

NASA TECH BRIEF

Langley Research Center



NASA Tech Briefs announce new technology derived from the U.S. space program. They are issued to encourage commercial application. Tech Briefs are available on a subscription basis from the National Technical Information Service, Springfield, Virginia 22151. Requests for individual copies or questions relating to the Tech Brief program may be directed to the Technology Utilization Office, NASA, Code KT, Washington, D. C. 20546.

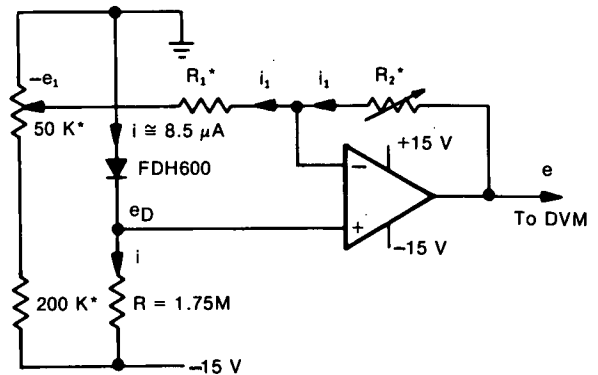
Simple Temperature Sensor With Direct Readout

A new temperature sensor is easy to construct, requires only one operational amplifier, and has very fast response. It provides direct readout of temperature on a digital voltmeter (a scale factor of precisely 100 K per volt for example). Parameters can be changed to give different scale factors (e.g., 10° C or 10° F per volt). The system is capable of accuracy to $\pm 0.1^\circ$ C, if calibrated over the range of 0° to 40° C.

This sensor could be applied in any instance requiring fast response and a direct temperature indication. This could be in a temperature-controlled oven or any other place where a small diode could be placed in contact with an object to determine its temperature.

A silicon diode (Fairchild FDH600) can be used as the temperature sensor because the forward voltage across the diode is a nearly linear function of temperature, from cryogenic temperatures (e.g., 77 K) to above 300 K, provided that the forward current in the diode is constant. Data from tests of a diode operating at 8.5 μ A current reveal that the voltage is linear with temperature to about $\pm 0.1^\circ$ over a range of 0° to 40° C (i.e., 273 to 313 K). Linearity is poorer when the range is extended further, about $\pm 1.0^\circ$ over the range of 77 to 313 K.

The schematic diagram is of a circuit for supplying approximately constant current to the diode and includes an operational amplifier that performs a simple analog operation on the diode voltage, such that the output of the amplifier is a voltage that is directly proportional to the diode temperature in degrees Kelvin. Resistance values may be chosen to select a suitable scale factor for 100 K per volt, the temperature is 100 times the indicated output voltage). A digital voltmeter (DVM) is used as an indicator, and a ± 15 -V regulated supply is used for the operational amplifier, the DVM, and the Diode bias.



Note: All Resistances Are in Ohms.

$$i \cong \frac{15}{R} \cong 8.5 \mu\text{A}$$

$$i_1 = \frac{e_D + e_1}{R_1} = \frac{e - e_D}{R_2}$$

$$\therefore e = e_D \left(1 + \frac{R_2}{R_1}\right) + \frac{R_2}{R_1} e_1$$

* - Low Tempco

Diode Circuit for Temperature Sensor

Test data also show that the voltage drop across the diode is not too sensitive to current changes. Typically, a 1-percent change in diode current produces only a 0.4-mV change in voltage. For this reason the simple circuit shown is adequate for ± 0.1 K accuracy over the range of 273 to 313 K. A greater temperature range is obtained by adding an additional operational amplifier to form a constant-current regulator, thereby holding diode current strictly constant over the whole temperature range. A slight nonlinearity in the diode characteristic will degrade accuracy as the temperature range is increased.

(continued overleaf)

Note:

Requests for further information may be directed to:

Technology Utilization Officer
Langley Research Center
Mail Stop 139-A
Hampton, Virginia 23665
Reference: B75-10260

Patent status:

Inquiries concerning rights for the commercial use of this invention should be addressed to:

Patent Counsel
Langley Research Center
Mail Stop 313
Hampton, Virginia 23665

Source: Allan W. Love of
Rockwell International Corp.
(LAR-11818)