

MECHANIZATION OF AND EXPERIENCE WITH A
TRIPLEX FLY-BY-WIRE BACKUP CONTROL SYSTEM

Wilton P. Lock and William R. Petersen
NASA Flight Research Center

and

Gaylon B. Whitman
Sperry Flight Systems Division

SUMMARY

A redundant three-axis analog control system was designed and developed to back up a digital fly-by-wire control system for an F-8C airplane. Forty-two flights, involving 58 hours of flight time, were flown by six pilots. The mechanization and operational experience with the backup control system, the problems involved in synchronizing it with the primary system, and the reliability of the system are discussed.

The backup control system was dissimilar to the primary system, and it provided satisfactory handling through the flight envelope evaluated. Limited flight tests of a variety of control tasks showed that control was also satisfactory when the backup control system was controlled by a minimum-displacement (force) side stick.

The operational reliability of the F-8 digital fly-by-wire control system was satisfactory, with no unintentional downmodes to the backup control system in flight. The ground and flight reliability of the system's components is discussed.

INTRODUCTION

A control system consisting of a primary digital fly-by-wire system and a dissimilar triplex analog backup system was flight tested in an F-8C airplane by the NASA Flight Research Center. The mechanical linkages of the original F-8C control system were removed except for cockpit stick and pedal centering and feel. A single channel digital computer, the associated electronics, a power-generating system, and electrohydraulic secondary actuators made up the primary control

system. A triplex backup control system provided the redundancy required for manned flight and gave the total system two-failure-operate reliability.

The main components of the backup control system were the sensors, the electronics, and the secondary actuators. The system was analog for signal processing, had no feedback for stability augmentation, and was designed to provide emergency return-home capability with airplane handling qualities equal to those of the basic F-8C airplane. The F-8C airplane can be flown through most of its flight envelope without augmentation.

This paper describes the backup control system and its integration with the primary control system, which is described in detail in reference 1. The mechanization of and operational experience with the primary and backup control systems are discussed. Some aspects of the primary and backup control system design were unique; however, many of the design features would apply to fly-by-wire control systems in active control aircraft. The reliability of the total system during the program is described.

A limited flight test evaluation of the backup control system was conducted using a minimum-displacement (force) side stick controller for pitch and roll control. These evaluations represent most of the maneuvering experience with the backup control system.

DESIGN FEATURES

The backup control system was designed to provide redundancy for the F-8 digital fly-by-wire control system. It was a triplex analog fly-by-wire control-stick-to-control-surface system in which the electronic trim, sensor and electronics equalization, primary control system synchronization, and servo and electronics monitoring were independent of the primary control system. The system incorporated several innovations that are common in modern electronics equipment but not as common in airplane control system hardware. These design features are described in the following sections.

A functional block diagram of the F-8 digital fly-by-wire control system is presented in figure 1. The upper portion of the figure is the primary control system, and the lower portion is the backup control system. The secondary actuators are shared between the primary and backup systems, and the primary control electronics provide the interface between the digital-to-analog converters of the primary system. The secondary actuators and the synchronization between the primary and backup systems are also discussed in this paper.

Triplex Channels

The backup control system consisted of three identical computing channels, one for each airplane control axis. The system provided an interface between the

triplex control stick and pedal position sensors and the triplex servovalves. In addition, the three backup control system channels, including the sensors, electronics, and servos, were powered by three isolated power busses that were connected to a common power source.

The servo commands, which consisted of stick and pedal commands that were summed with the trim and equalization signals, were processed by voters in each channel to insure that the three backup channels tracked. The voter selected the middle value of the three channel commands to drive the control valve in each channel. For certain types of failures in the voter, actuator, or servo electronics, the failed channel would be detected and the servovalve associated with the failed channel would be disengaged. Therefore, the backup control system was operational after one or more failures.

Synchronization

An integrator in each axis of the three backup control system channels provided electronic trim, equalization, and synchronization. When a primary channel was engaged, the backup control system servo commands were synchronized with the primary servo commands with these integrators. These inputs to the backup control system voters tracked the primary channel servo commands, even though variations in control sensor outputs and in intersystem control laws existed. Continuous synchronization of the backup with the primary control system was necessary to minimize control surface transients during the switchover from the primary to the backup control system. Switchover occurred if there was a failure in the primary system or if disengagement was commanded by the pilot. The synchronization network had a bandwidth of approximately 2.5 hertz.

Equalization and Trim

When the backup control system was engaged, the integrators performed the backup control system trim and equalization function. Trim was accomplished by applying a fixed reference to the integrator, changing trim at a fixed rate. The integrator output was then summed with the control stick or pedal position inputs to form the total surface command. Since the trim inputs, sensor position inputs, and electronic gains were not necessarily the same in each backup control system channel, equalization was included to reduce errors between channels. Limited equalization, combined with the voters, produced essentially identical channel servo commands to the three backup control system servovalves and minimized the force fight between the secondary actuator pistons.

The trim and equalization functions required a low or zero drift integrator. The backup control system integrator design, which was classified as having zero drift, used digital techniques to accomplish the zero drift or memory function and analog techniques for the integration function.

Backup Control System Monitoring

Electronic and servo signals were monitored at two points within the backup control system. The channel voter output was compared with the voter input. If the signal difference was greater than the set threshold, the monitor was latched and the electronic channel was reported failed.

The other monitoring point was the backup control system servos. Backup control system servo monitoring was accomplished by cross-channel comparison of the differential pressure signals from each of the three servovalves. This detected excessive force fights within the backup control system servos. A preset difference in two of the three differential pressure signals resulted in latching the common servo monitor, disengaging the failed servo, and reporting the failure to the pilot. When a failure was detected and the failed servo disengaged, the resulting surface transient was minimized by the operating characteristics of the force-summed actuator.

Self-Test Procedure

Preflight testing was accomplished by an automatic self-test procedure that provided a pseudo-end-to-end testing of the system. The self-test involved the introduction of a logic-controlled stimulus and the disabling of circuit functions and used in-flight monitors to indicate the response. The use of the in-flight monitors as the self-test feedback elements served to check the channel signal paths and the operation of the in-flight monitors. This resulted in a "bang-bang" type of test with no indication of system degradation.

A block diagram of the self-test unit is shown in figure 2. The power for the self-test was routed to the computing electronic assemblies only after the self-test power switch was closed and the self-test start switch was depressed. A counter started to count and addressed the read-only memory, which was preprogrammed for each particular test to activate certain stimuli and disable certain circuits in the electronic assemblies. The test results were compared with the predicted results, which were stored in the read-only memories in the diagnostic analysis circuitry. The self-test automatically stepped to the next test if the test results were as predicted. This procedure was repeated with different combinations of stimuli and disabling circuits active until the test was complete and a GO signal was reported in each airplane control axis.

If the test results from the electronic assemblies were not as predicted, the test sequence was stopped and a diagnostic routine was initiated. The diagnostic analysis circuitry analyzed the test results with respect to the predicted results to determine where the failure occurred. The diagnosis was indicated on the self-test diagnostic readout.

Status Engage Panel

The status engage panel was in the left cockpit console. It housed all the servo engage switches and servo status lights and indicated the status of the

backup control system electronics. The panel also contained the self-test program, power switch, and diagnostic readout to indicate a failed self-test condition or satisfactory completion of the self-test. The servo switches were three-position positive-action switches labeled Auto-Off and Manual. Even though five secondary actuators were utilized for the three control system axes, only three switches and servo status lights were used for the three primary control channels, whereas individual channel switches and status lights were mechanized for each backup control valve. The lights indicated when the various comparator networks had exceeded preset values. The light was also a reset switch that sent a reset pulse to its comparator. The servo status lights for backup servo systems 2, 3, and 4 lit up after any two common comparators tripped. That is, the left pitch 2-3 comparator and the left pitch 4-2 comparator lit the left pitch number 2 light when both comparators tripped. The logic for the primary control system pitch servos was that if either the left or the right pitch channel indicated failure, the number 1 pitch status light lit, and control was switched from the primary to the backup control system. The servo system logic was designed to provide a manual override capability for any channel per actuator regardless of the remaining servo system switch positions.

SYSTEM COMPONENTS

The approximate locations of the control system components in the F-8 digital fly-by-wire test airplane are shown in figure 3. As might be expected, using the F-8C airplane as a test-bed resulted in some design problems that were unique to the F-8C configuration. A major problem was the requirement for different control gearing for the wing-up (approach and landing) and wing-down (cruise) positions. A pair of dual wing potentiometers was mounted to provide an electrical signal proportional to wing position to droop the ailerons for flaps and to provide automatic trim of the horizontal tail. Other system components that provided control, signal conditioning, and actuation are described below.

Control

Stick and pedal transducers. — Two transducers that each contained triplex redundant linear variable differential transformers (LVDT's) were connected to the existing F-8C flight control linkage to provide electrical signals as functions of the pilot's stick and rudder commands. One transducer was provided for the primary control system, and one was provided for the backup control system for each airplane axis of control. The pitch transducers were on the right and the roll transducers were on the left side of the airplane underneath the primary flight pallet. Because of rudder cable stretch, the two rudder transducers were installed in the base of the vertical tail.

Each transducer assembly contained isolated sensors for excitation and signal output to drive as many as three separate control paths. All the transducers were linear, except for the pitch transducers for the backup control system, and all had an electrical stroke of ± 1.5 centimeters. The pitch transducer for the backup control system transducer had a special winding to provide parabolic stick shaping.

Stick and pedal gearing. — An attempt was made to duplicate the control authority and gearing of the original F-8C airplane in the F-8 digital fly-by-wire airplane. The final gearings are shown in figures 4(a) to 4(c) for the pitch, roll, and yaw axes.

The data presented in figure 4(a) indicate that there was reasonable agreement between the pitch stick gearing of the fly-by-wire airplane and that of a conventional F-8C airplane. Only the wing-down data are presented for zero trim command. With the wing in the up position, the horizontal stabilizer surface was biased 5° from the wing-down position, and the zero stick position corresponded to zero surface position.

Figure 4(b) shows the left aileron position as a function of lateral stick position for a wing-down and a wing-up configuration with zero trim command. The gradients are nearly the same for all backup control system commands except for the wing-up right stick command, where the gradient is higher than in the conventional F-8C airplane. The fly-by-wire gradients were symmetrical for both wing positions, whereas the wing-up gradient was not symmetrical (differential aileron) for the conventional F-8C airplane. The aileron did not move down as far as it moved up for a given stick command.

Figure 4(c) shows rudder displacement as a function of pedal force. Gradients are shown for the wing-up and the wing-down configurations. The higher gradient was used with the wing-down configuration. The pedal forces were provided by the existing F-8C mechanism. The gradients show good agreement for both wing positions. The backup control system deadband was slightly larger.

Side stick. — The side stick sensor flight tested during the program was a two-axis, four-channel, minimum-displacement transducer. The principal of operation for the transducer was that an applied force at the stick grip caused a flexure-supported tube assembly to move quadruplex LVDT's that generated a voltage proportional to the applied force. The side stick transducer was recessed in the right cockpit console to allow the pilot to sit comfortably in the seat with his arm in a natural position.

Side stick gradients. — The side stick gradients flight tested are shown in figures 5(a) and 5(b) for the pitch and roll axes, respectively. Figure 5(a) shows the pitch stick force as a function of elevator surface position for both wing positions. The circuit mechanization consisted of a deadband, a low gradient, and a high gradient for both a pull and a push force. The variable high gradient was mechanized to function only with the wing down, and it was controlled by a switch in the cockpit. In figures 5(a) and 5(b), switch positions increase with increasing stick gradient. The side stick authority was always less than the center stick authority.

Electronics

Backup control system. — Three identical backup control system electronics boxes were the heart of the backup control system. Each box contained all the

signal processing, engage logic, monitoring, and dc power necessary for a single backup control system channel in the pitch, roll, and yaw axes. A block diagram of a single channel in the roll axis (channel 3) is shown in figure 6. Except for scaling, trim rate, and the gearing change with wing position, the network for the pitch axis was basically the same. The yaw axis differed in scaling and trim rate, and a limiter was added just after the voter. The voter output drove only one actuator network.

Figure 6 shows one electrical comparator across the voter and a single comparator across each backup valve. In total, there were eight comparators per backup control electronics box. The trip level of the electrical comparators was set at 3.0 volts, which was approximately one-third the maximum voltage for each axis. This corresponds to a stick displacement of approximately 2.5 centimeters for roll and 5 centimeters for pitch. The differential pressure comparators were set to trip at 2.4 volts, which represents a differential pressure error of 8273 kN/m^2 .

Primary control electronics.— The primary control system electronics box contained the signal interface between the computer's digital-to-analog converter outputs and each secondary actuator for the airplane's pitch, roll, and yaw axes. A simplified block diagram of a typical primary signal circuit is shown in figure 7. For each control axis, there were two identical signal paths, the active and monitor channels, from the computer to the control valves of the respective secondary actuator. The primary control electronics box contained two 5-hertz second-order smoothing filters in each of the three axes. Follow-up signals from the secondary actuator were biased with the wing position voltage for the pitch and roll actuators. The signal was then divided for summing and sent directly to the monitor servo amplifier or quadruplex voter and processed with the three comparable signals from the backup control system. In conjunction with the hydrologic comparator, this provided hard-over protection from open servo follow-up signals.

The primary control electronics box also contained engage logic, monitoring, and the dc power supply for the box and the primary secondary actuators. A separate return comparator was used to monitor the difference between comparable points in each axis of the primary and backup control systems. When the error was greater than 3° , 4° , and 3° for the elevator, aileron, and rudder, respectively, the primary control system could not be engaged. However, the backup control system could always be selected.

Side stick electronics.— The installation of a side stick required additional electronics that could not be readily added to the backup control electronics boxes. Therefore, the additional electronic networks needed to provide demodulation, deadband, shaping, and gradient (fig. 8) were mechanized to interface between the side stick transducer and the backup control electronics boxes. The triplex electronics concept was maintained from sensor output to the appropriate channel sum points in the backup control electronics boxes.

Secondary Actuators

The secondary actuator (fig. 9) was a four-channel electrohydraulic actuator designed to convert electrical signals to surface motion and to have two-fail-operate

capability. There were five secondary actuators: two for roll, two for pitch, and one for yaw. The mechanization of the secondary actuator was an active/standby configuration which consisted of two valves in the active configuration and three valves in the standby configuration. The secondary actuator was designed to be controlled by any of the four electrohydraulic control channels. Each primary channel commanded one active valve to position the actuator; the second valve, in conjunction with the hydrologic failure detection network, was used for self-monitoring. The actuator standby or backup channels commanded by the backup control system consisted of three force-summed channels with electronic failure detection.

Two-stage flapper nozzle servovalves were used for the primary system active and monitor valves. During normal operation, these valves received separate commands, and the active valve positioned the actuator ram as required. The failure detection for the primary control system was provided by a hydraulic comparator network. A comparator spool was balanced between the force exerted by two springs and the output pressures from the active and monitor spools. If a pressure difference beyond a predetermined threshold existed, motion of the comparator spool dumped the supply pressure to the return line, which caused the primary engage valve to reposition and block the commands from the active servovalve. Errors that could cause the hydrologic comparator to trip were measured in terms of either single control surface deflection or commanded current. These were 4° , 4° , and 1.5° for the elevator, aileron, and rudder control surfaces, respectively, or one-half the maximum valve current.

A dual pressure switch was installed in the primary hydraulic circuit of each secondary actuator to sense minimum pressure. The switch caused the primary servo system to disengage at 4137 kN/m^2 , and a pressure of at least 5516 kN/m^2 was required for manual reengagement. When the primary channel tripped, the pressure switch opened, which caused the engage logic to automatically energize the three solenoids in the backup control system and to transfer control to the three single-stage jet pipe servovalves (servo systems 2, 3, and 4).

The backup system servos were monitored by differential pressure transducers that were installed across the output legs of each jet pipe servovalve. Each differential pressure signal was compared with the other two differential pressure signals for each actuator. The comparison was made in the backup control electronics boxes.

The secondary actuators were modular in construction and were designed around three tandem pistons on a common shaft. The primary channel and one backup control system channel shared one of the piston networks, and the remaining pistons were controlled by the other two backup systems. Each secondary actuator was supplied by two separate hydraulic systems. Figure 9 shows the secondary actuator mechanization in the primary configuration.

The figure shows that the valve outputs of backup channels 2 and 4 were blocked by separate hydraulic engage valves and that the cylinders bypassed fluid as the ram moved. Backup channel 3 was blocked by an engage valve with a slightly different design.

The servo position loop was closed electrically for each channel in the elec-

tronics boxes. The electrical signal utilized for the servo ram position came from the quadruplex redundant LVDT in each servo actuator shaft. The stroke of all the secondary actuators was 5 centimeters, and by utilizing the necessary mechanical linkage, the desired control surface rotation was obtained for all five surfaces.

Response characteristics.— Ground test data were taken for each actuator with different valve combinations. The performance of each secondary actuator was a function of the engaged servovalves. The primary valves had much higher response than the valves used in the backup servo systems (systems 2, 3, 4), but because of hardware problems (ref. 2) the primary servo amplifier gain was lowered.

A typical frequency response curve of the elevator secondary actuator with the primary servovalve in control is shown in figure 10. The figure compares the flight tested servo amplifier gain, 5 milliamperes per volt, with the designed servo amplifier gain of 22 milliamperes per volt. Even though the pitch servo bandwidth flight tested was 6 hertz, the addition of a second-order filter reduced the effective servo bandwidth to 2.5 hertz. The total bandwidth of the filter, secondary actuator, and elevator power actuator was 1.5 hertz for an elevator surface amplitude of 1° peak to peak, normalized at 0.5 hertz.

The frequency response of the same pitch secondary actuator when controlled by the backup control system valves is shown in figure 11. Data are compared for two valve drive configurations. One data set was obtained with a single backup control system channel valve in control of the secondary actuator. The other data set was obtained with all three backup valves in control. The single backup control system channel bandwidth was 7 hertz, and the bandwidth of the three backup control system channels was 13 hertz. All three backup control system channels per airplane control axis had the same servo loop gain, which indicates that the performance increase was a result of the force summing of the secondary actuator pistons.

Hysteresis.— Hysteresis measurements were also taken for each secondary actuator for the various valve drive combinations. The data were obtained by driving the appropriate servovalves with a signal generator set at 0.01 hertz. For example, the hysteresis of the elevator secondary actuator for the primary channel (fig. 10) was 0.44°. By increasing the loop gain, this value could be reduced to 0.13°. The equivalent measurements for the two backup control system conditions presented in figure 11 are 1.10° for the single-channel drive configuration and 0.47° for the three-channel drive configuration.

A minor item of interest pertaining to the secondary actuators was observed during single channel operation with the backup control system. Even though the electrical commands to each paired surface, such as the aileron and elevator, were the same, the control surfaces did not track each other during large control cycles. This was caused by the component offset characteristics in the servo loop as well as by the seal friction of the respective actuator channel. A given servo system took more current to retract the ram for the left control surface than the right control surface and less current to extend the left than the right. From outside the airplane the control surfaces did not appear to track. This was most noticeable with the elevator surfaces. This condition existed with every actuator, and there was no way to adjust the offset. When additional servo systems were engaged, the condition was

minimized and the agreement between the deflections of the paired surfaces was good.

The condition was not apparent with the primary control system engaged because of the higher bandwidth servovalve and pressure gain.

Electrical Power

The electrical power for the operation of the F-8C aircraft was supplied by the main generator power package. This unit was comprised of ac and dc brushless generators that were mounted on a common shaft, regulators for the generators, an air turbine motor, and the necessary reduction gears. Energy for the turbine was supplied by high pressure bleed air from the engine. The ac generator was rated at 12 kilovolt amperes at 115 volts and 400 hertz. The dc capacity was 68 amperes at 30 volts. An emergency power package supplied backup electrical power as well as a hydraulic pump driven from a ram air turbine. The capacity of this unit was 30 amperes of dc and 4.2 kilovolt amperes of 400-hertz power. Figure 12 shows the power distribution system of the F-8 digital fly-by-wire airplane.

The power requirements of the fly-by-wire system were determined by the characteristics of the Apollo equipment. This equipment limited the ripple, spike, and surge voltages on the nominal 28-volt bus to a maximum of 32.5 volts and a minimum of 24.5 volts, with a peak current demand of 60 amperes. These requirements, in addition to a requirement for an estimated 30 amperes for the backup control system, made it necessary to install an additional power source in the airplane. Therefore, a direct-drive, 100-ampere, 32-volt dc flight control system generator was mounted in the nose cone of the engine. The voltage regulator was set to provide 28-volt power at the primary (number 1) bus. To give the additional protection required by the Apollo equipment, zener diodes and a 55,000-microfarad capacitor were placed on the number 1 bus. Flight control system power was controlled from the cockpit through normally closed power relay contacts. A warning indicator informed the pilot of loss of generator power.

To provide the necessary redundancy, 28-volt power was divided into four separate busses by isolation diodes and circuit breakers (fig. 12). Each bus, one for the primary system and one each for the triply redundant backup control system, had a 24-volt, 11-ampere-hour nickel cadmium battery as an alternate source of power. Backup control system batteries were always on the line, and they were kept fully charged by a constant trickle charge. They could provide power for a minimum of 1 hour after the loss of the flight control system generator. For additional protection, it was made possible for the pilot to place the main dc generator on the backup control system busses with normal loads reduced. To assist the pilot in monitoring the condition of the backup control system battery, a battery capacity meter was installed in the cockpit. This device measured current flowing into or out of the battery in terms of percent of full charge. It was not intended for the number 1 battery to supply the primary system with power for more than a few minutes. Its sole purpose was to aid in the stabilization of the bus voltage and to allow operation during temporary power interrupts like those that occurred during bus switching. For the protection of the number 1 battery, a circuit was installed to remove the battery from the bus whenever voltage dropped below 20 volts.

OPERATIONAL EXPERIENCE

The first operational experience with the F-8 digital fly-by-wire control system was acquired during the integration and checkout of control system components in an iron bird simulator (ref. 1). The simulator was used to fine tune the control system to give it the necessary authority, trim rates, servo loop gains, and comparator trip levels. Before the first flight, the entire flight control system was subjected to an extensive ground test program that lasted 7 months. During this period, two major hardware changes were made. Because of the nonlinear characteristics of the Apollo hardware (ref. 2) unacceptable noise was transmitted to the secondary actuators. A second-order filter network was installed to smooth the primary system electronics. The backup control system integrators were changed to digital from analog because of drift.

Backup Control System Flight Evaluation

Before the first flight, the backup control system was tailored to the primary channel gearing and trim rates in each airplane axis. The flight controllability of the primary control system and the backup control system was evaluated on the simulator. Since the sole purpose of the backup control system was to provide an emergency return-home capability if the primary system became inoperative, the flight testing of the backup system was minimal. The testing did insure that the backup system would provide acceptable controllability, and at least once per flight the F-8 digital fly-by-wire control system was downmoded to the backup control system to perform an inertial measurement unit alignment. This was done in level flight.

Center stick. — The piloting tasks used to evaluate the backup control system with the center stick paralleled those used to evaluate the primary control system in the direct mode. The evaluation maneuvers included routine flying while evaluating gross and fine control maneuvers, formation flight, and gunsight tracking. The low-speed evaluations included ground control approaches. The first flight evaluation took place at speeds between 275 and 300 knots indicated airspeed with routine flying maneuvers. The pilot comments indicated that roll response was adequate and pitch control was good at these flight conditions. The airplane also exhibited satisfactory handling qualities and control power in the landing approach. During subsequent flights, the airplane seemed sensitive in the roll axis, and in a more demanding control task, that is, formation flight, the pilot indicated that airplane roll response became too oscillatory. He assigned the task a pilot rating of 6 on the Cooper-Harper scale (ref. 3). The lateral sensitivity problem was reduced by adding electrical deadband to the roll stick command signals. The modification yielded the roll gearing shown in figure 4(b). Even though the backup control system roll gearing was approximately the same as that in a conventional F-8C airplane, some pilots commented that the airplane rolled a little faster than they liked for a given stick displacement at 300 knots indicated airspeed. However, they felt that the roll response was not overly sensitive. A viscous damper was added to the aileron stick linkage to improve the dynamic stick characteristics for both the primary and the backup control systems.

For the first eight flights of the F-8 digital fly-by-wire airplane, a linear transducer was used in the pitch axis of the backup control system. As flight speeds increased, a longitudinal sensitivity problem was observed by the pilot in both the primary and the backup control systems. This problem was solved by reducing the slope of the curve around zero but maintaining the previous control authority. Because of the inflexibility of the design of the backup control electronics boxes, nonlinear characteristics were obtained by having a stick transducer manufactured that was similar to the original but gave the desired curve shape. The pitch modification and appropriate scaling change in the backup control electronics boxes resulted in the backup control system pitch gearing presented in figure 4(a). Subsequent flight evaluations indicated that control was satisfactory in cruise as well as in the landing approach. In normal flight, the airplane's control characteristics with the backup control system were similar to those in the primary control system's direct (unaugmented) mode. For maneuvers that required large changes in pitch, however, such as gunsight tracking during windup turns, the pilots preferred the backup control system to the primary control system because of its smoother pitch response. The characteristics of the primary channel were poorer because of stick quantization (ref. 4).

The trim switches for the backup control system pitch and roll axes were on the left cockpit console just forward of the throttle control. During the evaluation of the backup control system, it became apparent that the location of the trim switches was undesirable. One pilot rating was at least one number higher (poorer) because of the additional workload due to this location. Beginning with the side stick evaluation phase of the flight testing, the backup trim was activated from the conventional center stick trim switch.

Side Stick. — The side stick was evaluated primarily by two pilots during six flights. Six other flights were flown by four pilots who were evaluating other features of the control system. Although the side stick gradients were not optimized, the side stick controller was considered to be of interest in the overall control system evaluation. Side stick evaluation tasks included formation flight, gunsight tracking, mild aerobatics, ground control approaches, landing, and takeoff. Since takeoff was considered the most uncertain phase of flight, it was performed only after side stick control was evaluated in a high pilot gain task during up and away flight. During the 12 evaluation flights, three takeoffs and seven landings utilizing the side stick controller were made.

The stick gradients selected for flight test were based upon the six-degree-of-freedom simulation results obtained with the iron bird simulator. The stick-to-surface gradients were selectable, as shown in figures 5(a) and 5(b). The wing-down gradients selected by most of the pilots were position 1 in pitch and position 3 in roll. The roll gradients were not changed during any of the flights, whereas a slight change was made in the pitch axis. The original transition, or knee, of the curve between the low and high gradients was at approximately 36 newtons, and this value was increased to approximately 57 newtons for the last three flights.

All the pilots adapted easily to the side stick controller in flight after practice on the simulator. They all commented on the sensitivity of the pitch axis, particularly in high pilot gain tasks like formation flight. The center stick was also somewhat sensitive, but the excursions were lower in amplitude. Some of the pilots

tended to fly both pitch and roll with a pulsing type of input. Most pilots tended to hold a nose-up stick force during the various maneuvers. The value they used was approximately 23 newtons, which was outside the stick deadband. One of the six pilots noted arm fatigue after a flight in which he evaluated side stick control. Several pilots rated the formation flight control task 3 to 5.

As discussed in reference 5, gunsight tracking was typified by good to excellent control over the lateral-directional axis and continuous pitch oscillations caused by pitch commands that were too abrupt. Crosstalk was absent in the tracking task. A comparison between a side stick-controlled and a center stick-controlled tracking run showed a higher frequency output from the force side stick, indicating a higher pilot workload.

The wing-up stick force gradients were evaluated in the power approach configuration for pitch out maneuvers and ground control approach patterns. Many of the approaches were flown in light turbulence, which seemed to have little adverse effect on control. Pitch and roll control was adequate, and pilot ratings ranged from 2 to 4 for the landing approach task.

Synchronization Performance

An important design requirement for a backup control system is that it track the primary system closely to minimize the switching transients. Therefore, synchronization networks were used to keep the systems synchronized. During every flight, the primary system was downmoded to the backup control system at least once to align the inertial measurement unit in level flight.

Thus, downmoding to the backup control system was checked approximately 40 times. The surface transients were always less than 1° . The transients observed during these downmodes were caused primarily by the differences in null between the primary and the three backup servovalves of each secondary actuator. Overall, the system's static performance was good.

Simulation studies on the iron bird simulator showed that the synchronization network bandwidth of 2.5 hertz provided satisfactory backup control system tracking of the primary system for all except abrupt stick commands. The simulator studies also indicated that the synchronization/trim network characteristics could produce a large out-of-trim condition during a dynamic downmode if stick or pedal commands were being applied. The corrective action was to trim out the stick or pedal signal present at the time of the downmode.

Trim

The backup control system was mechanized with a digital integrator for trimming the backup control system and for synchronizing the backup control system with the engaged primary system. Since the control systems had to be synchronized over the full authority of the control surfaces, the integrator had to be scaled for full control authority. This resulted in an integrator resolution of 0.18° , 0.30° , and 0.20° for

elevator, aileron, and rudder, respectively. Trimming a control surface became a stepping operation and was not precise.

Hydraulics

The conventional F-8C hydraulic systems were not changed except for the addition of the F-8 digital fly-by-wire secondary actuators. Two hydraulic pumps each delivered a maximum of 45 liters per minute at a nominal pressure of 20,684 kN/m². This capacity was marginal during two operations. At idle power, the hydraulic flow was inadequate to support preflight self-tests. A power setting of 80 percent proved to be satisfactory and was used for airplane ground checks. The self-tests were designed to operate in all three axes or one axis at a time. The latter procedure was used most often, although the three-axis tests were completed in approximately 4 minutes. During landing at idle power, high control surface activity caused the hydraulic pressure to drop, which caused the secondary actuator pressure switches to downmode the F-8 digital fly-by-wire system from the primary to the backup control system. This occurred during two landing rollouts, but no control system transients were observed by the pilot.

CONTROL SYSTEM RELIABILITY

The primary and backup control systems operated approximately 2500 hours during the fly-by-wire program, including both aircraft and iron bird operation, without any major problems. Six evaluation pilots flew the F-8 digital fly-by-wire airplane 42 times for a total flight time of 58 hours. Because of its length, the program was not expected to establish a level of confidence in fly-by-wire control systems, but it did constitute a first step toward developing such confidence. From the first flight, the airplane was flown with a control system that had no mechanical backup or reversion capability. During the evaluation flights, there were no system failures that could be attributed to the fly-by-wire aspect of the digital flight control system. There were no electronic failures in flight in either the digital primary system or the backup control system. There was one hydraulic line failure that reduced the total system redundancy level from four channels to two channels, but flight was no more critical than it would have been if a similar failure had occurred in a standard F-8C airplane. This is discussed in more detail below.

In addition to the reliability of the total system, it is important to discuss the reliability of the elements of the system. Table 1 summarizes the discrepancies that occurred in the F-8 digital fly-by-wire control system. The table includes the discrepancies experienced with the iron bird simulator as well as those experienced with the F-8 digital fly-by-wire airplane. Discrepancies observed during ground operation, preflight testing, and in flight are listed by major system component. A discrepancy was any system operation that appeared to be abnormal. Some were minor transient effects that did not affect the system's performance or reliability. The number of discrepancies that required a repair or replacement action is indicated. Even if no repair was required, extensive tests were made to insure that the component in question performed as designed.

The discrepancies listed for the computer and related hardware, which are discussed in reference 4, are listed here to present an overview of the operational problems encountered during the program. A coolant system designed specifically for the Apollo system used on the F-8 digital fly-by-wire airplane caused one flight to be canceled before takeoff and one flight to be terminated early. The coolant system problem was attributed to lines that were frozen and did not permit the coolant to flow through the cold plates. When this occurred in flight, the coolant system was being monitored and the flight was terminated before it affected the control system. The pilot continued to fly on the digital primary system, and four channel redundancy was retained through landing. This problem was unique to the Apollo equipment and therefore would not be expected in production fly-by-wire systems.

Three power turn-on problems were observed, two with the backup electronics and one with the primary electronics. On one occasion, measurements indicated that the voltage supply for the primary electronics was not present. Recycling the power switch brought the power supply on line, and during subsequent testing the problem did not reappear. Laboratory testing did not reveal the cause of the problem, but a similar power turn-on indication was obtained by grounding either the plus or minus power supply.

Six failures due to open buffer resistors were recorded in the primary and backup electronics early in the program. It was discovered that the resistance wire in these resistors was affected by chemical or electrolytic corrosion. All the buffer resistors were replaced by a different type of resistor, and no other problems of this type were encountered. The other component failures listed were caused by an intermittently functioning capacitor, a failed zener diode, and an open transistor. None of these occurred in flight, and all were detected through normal testing procedures. During the flight program there were 12 backup electronic comparator tripouts, but the redundancy level of the total system was not affected. Ground checkout indicated that there were no failed components.

The secondary actuator discrepancies consisted of component failures, problems related to differential pressure, and differential pressure comparator tripouts. With 25 servovalves, 20 engage solenoids, and 20 differential pressure transducers in the airplane, occasional problems were expected. The servovalve was the only secondary actuator component to fail. Three such failures occurred in the aircraft system. They were detected during ground tests and repaired. If such a failure had occurred in flight it would have caused the loss of one of the four actuator channels.

As the table shows, the largest number of discrepancies occurred in the secondary actuator differential pressure network. Four aborted takeoffs were charged against the differential pressure network, as well as four in-flight and 26 preflight differential pressure comparator tripouts. Most of these discrepancies were classified as nuisance tripouts and occurred during control cycles whenever the primary system was engaged. All comparator tripouts were resettable by the pilot, and the total system's redundancy was not affected. Generally speaking, most of the differential pressure problems experienced were caused by a tracking error between the various differential pressure signals, which caused the servo comparators to trip. This frequently occurred at the maximum travel of the actuator, where the differential pressure signals were the highest. These nuisance tripouts were caused by a

combination of the various components' tolerances and valve nulls, and were predictable for certain stick motions. The problem could be resolved by adding nulling capability to the servo loop to balance the various differential pressure signals.

Another problem associated with the differential pressure monitoring system was the inability to detect some of the open failures. Unless the ram was stationary, it was difficult to develop the differential pressure necessary to disengage the faulty servo channel. As a result, a latent channel failure could occur in flight in the backup control system and not be indicated to the pilot. However, no such failures occurred during the program.

Six discrepancies were attributed to system wiring and aircraft power distribution. Four involved, respectively, a pin that was pushed back in a connector, a short-circuited cable clamp, a defective latching relay, and a faulty battery capacity meter. The faulty items were identified and repaired during the regular airplane preflight. Two flights were aborted because of aircraft power problems. One was due to a checklist error that allowed the flight control system generator to remain off, causing a low-voltage shutdown of the computer, and the other was due to a main generator failure. All those discrepancies were considered to be typical airplane operating problems and not unique to fly-by-wire control systems.

Four discrepancies that affected or would have affected the digital fly-by-wire system occurred in the aircraft hydraulics systems, and all required repair action. Hydraulic leaks that caused two flights to be cancelled were detected in the secondary actuators. During one flight, hydraulic oil was seen streaming along the outside of the airplane, and as a precautionary measure the flight was terminated and the airplane returned for a normal landing. During another flight, a hydraulic line ruptured, causing a loss of hydraulic pressure to backup channels 2 and 4. The hydraulic line was part of the basic F-8C hydraulic system that was not modified for the program. The loss of hydraulic pressure was detected by the pilot from the conventional F-8C hydraulic pressure gages and warning lights. The pilot terminated the flight and landed the airplane with the primary control system. Hydraulic line failures are rare but serious for flight control systems that depend on irreversible hydraulic actuators, such as those being used in all high-performance fighter and bomber aircraft and many new transport aircraft. Protection against hydraulic system failure is provided by using dual or triple hydraulic systems. Experience with aircraft that use irreversible actuators has shown the protection provided by this practice to be adequate.

As the table shows, similar operating problems were experienced with the iron bird control system. All the simulation systems were flight qualified and could be flown on the airplane except the mechanizations of the primary and backup electronics, which were not maintained with flight system quality control. The experience obtained during the almost 2500 hours of operating time on the iron bird and the F-8 digital fly-by-wire airplane is indicative of what could be expected of a similar period on the aircraft system.

Although many component discrepancies occurred during the program, they were detected by the monitoring system and testing procedures, and the reliability of the total system was maintained throughout the program.

CONCLUDING REMARKS

A digital fly-by-wire control system with a triplex analog backup control system was flight tested in an F-8C airplane. Six pilots logged 58 flight hours during 42 flights. The backup control system operated well in conjunction with the digital primary system and provided satisfactory handling qualities throughout the flight envelope evaluated. This experience showed that a dissimilar control system can be made to synchronize with the primary flight control system and provide satisfactory control during normal flight maneuvers.

A limited flight test program was flown to evaluate airplane handling qualities with a force side stick controller through the backup control system. Even though side stick force gradients were not optimized, the control of the airplane in a variety of control tasks, including takeoff, landing, and formation flight, was satisfactory.

The operational reliability of the digital fly-by-wire system, both primary and backup, was excellent. There were no downmodes from the digital primary control system to the backup control system in flight due to real or apparent system failures. Several component discrepancies occurred within the redundant system, but they did not affect the reliability of the total system. Most of the discrepancies were in the secondary actuator differential pressure network and were nuisance tripouts (capable of being reset) within the backup control system during large control inputs to the digital primary control system.

REFERENCES

1. Deets, Dwain A.: Design and Development Experience With a Digital Fly-By-Wire Control System in an F-8C Airplane. Preprint for Symposium on Advanced Control Technology and Its Potential for Future Transport Aircraft (Los Angeles, Calif.), July 9-11, 1974.
2. Deets, D. A.; and Szalai, K. J.: Design and Flight Experience With a Digital Fly-By-Wire Control System Using Apollo Guidance System Hardware on an F-8 Aircraft. AIAA Paper No. 72-881, 1972.
3. Cooper, George E.; and Harper, Robert P., Jr.: The Use of Pilot Rating in the Evaluation of Aircraft Handling Qualities. NASA TN D-5153, 1969.
4. Szalai, Kenneth J.: Flight Test Experience With the F-8 Digital Fly-By-Wire System — A Forecast for Active Controls. Preprint for Symposium on Advanced Control Technology and Its Potential for Future Transport Aircraft (Los Angeles, Calif.), July 9-11, 1974.
5. Krier, Gary E.: A Pilot's Opinion of the F-8 Digital Fly-By-Wire Airplane. Preprint for Symposium on Advanced Control Technology and Its Potential for Future Transport Aircraft (Los Angeles, Calif.), July 9-11, 1974.

TABLE 1.— F-8 DIGITAL FLY-BY-WIRE CONTROL SYSTEM DISCREPANCIES

| | Iron bird simulator | | F-8 digital fly-by-wire airplane | | | |
|---|---------------------|------------------------|----------------------------------|------------------------|----------------|-------------------|
| | Total discrepancies | Repair action required | Total discrepancies | Repair action required | Preflight | In flight |
| Primary system | | | | | | |
| Computer (program characteristics) | 4 | 0 | 6 | 0 | 0 | 0 |
| Related hardware - mode panel, stick transducer, pallet signal boxes, inertial measurement unit | 1 | 1 | 4 | 3 | 0 | 0 |
| Coolant system | 2 | 0 | 2 | 2 | a ₁ | a ₁ |
| Primary control electronics | | | | | | |
| Power | 0 | 0 | 1 | 0 | 0 | 0 |
| Components | 0 | 0 | 2 | 2 | 0 | 0 |
| Backup control electronics | | | | | | |
| Power | 0 | 0 | 2 | 0 | 0 | 0 |
| Components | 0 | 0 | 7 | 7 | a ₁ | 0 |
| Electronic comparator (tripouts) | 0 | 0 | 12 | 0 | 0 | 12 |
| Secondary actuators | | | | | | |
| Components | 6 | 5 | 3 | 3 | 0 | 0 |
| Differential pressure related | 2 | 0 | 5 | 4 | a ₄ | 0 |
| Differential pressure comparator (tripouts) | 0 | 0 | 30 | 0 | 26 | 4 |
| Aircraft and system wiring | 0 | 0 | 2 | 2 | 0 | 0 |
| Aircraft power | 0 | 0 | 4 | 3 | a ₂ | 0 |
| Aircraft hydraulics | 0 | 0 | 4 | 4 | a ₂ | a, b ₂ |

^aFlight terminated.

^bSystem redundancy reduced to two channels on one flight.

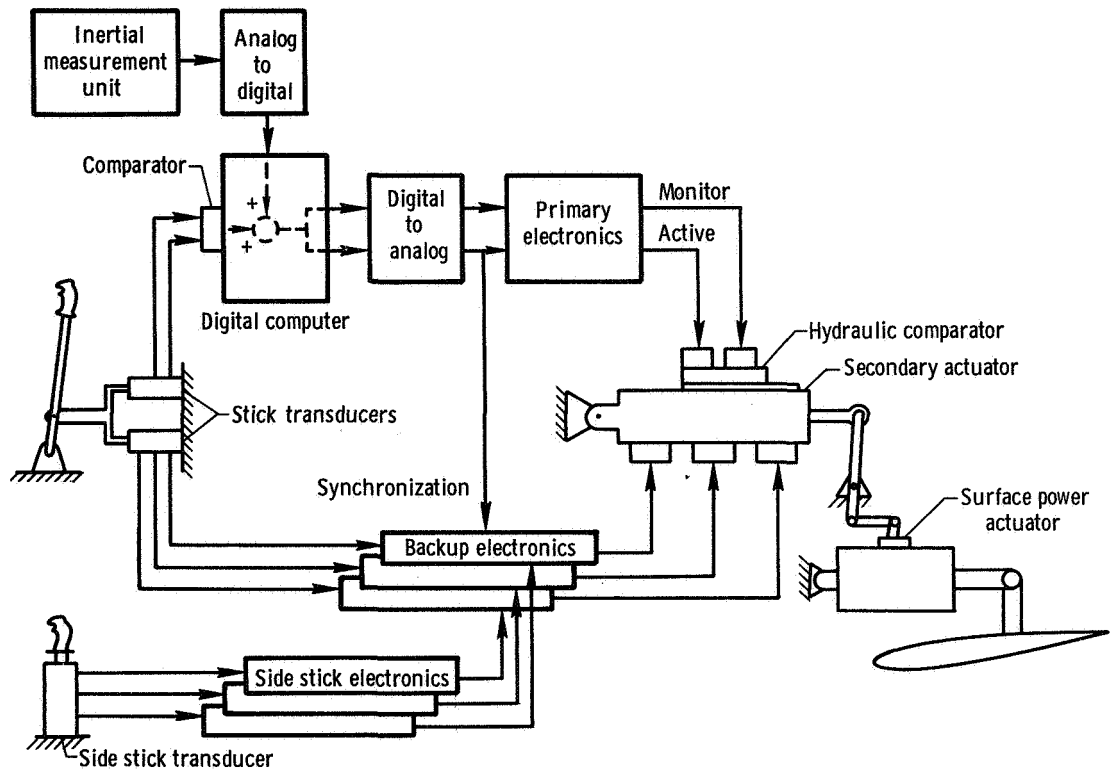


Figure 1. F-8 digital fly-by-wire control system.

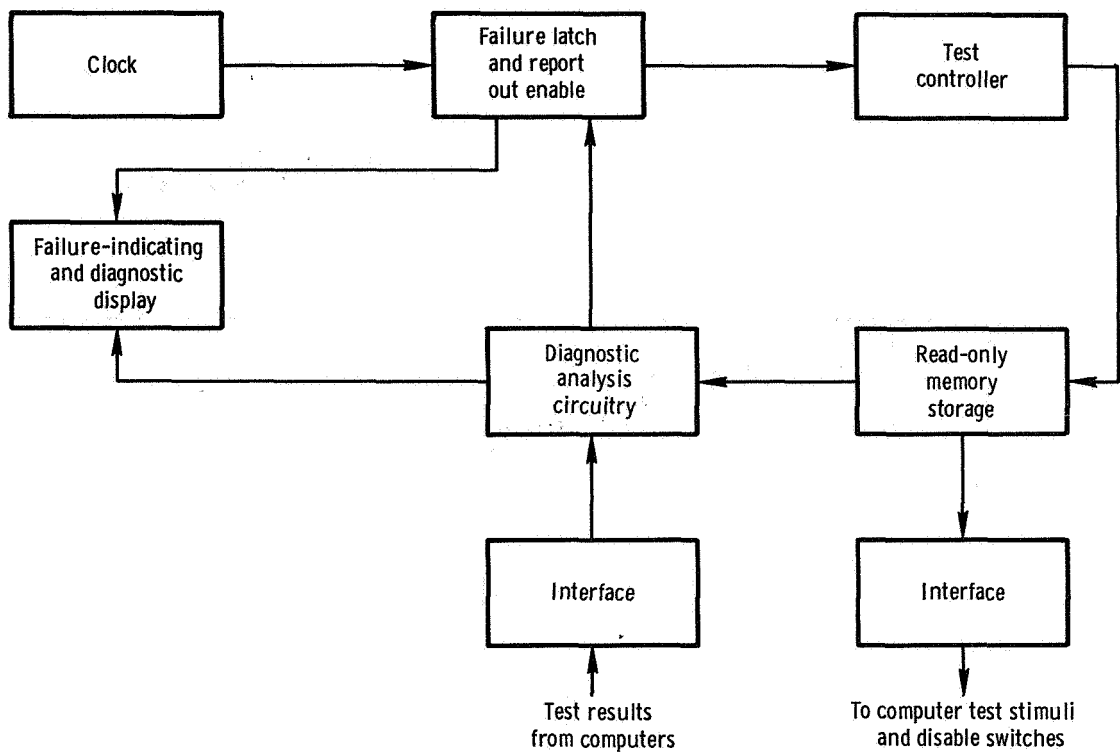


Figure 2. Self-test unit.

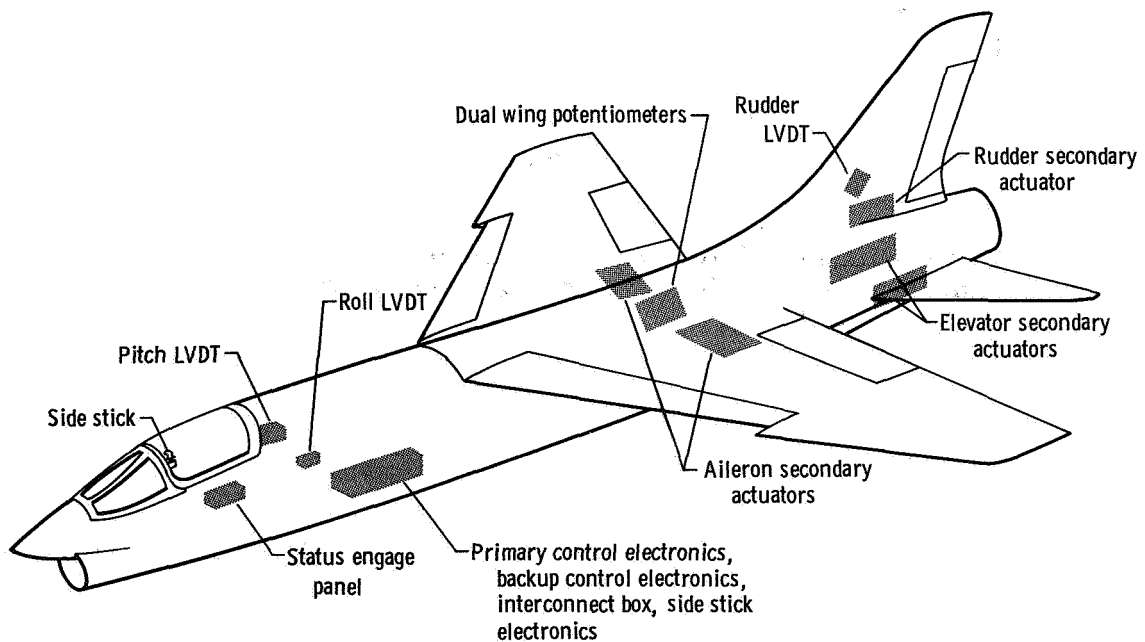
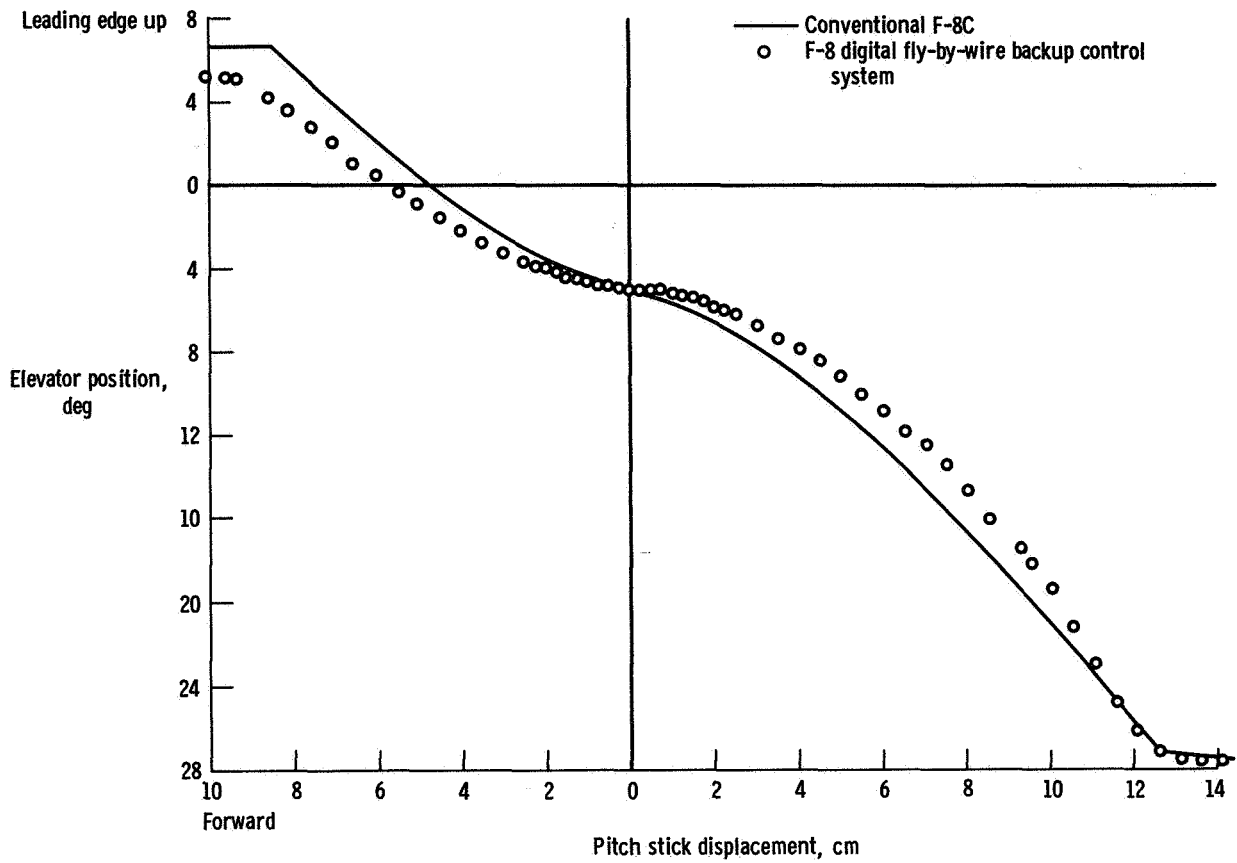
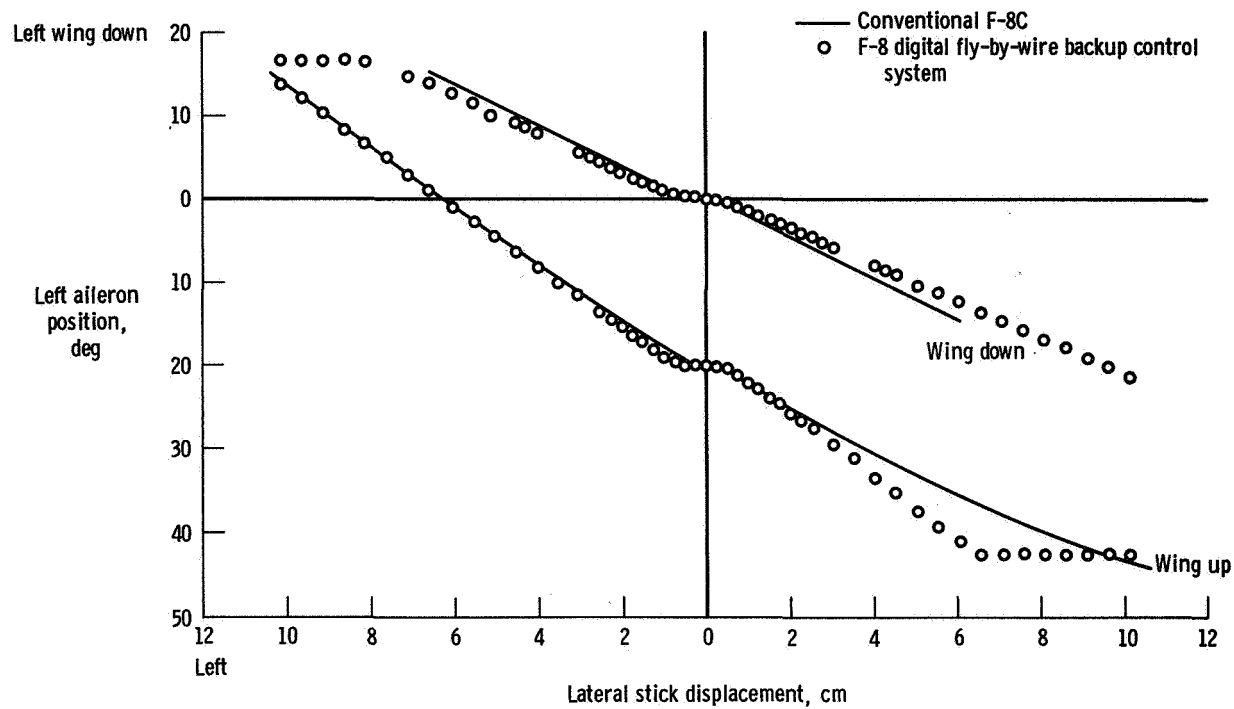


Figure 3. Components of F-8 digital fly-by-wire control system.



(a) Pitch.

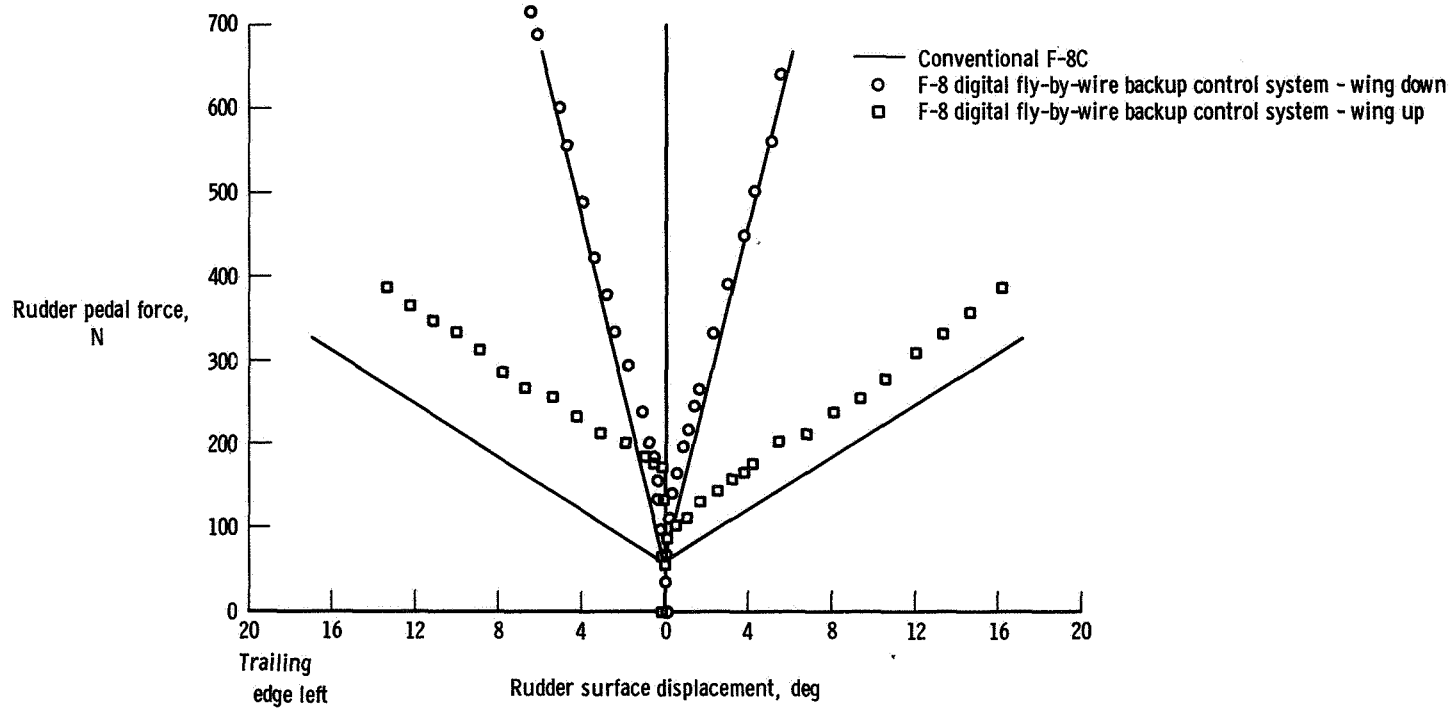
Figure 4. Comparison of conventional F-8C and F-8 digital fly-by-wire backup control system pitch, roll, and yaw axis gearing.



(b) Roll.

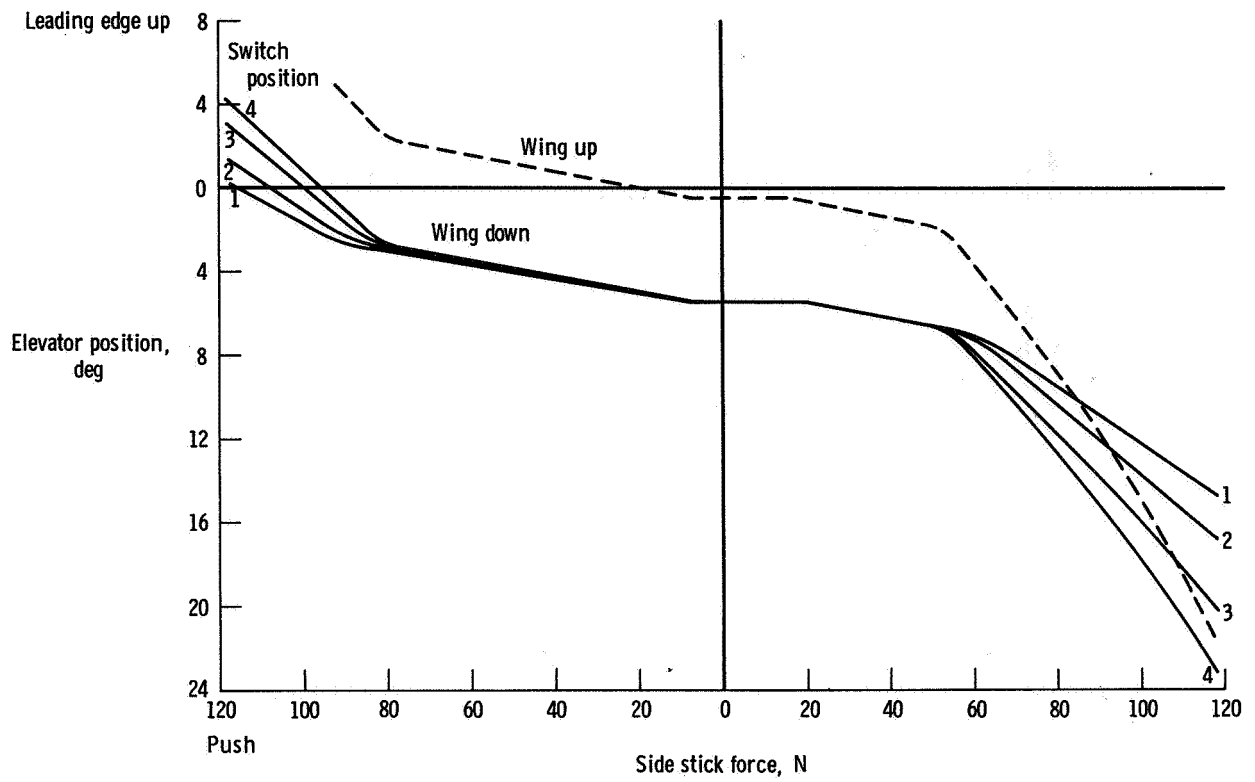
Figure 4. Continued.

REPRODUCIBILITY OF THE ORIGINAL PAGE IS POOR

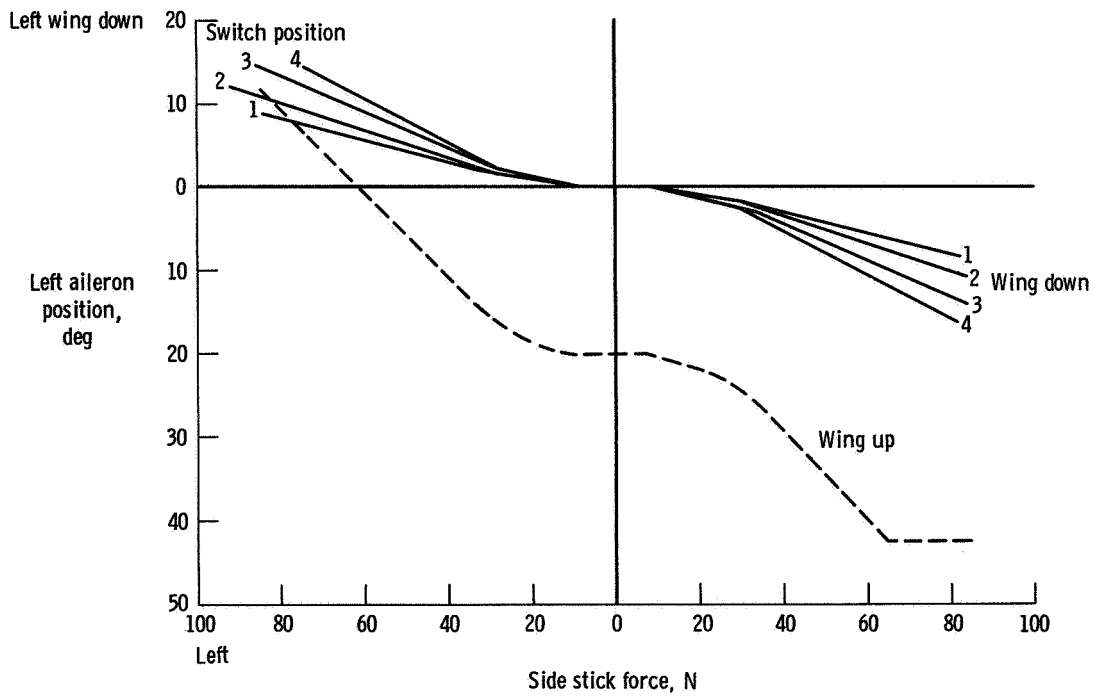


(c) Yaw .

Figure 4. Concluded.



(a) Pitch.



(b) Roll.

Figure 5. Side stick gearing in pitch and roll axes.

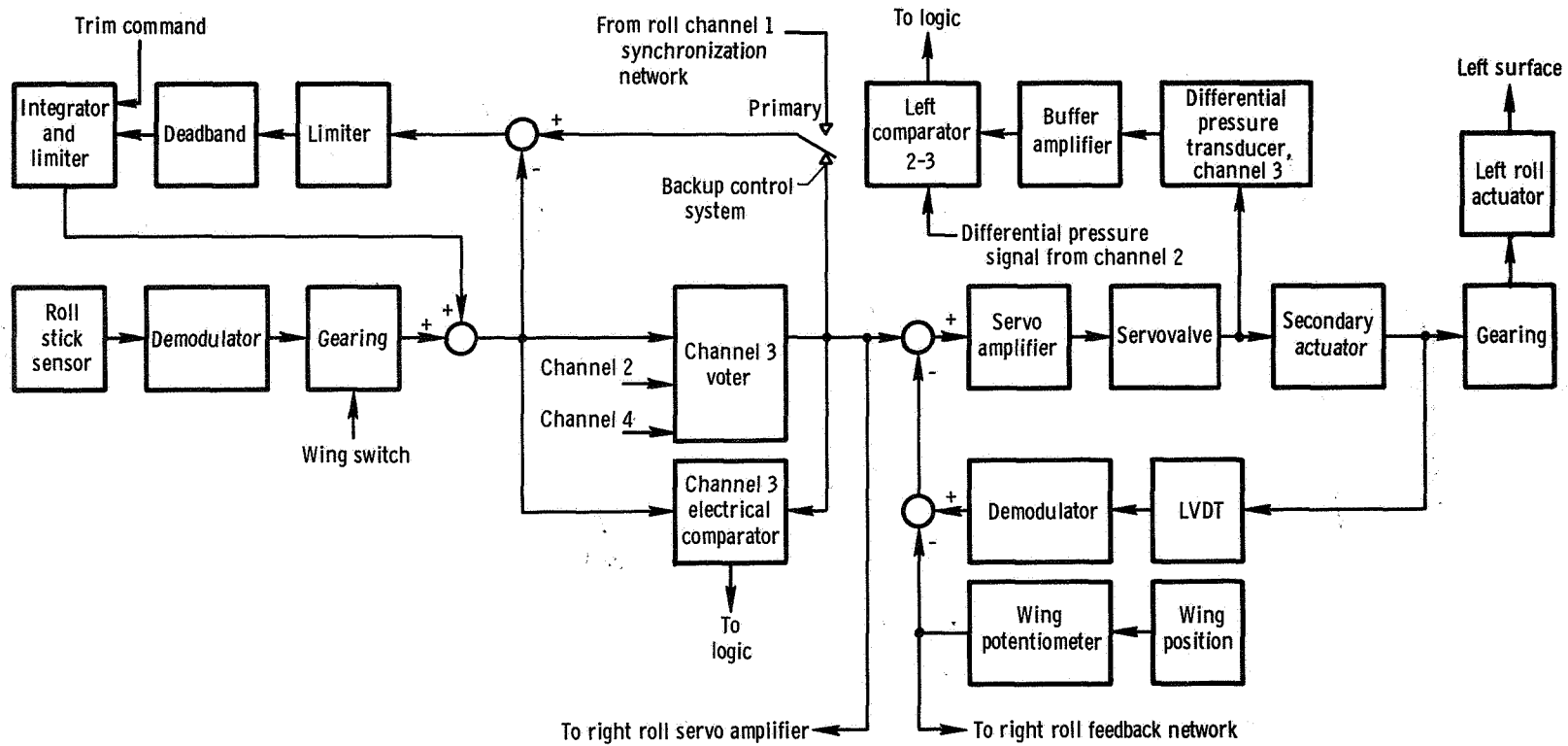


Figure 6. Roll backup control system channel 3.

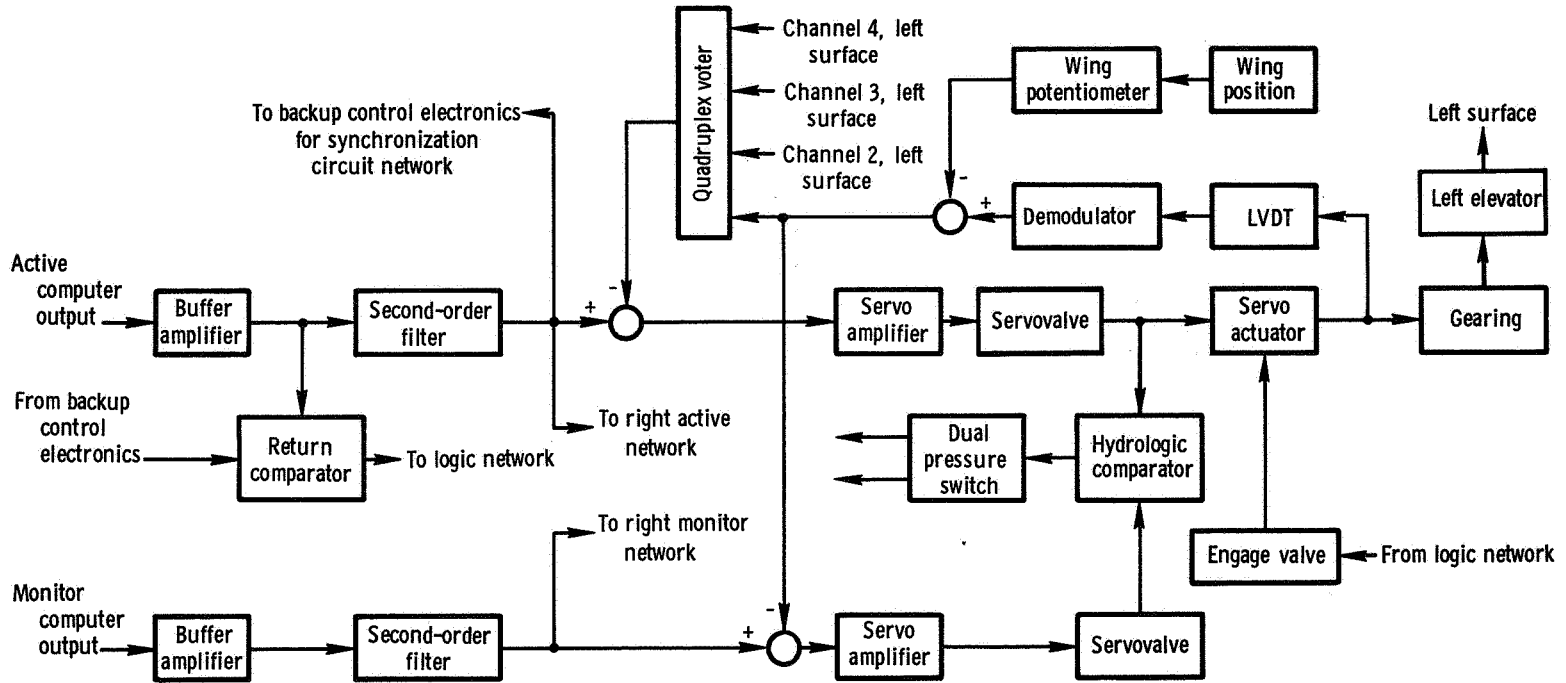


Figure 7. Typical primary control system channel.

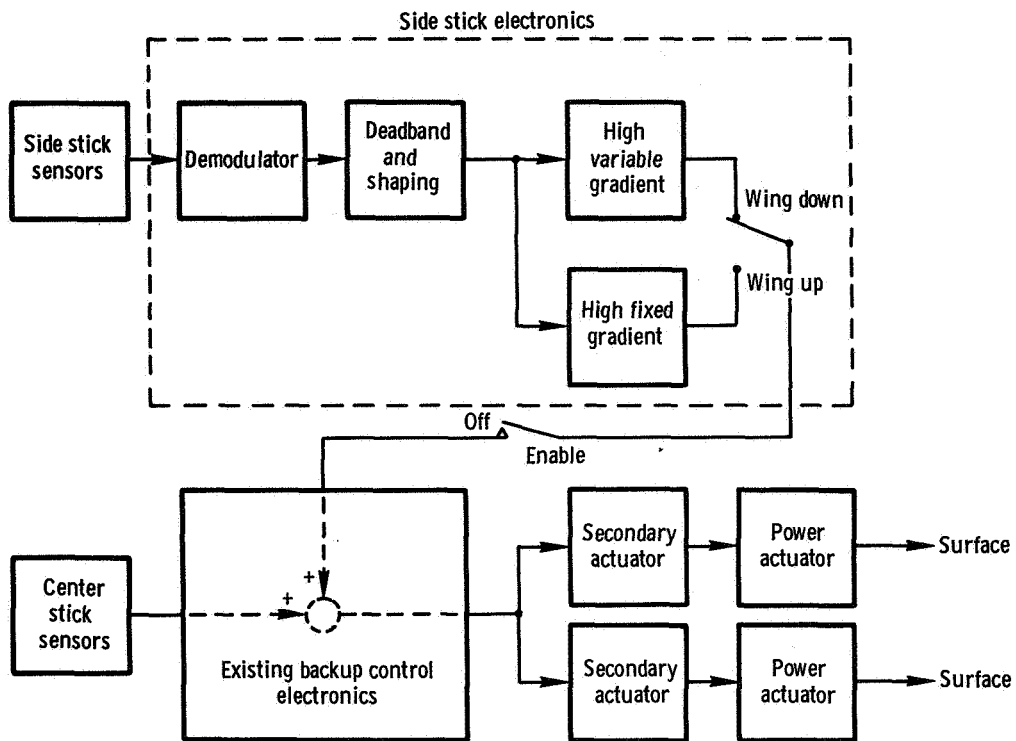


Figure 8. Side stick block diagram.

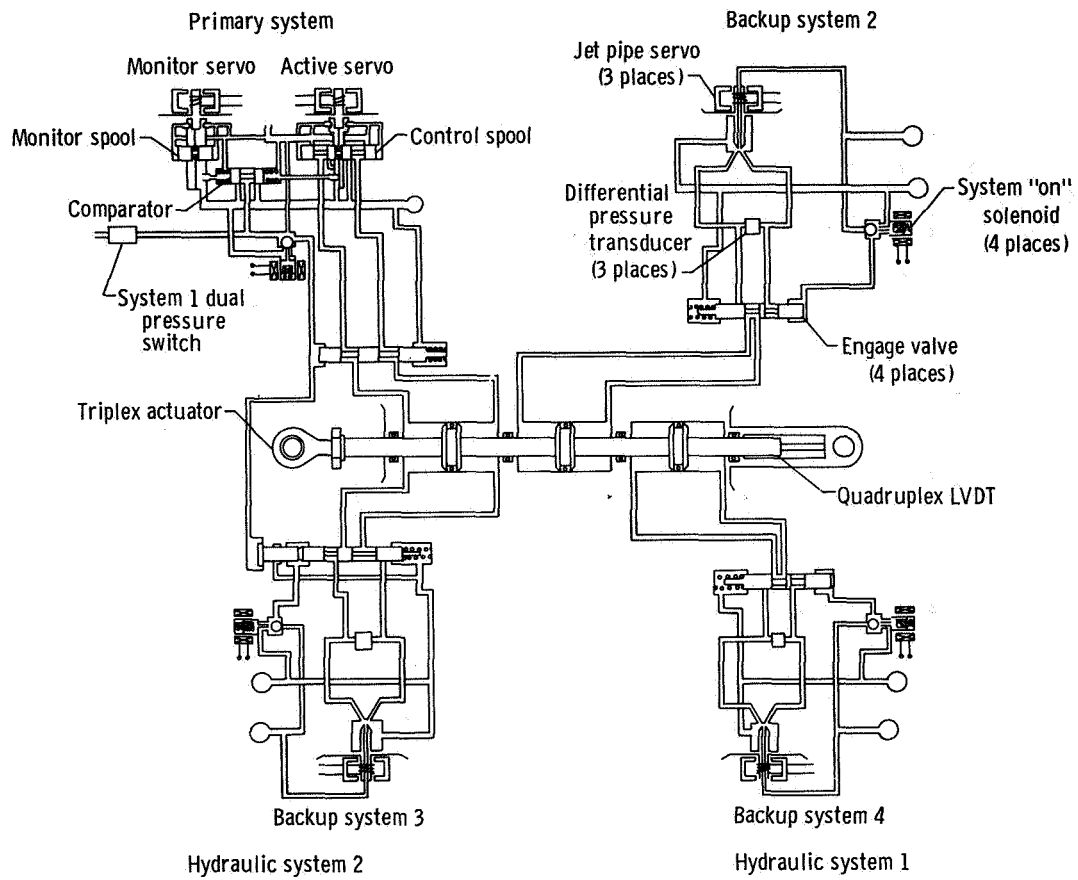


Figure 9. Hydraulics of secondary actuator with primary channel in control and channels 2, 3, and 4 in standby configuration.

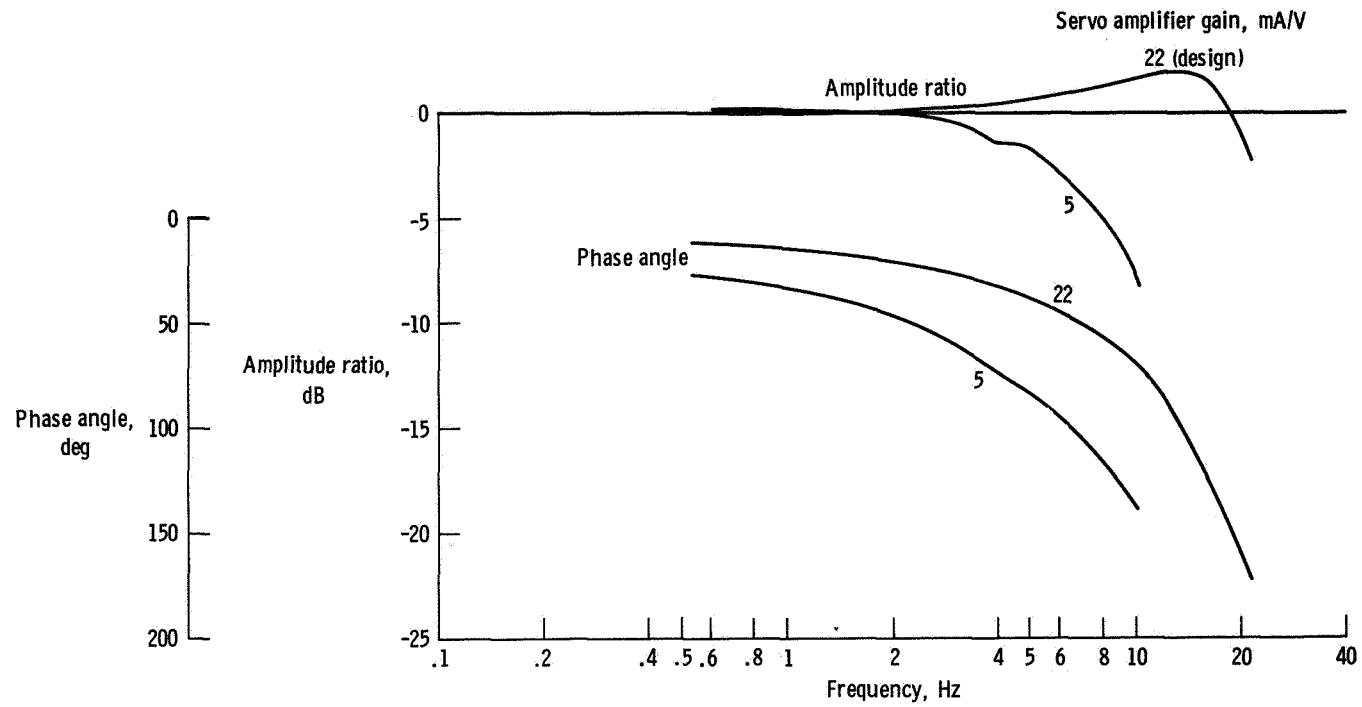


Figure 10. Comparison of elevator secondary actuator frequency response controlled with off-design and design gains of primary servo amplifier .

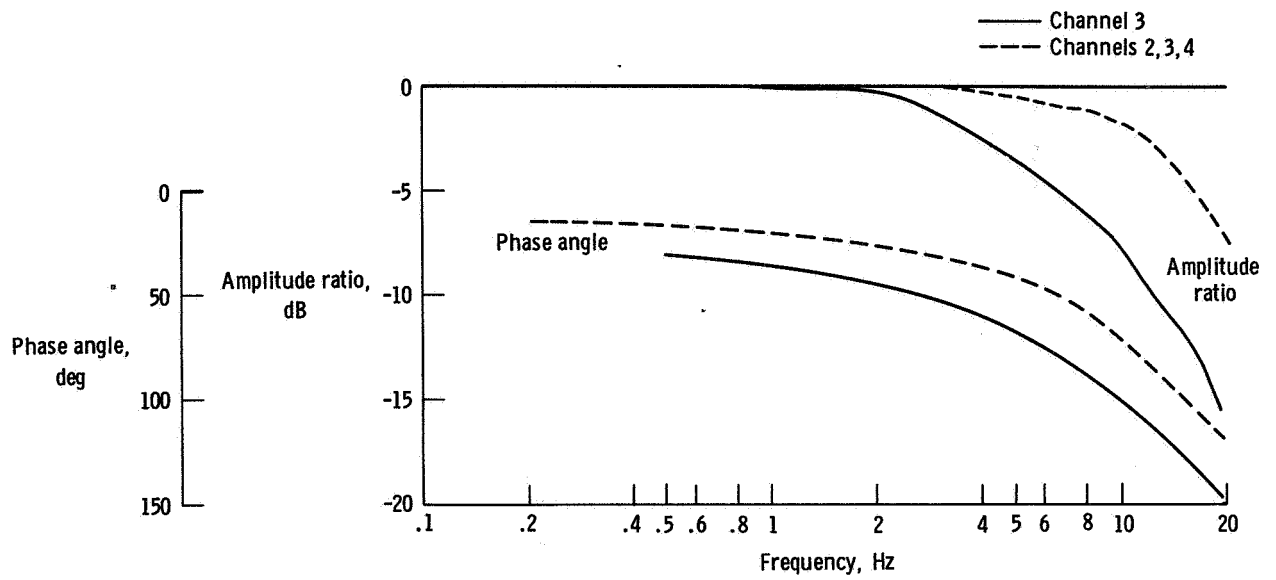


Figure 11. Comparison of elevator secondary actuator frequency response controlled with backup control system valves.

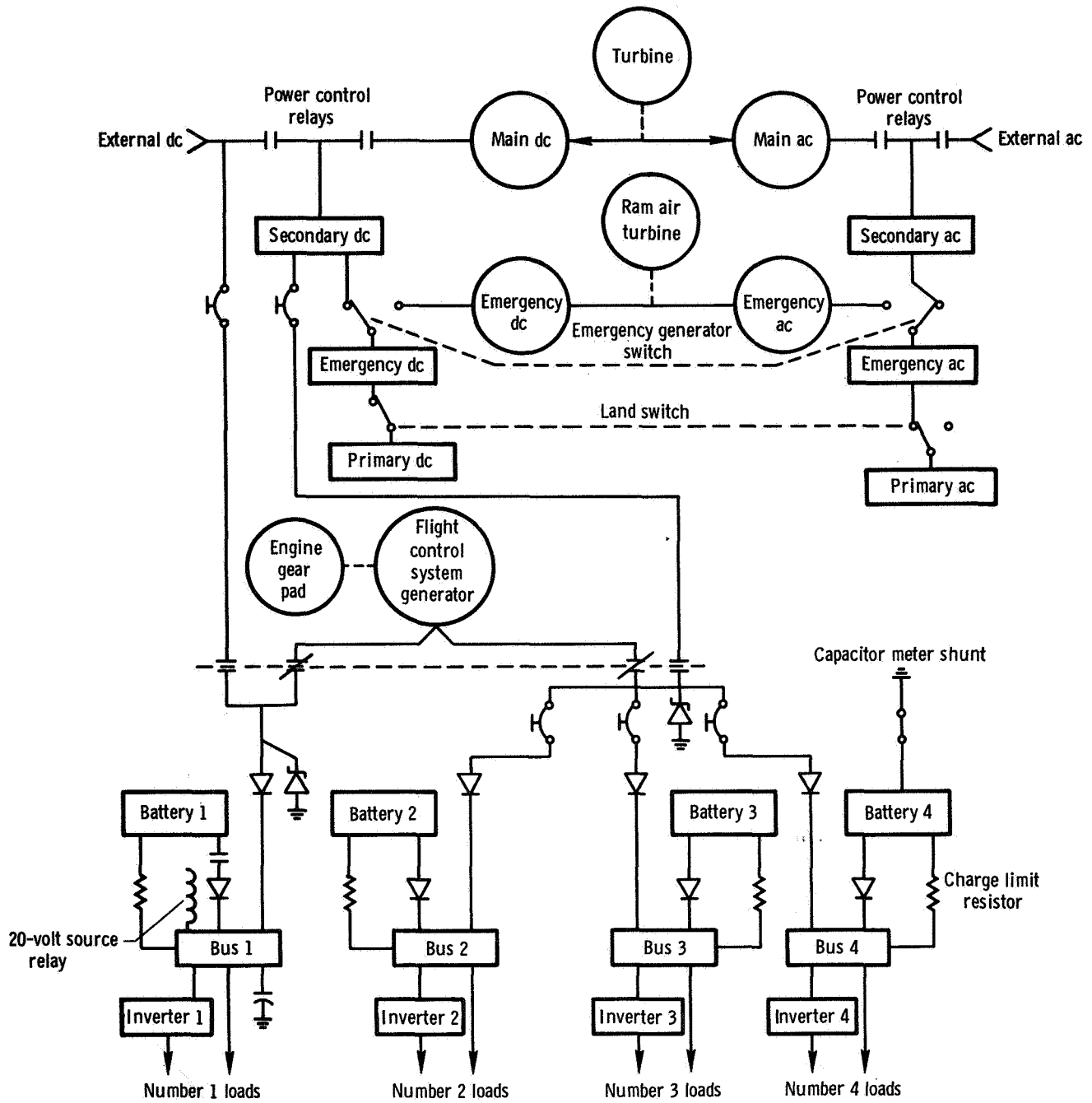


Figure 12. Simplified diagram of F-8 DFBW power distribution system.