

DOE/NASA/3152-78/1
NASA CR-135382

(NASA-CR-135382) STIRLING ENGINE DESIGN
MANUAL Final Report (Joint Center for
Graduate Study) 369 p. HC A16/MF A01

N78-23999

CSSL 21G

Unclas
G3/85 16707

STIRLING ENGINE DESIGN MANUAL

William R. Martini
University of Washington

April 1978



Prepared for
NATIONAL AERONAUTICS AND SPACE ADMINISTRATION
Lewis Research Center
Under Grant NSG-3152

for
U.S. DEPARTMENT OF ENERGY
Office of Conservation and Solar Applications
Division of Transportation Energy Conservation

DOE/NASA/3152-78/1
NASA CR-135382

**STIRLING ENGINE
DESIGN MANUAL**

**William R. Martini
University of Washington
Joint Center for Graduate Study
100 Sprout Rd.
Richland, Washington 99352**

April 1978

**Prepared for
National Aeronautics and Space Administration
Lewis Research Center
Cleveland, Ohio 44135
Under Grant NSG-3152**

**for
U. S. DEPARTMENT OF ENERGY
Office of Conservation and Solar Applications
Division of Transportation Energy Conservation
Washington, D. C. 20545
Under Interagency Agreement EC-77-A-31-1011**

PREFACE

The author wishes to acknowledge the aid of the following people who materially assisted the production of this manual outside of their regular employment. They gave information not generally available or conferred with the author at length or reviewed and corrected the manuscript or a combination of the above. They are: W. T. Beale, R. Belair, E. H. Cooke-Yarborough, D. A. Didion, J. Finegold, T. Finkelstein, F. E. Heffner, L. C. Hoffman, A. Organ, B. Qvale, C. J. Rallis, G. Rice, P. A. Riös, A. Ross, A. Schock, J. R. Senft, J. L. Smith, Jr., I. Urieli, and G. Walker.

TABLE OF CONTENTS

Figures	viii
Tables	x
1. Summary	1
2. Introduction	4
2.1 Why Should Anybody Be Interested In Stirling Engines?	4
2.2 What Is A Stirling Engine?	4
2.3 Major Types Of Stirling Engines	8
2.3.1 Heat Sources	9
2.3.2 Solid-Gas Heat Transfer	9
2.3.3 Gas Transport and Power Take-Off (Seals)	10
2.3.4 Power Control	12
2.3.5 Heat Sinking	13
2.3.6 Working Gas	14
2.4 Present And Future Application Areas	14
2.4.1 Silent Electric Power	14
2.4.2 Reliable Electric Power	15
2.4.3 Motor Vehicle Power	15
2.4.4 Heat Pumping Power	16
2.4.5 Biomedical Power	17
2.4.6 Central Station Power	17
2.4.7 Power For Other Uses?	17
3. Current Automotive Scale Engines	18
3.1 Philips-Ford Programs	18
3.1.1 The 1-98 Engine (76 e)	18
3.1.2 The 4-215 Engine (77 k, 77 aq)	20
3.1.3 The 4-98 Engine (77 k)	20
3.2 United Stirling Engines (77 i, 77 j, 77 a1, 77 am)	26
3.2.1 Application Plan	26
3.2.2 Engine Design	30
3.2.2.1 Seals	33
3.2.2.2 Gas Cooler	34
3.2.2.3 Gas Heater	34
3.2.2.4 Burner & Air Preheater	35
3.2.2.5 Power Control	37
3.2.3 Engine Performance	40
3.3 General Motors Engine	40
3.3.1 History	40
3.3.2 NASA-Lewis Testing	42
3.3.3 Engine Measurements (77 bd)	44

3.4	FFV Engine	44
4.	Review Of Engine Design Methods	52
4.1	Stirling Engine Cycle Analysis	52
4.1.1	Stirling Cycle, Zero Dead Volume, Perfect Regeneration	54
4.1.2	Stirling Cycle, Zero Dead Volume, Imperfect Regeneration	57
4.1.3	Otto Cycle, Zero Dead Volume, Perfect or Imperfect Regeneration	60
4.1.4	Stirling Cycle, Variable Dead Volume, Perfect or Imperfect Regeneration	61
4.1.5	Combined Stirling and Otto Cycle Variable Dead Volume, Perfect or Imperfect Regeneration	65
4.1.6	Conclusions from Cycle Analysis	68
4.2	First Order Design Methods	72
4.2.1	Piston - Displacer Engines	72
4.2.1.1	Engine Definition	72
4.2.1.2	Sample Engine Specifications	75
4.2.1.3	Numerical Analysis	75
4.2.1.4	Schmidt Equations	78
4.2.2	Dual Piston Engines	82
4.2.2.1	Engine Definition and Sample Engine Specifications	82
4.2.2.2	Numerical Analysis	82
4.2.2.3	Schmidt Equations	85
4.2.3	Experience Factors	89
4.2.3.1	Efficiency Experience Factors	90
4.2.3.2	Power Experience Factors	100
4.2.4	First Order Design Procedure	100
4.2.5	Conclusions on First Order Design Methods	101
4.3	Second Order Design Methods	101
4.3.1	Capital Letter Nomenclature for Section 4.3	102
4.3.2	Basic Power Output	108
4.3.2.1	Schmidt Equations - Sinusoidal - Isothermal	109
4.3.2.1.1	Alpha, Dual Piston Form of Schmidt Equation	109
4.3.2.1.2	Beta Engine Form Schmidt Equation	109
4.3.2.1.3	Gamma Engine Form Schmidt Equation	110
4.3.2.2	Basic Power Assuming Sinusoidal, Non- Isothermal Processes	110
4.3.2.3	Non-Sinusoidal, Isothermal	110
4.3.2.3.1	Rhombic-Beta (Philips Engines)	111
4.3.2.3.2	Crank Drive-Alpha Engine	113
4.3.2.4	Non-Sinusoidal, Non-Isothermal	115

4.3.3	Fluid Friction Loss	117
4.3.3.1	Regenerator Pressure Drop	117
4.3.3.1.1	Screens	117
4.3.3.1.2	Slots	120
4.3.3.2	Heater and Cooler Pressure Drop - Tubular	120
4.3.3.3	Heater and Cooler Pressure Drop - Interleaving Fins	121
4.3.3.4	Heater, Cooler and Regenerator Windage Loss	121
4.3.4	Mechanical Friction Loss	121
4.3.5	Basic Heat Input	121
4.3.6	Reheat Loss	122
4.3.7	Shuttle Conduction	129
4.3.8	Gas and Solid Conduction	133
4.3.8.1	Constant Area Conduction	134
4.3.8.2	Variable Area, Variable Thermal Conductivity	134
4.3.8.3	Conduction Through Regenerator Matrices	138
4.3.8.4	Radiation Along a Cylinder with Radiation Shields	138
4.3.9	Pumping Loss	139
4.3.10	Temperature Swing Loss	139
4.3.11	Internal Temperature Swing Loss	140
4.3.12	First Round Engine Performance Summary	140
4.3.13	Heat Exchanger Evaluation	140
4.3.13.1	Tubular Heat Exchangers	140
4.3.13.2	Annular Gap Heat Exchangers	141
4.3.13.3	Isothermalizer Heat Exchangers	141
4.3.14	Iteration to Find Effective Gas Temperature	141
4.3.14.1	Flow Heat Exchangers	141
4.3.14.2	Isothermalizer Heat Exchangers	143
4.3.15	Conclusions on Second Order Design Methods	143
4.4	Third Order Design Methods	143
4.4.1	Basic Design Method	144
4.4.2	Fundamental Differential Equations	144
4.4.2.1	Continuity Equation	144
4.4.2.2	Momentum Equation	146
4.4.2.3	Energy Equation	146
4.4.2.4	Equation of State	147
4.4.3	Comparison of Third Order Design Methods	147
4.4.3.1	Urieli	147
4.4.3.2	Schock	148
4.4.3.3	Vanderbrug	148
4.4.3.4	Finkelstein	149
4.4.3.5	Lewis Research Center (LeRC)	150

4.4.4	Conclusions on Third Order Design Methods	152
5.	Comparison Of Theory With Experiment	153
5.1	Allison Engine	153
5.2	MIT Cooling Engine	154
5.3	The GPU-3 Engine	160
6.	Auxiliary Stirling Engine Design Problems	166
7.	Sample Design Procedure	167
7.1	Stirling Engine Design Form -- W. R. Martini, October, 1977	168
7.2	Sample Design Calculation	219
8.	References	248
9.	Directory	342
Appendix A	355

FIGURES

2-1	Common Process for all Heat Engines	5
2-2	Example of Internal Combustion Engine	6
2-3	Example of Closed Cycle Gas Turbine Engine	6
2-4	Essential Character of a Stirling Engine	7
2-5	Stirling Engine Design Option Block Diagram	8
2-6	Main Types of Stirling Engine Arrangements	10
2-7	Rinia Arrangement	11
2-8	Philips Double-Acting Swashplate Engine	11
3-1	Philips 1-98 Engine on a Test Bench	19
3-2	Cross Section of a Rhombic Drive Engine	19
3-3a	Philips-Ford 2-215 Engine Cross Section	21
3-3b	Philips-Ford 2-215 Engine Assembled	21
3-4	Stirling Engine Fuel Economy	22
3-5	Stirling Engine Emissions	23
3-6	The 4-98 Engine Partial Description	27
3-7	Engine Performance Map for the Ford 4-98	28
3-8	Packaging of the Ford 4-98 Engine in a 1976 Pinto, Rear Wheel Drive	28
3-9	Packaging of the Ford 4-98 Engine in a 1976 Pinto, Front Wheel Drive	29
3-10	United Stirling Application Plan	30
3-11	United Stirling P-150 Engine in a Truck	31
3-12	Concept for United Stirling Production Engines	32
3-13	The United Stirling Rod Seal	33
3-14	United Stirling Involute Heater	34
3-15	United Stirling Burner and Air Preheater	35
3-16	Cold Starting Sequence for the United Stirling V4X35 Engine	36
3-17	Temperature and Air-Fuel Control	37
3-18	Simplified Diagram of the Power Control System	38
3-19	Speed and Pressure Response for the United Stirling V4X35 Engine	39
3-20	Cross Section of Double-Acting V8 P150 Engine Developing 140 KW at 2400 rpm	40
3-21	P150 V4 Engine Module with Auxiliaries	41
3-22	Performance Results for P150 V4 Module of P150 Engine Showing Present Development Status (United Stirling).	41
3-23	The General Motors GPU-3-2 Stirling Electric Ground Power Unit for Near Silent Operation	42
3-24	Measured Specific Fuel Consumption for the GPU-3 Engine	43
3-25	Measured Engine Horsepower for the GPU-3	43
3-26	Schematic of Single Cylinder Stirling Engine with Rhombic Drive	48
3-27	Schematic of Working Space	49
3-28	Schematic Showing Dimensions Needed for Calculating Heat Conduction	50
3-29	Schematic Showing Arrangement of Regenerator-Cooler Unit Around Cylinder	51

List of Figures

Page 2

3-30	Rhombic Drive Schematic	44
4-1	Theoretical Stirling, Ericsson and Otto Cycles	53
4-2	Theoretical Cycles	55
4-3	Simple Stirling Engine with Annular Gap Regenerator	58
4-4	Effect of Regenerator Effectiveness on Efficiency	59
4-5	Effect of Dead Volume on Work per Cycle for Isothermal Spaces and Constant Average Pressure	64
4-6	Comparison of Adiabatic and Isothermal Hot and Cold Gas Spaces for 33% Dead Volume	71 73
4-7	Piston Displacer Engine Nomenclature	74
4-8	Phasing of Displacer and Power Piston	77
4-9	Flow Diagram for Work Integral Analysis	77
4-10	Dual Piston Engine Nomenclature and Assumptions for Sample Case	83 85
4-11	Work Diagram for Dual Piston Sample Case ($\Delta\text{ELPHI} = 30^\circ$)	91
4-12	Engine Experience Factor Nomenclature	91
4-13	Indicated Efficiencies	93
4-14	Calculated Indicated Efficiencies for Optimized Philips 1-98 Engines	93 112
4-15	Generalized Rhombic Drive at Zero and at Maximum VCLX	112
4-16	Generalized Rhombic Drive at Zero and at Maximum VHLX	115
4-17	One Element of Kinia Arrangement, Stirling Engine Crank Drive	114
4-18	Flow through an Infinite Randomly Stacked Woven-Screen Matrix, Flow Friction Characteristics	118
4-19	Gas Flow Inside Circular Tubes with Abrupt Contraction Entrances	120 122
4-20	Reheat Loss	126
4-21	Gas Flow Through an Infinite Randomly Stacked Woven- Screen Matrix, Heat Transfer Characteristics	126 130
4-22	Shuttle Conduction	136
4-23	Thermal Conductivities of Probable Construction Materials for Stirling Engines	137 148
4-24	Computation of Tapered Cylinder Wall Conduction	148
4-25	Third Order Design Methods	148
4-26	Urieli Engine Model	155
5-1	Heat Input and Work Output Data for Allison PD-67A Stirling Engine	155 155
5-2	Internal Efficiency Data for Allison PD-67A Stirling Engine	155
5-3	Dimensionless Cold Work, Warm Work, and Pressure Ratio $r_{VT} = 0.62$	161
5-4	Dimensionless Cold Work, Warm Work, and Pressure Ratio $r_{VT} = 1.87$	161
5-5	Dimensionless Cold Work, Warm Work, and Pressure Ratio $r_{VT} = 0.92$	161

List of Figures

Page 3

5-6	Comparison of Pressure Drop Losses	162
7-1	Mass Flow Approximation	228

TABLES

3-1	Major Innovations in the 4-215 Engine	22
3-2	Other Test Results	23
3-3	Phase I Functional Status vs. Objectives	24
3-4	Major Technical Problems Encountered	25
3-5	Problems Encountered Yet To Be Resolved	25
3-6	Performance Targets for United Stirling Product Line	29
3-7	GPU-3-2 Engine Dimensions and Parameters	45
3-8	Test Points for GPU-3	47
4-1	Effect of Adiabatic Spaces on a Discrete Stirling Cycle with Dead Volume	69
4-2	Indicated Efficiencies of a 1-98 Rhombic Drive Philips Engine	92
4-3	Brake (Shaft) Efficiencies for a 1-98 Rhombic Drive Philips Engine Optimized for Each Operating Point	94
4-4	Maximum Brake Efficiencies for Various Stirling Engines	95
4-5	Maximum Brake Efficiencies for Three Stirling Engines	96
4-6	Maximum Net Brake Efficiencies for Various Stirling Engines	98
4-7	Viscosity of Working Gases g mass/cm sec at PAVG = 10 MPa	119
4-8	Heat Capacities for Working Gases, j/g ^o K	125
4-9	Flow Diagram for Work Integral Analysis	127
4-10	Coefficient for Shuttle Heat Conduction Equation	131
4-11	Typical Temperature Wave Length, LT, at Room Temperature Condition	132
5-1	Breakdown of Losses and Powers for the Allison Model PD-67A Engine with 118 ^o Phase Angle	156
5-2	Summary of Rios's Data (69 ar)	158
5-3	Pressure Drop Loss	162
5-4	LERC GPU Model Predictions	163
5-5	Computed Performance for GPU-3 Test Points (Martini, 2nd Order)	164
5-6	Engine Calculations Using An Analytical Approximation of the Effective Mass Flow Rate (A) and a Numerical Approximation (N)	165
8-1	Stirling Engine References Organized by Year of Publication	249
8-2	Personal Author Index to References	313
8-3	Corporate Author Index	323
8-4	Classification of Stirling Engine References	326
8-5	Paper Numbers Related to Each Stirling Engine Subject Classification	329

1. SUMMARY

Interest in the application of Stirling engines to serve a variety of power producing needs has increased considerably over the past several years. This interest has been generated principally by the potentials for high efficiency and low emissions offered by the Stirling engine coupled with its inherent quietness and capability to operate with a variety of fuels or using a variety of heat sources.

The DOE Office of Conservation, Division of Transportation Energy Conservation, has established a number of broad programs aimed at reducing highway vehicle fuel consumption. The DOE Stirling Engine Highway Vehicle Systems Program is one such program. This program is directed at the development of the Stirling engine as a possible alternative to the spark-ignition engine.

Project Management responsibility for this project has been delegated by DOE to the NASA-Lewis Research Center. Support for the generation of this design manual was provided by a grant from the Lewis Research Center Stirling Engine Project Office.

For Stirling engines to enjoy widespread application and acceptance, not only must the fundamental operation of such engines be widely understood, but the requisite analytic tools for the simulation, design, evaluation and optimization of Stirling engine hardware must be readily available. At the present time, the most highly developed and verified analytic programs are proprietary to specific corporations.

The purpose of this design manual is to provide an introduction to Stirling cycle heat engines, to organize and identify the available Stirling engine literature, and to identify, organize, evaluate and, in so far as possible, compare non-proprietary Stirling engine design methodologies. As such, the manual then represents a first step in the long process of making available comprehensive, well verified, economic-to-use, Stirling engine analytic programs.

The basic principles of heat engines are explained. A Stirling engine is defined as a heat engine that moves a body of gas around in such a way as to compress the gas principally in the cold part of the engine and expand it principally in the hot part of the engine. Heat is supplied and removed through the walls of the engine.

In introducing Stirling engines, the variety of Stirling engine types and their utility in comparison to other machines are discussed. Useful Stirling engines are or can be built from an output of a few watts to a megawatt. Power density is usually as high as a diesel engine and can approach a gasoline automobile engine. Efficiencies 30% higher than an automobile engine are projected. For complete engines designed to power vehicles experience shows that a current flame-heated Stirling engine powering all auxiliaries realized no more than 58% of the Carnot efficiency for the heat source and heat sink temperatures employed. Stirling engines can be designed to utilize almost any source of heat, are inherently quiet and can be made reversible.

The theory of Stirling engine is presented starting from simple cycle analysis. Important conclusions from cycle analysis are: 1) Compared to an engine with zero unswept gas volume (dead volume), the power available from an engine with dead volume is reduced proportional to the ratio of the dead volume to the maximum gas volume, and 2) At the usual dead volume ratios of greater than 50% used in Stirling engines the error in computing the work per cycle using the easy to compute isothermal spaces instead of the more realistic but more difficult to compute adiabatic spaces is 1 to 2%.

Engine design methods are organized as first order, second order and third order with increased order number indicating increased complexity.

First order design methods employ the classical Schmidt equation and are principally useful in preliminary systems studies to evaluate how well-optimized engines may perform in a given heat engine application.

Second order design methods also utilize the Schmidt equation, but, in addition, incorporate engine loss relationships that apply generally for the full engine cycle. This method assumes that the different processes going on in the engine interact very little. The author's second order methods are given for several different types of Stirling engines. These methods are presented in detail by using work sheets that need only be filled out for the specific case. One sample problem is presented using these work sheets.

The literature on third order methods is quite extensive. This method solves the equations expressing the conservation of energy, mass and momentum using numerical methods. The engine is divided into many nodes and short time steps are required for a stable solution. Some third order methods assume that at each instant in time the pressure is uniform. This assumption greatly reduces computation time. If pressure is not assumed uniform, then the time step can be no longer than the time it takes for sound to travel from one node to the next. Third order design methods compute the engine performance with much fewer assumptions but require thousands of times longer computation time. Both second and third order methods must be validated by agreement with measurement of the performance of an actual engine.

The development and testing programs for engines greater than a few horsepower are summarized. Current engines by Philips, Ford and United Stirling are described. A 10 year old engine, the GPU-3, built by General Motors for the U.S. Army and now under test at NASA-Lewis, is described in enough detail so that predictions can be made about its indicated power output and efficiency.

All the literature now available that compares engine measurements with calculated performance is presented. Qvale gives a partial description of a Stirling engine built by Allison and claims good agreement. Rios built and fully described a Stirling cooling machine and shows that his computation method agrees with his measurements. The performance of the GPU-3 engine presently under test at NASA-Lewis was to have been presented for certain agreed upon test points. Unfortunately, the data are as yet unavailable. The predictions of the indicated output power and efficiency have been made for these test points using both the second order analysis of Martini and the third order analysis of NASA-Lewis and are presented and compared.

The tasks undertaken in this grant proved larger than anticipated. The original objective of identifying and organizing all available information on Stirling engines has been met. Over 800 publicly available references on Stirling engines are given according to year of publication, personal author, corporate author and subject. However, a thorough evaluation of all available analysis methods could not be accomplished within the allotted resources. Nevertheless, it is felt that there is benefit to be gained by making available the progress to date. At this point, most of the design methods that are described in the literature in enough detail so that others may use them are given in this manual so that the reader can use them. All of the simple methods are given. For these methods to be of known utility, they must be compared with reliable engine test data over a range of operating conditions. This comparison has not been done because the data are not available at this time. Such data are being generated at at least two government laboratories. Future support, if forthcoming will enable incorporation of such data, completion of the design methods evaluation process and production of a more comprehensive design manual.

2. INTRODUCTION

2.1 Why Should Anybody Be Interested In Stirling Engines?

For many years during the last century, Stirling engines occupied a relatively unimportant role among the kinds of engines used during that period. They were generally called air engines and were characterized by high reliability and safety, but low specific power. They lost out in the dollars-per-horsepower race with other competing machines. In the 1930's some researchers employed by the Philips Company, in Holland, recognized some possibilities in this old engine, provided modern engineering techniques could be applied. Since then, this company has invested millions of dollars and has created a very commanding position in Stirling engine technology. Their developments have led to smooth, and quiet-running demonstration engines which have very high efficiency and can use any source of heat. They may be used for vehicle propulsion to produce a zero or low level of pollution. A great variety of experimental Stirling engines have been built from the same general principles to directly pump blood, generate electricity, or directly generate hydraulic power. Many are used as heat pumps and some can be used as both heat pumps and heat engines depending upon the adjustment. With a few notable exceptions of independent individuals who have done very good work, most of the work on Stirling engines has been done by teams of engineers funded by the giant companies of the world. The vital details of this work are generally not available. The United States government is beginning to sponsor the development of an open technology on Stirling engines and is beginning to spend large sums of money in this area. DOE contracted with the Ford Motor Company to spend 160 million dollars over the next 8 years to bring about a commercial Stirling engine (77 ap)*. DOE will supply 110 million of this sum. About 4 million dollars will be spent in the first year to better assure both parties that 30% better than conventional engine gas mileage can be obtained with the Ford-Philips Stirling engine. Also DOE has announced that a second team composed of Mechanical Technology Incorporated, Latham, New York; United Stirling of Malmo, Sweden and American Motors will be negotiated with to help "establish the development base of component, subsystem and system designs, fabrication technology, test experience and assessment of cost and market ability necessary to support a decision by 1984 by the U.S. automobile industry to establish a production engineering program for the Stirling engine" (77 ai). Since for many engineers interest must follow money, now for the first time a reason for beginning to become familiar with the interesting and varied properties of this class of thermal machines exists for a much larger group of engineers.

2.2 What Is A Stirling Engine?

Like any heat engine, the Stirling engine goes through the four basic processes of compression, heating, expansion, and cooling (See Figure 2-1). A couple of examples from every day life may make this clearer. For instance, Figure 2-2 shows how an automobile internal combustion engine works. In this engine a gas-air mixture is compressed using work stored in the mechanical flywheel from a previous cycle. Then the gas mixture is heated by igniting it and allowing it to burn. The higher pressure gas mixture now is expanded

* See references in Section 8

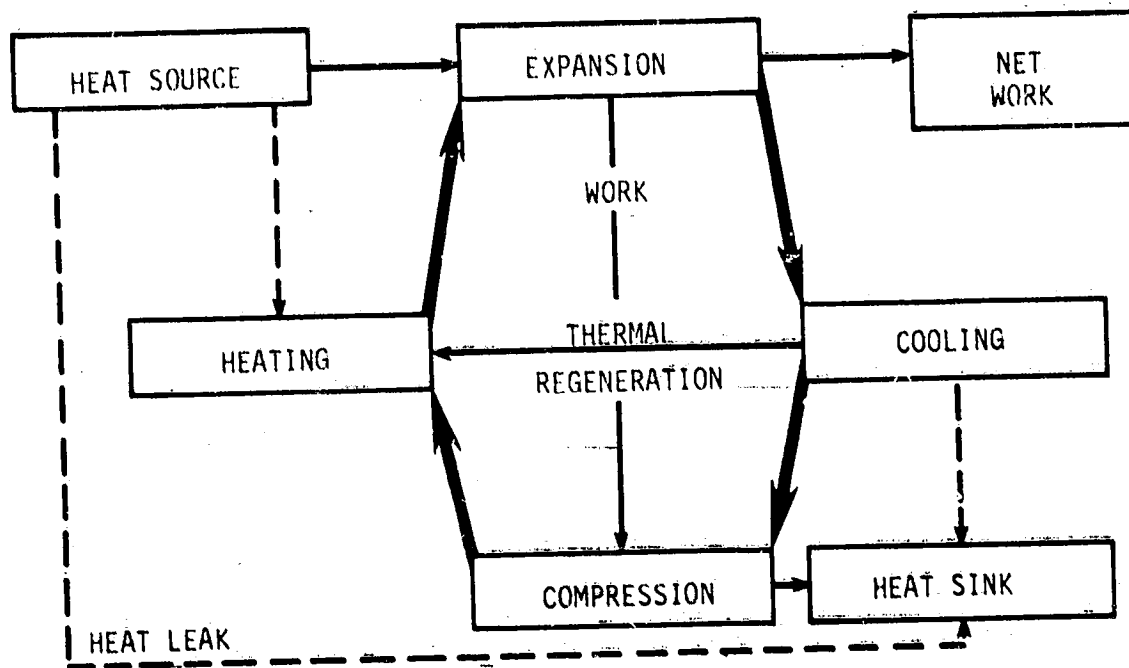


Figure 2-1. Common Process for all Heat Engines.

which does more work than was required for the compression and results in net work output. In this particular engine, the gas mixture is cooled very little. Nevertheless, the exhaust is discarded and a cool gas mixture is brought in through the carburetor.

Another example of the general process shown in Figure 2-1 is the closed cycle gas turbine engine (See Figure 2-3). The working gas is compressed, then it passes through a steady-flow regenerative heat exchanger to exchange heat with the hot expanded gases. More heat is added in the gas heater. The hot compressed gas is expanded which generates more energy than is required by the compressor and creates net work. To complete the cycle, the expanded gas is cooled first by the steady flow regenerative heat exchanger and then the additional cooling to the heat sink.

In the first example (Figure 2-2), the processes occur essentially in one place, one after the other in time. In the second example (Figure 2-3), these four processes all occur simultaneously in different parts of the machine. In the Stirling machine, the processes occur sequentially but partially overlapping in time. Also the processes occur in different parts of the machine but the boundaries are blurred. One of the problems which has delayed the realization of the potential of this kind of thermal machine is the difficulty in calculating with any real degree of confidence the complex processes which go on inside of a practical Stirling engine. The author has the assignment to present as much help on this subject as is presently freely available.

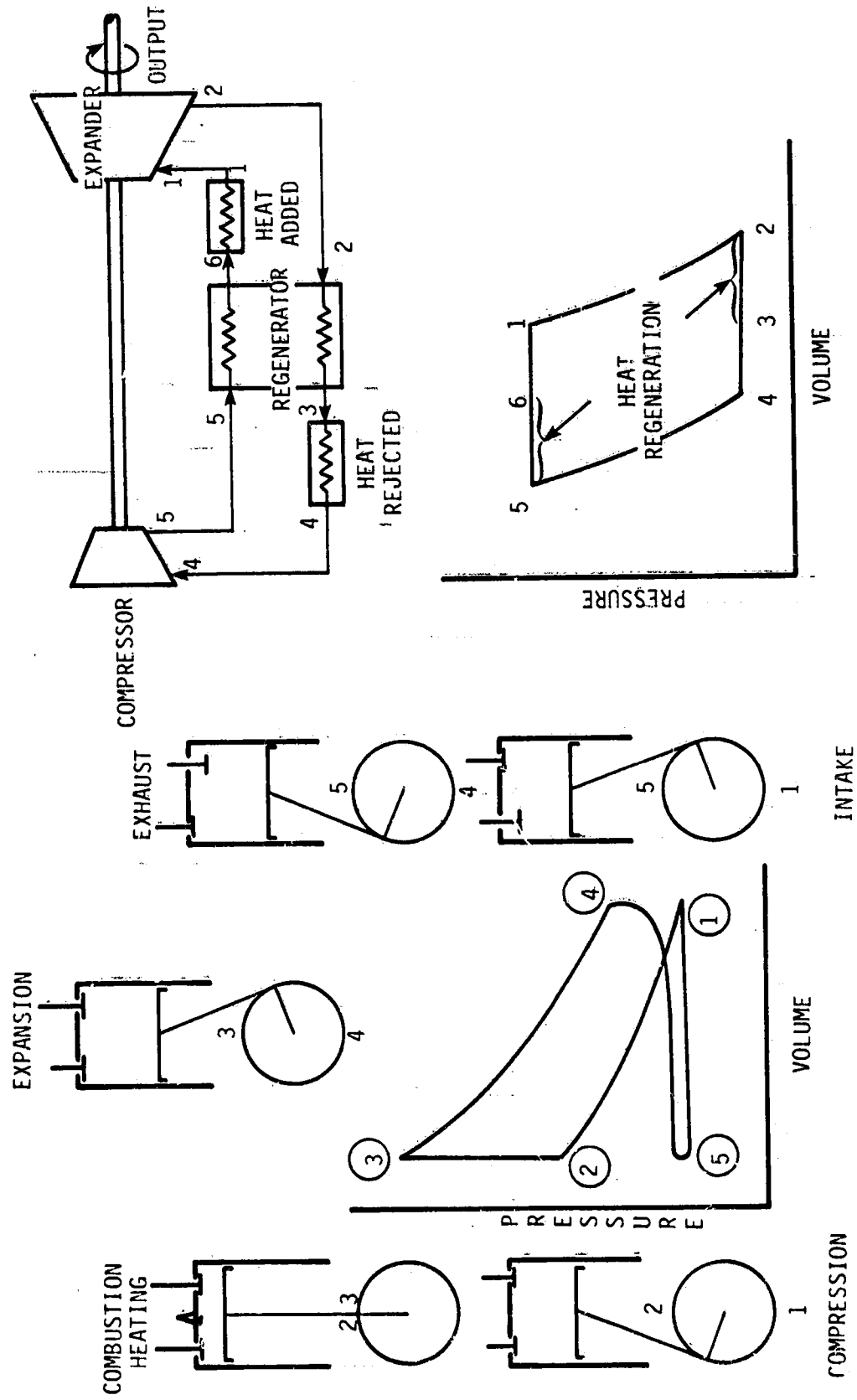


Figure 2-2. Example of Internal Combustion Engine.

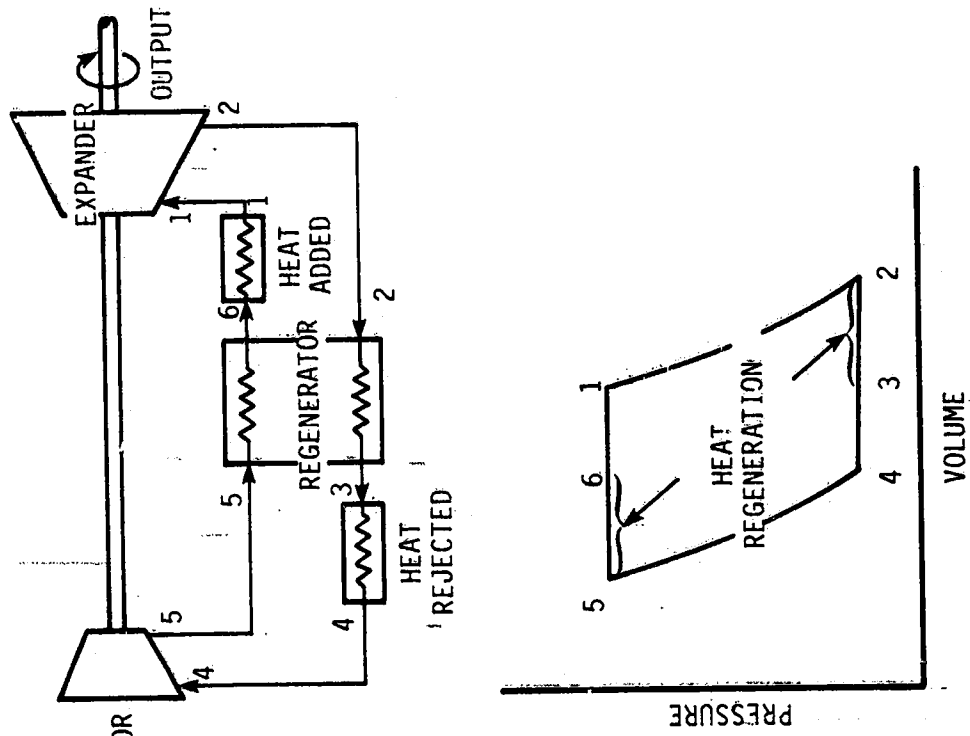


Figure 2-3. Example of Closed Cycle Gas Turbine Engine.

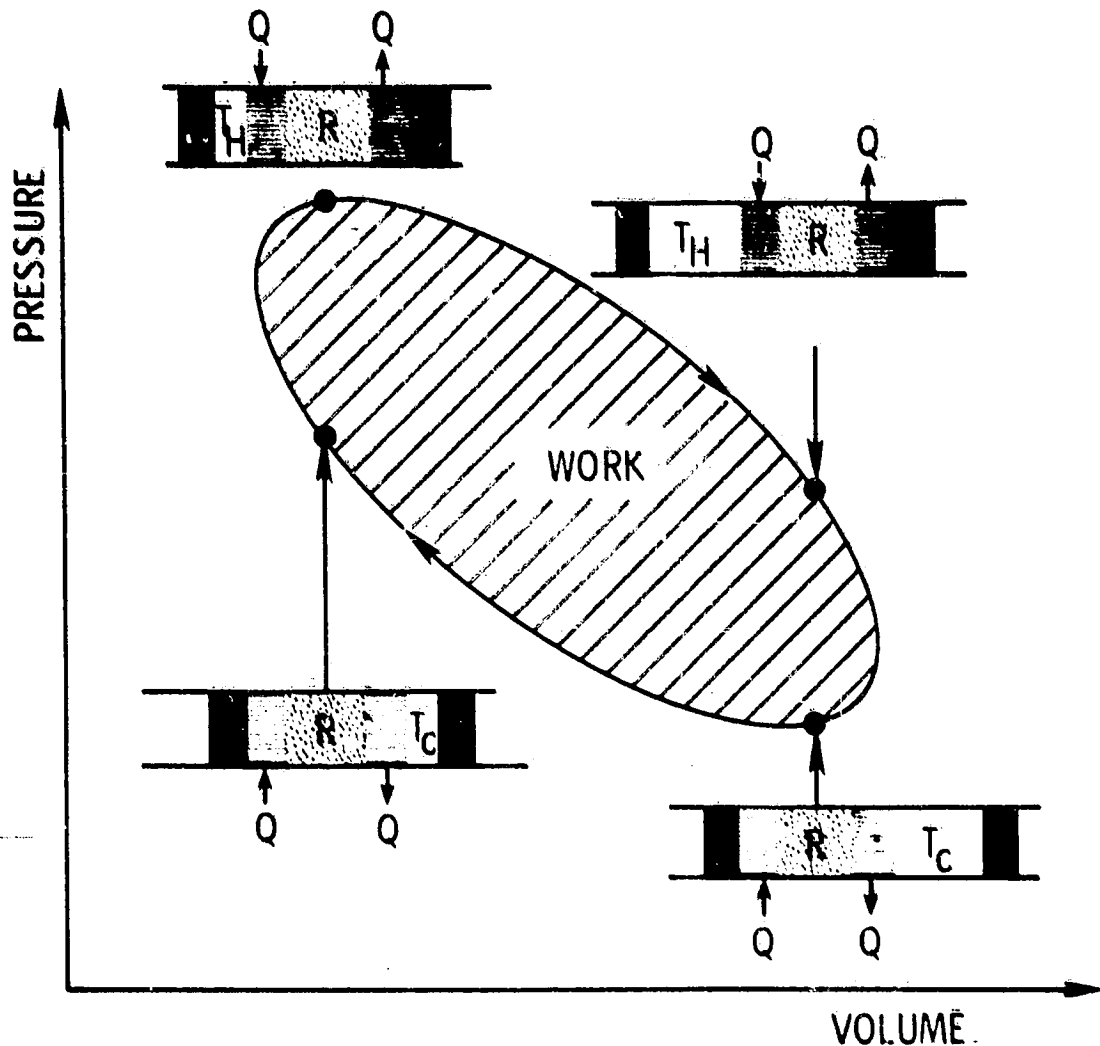


Figure 2-4. Essential Character of a Stirling Engine.

A heat engine is a Stirling engine for the purpose of this book when:

1. The working fluid is contained in one body at nearly a common pressure at each instant during the cycle.
2. The working fluid is manipulated so that it is generally compressed in the colder portion of the engine and expanded generally in the hot portion of the engine.
3. Transfer of the compressed gas from the cold to the hot portion of the engine is done by manipulating the fluid boundaries without valves or real pumps. Transfer of the expanded hot gas back to the cold portion of the engine is done the same way.
4. A reversing flow regenerator (regenerative heat exchanger) may be used to increase efficiency.

The general process shown in Figure 2-1 converts heat into mechanical energy. The reverse of this process can take place in which mechanical energy is converted into heat pumping.

Figure 2-4 shows a generalized Stirling engine machine as described above. That is, a hot and a cold gas space is connected by a gas heater and cooler and regenerator. As the process proceeds to produce power, the working fluid is compressed in the cold space, transferred as a compressed fluid into the hot space where it is expanded again, and then transferred back again to the cold space. Net work is generated during each cycle equal to the area of the enclosed curve.

2.3 Major Types Of Stirling Engines

In this publication the author would like to consider the classification of Stirling engines from a more basic standpoint. Figure 2-5 shows the various design areas that must be addressed before a particular kind of Stirling engine emerges. First some type of external heat source must be determined. Heat must then be transferred through a solid into a working fluid. There must be a means of transporting this gas between the hot and cold portion of the engine and of compressing and expanding it. A regenerator is needed to improve efficiency. Power control is obviously needed as are seals to separate the working gas from the environment. Expansion and compression of the gas creates net indicated power which must be transformed by some type of linkage to create useful power. Also the waste heat from the engine must be rejected to a suitable sink.

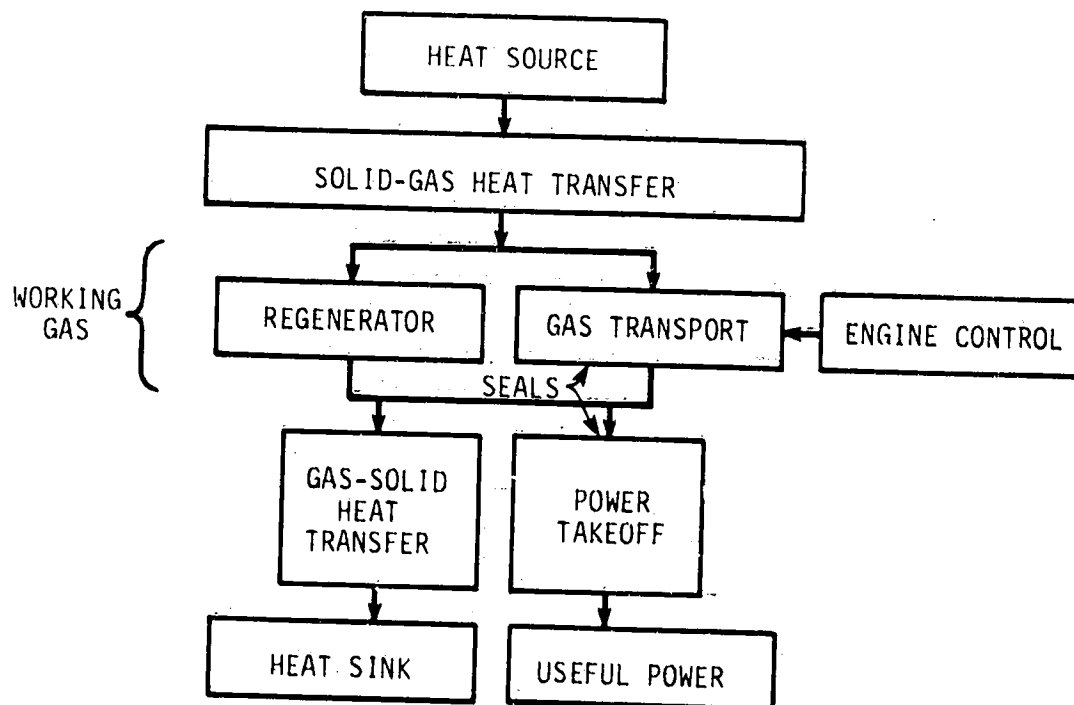


Figure 2-5. Stirling Engine Design Option Block Diagram.

A wide variety of Stirling engines have been manufactured. These old engines are described very well by Finkelstein (59 c) and Walker (73 j). Usually these involve three basic types of Stirling engines. One, the alpha type, uses two pistons (See Figure 2-4 and 2-6). These pistons mutually compress the working gas in the cold space, move it to the hot space where it is expanded and then move it back. There is a regenerator and a heater and cooler in series with the hot and cold gas spaces. The other two arrangements use a piston and displacer. The piston does the compressing and expanding, and the displacer does the gas transfer from hot to cold space. The displacer arrangement with the displacer and the power piston in line is called the beta-arrangement, and the piston offset from the displacer, to allow a simpler mechanical arrangement, is called the gamma-arrangement. However, these arrangements concentrate on only one of the vital design choices which face a creative designer of Stirling engines. The other design choices under the categories shown in Figure 2-5 will now be enumerated to indicate the breadth of possible Stirling engines.

2.3.1 Heat Sources

Since heat is supplied to the outside of the Stirling engine, many kinds of heat sources can be incorporated. Almost all work so far has been toward the development of a liquid fuel burner which requires an air pre-heater to work effectively. Virtually any type of liquid fuel can be used. Some work is now being started using solid fuel burners which are mostly fluidized bed coal burning experiments in which a heat pipe transports the heat from the burning coal to the engine (76 f). For undersea application a system has been developed to react lithium with SF_6 and transport heat to the engine with a heat pipe (75 f). Some researchers suggested that electrically heated thermal energy storage units coupled with Stirling engines might be better for electric vehicles than even the most advanced type of electrochemical batteries coupled with electric motors (76 c). Relatively small mirrors or lenses focusing on a small Stirling engine are being considered as potential power sources for the future (77 ac). The conclusion here is that there are many ways of using Stirling engines with less common heat sources which have definite possibilities for the future.

2.3.2 Solid-Gas Heat Transfer

The technology of how to add and remove heat from the working fluid in the Stirling engine is the most crucial of the entire Stirling engine design. There are two essential reasons for transferring heat into and out of the gas. The first is to supply the heat of expansion (heater) and remove the heat of compression (cooler). The second is to supply and remove the sensible heat as the working fluid oscillates between the hot and cold part of the engine (regenerator). It is quite clear from Figure 2-3 that the closed cycle gas turbine (Brayton Cycle) also shares these essential requirements. For both the Brayton Cycle as well as the Stirling Cycle engine frictional losses must be minimized. However, in the Brayton Cycle making the heat exchangers large to reduce friction has no effect on the capacity of the compressor-expander. However, the price that the Stirling engine pays for not having to have the cost and problems of compressors and expanders needed in the Brayton Cycle is the necessity of keeping the undispaced or dead volume to a minimum for the heat exchangers and associated

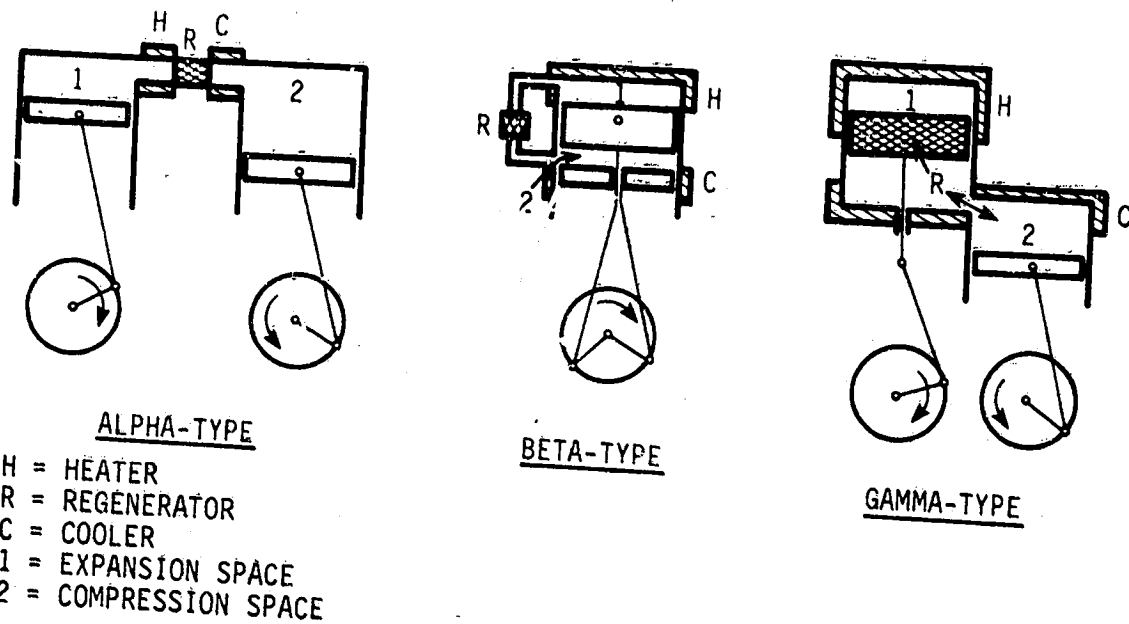


Figure 2-6. Main Types of Stirling Engine Arrangements.

ducts. Typically half of the engine volume is in the heat exchangers and ducts and this reduces the power output to about half of what it theoretically could be with no dead volume.

A number of early air engines (59 c) used a positive displacement compressor and expander. In these, dead volume was no problem but valving was. The valved hot gas engine at MIT (72 ar, 73 ay, 75 bf) is being used to investigate this alternative with modern engineering.

Typically in a Stirling engine the working fluid passes, as it goes from the cold space to the hot space, first, through a gas cooler made of many parallel small diameter tubes with the gas inside the tubes (See Figure 2-6), second, through a regenerator made of stacked fine mesh screens, and third, through a tubular gas heater like the cooler. Combining the heat exchangers with the variable volume spaces is theoretically a good way to greatly reduce dead volume. This is an old idea (1854 b) but has recently received renewed attention under the name thermalizers (73 p) or isothermalizers (77 h). One of the chief design challenges is to build efficient, low dead volume heat exchangers at a reasonable cost. Very high gas pressures are used because power density is proportional to average gas pressure. Losses increase only slowly with gas pressure. High quality ceramics are being considered because higher temperature and more complicated shapes might become economic compared to brazed super-alloy tubular heat exchangers. Higher temperature also greatly increases power density and adds to the efficiency.

2.3.3. Gas Transport and Power Take-Off (Seals)

Stirling engine gas transport is always positive displacement of some sort. Pistons are the usual means. The engine now receiving the most attention is a

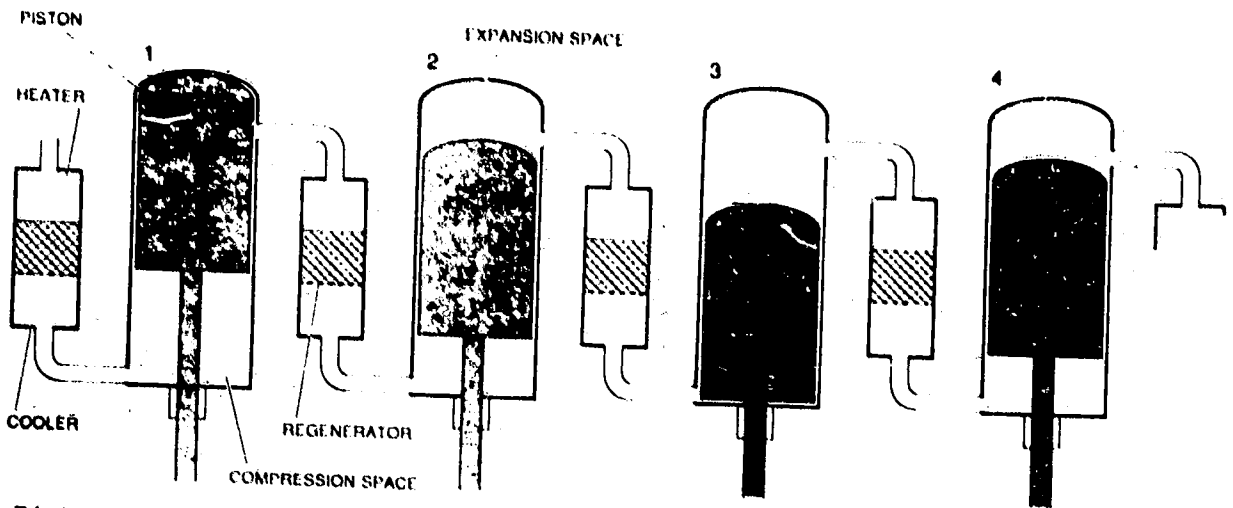


Figure 2-7. Rinfia Arrangement.

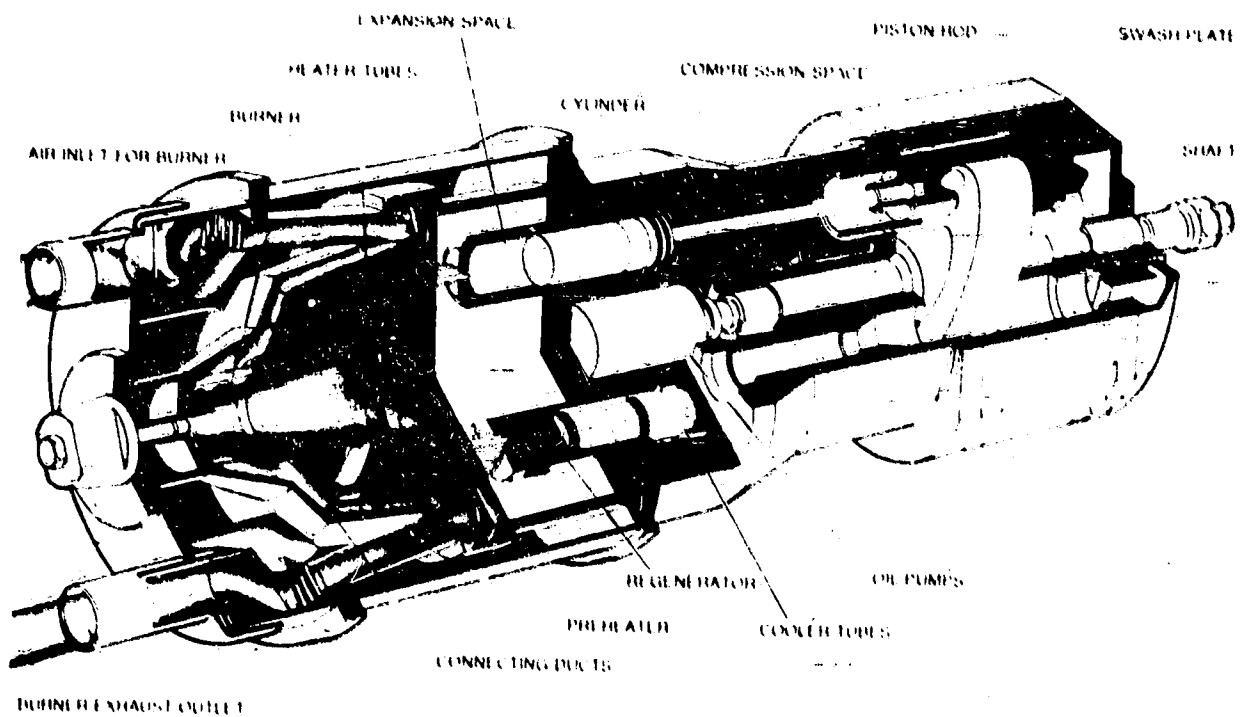


Figure 2-8. Philips Double-Acting Swashplate Engine.

combination of 4, 2 piston machines. However, since each piston is double acting, only four pistons are needed to implement the cycle. This is called the Rinfia arrangement (See Figure 2-7)(46 d). Power take-off can be with a swashplate (See Figure 2-8)(69 f) or with a conventional crank and cross head (69 f) or with a hypocycloid crank (76 c). Piston seals cannot be oil lubricated since the oil will foul the heat exchangers quickly. Filled Teflon piston rings are usually used. The volume of gas inside the Stirling engine is very small so that any leakage greatly reduces power. Specially designed mechanical seals or

oil backed roll sock seals are used to almost eliminate leakage. Fabric reinforced roll sock seals are also a possibility (76 c), but have not received much testing. In some low power systems, leakage, sliding friction and mechanical wear have been eliminated by using diaphragms (75 l) or bellows (71 ao) instead of pistons. Finally, the free surface of a water column has been used as a power piston in some experimental water pumps (76 k) and heat pumps (75 g) to eliminate leakage and lower friction.

Rotary and shaft seals have been eliminated for a number of developments. Water pumping (71 g, 71 ap), oil pumping (77 x), and electric power output using a linear electric generator (75 n, 74 f), and gas pumping (76 al), and heat pumping (77 a, 77 bn, 73 b) are now being developed.

In the water, gas and heat pumping cases, pressure change may be due only to the transport of gas from the cold to the hot side of the displacer. If it pumps gas or liquid it is called a thermocompressor (69 x). This is equivalent to an internal combustion engine without compression before ignition of the gas mixture. Power is low but it is attractive because of its simplicity. If pressure surges are created by a single displacer operating between a hot and a warm zone, then a Vuilleumier cycle cooler is realized. This type of machine was patented by Rudolf Vuilleumier (18 a) and has recently received a lot of government development to produce reliable coolers for infrared sensors which must operate in the 20 K range.

These displacer-only type machines have been operated with a crank driven by an electric motor (76 i), and by a crank and flywheel driven by a displacer drive piston (74 n). A plug-in-orifice drive for the displacer has also been demonstrated (70 v). Latching electric solenoids can be made efficient and could be also used for the purpose of driving the displacer. Also, overcenter springs have been evaluated for this purpose.

All the displacer-only machines have their counterpart in a machine with a power piston. For instance, if the liquid or gas pump has some inertia added, then the mass-spring-damper system can be designed with a resonant frequency efficiently attainable by the Stirling engine displacer. A much larger displacement would then be possible for the same amount of gas processed by the displacer and regenerator. Therefore, more power would be generated without increasing losses. An oil pumper using a metallic inertia member and a bellows-sealed drive piston has been demonstrated to be self starting (77 x). Heat pumping using a fluid flywheel between two beta type Stirling engines is under development (77 h).

Finally, displacer-piston machines can act as thermally powered mechanical amplifiers. A small amount of power moving the displacer can control a large amount of power at the power piston. This could create a push or pull. In a multipiston engine a very even torque and a speed exactly matching the excitation frequency would be realized.

2.3.4. Power Control

The Stirling engines of the last century were controlled by heat input and by a hand operated vent valve (59 c). Heat was applied through burning wood

or coal, usually. When hot the engine was turned over once by hand and started. Water pumping was usually the task, so rapid control was not required. Modern engines are being used to generate electricity or operate vehicles. In both cases highly responsive speed control is needed. The standard method has been to rapidly add or remove working fluid (77 i). Other methods have been considered like varying the stroke of the power pistons (possible in the Philips swashplate engine (74 c)). Temporarily connecting the working gas space to the buffer space during a controlled part of each stroke also is shown to control power (73 v). Changing the phase angle between the piston and displacer during operation has been demonstrated (76 c). With this type of power control one can change during operation from positive torque to negative torque for regenerative braking and heat reclamation. For maximum efficiency at a particular speed and torque requirement one can arrange to change the stroke of the displacer at $\pm 90^\circ$ phase angle (76 c). It is also theoretically possible to do the same thing with a Rina swashplate machine by tilting the swashplate over center.

In a displacer-power piston machine (Beta or Gamma type) the displacer requires only a small fraction of the engine power output. Up until now we have talked about obtaining this power by mechanical linkage from the power piston through a crank mechanism which may be fixed or variable in phase angle and stroke. Engines have been built in which the displacer is driven by part of the pressure-volume energy generated by the engine but applied to the displacer drive piston instead of the power piston (72 j). Some of these engines are controllable by spoiling through a valve part of the energy applied to the displacer drive piston (77 x).

Displacers can be driven by electric, pneumatic or hydraulic means entirely independent of what happens at the power piston. A class of thermally powered actuators could be created. Also speed controlled engines analogous to a synchronous electric motor could be developed. That is, the engine would act as a heat engine or as a heat pump depending on whether the engine is driving the load or the load is driving the engine at the excitation frequency.

One can conclude that there are many useful ways of controlling Stirling engines some of which may be cheaper or more energy efficient than those now considered standard.

2.3.5 Heat Sinking

Compared to internal combustion engines, Stirling engines require a larger radiator. Compared to a Diesel engine, three times more heat must be dissipated through the radiator (75 w). A special thin corrugated radiator has been developed to allow a more powerful radiator to be installed in the same volume (74 c). The standard method is a pumped coolant loop and a heat exchanger to the air. Not much has been done with heat pipes, boiling condensing systems or fins. Possibly the cold space can be shaped with a large surface area so that direct cooling to the air through fins is a possibility.

In the heat sink area one difference between internal combustion machines and Stirling engines should not be overlooked. In an internal combustion engine the engine has to be kept warm to work well. In a Stirling engine the colder the heat sink the better the engine works. Another big advantage of a Stirling engine is that it can operate over the entire available temperature difference providing materials of construction can be found. Nobody has seriously looked at engines designed to operate between 2,000 C and ambient temperature.

2.3.6 Working Gas

Almost all the early Stirling engines used air at a minimum pressure of one atmosphere (59 c). As early as 1827 engines built by the Stirling brothers used pressurized air (59 c), but the idea did not catch on. The first engines built by Philips used pressurized air from a built-in air compressor (46 a). An analysis of all possible gases will show that hydrogen and helium are much better than any other gas. Hydrogen is best because it has the highest thermal conductivity, the lowest viscosity and a low heat capacity on a volume basis. Only a small amount of heat is needed to change its temperature. However, hydrogen permeates through metals and no container is completely impermeable. Hydrogen is also flammable, but the amount of gas employed is quite small. Also some metals are embrittled by hydrogen. On the other hand, helium is inert and can be permanently contained in metal. It has an even lower volumetric heat capacity than hydrogen and almost as good a thermal conductivity, but the viscosity is twice that of hydrogen. Michels (76 e) showed that a Stirling engine can be designed to use either hydrogen, helium or nitrogen all with the same efficiency for the same temperature. However, the heater, cooler and regenerator of each engine would be designed quite differently. Helium and hydrogen can attain the same power density. However, an engine designed to run with hydrogen will run poorly with helium. Hydrogen has a broader range of high efficiency operation than does helium. A Stirling engine running on nitrogen or air appears to be limited to 20 to 25% of the power of a helium or hydrogen filled engine of the same displacement (76 e).

Dissociable gases like nitric oxide (67 h) have been proposed but there seems to have been no appreciation of the need for good heat transfer properties. Liquids like water have been used (31 a). Water-hydrogen has also been proposed for use in a Stirling engine (74 a). The addition of water to the gas improves the power density. However, the water vaporizes at a high temperature and condenses at a low temperature. Little regeneration is possible for the water component of the working fluid. However, at moderate heat source temperatures, the simple Rankine cycle has a good efficiency compared to the maximum possible. Much more heat must be transferred through about the same area and thickness of gas film. A better solution probably is to eliminate the permanent gas entirely to attain high rates of heat transfer. A successful displacer-power piston type Stirling engine using gas-free water-steam was demonstrated in the artificial heart program (76 bc).

2.4 Present and Future Application Areas

At the present, the only Stirling engines that can be purchased on the open market demonstrate the principle but do not demonstrate the power density and efficiency possible with modern technology. However, the following are considered to be the future application areas.

2.4.1 Silent Electric Power

In the laboratory the application that has received the earliest attention by Philips (47 b) is the coupling of a Stirling engine to an electric generator to achieve a near silent electric power source. It appears that an engine made by FFV of Sweden will be marketed in 1979 in the United States just for that

purpose. Stirling Power Systems owned by Thetford Corp., Ann Arbor, Michigan, and FFV will be the marketing organization. Present small portable generators are unreliable and noisy. A premium priced Stirling engine machine may enjoy a good market among owners of yachts and large self-contained motor homes.

Relatively small solar heated electric generators are being studied with the idea of demonstrating their usefulness on a small scale (77 ac).

2.4.2 Reliable Electric Power

Super-reliable thermo-mechanical generators using a diaphragm Stirling engine and an oscillating electric alternator are beginning to supplant thermo-electric generators in remote power source applications (77 t, 75 z).

DOE is sponsoring two different developments for isotope powered electric power generation in remote locations. One uses the Philips Stirling engine (77 aj, 76 j). The other uses a free-piston engine and linear electric generator (76 az, 77 m).

It appears quite certain that super-reliable types of Stirling engines and electric generators will take the place of flame heated or radioisotope heated thermoelectric generators because they will be both cheaper to build and much more efficient and therefore cheaper to operate and have been demonstrated to be more durable with no degradation in efficiency that is always experienced with thermoelectric generators (77 t).

2.4.3 Motor Vehicle Power

Application of the Stirling engine to motor vehicles has to date received the most attention. A number of demonstration vehicles have been built and are in the process of being tested (77 am, 77 i, 77 aq). A Stirling engine is probably a better engine for automobiles and trucks as far as noise, performance and fuel economy is concerned. But, can the cost of the Stirling engine be reduced sufficiently to allow a saleable product to be offered at the auto showroom floor? As explained in Section 2.1, Ford Motor Co., Philips, MTI, United Stirling and American Motors are involved in development of the Stirling engine for motor vehicles.

A number of studies and proposals have shown that stored thermal energy coupled to a Stirling engine makes reasonable sense for vehicle propulsion (76 c, 74 c, 77 y). Using performance numbers from the 1975 and 1976 IECEC Records, the author performed a preliminary study of how a future propulsion system using thermal energy storage and a controlled Stirling engine would compare with future battery-electric motor propulsion systems. The table below shows the results.

Propulsion System	Calculated Specific Energy WHR(m)/Kg of System at 20 W(m)/Kg System	Calculated Efficiency WHR(m)delivered WHR(e)supplied
Projected 800 C LiF Thermal Energy Storage + Controlled Stirling Engine	150	0.35 to 0.45

Propulsion System	Calculated Specific Energy WHR(m)/Kg of System at 20 W(m)/Kg System	Calculated Efficiency $\frac{\text{WHR(m) delivered}}{\text{WHR(e) supplied}}$
Projected 500 C Lithium-Iron Sulfide Battery + Controls + Electric Motor	50	0.46
Projected Zinc-Nickel Oxide Battery + Controls + Electric Motor	30	0.38
Current Lead Acid Traction Battery + Controls + Electric Motor	10	0.26

The Stirling system is expected to be lighter and about as efficient as the advanced battery propulsion systems. In addition, if a practical way of rapidly transferring heat into the thermal storage can be developed then cheaper sources of heat from burning coal or wood or from concentrating solar energy could be employed.

A Stirling engine should be good for ship and boat propulsion. The low noise, reasonable power density and the higher performance due to the low heat sink temperature and especially its reliability should all be advantages to outweigh the probable higher cost. A good, reliable Stirling engine outboard should sell very well.

2.4.4 Heat Pumping Power

Stirling engines in reverse, heat pumps, have enjoyed a good market in the cryogenic industry to produce liquified gases and to cool infrared sensors and the like (77 ax).

Stirling engines have also been tested to take the place of the electric motor in a common Rankine cycle heat pump for air conditioning (77 ad). One free-piston engine pump is being developed for this purpose (77 w). Engine driven heat pumps have the advantage of heating the building with both the waste heat from the engine and the product of the heat pump (77 j). Also being considered and undergoing preliminary testing are Stirling heat engine heat pumps. These could be two conventional Stirling engines connected together (73 x) or free-piston machines which eliminate much of the machinery and the seals (69 h). Using machines of this type it appears possible that the primary fuel needed to heat our buildings can be greatly reduced to less than 25% of that now being used (77 h). With this type of incentive Stirling engines for house heating and cooling may be very big in the future.

2.4.5 Biomedical Power

Miniature Stirling engines are now being developed to power an artificial heart (72 ak). Indeed this engine appears uniquely suited for this application since it is very reliable and can be made efficient in small sizes. One engine of this size has run continuously for 3.25 years and is still going (77 x). Once the blood pump compatibility with the body is improved to the order of years from the present six months then this application area will open up.

Between the tens to hundreds of horsepower required for automobiles and the few watts required for artificial hearts may be many other applications. For instance, powered wheel chairs now use a cumbersome lead-acid battery and control box between the wheels and an electric motor belt driving each large wheel. With a Stirling engine and thermal energy storage the same performance might be obtained, using a TES-Stirling engine, belt driving each wheel with the speed controlled electrically. The large battery box and controls could be dispensed with and the chair could become truly portable by being collapsible like an unpowered wheel chair. There may be many specialized applications like this.

2.4.6 Central Station Power

Many people have asked if Stirling engines are useful in the field of central station electric power. Very little has been published attempting to answer this question (68 k). R. J. Meijer (77 bc) calculates that Stirling engines can be made up to a capacity of 3,000 HP/cylinder and 500 HP/cylinder Stirling engines have been checked experimentally using part engine experiments (77 bc). Many simple but efficient machines could be used to convert heat to say hydraulic power. Then one large hydraulic motor and electric generator could produce the power. In the field of advanced electric power generation it should be emphasized that the Stirling engine can operate most efficiently over the entire temperature range available and could supplant many more complicated schemes for increasing the efficiency of electric power generation.

2.4.7 Power For Other Uses?

Who is to say whether the above list of uses is complete. As these machines come into use and many people become involved in perfecting them for their own purposes, many presently unforeseen uses may develop. A silent airplane engine may even be possible for small airplanes. The Stirling engine is still a heat engine and is limited to the Carnot efficiency as other heat engines are, but it appears to be able to approach it more closely than the others. Also the machine is inherently silent and uses fewer moving parts than most other engines. What more will inventive humans do with such a machine? Only the future can tell.

3. CURRENT LARGE ENGINES

The history of Stirling engines is fascinating. The reader is referred to Walker (73 j) or Finkelstein (59 c) for this type of information. In this section those current engines with power greater than 1 horsepower will be described. This selection leaves out model engines, and small free piston machines for pumping, refrigerant or blood or for producing electricity. The engines to be discussed are:

N. V. Philips Co. (Netherlands)

1-98

4-215 (Ford testing & modifying)

Ford Motor Company

4-98 Double Acting Swashplate

United Stirling of Sweden (USS)

P-40

P-75

P-150

General Motors (NASA-Lewis Testing)

GPU-3

FFV (A Swedish Government Owned Industrial Group)

Auxiliary Power Unit Engine

3.1 Philips-Ford Programs

Current Philips engines use tubular gas heaters and gas coolers. The coolers are water cooled and the heaters may be heated by a flame or a heat pipe. Stacked screens with very fine wire mesh are used for the regenerator. Current types use rhombic drive with displacer and power piston (the 1-98 engine) and the 4 cylinder double acting Rinja configuration with a swashplate crank case (4-215 and the 4-98 engine). Power control is by adding and removing gas. The engines must be preheated and then cranked to start.

3.1.1 The 1-98 Engine (76 e)

About 30 of these engines were built. It has one cylinder and a piston swept volume of 98 cm³. Figure 3-1 shows one of those engines on test. Figure 3-2 shows a cross section of this type of Rhombic drive engine. The engine operates with a heater temperature from 250 C to 850 C and produces as much as 20 KW at reasonable efficiency. It is capable of delivering about 15 KW at 3,000 rpm and 220 atm gas pressure. With hydrogen working gas, with properly optimized heat exchangers and with a heater temperature of 850 C and a cooler temperature of 0 C, this engine will produce 10 KW at a shaft efficiency of about 43%. This does not include the heater efficiency (76 e).

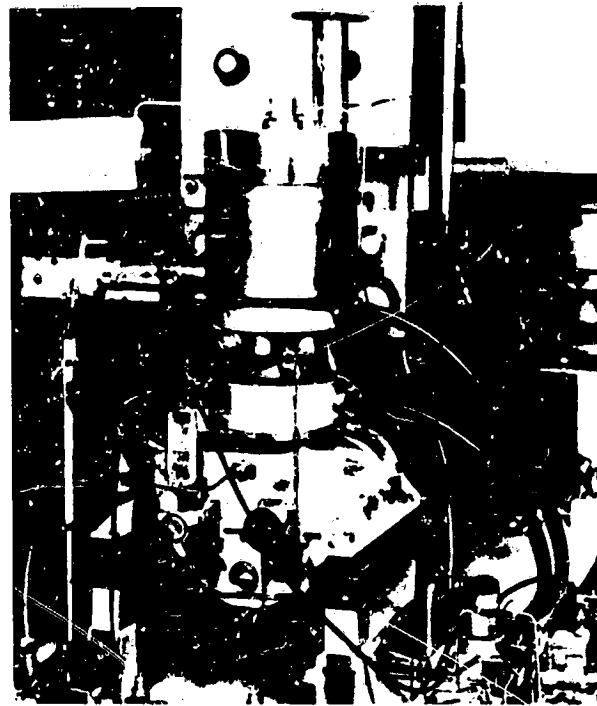


Figure 3-1. Philips 1-98 Engine on a Test Bench.

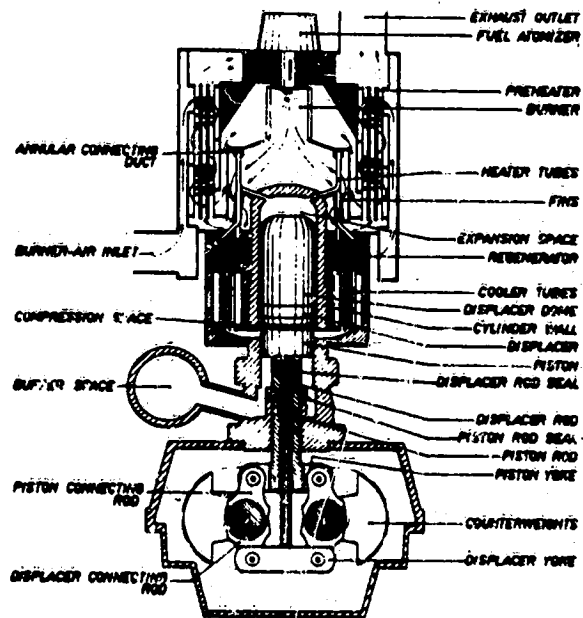


Figure 3-2. Cross Section of a Rhombic Drive Engine.

REPRODUCIBILITY OF THE
ORIGINAL PAGE IS POOR

3.1.2 The 4-215 Engine (77 k, 77 aq)

The development of the 4-215 engine started at Philips, Eindhoven, in mid 1972. Figure 3-3 shows a cross section and a picture of this engine. It uses the Rinia arrangement with 4 double-acting pistons with a swashplate drive. The major innovations incorporated into the 4-215 engine over previous swashplate engines are shown in Table 3-1. This engine was installed in a Ford Torino 4500 lb inertia weight vehicle. The best fuel economy in the vehicle was found to be 12.6 MPG on the Metro-Highway driving cycle (See Figure 3-4). This is significantly less than the 15.5 MPG that the conventional vehicle would get with emission controls. Ford has already made improvements in the engine and dynamometer tests have resulted in a simulated 14.4 MPG. Ford believes that with additional improvements now underway the objective of 15.7 MPG by October, 1978 will be reached. Ford has identified a series of modifications to the present engine which should realize a 30% improvement in gas mileage to 20.2 MPG by the end of the 160 million dollar program with DOE in 1985. Further out is the expectation that if ceramics like silicon carbide and silicon nitride can be substituted for the expensive nickel alloy hot ends, that the MPG would go to 23.2, the engine costs would drop and many more engines could be made with the available resources. Stephens, et al (77 at) calculate that 300,000 engines would consume as much cobalt as all the United States used in 1976. Scarce materials like cobalt and nickel and chromium must be used sparingly.

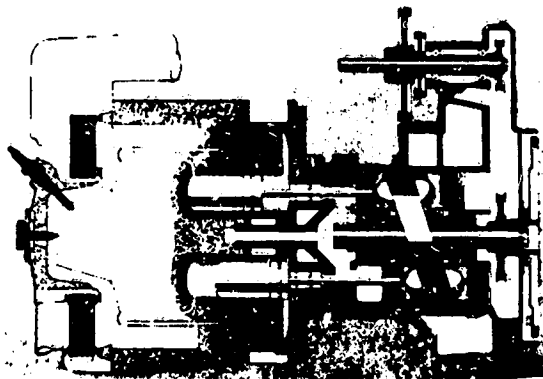
One of the big reasons DOE is interested in Stirling engines is that it can have high fuel economy and low pollution and low noise. Figure 3-5 shows that Ford has not been able to meet emissions standards with the vehicle engine. Previously conducted combustor rig tests at steady operating points showed very low pollution levels. Ford expects with further development to meet emission standards.

The results of other tests (Table 3-2) show that the engine is about 50 lbs over weight objective. The slower start-up and acceleration is attributed to a higher pressure drop through the combustion side of the engine than was anticipated.

Table 3-3 shows the present status and the objectives of the eight year Ford/NASA/DOE development program. Improvements in a number of categories are anticipated. However, for the program to be successful the big development has to be to lower cost. This aspect has been Ford's main concern from the beginning. Although nothing has been published on this most vital aspect, Ford must see a way to make Stirling engines economically attractive or they would not continue the program. Like any other development program, Ford has encountered quite a number of problems. Table 3-4 shows the major technical problems they have encountered and resolved. Table 3-5 shows the major technical problems but not yet resolved. These certainly are major problems but there is nothing of a basic nature. During this development program, Ford intends to utilize the same basic engine concept but with improvements in components, auxiliaries, and drive to achieve the stated objectives.

3.1.3 The 4-98 Engine (77 k)

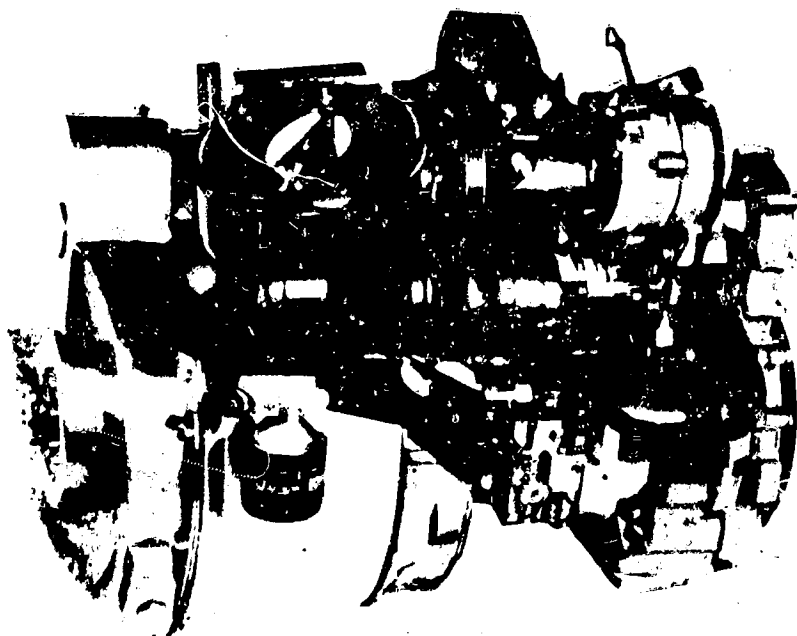
The 4-98 Stirling engine is so far a design study of a down-sized version



◀ 4-215 170 H.P. ENGINE

- LENGTH — 36.5 INCHES
- WIDTH (MAX) — 26.0 INCHES
- HEIGHT (MAX) — 27.3 INCHES
- WEIGHT (LBS) — 713
- DISPLACEMENT
(PER CYLINDER) — 215 CC
- DESIGN SPEED — 4500 RPM
(MAX)

a. Cross Section



b. Assembled

Figure 3-3. Philips-Ford 2-215 Engine

REPRODUCIBILITY OF THE
ORIGINAL PAGE IS POOR

Table 3-1
Major Innovations in the 4-215 Engine
(Reference 77 aq)

- 200 atmospheres working gas pressure vs. 150 atmospheres for previous engines.
- First engine with rotary ceramic preheater system.
- New air/fuel control system to satisfy dynamic requirements.
- New power control system for automobile demands.
- Three times larger than previous swash plate engines.
- Half the specific weight of previous Stirling engines.
- Packageable within existing engine compartments.
- 4000 rpm capability vs. 2000-3000 rpm of rhombic drives.
- First engine with exhaust gas recirculation.
- Unique coolant flow through cooling units.
- New lubrication system.
- First engine designed to drive full range of automotive type accessories.

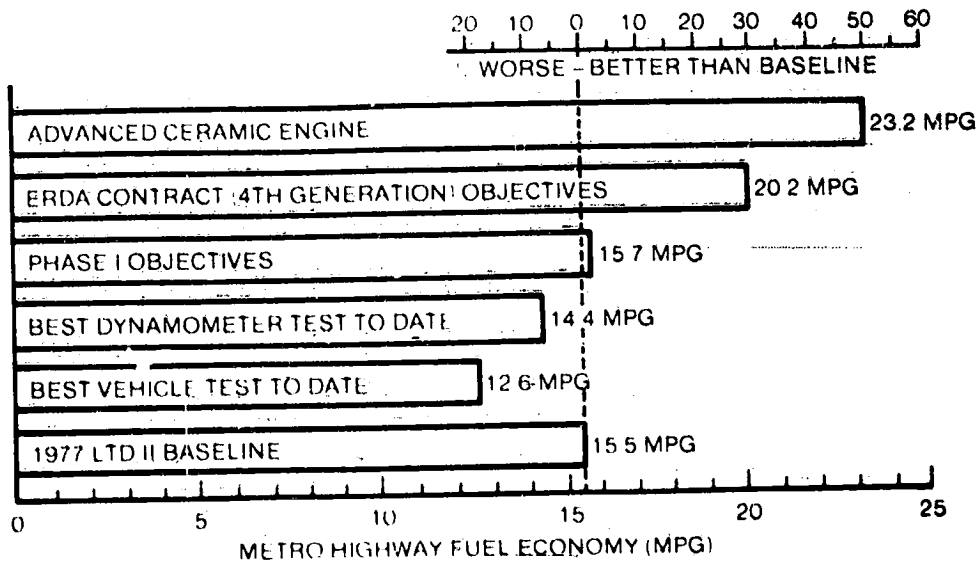


Figure 3-4. Stirling Engine Fuel Economy.

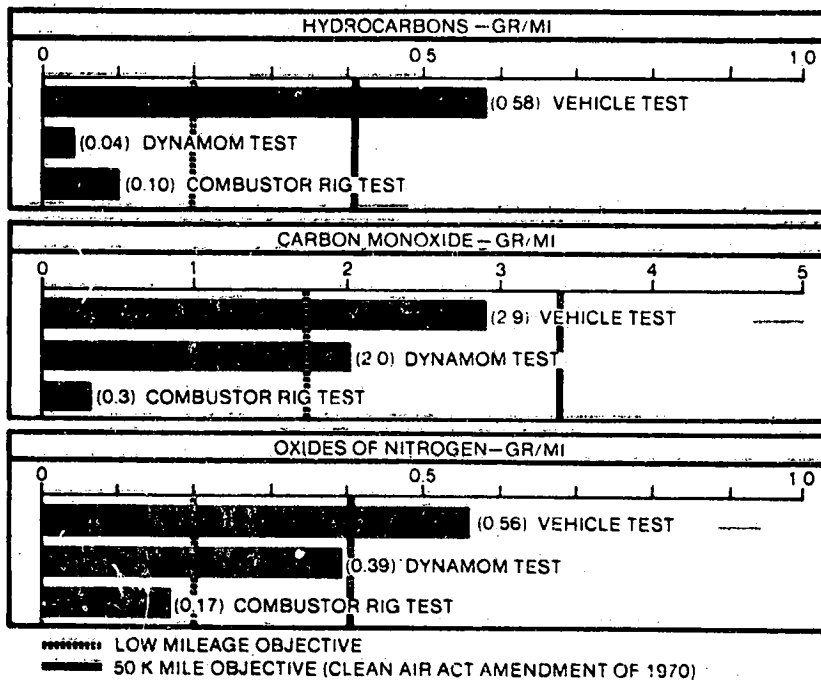


Figure 3-5. Stirling Engine Emissions.

Table 3-2.
 Other Ford Vehicle Test Results
 (Reference 77 aq)

Acceleration (0-60 MPH Time)

Dynamometer Test = 16.0 Sec.
 Objectives = 12.7 Sec.

Vehicle Weight (Curb)

Measured = 106 lbs. over baseline
 Objectives = 50 lbs. over baseline

Start Up Time (Key-on To Driveaway)

Measured = 24 Sec.
 Objectives = 15 Sec.

Table 3-3
 Ford Phase I Functional Status Vs. Objectives
 (Reference 77 aq)

No.	Criteria	Phase I Objective	Veh. Test	Status Summary		
				Projected From Dyno Test	Estimated PH I Capability	Projected 4th Gen. Capability
1	Emissions (Low Mileage)					
	HC (Max GM/Mile)	0.20	0.58	0.04	0.20	0.20
	CO (Max GM/Mile)	1.70	2.90	3.01	2.70	1.70
	NO _x (Max GM/Mile)	0.20	0.56	0.38	0.35	0.20
2	Fuel Economy (MPG-M/H)	15.7	12.6	14.4	15.4	20.6
3	Performance (0-60 mph Time, sec.)	12.7		16.0	14.0	12.7
4	Noise Level (SAE J986a-DBA)	70			70	70
5	Warm-up Time (Key on to Driveaway sec.)	15.0			24.0	24.0
6	Driveability (Jury Rating)	6.0			6.0	6.0
7	Curb Weight (Max lbs. over Baseline)	50	106		8	0
8	Hydrogen Leakage Rate (% Loss Per Yr.)	15.0				15.0

Table 3-4
Major Technical Problems Encountered
and Resolved on Philips-Ford Program
(Reference 77 aq)

- Swashplate surface galling.
- Drive system noise due to non-concentric crossheads.
- Regenerator end-plate bending.
- Crankcase failure.
- Engine out of balance.
- Piston attachment failure.
- Insufficient exhaust gas recirculation.
- Unstable air/fuel control system.
- Power control contamination.

Table 3-5
Problems Encountered Yet To Be Resolved
on Philips-Ford Program
(Reference 77 aq)

- Roll sock seal system failure.
- Preheater leakage.
- Preheater binding.
- Fuel burning on preheater core.
- Heaterhead temperature distribution.
- Excessive warm-up time.
- Insufficient burner air supply.
- Power control instability.
- Heater head cracking.

of the 4-215 engine to be used for smaller cars which will be more common in the future. Figure 3-6 shows a section of this engine and gives some pertinent parameters. Other dimensions like the number and size of the heater head tubes, the number and size of the cooler tubes, piston diameter, regenerator wire diameters, etc., were also chosen. Many cases were evaluated to select an optimum design. The calculated performance of this optimum design is shown in Figure 3-7. Note that although the design point is at 5,400 rpm the best torque and efficiency is at 2,000 rpm. Note that the torque is exactly proportional to mean pressure. This engine performance map is used along with the characteristics of the vehicle and the requirements of the particular driving cycle to compute the vehicle performance characteristics like fuel economy, rate of acceleration, etc.

A new engine must usually fit into the engine compartment of the existing vehicle. Figure 3-8 shows the result of a design study by Ford on how the 4-98 engine would fit in a 1976 Pinto. This engine in this arrangement required that the car be lengthened 3.2 inches to accommodate it. Therefore, a front wheel drive arrangement was studied. Figure 3-9 shows that this way the engine fits well under the hood and permits a shorter front end overhang than the conventionally powered 1976 Pinto. The accessory drive arrangement is somewhat more complex, however, due to the fact that neither the fan nor the preheater drive shaft is parallel to the engine crank axis.

3.2 United Stirling Engines (77 i, 77 j, 77 a1, 77 am)

KB United Stirling (Sweden) AB & Co., was organized in 1968 as a research and development company jointly owned by Kockums and FFV. Kockums is a publicly owned company having its main business in shipbuilding and lumber industry. FFV is a government-owned industrial group. United Stirling is a licensee of NV Philips Company. United Stirling started by building rhombic drive machines. They then started on Rinja arrangement machines but have not used the swashplate of Philips but have used more nearly conventional crank drives. They also do not now use the roll-sock seal that Philips employs but have developed their own mechanical seal.

3.2.1 Application Plan

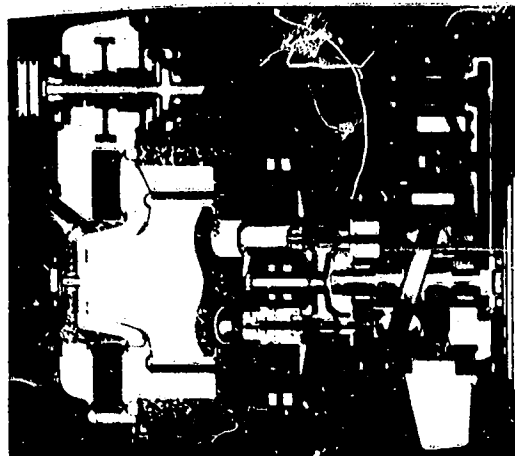
United Stirling is planning a product line of 3 engines (See Table 3-6). All three engines are intended to be available as direct flame heated versions as well as heat pipe heated versions.

United Stirling has evaluated the market for Stirling engines. They feel that the market will be penetrated starting from the upper left hand corner of Figure 3-10 and proceeding through the applications in "waves of attack". Note that in this plan Taxis and Cars would be the last application. However, if a large amount of assistance is forthcoming from DOE based upon application of the United Stirling engine to cars, this segment of the market will obviously receive early attention.

United Stirling publications indicate that field testing of preproduction prototypes will start in 1979 with mine vehicles in a Swedish iron ore mine. Figure 3-11 shows how their P-150 engine will occupy essentially the same space as the Diesel engine it replaces. United Stirling plans to give high priority to total energy systems which use 40-140 KW Stirling engines to power

4-98 84 H.P. ENGINE ▸

- LENGTH — 25.5 INCHES
- WIDTH (MAX) — 20.6 INCHES
- HEIGHT (MAX) — 23.0 INCHES
- WEIGHT (LBS) — 374
- DISPLACEMENT
(PER CYLINDER) — 98 CC
- DESIGN SPEED — 5400 RPM
(MAX)



MAJOR CYCLE & COMPONENT DESIGN PARAMETERS FOR THE 4-98 STIRLING ENGINE

CYCLE PARAMETERS

- MAX MEAN PRESSURE — 200 ATM
- WORKING GAS — HYDROGEN
- HEATER INSIDE WALL TEMP. — 1023 K (1382 F)
- COOLER INSIDE WALL TEMP. — 353 K (176 F)
- MAX. ENGINE SPEED — 5400 RPM

COMPONENT PARAMETERS

- NUMBER OF CYLINDERS — 4
- SWASHPLATE ANGLE — 18
- SWEEPED VOLUME/CYLINDER — 98 CM³
- VOLUMETRIC RATIO OF EXPANSION — COMPRESSION — 1.10
- REGENERATOR FILLING FACTOR — 38%

Figure 3.6. The 4-98 Engine Partial Description

Figure 3-7.
4-98 STIRLING
ENGINE
NET TORQUE
VS.
ENGINE SPEED

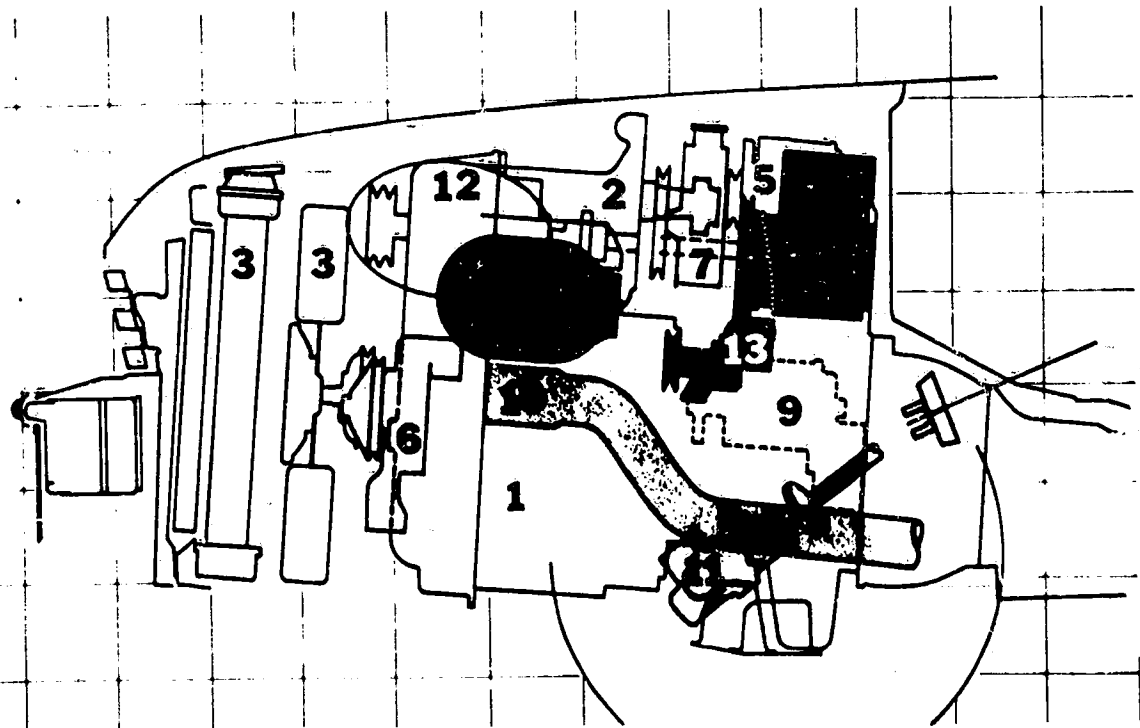
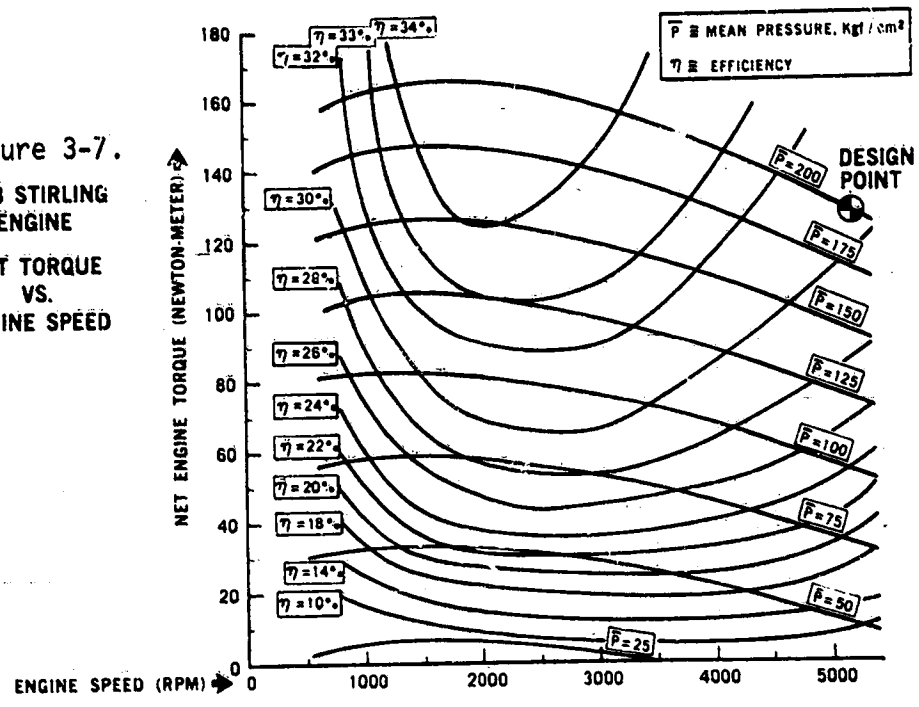


Figure 3-8. Packaging of the Ford 4-98 engine in a 1976 Pinto, Rear Wheel Drive.
 1) Basic Engine, 2) Blower, 3) Radiator and Fan, 4) Air Conditioning Compressor/Optional, 5) Alternator, 6) Water Pump, 7) Power Steering Pump, 8) Hydrogen Storage Bottle, 9) Starter/Blower Motor, 10) Exhaust System, 11) Steering System, 12) Air Cleaner, 13) Air Atomizing Compressor.

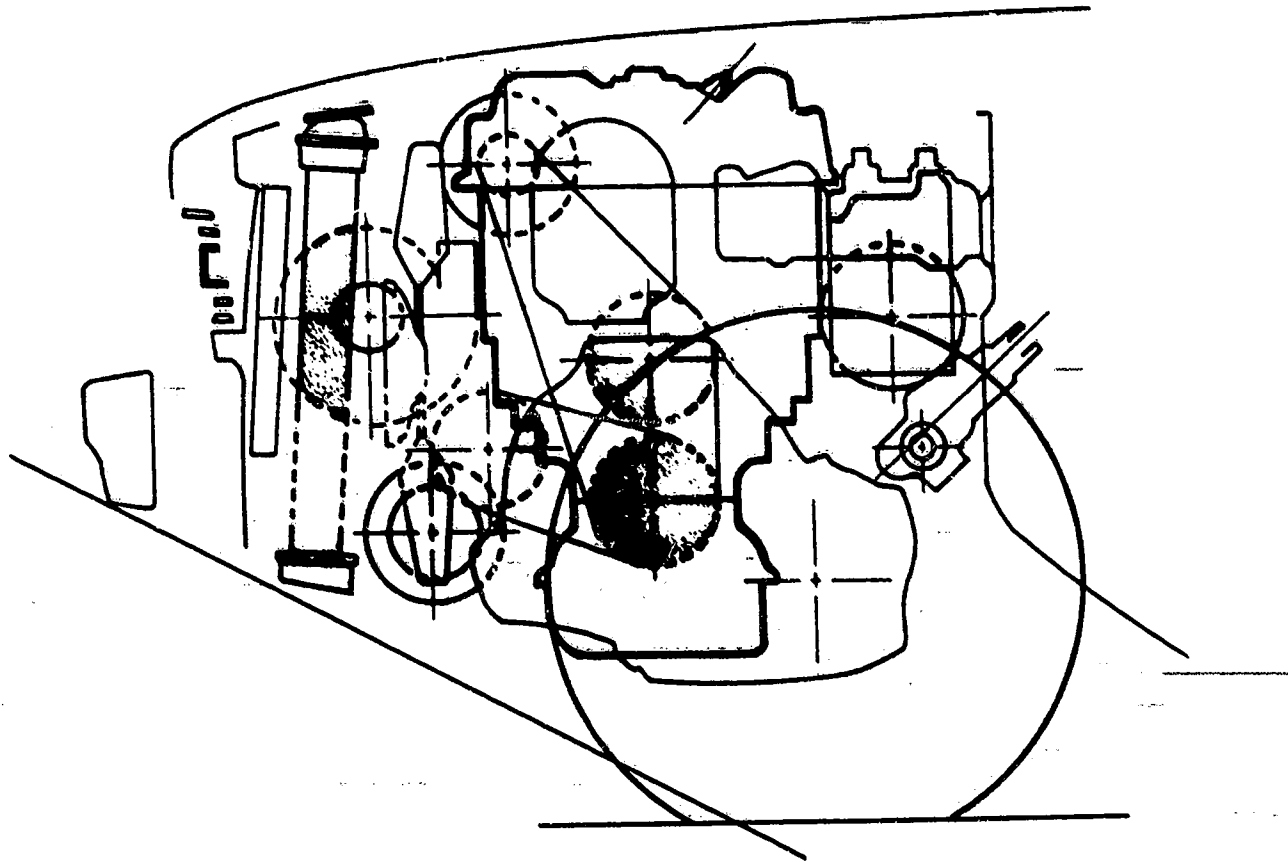


Figure 3-9. Packaging of the Ford 4-98 Engine in a 1976 Pinto, Front Wheel Drive.

Table 3-6. Performance Targets for United Stirling Product Line

<u>Engine Number</u>	<u>P40</u>	<u>P75</u>	<u>P150</u>
Power	40 KW	75 KW	150 KW
RPM	4000	2400	2400
Number of cyl.	4	4	8
Max efficiency (installed in vehicles)	35%	37%	37%
Weight (with auxiliaries)	180 kg	350 kg	650 kg

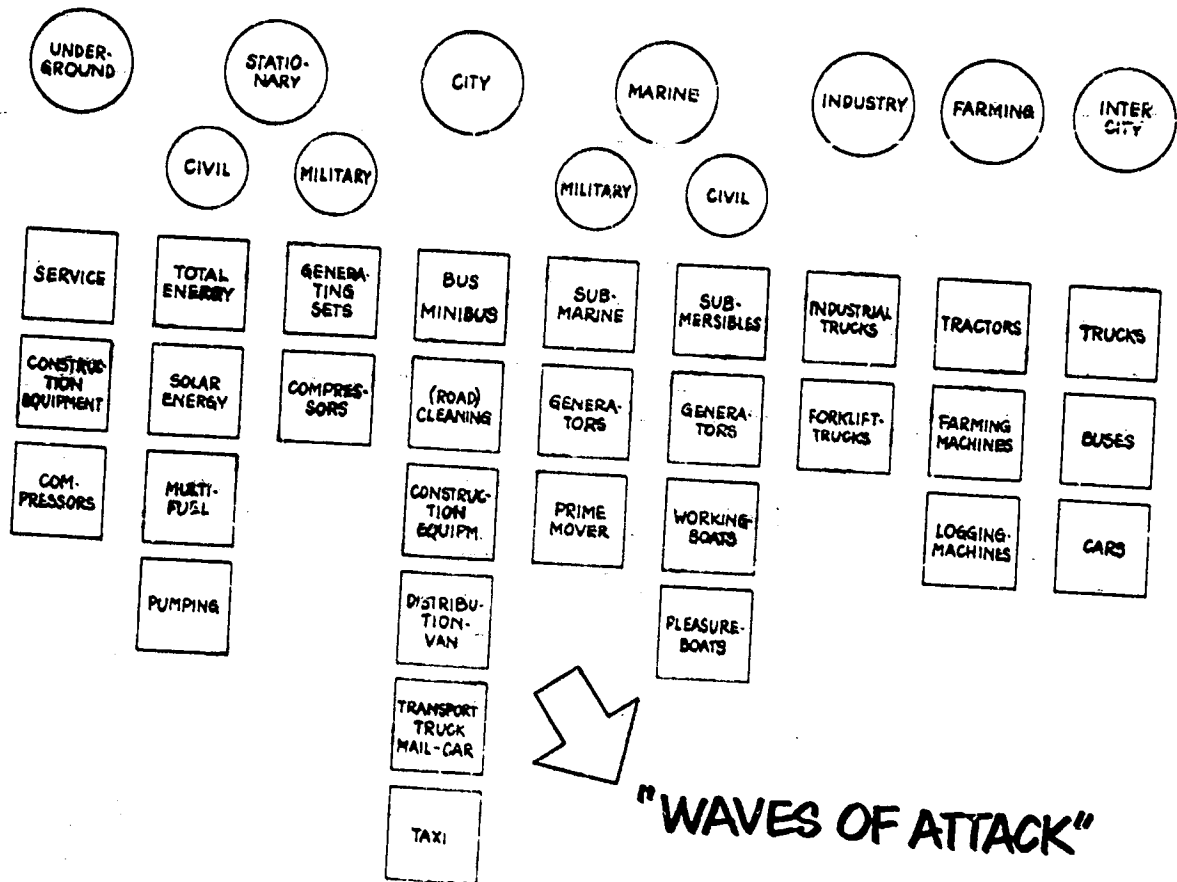


Figure 3-10. United Stirling Application Plan.

electric generators and heat pumps. These would be used in shopping centers or apartment houses. United Stirling expects to realize a 45% fuel saving compared to a conventional furnace.

After this, United Stirling sees the next important application will be the city bus. Traffic authorities in many metropolitan areas are reportedly interested in obtaining engines for testing as soon as possible. United Stirling's plans would allow this to happen in 1979. At present, United Stirling has four P75 engines of the V type on test in their laboratory. They have their V4X35 experimental engine installed in a Ford Taurus station wagon for the purpose of testing engine control.

3.2.2 Engine Design

United Stirling's production engines are now expected to look like Figure 3-12. The P-40 and P-75 will have two cranks on each of two crankshafts geared to a common drive shaft. The P-150 will be two P-75's combined into one block. The four connecting rods drive the four double-acting pistons through cross heads to take the side thrust. An oil pump pressure lubricates these working parts. The different components of the engine design will now be discussed starting with the seal which is the principle design problem.

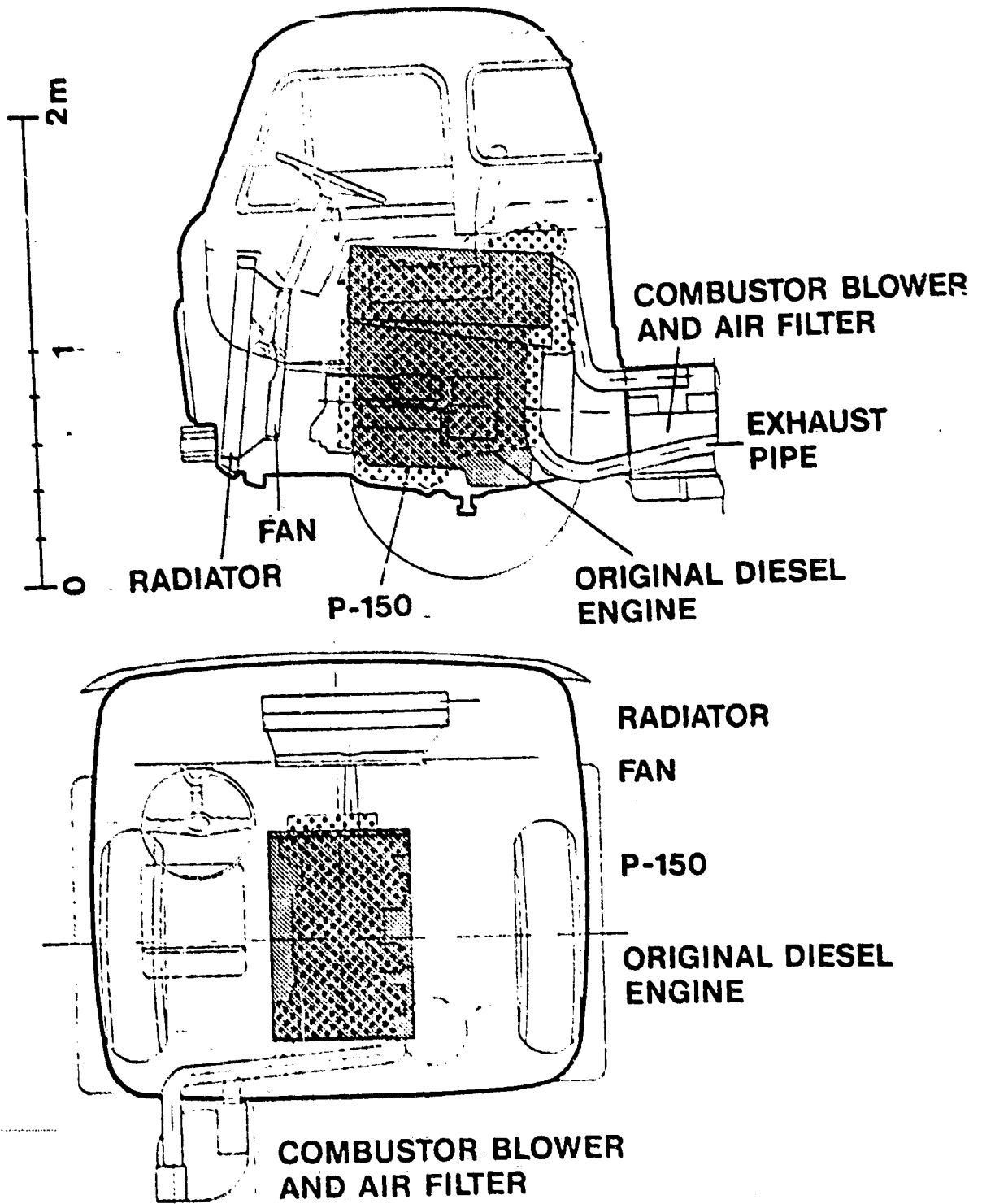


Figure 3-11. United Stirling P-150 Engine in a Truck.

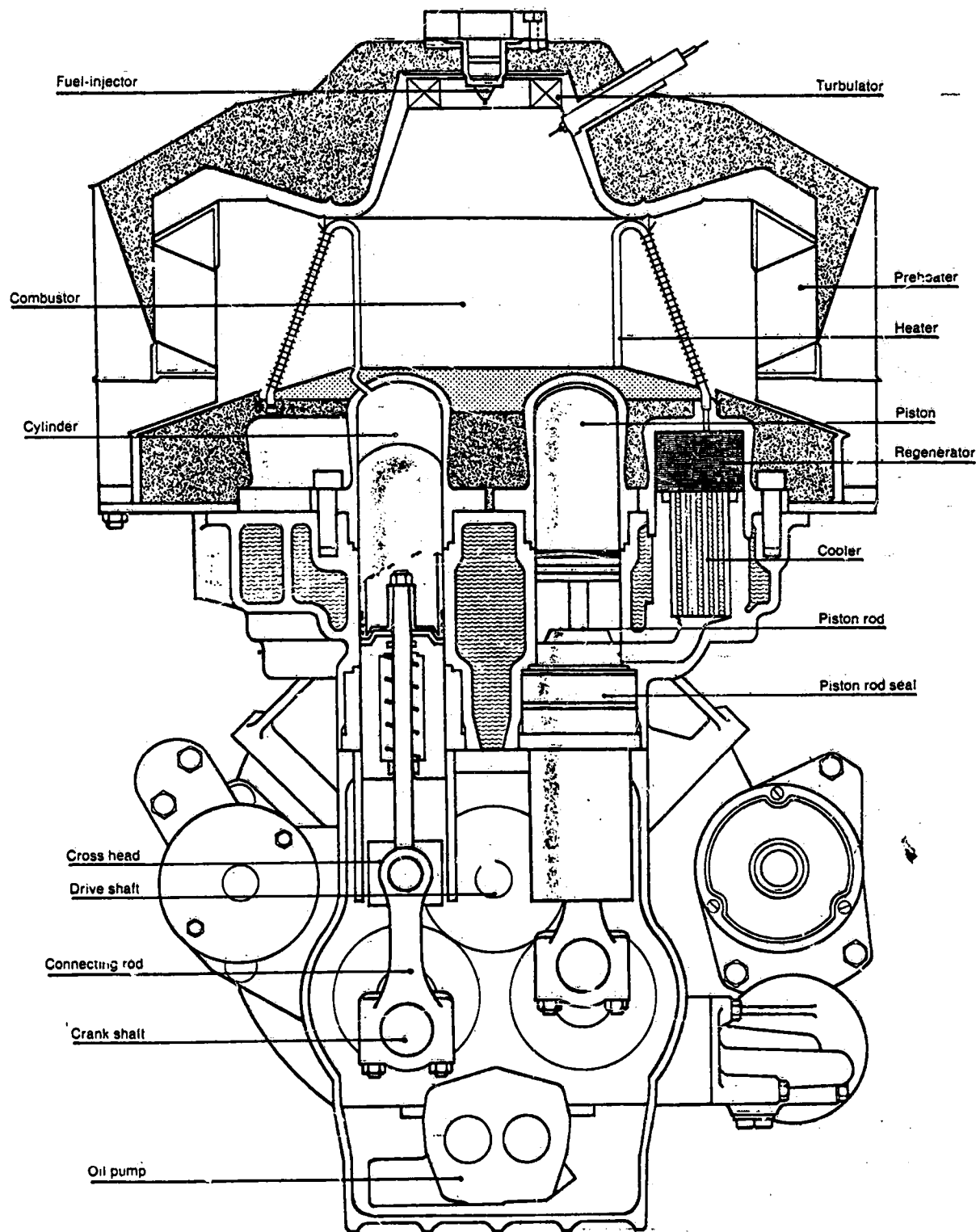


Figure 3-12. Concept for United Stirling Production Engines.

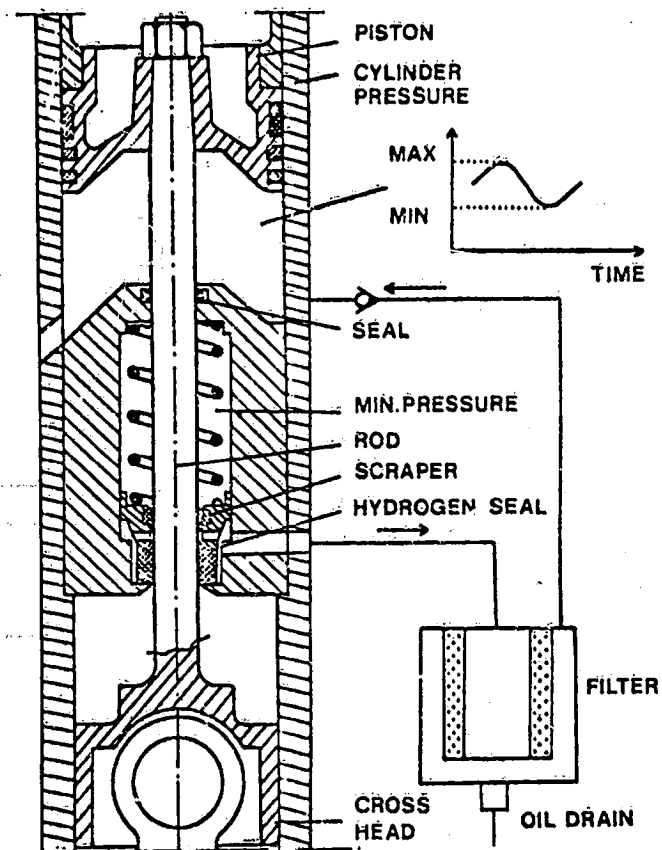


Figure 3-13. The United Stirling Rod Seal.

3.2.2.1 Seals

The seal for this engine is presented in Figure 3-13. United Stirling reports that this seal has been tested for several thousand hours in component and in engine test rigs and has gradually been developed to its present satisfactory state. The three elements of the seal are:

1. The top seal element. This seal is dry. The shaft passing through the seal has not been wet with oil. The seal seals between a varying engine pressure and the minimum engine pressure below the seal. This minimum cycle pressure is maintained by a check valve that also brings leaking working gas back into the cycle.
2. The scraper ring. This element removes the excess lubricating oil from the piston rod. Oil scraped away drains to an oil-gas separator and thence back to the crankcase.
3. The Hydrogen seal. This element maintains the pressure difference between minimum cycle pressure of the working gas and atmospheric pressure air and lubricating oil in the crank case.

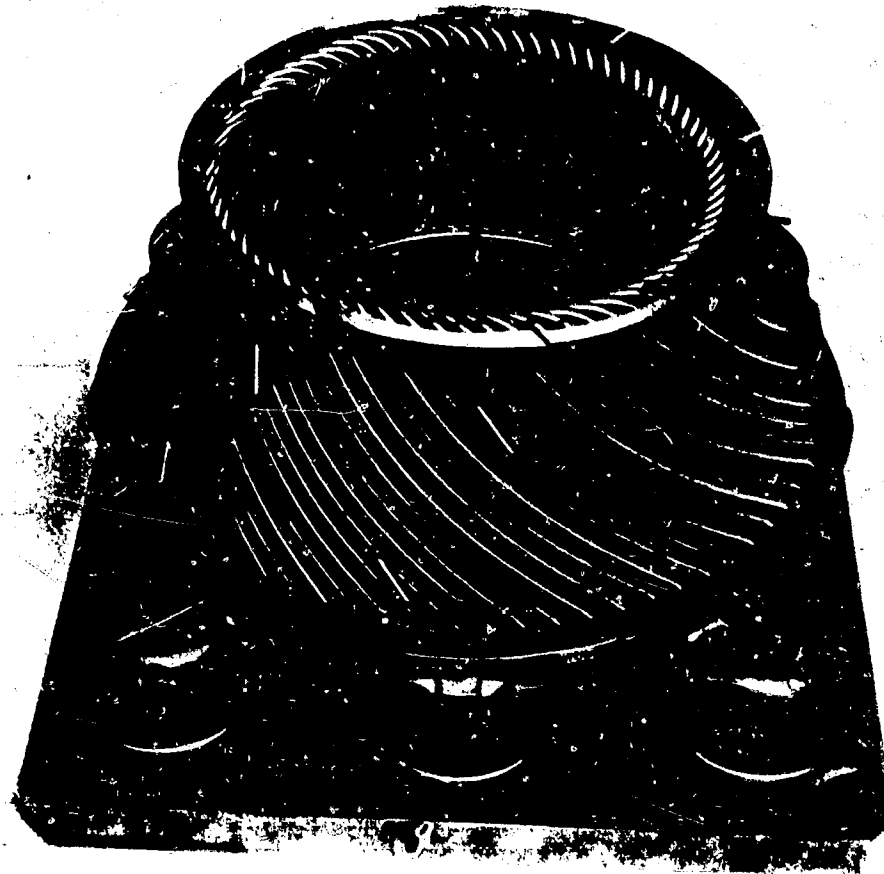


Figure 3-14. United Stirling Involute Heater.

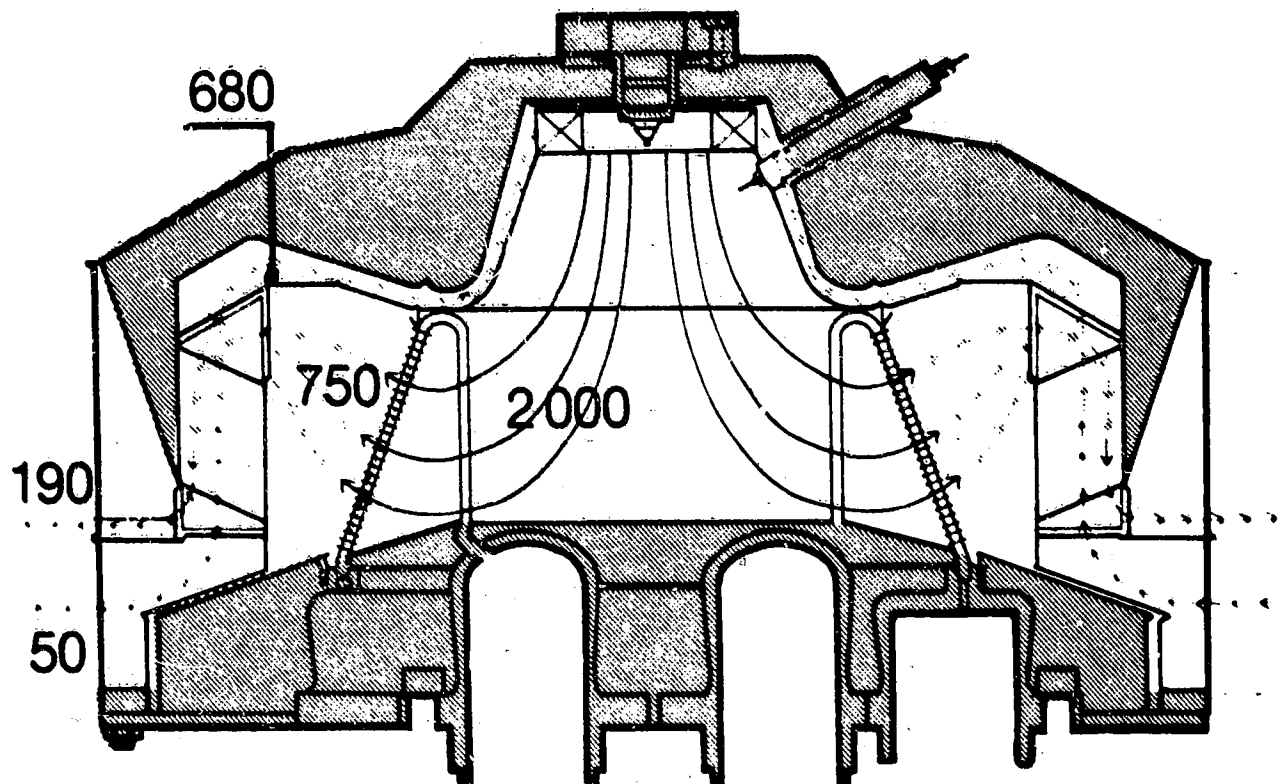
Nothing is said about the piston seals but they are probably filled Teflon piston rings since these have worked well for others particularly when the piston liner is cast iron.

3.2.2.2 Gas Cooler

The gas cooler consists of many small tubes the same as the Philips engines. The regenerator is a porous mass probably also the same as in the Philips engine. These parts have to transfer the heat with little flow friction and little dead volume. An optimum design is very important to engine performance as well as cost.

3.2.2.3 Gas Heater

The gas heater to be used on United Stirling production engines is of the involute type (See Figure 3-12 and 3-14). Each of the V tubes in the ring is the same. Its inner leg is bare and straight up. Its outer leg is finned, slanted and curved so that the tubes maintain an even spacing. This gas heater was considered the best by USS from the standpoint of performance and production cost.



Airflow in a Stirling engine. Temp (C°)

Figure 3-15. United Stirling Burner and Air Preheater.

3.2.2.4 Burner and Air Preheater

The burner and air preheater is different than the Philips engine previously described. This air preheater is the counterflow type (See Figure 3-15). This substitution eliminates the machinery needed to rotate the reversing flow matrix and seal the matrix as it rotates as done in the Ford-Philips design. On the other hand, it is difficult to pack in as much surface area for heat transfer in the limited space available using the counter flow heat exchanger. No real information is yet available on the United Stirling air preheater.

The burner burns atomized fuel with swirling preheated air. Possibly secondary air is added. Figure 3-15 shows that the hot gases from the burner enter the gas heater at 2,000 C and leave at 750 C. This exhaust leaves the air preheater at 190 C. This drop from 750 C to 190 C raises incoming combustion air from 50 C to 680 C.

This burner system can get the engine started rapidly from a cold start. Figure 3-16 shows how this is done. "The heater tubes in a Stirling engine must be heated up before the starter motor is engaged. The burner blower, normally driven by the engine, is driven by a separate electric motor during the heating-up period. When the heater tube temperature has reached 400-

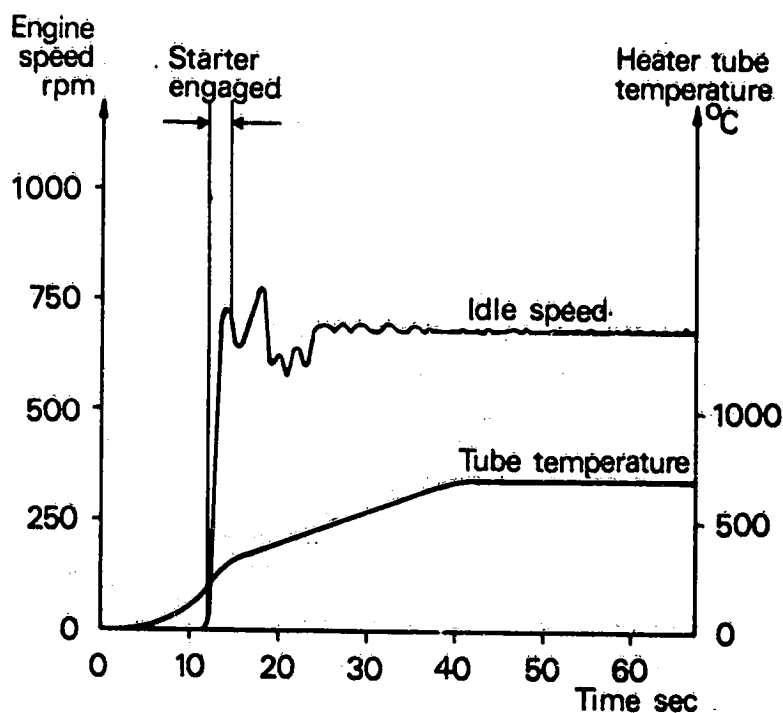


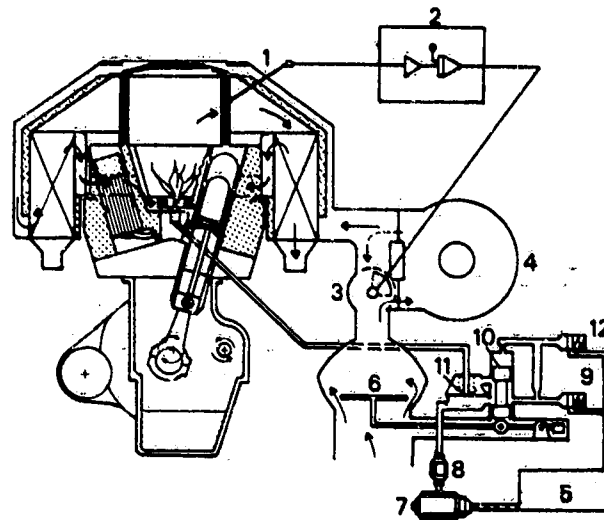
Figure 3-16. Cold Starting Sequence for the United Stirling V4X35 Engine.

300 C, the starter is engaged. According to Figure 3-16, after 12 seconds of heating-up, the starter is engaged for about 2 seconds. The engine now runs at idle speed and a driver would have been able to drive away. After and additional 30 seconds the heater temperature has reached its normal level and the engine can deliver full power. This start represents 20 C ambient temperature. Tests at -32 C have been made with a slight increase in cranking time due to higher hydrodynamic losses in the drive mechanism." (77 i).

The burner system must supply heat rapidly as is seen, but it also must not overheat the working gas heater. A control system to do this is shown in Figure 3-17. An explanation from reference 77 i is given below.

With varying demand for heat in the working cycle of the engine, the air/fuel flow is controlled in such a way that heater temperature is kept constant. Thus the air/fuel control is indirectly governed by the power control. In addition the air/fuel ratio is controlled with regard to emissions. Figure 3-17 shows a system, where a Bosch K-Jetronic unit is used.

The temperature of the heater tube is measured by a thermocouple 1. The signal of the thermocouple is amplified and converted in the electronic control unit 2 to a signal controlling the position of the air throttle 3. Thus the right amount of air is delivered to the combustor via the burner air blower 4. In a slightly modified Bosch K-Jetronic unit a sensor plate 6 installed inside a conical air



- | | |
|---------------------------|--------------------------------|
| 1 Thermocouple | 6 Sensor plate |
| 2 Electronic control unit | 7 Fuel pump |
| 3 Air throttle | 8 Filter |
| 4 Burner air blower | 9 Relief valve |
| 5 Fuel tank | 10 Plunger |
| | 11 Differential pressure valve |
| | 12 Pressure regulating valve |

Figure 3-17. Temperature and Air-Fuel Control.

passage provides a position indication of air flow rate.

The fuel from the tank 5 passes an electric pump 7 and a filter 8. The fuel pressure is held constant by a relief valve 9. The position of the sensor plate controls via a plunger 10 the amount by which a fuel metering port is opened.

The differential pressure across the metering port is maintained at a constant value by a valve 11 so that the fuel flow to the atomizer depends upon the amount the port is opened only.

The air/fuel ratio depends upon the hydraulic counter pressure controlled by a pressure regulating valve 12. Adjustment of the ratio over the load range can be achieved by a modification of the shape of the conical air passage.

3.2.2.5 Power Control

Power control of the engine is now done by changing the average gas pressure in the engine. This is the same way Philips does it although United Stirling had used dead volume control on their engine they put into a Pinto for Ford. United Stirling uses one hydrogen gas compressor operating as an auxiliary, and Philips uses two pistons on each of the four power pistons as part of an internal gas compressor. Otherwise the process is very similar. Quoting again from reference 77 i:

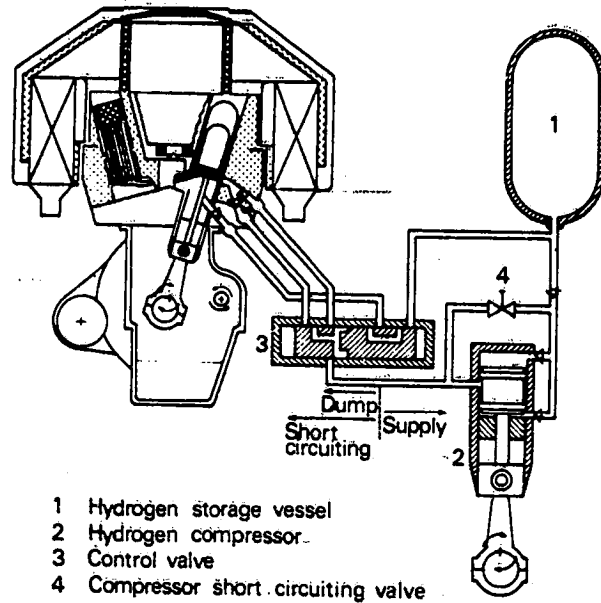


Figure 3-18. Simplified Diagram of the Power Control System.

A simplified diagram of the power control system is shown in Figure 3-18. Main parts of the system are hydrogen storage vessel, hydrogen compressor, control valve block and a servo-system (not shown) which controls the position of the control valve.

To increase power, the control valve slide in Figure 3-18 is moved to the right. Thereby hydrogen flows from the high pressure storage vessel via the control valve to a timed supply system built into the engine. This timed supply system mainly supplies hydrogen into the cylinders when the cycle pressure is near its maximum value. A gas flow into the cylinders without the timed supply system results in an undesirable torque drop during increase of pressure.

To decrease power the slide is moved to the left. During the first part of the movement dumping of hydrogen from the engine via the compressor to the storage vessel lowers the power output. At the second part short circuiting of hydrogen between the cylinders is added, thus giving a quick decrease of power.

The link between accelerator pedal and control valve is a servosystem which for different accelerator levels moves the control valve slide in such a way that an engine pressure corresponding to desired power output will be reached and maintained.

Low idling speed is maintained by control of appropriate working pressure, using a speed sensor and the short circuiting valve.

The hydrogen compressor is an oil-free, single

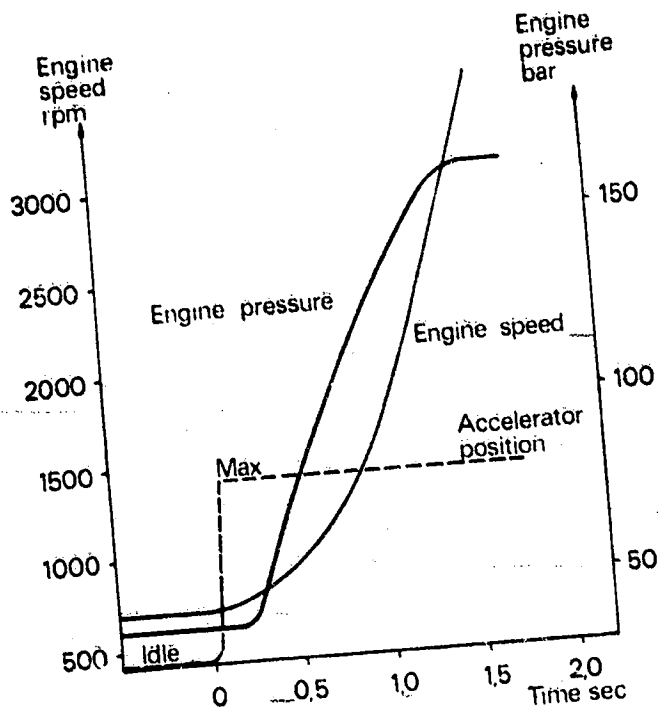


Figure 3-19. Speed and Pressure Response for the United Stirling V4X35 Engine.

stage, double-acting compressor with piston rings acting as suction valves. The displacement is 10 cubic cm and the pressure ratio is 1:10.

To unload the compressor during increase of power and steady state conditions, the suction and pressure sides of the compressor are connected to each other by a compressor short circuiting valve.

To illustrate how rapidly this power control system operated, the V4X35 engine, equipped with all auxiliaries, was disengaged from the

dynamometer and speed increase and pressure response were measured. Figure 3-19 shows speed and pressure increase versus time for the free running V4X35 engine when the accelerator is suddenly depressed.

(Note: A slight short circuiting effect is maintained at low idling. Depressing the accelerator will close the short circuiting valve and start engine acceleration before pressure increases, see Figure 3-19.)

The tests show that the power control system acts fast and accurately. No torque drop could be measured and the lag time between accelerator depression and valve response was short." (from 77 i)

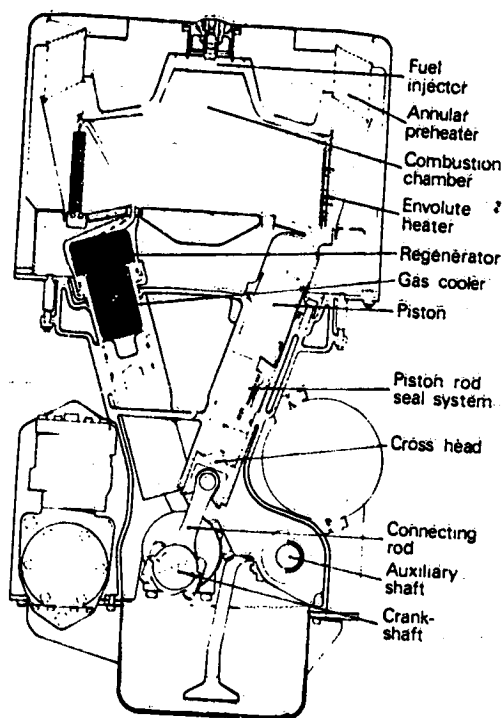


Figure 3-20. Cross Section of Double-Acting V8 P150 Engine Developing 150 KW at 2400 rpm.

3.2.3 Engine Performance

Finally, some performance measurements have been published for the P150V4 engine which is also sometimes called the P75 engine since it is half the P150V8 engine. Figure 3-20 shows a cross section of this engine and Figure 3-21 shows this engine with its auxiliaries attached. Figure 3-22 shows the measured and calculated power output and efficiency for two different mean pressure levels. Note that the calculated and measured values agree closely. The maximum efficiency is 32% at 70 C cooling water. If the ambient temperature is 30 C then a 0.8 m² area radiator would be needed (77 i). If it is used as a marine engine, efficiency increases to 36% at 20 C cooling water.

3.3 General Motors Engine

3.3.1 History

General Motors started a cooperative effort with N.V. Philips in 1958. In 1965, GM was able to state that "The Allison Division, the Electro-Motive Division and the Research Laboratories have operated full-size, modern, practical Stirling engines for a total of 6500 hours," (65 t). Eventually, about 31,000 hours of operating time were accumulated (74 bc). The last paper from GM (69 f) talked about a 4 cylinder inline Rinja type engine and reported on the initial swashplate drive tests. About this time the GM program was cancelled never to be revived after an expenditure, reportedly, of \$13 million from GM. From about 1960 to about 1966 GM Research conducted a program for the U.S. Army to produce a silent electric power source. This Ground Power Unit (GPU) development went through three different models.

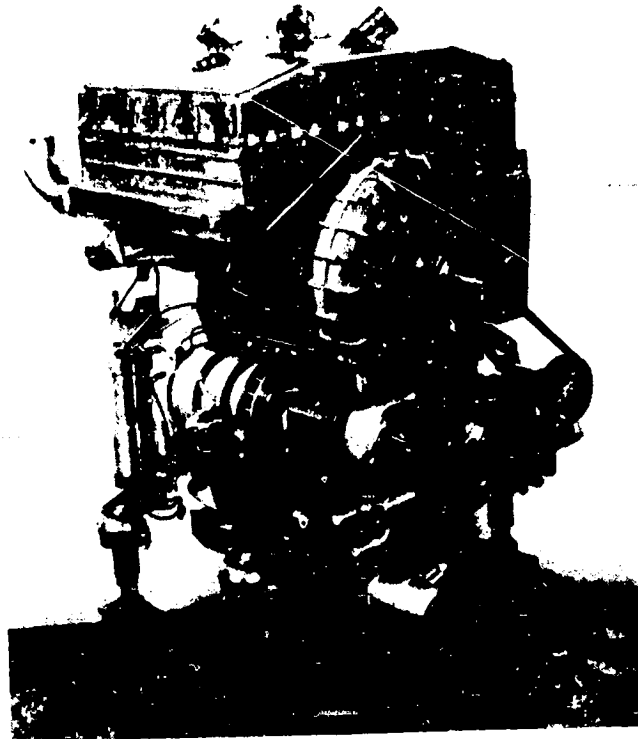


Figure 3-21. P150 V4 Engine Module with Auxiliaries.

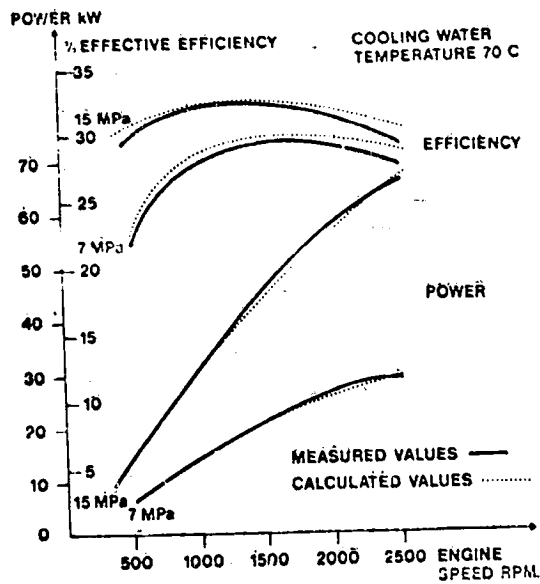


Figure 3-22. Performance Results for P150 V4 Module of P150 Engine Showing Present Development Status (United Stirling).

REPRODUCIBILITY OF THE ORIGINAL PAGE IS POOR

3.3.2 NASA-Lewis Testing

Two of the last model GPU-3 were preserved and are now being used by NASA-Lewis to obtain reliable measurements of a more or less modern type of Stirling engine. The first report on this effort (77 av) indicates that the machine is almost ready for detailed testing. Figure 3-23 shows the GPU-2. Tests have shown that the brake specific fuel consumption is about the same as that obtained by the Army in their acceptance testing (See Figure 3-24). However, the engine output falls short of that originally obtained by the Army (See Figure 3-25). The difference is suspected to be due to excessive leakage of gas past the power piston. This leak is being fixed and with minor repairs and additional instrumentation it will soon be ready for detailed testing (as of December 1977).

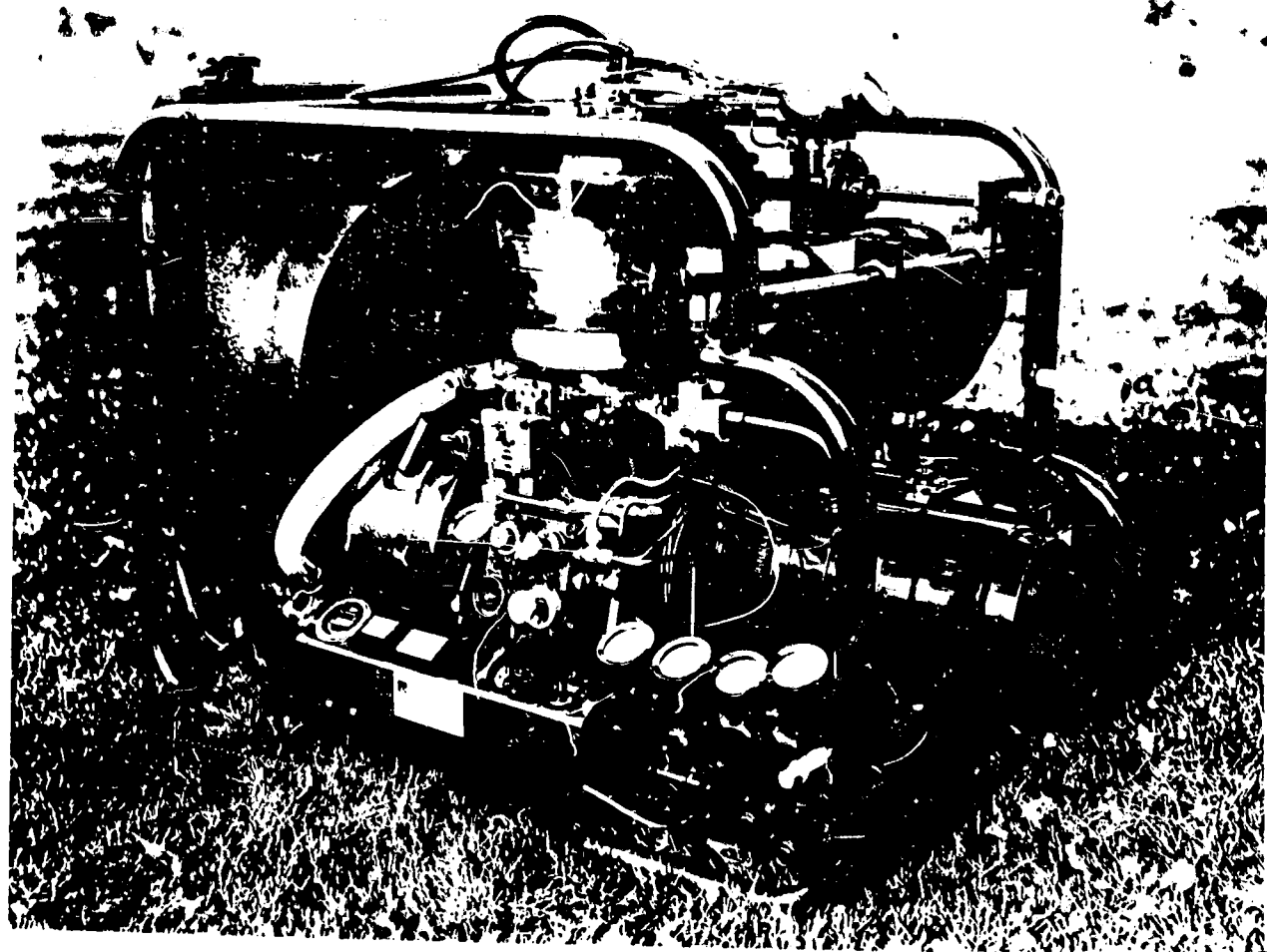


Figure 3-23. The General Motors GPU-3-2 Stirling Electric Ground Power Unit for Near Silent Operation (ref. 68 p). Picture Courtesy General Motors Research.

MEASURED SPECIFIC FUEL CONSUMPTION

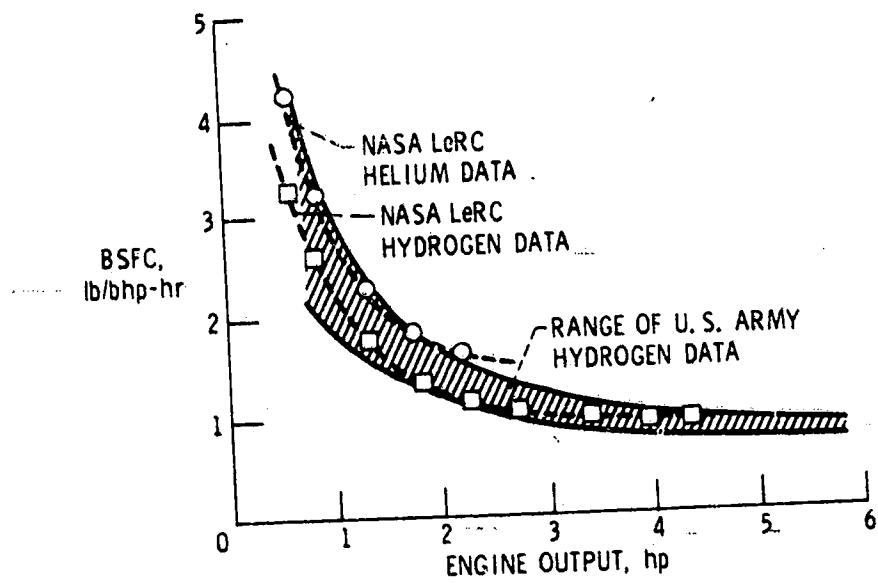


Figure 3-24. Measured Specific Fuel Consumption for the GPU-3 Engine.

MEASURED ENGINE HORSEPOWER

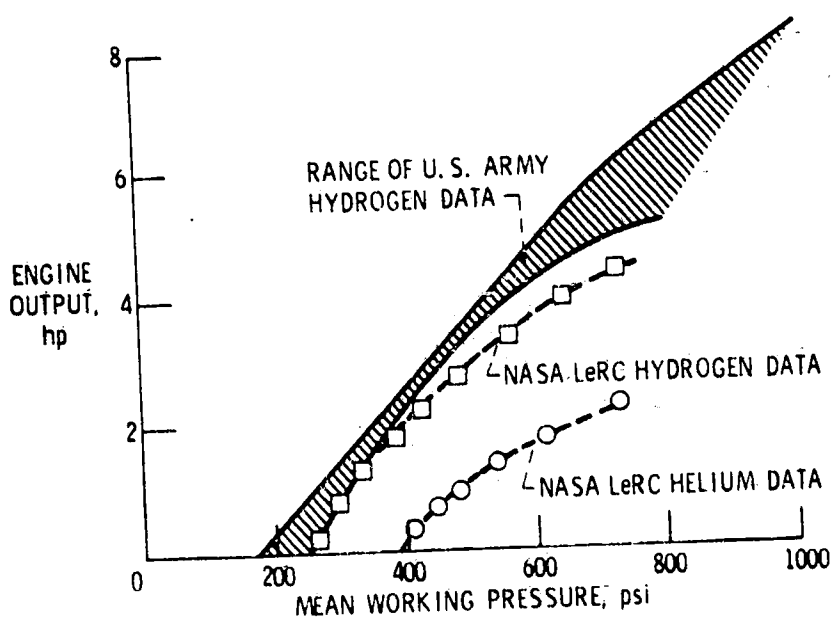


Figure 3-25. Measured Engine Horsepower for the GPU-3.

3.3.3 Engine Measurements (77 bd)

Presently available physical characteristics of the GPU are given in Table 3-7. Volume displacement tests at LeRC indicate that max. gas volume exceeds calculated volume by about 20 percent. Table 3-8 gives the test points that NASA-Lewis intends to use to compare with various analytical models. The heater temperature is measured by thermocouples in the working gas stream half way through the gas heater. It is considered to be a gas temperature rather than a metal temperature. Note that there is no good way of measuring the cooler metal temperature and the inlet water temperature is as close as they can get. The experimental data, when available, will be provided in an addendum to and/or a second edition of this manual along with updated engine dimensions.

3.4 FFV Engine

FFV is a Swedish government owned industrial group which is 50% owner of United Stirling. They have produced an engine to power an auxiliary electric power unit for commercial and military applications. A number of these engine-generators are built and are being demonstrated. The engine will be marketed in the United States by Stirling Power Systems of Ann Arbor, Michigan. This company is owned by FFV (80.5%) and Thetford Co., (19.5%), a recreational vehicle equipment supply firm of Ann Arbor, Michigan. The first technical paper on this machine will be in late 1978, and the engine generator is planned to be for sale to the general public in 1979.

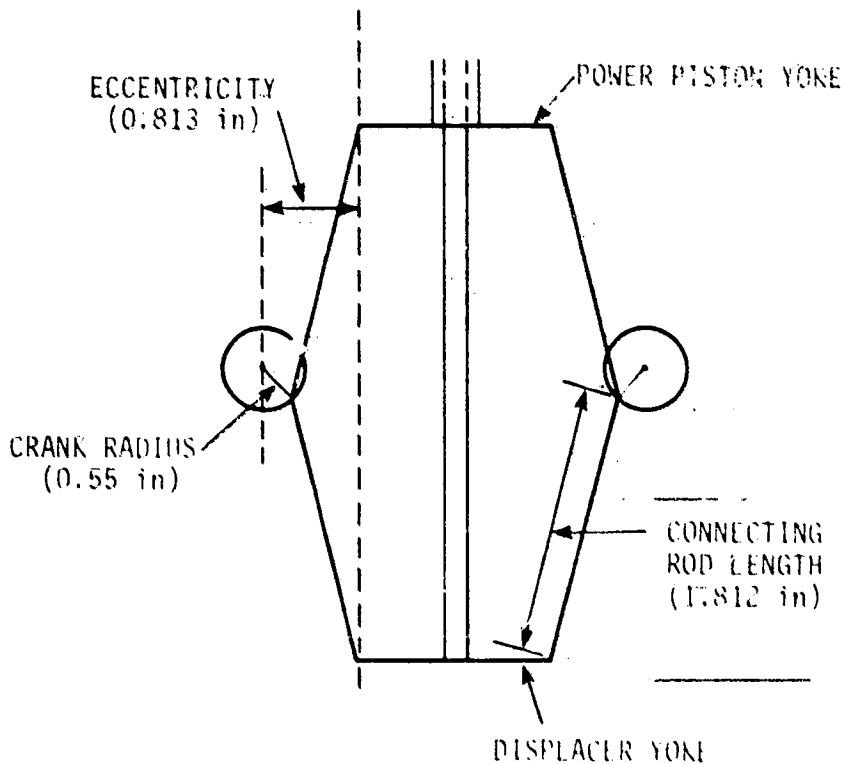


Figure 3-30: Rhombic Drive Schematic.

Table 3-7 GPU 3-2 Engine Dimensions and Parameters
 (See Figure 3-26 for Overall Engine Schematic)

No. of Cylinders	1
Type	Displacer
Drive	Rhombic
Working Fluid	H ₂
Design Speed	3000 RPM
Design Pressure	1000 PSIA
Design Output	8.0 Net Brake HP
Design Efficiency	26.5%
Bore	2.75 in.
Stroke	1.208 in.
Displacement	7.175 in. ³

Cooler (See Figure 3-29)

	OLD	NEW COOLERS*
Tube Length	1.76 in	1.813
Heat Transfer Length	1.37 in	1.408
Tube I.D.	0.040 in	.0425
Tube O.D.	0.060 in	.0625
No of Tubes/Cylinder	312 (or 39 tubes/regenerator)	
Design Water Flow	10 GPM/Cylinder	
Design Water Inlet Temp.	100°F	

Heater

Tube Length	9.539 in. →	{ 1.321 in. (completely insulated) between 1 and 2 ** 3.06 in. from 2 up to 3 3.06 in. from 3 down to 2 2.098 in. (completely insulated) from 2 down to 4
Heat Transfer Length	6.12 in.	
Tube I.D.	.119 in.	
Tube O.D.	.19 in.	
No. of tubes/cylinder	40 (or 5 tubes/regenerator)	
Design inside wall temp.	1400°F	

* New coolers will be used in the baseline tests provided they are completed in time.

** See heater tubes in Figure 3-27 for definition of locations 1 → 4

Cold End Connecting Ducts (See Figure 3-27)

Length	.625 in.	} plus .0170 in. ³ in cooler end cap.
Duct I.D.	.235 in.	
No. of ducts/cylinder	8	

Regenerators (See Figure 3-28)

Length (inside)	0.89 in.
Diameter (inside)	0.89 in.
No. per cylinder	8
Material	304 Stainless Steel Wire Cloth (308 Layers of 213 x 213 wires/inch X .0016 in. diameter mesh)
Filler Factor	28.6

Drive (See Figure 3-30)

Connecting Rod Length	1.812 in.
Crank - Radius	0.55 in.
Eccentricity	0.813 in.

Miscellaneous

Displacer rod diameter	0.375 in.
Piston rod diameter	0.875 in.
Piston diameter	2.740 in. buffer side, 2.748 in.: comp. side
Displacer diameter	2.740 in.
Expansion Space Clearance Volume	0.252 in. ³
Compression Space Clearance Volume	0.353 in. ^{3*}
Buffer Space Minimum Volume	17.0 in. ³
Transfer Ring Dead Volume	0.405 in. ³
Dead Volume Due to Drill Holes at top of Engines Cylinder	0.099 in. ³

* This is total volume of cold end connecting ducts. No clearance volume is assumed between the displacer and the power piston.

Table 3-8
 Test Points for GPU-3 for
 Comparison to Various Analytical Models

Working Fluid: H₂

Test Point	Engine Speed (rpm)	Mean Pressure (psi)	Heater Temp. ** (F)	Cooler Temp. * (F)	Cooler Water Flow (GPM)
1	1500	300	1300	70	6
2	2000	300	1300	70	6
3	2500	300	1300	70	6
4	3000	300	1300	70	6

Working Fluid: He

Test Point	Engine Speed (rpm)	Mean Pressure (psi)	Heater Temp. ** (F)	Cooler Temp. * (F)	Cooler Water Flow (GPM)
5	3000	600	1300	70	6
6	1500	600	1300	70	6
7	3000	400	1300	70	6
8	1500	400	1300	70	6

* Cooling Water Inlet Temp. - Is Not Controlled - Will Be At Ambient Temp.

** Temperature of the working gas stream at Point 5 in Figure 3-27.

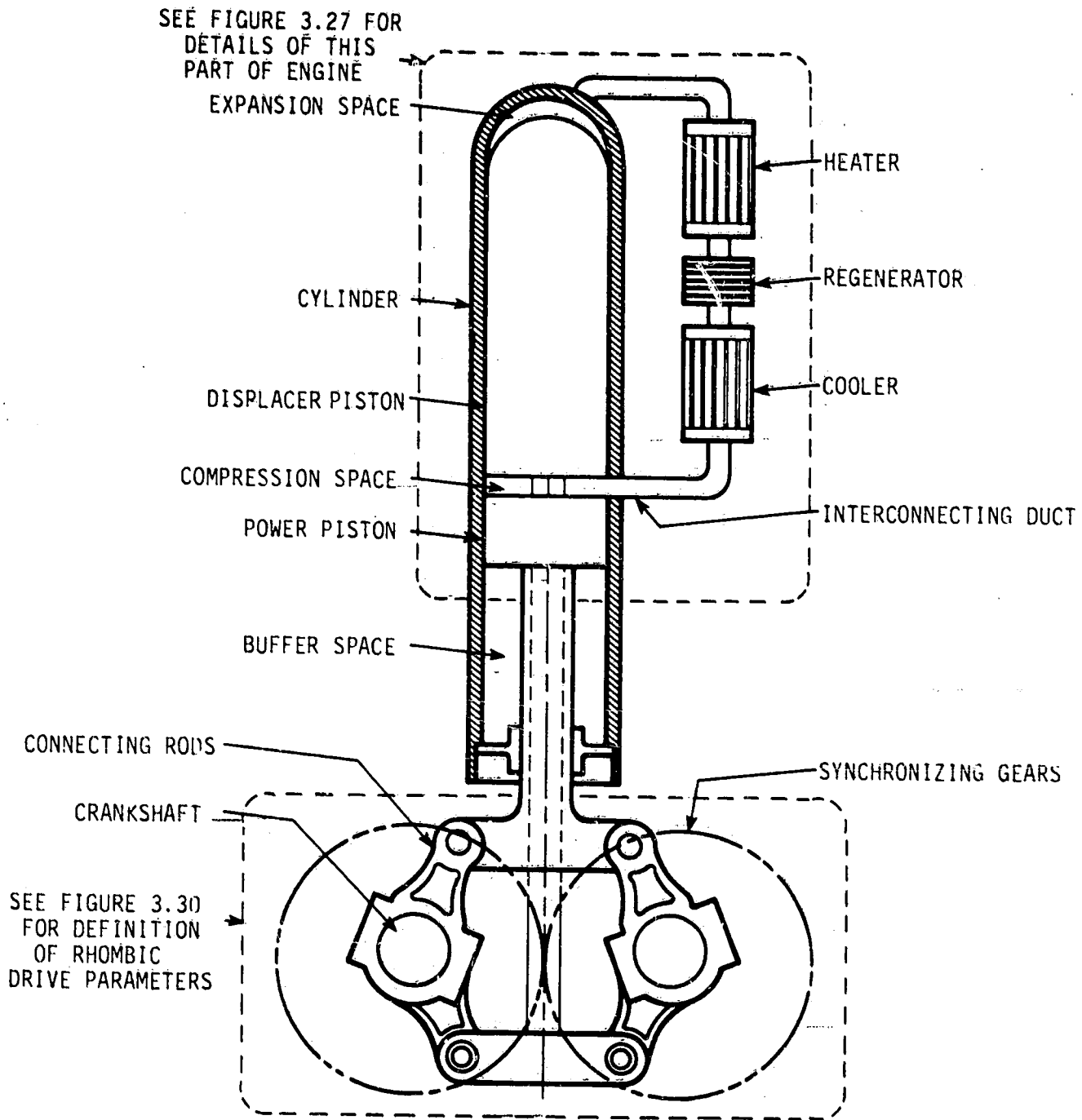


Figure 3-26. Schematic of Single Cylinder Stirling Engine with Rhombic Drive.

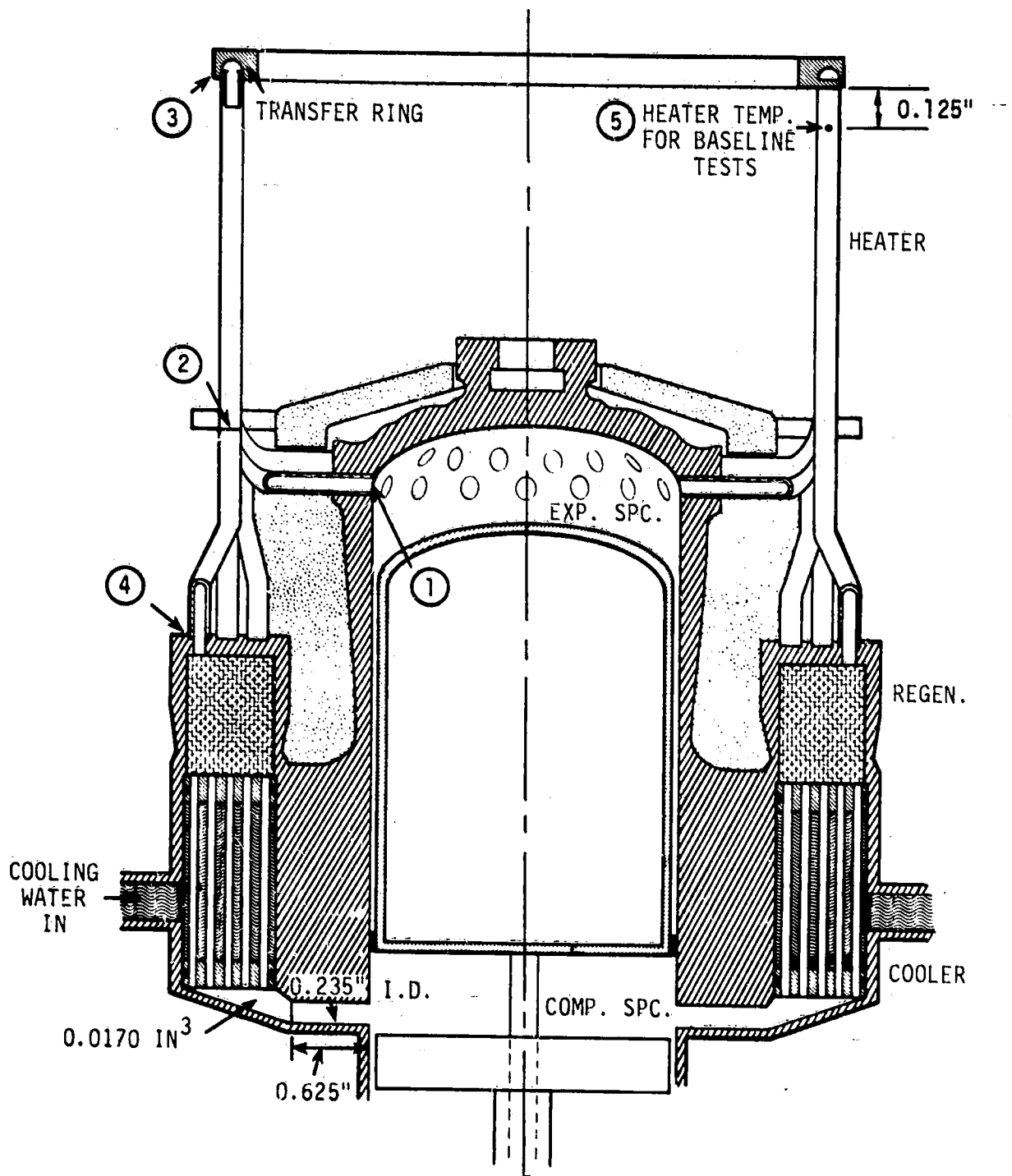


Figure 3-27. Schematic of Working Space. (Indicates Different Regions of Heater Tubes, Compression Space Clearance Volume and Location of Heater Temp. Measurement for Baseline Tests.)

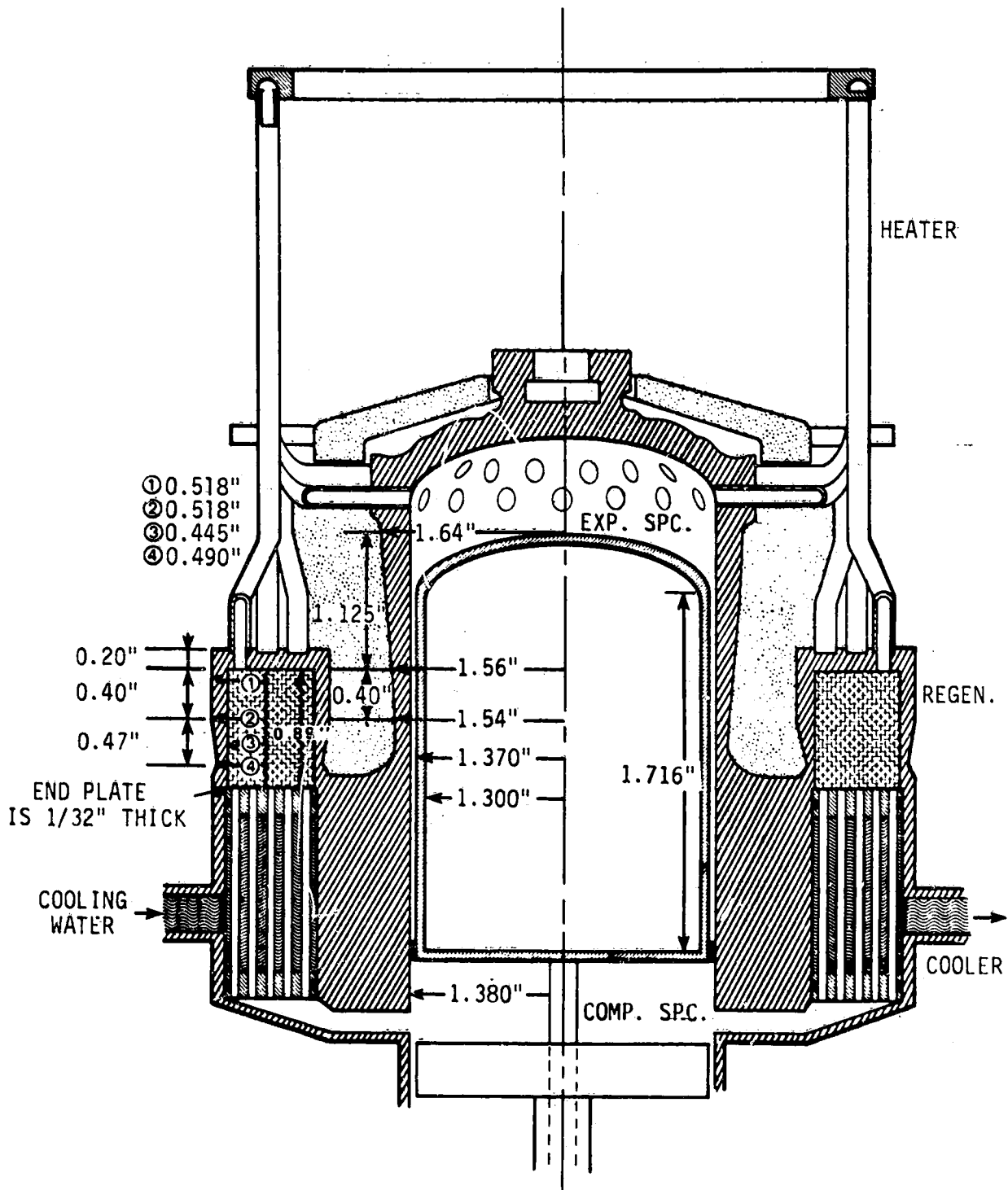


Figure 3-28. Schematic Showing Dimensions Needed for Calculating Heat Conduction. (Black Dots on Regenerator and Cylinder Indicate Where Temperatures will be Measured.)

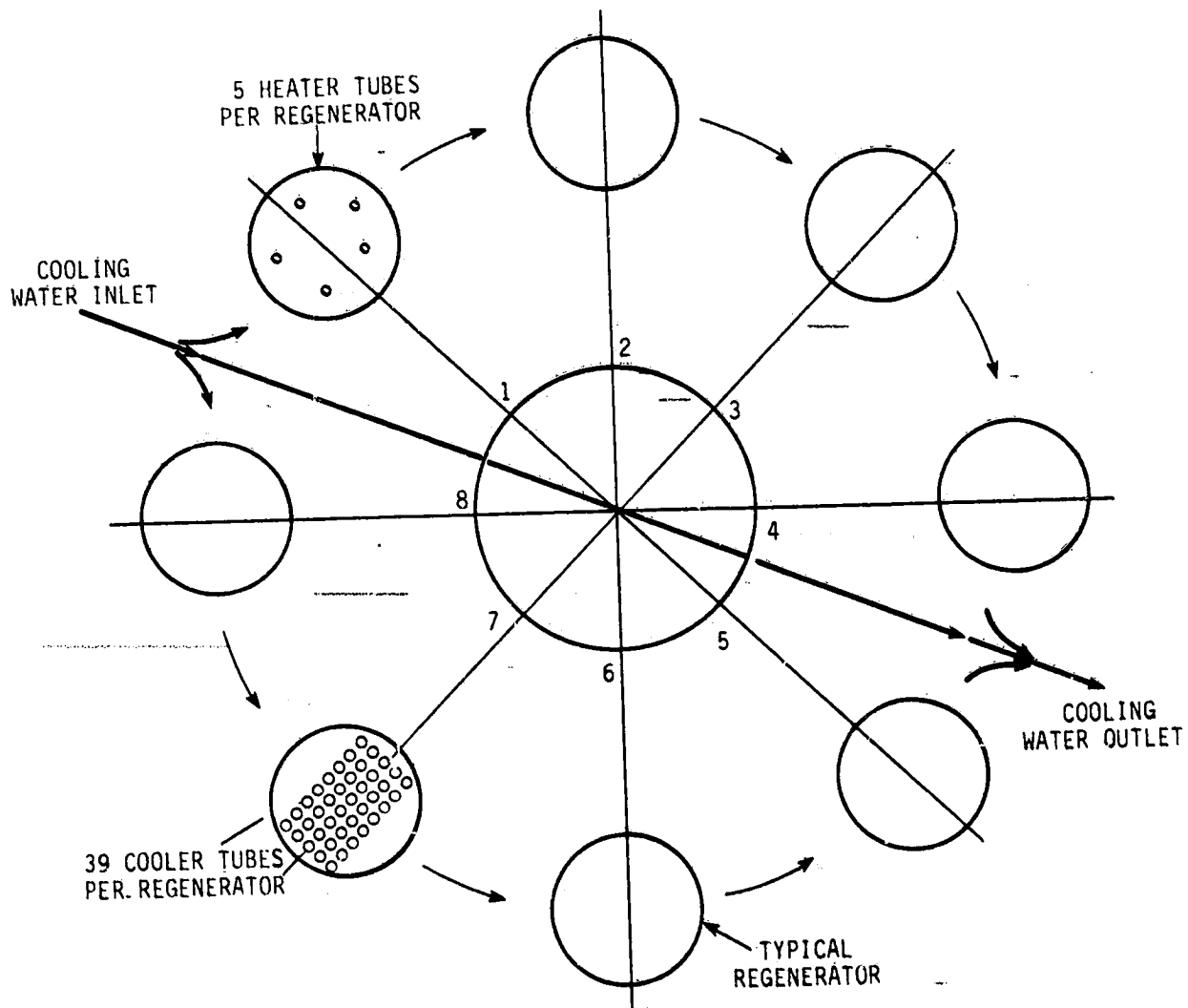


Figure 3-29. Schematic Showing Arrangement of Regenerator-Cooler Unit Around Cylinder. (Also Indicates Path of Cooling Water Flow and Number of Heater and Cooler Tubes Per Regenerator.)

4. REVIEW OF ENGINE DESIGN METHODS

The main purpose of this publication is to teach an understanding of Stirling engines and compare and present in understandable form the available ways for designing Stirling engines. First, in cycle analysis the basic thermodynamics of the Stirling engine will be explained and the effect of important design parameters will be discussed using a theoretical stepwise engine model. Next, the methods of calculating loss-free engine output power when the engine is crank operated will be presented and compared. These methods are usually called the Schmidt analysis. This analysis when combined with experience factors is defined herein as first order analysis.

Next, second order engine analyses from a number of different sources will be presented and compared. Second order analysis starts with the Schmidt analysis or something similar. Various power losses are calculated and deducted from the Schmidt power. Various heat losses are calculated and added to the Schmidt heat. All these engine processes are assumed to proceed in parallel and independent of each other.

Finally, third order analyses will be presented. These analyses divide the engine into a number of nodes and solve the basic differential equations that govern this engine by numerical methods. Third order methods are much more laborious, but since fewer assumptions are made, prediction of engine performance is expected to be more accurate.

The task undertaken in this grant proved larger than anticipated. A thorough evaluation of all available analysis methods could not be accomplished within the scheduled resources and time allotments. However there is benefit to be gained by making available the progress to date, incomplete as it is. It is expected that future support will enable all available analytical methods to be described. It is also expected that performance measurements of a number of fully described engines will also be available. With all the analytical methods available and with reliable engine measurements to compare them against also available, the designer will finally be able to choose with confidence the design method that meets his requirements.

4.1 Stirling Engine Cycle Analysis

In this section on cycle analysis the basic thermodynamics of a Stirling engine will be explained and the effect of some necessary complications will be assessed. The thermodynamic definition of a Stirling cycle is isothermal compression and expansion and constant volume heating and cooling, 1, 2, 3, 4, 1 in Figure 4-1.

The thermodynamic definition of an Ericsson cycle is isothermal compression and expansion and constant pressure heating and cooling, 1, 2', 3, 4', 1 in Figure 4-1. This Ericsson cycle encompasses more area than the Stirling cycle and therefore, produces more work. However, the volumetric displacement is larger, therefore, the engine is larger. There is a modern pumping engine concept

which approximates this cycle (73 p). The early machines built by John Ericsson used valving to attain constant pressure heating and cooling (59 c), thus the cycle name.

The thermodynamic definition of the Otto cycle is adiabatic compression and expansion and constant volume heating and cooling, 1, 2", 3, 4", 1 in Figure 4-1. The reason this cycle is mentioned is that the variable volume spaces in a Stirling engine are usually of such size that their compression and expansion is essentially adiabatic since little heat can be transferred to the walls during the process of compression or expansion. An internal combustion engine approximates the Otto cycle. In real Stirling machines, a large portion of the gas is in the dead volume which is compressed nearly isothermally so the loss of work per cycle is not as great as shown.

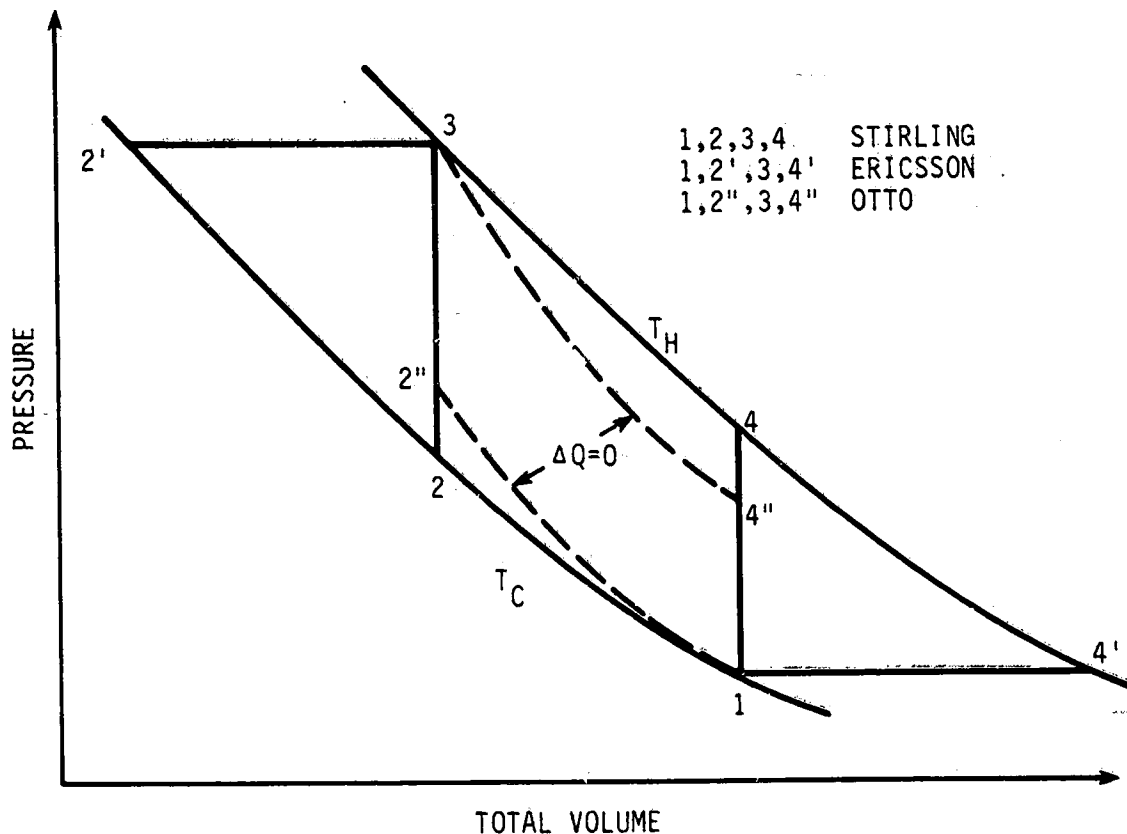


Figure 4-1. Theoretical Stirling, Ericsson and Otto Cycles.

In Section 4-1, discrete processes of compression, heating, expansion and cooling will always be employed. Numerical examples will be used to make the processes clearer. The section starts with the simplest case and proceeds through some of the more complicated cases. The conclusions from this section carry over into the next section where the volume of the variable volume spaces change sinusoidally.

4.1.1 Stirling Cycle, Zero Dead Volume, Perfect Regeneration

The Stirling cycle is defined as a heat power cycle using isothermal compression and expansion and constant volume heating and cooling. Figure 4-2 shows such a process. Specific numbers are being used to make the explanations easier to follow and allow the reader to check to see if he is really getting the idea. Let us take 100 cm³ of hydrogen at 10 MPa (~100 atm) and compress it isothermally to 50 cm³. The path taken by the compression is easily plotted because PV is a constant. Thus, at 50 cm³ the pressure is 20 MPa (~200 atm). The area under this curve is the work required to compress the gas and it is also the heat output from the gas for the cycle. If the pressure is expressed in Pascals (Newton/sq. meter) (1 atm = 10⁵ N/m²) and if the volume is expressed in m³, then the units of work are (N/m²)(m³) = N·m = Joules = watt seconds. For convenience, megapascals (MPa) and cm³ will be used to avoid very large and very small numbers.

The equation of the line is

$$PV = 100 \times 10^5 \text{ Pa} (100 \times 10^{-6} \text{ m}^3) = 1000 \text{ Joules}$$

$$= 10 \text{ MPa} (100 \text{ cm}^3) = 1000 \text{ Joules}$$

The work increment is

$$dw = PdV = \frac{1000}{V} dV$$

Integrating

$$w = 1000 \int_{V_1}^{V_2} \frac{dV}{V} = 1000 \left[\ln V \right]_{V_1}^{V_2}$$

$$= 1000 \ln \left(\frac{V_2}{V_1} \right)$$

(4-1)

(4-2)

Thus

$$w = 1000 \ln \left(\frac{50}{100} \right) = -693.14 \text{ Joules}$$

The answer is negative because work is being supplied. Also by the perfect gas law.

$$PV = nRT_c$$

where

P = gas pressure, N/m² or MPa

V = gas volume, m³ or cm³

n = number of moles of hydrogen, g mol

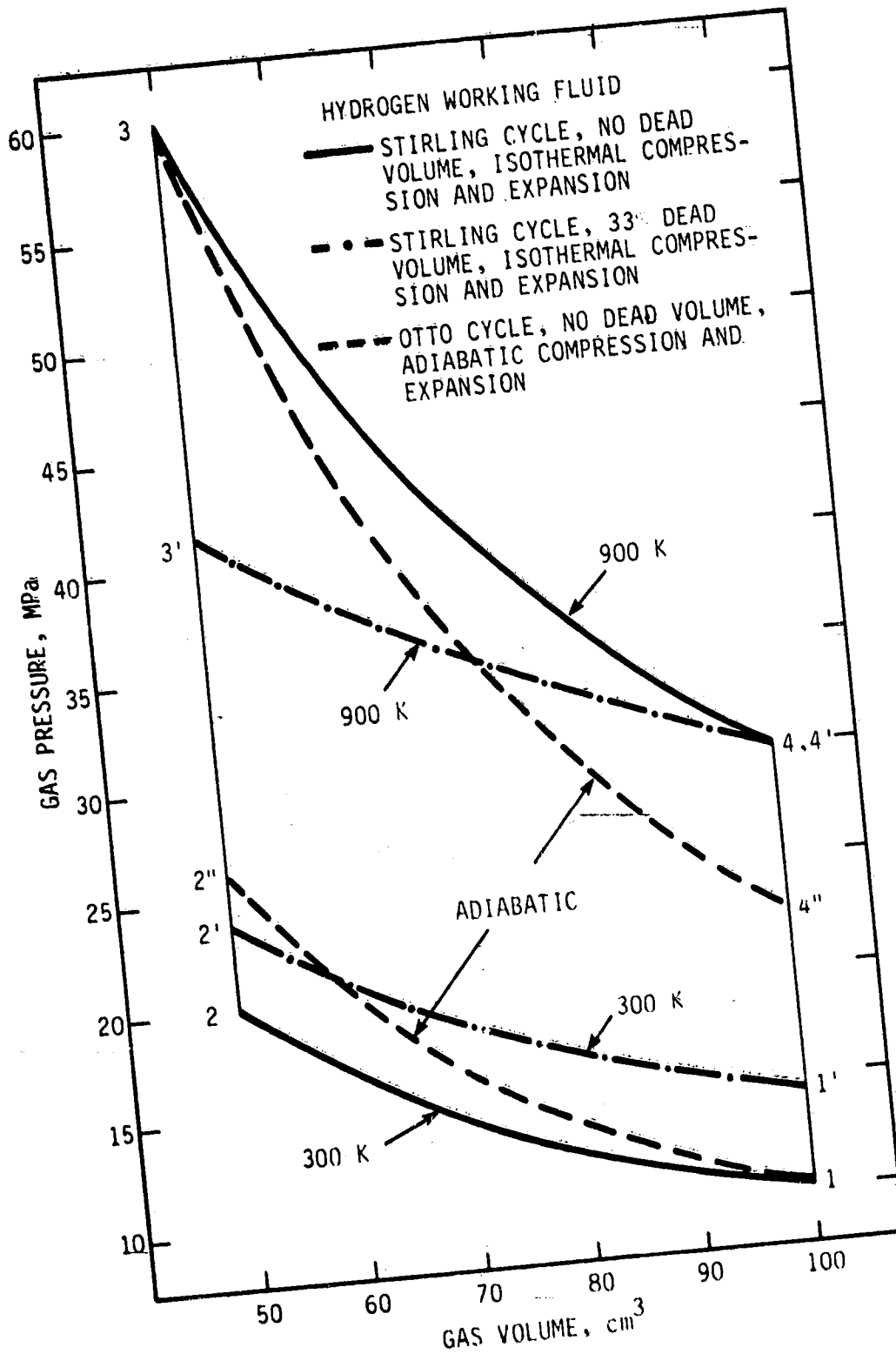


Figure 4-2. Theoretical Cycles.

R = universal gas constant
 = 8.134 Joule/K (g mol)
 T_c = cold side temperature, K

Thus

$$(10 \text{ MPa})(100 \text{ cm}^3) = n (8.314)(300)$$

$$n = 0.4009 \text{ g mol}$$

Therefore, the formula for work normally given in text books is

$$w = nRT_c \ln \left(\frac{V_2}{V_1} \right) = -693.14 \text{ Joules} \quad (4-3)$$

This quantity is also the negative of heat of the compression of the gas or the heat removed from the cycle.

Next from state 2 to 3 the gas is heated at constant volume from 300 to, say, 900 K. Assume for the moment that the regenerator that supplies this heat has no dead volume and is 100% effective. The heat that must be supplied to the gas by the regenerator matrix is:

$$q(r) = nC_v (T_H - T_c) \quad (4-4)$$

where

$$C_v = \text{Heat capacity of hydrogen at constant volume,}$$

$$\text{J/K (g mol)}$$

$$= 21.030 \text{ at 600 K average temperature}$$

$$\text{Therefore } q(r) = 0.4009 (21.030)(900-300)$$

$$= 5059 \text{ Joules}$$

Note that the heat transfer required in the regenerator is 7.3 times more than the heat rejected as the gas is compressed.

The pressure at state 3 after all gas has attained 900 K is:

$$P = nRT_H/V_2$$

$$= 0.4009 (8.314)(900)/50$$

$$= 60 \text{ MPa}$$

isothermal expansion of the gas from state 3 to state 4 (Figure 4-1) is governed by the same laws as the compression.

$$\begin{aligned}
 w(\text{out}) &= nRT_H \ln \frac{V_1}{V_2} \\
 &= .4009 (8.314)(900) \ln \frac{100}{50} = 2079.4 \text{ Joules}
 \end{aligned}$$

This quantity is also the heat input to the engine. The expansion line is easily plotted when it is noted that $PV = (60 \text{ MPa})(50 \text{ cm}^3) = 3000.0 \text{ Joules}$

Finally the return of the expanded gas from state 4 to state 1 back through the regenerator finishes the cycle. The same formula applies as for heating.

$$\begin{aligned}
 q(r) &= n C_V (T_H - T_C) \\
 &= .4009 (21.030)(900-300) \text{ Joules} \\
 &= 5059 \text{ Joules}
 \end{aligned}$$

The net work generated per cycle is

$$\begin{aligned}
 w(\text{net}) &= w(\text{in}) + w(\text{out}) = -693.14 + 2079.4 \\
 &= 1386.3 \text{ Joules}
 \end{aligned}$$

The efficiency of the cycle therefore is

$$\eta = \frac{w(\text{net})}{q(\text{in})} = \frac{1386.3}{2079.4} = 0.6667$$

In general the efficiency is

$$\eta = \frac{w(\text{in}) + w(\text{out})}{q(\text{in})} = \frac{n RT_C \ln \frac{V_2}{V_1} + nRT_H \ln \frac{V_1}{V_2}}{nRT_H \ln \frac{V_1}{V_2}} \quad (4-5)$$

$$\eta = \frac{T_H - T_C}{T_H} = \frac{900 - 300}{900} = 0.6667 \quad (4-6)$$

This efficiency formula is recognized as the Carnot efficiency formula. Therefore, the limiting efficiency of the Stirling cycle is as high as is possible.

4.1.2 Stirling Cycle, Zero Dead Volume, Imperfect Regenerator

One of the chief engine inefficiencies is the regenerator. Consider an annular gap around the displacer which acts as gas heater, regenerator and cooler. (See Figure 4-3) Assume that this engine operates in a stepwise manner and that this annular gap has negligible dead volume. Let E be the regenerator effectiveness during the transfer. For the transfer from cold space to hot space: _____

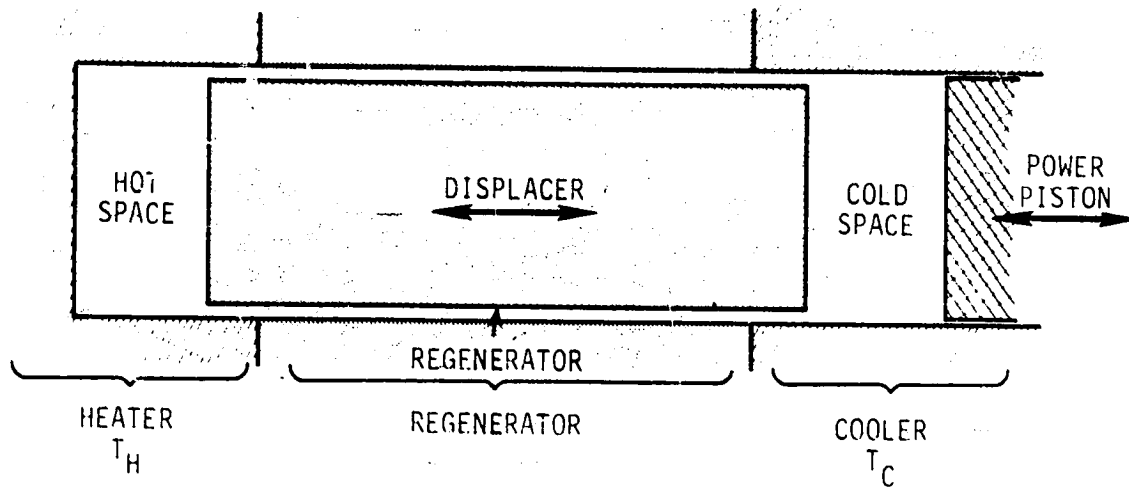


Figure 4-3. Simple Stirling Engine with Annular Gap Regenerator.

$$E = \frac{T_R - T_C}{T_H - T_C} \quad (4-7)$$

Now during transfer the heat from the regenerator is:

$$q(r) = nC_v (T_R - T_C) \quad (4-8)$$

and the heat from the gas heater is:

$$q(b) = nC_v (T_H - T_R) \quad (4-9)$$

Therefore, the efficiency becomes:

$$\eta = \frac{nRT_H \ln \frac{V_1}{V_2} - nRT_C \ln \frac{V_1}{V_2}}{nRT_H \ln \frac{V_1}{V_2} + nC_v (T_H - T_R)} \quad (4-10)$$

Which reduces to:

$$\eta = \frac{T_H - T_C}{T_H + \frac{C_v}{R} \frac{(T_H - T_C)(1 - E)}{\ln \frac{V_1}{V_2}}} \quad (4-11)$$

For the numerical example being used here:

$$\eta = \frac{900-300}{900 + \frac{21.03 \times (900-300)}{8.314 \ln \frac{100}{50}} (1 - E)} = \frac{600}{900 + 2189.5 (1 - E)}$$

Figure 4-4 shows how the engine efficiency is affected by regenerator effectiveness for this numerical example. Some of the early Stirling engines worked with the regenerator removed. Figure 4-4 shows that at low regenerator effectiveness the efficiency is still reasonable. How close it pays to approach 100% effectiveness depends on a trade-off which will be discussed under Section 4.3.

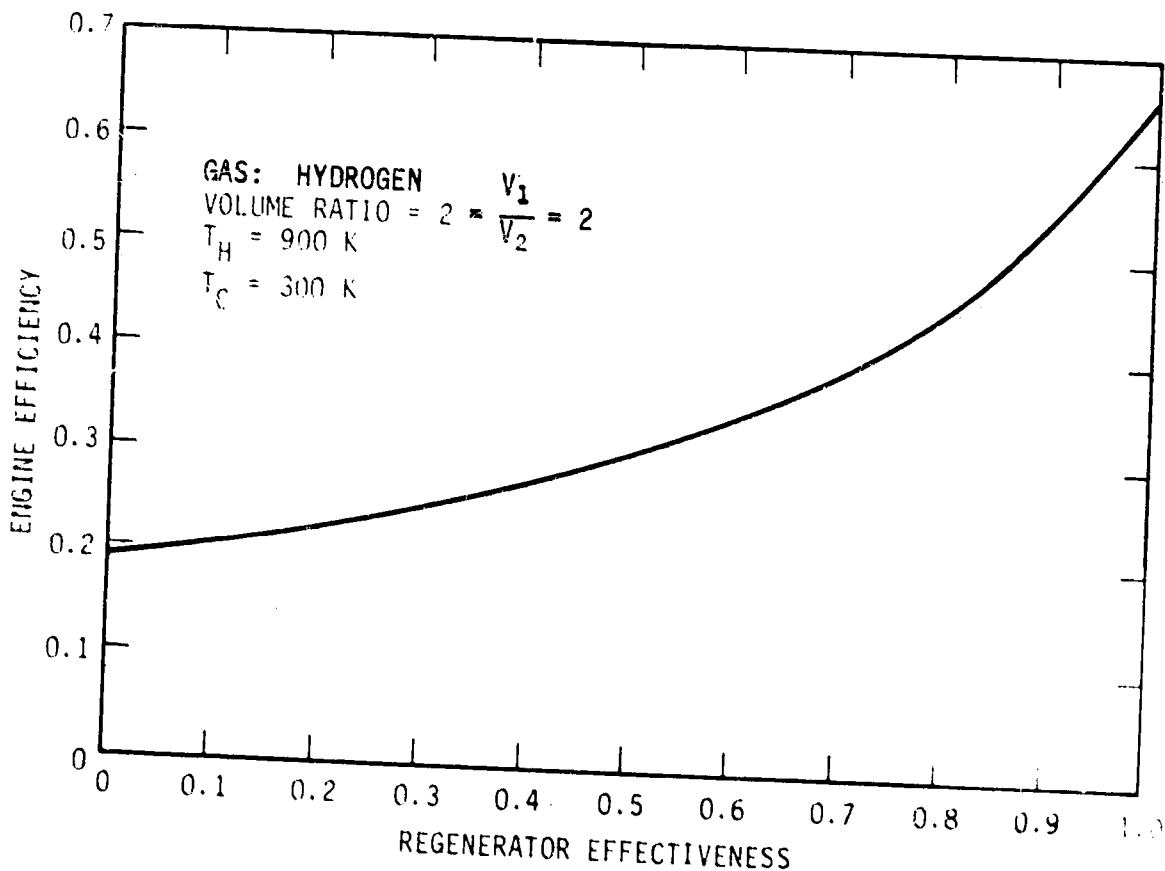


Figure 4-4. Effect of Regenerator Effectiveness on Efficiency.

Rallis (77 ay) has worked out a generalized cycle analysis in which the compression and expansion is isothermal but the heating and cooling can be at constant volume or at constant pressure or a combination. The heating process does not need to be the same as the cooling process. He assumes no dead volume, but allows for imperfect regeneration. For a Stirling cycle he derives the formula:

$$\eta = \frac{(\gamma - 1)(\tau - 1) \ln v}{(1 - \epsilon)(\tau - 1) + \tau(\gamma - 1) \ln v} \quad (4-12)$$

where

η = cycle efficiency

$\gamma = C_p/C_v$

$\tau = T_H/T_C$

$v = V_1/V_2$

$\epsilon = E$

Equations 4-12 and 4-11 are the same, just different nomenclature. Note that for $\epsilon = E = 1$ both Equation 4-11 and 4-12 reduce to the Carnot equation, Equation 4-6.

Rallis (77 ay) also derived a formula for the Ericsson cycle efficiency:

$$\eta = \frac{(\gamma - 1)(\tau - 1) \ln v}{\gamma(1 - \epsilon)(\tau - 1) + \tau(\gamma - 1) \ln v} \quad (4-13)$$

Equation 4-13 also reduces to Equation 4-6 when $\epsilon = 1$, that is for perfect regeneration. To attain Carnot efficiency, the compression and expansion ratio must be the same. Rallis shows this using cycles which will not be treated here.

Rallis also gives a useful formula for the net work per cycle for the Stirling cycle:

$$\frac{W}{\Delta V(P_1)} = \frac{v(\tau - 1) \ln v}{(v - 1)} \quad (4-14)$$

For instance, for the numerical example being used here:

$$\begin{aligned} W &= (50 \text{ cc})(10 \text{ MPa}) 2 (3-1) \ln 2 / (2-1) \\ &= 1386.3 \text{ Joules} \end{aligned}$$

which is the same as obtained previously.

4.1.3 Otto Cycle, Zero Dead Volume, Perfect or Imperfect Regeneration

The variable volume spaces in Stirling engines are usually shaped so that there is little heat transfer possible between the gas and the walls during the time the gas is expanded or compressed. Analyses have been made by Rallis (77 az) and also by Martini (69 a) which assume adiabatic compression and expansion with the starting points being the same as for the Stirling cycle. For instance for the numerical example in Figure 4-2, compression goes from 1 to 2" instead of from 1 to 2. Expansion goes from 3 to 4" instead

of from 3 to 4. It appears that considerable area and therefore work per cycle is lost.

However, this process is not correct because the pressure at point 3 is not the same as for the isothermal case. For the numerical example after compression to point 2" the pressure of the gas is 26.39 MPa and the gas temperature is 396 K. As this gas moves into the hot space through a cooler, regenerator and heater all of negligible dead volume, it is cooled to 300 K in the cooler, heated to 900 K in the heater. As the gas is transferred at zero total volume change from the cold space to the hot space the pressure rises. This pressure rise results in a temperature increase in the gas due to adiabatic compression. Therefore, at the end of the transfer process the mixed mean gas temperature in the hot space will be higher than 900 K. Point 3 is calculated for all the gas to be exactly 900 K. Adiabatic expansion then takes place. Then by the same process as just described, the transfer of the expanded gas back into the cold space results in a lower gas temperature than 300 K at the end of this stroke. The computational process must be carried through for a few cycles until this process repeats accurately enough. One way of computing this process will be described in Section 4.1.5 when the effect of dead volume will also be considered.

4.1.4 Stirling Cycle, Variable Dead Volume, Perfect or Imperfect Regeneration

An inefficient regenerator backed up by an adequate gas heater and gas cooler will not change the work realized per cycle but will increase the heat required per cycle. It will now be shown that addition of dead volume which must be present in any real engine decreases the work available per cycle.

Assume that the annulus between displacer and cylinder wall (see Figure 4-3) has a dead volume of 50 cm³, that the temperature gradient from one end of the displacer to the other is uniform and that the pressure is essentially constant. The gas contained in this annulus is:

$$n = \frac{P}{R} \int_{x=0}^{x=X} \frac{dv}{T_x} \quad (4-15)$$

where

- v = total volume of annulus
- dv = Adx = differential volume of the annulus
- A = flow area of annulus
- x = distance along annulus
- X = total length of annulus

$$T_x = T_H - \frac{x}{X} (T_H - T_C) \quad (4-16)$$

By substituting and integrating one obtains:

$$n = \frac{PV \ln(T_H/T_C)}{R(T_H - T_C)} \quad (4-17)$$

Thus the effective gas temperature of the regenerator dead volume is

$$T_R = (T_H - T_C) / \ln(T_H/T_C) \quad (4-18)$$

which is the log mean temperature. Thus for the numerical example:

$$T_R = \frac{900 - 300}{\ln \frac{900}{300}} = 546.1 \text{ K}$$

Quite often it is assumed that $T_R = \frac{T_H + T_C}{2} = \frac{900 + 300}{2} = 600 \text{ K}$.

For the large dead volumes which will almost always result, it is important to have the right gas temperatures for the regenerator and heat exchangers.

Assume for the moment that the hot and cold gas spaces can be maintained at 900 K and 300 K and that the pressure at the end of the expansion stroke, 30 MPa (~ 300 atm) is maintained. It is sometimes concluded that one should compare engine cycles that have the same peak pressure because this pressure is used to size the engine wall thickness. However, the wall thickness should be sized on the basis of creep. The time averaged pressure would be more appropriate. Thus, the above assumption. The gas inventory now is:

$$n = \frac{P}{R} \left[\frac{V_H}{T_H} + \frac{V_R}{T_R} \right] \quad (4-19)$$

$$n = \frac{30}{8.314} \left[\frac{100}{900} + \frac{50}{546.1} \right]$$

$$= 0.7313 \text{ g mol.}$$

The equation for the gas expansion is:

$$P = \frac{nR}{\frac{V_H}{T_H} + \frac{V_R}{T_R}} = \frac{(0.7313)(8.314)}{\frac{V_H}{900} + \frac{50}{546.1}} \quad (4-20)$$

$$P = \frac{A}{V_H + B} \quad \text{where } A = 5472. \quad B = 82.4$$

The work output by expanding from $V_{H1} = 50 \text{ cm}^3$ to $V_{H2} = 100 \text{ cm}^3$

is:

$$w(\text{out}) = \int_{V_{H1}}^{V_{H2}} P \, dV_H = \int_{V_{H1}}^{V_{H2}} \frac{A \, dV_H}{V_H + B} \quad (4-21)$$

$$\begin{aligned} &= A \ln \left(\frac{V_{H2} + B}{V_{H1} + B} \right) \\ &= 5472 \ln \left(\frac{100 + 82.4}{50 + 82.4} \right) \\ &= 1753 \text{ Joules} \end{aligned}$$

The equation for gas compression is

$$\begin{aligned} P &= \frac{n R}{\frac{V_C}{T_C} + \frac{V_R}{T_R}} = \frac{(0.7313)(8.314)}{\frac{V_C}{300} + \frac{50}{546.1}} \\ &= \frac{C}{V_C + D} \quad \text{where } C = 1824.02, D = 27.4 \end{aligned}$$

Analogously the work of compression is

$$\begin{aligned} w(\text{in}) &= C \ln \left(\frac{V_{C2} + D}{V_{C1} + D} \right) \\ &= 1824.02 \ln \left(\frac{50 + 27.4}{100 + 27.4} \right) \\ &= - 908.37 \text{ Joules} \end{aligned}$$

Therefore the net work is

$$\begin{aligned} w(\text{net}) &= w(\text{out}) + w(\text{in}) \\ &= 1753.08 - 908.37 = 844.71 \text{ Joules} \end{aligned}$$

Figure 4.5 shows how dead volume as % of maximum total gas volume effects the work per cycle. For more generality the work per cycle is expressed as a % of the work per cycle at zero dead volume. Note that the relationship is almost linear. This curve differs from that published by Martini (77 h) in that in Figure 4-5 the pressure at the end of the expansion stroke was made the same (average pressure). In the previous Figure 2 of reference.77 h, the minimum pressure was made the same. This caused the average pressure to decrease more rapidly as dead volume increased. Figure 4-5 is more truly representative of the effect of dead volume on work per cycle.

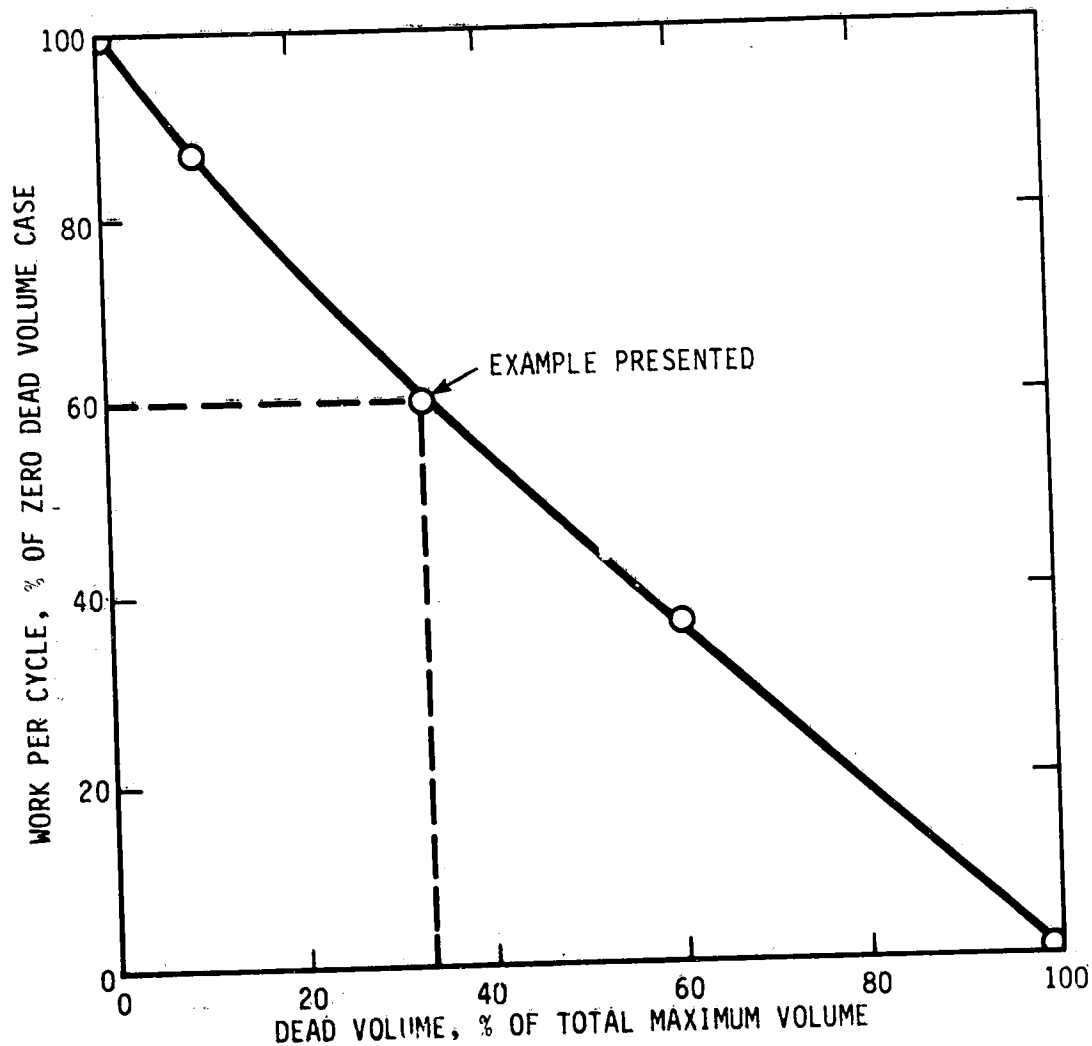


Figure 4-5. Effect of Dead Volume on Work Per Cycle for Isothermal Spaces and Constant Average Pressure.

4.1.5 Combined Stirling and Otto Cycle Variable Dead Volume, Perfect or Imperfect Regeneration

If the hot and cold spaces of the Stirling engine are free of heat exchange surface as they usually are, then compression and expansion in these spaces takes place essentially adiabatically. Assume that the heat exchangers and regenerator are placed as shown in Figure 4-3 so that gas entering the hot space is at hot space temperature. Assume further that: 1) the gas in the heater is at heat source temperature, 2) the gas in the cooler is at heat sink temperature and the gas in the regenerator is at the log mean temperature between these two. Assume that the dead volume is distributed as follows:

heater	10 cm ³
regenerator	30 cm ³
cooler	10 cm ³
Total	50 cm ³

Assume as before that the cold space is compressed from 100 cm³ to 50 cm³ while the hot space is zero. Transfer takes place to the hot space with the total volume held at 100 cm³. Expansion takes place in the hot space from 50 to 100 cm³. Finally, transfer occurs back to the cold space with the total volume held at 150 cm³. We will now follow through this cycle and keep track of pressures. Using a gas inventory of 0.7313 g mol, as before, the initial common pressure is:

$$P_1 = \frac{nR}{\frac{V_{HS}}{T_{HS}} + \frac{V_H}{T_H} + \frac{V_R}{T_R} + \frac{V_C}{T_C} + \frac{V_{CS}}{T_{CS}}} \quad (4-22)$$

assume:

$$P_1 = \frac{0.7313 (8.314)}{\frac{0}{900} + \frac{10}{900} + \frac{30}{546.1} + \frac{10}{300} + \frac{100}{300}}$$

Therefore

$$P_1 = 14.051 \text{ MPa}$$

Now let V_{CS} go from 100 to 50 cc, V_T from 150 to 100 cc.

During the compression stroke the gas in the cold space is compressed adiabatically and the gas in the heater, regenerator and cooler is compressed isothermally. Thus:

$$P_2 = \frac{0.7313(8.314)}{\frac{0}{900} + \frac{10}{900} + \frac{30}{546.1} + \frac{10}{300} + \frac{50}{T_{CS}}} \quad (4-23)$$

Also the adiabatic compression law applies to the cold space.

$$\frac{T_2}{T_1} = \left(\frac{P_2}{P_1}\right)^{\frac{k-1}{k}}, \quad \frac{T_{CS}}{300} = \left(\frac{P_2}{14.051}\right)^{0.286} \quad (4-24)$$

where $k = 1.40 = C_p/C_v$ for hydrogen. These two equations in two unknowns are solved. Equation 4-24 is solved for T_{CS} and substituted in Equation 4-23. Then P_2 is determined by a secant method of approximation using a programmable calculator. Thus:

$$T_{CS} = 354.92 \text{ K}, \quad P_2 = 25.31 \text{ MPa}$$

From state 2 to 3 (see Figure 4-2) gas is transferred at no change in overall volume. The gas from the cold space is cooled down to 300 K as it enters the heat exchanger. It heats to 900 K in the regenerator and gas heater and enters the hot space at 900 K. As elements of gas enter the hot space, pressure increases. This pressure increase causes the first elements to attain a temperature higher than the heat source temperature. Assume that the gas in the hot space is thoroughly mixed at each stage. Assume that 5 steps are accurate enough to define the process. This will be checked later. By the gas law:

$$\begin{aligned} P_{2.2} &= \frac{0.7313 (8.314)}{\frac{10}{T_{HS2.2}} + \frac{10}{900} + \frac{30}{546.1} + \frac{10}{300} + \frac{40}{T_{CS2.2}}} \quad (4-25) \\ &= \frac{6.08003}{\frac{10}{T_{HS2.2}} + 0.09938 + \frac{40}{T_{CS2.2}}} \end{aligned}$$

also by the adiabatic compression law

$$\frac{T_{CS2.2}}{T_{CS2.0}} = \left(\frac{P_{2.2}}{P_{2.0}}\right)^{0.286}, \quad T_{CS2.2} = 354.92 \left(\frac{P_{2.2}}{25.31}\right)^{0.286} \quad (4-26)$$

also

$$T_{HS2.2} = 900 \left(\frac{P_{2.2}}{25.31}\right)^{0.286}$$

combining

$$P_{2.2} = \frac{6.08003}{\frac{10}{900 \left(\frac{P_{2.2}}{25.31}\right)^{0.286}} + 0.09938 + \frac{40}{354.92 \left(\frac{P_{2.2}}{25.31}\right)^{0.286}}}$$

Solving as before:

$$P_{2.2} = 27.62 \text{ MPa} \quad T_{HS2.2} = 922.73 \text{ K} \quad T_{CS2.2} = 363.88 \text{ K}$$

Then during the next increment the next 10 cc starts into the hot space at 900 K and the first 10 cc continues on from 922.73 K. Thus:

$$P_{2.4} = \frac{6.08003}{\frac{10}{922.73 \left(\frac{P_{2.4}}{27.62}\right)^{0.286}} + \frac{10}{900 \left(\frac{P_{2.4}}{27.62}\right)^{0.286}} + 0.09938} + \frac{30}{363.88 \left(\frac{P_{2.4}}{27.62}\right)^{0.286}}$$

$$P_{2.4} = 30.23 \quad T_{HS2.4} = 947.06 \text{ K} \quad T'_{HS2.4} = 923.73 \text{ K}$$

$$T_{CS2.4} = 373.40 \text{ K}$$

The two parts of gas in the hot space have different temperatures. A mean temperature is found by adding the masses and finding the effective temperature. Thus:

$$\frac{V_1}{T_1} + \frac{V_2}{T_2} = \frac{V_1 + V_2}{T_3} \quad (4-27)$$

$$\frac{10}{947.06} + \frac{10}{923.73} = \frac{20}{T_3}$$

$$T_3 = T_{HSM2.4} = 935.25 \text{ K}$$

A computer program was written to do the above calculation nearly automatically. The results are given in Table 4-1. The work diagram for this specific example is plotted in Figure 4-6. The work diagram is compared with the same engine cycle and gas inventory only assuming the hot and cold gas spaces are isothermal at the heat source and heat sink temperature. For 33.3% dead volume assumed here the effect of having adiabatic gas spaces instead of isothermal creates 10% more pressure swing but only 2.7% more work per cycle. Current practice in Stirling engine design is to have about 58% dead volume (see Section 7). Therefore, the error in assuming isothermal variable volume spaces instead of the more realistic adiabatic variable volume spaces would be less than 2.7% when the work per cycle is computed. It is not expected that this conclusion will change when crank operated engines are considered. Therefore, it is concluded that figuring the variable volume gas spaces as isothermal at the heat source and heat sink temperature will give the right work per cycle within one or two percent for practical engines. The isothermal assumption greatly reduces the labor of computation.

Other formulations are given in the literature for solving the above problem. Hoffman (77 be) and Rios (69 o, 69 ar) present equations which probably get to the same end point a different way. The author has not been able to fully understand and compare their methods with that given above. However, it is known that the Rios method uses a computer program working on 720 time increments per revolution. However this is not mandatory but the effect of reducing the number is not known. Rios did not actually use such fine divisions.

4.1.6 Conclusions from Cycle Analysis

1. Stirling and Ericsson cycles have the same limiting efficiency as the well known Carnot cycle.
2. A good regenerator is needed to attain high efficiency but the cycle has some efficiency without one.
3. An inefficient regenerator backed up by an adequate gas heater and gas cooler will not affect the work realized per cycle but will add to the heat required per cycle.
4. Dead volume has an almost linear effect on work available per cycle. That is, if half the maximum gas volume in the engine is dead volume, about half the work per cycle would be realized compared to the same displacements and average pressure with no dead volume. Some dead volume is inescapable.
5. The most correct effective temperature for the regenerator is the log mean temperature.
6. At the usual dead volume ratios used in Stirling engines the error in computing the work per cycle using isothermal spaces instead of the more realistic adiabatic spaces is 1 or 2%.

Table 4-1

Effect of Adiabatic Spaces on a Discrete Stirling Cycle with Dead Volume

VHD = 10 cm³, VRD = 30 cm³, VCD = 10 cm³
 TH = 900 K, TR = 546.1 K, TC = 300 K

VHL cm ³	VCL cm ³	P MPa	THS K	TCS K	Comment
0	100	14.051	900	300	Initial Conditions
0	50	25.31	1064	355	
10	40	27.61	923	364	First Compression
20	30	30.22	936	374	
30	20	33.21	949	384	
40	10	36.57	962	395	
50	0	40.38	975	406	
5	45	26.41	911	359	
10	40	27.60	917	364	
15	35	28.86	923	368	
20	30	30.20	929	373	
25	25	31.62	935	379	
30	20	33.14	942	383	Gas Transfer to Hot Space at $\Delta V = 10 \text{ cm}^3$
35	15	34.76	948	388	
40	10	36.48	955	394	
45	5	38.31	962	399	
50	0	40.27	969	405	
55	0	38.68	951	400	
60	0	37.20	936	396	
65	0	35.81	924	392	
70	0	34.52	912	388	
75	0	33.31	902	384	
80	0	32.18	893	380	Duplicate Gas Transfer to Hot Space at $\Delta V = 5 \text{ cm}^3$. Only 0.3% error in P by using $\Delta V = 10 \text{ cm}^3$ which is acceptable.
85	0	31.12	885	376	
90	0	30.11	878	373	
95	0	29.17	871	370	
100	0	28.28	865	366	
100	0	28.28	865	366	
95	5	26.66	851	366	
90	10	25.23	838	295	
85	15	23.94	825	293	
80	20	22.78	814	291	
75	25	21.73	803	289	Expansion in the Hot Space $\Delta V = 5 \text{ cm}^3$.
70	30	20.77	793	287	
65	35	19.90	783	286	
60	40	19.10	774	284	
55	45	18.36	766	283	
50	50	17.68	758	281	
45	55	17.06	750	280	
40	60	16.47	743	279	
				279	
				743	

Table 4-1, Page 2

VHL cm ³	VCL cm ³	P MPa	THS K	TCS K	Comment	
35	65	15.93	736	277	Transfer to Cold Space $\Delta V = 5 \text{ cm}^3$.	
30	70	15.42	729	276		
25	75	14.95	723	275		
20	80	14.50	717	274		
15	85	14.09	711	273		
10	90	13.69	705	272		
5	95	13.32	700	272		
0	100	12.98	695	271		
0	90	14.42	716	279		Compression in Cold Space $\Delta V = 10 \text{ cm}^3$.
0	80	16.13	739	288		
0	70	18.21	765	298		
0	60	20.75	794	310		
0	50	23.91	827	323		
0	40	26.35	925	332		
10	30	29.15	939	341		
20	20	32.40	954	342		
30	10	36.15	970	363	Transfer to Hot Space $\Delta V = 10 \text{ cm}^3$.	
40	0	40.52	98	375		
50	0	37.39	949	367		Expansion in Hot Space $\Delta V = 10 \text{ cm}^3$.
60	0	34.68	922	359		
70	0	32.31	901	352		
80	0	30.22	884	345		
90	0	28.37	870	339		← 0.3% error in closure of P at this point.
100	0					Satisfactory.

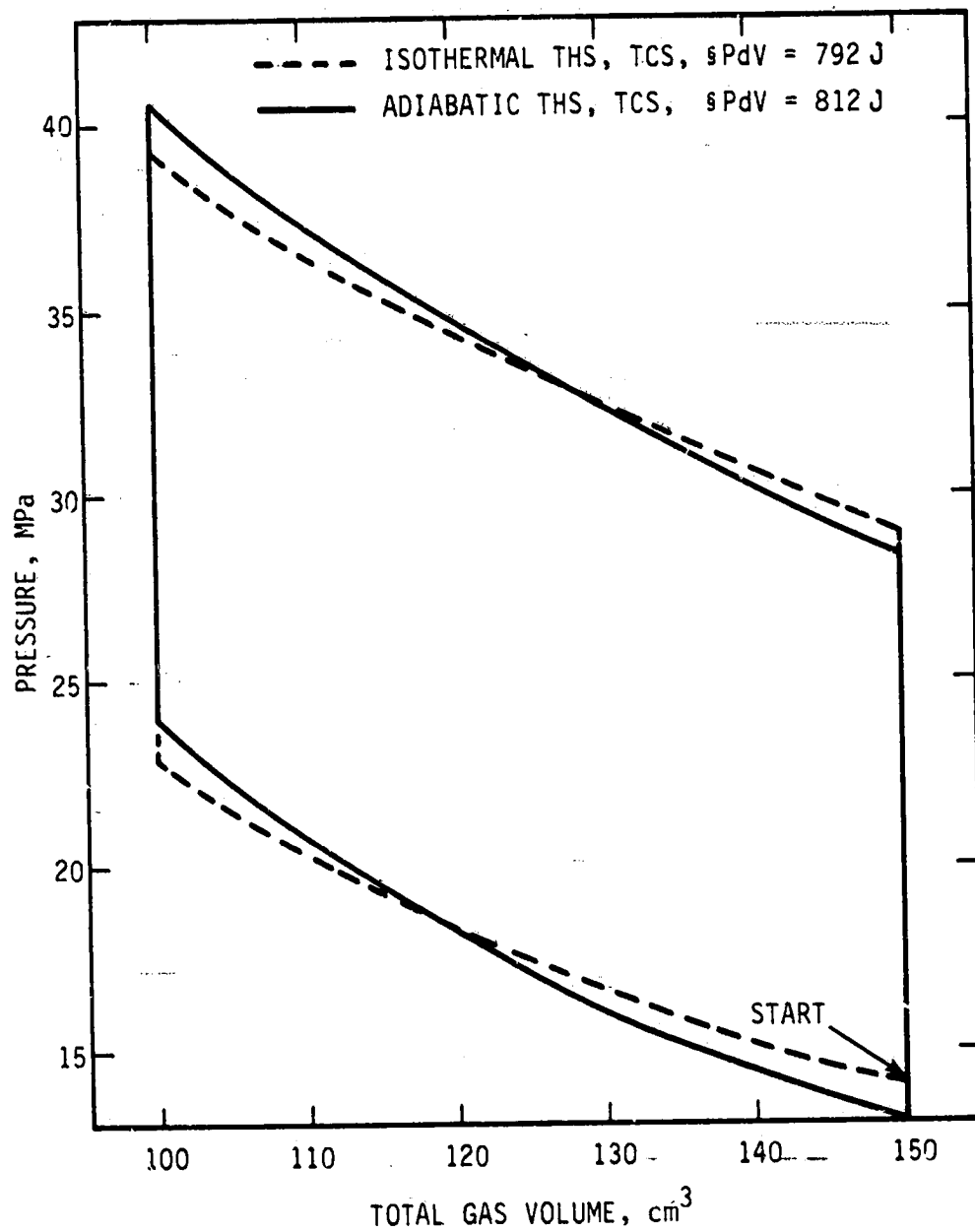


Figure 4-6. Comparison of Adiabatic and Isothermal Hot and Cold Gas Spaces for 33% Dead Volume.

4.2 First Order Design Methods

In the preceding section the thermodynamic principles were explained and the effect of dead volume, regenerator efficiency and adiabatic versus isothermal variable volume spaces were discussed using a Stirling engine model in which the 4 processes of compression, heating, expansion and cooling are entirely separated.

In almost all Stirling engines the displacer and the power piston or the two power pistons are moved with a crank. Therefore, the four processes overlap. The heart of the first order design method is the computation of the output power when the parts move sinusoidally.

There are basically two ways to attack this problem, numerically and analytically. In the numerical method the hot and cold volumes of the engine under consideration are computed for a number of times during the cycle - say every 30° of crank angle. The dead volume is also computed. The effective temperatures of the hot, cold and dead volume spaces are specified. Also the gas inventory is specified. It is assumed that at each crank angle the pressure throughout the engine is the same. Since the temperature and volume of each gas space is specified, the common pressure at each crank angle is calculated using the perfect gas law. The gas pressure is then plotted against the total gas volume and the area of the closed curve is measured to give work output per cycle. The maximum and minimum pressures are also noted.

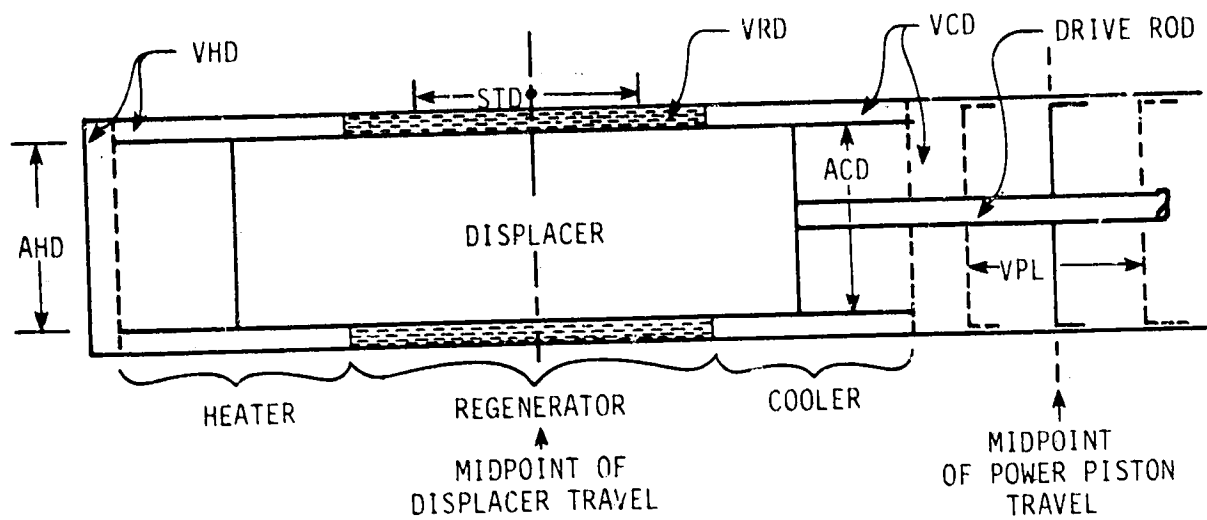
In the analytical method the movement of the machine parts are specified sinusoidal with a specified phase angle difference between them. In the same way as in the numerical method, gas temperatures in the different parts of the engine are specified and are assumed to be constant. Then using the methods of calculus the pressure-volume diagram for the engine is integrated for the general case. Gustaf Schmidt (1871 a) was the first to do this and publish his results. Since then, a number of authors have presented formulas based upon the Schmidt analysis.

In this section the analysis will be divided into piston-displacer engines and dual piston engines since some formulas work for one type and some for the other. Within each subdivision the numerical method will be explained and a sample problem will be worked out showing the work diagram and an approximation of the integral. Next the analytical equations will be presented and the same engines will be calculated using these equations. If the equation is valid the same numerical result should be obtained. Finally, a survey will be presented of published comments which relate the Carnot efficiency to the actual efficiency of real engines and which relate the indicated power output to the power calculated by the Schmidt analysis.

4.2.1 Piston - Displacer Engines

4.2.1.1 Engine Definition

The nomenclature for engine internal volumes and motions is described in Figure 4-7 and 4-8. The following equations describe the volumes and pressures:



- AHD = area of hot face of displacer, cm^2 .
 VHD = hot dead volume, cm^3 .
 STD = stroke of displacer, cm .
 VRD = regenerator dead volume, cm^3 .
 VCD = cold dead volume, cm^3 .
 ACD = area of cold face of displacer, cm^2 .
 VPL = power piston live volume, cm^3 .
 TH = effective hot gas temperature, K
 TR = effective regenerator gas temperature, K
 TC = effective cold gas temperature, K
 M = engine gas inventory, g mol.
 R = universal gas constant, $8.314 \text{ J/g mol} \cdot \text{K}$
 P = common gas pressure, MPa.
 PHI = crank angle, degrees.
 ALPH = phase angle, degrees.

Figure 4-7. Piston Displacer Engine Nomenclature.

$$VHL = AHD(STD) \quad (4-28)$$

$$VCL = ACD(STD) \quad (4-29)$$

Hot volume,

$$VH = \frac{VHL}{2} \left[1 - \cos(\text{PHI}) \right] + VHD \quad (4-30)$$

Cold volume,

$$VC = \frac{VCL}{2} \left[1 + \cos(\text{PHI}) \right] + VCD + \frac{VPL}{2} \left[1 - \cos(\text{PHI} - \text{ALPH}) \right] \quad (4-31)$$

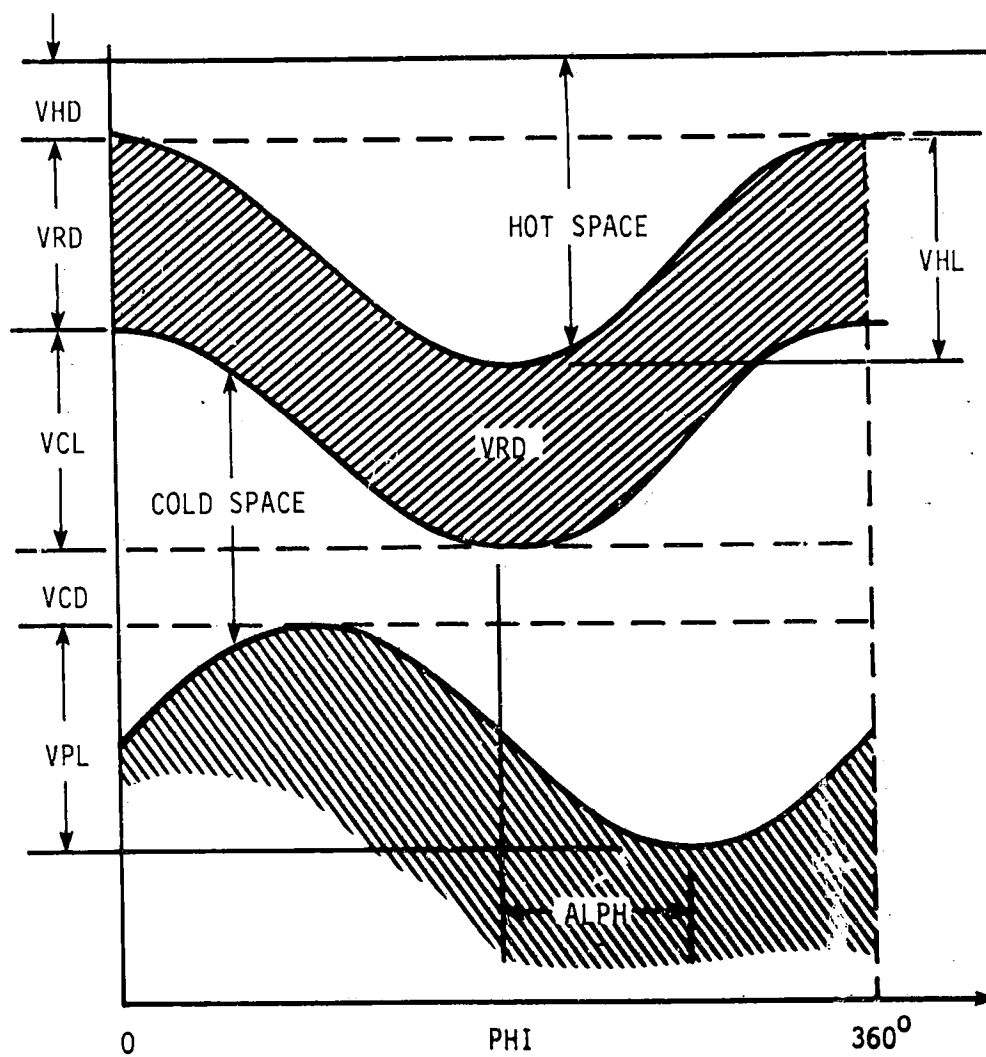


Figure 4-8. Phasing of Displacer and Power Piston.

Total volume

$$V_T = V_H + V_C + V_{RD} \quad (4-32)$$

Engine pressure

$$p = \frac{M(R)}{\frac{V_H}{T_H} + \frac{V_C}{T_C} + \frac{V_{RD}}{T_R}} \quad (4-33)$$

VCD includes the dead volume in the cooler as well as the dead volume between the strokes of the displacer and the power piston. According to the classification of engines given in Figure 2-6, the gamma type machine must have some volume between the strokes to allow for clearance and the flow passages between. In the beta type engine the strokes of the displacer and the power piston overlap so that they almost touch at one point in the cycle. This overlap volume is subtracted from the dead volume in the cold heat exchanger. For a beta type engine with this type of stroke overlap and $ALPH = 90^\circ$ and $VCL = VPL$.

then $VCD = VCDHX - \frac{VPL}{2} (2 - \sqrt{2}) = VCDHX - \sqrt{2} VPL (1 - \frac{\sqrt{2}}{2})$ where $VCDHX =$ cold dead volume in heat exchanger.

4.2.1.2 Sample Engine Specifications

In order to check equations which look quite different, it was decided to specify a particular engine and then determine if the work integral checks. The specification decided upon was:

$$\begin{aligned} M(R) &= 10.518 \text{ J/K} \\ TH &= 600 \text{ K} \\ TC &= 300 \text{ K} \\ VHL &= VCL = VPL = VRD = 40 \text{ cm}^3 \\ VHD &= VCD = 0 \\ ALPH &= 90^\circ \end{aligned}$$

TR is defined a number of ways, depending how it is defined in the analytical equation that is being checked. It may be:

- (1) Arithmetic mean (Walker)
 $TR = (TH + TC)/2 = 450 \text{ K}$
- (2) Log mean, most realistic
 $TR = (TH - TC)/\ln(TH/TC) = 432.8 \text{ K}$
- (3) Half volume hot, half volume cold (Mayer)

$$\frac{1}{TR} = \frac{1}{2(TH)} + \frac{1}{2(TC)}$$

$$TR = 400 \text{ K}$$

The above sample engine specification is for a gamma engine. For a beta engine assume in addition that $VCDHX = 0$ then:

$$VCD = 0 - 40 (1 - \frac{\sqrt{2}}{2}) = - 11.715 \text{ cm}^3$$

4.2.1.3 Numerical Analysis

Using the numbers given in Section 4.2.1.2, Equations 4-28 to 4-33 can be evaluated for $PH_i = 0, 30, 60, \dots, 360$, P can be plotted against VT and the result closed curve can be integrated graphically and the maximum and min-

imum gas pressure can be noted. The author's experience with a number of different examples gives a result which is 4.5% low when compared with valid analytical equations and with numerical calculations with very small crank angle increments. If the investigator has access to a programmable calculator or a computer then the computation can be made with any degree of precision desired. Figure 4-9 shows the flow diagram which was used for programming. The author has used both an HP-65 and an HP-67 for this purpose. He has also used this method as part of a larger second order calculation written in FORTRAN.

Using the 400 K effective regenerator temperature the following results were obtained for the numerical example.

DELPHI	$\oint Pdv$	% Error
30°	314.36 Joules	4.5
20	322.56	2.0
10	327.53	0.50
5	328.78	0.13
0.25	329.1994570	0.0003
Mayer equation	329.2005026	0

The Mayer equation will be given in Section 4.2.1.4 and discussed more fully there. It uses the same assumptions as were employed in the numerical analysis. One can see from the above table that the result by numerical analysis approaches the Mayer equation result as DELPHI approaches zero. The two check.

If the arithmetic average is used TR = 450 K then:

DELPHI	$\oint Pdv$	P_{max}	PHI for P_{max}
1°	360.45	58.10 MPa	117°

If the log mean average is used TR = 432.8 K then:

DELPHI	$\oint Pdv$	P_{max}	PHI for P_{max}
1°	350.04	56.99 MPa	117°

For the case of the Beta engine with essentially touching displacer and power piston at one point in the cycle VCD = -11.715 cm³. For the arithmetic average and volume temperature TR = 450 K. Then:

DELPHI	$\oint Pdv$	P_{max}	PHI for P_{max}
1°	516.32	74.0862	117°

Precision in calculating this work integral is mainly of academic interest because the result will be multiplied in first order analysis by an experience factor like 0.5 or 0.6 (one figure precision). Even in second or third order analysis no more than two figure accuracy in the final power output and

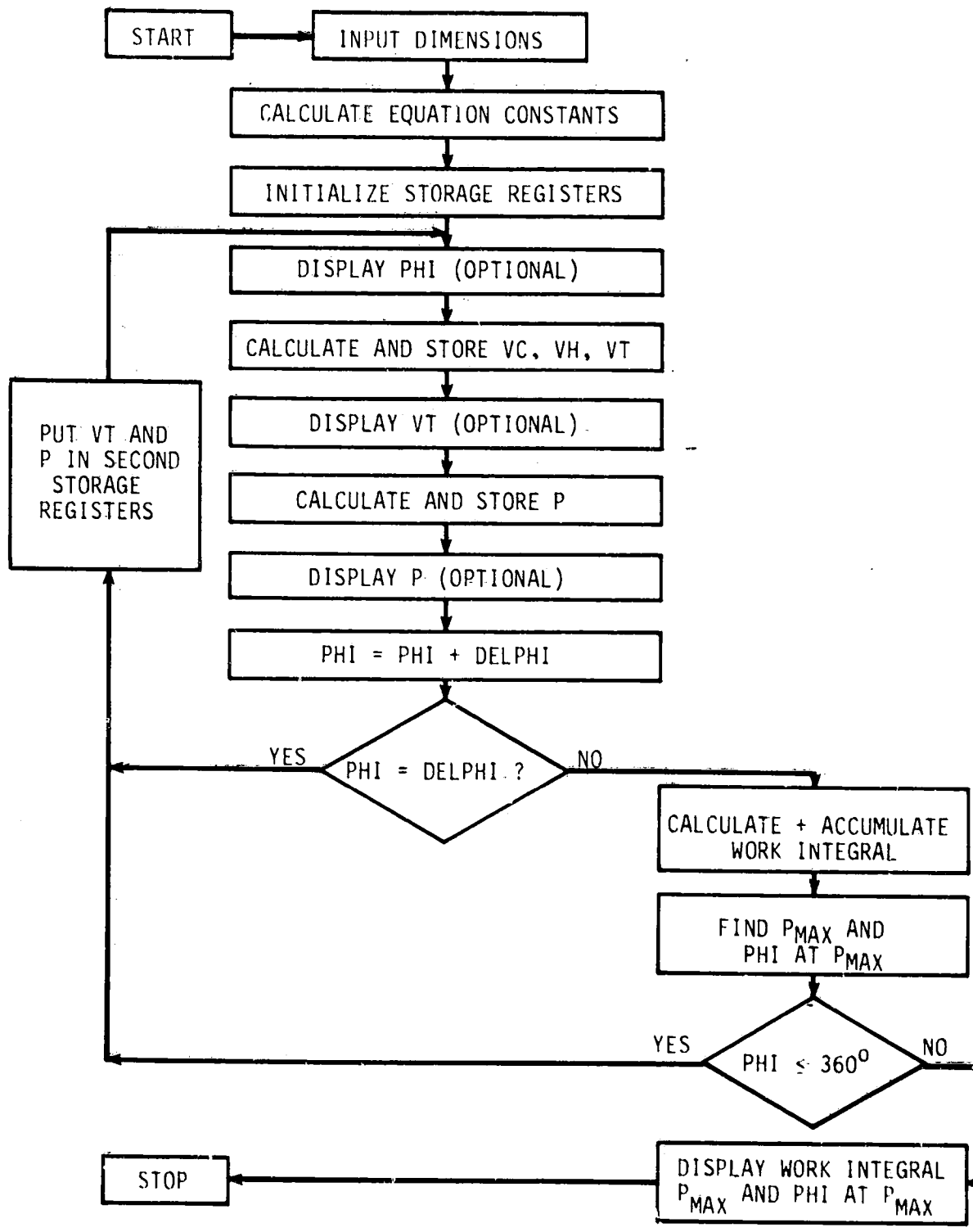


Figure 4-9. Flow Diagram for Work Integral Analysis.

efficiency should ever be expected. Thus errors less than 1% should be considered insignificant. Therefore, DELPHI = 15° would be adequate for all practical purposes.

4.2.1.4 Schmidt Equations

At McDonnell Douglas, Mort Mayer reduced the Schmidt Equation to the following relatively simple form (68 c).

$$W = \frac{M(R)(TC)(2\pi)B(VP)}{B^2 + C^2} \left[\frac{A}{(A^2 - B^2 - C^2)^{1/2}} - 1 \right] \quad (4-34)$$

where:

W = work per cycle, J
M = gas inventory, g mol
R = gas constant = 8.314 J/g mol · K
TC = effective cold gas temperature, K
TH = effective hot gas temperature, K

$$A = VCO + \frac{TC}{TH} (VHO)$$

$$VCO = \frac{VPL}{2} + VDC + \frac{VCL}{2} + \frac{VRD}{2}$$

$$VHO = VHD + \frac{VHL}{2} + \frac{VRD}{2}$$

$$VI = VPL/2$$

$$B = \frac{VHL}{2} \left(1 - \frac{TC}{TH}\right) \sin(\text{ALPH})$$

$$C = [VPL - VHL \left(1 - \frac{TC}{TH}\right) \cos(\text{ALPH})] / 2$$

ALPH = phase angle between displacer and power piston, normally 90°

From the sample engine specifications:

$$VCO = \frac{40}{2} + 0 + \frac{40}{2} + \frac{40}{2} = 60 \text{ cm}^3 = 60 \times 10^{-6} \text{ m}^3$$

$$VHO = 0 + \frac{40}{2} + \frac{40}{2} = 40 \text{ cm}^3 = 40 \times 10^{-6} \text{ m}^3$$

$$A = 60 \times 10^{-6} + \frac{300}{600} (40 \times 10^{-6}) = 8 \times 10^{-5} \text{ m}^3$$

$$B = \frac{40 \times 10^{-6}}{2} \left(1 - \frac{300}{600}\right) = 1 \times 10^{-5} \text{ m}^3$$

$$C = \frac{40 \times 10^{-6}}{2} = 2 \times 10^{-5} \text{ m}^3$$

Using these inputs the Mayer equation gives:

$$W = 329.2005026 \text{ Joules}$$

The Mayer equation evaluates the integral exactly given the assumptions that were used in its derivation, like sinusoidal motion and half the dead space at hot temperature and half at cold temperature. The numerical method (Section 4.3.1.3) approaches this same value as the angle increment approaches zero. The Mayer equation must have $V_{HL} = V_{CL}$. That is, it cannot consider the effect of the displacer drive rod.

J. R. Senft (76 n) presents a Schmidt equation for finding the energy generated per cycle. His assumptions are the same as have been made so far with the temperature of the dead space gas having the arithmetic mean between the hot and cold gas spaces. This equation is for a beta type engine with the displacer and power piston essentially touching at one point during the cycle. His equation is:

$$W = \frac{\pi(1 - \tau) P_{\max} V_d k \sin \alpha}{Y + (Y^2 - X^2)^{1/2}} \left[\frac{Y - X}{Y + X} \right]^{1/2} \quad (4-35)$$

where

$$X = \left[(\tau - 1)^2 + 2(\tau - 1) k \cos \alpha + k^2 \right]^{1/2}$$

$$Y = \tau + \frac{4\tau}{1 + \tau} + D$$

$$D = (1 + k^2 - 2k \cos \alpha)^{1/2}$$

In order to illustrate and check this equation it is evaluated for a specific case previously computed by numerical methods. (See Section 4.2.1.3 for $TR = 450$ K and $V_{CD} = -11.715$ cm³.)

$$\tau = \frac{T_C}{T_H} = \frac{300}{600} = 0.5$$

$$V_d = \text{volume swept by displacer} = V_{HL} = V_{CL} = 40 \text{ cm}^3$$

$$V_p = \text{volume swept by piston} = V_{PL} = 40 \text{ cm}^3$$

$$V_D = \text{volume of all dead space} = V_{RD} + V_{HD} + V_{CD} = 40 \text{ cm}^3$$

$$X = V_D/V_d = 40/40 = 1$$

$$k = V_p/V_d = 40/40 = 1$$

$$\alpha = \text{phase angle} = \text{ALPH} = 90^\circ$$

$$P_{\max} = \text{maximum pressure attained during each cycle} = 74.0862 \text{ MPa}$$

$$D = (1 + 1 - 2(1)\cos 90^\circ)^{1/2} = \sqrt{2}$$

$$Y = 0.5 + \frac{4(1)(0.5)}{(1.5)} + \sqrt{2} = 3.247547$$

$$X = \left[(0.5 - 1)^2 + 2(0.5 - 1)(1)(\cos 90^\circ) + 1 \right]^{1/2} = 1.118034$$

$$\left[\frac{Y - X}{Y + X} \right]^{\frac{1}{2}} = 0.698424$$

$$Y + (Y^2 - X^2)^{\frac{1}{2}} = 6.296573$$

$$W = \frac{\pi (1 - 0.5)(74.0862)(40)(1) \sin 90^\circ (0.698424)}{6.296573}$$

$$= 516.33 \text{ Joules}$$

This answer agrees very well with results obtained by numerical methods of 516.32 joules. Senft (77 ak) also has adapted his equation for a gamma type engine (without stroke overlap). In this case the equations for W and X are the same and the equation for Y is:

$$Y = \frac{4 X \tau}{(1 + \tau)} + 1 + \tau + k \quad (4-36)$$

Therefore:

$$Y = \frac{4(1)(0.5)}{1.5} + 1 + 0.5 + 1 = 3.833333$$

$$\left(\frac{Y - X}{Y + X} \right)^{\frac{1}{2}} = 0.740513$$

$$Y + (Y^2 - X^2)^{\frac{1}{2}} = 7.50000$$

To agree with the numerical analysis of Section 4.2.1.3 for TR = 450 K, P_{max} = 58.10 MPa.

Thus:

$$W = \frac{\pi(1 - 0.5)(58.10)(40)\sin 90^\circ(0.740513)}{7.50000}$$

$$W = 360.45 \text{ Joules}$$

This result agrees exactly with the numerical analysis for DELPHI = 1°, TD = 450 K and P_{max} = 58.10 MPa. (See Section 4.2.1.3.)

This new Senft equation is also correct.

Cooke-Yarborough (74 i) has published a simplified expression for power output which makes the approximation that not only the volume changes but also the pressure changes are sinusoidal. The regenerator is treated as being half at the hot volume temperature and half at the cold volume temperature. His equation is:

$$\text{Output Power} = \frac{\bar{P}\omega}{8} \frac{V_E V_O}{V_M} - \frac{\Delta T \sin}{T_C + \frac{V_C}{V_M} \Delta T} \quad (4-37)$$

where:

\bar{P} = mean pressure of working gas, or pressure with both displacer and power piston at mid-stroke. (With the approximations used, these two pressures can be regarded as identical.) If the mean pressure is known, it can be used directly in Equation (4-37). Otherwise the mid-stroke pressure can be calculated as follows:

$$\bar{P} = \frac{MR}{\frac{VHL}{2(T_H)} + \frac{VRD}{TR} + \frac{VLC}{2T_C} + \frac{VPL}{2T_C}}$$

$$= \frac{10.518}{\frac{20}{600} + \frac{40}{432.8} + \frac{20}{300} + \frac{20}{300}}$$

$$\bar{P} = 40.59 \text{ MPA}$$

= operating frequency, radians/sec

= 2π so that output power in watts is numerically equal to power per cycle, Joules

$$V_E = VHL = 40 \text{ cm}^3$$

$$V_O = VPL = 40 \text{ cm}^3$$

V_M = total gas volume of system when output piston is at midstroke

$$= VHL + VRD + \frac{VPL}{2}$$

$$= 40 + 40 + 20 = 100 \text{ cm}^3$$

$$\Delta T = T_E - T_C = 600 - 300 = 300 \text{ K}$$

$$\theta = \text{phase angle} = \alpha = 90^\circ$$

V_C = cold gas volume with both piston and displacer at midstroke and regenerator volume split between hot and cold volumes

$$= \frac{VRD}{2} + \frac{VCL}{2} + \frac{VPL}{2}$$

$$= \frac{40}{2} + \frac{40}{2} + \frac{40}{2} = 60 \text{ cm}^3$$

$$\text{output power} = \frac{40.59(2\pi)}{8} \frac{40(40)}{100} \frac{(300)1}{300 + \frac{60}{100}(300)}$$

$$= 318.79 \text{ Joules/cycle}$$

Because of how V_C is determined this result should be compared to the Mayer equation, that is, to 329.20 joules. Therefore, the Cooke-Yarborough equation appears to be a reasonably good approximation (3.2% error). The accuracy improves as the dead volume is increased, because the pressure waveform is then more nearly sinusoidal.

4.2.2 Dual Piston Engines

4.2.2.1 Engine Definition and Sample Engine Specifications

The nomenclature for engine internal volumes and motions are described in Figure 4-10. Also given in Figure 4-10 are the assumed values for the sample case. The following equations describe the volumes and pressures.

Hot Volume

$$V_H = \frac{V_{HL}}{2} [1 - \sin(\text{PHI})] + V_{HD} \quad (4-38)$$

Cold Volume

$$V_C = \frac{V_{CL}}{2} [1 - \sin(\text{PHI} - \text{ALPH})] + V_{CD} \quad (4-39)$$

Total Volume

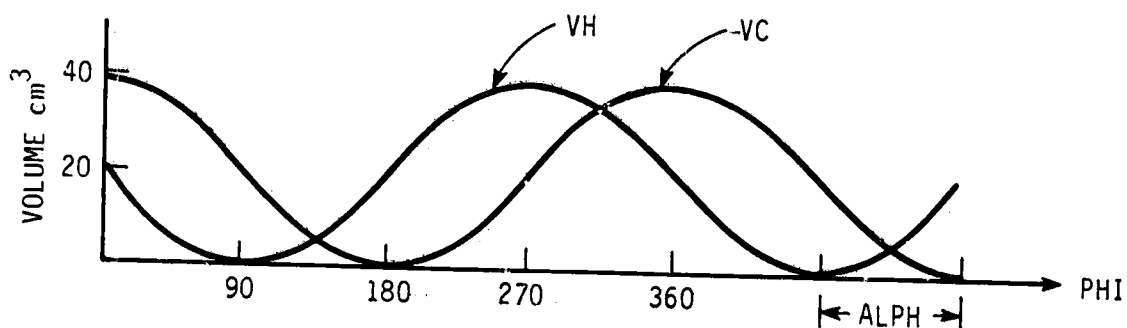
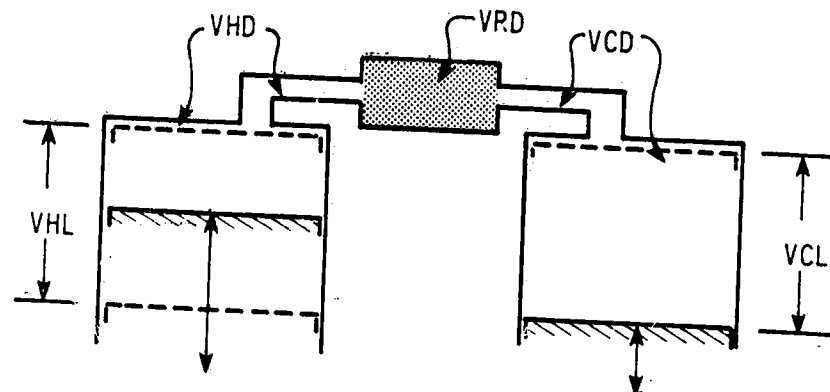
$$V_T = V_H + V_C + V_{RD} \quad (4-40)$$

Engine Pressure

$$P = \frac{M(R)}{\frac{V_H}{T_H} + \frac{V_C}{T_C} + \frac{V_{RD}}{T_R}} \quad (4-41)$$

4.2.2.2 Numerical Analysis

Using the assumed values given in Figure 4-10, Equations 4-38 to 4-41 were evaluated for $\text{PHI} = 0, 30, 60, \dots, 360$. The results were:



Symbol	Definition	Units	Assumed Value
VHD	hot dead volume	cm ³	0
VRD	regenerator dead volume	cm ³	40
VCD	cold dead volume	cm ³	0
VHL	hot piston live volume	cm ³	40
VCL	cold piston live volume	cm ³	40
TH	effective hot gas temp.	K	600
TC	effective cold gas temp.	K	300
TR	effective regenerator g. t.	K	450
M	engine gas inventory	g mol	1.265
R	gas constant	J/g mol·K	8.314
M(R)	common gas pressure	J/K	10.518
P	crank angles	MPa	to be calculated
PHI	crank angle increment	degrees	(DELPHI)N = 360
DELPHI	crank angle increment	degrees	N = integer
ALPH	phase angle	degrees	

Figure 4-10. Dual Piston Engine Nomenclature and Assumptions for Sample Case.

PHI Degrees	VT cm ³	P MPa
0	100.0	41.2
30	87.3	45.7
60	72.7	54.4
90	60.0	67.6
120	52.7	83.0
150	52.7	91.9
180	60.0	86.1
210	72.7	71.2
240	87.3	57.0
270	100.0	47.3
300	107.3	41.9
330	107.3	39.9
360	100.0	41.2

This data is graphed in Figure 4-11 and graphically integrated. A value of 695.3 J was obtained. As before, a numerical integration was carried along as the points were calculated. This was 668.8 joules, a 3.8% error which indicates the accuracy of the graphical integration procedure. To approach the answer that should be obtained by valid Schmidt equations, DELPHI should be reduced toward zero. The results obtained were:

DELPHI	$\oint VdP$ Joules	P _{max}	TR K	% Error Due to DELPHI
30	668.8	91.87	450	4.5
10	696.8		450	0.5
1	700.324	91.98	450	0
30	641.284	89.121	432.8	4.5
1	671.517	89.220	432.8	0
30	587.9		400	4.5
1	615.619	83.831	400	0

Note the difference in the result depending on what is used for the effective temperature of the gas in the regenerator. If the regenerator has a uniform temperature gradient from hot to cold, which it usually does, then the log. mean temperature ($TR = 432.8 \text{ K}$) is correct. The arithmetic mean ($TR = 450 \text{ K}$) gives a result for this numerical example 4.3% high. The assumption that the regenerator is half hot and half cold ($TR = 400 \text{ K}$) gives a result 9.1% low.

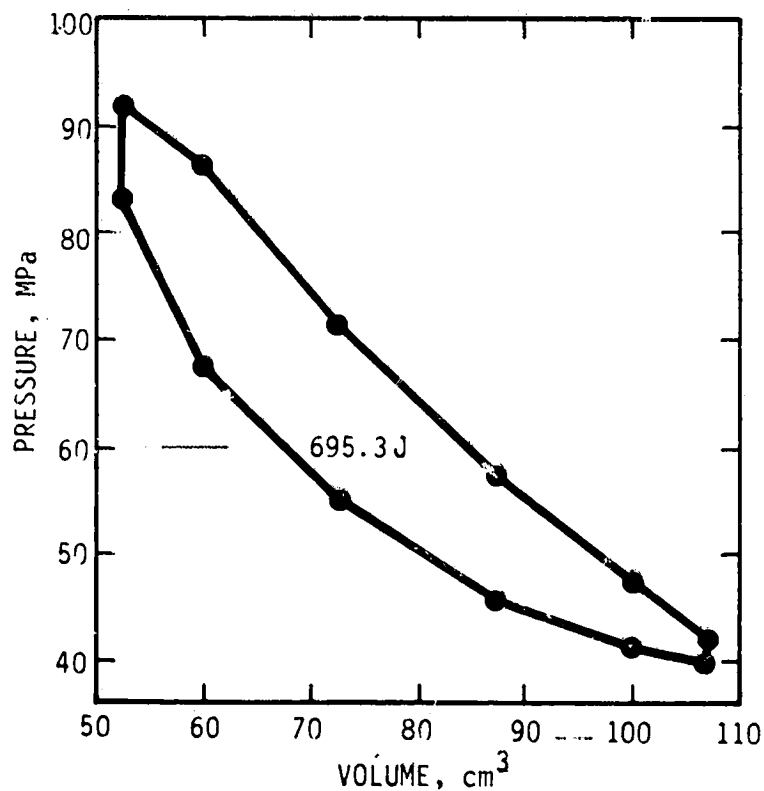


Figure 4-11. Work Diagram for Dual Piston Sample Case ($\text{DELPHI} = 30^\circ$).

4.2.2.3 Schmidt Equations

Walker (73 j) gives a Schmidt equation most adaptable to the two piston engine. Using his nomenclature it is: _____

$$P = (P_{\max} - V_T) \pi \frac{(\tau - 1)}{(\kappa + 1)} \left(\frac{(1 - \delta)}{(1 + \delta)} \right)^{\frac{1}{2}} \frac{\delta \sin \theta}{1 + (1 - \delta^2)^{\frac{1}{2}}} \quad (4-42)$$

where

- P = work per cycle, Joules
- P_{\max} = maximum pressure during cycle, MPa
- $V_T = V_E + V_C = (1 + \kappa)V_E$
- V_E = swept volume in expansion space = VHL
- V_C = swept volume in compression space = VCL
- $\kappa = V_C/V_E$, swept volume ratio
- $\tau = T_C/T_E$
- T_C = compression space gas temperature = TC
- T_E = expansion space gas temperature = TH
- $T_D = \text{dead space gas temperature} = TR$
 $= (T_C + T_E)/2$
- $\delta = (\tau^2 + 2\tau\kappa \cos \alpha + \kappa^2)^{\frac{1}{2}} / (\tau + \kappa + 2S)$
- α = angle by which volume variations in expansion space lead those in compression space, degrees
- $S = 2X\tau / (\tau + 1)$ (This is where the arithmetic average temperature for the regenerator enters.)
- $X = V_D/V_E$, dead volume ratio
- $V_D = \text{total dead volume, cm}^3 = VHD + VRD + VCD$
- $\theta = \tan^{-1} (\kappa \sin \alpha / (\tau + \kappa \cos \alpha))$ (Note that θ defined incorrectly in Walker's table of nomenclature and on page 36, but is right on page 28 of reference 73j)

Now in order to check this equation against numerical analysis it should give a work per cycle of slightly greater than 700.324 Joules when 91.98 MPa is used as the maximum pressure. $T_D = 450$ K is the same assumption for both. (See Section 4.2.2.2.)

Therefore:

$$\begin{aligned}
 V_T &= 40 + 40 = 80 \text{ cm}^3 \\
 \kappa &= V_C/V_E = 40/40 = 1 \\
 P_{\max} &= 91.98 \text{ MPa} \\
 \tau &= T_C/T_E = 300/600 = 0.5 \\
 X &= V_D/V_E = 40/40 = 1 \\
 S &= 2(1)(0.5)/(0.5 + 1) = 2/3 \\
 \delta &= (0.5^2 + 1^2)^{1/2}/(0.5 + 1 + 2(2/3)) = 0.39460 \\
 \theta &= \tan^{-1}(1/0.5) = 63.43^\circ \\
 P &= -700.37 \text{ joules}
 \end{aligned}$$

Thus the formula checks to 4 figure accuracy except for the sig .

Walker obtained the above equation along with most of the nomenclature from the published Philips literature. Meijer's thesis (60 c) contains the same formula on page 12 of reference 60 c, except he uses $(1 - \tau)$ instead of $(\tau - 1)$ and a positive result would therefore be obtained.

In Meijer's thesis (60 c), the quantity S is defined so that dead spaces in heaters, regenerator and coolers and clearance spaces in the compression and expansion spaces, all of which have different temperatures associated with them, can be accommodated.

Thus:

$$S = \sum_{s=1}^{s=n} \frac{V_s T_C}{V_E T_s} \quad (4-43)$$

where V_s and T_s are the volumes and absolute temperatures of the dead spaces. Using this formula it would be possible to use the more correct log mean temperature for the regenerator. Thus:

$$S = \frac{40(300)}{40(432.8)} = 0.693$$

The above equation then evaluates to:

$$P = 671.537 \text{ Joules}$$

This is within 0.003% of the value of 671.517 computed numerically for 1 degree increments (see Section 4.2.2.2).

Finkelstein (60 v) independently of Meijer derived the following formula for the work per cycle:

$$P = \frac{2\pi n(1 - \tau) \sin \alpha}{(\tau + n + v)^2} \text{ WRT } (f_w(\rho)) \quad (4-44)$$

where

$$f_w(\rho) = 1/(\sqrt{1-\rho^2}(1+\sqrt{1-\rho^2}))$$

From his derivation it is apparent that his nomenclature runs parallel to that used by Walker. Thus:

$$\eta = \kappa, \tau = \tau, \alpha = \alpha, v = X, v = 2S, \rho = \delta, T = T_c$$

and $V = V_E$ also Finkelstein's WR is equivalent to $M(R)$ used in the numerical analysis. When these transformations are made:

$$P = \frac{2\pi\kappa(1-\tau)(\sin\alpha)M(R)T_c}{(\tau + \kappa + 2S)^2\sqrt{1-\delta^2}(1+\sqrt{1-\delta^2})} \quad (4-45)$$

Using the last numerical example:

$$S = \frac{40(300)}{40(32.8)} = 0.693$$

$$\tau = 0.5$$

$$\kappa = 1$$

$$\alpha = 90^\circ$$

$$M(R)T_c = 10.518(300) = 3155.4$$

$$\delta = \sqrt{1.25/(1.5 + 2S)} = 0.38735$$

$$P = 671.55$$

This compares to 671.537 by the Meijer formula and to 671.517 by numerical analysis with 1 degree increments. Therefore, the above formula also is useful in computing the work output per cycle. Note that this formula employs the gas inventory instead of the maximum pressure.

Zarinchang (75 d) presents a formula for the work output per cycle of a dual piston engine. It bears a superficial resemblance to the Walker equation but is not identical or easily converted to it. It will now be evaluated numerically to determine if it gives the right answer.

$$W = \frac{\pi k(1-t) P_{\max} V_{1,\max} \sqrt{1-F} \sin\alpha}{(t+k+S)\sqrt{1+F}(1+\sqrt{1-F^2})} \quad (4-46)$$

where

W = work output per cycle, joules

k = ratio of swept volume of compression space to expansion space, = 1 for the sample problem being used.

t = temperature ratio $300/600 = 0.5$

P_{\max} = maximum pressure = 91.98 MPa

$V_{1,\max}$ = assumed to be swept volume of expansion space, not defined in reference 75 d = 40 cm^3

$$F = \frac{t^2 + k^2 + 2tk \cos \alpha}{(t + k + S)}$$

- α = phase lag of the crank for the compression space piston behind the crank for the expansion space piston = 90°
 S = proportional dead space referring to swept volume of the expansion and reduction to lower temperature
 = $4\lambda t / (1 + t)$ Arithmetic mean temp. for regenerator
 λ = ratio of total dead volume to swept volume of expansion space = $40/40 = 1$.

Evaluating:

$$S = 4(1)(.5)/1.5 = 4/3$$

$$F = \frac{0.25 + 1 + 2(.5)(1)(0)}{(.5 + 1 + 4/3)} = 0.441$$

W = 669.408 Joules - 4.4% low compared to the Walker formula and to numerical analysis

However, if F is defined the same as s of the Walker formula, that is, put a square root sign over the entire numerator, then $F = 0.39460$ and $W = 700.37$, exactly the same magnitude as obtained with the Walker formula. Thus it is concluded that the Zarinchang formula is also valid after it is corrected as shown above.

4.2.3 Experience Factors

Once the Schmidt and the Carnot equations have been evaluated for an engine, a rough estimate of its power output and efficiency can be made if it is designed similar to an engine for which test data exists.

Figure 4-12 shows how experience factors can be applied after relatively simple calculations to obtain ball park estimates of the size, weight, and efficiency for a particular output power level desired.

To illustrate, assume one has an engine for which you know the dimension, the speed of operation, average operating pressure, type of engine (α , β or γ) and input and output metal temperature. From this information one can calculate using the appropriate Schmidt equation from the preceding sections the calculated power output, W_c . If the engine were perfect with no losses then the Carnot equation would apply:

$$\eta_c = 1 - \frac{T_c}{T_H} = \frac{W_c}{Q_c}$$

where Q_c = basic heat required before losses are added.

By measuring instantaneous values of engine pressure and power piston displacement, one can plot a work diagram. The area of this diagram times engine speed is the measured indicated power, W_i . The heat input to the engine, Q , can be most conveniently measured by adding the heat absorbed by the cooling water to the power output. Q is considerably greater than Q_c . The indicated

efficiency, η , is W_i/Q . Some of the measured indicated power is absorbed by friction in the seals and cranks of the engine. Brake power, W_B , is the power that can be measured on the output shaft by measuring the braking torque and the speed. The mechanical efficiency is W_B/W_i . The brake efficiency is $\eta_B = W_B/Q$. To operate independently most engines require auxiliaries. For a typical Stirling engine a fuel pump, a combustion air blower, a water pump, a cooling air fan and a working fluid pump and a generator would all draw power from the engine. The net brake power, W_{NB} , is what is left. Net brake efficiency is $\eta_{NB} = W_{NB}/Q$.

The efficiency experience factor is of three kinds:

1. indicated, η/η_c
2. brake, η_B/η_c
3. net brake, η_{NB}/η_c

These efficiency factors are expressed in the following tables as a percent of Carnot efficiency.

Power efficiency factors relate the power realized to that calculated by a Schmidt equation or equivalent.

All available information that would allow this efficiency and power experience factors to be calculated will now be given.

4.2.3.1 Efficiency Experience Factors

The most extensive information is available from publications authorized by N.V. Philips Co., and their licensees which generally give efficiency as a function of output power for a given displacement engine. For each point on the curves given the size of the gas heater, regenerator, gas cooler, the gas pressure and engine speed are chosen to give the best efficiency for the desired power. No dimensions except for the displacement are usually given but this information indicates what a well designed engine can do. Table 4-2 shows indicated efficiencies calculated by Michels for a 1-98 rhombic drive Stirling engine. The 1-98 has a 98 cc displacement displacer and power piston.

Michels shows that for optimized engines the indicated efficiency depends upon heater temperature and cooler temperature and not upon the working gas used. Figure 4-13 shows Michels' curve correctly labeled.

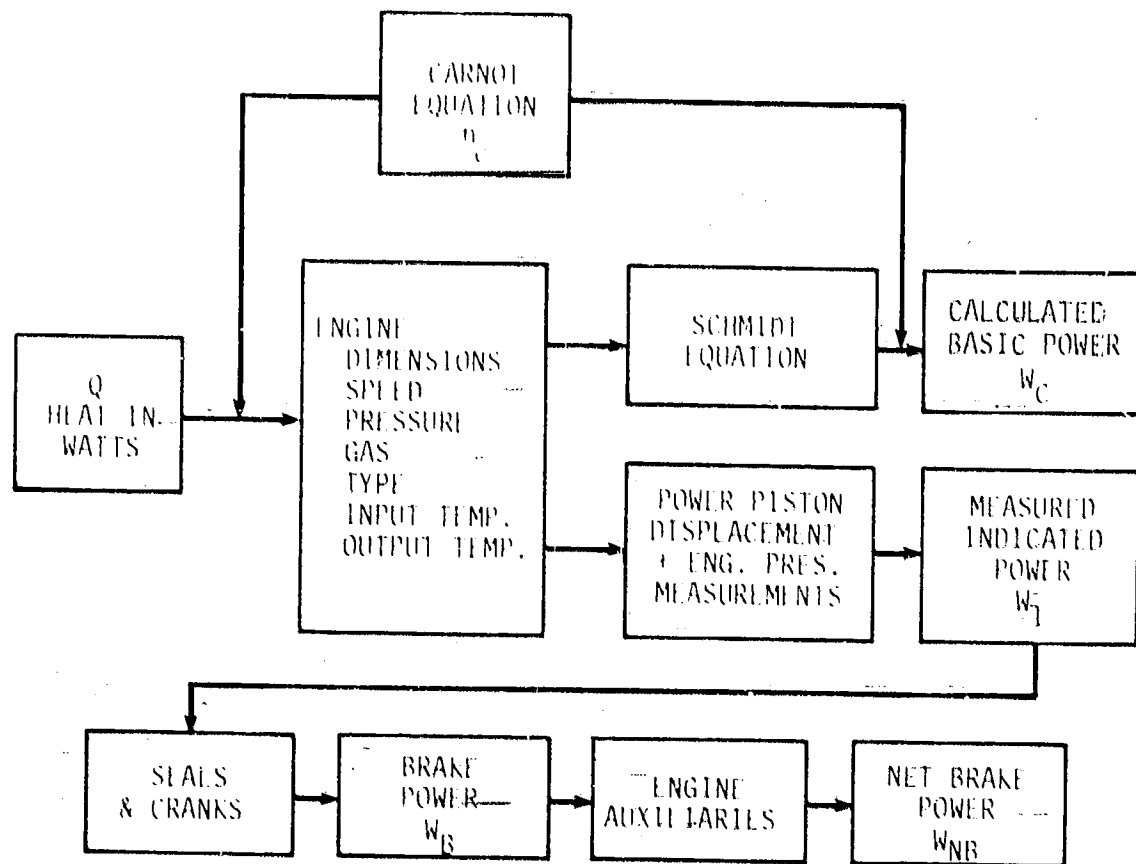


Figure 4-12. Engine Experience Factor Nomenclature.

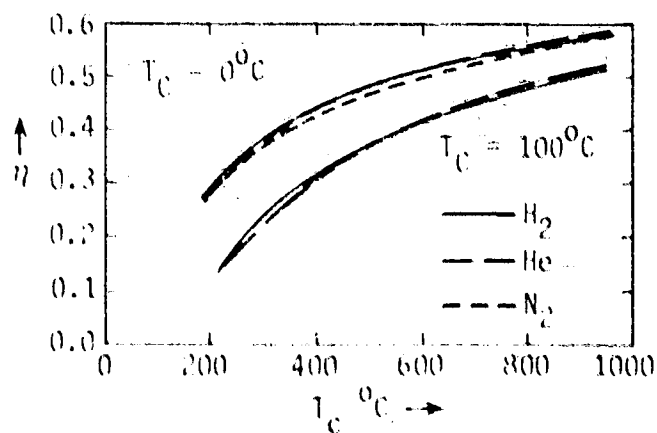


Figure 4-13. Indicated Efficiencies vs. Heater Temperature T_h at Two Different Cooler Temperatures T_c . Engine Displacement 198 cm^3 .

Table 4-2
 Indicated Efficiencies of a
 1-98 Rhombic Drive Philips Engine
 (Reference 76 e)

Working Fluid	Heater Temp. C	Cooler Temp. C	Indicated Power at Maximum Efficiency Kilowatts	Indicated Efficiency %	Percent of Carnot Efficiency
H ₂	850	100	8	50	75
H ₂	400	100	1	32	72
H ₂	250	100	.35	18	63
He	850	100	6	50	75
He	400	100	1	30	67
He	250	100	.18	17	59
N ₂	850	100	1.5	49	73
N ₂	400	100	.35	31	70
N ₂	250	100	Negative	--	--
H ₂	850	0	10	57	75
H ₂	400	0	2.8	45	76
H ₂	250	0	1	34	71
He	850	0	8	58	77
He	400	0	2	42	71
He	250	0	.7	32	67
N ₂	850	0	2	55	73
N ₂	400	0	.48	42	71
N ₂	250	0	.18	33	69

Another way of correlating the calculations is to relate the indicated efficiency to the Carnot efficiency for the particular heater and cooler temperature employed. Figure-4-14 shows this indicated efficiency factor, (η/η_c) . Note that it goes from 65 + 6% at 250 C heat temperature to 75 + 2% at 800 C. Based upon much experimental data, Michels calculates the brake efficiency factor, η_b/η_c , for an engine without powering necessary auxiliaries. Table 4-3 shows the maximum

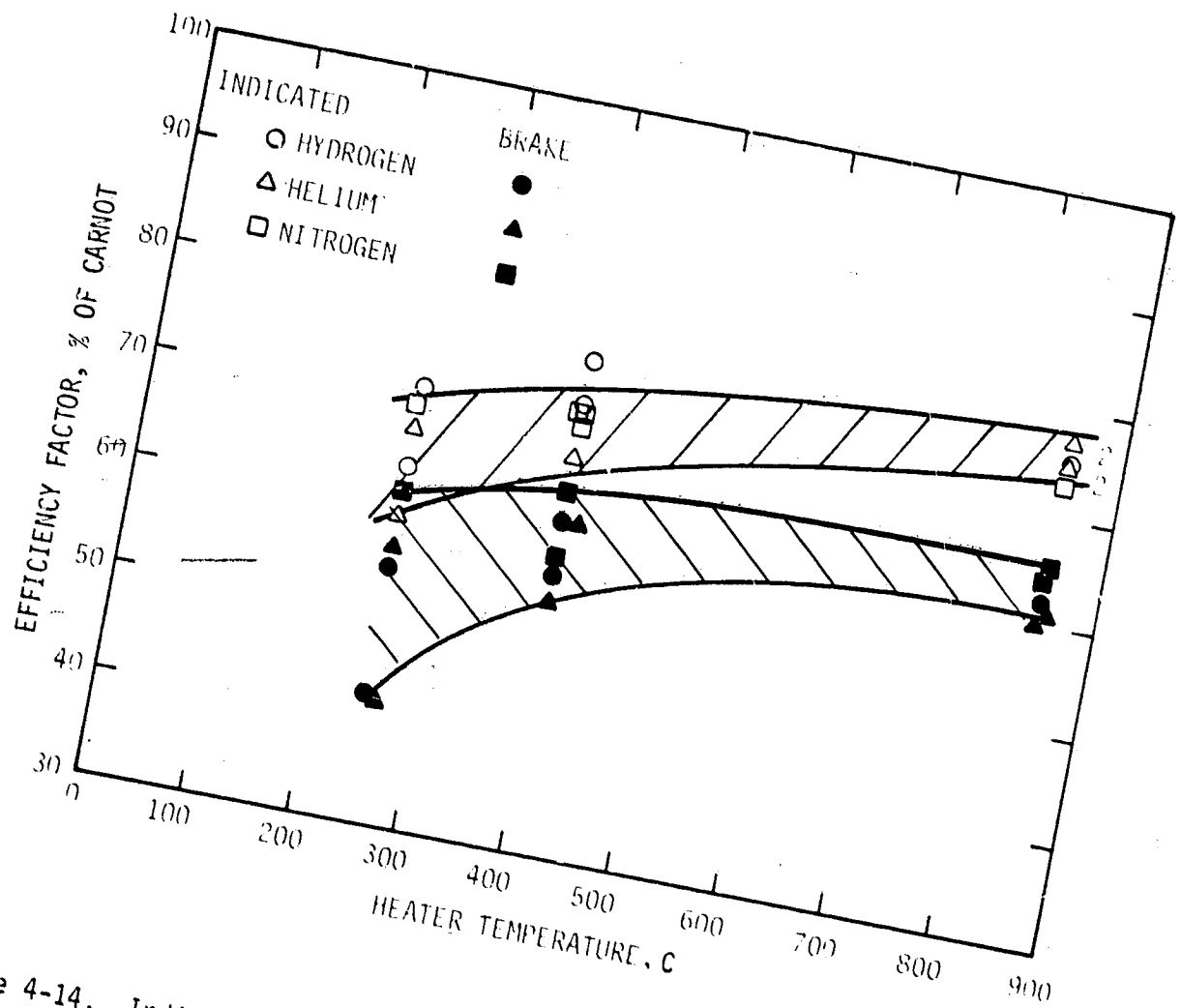


Figure 4-14. Indicated and Brake Efficiency Factors for Optimized Philips 1-98 Engines (76 e).

Table 4-3
 Computed Brake (Shaft) Efficiencies for
 a 1-98 Rhombic Drive Philips
 Engine Optimized for Each Operating Point
 (Reference 76 e)

Working Fluid	Heater Temp. C	Cooler Temp. C	Shaft Power at Max. Eff. K. watt	Brake Eff. % $\frac{W_B}{Q}$	% of Carnot Eff. $\frac{\eta_B}{\eta_C}$	Mechanical Efficiency $\frac{W_B}{W_I}$
H ₂	850	100	4	40	60	0.80
H ₂	400	100	0.8	25	56	0.78
H ₂	250	100	0.12	12	42	0.67
He	850	100	4	40	60	0.80
He	400	100	0.4	24	54	0.80
He	250	100	0.1	12	42	0.71
N ₂	850	100	1.0	43	64	0.88
N ₂	400	100	0.2	26	58	0.84
N ₂	250	100	Negative	--	--	----
H ₂	850	0	6	47	62	0.82
H ₂	400	0	1.8	36	61	0.80
H ₂	250	0	0.7	26	54	0.76
He	850	0	5	46	61	0.79
He	400	0	1.2	36	61	0.86
He	250	0	0.4	27	56	0.84
N ₂	850	0	1.3	49	65	0.89
N ₂	400	0	0.4	38	64	0.90
N ₂	250	0	0.17	29	61	0.88

Table 4-4

Maximum Brake Efficiencies for Various Stirling Engines (Reference 1975 t)

Engine Designation	Working Fluid	Mean Pressure	Heater Temp		Cooler Temp		Maximum Efficiency Operating Point		Dimension		Engine Type
			C	F	C	F	RPM	Brake Eff. %	% of Carnot	cm	
Manufacturer		MPa psia	C F	C F	C F	F	KW BHP				
Prototype United Stirling	H ₂	14.5 2100	691 1275	71 160	35 25	2000	30	47	---	---	2 Piston 4
4-235 Prototype Philips	He	22.1 3200	683 1260	43 108	175 130	1800	31	46	125 x 52 x 110 557		Piston-Displ. 4
40 HP Prototype Philips	H ₂	14.2 2053	649 1200	16 60	23 17	725	38	55	---	---	Piston-Displ. 4
Anal. Ph. 1 United Stirling	H ₂	14.5 2100	719 1325	71 160	76 57	1200	35	54	113 x 82 x 95 651		2 Piston 8
4-400 MAN-MWM	He	10.8 1570	633 1170	41 105	88 65	1000	32	49	153 x 70 x 131 ---		Piston-Displ. 4

Table 4-5

Maximum Brake Efficiencies for Various Stirling Engines

Engine Designation	Working Fluid	Mean Pressure		Heater Temp		Cooler Temp		Maximum Efficiency Operating Point		Dimension cm	Engine Type	
		MPa	psia	C	F	C	F	RPM	Brake Eff. %			% of Carnot
GPJ-3 General Motors Research (Ref. 69 f)	H ₂	6.9	1000	216	50	10	50	2000	39	53	28 x 29 x 27	Piston-Displ. 1
	H ₂	4.1	600	216	50	10	50	2500	38.5	52	28 x 29 x 27	Piston-Displ. 1
	H ₂	2.2	400	216	50	10	50	3000	37	50	28 x 29 x 27	Piston-Displ. 1
	H ₂	1.4	200	216	50	10	50	3400	32.5	49	28 x 29 x 27	Piston-Displ. 1
30-15 Phillips (Ref. 69 f)	H ₂	10.3	1500	216	50	10	50	1130	51	69	44 x 43 x 26	Pinia 4
	H ₂	8.3	1200	216	50	10	50	1200	50	68	44 x 43 x 26	Pinia 4
	H ₂	6.2	900	216	50	10	50	1400	49	67	44 x 43 x 26	Pinia 4
	H ₂	4.1	600	216	50	10	50	1450	48	65	44 x 43 x 26	Pinia 4
	H ₂	2.1	300	216	50	10	50	1800	45	61	44 x 43 x 26	Pinia 4

Table 4-5
Continued

Engine Designation Manufacturer	Working Fluid	Mean Pressure MPa psia	Heater Temp		Cooler Temp		KW BHP	RPM	Maximum Efficiency Operating Point		Dimension cm	Engine Type
			C	F	C	F			Brake Eff. %	% of Carnot		
150 HP General Motors Research (Ref. 69 f)	H ₂	$\frac{10.3}{1500}$	$\frac{816}{1500}$	$\frac{10}{50}$	$\frac{10}{50}$	$\frac{97}{130}$	1400	44	60	94 x 50 x 84	Rinia 4	
	H ₂	$\frac{8.3}{1200}$	$\frac{816}{1500}$	$\frac{10}{50}$	$\frac{10}{50}$	$\frac{78}{105}$	1500	44	60	94 x 50 x 84	Rinia 4	
	H ₂	$\frac{6.2}{900}$	$\frac{816}{1500}$	$\frac{10}{50}$	$\frac{10}{50}$	$\frac{75}{100}$	1800	44	60	94 x 50 x 84	Rinia 4	
	H ₂	$\frac{4.1}{600}$	$\frac{816}{1500}$	$\frac{10}{50}$	$\frac{10}{50}$	$\frac{52}{70}$	2000	43	59	94 x 50 x 84	Rinia 4	
	H ₂	$\frac{2.1}{300}$	$\frac{816}{1500}$	$\frac{10}{50}$	$\frac{10}{50}$	$\frac{30}{40}$	2000	40	54	94 x 50 x 84	Rinia 4	
10-36 General Motors Research (Ref. 74 c)	H ₂	$\frac{6.9}{1000}$	$\frac{760}{1400}$	$\frac{24}{75}$		--	1800	26.3	28	$\frac{36 \times 36 \times 72}{58^*}$	---	
											1	
4S1210 General Motors Research for Navy (Ref. 74 c)	H ₂	$\frac{10.3}{1500}$	$\frac{650}{1202}$	$\frac{33}{90}$		--	750	35	52	$\frac{188 \times 102 \times 193}{2300^{**}}$	---	
											4	
1-S1050 General Motors Electro Motive Div. (Ref. 74 c)	H ₂	$\frac{9.9}{1436}$	$\frac{688}{1270}$	$\frac{38}{100}$		--	1200	28	30	$\frac{91 \times 70 \times 165}{1000^{**}}$	---	
											1	
2W17A General Motors Electro Motive Div. (Ref. 74 c)	H ₂	$\frac{7.6}{1100}$	$\frac{593}{1100}$	$\frac{38}{100}$		--	900	28.4	31	$\frac{92 \times 158 \times 215}{1700^{**}}$	---	
											2	

*Bare engine with preheater. ** Without flywheel.

Table 4-6
Maximum Net Brake Efficiencies for
Various Stirling Engines

Engine Designation	Working Fluid	Mean Pressure	Heater Temp		Cooler Temp		Maximum Efficiency Operating Point		Dimension cm	wt, kg	No. of cylinders	Engine Type
			C	F	C	F	RPM	Brake Eff. % of Carnot				
4-215 Philips (Ref. 75 t)	H ₂	19.6 2850	705 1300	80 175	56 75	1100	32	50	---	340		Rinia 4
Anal. Opt. Des. Philips (Ref. 75 t)	He	22.1 3200	~760 ~1400	71 160	75 100	600	43	65	149 x 131 x 67	---		Piston-Displ. 4
GPU-3 General Motors (Ref. 75 t)	H ₂	6.89 1000	760 1400	83 180	~5.2 ~7	1900	26.5	40	40 x 40 x 73	75		Piston-Displ. 1
P-40 United Stirling (Ref. 77 bj)	H ₂	15.2 2200	721 1330	52 125		1250	35	52	---	---		Double Acting Dual Crank 4
Model IV MTI/Sunpower (Ref. 77 s)	He	5.0 725	594 1100	23 73		960	25	38	---	---		Free Piston Free Displ.
TMG(D3) Harwell (Ref. 75 t)	He	0.1 14.5	594 1101	40 104	0.0375 0.05	6000 cycles per min.	16.9	26.5	---	---		Oscillating diaphragm: sprung displacer 1

brake efficiency points for these calculations. Figure 4-14 shows how the brake efficiency factor depends on heater temperature. The mechanical efficiency for this machine is generally about 80% (see Table 4-3).

The size, weight, power and efficiency for a number of other engines mentioned in the literature are presented in Tables 4-4 and 4-5. It should be emphasized that the powers given are for the maximum efficiency operating point not the maximum power point. Note that the brake efficiencies range from 46 to 69% of Carnot.

Finegold and Vanderbrug (77 ae) using data from the Philips-Ford 4-215 engine conclude that the maximum brake efficiency is 52% of the Carnot efficiency. This factor is based upon 1975 data. Improvements have been made since then.

Net Brake Efficiency - The information presented in Tables 4-3 to 4-5 is for engines without auxiliaries. In Table 4-6 performance and efficiencies are given for the engine powering all auxiliaries needed to have the engine stand alone. This includes the cooling fan, the blower and atomizer and fuel pump for the burner, and the water pump for the radiator. Table 4-6 shows that the maximum net brake efficiency is from 38 to 65% of ideal.

Carlqvist, et. al (77 a1) give the following formula for well optimized engines operating on hydrogen at their maximum efficiency points.

$$\eta_{\text{eff}} = \frac{P_{\text{net}}}{E_F} = \left(1 - \frac{T_C}{T_H}\right) \cdot C \cdot \eta_H \cdot \eta_M \cdot f_A \quad (4-47)$$

where

η_{eff} = overall thermal or effective efficiency

P_{net} = net shaft power with all auxiliaries driven

E_F = fuel energy flow

T_C, T_H = compression = expansion gas temperature, K

C = Carnot efficiency ratio of indicated efficiency to Carnot efficiency, normally from 0.65 to 0.75. Under special conditions 0.80 can be reached.

η_H = heater efficiency, ratio between the energy flow to the heater and the fuel energy flow. Normally between 0.85 and 0.90.

η_M = mechanical efficiency, ratio of indicated to brake power. Now about 0.85 should go to 0.90.

f_A = auxiliary ratio. At maximum efficiency point $f_A = 0.95$.

Thus the most optimistic figures:

$$\eta_{\text{eff}} = \left(1 - \frac{T_C}{T_H}\right) 0.75(.90)(.90)(.95) = \left(1 - \frac{T_C}{T_H}\right)(0.58)$$

4.2.3.2 Power Experience Factors

Experience factors based upon the Schmidt Equation - Only a very few references give numbers relating the output brake power to that predicted by application of the Schmidt equation. The available data are:

<u>Author</u>	<u>Reference</u>	<u>W_B/W_C^*</u>
Urieli	1977 af	0.3 to 0.4
Zarinchang	1975 d	0.3 to 0.4
Finegold & Vanderbrug	1977 ae	0.32
Martini (calc)	Table 5.5 this report	0.6

*See Figure 4-12 for nomenclature, at maximum efficiency point.

This power experience factor is the product of two factors. One factor of about 0.8 is the mechanical efficiency for the machine. The other factor expresses the fraction of the basic power remaining after internal flow friction is deducted. This second factor is larger at the maximum efficiency point than it is at the maximum power point. Until more is known about this factor, it should be used as a very rough guide.

4.2.4 First Order Design Procedure

In a first order design procedure the following steps are used:

1. Establish T_H and T_C .
2. Calculate η_c .
3. Determine, indicated, brake and net brake efficiencies using efficiency experience factors.
4. Establish type of engine, piston displacement and fraction dead volume and speed. (See Section 3.3.3 for description of a typical engine.)
5. Compute W_C with appropriate Schmidt equation.
6. Predict brake power using the power experience factor.

As a sample of this procedure the following problem and solution is offered.

Problem: Your lab reports a new material has been discovered which will allow an engine like the GPU-3 (see Section 3.3) to operate at a 1500 C. Estimate power output and efficiency based upon first order methods.

Solution:

- 1) $T_H = 1500 + 273 = 1773 \text{ K}$
 $T_C = 20 + 273 = 293 \text{ K}$
- 2) $\eta_c = 1 - \frac{T_C}{T_H} = 1 - \frac{293}{1773} = 0.835$

- 3) From extrapolation of Figure 4-14 the brake efficiency factor is 0.65. Therefore $\eta_B = 0.65(0.835) = 0.54$.
- 4) Use the Cooke-Yarborough Equation (4-37) and further establish that:

$$P = 4.137 \text{ MPa (600 psia)}$$

$$\omega = 100\pi \text{ (50 Hz)}$$

$$V_E = (7.01)^2 (\pi/4) (3.068) = 118.4 \text{ cm}^3$$

$$V_O = 118.4 \text{ cm}^3$$

$$V_M = V_{HD} + V_{RD} + V_{CD} + 0.854V_E + 0.354V_O \quad (\text{See Section 7.2 for values of } V_{HD}, V_{RD} \text{ and } V_{CD}.)$$

$$V_M = 81.8 + 51.8 + 17.2 + 101.1 + 41.9 = 293.8 \text{ cm}^3$$

$$\Delta T = 1773 - 293 = 1480 \text{ K}$$

$$\theta = 90^\circ$$

$$V_C = \frac{V_{RD}}{2} + V_{CD} + (V_O + V_E)(0.354)$$

$$= \frac{51.8}{2} + 17.2 + (118.4 + 118.4)(.354) = 126.9 \text{ cm}^3$$

5) Calculated output power, $W_C = \frac{P\omega}{8} \frac{V_E V_O}{V_M} \frac{\Delta T \sin \theta}{T_C + \frac{V_C}{V_M} \Delta T}$

$$W_C = \frac{4.135(100\pi)}{8} \frac{(118.4)(118.4)}{293.8} \frac{(1480)(\sin 90^\circ)}{293 + \frac{126.9}{293.8} (1480)}$$

$$= 12.3 \text{ KW}$$

- 6) Choose a power experience factor of $W_B/W_C = 0.6$ so
brake power, $W_B = 0.6(12.3) = 7.38 \text{ KW}$
heat input, $Q_B = 7.38/0.54 = 13.7 \text{ KW}$

4.2.5 Conclusions on First Order Design Methods

1. First order design methods are good for preliminary system analysis.
2. Current flame-heated Stirling engines powering all auxiliaries can realize no more than 58% of the Carnot efficiency figured between the heater metal temperature and the cooling water temperature.
3. Published Schmidt equations to compute basic output power (Figure 4-12) from engine dimensions are generally correct and can be checked easily by numerical methods.
4. Reliable experience factors relating the basic power to the brake power for a well designed Stirling engine do not exist at this time.

4.3 Second Order Design Methods

Second order design methods are relatively simple computational procedures that are particularly useful for optimizing the design of a Stirling engine from scratch. An equation or a brief computational procedure is used to determine the basic power output and heat input. These then are modified by the various identifiable energy loss terms. For instance, the net output power is the

basic power output less fluid friction losses and mechanical friction losses. The net heat input is the basic heat input plus reheat loss, shuttle conduction, gas and solid conduction, pumping loss, temperature swing loss, internal temperature swing loss, heat exchanger loss, and minus the frictional heating in the hot end. Then the net efficiency is the net output power divided by the net heat input.

The methods of computing these basic heat inputs and power outputs and the losses are presented by drawing on the available literature. As in Sections 4.2.1.4 and 4.2.2.3, more than one equation or method may be available. For lack of time some of the more complicated methods will only be referred to in this edition. Eventually a trade-off needs to be made between cost of computation and accuracy. However, many more computations need to be done and much more reliable measurements need to be made on well known engines before this kind of judgement can be made.

This section reviews the literature. Section 7.1 presents an engine design form using some of the simpler equations. Section 7.2 presents a worked out example for the GPU-3 engine. This section will use an all-capital-letter nomenclature so that there need not be a change in nomenclature when the equations are coded in FORTRAN or another machine language.

4.3.1 Capital Letter Nomenclature for Section 4.3

- $A = \sqrt{(LCR)^2 - (ECC - RC)^2}$ (See Figure 4-15.)
 AC = Effective free flow area for matrix, cm²
 AF = Average free flow area through regenerator, cm²
 AHT = Heat transfer area for matrix or cylinder wall, cm²
 AHTA = Conduction heat transfer area of one regenerator cylinder at level A, cm²
 AHTB = Conduction heat transfer area of one regenerator cylinder at level B, cm²
 AHTC = Conduction heat transfer area of one regenerator cylinder at cold end, cm²
 AHTH = Conduction heat transfer area of one regenerator cylinder at hot end, cm²
 ALPH = Phase angle, degrees
 $B = \sqrt{(LCR)^2 - (ECC + RC)^2}$ (See Figure 4-15.)
 BET = Half angle of interleaving cones, degrees
 BP = Basic output power from Stirling engine before losses are deducted, watts

$$B(M'', N'') = \int_0^{\frac{\pi}{2}} \sin^{2M''} \theta - 1 \cos^{2N''} \theta - 1 d\theta$$

$$M'' = (3 - NX)/2$$

$$N'' = \frac{1}{2}$$

(for wires and screens, NX = 0.59 and B(M'', N'') is 1.79)

- $C = \sqrt{(LCR - RC)^2 - (ECC)^2}$
 CP = Heat capacity of gas at constant pressure, J/g K
 CPI = Heat capacity of gas at constant pressure when flowing from hot end to cold end of regenerator, J/g K
 CPM = Heat capacity of regenerator matrix, J/g K
 CPO = Heat capacity of gas at constant pressure when flowing from cold end to hot end of regenerator, J/g K
 CP1 = Heat capacity of piston or displacer, J/g K
 CP2 = Heat capacity of cylinder wall, J/g K
 CV = Heat capacity of gas at constant volume, J/g K
 C1 = $A1(CV)/(CP)$
 C2L = $(XK)(AHT)/((CP)(MDA)^1 - N(AF))$ with XK, MDA and N evaluated at outlet, cold conditions
 C2O = $(XK)(AHT)/((CP)(MDA)^1 - N(AF))$ with XK, MDA and N evaluated at inlet, hot conditions
 C3 = Geometry constant (see Equation 4-130)
 $D = \sqrt{1 + K^2 - 2K \cos(\text{ALPH})}$
 DC = Diameter of compression, cold piston, cm
 DCY = Diameter of engine cylinder, cm
 DC1 = Diameter of cone at base, cm
 DD = Diameter of displacer cylinder, cm
 DDR = Diameter of displacer drive rod, cm
 DE = Diameter of expansion, hot space, cm
 $DEL = \frac{\sqrt{(\text{TAU})^2 + 2(\text{TAU})(KAP)\cos(\text{ALPH}) + (KAP)^2}}{(\text{TAU} + KAP + 2S)}$
 DELP = Pressure drop, MPa
 DELTMX = Temperature swing of the regenerator matrix material, K (see Equation 4-127)
 DELW = Work for one increment
 DIC = Inside diameter of cooler tubes, cm
 DID = Internal diameter of displacer, cm
 DIH = Inside diameter of heater tubes, cm
 DOC = Outside diameter of cooler tubes, cm
 DOH = Outside diameter of heater tubes, cm
 DP = Diameter of power piston cylinder, cm
 DR = Diameter of each regenerator, cm
 $D1 = \sqrt{(LCR + RC)^2 - (ECC)^2}$
 E = $RC \sin(\text{PHI})$
 ECC = Crank eccentricity, cm (see Figure 4-15)
 ET = Regenerator efficiency
 F = Friction factor
 FA = Area factor for radiant heat transfer, Equation 4-122 and 4-123
 FC = Fraction of gas inventory in cold space
 FCMAX = Maximum in FC during cycle
 FCMIN = Minimum in FC during cycle
 FCT = Fraction of cycle time for gas flow into hot space
 FCTC =
 FCTH = Effective fraction of the total cycle time steady flow passes in one direction through the cooler (heater).

- FC11.
 FC12 - Effective fraction of cycle time steady mass flow moves out of (into) the hot space
 FC13.
 FC14 - Effective fraction of cycle-time steady mass flow moves out of (into) the cold space
 FCW - Cooling water flow, g/sec
 FI - Emissivity factor for radiant heat transfer
 FJ - Filler factor, fraction of regenerator volume filled with solid
 FH - Fraction of gas inventory in hot space
 FHMAX - Maximum in FH during cycle
 FHMIN - Minimum in FH during cycle
 FN - Radiation shield factor
 FR - Fraction of gas inventory in-regenerator

$$F\theta = \sqrt{(LCR)^2 - FCC} - (RC)\cos(\theta)$$

 G - Mass velocity, based upon flow area, g/cm²sec
 GC - Single annulus cooler gap thickness, cm
 GI - Mass velocity when gas flows from hot end of regenerator to cold end
 GO - Mass velocity when gas flows from cold end of regenerator to hot end
 GCI - conversion constant

$$I_0 \text{ g}^2 (\text{MPa} \cdot \text{sec}^2 \cdot \text{cm})$$

 GH - Single annulus heater gap thickness, cm
 GR - Displacer gap thickness, cm
 GIA - Time averaged gap thickness, cm
 H - Heat transfer coefficient, w/cm²K
 HI - Heat transfer coefficient when gas flows from hot end to cold end of regenerator, w/cm²K
 H' - Heat transfer coefficient when gas flows from cold end to hot end of regenerator, w/cm²K
 K - VPL VIII
 KAP - VCL VIII
 KG - Gas thermal conductivity, w/cm² ($\frac{\text{K}}{\text{cm}}$)
 KM - Thermal conductivity of metal, w/cm K
 KMA - Metal thermal conductivity at level A, w/cm K
 KMB - Metal thermal conductivity at level B, w/cm K
 KMC - Metal thermal conductivity at cold metal temperature, w/cm K
 KMH - Metal thermal conductivity at hot metal temperature, w/cm K
 KMX - Thermal conductivity of regenerator matrix, w/cm K
 KI - Thermal conductivity of piston or displacer, w/cm K
 K' - Thermal conductivity of cylinder wall, w/cm K
 L - Length of matrix, cm
 LAC - Length wall from level A to cold end (See Figure 4-23), cm

$$L_B = \frac{KG}{2 \cdot (GR)^2} \left(\frac{LH}{KI} + \frac{LE}{K'} \right)$$

 LBA - Length wall from level B to A (See Figure 4-23), cm
 LC - Total length of each cooler tube, cm
 LCH - Cooled length of each cooler tube, cm
 LCR - Connecting rod length for Rhombic drive, cm (See Figure 4-15)
 LCRD - Length of displacer connecting rod, cm

- LCRP = Length of power piston connecting rod, cm
 LCI = Length of cone, cm
 LD = Length of displacer, cm
 LH = Total length of each heater tube, cm
 LHB = Length of cylinder or regenerator wall from hot end to Level B (See Figure 4-23), cm
 LHHI = Heated length of each heater tube, cm
 LMX = Half thickness for sheets and radius for wires of regenerator material, cm
 LR = Length of regenerator, cm
 LTI = Temperature wave length in displacer wall, cm

$$\lambda_{TI} = \frac{\sqrt{2}(TDI)}{\omega MG}$$
 LT2 = Temperature wave length in cylinder wall, cm

$$\lambda_{T2} = \frac{\sqrt{2}(TD_2)}{\omega MG}$$

$$L1 = \frac{KG \sqrt{(OMG)(GR)^2}}{KG \sqrt{2}(TD1)}$$
 M = Working gas inventory, g mol
 MDA = Amplitude of sinusoidal mass velocity at inlet, hot ($X = 0$) of regenerator, g/sec cm
 MFL = Mechanical friction loss, watts
 MMX = Mass of all matrix material, g
 MSH = Mesh size, wires/cm
 MU = Gas viscosity, g/cm sec
 MW = Molecular weight of working gas, g/g mol
 N = Number of power units per engine
 NC = Number of cones on piston or displacer
 NP = Net power, watts
 NR = Number of regenerators per power unit
 NS = Number of screen layers per regenerator
 NTC = Number of cooler tubes per power unit
 NTH = Number of heater tubes per power unit
 NTUC = Number of transfer units for gas cooler

$$= \frac{H(AHT)}{2FCV(WCS)(CV)}$$
 NTUH = Number of transfer units for gas heater

$$= \frac{H(AHT)}{2FCV(WHS)(CV)}$$
 NTUP = Number of transfer units for regenerator using constant pressure heat capacity

$$= \frac{H(AHT)}{(WHS)(CP)}$$
 NTUV = Number of transfer units for regenerator using constant volume heat capacity

$$= \frac{H(AHT)}{(WHS)(CV)}$$
 NU = Engine frequency, Hz, cycles/sec
 NX = Exponent in correlation for heat transfer coefficient

$$h = XK(W)^{NX}$$
 P = Pressure at angle PHI for M(R) = 1, MPa, see Equation 4-68
 OMG = Frequency of operation, radians/sec

$$\lambda_{TI}(NU)$$
 PA = Amplitude of sinusoidal pressure swing, MPa

- PAVG = Time averaged mean pressure, MPa
 PC = Calculated pressure for given PAVG at given angle PHI, MPa
 PHI = Crank angle, degrees
 PM = Mean pressure for cycle (see Equation 4-69), MPa
 PMAX = Maximum engine pressure, MPa
 PMIN = Minimum cycle pressure, MPa
 PR = Prandtl number
 = $\frac{CP(MU)}{KG}$
 QC = Conduction heat transfer, watts
 QGC = Heat from gas cooler, watts
 QGH = Heat to gas heater, watts
 QITS = Internal temperature swing loss, watts
 QN = Net heat input, watts
 QR = Heat transport by radiation, watts
 QRH = Reheat loss, watts
 QS = Static heat conduction loss, watts
 QTS = Temperature swing loss, watts
 R = Universal gas constant
 = 8.314 J/g mol K
 RC = Crank radius, cm (See Figure 4-15.)
 RCD = Crank radius for displacer, cm
 RCP = Crank radius for power piston, cm
 RE = Reynolds number
 = $4(RH)G/MU$
 RH = Hydraulic radius, cm
 = $AC(L)/(AHT)$
 RHOM = Mean gas density, g/cm³
 RHO1 = Gas density at entrance, g/cm³
 RHO2 = Gas density at exit, g/cm³
 RM = Gas constant in mass units, j/g K
 ROM = Density of regenerator matrix material, g/cm³
 RO1 = Density of piston or displacer wall, g/cm³
 RO2 = Density of cylinder wall, g/cm³
 R1 = Thermal resistance of hot third of regenerator cylinder, K/watt
 (see Equation 4-114)
 R2 = Thermal resistance of middle third of regenerator cylinder, K/watt
 (see Equation 4-115)
 R3 = Thermal resistance of cold third of regenerator cylinder, K/watt
 (see Equation 4-116)

$$S = \frac{TC}{VHL} \left(\frac{VHD}{TH} + \frac{VRD}{TR} + \frac{VCD}{TC} \right)$$
 = Reduced dead volume
 SC = Stroke of compression, cold piston, cm
 SCL = Stroke clearance, cm
 SD = Stroke of displacer, cm
 SE = Stroke of expansion, hot piston, cm

$$SGM = \frac{(KG)(SD)}{(GR)(OMG)} \left(\frac{1}{(RHO1)(CP1)(WT1)} + \frac{1}{(RHO2)(CP2)(WT2)} \right)$$

 SIG = Stefan-Boltzman constant
 = $5.67 \times 10^{-12} \text{ w}/(\text{cm}^2 \cdot \text{K}^4)$

SP = Stroke of power piston, cm
 TA = Temperature at level A, K
 TB = Temperature at level B, K
 TAU = $1C/TH$
 TC = Effective temperature in cold, compression space, K
 TCM = Heat sink metal temperature, K
 TCS = Temperature of cold space, K
 TCW1 = Temperature of cooling water into engine, K
 TD1 = Thermal diffusivity of piston or displacer wall, cm^2/sec
 = $K1/((RHO1)(CP1))$
 TD2 = Thermal diffusivity of cylinder wall, cm^2/sec
 = $K2/((RHO2)(CP2))$
 TH = Effective temperature in hot, expansion, space, K
 TRET = $\tan^{-1}(KAP\sin(ALPH)/(TAU + KAP\cos(ALPH)))$, degrees
 THF = Thickness of foil separating gaps in slot regenerator, cm
 THM = Heat source metal temperature, K
 THS = Temperature of hot space, K
 THT = Phase angle between pressure and mass flow at hot end of regenerator, degrees
 THW = Thickness of wire in screens of regenerator, cm
 THØ = Effective entering gas temperature to gas heater, K
 TR = Effective regenerator temperature, K
 = $(THM - TCM)/\ln(THM/TCM)$
 T1 = Gas temperature at inlet, hot end, of regenerator, K
 T2 = Gas temperature at outlet, cold end of regenerator, K
 VC = VCLX + VCD
 VCD = Cold dead volume, cm^3
 VCDX = Extra cold dead volume besides that in gas cooler, cm^3
 VCL = Maximum cold live volume, cm^3
 VCLX = Cold live volume at a particular angle PHI, cm^3
 VCL1 = Cold live volume at beginning of increment, cm^3
 VCL2 = Cold live volume at end of increment, cm^3
 VD = Total dead volume, cm^3
 = VHD + VRD + VCD
 VH = VHLX + VHD
 VHD = Hot dead volume, cm^3
 VHDX = Extra hot dead volume besides that in gas heater, cm^3
 VHIL = Maximum hot live volume, cm^3
 VHILX = Hot live volume at a particular angle PHI, cm^3
 VHIL1 = Hot live volume at beginning of increment, cm^3
 VHIL2 = Hot live volume at end of increment, cm^3
 VPL = Power piston live volume, cm^3
 VRD = Regenerator dead volume, cm^3
 VT = Total gas volume at angle PHI
 = VH + VC + VRD
 VTL = VHIL + VCL
 W = Mass rate of flow, g/sec
 WCS = Effective flow rate of gas into cold space, g/sec
 WHS = Effective flow rate of gas into hot space, g/sec
 WP = Total windage power, watts
 WPC = Gas cooler windage power, watts
 WPH = Gas heater windage power, watts
 WPR = Regenerator windage power, watts

WRS = Effective flow rate of gas through regenerator, g/sec
 W11 = Wall thickness of displacer or hot cap wall, cm
 W12 = Wall thickness of cylinder wall, cm

$$X = \sqrt{(\text{TAU} - 1)^2 + 2(\text{TAU} - 1)(K) \cos(\text{ALPH}) + K^2}$$

XK = Coefficient in heat transfer correlation, $H = XK(W)NX$

$$Y = \text{TAU} + 4 \left(\frac{VD}{VHL} \right) \frac{\text{TAU}}{1 + \text{TAU}} + 0$$

YK = Factor in Equation 4-106 defined by Equations 4-107, 4-108, or 4-109

$$Z = 4 \left(\frac{VD}{VHL} \right) \left(\frac{\text{TAU}}{1 + \text{TAU}} \right) + 1 + \text{TAU} + K$$

ZK = Factor in Equation 4-106 defined in Table 4-10

Z1 = Compressibility factor

= 1 except for temperatures less than 70 K

4.3.2 Basic Power Output

Basic power output is the Schmidt equation or a numerical equivalent of the Schmidt equation which is discussed in Section 4.2. The basic assumptions for the Schmidt equation are as follows:

1. Temperature in each gas space is known and stays constant.
2. Variable volumes change sinusoidally with a fixed phase angle between the hot and cold variable volumes.
3. There is no pressure difference between the gas spaces.
4. Ideal gas law applies.
5. There is no leakage into or out of the working gas space.

Assumption 5 is not trivial because a small leak can make a big difference in Stirling engine performance. Assumption 4 is good for heat engines. Below 70 K a compressibility factor needs to be used. Assumption 3 is not serious for engine designs that would normally be used. Assumption 2 is exactly true for some engines like the Rinia type swashplate but it is quite far off for the Rhombic drive machine with its short connecting rods. It is important to know the phase angle between the live cold volume and the live hot volume. Assumption 1 is not true. The gas temperatures in the hot and cold variable volume spaces in the usual type of Stirling engine vary over a wide range during each cycle (see Section 4.1.5). However, for the dead volume fractions normally encountered in Stirling engines, calculations based on assumption 1 give the right power output (see Figure 4-6). This basic power is determined by the formulas given below for the different types of Stirling engines.

Basic power formulas are now given in the uniform capital letter nomenclature for the following different cases:

1. Schmidt equation - sinusoidal, isothermal
 - 1.1 alpha engine form
 - 1.2 beta engine form
 - 1.3 gamma engine form
2. Sinusoidal, non-isothermal

3. Non-Sinusoidal, isothermal
 - 3.1 rhombic drive
 - 3.2 double crank
4. Non-sinusoidal, adiabatic variable volume spaces
 - 4.1 rhombic drive

4.3.2.1 Schmidt Equations-Sinusoidal-Isothermal

4.3.2.1.1 Alpha, Dual Piston Form of Schmidt Equation

Equation 4-49 below is an adaption of Equation 4-45 to give basic power instead of work per cycle. It was selected because the average pressure normally specified can be used to compute the gas inventory by assuming that the displacer and the power piston are both at the mid-point of their stroke. That is:

$$M = \frac{PAVG}{R} \left(\frac{VHD}{TH} + \frac{VHL}{2TH} + \frac{VRD}{TR} + \frac{VCD}{TC} + \frac{VCL}{2TC} \right) \quad (4-48)$$

Thus the basic power is:

$$BP = \frac{NU(2\pi)(KAP)(1 - \tau)(\sin(\alpha))M(R)TC}{(\tau + KAP + 2S)^2 \sqrt{1 - (\delta)^2} (1 + \sqrt{1 - (\delta)^2})} \quad (4-49)$$

Alternately the basic power can be determined by first noting that the maximum pressure is related to the mean pressure by the formula (73 j):

$$P_{MAX} = \frac{PAVG}{\sqrt{(1 - \delta)/(1 + \delta)}} \quad (4-50)$$

Also it is instructive to know that (73 j):

$$\frac{P_{MAX}}{P_{MIN}} = \frac{1 + \delta}{1 - \delta} \quad (4-51)$$

Thus Equation 4-42 is transformed to:

$$BP = \frac{NU(PAVG)(VTL)(1 - \tau)(\delta)\sin(\theta)}{(KAP + 1)(1 + \sqrt{1 - (\delta)^2})} \quad (4-52)$$

4.3.2.1.2 Beta Engine Form, Schmidt Equation

For engines in which the displacer and the power piston are in the same cylinder and have the same diameter the stroke of the displacer and the power piston overlap and the displacer and power piston come very close at one point in the cycle. The basic power for this type of machine is given by the following equation:

$$BP = \frac{NU(\pi)(1 - \tau)(P_{MAX})(VHL)K\sin(\alpha)}{Y + (Y^2 - X^2)^{1/2}} \left[\frac{Y - X}{Y + X} \right]^2 \quad (4-53)$$

There is a problem here in that Equation 4-53 calls for P_{MAX} but P_{AVG} is usually specified. Use Equation 4-50 to obtain P_{MAX} from P_{AVG}. Also, in Equation 4-53, the dead volume is taken to have a temperature that is the arithmetic mean of the hot and cold volume temperatures instead of the more correct log mean temperature.

4.3.2.1.3 Gamma Engine Form - Schmidt Equation

Note that Equation 4-54 has the same qualifications as Equation 4-53. Thus:

$$BP = \frac{(NU)(\pi)(1 - \tau)(P_{MAX})(V_{HL})(K)\sin(\alpha)}{Z + (Z^2 - X^2)^{1/2}} \left[\frac{Z - X}{Z + X} \right]^{1/2} \quad (4-54)$$

4.3.2.2 Basic Power Assuming Sinusoidal, Non-Isothermal Processes

Most Stirling engines have open hot and cold variable volume spaces. These spaces have so much volume for the surrounding wall area that they act like adiabatic spaces. E. B. Qvale (68 m, 67 n) takes pressure, temperature and mass as independent variables. First the basic performance is calculated; second, the required displacements are found; and finally, the basic performance is corrected for frictional flow losses and finite heat transfer rates. His basic performance is based on adiabatic variable volume spaces, no frictional flow losses and no temperature difference for heat transfer in the heat exchangers and in the regenerator, but with dead volume within the heat transfer components. Because of the way Qvale has chosen the independent variables, the analysis is directly applicable to engine synthesis rather than the prediction of the performance of a given engine.

The author has diligently studied the above references but he has not been able to follow it through well enough to use these references or explain them to others. Qvale claims close agreement with experimental measurements on the Allison PD-67A Stirling engine (see Section 4.1). Qvale assumes sinusoidal variations in mass.

4.3.2.3 Non-Sinusoidal, Isothermal

Practical Stirling engines quite often have short cranks that lead to piston motions quite far from sinusoidal. Also, the rhombic drive used in many Stirling engines is even more complicated because the cranks are eccentric and top dead center is not 180° from bottom dead center. Means for calculating the basic power for two important types of Stirling engines will be given in this section:

1. Rhombic Drive - Beta Engine (Philips)
2. Crank Drive - Alpha Engine (United Stirling)

4.3.2.3.1 Rhombic-Beta (Philips Engine)

The rhombic drive is commonly used on Philips Stirling engines. Any other scheme that uses short connecting rods would also deviate significantly from simple harmonic motion. Figure 4-15 shows the position of the rhombus when the cold live volume is at zero and at a maximum. Zero crank angle PHI is when the cranks are inward. The rhombus is fully extended vertically and the power piston and displacer are closest together. From Figure 4-15:

$$A = \sqrt{(LCR)^2 - (ECC - RC)^2} \quad (4-55)$$

$$B = \sqrt{(LCR)^2 - (ECC + RC)^2} \quad (4-56)$$

Therefore:

$$VCL = 2(A - B) \frac{\pi}{4} ((DCY)^2 - (DDR)^2) \quad (4-57)$$

In general for any angle PHI:

$$VCLX = \frac{\pi}{2} ((DCY)^2 - (DDR)^2) \left\{ \left[(LCR)^2 - (ECC - RC)^2 \right]^{1/2} - \left[(LCR)^2 - (ECC - RC \cos (PHI))^2 \right]^{1/2} \right\} \quad (4-58)$$

Figure 4-16 shows the position of the displacer and cylinder wall and cranks at zero and at maximum hot volume. From Figure 4-16:

$$D1 = \sqrt{(LCR + RC)^2 - (ECC)^2} \quad (4-59)$$

$$C = \sqrt{(LCR - RC)^2 - (ECC)^2} \quad (4-60)$$

Therefore:

$$VHL = (D1 - C) \frac{\pi}{4} (DCY)^2 \quad (4-61)$$

In general:

$$E = RC \sin (PHI) \quad (4-62)$$

$$F1 = \sqrt{(LCR)^2 - (ECC - RC \cos (PHI))^2} \quad (4-63)$$

$$VHLX = \frac{\pi}{4} (DCY)^2 (F1 + E - C) \quad (4-64)$$

These more complicated relationships for the hot and cold volumes make an analytic solution impossible. Fortunately, a numerical solution is not very difficult. From the desired operating conditions for the engines set TH, TC and TR which is usually the log mean of TH and TC. Also set PAVG as the time average pressure for the cycle. From the dimensions of the engine evaluate and simplify the above equations for VHLX and VCLX. If this calculation is to be performed by hand; evaluate VHLX and VCLX for PHI = 0, 30, 60, ..., 330, 360°. Then compute VT and P by the following equations:

$$VH = VHLX + VHD \quad (4-65)$$

$$VC = VCLX + VCD \quad (4-66)$$

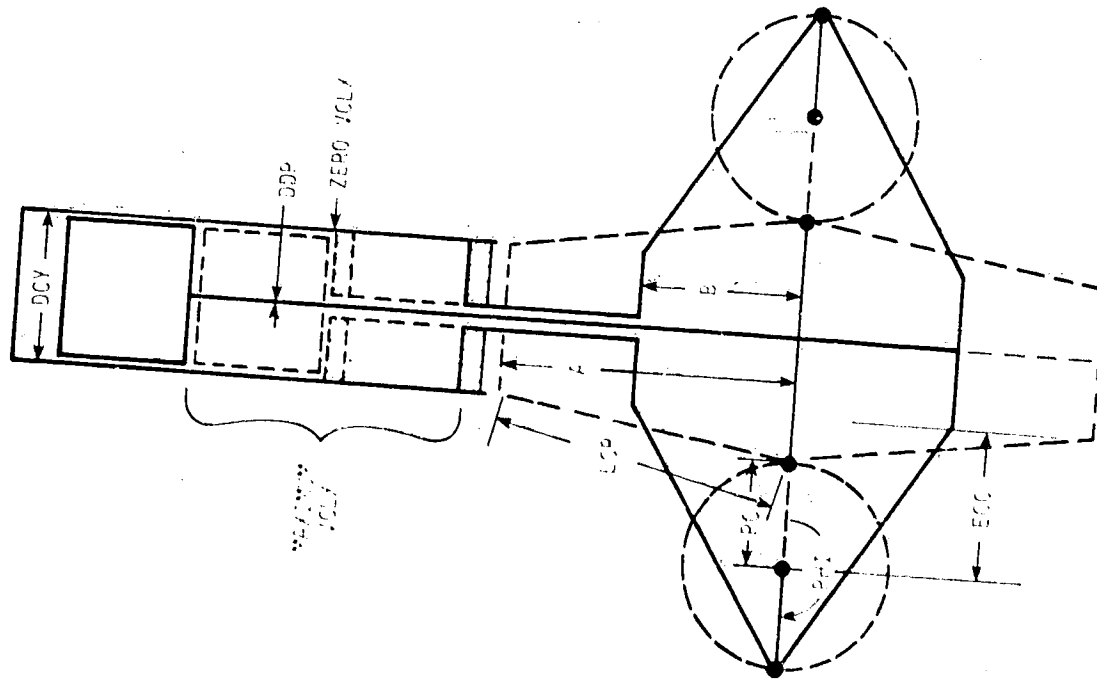


Figure 4-15. Generalized Rhombic Drive at Zero and at Maximum VCLX.

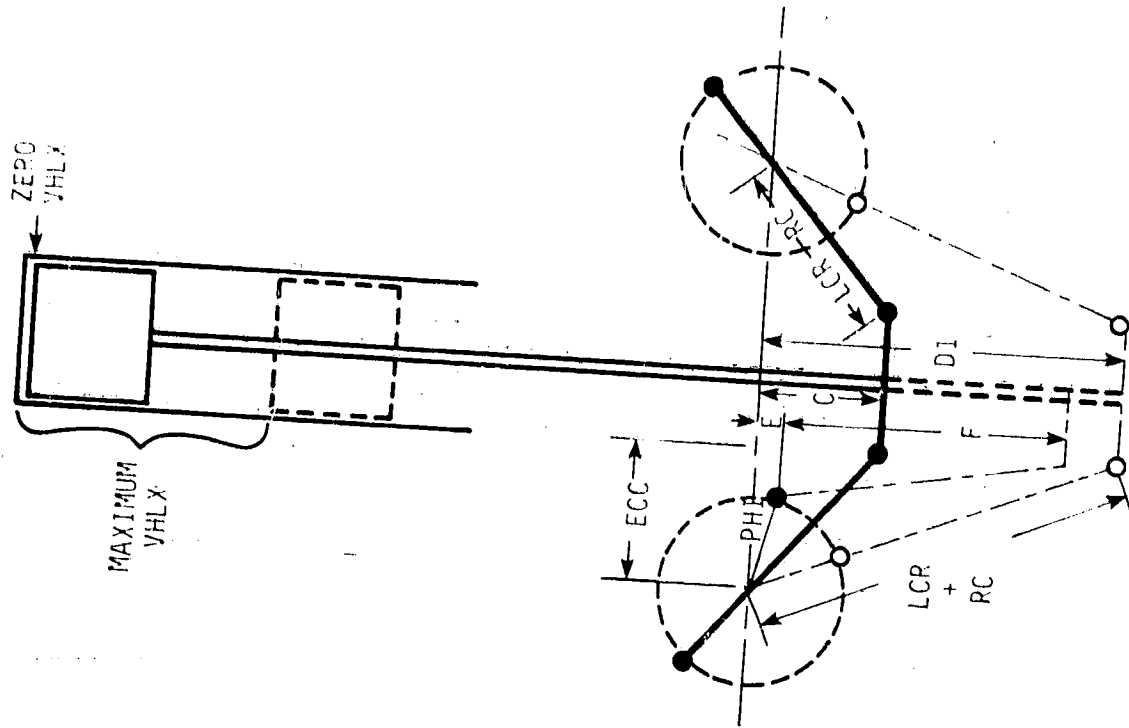


Figure 4-16. Generalized Rhombic Drive at Zero and a Maximum VHLX.

$$V_I = V_H + V_C + V_{RD} \quad (4-67)$$

$$P = \frac{1}{V_H} \frac{M(R)}{T_H} + \frac{M(R)}{V_{RD}} \frac{1}{T_R} + \frac{V_C}{T_C} \quad (4-68)$$

Calculate the mean pressure by:

$$P_M = \left(\frac{\sum_{\text{PHI}=30}^{\text{PHI}=260} P}{\text{PHI}-30} \right) \cdot 12 \quad (4-69)$$

The desired $M(R)$ to meet the specified PAVG is given by:

$$M(R) = \frac{PAVG}{P_M} \quad (4-70)$$

The pressures in the engine, P_C , at each PHI to cause the specified PAVG to be correct are determined by:

$$P_C = P \left(\frac{PAVG}{P_M} \right) \quad (4-71)$$

V_I is plotted against P_C . This work curve is integrated numerically to obtain the work output. 4.5% should be added to the calculated volume to make up for the error involved in using only 12 points for integration (see Section 4.2).

During the calculation of the basic power, it is also important to calculate the mass distribution of gas between the hot spaces, regenerator and cold spaces assuming a constant pressure during each instant of the cycle. From the perfect gas equation:

$$1 = \frac{P(V_H)}{M(R)T_H} + \frac{P(V_{RD})}{M(R)T_R} + \frac{P(V_C)}{M(R)T_C} \quad (4-71.1)$$

in in in
hot regenerator cold
space space space

$$1 = F_H + F_R + F_C \quad (4-71.2)$$

The first and third of these fractions are evaluated and are used to compute the mass flow through the regenerator, heater and cooler.

4.3.2.3.2 Crank Drive-Alpha Engine

The current United Stirling engine (see Section 3.2) uses 4 double-acting pistons in a Rinja arrangement with cranks using short connecting rods operating each piston. The analysis below will be for one quarter of the total engine. Figure 4-17 shows what is being analyzed. For any angle PHI the height of the piston above bottom dead center is:

$$A_I = \sqrt{(LCR)^2 - ((RC) \sin (PHI))^2} - (RC) \cos (PHI) \quad (4-17)$$

- LCR + RC

Therefore the hot live volume is:

$$VHLX = \frac{\pi}{4} (DCY)^2 (2(RC) - X1) \quad (4-73)$$

and the cold live volume is:

$$VCLX = \frac{\pi}{4} ((DCY)^2 - (DDR)^2) (X2) \quad (4-74)$$

where:

$$X2 = \sqrt{(LCR)^2 - ((RC) \sin(\text{PHI} + \text{ALPH}))^2} - RC \cos(\text{PHI} + \text{ALPH}) - LCR + RC \quad (4-75)$$

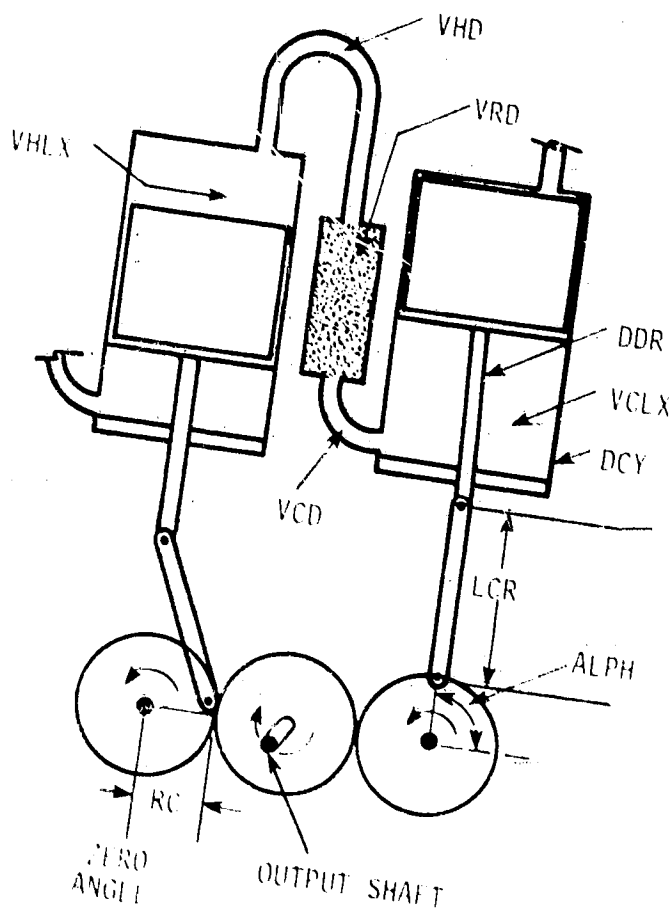


Figure 4-17. One Element of Rinia Arrangement Stirling Engine, Crank Driven.

Next, Equations 4-65 to 4-71 are employed to calculate the work diagram in the same way as was done for the rhombic drive. A numerical integration of the work diagram gives the work per cycle. A 12 point per cycle integration is 4.5% low. To get the power for one power unit of the four in the engine, one must multiply this integral by the engine frequency in cycles per second to obtain the basic power in watts.

Here also the mass fractions in the hot, regenerator and cold spaces are computed by Equation 4-71.1. Note that these fractions depend upon the geometry and the temperatures but do not change with pressure.

4.3.2.4 Non-Sinusoidal, Non-Isothermal

After Qvale's work for Professor J. L. Smith at M.I.T. mentioned in Section 4.3.2.2, Rios (69 am, 69 o) expanded the work using the same general assumptions. However, he is able to start with a specific engine with a crank-connecting rod drive mechanism. He was able to solve the differential equations and integrate numerically to an overall steady state. He built his own cooling engine and was able to closely predict its performance. The author has studied this work at some length and he has a listing of the associated computer program but has not yet put it into operation.

An extension of the computational method described in Section 4.1.5 will now be presented as it applies to a rhombic drive beta type engine. This calculation procedure is not practical to compute by hand, but it can be done in a few minutes with programmable hand-held calculators.

The computational procedures given in Section 4.3.2.3.1 are followed up to Equation 4-64. Then the pressure for $M(R) = 1$ at any angle PHI during the cycle is given by:

$$P = \frac{1}{\frac{\text{VHLX}}{\text{THS}} + \frac{\text{VHD}}{\text{TH}} + \frac{\text{VRD}}{\text{TR}} + \frac{\text{VCD}}{\text{TC}} + \frac{\text{VCLX}}{\text{TCS}}} \quad (4-76)$$

where THS and TCS are the hot space and cold space temperatures. Start at $\text{PHI} = 0$ with $\text{THS1} = \text{TH}$ and $\text{TCS1} = \text{TC}$. Compute P by Equation 4-76 and call it P1. Let VHLX, and VCLX at $\text{PHI} = 0$ by VHL1 and VCL1. At, say, $\text{PHI} = 30^\circ$ compute VHL2 and VCL2 using Equations 4-64 and 4-58, respectively. In other words, for the first calculation:

$$P1 = \frac{1}{\frac{\text{VHL1}}{\text{TH}} + \frac{\text{VHD}}{\text{TH}} + \frac{\text{VRD}}{\text{TR}} + \frac{\text{VCD}}{\text{TC}} + \frac{\text{VCL1}}{\text{TC}}} \quad (4-77)$$

For the second calculation:

$$P2 = \frac{1}{\frac{\text{VHL2}}{\text{THS2}} + K1 + \frac{\text{VCL2}}{\text{TCS2}}} \quad (4-78)$$

Where:

$$K1 = \frac{\text{VHD}}{\text{TH}} + \frac{\text{VRD}}{\text{TR}} + \frac{\text{VCD}}{\text{TC}} \quad (4-79)$$

which is always constant. Also for the adiabatic spaces:

$\frac{THS2}{TH} = \left(\frac{P2}{P1}\right)^E$ also $\frac{TCS2}{TC} = \left(\frac{P2}{P1}\right)^E$
 Where $E = \frac{k-1}{1}$ and $k = C_p/C_v = 1.40$ for hydrogen so $E = 0.286$.

(4-80)

Substituting Equations 4-80 into 4-78:

$$P2 = \frac{1 - \frac{VHL2}{TH \left(\frac{P2}{P1}\right)^E + K1 + \frac{VCL2}{TC \left(\frac{P2}{P1}\right)^E}}{1}$$

(4-81)

The only unknown in Equation 4-81 is P2. A solution is made by the secant method of approximation or some other successive approximation method like Newton's method. P2, THS2 and TCS2 are calculated. The third pressure in the series is calculated by:

$$P3 = \frac{1}{XH + K1 + XC}$$

(4-82)

where if $VHL3 > VHL2$:

$$XH = \frac{VHL2}{THS2 \left(\frac{P3}{P2}\right)^E} + \frac{VHL3 - VHL2}{TH \left(\frac{P3}{P2}\right)^E}$$

or if $VHL3 < VHL2$:

$$XH = \frac{VHL3}{THS2 \left(\frac{P3}{P2}\right)^E}$$

In the same way, if $VCL3 > VCL2$:

$$XC = \frac{VCL2}{TCS2 \left(\frac{P3}{P2}\right)^E} + \frac{VCL3 - VCL2}{TC \left(\frac{P3}{P2}\right)^E}$$

or if $VCL3 < VCL2$:

$$XC = \frac{VCL3}{TCS2 \left(\frac{P3}{P2}\right)^E}$$

Now in Equation 4-82, P3 is the only unknown and it is solved as before. Then the mixed mean gas temperatures are found by:

$$THS3 = \frac{VHL3}{XH} \quad \text{and} \quad TCS3 = \frac{VCL3}{XC}$$

(4-83)

where XH and XC are calculated by whichever equation above applies.

From increment to increment in PHI as the calculation progresses this method takes into account that when gas is leaving a variable volume space the temperature in that space simply obeys the adiabatic compression and expansion law. On the other hand if gas is entering the variable volume space the old gas

temperature changes according to the adiabatic law from the previous gas temperature. The new gas temperature changes according to the same law but from the entering gas temperature. Then there is a mixing at the end of each increment to get the mixed mean temperature for the next increment.

This computational process is continued for two or more cycles until the pressures and temperatures start to repeat with adequate accuracy. This computational procedure is stable at any angle increment. Smaller angle increments give more accurate results. For a particular case the effect of smaller angle increments should be evaluated to determine at what point adequate accuracy is obtained.

4.3.3 Fluid Friction Loss — —

The basic power is computed as if there is no fluid friction. Energy loss due to fluid friction is deducted from the basic power as a small perturbation on the main engine process. If fluid friction consumes a large fraction of the basic power the following methods will not be accurate but then one would not choose a design to be built unless the fluid friction were less than 10% of the basic power.

Fluid friction inside the engine can be computed by published correlations for fluid flow through porous media and in tubes. These flow friction correlations are applicable for steady, fully-developed flow. If the fraction of the gas-inventory found in the hot spaces and in the cold spaces is plotted against crank angle, it is apparent that to a good approximation this periodic flow can be approximated by (1) steady flow, in one direction, (2) no flow for a period of time (3) then steady flow back in the other direction, and (4) then no flow to complete the cycle. (See Figure 7-1.) The mass flow into and out of the regenerator is not quite in phase due to accumulation and depletion of mass in the regenerator. Note that the mass flow at the cold end is much more than the mass flow at the hot end mostly due to gas density change. The average mass flow rate and the average fraction of the total cycle time that gas is flowing in one direction at the hot end of the regenerator is used for the heater flow friction and heat transfer calculations. The average mass flow rate and the average fraction of the total cycle time flowing in one direction at the cold end of the regenerator is used for the cooler flow friction and heat transfer calculations. For the regenerator the mean of the above two flows and of the above two fractions will be used.

The above decisions are approximations. In the future the author hopes to determine how good these approximations are by comparing them with more laborious but more exact calculations.

4.3.3.1 Regenerator Pressure Drop

4.3.3.1.1 Screens

Kays and London (64 1, p. 33) give the formula for pressure drop through a matrix as would be used for a regenerator:

$$\text{DELP} = \frac{(G)^2}{2(GC)(\text{RH01})} \left[\underbrace{\left(1 + \left(\frac{AC}{AF} \right)^2 \right) \left(\frac{\text{RH01}}{\text{RH02}} - 1 \right)}_{\text{Flow Acceleration}} + \underbrace{\frac{F(L)\text{RH01}}{(\text{RH})\text{RHOM}}}_{\text{Core Friction}} \right] \quad (4-84)$$

The flow acceleration term can be ignored in computing windage loss for the full cycle because the flow acceleration for flow into the hot space very nearly cancels the flow acceleration for flow out of the hot space. With this simplifying assumption, the pressure drop due to regenerator friction is:

$$\text{DELP} = \frac{F(G)^2 L}{2(GC1)(\text{RH})(\text{RHOM})} \quad (4-85)$$

In the above equation the friction factor F is a function of the Reynolds number, $RE = 4(\text{RH})G/\mu$. Figure 4-18 shows the correlation for stacked screens usually used in Stirling engines. Note that the relationship is dependent somewhat on the porosity. Since this calculation is already an approximation it is recommended that a simpler relationship be used more adapted to use in simple computer programs. For $RE < 60$ let:

$$\log F = 1.73 - 0.93 \log(RE) \quad (4-86)$$

For $60 < RE < 1000$:

$$\log F = 0.714 - 0.365 \log(RE) \quad (4-87)$$

For $RE > 1000$:

$$\log F = 0.015 - 0.125 \log(RE) \quad (4-88)$$

This relationship is shown by a dashed line in Figure 4-18.

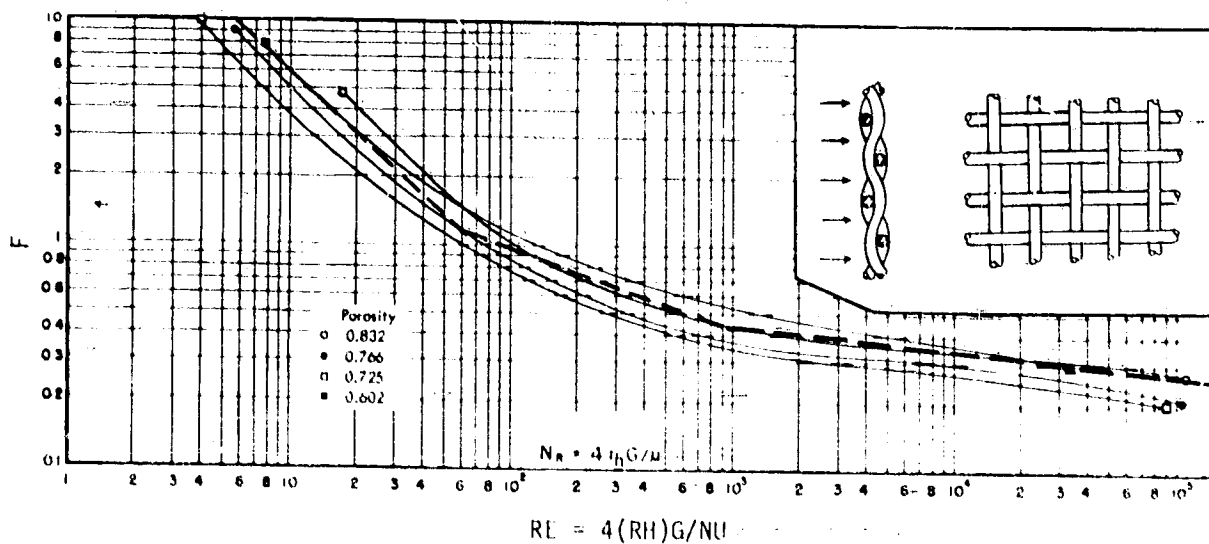


Figure 4-18. Flow Through an Infinite Randomly Stacked Woven-Screen Matrix, Flow Friction Characteristics; a Correlation of Experimental Data from Wire Screens and Crossed Rods Simulating Wire Screens. Perfect Stacking, i.e., Screens Touching, is Assumed. (64 1, p. 130)

Finally, the viscosity of the gas must be evaluated. For hydrogen:

$$\begin{aligned} \mu &= 88.73 \times 10^{-6} + 0.200 \times 10^{-6}(\text{TR} - 293) & (4-89) \\ &+ 0.118 \times 10^{-6}(\text{PAVG}) \end{aligned}$$

For helium:

$$\begin{aligned} \mu &= 196.14 \times 10^{-6} + 0.464 \times 10^{-6}(\text{TR} - 293) & (4-90) \\ &- 0.093 \times 10^{-6}(\text{PAVG}) \end{aligned}$$

For air:

$$\begin{aligned} \mu &= 181.94 \times 10^{-6} + 0.536 \times 10^{-6}(\text{TR} - 293) & (4-91) \\ &+ 1.22 \times 10^{-6}(\text{PAVG}) \end{aligned}$$

This data is from American Institute of Physics Handbook, 2nd Edition, pp. 2-227. Table 4-7 tabulates the data also.

Table 4-7
Viscosity of Working Gases
g mass/cm sec at
PAVG = 10 MPa

TR K	Hydrogen MU	Helium MU	Air MU
300	9.131×10^{-5}	1.984×10^{-4}	1.979×10^{-4}
400	1.113×10^{-4}	2.498×10^{-4}	2.515×10^{-4}
500	1.313×10^{-4}	2.913×10^{-4}	3.051×10^{-4}
600	1.513×10^{-4}	3.377×10^{-4}	3.587×10^{-4}
700	1.713×10^{-4}	3.840×10^{-4}	4.123×10^{-4}
800	1.913×10^{-4}	4.304×10^{-4}	4.659×10^{-4}
1000	2.313×10^{-4}	5.232×10^{-4}	5.731×10^{-4}
1200	2.713×10^{-4}	6.160×10^{-4}	6.803×10^{-4}
1500	3.313×10^{-4}	7.552×10^{-4}	8.411×10^{-4}
2000	4.313×10^{-4}	9.872×10^{-4}	1.109×10^{-3}
2500	5.313×10^{-4}	1.219×10^{-3}	1.377×10^{-3}
3000	6.313×10^{-4}	1.451×10^{-3}	1.645×10^{-3}

4.3.3.1.2 Slots

Besides screens, the other type of surface sometimes used is the annular gap or the slot. This type of surface is practical at flow velocities always in the laminar region, $RE < 2000$. For this case (64 l, p. 103):

$$F = 24/RE$$

(4-92)

4.3.3.2 Heater and Cooler Pressure Drop - Tubular

Heater and cooler pressure drops are usually small in comparison with the regenerator. Heaters and coolers are usually small diameter round tubes although an annular gap is practical for small engines (see Section 4.3.3.1.2). Pressure drop through these heaters and coolers are determined by Equation 4-85 with F determined from the fanning friction factor plot (see Figure 4-19) and $RHOM$ being evaluated at heat source or heat sink temperature and at $PAVG$. The length-to-diameter ratio is usually very large so for simple programs let:

For $RE \leq 2000$:

$$F = 16/RE$$

(4-93)

For $RE > 2000$:

$$\log F = -1.34 - 0.20 \log(RE)$$

(4-94)

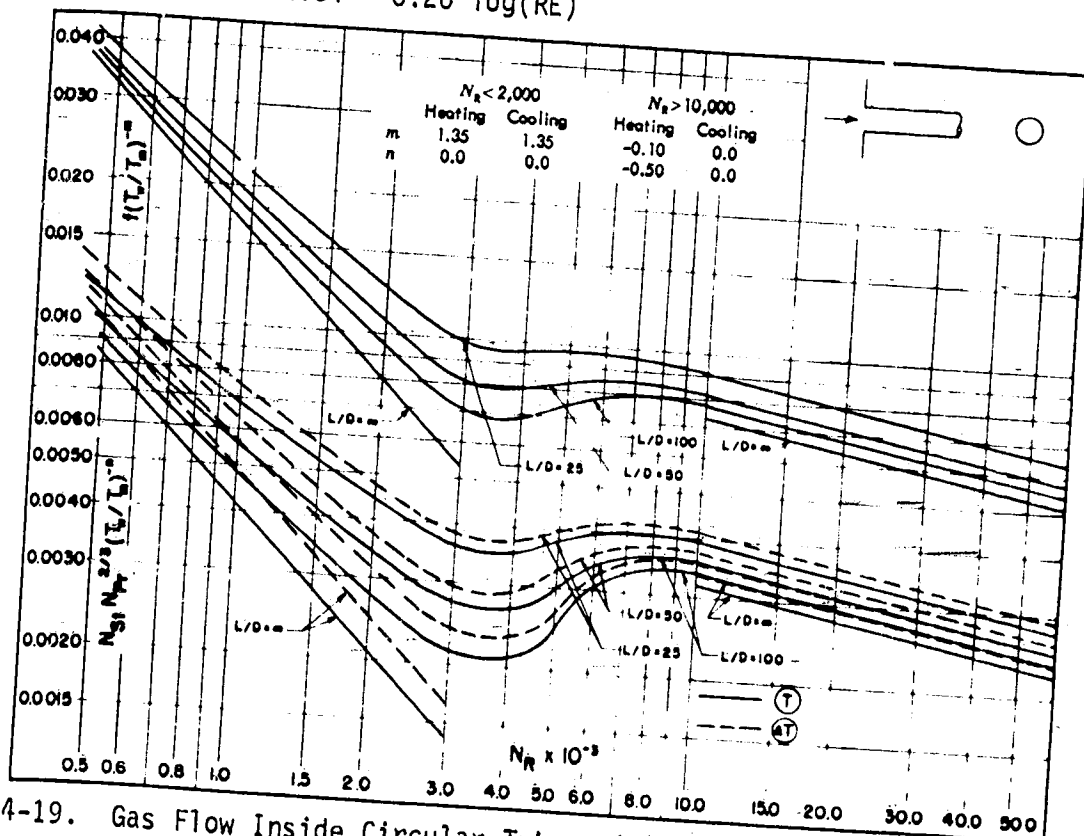


Figure 4-19. Gas Flow Inside Circular Tubes with Abrupt Contraction Entrances; a Summary of Experimental and Analytical Data. (64 l, p. 123)

4.3.3.3 Heater and Cooler Pressure Drop - Interleaving Fins (see Ref. 77 h)

One of the advantages of this type of heat exchanger is that the gas flows into it rather than through it. Also, it is rather complicated because the flow passage area changes with the stroke. Experimental data are needed. But before these can be obtained, an approximate theory is presented in the interim. One of the best types of interleaving fins is the nesting cone because the cone like the tube can have a thin wall and heat can be added and removed directly from the outside of the cone. Assume that the effective average flow rate takes place in the gap between the cone and its mate at mid-stroke at the point where the volume of the gap beyond this point is equal to the volume of the gap up to this point. Also assume that the friction factor is the same as for slots.

4.3.3.4 Heater, Cooler and Regenerator Windage Loss

Since the gas flows through these parts twice per cycle, the windage loss in the heater, regenerator or cooler is determined, approximately from the computed pressure drop by the approximate formula:

$$WP = (DEL P)(VHL)^2(NU) \text{ watts} \quad (4-95)$$

4.3.4 Mechanical Friction Loss

Mechanical friction due to the seals and the bearings is hard to compute reliably. It essentially must be measured. However, if the engine itself were used, the losses due to mechanical friction would be combined with power required or delivered by the engine. If indicated and brake power are determined then mechanical friction loss is the difference, that is, $W_B - W_I$ using the nomenclature from Figure 4-12. The friction loss should be measured directly by having the engine operate at the design average pressure with a very large dead volume so that very little engine action is possible. The engine need not be heated but the seals and bearing need to be at design temperature.

4.3.5 Basic Heat Input

The basic heat input of an engine using the second order approximations is the basic power output divided by the Carnot efficiency for the assumed gas temperatures for the heater and cooler spaces. Therefore:

$$BHI = BP / (1 - \frac{T_C}{T_H}) \quad (4-96)$$

This basic heat input must be transferred through the gas heater of the engine. Also the heat needed to supply the reheat loss must also be transmitted through this heater. Therefore, after the computational process is gone through once there must be an adjustment downward in the effective hot gas temperature and upward in the effective cold gas temperature to allow for some effective temperature drop in the gas heater and gas cooler. These new temperatures for the hot space and cold space would change many of the calculations performed the first time around. Particularly it would change the basic heat input because of their direct effect on the Carnot efficiency. It has been found that this procedure is rapidly convergent.

4.3.6 Reheat Loss

One way that extra heat is required at the heat source is due to the inefficiency of the regenerator. The regenerator reheats the gas as it returns to the hot space. The reheat not supplied by the regenerator must be supplied by the heater as extra heat input. Figure 4-20 shows how the gas temperatures vary in the heater, regenerator, and cooler during flow out of the hot space as well as flow into it. Note that at inflow, the gas attains cooler temperature, then is heated up in the regenerator part way. The temperature difference, A, between the heat source temperature and the gas entering from the regenerator is then multiplied by the heat capacity, the effective flow rate, and the fraction of time that this gas is flowing, to obtain the reheat loss. The methods derived from the literature and from the author's own practice are given below. The formula for reheat used by the author is:

$$QRH = \underbrace{FCT}_{\substack{\text{Fraction} \\ \text{Time} \\ \text{Flowing} \\ \text{Into Hot} \\ \text{Space}}} \underbrace{(WRS)}_{\substack{\text{Effective} \\ \text{Flow Rate}}} \underbrace{(CV)}_{\substack{\text{Heat} \\ \text{Capacity}}} \underbrace{(THM - TCM)}_{\substack{\text{Temp} \\ \Delta T}} \underbrace{\left(\frac{2}{NTUV + 2}\right)}_{\substack{\text{Regenerator} \\ \text{Ineffectiveness}}} \quad (4-97)$$

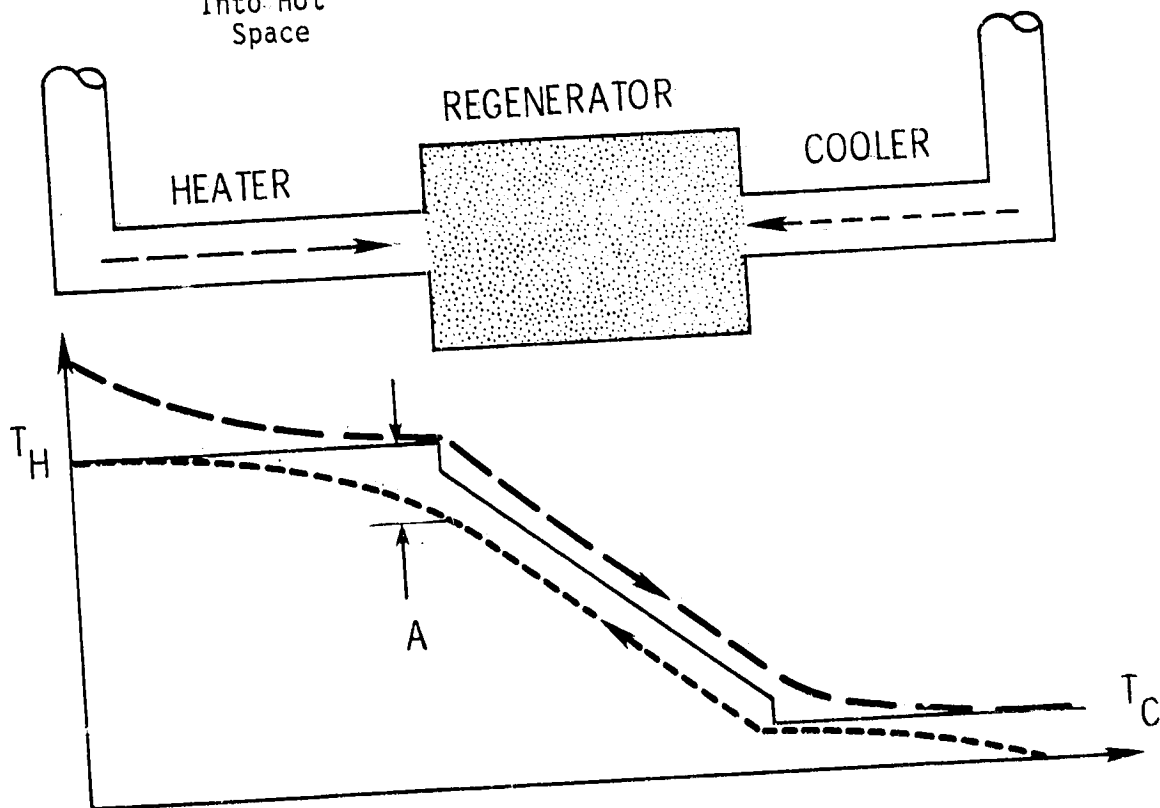


Figure 4-20. Reheat Loss.

Each element in Equation 4-97 is a type of an approximation. The fraction of time flowing into the hot space is estimated by extrapolating the maximum flow into the hot space to the total flow to find the fraction of the total cycle time that this process would occupy, if the flow rate were always at its maximum value. This fraction, FCT, turns out to be about one-third. FCT will be taken as 1/3 if an analytical Schmidt equation is used. If a numerical procedure is used, FCT is computed by Equation 4-102.5. The effective flow rate then is determined by the flow through the regenerator, WRS (see Equation 4-101 or 4-102.6). Neither heat capacity CV or CP is strictly correct. More complicated analyses can take into account more rigorously the effect of pressure change during gas flow through the regenerator (75 aq, 77 b1). The rationale for using CV in Equation 4-97 is that the transfer of gas takes place when the total volume is relatively constant. However only a small amount of the total volume is in the regenerator at any one time. A better equation suggested by LeRC during review is probably:

$$QRH = FCT \left\{ (WRS)(CP)(THM - TCM) - \frac{VRD(CV)(P_{MAX} - P_{MIN})}{(RM)(FCT)/NU} \right\} \left(\frac{2}{NTUP + 2} \right) \quad (4-97.1)$$

This point deserves further study because QRH is quite often the chief loss term.

The temperature difference Δ in Figure 4-20 is represented by the total temperature difference between the hot metal and the cold metal times the regenerator ineffectiveness. This ineffectiveness is one minus the effectiveness of the regenerator material (see Equation 4-7). This formula for ineffectiveness agrees with the simple equations in earlier standard references on regenerators such as Saunders and Smoleniec (51 q).

The idea of separating power output and the heat losses into a number of superimposed processes has been used by a number of investigators of the Vuilleumier cycle. The details of this analysis have been given in a number of government reports. The Vuilleumier cycle is a heat operated refrigeration machine which uses helium gas and regenerators very similar to the way the Stirling engine is constructed. This super position analysis has worked well in VM cycle machines. In an RCA report (69 aa, pp. 3-37) the measured cooling power using this method of analysis was found to be within 8.9% of that calculated. Crouthamel and Shelpuk (75 ac) give the following formula for the reheat loss after it is translated into the nomenclature used in this section.

$$QRH = (1/4) (WRS) (CP) (THM - TCM) \left(\frac{2}{NTUP + 2} \right) \quad (4-98)$$

Equation 4-98 is written in the same order as Equation 4-97 and therefore can be directly compared. The first term, one quarter, is specific for their particular machine and therefore needs to be evaluated for another type of machine. The flow rate is evaluated in the same way, but the heat capacity is different. Probably this can be justified to be CP instead of CV because the VM cycle machine undergoes a relatively small change in pressure during its cycle. Also, the distinction between metal temperatures is also relatively small at this stage of analysis.

Ronald White (76 1) gives an equation for reheat loss which he obtains from B. Leo (71 bf). It is generally of the same form as the above except that the regenerator efficiency is determined by using the heat transfer coefficient for the flow out as well as for the flow in. The Leo equation is:

$$Q_{RH} = (1 - \epsilon T) CP (T_{HM} - T_{CM}) \frac{(P_{MAX} - P_{MIN}) V_{HL} (NU)}{2R (T_{CM}) (Z_1)} \quad (4-98.1)$$

Where:

$$\epsilon T = \frac{(H_1)(H_2)(LR)^2}{(H_1)(H_2)(LR)^2 + H_2(LR)(C_{P1})(G_1)(RH) + H_1(LR)(C_{P0})(G_0)(RH)} \quad (4-98.2)$$

Leo states in recent correspondence that these equations are used for small crank angle increments and then summed. They cannot be used as an overall equation for one full cycle.

In Equations 4-97 and 4-98 the number of transfer units in the regenerator must be evaluated. Now:

$$NTUV = \frac{H(AHT)}{(WRS)(CV)} \quad \text{and} \quad NTUP = \frac{H(AHT)}{(WRS)(CP)} \quad (4-99)$$

This useful dimensionless group is made from a heat transfer coefficient, H, a heat transfer area, AHT, a mass flow rate, WRS, and a heat capacity, CV or CP. Means for evaluating these components will now be given.

Heat capacity is a function of temperature. In the units being used in this manual, heat capacities are given in Table 4-8.

Heat transfer area for screens is determined by the formula:

$$AHT = \left(\frac{\pi}{4}\right)^2 (MSH)(THW)(DR)^2 (NR)(NS) \text{ cm}^2 \quad (4-100)$$

The heat transfer area for a single or multiple annulus or another type of regenerator can be calculated similarly.

In reality the mass flow rates through the regenerator are continuously varying and are quite different at one end of the regenerator than at the other. As explained in Section 4.3.3 a good approximation of the flow rate through the regenerator is two periods of steady flow between two periods of no flow. For design procedures that use a Schmidt equation, it is assumed that the flow time in one direction is one third of the cycle time. The following formula is used to calculate WRS in previous equations.

$$WRS = V_{HL} (3 NU) \rho_{HM} \text{ g/sec} \quad (4-101)$$

where the mean gas density is evaluated by the formula:

$$\rho_{HM} = 0.242 (P_{AVG}) / (TR)$$

For computations using a numerical integration, it is possible to compute the mass distribution at each point in the cycle. Then graphically or numerically the steady mass flows and times can be determined for both ends of the regenerator.

The effective fraction of the total cycle time steady flow passes in one direction through the heater is:

Table 4-8

Temperature K	Heat Capacities for Working Gases, J/g K					
	Hydrogen ¹		Helium ¹		Air ²	
	CP	CV	CP	CV	CP	CV
298.15	14.31	10.18	5.20	3.12	1.0057	0.7188
400	14.50	10.37	5.20	3.12	1.0140	0.7271
500	14.52	10.39	5.20	3.12	1.0295	0.7426
600	14.56	10.43	5.20	3.12	1.0551	0.7682
700	14.62	10.49	5.20	3.12	1.0752	0.7883
800	14.70	10.57	5.20	3.12	1.0978	0.8109
1000	14.99	10.86	5.20	3.12	1.1417	0.8548
1200	15.43	11.30	5.20	3.12	1.179	0.892
1500	16.03	11.90	5.20	3.12	1.230	0.943
2000	17.03	12.90	5.20	3.12	1.338	1.051
2500	17.86	13.73	5.20	3.12	1.688	1.401
3000	18.40	14.27	5.20	3.12	---	---

¹From American Institute of Physics Handbook, Sec. Ed., pp. 4-49.

²From Holman, J. P., "Heat Transfer," Fourth Ed., p. 503, McGraw Hill, 1976.

$$FCTH = (FCT1 + FCT2)/2 \quad (4-102.1)$$

The effective steady mass flow rate for the heater is:

$$WHS = \frac{(FHMAX - FHMIN)M(MW)}{FCTH/NU} \quad (4-102.2)$$

The effective fraction of the total cycle time steady flow passes in one direction through the cooler is:

$$FCTC = (FCT3 + FCT4)/2 \quad (4-102.3)$$

The effective steady mass flow rate for the cooler is:

$$WCS = \frac{(FCMAX - FCMIN)M(MW)}{FCTC/NU} \quad (4-102.4)$$

Thus for the regenerator:

$$FCT = (FCTH + FCTC)/2 \quad (4-102.5)$$

and

$$WRS = (WHS + WCS)/2 \quad (4-102.6)$$

The heat transfer coefficient is derived from Figure 4-21. For instance, for a porosity of $(1 - .286) = 0.717$ the equation is:

$$\log \left(\frac{h}{G(CP)} (PR)^{\frac{2}{3}} \right) = -0.13 - 0.412 \log (RE)$$

(4-103)

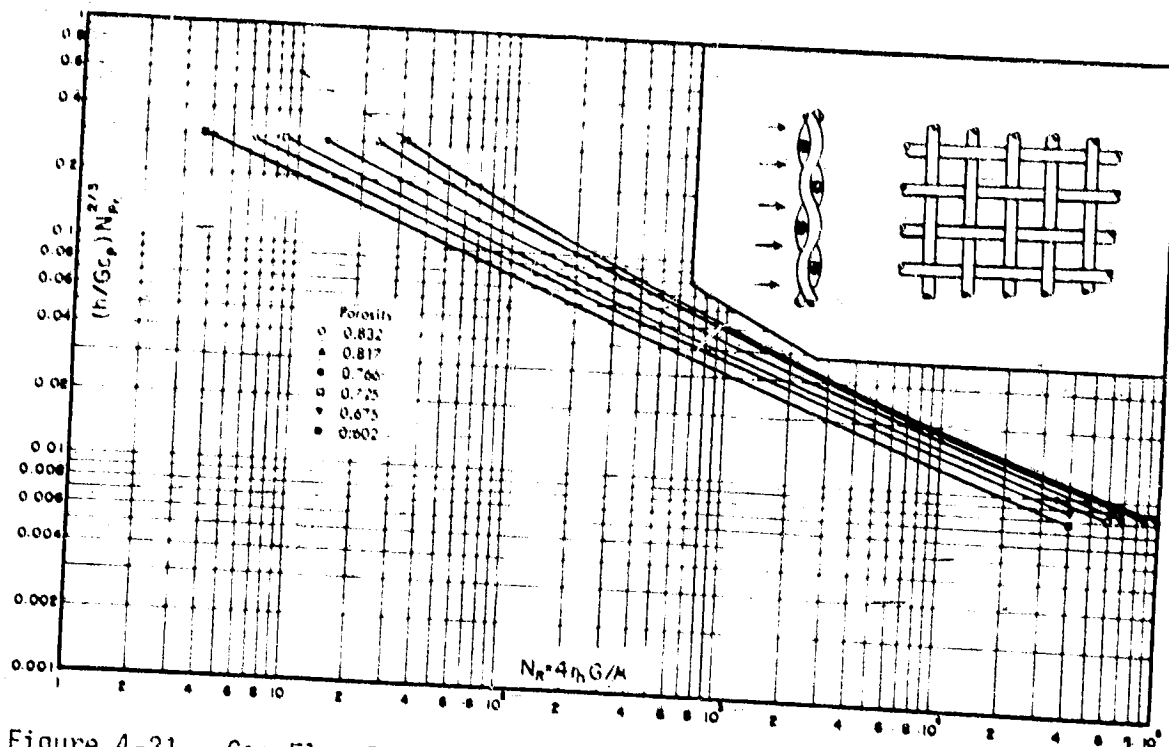


Figure 4-21.—Gas Flow Through an Infinite Randomly Stacked Woven-Screen Matrix, Heat Transfer Characteristics; a Correlation of Experimental Data from Wire Screens and Crossed Rods Simulating Wire Screens. Perfect Stacking, i.e., Screens Touching, is Assumed (64 1, p. 129).

where the Reynolds number, RE , is the same as that used in Section 4.3.3.1.1 and the Prandtl number $PR = CP(MU)/KG$. CP and MU have been given previously. KG and PR are given in Table 4-9.

In a Stirling engine the regenerator is subjected to an important gas pressure oscillation out of phase with the gas flow oscillation that has been evaluated in the above equations. Bjorn Qvale (69 n) has developed an equation that takes this pressure wave into account. He assumes that pressure and mass flow variations are sinusoidal. He assumes that the matrix temperature is expressible by a second order polynomial in X , the distance along the regenerator. He also concludes that, 1) fluid friction has negligible effect on the state of the gas in the regenerator, 2) the gas and matrix temperatures at one location are practically constant with time, 3) the difference between the gas and matrix temperature is small compared to the longitudinal temperature change and, 4) the effect of longitudinal conduction is negligible on the heat transfer process. He starts out with equations representing conservation of momentum, mass and energy and the equation of state. He concludes that:

Table 4-9
 Thermal Conductivities and Prandtl Numbers
 for Working Gases
 Thermal Conductivity, KG, w/cm K
 Prandtl Number, PR, dimensionless
 101 atm pressure

Temperature K	Hydrogen		Helium		Air	
	KG ¹	PR	KG ¹	PR	KG ¹	PR
300	18.15×10^{-4}	0.720	14.99×10^{-4}	0.688	2.614×10^{-4}	0.761
400	22.12×10^{-4}	0.730	17.95×10^{-4}	0.709	3.345×10^{-4}	0.772
500	25.64×10^{-4}	0.744	21.14×10^{-4}	0.717	3.95×10^{-4}	0.795
600	29.1×10^{-4}	0.757	24.7×10^{-4}	0.711	4.56×10^{-4}	0.830
700	32.5×10^{-4}	0.771	27.8×10^{-4}	0.718	5.13×10^{-4}	0.864
800	36.0×10^{-4}	0.781	30.7×10^{-4}	0.729	5.69×10^{-4}	0.899
1000	42.8×10^{-4}	0.810	36.3×10^{-4}	0.749	6.72×10^{-4}	0.974
1200	49.5×10^{-4}	0.846	41.6×10^{-4}	0.770	7.59×10^{-4}	1.057
1500	59.7×10^{-4}	0.890	49.4×10^{-4}	0.795	8.70×10^{-4}	1.189
2000	79.6×10^{-4}	0.923	62.0×10^{-4}	0.828		
2500			73.9×10^{-4}	0.858		
3000			85.1×10^{-4}	0.887		

¹ Touloukian, Y.S., et. al., Thermophysical Properties of Matter, Volume 3.

$$QRH = \frac{CP(MDA)(T1)(AF)}{(OMG)} \frac{2 R(M'', N'')}{(C20)(YL)^2 + (C2L)(YL)^{NX}} \quad (4-105)$$

$$\left\{ 2(YL) \left(\frac{T2}{T1} - 1 \right) + (C1 - A1) \left((YL)^2 \cos (THT) + \cos (THT) - (A1)(TAUL) \right) \right\}$$

where:

MDA = amplitude of the sinusoidal mass velocity at inlet, (X = 0) of regenerator, g/sec cm²

T1 = gas temperature at inlet, hot, end, K

T2 = gas temperature at outlet, cold, end, K

OMG = frequency of operation, radians/sec
= 2π(NU)

$$B(M'', N'') = 2 \int_0^{\pi/2} \sin^{2M''} \theta - 1 \cos^{2N''} \theta - 1 \theta d\theta$$

$$M'' = (3 - NX)/2$$

$$N'' = \frac{1}{2}$$

(Note Qvale's thesis, 67 n, gives a value of NX = 0.59 and B(M'', N'') = 1.79.)

NX = exponent in correlation for the heat transfer coefficient

in form H = XK(W)^{NX}

W = mass flow rate, g/sec

$$C2 = (XK)(AHT) / ((CP)(MDA)^{1-N}(AF))$$

C20 = C2 with XK, MDA and N evaluated at inlet, hot, conditions

C2L = C2 with XK, MDA and N evaluated at outlet, cold, conditions

YL = ratio between the maximum mass flow rate at the end of the regenerator to that at the beginning of the regenerator

$$= \frac{\sqrt{1 - 2(A1)(TAUL) \cos (THT) + (A1)(TAUL)^2}}{2 / ((T2/T1) + 1)}$$

$$TAUL = 2 / ((T2/T1) + 1)$$

$$A1 = (OMG)(L)(PA) / ((MDA)(R)(T1))$$

L = length of regenerator, cm

PA = amplitude of sinusoidal pressure swing, MPa

THT = phase angle between pressure and mass flow at hot end of regenerator, degrees

$$C1 = A1 (CV) / (CP)$$

There is some doubt that Equation 4-105 is interpreted correctly. At a number of places quantities were undefined and guesses had to be made. Also Qvale's thesis (67 n) gives almost the same formula but would predict QRH one half that in Equation 4-105. A letter from Qvale says Equation 4-105 is correct.

If the power output for a particular Stirling engine were evaluated by a numerical method which also gives the pressure, and the mass flow at the hot and cold ends of the regenerator, then one would have the information necessary to substitute into Equation 4-105 and obtain an answer.

Qvale compared his theory with the experimental results on a cooling engine

done by Rea (66 h) and predicts the ineffectiveness and therefore the QRH within $\pm 20\%$.

Rios (69 ar), as was mentioned previously, calculates a work diagram assuming adiabatic hot and cold spaces and any form of volume change with time that can be specified. His reheat loss uses 4 quantities that are calculated when the work diagram is calculated by the computer program.

4.3.7 Shuttle Conduction

Figure 4-22 shows how shuttle conduction works. Shuttle conduction happens anytime a displacer or a hot cap oscillates across a temperature gradient. It is usually not frequency dependent for the speeds and materials used in Stirling engines. The displacer absorbs heat during the hot end of its stroke and gives off heat during the cold end of its stroke. Usually neither the displacer nor the cylinder wall change temperatures appreciably during the process. Shuttle conduction depends upon the area involved, the thickness of the gas filled gap, GR, the temperature gradient $(T_H - T_C)/L$, the gas thermal conductivity, KG, and the displacer stroke, SD. It is also dependent on the wave form of the motion and in some cases, upon the thermal properties of the displacer and of the cylinder wall. All formulas in the literature are of the form:

$$QSH = \frac{(YK)(ZK)(SD)^2(KG)(T_H - T_C)(DCY)}{(GR)(LD)} \quad (4-106)$$

The quantity ZK depends upon the type of displacer or hot cap motion, and YK depends upon the thermal properties of the walls and the frequency of operation. Table 4-10 shows the results of a literature survey for ZK. Note that there is a substantial disagreement about what ZK should be for the sinusoidal case. The author has derived the lower value and he would recommend it. This value, $\pi/8$, agrees with Rios but does not agree with Zimmerman. However, there are no data that would lay the matter to rest.

Rios has published values for YK to take into account the effect of frequency or wall thermal properties which are sometimes important.

In Rios' Ph.D. thesis (69 ar) he gives:

$$YK = \frac{2(L1)^2 - L1}{2(L1)^2 - 1} \quad (4-107)$$

where

$$L1 = \frac{K1}{KG} \sqrt{\frac{(OMG)(GR)^2}{2(TD1)}}$$

K1 = thermal conductivity of piston or displacer, w/cm·K

TD1 = thermal diffusivity of piston or displacer, cm²/sec

$$= \frac{(K1)}{(R01)(CP1)}$$

R01 = density of piston or displacer, g/cm³

CP1 = heat capacity of piston or displacer, J/g·K

Later Rios modified his theory to take into account the thermal properties of the cylinder wall as well (71 an). The new theory gives:

$$YK = \frac{1}{1 + (LB)^2}$$

(4-108)

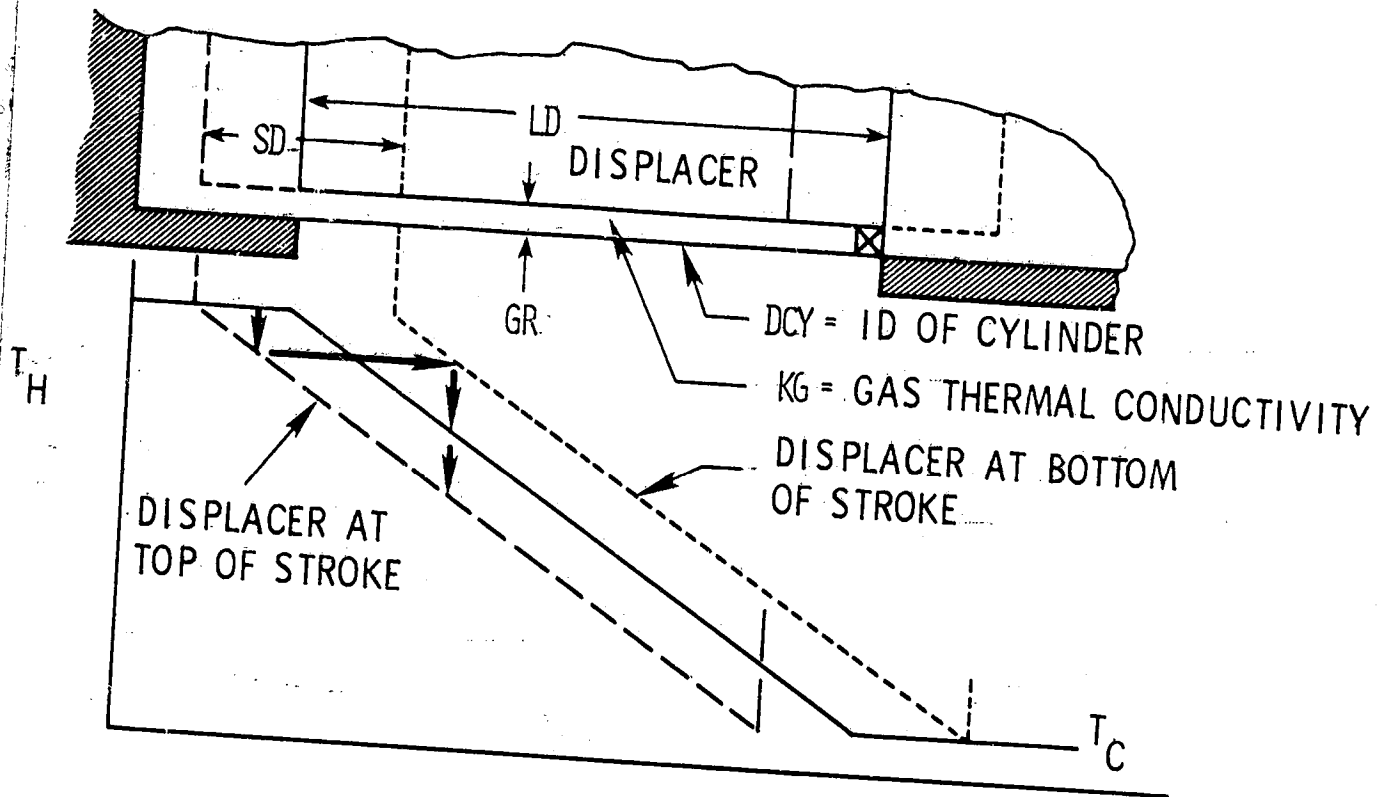


Figure 4-22. Shuttle Conduction.

Table 4-10
 Coefficient for Shuttle
 Heat Conduction Equation
 (Ignoring Effect of Walls)

Motion	Investigator	Ref.	ZK
Square wave $\frac{1}{2}$ time at one end, $\frac{1}{2}$ time at other	Zimmerman	71 be	$\frac{\pi}{4} = 0.785$
	Crouthamel & Shelpuk	75 ac	$\frac{\pi}{4} = 0.785$
Sinusoidal (effect of walls ignored)	Martini	(1)	$\frac{\pi}{8} = 0.393$
	Zimmerman	71 be	$\frac{\pi}{5.4} = 0.582$
	Rios	71 an	$\frac{\pi}{8} = 0.393$
	White	71 j	$.186'' = 0.584$
	-----	69 aa	$.186'' = 0.584$

(1) McDonnell Douglas Reports, never published

where:

$$LB = 1 + \frac{1}{2\pi} \frac{KG}{GR} \left(\frac{LT1}{K1} + \frac{LT2}{K2} \right)$$

LT1 = Temperature wave length in displacer

$$= 2\pi \sqrt{\frac{2(TD1)}{OMG}}$$

LT2 = Temperature wave length in cylinder wall

$$= 2\pi \sqrt{\frac{2(TD2)}{OMG}}$$

TD2 = thermal diffusivity of the cylinder wall, cm²/sec (defined same as TD1)

The above factor applies for simple harmonic motion and for engines in which LT1 is smaller than the thickness of the displacer wall and LT2 is smaller than the thickness of the cylinder wall. Rios gives equations for solving the problem for any periodic motion by using of Fourier series expansion. To help determine whether the above factor applies, Rios gives some typical values of LT at room temperature (see Table 4-11).

Table 4-11
Typical Temperature Wave Lengths,
LT, at Room Temperature Conditions
Reference: Rios, 71 an
Centimeters

Material	Frequency, HZ					
	1	2	5	10	20	50
Mild Steel	1.21	0.86	0.54	0.38	0.27	0.17
Stainless Steel	0.74	0.53	0.33	0.24	0.17	0.11
Phenolic	0.85	0.60	0.38	0.27	0.19	0.12
Pyrex Glass	0.26	0.18	0.11	0.08	0.06	0.04

If the wall thickness is considerably smaller than the temperature wave length, then it may be assumed that radial temperature distribution in the walls is uniform. Rios (71 an) proposes the following definition of YK for this case:

$$YK = \frac{1}{1 + (SGM)^2}$$

(4-109)

where:

$$SGM = \frac{(KG)(SD)}{(GR)(OMG)} \left(\frac{1}{(RO1)(CP1)(WT1)} + \frac{1}{(RO2)(CP2)(WT2)} \right)$$

and:

WT1 = wall thickness of displacer, cm
WT2 = wall thickness of cylinder wall, cm

Note that when the thermal properties of the wall do not matter, YK whether evaluated by Equation 4-107, 4-108 or 4-109 would all evaluate to nearly 1. There is not any published formula that treats the case of cylinder and displacer wall thickness of the order of the temperature wave length. There are also no published formulas for the case of a thick cylinder wall and a thin displacer or visa-versa. For horsepower size engines Equation 4-108 will apply. For model engines or artificial heart engines Equation 4-109 will apply. Therefore, for horsepower size, high pressure engines the recommended equation for shuttle heat conduction is:

$$QSH = \left(\frac{1 + LB}{1 + (LB)^2} \right) \frac{\pi (SD)^2 (KG) (THM - TCM) (DCY)}{8 (GR) (LD)} \quad (4-110)$$

For model size engines using low gas pressure and very thin walls:

$$QSH = \left(\frac{1}{1 + (SGM)^2} \right) \frac{\pi (SD)^2 (KG) (THM - TCM) (DCY)}{8 (GR) (LD)} \quad (4-111)$$

It also should be emphasized that Equation 4-110 and 4-111 are for nearly sinusoidal motion of the displacer or hot cap. Square wave motion would double this result. Ramp motion should reduce this result some.

4.3.8 Gas and Solid Conduction

This heat loss continues while the engine is hot, independent of engine speed. It is simply the heat transferred through the different gas and solid members between the hot portion and the cold portion of the engine. Heat can be transferred by conduction or radiation. In the regenerator the gas moves, but under this heading the heat loss is computed as if the gas were stagnant. In Section 4.3.6, the reheat loss is computed assuming there is no longitudinal conduction.

The uncertainty about what thermal conductivities and what emissivities to use to evaluate this loss makes its measurement with the engine desirable. In some engines the hot and cold spaces are heated and cooled directly. In this case measuring the heat absorbed by the cooling water with the engine heated to temperature but stopped will give this heat loss directly. However, all the horsepower-size engines described in Section 3 have indirectly heated and cooled hot and cold gas spaces. For this case the sum of the gas and solid conduction and the shuttle conduction can be determined by measuring the heat absorbed by the cooling water for a number of slow engine speeds with the engine heater at temperature and then extrapolating to zero engine speed.

4. Radiation along a cylinder with radiation shields.
Solutions to each one of these problems will now be given.

4.3.8.1 Constant Area Conduction

Heat loss by conduction of this type is computed by the formula:

$$Q_C = \frac{KG(AHT)(T_{HM} - T_{CM})}{LD} \quad (4-112)$$

where the thermal conductivities areas and lengths are german to Path.3 and 4a above, KG is evaluated at mid-point temperature. (See Table 4-9.)

4.3.8.2 Variable Area, Variable Thermal Conductivity

For one dimensional heat conduction where the heat transfer area varies continually and the thermal conductivity changes importantly, the heat conduction path is divided into a number of zones. The average heat conduction area for each zone is calculated. The temperature in each zone is estimated and from this estimate a thermal conductivity is assigned. Figure 4-23 gives the thermal conductivities for some probable construction materials in the units used in this manual. It should be noted that there is quite a variability in some common materials like low carbon steel. Measured thermal conductivity different by a factor of 3 is shown. Differences are due to heat treatment and the exact composition. With commercial materials having considerable variability, it is strongly recommended that the static heat loss be checked by extrapolating the heat requirement for the engine to zero speed. This number would then need to be analyzed to determine how much shuttle heat loss is also being measured and how much is static heat loss.

For purposes of illustration, assume 3 zones are chosen along a tapered cylinder wall. (See Figure 4-24.) Temperatures TA and TB must be estimated between TH and TC to start. The heat transfer areas AHTH, AHTB, AHTA and AHTC are computed based upon engine dimensions. The heat through each segment is the same. Thus:

$$\begin{aligned} Q_C &= \left(\frac{K_{MH} + K_{MB}}{2} \right) \left(\frac{A_{HTH} + A_{HTB}}{2} \right) \left(\frac{T_{HM} - T_B}{L_{HB}} \right) & (4-113) \\ &= \left(\frac{K_{MB} + K_{MA}}{2} \right) \left(\frac{A_{HTB} + A_{HTA}}{2} \right) \left(\frac{T_B - T_A}{L_{BA}} \right) \\ &= \left(\frac{K_{MA} + K_{MC}}{2} \right) \left(\frac{A_{HTA} + A_{HTC}}{2} \right) \left(\frac{T_A - T_{CM}}{L_{AC}} \right) \end{aligned}$$

Let:

$$R_1 = L_{HB} / \left(\left(\frac{K_{MH} + K_{MB}}{2} \right) \left(\frac{A_{HTH} + A_{HTB}}{2} \right) \right) \quad (4-114)$$

$$R_2 = L_{BA} / \left(\left(\frac{K_{MB} + K_{MA}}{2} \right) \left(\frac{A_{HTB} + A_{HTA}}{2} \right) \right) \quad (4-115)$$

$$R_3 = L_{AC} / \left(\left(\frac{K_{MA} + K_{MC}}{2} \right) \left(\frac{A_{HTA} + A_{HTC}}{2} \right) \right) \quad (4-116)$$

Usually the following conduction paths are identified and should be evaluated for each engine:

<u>Path No.</u>	<u>Description</u>
1.	Engine cylinder wall.
2.	Displacer or hot cap wall.
3.	Gas annulus between cylinder and hot cap.
4.	Gas space inside displacer or hot cap. a. gas conduction b. radiation
5.	Regenerator cylinders.
6.	Regenerator packing.

The engine cylinder, the displacer and regenerator cylinders must be designed strong enough to withstand the gas pressure for the life of the engine without changing dimension appreciably. However, extra wall thickness contributes unnecessarily to the heat loss. For this reason the cylinder walls of most high powered engines are much thinner at the cold end where the creep strength is high than they are at the hot end. This, of course, complicates evaluation of this type of heat loss.

The following types of heat transfer problems need to be solved to evaluate these heat losses:

1. Steady, one dimensional conduction, constant area, variable thermal conduction.
2. Steady, one dimensional conduction, variable area, variable thermal conductivity.
3. Steady, one dimensional conduction through a composite material (wire screens).

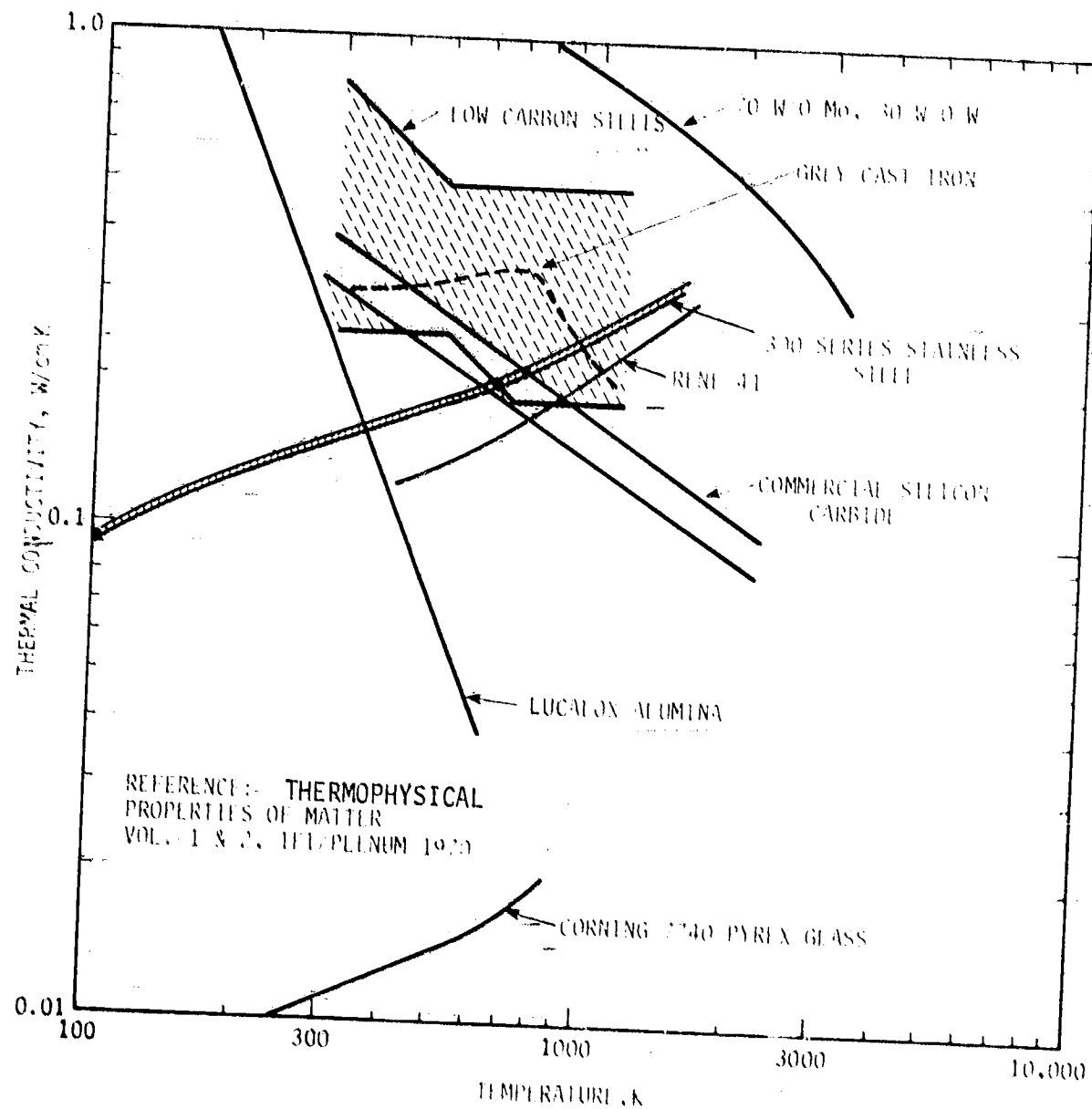


Figure 4-23. Thermal Conductivities of Probable Construction Materials for Stirling Engines.

Then:

$$QC = \frac{THM - TCM}{R1 + R2 + R3} \quad (4-117)$$

Once QC is computed then:

$$TB = THM - T1(QC) \quad (4-118)$$

$$TA = TB - R2(QC) \quad \text{and so on} \quad (4-119)$$

TB and TA are compared with the original guesses. If they are appreciably different so that the thermal conductivities would be different, then new thermal conductivities based upon these computed values of TB and TA would be determined and the process repeated. Once more is usually sufficient.

This same procedure is used for the engine cylinder and the displacer if the walls are tapered.

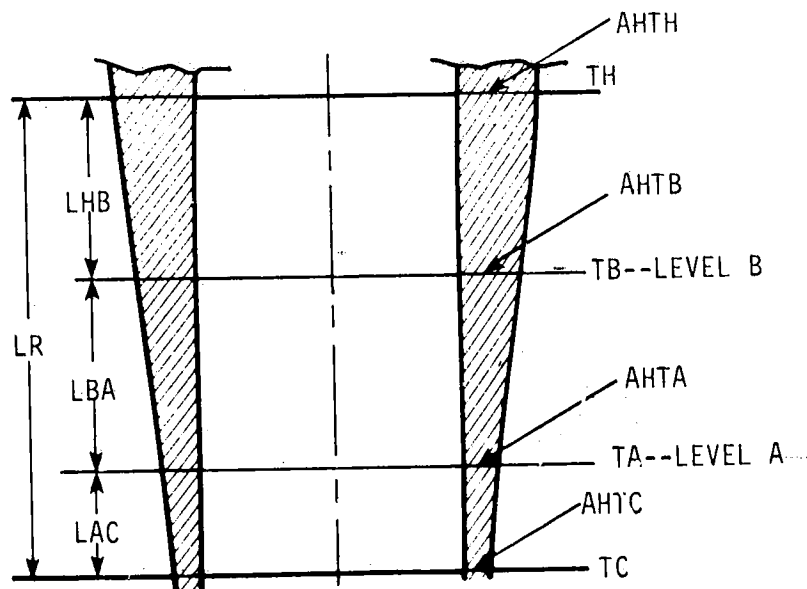


Figure 4-24. Computation of Tapered Cylinder Wall Conduction.

4.3.8.3 Conduction Through Regenerator Matrices

Usually the regenerator of a Stirling engine is made from many layers of fine screen that is lightly sintered together. The degree of sintering would have a big bearing on the thermal conductivity of the screen stack since the controlling resistance is the contact between adjacent wires. Some cryogenic regenerators use a bed of lead spheres.

In the absence of data, Gorring (61 n) gives the following formula for conduction through a square array of uniformly sized cylinders.

$$KMX = KG \left(\frac{\left(\frac{1 + (KM/KG)}{1 - (KM/KG)} \right) - FF}{\left(\frac{1 + (KM/KG)}{1 - (KM/KG)} \right) + FF} \right) \quad (4-120)$$

The thermal conductivity of the gas KG and the metal KM are evaluated at TR. The heat loss through the screens is then determined using an equation like 4-112.

Sometimes the regenerator is made from slots in which metal foils run continuously from hot to cold ends. The conductivity of the matrix in this case is:

$$KMX = \frac{KG(GR) + KM(THF)}{GR + THF} \quad (4-120a)$$

Then the heat loss through the matrix is then determined using an equation like 4-112.

4.3.8.4 Radiation Along a Cylinder with Radiation Shields

The engine displacers or the hot cap for a dual piston machine is usually hollow. Heat transport across this gas space is by gas conduction and by radiation. Radiation heat transport follows the standard formula:

$$QR = (EA)(FE)(FN)(\pi/4)(DID)^2 (SIG) \left((THM)^4 - (TCM)^4 \right) \quad (4-121)$$

The area factor, FA, is usually determined by a graph computed by Hottel (McAdams, Heat Transmission, 3rd Ed., p. 69). For the case of two discs separated by non-conducting but reradiating walls his curve is correlated by the simple formula:

$$FA = 0.50 + 0.20 \ln \left(\frac{DID}{LD} \right) \quad (4-122)$$

Equation 4-122 is good for values of DID/LD from 0.2 to 7. For (DID/LD) < 0.2 use:

$$FA = \frac{DID}{LD} \quad (4-123)$$

Emissivity factor, FE, is the product of the emissivity at the hot end and at the cold end. Thus:

$$FE = (EH)(EC) \quad (4-124)$$

The hot and cold emissivities can be obtained from any standard text on heat

transfer. This emissivity depends upon the surface finish, the temperature and the material. It is not easy to know what the emissivity in a particular case is.

If the emissivity of the radiation shields is intermediate between the emissivity of the hot and cold surfaces, then from the number of radiation shields, NRS, the radiation-shield factor, FN, is calculated approximately.

$$FN \approx 1/(1 + NRS) \quad (4-125)$$

4.3.9 Pumping Loss

A displacer or a hot cap has a radial gap between the ID of the engine cylinder and the OD of the displacer. This gap is sealed at the cold end. As the engine is pressurized and depressurized, gas flows into and out of this gap. Since the closed end of the gap is cold, extra heat must be added to the gas as it comes back from this gap. Leo (70 ac) gives the formula:

$$Q_{PU} = \frac{2(a(DCY))^{0.6}(LD)(P_{MAX} - P_{MIN})^{1.6}(NU)^{1.6}(CP)^{1.6}(T_{HM} - T_{CM})(GR)^{2.6}}{1.5(Z1)(RM)^{1.6}(KG)^{0.6}((T_{HM} + T_{CM})/2)^{1.6}} \quad (4-126)$$

4.3.10 Temperature Swing Loss

In computing the reheat loss (see Section 4.3.6) it was assumed that the regenerator matrix temperature oscillates during the cycle a negligible amount. In some cases the temperature oscillation of the matrix will not be negligible. The temperature swing loss is this additional heat that must be added by the gas heater due to the finite heat capacity of the regenerator. The temperature drop in the regenerator matrix temperature all along the line due to a single flow of gas into the hot space is:

$$DELTMX = \frac{WHS(CV)FCT(T_{HM} - T_{CM})}{NU(MMX)(CPM)} \quad (4-127)$$

Half of this, (DELTMX)/2, is equivalent to A in Equation 4-97 and Figure 4-20 since DELTMX starts at zero at the start of the flow and grows to DELTMX. Thus the temperature swing loss is:

$$QTS = (FCT)(WHS)(CV)(DELTRMX)/2 \quad (4-128)$$

Crouthamel and Shelpuk (75 ac) point out this loss but their equation is:

$$QTS = (FCT)(WHS)(CP)(DELTMX) \quad (4-129)$$

Their equation substitutes CP for CV as was done also in Section 4.3.6. The reason for division by 2 seems to be recognized in their text but is not reflected in their formula. Equation 4-128 was used in Section 7. Based upon the discussion in Section 4.3.6, it is now recommended that an effective gas heat capacity based upon Equation 4-97.1 be used in Equations 4-127 and 4-128.

4.3.11 Internal Temperature Swing Loss

Some types of regenerator matrices could have such low thermal conductivity (for example, glass rods) that all the mass of the matrix would not undergo the same temperature swing. The interior would undergo less swing and the outside would undergo more swing than would be calculated by Equation 4-127. This additional swing would result in an additional heat loss. Crouthamel and Shelpuk (75 ac) give this loss as:

$$QITS = QTS \left[C3 \left(\frac{(ROM)(CPM)}{KM} \right) \frac{(LMX)^2 NU}{FCT} \right] \quad (4-130)$$

The geometry constant C3 is given as 0.32 by Crouthamel and Shelpuk (75 ac) who refer to page 112 of Carslaw and Jaeger (59 o). This constant is for a slab. The constant for a cylinder or a wire is 0.25 (59 o, p. 203).

4.3.12 First Round Engine Performance Summary

At this point it is necessary to take stock of the first estimate of the net power out and the total heat in based upon the first estimate of the effective hot and cold gas temperature. The total heat requirement will be used along with the characteristics of the heat exchangers to compute the effective hot and cold gas temperatures. These new computed temperatures will be used to determine a better estimate of the basic output power and basic heat input. Heat losses and power losses will remain the same. The net power output is:

$$NP = BP - WP - MFL$$

The net heat input is: (4-131)

$$QN = BHI + QRH + QSH + QS + QPU + QTS + QITS - WPH - \frac{WPR}{2} \quad (4-132)$$

4.3.13 Heat Exchanger Evaluation

Once the first estimate of the net heat input, QN, is computed, the duty of the gas heater and gas cooler are determined:

$$QGH = QN$$

$$QGC = QN - NP \quad (4-133)$$

Next, the heat transfer coefficient for the gas heater and gas cooler is computed. The most common type is the tubular heat exchanger. Small machines can use an annular gap heat exchanger. Isothermalizer heat exchangers are possible. How to compute the heat transfer coefficient for each one of these types of heat exchangers will be presented. Then the way of estimating the temperature offset will be shown. (4-134)

4.3.13.1 Tubular Heat Exchangers

The Reynolds number for the gas heater is:

$$RE = \frac{WHS}{\frac{\pi}{4}(DIH)(NTH)(MU)} \quad (4-135)$$

A similar equation would be used for the cooler. The heat transfer coefficient is derived from the correlation on Figure 4-19. Use the solid lines because the surface temperature is controlled. Note that there is an important effect of length to diameter, L/DH , for the heater. The ordinate of interest in Figure 4-19 is $(H/(CP(G)))(PR)^{1/3}$. The last factor shown on Figure 4-19 is ignored because the heat exchanger will operate with small temperature differences. In evaluating the above ordinate for H , the heat transfer coefficient, let $G = WHS/(\frac{1}{4}(DIH)(NTH))$ for the heater and a similar relationship for the cooler.

4.3.13.2 Annular Gap Heater Exchangers

Small Stirling engines can use annular gap heat exchangers effectively. The heat is applied from one side and the surface temperature is assumed constant. From reference 64 1, page 103:

$$\frac{H(4)(GH)}{KG} = 4.86 \quad (4-136)$$

4.3.13.3 Isothermalizer Heat Exchangers

The gas in the isothermalizer is chiefly heated or cooled by compression or expansion. Under these conditions the gas in the hot space is uniformly cooled by expansion and at the same time heated from both surfaces of the gas layer. In the cold space an analogous process goes on. Under these conditions the gas layers are effectively in the form of a slab. Appendix A shows that:

$$T_H = T_{HM} - \frac{QGH(GTA)}{6(KG)(AHT)} \quad (4-137)$$

and:

$$T_C = T_{CM} + \frac{QGC(GTA)}{6(KG)(AHT)} \quad (4-138)$$

4.3.14 Iteration To Find Effective Gas Temperature

4.3.14.1 Flow Heat Exchangers

In tubular or annular gap heat exchangers most of the heat is transferred during times of gas flow. Two thirds of the time, $2(FCT)$, gas can be assumed to flow one way or the other through the heat exchangers. Thus:

$$QGH = 2(FCT)(WHS)(CV)(T_H - T_{HO}) \quad (4-138.1)$$

$$= H(AHT) \frac{(T_H - T_{HO})}{\ln\left(\frac{T_{HM} - T_{HO}}{T_{HM} - T_H}\right)} \quad (4-138.2)$$

or:

$$T_H - T_{HM} = \frac{QGH}{2(FCT)(WHS)(CV)(\exp(NTUH) - 1)} \quad (4-139)$$

where:

$$NTUH = \frac{H(AHT)}{2(FCT)(WHS)(CV)}$$

similarly:

$$TC = TCM + \frac{QGC}{2(FCT)(WCS)(CV)(\exp(NTUC) - 1)} \quad (4-140)$$

Crouthamel and Shelpuk (75 ac) present a similar calculation but reason that most of the heat transfer in the heater happens during out flow from the hot space and that most of the heat transfer in the gas cooler happens during out flow from the cold space. If this reasoning proves true the 2 in Equation 4-139 and 4-140 and in the definition of NTUH and NTUC would be changed to 1. More exact third order calculations might be used to show what factor should be used in Equations 4-139 and 4-140. Possibly 1.5 would be a good choice. Also, the question of whether to use CP or CV in the above two equations can be settled by more exact third order calculations. Equations 4-139 and 4-140 were used in Section 7. As discussed in Section 4.3.6 it is now recommended that CP be used instead of CV in the above equation because the pressure change term in Equation 4-97.1 would cancel out when one full cycle is considered.

Equation 4-139 and 4-140 give a much better estimate of TH and TC than was used the first time the basic power, BP, and the basic heat input, BHI, were calculated. If there is a significant change in TH and TC the calculation for BP and BHI are repeated. All other heat loss equations do not use TH and TC and therefore would not change. A new QGH and QGC would be computed. Again by Equations 4-139 and 4-140 a new estimate of TH and TC would be calculated. These temperatures will probably be essentially the same as the previous estimate, and the computation will be finished.

In the case of the GPU-3 engine the cooler is water cooled. Since the heat transfer coefficient for the water is much greater than for the gas, the cold metal temperature is very close to the cooling water temperature and it can be assumed to be the same. On the other hand, the thermocouple measuring the heater temperature is in the gas stream half way through the gas heater. During the time gas is flowing into the hot space the heater must heat the gas to make up for regenerator reheat loss. In addition, during the first half of the inflow, the heater must cool the gas due to some compression heating. During the last half of the inflow the heater must heat the gas due to some expansion cooling. When the inflow is complete the gas in the hot space is cooled by expansion. The main heat load for the heater comes during outflow from the hot space when the expanded gas is heated. During the first half of the outflow some additional expansion cooling occurs as the gas traverses the heater. During the second half of the outflow some compression heating occurs as the gas traverses the heater. If the thermocouple is small enough to follow the change in gas temperature, it should change considerably each cycle. Since the change reportedly does not occur, the thermocouple is large and registers the average gas temperature at the mid-point of the heat exchanger. Assume, therefore, for the case of the GPU-3 heater that the effective hot space temperature, TH, is that measured by the thermocouple and that for the purpose of computing shuttle heat conduction, static conduction and reheat loss, THM = TH. Nevertheless, the temperature of the flame heated metal tubes will be hotter than the measured temperature. Equation 4-139 can be used to estimate this temperature.

4.3.14.2 Isothermalizer Heat Exchangers

The same kind of iterative process is used as above except Equations 4-137 and 4-138 are used instead of 4-139 and 4-140.

4.3.15 Conclusions on Second Order Design Methods

1. Second order is good for practical engine design and engine optimization.
2. Second order design methods identify and quantify the losses. This makes it easier to determine what must be done to minimize the sum of all the losses.
3. Much basic work needs to be done to extend the theory and experimentally validate the equations used for second order analysis.
4. The required degree of complication in the analysis of a Stirling engine design to adequately predict performance has not been determined at this stage of public knowledge.

4.4 Third Order Design Methods

Third order design methods start with the premise that the many different processes assumed to be going on simultaneously and independently in the second order design method (see Section 4.3) do in reality importantly interact. Whether this premise is true or not is not known and no papers have been published in the open literature which will definitively answer the question. Qvale (68 m, 69 n) and Rios (70 z) have both published papers claiming good agreement between their advanced second order design procedures and experimental measurements (see Sections 5.1 and 5.2). Third order design methods are an attempt to compute the complex process going on in a Stirling engine all of a piece. Finkelstein pioneered this development (62 a, 64 b, 67 d, 75 a1) and in the last year or so a number of other people have taken up the work. If the third order method is experimentally validated then much can be learned about the workings of the machine from the computation that can not be measured reliably.

Third order design methods start by writing down the differential equations which express the ideas of conservation of energy, mass and momentum. These equations are too complex for a general analytical solution so they are solved numerically. The differential equations are reduced to their one dimensional form. Then depending on just what author's formulation is being used, additional simplifications are employed.

In this design manual the non-proprietary third order design methods will be discussed. It will not be possible to describe these methods in detail. However, the basic assumptions that go into each calculation procedure will be given.

4.4.1 Basic Design Method

In broad outline the basic design method is as follows (see Figure 4-25):

1. Specify dimensions and operating conditions, i.e., temperatures, charge pressure, motion of parts, etc. Divide engine into control volumes.
2. Convert the differential equations expressing the conservation of mass, momentum, and energy into difference equations. Include the kinetic energy of the gas. Include empirical formulas for the friction factor and the heat transfer coefficient.
3. Find a mathematically stable method of solution of the engine parameters after one time step given the conditions at the beginning of that time step.
4. Start at an arbitrary initial condition and proceed through several engine cycles until steady state is reached by noting that the work output per cycle does not change.
5. Calculate heat input.

4.4.2 Fundamental Differential Equations

Following the explanation of Urieli (77 d), there are 4 equations that must be satisfied for each element. They are:

1. Continuity
2. Momentum
3. Energy
4. Equation of state

These relationships will be given in words and then in the symbols used by Urieli.

4.4.2.1 Continuity Equation

The continuity equation merely expresses the fact that matter can neither be created nor destroyed. Thus:

$$\left\{ \begin{array}{l} \text{rate of decrease of} \\ \text{mass in control volume} \end{array} \right\} = \left\{ \begin{array}{l} \text{net mass flux convected} \\ \text{outwards through surface} \\ \text{of control volume} \end{array} \right\} \quad (4-141)$$

Urieli (77 d) expresses this relationship as:

$$\frac{\partial m}{\partial t} + V \frac{\partial \rho}{\partial x} = 0 \quad (4-142)$$

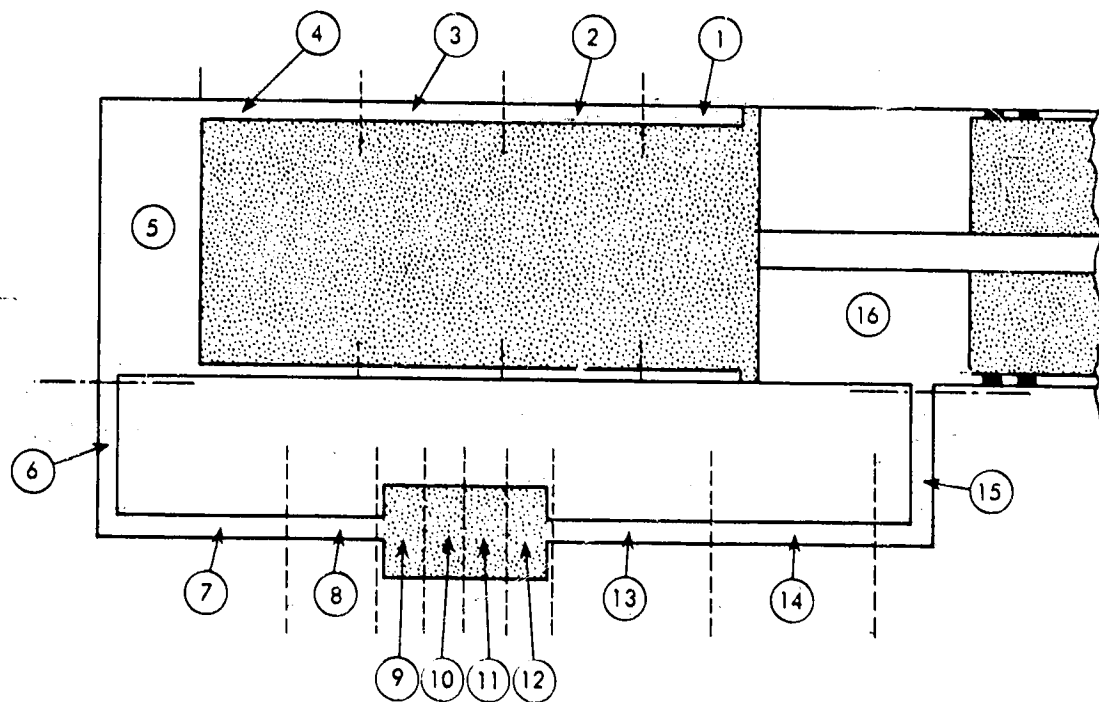


Figure 4-25. Sample Division of Engine Working Gas Space into Control Volumes for a Third Order Design Method.

where:

- $m = m/M$
- m = mass of gas in control volume, Kg
- M = mass of gas in engine, Kg
- t = time, seconds
- $V = \dot{V}/V_s$
- \dot{V} = volume of control volume, m^3
- V_s = total power stroke volume of machine, m^3
- $g = \dot{q}/(M \cdot R(T_k)/V_s)$
- \dot{g} = mass flux density, $kg/m^2 \cdot sec$
- R = gas constant for working gas, $J/Kg \cdot K$
- T_k = cold sink absolute temperature, K
- $x = \dot{x}/(V_s)^{1/3}$
- \dot{x} = distance, meters

4.4.2.2 Momentum Equation

$$\left\{ \begin{array}{l} \text{Rate of changes of} \\ \text{momentum within the} \\ \text{control volume } V \end{array} \right\} + \left\{ \begin{array}{l} \text{Net momentum flux convected} \\ \text{outwards through control} \\ \text{surface } A \end{array} \right\} \quad (4-143)$$

$$= \left\{ \begin{array}{l} \text{Net surface force acting} \\ \text{on the fluid in the control} \\ \text{volume } V \end{array} \right\}$$

Urieli (77 d) expresses this relationship as:

$$\frac{\partial}{\partial t} (gV) + V \frac{\partial}{\partial x} (g \cdot v) + V \frac{\partial p}{\partial x} + F = 0 \quad (4-144)$$

where in addition:

- $v = \dot{v}/(V_s/M)$
- \dot{v} = specific volume, m^3/Kg
- $p = \dot{p}/(M(R)T_k/V_s)$
- \dot{p} = pressure, N/m^2
- $F = \dot{F}/M(R)T_k/(V_s)^{1/3}$
- \dot{F} = frictional drag force, N

4.4.2.3 Energy Equation

$$\left\{ \begin{array}{l} \text{Rate of heat transfer} \\ \text{to the working gas} \\ \text{from the environment} \\ \text{through control surface } A \end{array} \right\} = \left\{ \begin{array}{l} \text{Rate of energy} \\ \text{accumulation} \\ \text{within the control} \\ \text{volume } V \end{array} \right\}$$

$$+ \left\{ \begin{array}{l} \text{Net energy flux convected} \\ \text{outwards by the working} \\ \text{gas crossing the control} \\ \text{surface } A \end{array} \right\} + \left\{ \begin{array}{l} \text{Net rate of flow work} \\ \text{in pushing the mass of} \\ \text{working gas through} \\ \text{the control surface } A \end{array} \right\} \quad (4-145)$$

+ $\left\{ \begin{array}{l} \text{Net rate of mechanical work done} \\ \text{by the working gas on the environ-} \\ \text{ment by virtue of the rate of change} \\ \text{of the magnitude of the control volume V} \end{array} \right\}$

Urieli (77 d) expresses this relationship finally as:

$$\frac{dQ}{dt} = \frac{d}{dt} \left(\frac{mT}{\gamma - 1} \right) + V \frac{d}{dx} \frac{\gamma T(g)}{\gamma - 1} - g(v) \left(V \frac{dp}{dx} + F \right) + \frac{dW}{dt} \quad (4-146)$$

where in addition:

- $Q = \dot{Q}/(MR(Tk))$
- \dot{Q} = heat transferred, J
- γ = ratio of specific heat capacity of working gas = CP/CV
- $T = \dot{T}/Tk$
- \dot{T} = working gas temperature in control volume, K
- $W = \dot{W}/(M(R)Tk)$
- \dot{W} = mechanical work done, J

4.4.2.4 Equation of State

Due to the normalizing parameters Urieli uses the equation of state merely is:

$$p(V) = m(T) \quad (4-147)$$

4.4.3 Comparison of Third Order Design Methods

It is generally beyond the scope of this first edition of the design manual to give the reader a complete explanation of how to compute by third order methods. A number of them are or soon will be in the literature. These methods will now be described briefly.

4.4.3.1 Urieli

This design method is described fully in Israel Urieli's thesis (77 af). A good short explanation is given in this IECEC paper (77 d). He applies his method to an experimental Stirling engine of the two piston type. The hot cylinder is connected to the cold cylinder by a number of tubes in parallel. Sections of each one of these tubes are heated, cooled or allowed to seek their own temperature level in the regenerator part (see Figure 4-26). This type of engine was chosen because of ease in programming, and because heat transfer and fluid flow correlations for tubes are well known. Also an engine like this is built and is operating at the University of Witwatersrand in Johannesburg, South Africa. The intention is to obtain experimental confirmation of this design method. Urieli converts the above partial differential equations to a system of ordinary differential equations by converting all differentials to difference quotients except for the time variable. Then he solves these ordinary differential equations using the 4th order Runge-Kutta method starting from a stationary initial condition. The thesis contains the FORTRAN program. The first copies of this thesis has three errors in the main program. Later copies of the thesis will probably have these corrections added. Corrections should be obtained from I. Urieli, Ormat Turbines, P.O. Box 68, Yavne, Israel.

Urieli is now attempting to calculate the data points for the GPU-3 engine by appropriately modifying his program.

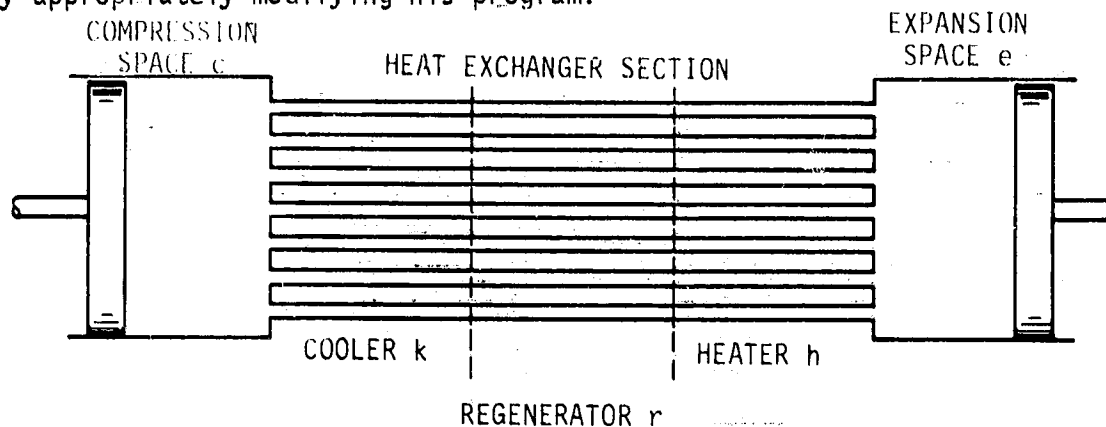


Figure 4-26. Urieli Engine Model.

4.4.3.2 Schock

Al Schock, Fairchild Industries, Germantown, Maryland, presented some results of calculations using his 3rd order design procedure at the Stirling Engine Seminar at the Joint Center for Graduate Study in Richland, Washington, August 1977. His calculation started with the same differential equations as Urieli but his method of computer modeling was different but undefined. He confirmed what Urieli had said at the same meeting that the time step must be smaller than the time it takes for sound to travel from one node to the next through the gas. Al Schock's assignment was to develop an improved computer program for the free displacer, free piston Stirling engine built by Sunpower for DOE. The engine had a very porous regenerator. Although the pressures in the expansion and compression space of the engine were different, they were not visibly different when the gas pressure vs. time was plotted.

This program is as yet not publicly documented. Schock is awaiting good experimental data with which to correlate the model.

4.4.3.3 Vanderbrug

In reference 77 ae, Finegold and Vanderbrug present a general purpose Stirling engine systems and analysis program. The program is explained and listed in a 42 page appendix. Quoting from 77 ae:

The technical approach used in the Stirling Cycle Analysis Model (SCAM) is based on obtaining system transient response by lumped parameter, or nodal, numerical integration. The integration technique assumes that the thermodynamic processes are quasi-static during a small time interval for each system node or control volume. The Stirling analysis programs developed at LeRC (77 b1), the recent Finkelstein models (67 d), and most thermal analyzer programs employ this method to avoid direct integration of many non-linear uncoupled differential equations.

The lumped parameter method is desirable because either empirical or theoretical definition of component performance characteristics is easily achieved without use of transform functions. Also, discontinuities such as those produced by flowing from laminar to turbulent, or from subsonic to choked, are readily simulated.

One disadvantage of this approach is the extremely small computing time interval which is required to satisfy the quasi-static assumption for pneumatic systems. The small computing interval unavoidably translates into a high computer dollar charge.

The SCAM program was designed to provide extreme flexibility due to the modular structure and variety of user input options. The SCAM consists of a compilation, or library, of individual modeling routines. Each routine contains the logic and generalized equations, such as chamber, volume, duct, temperature controller, heat exchanger, etc., required to simulate a pneumatic system component. This allows the user to select components from the library and assemble them into fluid flow and logic control functional segments ("legs" or "loops") representative of the physical system being modeled. The user specifies initial conditions, boundary conditions, and other key parameters describing the performance characteristics of each component. All input parameters can be either constants, curve data, or forced to vary as a function of time, temperature, or some other control value, such as crank angle.

At this point, there is nothing available to show how well this computer model works.

4.4.3.4 Finkelstein

Ted Finkelstein has made his computer analysis program (75 a1) available through Cybernet at about \$25 per case. Instructions and directions for use are obtainable from TCA, P. O. Box 643, Beverly Hills, California 90213. One must become skilled in the use of this program since as the engine is optimized it is important to adjust the temperature of some of the metal parts so that the temperature at the end of the cycle is nearly the same as at the beginning.

Urieli and Finkelstein use the same method in handling the regenerator nodes in that the flow conductance from one node to the next depends upon the direction of flow. Finkelstein solves the same equations as Urieli presents but he neglects the kinetic energy of the flowing gas. By so doing, he is able to increase his time step substantially. Neglecting kinetic energy will cause errors in predicting pressures during the cycle. However, it is not clear what effect this simplifying assumption has upon power output and efficiency calculations. To make a comparison one would have to use the same correlations for friction factor and heat transfer coefficient and be certain that the geometries are identical. The author has directions for using this program. Possibly a comparison of this program with the GPU-3 measurements

and other calculation procedures can be made in the future.

Finkelstein claims that his program has been validated experimentally but that the results are proprietary.

4.4.3.5 Lewis Research Center (LeRC)

The author has attempted to formulate a design procedure based upon some computation concepts originally used by M. Mayer at McDonnell Douglas. A simplified version was presented (75 ag). However, an attempt failed to extend the method to include a real regenerator with dead volume and heat transfer as a function of fluid flow. The procedure was computationally stable and approached a limiting value as the time step decreased. But when the heat transfer coefficients were set very high, there should have been no heat loss through the regenerator, but the computation procedure did not allow this to happen because gas was always entering the hot space at the temperature of the hottest regenerator element. There was also the problem of finding the proper metal temperature for the regenerator elements.

Parallel and independently of the author, Roy Tew, Kent Jefferies and Dave Miao at LeRC have developed a computer program which is very similar to the author's (77 b1). In addition, they have come up with a way of handling the regenerator which gets around the problem the author found.

The LeRC method assumes that the momentum equation need not be considered along with the equations for continuity, energy and equation of state. They assume that the pressure is uniform throughout the engine and varies with time during the engine cycle. LeRC combines the continuity, energy equation and equation of state into one equation.

$$\frac{dT}{dt} = \underbrace{\frac{hA}{mC_p} (T_w - T)}_{\text{heat transfer}} + \underbrace{\frac{w_i}{m} (T_i - T)}_{\text{flow in}} + \underbrace{\frac{w_o}{m} (T_o - T)}_{\text{flow out}} + \underbrace{\frac{V}{mC_p} \frac{dp}{dt}}_{\text{pressure change}} \quad (4-148)$$

This equation indicates that the temperature change in a control volume depends upon heat transfer, flow in and out and pressure change. Equation 4-148 could be solved by first order numerical integration or by higher order techniques such as 4th order Runge-Hutta. LeRC did not use this approach.

LeRC used an approach of separating the three effects and considering them successively instead of simultaneously. From a previous time step they have the masses, temperature and volumes for all 13 gas nodes used. From this they calculate a new common pressure. Using this new pressure and the old pressure and assuming no heat transfer during this stage, they calculate a new temperature for each gas node using the familiar adiabatic compression formula. Next, the volumes of nodes 1 and 13, the expansion and compression space, are changed to the new value based upon the rhombic drive. New masses are calculated for each

control volume. Once the new mass distribution is known, the new flow rates between nodes are calculated from the old and new mass distributions. The new gas temperature is now modified to take into account the gas flow into and out of the control volumes during the time step. During this calculation it is assumed that each regenerator control volume has a temperature gradient across it equal to the parallel metal temperature gradient and that the temperature of the fluid that flows across the boundary is equal to the average temperature of the fluid before it crossed the boundary; heater and cooler control volumes are at the bulk or average temperature throughout. Next, local heat transfer coefficients are calculated based upon the flows. Temperature equilibration with the metal walls and matrix is now calculated for the time of one time step and at constant pressure. An exponential equation is used so that no matter how large the heat transfer coefficient, the gas temperature cannot change more than the ΔT between the wall and the gas. Heat transfer during this equilibration is calculated. In the regenerator nodes heat transfer is used to change the temperature of the metal according to its heat capacity. In the other nodes where the temperature is controlled, the heat transfers are summed to give the basic heat input and heat output. This final temperature set after temperature equilibration along with the new masses and volumes calculated during this time step are now set to be the old ones to start the process for the next time step.

The model is set up to take into account leakage between the buffer space and the working gas volume. LeRE has developed an elaborate method of accelerating convergence of the metal nodes in the regenerator to the steady state temperature. On the final cycle LeRC considers the effect of flow friction to make the pressure in the compression and expansion space different from each other in a way to reduce indicated work per cycle.

To quote Tew (77 b1):

Typically it takes about 10 cycles with regenerator temperature correction before the regenerator metal temperatures steady out. Due to the leakage between the working and buffer spaces, a number of cycles are required for the mass distribution between working and buffer space to settle out. The smaller the leakage rate, the longer the time required for the mass distribution to reach steady-state. For the range of leakage rates considered thus far it takes longer for the mass distribution to steady-out than for the regenerator metal temperatures to settle out. Current procedure is to turn the metal temperature convergence scheme on at the 5th cycle and off at the 15th cycle. The model is then allowed to run for 15 to 25 more cycles to allow the mass distribution to settle out. When a sufficient number of cycles have been completed for steady operation to be achieved, the run is terminated.

Current computing time is about 5 minutes for 50 cycles on a UNIVAC 1100 or 0.1 minute per cycle. This is based on 1000 iterations per cycle or a time increment of 2×10^{-5} seconds when the engine frequency is 50 Hz. The number of iterations per cycle (and therefore computing time) can be reduced by at

least a factor of 5 at the expense of accuracy of solution; on the order of 10% increase in power and efficiency results when iterations per cycle are reduced to 200.

4.4.4 Conclusions on Third Order Design Methods

1. A number of well constructed third order design methods are or will soon be available.
2. A choice is available between rigorous 3rd order (Urieli, Schock, Vanderbrug), 3rd order ignoring fluid inertia (Finkelstein) and 3rd order assuming a common pressure (LeRC).
3. There is a spectrum of design methods reaching from the simplest first order through simple and complex second order culminating in rigorous 3rd order analysis. However, all these methods depend upon heat transfer and fluid flow correlations based upon steady flow instead of periodic flow, because correlations of periodic flow heat transfer and flow friction which should be used have not been generated.
5. Third order analysis can be used to compute flows and temperatures inside the engine which cannot be measured in practice.
6. Third order analysis can be used to develop simple equations to be used in second order analysis.
7. Eventually when all calculation procedures are perfected to agree as well as possible with valid tests of Stirling engines, third order design methods will be the most accurate and also the longest. The most rigorous formulations of third order will be much longer and more accurate than the least rigorous formulations.

5. COMPARISON OF THEORY WITH EXPERIMENT

Among conventional engines with tubular heaters and coolers and porous regenerators, there are only three engines that are well enough known and accurately enough measured to be considered:

1. The Allison Stirling engine
2. The MIT cooling engine
3. The GPU-3 engine

Each one of these will now be described and the comparisons given in the literature will be made.

5.1 Allison Engine

Qvale (67 n) gives the most complete specification of the Allison Model PD-67A engine (62 n). These are:

Phase angle between two volumes $= \beta = -118^\circ$

Engine speed 3000 rpm (50 Hz)

V_{AH} = amplitude of sinusoidal volume variation in hot space
 $= 2.475 \text{ in}^3 = 40.56 \text{ cm}^3$

V_{AC} = amplitude of sinusoidal volume variation in cold space
 $= 2.33 \text{ in}^3 = 38.18 \text{ cm}^3$

V_C = dead volume of cold heat exchanger and ducting and clearance
 $= 1.715 \text{ in}^3 = 28.10 \text{ cm}^3$ (ducting and clearance accounts for
 $1.215 \text{ in}^3 = 19.91 \text{ cm}^3$)

V_R = regenerator dead volume $= 4.388 \text{ in}^3 = 71.91 \text{ cm}^3$ (this
includes 0.488 in^3 on one side and 0.55 in^3 on the other side
of the regenerator)

V_H = dead volume of hot heat exchanger and ducting and clearance
 $= 2.59 \text{ in}^3 = 42.44 \text{ cm}^3$ (includes $1.29 \text{ in}^3 = 21.14 \text{ cm}^3$ from
the hot volume)

Surface Temperature - Hot = 1680 R = 933.3 K
Cold = 628 R = 348.9 K

Working gas - Helium

Mean pressure = 1544 psia = 10.64 MPa

Cold heat exchangers

number of tubes = 152

ID of tubes = 0.040 in = 0.102 cm

length of tubes = 2.6 in = 6.6 cm

Regenerators -

matrix: screen stack

wire diameter = 0.0016 in = 0.0041 cm

mesh = 250/inch = 98.4/cm

filler factor = 0.31

length = 0.8 in = 2.0 cm

cross sectional area of all regenerators = 6.24 in^2
 $= 40.26 \text{ cm}^2$

number of regenerators not known

Hot heat exchanger

number of tubes = 76

inner tube diameter = 0.060 in = 0.152 cm —

length = 6.0 in = 15.2 cm

Allison built two engines which differed only in the phase angle between the two volumes. One was 118°, and one was 112°. Qvale analyzed the engine performance according to his methods (67 n, 68 m) and showed the agreement given in Figure 5-1 and 5-2. Qvale (67 n) also gives a breakdown of the predicted losses and the experimental uncertainties. These are given in Table 5-1.

5.2 MIT Cooling Engine

Rios (69 ar, 69 o) built a cooling engine and made performance measurements on it. Since it used tubular heat exchangers and porous solid regenerators, it is of interest to large Stirling engine designers.

The dimensions of this engine are as follows:

Warm cylinder

diameter: 2.0 in 5.08 cm

stroke: 3.0 in 6.62 cm

con. rod length: 14.4 in 36.6 cm

end clearance: 0.010 in 0.025 cm

Warm exchanger

number of tubes: 210

outside diameter: 0.047 in 0.119 cm

wall thickness: 0.008 in 0.020 cm

tube material: 304 stainless

average length: 21.5 in 54.6 cm

(bent in quarter circle)

Regenerator

shell inside diameter: 2.065 in 5.245 cm

shell wall thickness: 0.030 in 0.076 cm

shell length: 3.4 in 8.6 cm

shell material: stainless steel

matrix: copper-nickel/spheroidal powder

ave. diam. of powder: 0.010 in 0.025 cm

porosity: 0.39

matrix retainers: 100 mesh screens at each end

Cold exchanger

number of tubes: 231

outside diameter: 0.047 in 0.119 cm

wall thickness: 0.008 in 0.020 cm

tube material: 304 stainless steel

length: 9.4 in 23.9 cm

Cold cylinder

diameter: 1.625 in 4.128 cm

stroke: 2.5 in 6.4 cm

con. rod length: 12.0 in 30.5 cm

cold cap length: 7.19 in 18.3 cm

cold cap clearance: 0.004 in 0.010 cm

cold cap material: linen-filled micarta

end clearance: 0.010 in 0.025 cm

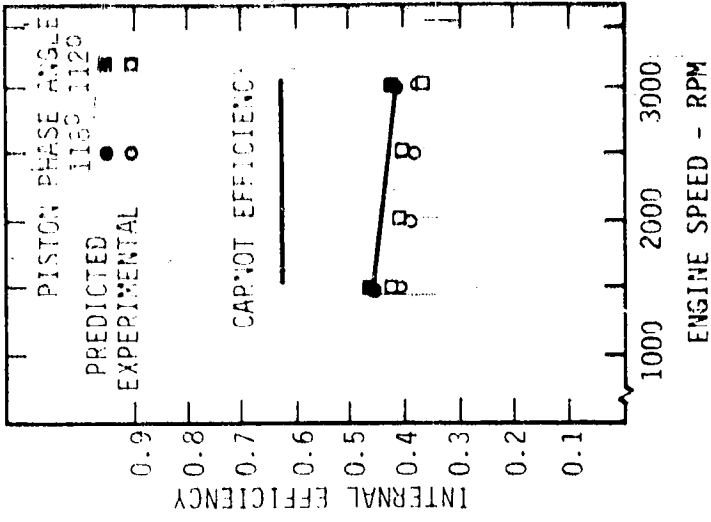


Figure 5-2. Internal Efficiency Data for Allison PD-67A Stirling Engine.

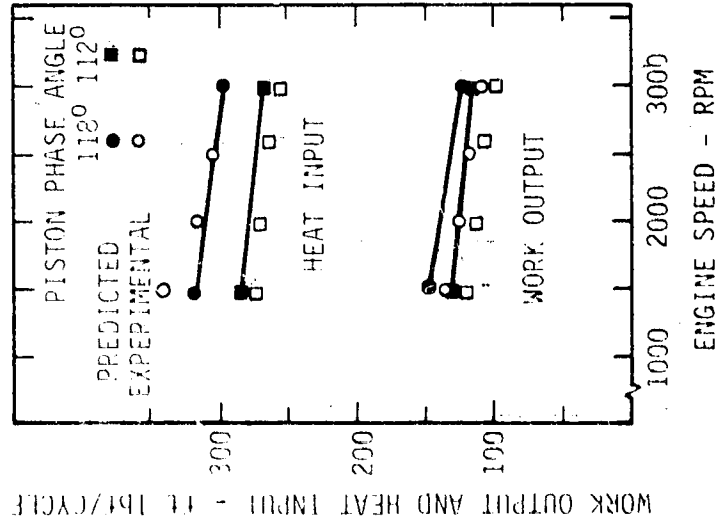


Figure 5-1. Heat Input and Work Output for Allison PD-67A Stirling Engine.

Table 5.1

Breakdown of Losses and Powers for the Allison
Model PD-67A Engine with 118° Phase Angle

Operating Conditions		
Speed	3000 rpm	50 Hz
Heat source temperature	1680 R	933.3 K
Heat sink temperature	628 R	348.9 K
Mean gas pressure	1544 psia	10.64 MPa
Work Output		
Basic work, hot cylinder corrected for heat exchanger performance	285 ft lbf/rev 283	386.5 J/rev 383.7
Basic work, cold cylinder corrected for heat exchanger performance	122.5 125.5	166.1 170.2
Net basic work	<u>157.5</u>	<u>213.6</u>
Flow losses - cooler	8.8	11.9
- regenerator	4.1	5.6
- heater	22.6	30.6
	<u>35.5</u>	<u>48.1</u>
Predicted net work (neglecting motoring and leakage losses)	122.0	165.4
Experimental net work	108.5	147.1
Heat Input		
Basic work at hot cylinder corrected for heat exchanger	283.0	383.7
Heat conduction of metal parts	12.6 ft lbf/rev	17.1 J/rev
Regenerator loss	25.6	34.7
Flow loss in hot control volume	-24.7	-33.5
Predicted heat input	<u>296.5</u>	<u>402.1</u>
Experimental heat input	287.0	389.2
Predicted Efficiency	= $\frac{122}{296.5}$	= 0.411
Experimental Efficiency	= $\frac{108.5}{287.0}$	= 0.378
Predicted Pressure Ratio	= 1.80	
Experimental Pressure Ratio	= 1.79	
Experimental Accuracies		
Net work	+ 4%	
Heat Input	+ 4%	
Efficiency	+ 6%	

The warm end crank was driven by an electric motor and it in turn drove the cold end crank by a timing belt. The warm-heat exchanger was water cooled. The cold heat exchanger was covered by a brass shell. An electric heater was soldered to the cold exchanger shell to adjust the load to the refrigerator. Refrigerant boiling out of this space was measured with a rotameter.

Helium was used as a working gas. The filling of the shell of the cold heat exchanger was either nitrogen, Freon 12 or Freon 13. In steady operation the power to the cold-exchanger-shell heater was adjusted to boil the liquid at the same rate that the vapor was condensed on the exchanger tubes. A steady pressure in the cold exchanger shell indicated a steady operating temperature.

The basic data taken by Rios were as follows:

1. Indicator diagram for the cold and warm end cylinders and indicator diagrams for the pressure drop. These diagrams provided values for comparison against the model with perfect components and pressure drop losses.
2. Cold exchanger and warm exchanger temperatures. The warm-end temperature was the cooling water outlet, while the cold end temperature was that of the condensed fluid. Difference between inlet and outlet cooling water was negligible.
3. Cold-exchanger-heater power. Provides a direct measurement of the net refrigeration.
4. Refrigerator RPM.
5. Volume variation phase angle.
6. Rate at which gas is vented from cold-exchanger shell.

Rios published the results of 20 data points. These are copied from (69 ar) for the convenience of the reader (see Table 5.2). The following definitions are used in Table 5.2.

$$\text{Windage Power} = \frac{\omega}{2\pi} \oint \delta p dV_c$$

ω = angular velocity, radians/sec

δp = pressure drop through heater regenerator and cooler

dV_c = differential change in cold volumes _____

$$W_c = \frac{\oint p_w dV_c}{(p_w)_{\max} V_{AC}}$$

p_w = instantaneous pressure measured in the warm space

V_c = instantaneous volume of cold space

V_{AC} = cold cylinder volume amplitude _____
 $= (V_{\max} - V_{\min})/2$

$$W_w = \frac{p_w dV_w}{(p_w)_{\max} V_{AW}}$$

where in addition:

V_w = instantaneous volume of warm space, cm^3

V_{AW} = warm cylinder volume amplitude, cm^3

Table 5.2
Summary of Rios' Data (69 ar)

Test No.	T _C F	T _W F	Phase Angle °	Vapor around cold HX	Speed RPM	Refrig. Load Watts
1	- 14.5	42.0	62.0	Freon 12	326	91.0
2	- 6.0	41.5	89.5	Freon 12	326	111.6
3	- 11.0	42.0	102.0	Freon 12	326	98.0
4	- 12.5	41.0	76.0	Freon 12	326	86.0
5	-163.3	38.5	75.0	Freon 13	325	86.6
6	-163.3	37.5	88.5	Freon 13	325	93.0
7	-167.3	38.5	101.5	Freon 13	325	101.5
8	-162.0	38.5	62.0	Freon 13	325	76.0
9	-162.0	38.5	61.0	Freon 13	483	93.6
10	-164.7	37.5	74.0	Freon 13	483	120.0
11	-164.0	37.5	87.5	Freon 13	483	125.0
12	-164.0	37.5	101.0	Freon 13	483	108.0
13	-317.2	38.3	87.0	Nitrogen	480	48.5
14	-315.4	38.3	73.5	Nitrogen	480	44.0
15	-314.2	38.3	101.0	Nitrogen	481	0.0
16	-311.6	36.3	61.5	Nitrogen	485	*
17	-313.0	36.0	87.5	Nitrogen	325	29.5
18	-316.2	37.0	101.0	Nitrogen	325	0.0
19	-316.8	38.3	75.0	Nitrogen	325	0.0
20	-311.2	38.3	62.0	Nitrogen	325	0.0

Table 5.2 Continued

Test No.	$\frac{\omega}{2\pi} \oint \delta P dV_c$ (watts)	W_c	$-W_w$	P_{max} psia	P_{min} psia	r_p
1	11.1	0.521	0.432	176.4	73.6	2.41
2	20.0	0.601	0.496	177.1	91.8	1.93
3	24.4	0.637	0.525	160.6	83.7	1.92
4	15.7	0.571	0.486	165.9	75.8	2.18
5	17.0	0.441	0.625	289.1	124.1	2.33
6	21.8	0.480	0.667	262.1	123.8	2.12
7	28.6	0.496	0.641	257.6	131.5	1.95
8	22.9	0.388	0.580	279.9	117.2	2.38
9	31.4	0.377	0.589	228.0	87.5	2.61
10	42.0	0.439	0.638	242.7	100.0	2.43
11	57.6	0.499	0.681	226.4	103.5	2.18
12	72.2	0.519	0.619	220.9	108.7	2.04
13	74.6	0.325	0.806	313.0	131.7	2.38
14	56.4	0.299	0.750	321.7	125.3	2.56
15	76.9	0.366	0.827	224.2	96.5	2.33
16	26.5	0.279	0.710	169.8	62.0	2.74
17	23.4	0.320	0.722	301.0	133.3	2.26
18	29.4	0.336	0.799	269.9	125.8	2.14
19	17.2	0.286	0.760	298.6	122.0	2.45
20	38.6	0.280	0.672	308.7	120.5	2.56

Static heat leak at 1 atm = 39 watts

Static heat leak at 2.0 torr = 25 watts

* venting nitrogen vapor from cold exchanger shell with no load

and finally:

$$r_p = \frac{(p_w)_{\max}}{(p_w)_{\min}}$$

Explanations of the Rios theory were not given in Section 4. During the current effort the author was not able to completely review and become familiar with it. However, he now has the computer program and one might be able to use it without really understanding it. Rios claims very close agreement between his theory and experiment. In Figures 5-3, 5-4 and 5-5 the points are the experimental points from Table 5-2. The lines are calculated by his computer program. These results show very good agreement at almost every point. The parameters used in the captions in Figures 5-3 to 5-5 are defined as follows:

- r_{VI}^* = displaced-mass ratio = $V_{AC} T_w^* / V_{AW} T_C^*$
- T = heat exchange temperature, absolute degrees
- $V_D = m_D R T_w^* / p V_{AW}$ = reduced dead volume
- m_D = mass of gas in dead space, grams
- R = gas constant, J/g K
- p = instantaneous pressure, MPa
- r_{cs} = ratio of connecting rod length to one-half the stroke

The quantity V_D is given as a constant although both m_D and p vary during the cycle. If the dead volume gas temperatures do not change, m_D is proportional to p and V_D would be a constant. This needs to be discussed. The quantity r_{cs} is given as 4.8. But in appendix G of the Rios thesis (69 ar) the ratio for the connecting rod length to the full stroke is 4.8. Rios writes that the latter is correct.

Measured and calculated pressure drops are given for Rios' 20 data points (see Table 5.3 and Figure 5.6). Good agreement is shown although there is increased scatter at the lower values.

5.3 The GPU-3 Engine

This engine is described in detail in Section 3.3. Figures 3-24 and 3-25 show that the efficiency and engine power now at NASA-Lewis are about as good as they were when the engine was first tested at Ft. Belvoir by the U.S. Army. Eight test points are given in Table 3-8. It is planned that the various ways of computing Stirling engine performance will be compared with experimental measurements now being made with the engine.

Table 5-4 shows the computed results using the NASA-Lewis 3rd order calculation procedure explained in Section 4.4.

Table 5-5 shows the computed results using the 2nd order calculation procedure given in Section 7. Both Table 5-4 and Table 5-5 give a detailed breakdown of the basic powers and heat inputs along with an itemized list of the losses in approximately the same format. Table 5-6 compares the indicated power output and the indicated efficiency obtained from the two methods of computation. Note

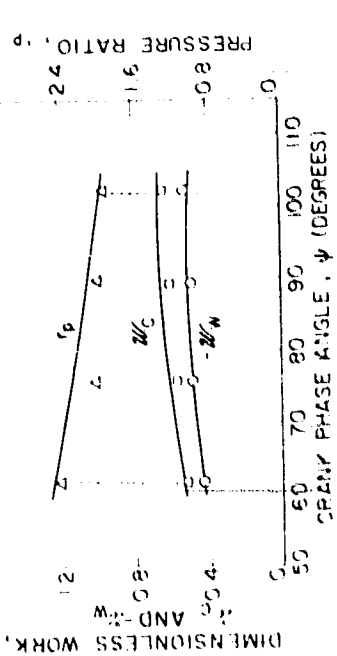


Fig. 5-3. Dimensionless cold work W_C , warm work W_H , and pressure ratio r_p , for $r_{VT} = 0.62$, $U_D = 2.14$, $r_{CS} = 4.8$ at 325 rpm using helium

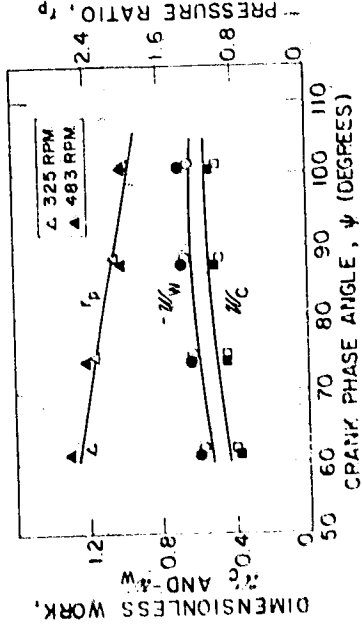


Fig. 5-4. Dimensionless cold work W_C , warm work W_H , and pressure ratio r_p , for $r_{VT} = 0.92$, $U_D = 2.54$, $r_{CS} = 4.8$ using helium

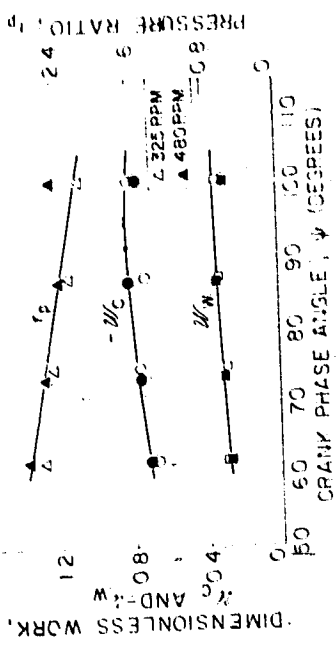


Fig. 5-5. Dimensionless cold work W_C , warm work W_H , and pressure ratio r_p , for $r_{VT} = 1.87$, $U_D = 3.48$, $r_{CS} = 4.8$ using helium.

Table 5-3. Pressure Drop Loss $\frac{\omega}{2\pi} \int \delta p dV_C$

Test No.	T_C (deg F)	ψ (deg)	Speed (RPM)	Calculated loss (Watts)	Measured loss (Watts)
1	-14.3	62.0	326	12.8	11.1
2	-6.0	63.5	326	19.3	20.0
3	-11.0	152.0	326	26.6	24.4
4	-12.5	76.0	326	17.7	15.7
5	-163.3	75.0	325	14.5	17.0
6	-163.3	88.5	325	20.7	21.8
7	-167.3	101.5	325	27.5	28.6
8	-162.0	62.0	325	8.4	22.9
9	-162.0	62.0	483	20.5	31.4
10	-164.7	74.0	483	34.4	42.0
11	-164.0	87.5	483	43.2	57.6
12	-164.0	151.0	483	66.8	72.2
13	-217.2	87.0	480	65.6	74.6
14	-225.7	73.5	480	49.8	56.4
15	-214.2	101.0	481	73.4	76.9
16	-211.6	51.5	483	23.9	26.5
17	-213.0	87.5	325	21.9	23.4
18	-216.6	101.0	325	32.0	29.4
19	-216.6	72.0	325	20.0	17.2
20	-211.2	62.0	325	11.7	38.6

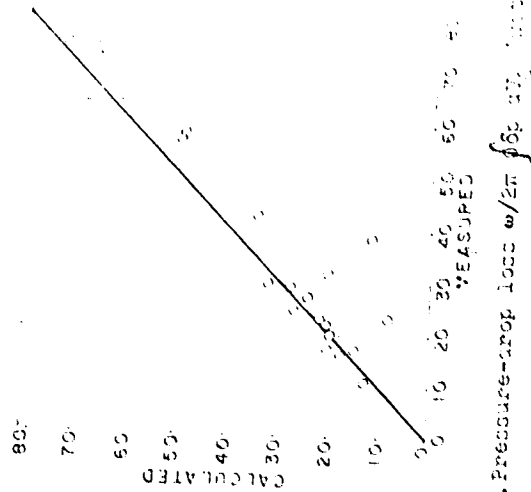


Fig. 5-6. Pressure-drop loss $\frac{\omega}{2\pi} \int \delta p dV_C$ (Watts)

Table 5-4
 LeRC Computed Performance for GPU-3 Test Points
 Heater Average Gas Temperature 978 K (1760 R)
 Cold Metal Temperature 295 K (530 R)

Test Point	1	2	3	4	5	6	7	8
Engine Speed, RPM	1500	2000	2500	3000	3000	1500	3000	1500
Hz	25	33.33	41.67	50	50	25	50	25
Mean Pressure, MPa	2.068	2.068	2.068	2.068	4.136	4.136	2.758	2.758
psia	300	300	300	300	600	600	400	400
Power, watts (HP)								
Basic (indicated + windage)	2163 (2.90)	2968 (3.98)	3758 (5.04)	4541 (6.09)	8650 (11.6)	4347 (5.83)	5824 (7.81)	2938 (3.94)
Total Flow Friction (heater + regenerator + cooler + end effects)	44.7 (.06)	96.9 (.13)	179 (.24)	298 (.40)	1044 (1.4)	157 (.21)	783 (1.05)	119 (.16)
Indicated Power	2118 (2.84)	2871 (3.85)	3579 (4.80)	4253 (5.69)	7606 (10.2)	4191 (5.62)	5041 (6.76)	2819 (3.78)
Mech. Friction (.2xBasic)	432 (.58)	597 (.80)	753 (1.01)	910 (1.22)	1730 (2.32)	872 (1.17)	1163 (1.56)	589 (.79)
Brake Power	1685 (2.26)	2274 (3.05)	2826 (3.79)	3333 (4.47)	5876 (7.88)	3318 (4.45)	3878 (5.2)	2230 (2.99)
Heat Input, watts (HP)								
Basic (includes everything except shuttle loss, static conduction and windage credit)	4004 (5.37)	5391 (7.23)	6786 (9.10)	8158 (10.94)	16629 (22.30)	8322 (11.16)	11051 (14.82)	5563 (7.46)
Shuttle Loss	410 (.55)	410 (.55)	410 (.55)	410 (.55)	336 (.45)	336 (.45)	336 (.45)	336 (.45)
Static Conduction	1044 (1.40)	1044 (1.40)	1044 (1.40)	1044 (1.40)	1044 (1.40)	1044 (1.40)	1044 (1.40)	1044 (1.40)
Windage Credit (total windage loss/2)	-22.4 (-.03)	-44.7 (-.06)	-89.5 (-.12)	-149 (-.20)	-522 (-.70)	-74.6 (-.10)	-388 (-.52)	-59.7 (-.08)
Net Heat Input, watts (HP)	5436 (7.29)	6801 (9.12)	8151 (10.93)	9463 (12.69)	17561 (23.45)	9702 (12.91)	12118 (16.15)	6957 (9.23)
Brake Efficiency (%)	31.0	33.4	34.7	35.2	33.6	34.5	32.2	32.4
Indicated Efficiency (%)	39.0	42.2	43.9	44.8	43.5	43.5	41.9	41.0
Temperatures, K (R)								
Time averaged gas temperature in heater (Point 5, Fig. 3-27)	979 (1762)	979 (1762)	979 (1762)	979 (1762)	979 (1762)	978 (1760)	975 (1755)	978 (1760)
Cold Metal	294 (530)	294 (530)	294 (530)	294 (530)	294 (530)	294 (530)	294 (530)	294 (530)

REPRODUCIBILITY OF THE
 ORIGINAL PAGE IS POOR

Table 5-5
 Computed Performance for GPU-3 Test Points
 Hot Gas Temp. 978 K (1300 F)
 Cooler Temperature 295 K (70 F)
 Cooling Water Flow, 6 GPM

Test Point	1	2	3	4	5	6	7	8
Working Fluid	H ₂	H ₂	H ₂	H ₂	He	He	He	He
Engine Speed, RPM	1500	2000	2500	3000	3000	1500	3000	1500
Hz	25	33.33	41.67	50	50	25	50	25
Mean Pressure, MPa	2.068	2.068	2.068	2.068	4.136	4.136	2.758	2.758
psia	300	300	300	300	600	600	400	400
Power, watts								
Basic Power Output, BP	2287	3113	3940	4742	9405	4736	6293	3067
Flow Friction Heater, WPH	12	26	49	82	289	41	209	30
Flow Friction Regen., WPR	93	169	267	389	912	217	880	211
Flow Friction Cooler, WPC	2	4	7	11	39	6	28	4
Indicated Power, IP	2180	2914	3617	4260	8165	4472	5176	2822
Mechanical Friction, MFL	457	623	788	949	1882	947	1259	613
Brake Power, NP	1723	2291	2829	3311	6283	3525	3917	2209
Heat Input, watts								
Basic, BHI	3415	4603	5791	6960	13860	6957	9259	4566
Reheat Loss, QRH	104	156	214	277	337	126	191	72
Shuttle Loss, QSH	449	448	447	445	379	381	379	381
Static Conduction, QS	1118	1118	1118	1118	1108	1108	1108	1108
Pumping Loss, QPU	14	22	31	41	79	26	42	14
Temp. Swing, QTS	52	69	87	104	146	73	65	33
Internal T.S., QITS	0	0	0	1	1	0	0	0
Heater Friction Credit, WPH	-12	-26	-49	-82	-289	-41	-209	-30
Half Regen. W. Credit, WPR/2	-47	-85	-134	-195	-456	-109	-440	-106
Net Heat Input, QN, watts	5102	6305	7505	8769	15165	8521	10395	6049
Brake Efficiency, %	33.8	36.3	37.7	37.8	41.4	41.4	37.7	36.5
Indicated Efficiency, %	42.7	46.2	48.2	48.6	53.8	52.5	49.8	46.7
Temperatures, K								
Hot Metal					not calculated			
Effective Hot Space	978	978	978	978	978	978	978	978
Regenerator	570	570	570	570	570	570	570	570
Effective Cold Space	323.33	316.55	312.62	311.66	314.30	312.07	313.24	321.25
Cold Metal	295.48	295.70	295.93	296.17	297.41	296.02	296.66	295.66

Table 5-6
 Comparisons of Indicated Power Output and
 Indicated Efficiency for GPU-3 Test Points

Test Point	1	2	3	4	5	6	7	8
Working Fluid	H ₂	H ₂	H ₂	H ₂	He	He	He	He
Engine Speed, RPM	1500	2000	2500	3000	3000	1500	3000	1500
Hz	25	33.33	41.67	50	50	25	50	25
Mean Pressure, MPa	2.068	2.068	2.068	2.068	4.136	4.136	2.758	2.758
psia	300	300	300	300	600	600	400	400
Indicated Power, watts								
LeRC	2118	2871	3579	4253	7606	4191	5041	2819
Sec. 7	2180	2914	3617	4260	8165	4472	5176	2822
Indicated Efficiency, %								
LeRC	39.0	42.2	43.9	44.8	43.5	43.5	41.9	41.0
Sec. 7	42.7	46.2	48.2	48.6	53.8	52.5	49.8	46.7

that agreement is usually good between the two calculation methods for low engine speed (25 Hz). As speed increases the second order design method described in Section 7 predicts a higher rate of increase in power than the third order calculation procedure formulated by LeRC and described in Section 4-4.

At this point, no experimental measurements have been received. It will be very interesting to see how they compare with these predictions.

PRODUCTIVITY OF THE
 ORIGINATED AS TOOL

6. AUXILIARY STIRLING ENGINE DESIGN PROBLEMS

More than is usually the case for engine design, the design of a proper Stirling engine requires the close and interactive cooperation among 1) the engine thermodynamicists who figure the power output and heat input for a particular engine configuration, 2) the mechanical designer who works out the seals and the mechanisms that operate the pistons and the displacer, 3) the designers who add required components, such as the burner and air preheater, starting motor, power control system, transmission system, etc., and 4) the manufacturing engineer who determines whether the machine as designed can be built so as to be sold for an attractive price in the market place.

Discussion of the various Stirling engine component design problems falls outside the scope of the present effort. Some of these problems were discussed briefly in Section 2 and Section 3. The subject index to the references (Table 8-5) can give the reader access to pertinent literature.

7. SAMPLE DESIGN PROCEDURE

As was discussed in Section 4, first order design procedures are useful to give a preliminary indication of how a Stirling engine designed by experts can be applied in a new situation.

A good second order design procedure can be used to design a Stirling engine from scratch. The simplifying assumptions that are made have been found by comparison with some small engine tests to lead to reasonable accurate predictions over a usable range of engine operating conditions. A second order design procedure is simple enough to be done a few times by hand. The procedure can be incorporated in a computerized search routine to search out the best design out of many thousands of possible designs.

Third order design procedures are much more realistic but also much more laborious. Even the simplest procedure requires the use of a large computer. Third order procedures will be useful for studying in detail the performance of a given engine. If proved valid by agreement with experimental measurements it can provide valuable insight to how the engine functions by providing much information that cannot be measured reliably. Specifically, third order procedures have the following uses:

1. Third order model predictions of how internal engine variable change over the cycle could help improve simple equations used to calculate losses and powers in second order procedures.
2. Third order calculations are needed to assess the limits of the observation that for normal engines, the assumption of isothermal hot and cold spaces gives the same basic power as the assumption of adiabatic hot and cold spaces.
3. A third order kind of mathematical model would be needed to calculate the effect of engine imperfections such as non-uniform temperature distributions in heater head and flow maldistributions.
4. The most rigorous third order model produced by Urieli (77 af), by Schock, (no reference), and by Vanderbrug (77 ae) can be used to show how significant the effects of fluid inertia and pressure wave dynamics are in a particular case. Puzzling performance might be explained only when the most rigorous third order model is employed. Comparison of these rigorous models with simpler third order models like the LeRC model (77 b1) and to second order models could lead to rules to determine the limits for each method.

The procedure outlined in this section is second order. A less complete version of this procedure has been used by the author to calculate artificial heart engines. Equations have been added to quantify loss mechanisms found important in cooling engines. The procedure has been broadened to apply to crank operated machine and machines using many different types of heat exchangers and regenerators. This procedure is not published elsewhere. At this point it is not known whether this procedure is a "good" procedure because it has not as yet been checked out by comparison with experimental measurements of large engines.

The procedures outlined in this section will start with engine dimensions and operating conditions and proceed to calculate the input heat requirement and the output power. The procedure uses the equations described in Sections 4.2 and 4.3. Section 7.1 gives the blank design forms adapted to a number of different kind of engine designs. It is also adapted to the use of helium, hydrogen or air as the working fluid. Air has not been used recently in large power engines, however, some designers may want to consider it for simple engines. Section 7.2 uses the design form from Section 7.1 to calculate the performance of operating point 1 on Table 3-8.

7.1 Stirling Engine Design Form -- W. R. Martini, October, 1977

1. Type of Piston Arrangement

1.1 Alpha: Dual Piston

DE = diameter of expansion, hot, piston _____ cm.

SE = stroke of expansion piston _____ cm.

DC = diameter of compression, cold, piston _____ cm.

SC = stroke of compression piston _____ cm.

1.2 Beta: Displacer-Piston Overlapping Strokes

DCY = diameter of engine cylinder _____ cm.

SD = stroke of displacer _____ cm.

SP = stroke of power piston _____ cm.

DDR = diameter of displacer drive rod _____ cm.

1.3 Gamma: Displacer and Piston in Separate Cylinders

DD = diameter of displacer cylinder _____ cm.

SD = stroke of displacer _____ cm.

DP = diameter of power piston cylinder _____ cm.

SP = stroke of power piston _____ cm.

DDR = diameter of displacer driver rod _____ cm.

2. Dead Volumes and Heat Exchangers and Wall Thicknesses

2.1 Volumes and Heat Exchangers at Heat Source Temperature

VHDX = extra hot dead volume besides that in the gas heater
_____ cm³.

2.1.1 Tubular Gas Heater

NTH = number of heater tubes per power unit _____.

LH = total length of each heater tube _____ cm.

LHHT = heated length of each heater tube _____ cm.

DIH = inside diameter of heater tubes _____ cm.

DOH = outside diameter of heater tubes _____ cm.

2.1.2 Annular Gap Gas Heater

LHHT = heated length of heater surface _____ cm.

GH = single annulus heater gap thickness _____ cm.

2.1.3 Nesting Cone Isothermalizer

NC = number of cones on piston or displacer _____.

DCI = diameter of cone at base _____ cm.

LCl = length of cone _____ cm.

SCL = stroke clearance _____ cm.

2.2 Volumes at Regenerator Temperature

2.2.1 Screen Regenerators

LR = length of regenerator _____ cm.

NR = number of regenerators/unit _____.

DR = diameter of each regenerator _____ cm.

NS = number of screen layers _____.

MSH = mesh size _____ wires/cm.

THW = thickness of wire in screens _____ cm.

FF = filler factor, fraction of regenerator volume
filled with wires _____.

Screen material _____.

2.2.2 Slot Regenerators

LR = length of regenerator _____ cm.

GR = regenerator gap thickness _____ cm.

AF = free flow area through regenerator _____ cm².

THF = thickness of foil separating gaps _____ cm.

2.2.3 Displacer or Hot Cap Gap Volume

LD = length of displacer _____ cm.

DCY = diameter of cylinder around displacer _____ cm.

GR = gap between displacer and cylinder wall _____ cm.

Displacer wall material _____.

Cylinder wall material _____.

WT1 = wall thickness of displacer, _____ cm.

WT2 = wall thickness of cylinder wall _____ cm.

EH = emissivity of hot surface inside of displacer or hot cap
_____.

EC = emissivity of cold surface inside of displacer or hot
cap _____.

NRS = number of radiation shields inside the displacer
or hot cap _____.

2.3 Volumes and Heat Exchangers at Heat Sink Temperature

VCDX = extra cold dead volume besides that in the gas cooler
_____ cm³.

2.3.1 Tubular Gas Cooler

NTC = number of cooler tubes per power unit _____.

LC = total length of each cooler tube _____ cm.

LCHT = cooled length of each cooler tube _____ cm.

DIC = inside diameter of cooler tubes _____ cm.

DOC = outside diameter of cooler tubes _____ cm.

2.3.2 Annular Gap Gas Cooler

LCHT = cooled length of cooler surface _____ cm.

GC = single annulus cooler gap thickness _____ cm.

2.3.3 Nesting Cone Isothermalizer

NC = number of cones on piston or displacer _____.

DC1 = diameter of cone at base _____ cm.

LCL = length of cone _____ cm.

SCL = stroke clearance _____ cm.

2.4 Regenerator Wall Dimensions (see Figure 4-24)

AHTH = heat conduction area at hot end _____ cm².

AHTB = heat conduction area at level B _____ cm².

AHTA = heat conduction area at level A _____ cm².

AHTC = heat conduction area at cold end _____ cm².

LHB = hot length regenerator wall _____ cm.

LBA = middle length regenerator wall _____ cm.

LAC = cold length regenerator wall _____ cm.

Regenerator wall material _____.

Temp K	Thermal Conductivity
THM = _____	KMH = _____ w/cm•K
TB = _____ (est.)	KMB = _____
TA = _____ (est.)	KMA = _____
TCM = _____	KMC = _____

2.5 Cylinder Wall Dimensions (see Figure 4-23)

AHTH = heat conduction area at hot end _____ cm².

AHTB = heat conduction area at level B _____ cm².

AHTA = heat conduction area at level A _____ cm².

AHTC = heat conduction area at cold end _____ cm².

LHB = hot length regenerator wall _____ cm.

LBA = middle length regenerator wall _____ cm.

LAC = cold length regenerator wall _____ cm.

Cylinder wall material _____.

Level Temp K	Thermal Conductivity
--------------	----------------------

THM = _____	KMH = _____ w/cm·K
-------------	--------------------

TB = _____ (est)	KMB = _____
------------------	-------------

TA = _____ (est)	KMA = _____
------------------	-------------

TCM = _____	KMC = _____
-------------	-------------

3. Drives

N = Number of power units/engine _____.

3.1 Alpha - Swashplate (Ford-Philips)

ALPH = phase angle (usually 90°) _____ °.

3.2 Alpha - Crank (United Stirling)

LCR = connecting rod length _____ cm

RC = crank radius _____ cm.

ALPH = phase angle (usually 90°) _____ °.

3.3 Beta-Rhombic Drive

LCR = connecting rod length _____ cm.

RC = crank radius _____ cm.

ECC = crank eccentricity (see Figure 4-15) _____ cm.

3.4 Beta or Gamma - Crank

LCRP = length of power piston connecting rod _____ cm.

RCP = crank radius for power piston _____ cm.

LCRD = length of displacer connecting rod _____ cm.

RCD = crank radius for displacer _____ cm.

ALPH = crank angle _____^o, usually about 90^o.

3.5 Beta or Gamma - Scotch Yoke or other SHM Linkage

ALPH = crank angle _____^o.

4. Given Operating Conditions -

TC = effective temperature in cold, compression space _____ K.

$$K = C + 273.1$$

Make initial
estimate

$$K = (F + 460)/1.8$$

TH = effective temperature in hot, expansion space,
initial estimate or measurement _____ K.

FCW = cooling water flow _____ g/sec.

TCWI = Temperature of cooling water into engine _____ K.

NU = engine frequency _____ HZ.

$$(HZ = RPM/60)$$

P_{MAX} = maximum engine pressure _____ MPa.

$$MPa = 0.006894 (psia)$$

$$= 0.1013 (atm)$$

P_{AVG} = time averaged mean pressure _____ MPa.

THM = heat source metal temperature _____ K.

TCM = heat sink metal temperature _____ K.

Working Gas _____

5. Computation of Engine Volumes

5.1 Live Volumes

VHL = hot live volume, cm^3 for alpha dual piston, SHM,
(simple harmonic motion)

$$= \frac{\pi}{4} (DE)^2 (SE) = \frac{\pi}{4} (\quad)^2 (\quad) = \underline{\hspace{2cm}} \text{cm}^3.$$

for beta, SHM

$$= \frac{\pi}{4} (DCY)^2 (SD) = \frac{\pi}{4} (\quad)^2 (\quad) = \underline{\hspace{2cm}} \text{cm}^3.$$

for gamma, SHM

$$= \frac{\pi}{4} (DD)^2 (SD) = \frac{\pi}{4} (\quad)^2 (\quad) = \underline{\hspace{2cm}} \text{cm}^3.$$

Note: Live volumes for crank and rhombic drives will
need not be calculated.

VCL = cold live volume, cm^3

for alpha, SHM

$$= \frac{\pi}{4} (DC)^2 (SC) = \frac{\pi}{4} (\quad)^2 (\quad) = \underline{\hspace{2cm}} \text{cm}^3.$$

for beta or gamma, SHM

$$= \frac{\pi}{4} (DD^2 - DDR^2)SD = \frac{\pi}{4} (\quad^2 - \quad^2) \times (\quad) = \underline{\hspace{2cm}} \text{cm}^3.$$

VPL = power piston live volume, cm^3

for gamma, SHM

$$= \frac{\pi}{4} (DP)^2 (SP) = \frac{\pi}{4} (\quad)^2 (\quad) = \underline{\hspace{2cm}} \text{cm}^3.$$

5.2 Dead Volumes

VHD = hot dead volume, cm^3

for tubular gas heater

$$= \text{VHDX} + \frac{\pi}{4} (\text{DIH})^2 (\text{LH})(\text{NTH})$$

$$= \text{_____} + \frac{\pi}{4} (\text{_____})^2 (\text{_____}) (\text{_____}) = \text{_____} \text{ cm}^3.$$

for annular gap gas heater

$$= \text{VHDX} + \pi(\text{DCY or DD})(\text{LHHT})(\text{GH})$$

$$= \text{_____} + \pi(\text{_____}) (\text{_____}) (\text{_____}) = \text{_____} \text{ cm}^3.$$

for nesting cone isothermalizer

$$= \text{VHDX} + \frac{\pi}{4}(\text{DE or DCY or DD})^2(\text{SCL})$$

$$= \text{_____} + \frac{\pi}{4} (\text{_____})^2 (\text{_____}) = \text{_____} \text{ cm}^3.$$

VRD = regenerator dead volume, cm^3 .

for screen regenerators, short calculation

$$\text{VRD} = \text{NR} \left(\frac{\pi}{4} \right) (\text{DR})^2 (\text{LR}) (1 - \text{FF})$$

$$= (\text{_____}) \frac{\pi}{4} (\text{_____})^2 (\text{_____}) (1 - \text{_____}) = \text{_____} \text{ cm}^3.$$

for screen regenerators, long calculation

$$\text{VRD} = \text{NR} \left(\frac{\pi}{4} \right) (\text{DR})^2 \left[(\text{LR}) - \frac{\pi}{2} (\text{NS})(\text{MSH})(\text{THW})^2 \right]$$

$$= (\text{_____}) \frac{\pi}{4} (\text{_____})^2 \left[\text{_____} - \frac{\pi}{2} (\text{_____}) (\text{_____}) (\text{_____})^2 \right] = \text{_____} \text{ cm}^3.$$

for slot regenerators

$$\text{VRD} = \text{AF}(\text{LR}) = \text{_____} (\text{_____}) = \text{_____} \text{ cm}^3.$$

for alpha or gamma type
VCD = cold dead volume

for tubular gas coolers

$$\text{VCD} = \text{VCDX} + \frac{\pi}{4}(\text{DIC})^2(\text{LC})(\text{NTC})$$

$$= \text{_____} + \frac{\pi}{4} (\text{_____})^2 (\text{_____}) (\text{_____}) = \text{_____} \text{ cm}^3.$$

for annular gap gas cooler

$$\text{VCD} = \text{VCDX} + \pi(\text{DCY or DD})(\text{LCHT})(\text{GC})$$

$$= \text{_____} + \pi (\text{_____}) (\text{_____}) (\text{_____}) = \text{_____} \text{ cm}^3.$$

for nesting cone isothermalizer

$$= VCDX + \frac{\pi}{4} (DE \text{ or } DCY \text{ or } DD)^2 (SCL)$$

$$= \underline{\hspace{2cm}} + \frac{\pi}{4} (\underline{\hspace{2cm}})^2 (\underline{\hspace{2cm}}) = \underline{\hspace{2cm}} \text{ cm}^3.$$

For beta type, ALPH = 90°
 VCDHX = VCD, calculated above

$$VCD \equiv VCDHX - VCL \left(1 - \frac{\sqrt{2}}{2}\right)$$

6. General Intermediate Parameters

$$TAU = TC/TH = (\underline{\hspace{2cm}}) / (\underline{\hspace{2cm}}) = \underline{\hspace{2cm}}$$

$$TR = (THM - TCM) / \ln(THM/TCM) = \underline{\hspace{2cm}}$$

$$= (\underline{\hspace{2cm}} - \underline{\hspace{2cm}}) / \ln(\underline{\hspace{2cm}} / \underline{\hspace{2cm}}) = \underline{\hspace{2cm}} \text{ K}$$

$$KAP = VCL/VHL = \underline{\hspace{2cm}} / \underline{\hspace{2cm}} = \underline{\hspace{2cm}}$$

$$S = \frac{TC}{VHL} \left(\frac{VHD}{TH} + \frac{VRD}{TR} + \frac{VCD}{TC} \right)$$

$$= \underline{\hspace{2cm}} (\underline{\hspace{2cm}} + \underline{\hspace{2cm}} + \underline{\hspace{2cm}})$$

$$= \underline{\hspace{2cm}}$$

$$DEL = \frac{\sqrt{(TAU)^2 + 2(TAU)(KAP)\cos(ALPH) + (KAP)^2}}{(TAU + KAP + 2S)}$$

$$= \frac{\sqrt{(\underline{\hspace{2cm}})^2 + (\underline{\hspace{2cm}})(\underline{\hspace{2cm}})\cos(\underline{\hspace{2cm}}) + (\underline{\hspace{2cm}})^2}}{(\underline{\hspace{2cm}} + \underline{\hspace{2cm}} + \underline{\hspace{2cm}})}$$

$$= \underline{\hspace{2cm}}$$

$$P_{MAX} = \frac{PAVG}{\sqrt{(1 - DEL)/(1 + DEL)}} = \frac{\underline{\hspace{2cm}}}{\sqrt{(1 - \underline{\hspace{2cm}})/(1 + \underline{\hspace{2cm}})}}$$

$$= \underline{\hspace{2cm}} \text{ MPa}$$

$$P_{MIN} = \frac{P_{MAX}(1 - DEL)}{(1 + DEL)} = \frac{\underline{\hspace{2cm}}(1 - \underline{\hspace{2cm}})}{(1 + \underline{\hspace{2cm}})}$$

$$= \underline{\hspace{2cm}} \text{ MPa}$$

7. Basic Power Outputs

7.1 Alpha Engine - Schmidt Equation

$$\begin{aligned} \text{THET} &= \tan^{-1} \left(\frac{\text{KAP} \sin(\text{ALPH})}{(\text{TAU} + \text{KAP} \cos(\text{ALPH}))} \right) \\ &= \tan^{-1} \left(\frac{\sin(\quad)}{(\quad + \cos(\quad))} \right) \\ &= \underline{\quad} \text{ degrees} \end{aligned}$$

The basic power, BP, is

$$\begin{aligned} \text{BP} &= \frac{\text{NU}(\text{PAVG})(\text{VTL})^{\pi}(1 - \text{TAU})(\text{DEL})\sin(\text{THET})}{(\text{KAP} + 1)(1 + \sqrt{1 - (\text{DEL})^2})} \\ &= \frac{(\quad)(\quad)^{\pi}(1 - \quad)(\quad)\sin(\quad)}{(\quad + 1)(1 + \sqrt{1 - (\quad)^2})} \\ &= \underline{\quad} \text{ watts.} \end{aligned}$$

7.2 Beta Engine, Schmidt Equation

$$K = \text{VPL}/\text{VHL}$$

$$= \underline{\quad} / \underline{\quad} = \underline{\quad}$$

$$D = \sqrt{1 + K^2 - 2K\cos(\text{ALPH})}$$

$$= \sqrt{1 + (\quad)^2 - 2(\quad)\cos(\quad)} = \underline{\quad}$$

$$\text{VD} = \text{VHD} + \text{VRD} + \text{VCD}$$

$$= \underline{\quad} + \underline{\quad} + \underline{\quad} = \underline{\quad} \text{ cm}^3.$$

$$Y = \text{TAU} + 4 \left(\frac{\text{VD}}{\text{VHL}} \right) \left(\frac{\text{TAU}}{1 + \text{TAU}} \right) + D$$

$$= \underline{\quad} + 4 \left(\frac{\underline{\quad}}{\underline{\quad}} \right) \left(\frac{\underline{\quad}}{1 + \underline{\quad}} \right) + \underline{\quad} = \underline{\quad}.$$

$$X = \sqrt{(\text{TAU} - 1)^2 + 2(\text{TAU} - 1)K\cos(\text{ALPH}) + K^2}$$

$$= \sqrt{(\underline{\quad} - 1)^2 + 2(\underline{\quad} - 1)(\quad)\cos(\quad) + (\quad)^2}$$

$$= \underline{\quad}.$$

$$BP = \frac{NU(\pi)(1 - \text{TAU})(\text{PMA X})(\text{VHL})(K)\sin(\text{ALPH})}{Y + \sqrt{Y^2 - X^2}} \sqrt{\frac{Y - X}{Y + X}}$$

$$= \frac{(\quad)\pi(1 - \quad)(\quad)(\quad)(\quad)\sin(\quad)}{\quad + \sqrt{(\quad)^2 - (\quad)^2}} \sqrt{\frac{-}{+}}$$

$$= \quad \text{watts.}$$

7.3 Gamma Engine - Schmidt Equation

Evaluate K, D, VD and X in 7.2

$$Z = 4 \left(\frac{VD(\text{TAU})}{\text{VHL}(1 + \text{TAU})} \right) + 1 + \text{TAU} + K$$

$$= 4 \left(\frac{(\quad)(\quad)}{(\quad)(1 + \quad)} \right) + 1 + \quad + \quad$$

$$Z = \quad.$$

Then:

$$BP = \frac{(NU)\pi(1 - \text{TAU})(\text{PMA X})(\text{VHL})(K)\sin(\text{ALPH})}{Z + \sqrt{Z^2 - X^2}} \sqrt{\frac{Z - X}{Z + X}}$$

$$BP = \frac{(\quad)\pi(1 - \quad)(\quad)(\quad)(\quad)\sin(\quad)}{\quad + \sqrt{(\quad)^2 - (\quad)^2}} \sqrt{\frac{-}{+}}$$

$$= \quad \text{watts.}$$

7.4 Rhombic Drive Philips Engine (See Figure 4-15 and 4-16)

$$A = \sqrt{(\text{LCR})^2 - (\text{ECC} - \text{RC})^2}$$

$$= \sqrt{(\quad)^2 - (\quad - \quad)^2} = \quad \text{cm}$$

$$B = \sqrt{(\text{LCR})^2 - (\text{ECC} + \text{RC})^2}$$

$$= \sqrt{(\quad)^2 - (\quad + \quad)^2} = \quad \text{cm}$$

For a Check:

$$VCL = (A - B) \frac{\pi}{2} \left((DCY)^2 - (DDR)^2 \right)$$

$$= (\quad - \quad) \frac{\pi}{2} \left((\quad)^2 - (\quad)^2 \right) = \quad \text{cm}^3.$$

$$VCLX = \frac{\pi}{2} \left((DCY)^2 - (DDR)^2 \right) \left\{ A - \sqrt{(LCR)^2 - (ECC - RC \cos(\text{PHI}))^2} \right\}$$

$$= \left(\quad - \sqrt{\quad - \left(\quad - \quad \cos(\text{PHI}) \right)^2} \right)$$

$$VC = VCD + VCLX =$$

$$VC = \quad + \quad \left(\quad - \sqrt{\quad - \left(\quad - \quad \cos(\text{PHI}) \right)^2} \right)$$

VC is calculated for PHI = 0, 30, 60,, 360° and entered on the next page.

$$D1 = \sqrt{(LCR + RC)^2 - (ECC)^2}$$

$$= \sqrt{(\quad + \quad)^2 - (\quad)^2} = \quad \text{cm}.$$

$$C = \sqrt{(LCR - RC)^2 - (ECC)^2}$$

$$= \sqrt{(\quad - \quad)^2 - (\quad)^2} = \quad \text{cm}$$

$$VHL = (D1 - C) \frac{\pi}{4} (DCY)^2$$

$$= (\quad - \quad) \frac{\pi}{4} (\quad)^2 = \quad \text{cm}^3.$$

$$VH = VHLX + VHD = \frac{\pi}{4} (DCY)^2 \left\{ \sqrt{(LCR)^2 - (ECC - (RC) \cos(\text{PHI}))^2} + RC \sin(\text{PHI}) - C \right\} + VHD$$

$$VH = \frac{\pi}{4} (\quad)^2 \left\{ \sqrt{(\quad)^2 - \left(\quad - \quad \cos(\text{PHI}) \right)^2} + \quad \sin(\text{PHI}) - \quad \right\} + \quad$$

$$VH = \frac{1}{\sin(\phi)} \left[\sqrt{\frac{1}{\cos^2(\phi)} - \left(\frac{1}{\cos(\phi)} - \frac{VC}{\sin(\phi)} \right)^2} + \frac{VC}{\sin(\phi)} \right]$$

VH is calculated for $\phi = 0 \rightarrow 360$ and entered on previous page.

$$VT = VH + VC + VRD = VH + VC + \frac{VC}{\tan(\phi)}$$

VT is calculated for $\phi = 0 \rightarrow 360$ and entered on previous page.

$$P = \frac{1}{\frac{VH}{TH} + \frac{VRD}{TR} + \frac{VC}{TC}} = \frac{1}{\frac{VH}{TH} + \frac{VC}{TC}}$$

P is calculated for $\phi = 0$ to 360 and entered on previous page.

$$PM = \frac{\sum_{\phi=30}^{\phi=360} P}{12} \quad PM = \frac{\text{PAVG}}{PM} \quad (\text{see previous page})$$

Note: Do Not Add in P at $\phi = 0$

$$M(R) = \frac{PAVG}{PM} = \frac{PAVG}{PM} = \frac{J}{K}$$

$$PC = P \left(\frac{PAVG}{PM} \right) = P (\quad)$$

PC is calculated for $\phi = 0, 30, \dots, 360$ and entered on previous pg.

PC is integrated verses VT using the trapezoidal rule, i.e.

$$DELW = \frac{PC_1 + PC_2}{2} (VT_2 - VT_1)$$

For the first increment the subscript 1 stands for $\phi = 0^\circ$ and the subscript 2 stands for $\phi = 30^\circ$. For the second increment the subscript 1 stands for $\phi = 30^\circ$ and the subscript 2 stands for $\phi = 60^\circ$. DELW is summed for all 12 increments. (See previous page).

$$BP = NU(1.045) \sum_1^{12} DELW$$

$$= \underline{\hspace{2cm}} (1.045) \underline{\hspace{2cm}} = \underline{\hspace{2cm}} \text{ watts.}$$

The mass flow rates are now computed.

$$FH = \frac{P(VH)}{M(R)(TH)} = \frac{P(VH)}{(\hspace{1cm})(\hspace{1cm})}$$

$$M(R) = \underline{\hspace{2cm}} \text{ J/K}$$

$$M = \frac{M(R)}{8.314} = \frac{\hspace{1cm}}{8.314}$$

$$M = \underline{\hspace{2cm}} \text{ g mol}$$

FH is calculated for PHI = 30 to 360 and entered 2 pages back.

$$FHMAX = \underline{\hspace{2cm}} \quad FHMIN = \underline{\hspace{2cm}}$$

FH is graphed and effective times for steady flow in and out are determined (See Figure 7-1)

$$FCT1 = \underline{\hspace{2cm}} \quad FCT2 = \underline{\hspace{2cm}}$$

$$FCTH = \frac{FCT1 + FCT2}{2} = \frac{\hspace{1cm} + \hspace{1cm}}{2} = \underline{\hspace{2cm}}$$

$$WHS = \frac{(FHMAX - FHMIN)M(MW)}{FCTH/NU}$$

$$= \frac{(\hspace{1cm} - \hspace{1cm}) (\hspace{1cm}) (\hspace{1cm})}{(\hspace{1cm})} = \underline{\hspace{2cm}} \text{ g/sec}$$

$$FC = \frac{P(VC)}{M(R)(TC)} = \frac{P(VC)}{(\hspace{1cm})(\hspace{1cm})}$$

FC is calculated for PHI = 30 to 360° and entered 2 pages back.

$$FCMAX = \underline{\hspace{2cm}} \quad FCMIN = \underline{\hspace{2cm}}$$

FC is graphed and effective times for steady flow in and out are determined

$$FCT3 = \underline{\hspace{2cm}} \quad FCT4 = \underline{\hspace{2cm}}$$

$$FCTC = \frac{FCT3 + FCT4}{2} = \frac{\hspace{1cm} + \hspace{1cm}}{2} = \underline{\hspace{2cm}}$$

$$WCS = \frac{(FCMAX - FCMIN)M(MW)}{FCTC/NU}$$

$$= \frac{(\hspace{1cm} - \hspace{1cm}) (\hspace{1cm}) (\hspace{1cm})}{(\hspace{1cm})} = \underline{\hspace{2cm}} \text{ g/sec}$$

For the regenerator

$$FCT = (FCTH + FCTC)/2 = (\quad + \quad)/2$$

$$= \frac{\quad}{\quad}$$

$$WRS = (WHS + WCS)/2 = (\quad + \quad)/2$$

$$= \frac{\quad}{\quad} \text{g/sec}$$

7.5 Crank Drive - Alpha Engine

$$VH = \frac{\pi}{4} (DCY)^2 \left\{ (RC) - \sqrt{(LCR)^2 - (RC \sin(\Phi))^2} \right. \\ \left. + RC \cos(\Phi) + LCR \right\} + VHD$$

$$= \frac{\pi}{4} (\quad) \left\{ \quad - \sqrt{(\quad)^2 - (\quad \sin(\Phi))^2} \right. \\ \left. + \quad \cos(\Phi) + \quad \right\} + \frac{\quad}{\quad}$$

$$VH = \frac{\quad}{\quad} \left\{ \quad - \sqrt{\quad - (\quad \sin(\Phi))^2} \right. \\ \left. + \quad \cos(\Phi) \right\} + \frac{\quad}{\quad}$$

$$VC = \frac{\pi}{4} \left((DCY)^2 - (DDR)^2 \right) \left\{ \sqrt{(LCR)^2 - (RC \sin(\Phi + \alpha))^2} \right. \\ \left. - RC \cos(\Phi + \alpha) - LCR + RC \right\} + VCD$$

$$= \frac{\pi}{4} \left((\quad)^2 - (\quad)^2 \right) \left\{ \sqrt{(\quad)^2 - ((\quad) \sin(\Phi + \alpha))^2} \right. \\ \left. - \quad \cos(\Phi + \alpha) - \quad + \quad \right\} + \frac{\quad}{\quad}$$

$$VC = \frac{\quad}{\quad} \left\{ \sqrt{\quad - \quad \sin(\Phi + \alpha)^2} \right. \\ \left. - \quad \cos(\Phi + \alpha) - \quad \right\} + \frac{\quad}{\quad}$$

$$VT = VH + VC + VRD = VH + VC + \frac{\quad}{\quad}$$

$$P = \frac{VH}{TH} + \frac{VRD}{TR} + \frac{VC}{TC} = \frac{1}{\frac{VH}{TH} + \frac{\quad}{\quad} + \frac{VC}{TC}}$$

VH, VC, VT and P are calculated for PHI = 0, 30, 60, 360°
and entered on the next page.

$$PM = \left(\sum_{\text{PHI} = 30}^{\text{PHI} = 360} P \right) / 12 \quad PM = \underline{\hspace{2cm}}$$

Note: Do Not Add in P at PHI = 0

$$M(R) = \frac{PAVG}{PM} = \left(\underline{\hspace{2cm}} \right) = \underline{\hspace{2cm}} \text{ J/K}$$

$$PC = P \left(\frac{PAVG}{PM} \right) = P \left(\underline{\hspace{2cm}} \right)$$

Calculate PC and enter on next page.

PC is integrated vs VT using the trapezoidal rule as explained
in previous section.

$$BP = NU (1.045) \sum_1^{12} DELW$$

$$= \underline{\hspace{2cm}} (1.045) \underline{\hspace{2cm}} = \underline{\hspace{2cm}} \text{ watts}$$

Effective flow rates and effective fractions of the cycle times these flows
are assumed to occur in are computed using the method given in 7.4.

7.6 Rhombic Drive Beta with adiabatic hot and cold spaces.

Calculate VCLX and VHLX as in 7.4.

$$VT = VCLX + VCD + VRD + VHD + VHLX$$

$$= VCLX + \underline{\hspace{2cm}} + \underline{\hspace{2cm}} + \underline{\hspace{2cm}} + VHLX$$

$$= VCLX + \underline{\hspace{2cm}} + VHLX$$

Computation of Work Diagram: Crank-Alpha

PHI	VC cm ³	VH cm ³	VT cm ³	P	PC MPa	DELW
0						
30						
60						
90						
120						
150						
180						
210						
240						
270						
300						
330						
360						

C-13

Enter VCLX, VHLX and VT for PHI = 0, 30,, 360⁰ on next page.

$$K1 = \frac{VHD}{TH} + \frac{VRD}{TR} + \frac{VCD}{TC} = \text{---} + \text{---} + \text{---}$$

$$= \text{---} \text{ cm}^3 / \text{K}$$

gas	hydrogen	helium	air
E	0.286	0.400	0.286

For X = 1 first calculate 1H (check 1) ---

if VHL1 > VHL12

if VHL1 < VHL12

$$1H = \frac{VHL12}{THS12 \left(\frac{P1}{P12}\right)^E} + \frac{VHL1 - VHL12}{TH \left(\frac{P1}{P12}\right)^E}$$

$$1H = \frac{VHL1}{THS12 \left(\frac{P1}{P12}\right)^E}$$

$$1H = \frac{\text{---}}{\left(\frac{P1}{\text{---}}\right)} + \frac{\text{---}}{\left(\frac{P1}{\text{---}}\right)}$$

$$1H = \frac{\text{---}}{\left(\frac{P1}{\text{---}}\right)^E}$$

For the first time around, THS12 and P12 will not be known. Assume THS12 = TH and P12 = P1, so no matter which inequality is true:

$$1H = \frac{VHL1}{TH} = \text{---} = \text{---} \text{ cm}^3 / \text{K}$$

Enter at top of XH column on next page.

Next, calculate 1C (check 1)

if VCL1 > VCL12

if VCL1 < VCL12

$$1C = \frac{VCL12}{TCS12 \left(\frac{P1}{P12}\right)^E} + \frac{VCL1 - VCL12}{TC \left(\frac{P1}{P12}\right)^E}$$

$$1C = \frac{VCL1}{TCS12 \left(\frac{P1}{P12}\right)^E}$$

$$1C = \frac{\text{---}}{\left(\frac{P1}{\text{---}}\right)} + \frac{\text{---}}{\left(\frac{P1}{\text{---}}\right)}$$

$$1C = \frac{\text{---}}{\left(\frac{P1}{\text{---}}\right)^E}$$

COMPUTATION OF WORK DIAGRAM - RHOMBIC BETA - ADIABATIC HOT & COLD SPACES

PHI	VCLX cm ³	VHLX cm ³	VT	X	XH	XC	PX	THSX	TCSX
0				1					
30				2					
60				3					
90				4					
120				5					
150				6					
180				7					
210				8					
240				9					
270				10					
300				11					
330				12					
360				1					

For the first time around, TCS12 and P12 will not be known. Assume
 TCS12 = TC and P12 = P1. So no matter which inequality is true:

$$1C = \frac{VCL1}{TC} = \underline{\hspace{2cm}} = \underline{\hspace{2cm}} \text{ cm}^3 / \text{K}$$

Enter at top of XC column on previous page.

Now P1 is determined by:

$$P1 = \frac{1}{1H + K1 + 1C}$$

In general, solve for P1 by a successive approximation method.

Enter P1 on previous page at top of column PX. Then knowing P1,
 calculate 1C and 1H and enter top of columns XC and XH on previous
 page. For the first time around P1 can be solved directly.

$$P1 = \frac{1}{\underline{\hspace{1cm}} + \underline{\hspace{1cm}} + \underline{\hspace{1cm}}} = \underline{\hspace{2cm}} \text{ MPa}$$

Then:

$$THS1 = \frac{VHL1}{1H} = \underline{\hspace{2cm}} = \underline{\hspace{2cm}} \text{ K}$$

$$TCS1 = \frac{VCL1}{1C} = \underline{\hspace{2cm}} = \underline{\hspace{2cm}} \text{ K}$$

Enter these at the top of their columns on previous page.

For X = 2

$$VHL2 > VHL1 \quad \square$$

$$\text{OR} \quad VHL2 < VHL1 \quad \square$$

$$2H = \frac{VHL1}{THS1 \left(\frac{P2}{P1}\right)^E} + \frac{VHL2 - VHL1}{TH \left(\frac{P2}{P1}\right)^E}$$

$$2H = \frac{VHL2}{THS1 \left(\frac{P2}{P1}\right)^E}$$

$$2H = \frac{\underline{\hspace{1cm}}}{\left(\frac{P2}{\underline{\hspace{1cm}}}\right)} + \frac{\underline{\hspace{1cm}}}{\left(\frac{P2}{\underline{\hspace{1cm}}}\right)}$$

$$2H = \frac{\underline{\hspace{1cm}}}{\left(\frac{P2}{\underline{\hspace{1cm}}}\right)}$$

$$VCL2 > VCL1 \quad \square$$

$$\text{OR} \quad VCL2 < VCL1 \quad \square$$

$$2C = \frac{VCL1}{TCS1 \left(\frac{P2}{PT}\right)^E} + \frac{VCL2 - VCL1}{TC \left(\frac{P2}{PT}\right)^E}$$

$$2C = \frac{VCL2}{TCS1 \left(\frac{P2}{PT}\right)^E}$$

$$2C = \frac{\quad}{\left(\frac{P2}{PT}\right)} + \frac{\quad}{\left(\frac{P2}{PT}\right)}$$

$$2C = \frac{\quad}{\left(\frac{P2}{PT}\right)}$$

$$P2 = \frac{1}{2H + K1 + 2C} = \frac{\quad}{\quad}$$

$$2H = \frac{\quad}{\quad} \quad \quad \quad 2C = \frac{\quad}{\quad}$$

$$THS2 = \frac{VHL2}{2H} = \frac{\quad}{\quad} = \frac{\quad}{\quad} \text{ K}$$

$$TCS2 = \frac{VCL2}{2C} = \frac{\quad}{\quad} = \frac{\quad}{\quad} \text{ K}$$

P2, 2H, 2C, THS2 and TCS2 are now entered on the second line of the table 2 page back. The process continues as is outlined for the rest of the cycle back to PHI = 360°, X = 1. The pressure at 360°, P1, will be different than the pressure at 0°, P1. The calculation procedure must continue until the hot space and cold space temperature and the cycle pressure repeat with adequate accuracy. This procedure must be programmed on a hand-held computer, at least, to be practical.

8. Fluid Friction loss

8.1 Regenerator Windage

$$8.1.1 \text{ Screens -- } VHL = \frac{\quad}{\quad} \text{ cm}^3 \text{ (from 5.1 or 7.4)}$$

$$TR = \frac{\quad}{\quad} \text{ }^\circ\text{K (from 6)}$$

$$PAVG = \frac{\quad}{\quad} \text{ MPa (from 4)}$$

for hydrogen:

$$MU = 88.73 \times 10^{-6} + 0.2 \times 10^{-6} (TR - 293) + 0.118 \times 10^{-6} (PAVG)$$

$$= \underline{\hspace{2cm}}$$

$$= \underline{\hspace{2cm}} \text{ g/cm sec}$$

for helium:

$$MU = 196.14 \times 10^{-6} + 0.464 \times 10^{-6} (TR - 293) - 0.093 \times 10^{-6} (PAVG)$$

$$= \underline{\hspace{2cm}}$$

$$= \underline{\hspace{2cm}} \text{ g/cm sec}$$

for air:

$$MU = 181.94 \times 10^{-6} + 0.536 \times 10^{-6} (TR - 293) + 1.22 \times 10^{-6} (PAVG)$$

$$= \underline{\hspace{2cm}}$$

$$= \underline{\hspace{2cm}} \text{ g/cm sec}$$

RHOM = mean gas density

	H ₂	He	air
MW =	2.02	4.00	29

$$= \frac{MW}{22,414} \times \frac{PAVG}{0.1013} \times \frac{273}{TR} = 0.1202 \frac{MW(PAVG)}{TR}$$

$$= \frac{0.1202(\quad)(\quad)}{(\quad)} = \underline{\hspace{2cm}} \text{ g/cm}^3$$

For analytical Schmidt Analysis

$$WRS = (VHL)(NU)(3)(RHOM) = 3(\quad)(\quad)(\quad)$$

$$= \underline{\hspace{2cm}} \text{ g/sec}$$

For numerical Schmidt analysis (from 7.4)

$$WRS = \underline{\hspace{2cm}} \text{ g/sec}$$

$$AC = \frac{VRD}{LR} = \underline{\hspace{2cm}} = \underline{\hspace{2cm}} \text{ cm}^2$$

$$G = \frac{WRS}{AC} = \underline{\hspace{2cm}} = \underline{\hspace{2cm}} \text{ g/sec cm}^2$$

$$AHT = \frac{(\pi)^2}{2} (MSH)(THW)(DR)^2(NR)(NS)$$

$$= \frac{(\pi)^2}{2} () () ()^2 () ()$$

$$= \text{_____ cm}^2$$

$$RH = AC(LR)/(AHT) = () () = \text{_____ cm}$$

$$RE = \frac{4(RH)G}{MU} = \frac{4() ()}{()} = \text{_____}$$

If RE < 60:

$$\log F = 1.73 - 0.93 \log (RE)$$

If 60 < RE < 1000:

$$\log F = 0.714 - 0.365 \log (RE)$$

If RE > 1000:

$$\log F = 0.015 - 0.125 \log (RE)$$

$$DELP = \frac{F(G)^2 LR}{2(10^7)(RH)(RHOM)}$$

$$DELP = \frac{() ()^2 ()}{(2 \times 10^7) () ()} = \text{_____ MPa}$$

For analytical Schmidt Analysis

$$WPR = (DELP)(VHL)(2)(NU) = 2() () ()$$

$$= \text{_____ watts}$$

For numerical Schmidt analysis

$$WPR = \frac{(DEL P)(WRS)(2)(FCT)}{(RHOM)}$$

$$= \frac{(\quad)(\quad)2(\quad)}{(\quad)} = \underline{\hspace{2cm}} \text{ watts}$$

8.1.2 Slot or Annuli Regenerator

$$RH = GR/2 = \frac{(\quad)}{2} = \underline{\hspace{2cm}} \text{ cm}$$

MU, RHOM, and WRS calculate in 8.1.1.

$$G = \frac{WRS}{AF} = \underline{\hspace{2cm}} = \underline{\hspace{2cm}} \text{ g/sec cm}^2$$

$$RE = \frac{4(RH)G}{MU} = \frac{4(\quad)(\quad)}{(\quad)} = \underline{\hspace{2cm}}$$

If $RE \leq 2000$

$$F = \frac{24}{RE} = \frac{24}{(\quad)} = \underline{\hspace{2cm}}$$

If $RE > 2000$

$$\log F = -1.34 - \frac{0.20}{\log(RE)}$$

$$WPR = \frac{F(G)^2 L(VHL)(NU)}{10^7 (RH)(RHOM)} = \underline{\hspace{2cm}}$$

$$= \frac{(\quad)(\quad)^2(\quad)(\quad)(\quad)}{10^7(\quad)(\quad)}$$

$$WPR = \underline{\hspace{2cm}} \text{ watts}$$

8.2 Gas Heater Windage

8.2.1 Tubular Heater

for Hydrogen:

$$MU = 10^{-6} \{ 88.73 + 0.2(THM - 293) + 0.118 (PAVG) \}$$

$$= \underline{\hspace{2cm}}$$

$$= \underline{\hspace{2cm}} \text{ g/cm}^2\text{-sec}$$

for Helium:

$$\mu = 10^{-6} \left\{ 196.14 + 0.464(\text{THM} - 293) + 0.093 (\text{PAVG}) \right\}$$

$$= \text{-----} \text{ g/cm}\cdot\text{sec}$$

for Air:

$$\mu = 10^{-6} \left\{ 181.94 + 0.536(\text{THM} - 293) + 1.22 (\text{PAVG}) \right\}$$

$$\mu = \text{-----} \text{ g/cm}\cdot\text{sec}$$

$$\text{MW} = \frac{\text{H}_2 \quad \text{He} \quad \text{air}}{2.02 \quad 4.00 \quad 29}$$

$$\text{RHOM} = 0.1202 \cdot \text{MW}(\text{PAVG}) / (\text{THM})$$

$$= 0.1202(\quad)(\quad) / (\quad) = \text{-----} \text{ g/cm}^3$$

For analytical Schmidt analysis

$$\text{WHS} = (\text{VHL})(\text{NU})(3)(\text{RHOM}) = 3(\quad)(\quad)(\quad)$$

$$= \text{-----} \text{ g/sec}$$

For numerical Schmidt analysis (from 7.4)

$$\text{WHS} = \text{-----} \text{ g/sec}$$

$$\text{AC} = (\text{NTH})(\text{DIH})^2 \pi / 4 = (\quad)(\quad)^2 \pi / 4 = \text{-----} \text{ cm}^2$$

$$\text{G} = \text{WHS} / \text{AC} = \left(\frac{\quad}{\quad} \right) = \text{-----} \text{ g/cm}^2 \text{ sec}$$

$$\text{RE} = \frac{(\text{DIH})\text{G}}{\mu} = \frac{(\quad)(\quad)}{(\quad)} =$$

$$\text{If RE} < 2000, \text{ F} = 16 / \text{RE} = 16 / (\quad) =$$

$$\text{If RE} > 2000, \log \text{ F} = -1.34 + 0.20 \log (\text{RE})$$

For analytical Schmidt analysis

$$WPH = \frac{4F(G)^2(LH)(VHL)(NU)}{10^7(DIH)(RHOM)} = \frac{4(\quad)(\quad)^2(\quad)(\quad)(\quad)}{10^7(\quad)(\quad)}$$

$$WPH = \text{watts}$$

For numerical Schmidt analysis

$$DELP = \frac{2(F)(G)^2(LH)}{10^7(DIH)(RHOM)}$$

$$= \frac{2(\quad)(\quad)^2(\quad)}{10^7(\quad)(\quad)} = \text{MPa}$$

$$WPH = \frac{DELP(WHS)^2(FCTH)}{RHOM}$$

$$(\quad)(\quad)^2(\quad) = \text{watts}$$

8.2.2 Annular Gap Heater

Find MU, RHOM and WHS in 8.2.1

$$AC = \pi(DCY)(GH) = \pi(\quad)(\quad) = \text{cm}^2$$

$$G = \frac{WHS}{AC} = \text{g/sec cm}^2$$

$$RE = \frac{2(GH)G}{MU} = \frac{2(\quad)(\quad)}{(\quad)} =$$

$$\text{If } RE < 2000, F = 24/RE = 24/(\quad) =$$

$$\text{If } RE > 2000, \log F = -1.34 - 0.20 \log (RE)$$

$$WPH = \frac{2F(G)^2(LHHT)(VHL)(NU)}{10^7(GH)(RHOM)}$$

$$WPH = \frac{2(\quad)(\quad)^2(\quad)(\quad)(\quad)}{10^7(\quad)(\quad)} = \text{watts}$$

8.2.3 Nested Cone Isothermalizer

Find MU, RHOM and WHS in 8.2.1

$$\text{BET} = \tan^{-1} \left(\frac{\text{DC1}}{2(\text{LC1})} \right) = \tan^{-1} \left(\frac{\quad}{2(\quad)} \right)$$

$$= \quad \text{degrees}$$

$$\text{GTA} = \left(\text{SCL} + \frac{\text{SE or SD}}{2} \right) \sin(\text{BET}) = \left(\quad + \frac{\quad}{2} \right) \sin(\quad)$$

$$= \quad \text{cm}$$

$$\text{AC} = \frac{\text{DC1}}{\sqrt{2}} \pi(\text{GTA})(\text{NC}) = \frac{\pi}{\sqrt{2}} (\quad)(\quad)(\quad) = \quad \text{cm}^2$$

$$\text{G} = \frac{\text{WHS}}{\text{AC}} = \quad = \quad \text{g/sec cm}^2$$

$$\text{RE} = \frac{2(\text{GTA})\text{G}}{\text{MU}} = \frac{2(\quad)(\quad)}{(\quad)} =$$

If $\text{RE} < 2000$, $F = 24/\text{RE} = 24/(\quad) = \quad$

If $\text{RE} > 2000$, $\log F = -1.34 - 0.20 \log(\text{RE})$, $F = \quad$

$$L = \sqrt{(\text{LC1})^2 + \left(\frac{\text{DC1}}{2} \right)^2} \left(1 - \frac{1}{\sqrt{2}} \right) =$$

$$= \sqrt{(\quad)^2 + \left(\frac{\quad}{2} \right)^2} (0.2929) = \quad \text{cm}$$

$$\text{WPH} = \frac{2\text{F}(\text{G})^2(\text{L})(\text{VHL})(\text{NU})}{10^7(\text{GH})(\text{RHOM})}$$

$$= \frac{2(\quad)(\quad)^2(\quad)(\quad)(\quad)}{10^7(\quad)(\quad)}$$

WPH = \quad watts

8.3 Gas Cooler Windage

8.3.1 Tubular Cooler

for Hydrogen:

$$\text{MU} = 10^{-6} \{ 88.73 + 0.2(\text{TCM} - 293) + 0.118(\text{PAVG}) \}$$

$$= \text{_____} \text{ g/cm sec}$$

for Helium:

$$\text{MU} = 10^{-6} \{ 196.14 + 0.464(\text{TCM} - 293) - 0.093(\text{PAVG}) \}$$

$$\text{MU} = \text{_____} \text{ g/cm sec}$$

for Air:

$$\text{MU} = 10^{-6} \{ 181.94 + 0.536(\text{TCM} - 293) + 1.22(\text{PAVG}) \}$$

$$\text{MU} = \text{_____} \text{ g/cm sec}$$

$$\text{MW} = \begin{matrix} \text{H}_2 & \text{He} & \text{air} \\ 2.02, & 4.00, & 29 \end{matrix}$$

$$\text{RHOM} = 0.1202(\text{MW})(\text{PAVG})/\text{TCM}$$

$$= 0.1202(\quad)(\quad) / (\quad) = \text{_____} \text{ g/cm}^3$$

For analytical Schmidt analysis

$$\text{WCS} = \text{VCL}(\text{NU})(3)(\text{RHOM}) = 3(\quad)(\quad)(\quad)$$

$$= \text{_____} \text{ g/sec}$$

For numerical Schmidt analysis (from 7.4)

$$\text{WCS} = \text{_____} \text{ g/sec}$$

$$AC = (NTC)(DIC)^2 \frac{\mu}{4} = (\quad) (\quad)^2 \frac{\mu}{4} = \text{-----} \text{ cm}^2$$

$$G = \frac{WCS}{AC} = \text{-----} \text{ g/sec cm}^2$$

$$RE = \frac{(DIC)G}{\mu} = \frac{(\quad) (\quad)}{(\quad)} =$$

$$\text{If } RE < 2000, F = 16/RE = 16/(\quad) =$$

$$\text{If } RE > 2000, \log F = -1.34 - 0.20 \log(RE)$$

For analytical Schmidt analysis

$$WPC = \frac{4F(G)^2(LC)(VCL)(\mu)}{10^7(DIC)(RHOM)}$$

$$WPC = \frac{4(\quad) (\quad)^2 (\quad) (\quad) (\quad)}{10^7 (\quad) (\quad)}$$

$$WPC = \text{-----} \text{ watts}$$

For numerical Schmidt analysis

$$DELP = \frac{2(F)(G)^2(LC)}{10^7(DIC)(RHOM)} = \frac{2(\quad) (\quad)^2 (\quad)}{10^7 (\quad) (\quad)}$$

$$= \text{-----} \text{ MPa}$$

$$WPC = \frac{DELP(WCS)^2(FCTC)}{RHOM}$$

$$(\quad) (\quad)^2 (\quad) = \text{-----} \text{ watts}$$

8.3.2 Annular Gap Cooler

Find MU, RHOM, and WCS in 8.3.1

$$AC = \mu(DCY)(GC) = \mu(\quad) (\quad) = \text{-----} \text{ cm}^2$$

$$G = \frac{WCS}{AC} = \text{-----} \text{ g/cm}^2 \text{ sec}$$

$$RE = \frac{2(GC)G}{MU} = \frac{2(\quad)(\quad)}{(\quad)}$$

If $RE < 2000$, $F = 24/RE = 24/(\quad) = \underline{\hspace{2cm}}$

If $RE > 2000$, $\log F = -1.34 - 0.20 \log(RE)$

$$WPC = \frac{2F(G)^2(LCHT)(VCL)(NU)}{10^7(GC)(RHOM)}$$

$$= \frac{2(\quad)(\quad)^2(\quad)(\quad)(\quad)}{10^7(\quad)(\quad)}$$

WPC = watts

8.3.3 Nested Cone Isothermalizer

Find MU, RHOM, and WCS in 8.3.1

$$BET = \tan^{-1} \left(\frac{DC1}{2(LC1)} \right) = \tan^{-1} \left(\frac{\quad}{2(\quad)} \right) = \underline{\hspace{2cm}} \text{ degrees}$$

$$GTA = \left(SCL + \frac{SC \text{ or } SD}{2} \right) \sin(BET)$$

$$= \left(\underline{\hspace{2cm}} + \frac{\quad}{2} \right) \sin(\quad) = \underline{\hspace{2cm}} \text{ cm}$$

$$AC = \frac{DC1}{\sqrt{2}} (\pi)(GTA)(NC) = \frac{\pi}{\sqrt{2}} (\quad)(\quad)(\quad)$$

$$= \underline{\hspace{2cm}} \text{ cm}^2$$

$$G = \frac{WCS}{AC} = \underline{\hspace{2cm}} = \underline{\hspace{2cm}} \text{ g/sec cm}^2$$

$$RE = \frac{2(GTA)G}{MU} = \frac{2(\quad)(\quad)}{(\quad)} =$$

If $RE < 2000$, $F = 24/RE = 24/(\quad) =$

If $RE > 2000$, $\log F = -1.34 - 0.20 \log(RE)$

$$L = \sqrt{(LCI)^2 + \left(\frac{DCI}{2}\right)^2} \left(1 - \frac{1}{\sqrt{2}}\right)$$

$$= \sqrt{(\quad)^2 + \left(\frac{\quad}{2}\right)^2} \left(0.7071\right) \quad \text{cm.}$$

$$WPC = \frac{2F(G)^2(L)(VCL)(NU)}{10^7(GC)(RHOM)}$$

$$= \frac{2(\quad)(\quad)^2(\quad)(\quad)(\quad)}{10^7(\quad)(\quad)}$$

WPC = _____ watts

8.4 Fluid Friction Loss Summary

Gas Heater, WPH = _____ watts

Regenerator, WPR = _____ watts

Gas Cooler, WPC = _____ watts

Total, WP = _____ watts

9. Mechanical Friction Loss

MFL = _____ based upon experimental measurement

or

MFL = 0.2 BP = 0.2 () = _____ watts

10. Basic Heat Input

$$BHI = \frac{BP}{\left(1 - \frac{TC}{TH}\right)} = \frac{\quad}{\left(1 - \frac{\quad}{\quad}\right)} = \quad \text{watts}$$

11. Reheat Loss

11.1 Constant Volume Assumption (Equation 4-97)

FCT = _____ (usually 1/3) (from 7.4)

WRS = _____ q/sec (from 8.1)

$$CV = \underline{\hspace{2cm}} \text{ for TR} = \underline{\hspace{2cm}} \text{ K (see Table 4-8)}$$

$$CP = \underline{\hspace{2cm}} \text{ for TR} = \underline{\hspace{2cm}} \text{ K (see Table 4-8)}$$

$$AHT = \underline{\hspace{2cm}} \text{ cm}^2 \text{ (from 8.1)}$$

$$G = \underline{\hspace{2cm}} \text{ g/cm}^2 \text{ sec (from 8.1)}$$

$$PR = \underline{\hspace{2cm}} \text{ for TR} = \underline{\hspace{2cm}} \text{ }^\circ\text{K (see Table 4-9)}$$

$$RE = \underline{\hspace{2cm}} \text{ (from 8.1)}$$

$$\log\left(\frac{H}{G(CP)} (PR)^{\frac{2}{3}}\right) = -0.13 - 0.412 \log (RE)$$

$$\log\left(\frac{(\hspace{1cm})}{(\hspace{1cm})} (\hspace{1cm})^{\frac{2}{3}}\right) = -0.13 - 0.412 \log (\hspace{1cm})$$

$$H = \underline{\hspace{2cm}} \text{ w/cm}^2 \text{ }^\circ\text{K}$$

$$NTUV = \frac{H(AHT)}{(WRS)(CV)} = \frac{(\hspace{1cm})(\hspace{1cm})}{(\hspace{1cm})(\hspace{1cm})} = \underline{\hspace{2cm}}$$

$$QRH = (FCT)(WRS)(CV)(THM - TCM) \left(\frac{2}{NTUV + 2}\right)$$

$$= (\hspace{1cm})(\hspace{1cm})(\hspace{1cm})(\hspace{1cm} - \hspace{1cm}) \left(\frac{2}{\hspace{1cm} + 2}\right)$$

$$= \underline{\hspace{2cm}} \text{ watts}$$

11.2 Constant Pressure Assumption (Equation 4-98)

Find WRS, CP, AHT, G, PR, RE and H in 11.1

$$NTUP = \frac{H(AHT)}{(WRS)(CP)} = \frac{(\hspace{1cm})(\hspace{1cm})}{(\hspace{1cm})(\hspace{1cm})} = \underline{\hspace{2cm}}$$

$$QRH = \frac{1}{4} (WRS)(CP)(THM - TCM) \left(\frac{2}{NTUP + 2}\right)$$

$$= \frac{1}{4} (\hspace{1cm})(\hspace{1cm})(\hspace{1cm} - \hspace{1cm}) \left(\frac{2}{\hspace{1cm} + 2}\right)$$

$$= \underline{\hspace{2cm}} \text{ watts}$$

11.3 Qvale Equation (Equation 4-105)

Do not have the information to calculate this.

12. Shuttle Conduction

12.1 High Pressure Engine (Equation 4-110)

$$KG = \underline{\hspace{2cm}} \text{ w/cm} \cdot \text{K at TR} = \underline{\hspace{2cm}} \text{ K (From Table 4-9)}$$

$$\left. \begin{array}{l} LT1 = \underline{\hspace{2cm}} \text{ cm} \\ LT2 = \underline{\hspace{2cm}} \text{ cm} \end{array} \right\} @ \text{ NU} = \underline{\hspace{2cm}} \text{ HZ (From Table 4-11)}$$

(LT \propto $\sqrt{\text{NU}}$)

$$\left. \begin{array}{l} K1 = \underline{\hspace{2cm}} \text{ w/cm} \cdot \text{K} \\ K2 = \underline{\hspace{2cm}} \text{ w/cm} \cdot \text{K} \end{array} \right\} \text{ From Figure 4-22}$$

$$LB = 1 + \frac{KG}{2 \pi GR} \left(\frac{LT1}{K1} + \frac{LT2}{K2} \right)$$

$$LB = 1 + \frac{\underline{\hspace{2cm}}}{2 \pi (\underline{\hspace{2cm}})} \left(\underline{\hspace{2cm}} + \underline{\hspace{2cm}} \right)$$

$$LB = \underline{\hspace{2cm}}$$

$$\begin{aligned} QSH &= \left(\frac{1 + LB}{1 + (LB)^2} \right) \frac{\pi}{8} \frac{(SD)^2 (KG) (THM - TCM) (DCY)}{(GR) (LD)} \\ &= \left(\frac{1 + (\underline{\hspace{2cm}})}{1 + (\underline{\hspace{2cm}})^2} \right) \frac{\pi}{8} \frac{(\underline{\hspace{2cm}})^2 (\underline{\hspace{2cm}}) (\underline{\hspace{2cm}} - \underline{\hspace{2cm}}) (\underline{\hspace{2cm}})}{(\underline{\hspace{2cm}}) (\underline{\hspace{2cm}})} \\ &= \underline{\hspace{2cm}} \text{ watts} \end{aligned}$$

12.2 Low Pressure, Thin Walled Engine (Equation 4-111)

$$R01 = \underline{\hspace{2cm}} \text{ g/cm}^3 \text{ displacer wall density}$$

$$R02 = \underline{\hspace{2cm}} \text{ g/cm}^3 \text{ cylinder wall density}$$

$$CP1 = \underline{\hspace{2cm}} \text{ j/g} \cdot \text{K displacer wall heat capacity}$$

$$CP2 = \underline{\hspace{2cm}} \text{ j/g} \cdot \text{K cylinder wall heat capacity}$$

} From Handbook

$$OMG = 2\pi(NU) = 2\pi(\quad) = \frac{\text{rad}}{\text{sec}}$$

$$KG = \frac{\text{w}}{\text{cm} \cdot \text{K}} \text{ at TR} = \text{K (Table 4-9)}$$

$$SGM = \frac{(KG)(SD)}{(GR)(OMG)} \left(\frac{1}{(RO1)(CP1)(WT1)} + \frac{1}{(RO2)(CP2)(WT2)} \right)$$

$$= \left(\frac{\quad}{\quad} \right) \left(\frac{\quad}{\quad} \right) \left(\frac{1}{\left(\frac{\quad}{\quad} \right) \left(\frac{\quad}{\quad} \right) \left(\frac{\quad}{\quad} \right)} + \frac{1}{\left(\frac{\quad}{\quad} \right) \left(\frac{\quad}{\quad} \right) \left(\frac{\quad}{\quad} \right)} \right)$$

$$QSH = \left(\frac{1}{1 + (SGM)^2} \right) \frac{\pi}{8} \frac{(SD)^2 (KG) (THM - TCM) (DCY)}{(GR)(LD)}$$

$$= \left(\frac{1}{1 + \left(\frac{\quad}{\quad} \right)^2} \right) \frac{\pi}{8} \frac{\left(\frac{\quad}{\quad} \right)^2 \left(\frac{\quad}{\quad} \right) \left(\frac{\quad}{\quad} \right) \left(\frac{\quad}{\quad} \right)}{\left(\frac{\quad}{\quad} \right) \left(\frac{\quad}{\quad} \right)}$$

$$QSH = \text{watts}$$

13. Static Heat Conduction

13.1 Gas Conduction Inside Displacer or Hot Cap

$$DID = DCY - 2(GR) - 2(WT1) = (\quad) - 2(\quad) - 2(\quad)$$

$$= \text{cm}$$

$$AHT = \frac{\pi}{4} (DID)^2 = \frac{\pi}{4} (\quad)^2 = \text{cm}^2$$

$$KG = \frac{\text{w}}{\text{cm} \cdot \text{C}} \text{ from 12}$$

$$QC = \frac{KG (AHT) (THM - TCM)}{(LD)} = \left(\frac{\quad}{\quad} \right) \left(\frac{\quad}{\quad} \right) \left(\frac{\quad}{\quad} \right)$$

$$= \text{watts.}$$

13.2 Radiation Inside Displacer or Hot Cap

$$\frac{DID}{LD} = \frac{\quad}{\quad} = \frac{\quad}{\quad}$$

If:

$$0 < \frac{DID}{LD} < 0.2 \text{ then } FA = \frac{DID}{LD}$$

If:

$$0.2 < \frac{DID}{LD} < 7 \text{ then } FA = 0.50 + 0.20 \ln\left(\frac{DID}{LD}\right)$$

If:

$$\frac{DID}{LD} > 7 \text{ then } FA = 1$$

$$FE = (EH)(EC) = (\quad) (\quad) = \underline{\hspace{2cm}}$$

$$FN = \frac{1}{1 + NRS} = \frac{1}{1 + \quad} = \underline{\hspace{2cm}}$$

$$AHT = \underline{\hspace{2cm}} \text{ cm}^2 \text{ (from 13.1)}$$

$$\begin{aligned}
 QR &= (FA)(FE)(FN)(AHT)(5.67 \times 10^{-12}) \left((THM)^4 - (TCM)^4 \right) \\
 &= (\quad) (\quad) (\quad) (\quad) 5.67 \times 10^{-12} \\
 &\quad \left((\quad)^4 - (\quad)^4 \right) \\
 &= \underline{\hspace{2cm}} \text{ watts}
 \end{aligned}$$

13.3 Displacer Cylinder Wall

$$KM = \underline{\hspace{2cm}} \text{ w/cm } K \text{ at } TR = \underline{\hspace{2cm}} K \text{ (Figure 4-22)}$$

$$\begin{aligned}
 AHT &= \frac{\pi}{4} \left((DCY - 2GR)^2 - (DID)^2 \right) = \frac{\pi}{4} \left(\left(\quad \right)^2 - 2 \left(\quad \right)^2 \right) \\
 &= \underline{\hspace{2cm}} \text{ cm}^2
 \end{aligned}$$

$$\begin{aligned}
 QC &= \frac{KM(AHT)(THM - TCM)}{LD} = \frac{(\quad) (\quad) (\quad)}{(\quad)} \\
 &= \underline{\hspace{2cm}} \text{ watts}
 \end{aligned}$$

13.4 Displacer Gap

$$KG = \underline{\hspace{2cm}} \text{ w/cm} \cdot C \text{ from 13.1}$$

$$AHT = \pi(DCY)(GR) = \pi(\quad)(\quad) = \underline{\hspace{2cm}} \text{ cm}^2$$

$$QC = \frac{KG(AHT)(THM - TCM)}{LD} = \frac{(\quad)(\quad)(\quad - \quad)}{(\quad)}$$

$$= \underline{\hspace{2cm}} \text{ watts}$$

13.5 Cylinder Wall

Using the numbers in 2.5,

Let:

$$\textcircled{1} = \left(\frac{(LHB)4}{AHTH + AHTB} \right) = \frac{4(\quad)}{(\quad) + (\quad)} = \underline{\hspace{2cm}}$$

Then:

$$R1 = \frac{\textcircled{1}}{KMH + KMB} = \frac{(\quad)}{(\quad) + (\quad)} = \underline{\hspace{2cm}}$$

$$= \underline{\hspace{2cm}} \text{ K/watt}$$

Let:

$$\textcircled{2} = \frac{4(LBA)}{AHTB + AHTA} = \frac{4(\quad)}{(\quad) + (\quad)} = \underline{\hspace{2cm}}$$

Then:

$$R2 = \frac{\textcircled{2}}{KMB + KMA} = \frac{(\quad)}{(\quad) + (\quad)} = \underline{\hspace{2cm}} \text{ K/watt}$$

Let:

$$\textcircled{3} = \frac{4(LAC)}{AHTA + AHTC} = \frac{4(\quad)}{(\quad) + (\quad)} = \underline{\hspace{2cm}}$$

Then:

$$R3 = \frac{\textcircled{3}}{KMA + KMC} = \frac{(\quad)}{(\quad) + (\quad)} = \underline{\hspace{2cm}} \text{ K/watt}$$

$$QC = \frac{THM - TCM}{R1 + R2 + R3} = \frac{(\quad) - (\quad)}{(\quad) + (\quad) + (\quad)}$$

$$= \underline{\hspace{2cm}} \text{ watts}$$

$$TB = THM - R1(QC) = (\quad) - (\quad)(\quad)$$

$$= \underline{\hspace{2cm}} \text{ K} \text{ ---- Original TB estimate was } \underline{\hspace{2cm}} \text{ K}$$

$$TA = TB - R2(QC) = (\quad) - (\quad)(\quad)$$

$$= \underline{\hspace{2cm}} \text{ K} \text{ ---- Original TA estimate was } \underline{\hspace{2cm}} \text{ K}$$

Now:

$$\left. \begin{aligned} KMB &= \underline{\hspace{2cm}} \text{ w/cm} \cdot \text{K at TB} \\ KMA &= \underline{\hspace{2cm}} \text{ w/cm} \cdot \text{K at TA} \end{aligned} \right\} \text{ Figure 4-22}$$

Now go around again.

$$R1 = \frac{\textcircled{1}}{KMH + KMB} = \frac{(\quad)}{(\quad) + (\quad)} = \underline{\hspace{2cm}} \text{ K/watt}$$

$$R2 = \frac{\textcircled{2}}{KMB + KMA} = \frac{(\quad)}{(\quad) + (\quad)} = \underline{\hspace{2cm}} \text{ K/watt}$$

$$R3 = \frac{\textcircled{3}}{KMA + KMC} = \frac{(\quad)}{(\quad) + (\quad)} = \underline{\hspace{2cm}} \text{ K/watt}$$

$$QC = \frac{THM - TCM}{R1 + R2 + R3} = \frac{(\quad) - (\quad)}{(\quad) + (\quad) + (\quad)} = \underline{\hspace{2cm}} \text{ watts}$$

$$TB = THM - R1(QC) = (\quad) - (\quad)(\quad)$$

$$= \underline{\hspace{2cm}} \text{ K} \text{ ---- Previous estimate was } \underline{\hspace{2cm}} \text{ K}$$

$$TA = TB - R2(QC) = (\quad) - (\quad)(\quad)$$

$$= \underline{\hspace{2cm}} \text{ K} \text{ ---- Original TA estimate was } \underline{\hspace{2cm}} \text{ K}$$

Now:

$$\left. \begin{aligned} KMB &= \underline{\hspace{2cm}} \text{ w/cm} \cdot \text{K at TB} \\ KMA &= \underline{\hspace{2cm}} \text{ w/cm} \cdot \text{K at TA} \end{aligned} \right\} \text{ Figure 4-22}$$

Now go around again.

$$R1 = \frac{1}{KMH + KMB} = \frac{(\quad)}{(\quad) + (\quad)} = \underline{\hspace{2cm}} \text{ K/watt}$$

$$R2 = \frac{kMB}{kMB + kMA} = \frac{(\quad)}{(\quad) + (\quad)} = \text{---} \text{ K/watt}$$

$$R3 = \frac{kMA}{kMA + kMC} = \frac{(\quad)}{(\quad) + (\quad)} = \text{---} \text{ K/watt}$$

$$QC = \frac{THM - TCM}{R1 + R2 + R3} = \frac{(\quad) - (\quad)}{(\quad) + (\quad) + (\quad)} = \text{---} \text{ watts}$$

$$TB = THM - R1(QC) = (\quad) - (\quad)(\quad)$$

= K ---- Previous estimate was K

$$TA = TB - R2(QC) = (\quad) - (\quad)(\quad)$$

= K ---- Original TA estimate was K

Does the difference significantly change the thermal conductivities?

Yes ----- Then go around again

No ----- Accept last QC as accurate

13.6 Regenerator Walls -

One regenerator wall will be calculated and then multiplied

NR. Using the numbers from 2.4

$$\text{Let } \textcircled{1} = \frac{4(LHB)}{AHTH + AHTB} = \frac{4(\quad)}{(\quad) + (\quad)} = \text{---}$$

$$\text{Then } R1 = \frac{kMB}{kMB + kMB} = \frac{(\quad)}{(\quad) + (\quad)} = \text{---} \text{ K/watt}$$

$$\text{Let } \textcircled{2} = \frac{4(LBA)}{AHTB + ARTA} = \frac{4(\quad)}{(\quad) + (\quad)} = \text{---}$$

$$\text{Then } R2 = \frac{kMB}{kMB + kMA} = \frac{(\quad)}{(\quad) + (\quad)} = \text{---} \text{ K/watt}$$

$$\text{Let } \textcircled{3} = \frac{4(LAC)}{ARTA + ARTC} = \frac{4(\quad)}{(\quad) + (\quad)} = \text{---}$$

$$\text{Then } R3 = \frac{kMA}{kMA + kMC} = \frac{(\quad)}{(\quad) + (\quad)} = \text{---} \text{ K/watt}$$

$$Q = \frac{THM - TCM}{R1 + R2 + R3} = \frac{(\quad) - (\quad)}{(\quad) + (\quad) + (\quad)} = \quad \text{watts}$$

$$TB = THM - R1(Q) = (\quad) - (\quad)(\quad)$$

$$= \quad \text{K} \text{ ---- Original estimate was } \quad \text{K}$$

$$TA = TB - R2(Q) = (\quad) - (\quad)(\quad)$$

$$TA = \quad \text{K} \text{ ---- Original estimate was } \quad \text{K}$$

Now:

$$\left. \begin{aligned} KMB &= \quad \text{w/cm} \cdot \text{K at TB} \\ KMA &= \quad \text{w/cm} \cdot \text{K at TA} \end{aligned} \right\} \text{Figure 4-22}$$

Now go around again:

$$R1 = \frac{\textcircled{1}}{KMH + KMB} = \frac{(\quad)}{(\quad) + (\quad)} = \quad \text{K/watt}$$

$$R2 = \frac{\textcircled{2}}{KMB + KMA} = \frac{(\quad)}{(\quad) + (\quad)} = \quad \text{K/watt}$$

$$R3 = \frac{\textcircled{3}}{KMA + KMC} = \frac{(\quad)}{(\quad) + (\quad)} = \quad \text{K/watt}$$

$$Q = \frac{THM - TCM}{R1 + R2 + R3} = \frac{(\quad) - (\quad)}{(\quad) + (\quad) + (\quad)} = \quad \text{watts}$$

$$TB = THM - R1(Q) = (\quad) - (\quad)(\quad)$$

$$= \quad \text{K} \text{ ---- Previous estimate was } \quad \text{K}$$

$$TA = TB - R2(Q) = (\quad) - (\quad)(\quad)$$

$$= \quad \text{K} \text{ ---- Previous estimate was } \quad \text{K}$$

Does the difference significantly change the thermal conductivities?

Yes then go around again

No then go on

$$QC = Q(NR) = (\quad) (\quad) = \quad \text{watts}$$

13.7 Regenerator Matrix (from 2.2.1)

13.7.1 Screen Stack (Equation 4-120)

KM w/cm · K at IR K (Fig. 4-2)

KG w/cm · K at IR K (Table 4-9)

$$\text{Let } \mathbb{D} = \begin{pmatrix} 1 + \frac{KM}{KG} & \\ & 1 - \frac{KM}{KG} \end{pmatrix}$$

$$KM \cdot KG \begin{pmatrix} \mathbb{D} & \\ & \mathbb{D}^{-1} \end{pmatrix} = \begin{pmatrix} & \\ & \end{pmatrix} \left(\begin{pmatrix} & \\ & \end{pmatrix} + \begin{pmatrix} & \\ & \end{pmatrix} \right)$$

..... w/cm · K

$$AHT = \frac{a}{4} (DR)^2 = \frac{a}{4} \left(\begin{pmatrix} & \\ & \end{pmatrix} \right)^2 \dots \text{cm}^2$$

$$QC = \frac{(NR)KM(AHT)(T_{HM} - T_{CM})}{LR} \left(\begin{pmatrix} & \\ & \end{pmatrix} \right) \left(\begin{pmatrix} & \\ & \end{pmatrix} \right) \left(\begin{pmatrix} & \\ & \end{pmatrix} \right) \dots$$

..... watts

13.7.2 Slots, Multiple Annuli (Equation 4-120a)

KM, KG see 3.2.1 (numbers from 2.2.2)

$$KM \cdot KG \frac{GR + THF}{GR + THF} \left(\begin{pmatrix} & \\ & \end{pmatrix} \right) \left(\begin{pmatrix} & \\ & \end{pmatrix} \right) + \left(\begin{pmatrix} & \\ & \end{pmatrix} \right) \left(\begin{pmatrix} & \\ & \end{pmatrix} \right)$$

..... w/cm · K

$$AHT = AF \left(\frac{GR + THF}{GR} \right) \left(\begin{pmatrix} & \\ & \end{pmatrix} \right) \left(\begin{pmatrix} & \\ & \end{pmatrix} \right) \dots \text{cm}^2$$

..... cm²

$$QC = \frac{KM(AHT)(T_{HM} - T_{CM})}{LR} \left(\begin{pmatrix} & \\ & \end{pmatrix} \right) \left(\begin{pmatrix} & \\ & \end{pmatrix} \right) \dots$$

..... watts

13.8 Summary of Static Heat Conduction

Section

13.1 Gas Cond. Inside Displ.	QC = _____	watts
13.2 Radiation Inside Displ.	QR = _____	
13.3 Displ. Wall	QC = _____	
13.4 Displacer Gap	QC = _____	
13.5 Cylinder Wall	QC = _____	
13.6 Regenerator Wall	QC = _____	
13.7 Regenerator Matrix	QC = _____	

Total QS = _____

14. Pumping Loss (Equation 4-126)

PMAX = _____ MPa from 6

PMIN = _____ MPa from 6

$$RM = \frac{R}{MW} = \frac{8.314}{MW} = \text{_____ } j/g \cdot K$$

$$MW = \begin{cases} 2.02 & \text{for } H_2 \\ 4.00 & \text{for He} \\ 29 & \text{for air} \end{cases}$$

Z1 = _____ (normally 1 except when gas temp. < 70 K)

$$QPU = \left(\frac{\pi DCY}{KG} \right)^{0.6} \frac{2(LD)(THM - TCM)}{1.5(Z1)} \left(\frac{(PMAX - PMIN)NU(CP)2}{(THM - TCM)RM} \right)^{1.6} GR^{2.6}$$

$$QPU = \left(\frac{\pi ()}{()} \right)^{0.6} \frac{2() ()}{1.5()}$$

$$\left(\frac{() () ()}{() () ()} \right)^{1.6} ()^{2.6}$$

= _____ watts

15. Temperature Swing Loss (Equation 4-128)

FCT = _____ see 11

ROM = _____ g/cm³

CPM = _____ j/g·K

from Standard References

For Screen Regenerators:

$$MMX = NR \frac{\pi}{4} (DR)^2 (LR) (FF) (ROM)$$

$$= (\quad) \frac{\pi}{4} (\quad)^2 (\quad) (\quad) (\quad)$$

$$= \underline{\hspace{2cm}} \text{ g}$$

For Slot Regenerators:

$$MMX = (LR) (THF) (AF) / GR = (\quad) (\quad) (\quad) / (\quad)$$

$$= \underline{\hspace{2cm}} \text{ g}$$

$$DELTMX = \frac{WHS (CV) (FCT) (THM - TCM)}{NU (MMX) (CPM)} = \frac{(\quad) (\quad) (\quad) (\quad)}{(\quad) (\quad) (\quad)}$$

$$= \underline{\hspace{2cm}} \text{ K}$$

$$QTS = (FCT) (WHS) (CV) (DELTMX) / 2$$

$$= (\quad) (\quad) (\quad) (\quad) / 2$$

$$= \underline{\hspace{2cm}} \text{ watts}$$

16. Internal Temperature Swing Loss

KM = _____ w/cm·K from Figure 4-22

For Screens:

$$LMX = THW / 2 = (\quad) / 2 = \underline{\hspace{2cm}} \text{ cm}$$

C3 = 0.25

For Slots:

$$LMX = THF / 2 = (\quad) / 2 = \underline{\hspace{2cm}} \text{ cm}$$

C3 = 0.32

$$\begin{aligned}
 QITS &= \frac{QTS(C3)(ROM)(CPM)(LMX)^2(NU)}{(KM)(FCT)} \\
 &= \frac{(\quad)(\quad)(\quad)(\quad)^2(\quad)}{(\quad)(\quad)} \\
 &= \underline{\hspace{2cm}} \text{ watts}
 \end{aligned}$$

17. Performance Summary

Net Power, watts	1st Iteration	2nd	3rd
BP = basic power = (from 7)	_____	_____	_____
WP = windage power = (from 8.4)	_____	} _____	} _____
MFL = mechanical friction loss = (from 9)	_____		
NP = BP - WP - MFL =	_____	_____	_____
= net power			

Net Heat Input (watts) (Equation 4-132)	1st It.	2nd	3rd
BHI = basic heat input = (see 10)	_____	_____	_____

Net Heat Input (watts)	1st It.	2nd	3rd
+QRH = reheat loss (see 11)	_____	}	
+QSH = shuttle heat cond. (see 12)	_____		
+ QS = static heat cond. (see 13.8)	_____		
+QPU = pumping loss (see 14)	_____		
+QTS = temp. swing loss (see 15)	_____		_____
+QITS = internal temp. swing loss (see 16)	_____		
-WPH = heater windage power (see 8.4)	_____		
$-\frac{WPR}{2}$ = half of regenerator windage power (see 8.4)	_____		
<hr/>			
QN = net heat input	_____	_____	_____

18. Heat Exchanger Duty

	1st It.	2nd	3rd
Gas Heater			
QGH = QN =	_____	_____	_____
Gas Cooler			
QGC = QN - NP =	_____	_____	_____
= () - ()			

19. Gas Heater

19.1 Tubular Type

RE = _____ from 8.2.1
 = _____

$\frac{LH}{DIH} = \frac{\quad}{\quad} = \frac{\quad}{\quad}$

From Figure 4-19:

$\frac{H(PR)^{\frac{2}{3}}}{CP(G)} = \textcircled{1} = \frac{\quad}{\quad}$

G = _____ g/cm² sec -- from 8.2.1

CV = _____ j/g · K -- from Table 4-8
 CP = _____ j/g · K -- from Table 4-8
 PR = _____ from Table 4-9

} for THM = _____ K

$H = \frac{\textcircled{1}(CP)(G)}{(PR)^{\frac{2}{3}}} = \frac{(\quad)(\quad)}{(\quad)^{\frac{2}{3}}} = \frac{\quad}{\quad} \text{ w/cm}^2 \cdot \text{K}$

AHT = (NTH)(π)(DIH)(LHHT) = () π () ()
 = _____ cm²

NTUH = $\frac{H(AHT)}{2(FCT)(WHS)(CV)} = \frac{(\quad)(\quad)}{2(\quad)(\quad)(\quad)}$
 = _____

1st Iteration

$$T_H = T_{HM} - \frac{Q_{GH}}{2(FCT)(WHS)(CV)(\exp(NTUH) - 1)}$$

$$= \frac{2(\dots)(\dots)(\dots)(\dots)}{2(\dots)(\dots)(\dots)(\dots)} = 1$$

$$\textcircled{1} = \dots$$

$$= \dots K$$

2nd Iteration

$$T_H = T_{HM} - \frac{Q_{GH}}{\textcircled{1}} = (\dots) - \{\dots\}$$

$$= \dots K$$

3rd Iteration

$$T_H = T_{HM} - \frac{Q_{GH}}{\textcircled{1}} = (\dots) - \{\dots\}$$

$$= \dots K$$

19.2 Annular Gap Type Heater (Equation 4-136) (from 2.1.2)

$$KG = \dots w/cm \cdot K \text{ -- from Table 4-9 at } T_{HM} = \dots K$$

$$H = \frac{4.86(KG)}{4(GH)} = \frac{1.22(\dots)}{(\dots)} = \dots w/cm^2 \cdot K$$

$$AHT = DCY(n)(LHHT) = n(\dots)(\dots) = \dots cm^2$$

$$NTUH = \frac{H(AHT)}{2(FCT)(WHS)(CV)} = 2(\dots)(\dots)(\dots) = \dots$$

1st Iteration

$$T_H = T_{HM} - \frac{Q_{GH}}{2(FCT)(WHS)(CV)(\exp(NTUH) - 1)}$$

$$= (\quad) - \frac{ \quad (\quad) (\quad) (\quad) (\exp(\quad) - 1) }{ 2(\quad) (\quad) (\quad) } \quad \textcircled{1} = \underline{\hspace{2cm}}$$

$$= \underline{\hspace{2cm}} \text{ K}$$

2nd Iteration

$$TH = THM - \frac{QGH}{\textcircled{1}} = (\quad) - (\underline{\hspace{2cm}}) =$$

$$= \underline{\hspace{2cm}} \text{ K}$$

3rd Iteration

$$TH = THM - \frac{QGH}{\textcircled{1}} = (\quad) - (\underline{\hspace{2cm}})$$

$$= \underline{\hspace{2cm}} \text{ K}$$

19.3 Isothermalizer Cone Type Heater (Equation 4-137)

KG = w/cm • K -- from Table 4-9 at THM = K

GTA = cm -- from 8.2.3

$$AHT = \pi(NC)(DC1) \sqrt{ \left(\frac{DC1}{2} \right)^2 + (LC1)^2 }$$

$$= \pi(\quad)(\quad) \sqrt{ \left(\frac{ \quad }{ 2 } \right)^2 + (\quad)^2 }$$

$$= \underline{\hspace{2cm}} \text{ cm}^2$$

1st Iteration

$$TH = THM - \frac{QGH}{ \left(\frac{6(KG)(AHT)}{GTA} \right) } = (\quad) - \left(\frac{ \quad (\quad) (\quad) }{ 6(\quad) (\quad) } \right)$$

$$\textcircled{1} = \underline{\hspace{2cm}}$$

$$TH = \underline{\hspace{2cm}} \text{ K}$$

2nd Iteration

$$T_H = T_{HM} - \frac{Q_{GH}}{\textcircled{1}} = (\quad) - (\quad)$$

$$= \underline{\hspace{2cm}} \text{ K}$$

3rd Iteration

$$T_H = T_{HM} - \frac{Q_{GH}}{\textcircled{1}} = (\quad) - (\quad)$$

$$= \underline{\hspace{2cm}} \text{ K}$$

20. Gas Cooler

20.1 Correction of effective cold metal temperature due to temperature rise in cooling water.

$$\Delta T = \frac{Q_{GC}}{FCW(4.1868)} = \left(\frac{\quad}{\quad} \right) 4.1868$$

$$= \underline{\hspace{2cm}} \text{ K}$$

$$TCM = TCWI + \Delta T/2$$

$$= \underline{\hspace{2cm}} + \left(\frac{\quad}{2} \right) = \underline{\hspace{2cm}} \text{ K}$$

20.2 Tubular Type

$$RE = \underline{\hspace{2cm}} \text{ from 8.3.1}$$

From Figure 4-19:

$$\frac{H(PR)^{\frac{2}{3}}}{CP(G)} = \textcircled{1} = \underline{\hspace{2cm}}$$

$$G = \underline{\hspace{2cm}} \text{ g/sec cm}^2 \text{ -- from 8.3.1}$$

$$WCS = \underline{\hspace{2cm}} \text{ g/sec -- from 8.3.1}$$

$$\left. \begin{array}{l} CV = \underline{\hspace{2cm}} \text{ j/g}\cdot\text{K} \\ CP = \underline{\hspace{2cm}} \text{ j/g}\cdot\text{K} \end{array} \right\} \text{ From Table 4-8}$$

$$PR = \underline{\hspace{2cm}} \text{ from Table 4-9}$$

$$\text{for- TCM} = \underline{\hspace{2cm}} \text{ K}$$

$$H = \frac{1(CP)(G)}{(PR)^{\frac{2}{3}}} = \frac{(\quad)(\quad)(\quad)}{(\quad)^{\frac{2}{3}}} = \underline{\hspace{2cm}} \text{ w/cm}^2 \cdot \text{K}$$

$$\text{AHT} = (\text{NTC})(\pi)(\text{DIC})(\text{LCHT}) = (\quad)\pi(\quad)(\quad) \\ = \underline{\hspace{2cm}} \text{ cm}^2$$

$$\text{NTUC} = \frac{H(\text{AHT})}{2(\text{FCT})(\text{WCS})(\text{CV})} = \frac{2(\quad)(\quad)(\quad)}{2(\quad)(\quad)(\quad)} \\ = \underline{\hspace{2cm}}$$

First Iteration

$$\text{TC} = \text{TCM} + \frac{\text{QGC}}{2(\text{FCT})(\text{WCS})(\text{CV})(\exp(\text{NTUC}) - 1)}$$

$$\text{TC} = (\quad) + \frac{(\quad)}{2(\quad)(\quad)(\quad)(\exp(\quad) - 1)} \\ \textcircled{1} = \underline{\hspace{2cm}} \\ = \underline{\hspace{2cm}} \text{ K}$$

2nd Iteration

$$\text{TC} = \text{TCM} + \frac{\text{QGC}}{\textcircled{1}} = (\quad) + \left\{ \frac{\quad}{\quad} \right\} \\ = \underline{\hspace{2cm}} \text{ K}$$

3rd Iteration

$$\text{TC} = \text{TCM} + \frac{\text{QGC}}{\textcircled{1}} = (\quad) + \left\{ \frac{\quad}{\quad} \right\}$$

20.3 Annular Gap Type Cooler (Equation 4-136)

$$\text{KG} = \underline{\hspace{2cm}} \text{ w/cm} \cdot \text{K} \text{ from Table 4-9 at } \text{TCM} = \underline{\hspace{2cm}} \text{ K}$$

$$H = \frac{1.22\text{KG}}{\text{GC}} = \frac{1.22(\quad)}{(\quad)} = \underline{\hspace{2cm}} \text{ w/cm}^2 \cdot \text{K}$$

$$\text{AHT} = (\text{DCY})\pi(\text{LCHT}) = \pi(\quad)(\quad) = \underline{\hspace{2cm}} \text{ cm}^2$$

Calculate NTUC and TC in 20.1

20.4 Isothermalizer Cone Type Cooler (Equation 4-138)

KG = _____ w/cm • K -- from Table 4-9 at TCM = _____ K

GTA = _____ cm from 8.3.3

From 2.3.3:

$$\begin{aligned}
 AHT &= \pi(NC)(DC1) \sqrt{\left(\frac{DC1}{2}\right)^2 + (LC1)^2} \\
 &= \pi(\quad)(\quad) \sqrt{\left(\frac{ \quad }{2}\right)^2 + (\quad)^2} \\
 &= \text{_____ cm}^2
 \end{aligned}$$

1st Iteration

$$TC = TCM + \frac{QGC}{\left(\frac{6(KG)(AHT)}{GTA}\right)} = (\quad) + \left(\frac{ \quad }{ \quad } \right)$$

① = _____

TC = _____ K

2nd Iteration

$$\begin{aligned}
 TC &= TCM + \frac{QGC}{\text{①}} = (\quad) + (\quad) \\
 &= \text{_____ K}
 \end{aligned}$$

3rd Iteration

$$\begin{aligned}
 TC &= TCM + \frac{QGC}{\text{①}} = (\quad) + (\quad) \\
 &= \text{_____ K}
 \end{aligned}$$

21. Conclusion

Final Net Power = _____ watts

Final Indicated Power = _____ watts
 Final Net Heat Input = _____ watts
 Brake Efficiency = _____ %
 Indicated Efficiency = _____ %

7.2 Sample Design Calculation

In Section 7.1 a design form was presented which would allow the designer to start with a set of dimensions and operating conditions for his machine and then calculate through a series of equations, all conveniently specified, to determine the basic power output and heat input as well as the power losses and heat losses. The end result is a computed net heat input and power output and a net efficiency. In this section this form is excerpted to show only those parts that need to be filled out to calculate the expected performance of the GPU-3 engine described in Section 3.3. In particular, Test Point 1 on Table 3-8 is calculated as a sample. The GPU-3 engine is classified as a Beta type engine with a single displacer and power piston pair and a rhombic drive.

1. Type of Piston Arrangement

1.2 Beta: Displacer-Piston Overlapping Strokes

DCY = diameter of engine cylinder 7.010 cm.

SD = stroke of displacer 3.068 cm

SP = stroke of power piston 3.068 cm.

DDR = diameter of displacer drive rod 0.953 cm

2. Dead Volumes and Heat Exchangers and Wall Thicknesses

2.1 Volumes and Heat Exchangers at Heat Source Temperature

VHDX = extra hot dead volume besides that in the gas heater
12.389 cm.³

2.1.1 Tubular Gas Heater

NTH = number of heater tubes per power unit 40

LH = total length of each heater tube 24.229 cm.

LHHT = heated length of each heater tube 15.545 cm.

DIH = inside diameter of heater tubes 0.302 cm.

DOH = outside diameter of heater tubes 0.483 cm.

2.2 Volumes at Regenerator Temperature

2.2.1 Screen Regenerators

LR = length of regenerator 2.261 cm.

NR = number of regenerators/unit 8.

DR = diameter of each regenerator 2.261 cm.

NS = number of screen layers 308.

MSH = mesh size 83.9 wires/cm.

THW = thickness of wire in screens 0.0041 cm.

FF = filler factor, fraction of regenerator volume
filled with wires 0.286.

Screen material Stainless Steel.

2.2.3 Displacer or Hot Cap Gap Volume

LD = length of displacer 4.359 cm.

DCY = diameter of cylinder around displacer 7.010 cm.

GR = gap between displacer and cylinder wall 0.025 cm.

Displacer wall material Stainless Steel.

Cylinder wall material Stainless Steel.

WT1 = wall thickness of displacer, 0.178 cm.

WT2 = wall thickness of cylinder wall 0.406 cm.

EH = emissivity of hot inside of displacer or cylinder wall
0.6.

EC = emissivity of cold inside of displacer or cylinder
wall 0.5.

NRS = number of radiation shields inside the displacer
or hot cap 2.

2.3 Volumes and Heat Exchangers at Heat Sink Temperature

VCDX = extra cold dead volume besides that in the gas cooler

$$\underline{5.782} \text{ cm}^3, \left[\frac{\pi}{4} (0.235)^2 (0.625) + 0.017 \right] 8(2.54)^3$$

2.3.1 Tubular Gas Cooler

NTC = number of cooler tubes per power unit 312.

LC = total length of each cooler tube 4.470 cm.

LC_{HT} = cooled length of each cooler tube 3.480 cm.

DIC = inside diameter of cooler tubes 0.102 cm.

DOC = outside diameter of cooler tubes 0.152 cm.

2.4 Regenerator Wall Dimensions (see Figure 4-23)

AHTH = heat conduction area at hot end 1.425 cm².

AHTB = heat conduction area at level B 1.425 cm².

AHTA = heat conduction area at level A 0.853 cm².

AHTC = heat conduction area at cold end 1.425 cm².

LHB = hot length regenerator wall 1.016 cm.

LBA = middle length regenerator wall 1.194 cm.

LAC = cold length regenerator wall 0.051 cm.

Regenerator wall material Stainless Steel.

Temp	K
THM	<u>978</u>
TB	<u>800</u> (est.)
TA	<u>350</u> (est.)
TCM	<u>294</u>

	Thermal Conductivity
KMH	<u>0.25</u> w/cm·K
KMB	<u>0.225</u>
KMA	<u>0.16</u>
KMC	<u>0.15</u>

2.5 Cylinder Wall Dimensions (see Figure 4-24)

- AHTH = heat conduction area at hot end 15.915 cm².
- AHTB = heat conduction area at level B 10.726 cm².
- AHTA = heat conduction area at level A 9.469 cm².
- AHTC = heat conduction area at cold end 15.915 cm².
- LHB = hot length regenerator wall 2.858 cm.
- LBA = middle length regenerator wall 1.016 cm.
- LAC = cold length regenerator wall 1.245 cm.
- Cylinder wall material Stainless Steel.

Level Temp K	Thermal Conductivity
THM = <u>978</u>	KMH = <u>0.25</u> w/cm·K
TB = <u>800</u> (est)	KMB = <u>0.225</u>
TA = <u>350</u> (est)	KMA = <u>-0.16</u>
TCM = <u>294</u>	KMC = <u>0.15</u>

3. Drives

N = Number of power units/engine 1.

3.3 Beta-Rhombic Drive

- LCR = connecting rod length 4.602 cm.
- RC = crank radius 1.397 cm.
- ECC = crank eccentricity (see Figure 3-30) 2.065 cm.

4. Given Operating Conditions

TC = effective temperature in cold, compression space 300 K.

$K = \text{C} + 273.1$
 $K = (\text{F} + 460)/1.8$

Make initial estimate

TH = effective temperature in hot, expansion space, 978 K.

FCW = cooling water flow 379 g/sec.

TCWI = Temperature of cooling water into engine 294.4 K.

NU = engine frequency 25 Hz

(Hz = RPM/60)

P_{MAX} = maximum engine pressure Not Spec. MPa.

MPa = 0.006894 (psia)

= 0.1013 (atm)

P_{AVG} = time averaged mean pressure 2.068 MPa.

THM = heat source metal temperature 978 K.

TCM = heat sink metal temperature 295 K.

Working Gas Hydrogen.

5. Computation of Engine Volumes

5.1 Live Volumes

Note: Live volumes for crank and rhombic drives need not be defined.

5.2 Dead Volumes

V_{HD} = hot dead volume, cm³

for tubular gas heater

$$= V_{HDX} + \frac{\pi}{4} (DIH)^2 (LH) (NTH)$$

$$= \underline{12.389} + \frac{\pi}{4} (0.302)^2 (24.229) (40) = \underline{81.811} \text{ cm}^3.$$

V_{RD} = regenerator dead volume, cm³

for screen regenerators, short calculation.

$$V_{RD} = NR \left(\frac{\pi}{4} \right) (DR)^2 (LR) (1 - FF)$$

$$= (8) \frac{\pi}{4} (2.261)^2 (2.261) (1 - .286) = \underline{51.854} \text{ cm}^3.$$

VCD = cold dead volume

for tubular gas coolers

$$VCD = VCDX + \frac{\pi}{4}(DIC)^2(LC)(NTC)$$

$$= \underline{5.782} + \frac{\pi}{4} (0.102)^2 (4.470) (312) = \underline{17.178} \text{ cm}^3.$$

6. General Intermediate Parameters

$$TR = (THM - TCM) / \ln(THM/TCM)$$

$$= (978 - 295) / \ln(978 / 295) = \underline{570} \text{ K}$$

7.4 Rhombic Drive Philips Engine (See Figure 4-15 and 4-16)

$$A = \sqrt{(LCR)^2 - (ECC - RC)^2}$$

$$= \sqrt{(4.602)^2 - (2.065 - 1.397)^2} = \underline{4.553} \text{ cm}$$

$$B = \sqrt{(LCR)^2 - (ECC + RC)^2}$$

$$= \sqrt{(4.602)^2 - (2.065 + 1.397)^2} = \underline{3.034} \text{ cm}$$

For a Check:

$$VCL = (A - B) \frac{\pi}{2} \left((DCY)^2 - (DDR)^2 \right)$$

$$= (4.553 - 3.034) \frac{\pi}{2} \left((7.010)^2 - (0.953)^2 \right) = \underline{115.06} \text{ cm}^3.$$

$$VCLX = \frac{\pi}{2} \left((DCY)^2 - (DDR)^2 \right) \left\{ A - \sqrt{(LCR)^2 - (ECC - RC \cos(\text{PHI}))^2} \right\}$$

$$= \frac{75.762}{2} \left(\frac{4.553}{2} - \sqrt{21.178 - \left(\frac{2.065}{2} - \frac{1.395}{2} \cos(\text{PHI}) \right)^2} \right)$$

$$VC = VCD + VCLX = VCLX + 17.178$$

$$VC = \underline{17.178} + \frac{75.762}{2} \left(\frac{4.553}{2} - \sqrt{21.178 - \left(\frac{2.065}{2} - \frac{1.395}{2} \cos(\text{PHI}) \right)^2} \right)$$

VC is calculated for PHI = 0, 30, 60,, 360⁰
 (See next page)

$$D1 = \sqrt{(LCR + RC)^2 - (ECC)^2}$$

$$= \sqrt{(4.602 + 1.397)^2 - (2.065)^2} = \underline{5.632} \text{ cm.}$$

$$C = \sqrt{(LCR - RC)^2 - (ECC)^2}$$

$$= \sqrt{(4.602 - 1.397)^2 - (2.065)^2} = \underline{2.451} \text{ cm}$$

$$VHL = (D1 - C) \frac{\pi}{4} (DCY)^2$$

$$= (5.632 - 2.451) \frac{\pi}{4} (7.010)^2 = \underline{122.784} \text{ cm}^3.$$

$$VH = VHLX + VHD = \frac{\pi}{4} (DCY)^2 \left\{ \sqrt{(LCR)^2 - (ECC - (RC)\cos(PHI))^2} \right. \\ \left. + RC \sin(PHI) - C \right\} + VHD$$

$$VH = \frac{\pi}{4} (7.010)^2 \left\{ \sqrt{(4.602)^2 - (2.065 - 1.367\cos(PHI))^2} \right. \\ \left. + \underline{1.397} \sin(PHI) - \underline{2.451} \right\} + \underline{81.811}$$

$$VH = \underline{38.595} \left[\sqrt{\underline{21.178} - (2.065 - \underline{1.397} \cos(PHI))^2} + \underline{1.397} \sin(PHI) \right. \\ \left. - \underline{2.451} \right] + \underline{81.811}$$

VH is calculated for PHI = 0 + 360 (See next page)

$$VT = VH + VC + VRD = VH + VC + \underline{51.854}$$

VT is calculated for PHI = 0 + 360 (See next page)

$$P = \frac{1}{\frac{VH}{TH} + \frac{VRD}{TR} + \frac{VC}{TC}} = \frac{1}{\frac{VH}{978} + \frac{51.854}{570} + \frac{VC}{300}}$$

P is calculated for PHI = 0 to 360 (See next page)

COMPUTATION OF BETA PHILIPS BASIC POWER

PHI	VH	VC	VT	P	PC	DELW	FH	FC
0	162.944	17.178	231.976	3.176	2.697	+72.127	0.553	0.187
30	188.690	19.558	260.101	2.865	2.432	+55.965	0.525	0.246
60	203.507	29.211	284.572	2.523	2.142	+35.142	0.441	0.363
90	199.856	50.557	302.267	2.156	1.830	+14.967	0.328	0.506
120	175.929	83.348	311.131	1.823	1.547	- 4.558	0.228	0.626
150	138.956	117.186	307.996	1.603	1.361	-26.198	0.167	0.691
180	104.231	132.433	288.518	1.565	1.329	-48.592	0.153	0.687
210	85.040	117.186	254.080	1.759	1.493	-61.153	0.186	0.613
240	82.543	83.348	217.744	2.207	1.873	-49.813	0.266	0.477
270	92.023	50.557	194.434	2.828	2.401	- 8.481	0.324	0.324
300	110.121	29.211	191.186	3.323	2.821	+42.815	0.469	0.222
330	134.773	19.558	206.185	3.402	2.888	+72.021	0.529	0.182
360	162.944	17.178	231.976	3.176	2.697	94.242		
				12	29.230			

$$M(R) = \frac{PAVG}{PM} = \frac{2.068}{2.436} = 0.8490 \quad J/K$$

$$PM = 2.436$$

More accurate calculation
by programmable calculator
gives 94.218

$$PM = \frac{\sum_{PHI=30}^{PHI=360} P}{12} \quad PM = \underline{2.436}$$

(see previous page)

Note: Do Not Add in P at PHI = 0

$$M(R) = \frac{PAVG}{PM} = \frac{2.068}{2.436} = \underline{0.8490 \text{ J/K}}$$

$$PC = P \left(\frac{PAVG}{PM} \right) = P (0.8490)$$

PC is calculated for PHI = 0, 30,, 360 on previous page.

PC is integrated verses VT using the trapezoidal rule, ie.

$$DELW = \frac{PC1 + PC2}{2} (VT2 - VT1)$$

For the first increment the subscript 1 stands for PHI = 0° and the subscript 2 stands for PHI = 30°. For the second increment the subscript 1 stands for PHI = 30° and the subscript 2 stands for PHI = 60°. DELW is summed for all 12 increments.

$$BP = NU(1.045) \sum_1^{12} DELW$$

$$= \underline{25} (1.045) \underline{94.218} = \underline{2461} \text{ watts.}$$

The mass flow rates are now computed

$$FH = \frac{P(VH)}{M(R)(TH)} = \frac{P(VH)}{(0.8490)(978)}$$

$$M(R) = \underline{0.8490 \text{ J/K}}$$

$$M = \frac{M(R)}{8.314} = \frac{0.8490}{8.314}$$

$$M = \underline{0.1021} \text{ g mol}$$

FH is calculated for PHI = 30 to 360 (results on previous page) and is graphed on Figure 7-1.

$$FHMAX = \underline{0.560} \quad FHMIN = \underline{0.155}$$

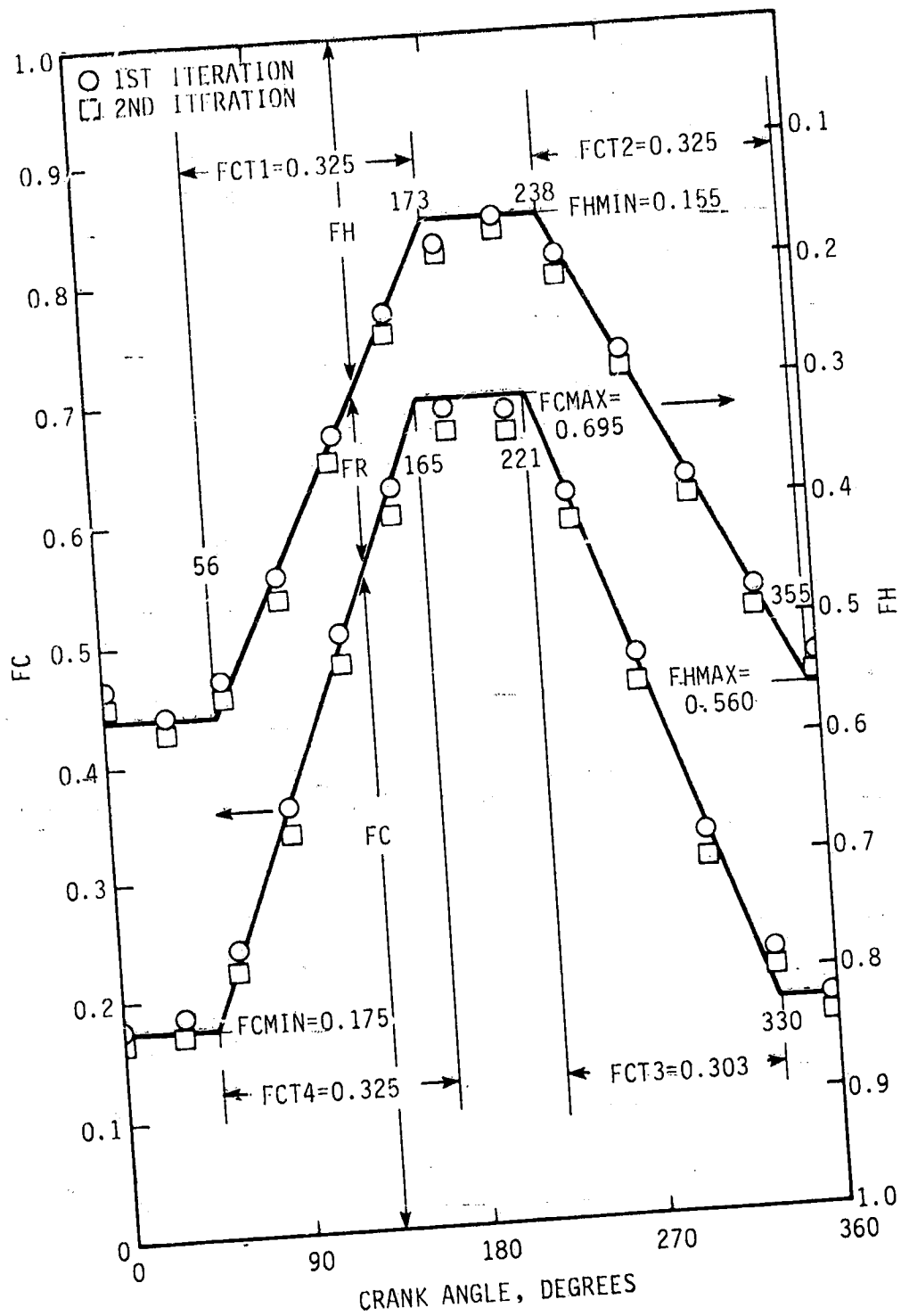


Figure 7-1. Mass Flow Approximation.

$$FCT1 = \frac{0.325}{1} \quad FCT2 = \frac{0.325}{1}$$

$$FCTH = \frac{FCT1 + FCT2}{2} = \frac{0.325 + 0.325}{2} = 0.325$$

$$WHS = \frac{(FIMAX - FIMIN)M(MW)}{FCTH/NU}$$

$$= \frac{(0.560 - 0.155)(0.1021)(2.02)}{(0.325)/(25)} = 6.425 \text{ g/sec}$$

$$FC = \frac{P(VC)}{M(R)(TC)} = \frac{P(VC)}{(0.8490)(300)}$$

FC is calculated for PHI = 30 to 360° (see previous table) and is graphed on Figure 7-1.

$$FCMAX = 0.695 \quad FCMIN = 0.175$$

$$FCT3 = \frac{0.303}{1} \quad FCT4 = \frac{0.325}{1}$$

$$FCTC = \frac{FCT3 + FCT4}{2} = \frac{0.303 + 0.325}{2} = 0.314$$

$$WCS = \frac{(FCMAX - FCMIN)M(MW)}{FCTC/NU}$$

$$= \frac{(0.695 - 0.175)(0.1021)(2.02)}{(0.314)/(25)} = 8.538 \text{ g/sec}$$

For regenerator:

$$FCT = \frac{FCTH + FCTC}{2} = \frac{0.325 + 0.314}{2} = 0.320$$

$$WRS = \frac{WHS + WCS}{2} = \frac{6.425 + 8.538}{2} = 7.482 \text{ g/sec}$$

8. Fluid Friction loss

8.1 Regenerator Windage

$$8.1.1 \text{ Screens -- VHL} = \frac{122.784}{\text{cm}^3} \text{ (from 5.1 or 7.4)}$$

$$\text{TR} = \frac{570}{\text{K}} \text{ (from 6)}$$

$$\text{PAVG} = \frac{2.068}{\text{MPa}} \text{ (from 4)}$$

for hydrogen:

$$\text{MU} = 88.73 \times 10^{-6} + 0.2 \times 10^{-6} (\text{TR} - 293) + 0.118 \times 10^{-6} (\text{PAVG})$$

$$= \frac{\quad}{570} \quad \frac{2.068}{\quad}$$

$$= \frac{144.4 \times 10^{-6}}{\text{g/cm sec}}$$

$$\text{RHOM} = \text{mean gas density} \quad \text{MW} = \begin{matrix} \text{H}_2 & \text{He} & \text{air} \\ \text{2.02} & 4.00 & 29 \end{matrix}$$

$$= \frac{\text{MW}}{22,414} \times \frac{\text{PAVG}}{0.1013} \times \frac{273}{\text{TR}} = 0.1202 \frac{\text{MW}(\text{PAVG})}{\text{TR}}$$

$$= \frac{0.1202(2.02)(2.068)}{(570)} = \frac{8.81 \times 10^{-4}}{\text{g/cm}^3}$$

For numerical Schmidt analysis (from 7.4)

$$\text{WRS} = \frac{7.482}{\text{g/sec}}$$

$$\text{AC} = \frac{\text{VRD}}{\text{LR}} = \frac{51.854}{2.261} = \frac{22.93}{\text{cm}^2}$$

$$\text{G} = \frac{\text{WRS}}{\text{AC}} = \frac{7.482}{22.93} = \frac{0.3262}{\text{g/sec cm}^2}$$

$$\text{AHT} = \frac{(\pi)^2}{2} (\text{MSH})(\text{THW})(\text{DR})^2(\text{NR})(\text{NS})$$

$$= \frac{(\pi)^2}{2} (83.9)(.0041)(2.261)^2(8)(308)$$

$$= \frac{21382}{\text{cm}^2}$$

$$RH = AC(LR)/(AHT) = \frac{(22.93)(2.261)}{21382} = \underline{2.425 \times 10^{-3}} \text{ cm}$$

$$RE = \frac{4(RH)G}{\mu} = \frac{4(2.425 \times 10^{-3})(0.3262)}{(1.44 \times 10^{-4})} = \underline{21.97}$$

If $RE < 60$: ✓

$$\log F = 1.73 - 0.93 \log (RE)$$

$$\underline{3.035} \qquad \qquad \qquad \underline{21.97}$$

If $60 < RE < 1000$:

$$\log F = 0.714 - 0.365 \log (RE)$$

$$\underline{\hspace{2cm}} \qquad \qquad \qquad \underline{\hspace{2cm}}$$

If $RE > 1000$:

$$\log F = 0.015 - 0.125 \log (RE)$$

$$\underline{\hspace{2cm}} \qquad \qquad \qquad \underline{\hspace{2cm}}$$

$$DELP = \frac{F(G)^2 (LR)}{2(10^7)(RH)(RHOM)}$$

$$DELP = \frac{(3.035)(.3262)^2(2.261)}{(2 \times 10^7)(2.42 \times 10^{-3})(8.81 \times 10^{-4})} = \underline{0.0172} \text{ MPa}$$

For numerical Schmidt analysis

$$WPR = \frac{(DELP)(WRS)(2)(FCT)}{(RHOM)}$$

$$= \frac{(0.0172)(7.482)^2(0.320)}{(8.81 \times 10^{-4})} = \underline{93} \text{ watts}$$

8.2 Gas Heater Windage

8.2.1 Tubular Heater

for Hydrogen:

$$\begin{aligned} \text{MU} &= 10^{-6} \{ 88.73 + 0.2(\text{THM} - 293) + 0.118(\text{PAVG}) \} \\ &= \frac{978}{2.068} \\ &= 2.26 \times 10^{-4} \text{ g/cm}\cdot\text{sec} \end{aligned}$$

$$\text{MW} = \begin{matrix} \text{H}_2 & \text{He} & \text{air} \\ \text{2.02} & 4.00 & 29 \end{matrix}$$

$$\begin{aligned} \text{RHOM} &= 0.1202 \text{ MW}(\text{PAVG})/(\text{THM}) \\ &= 0.1202(2.02)(2.068)/(978) = 5.13 \times 10^{-4} \text{ g/cm}^3 \end{aligned}$$

For numerical Schmidt analysis (from 7.4)

$$\text{WHS} = 6.425 \text{ g/sec}$$

$$\text{AC} = (\text{NTH})(\text{DIH})^2 \pi/4 = (40)(.302)^2 \pi/4 = 2.87 \text{ cm}^2$$

$$\text{G} = \text{WHS}/\text{AC} = \frac{6.425}{2.87} = 2.239 \text{ g/cm}^2 \cdot \text{sec}$$

$$\text{RE} = \frac{(\text{DIH})\text{G}}{\text{MU}} = \frac{(.302)(2.239)}{(2.26 \times 10^{-4})} = 2991$$

$$\text{If } \text{RE} < 2000, \text{ F} = 16/\text{RE} = 16/(\quad) =$$

$$\checkmark \text{ If } \text{RE} > 2000, \log \text{ F} = -1.34 - 0.20 \log (\text{RE})$$

$$\frac{9.22 \times 10^{-3}}{2991}$$

For numerical Schmidt analysis

$$\begin{aligned} \text{DEL P} &= \frac{2(\text{F})(\text{G})^2(\text{LH})}{10^7(\text{DIH})(\text{RHOM})} \\ &= \frac{2(9.22 \times 10^{-3})(2.239)^2(24.23)}{10^7(0.302)(5.13 \times 10^{-4})} = 0.00145 \text{ MPa} \end{aligned}$$

$$WPH = \frac{DELP(WHS)^2(FCTH)}{RHOM}$$

$$= \frac{(0.00145)(6.425)^2(0.325)}{(5.13 \times 10^{-4})} = \underline{11.77} \text{ watts}$$

8.3 Gas Cooler Windage

8.3.1 Tubular Cooler

for Hydrogen:

$$MU = 10^{-6} \left\{ 88.73 + 0.2(TCM - 293) + 0.118(PAVG) \right\}$$

$$= \frac{8.94 \times 10^{-5} \text{ g/cm sec}}{\frac{295}{2.068}}$$

$$MW = \begin{matrix} \text{H}_2 & \text{He} & \text{air} \\ \text{2.02} & 4.00 & 29 \end{matrix}$$

$$RHOM = 0.1202(MW)(PAVG)/TCM$$

$$= 0.1202(2.02)(2.068)/(295) = \underline{1.70 \times 10^{-3} \text{ g/cm}^3}$$

For numerical Schmidt analysis (from 7.4)

$$WCS = \underline{8.538} \text{ g/sec}$$

$$AC = (NTC)(DIC)^2 \frac{\pi}{4} = (312)(0.102)^2 \frac{\pi}{4} = \underline{2.55} \text{ cm}^2$$

$$G = \frac{WCS}{AC} = \frac{8.538}{2.55} = \underline{3.348} \text{ g/sec cm}^2$$

$$RE = \frac{(DIC)G}{MU} = \frac{(0.102)(3.348)}{(8.94 \times 10^{-5})} = 3820$$

$$\text{If } RE < 2000, F = 16/RE = 16/(\quad) =$$

$$\checkmark \text{ If } RE > 2000, \log F = -1.34 - 0.20 \log(RE)$$

$$\frac{8.78 \times 10^{-3}}{3820}$$

For numerical Schmidt analysis---

$$\text{DELP} = \frac{2(F)(G)^2(LC)}{10^7(DIC)(RHOM)} = \frac{2(6.78 \times 10^{-3})(3.348)^2(4.47)}{10^7(0.102)(1.70 \times 10^{-3})}$$

$$= 5.075 \times 10^{-4} \text{ MPa}$$

$$\text{WPC} = \frac{\text{DELP}(WCS)^2(\text{FCTC})}{RHOM}$$

$$= \frac{(5.075 \times 10^{-4})(8.538)^2(0.314)}{(1.70 \times 10^{-3})} = 1.60 \text{ watts}$$

8.4 Fluid Friction Loss Summary

Gas Heater, WPH = 12 watts

Regenerator, WPR = 93 watts

Gas Cooler, WPC = 2 watts

Total, WP = 107 watts

9. Mechanical Friction Loss

MFL = _____ based upon experimental measurement

or

MFL = 0.2 BP = 0.2 (2461) = 492 watts

10. Basic Heat Input

$$\text{BHI} = \frac{\text{BP}}{\left(1 - \frac{\text{TC}}{\text{TH}}\right)} = \frac{2461}{\left(1 - \frac{300}{978}\right)} = 3550 \text{ watts}$$

11. Reheat Loss

11.1 Constant Volume Assumption (Equation 4-97)

FCT = 0.32 (usually 1/3) (from 7.4)

WRS = 7.482 g/sec (from 8.1)

$$CV = \underline{10.42} \quad \text{for TR} = \underline{570} \quad \text{K (see Table 4-8)}$$

$$CP = \underline{14.55} \quad \text{for TR} = \underline{570} \quad \text{K (see Table 4-8)}$$

$$AHT = \underline{21382} \quad \text{cm}^2 \quad (\text{from 8.1})$$

$$G = \underline{0.3262} \quad \text{g/cm}^2 \text{ sec (from 8.1)}$$

$$PR = \underline{0.753} \quad \text{for TR} = \underline{570} \quad \text{°K (see Table 4-9)}$$

$$RE = \underline{21.97} \quad (\text{from 8.1})$$

$$\log \left(\frac{H}{G(CP)} (PR)^{\frac{2}{3}} \right) = -0.13 - 0.412 \log (RE)$$

$$\log \left(\frac{H}{(0.3262)(14.55)} (0.753)^{\frac{2}{3}} \right) = -0.13 - 0.412 \log (21.97)$$

$$H = \underline{1.190} \quad \text{w/cm}^2 \quad \text{K}$$

$$NTUV = \frac{H(AHT)}{(WRS)(CV)} = \frac{(1.190)(21382)}{(7.482)(10.42)} = \underline{326.4}$$

$$QRH = (FCT)(WRS)(CV)(THM - TCM) \left(\frac{2}{NTUV + 2} \right)$$

$$= (0.32)(7.482)(10.42)(978 - 295) \left(\frac{2}{326.4 + 2} \right)$$

$$= \underline{103.76} \quad \text{watts}$$

12. Shuttle Conduction

12.1 High-Pressure Engine (Equation 4-110)

$$KG = \underline{28.06 \times 10^{-4}} \quad \text{w/cm K at TR} = \underline{570} \quad \text{K (From Table 4-9)}$$

$$LT1 = \underline{0.152} \quad \text{cm} \quad \left. \begin{array}{l} \\ \\ \end{array} \right\} @ \text{ NU} = \underline{25} \quad \text{HZ (From Table 4-11)}$$

$$LT2 = \underline{0.152} \quad \text{cm} \quad \left. \begin{array}{l} \\ \\ \end{array} \right\} (LT \propto \sqrt{NU})$$

$$K1 = \underline{0.19} \quad \text{w/cm K} \quad \left. \begin{array}{l} \\ \\ \end{array} \right\} \text{From Figure 4-23}$$

$$K2 = \underline{0.19} \quad \text{w/cm K}$$

$$LB = 1 + \frac{KG}{2 \pi GR} \left(\frac{LT1}{K1} + \frac{LT2}{K2} \right)$$

$$LB = 1 + \frac{28.06 \times 10^{-4}}{2 \pi (0.025)} \left(\frac{0.152}{0.19} + \frac{0.152}{0.19} \right)$$

$$LB = \underline{0.129}$$

$$QSH = \left(\frac{1 + LB}{1 + (LB)^2} \right) \frac{\pi}{8} \frac{(SD)^2 (KG) (THM - TCM) (DCY)}{(GR) (LD)}$$

$$= \left(\frac{1 + 0.129}{1 + (0.129)^2} \right) \frac{\pi}{8} \frac{(3.068)^2 (28.06 \times 10^{-4}) (978 - 295) (7.010)}{(0.025) (4.359)}$$

$$= \underline{449} \text{ watts}$$

13. Static Heat Conduction.

13.1 Gas Conduction Inside Displacer or Hot Cap

$$DID = DCY - 2(GR) - 2(WT1) = \underline{6.604} \text{ cm}$$

(Direct from engine dimensions)

$$AHT = \frac{\pi}{4} (DID)^2 = \frac{\pi}{4} (6.604)^2 = \underline{34.25} \text{ cm}^2$$

$$KG = \underline{28.06 \times 10^{-4}} \text{ w/cm} \cdot \text{C from 12}$$

$$QC = \frac{KG (AHT) (THM - TCM)}{(LD)} = \frac{(28.06 \times 10^{-4}) (34.25) (978 - 295)}{(4.359)}$$

$$= \underline{15} \text{ watts.}$$

13.2 Radiation Inside Displacer or Hot Cap

$$\frac{DID}{LD} = \frac{6.604}{4.359} = \underline{1.515}$$

If:

$$0 < \frac{DID}{LD} < 0.2 \text{ then } FA = \frac{DID}{LD}$$

If:

$$\checkmark 0.2 < \frac{DID}{LD} \leq 7 \text{ then } FA = 0.50 + 0.20 \ln\left(\frac{DID}{LD}\right) \quad FA = 0.583$$

If:

$$\frac{DID}{LD} > 7 \text{ then } FA = 1$$

$$FE = (EH)(EC) = (0.6)(0.5) = \underline{0.3}$$

$$FN = \frac{1}{1 + NRS} = \frac{1}{1 + 2} = \underline{1/3}$$

$$AHT = \underline{34.25} \text{ cm}^2 \text{ (from 13.1)}$$

$$\begin{aligned} QR &= (FA)(FE)(FN)(AHT)(5.67 \times 10^{-12}) \left((THM)^4 - (TCM)^4 \right) \\ &= (0.583)(0.3)(1/3)(34.25)5.67 \times 10^{-12} \\ &\quad \left((978)^4 - (295)^4 \right) \\ &= \underline{10} \text{ watts} \end{aligned}$$

13.3 Displacer Cylinder Wall

$$KM = \underline{0.19} \text{ w/cm } K \text{ at } TR = \underline{570} \text{ K (Figure 4-22)}$$

$$\begin{aligned} AHT &= \frac{\pi}{4} \left((DCY - 2GR)^2 - (DID)^2 \right) = \frac{\pi}{4} \left(\left(\overbrace{(6.96)}^{6.96} - 2(6.604) \right)^2 \right) \\ &= \underline{3.788} \text{ cm}^2 \end{aligned}$$

$$\begin{aligned} QC &= \frac{KM(AHT)(THM - TCM)}{LD} = \frac{(0.19)(3.788)(978 - 295)}{(4.359)} \\ &= \underline{113} \text{ watts} \end{aligned}$$

13.4 Displacer Gap

$$KG = \underline{28.06 \times 10^{-4}} \text{ w/cm} \cdot C \text{ from 13.1}$$

$$AHT = \pi(DCY)(GR) = \pi(7.01)(0.025) = \underline{0.551} \text{ cm}^2$$

$$QC = \frac{KG(AHT)(THM - TCM)}{LD} = \frac{(28 \times 10^{-4})(0.551)(978 - 295)}{(4.359)}$$

$$= \underline{0.24} \text{ watts}$$

13.5 Cylinder Wall

Using the numbers in 2.5,

Let:

$$\textcircled{1} = \frac{(LHB)4}{(AHTH + AHTB)} = \frac{4(2.858)}{(15.915) + (10.726)} = \underline{0.429}$$

Then:

$$R1 = \frac{\textcircled{1}}{KMH + KMB} = \frac{0.429}{(0.25) + (0.225)} = \underline{0.903} \text{ K/watt}$$

Let:

$$\textcircled{2} = \frac{4(LBA)}{AHTB + AHTA} = \frac{4(1.016)}{(10.726) + (9.469)} = \underline{0.201}$$

Then:

$$R2 = \frac{\textcircled{2}}{KMB + KMA} = \frac{(0.201)}{(0.225) + (0.16)} = \underline{0.523} \text{ K/watt}$$

Let:

$$\textcircled{3} = \frac{4(LAC)}{AHTA + AHTC} = \frac{4(1.245)}{(9.469) + (15.915)} = \underline{0.196}$$

Then:

$$R3 = \frac{\textcircled{3}}{KMA + KMC} = \frac{(0.196)}{(0.16) + (0.15)} = \underline{0.633} \text{ K/watt}$$

$$QC = \frac{THM - TCM}{R1 + R2 + R3} = \frac{(978) - (295)}{(0.903) + (0.523) + (0.633)}$$

$$= \underline{332} \text{ watts}$$

$$TB = THM - R1(QC) = (978) - (0.903)(332)$$

$$= \underline{678} \text{ K} \text{ ---- Original TB estimate was } \underline{800} \text{ K}$$

$$TA = TB - R2(QC) = (678) - (0.523)(332)$$

$$= \underline{504} \text{ K} \text{ ---- Original TA estimate was } \underline{350} \text{ K}$$

Now:

$$\left. \begin{aligned} KMB &= \underline{0.21} \text{ w/cm K at TB} \\ KMA &= \underline{0.18} \text{ w/cm K at TA} \end{aligned} \right\} \text{ Figure 4-23}$$

Now go around again.

$$R1 = \frac{\textcircled{1}}{KMH + KMB} = \frac{(0.429)}{(0.25) + (0.21)} = \underline{0.933} \text{ K/watt}$$

$$R2 = \frac{\textcircled{2}}{KMB + KMA} = \frac{(0.201)}{(0.21) + (0.18)} = \underline{0.515} \text{ K/watt}$$

$$R3 = \frac{\textcircled{3}}{KMA + KMC} = \frac{(0.196)}{(0.18) + (0.15)} = \underline{0.594} \text{ K/watt}$$

$$QC = \frac{THM - TCM}{R1 + R2 + R3} = \frac{(978) - (295)}{(0.933) + (0.515) + (0.594)} = \underline{334} \text{ watts}$$

$$TB = THM - R1(QC) = (978) - (0.933)(334)$$

$$= \underline{666} \text{ K} \text{ ---- Previous estimate was } \underline{678} \text{ K}$$

$$TA = TB - R2(QC) = (666) - (0.515)(334)$$

$$= \underline{494} \text{ K} \text{ ---- Previous estimate was } \underline{504} \text{ K}$$

Does the difference significantly change the thermal conductivities?

- Yes ----- Then go around again
- No ----- Accept last QC as accurate QC = 334

13.6 Regenerator Walls

One regenerator wall will be calculated and then multiplied

NR. Using the numbers from 2.4

$$\text{Let } \textcircled{1} = \frac{4(\text{LHB})}{\text{AHTH} + \text{AHTB}} = \frac{4(1.016)}{(1.425) + (1.425)} = \underline{1.426}$$

$$\text{Then } R1 = \frac{\textcircled{1}}{\text{KMH} + \text{KMB}} = \frac{(1.426)}{(.25) + (.225)} = \underline{3.002} \text{ K/watt}$$

$$\text{Let } \textcircled{2} = \frac{4(\text{LBA})}{\text{AHTB} + \text{AHTA}} = \frac{4(1.194)}{(1.425) + (.853)} = \underline{2.097}$$

$$\text{Then } R2 = \frac{\textcircled{2}}{\text{KMB} + \text{KMA}} = \frac{(2.097)}{(.225) + (.16)} = \underline{5.446} \text{ K/watt}$$

$$\text{Let } \textcircled{3} = \frac{4(\text{LAC})}{\text{AHTA} + \text{AHTC}} = \frac{4(0.051)}{(.853) + (1.425)} = \underline{0.090}$$

$$\text{Then } R3 = \frac{\textcircled{3}}{\text{KMA} + \text{KMC}} = \frac{(0.090)}{(.16) + (.15)} = \underline{0.289} \text{ K/watt}$$

$$Q = \frac{\text{THM} - \text{TCM}}{R1 + R2 + R3} = \frac{(.978) - (.295)}{(3.002) + (5.446) + (0.289)} = \underline{78} \text{ watts.}$$

$$\begin{aligned} \text{TB} &= \text{THM} - R1(Q) = (.978) - (3.002)(78) \\ &= \underline{743} \text{ K} \text{ ---- Original estimate was } \underline{800} \text{ K} \end{aligned}$$

$$\text{TA} = \text{TB} - R2(Q) = (743) - (5.446)(78)$$

$$\text{TA} = \underline{317} \text{ K} \text{ ---- Original estimate was } \underline{350} \text{ K}$$

Now: _____

$$\left. \begin{aligned} \text{KMB} &= \underline{0.21} \text{ w/cm} \cdot \text{K at TB} \\ \text{KMA} &= \underline{0.155} \text{ w/cm} \cdot \text{K at TA} \end{aligned} \right\} \text{Figure 4-22}$$

Now go around again:

$$R1 = \frac{\textcircled{1}}{\text{KMH} + \text{KMB}} = \frac{(1.426)}{(.25) + (.21)} = \underline{3.100} \text{ K/watt}$$

$$R2 = \frac{\textcircled{2}}{\text{KMB} + \text{KMA}} = \frac{(2.097)}{(.21) + (.155)} = \underline{5.744} \text{ K/watt}$$

$$R3 = \frac{\textcircled{3}}{\text{KMA} + \text{KMC}} = \frac{(0.090)}{(.155) + (.150)} = \underline{0.294} \text{ K/watt}$$

$$Q = \frac{\text{THM} - \text{TCM}}{R1 + R2 + R3} = \frac{(.978) - (.295)}{(3.100) + (5.744) + (0.294)} = \underline{74.75} \text{ watts.}$$

$$TB = THM - R1(Q) = (978) - (3.100)(74.75)$$

$$= \underline{746} \text{ K} \text{ ---- Previous estimate was } \underline{743} \text{ K}$$

$$TA = TB - R2(Q) = (746) - (5.744)(74.75)$$

$$= \underline{317} \text{ K} \text{ ---- Previous estimate was } \underline{317} \text{ K}$$

Does the difference significantly change the thermal conductivities?

Yes then go around again

No then go on

$$QC = Q(NR) = (74.75) (8) = \underline{598} \text{ watts}$$

13.7 Regenerator Matrix (From 2.2.1)

13.7.1 Screen Stack (Equation 4-120)

$$KM = \underline{0.19} \text{ w/cm} \cdot \text{K at TR} = \underline{570} \text{ K (Fig. 4-22)}$$

$$KG = \underline{28.06 \times 10^{-4}} \text{ w/cm} \cdot \text{K at TR} = \underline{570} \text{ K (Table 4-9)}$$

$$\text{Let } \textcircled{1} = \left(\frac{1 + \frac{KM}{KG}}{1 - \frac{KM}{KG}} \right) = \left(\frac{1 + \frac{0.19}{28.06 \times 10^{-4}}}{1 - \frac{0.19}{28.06 \times 10^{-4}}} \right) = \underline{-1.030}$$

$$KMX = KG \left(\frac{\textcircled{1} - FF}{\textcircled{1} + FF} \right) = (28.06 \times 10^{-4}) \left(\frac{(-1.03) - (0.286)}{(-1.03) + (0.286)} \right)$$

$$= \underline{4.96 \times 10^{-3}} \text{ w/cm} \cdot \text{K}$$

$$AHT = \frac{\pi}{4} (DR)^2 = \frac{\pi}{4} (2.261)^2 = \underline{4.02} \text{ cm}^2$$

$$QC = \frac{(NR)KMX(AHT)(THM - TCM)}{LR} = \frac{(8)(4.96 \times 10^{-3})(4.02)(978 - 295)}{(2.261)}$$

$$= \underline{48} \text{ watts}$$

13.8 Summary of Static Heat Conduction

Section

13.1 Gas Cond. Inside Displ.	QC =	<u>15</u>	watts
13.2 Radiation Inside Displ.	QR =	<u>10</u>	
13.3 Displ. Wall	QC =	<u>113</u>	
13.4 Displacer Gap	QC =	<u>0</u>	
13.5 Cylinder Wall	QC =	<u>334</u>	
13.6 Regenerator Wall	QC =	<u>598</u>	
13.7 Regenerator Matrix	QC =	<u>48</u>	

Total QS = 1118

14. Pumping Loss (Equation 4-126)

P_{MAX} = 2.880 MPa from 6

P_{MIN} = 1.337 MPa from 6

$$RM = \frac{R}{MW} = \frac{8.314}{2.02} = \underline{4.116} \text{ j/g} \cdot \text{K}$$

$$MW = \begin{cases} 2.02 & \text{for H}_2 \\ 4.00 & \text{for He} \\ 29 & \text{for air} \end{cases}$$

Z₁ = 1 (normally 1 except when gas temp. < 70 K)

$$QPU = \left(\frac{\pi \text{ DCY}}{\text{KG}} \right)^{0.6} \frac{2(LD)(T_{HM} - T_{CM})}{1.5(Z_1)} \left(\frac{(P_{MAX} - P_{MIN})NU(CP)2}{(T_{HM} - T_{CM})RM} \right)^{1.6} \text{ GR}^{2.6}$$

$$QPU = \left(\frac{\pi (7.01)}{(28 \times 10^{-4})} \right)^{0.6} \frac{2(4.359)(978 - 295)}{1.5(1)}$$

$$\left(\frac{(2.88 - 1.337)(25)(14.55)2}{(978 - 295)(4.116)} \right)^{1.6} (0.025)^{2.6}$$

= 13.6 watts

15. Temperature Swing Loss (Equation 4-128)

$$FCT = \underline{0.32} \text{ see 11}$$

$$ROM = \underline{7.5} \text{ g/cm}^3$$

$$CPM = \underline{1.05} \text{ j/g} \cdot \text{K}$$

} from Standard References

For Screen Regenerators:

$$MMX = NR \frac{\pi}{4} (DR)^2 (LR)(FF)(ROM)$$

$$= (8) \frac{\pi}{4} (2.261)^2 (2.261)(0.286)(7.5)$$

$$= \underline{155.78} \text{ g}$$

$$DELTMX = \frac{WRS(CV)(FCT)(THM - TCM)}{NU(MMX)(CPM)} = \frac{(7.482)(10.42)(0.32)(978 - 295)}{(25)(155.78)(1.05)}$$

$$= \underline{4.167} \text{ K}$$

$$QTS = (FCT)(WRS)(CV)(DELTMX)/2$$

$$= (0.32)(7.482)(10.42)(4.167)/2$$

$$= \underline{51.98} \text{ watts}$$

16. Internal Temperature Swing Loss

$$KM = \underline{0.19} \text{ w/cm} \cdot \text{K from Figure 4-22}$$

For Screens:

$$LMX = THW/2 = (0.0041)/2 = \underline{0.00205} \text{ cm}$$

$$C3 = 0.25$$

$$QITS = \frac{QTS(C3)(ROM)(CPM)(LMX)^2(NU)}{(KM)(FCT)}$$

$$= \frac{(51.98)(0.25)(7.5)(1.05)(0.00205)^2(25)}{(0.19)(0.32)}$$

$$= \underline{0.177} \text{ watts}$$

17. Performance Summary

Net Power, watts	1st Iteration	2nd	3rd
BP = basic power = (from 7)	2461	2287	
WP = windage power = (from 8.4)	107	107	
MFL = mechanical friction loss = (from 9)	492	457	
NP = BP - WP - MFL = = net power	1862	1723	

Net Heat Input (watts) (Equation 4-132)	1st It.	2nd	3rd
BHI = basic heat input = (see 10)	3550	3415	
+QRH = reheat loss = (see 11)	104	}	
+QSH = shuttle-heat cond. = (see 12)	449		
+QS = static-heat cond. = (see 13.8)	1118		
+QPU = pumping loss = (see 14)	14		
+QTS = temp. swing loss = (see 15)	52		
+QITS = internal temp. swing loss = (see 16)	0		
-WPH = heater windage power = (see 8.4)	12		
$-\frac{WPK}{2}$ = half of regenerator windage power = (see 8.4)	47		1687
QN = net heat input	5237	5102	

18. Heat Exchanger Duty

Gas Heater	1st It.	2nd	3rd
QGH = QN =	<u>5237</u>	<u>5102</u>	<u> </u>
Gas Cooler			
QGC = QN - NP =	<u>3375</u>	<u>3379</u>	<u> </u>
	= (5237) - (1862)		

19. Gas Heater

Not needed because in GPU-3 the effective gas temperature is assumed to be measured with a thermocouple. TH = 978 K.

20. Gas Cooler

20.1 Correction of effective cold metal temperature due to temperature rise in cooling water.

$$\Delta T = \frac{QGC}{FCW(4.1868)} = \frac{(3375)}{(379)4.1868}$$

$$= \underline{2.13} \text{ K}$$

$$TCM = TCWI + \Delta T/2$$

$$= \underline{294.4} + \frac{(2.13)}{2} = \underline{295.5} \text{ K}$$

20.2 Tubular Type

$$RE = \underline{3820} \text{ from 8.3.1} \quad \frac{LCHT}{DID} = \frac{3.48}{0.102} = 34.1$$

From Figure 4-19:

$$\frac{H(PR)^{\frac{2}{3}}}{CP(G)} = \textcircled{1} = \underline{0.0031}$$

$$G = \underline{3.348} \text{ g/sec cm}^2 \text{ -- from 8.3.1}$$

$$WCS = \underline{8.538} \text{ g/sec -- from 8.3.1}$$

$$\begin{array}{l}
 CV = \underline{10.18} \text{ j/g}\cdot\text{K} \\
 CP = \underline{14.31} \text{ j/g}\cdot\text{K} \\
 PR = \underline{0.72} \text{ from Table 4-9}
 \end{array}
 \left. \begin{array}{l} \\ \\ \end{array} \right\} \begin{array}{l} \text{From Table 4-8} \\ \\ \end{array}
 \left. \begin{array}{l} \\ \\ \end{array} \right\} \text{for TCM} = \underline{295} \text{ K}$$

$$H = \frac{(CP)(G)}{(PR)^{\frac{2}{3}}} = \frac{(0.0031)(14.31)(3.348)}{(0.72)^{\frac{2}{3}}} = \underline{0.1848} \text{ w/cm}^2 \cdot \text{K}$$

$$\begin{aligned}
 AHT &= (NTC)(\pi)(DIC)(LCHT) = (312)\pi(0.102)(3.48) \\
 &= \underline{347.92} \text{ cm}^2
 \end{aligned}$$

$$\begin{aligned}
 NTUC &= \frac{H(AHT)}{2(FCTC)(WCS)(CV)} = \frac{(0.1848)(347.92)}{2(0.314)(8.538)(10.18)} \\
 &= \underline{1.178}
 \end{aligned}$$

First Iteration...

$$TC = TCM + \frac{QGC}{2(FCT)(WCS)(CV)(\exp(NTUC) - 1)}$$

$$TC = (295.5) + \frac{(3375)}{2(0.314)(8.538)(10.18)(\exp(1.178) - 1)}$$

$$\textcircled{1} = \underline{122.73}$$

$$= \underline{323.00} \text{ K}$$

An additional iteration was now made by programmable calculator.

$$TH = 978.00 \quad TC = 323.00 \quad M(R) = 0.8258$$

PHI	PC	FH	FC	
0	2.653	--	--	$\sum_{1}^{12} \text{DELW} = 87.538$ BP = 2287 BHI = 3415
30	2.394	0.561	0.175	
60	2.118	0.585	0.231	
90	1.827	0.453	0.345	
120	1.562	0.341	0.486	
150	1.388	0.239	0.607	
180	1.361	0.176	0.673	
210	1.530	0.161	0.670	
240	1.908	0.195	0.594	
270	2.418	0.276	0.457	
300	2.807	0.384	0.306	
330	2.851	0.477	0.208	
360	2.653	0.537	0.170	

FH and FC are plotted in Figure 7-1. The second iteration is seen to offset the results and does not change the flow rates or times. BP and BHI are then used in 17 to calculate NP and QN as the second iteration. Then these are used to calculate QGH and QGC in 18. Finally, in 20 a new TC is calculated:

2nd Iteration

$$TC = TCM + \frac{QGC}{\textcircled{1}} = (295.5) + \frac{(3379)}{(122.73)}$$

$$= \underline{323.03} \quad K \quad \text{Third iteration not necessary.}$$

21. Conclusion

Final Net Power = 1723 watts

Final Indicated Power = 2180 watts

Final Net Heat Input = 5102 watts

Brake Efficiency = 33.8 %

Indicated Efficiency = 42.7 %

8. REFERENCES

The references given in this section (See Table 8-1) have been accumulated from previous bibliographies particularly Walker (Ref. 73 j) and United Stirling of Sweden, compiled by Karin Adler. They also have been obtained from the authors own files and publications and from the references listed in these papers and reports that relate directly to Stirling engines. For the recent material the following computer based literature files have been searched:

Compendex 1970 -- (Engineering Index)

ISMEC 1973 -- Information service in Mechanical Engineering
(INSPEC)

NTIS 1964 --

NASA Literature Search No. 35884

The references have been organized by year of publication. Within each year each reference has been given a letter designation. The reference list has been indexed by personal author (See Table 8-2) and by corporate author if applicable (See Table 8-3).

Not every publication listed in the reference list has been obtained by the authors. In most cases these were not sought because the main results are given in subsequent journal articles.

Patents are included if they were referenced in publications or were in the authors file. The author is indebted to Ted Finkelstein who graciously allowed his file of Stirling engine patents to be copied. No independent search was made of the patent literature since this search would need to be done by specialists at the patent office.

The author intends to maintain this file of Stirling engine references. He would appreciate receiving copies of publications that are not now included. The author has a copy of the paper on file if an asterisk (*) appears at the end of the reference.

Besides indexing this reference list by author and corporate author, this publication discusses the different aspects of Stirling engines and refers to this reference list by number and sometimes by chief author name. In the 1900's the 19 is omitted for brevity. Also each article has been classified by subject using the classification scheme given in Table 8-4. The kind of Stirling engine is classified by type of heat input, arrangement of parts and intended use. Design considerations and experimental results is also divided into a number of categories. Table 8-5 gives the paper numbers that relate to each classification from Table 8-4. These classifications have been determined by a perusal of the publication if it were available, otherwise the classification was determined from the title or possibly the abstract. This classification index has been found useful in preparing this publication. It is hoped that the readers will find it useful.

Table 8-1
Stirling Engine References
Organized by Year of Publication

- 1807 a Cayley, G., Nicholson's Journal, November 1807, pg. 206
(letter).
- 1816 a Stirling, R., "Improvements for Diminishing the Consumption of Fuel
and in Particular, an Engine Capable of Being Applied to the
Moving of Machinery on a Principle Entirely New," British Patent
No. 4081, 1816. A5, B3, B6, B8.
- 1826 a Ericsson, J., British Patent No. 5398, 1826.
- 1827 a Stirling, R., and Stirling, J., "Air Engines," British Patent
No. 5456, 1827. B3. *
- 1833 a Ericsson, J., "Air Engines," British Patent No. 6409, 1833.
B5. *
- 1840 a Stirling, J., and Stirling, R., "Air Engines," British Patent
No. 8652, 1840. B3. *
- 1845 a Poingdestre, W. W., Proceedings ICE, 1845
- 1845 b Stirling, R., Proceedings ICE, 1845.
- 1850 a Herschel, J., "Making Ice," The Athenaeum, Jan. 5, 1850, p. 22.
C3.
- 1852 a Joule, J., "On the Air Engine," Phil. Trans. R. Soc., No. 142,
pp. 65-77. D3. *

- 1853 a Combes, Par M., "Sur Des Documents Relatifs A La Machine A Air Chaud Du Capitaine Ericsson," (Documents Relative to the Hot Air Machine of Captain Ericsson) Annalis des Mines, Vol. 3, 1853. A5, B3, B6, B8. *
- 1853 b Napier, J. R., and Rankine, W. J. M., British Patent No. 1416, 1853. B5.
- 1854 a Rankine, M., "On the Means of Realizing the Advantages of Air Engines," Proc. Br. Ass., September, 1854.
- 1854 b "Napier and Rankine's Patent Hot Air Engine," Mechanics Magazine, No. 1628, October 21, 1854. B5. *
- 1861 a Schmidt, G., "Theorie der Geschlossenen Calorischen Maschine von Laubroy und Schwartzkopff in Berlin," Den. Pol. Journ., Vol. CLX, pg. 401, 1861 or Zeitschrift des Oster. Ing. Ver., pg. 79, 1861.
- 1864 a Dinglers Polytechnisches Journal, Vol. 172, pg. 81, 1864.
- 1865 a Dinglers Polytechnisches Journal, Vol. 179, pg. 345, 1865.
- 1869 a Delabar, G., Dinglers Polytechnisches Journal, Vol. 194, pg. 257, 1869.
- 1869 b Eckerth, "Technische Blatter," 1, Jahrgang, Prague, 1869.
- 1871 a Schmidt, G., "Theory of Lehmann's Heat Machine," Journal of the German Engineers Union, Vol. 15, No. 1, 1871. D2. *
- 1871 b Rider, A. K., "Improvement in Air-Engines," United States Patent 111,088, January 17, 1871. A5, B5, B8. *
- 1874 a Kirk, A., "On the Mechanical Production of Cold," Proceedings of the Institution of Civil Engineers (London), Vol. 37, pp. 244-315, January 20, 1874. C3, E3, E9. *

- 1875 a Fritz, Prof. B., "Ueber die Ausnützung der Brennstoffe," (Utilization of Fuel), Dingler's Polyt. Journal, 1875. A5. * -- —
- 1875 b "Air Engines," Editorial, Engineering, Vol. 19, Part 1 - March 12, 1875, pp. 200-201; Part 2 - March 26, 1875, pp. 241-242; Part 3 - April 9, 1875, pp. 287-289; Part 4 - April 30, 1875, pp. 355-356; Part 5 - May 21, 1875, pp. 417-418; Part 6 - June 18, 1875, pp. 504-505. A0.
- 1876 a Ericsson, J., Contributions to the Centennial Exhibition, 1876.
- 1878 a Slaby, A., "Beiträge zur Theorie der Geschlossenen Luftmaschinen," Verh. des Ver. zur Bef. des Gewerbefleißes, Berlin, 1878.
- 1878 b Bourne, J., "Examples of Steam, Air and Gas Engines of the Most Recent Approved Type," Longmans, Green and Co., London, 1878.
- 1879-a Slaby, A., "Die Luftmaschine von D.W. van-Rennes," 1879. B4. *
- 1880 a Slaby, A., "Ueber Neuerungen an Luft- und Gasmaschinen," (Innovations of Air and Gas Machines), Dinglers Polyt. Journal, Bd 236, H. 1, 1880. B4. *
- 1880 b Ericsson, J., "Air-Engine," United States Patent 226,052, March 30, 1880. B3, B6, B8. *
- 1881 a Schottler, R., "Über die Heissluftmaschine von Rider," Z.V.D.I., Vol. 25, 1881. B5, B8.
- 1885 a Babcock, G. H., "Substitutes for Steam," Trans ASME, pp. 680-741, 1885. A0.
- 1887 a Zeuner, G., "Technische Thermodynamik," Leipzig, Vol. 1, pp. 347-357, 1887.

- 1888 a Rontgen, R., "The Principles of Thermodynamics with Special Application to Hot Air, Gas and Steam Engines," Translation by Du Bois, New York, 1888. A0.
- 1888 b Rider, T. J., "Hot-Air Engine," United States Patent 393,663, November 27, 1888. B3, B6, B8. *
- 1888 c Rider, T. J., "Hot-Air Engine," United States Patent 393,723, November 27, 1888. B3, B6, B8. *
- 1889 a Slaby, Prof. A., "Die Feuerluftmaschine," Zeitschrift des Vereines Deutscher Ingenieure, Band XXIII, No. 5, Sonnabend, February 2, 1889. A5, B4, B6, B8, E3. *
- 1890 a Grashof, F., "Theorie der Kraftmaschinen," Hamburg, 1890. D2.
- 1897 a Anderson, G. A., and Ericksson, E. A., "Hot-Air Engine," United States Patent 579,670, March 30, 1897. B3, B6, B8. *
- 1899 a Appleton Cyclopaedia of Applied Mechanics, New York, 1899. A0.
- 1899 b Knoke, J. O., "Die Kraftmaschine Des Kleingewerbes," Berlin, 1899. A0. *
- 1903 a Essex, H., "Caloric Engine," United States Patent 723,660, March 24, 1903. A1, B3, B6, B8. *
- 1905 a Smal, P., "Improved Motor Using Hot and Cold Compressed Air," British Patent 29,002, April 13, 1905. B5. *
- 1906 a Rider-Ericsson Engine Co., "The Improved Rider and Ericsson Hot-Air Pumping Engines," Catalogue, 1906. C4, B3. *
- 1906 b Morse, F. W., and Hubbard, F. B., "Hot-Air Engine," United States Patent 822,463, June 5, 1906. B4, B6, B8, A1. *
- 1911 a Donkin, B., "A Text Book on Gas, Oil and Air Engines," London, 1911. A0.

- 1913 a Anderson, L. and Engel, E. F., "Caloric Engine," United States Patent 1,073,065, Sept: 9, 1913. B3, B6, B8, D16. *
- 1914 a Godoy, J. V., "Improvements Relating to Heat Engines," British Patent 1,872, May 28, 1914. B3. *
- 1917 a "The Centenary of the Heat Regenerator and the Stirling Air Engine," The Engineer, pp. 516-517, December 14, 1917. A0.
- 1917 b "The Regenerator," The Engineer, pg. 523, December 14, 1917. D15.
- 1917 c "The Stirling Specifications," The Engineer, pg. 567, December 28, 1917. A0.
- 1917 d Prosser, "The Centenary of the Heat Regenerator and the Stirling Air Engine," The Engineer, pg. 537, December 21, 1917. D15.
- 1918 a Vuilleumier, R., "Method and Apparatus for Inducing Heat Changes," United States Patent 1,275,507, Aug. 13, 1918. B1. *
- 1919 a L'Air Liquide Societe Anonyme, "Improvements in or Relating to Heat Engines," British Patent 126,940.- Complete Not Accepted, Jan. 6, 1919. B5. *
- 1920 a Rees, R. A., "Improvements in Hot-Air Engines," British Patent 146,620, July 12, 1920. D9, D10. *
- 1926 a Anzelius, A., "Über Erwärmung Vermittels Durchstromender Medien," Z. Angew. Math. Mech. 6, pp. 291-294, 1926. D14.
- 1927 a Nusselt, W., "Die Theorie des Winderhitzers," Z. Ver Dt. Ing. Vol. 71, pg. 85, 1927. D15.

- 1928 a Nusselt, W., "Der Beharrungszustand im Winderhitzer," Z. Ver. Dt. Ing., Vol. 72, pg. 1052, 1928. D15.
- 1929 a Hausen, H., "Über die Theorie des Wärmeaustausches in Regeneratoren," Z. Angew. Math. Mech., Vol. 9, pp. 173-200, June, 1929. D15. *
- 1929 b Schumann, T. E. W., "Heat Transfer to a Liquid Flowing Through a Porous Prism," J. Franklin Inst., Vol. 208, pp. 405-416, 1929. D15.
- 1929 c Hausen, H., "Wärmeaustausch in Regeneratoren," Z. Ver. Dt. Ing., Vol. 73, pg. 432, 1929. D15.
- 1930 a Furnas, C. C., "Heat Transfer from a Gas Stream to a Bed of Broken Solids - I," Industrial Eng. Chemistry, Vol. 22, pg. 26, 1930. D15.
- 1931 a Malone, J. F. J., "A New Prime Mover," The Engineer, July 24, 1931, pp. 97-101. D18. * —
- 1931 b Hausen, H., "Näherungsverfahren zur Berechnung des Wärmeaustausches in Regeneratoren," (An Approximate Method of Dimensioning Regenerative Heat-Exchangers), Z. Angew. Math. Mech., Vol. 11, pp. 105-114, April, 1931. D15.
- 1932 a Furnas, C., "Heat Transfer from a Gas Stream to Bed of Broken Solids," Bulletin, U.S. Bureau of Mines, No. 361, 1932. D15. *
- 1932 b Smith, H. F., "Heat Engine," United States Patent 1,879,563, Sept. 27, 1932. B3, B6, B8. *
- 1934 a Schumann, T. E. W. and Voss, V., "Heat Flow Through Granulated Material," Fuel, Vol. 13, pp 249-256, 1934. D15. *
- 1937 a Lee, R., "Heat Engine," United States Patent 2,067,453, Jan. 12, 1937. B3. *
- 1938 a Boestad, G., "Die Wärmeübertragung im Ljungstrom Luftwärmer," Feuerungstechnik, Vol. 26, pg. 282, 1938. D15.
- 1938 b Bush, V., "Apparatus for Transferring Heat," United States Patent 2,127,286, August 16, 1938. B5, C3. *

- 1939 a Bush, V., "Apparatus for Compressing Gases," United States Patent 2,157,229, May 1939. C5. *
- 1940 a Saunders, O. and Ford, H., "Heat Transfer in the Flow of Gas Through a Bed of Solid Particles," J. Iron Steel Inst., No. 1, pg. 291, 1940. D15.
- 1942 a Hausen H., "Vervollstandigte Berechnung des Wärmeaustausches in Regeneratoren," Z. Ver. Dt. Ing. Beiheft Verfahrenstechnik, No. 2, pg. 31, 1942. D15.
- 1942 b Smith, H. F., "Refrigerating Apparatus," United States Patent 2,272,925, Feb. 10, 1942. C3. *
- 1943 a Martinelli, R. C., Boelter, L. M. K., Winberge, E. B. and Yakahi, S., "Heat Transfer to a Fluid Flowing Periodically at Low Frequencies in a Vertical Tube," Trans. Amer. Soc. Mech. Engrs., No. 65, pg. 789-798, 1943. D14, D15.
- 1943 b Philips Co., "Improvements in or Relating to Hot-Gas Engines," British Patent 697,157, Aug. 25, 1943. D8. *
- 1946 a Rinia, H. and du Pre, F. K., "Air Engines," Philips Technical Review, Vol. 8, No. 5, pp. 129-136, 1946. B5, B6, B8, D3, D6. *
- 1946 b Johnson, O., "Civilization, to John Ericsson, Debtor," The Scientific Monthly, pp. 101-106, January, 1946. C1. *
- 1946 c Philips Co., "Improvements in or Relating to Hot-Gas Engines," British Patent 630,429, Oct. 13, 1946. D14. *
- 1946 d Rinia, H., "New Possibilities for the Air-Engine," Philips Gloeilampenfabrieken, Paper No. 1684, 1946 or Proceedings, Koninklijke Nederlandsche Akademie van Wetenschappen, pg. 150-155, Feb. 1946, (published in English). A1, C2, C3, D2. *
- 1947 a Tipler, W., "A Simple Theory of the Heat Regenerator," Technical Report No. ICT/14, Shell Petroleum Co. Ltd., 1947. D15.
- 1947 b de Bréy, H., Rinia, H., and van Weenen, F. L., "Fundamentals for the Development of the Philips Air Engine," Philips Technical Review, Vol. 9, No. 4, 1947. B5, D5, D13, D15. *
- 1947 c van Weenen, F. L., "The Construction of the Philips Air Engine," Philips Technical Review, Vol. 9, No. 5, pp. 125-134, 1947.—B3, B4, B5, B6, B8. *

- 1947 d "Caloric Engine," Auto Engr., Vol. 37, No. 493, pp. 372-376, October 1947. A0.
- 1947 e "Philips Air-Engine," The Engineer, Vol. 184, No. 4794, December 12, 1947, pp. 549-550; and No. 4795, pp. 572-574, December 19, 1947. A0.
- 1948 a de Brey, H., Rinia, H., and van Weenen, R. L., "Fundamentals for the Development of the Philips Air-Engine," Philips Technical Review, Vol. 9, pp. 97-104, 1948. A0.
- 1948 b Hahnemann, H., "Approximate Calculation of Thermal Ratios in Heat-Exchangers Including Heat Conduction in the Direction of Flow," National Gas Turbine Establishment Memorandum 36, 1948. D14, D16, D17.
- 1948 c Iliffe, C. E., "Thermal Analysis of the Contra-Flow Regenerative Heat-Exchanger," Proc. Instn. Mech. Engrs., Vol. 159, pp. 363-372, 1948. D15. *
- 1948 d Saunders, O. A., and Smoleniec, S., "Heat Regenerators," Proc. Int. Cong. of Appl. Mech., Vol. 3, pp. 91-105, 1948. D15.
- 1948 e Tipler, W., "An Electrical Analogue to the Heat Regenerator," Proc. Int. Cong. of Appl. Mech., Vol. 3, pp. 196-210, 1948. D15.
- 1948 f Wuolijoki, J. R., "Kuumailmakoneen Renessanssi," Teknillinen Aikakauslehti, Vol. 38, No. 9, pp. 241-246, Sept. 1948. A0.
- 1948 g Bohr, E., "Den Moderna Varmluftsmotorn," Teknisk Tidskrift, No. 18, pp. 595-599, 1948. A0.
- 1948 h "Inventor of Hot-Air Engine and Engine-Driven Air Pump," The Engineer, Vol. 186, No. 4829, pp. 168-169, August 13, 1948. A0.
- 1948 i "Prime Movers in 1947," The Engineer, Vol. 185, Nos. 4798, Jan. 9, 1948, pp. 44-46; 4799, Jan. 16, 1948, pp. 71-72; 4800, Jan. 23, 1948, pg. 95. A0.
- 1948 j Philips Co., "Improvements in or Relating to Closed Cycle Hot-Gas Engines," British Patent 606,758, August 19, 1948. D6. *
- 1948 k Philips Co., "Improvements in or Relating to Hot-Gas Reciprocating Engines," British Patent 605,992, August 4, 1948. B5. *

- 1949 a Bush, V., "Thermal Apparatus for Compressing Gases," United States Patent 2,461,032, Feb. 8, 1949. B2. *
- 1949 b "Old Hot-Air Engine," The Engineer, Vol. 187, No. 4862, pp. 365-366, April 1, 1949. B6, B8.
- 1949 c van Heeckeren, W. J., "Hot-Air Engine Actuated Refrigerating Apparatus," United States Patent 2,484,392, Oct. 11, 1949. B5, B6, B8, C3. *
- 1949 d Philips Co., "Improvements in or Relating to Hot-Gas Reciprocating Engines," British Patent 632,669, Nov. 28, 1949. D14, D15. *
- 1949 e Philips Co., "Improvements in Systems Comprising a Hot-Gas Reciprocating Engine," British Patent 623,090, May 12, 1949. D8. *
- 1949 f Philips Co., "Improvements in or Relating to Hot-Gas Reciprocating Engines," British Patent 618,266, Feb. 18, 1949. D15. *
- 1949 g Philips Co., "Improvements in or Relating to Hot-Gas Reciprocating Engines," British Patent 617,850, Feb. 11, 1949. D15. *
- 1949 h Philips Co., "Improvements in or Relating to Hot-Gas Engines," British Patent 619,277, March 7, 1949. D14. *
- 1949 i Philips Co., "Improvements in or Relating to Cylinder Heads for Hot-Gas Engines," British Patent 615,260, Jan. 4, 1949. D14. *
- 1949 j Philips Co., "Improvements in or Relating to Hot-Gas Engines," British Patent 630,428, Oct. 13, 1949. D14. *
- 1950 a Locke, G. L., "Heat-Transfer and Flow-Friction Characteristics of Porous Solids," Dept. of Mech Engr., Stanford University, U.S.A., Technical Report No. 10, 1950. D15. *
- 1950 b Philips Co., "Improvements in or Relating to Hot-Gas Reciprocating Engines," British Patent 637,719, May 24, 1950. D14, D8. *
- 1950 c Philips Co., "Improvements in or Relating to Heat-Exchanging Apparatus," British Patent 635,691, April 12, 1950. D14, D15, D16. *
- 1950 d Philips Co., "Improvements in or Relating to Hot-Gas Engines," British Patent 645,934, Nov. 15, 1950. D14, D15, D16. *
- 1950 e Pakula, A., "Kylmailmakoneet U U dessa Kchitysvaiheessa," Teknillinen Aikakaustie, Vol. 40, No. 6, pp. 123-127, March 25, 1950. A0.

- 1951 a Davis, S. J., and Singham, J. R., "Experiments on a Small Thermal Regenerator," General Discussion on Heat Transfer, Inst. of Mech. Engr., London, pp. 434-435, 1951. D15.
- 1951 b Hougen, J. O., and Piret, E. L., "Effective-Thermal Conductivity of Granular Solids through which Gases are Flowing," Chem. Engng. Prog., Vol. 47, pp. 295-303, 1951. D15.
- 1951 c Schultz, B. H., "Regenerators with Longitudinal Heat Conduction," General Discussion on Heat Transfer, Inst. of Mech. Engr., London, 1951. D15.
- 1951 d Denton, W. H., "The Heat Transfer and Flow Resistance for Fluid Flow through Randomly Packed Spheres," The Inst. of Mech. Engr., London, pp. 370-373, 1951. D15.
- 1951 e Gamson, B. W., "Heat and Mass Transfer, Fluid Solid Systems," Chem. Engng. Prog., Vol. 47, No. 1, pp. 19-28, Jan. 1951. D15.
- 1951 f Dros, A. A., "Combination Comprising a Hot-Gas Engine and a Piston Machine Driven Thereby," United States Patent 2,558,481, June 26, 1951. B3, B4, B6, B8, C3. *
- 1951 g Philips Co., "Improvements in and Relating to Thermal Regenerators," British Patent 657,472, Sept. 19, 1951. D14. *
- 1951 h Philips Co., "Improvements in or Relating to Multi-Cylinder Piston Machines," British Patent 656,252, Aug. 15, 1951. D9. *
- 1951 i Philips Co., "Improvements in or Relating to Hot-Gas Reciprocating Engines and Reciprocating Refrigerators Operating According to the Reversed Hot-Gas Engine Principle," British Patent 656,250, Aug. 15, 1951. D9. *
- 1951 j Philips Co., "Improvements in and Relating to Hot-Gas Engines," British Patent 648,742, Jan. 10, 1951. D13. *
- 1951 k Philips Co., "Improvements in Hot-Gas Engines," British Patent 654,625, June 27, 1951. D14. *
- 1951 l Philips Co., "Improvements in or Relating to Hot-Gas Reciprocating Engines, Including Refrigerating Engines Operating on the Reversed Hot-Gas Principle," British Patent 654,936, July 4, 1951. B3. *
- 1951 m Philips Co., "Improvements in or Relating to Reciprocating Engines," British Patent 654,940, July 4, 1951. D9. *
- 1951 n Philips Co., "Improvements in or Relating to Hot-Gas Reciprocating Engines," British Patent 655,565, July 25, 1951. D8. *
- 1951 o Philips Co., "Improvements in Reciprocating Hot-Gas Engines," British Patent 657,743, Sept. 26, 1951. D14. *

- 1951 p Philips Co., "Improvements in or Relating to the Control of Hot-Gas-Reciprocating Engines," British Patent 655,935, Aug. 8, 1951. D14, D8. *
- 1951 q Saunders, O. A., and Smolenec, S., "Heat Transfer in Regenerators," Inst. of Mech. Engrs. and ASME, General Discussion on Heat Transfer, Sept. 1951. D15. *
- 1952 a Coppage, J., "Heat-Transfer and Flow-Friction Characteristics of Porous Media," Thesis, Stanford University, U.S.A., 1952. D15.
- 1952 b Finkelstein, T., "Theory of Air Cycles with Special Reference to the Stirling Cycle," Ph.D. Thesis, University of London, 1952. D2, D4.
- 1952 c du Pre, F. K., "Hot-Gas Engine or Refrigerator," United States Patent 2,590,519, March 25, 1952. B1, B8, C3, D15. *
- 1952 d Koopmans, A., "Hot-Gas Reciprocating Engine," United States Patent 2,618,923, November 25, 1952. B3, B6, B8, D14, D16. *
- 1952 e Yendall, E. F., "A Novel Refrigerating Machine," Advances in Cryogenic Engineering, Volume 2, 1952. C3. *
- 1952 f Dros, A. A., and Koopmans, A., "Multitude Heater for Hot-Gas Reciprocating Engines," United States Patent 2,621,474, December 16, 1952. B3, B6, B8, D14. *
- 1952 g Yzer, J. A. L., "Cylinder Head for Hot-Gas Reciprocating Engines," United States Patent 2,616,250, November 4, 1952. B3, B6, B8, C3. *
- 1952 h van Heeckeren, W. J., "Hot-Gas Motor with Means for Controlling the Heat Supply Therefor," United States Patent 2,583,311, January 22, 1952. D8, D14. *
- 1952 i de Brey, H., "Hot-Gas Reciprocating Engine of the Kind Comprising One or More Closed Cycles," United States Patent 2,616,249, November 4, 1952. D16. *
- 1952 j Philips Co., "Improvements in or Relating to Reciprocating Apparatus," British Patent 684,394, December 17, 1952. D9. *
- 1952 k Philips Co., "Improvements Relating to Hot-Gas Reciprocating Engines and Refrigerating Engines Operating on the Reversed Hot-Gas Reciprocating Engine Cycle," British Patent 665,989, February 6, 1952. D14, D16. *

- 1952 l Philips Co., "Improvements in or Relating to Hot-Gas Reciprocating Engines, and Refrigerating Engines Operating on the Reversed Hot-Gas Engine Principle," British Patent 684,600, December 24, 1952. D14. *
- 1952 m Philips Co., "Improvements in or Relating to Hot-Gas Reciprocating Engines," British Patent 675,161, July 9, 1952. D14, D15. *
- 1952 n Philips Co., "Improvements in Refrigerating Systems," British Patent 680,241, October 8, 1952. C3, D10. *
- 1952 o Philips Co., "Improvements in or Relating to Hot-Gas Engines or Engines Operating on the Reverse Hot-Gas Engine Principle," British Patent 666,313, February 13, 1952. D14. *
- 1952 p Philips Co., "Improvements in or Relating to Hot-Gas Engines," British Patent 668,061, March 12, 1952. D16. *
- 1952 q Philips Co., "Improvements in or Relating to Hot-Gas Engines," British Patent 669,891, April 9, 1952. D8. *
- 1952 r Philips Co., "Improvements in or Relating to Hot-Gas Engines," British Patent 665,735, January 30, 1952. D8. *
- 1952 s Philips Co., "Improvements in or Relating to Refrigeration Machines Operating on the Reversed Hot-Gas Engine Principle," British Patent 668,621, March 19, 1952. B5, C2. *
- 1953 a Coppage, J. E., and London, A. L., "The Periodic-Flow Regenerator -- A Summary of Design Theory," Trans. Am. Soc. Mech. Engrs., Vol. 75, pp. 779-787, 1953. D15. *
- 1953 b Denham, F. R., "A Study of the Reciprocating Hot-Air Engine," Ph. D., Thesis, Durham University, 1953. D2.
- 1953 c Finkelstein, T., "Self-Acting Cooling Cycles," D.I.C. Thesis, Imperial College, London, 1953. C3.
- 1953 d Philips Co., "Improvements in Hot-Gas Engines," British Patent 691,781, May 20, 1953. D14. *
- 1953 e Schultz, B. H., "Approximate Formulae in the Theory of Thermal Regenerators," Appl. Scient. Res. A., Vol. 3, pp. 165-173, 1953. D15.

- 1953 f Philips Co., "Improvements in or Relating to Hot-Gas Reciprocating Engines and Engines Operating on the Reversed Hot-Gas Engine Principle," British Patent 690,026, April 8, 1953. B3. *
- 1953 g Philips Co., "Improvements in Heat Regenerator Filling Material Consisting of Wire Material," British Patent 695,271, August 5, 1953. D11, D15. *
- 1953 h Philips Co., "Improvements in or Relating to Hot-Gas Engines," British Patent 697,082, September 16, 1953. D8. *
- 1953 i Philips Co., "Improvements in Hot-Gas Reciprocating Engines," British Patent 691,785, May 20, 1953. D14. *
- 1953 j Philips Co., "Improvements in Hot-Gas Engines," British Patent 691,784, May 20, 1953. D14. *
- 1954 a Havemann, H. A., and Narayan Rao, N., "Heat Transfer in Pulsating Flow," Nature, Vol. 174, No. 4418, pg. 41, 1954. E9. *
- 1954 b Köhler, J. W. L., and Jonkers, C. O., "De Kindagaskoelmachine," De Ingenieur, No. 49, December 3, 1954. C3.
- 1954 c Jones, L. L. Jr., and Fax, D. H., "Perturbation Solutions for the Periodic-Flow Thermal Regenerator," A.S.M.E. Paper No. 54-A-130, 1954. D15.
- 1954 d Philips Co., "Improvements in or Relating to Heat Exchangers," British Patent 702,132, Jan. 13, 1954. D14, D16. *
- 1954 e Köhler, J. W. L., and Jonker, C. O., "Fundamentals of the Gas Refrigerating Machine," Philips Technical Review, Vol. 16, No. 3, Sept. 1954. B5, B8, C3, D2, D5. *
- 1954 f Köhler, J. W. L., "Construction of a Gas Refrigerating Machine," Philips Technical Review, Vol. 16, No. 4, October, 1954. B3, B6, B8, C3, D15, E3. *
- 1955 a Havemann, H. A., and Narayan Rao, N. N., "Studies for New Hot-Air Engine," J. Indian Inst. Sci., B37, p. 224, and 38 p. 172, 1955. A0.
- 1955 b Köhler, J. W. L., and Jonkers, C. O., "Fundamentals of the Gas Refrigerating Machine," Philips Tech. Rev., Vol. 16, pp. 69-78, 1955. C3.
- 1955 c Köhler, J. W. L., and Jonkers, C. O., "Construction of a Gas Refrigerating Machine," Philips Tech. Rev., Vol. 16, pp. 105-115. B3, B6, B8, C3, D3, E3.

- 1955 d Lambeck, A. J. J., "Hot-Gas Reciprocating Engine and Refrigerator or Heat Pump Operating on the Reversed Hot-Gas Reciprocating Engine Principle," United States Patent 2,709,334, May 31, 1955. D8. *
- 1955 e Köhler, J. W. L., "Principles of Gas Refrigeration Machines," Nature, pg. 623-626, October 1, 1955. C3.
- 1955 f Condegone, C., "Sur le cycle Frigorifique Philips," Comtes Rendus du IX Congres International du Froid, Paris, pg. 3025-3031, August 31 to September 7, 1955. C3.
- 1955 g Köhler, J. W. L., and ver der Steer, J., "A Small Liquid Nitrogen Plant, Using a Gas Refrigerating Machine," Comtes Rendus du IX Congres International du Froid, Paris, pg. 1057-1063, Aug. 31 to Sept. 7, 1955. C3.
- 1956 a Coppage, J. E., and London, A. L., "Heat-Transfer and Flow-Friction Characteristics of Porous Media," Chem. Engng. Prog., Vol. 52, No. 2, pp. 56-57, Feb. 1956. D15.
- 1956 b Dros, A. A., Yzer, J. A. L., and Hellingman, E., "Hot-Gas Reciprocating Engine," United States Patent 2,746,241, May 22, 1956. D8. *
- 1956 c Crandall, S. H., "Engineering Analysis," McGraw-Hill Book Company, New York, pg. 177, 1956. D2. *
- 1956 d Köhler, J. W. L., "Refrigerator Gas Liquification Device," United States Patent 2,734,354, Feb. 14, 1956. B3, B6, B8, C3. *
- 1956 e Köhler, J. W. L., and Schalkwijk, W. F., "Cold Gas Refrigerator," United States Patent 2,750,765, June 19, 1956. B3, B6, B8, C3. *
- 1956 f de Lange, L., "Cooler Construction in a Hot-Gas Engine," United States Patent 2,764,879, Oct. 2, 1956. C3, D16. *
- 1957 a Creswick, F. A., "A Digital Computer Solution of the Equation for Transient Heating of a Porous Solid, Including the Effects of Longitudinal Conduction," Ind. Math., Vol. 8, pp. 61-68, 1957. D15.
- 1957 b Fabbri, S., "Hot-Air Engines and the Stirling Cycle," Metano., Vol. 11, pp. 1-9, 1957. A0.
- 1957 c Meijer, R. J., "Device for Circulating a Medium in a Reciprocating Engine," United States Patent 2,781,632, Feb. 19, 1957. D9. *
- 1957 d "Air Engine and Air Motor," Colliers Encyclopedia, 1957 edition. C2. *

- 1957 e "Air Engine," Britannica Encyclopedia, 1957 edition. C2. *
- 1957 f Newton, A. B., "Refrigeration Compressor," United States Patent 2,803,951, August 27, 1957. B2, C3. *
- 1957 g Meijer, R. J., "Hot-Gas Reciprocating Apparatus," United States Patent 2,794,315, June 4, 1957. D8. *
- 1957 h Köhler, J. W. L., and Bloem, A. T., "Cold-Gas Refrigerator," United States Patent 2,781,647, Feb. 19, 1957. D11, D15, C3. *
- 1957 i Schalwijk, W. F., de Lange, L., and Koopmans, A., "Regenerator Construction of a Cold-Gas Refrigerator," United States Patent 2,775,876, Jan. 1, 1957. B3, B6, B8, C3, D15, D18. *
- 1957 j Köhler, J. W. L., "Hot-Gas Reciprocating Engine for Refrigerating," United States Patent 2,784,570, March 12, 1957. C3, D14, D16. *
- 1957 k van Weenen, F. L., and Dros, A. A., "Hot-Gas Reciprocating Engine Construction," United States Patent 2,817,950, Dec. 31, 1957. B5. *
- 1958 a Halley, J. A., "The Robinson-Type Air Engine," J. Stephenson Engng. Soc., King's Coll. Newcastle, Vol 2, No. 2, pg. 49, 1958. B5, B8.
- 1958 b Karavansky, I. I., and Meltser, L. Z., "Thermodynamic Investigations of the Working Cycle of the Philips Machine," Proc. 10th Int. Cong. on Refrig., 3--29, 209, 1958. D2. *
- 1958 c Jonkers, C. O., "Hot-Gas Reciprocating Engine," United States Patent 2,857,220, Oct. 21, 1958. D6. *
- 1958 d Lambertson, T. J., "Performance Factors of a Periodic-Flow Heat-Exchanger," Trans. Am. Soc. Mech. Engrs., Vol. 80, pp. 586-592, 1958. D14, D16, D17. *
- 1958 e Shuttleworth, P., "An Experimental Investigation of a Stirling Engine," M. Sc. Thesis, Durham University, 1958. D3.
- 1958 f Yendall, E. F., "A Novel Refrigerating Machine," Advances in Cryogenic Engineering, Vol. 2, Plenum Press, New York, pp. 188-196, 1958. C3.
- 1958 g Wolgemuth, C. H., "The Equilibrium Performance of the Theoretical Stirling Cycle with a Chemically Reactive Gas as the Working Fluid," Penn. State Univ., 1958. D18, D2. *
- 1958 h Meijer, H. M., "Hot-Gas Reciprocating Engine," United States Patent 2,828,601, Apr. 1, 1958. B8. *
- 1958 i den Haan, J. J. W., "Regenerator for Use in Hot-Gas Reciprocating Engine," United States Patent 2,833,520, May 6, 1958. B3, B6, B8, D15. *

- 1959 a Darling, G. B., "Heat Transfer to Liquids in Intermittent Flow," Petroleum, pp. 177-178, May, 1959. D14, D16.
- 1959 b Emerson, D. C., "Effect of Regenerator Matrix Arrangements on the Performance of a Gas Refrigerating Machine," B. Sc. Hons. Thesis, Durham University, 1959. D15.
- 1959 c Finkelstein, T., "Air Engines," Engineer, Vol. 207, pp. 492-497, 522-527, 568-571, 720-723, 1959. B3, B4, B5, B6, B8. *
- 1959 d van Heeckeren, W. J., "Hot-Gas Engine Comprising More than One Device for the Supply of Heat," United States Patent 2,894,368, July 14, 1959. B3, B6, B8, C3. *
- 1959 e Kirkley, D. W., "Continued Work on the Hot-Air Engine," B.Sc. Hons. Thesis, Durham University, 1959. D3, E3.
- 1959 f Meijer, R. J., "The Philips Hot-Gas Engine with Rhombic Drive Mechanism," Philips Tech. Rev., Vol. 20, No. 9, pp. 245-276, 1959. B3, B6, B8, E3. *
- 1959 g Schalkwijk, W. E., "A Simplified Regenerator Theory," J. Engng. Pwr., Vol. A81, pp. 142-50, 1959. D15, E9. *
- 1959 h Kohler, J. W. L., "Single-Acting Hot-Gas Reciprocating Engine," United States Patent 2,872,779, Feb. 10, 1959. B3, B6, B8, C3. *
- 1959 i Newton, A. B., "Hot Fluid Engine with Movable Regenerator," United States Patent 2,907,169, Oct. 6, 1959. B8, D15. *
- 1959 j McMahon, H. O., and Gifford, W. E., "Fluid Expansion Refrigeration Method and Apparatus," United States Patent 2,906,101, Sept. 29, 1959. B8, C3. *
- 1959 k Havemann, H. A., Naryan Rao, N. N., Jayachandra, P., and Garg, G. C., "Studies for New Hot-Air Engine," J. Indian Inst. Sci., Sec. B., Vol. 38, No. 3, pp. 172-202, July, 1959. A0.
- 1959 l Meijer, R. J., "Hot-Gas Reciprocating Machine of the Displacer-Piston Type," United States Patent 2,885,855, May 12, 1959. D9. *
- 1959 m Meijer, R. J., "Hot-Gas Reciprocating Apparatus," United States Patent 2,867,973, Jan. 13, 1959. D8. *
- 1959 n Newton, A. B., "Refrigerant Engine and Work Device," United States Patent 2,909,902, October 27, 1959. B6, B8, C3, D18. *

- 1960 a Flynn, G., Percival, W. H., and Heffner, F. E., "The GMR Stirling Thermal Engine," SAE Paper 118A, 1960. E3. *
- 1960 b Henderson, R. E., and Dresser, D. L., "Solar Concentration Associated with the Stirling Engine," Amer. Rocket Soc., Space Power Systems Corp., Santa Monica, California, Sept. 1960. A4.
- 1960 c Kohler, J. W. L., "The Gas Refrigerating Machine and its Position in Cryogenic Technique," Prog. in Cryogenics, Vol. 2, pp. 41-67, 1960. C3, D2, D3. *
- 1960 d McMahon, H. D., and Gifford, W. E., "A New Low-Temperature Gas Expansion Cycle - Parts I and II," Advances in Cryogenic Engng., Vol. 5, Plenum Press, New York, pp. 354-372, 1960. C3, D5. *
- 1960 e Meijer, R. J., "The Philips Stirling Thermal Engine," Ph.D. Thesis, Technical University, Delft, 1960. B3, B6, B8, D2, D9, E3. *
- 1960 f Parker, M. D., and Smith, C. L., "Stirling Engine Development for Space Power," A.R.S. Space Power-Systems Conf., Sept. 1960. C7.
- 1960 g Rapley, C., "Heat Transfer in Thermal Regenerators," M.Sc. Thesis, Durham University, 1960. D15.
- 1960 h van der Ster, J., "The Production of Liquid Nitrogen from Atmospheric Air using a Gas Refrigerating Machine," Delft Technische Hochschule Thesis, 1960. C3.
- 1960 i "GMR Stirling Thermal Engine," Mechanical Engineering, Vol. 82, pp 88-89, April, 1960. C1. *
- 1960 j Finkelstein, T., "Optimization of Phase Angle and Volume Ratios in Stirling Engines," SAE Paper 118C, 1960. B3, B4, B6, B8, D2, D5, D17, D18. *
- 1960 k Stoddart, J. S., "An Analysis of the Stirling Cycle," Thesis, Durham University, 1960. D2.
- 1960 l Stoddart, D., "Generalized Thermodynamic Analysis of Stirling Engines," Thesis, Durham University, 1960. D2.
- 1960 m Garay, P. N., "Stirling Engine Betters Efficiency," Power, September, 1960. E3. *
- 1960 n Wintringham, J. S., "Potential Passenger Car Powerplants," SAE Paper No. S275 for meeting November 9, 1960. C1.
- 1960 o Meijer, R. J., "Thermo-Dynamic Reciprocating Apparatus," United States Patent 2,951,334, September 6, 1960. D9. *

- 1960 p Meijer, R. J., "Thermo-Dynamic Reciprocating Apparatus," United States Patent 2,959,019, November 8, 1960. D14. *
- 1960 q Meijer, R. J., "Hot-Gas Reciprocating Engine," United States Patent 2,963,854, December 13, 1960. D9. *
- 1960 r Meijer, R. J., "Thermo-Dynamic Reciprocating Apparatus," United States Patent 2,963,871, December 13, 1960. D14, D16 *
- 1960 s Wile, D. D., and Brainard, D. S., "Control System for Winter Operation of Air-Cooled Condensers," United States Patent 2,943,457, July 5, 1960. D8. *
- 1960 t Jonkers, C. O., and Köhler, J. W. L., "Gaseous Medium Leakage Prevention Arrangement for a Hot-Gas Reciprocating Machine," United States Patent 2,943,453, July 5, 1960. B3, B6, B8, D6. *
- 1960 u Jakeman, R. W., "The Construction and Testing of the Stirling Universal Research Engine," Durham University Thesis, 1960. E3.
- 1961 a Bayley, F. J., Edwards, P. A., and Singh, P.P., "The Effect of Flow Pulsations on Heat Transfer by Forced Convection from a Flat Plate," Int. Heat Trans. Conf., ASME, Boulder, Colorado, pp. 499-509, 1961. D15. *
- 1961 b Finkelstein, T., "Generalized Thermodynamic Analysis of Stirling Engines," SAE Paper No. 118B, 1961. D4. *
- 1961 c Newton, A. B., "Hot Gas Refrigeration System," United States Patent 2,993,341, July 25, 1961. B3, B6, B8, C3. *
- 1961 d Finkelstein, T., "Regenerative Thermal Machines," Battelle Tech. Rev., May, 1961. A7, B5, B6, B8. *
- 1961 e Part I - Finkelstein, T., "Conversion of Solar Energy into Power," ASME Paper No. 61-WA-297, 1962.
Part II - Eibling, J. A., "Collection of Solar Radiation," ASME Paper No. 61-WA-297, 1961.
A4, B3, B4, B6, B8, D2. *
- 1961 f Meek, R. M. G., "The Measurement of Heat-Transfer Coefficients in Packed Beds by the Cyclic Method," Int. Heat-Trans. Conf., (ASME), Boulder, Colorado, pp. 770-780, 1961. D15.
- 1961 g Murray, J. A., Martin, B. W., Bayley, F. J., and Rapley, C. W., "Performance of Thermal Regenerators Under Sinusoidal Flow Conditions," Int. Heat-Trans. Conf., (ASME) Boulder, Colorado, pp. 781-796, 1961. D15, E9. *

- 1961 h Chellis, F. F., and Hogan, W. H., "A Liquid-Nitrogen-Operated Refrigerator for Temperatures Below 77⁰k," 1961. A7, B1, C3, D2. *
- 1961 i Siegel, R., and Perlmutter, M., "Two-Dimensional Pulsating Laminar Flow in a Duct with a Constant Wall Temperature," Int. Heat-Trans. Conf., (ASME), Boulder, Colorado, pp. 517-535, 1961. D15. *
- 1961 j Wadsworth, J., "An Experimental Investigation of the Local Packing and Heat-Transfer Processes in Packed Beds of Homogeneous Spheres," Int. Heat-Trans. Conf., (ASME), Boulder, Colorado, pp. 760-769, 1961. D15. *
- 1961 k Walker, G., "The Operational Cycle of the Stirling Engine with Particular Reference to the Function of the Regenerator," J. Mech. Engng. Sci., Vol. 3, No. 4, pp. 394-408, 1961. D3, D15. *
- 1961 l Walker, G., "Some Aspects of the Design of Reversed Stirling-Cycle Machines," Ph.D. Thesis, Durham University, 1961. C3, D2.
- 1961 m Yagi, S., Kunii, D., and Wakao, N., "Radially Effective Thermal Conductivities in Packed Beds," Int. Heat-Trans. Conf., (ASME), Boulder, Colorado, pp. 742-749, 1961. A1, C2, D3, E3, E8, E9, E4. *
- 1962 a Finkelstein, T., "Cyclic Processes in Closed Regenerative Gas Machines Analysed by a Digital Computer, Simulating a Differential Analyzer," Trans. Am. Soc. Mech. Engr., Vol. B84, No. 1, Feb. 1962. D15.
- 1962 b Fleming, R. B., "An Application of Thermal Regenerators to the Production of Very Low Temperatures," Sc.D. Thesis, M.I.T., 1962. C3, D15.
- 1962 c Glassford, A. P. M., "An Oil-Free Compressor, Based on the Stirling Cycle," M.Sc. Thesis, M.I.T., 1962. B2, C4, D3, E3, D14, D15. *
- 1962 d Kirkley, D. W., "An Investigation of the Losses Occurring in Reciprocating Hot-Air Engines," Ph.D. Thesis, Durham Univ., 1963. D3. *
- 1962 e Kirkley, D. W., "Determination of the Optimum Configuration for a Stirling Engine," J. Mech. Engng. Sci., Vol. 4, No. 3, pp. 204-212, 1962. D2. *
- 1962 f Walker, G., "An Optimization of the Principal Design Parameters of Stirling-Cycle Machines," J. Mech. Engng. Sci., Vol. 4, No. 3, 1962. C3, D3, D9, D15. *
- 1962 g Hanold, R. J., and Johnston, R. D., "Power Plant Heat Storage Arrangement," United States Patent 3,029,596, April 17, 1962. A6. *

- 1962 h Khan, M. I., "The Application of Computer Techniques to the General Analysis of the Stirling Cycle," Thesis, Durham Univeristy, 1962. D4.---
- 1962 i Monson, D. S., and Welsh, H. W., "Allison Adapting Stirling Engine to One-Year-In-Space Operation," SAE Journal No. 70, pp. 44-51, 1962. A0, B3, B6, B8, C7.
- 1962 j Vonk, G., "Regenerators for Stirling Machines," Philips Technical Review, Vol. 24, p. 406, 1962. D15. *
- 1962 k Van Wittveen, R. A. J. O., "Experiments on High Power Hot Gas Engines," Philips Technical Review, Vol. 24, p. 409, 1962. E3. *
- 1962 l Finkelstein, T., "Regenerative Thermal Machines," Int. Science and Tech., pp. 54-59 and 84, May, 1962. B5, B6, B8. *
- 1962 m Creswick, F. A., and Mitchell, R. K., "Design and Construction of a Stirling-Cycle Engine to Drive a Gas-Furnace Circulating Blower," Battelle Research Report, Dec. 28, 1962. C5. *
- 1962 n "Investigation of a 3kw Stirling Cycle Solar Power System -- Volumes I through X," General Motors Corp., Allison Div., No. 1767, WADD-TR-61-122, published 1962 and 1963.
- 1962 o "Potential Capabilities of the Stirling Engine for Space Power," Aeronautical Systems Division, Wright-Patterson AFB, Ohio, ASD-TDR-62-1099, 1962. E3.
- 1963 a Finkelstein, T., "Analogue Simulation of Stirling Engines," Simulation, No. 2, March, 1963. D4.
- 1963 b Gamson, B. W., Thodos, G., and Hougen, O. A., "Heat, Mass and Momentum Transfer in the Flow of Gases Through Granular Solids," Trans. Am. Inst. Chem. Engrs., Vol. 39, pp. 1-35, 1963. D15.
- 1963 c Hogan, W. H., and Stuart, R. W., "Design Considerations for Cryogenic Refrigerators," ASME Paper No. 63-WA-292, 1963. C3.
- 1963 d Howard, C. P., "Heat-Transfer and Flow-Friction Characteristics of Skewed-Passage and Glass-Ceramic Heat-Transfer Surfaces," ASME Paper No. 63-WA-115, 1963. D15.
- 1963 e Prast, G., "A Philips Gas Refrigerating Machine for 20K," Cryogenics, pp. 156-160, September, 1963. B3, B5. *
- 1963 f Walker, G., "Regeneration in Stirling Engines," Engineer, Vol. 216, No. 5631, pp. 1097-1103, December, 1962. B3, B6, B8, D3, D15. *

- 1963 g Walker, G., "Density and Frequency Effects on the Pressure Drop Across the Regenerator of a Stirling-Cycle Machine," Engineer, Vol. 216, No. 1063, December, 1963. D15, E3. *
- 1963 h Malaker, S. F., and Daunt, J. G., "Minature Cryogenic Engine," United States Patent 2,074,244, Jan. 22, 1963. B5, B8, C3. *
- 1963 i Heffner, F. E., "Stirling Engine Ground Power Unit," General Motors Corp., Research Laboratories, 1963. A1, B3, B6, B8, C7.
- 1963 j "Potential Capabilities of the Stirling Engine for Space Power," Aeronautical Systems Division, Air Force Systems Command, Technical Documentary Report No. ASD-TDR-62-1099, January, 1963. D1.
- 1963 k Underwood, A., and Tsou, M. T., "Les Possibilitees du Moteur Stirling," Ingenieurs de l'Automobile, Vol. 36, No. 12, pp. 655-664, 1963. A0.
- 1963 l Weinhold, J., "Der Philips-Heissluftmotor," Motortechnische Zeitschrift, Vol. 24, No. 12, pp. 447-453, 1963. A0.
- 1963 m "Mobility Engineers Test Stirling Cycle Engines," Automotive Industries, Vol. 129, No. 3, pp. 35-37, 1963. A0.
- 1963 n Wolgemuth, C. H., "The Use of a Chemically Reactive Gas in a Closed Stirling Cycle," Ph.D. Thesis, Ohio St. University, 1963. D2, D18.
- 1963-o Prast, G., "A Philips Gas Refrigerating Machine for 20°K," Cryogenics, Vol. 3, pp. 156-160, September, 1963. C3.
- 1963 p Daunt, J. G., Rossi, R. A., Jakobsson, E. G., and Malaker, S. F., "Investigation of Gas Liquefiers for Space Operation," Malaker Labs Inc., Report - Oct., 1962-May, 1963. C3.
- 1963 q Gifford, W. E., and Longworth, R. C., "Pulse-Tube Refrigeration," ASME Paper No. 63-WA-290, 1963. C3.
- 1963 r Baas, H. B., and Veldhuijzen, E. J. J., "Hot-Gas Reciprocating Machine and System Composed of a Plurality of these Machines," United States Patent 3,074,229, January 22, 1963. B3, B6, B8. *
- 1963 s Hogan, W. H., "Method and Apparatus for Employing Fluids in a Closed Cycle," United States Patent 3,115,014, December 24, 1963. B8, D15. *

- 1964 a Bahnke, G. D., and Howard, C. P., "The Effect of Longitudinal Heat Conduction on Periodic-Flow Heat-Exchanger Performance," Journal of Engineering for Power, Vol. A86, pp. 105-120, 1964. D15. *
- 1964 b Finkelstein, T., "Analysis of Practical Reversible Thermodynamic Cycles," Jt. AIChE and ASME Heat Trans. Conf., Paper No. 64-HT-37, Cleveland, Ohio, 1964. D4. *
- 1964 c Finkelstein, T., "Specific Performance of Stirling Engines," The Journal of Applied Thermal Processes, 1964. D3. *
- 1964 d Gifford, W. E., and Longswarth, R. C., "Pulse-Tube Refrigeration Progress," Advances in Cryogenic Engng., Vol. 10, Section M-U, pp. 69-79, 1964. C3, E3. *
- 1964 e Howard, C. P., "The Single-Blow Problem Including the Effects of Longitudinal Conduction," ASME Paper No. 64-GTP-11, 1964. D15. *
- 1964 f Hogan, W. H., "Closed-Cycle Cryogenic Refrigerator and Apparatus Embodying Same," United States Patent 3,151,466, October 6, 1964. B6, C3, D18. *
- 1964 g Mondt, J. R., "Vehicular Gas Turbine Periodic-Flow Heat Exchanger Solid and Fluid Temperature Distributions," Journal of Engr. for Power, Trans. of ASME, Vol. 86, Series A, pp. 121-126, April, 1964. D15. *
- 1964 h Eluklin, N. K., and Strarosvitskill, S. I., "Heat Exchange and Hydraulic Resistance in Dumped Packings of Regenerators," Int. Chemical Engng., Vol. 4, No. 1, pp. 114-118, January, 1964. D15. *
- 1964 i Prast, G., "A Modified Philips-Stirling Cycle for Very Low Temperatures," Int. Advances in Cryogenic Engng., Vol. 10, pp. 40-45, 1964. C3, E3. *
- 1964 j "Feasibility of Isotopic Power for Manned Lunar Missions," Martin Marietta Corp., Volume 6 - Stirling Cycle System, AT(30-1)-3296, May, 1964. A3, A7.
- 1964 k Arend, P. C., Chelton, D. G., and Mann, D. B., "Satellite Refrigeration Study," National Bureau of Standards, Part II - Technical Analysis, No. NBS-8444, Sept. 1964. C3.
- 1964 l Kays, W. M., and London, A. L., "Compact Heat Exchangers," McGraw-Hill, 1964. E7, E8, E9, E10, E11.

- 1965 a --Creswick, F. A., "Thermal Design of Stirling-Cycle Machines,"
SAE Paper No. 949C, 1965. D3, D10, D14, D15, D16. *
- 1965 b Dros, A. A., "An Industrial Gas Refrigerating Machine with Hydraulic
Piston Drive," Philips Technical Review, Vol. 26, pp. 297-308,
1965. B5, B8, C3, D6, E3. *
- 1965 c Finkelstein, T., "Simulation of a Regenerative Reciprocating Machine
on an Analog Computer," SAE Paper No. 949F, 1965. D4. *
- 1965 d Gifford, W. E., and Longworth, R. C., "Surface Heat Pumping," Cryogenic
Engineering Conference, Rice University, Houston, Texas, 1965. -----
C3, E3. *
- 1965 e Kirkley, D. W., "A Thermodynamic Analysis of the Stirling Cycle and
a Comparison with Experiment," SAE Paper No. 949B, Int. Auto.
Engng. Congress, Detroit, Michigan, 1965. E3.
- 1965 f Kohler, J. W. L., "The Stirling Refrigeration Cycle," Scientific Amer.,
Vol. 212, No. 4, pp. 119-127, 1965. B3, B5, B6, B8, C3, D6. *
- 1965 g Meijer, R. J., "Philips Stirling Engine Activities," SAE Paper No. 949E,
Int. Auto. Engng. Congress, Detroit, Michigan, 1965. E3. *
- 1965 h Rietdijk, J. A., Van Beukering, H. C. J., Van Der Aa, H. H. M., and
Meijer, R. J., "A Positive Rod or Piston Seal for Large Pressure
Differences," Philips Tech. Rev. Vol. 26, No. 10, pp. 287-296,
1965. D6. *
- 1965 i Walker, G., and Khan, M., "The Theoretical Performance of Stirling-Cycle
Machines," SAE Paper No. 949A, Int. Auto. Engng. Congress, Detroit,
Michigan, 1965. D2. *
- 1965 j Walker, G., "Some Aspects of the Design of Reversed Stirling-Cycle
Machines," ASHRAE Paper No. 231, Summer Meeting, Portland, 1965.
C3, D2, D15, D18. *
- 1965 k Hanson, K. L., "Thermal Integration of Electrical Power and Life Support
Systems for Manned Space Stations," General Electric Co.,
No. NASA-CR-316, Nov. 1965. C7.
- 1965 l "Stirling Machine Developments," The Engineer, pp. 906-912, Nov. 26,
1965. B3, B5, B6, B8, C3, E3. *
- 1965 m Dineen, J. J., "Heat Engine," United States Patent 3,220,178, Nov. 30,
1965. B6, D10. *
- 1965 n Higa, W. A., "A Practical Philips Cycle for Low-Temperature
Refrigeration," No. NASA-TR-32-712, 1965. C3.

- 1965 o Farber, E., and Prescott, F. L., "Closed-Cycle Solar Hot-Air Engines," "Part 1 - A 1/4 hp Engine," "Part 2 - A 1/3 hp, Pressurized Engine," Solar Energy Vol. 9, No. 4, pp. 170-176, October-December, 1965. A4, E3. *
- 1965 p Weissler, P., "GM's Amazing New 2-Piston Engine," Science and Mechanics, pp. 76-79, 104-105, March, 1965. A0.
- 1965 q Zanzig, J., "Stirling Cycle Engine," SAE Paper No. 733B, 1965. A0.
- 1965 r Barker, J. J., "Heat Transfer in Packed Beds," Industrial and Engineering Chemistry, Vol. 57, No. 4, pp. 43-51, April, 1965. D15. *
- 1965 s Bayley, F. J., and Rapley, C., "Heat Transfer and Pressure Loss Characteristics of Matrices for Regenerative Heat Exchangers," ASME Paper No. 65-HT-35, August, 1965. E7. *
- 1965 t Heffner, F. E., "Highlights from 6500 Hours of Stirling Engine Operation," SAE Paper No. 949D, and GMR Publication No. GMR-456, 1965. - E3. *
- 1965 u Trayser, D. A., Bloemer, J. W., Thorson, J. R., and Eibling, J. A., "Feasibility of a 50-watt Portable Generator Using a Solar Powered Stirling-Cycle Engine," RACIC Report, Battelle, Jan. 18, 1965. A4, B3, B6, B8, C7, D2, D6, D14. *
- 1965 v Du Pre, F., and Daniels, A., "Miniature Refrigerator Opens New Possibilities for Cryo-Electronics," North Amer. Philips Co., reprinted from Signal Magazine, September, 1965. B3, C3. *
- 1965 w Nobrega, A. C., "A Harmonic Analysis of Stirling Engines," Thesis, M.I.T., 1965. D2.
- 1965 x Prast G., "A Gas Refrigerating Machine for Temperatures Down to 20°k and Lower," Philips Tech. Rev., Vol. 26, No. 1, pp. 1-11, Jan. 1, 1965. C3, D2. *
- 1965 y Breazeale, W. L., "Apollo Extension System Studies. State of the Art of Radioisotope Power Systems for Lunar Surface Vehicles," Northrop Space Labs, No. NASA-CR-61055, May 1965. A3, C1.
- 1965 z Walker, G., "Reversed Stirling Cycle Refrigerating Machines -- Some Aspects of Design," Presented at ASHRAE, Portland, Oregon, July, 1965. C3.

- 1966 a "Analytical Report on Six Studies Basic to Consideration of the Artificial Heart Program," Hittman Associates, Vol. I to III, PB 173050 to PB 173052, 1966. A3, B2, B3, B6, B7, B8, B9, C4. *
- 1966 b Romie, F. E., and Ambrosio, A., "Heat Transfer to Fluids Flowing with Velocity Pulsations in a Pipe," Heat Transfer, Thermodynamics and Education, pp. 273-294, McGraw-Hill, 1967. D14, D16.
- 1966 c Trayser, D. A., and Eibling, J. A., "A 50-watt Portable Generator Employing a Solar-Powered Stirling Engine," IECEC Record 669019, pp. 238-244, 1966. A4, B4, B8, C7, D7, D18. *
- 1966 d van Nederveen, H. B., "The Nuclear Stirling Engine," First Inter. Conf. on the use of Radioisotopes, Paper 35, 1966. A3. *
- 1966 e Horton, J. H., "Military Engines for Ground Power," Automotive Industries, pp. 65-67, May 1, 1966. A1, D18. *
- 1966 f Van Witteveen, R. A. J. O., "The Stirling Engine, Present and Future," UKAEA/ENEA Symp. on Industrial Appl. for Isotopic Power Generators, Howell, England, September, 1966. A3, C7.
- 1966 g Meijer, R. J., "Philips Stirling Engine Activities," SAE Transactions, Paper 74, pp. 18-32, 1966. A1, B3, B6, B8, C2.
- 1966 h Rea, S. N., "A Study of Thermal Regenerators Subjected to Rapid Pressure and Flow Cyclings," Ph.D. Thesis, M.I.T., Feb., 1966. D15. *
- 1966 i Longworth, R. C., "An Analytical and Experimental Investigation of Pulse Tube Refrigeration," Ph.D. Thesis, Syracuse University, June, 1966. C3.
- 1966 j Jakeman, R. W., "The Construction and Testing of the Stirling Universal Research Engine," Thesis, Durham University, 1966. E3.
- 1966 k Dros, A. A., "Large-Capacity Industrial Stirling Machine," Inter. Advances in Cryogenic Engng., Vol. 10, 1966. B5, B8, C3, D15, E3. *
- 1966 l Daniels, A., and Du Pre, F. K., "Closed Cycle Cryogenic Refrigerators as Integrated Cold Sources for Infrared Detectors," Philips Co., Reprint from Applied Optics, Vol. 5, No. 9, Sept. 1966. C3. *
- 1966 m Ricardo, H. Sir, "Stirling Cycle Hot Air Engine," Engineer, Vol. 221, No. 5750, April 8, 1966. B5, B6, B8. *
- 1966 n "Industrial Applications for Isotopic Power Generators," European Nuclear Energy Agency, September, 1966. A3, C7.
- 1966 o Morgenroth, H., "Stirling Cycle Engine Divided into a Pressure Generating Unit and Energy Converting Unit," United States Patent 3,248,870, May 3, 1966. B4, B6, B8. *

- 1966 p Koenig, K., "An Investigation into a Means of Approaching Isothermal Processes Applicable to Stirling Cycle Machines," Mass. Inst. of Tech., M.Sc. Thesis, January 1966. D14, D16. *
- 1967-a De Socio, L., and Pallabazzer, R., "Thermodynamical Analysis of Stirling Cycle Power Plants," Convegno Internazionale Delle Comunicazioni, 15th, Genoa, Italy, Oct. 12-15, 1967. D2.
- 1967 b Trayser, D. A., and Eibling, J. A., "A 50-watt Portable Generator Employing a Solar Powered Stirling Engine," Solar Power, Vol. 11, No. 3 and 4, pp. 153-159, 1967. A4, C7, D1. *
- 1967 c Finkelstein, T., "Thermophysics of Regenerative Energy Conversion," AIAA Paper No. 67-216, 1967.—B3, B5, B8, D4, D15. *
- 1967-d Finkelstein, T., "Thermodynamic Analysis of Stirling Engines," Journal of Spacecraft & Rockets, Vol. 4, No. 6, 1967. D4. *
- 1967 e Lucek, R., Damsz, G., and Daniels, A., "Adaption of Rolling-Type Seal Diaphragms to Miniature Stirling-Cycle Refrigerators," Air Force Flight Development Laboratory Report No. AFFDL-TR-67-96, 1967. D6, D18, E4. *
- 1967 f Walker, G., "Stirling-Cycle Engines for Total-Energy Systems," Inst. Gas Tech., August, 1967. A1, B3, B6, B8, C1, C3, C4, C7, D8, E6. *
- 1967 g van Beukering, H. C. J., and Van Der Aa, H. H. M., "A Rolling Diaphragm Seal for High Pressures and High Speeds," 3rd Inter. Conf. on Fluid Sealing, Paper G4, 1967. D6.
- 1967 h Kovton, I. M., Naumov, A. M., and Nesterenko, V. B., "Stirling Cycle in Dissociating Gas," Int. Chem. Engng., Vol. 7, No. 4, pp. 608-610, October, 1967. D2, D5, D18. *
- 1967 i Cooke-Yarborough, E. H., "A Proposal for a Heat-Powered Non-Rotating Electrical Alternator," AERE Report No. AERE - M 1881, 1967. A3, C7, D5. *
- 1967 j Neelen, G. T. M., "De Philips-Stirling Motor," Van Klassiek Idee/Tot Moderne Krachtbron, Ship en werf Vol. 17, 1967. A0.
- 1967 k Tabor, H. Z., "Power for Remote Areas," Inter. Science and Tech., pp. 52-59, May, 1967. D1. *
- 1967 l Rea, S. N., Smith, J. L. Jr., "The Influence of Pressure Cycling on Thermal Regenerators," Jour. of Engineering for Industry, Trans. of ASME, Vol. 89, No. 3, Series B, pp. 563-569, Aug. 1967. D15, E9. *

- 1967 m Kohlmayer, G. F., "Extension of the Maximum Slope Method for Arbitrary Upstream Fluid Temperature Changes," ASME Paper No. 67-HT-79, August, 1967. D14, D16. *
- 1967 n Qvale, E. B., "An Analytical Model of Stirling-Type Engines," M.I.T., January, 1967. D4. *
- 1968 a Chironis, N. P., "Smogless Stirling Engine Promises New Versatility," Prod. Engr., Vol. 39, No. 5, pp. 30-33, Feb. 26, 1968. B3, B6, B8, C1. *
- 1968 b Patterson, D. J., and Bolt, J. A., "Low Pollution Heat Engines," IECEC Record, pp. 779-784, 1968. D1. *
- 1968 c Martini, W. R., Johnston, R. P., Goranson, R. B., and White M. A., "Development of a Simplified Stirling Engine to Power Circulatory Assist Devices," IECEC Record 689102, pp. 833-749, 1968. C4, D2. *
- 1968 d Volger, J., "Superconductivity," Philips Technical Review, Vol. 29, No. 1, pp. 1-16, 1968. C3. *
- 1968 e Buck, K. E., Forrest, D. L., and Tamai, H. W., "A Radioisotope-Powered Stirling Engine for Circulatory Support," IECEC Record, No. 689101, pp. 723-732, 1968. A3, A7, B2, C4, D6, D15, E3. *
- 1968 f Reed, B., "Hot-Gas Engines," Gas and Oil Power, Vol. 64, No. 739, pp. 8-11, January, 1968. B6, B8, C1, C7, D6. *
- 1968 g Rios, P. A., and Smith, J. L., Jr., Advances in Cryogenic Engng., Vol. 13, pg. 566, Plenum Press, New York, 1968. B5, C3. *
- 1968 h Buck, K. E., "Conceptual Design of an Implantable Radioisotope Power Source for Circulatory Support Systems," Aerojet General Corp., Final Tech. Rept., No. AGN-8258, Jan. 26, 1968. A3, A6, B2, B7, C4.
- 1968 i Malik, M. J., "Stirling Cycle Drive for an Electrokinetic Transducer," United States Patent 3,400,281, Sept. 3, 1968. B3, B7, B9. *
- 1968 j Buck, K. E., "Experimental Efforts in Stirling Engine Development," ASME Paper No. 68-WA/Ener-3, 1968. A3, C4, E3. *
- 1968 k Kolin, I., "The Stirling Cycle with Nuclear Fuel," Nuclear Engng., pp. 1027-1034, December, 1968. A3, B3, B4, B6, B8, D2. *
- 1968-l Martini, W. R., "A Stirling Engine Module to Power Circulatory-Assist Devices," ASME Paper No. 68-WA/Ener-2, 1968. A3, A6, A7, B2, B3, B8, C4, E3. *

- 1968 m -- Qvale, E. B., and Smith, J. L. Jr., "A Mathematical Model for Steady Operation of Stirling-Type Engines," Journal of Engng. Pwr., No. 1, pp. 45-50, January, 1968. D3, E3. *
- 1968 n Walker, G., "Military Applications of Stirling-Cycle Machines," IECEC Record No. 689135, pp. 1008-1016, 1968. E3. *
- 1968 o Cheaney, E. S., Creswick, F. A., Fisher, R. D., Hoess, J. A., and Traysér, D. A., "Study of Unconventional Thermal, Mechanical, and Nuclear Low-Pollution-Potential Power Sources for Urban Vehicies - Summary Report," Battelle Mem. Inst., May 15, 1968. D1.
- 1968 p Lienesch, J. H., and Wade, W. R., "Stirling Engine Progress Report - Smoke, Odor, Noise and Exhaust Emissions," SAE Paper No. 680081, January 8-12, 1968. A1, D13, E3. *
- 1968 q Meijer, R. J., "Der Philips-Stirlingmotor," Motortechnische Zeitschrift, Vol. 29, No. 7, pp. 284-298, 1968. A0.
- 1968 r Rios, P. A., Qvale, E. B., and Smith, J. L. Jr., "An Analysis of the Stirling Cycle Refrigerator," Cryogenic Eng. Conf., Paper J1, pp. 332-342, 1968. B5, C3, D1, D15. *
- 1968 s Goranson, R. B., "Application of the Radioisotope-Fueled Stirling Engine to Circulatory Support Systems," MDAC Final Report, No. DAC-60742, June, 1968. A3.
- 1968 t Vedin, B. A., "Stirlingmotorn," Ny Teknik, Vol. 2, No. 34, pp. 16-17, 20, 1968. A0.
- 1968 u Martini, W. R., "Design and Development of the Stirling Cycle Energy Converter to Power Circulatory Support Systems," MDAC Annual Report, No. DAC-60763, July, 1968. B2, C4, D2, E3, E9. *
- 1968 v "The General Motors Stirling Engine: Applications from Under the Sea to Outer Space," GMR Laboratories, December 2, 1968. A6, C7. *
- 1968 w Cowans, K. W., "Heat Powered Engine," United States Patent 3,379,026, April 23, 1968. B5, B8, C3. *
- 1968 x Magee, F. N., and Doering, R. D., "Vuilleumier Cycle Cryogenic Refrigerator Development," Air Force Flight Dynamics Lab., Report No. AFFDL-TR-68-67, August, 1968. A3, A4, B1, C3, D3, E3. *
- 1968 y Leach, C. E., and Fryer, B. C., "Radioisotope Energized Undersea Stirling Engine," IECEC-Record No. 689115, pp. 830-844, 1968. A3, B3, B8, E3. *

- 1968 z "Low Emission, Quiet Engines Highlight Advanced Powerplant Sessions at 1969 Annual Meeting," SAE Journal, October, 1968. A1, B3, B7, B9. *
- 1968 aa "GM Stir-Lec I -- A Stirling Engine - Electric Hybrid Car," GMR Laboratories, November, 1968. C1. *
- 1968 ab "Stirling Engine - Isotope Power Source," Isotopic Heat and Power Development, Isotopes and Radiation Tech., Vol. 6, No. 1, Fall, 1968. A3. *
- 1968 ac Kohler, J. W. L., "Computation of the Temperature Field of Regenerators with Temperature-Dependent Parameters," Brighton Cryogenics Conf., 1968. D15. *
- 1968 ad Walker, G., "Dynamical Effects of the Rhombic Drive for Miniature Cooling Engines," Advances in Cryogenic Engng., Vol. 14, or Proc. of Cryogenic Engng. Conf., Paper J-5, pp. 370-377, Aug. 19-21, 1968. B3, B6, B8, C3, E3, E6. *
- 1969 a Martini, W. R., Johnston, R. P., and Noble, J. E., "Mechanical Engineering Problems in Energetics - Stirling Engines," ASME Paper No. 69-WA/Ener-15, or MDAC Paper WD 1109, 1970. B2, B3, B6, B7, B8, B9, D3. *
- 1969 b Wolgemuth, C. H., "The Equilibrium Performance of the Theoretical Stirling Cycle with Chemically Reactive Gas as the Working Fluid," The Performance of High Temperature Systems, Vol. 2, Paper 20, pp. 371-387, 1969. D2, D18. *
- 1969 c Leeth, G. G., "Energy Conversion Devices for Ground Transportation," IECEC Record 699115, p. 933, 1969. C1.
- 1969 d Hoess, J. A., and Stahman, R. C., "Unconventional Thermal Mechanical and Nuclear Low-Pollution - Potential Power Sources for Urban Vehicles," IECEC Record, pp. 959-980, 1969. C1, D1. *
- 1969 e Meijer, R. J., "The Philips Stirling Engine," De Ingenieur, Jrg. 81, Nr. 18, May 2, 1969, pp. W69-W79, and Jrg. 81, nr 18, May 9, 1969, pp. W81-W93. B3, B6, B8, D2, D5, D6, D9, E3. *
- 1969 f Mattavi, J. N., Heffner, F. E., and Miklos, A. A., "The Stirling Engine for Underwater Vehicle Applications," SAE Paper No. 690731 or General Motors Research Publ. No. GMR-936, 1969. A1, A6, A7, B3, B5, B6, B8, B9, C1, E3. *
- 1969 g "Metal-Combustion Energy Drives Stirling Engines Under the Sea," Product Engineering, pp. 104-105, Dec. 15, 1969. A7. *

- 1969 h Beale, W. T., "Free Piston Stirling Engines - Some Model Tests and Simulations," SAE Paper No. 690230, Jan. 13-17, 1969. B3, B7, B9, D2, E6. *
- 1969 i Buck, K. E., "An Implantable Artificial Heart," Mechanical Engng., pp. 20-25, Sept. 1969. A3, B2, C4, E3. *
- 1969 j Agarwal, P. D., Mooney R. J., and Toepel, R. P., "Stirlec I, A Stirling Electric Hybrid Car," SAE Paper No. 690074, 1969. C1.
- 1969 k Lienesch, J. H., and Wade, W. R., "Stirling Engine Operating Quietly with Almost No Smoke and Odor, and with Little Exhaust Emissions," SAE Journal, pp. 40-44, January, 1969. E2, E8. *
- 1969 l Magee, P. R., and Datriing R., "Vuilleumier-Cycle Cryogenic Refrigerator Development," Technical Report, Air Force Flight Dynamics Lab., No. TR 68-69, 1969. C3.
- 1969 m Meijer, R. J., "Rebirth of the Stirling Engine," Science Journal, No. 2, pp. 31-39, August, 1969. C2. *
- 1969 n Qvale, E. B., and Smith, J. L., Jr., "An Approximate Solution for the Thermal Performance of a Stirling Engine Regenerator," J. Engng. Power, pp. 109-112, April, 1969. D15. *
- 1969 o Rios, P. A., and Smith, J. L., Jr. "An Analytical and Experimental Evaluation of the Pressure-Drop Losses in the Stirling Cycle," ASME Paper No. 69-WA/Ener-8, 1969. E3. *
- 1969 p Vasishta, V., "Heat-Transfer and Flow-Friction Characteristics of Compact Matrix Surfaces for Stirling-Cycle Regenerators," M.Sc. Thesis, University of Calgary, 1969. D15.
- 1969 q Walker, G., "Dynamical Aspects of the Rhombic Drive for Small Cooling Engines," Advances in Cryogenic Engineering, Vol 14, pp. 370-377, 1969. D9, E5. *
- 1969 r ver Beek, H. J., "A Two-Stage Compressor with Rolling Diaphragm Seals," Philips Technical Review, Vol. 30, No. 2, pp. 51-54, 1969. B2, B6. *
- 1969 s Farber, E. A., "Supercharged and Water Injected Stirling Engine," ASME Paper No. 69-WA/Sol-3, 1969. E12. *
- 1969 t Meijer, R. J., "Mit Elektro-Wärme Speicher und Stirlingmotor - eine Mechanische Antrieb-Alternative," Denkschrift, Teil-11/1969, pp. 143-164. Elektrofahrzeuge, Deutsche Forschungsgemeinschaft, 1969. A6.
- 1969 u Meijer, R. J., "Philips Stirling-Motor - Varmgasmotor med Utvecklingsmøjligheter," Teknisk Tidsskrift, Vol. 99, No. 17, pp. 373-378, 1969. A0.

- 1969 v "The New Stirling Engine 'Search'," General Motors Research Laboratories, 1969. A1, B3, B6, B8. *
- 1969 w "Stirling Engines Vie for Underwater-Vehicle Jobs," Product Engng., Vol. 40, No. 24, December, 1969. C1. *
- 1969 x Martini, W. R., Johnson, R. P., and Noble, J. E., "The Thermocompressor and its Application to Artificial Heart Power," MDAC Paper 10.177, September, 1969. B2, DL, E3. *
- 1969 y "Stirling Engine - A New Lease on Life," Mechanical Engng., p. 52, July, 1969. C1. *
- 1969 z Meijer, R. J., "Combination of Electric Heat Battery and Stirling Engine - An Alternative Source of Mechanical Power," Denkschrift Elektrospeicherfahrzeuge, Vol. 11, 1969. A1, A6, C1, E1. *
- 1969 aa "ICICLE Feasibility Study," Advanced Technology Lab., Final Report, 1969. A3, B1, C3, D1, D14, D15, D16, D17, D3. *
- 1969 ab "Stratos-Dineen Stirling Cycle Engine (5 to 50 hp Range)," U.S. Government Interagency Advanced Power Group Project Brief, PIC No. 1762, May 1969. A1, B3, B6, B8. *
- 1969 ac Beale, W. T., "Free-Piston Stirling Engines - Some Model Tests and Simulations," IECEC Record 690230, 1969. B9. *
- 1969 ad "GMR Stirling Engine Generator Set," sales handout from GM Research, Warren, Michigan, 1969. E3. *
- 1969 ae "GMR Stirling Engine Generator Set," sales handout from GM Research, Warren, Michigan, 1969. E3. *
- 1969 af Buck, K. E., "Development of a Stirling Cycle Power System for Artificial Hearts," Proc. 4th IECEC Conf., Paper 699016, pp. 115-121, Sept. 1969. C4.
- 1969 ag Wolgemuth, C. H., "Dynamic Performance of a Thermodynamic Cycle Using a Chemically Reactive Gas," IECEC Paper No. 699073, pp. 599-605, Sept. 1969. D2, D18. *
- 1969 ah Sadvskii, M. R., Maikov, V. P., and Elukhin, N. K., "Investigation of the Heat Transfer and Hydraulic Resistance of Gauze Packing," Int. Chem. Eng., Vol. 9, No. 4, pp. 592-595, Oct. 1959. D15. *
- 1969 ai Meulenbergh, R. E., and Abell, T. W. D., "Marine Applications of Stirling Cycle Refrigerators," Inst. of Mar. Engrs.-Trans., Vol. 81, No. 7, pp. 225-248, July, 1969. C3.
- 1969 aj Magladry, R., and Zindler, G. F., "Conceptual Design Studies of Two TURPS Using Stirling and Direct Energy Conversion Cycles," Isotopes, Inc., Tech. Rept., No. AFWL-TR-68-73, Jun. 68-Mar. 69. A3, C7.

- 1969 ak Buck, K. E., O'Keefe, R. J., Carney, H. C., and Tamai, H. W., "Development and 'In Vivo' Testing of an Implantable Stirling Cycle Heart Engine," Aerojet-General Corp., No. AN-1732, March-November, 1969. A3, B2, B7, C4.
- 1969 al Martini, W. R., "Implanted Energy Conversion System," MDAC Annual Report, No. MDC G2025, June 29, 1968-June 28, 1969. C3, D8, E3. *
- 1969 am Rios, P. A., "An Analytical and Experimental Investigation of the Stirling Cycle," Ph.D. Thesis, M.I.T., 1969. D4. *
- 1969 an Rios, P. A., Smith, J. L., Jr., and Qvale, E. G., Advances in Cryogenic Engineering, Vol. 14, pg. 332, Plenum Press, New York, 1969. C3.
- 1969 ao "Quiet Engine - Stirling Cycle, Vapour Cycle," General Motors Research Laboratories, May, 1969. A0. *
- 1969 ap "Energy Storage Systems Complement the Stirling Engine," General Motors Research Laboratories, May, 1969. A6. *
- 1969 aq Bush, Vannevar, "Hot Gas Engines Method and Apparatus," United States Patent 3,457,722, July 29, 1969. B5, D6, D8, D15. *
- 1970 a Underwood, A. F., "Requiem for the Piston Engine?" Machine Design, pp. 20-34, Aug. 6, 1970. B3, B6, B8, C1, E3. *
- 1970 b Fraize, W. E., and Lay, R. K., "A Survey of Propulsion Systems for Low-Emission Urban Vehicles," ASME Paper 70-Tran-49, 1970. D1. *
- 1970 c "Dutch on the Road to a Pollution-Free Engine," Business Week, pp. 52-53, Jan. 10, 1970. A1, C1. *
- 1970 d Meijer, R. J., "Prospects of the Stirling Engine for Vehicular Propulsion," Philips Tech. Review, Vol. 31, No. 5/6, pp. 168-185, 1970. A1, A7, B3, B6, B8, B9, B5, C1, E8. *
- 1970 e Cooke-Yarborough, E. H., "Heat Engines," United States Patent 3,548,589, Dec. 22, 1970. C7, D16. *
- 1970 f Finkelstein, T., "Thermocompressors, Vuilleumier and Solvay Machines," IECEC Record 709025, p. 2-20, 1970. B2.
- 1970 g Finkelstein, T., Walker, G., and Joshi, T., "Design Optimization of Stirling-Cycle Cryogenic Cooling Engines, by Digital Simulation," Cryogenic Engineering Conf., Paper K4, June, 1970. B1, B3, D3, D4. *

- 1970 h Pitcher, G. K., and Du Pre, F. K., "Miniature Vuilleumier-Cycle Refrigerator," Proc. Cryogenic Engineering Conf., June, 1970. B1, B6, B8, C3, E3. *
- 1970 i Kuhlmann, P., and Zapf, H., "Der Stirlingmotor eine neue Kraftmaschine Sonderdruck aus der MAN-Informationsschrift," Tooschen, Planen Bauen, 1970. A0.
- 1970 j Meijer, R. J., "The Philips Stirling Engine as a Propulsion Engine," IECEC Record 709196, p. 16-8, 1970. A1, B3, B6, B8, C1, E3. *
- 1970 k Organ, A. J., "Stirling Engine Power and Transmission," Journal of Automotive Engineering, Vol. 1, No. 5, pp. 9-16, 1970. A1, C1, C4.
- 1970 l Kuhlman, P., and Horst, Z., "The Stirling Engine - A New Prime Mover," MAN Research Engng. Manuf., Sept., 1970, pp. 56-60. A1, C1.
- 1970 m Kim, J. C., "An Analytical and Experimental Study of Heat Transfer and Flow-Friction Characteristics for Periodically Reversing Flow through the Porous Matrix of Thermal Regenerators," Ph.D. Thesis, Purdue University, June, 1970. D15. *
- 1970 n Bender, R. J., "Technical Briefs," Power Reader Service Section, March, 1970. Also, "No Air Pollution, No Noise with a Stirling Engine," Power, March, 1970. A0. *
- 1970 o "The Stirling Engine," United Stirling, October 23, 1970. A1, A6, B3, B6, B8, D1, E1. *
- 1970 p Prast, G., and Rietdijk, J. A., "Device for Converting Mechanical Energy into Heat Energy or Conversely," United States Patent 3,487,635, Jan. 6, 1970. B4, B6, B7, B8, C2. *
- 1970 q "Supercharged and Water Injected Solar Hot Air Engine," Engr. Prog., Univ. of Florida, Vol. 24, No. 2, pp. 1-16, Jan. 1970. A4.
- 1970 r Buck, K. E., Tamai, H. W., Rudnicki, M. I., and Faeser, R. J., "Test and Evaluation of a Breadboard Modified Stirling-Cycle Heart Engine," Aerojet Nuclear Systems Co., Annual Rept., No. 3968, June 1968-May 1969. A3, B2, B7, C4.
- 1970 s Bush, Vannevar, "Compound Stirling Cycle Engines," United States Patent 3,527,049, Sept. 8, 1970. B8, D8. *
- 1970 t Walters, S., "Briefing the Record," Mech Engr., Vol. 92, No. 9, pp. 44-45, Sept. 1970. A3, A6, C4. *
- 1970 u Neelen, G. T. M., "Vacuum Brazing of Complex Heat Exchangers for the Stirling Engine," Welding Journal, Vol. 49, No. 5, pp. 381-386, May, 1970. D15, E13. *

- 1970.v Martini, W. R., Johnston, R. P., Goranson, R. B., and White, M. A., "Development of a Simplified Stirling Engine to Power Circulatory-Assist Devices," Isotopes and Radiation Tech., Vol. 7, No. 2, pp. 145-160, Winter, 1969-1970. A3, B2, B3, B6, B8, C3, C7, D2, D5, E3. *
- 1970 w "A Report on the Performance Characteristics of Power Sources for Remote Areas," Booz-Allen Applied Research Inc., Final Rept., No. DAAD05-68-C-178, April, 1970. D1.
- 1970 x Holmgren, J. S., "Implanted Energy Conversion System," MDAC Annual Report, No. PH43-67-1408-3, June 29, 1969-July 7, 1970. A6, C3, E3. *
- 1970 y Harris, W. S., "Regenerator Optimization For A Stirling Cycle Refrigerator," M.Sc. Thesis, M.I.T., January, 1970. D15, E9. *
- 1970 z Rios, P. A., and Smith, J. L., Jr., "An Analytical and Experimental Evaluation of the Pressure-Drop Losses in the Stirling Cycle," Transactions ASME, Jnl. Eng. for Power, pg. 182-188, April, 1970. (Same as 1969 o) D15, E7.
- 1970 aa Howlett, R., "A Digital Computer Simulation of the Thermo-Mechanical Generators," AERE Report, AERE-M 2294, April, 1970. D3. *
- 1970 ab Howlett, R., "The Computed Performance of a Thermo-Mechanical Generator Undergoing Sinusoidal Motion," AERE Report, AERE-M 2345, April, 1970. D3. *
- 1970 ac Leo, B., "Designer's Handbook for Spaceborne Two-Stage Vuilleumier Cryogenic Refrigerators," Air Force Flight Dynamics Laboratory, Report No. AFFDL-TR-70-54, June, 1970. B1, C3, D3. *
- 1971 a Huffman, F. N., Hagen, K., "Vapor Cycle Energy System for Implantable Circulatory Assist Devices," Annual Progress Rept., No. TE 4100-6-72, August 1971. A3, B2, C4, D18.
- 1971 b Huffman, F. N., Coleman, S. J., Bornhorst, W. J., and Harmison, L. T., "A Nuclear Powered Vapor Cycle Heart Assist System," IECEC Record, No. 719039, pp. 277-287, 1971. A3, C3, D8. *
- 1971 c Zimmerman, M. D., "The Stirling Engine," Machine Design, Vol. 43, No. 13, pp. 21-25, May 27, 1971. A1, B3, B5, B6, B8, B9, C1, E3. *
- 1971 d Scott, D., "Amazing Hot-Gas Engine Powers Clean-Air Bus," Popular Science, pp. 54-56, June, 1971. A1, B3, B5, B6, B8, B9, C1. *
- 1971 e de Wilde de Ligny, J. H., "Heavy Duty Stirling Engine, A Progress Report," Intersociety Energy Conver. Conf., Boston, Aug. 5, 1971. A1, B3, B6, B8, E3, E6. *

- 1971 f Michels, A. P. J., "The No-Content in the Exhaust Gases of a Stirling Engine," SAE Paper No. 719134, October, 1971. A1, B3, B6, B8, E2, E7. *
- 1971 g Beale, W., Rauch, J., Lewis, R., and Mulej, D., "Free Cylinder Stirling Engines for Solar-Powered Water Pumps," ASME Paper No. 71-WA/Sol-11, August, 1971. A4, B3, B7, B9, C4, E3. *
- 1971 h Daniels, F., "Power Production with Assemblies of Small Solar Engines," ASME Paper No. 71-WA/Sol-5, Nov. 28-Dec. 2, 1971. A4, C7. *
- 1971 i Riggle, P., Noble, J., Emigh, S. G., Martini, W. R., and Harrison, L. T., "Development of a Stirling Engine Power Source for Artificial Heart Application," MDAC Paper No. WD 1610, Sept. 1971. A3, A6, B2, B7, C4, E4, E5, E9. *
- 1971 j Gibson, B. M., Hornbeck, C. J., Longworth, R. C., and Harrison, L. T., "Bypass Gas-Actuated Thermocompressor as an Implantable Artificial Heart Power Source," IECEC Record No. 719043, pp. 310-316, 1971. A3, B2, C4, D8, E3. *
- 1971 k Agbi, T., "The Beale Free-Piston Engine," M.Sc. Thesis, University of Calgary, 1971. B9.
- 1971 l Daniels, A., and Du Pre, F. K., "Miniature Refrigerators for Electronic Devices," Philips Tech. Rev., Vol. 32, No. 2, pp. 49-56, 1971. B1, B3, B6, B8, C3, D10, D11, D15, E5, E10. *
- 1971 m Neelen, G. T. M., Ortegren, L. G. H., Kuhlmann, P., and Zacharias, F., "Stirling Engines in Traction Applications," C.I.M.A.C., 9th Int. Congress on Combust. Eng., A26, 1971. C1, E1, E3. *
- 1971 n Walker, G., and Vasishta, V., "Heat-Transfer and Friction Characteristics of Dense-Mesh Wire-Screen Stirling-Cycle Regenerators," Advances in Cryogenic Engng., Vol. 16, pp. 324-332, 1971. E9, E13. *
- 1971 o Wan, W. K., "The Heat-Transfer and Friction-Flow Characteristics of Dense-Mesh Wire-Screen Regenerator Matrices," M.Sc. Thesis, University of Calgary, 1971. D15.
- 1971 p Daniels, A. and Du Pre, F. K., "Triple-Expansion Stirling Cycle Refrigerator," Advances in Cryogenic Engng., Vol. 16, pp. 178-184, 1971. B3, C3, E3, E13. *
- 1971 q Davis, S. R., Henein, N. A., and Lundstrom, R. R., "Combustion and Emission Formation in the Stirling Engine with Exhaust Gas Recirculation," SAE Paper, No. 710824, 1971. D13.
- 1971 r Hamerak, K., "Der Heissgasmotor - eine Interessante Hubkolbenkraftmaschine mit Ausserer Verbrennung," Energie und Technik, Vol. 23, No. 5, pp. 175-178, 1971. A0.

- 1971 s Harris, W. S., Rios, P. A., and Smith, J. L., "The Design of Thermal Regenerators for Stirling-Type Refrigerators," Advances in Cryogenic Engng., Vol. 16, pp. 312-323, 1971. C3, D10, D15. *
- 1971 t Maki, E. R., and Dehart, A. O., "A New Look at Swash-Plate Drive Mechanism," SAE Paper No. 710829, 1971. B8.
- 1971 u Organ, A. J., "Stirling Cycle Engine - A Possible Answer to Atmospheric Pollution," Env. Engng., pp. 9-15, Sept. 1971. C1.
- 1971 v Storage, A., "A Miniature, Vibration-Free Rhombic-Drive Stirling Cycle Cooler," Advances in Cryogenic Engng., Vol. 16, pp. 185-194, 1971. B3, B6, B8, C3. *
- 1971 w Zacharias, F., "Betrachtungen zum äusseren Verbrennungssystem des Stirling Heissgasmotors," MTZ, Vol. 31, No. 1, pp. 1-5, 1971. A1, B5, B6, B8, C1. *
- 1971 x Zimmerman, M. D., "A Piston Powerplant Fights Back -- The Stirling Engine," Machine Design, Vol. 43, No. 13, pp. 21-25, May 27, 1971. A1, B3, B5, B6, B8, C1. *
- 1971 y Ortegren, L., "Svensk Stirlingmotor I Produktion 1976," Teknisk Tidskrift, Vol. 101, No. 3, pp. 44-50, 1971. A0.
- 1971-z Ortegren, L., Henriksson, L., and Lia, T., "Stirlingmotorn och dess Potential I Militara System," Mitlilitarteknisk Tidskrift, Vol. 40, No. 2, pp. 5-19, 1971. A0.
- 1971 aa Wilding, T., "Stirling-Engine Coach at Brussels," Commercial Motor, January 22, 1971. A0.
- 1971 ab de Wilde de Ligne, J. H., "Philips 4-235 Heavy Duty Stirling Engine - A Progress Report," Intersoc. Energy Conv. Conf., Boston, August 5, 1971. A1, B3, B6, B8, C1.
- 1971 ac Scott, D., "Stirling Engine Development Continues," Automotive Industries, pp. 22-23, July 15, 1971. A6, B3, B6, B8, C1, D8. *
- 1971 ad Scott, D., "European-Roundup," Automotive Industries, p. 24, Feb. 15, 1971. C1. *
- 1971 ae Walker, G., "Stirling Cycle Machines," Presentation Note to Stirling Cycle Machine Seminar, University of Bath, December 14, 1971. (early version of 1973 j, same classification)
- 1971 af Lia, T., "Stirlingmotoren-Miljøvennlig, Energibesparende-et Alternativ Til Dagens Diesel - Og Ottomotorer," Masken, Norway, Vol. 42, pp. 23-27, November 18, 1971. A0.

- 1971-ag van Witteveen, R. A. J. O., "The Stirling Cycle Engine," Technical Report of the Conf. on Low Pollution Power Systems Develop., Eindhoven, Netherlands, February, 1971, Chapter V. A1, B3, B5, B6, B9, C1. *
- 1971 ah Ortegren, L. G., "Stirling Engine Activities at United Stirling (Sweden)," Technical Report of the Conf. on Low Pollution Power Systems Develop., Eindhoven, Netherlands, February, 1971, Chapter VII. A1, B5, B8, C1, E1. *
- 1971 ai "Developing the Stirling Engine," Automotive Design Engng., (British), pp. 57-58, October, 1971. A0.
- 1971 aj Kim, J. C., and Qvale, E. B., "Analytical and Experimental Studies of Compact Wire-Screen Heat Exchanger," Advances in Cryogenic Engng., Vol. 16, pp. 302-311, 1971. D15, E6. *
- 1971 ak Kim, J. C., Qvale, E. B., and Helmer, W. A., "Apparatus for Studies of Regenerators and Heat Exchangers for Pulse Tube, Vuilleumier, and Stirling-Type Refrigerators," 8th International Congress of Refrigeration, Paper No. 1:46, August, 1971. C3, D15. *
- 1971 al "Low Pollution Engines," Scientific American, September, 1971. C1. *
- 1971 am Sherman, A., "Mathematical Analysis of a Vuilleumier Refrigerator," ASME Paper No. 71-WA/HT-33, Nov. 28-Dec. 2, 1971. B1, D3. *
- 1971 an Rios, P. A., "An Approximate Solution to the Shuttle Heat-Transfer Losses in a Reciprocating Machine," Journal of Engineering for Power, pp. 177-182, April, 1971. D15. *
- 1971 ao Johnston, R. P., and White, M. A., "Simulation of An Artificial Heart System," MDAC Paper No. WD 1589, April, 1971. B3, B7, B9, C4, D2. *
- 1971 ap West, C., "The Fluidyne Heat Engine," AERE Report No. AERE - R 6775, 1971. C4, D2, D10, E3. *
- 1971 aq Beale, W. T., "Stirling Cycle Type Thermal Device," United States Patent 3,552,120, January 5, 1971. B3, B7, B9. *
- 1971 ar Wilkins, G., "Hot Air Engine Runs Quietly and Cleanly," Mechanix Illustrated, pp. 68-71, October, 1971. A0. *
- 1971 as Hinton, M. G., Jr., Lura, T., Roessler, W. U., and Sampson, H. T., "Exhaust Emission Characteristics of Hybrid Heat Engine/Electric Vehicles," SAE Paper 710825, October 26-29, 1971. C1.
- 1971 at Neelen, G. T. M., "Precision Castings Advance the Development of the Stirling Engine," Giesserei, Vol. 58, No. 7, pp. 166-170, April 8, 1971. D14.

- 1971 au Zacharias, D. F., "Der Stirlingmotor für Aufgaben der Meerestechnik," Sonderdruck aus der Zeitschrift Schiffstechnik heft 92, May, 1971, pp. 39-45, C1. *
- 1971 av Organ, A. J., "The Stirling Cycle Regenerative Thermal Machine as a Low-Pollution Prime Mover," Instituto Tecnológico de Aeronautica, Sao Jose dos Campos, Sao Paulo, Brasil, 1971. A0.
- 1971 aw Vacant
- 1971 ax Vacant
- 1971 ay Buck, K. E., "Artificial Heart Pumping System Powered by a Modified Stirling Cycle Engine-Compressor Having a Freely Reciprocable Displacer Piston," United States Patent 3,597,766, August, 1971. C4, B7, B9. *
- 1971 az Bazinet, G. D., Faeser, R. J., Hoffman, L. C., Mercer, S. D., and Rudnicki, M. I., "Development and Evaluation of a Modified Stirling-Cycle Engine," Aerojet Liquid Rocket Co., Semi-Annual Rept., No. PHS-71-2488, June-November, 1971. A3, B2, B7, C4.
- 1971 ba Martini, W. R., "Implanted Energy Conversion System," MDAC Annual Report, No. PH43-67-1408-4, July 8, 1970-July 7, 1971. A3, C3, D8, E3. *
- 1971 bb Meltzer, J., and Lapedes, D., "Hybrid Heat Engine/Electric Systems Study," Aerospace Corp., Final Rept., Volume 1: Sections 1 through 13, No. TOR-0059-(6769-01)-2-Vol.-1, June 1970-June 1971. D1.
- 1971 bc "Developing the Stirling Engine," Automotive Design Engineering, pp. 57-58, October 1971. C1. *
- 1971 bd "External Combustion Engines Cut Noise and Air Pollution," Design Engng. (London), pp. 66-68, April 1971. C1. *
- 1971 be Zimmerman, F. J., and Longworth, R. C., "Shuttle Heat Transfer," Advances in Cryogenic Engineering, Vol. 16, pp. 342-351, Plenum Press, 1971. D3. *
- 1971 bf Leo, B., "Vuilleumier Cycle Cryogenic Refrigeration System Technology Report," AFFDL-TR-71-85, DDC Number AD888992L, Sept., 1971. B1, C3.

- 1972 a Michels, A. P. J., "C.V.S. Test Simulation of a 128 kw Stirling Passenger Car Engine," IECEC Record No. 729133, pp. 875-886, 1972. A1, C1, E1, E2, E6. *
- 1972 b White, M. A., Martini, W. R., and Gasper, K. A., "A Stirling Engine Piezoelectric (STEPZ) Power Source," 25th Power Sources Symposium, May, 1972, or MDAC Paper WD 1897. B2, B7, E3, E5, E13. *
- 1972 c Hermans, M. L., Uhlemann, H., and Spigt, C. L., "The Combination of a Radioisotopic Heat Source and a Stirling Cycle Conversion System," Power from Radioisotopes Proc., pp. 445-466, 1972. A3, B5, B8, D1.
- 1972 d Harmison, L. T., Martini, W. R., Rudnicki, M. I., and Huffman, F. N., "Experience with Implanted Radioisotope-Fueled Artificial Hearts," Second International Symposium on Power for Radioisotopes, Paper EN/IB/10, May 29-June 1, 1972. A3, C3, E3. *
- 1972 e Mott, W. E., "The U. S. Atomic Energy Commission Nuclear-Powered Artificial Heart Programme," Second International Symposium on Power from Radioisotopes, Paper En/IB/57, May 26-June 1, 1972. A3, C3, D1. *
- 1972 f "Isotopes Development Programs Research and Development - 1971," Division of Applied Technology, USAEC, Progress Reports and Sponsored Work, No. TID-4067, February, 1972. A3, B3, B6, B8, C4.
- 1972 g Knoos, S., "Method and Device for Hot Gas Engine or Gas Refrigeration Machine," United States Patent 3, 698,182, Oct. 17, 1972. B3, B6, B8, C3. *
- 1972 h Harmison, L. T., "Totally Implantable Nuclear Heart Assist and Artificial Heart," National Heart and Lung Institute, National Institute of Health, February, 1972. A3, D1, C4.
- 1972 i Walker, G., and Wan, W. K., "Heat-Transfer and Fluid-Friction Characteristics of Dense-Mesh Wire Screen at Cryogenic Temperatures," Proc. 4th Int. Cryogenic Engng. Conf., Eindhoven, Netherlands, 1972. D15.
- 1972 j Walker, G., "Stirling Engines for Isotope Power Systems," Proc. 2nd Int. Conf. on Power from Radioisotopes, pp. 467-493, 1972. A3, B6, B7, B8, B9, D2. *
- 1972 k Andrus, S. R., Bazinet, G. D., Faeser, R. J., Hoffman, L. C., and Rudnicki, M. I., "Development and Evaluation of a Modified Stirling-Cycle Heart Engine," Aerojet Liquid Rocket Co., Semi-Annual Rept. No. PHS-71-2488, December 1971-May 1972. A3, B2, B7, C4.
- 1972 l Norman, J. C., Harmison, L. T., and Huffman, F. N., "Nuclear-Fueled Circulatory Support Systems," Arch. Surg., Vol. 105. Oct. 1972. A3, E3. *

- 1972 m Martini, W. R., "Developments in Stirling Engines," ASME Paper No. 72-WA/Iner-9, or MDAC Paper WD 1833, November, 1972. A3, B3, B6, B7, B8, B9, C1, C4, C7, F3, F5, F6. *
- 1972 n Meijer, R. J., "Möglichkeiten des Stirling-Fahrzeugmotors in unserer künftigen Gesellschaft," Schweizerische Technische Zeitung, STZ 69(1972): 31/32, pp. 649-660.
- 1972 o Moon, J. F., "European Progress With Stirling Engines," Diesel and Gas Turbine Progress, pp. 14-17, December, 1972. C1. *
- 1972 p Viklund, G. D., "Ny Svensk Stirlingmotor Premiätkörd i Malmb," Ny Teknik, Vol. 5, No. 1, 1972. A0. *
- 1972 q Gasparovic, N., "Engines with Rhombic Drive Mechanism," Marine Eng. Review, Vol. 77, pp. 25-27, 1972. B6, B8. *
- 1972 r Davis, S. R., Henein, N. A., Singh, T., "Emission Characteristics of the Stirling Engines," IECEC Record, Paper No. 729134, pp. 887-895, 1972. A1, F7. *
- 1972 s Ludvigsen, K., "The Stirling: Ford's Engine for the Eighties?" Motor, Week Ending September 9, 1972. A0.
- 1972 t Morgan, N. E., "Analysis and Preliminary Design of Airborne Air Liquefiers," Air Force Flight Dynamics Laboratory, Report No. AFFDL-TR-71-171- February, 1972. B1, C3, C3, D1. *
- 1972 u Finkelstein, T., "Computer Analysis of Stirling Engines," G-2, pp. 269-282, 1972. D4. *
- 1972 v Bjerklie, J. W., "Comparison of CO₂ Cycles for Automotive Power Plants," IECEC Record, Paper No. 729135, pp. 896-904, 1972. C1, D18. *
- 1972 w Ward, E. J., Spriggs, J. O., and Varney, F. M., "New Prime Movers for Ground Transportation - Low Pollution, Low Fuel Consumption," IECEC Record, Paper No. 729148, pp. 1013-1021, 1972. C1, F2, F6. *
- 1972 x Beale, W. T., "Stirling Cycle-Type Thermal Device Servo Pump," United States Patent 3,645,649, Feb. 29, 1972. B3, B7, B9, C4. *
- 1972 y "Free Piston Engine Driven Gas Fired Air Conditioner," Ohio University, 1972. -C3, B7, B9. *
- 1972 z Riha, F. J., "Development of Long-Life, High-Capacity Vuilleumier Refrigeration System for Space Applications," "Part III - Refrigerator Design and Thermal Analyses," AFFDL Interim Rept., August 1971-March 1972. B1, C3.

- 1972 aa "Ford Buys License for Old Stirling Engine, Eventual Use Is Possible to Fight Pollution," Wall Street Journal, 1972. C1. *
- 1972 ab "Ford Signs Licensing Pact to Develop Stirling Engine," AMM/MN, August 14, 1972. C1. *
- 1972 ac "Ford Will Develop 'Hot Air' Engines With Dutch Partner," L. A. Times, August 9, 1972. C1. *
- 1972 ad Beale, W. T., Rauch, J. S., and Lewis, R.S., "Free-Piston Stirling Engine Driven Inertia Compressor for Gas Fired Air Conditioning," Conf. on Nat. Gas Res. and Technol., 2nd Proc., Session III, Paper 5, June 5-7, 1972. B9.
- 1972 ae Kneuer, R., Persen, K., Stephan, A., Gass, J., Villard, J. C., Marinet, D., Solente, P., Wulff, H. W. L., Claudet G., Verdier, J., Mihnheer, A., Danilov, I. B., Kovatchev, V. T., Parulekar, B. B., and Narayankhedkar, K. G., "Inter. Cryogenic Engineering Conference," 4th Proc., May 24-26, 1972. C3.
- 1972 af Crouthamel, M. S., and Shelpuk, B., "A Combustion-Heated, Thermally Actuated Vuilleumier Refrigerator," Cryogenic Engng. Conf., pp. 339-351, August 9-11, 1972. A1, B1, B8, C3, D2, D9, E3. *
- 1972 ag Schirmer, R. M., LaPointe, C. W., Schultz, W. L., Sawyer, R. F., Norster, E. R., Lefebvre, A. H., Grobman, J. S., Breen, B. P., Bahr, D. W., Wade, W. R., and Cornelius, W., "Emissions from Continuous Combustion Systems," Proc., Symp., Plenum Press, 1972. E7.
- 1972 ah Asselman, G. A. A., Mulder, J., and Meijer, R. J., "A High Performance Radiator," IECEC Record 729132, p. 865-874, 1972. D17, E11. *
- 1972 ai Gipps, G. de V., "Machine for Many Purposes," Australias Eng. 5 pages between page 8 and 13, March, 1972. A0.
- 1972 aj Estes, E. M., "Alternative Power Plants for Automotive Purposes," Inst. Mech. Engng., (London), Proc. Vol. 186, Pap. 11/72 for meeting March 13, 1972. A0, C1.
- 1972 ak Martini, W. R., Riggle, P., Harmison, L. T., "Radioisotope-Fueled Stirling Engine Artificial Heart System," Nucl. Technol., Vol. 13, No. 2, pp. 194-208, Feb., 1972. A3, A6, B2, C4. *
- 1972 al Buck, K. E., "Modified Stirling Cycle Engine-Compressor Having a Freely Reciprocable Displacer Piston," United States Patent 3,678,686, July 25, 1972. B2. *
- 1972 am "Final Engineering Report on the Design and Development of Two Miniature Cryogenic Refrigerators," Texas Instruments Inc., Rept. No. DAAK02-73-C-0495, June 1972. C3.

- 1972 an Johnston, R. P., "Implanted Energy Conversion System," MDAC Annual Report, No. PH43-67-1408-5, July 8, 1971-July 7, 1972. A3, A6, B6, C3, D8, E3. *
- 1972 ao "Transit Bus Propulsion Systems State-Of-The-Art," Booz-Allen Applied Research, Inc., Final Rept., DOT-UT-10008, UMTA-IT-06-0026, August 10, 1972. D1.
- 1972 ap Welsh, H. W., Harp, J. L., Yano, R. A., Oatway, T. P., and Riley, C. T., "Study of Low Emission Vehicle Power Plants Using Gaseous Working Fluids," Thermo Mech. Systems Co., Rept. SR-20, EPA-71-003, August 1972.
- 1972 aq Vacant
- 1972 ar Fryer, B. C., "Design, Construction, and Testing of a New Valved, Hot-Gas Engine." D.Sc. Thesis, M.I.T., October, 1972. B5, B8, E3. *
- 1973 a Alm, C. B. S., Carlqvist, S. G., Kuhlmann, P. F., Silverqvist, K. H., and Zacharias, F. A., "Environmental Characteristics of Stirling Engines and their Present State of Development in Germany and Sweden," 10th Inter. Cong. on Combustion Engines, Paper No. 28, April 5-9, 1973. E2. *
- 1973 b Beale, W., Holmes, W., Lewis, S., and Cheng, E., "Free-Piston Stirling Engines -- A Progress Report," Soc. of Auto. Engrs., Paper No. 730647, June, 1973. B3, B7, B9, C4, C7, D6, D7, D8, D9, D10, E12, E3. *
- 1973 c van Beukering H. C. J., and Fokker, H., "Where Philips Stands on the Stirling Engine - I," Automotive Engng, Vol. 81, No. 7, pp. 37-43, July, 1973. A1, A3, A6, A7, B3, B6, B8, C1, E4, E6, E5, E3, E11, E12. *
- 1973 d van Beukering, H. D. J., and Fokker, H., "Present State-of-the-Art of the Philips Stirling Engine," Soc. of Auto. Engrs., Paper No. 730646, June, 1973. A1, A3, A7, A6, B3, B6, B8, C1, D2, E3, E5, E7, E6, F11.*
- 1973 e Lia, T., "The Stirling Engine," Combustion Engine Progress, pp. 44-47, 1973. A0.
- 1973 f Ludvigsen, K., "Stirling Engine," Road and Track, Vol. 24, No. 7, pp. 83, 1973. A0.

- 1973 g Norbye, J. B., and Dunne, J., "Ford's Gamble -- Stirling-Cycle Engine Promises Low Emissions Without Add-Ons," Popular Science, pp. 72-75, & 154, Feb. 1973. C1. *
- 1973 h Postma, N. P., van Gijssel, R., and Reinink, F., "The Stirling Engine for Passenger Car Application," Soc. of Auto. Engrs., Paper No. 730648, June, 1973. A1, B3, B6, B8, C1, E3, E6. *
- 1973 i Walker, G., "Stirling Engines," von Karman Institute for Fluid Dynamics, Lecture Series 53, Brussels, 1973. (similar to 1973 j)
- 1973 j Walker, G., "Stirling Cycle Machines," Clarendon Press, Oxford, 156 pgs., 1973. D1, D2, D15. *
- 1973 k Ludvigsen, K., "Stirling Engine - History and Current Development of Another Possible Alternative to the Internal Combustion Engine," Road & Track, pp. 83-91, March, 1973. C1. *
- 1973 l Kim, J. C., "An Analytical and Experimental Study of Flow Friction Characteristics for Periodically Reversing Flow," ASME Paper, No. 73-WA/FE-13, pp. 1-8, 1973. D4, D15, E9. *
- 1973 m Walker, G., "Optimum Design Configuration for Stirling Engines with Two-Phase Two-Component Working Fluids," ASME Paper No. 7-WA/DGP-1, 1973. D2, D18. *
- 1973 n Walker, G., "The Stirling Engine," Scientific American, Vol. 229, No. 2, pp. 80-87, August, 1973. C1. *
- 1973 o "Ford is Readying Stirling Engine for Torino-II," Automotive Engineering, Vol. 81, No. 8, pp. 42-45, August, 1973. A1, C3. *
- 1973 p Benson, G. M., "Thermal Oscillators," IECEC Record No. 739076, pp. 182-189, 1973. B3, B7, B9, C3, C7, D2, D9. *
- 1973 q White, M. A., "Proof-Of-Principle Investigation of 300 W(E) Stirling Engine Piezoelectric (Stepz) Generator," MDAC Final Report, No. MDC G4420, September, 1973. C7, D3, D7, D8, D9, E5, E3. *
- 1973 r Moise, J. C., Rudnicki, M. I., and Faeser, R. J., "Development of a Thermocompressor Power System for Implantable Artificial Heart Application," IECEC Record No. 739152, pp. 511-535, 1973. B2, C4, E3. *
- 1973 s— Lia, T. A., and Lagerqvist, R. S. G., "Stirling Engine with Unconventional Heating System," IECEC Record No. 739073, pp. 165-173, 1973. D14, D16. *
- 1973 t Beale, W., Rauch, J., and Lewis, S., "Design Details and Performance Characteristics of Some Free-Piston Stirling Engines," IECEC Record No. 739077, pp. 190-193, 1973. B7, B9, E5. *

- 1973.u Agbi, B., "Theoretical and Experimental Performance of the Beale Free Piston Stirling Engine," IECEC Record No. 739034, pp. 583-587, 1973. B7, B9, D2. *
- 1973.v Walker, G., "Stirling Engine Power Supplies for Remote Unattended Sites," IECEC Record No. 739037, pp. 594-600, 1973. C7, D1. *
- 1973.w Feigenbutz, L. V., Griffith, W. R., Hinderman, J. D., Martini, W. R., and Perrone, R. E., "A Stirling Engine Approach to an Implantable Nuclear Heart-Assist System," IECEC Record No. 739137, pp. 441-448, 1973. C4, D9, E3. *
- 1973.x Jaspers, H. A., and Du Pre, F. K., "Stirling Engine Design Studies of an Underwater Power System and a Total Energy System," IECEC Record No. 739035, pp. 588-593, 1973. A7, C6. *
- 1973.y Zacharias, F. A., "Unique Requirements for the Cooperation of Computation and Design in the Development of Stirling Engines," von Karman Inst. for Fluid Dynamics, Lecture Series 53, Feb. 12-16, 1973. A1, B5, C1, D9, D14. *
- 1973.z Umarov, G. Ya., Tursunbaev, I. A., Lashkareva, T. P., and Trukhov, V. S., "Influence of Regenerator Efficiency on the Thermal Efficiency of a Stirling Engine Dynamic Energy Converter," Gelictekhnika, Vol. 9, No. 3, pp. 58-61, 1973. D3. *
- 1973.aa Medvedev, E. M., Murinets-Markevich, B. N., and Nosov, M. E., "Microrefrigerator with Opposed Compressor and Expander," Khim. and Neft. Mashinostr. (USSR), Vol. 9, No. 7, July, 1973. C3.
- 1973.ab Hapke, H., "The Influence of Flow Pattern and Heat-Transfer in the Heat-Exchanger Unit of Stirling Machines on the Thermodynamic Cycle," Brennst.-Waerme-Kraft, (Germany), Vol. 25, No. 10, pp. 389, 392, 393 & 394, October, 1973. D14, D16. *
- 1973.ac Organ, A. J., "Stirling Engine Beats Pollution's Threat," Design Engineer, Vol. 43, No. 6, May, 1973. C1. *
- 1973.ad Kuhlmann, P., "Das Kennfeld Des Stirling Motors," Motortech Z, Vol. 34, No. 5, pp. 135-139, May, 1973. D2. *
- 1973.ae Daniels, A., "Stirling Engines -- Capabilities and Prospects," Cryog. Symp. and Expo - 6th Proc., Paper 13, pp. 190-210, Oct. 2-4, 1973. C3.
- 1973.af Ayres, R. V., "Alternative Means of Controlling Air Pollution from Vehicular Engines," Inova. 73, World Innov. Week Conf., Pap. 10, pp. 148-159, June 1973. C1.

- 1973 ah Walker, G., and Agbi, Babatunde, "Thermodynamic Aspects of Stirling Engines with Two-Phase, Two-Component Working Fluids," *Trans. Can. Soc. Mech. Eng.*, Vol. 7, No. 1, pp. 1-3, 1973-1974. D18.
- 1973 ah Serruys, M., "Concerning Ericsson's and Stirling's Cycles," *Rev. Gen. Therm.*, Vol. 12, No. 143, pp. 1129-1134, Nov. 1973. D7.
- 1973 ai Ross, M. A., "Speed Control Apparatus for Hot Gas Engine," *United States Patent 3,734,706*, April 3, 1973. D8.
- 1973 aj Asselman, G. A. A., and Green, D. B., "Heat Pipes," II. Applications, *Philips Tech. Rev.*, Vol. 33, No. 5, pp. 138-148, 1973. A1, D14.
- 1973 ak Brogan, J. J., "Alternative Powerplants," *SAE Spec. Publ. No. SP-383*, Paper No. 730519, pp. 31-36, July 1973. D1.
- 1973 al Baumgardner, A. R., Johnston, R. P., Martini, W. R., and White, M. A., "Stirling Cycle Machine with Self-Oscillating Regenerator," *United States Patent 3,766,567*, Reissued Jan. 23, 1973. B3, B7, B8, C4.
- 1973 am Lavigne, F., "Driving Device of the Stirling-Cycle Relaxation Type for an Implantable Artificial Heart," *United States Patent 3,766,568*, October, 23, 1973. A3, C4.
- 1973 an Johnston, R. P., "Implanted Energy Conversion System," *MDAC Annual Report*, No. PH 43-67-1408-6, July 8, 1972-July 6, 1973. A3, A6, C3, D8, D3.
- 1973 ao Davis, S. R., and Henein, N. A., "Controlling Emissions with the Stirling Engine," *Automot. Eng.*, Vol. 81, No. 4, pp. 32-35, April, 1973. A1, E3.
- 1973 ap Daniels, A., and Du Pro, F. K., "Miniature Refrigerators for Electronic Devices," *Cryogenics*, Vol. 13, No. 3, pp. 134-140, March, 1973. C3.
- 1973 aq Guilfooy, R. F., Jr., "Refrigeration Systems for Transporting Frozen Foods," *ASHRAE Jour.*, Vol. 15, No. 5, pp. 58-60, May, 1973. C3.
- 1973 ar Davis, S. R., and Henein, N. A., "Comparative Analysis of Stirling and Other Combustion Engines," *SAE Spec. Publ. SP-379*, Paper 730620, pp. 36-47, March, 1973. D1.
- 1973 as Horn, S. R., "Pneumatic Stirling Cycle Cooler with Non-Contaminating Compressor," *United States Patent 3,766,187*, October, 1973. B3, B7.

- 1973 at Andrus, S., Faeser, R. J., Moise, J., Hoffman, L. O., and Rudnicki, M. I., "Development and Evaluation of a Stirling Cycle Energy Conversion System," Aerojet Liquid Rocket Co., Rept. PHS-73-2930, July, 1973. A3, B2, B7, C3.
- 1973 au Arkharov, A. M., Bondarenko, L. S., and Kuznetson, B. G., "The Calculation of (Piston) Gas Refrigerating Machines and Heat Engines," Foreign Tech. Div., Wright-Patterson AFB, No. FTD-HT-23-0360-73, June 5, 1973. C2, C3, D2.
- 1973 av Sergeev, P. V., and Shmerezon, Ya. F., "Synthesis of Mechanisms of Rhombic Drives for Machines Operating on the Stirling Cycle," Foreign Tech. Div., Wright-Patterson AFB, No. FTD-HT-23-533-73, May 24, 1973. D2.
- 1973 aw Feurer, B., "Degrees of Freedom in the Layout of Stirling Engines," von Karman Inst. for Fluid Dynamics, Lecture Series 53, Feb. 12-16, 1973. D3. *
- 1973 ax "Evaluation of Practicability of a Radioisotope Thermal Converter for an Artificial Heart Device," Westinghouse Electric Corp., Phase I and II Final Reports, 1973. A3, C3, C4, D11, D15, E3, E4. *
- 1973 ay Fryer, B. C., and Smith, J. L., Jr., "Design, Construction, and Testing of a New Valved, Hot-Gas Engine," IECEC Record 739074, pp. 174-181, 1973. B5, B8, D11, E3. *
- 1974 a "A Stirling Performance," Time, p. 61, Sept. 1974. C1. *
- 1974 b Daniels, A., "The Stirling Engine as a Total Energy System Prime Mover," Philips Laboratories, 1974. E3. *
- 1974 c Meijer, R. J., and Spigt, C. L., "The Potential of the Philips Stirling Engine for Pollution Reduction and Energy Conservation," Symposium on Low Pollution Power Sys. Devel., pp. 1-12, Nov. 4-8, 1974. D8, D9, E3. *
- 1974 d Waalwijk, J. M., and Wiedenhof, N., "The Ford-Philips Stirling Engine Programme," Philips Information No. 6519E, October, 1974. C1. *
- 1974 e Scott, D., "New Stirling-Cycle Zero-Pollution Car Runs on Stored Heat," Popular Science, pp. 66-68, 148, June, 1974. A6, C1. *
- 1974 f Cooke-Yarborough, E. H., "A New Thermo-Mechanical Generator from Harwell," Scientific and Technical News Service, December, 1974. C7, B7, B9. *

- 1974 g Cooke-Yarborough, E. H., "Thermo-Mechanical Generator: An Efficient Means of Converting Heat to Electricity at Low Power Levels," Proc. IEE, Vol. 121, No. 7, pp. 749-751, July, 1974. C7, B7, B9, E3. *
- 1974 h Cooke-Yarborough, E. H., "Fatigue Characteristics of the Flexing Members of the Harwell Thermo-Mechanical Generator," Harwell, AERE-R7693, March, 1974. D11. *
- 1974 i Cooke-Yarborough, E. H., "Simplified Expressions for the Power Output of a Lossless Stirling Engine," Harwell, AERE-M2437, March, 1974. D2. *
- 1974 j Cooke-Yarborough, E. H., Franklin, E., Geisow, J., Howlett, R., and West, C. D., "The Harwell Thermo-Mechanical Generator," Harwell, AERE-R7714, March, 1974. B7, B9, C7. *
- 1974 k Cooke-Yarborough, E. H., Franklin, E., Geisow, J., Howlett, R., and West, C. D., "A New Electrical Power Source for Long-Term Unattended Operation," Harwell, AERE-R7753, May, 1974. C7. *
- 1974 l Harkless, L. B., "Demonstration of Advanced Cryogenic Cooler - Infrared Detector Assembly," Air Force Flight Dynamics Lab., AFFDL-TR-74-15, March, 1974. B1, C3, D1, E4, E8, E9, E10. *
- 1974 m Raetz, K., "Development and Application of a Stirling Heat Pump for Heating," Braunschweig, PTB-FMRB-57, September, 1974. B2, B6, B8, D5, D15. *
- 1974 n Martini, W. R., Emigh, S. G., White, M. A., Griffith, W. R., Hinderman, J. D., Johnston, R. P., and Perrone, R. E., "Unconventional Stirling Engines for the Artificial Heart Application," MDAC Paper No. WD 2337, August, 1974 or IECEC Record 749117, pp. 791-798. C4, E3. *
- 1974 o Martini, W. R., De Steese, J. G., and White, M. A., "How Unconventional Stirling Engines Can Help Conserve Energy," MDAC Paper No. WD 2336, August, 1974 or IECEC Record 749151, pp. 1092-1099, 1974. B7, B9, C3, C4. *
- 1974 p Martini, W. R., "Development and Evaluation of a Modified Stirling-Cycle Engine," MDAC Quarterly Report, No MDC G4438, April, 1974. B7, B9, C4, E3. *
- 1974 q Elrod, H. G., "The Fluidyne Heat Engine: How to Build One -- How it Works," National Tech. Info. Serv., No. AD/A-006 367, December, 1974. B7, B9, C4, D1. *
- 1974 r Noble, J. E., Riggle, P., Emigh, S. G., and Martini, W. R., "Heat Engine," United States Patent 3,855,795, December, 1974. B3, B7, B8, C4. *

- 1974 s —Morash, R. T., and Marshall, O. W., "The Roesel Closed Cycle Heat Engine," IECEC Record, No. 749154, pp. 1117-1124, 1974. D14, D16. *
- 1974 t Fisher, D., "Gas Turbine, Stirling Engine Favored," L.A. Times, 1974. C1. *
- 1974 u Uhlemann, H., Spigt, C. L., and Hermans, M. L., "The Combination of a Stirling Engine with a Remotely Placed Heat Source," IECEC Record, No. 749051, pp. 620-627, 1974. A4, A7, D14. *
- 1974 v Frank, G., Keller, H., Plitz, W., Richter, G., Schmid, P., and v. Roth, R. D., "An Implantable Thermal Converter as Power Source for an Artificial Heart," IECEC Record, No. 749115, pp. 775-781, 1974. C4, D9. *
- 1974 w Pouchot, W. D., and Daniels, A., "Nuclear Artificial Heart Bench Model," IECEC Record, No. 749116, pp. 782-790, 1974. C4, E3. *
- 1974 x Moise, J. C., Faeser, R. J., and Rudnicki, M. I., "Status of a Thermocompressor-Powered Implantable Artificial Heart System," IECEC Record, No. 749118, pp. 799-804, 1974. B2, C4. *
- 1974 y Shelpuk, B., "A Solar Vuilleumier System," Workshop Proc. Solar Cooling for Buildings, NSF-RA-N-74-063, Feb. 1974; B1, C3. *
- 1974 z Hakansson, S. A. S., "Heat Exchangers for Stirling Cycle Engines," United States Patent 3,834,455, Sept. 10, 1974. D14. *
- 1974 aa Stang, J. H., and Bush, J. E., "The Periodic Method for Testing Compact Heat Exchanger Surfaces," Journal of Engineering for Power, pp. 87-94, April 1974. D14, D15, D16. *
- 1974 ab Andersen, N. E., and Qvale, B., "Model for Instationar Strømming I Varmevexler for Stirlingmotor," Laboratoriet for Energiteknik, June 1974. D4. *
- 1974 ac "New Thermo-Mechanical Generator from Harwell," Heat and Air Cond. Jour., Vol. 43, No. 515, October, 1974. B3, B7, B9, C7.
- 1974 ad—Cooke-Yarborough, E., Franklin, E., Geisow, J., Howlett, R., and West, C., "The Thermo-Mechanical Generator," Proceedings of the Ninth Inter. Symposium, Brighton, Sussex, England, Research and Develop. in Non-Mechanical Electrical Power Sources, pp. 643-648, Sept. 17-19, 1974. B3, B7, B9, C7.
- 1974 ae Hartley, J., "Stirling Set for 1980," Automotive Design-Engng., Vol. 13, pp. 27 & 29, Sept. 1974. A1, B5, B8, E3. *
- 1974 af "Thermo-Mechanical Generator," Engineering, Vol. 214, No. 9, Sept. 1974. A7, C7. *

- 1974 ag -Hartley, J., "Ford Leads in the Race to Find a Cleaner Yet Economic Engine," Engineer, Vol. 238, No. 6165, May, 1974. C1, D6, D7. *
- 1974 ah Amann, C. A., "Why the Piston Engine Lives On," Mach. Des., Vol. 46, No. 5, Feb. 21, 1974. C1. *
- 1974 ai Boltz, C. L., "New Research Work Regarding an Old Machine," Antriebstechnik, Germany, Vol. 13, No. 3-4, March-April, 1974. A0.
- 1974 aj Lefebvre, A. H., "Pollution Control in Continuous Combustion Engines," Symp. on Combust. - 15th Int. Proc., pp. 1169-1180, Aug. 25-31, 1974. E7.
- 1974 ak -Blinov, I. G., and Minaichev, V. E., "Condensation Cryopump with Independent Cryogenerator," 6th Proc. Int. Vac. Congr., pp. 101-104, March 25-29, 1974. C3.
- 1974 al Rochelle, P., and Andrejewski, J., "Optimizing Maximum Efficiency Cycles," Rev. Inst. Fr. Pet. Ann. Combust. Liq., Vol. 29, No. 5, pp. 731-749, Sept.-Oct. 1974. D2.
- 1974 am Minaichev, V. E., and Zykov, V. M., "Cryocondensation Booster Pump," Instrum. Exp. Tech., Vol. 17, No. 3, Part 2, pp. 795-798, May-June, 1974. C3.
- 1974 an Brogan, J. J., "Developments in Power Systems for Transportation," ASME Annual Symp., 14th Proc., pp. 45-57, Feb. 28-Mar. 1, 1974. C1.
- 1974 ao Walker, G., "Stirling Cycle Cooling Engine with Two-Phase, Two-Component Working Fluid," Cryogenics, Vol. 14, No. 8, pp. 459-462, August, 1974. C3, D2, D18. *
- 1974 ap Penn, A. W., "Small Electrical Power Sources," Phys. Technol., Vol. 5, No. 2, pp. 115-140, 1974. D1.
- 1974 aq Newhall, H. K., "Low Emissions Combustion Engines for Motor Vehicles," Am. Chem. Soc., Div. Fuel Chem., Prepr., Vol. 19, No. 1, pp. 15-37, 1974. C1.
- 1974 ar Richardson, R. W., "Automotive Engines for the 1980's," Am. Chem. Soc., Div. Fuel Chem., Prepr., Vol. 19, No. 1, pp. 40-45, 1974. C1.
- 1974 as Longworth, R. C., "Split Stirling Cycle Cryogenic Refrigerator," Air Products and Chemicals Inc., Final Tech. Rept., No. DAAK02-72-C-0316, 1973-1974. C3.

- 1974 at Lapedes, D. L., Hinton, M. G., and Meltzer, J., "Current Status of Alternative Automotive Power Systems and Fuels.— Volume 11 — Alternative Automotive Engines," Aerospace Corp., No. 68-01-0417, July, 1974. D1.
- 1974 au Andrus, S., Laeser, R. J., Moise, J., Hoffman, L. C., and Rudnicki, M. E., "Development and Evaluation of a Stirling Cycle Energy Conversion System," Aerojet Liquid Rocket Co., No. PHS-73-2930, May, 1973-July, 1974. A3, B5, B7, C4.
- 1974 av Johnston, R. P., Griffith, W. R., Perrone, R. I., Martini, W. R., and Emigh, S. G., "Implanted Energy Conversion System," MDAC Annual Report, No. No1-IV-4-2901-1, July 8, 1973-July 22, 1974. A3, A6, C3, D6, D8, D17, F3. *
- 1974 aw Noble, J. E., and Johnston, R. P., "Energy Converter to Power Circulatory Support Systems." United States Patent 3,788,772, Jan. 29, 1974. B2, C4. *
- 1974 ax "Nuclear-Powered Artificial Heart Prototype System Development Program. Phase IIIa - Conceptual Design Intermediate System," Westinghouse Electric Corp., No. AT(11-1)-3043, February 1, 1974. A3, B3, B6.
- 1974 ay "Nuclear-Powered Artificial Heart Prototype System Development Program. Phase III." Westinghouse Electric Corp., Quarterly Repts., October-December, 1973; January-March, 1974; April-June, 1974; No. AT(11-1)
- 1974 az Smith, L. M., Sandquist, G. M., "Biomedical Engineering Support," Utah University, Third Quarterly Rept., No. AT(11-1)-2155, Feb. 16-May 15, 1974. A3, B3, B6, B8, C4.
- 1974 ba Hagen, K. G., Ruggles, A. E., and Huffman, F. N., "Thermal Design of a Tidal Regenerator Engine for Circulatory Support Systems," ASME Paper No. 74-HT-2, AIAA Paper No. 74-657, July, 1974. A3, C4, F3. *
- 1974 bb Umarov, G. Ia., Trukhov, V. S., and Tursenbaev, I. A., "Prospects for Using Dynamic Thermocompression Converter in Solar Power Plants," Applied Solar Energy, Vol. 10, No. 1-2, pp. 53-56, (translation), 1974. A4, B2, C2, D2. *
- 1974 bc Percival, W. H., "Historical Review of Stirling Engine Development in the United States from 1960 to 1970," FRDA, No. NASA CR-171097, July, 1974. A1, B3, B6, B8, C1, D6, D13, D15, F3, F9. *
- 1974 bd Souff, J. R., "A 10-inch Stirling Engine Powered Fan," Live Steam Magazine, pp. 10 - 12, Part I, December, 1974. A1, B4, B6, B8, C5. *
- 1974 be see 0000c

- 1975 a Doody, R. D., "Long Life, High Capacity Vuilleumier Refrigerator for Space Applications," Air Force Flight Dynamics Laboratory, No. AFFDL-TR-75-108, September, 1975. B1, D1, E3, E4. *
- 1975 b Pitcher, G. K., "Spacecraft Vuilleumier Cryogenic Refrigerator Development," Air Force Flight Dynamics Laboratory, No. AFFDL-TR-75-114, September, 1975. C3, B1, D6, D9, E3. *
- 1975 c "Stirling Pump for India," Atom, N .-227, September, 1975. C4. *
- 1975 d Zarinchang, J., "Some Considerations on Design of Stirling Engine," IECEC Record, No. 759142, p. 948, 1975. D3, D15. *
- 1975 e Wurm, J., "Assessment of Selected Engine-Driven Heat Pumps," Solar Energy Heat Pump Systems for Heating and Cooling Buildings, No. 7506130, June, 1975. C3, D1. *
- 1975 f Biermann, U. K. P., "The Lithium/Sulphurhexafluoride Heat Source in Combination with a Stirling Engine as an Environmental Independent Underwater Propulsion System," IECEC Record, No. 759153, pp. 1023-1030, 1975. A7, D14, D7. *
- 1975 g von Reth, R. D., Haerten, R., Nemsmann, U., Henning, E., and Bucherl, E. S., "Development of Power Sources for Blood Pump Applications," IECEC Record, No. 759180, pp. 1214-1222, 1975. C4. *
- 1975 h van der Sluys, W. L. N., "A Lithium/Sodium/Sulphurhexafluoride Heat Source in Combination with a Stirling Engine as a Propulsion System for Small Submersibles," IECEC Record, No. 759154, pp. 1031-1037, 1975. A7. *
- 1975 i Organ, A. J., "The Concept of 'Critical Length Ratio' in Heat Exchangers for Stirling Cycle Machines," IECEC Record, No. 759151, pp. 1012-1019, 1975. D14, D15, D16. *
- 1975 j Gabrielsson, R. G., and Lia, T. A., "New Emission Combustors for Stirling Engines," IECEC Record, No. 759139, pp. 927-932, 1975. A1, D14. *
- 1975 k Dunn, P. D., Rice, G., and Thring, R. H., "Hydraulic and Rotary Drive Stirling Engines with Fluidised Bed Combustion/Heat Pipe System," IECEC Record, No. 759141, pp. 942-947, 1975. D14. *
- 1975 l Cooke-Yarborough, E. H., and Yeats, F. W., "Efficient Thermo-Mechanical Generation of Electricity from the Heat of Radioisotopes," IECEC Record, No. 759150, pp. 1003-1011, 1975. A3, C7. *
- 1975 m Spigt, C. L., and Daniels, A., "The Phillips Stirling Engine: A Progress Report," IECEC Record, No. 759138, pp. 919-926, 1975. C1. *

- 1975 n Beale, W. T., and Rankin, C. F., "A 100 Watt Stirling Electric Generator for Solar or Solid Fuel Heat Sources," IECEC Record, No. 759152, pp. 1020-1022, 1975. A4, A5, B3, B7, B9, C7. *
- 1975 o Rauch, J. S., "Steady State Analysis of Free-Piston Stirling Engine Dynamics," IECEC Record, No. 759144, pp. 961-965, 1975. B7, B9, D2. *
- 1975 p Moise, J. C., Rudnicki, M. I., and Faeser, R. J., "Thermocompressor Powered Artificial Heart Assist System," IECEC Record, No. 759183, pp. 1242-1245, 1975. B2, A3, E3. *
- 1975 q Martini, W. R., "An Efficient Stirling Heat Engine-Heat Pump," Solar Energy Heat Pump Systems for Heating and Cooling Buildings, No. 7506130, June, 1975. A4, C3, B7, B9. *
- 1975 r Johnston, R. P., Noble, J. E., Emigh, S. G., White, M. A., Griffith, W. R., and Perrone, R. E., "A Stirling Engine with Hydraulic Power Output for Powering Artificial Hearts," IECEC Record, No. 759212, pp. 1448-1455, 1975. A3, C4, B7, B9. *
- 1975 s Beale, W. T., "A Stirling-Hydrostatic Drive for Small Vehicles," IECEC Record, No. 759143, pp. 958-960, 1975. B7, B9, C1. *
- 1975 t Stephenson, R. R., "Should We Have A New Engine?" Jet Propulsion Lab., An Automobile Power Systems Evaluation, Volume II: Tech. Rpts., October, 1975 or SAE Spec. Publ. SP399, SP400, Vol. I & II, Aug. 1975. B3, B8, C1, D1, D11. *
- 1975 u "Alternate Engines," Los Angeles Times, Sept. 4, 1975. C1. *
- 1975 v Schuman, M., "Energy Converter Utilizing a Modified Stirling Cycle," April, 1975. B7, B2. *
- 1975 w Urieli, I., and Rallis, C. J., "Stirling Cycle Engine Development - A Review," No. 61, July, 1975. D2. *
- 1975 x Lindsley, E. F., "Air-Conditioning Cold from any Source of Heat," Popular Science, 1975. B3, B7, B9, C3. *
- 1975 y Cooke-Yarborough, E. H., and Yeats, F. W., "Efficient Thermo-Mechanical Generation of Electricity from the Heat of Radioisotopes," Harwell, No. AERE-R 8036, May, 1975. A3, C7. *
- 1975 z Scott, D., "Flame-Powered Push-Pull Generator Runs a Year Without Maintenance, Refueling," Popular Science, Feb. 1975. A1, B7, B9, C7. *
- 1975 aa "British Device Runs TV on Propane Gas," New York Times, June 12, 1975. C7. *

- 1975 ab Pouchot, W. D., Bifano, N. J., and Hanson, J. P., "Artificial Heart System Thermal Converter and Blood Pump Component Research and Development," IECEC Record, No. 759181, pp. 1223-1231, 1975. A3, B6, B8, C4. *
- 1975 ac Crouthamel, M. S., and Shelpuk, B., "Regenerative Gas Cycle Air Conditioning Using Solar Energy," Advanced Technology Laboratories, No. ATL-CR-75-10, August, 1975. A4, B1, C3, D3, D14, D15, D16. *
- 1975 ad Scott, D., "Stirling-Cycle Liquid-Piston Engine with no Moving Parts," Popular Science, January, 1975. B7, B9, C4. *
- 1975 ae Kettler, J. R., "The Thermal Vehicle - A Pollution Free Concept," IECEC Record, No. 759084, pp. 548-553, 1975. A6, C1. *
- 1975 af Summers, J. L., "Hot Gas Machine," United States Patent 3,879,945, April 29, 1975. B3, B5, B6, B8, C3. *
- 1975 ag Martini, W. R., "The Free-Displacer, Free-Piston Stirling Engine -- Potential Energy Conserver," IECEC Record, No. 759149, pp. 995-1002, 1975. D3. *
- 1975 ah Higa, W. H., "Stirling Cycle Engine and Refrigeration Systems," Patent Application, May, 1975. C3. *
- 1975 ai Hagen, K. G., Ruggles, A. E., Fam, S. S., and Torti, V. A., "Annular Tidal Regenerator Engine for Nuclear Circulatory Support Systems," IECEC Record, No. 759182, pp. 1232-1241, 1975. A3, B4, B6, B9, C4, D2, E3. *
- 1975 aj Grigorenko, N. M., Savchenko, V. I., and Prusman, Yu. O., "Results of Test of a Heat-Using Cryogenic Machine," Khim. and Neft. Mashinostr. U.S.S.R., Vol. 11, No. 9, September, 1975. C3, E3.
- 1975 ak Lyapin, V. I., Prusman, Yu. O., and Bakhnev, V. G., "Effect of Efficiency of the End Heat Exchanger on the Start-Up Period of a Helium Cooler," Khim. and Neft. Mashinostr. U.S.S.R., Vol. 11, No. 9, September, 1975. C3, E7.
- 1975 al Finkelstein, T., "Computer Analysis of Stirling Engines," Advances in Cryogenic Engineering, Vol. 20, pp. 269-282, 1975 or IECEC Record 759140, pp. 933-941, 1975. D4. *
- 1975 am Bjerklie, J. W., Cairns, E. J., Tobias, C. W., and Wilson, D. G., "Alternative Power Sources for Low Emission Automobiles," Automotive Eng., Vol. 83, No. 10, Oct., 1975, or SAE Paper 750929.
- 1975 an Bougard, J., "Importance of Driving Mechanism in Stirling Engines," Rev. M., Belgium, Vol. 21, No. 2, June, 1975. B6, B8.

- 1975 ao Carrett, K., "Stirling Engine is a Hot Contender for Car Powerplants," Engineer, Vol. 240, No. 6208, March, 1975. A1, A2, A6, B3, B6, B8, C1, D8, D18. *
- 1975 ap Mortimer, J., "Low Cost, Long Life (Stirling) Engine May be Ideal for the Third World," Engineer, Vol. 240, No. 6208, March, 1975. B2, B5, B6, B8. *
- 1975-aq Wilson, S. S., "Possible Developments in Transportation," Aspects of Energy Convers., Proc. of a Summer School, Lincoln Coll., Oxford, Engl., July 14-25, 1975. C1.
- 1975 ar "Alternative Automotive Power Plants," Automotive Engineering, Vol. 83, No. 12, pp. 18-23, 57, Dec. 1975. C1. *
- 1975 as Grigorenko, N. M., Savchenko, V. I., and Prusman, Yu. O., "Results of Test of a Heat-Using Cryogenic Machine," Chem. Pet. Eng., Vol. 11, No. 9-10, Sept.-Oct., 1975. C3, E3.
- 1975 at Vacant
- 1975 au Andrus, S., Faeser, R. J., Moise, J., Hoffman, L. C., and Rudnicki, M. E., "Development and Evaluation of a Stirling Powered Cardiac Assist System," Aerojet Liquid Rocket Co., Annual Rept. No. N01-HV-3-2930, May, 1974-June, 1975. A3, B2, B7, C4.
- 1975 av Biryukov, V. I., and Sergeev, P. V., "Synthesis of Three-Parameter Mechanisms of the Rhombic Drive of a Stirling Engine," Izv Vyssh Uchevn Zaved Mashinostr, No. 11, pp. 70-76, 1975. B6, B8
- 1975 aw Shah, R. K., "A Correlation for Longitudinal Heat Conduction Effects in Periodic-Flow Heat Exchangers," Journal of Engineering for Power, pp. 453-454, July, 1975. D15. *
- 1975 ax Mott, W. E., "Nuclear Power for the Artificial Heart," Biomater. Med. Dev. Artif. Organs, Vol. 3, No. 2, pp. 181-191, 1975. A3, C4.
- 1975 ay Balas, C., Jr., "Design and Fabrication of a Rhombic Drive Stirling Cycle Cryogenic Refrigerator," Philips Labs, Final Rept. No. DAAK02-72-C-0224, April, 1975. B3, B6, B8, C3, E3.
- 1975 az Carlqvist, S. G., Lia, T., and Lundholm, G. S. K., "Stirling Engines: Their Potential Use in Commercial Vehicles and Their Impact on Fuel Utilization," Inst. Mech. Eng., Paper C4/75, pp. 35-46, 1975. D1. *
- 1975-ba Smith, L., Sandquist, G., Olsen, D. B., Arnett, G., Gentry, S., and Kolff, W. J., "Power Requirements for the A.E.C., Artificial Heart," Trans. Amer. Soc. Artif. Int. Organs, Vol. XXI, pp. 540-544, 1975. A3, B2, C4. *

- 1975 bb Linden, L. H., Heywood, J. B., Jacoby, H. D., and Margolis, H., "Federal Support for the Development of Alternative Automotive Power Systems: The General Issue and the Stirling, Diesel, and Electric Cases," Mass. Inst. of Tech., Final Report No. MIT-EL-76-014, November, 1975. D1.
- 1975 bc Bougard, J., "Importance of Kinematics in the Stirling Engines," Rev. M. Mec., Vol. 21, No. 2, pp. 185-190, June-July, 1975. D9. *
- 1975 bd Mullins, P. J., "Progress on the Stirling Engine," Automot. Ind., Vol. 152, No. 3, pp. 32-34, Feb. 1, 1975. A1, B5, B6, B8, C1. *
- 1975 be Johnston, R. P., Emigh, S. G., Griffith, W. R., Noble, J. E., and Perrone, R. E., "Implanted Energy Conversion System," McDonnell Douglas Astronautics Co., Annual Rept. No. MDC-G4444, July 23, 1974-May 1, 1975. A3, A6, B7, C3, D6, D9, E3. *
- 1975 bf Smith, J. L., Jr., "Development of the Valved Hot-Gas Engine," Department of Transportation, Final Report, No. DOT-TST-76-34, August, 1975. B5, B8. *
- 1975 bg Senft, J. R., "Moriya, A 10-inch Stirling Engine Powered Fan," Live Steam Magazine, pp. 28-29, January, 1975. Part II, pp. 8-10, February, 1975, Part III. A1, B4, B6, B8, C5. *
- 1976 a Ross, M. A., "Stirling Performance," The Columbus Dispatch Magazine, July-18, 1976. B3, B6, B8, C1. *
- 1976 b Ross, M. A., "A Rhombic Drive Stirling Engine," Model Engineer, pp. 760-762, 796-799, 820, August 6, 1976. B3, B6, B8, C2, E5. *
- 1976 c Polster, N. E., and Martini, W. R., "Self-Starting, Intrinsically Controlled Stirling Engine," AICHE HT & EC Division for 11th Intersociety Energy Conversion Engineering Conference, 1976. A6, B4, B6, B8, C1, D1, D6, D7, D8, E3. *
- 1976 d Flint, J., "Stirling Engine: Can An Old Failure Spell Success?" New York Times, 1976. A1, B5, B8, C1, D1. *
- 1976 e Michels, A. P. J., "The Philips Stirling Engine: A Study of its Efficiency as a Function of Operating Temperatures and Working Fluids," IFCEC Record 769, 58, pp. 1506-1510, 1976. A4, B3, B6, B8, E3. *
- 1976 f Asselman, G. A. A., "Fluidised Bed Coal Combustion as a Heat Source for Stirling Engines," IFCEC Record, 1976. A5. *

- 1976 g "Ford Shows Latest Stirling," Machine Design, June, 1976. A1, B5, B8, C1, E1. *
- 1976 h Organ, A. J., "Fluid Particle Trajectories in Stirling Cycle Machines," IECEC Record, January, 1976. D4. *
- 1976 i Urieli, I., and Rallis, C. J., "A New Regenerator Model for Stirling Cycle Machines," University of the Witwatersrand, School of Mechanical Engineering, Report No. 67, May, 1976. D4. *
- 1976 j "Stirling Isotope Power System Program," General Electric Company, Document No. GESP-7130, June-December, 1976. A3, B3, B6, B8, C7, D1. *
- 1976 k West, C. D., "Solar Power and the Stirling Engine," Solar Energy Digest, Vol. 4, March, 1976. A4, B5, B7, B9, C4. *
- 1976 l White, R., "Vuilleumier Cycle Cryogenic Refrigeration," AFFDL-TR-76-17, April, 1976. B1, C3, D3, D6. *
- 1976 m "Stirling Cycle Applied to Water Pump," Solar Energy Digest, Vol. 8, September, 1976. A4, B5, B9, C4. *
- 1976 n Senft, J. R., "The Design of Stirling Cycle Engines," Live Steam Magazine, Parts I & II, November & December, 1976. B3, B4, B6, B8. *
- 1976 o Weimer, G. A., "Stirling Engine: Solution to the U.S. Auto Dilemma?" Iron Age, November 22, 1976. A1, A4, A5, A6, B5, D1. *
- 1976 p Polster, N. E., "Hot Gas Engine," United States Patent 3,994,136, Nov. 30, 1976. A6, B4, B6, B8. *
- 1976 q Lowe, J. F., "Liquid Piston Oscillates Naturally," Design News, Vol. 32, Feb. 23, 1976. B5, B8, C4. *
- 1976 r "System 6 Performance Test Report," McDonnell Douglas Astronautics Co., Report No. MDC G4445, March, 1976. A3, B4, B7, B8, C4, E3. *
- 1976 s "Century-Old Engine Pumps Heart," New York Times, Sunday, December 5, 1976. A3, C4. *
- 1976 t Noble, J. E., Riggle, P., Emigh, S. G., and Martini, W. R., "Heat Engine," United States Patent 3,949,554, April 13, 1976. B2. *
- 1976 u Noble, J. E., Riggle, P., Emigh, S. G., and Martini, W. R., "Heat Engine," United States Patent 3,956,895, May 18, 1976. B2. *
- 1976 v "Proposal to Continue Developing and Evaluating a Modified Stirling Cycle Engine," McDonnell Douglas Astronautics Co., Vol. 3, Annual Report Draft, No. MDC G4448P, May, 1976. A3, B4, B7, B8, C4, E3. *

- 1976 w Andersen, N. E., "Optimeringsmodel for Stirlingmotor," Laboratoriet for Energiteknik, November 1976. D4. *
- 1976 x Kern, J., "On the Average Transfer Coefficient in Periodic Heat Exchange - I, II," Inst. J. Heat Mass Transfer, Vol. 19, pp. 869-892, 1976. D15. *
- 1976 y Rallis, C. J., and Urieli, I., "Optimum Compression Ratios of Stirling Cycle Machines," University of Witwatersrand, Report No. 68, ISBN-0-85494-395-1, 17 p., June 1976. D2. *
- 1976 z "A Simplified Heat Engine (With Pneumatic System)," Compressed Air, Vol. 81, No. 9, Sept., 1976. B3, B7, B8. *
- 1976 aa Janicki, E., "Which Auto Engine Next?" Automotive Engineer, Vol. 1, No. 7, October, November, 1976. C1.
- 1976 ab Pron'ko, V. G., Annamchyan, R. G., Guilman, I. I., and Raygorodsky, A. E., "Some Problems of Using Adsorbents as a Matrix Material for Low-Temperature Regenerators of Cryogenic Refrigerators," May, 1976. C3, D15.
- 1976 ac Koizumi, I., "Development of Stirling Engines," J. Jap. Soc. Mech. Eng., Vol. 79, No. 693, August, 1976. A0.
- 1976 ad Mortimer, J., "Alternative Engines for Tomorrow's Car," Engineer, Vol. 242, No. 6769, May, 1976. C1. *
- 1976 ae Fosdick, R. J., "Engine Development - No Overnight Happening," Automot. Ind., Vol. 154, No. 4, February, 1976. A1, A6, B3, B6, B8, C1, D6, D13, E3. *
- 1976 af Umarov, G. Ya., Orunov, B. B., Klyuchevskii, Yu. E., Tursumbaev, I. A., and Trukhov, V. S., "Thermodynamic Analysis and Selection of Optical Parameters of a Dynamic Converter for a Solar Power Plant," Geliotekhnika, No. 5, pp. 31-34, 1976. A4.
- 1976 ag Schock, A., "Isotope Heat Source for Dynamic Power Systems," IECEC Record 769198, pp. 1136-1138, 1976. A3. *
- 1976 ah Gratch, Serge, "Advanced Automotive Propulsion," AIChE, New York, Vol. 1, pp. 2-5, 1976. D1.
- 1976 ai Tomazic, W. A., "Alternative General-Aircraft Engines," Aircraft Piston Eng. Exhaust Emissions Symp., pp. 315-328, NASA, N77-17081, Sept. 1976. C1.

- 1976 aj Pouchot, W. D., and Lehrfeld, D., "Nuclear-Powered Artificial Heart System," AICHE, Vol. 1, SAE Paper 769025, pp. 157-162, 1976. A3, C4. *
- 1976 ak Byer, R. L., "Initial Experiments with a Laser Driven Stirling Engine," NASA-SP-395, Conf. on Laser Energy Conversion, pp. 181-188, 1976. A7, B9, D18, B7, E3. *
- 1976 al Moise, J. C., Raeser, R. J., and Russo, V. F., "Thermocompressor Powered Artificial Heart Assist System," IECEC Record 769024, pp. 150-156, Vol. I, 1976. B2, C4, D8, E3. *
- 1976 am Pouchot, W. D., and Lehrfeld, D., "Nuclear-Powered Artificial Heart System," IECEC Record 769025, pp. 157-162, Vol. I, 1976. A3, A6, B3, B6, B8, C4, E2. *
- 1976 an "Alternative Powerplants and Energy Conservation," Automotive Engr., Vol. 84, No. 3, March, 1976. C1. *
- 1976 ao Garbuny, M., and Pechersky, M. J., "Laser Engines Operating by Resonance Absorption," Appl. Opt., Vol. 15, No. 5, May, 1976. A7, D2, D5, D11, D14. *
- 1976 ap Garbuny, M., and Pechersky, M. J., "Optimization of Engines Operated Remotely by Laser Power," Conf. on Laser Energy Conversion, NASA SP-395, pp. 173-180, 1976. A7, D2, D18. *
- 1976 aq Andrus, S., Carriker, W., Faeser, R. J., Helwig, J. W., and Hoffman, L. C., "Development and Evaluation of a Pneumatic Left Ventricle Assist System," Aerojet Liquid Rocket Co., Rept. No. 9280-430-76, May, 1976. A3, B2, B7, C4.
- 1976 ar Higa, W. H., "Stirling Cycle Engine and Refrigeration Systems," United States Patent, 3,971,230, July 27, 1976. C3. *
- 1976 as Johnston, R. P., Bakker, L. P., Bennett, A., Blair, C. R., and Emigh, S. G., "Implanted Energy Conversion System," McDonnell Douglas Astronautics Co., Annual Rept. No. MDC-G4448, May 1, 1975-June 30, 1976. C3, D1, E3, E13. *
- 1976 at Vacant
- 1976 au Kolff, J., Sandquist, G., Smith, L. M., and Olsen, D. B., "The Nuclear Heart," Resident & Staff Physician, December, 1976. A3, C4. *
- 1976 av Umarov, G. IA., Trukhov, V. S., Tursenbaev, I. A., and Orunov, B. B., "Method of Optimizing Heat Exchangers for a Stirling Engine," Geliotekhnika, No. 6, pp. 18-23, (in Russian), 1976. D14, D16.

- 1976 aw Umarov, G. IA., Orunov, B. B., Klischevskii, IU. E., Tursunbaev, I. A., and Trukhov, V. A., "Thermodynamic Analysis and Selection of Optimal Parameters of a Dynamic Converter for a Solar Energy Set-Up -- Utilizing Stirling Engine," Geliotekhnika, No. 5, pp. 31-34, (in Russian), 1976. A4, C7, D1, D2.
- 1976 ax Burn, K. S., and Walker, G., "Exploratory Study of the Rainbow Variant Stirling Cycle Engine," IECEC Record 769262, pp. 1519-1522, Vol. II, 1976. B3, B4, B6, B8, C3, D2. *
- 1976 ay Johnston, R. P., Bennett, A., Emigh, S. G., Griffith, W. R., Noble, J. E., Perrone, R. E., White, M. A., Martini, W. R., and Niccoli, L. G., "Stirling/Hydraulic Power Source for Artificial Hearts," IECEC Record 769023, pp. 143-149, 1976. A3, A6, B2, C4, D5, E3. *
- 1976 az "Monthly Technical Progress Report," Mechanical Technology Inc., Nos. 16 & 17, November & December, 1976. B3, B6, B8. *
- 1976 ba Pedrosa, R. I., "The Stirling Engine -- Engineering Considerations in View of Future Needs," IECEC Record 769257, pp. 1498-1505, Vol. II, 1976. B3, B8, D5, D6, D8, D9, D18. *
- 1976 bb Percival, W. H., "Stirling Cycle Engines," IECEC Record, pp. 1496-1497, Vol. II, 1976. D6, D11, D13, E1, B9. *
- 1976 bc Watelet, R. P., Ruggles, A. E., and Torti, V., "Status of the Tidal Regenerator Engine for Nuclear Circulatory Support Systems," IECEC Record 769022, pp. 136-142, Vol. I, 1976. B2, E3, *
- 1977 a Benson, G. M., "Thermal Oscillators," IECEC Record 779247, pp. 1478-1487, 1977. A2, B7, B9, C7, D5, D15, D18, E1. *
- 1977 b Goldwater, B., Piller, S., Rauch, J., and Cella, A., "Demonstration of a Free Piston Stirling Engine Driven Linear Alternator," Phase I Report No. 77TR40, Mechanical Technology, Inc., March 30, 1977. B7, B9, C7, D3, D6, D9, D10, D11, D14, E3, E11. *
- 1977 c Goldberg, L. F., Rallis, C. J., Bell, A. J., and Urieli, I., "Some Experimental Results on Laboratory Model Fluidyne Engines," IECEC Record 779255, pp. 1528-1533, 1977. B2, B5, B6, B8, C4, E3. *
- 1977 d Urieli, I., Rallis, C. J., and Berchowitz, D. M., "Computer Simulation of Stirling Cycle Machines," IECEC Record 779252, pp. 1512-1521, 1977. D4, D12. *

- 1977 e Rallis, C. J., Urieli, I., and Borchowitz, D. M., "A New Ported Constant Volume External Heat Supply Regenerative Cycle," IECEC Record 779256, pp. 1534-1537, 1977. B3, B4, B5, D2. *
- 1977-f Lehrfeld, D., "Practicability Study of Stirling Total Energy Systems," IECEC Report 779251, pp. 1504-1511, 1977. A2, A7, C3, C7, E1, E7. *
- 1977 g Borchowitz, D. M., Rallis, C. J., and Urieli, I., "A New Mathematical Model for Stirling Cycle Machine," IECEC Record 779254, pp. 1522-1527, 1977. D2, B5. *
- 1977 h- Martini, W. R., Hauser, S. G., and Martini, M. W., "Experimental and Computational Evaluations of Isothermalized Stirling Engines," IECEC Record 779250, pp. 1496-1503, 1977. B2, B5, B6, B8, C3, C5, E3. *
- 1977 i Rosenqvist, N. K. G., Gunnesson, S. G., and Lundholm, S. G. K., "The Development of a 150 kw (200 hp) Stirling Engine for Medium Duty Automotive Application -- A Status Report," SAE Paper No. 770081, February 28-March 4, 1977. A1, B3, B5, B7, C1, E1, E3. *
- 1977 j "The Swedish Stirling Engine Development," Kommanditbolaget, United Stirling, BI.16.3000 12.76, 1977. A1, B3, B5, B7, C1, E3. *
- 1977 k Kitzner, E. W., "Stirling Engine Program," Automotive Propulsion Systems Symposium, April 20, 1977. B4, B8, E1, E3. *
- 1977 l Rahnke, C. J., and Vallance, J. K., "Reliability and Durability of Ceramic Regenerators in a Gas Turbine," ASME 77-GT-59, March, 1977. D13. *
- 1977 m "Monthly Technical Progress Report," Mechanical Technology, Inc., Nos. 18-22, January-April, 1977. A3, B3, B7, B9, C7, E2. *
- 1977 n Varney, F. M., "Solar Dome House and Automobile with Self-Contained Energy System," January, 1977. A1, C1, C3, C4, C5, C7. *
- 1977 o - Grossman, D. G., and Lanning, J. G., "Aluminous keatite -- An Improved Rotary Ceramic Regenerator Core Material," ASME 77-GT-60, 1977. D13. *
- 1977 p Blankenship, C. P., and Schulz, R. B., "Opportunities for Ceramics in the ERDA/NASA Continuous Combustion Propulsion Systems Program," NASA, TM X-73597, Jan. 1977. D13, D15. *
- 1977 q Davoud, J. G., and Burke, J. A., "D-Cycle Vapor Stirling Engine," Abstract, Fourth Inter. Symp. on Auto. Prop. Systems, April 20, 1977. B8, D5, D7, D8, D18. *
- 1977 r Sarkes, I. A., Nicholls, J. A., and Menzer, M. S., "Gas-Fired Heat Pumps: An Emerging Technology," ASHRAE Journal, March, 1977. B7, B9, C3, D1. *

- 1977 s Goldwater, B., and Morrow, R. B., "Demonstration of a Free-Piston Stirling Linear Alternator Power Conversion System," IECEC Record 779249, pp. 1488-1495, 1977. B7, B9, C7, D1. *
- 1977 t Cooke-Yarborough, E. H., "A Data Buoy Powered By A Thermo-Mechanical Generator: Results of a Year's Operation at Sea," IECEC Record 779230, pp. 1370-1377, 1977. A1, B7, B9, C3, E2. *
- 1977 u Benson, G. M., "Free-Piston Heat Pumps," IECEC Record 779068, pp. 416-425, 1977. A4, A5, B7, B9, C7. *
- 1977 v Goldowsky, M., and Lehrfeld, D., "Artificial Heart Thermal Converter Component Research and Development," IECEC Record 779019, pp. 126-133, 1977. A3, C4, D6, D8, D11, E3. *
- 1977 w Auxer, W. L., "Development of a Stirling Engine Powered Heat Activated Heat Pump," IECEC Record 779065, pp. 397-401, 1977. A1, C3. *
- 1977 x Johnston, R. P., Bennett, A., Emigh, S. G., Griffith, W. R., Noble, J. E., Perrone, R. E., White, M. A., Martini, W. R., and Alexander, J. E., "Stirling/Hydraulic Artificial Heart Power Source," IECEC Record 779016, pp. 104-111, 1977. C4. *
- 1977 y Boser, O., "Safety Considerations for High Temperature Thermal Energy Storage in Fluoride Salts," IECEC Record 779092, pp. 575-582, 1977. A6, D11. *
- 1977 z Organ, A. J., "The Use of Bulk Coefficients of Convective Heat Transfer in the Simulation of the Practical Stirling Cycle by Digital Computer," Kings College, London, Research Report, 1977. D4, D14, D16. *
- 1977 aa Martini, W. R., "Stirling Engine Research Institute Newsletter," No. 1, Feb. 1977. A0.. *
- 1977 ab Tomazi, W. A., and Cairelli, J. E., "Ceramic Applications in the Advanced Stirling Automotive Engine," Fifth Army Materials Technology Conference, March 21-25, 1977. A1, B3, B6, B8, C1, D13, D15. *
- 1977 ac Selcuk, M. K., Wu, Y. C., Moynihan, P. I., and Day, F. D., "Solar Stirling Power Generation; Systems Analysis and Preliminary Tests," Jet Propulsion Laboratory, International Solar Energy Society Solar World Conference, Orlando, Florida, June 6-9, 1977. A4, B7, B9, C7, D1. *
- 1977 ad Didion, D., Maxwell, B., and Ward, D., "A Laboratory Investigation of a Stirling Engine Driven Heat Pump," 1977 International Seminar on Heat Transfer in Buildings, Dubrovnik, Yugoslavia. A1, C3, E3. *

- 1977 ae Finegold, J. G., and Vanderbrug, T. G., "Stirling Engines for Undersea Vehicles," Final Report No. 5030-63, Jet Propulsion Laboratory, March, 1977. A7, B5, D2. *
- 1977 af Urieli, I., "A Computer Simulation of Stirling Cycle Machines," Ph.D. Thesis, University of the Witwatersrand, Johannesburg, South Africa, February, 1977. D4. *
- 1977 ag Chaddock, D. H., "The Hot Air Engine Competition - at the Wembley Model Engineer Exhibition," Model Engineer, May 20, 1977. E3. *
- 1977 ah "The Vintage Stirling Makes a Comeback," Business Week, pg. 84, June 27, 1977. C1, C2. *
- 1977 ai "Second Stirling Engine Development Team," Commerce Business Daily, No. PSA-6921, September 28, 1977. A0. *
- 1977 aj Bledsoe, J. A., "Stirling Isotope Power System," Monthly Letter Reports, 1977. A3, B2, B6, B8, C7, D1. *
- 1977 ak Senft, J. R., Personal Communication, August 28, 1977. D2. *
- 1977 al Carlqvist, S. G., Rosenqvist, K. G., and Gummesson, S. G., "Developing the Stirling Engine for Fuel Economy in Marine, Industrial and Medium Duty Automotive Applications," 12th Inter. Congress on Combustion Engines, Tokyo, May 22 to June 1, 1977. D1, E1. *
- 1977 am "Swedish Stirling Engine Development," United Stirling, 1977. E1. *
- 1977 an Organ, A. J., "The Isothermal Stirling Cycle with Arbitrary Equation of State," Personal Communication, August 30, 1977. D2. *
- 1977 ao "Survey of Stirling Engine Analytical Design Methods," Paper Presented at ERDA Highway Vehicle Systems Contractors' Coordination Meeting, October 4, 5, 6, 1977, Dearborn, Michigan. D2, D3, D4. *
- 1977 ap "Ford Motor, U.S. Set Program to Develop Stirling Car Engine," Wall Street Journal, October 3, 1977. C1. *
- 1977 aq "Stirling Engine Program," Paper Presented at ERDA Highway Vehicle Systems Contractors' Coordination Meeting, October 4, 5, 6, 1977, Dearborn, Michigan. B5, B8, C1, E1. *
- 1977 ar Folsom, L. R., Artiles, A. A., and Joyce, J. P., "Thermal Energy Storage/Heat Engine for Highway Vehicle Propulsion," Paper Presented at ERDA Highway Vehicle Systems Contractors' Coordination Meeting, October 4, 5, 6, 1977, Dearborn, Michigan. A0, B3, B6, B8. *
- 1977 as Ragsdale, R. G., "Stirling Engine Project Status," Paper Presented at ERDA Highway Vehicle Systems Contractors' Coordination Meeting, October 4, 5, 6, 1977, Dearborn, Michigan. D1. *

- 1977 bh Collins, F. M., "A Pressurised Hot Air Engine," Model Engineer, pp. 822-825, July 15, 1977. E3. *
- 1977 bi Urwick, W. D., "Stirling Engines: More Research and Development," Model Engineer, pp. 220-226, February, 18, 1977. E3. *
- 1977 bj Hallare, B., and Rosenqvist, K., "The Development of 40-150 KW Stirling Engines in Sweden and Their Application in Mining Equipment, Total Energy Systems and Road Vehicles," Presented at Fourth Inter. Symp. on Auto Prop. Systems., April 20, 1977. A1, B5, C7, E1, E4, E5. *
- 1977 bk "Stirling Engine Program," Ford Motor Company, Presented at Fourth Inter. Symp. on Auto Prop. Systems, April 20, 1977. A1, C1, E1. *
- 1977 bl Tew, R., Personal Communication, October 7, 1977. D4. *
- 1977 bm "DOE, Ford Sign. Cost-Sharing Pact For Development of Stirling Engine," Energy Users Report, Bureau of National Affairs, Inc., No. 218, pg. 26, October 13, 1977. C1. *
- 1977 bn "Gas-Fired Heat Pump: The Coming Home Heater/Air Conditioner?" Machine Design, page 8, October 6, 1977. C3. * —
- 1977 bo "Will the Stirling Engine Finally Get Out of the Garage?" Chemical Engineering, page 57, April 25, 1977. C7. *
- 1977 bp Valentine, H., Personal Communication, November 23, 1977. E3. *
-
- 0000 a Vonk, G., "A New Type of Compact Heat Exchanger with a High Thermal Efficiency," Advances in Cryogenic Engng., K-3, pp. 582-589. D15. *
- 0000 b "Applications of Cryogenic Equipment in Hydrocarbon Processing and Transport," Philips Corp. C3. *
- 0000 c Zacharias, F. A., "Advanced Development on Stirling Engines at MWM." 2nd NATO-CCMS Symposium, Dusseldorf, West Germany, Nov. 4, 1974.
- 0000 d "Cryogenic Equipment," Philips Corp. C3, C4. *

TABLE 8-2

PERSONAL AUTHOR INDEX TO REFERENCES

- Abell, T. W. D., 69 ai
 Agarwal, P. D., 69 j
 Agbi, Babtunde, 71 k, 73 u, 73 ag
 Alexander, J. E., 77 x
 Alm, C. B. S., 73 a
 Amann, C. A., 74 ah
 Ambrosio, A., 66 b
 Ammamchyan, R. G., 76 ab
 Andersen, N. E., 74 ab, 76 w
 Anderson, G. A., 1897 a
 Anderson, Lars, 13 a
 Andrejewski, J., 74 ai
 Andrus, S., 72 k, 73 at, 74 au, 75 au,
 76 aq
 Anzelius, A., 26 a
 Arend, P. C., 64 k
 Arkharov, A. M., 73 au
 Arnett, G., 75 ba
 Artiles, A. A., 77 ar
 Asselman, G. A. A., 72 ah, 73 aj, 76 f,
 77 bb
 Auxer, W. L., 77 w
 Ayres, Robert V., 73 af
 Baas, H. B., 63 r
 Babcock, G. H., 1885 a
 Bahnke, G. D., 64 a
 Bahr, D. W., 72 ag
 Bakhnev, V. G., 75 ak
 Bakker, L. P., 76 as
 Balas, Charles, Jr., 75 ay, 77 ax
 Barker, J. J., 65 r
 Baumgardner, A. R., 73 ai
 Bayley, F. J., 61 a, 61 g, 65 s
 Bazinet, G. D., 71 az, 72 k
 Beale, William T., 69 h, 69 ac, 71 g,
 71 aq, 72 x, 72 ad, 73 b, 73 t,
 75 n, 75 s
 Bell, Andrew J., 77 c
 Bender, R. J., 70 n
 Bennett, A., 76 as, 76 ay, 77 x
 Benson, G. M., 73 p, 77 a, 77 u
 Berchowitz, David M., 77 d, 77 e, 77 g,
 77 bq
 Biermann, U. K. P., 75 f
 Bifano, N. J., 75 ab
 Biryukov, V. I., 75 av
 Bjerklie, J. W., 72 v, 75 am
 Blair, C. R., 76 as
 Blankenship, Charles P., 77 p
 Bledsoe, J. A., 77 aj
 Blinov, I. G., 74 ak
 Bloem, A. T., 57 h
 Bloemer, J. W., 65 u
 Boelter, L. M. K., 43 a
 Boestad, G., 38 a
 Bohr, E., 48 g
 Bolt, J. A., 68 b
 Boltz, C. L., 74 ai
 Bondarenko, L. S., 73 au
 Bornhorst, W. J., 71 b
 Boser, O., 77 y
 Bougard, J., 75 an, 75 bc

Bourne, J., 1878 b
 Bourne, R. J., 77 bg
 Brainard, D. S., 60 s
 Breazeale, W. I., 65 y
 Breen, B. P., 72 ag
 Brogan, John J., 73 ak, 74 an
 Bucherl, E. S., 75 g
 Buck, Keith E., 68 e, 68 h, 68 j, 69 i,
 69 af, 69 ak, 70 r, 71 ay, 72 al

 Burke, J. A., 77 q
 Burn, K. S., 76 ax
 Bush, J. E., 74 aa
 Bush, Vannevar, 38 b, 38 c, 39 a, 49 a,
 69 aq, 70 s
 Byer, R. L., 76 ak
 Cairelli, James E., 77 ab, 77 av
 Cairns, Elton J., 75 am
 Carlqvist, S. G., 75 az
 Carney, H. C., 69 ak
 Carriker, W., 76 aq
 Cayley, G., 1807 a
 Cella, Al, 77 b
 Chaddock, D. H., 77 ag
 Cheaney, E. S., 68 o
 Chellis, F. F., 61 h
 Chelton, D. G., 64 k
 Chironis, N. P., 68 a
 Churchill, S. W., 61 n
 Clapham, E., 77 aw
 Claudet, G., 72 ae
 Codegone, C., 55 f
 Coleman, S. J., 71 b
 Collins, F. M., 77 bh
 Combes, Par M., 1853 a

 Cooke-Yarborough, E. H., 67 i, 70 e, 74 f,
 74 g, 74 h, 74 i, 74 j, 74 k, 74 ad,
 75 l, 75 y, 77 t
 Coppage, J. E., 52 a, 53 a, 56 a
 Cornelius, W., 72 ag
 Cowans, K. W., 68 w
 Crandall, S. H., 56 c
 Creswick, F. A., 57 a, 62 m, 65 a, 68 o
 Crouthamel, M. S., 72 af, 75 ac
 Damsz, G., 67 e
 Daniels, A., 65 v, 66 l, 67 e, 71 h,
 71 l, 71 p, 73 ae, 73 ap, 74 b,
 74 w, 75 m
 Danilov, I. B., 72 ae
 Darling, G. B., 59 a
 Datriing, R., 69 l
 Daunt, John G., 63 h, 63 p
 Davis, Stephen R., 51 a, 71 q, 72 r,
 73 ao, 73 ar
 Davoud, J. G., 77 q
 Day, Frederick D., 77 ac
 de Brey, H., 47 b, 48 a, 52 i
 Dehart, A. O., 71 t
 Delabar, G., 1869 a
 de Lange, Leendert, 56 f, 57 i
 den Haan, Jose J. W., 58 i
 Denham, F. R., 53 b
 Denton, W. H., 51 d
 de Socio, L., 67 a
 de Steese, J. G., 74 o
 de Wilde de Ligny, J. H., 71 e
 Didion, David, 77 ad
 Dineen, John J., 65 m
 Doering, R. D., 68 x

Donkin, Brian, 11 z
 Doody, R. D., 75 a
 Dresser, D. L., 60 b
 Dros, A. A., 51 f, 52 f, 56 b, 57 k,
 65 b, 66 k
 Dunn, P. D., 75 k
 Dunne, J., 73 g
 Du Pre, Frits Karel, 46 a, 52 c, 65 v,
 66 l, 70 h, 71 l, 71 p, 73 y, 73 ap

 Eckerth, 1869 b
 Edwards, P. A., 61 a
 Eibling, J. A., 61 e, 65-u, 66 c, 67 t
 Elrod, H. G., 74 q
 Elukhin, N. K., 64 h, 69 ah
 Emerson, D. C., 59 b
 Emigh, S. G., 71 i, 74 n, 74 av, 75 r,
 75 t, 75 be, 76 as, 76 ay, 77 x

 Engel, Edwin F., 13 a
 Ericksson, E. A., 1897 a
 Ericsson, John, 1826 a, 1833 a, 1876 a,
 1880 b
 Essex, H., 03 a
 Estes, E. M., 72 aj
 Fabbri, S., 57 b
 Faeser, R. J., 70 r, 71 az, 72 k, 73 r,
 73 at, 74 au, 75 p, 75 au, 76 aq

 Fam, S. S., 75 ai
 Farber, L. A., 65 o, 69 s
 Farrington, 71 h
 Fax, D. H., 54 c
 Feigenbutz, L. V., 73 w
 Feurer, B., 73 aw

 Finegold, Joseph G., 77 ae
 Finkelstein, Theodor, 52 b, 53 c, 59 c,
 60 j, 61 b, 61 d, 61 e, 62 a, 62 l,
 63 a, 64 b, 64 c, 65 c, 67 c, 67 d,
 70 f, 70 g, 72 u, 75 a1

 Fisher, Dan, 68 o, 74 t
 Fleming, R. B., 62 b
 Flint, Jerry, 76 d
 Flynn, G., 60 a
 Fokker, H., 73 c, 73 d
 Folsom, L. R., 77 ar
 Ford, H., 40 a
 Forrest, D. L., 68 e
 Fosdick, R. J., 76 ae
 Fraize, W. E., 70 b
 Frank, G., 74 v
 Franklin, E., 74 j, 74 k, 74 ad
 Fritz, B., 1875 a
 Fryer, B. C., 68 y, 73 ar, 73 ay
 Furnas, C. C., 30 a, 32 a
 Gabrielsson, R. G., 75 j
 Gamson, B. W., 51 e, 63 b
 Garay, P.—N., 60 m
 Garbuny, M., 76 ao, 76 ap
 Garg, G. C., 59 k
 Garrett, K., 75 ao
 Gasparovic, N., 72 q
 Gasper, K. A., 72 b
 Gass, J., 72 ae
 Geisow, J., 74 j, 74 k, 74 ad
 Gentry, S., 75 ba
 Gibson, B. M., 71 j
 Gifford, W. E., 59 j, 60 d, 63 q, 64 d,
 65 d

Gipps, G., 72 ai
 Glassford, A. P. M., 62 c
 Godoy, Juan Vilchez, 14 a
 Goldberg, Louis F., 77 c
 Goldowsky, M., 77 v
 Goldwater, Bruce, 77 b, 77 s
 Goranson, R. B., 68 c, 68 s, 70 v
 Gorring, R. L., 61 n
 Grashof, F., 1890 a
 Gratch, Serge, 76 ah
 Green, D. B., 73 aj
 Griffith, W. R., 73 w, 74 n, 74 av,
 75 r, 75 be, 76 ay, 77 x
 Grigorenko, N. M., 75 aj, 75 as
 Grobman, J. S., 72 ag
 Grossman, D. G., 77 o
 Guilfooy, Robert F., Jr., 73 aq
 Guilman, I. I., 76 ab
 Gummesson, Stig G., 77 i
 Haerten, R., 75 g
 Hagen, K. G., 71 a, 74 ba, 75 ai
 Hahnemann, H., 48 b
 Hakansson, Sven Anders Samuel, 74 z
 Hallare, B., 77 bj
 Halley, J. A., 58 a
 Hamerak, K., 71 r
 Hanold, R. J., 62 g
 Hanson, J. P., 75 ab
 Hanson, K. L., 65 k
 Hapke, H., 73 ab
 Harkless, Lloyd B., 74 l
 Harmison, L. T., 71 b, 71 i, 71 j, 72 d,
 72 h, 72 l, 72 ak
 Harp, J. L., 72 ap
 Harris, W. S., 70 y, 71 s
 Hartley, J., 74 ae, 74 ag
 Hausen, H., 29 a, 29 c, 31 b, 42 a
 Hauser, S. G., 77 h
 Havemann, H. A., 54 a, 55 a, 59 k
 Heffner, F. E., 60 a, 63 i, 65 t, 69 f
 Hellingman, Evert, 56 b
 Helmer, W. A., 71 ak
 Helwig, J. W., 76 aq
 Henderson, R. E., 60 b
 Henein, Naeim A., 71 q, 72 r, 73 ao, 73 ar
 Henning, E., 75 g
 Henriksson, L., 71 z
 Hermans, M. L., 72 c, 74 u
 Herschel, J., 1850 a
 Heywood, John B., 75 bb
 Higa, W. H., 65 n, 75 ah, 76 ar
 Hinderman, J. D., 73 w, 74 n
 Hinton, M. G., 71 as, 74 at
 Hoess, J. A., 68 o, 69 d
 Hoffman, L. C., 71 az, 72 k, 73 at, 74 au,
 75 au, 76 aq, 77 be
 Hogan, Walter H., 61 h, 63 c, 63 s, 64 f
 Holmgren, J. S., 70 x
 Honrbeck, C. J., 71 j
 Horn, Stuart B., 73 as
 Hornton, J. H., 66 e
 Hougen, J. O., 51 b
 Hougen, O. A., 63 b
 Howard, C. P., 63 d, 64 a, 64 e
 Howlett, R., 70 aa, 70 ab, 74 j, 74 k,
 74 ad
 Hubbard, F. B., 06 b
 Huffman, F. N., 71 a, 71 b, 72 d, 72 l,
 74 ba

Iliffe, C. E., 48 c
 Jacoby, H. D., 75 bb
 Jakeman, R. W., 60 u
 Jakob, M., 57 c
 Jakobsson, E. G., 63 p
 Janicki, E., 76 aa
 Jaspers, H. A., 73 x
 Jayachandra, P., 59 k
 Johnson, Owen, 46 b
 Johnston, J. R., 77 at
 Johnston, R. D., 62 g
 Johnston, R. P., 68 a, 68 c, 69 a, 69 x,
 70 v, 71 ao, 72 an, 73 al, 73 an,
 73 aw, 74 n, 74 av, 75 r, 75 be,
 76 as, 76 ay, 77 x
 Jones, L. L., 54 c
 Jonkers, Cornelius Otto, 54 b, 54 e,
 55 b, 55 c, 58 c, 60 t
 Joschi, J., 70 g
 Joule, J., 1852 a
 Joyce, J. P., 77 ar
 Karavansky, I. I., 58 b
 Kays, W., 64 l
 Keller, H., 74 v
 Kern, J., 76 x
 Kettler, Jack R., 75 ae
 Khan, M., 62 h, 65 i
 Kim, J. C., 70 m, 71 aj, 71 ak, 73 l
 Kirk, A., 1874 a
 Kirkley, D. W., 59 e, 62 d, 62 e, 65 e
 Kitzner, E. W., 77 k
 Klischevskii, IU. E., 76 aw
 Kneuer, R., 72 ae
 Knoke, J. O., 1899 b
 Knoos, Stellan, 72 g
 Koenig, K., 66 p
 Kohler, J. W. L., 54 b, 54 e, 55 c, 55 e,
 55 g, 56 d, 56 e, 57 h, 57 j, 59 h,
 60 c, 60 t, 65 f, 68 ac
 Kohlmayer, G. F., 67 m
 Koizumi, I., 76 ac
 Kolff, Jack, 75 ba, 76 au
 Kolin, I., 68 k
 Koopmans, 52 d, 52 f, 57 i
 Kovatchev, V. T., 72 ae
 Kovton, I. M., 67 h
 Kuhlmann, Peter, 70 i, 70 l, 71 m, 73 ad
 Kunii, D., 61 m
 Kuznetson, B. G., 73 au
 Lagerqvist, R. S. G., 73 s
 Lambeck, A. J. J., 55 d
 Lambertson, T. J., 58 d
 Lanning, J. G., 77 o
 Lapedes, D. E., 71 bb, 74 at
 LaPoint, C. W., 72 ag
 Lashkareva, T. P., 73 z
 Lavigne, Pierre, 73 am
 Lay, R. K., 70 b
 Leach, Charles F., 68 y
 Lee, Royal, 37 a
 Leeth, G. G., 69 c
 Lefebvre, A. H., 72 ag, 74 aj
 Leffel, C. S., 77 ax
 Lehrfeld, D., 75 ab, 76 aj, 76 am, 77 f,
 77 v
 Leo, B., 70 ac, 71 bf
 Lewis, R. S., 71 g, 72 ad
 Lewis, Stephen, 73 t
 Lia, Torbjorn A., 71 z, 71 af, 73 e,
 73 s, 75 j, 75 az

Lienesch, J. H., 68 p, 69 k
 Linden, Lawrence H., 75 bb
 Lindsley, E. F., 75 x
 Locke, G. L., 50 a
 London, A. L., 53 a, 56 a, 58 a, 64 l
 Longworth, Ralph C., 63 q, 64 d, 65 d,
 66 i, 71 j, 71 be, 74 as
 Lowe, J. F., 76 q
 Lucek, R., 67 e
 Ludvigsen, Karl, 72 s, 73 f, 73 k
 Lundholm, G. K. S., 75 az, 77 i
 Lundstrom, R. R., 71 q
 Lura, T., 71 as
 Lyapin, V. I., 75 ak
 Magee, F. N., 68 x, 69 l
 Magladry, R., 69 aj
 Maikov, V. P., 69 ah
 Maki, E. R., 71 t
 Malaker, Stephen F., 63 h, 63-p
 Malik, M. J., 68 i
 Malone, J. F. J., 31 a
 Mann, D. B., 64 k
 Margolis, Howard, 75 bb
 Marinet, D., 72 ae
 Marshal, Otis W., 74 s
 Martin, B. W., 61 g
 Martinelli, R. C., 43 a
 Martini, M. W., 77 h
 Martini, W. R., 68 c, 68 l, 68 u, 69 a,
 69 x, 69 al, 70 v, 71 i, 71 ba, 72 b,
 72 d, 72 m, 72 ak, 73 w, 73 al, 74 n,
 74 o, 74 p, 74 av, 75 q, 75 ag, 76 c,
 76 ay, 77 h, 77 x, 77 aa
 Mattavi, J. N., 69 f
 Maxwell, Barry, 77 ad
 McMahon, H. D., 59 j, 60 d
 Medvedev, E. M., 73 aa
 Meek, R. M. G., 61 f
 Meijer, R. J., 57 c, 57 g, 59 f, 59 l,
 59 m, 60 e, 60 o, 60 p, 60 q, 60 r,
 65 g, 65 h, 66 g, 68 q, 69 e, 69 m,
 69 t, 69 u, 69 z, 70 d, 70 j, 72 n,
 72 ah, 74 c, 77 bb, 77 bc
 Meijer, Hugo H. M., 58 h
 Meltzer, Joseph, 58 b, 71 bb, 74 at
 Menzer, M. S., 77 r
 Mercer, S. D., 71 az
 Meulenberg, R. E., 69 ai
 Michels, A. P. J., 71 f, 72 a, 76 e
 Mihnheer, A., 72 ae
 Miklos, A. A., 69 f
 Mitchel, R. K., 62 m
 Moise, J. C., 73 r, 73 at, 74 x, 74 au,
 75 p, 75 au, 76 al
 Mondt, J. R., 64 g
 Monson, D. S., 62 i
 Moon, J. F., 72 o
 Mooney, R. J., 69 j
 Morash, Richard T., 74 s
 Morgan, N. E., 72 t
 Morgenroth, Henri, 66 o
 Morrow, R. B., 77 s
 Morse, F. W., 06 b
 Mortimer, J., 75 ap, 76 ad
 Mott, William E., 72 e, 75 ax
 Moynihan, Philip I., 77 ac
 Mulder, G. A. A., 72 ah
 Mulej, P., 71 g
 Mullins, Peter J., 75 bd

Murinets-Markevich, B. N., 73 aa
 Murray, J. A., 61 g
 Napier, James Robert, 1853 b, 1854 b
 Narayankhedkar, K. G., 72 ae
 Naumov, A. M., 67 h
 Neelen, G. T. M., 67 j, 70 u, 71 m
 71 at
 Nemsman, U., 75 g
 Nesterenko, V. B., 67 h
 Newhall, Henry K., 74 aq
 Newton, Alwin B., 57 f, 59 i, 59 n, 61 c
 Niccoli, L. G., 76 ay
 Nicholls, J. A., 77 r
 Noble, Jack E., 69 a, 69 x, 71 i, 74 r,
 74 aw, 75 r, 75 be, 76 t, 76 u,
 76 ay, 77 x
 Nobrega, A. C., 65 w
 Norbye, J. B., 73 g
 Norman, John C., 72 l
 Norster, E. R., 72 ag
 Nosov, M. E., 73 aa
 Nusselt, W., 27 a, 28 a
 Oatway, T. D., 72 ap
 O'Keefe, R. J., 69 ak
 Olsen, Don B., 75 ba, 76 au
 Organ A. J., 70 k, 71 u, 71 av, 73 ac,
 75 i, 76 h, 77 z, 77 an, 77 ba
 Ortegren, Lars G. H., 71 m, 71 y,
 71 z, 71 ah
 Orunov, B. B., 76 av, 76 aw
 Pakula, A., 50 e
 Pallabazzer, R., 67 a
 Parker, M. D., 60 f
 Parulekar, B. B., 72 ae
 Patterson, D. J., 68 b
 Paul, B., 70 s
 Pechersky, M. J., 76 ao, 76 ap
 Pedroso, R. I., 76 ba
 Penn, A. W., 74 ap
 Percival, I. C., 60 a, 68 ae, 74 bc,
 76 bb
 Perlmutter, M., 61 i
 Perrone, R. E., 73 w, 74 n, 74 av, 75 r,
 75 be, 76 ay, 77 x
 Persen, K., 72 ae
 Piller, Steven, 77 b
 Piret, E. L., 51 b
 Pitcher, Gerald K., 70 h, 75 b
 Plitz, W., 74 v
 Poingdestre, W. W., 1845 a
 Polster, Norman E., 76 c, 76 p
 Postma, N. P., 73 h
 Pouchot, W. D., 74 w, 75 ab, 76 aj, 76 am
 Prast, G., 63 e, 63 o, 64 i, 65 x, 70 p
 Prescott, F. L., 65 o
 Pronko, V. G., 76 ab
 Prosses, 17 d
 Prusman, Yu O., 75 aj, 75 ak, 75 as
 Qvale, Einer Bjorn, 67 n, 68 m, 68 r,
 69 n, 69 an, 71 aj, 71 ak, 74 ab
 Raeser, R. J., 74 x, 76 al
 Raetz, K., 74 m
 Ragsdale, R. G., 77 as
 Rahnke, C. J., 77 l
 Rallis, Costa J., 75 w, 76 i, 76 y, 77 c,
 77 d, 77 e, 77 g, 77 ay, 77 az,
 77 bq

Ranch, J., 71 g
 Rankin, C. F., 75 n
 Rankine, M., 1853 b, 1854 a, 1854 b
 Rao, N. N. Narayan, 54 a, 55 a, 59 k
 Rapley C. W., 60 g, 61 g, 65 s
 Rauch, Jeff S., 72 ad, 73 t, 75 o, 77 b

 Raygorodsky, A. E., 76 ab
 Rea, S. N., 66 h, 67 l
 Reed, B., 68 f
 Rees, T. A., 20 a
 Reinink, F., 73 h
 Ricardo, Sir H., 66 m
 Rice, G., 75 k
 Recharadson, Robert W., 74 ar
 Richter, C., 74 v
 Rider, A. K., 1871 b
 Rider, T. J., 1888 b, 1888 c
 Rietdijk, J. A., 70 p, 65 h
 Riggle, Peter, 71 i, 72 ak
 Riha, Frank J., 72 z
 Riley, C. T., 72 ap
 Rinia, H., 46 a, 46 d, 47 b
 Rios, Pedro Agustin, 68 g, 68 r, 69 o,
 69 am, 69 an, 70 z, 71 s, 71 an
 Rochelle, P., 74 al
 Roessler, W. U., 71 as
 Romie, F. E., 66 b
 Rontgen, R., 1888 a
 Roozendaal, K., 61 n
 Rosenqvist, N. Kaj. G., 77 i, 77 al, 77 bj
 Ross, M. Andrew, 73 ai, 76 a, 76 b
 Rossi, R. A., 63 p
 Rudnicki, M. I., 70 r, 71 az, 72 d, 72 k,
 73 r, 73 at, 74 x, 74 au, 75 p, 75 au

 Ruggles, A. E., 74-ba, 75 ai, 76 bc
 Russo, V. E., 76 al
 Sadviskii, M. R., 69 ah
 Sampson, H. T., 71 as
 Sandquist, Gary, 74 az, 75 ba, 76 au
 Sarkes, L. A., 77 r
 Saunders, O. A., 40 a, 48 d, 51 q
 Savchenko, V. I., 75 aj, 75 as
 Sawyer, R. F., 72 ag
 Schaalkwijk, W. F., 56 e, 57 i, 59 g
 Schirmer, R. M., 72 ag
 Schmid, P., 74 v
 Schmidt, Gustav, 1861 a, 1871 a
 Schock, Alfred, 76 ag
 Schottler, R., 1881 a
 Schultz, B. H., 51 c, 53 e
 Schultz, Robert B., 77 p
 Schultz, W. L., 72 ag
 Schuman, Mark, 75 v
 Schumann, T. E. W., 29 b, 34 a
 Scott, David, 71 d, 71 ac, 71 ad, 74 e,
 75 z, 75 ad
 Selcuk, M. Kudret, 77 ac
 Senft, James R., 74 bd, 75 bg, 76 n,
 77 ak, 77 bf
 Sergreev, P. V., 73 av, 75 av
 Serruys, Max, 73 ah
 Shah, R. K., 75-aw
 Shelpuk, Benjamin, 72 af, 74 y, 75 ac
 Sherman, Allan, 71 am

 Shmerelzon, Ya. F., 73 av
 Shuttleworth, P., 58 e
 Siegel, R., 61 i
 Singh, P. P., 61 a

Singh, T., 72 r
 Singham, J. R., 51 a
 Slaby, A., 1878 a, 1879 a, 1880 a,
 1889 a
 Smal, Pierre, 05 a
 Smith, C. L., 60 f
 Smith, Harry F., 32 b, 42 b
 Smith, J. L. Jr., 67 l, 68 g, 68 m, 68 n,
 69 n, 69 o, 69 an, 70 z, 71 s, 73 ay,
 75 bf
 Smith, Lee-M., 74 az, 75 ba, 76 au
 Smoleniec, S., 48 d, 51 q
 Solente, P., 72 ae
 Spigt, C. L., 72 c, 74 c, 74 u, 75 m,
 77 bb
 Spriggs, James O., 72 w
 Stahman, R. C., 69 d
 Stang, J. H., 74 aa
 Stephan, A., 72 ae
 Stephans, J. R., 77 at
 Stirling, James, 1827 a, 1840 a
 Stirling, Robert, 1810 a, 1827 a, 1840 a,
 1845 b
 Stoddard, D., 60 l
 Stoddard, J. S., 60 k
 Storace, A., 71 v
 Strarosvitskill, S. I., 64 h
 Stuart, R. W., 63 c
 Summers, J. L., 75 af
 Tabor, H. Z., 67 k
 Tamai, H. W., 68 e, 69 ak, 70 r
 Taylor, A. T., 52 d
 Tew, R., 77 bl
 Thieme, L. G., 77 av
 Thodos, G., 63 b
 Thorson, J. R., 65 u
 Thring, R. H., 75 k
 Tipler, W., 47 a, 48 e
 Tobias, Charles W., 75 am
 Toepel, R. P., 69 j
 Tomazic, William A., 76 ai, 77 ab
 Torti, V. A., 75 ai, 76 bc
 Trayser, D. A., 65 u, 66 c, 67 b,
 68 o
 Trukhov, V. S., 73 z, 74 bb, 76 av, 76 aw
 Tsou, M. T., 63 k
 Tursenbaev, I. A., 73 z, 74 bb, 76 av,
 76 aw
 Uhlemann, H., 72 c, 74 u
 Umarov, G. Ia., 73 z, 74 bb, 76 av, 76 aw
 Underwood, A. E., 63 k, 70 a
 Urieli, Israel, 75 w, 76 i, 76 y, 77 c,
 77 d, 77 e, 77 g, 77 af
 Urwick, W. D., 77 bi
 Valentine, H., 77 bd, 77 bp
 Vallance, J. K., 77 l
 van Beukering, H. C. J., 65 h, 67 g, 73 c,
 73 d
 van der Aa, H. H. M., 65 h, 67 g
 Vanderbrug, Tom G., 77 ae
 van der Laan, G. M. J., 61 n
 van der Sluys, Willem L. N., 75 h
 van der Ster, J., 55 g, 60 h
 van Giessel, R., 73 h
 van Heeckeren, W. J., 49 c, 52 h, 59 d
 van Nederveen, H. B., 66 d

van Weenen, F. L., 47 b, 47 c, 48 a,
 57 k
 van Witteveen, R. A. J. O., 62 k, 66 f,
 71 ag
 Varney, Frederick M., 72 w, 77 n
 Vasishta, V., 69 p, 71 n
 Vedin, B. A., 68 t
 Veldhuijzen, E. J. J., 63 r
 ver Beek, H. J., 69 r
 Verdier, J., 72 ae
 Vicklund, G. D., 72 p
 Villard, J. C., 72 ae
 Volger, J., 68 d
 von Reth, R. D., 74 v, 75 g
 Vonk, G., 00 a, 62 j
 Voss, V., 34 a
 Vuilleumier, R., 1918 a
 Waalwijk, J. M., 74 d
 Wade, W. R., 68 p, 69 k, 72 ag
 Wadsworth, J., 61 j
 Wakao, N., 61 m
 Walker, G., 61 k, 61 l, 62 f, 63 f, 63 g,
 65 i, 65 j, 65 z, 67 f, 68 n, 68 ad,
 70 g, 71 n, 71 ae, 72 i, 72 j, 73 i,
 73 j, 73 m, 73 n, 73 v, 73 ag, 74 ao,
 76 ax
 Walters, S., 70 t
 Wan, W. K., 71 o, 72 i
 Ward, David, 77 ad
 Ward, Edward J., 72 w
 Watelet, R. P., 76 bc
 Watson, G. K., 77 at
 Weimer, George A., 76 o
 Weinhold, J., 63 l
 Weissler, P., 65 p
 Welsh, H. W., 62 l, 72 ap
 West, C. D., 71 ap, 74 j, 74 k, 74 ad,
 76 k
 White, M. A., 68 c, 70 v, 71 ao, 72 b,
 73 q, 73 al, 74 n, 74 o, 75 r, 76 ay,
 77 x
 White, Ronald, 76 l
 Wiedenhof, N., 74 d
 Wilding, Tony, 71 aa
 Wile, D. D., 60 s
 Wilkins, Gordon, 71 ar
 Wilson, David Gordon, 75 am
 Wilson, S. S., 75 aq
 Winberge, E. B., 43 a
 Wingate, C. A., 77 ax
 Wintringham, J. S., 60 n
 Witzke, W. R., 77 at
 Wolgemuth, C. H., 58 g, 63 n, 69 b,
 69 ag
 Wu, Yi-Chien, 77 ac
 Wulff, H. W. L., 72 ae
 Wuolijoki, J. R., 48 f
 Wurm, Jaroslav, 75 e
 Yagi, S., 61 m
 Yakahi, S., 43 a
 Yano, R. A., 72 ap
 Yeats, F. W., 75 l, 75 y
 Yendall, E. F., 52 e, 58 f
 Yzer, Jacobus, A. L., 52 b, 56 g

Zacharias, F. A., 00 c, 71 m, 71 w, 71 au,
73 y
Zanzig, J., 65 q
Zapf, Horst, 70 i, 70 l
Zarinchang, J., 75 d

Zeuner, G., 1887 a
Zimmerman, F. J., 71 be
Zimmerman, M. D., 71 c, 71 x
Zindler, G. F., 69 uj
Zykov, V. M., 74 am

Table 8-3

Corporate Author Index

Advanced Technology Lab
69 aa

AERE-Harwell

67 i, 70 z, 70 aa, 71 ap, 74 f,
74 g, 74 h, 74 i, 74 j, 74 k,
75 l, 75 y, 77 t

Aerojet Liquid Rocket Co.

68 e, 68 j, 69 i, 72 d, 73 r,
74 x, 75 p, 76 al, 76 aq

AFFDL

72 t, 74 l, 75 a, 75 b

Air Product & Chemicals, Inc.

71 j, 71 be

American Gas Association

77 r

Arthur D. Little, Inc.

59 j, 60 d, 61 h

Atomic Energy Commission

72 e, 73 ax

Battelle

61 e, 62 m, 65 a, 65 u, 66 c,
67 b, 69 d, 73 ay

Boeing

77 au

Brigham Young University

77 h

Bucknell University

77 ad

Control Data Corporation

71 n

Corning Glass Works

77 o

D-Cycle Power Systems, Inc.

77 q

Department of Energy

Department of Transportation

72 w, 75 bf

ERDA

74 bc, 76 j, 77 b, 77 s,
77 ab, 77 aj, 77 ao, 77 aq,
77 as, 77 at, 77 av

ERG, Inc.

73 p, 77 a, 77 u

Fairchild Space & Electronics Co.

76 ag

Ford Motor Co.

73 h, 76 ah, 77 k, 77 l,
77 aq, 77 bk

General Electric

76 j, 77 w, 77 aj, 77 bn

General Motors Corporation

42 b, 60 a, 64 g, 65 t, 68 p,
68 v, 69 f, 69 k, 69 v, 69 ao,
69 ap

Goddard Space Flight Center

69 aa

HEW

69 d

Hughes Aircraft

68 x, 72 t, 75 a

IIT Research Institute

65 i, 65 j

Institute of Gas Technology

67 f, 75 e

Jet Propulsion Laboratory

75 t, 77 ac, 77 ae

Johns Hopkins University

77 ax

Joint Center for Graduate Study

75 ag, 76 c, 76 ay, 77 h, 77 x,
77 aa, 77 ao

Josam Manufacturing Co.

76 p

Kaiser Engineers

60 m

Kings College, London. —

61 a, 61 k, 62 e, 62 f, 63 f,
63 g, 76 h, 77 z, 77 ba

Laboratoriet for Energiteknik

74 ab, 76 w

Lafayette College

71 be

M.A.N.-MWN

71 m, 71 w, 71 au,
72 aq, 74 u

McDonnell Douglas Astronautics

68 c, 68 l, 68 u, 69 a, 69 x,
69 al, 70 v, 70 x, 71 i, 71 ao,
71 ba, 72 b, 72 d, 72 m, 72 ak,
72 an, 73 q, 73 w, 74 o, 74 n,
74 av, 75 r, 75 be, 76 r, 76 v,
76 as, 76 ay, 77 x

Mechanical Technology Inc.

72 v, 76 az, 77 b, 77 m,
77 s

Medtronic, Inc.

73 w

M.I.T.

68 r, 69 n, 69 o, 71 an,
73 ay

NASA-Lewis

61 i, 71 am, 77 p, 77 ab,
77 ao, 77 as, 77 at, 77 au,
77 av

National Bureau of Standards

77 ad

National Heart and Lung Institute

69 a1, 70 x, 71 b, 71 i,
71 j, 71 ba, 72 d, 72 ak,
72 an, 73 an, 74 av, 75 be,
76 as

National Research Council

61 j

Ohio University

69 h, 71 g, 73 t

Penn State College

58 g, 69 b

Philips, Eindhoven

43 b, 46 c, 48 j, 48 k, 49 d,
49 e, 49 f, 49 g, 49 h, 49 i,
49 j, 50 b, 50 c, 50 d, 51 g,
51 h, 51 i, 51 j, 51 k, 51 l,
51 m, 51 n, 51 o, 51 p, 52 j,
52 k, 52 l, 52 m, 52 n, 52 o,
52 p, 52 q, 52 r, 52 s, 53 d,
53 f, 53 g, 53 h, 53 i, 53 j,
54 d, 60 c, 60 e, 63 e, 64 i,
65 b, 65 g, 65 h, 65 x, 66 k,
68 d, 69 e, 69 r, 70 d, 70 u,
71 e, 71 f, 71 m, 72 a, 72 ah,
73 d, 73 h, 74 c, 74 d, 74 u,
75 f, 75 h, 75 m, 76 f, 77 bb,
00 a

Philips, North American

57 g, 57 k, 58 c, 58 h, 58 i,
59 d, 59 h, 59 l, 59 m, 65 v,
66 l, 67 e, 70 h, 71 l, 71 p,
71 v, 73 x, 74 b, 74 w, 75 b,
75 m, 76 e, 76 am, 77 f, 77 v,
77 y, 77 ax

Purdue University

68 r, 71 aj, 71 ak

RCA

72 af

Reactor Centrum Nederland

66 d

Rocketdyne

64 c, 65 c, 67 c, 67 d

Roesel Lab

74 s

Stanford University

50 a, 76 ak

Stone and Webster Engineering Corp.

71 ak

Sunpower

75 n, 75 s

Syracuse University

64 d, 65 d

TCA Stirling Engine Research
and Development Company

70 g, 72 u

Thermo Electron Corporation

71 b, 72 d, 74 ba, 76 bc

United Stirling

70 o, 71 m, 71 ah, 73 s, 74 z,
75 j, 77 i, 77 j, 77 al, 77 am,
77 bj

University of Calgary

68 n, 69 q, 70 g, 71 n,
72 j, 73 j, 73 m, 73 u,
73 v, 76 ax

University of Florida

65 o

University of London

67 f

University of Michigan

68 b

University of Tokyo
61 m

Washington State University,
Medical College
77 x

University of Wisconsin
60 j, 61 b

Wayne State University
72 r

University of Witwatersrand
75 w, 76 i, 76 x, 76 y,
77 c, 77 d, 77 e, 77 g

Westinghouse
73 ax, 76 am, 76 ao, 76 ap

Table 8-4
Classification of Stirling Engine References

<u>Code</u>	<u>Meaning</u>
A0	General Stirling Engine News <u>Intended or Actual Heat Source</u>
A1	Liquid or Gaseous Fuel
A2	Nuclear Reactor
A3	Radioisotope
A4	Solar Heat
A5	Solid Fuel
A6	Stored Thermal Energy
A7	None of Above
<hr/>	
	<u>Type of Engine</u>
	Displacers only engines
B1	VM cycle
B2	Thermocompressor
	Displacer - piston engines
B3	inline

- B4 offset
- B5 Dual Piston Engines
- B6 Crank Operated Displacer
- B7 Free Displacer (not crank)
- B8 Crank Operated Power Piston
- B9 Free Power Piston (not crank)

Intended or Actual Useful Output

Mechanical Power

- C1 Vehicle
- C2 Other
- Pumping
- C3 Heat (refrigeration)
- C4 Liquid
- C5 Gas
- C6 Other
- C7 Electric Generation

Design Considerations

- D1 System Studies
- Engine
 - Thermodynamic
 - D2 1st Order
 - D3 2nd Order
 - D4 3rd Order
 - Mechanical
 - D5 Efficiency

- D6 Sealing
- D7 Engine Starting
- D8 Engine Control
- D9 Power Takeoff
- D10 Gas Transport
- D11 Materials of Construction
- D12 Other

Heat Transfer and Fluid Flow

- D13 Air Preheater
- D14 Working Gas Heater
- D15 Regenerator
- D16 Working Gas Cooler
- D17 Heat Rejection
- D18 Working Fluid Selection

Experimental Results

Full Systems

- E1 Vehicles
- E2 Other
- E3 Engines

Components

- E4 Seals
- E5 Mechanical Power Train
- E6 Control Mechanism
- E7 Air Preheater
- E8 Working Gas Heater

E9	Regenerators
E10	Working Gas Cooler
E11	Heat Rejection
E12	Working Fluid Tests
E13	Material Tests

Table 8-5
Paper Numbers Related to Each
Stirling Engine Subject Classification

A0	<u>General Stirling Engine News</u>	<u>Intended or Actual Heat Source</u>
	1875 b	
	1885 a	
	1888 a	
	1899 a, b	
	1911 a	
	1917 a, c	
	1947 d, e	
	1948 a, f, g, h, i	
	1950 e	
	1955 a	
	1957 b	
	1959 k	
	1962 i	
	1963 k, l, m	
	1965 p, q	
	1967 j	
	1968 q, t	
	1969 ao	
	1970 i, n	
	1971 r, y, z, aa, af, ai, ar, av	
	1972 p, s, ai, aj	
	1973 e, f	
	1974 ai	
	1976 ac	
	1977 aa, ai, ar	
		<u>A1 - Liquid or Gaseous Fuel</u>
		1903 a
		1906 b
		1946 d
		1961 m
		1963 i
		1966 e, g
		1967 f
		1968 p, z
		1969 f, v, z, ab
		1970 c, d, j, k, l, o
		1971 c, d, e, f, w, x, ab, ag
		1972 a, r, af
		1973 c, d, h, j, o, y, aj, ao
		1974 ae, bc, bd
		1975 j, z, ao, bd, bg
		1976 d, g, o, ae
		1977 i, j, n, t, w, ab, ad, bj, bk

A2 Nuclear Reactor

1975 ao—
1977 a, f

A3 Radioisotope

1964 j
1965 y
1966 d, f, n
1967 i
1968 h, j, k, l, s, x,
y, ab
1969 i, aa, aj, ak
1970 r, t, v
1971 a, b, i, j, az, ab
1972 c, d, e, f, h, j,
k, l, m, ak, an
1973 c, d, j, am, at,
ax
1974 au, av, ax, ay,
az, ba
1975 l, p, r, y, ab,
ai, au, ax, ba,
be
1976 j, r, s, v, ag,
aj, am, aq, au, ay

A4 Solar Heat

1960 b
1961 e
1962 n
1965 o, u
1966 c
1967 b
1968 x
1970 q
1971 g, h
1973 j
1974 u, bb
1975 n, q, ac
1976 e, k, m, o, af,
aw
1977 u, ac

A5 Solid Fuel

1816 a
1853 a
1871 b
1875 a
1889 a
1973 j
1975 n
1976 f, o
1977 u

A6 Stored Thermal Energy

1962 g
1968 h, l, v
1969 f, t, z, ap
1970 o, t, x
1971 i, ac
1972 ak, an
1973 c, d, j
1974 e, av
1975 ae, ao, be
1976 c, o, p, ae, am,
ay

A7 None of Above

1961 d, h
1968 e, l
1969 f, g
1970 d
1973 c, d, x
1974 u, af
1975 f, h
1976 ak, ao, ap
1977 f, ae

Type of Engine

B3 Continued

Displacers Only Engines

B1 VM Cycle

1918 a
1952 c
1961 h
1968 x
1969 aa
1970 g, h, ac
1971 l, am, bf
1972 t, z, af
1974 l, y
1975 a, b, ac
1976 l

B2 Thermocompressor

1949 a
1957 f
1962 c
1968 e, h, l, u, ak
1969 a, i, r, x
1970 f, r, v
1971 a, i, j, az
1972 b, k, ak, al
1973 r, at
1974 m, x, au, aw, bb
1975 p, v, ap, au, ba
1976 t, u, aj, al, aq,
ay, bc
1977 c, h

Displacer - Piston Engines

B3 Inline

1816 a
1827 a
1840 a
1853 a
1880 b
1888 b, c
1897 a
1903 a
1906 a
1913 a
1914 a

1932 b
1937 a
1947 c
1951 f, l
1952 d, f, g
1953 f
1954 f
1955 c
1956 d, e
1957 i
1958 i
1959 c, d, f, h
1960 e, j, t
1961 c, e
1962 e, f, i, n
1963 e, f, i, r
1965 f, l, u, v
1966 g
1967 c, f
1968 a, i, k, l, y,
z, ad
1969 a, e, f, h, v,
ab
1970 a, d, g, j, o,
v
1971 c, d, e, f, g,
l, p, v, x, ab,
ac, ag, ao, aq
1972 f, m, t, x
1973 b, c, d, h, j,
p, al, as
1974 r, ac, ad, ax,
ay, az, bc
1975 n, t, x, af, ao,
ay
1976 a, b, e, j, n, z,
ae, am, ax, az, ba
1977 e, i, j, m, ab, ar,
ax, bg

B4 Offset

1879 a
1880 a
1889 a
1906 a
1947 c
1951 f

B4 Continued

1959 c
1960 j
1961 e
1966 c, o
1968 k
1970 p
1973 j
1974 bd
1975 ai, bg
1976 c, n, p, r, v, ax
1977 e, k

B5 Dual Piston Engines

1833 a
1853 b
1854 b
1871 b
1881 a
1905 a
1919 a
1938 b
1946 a
1947 b, c
1948 k
1949 c
1952 s
1954 e
1957 k
1958 a
1959 c
1961 d
1962 l
1963 e, h
1965 b, f, l
1966 k, m
1967 c
1968 g, r, w
1969 f
1970 d
1971 c, d, w, x, ag
1972 c, ar
1973 j, y, ay
1974 ae
1975 af, ap, bd, bf
1976 d, g, k, m, o, q
1977 c, e, g, h, i, j,
ae, aq, bb, bj

B6 Crank Operated Displacer

1816 a
1853 a
1880 b
1888 b, c
1897 a
1903 a
1906 a
1913 a
1932 b
1946 a
1947 c
1949 b, c
1951 f
1952 b, f, g
1954 f
1955 c
1956 d, e
1957 i
1958 i
1959 c, d, f, h, n
1960 e, j, t
1961 c, d, e
1962 i, l, n
1963 f, i, r
1964 f
1965 f, l, m, u
1966 g, m, o
1967 f
1968 a, f, k, ad
1969 a, e, f, r, v, ab
1970 a, d, h, j, o, p, v
1971 c, d, e, f, l, v, w,
x, ab, ac, ag
1972 f, j, m, q, an
1973 c, d, h, j
1974 m, ax, ay, az,
bc, bd
1975 ab, af, ai, an, ao,
ap, av, ay, bd, ag
1976 a, b, c, e, j, n, p,
ae, am, ax, az
1977 c, h, ab, aj, ar, ax
0000 c

B7 Free Displacer (not crank)

1968 h, i, z
1969 a, h, ak
1970 p, r

B7 Continued

1971 g, i, ao, aq, ay, az
1972 b, j, k, m, x, y
1973 b, j, p, t, u, al,
as, at
1974 f, g, j, o, p, q,
r, ac, ad, au
1975 n, o, q, r, s,
v, x, z, ad, au,
be
1976 k, r, v, z, ak,
aq
1977 a, b, i, j, m, r,
s, t, u, ac

B8 Crank Operated Power Piston

1816 a
1853 a
1871 b
1880 b
1881 a
1888 b, c
1889 a
1897 a
1903 a
1906 b
1913 a
1932 b
1946 a
1947 c
1949 b, c
1951 f
1952 c, d, f, g
1954 e, f
1955 c
1956 d, e
1957 i
1958 a, h, i
1959 c, d, f, h, i,
j, n
1960 e, j, t
1961 c, d, e
1962 i, l, n
1963 f, h, i, r, s
1965 b, f, l, u
1966 c, g, j, k, m, o
1967 c, f

B8 Continued

1968 a, f, k, l, w, y,
ad
1969 a, e, f, v, ab
1970 a, d, h, j, o, p,
s, v
1971 c, d, e, f, l,
t, v, w, x, ab,
ac
1972 c, f, j, m, q, af,
ar
1973 c, d, h, j, al,
ay
1974 m, r, ae, ax, ay,
az, bc, bd
1975 t, ab, af, an, ao,
ap, av, ay, bd, bf,
bg
1976 a, b, c, d, e, g,
j, n, p, q, r, v,
z, ae, am, ax, az,
ba
1977 c, h, k, q, ab, aj,
aq, ar, ax, bb, bg
0000 c

B9 Free Power Piston (not crank)

1968 i, z
1969 a, f, h, ac
1970 d
1971 c, d, g, k, ag,
ao, aq, ay
1972 j, m, x, y, ad
1973 b, j, p, t, u
1974 f, g, j, o, p, q,
ac, ad
1975 n, o, q, r, s, x,
z, ad, ai
1976 k, m, ak, hb
1977 a, b, m, r, s, t,
u, ac

Intended Or Actual Useful Output

Pumping

Mechanical Power

C3 Heat (refrigeration)

C1 Vehicle

1946 b
1960 i, n
1965 y
1967 f
1968 a, f, aa
1969 c, d, f, j, w,
y, z
1970 a, c, d, j, k,
i
1971 c, d, m, u, w, x,
ab, ac, ad, ag,
al, as, au, aw,
bc, ba
1972 a, m, o, v, w, aa,
ab, ac, aj
1973 c, d, g, h, j, n,
y, ac, af
1974 a, d, e, t, ag,
ah, an, aq, ar,
bc
1975 m, s, t, u, ae,
am, ao, aq, ar,
bd
1976 a, c, d, g, aa,
ad, ae, ai, an
1977 i, j, n, ab, ah,
ap, aq, bk, bm
0000 c

C2 Other

1946 d
1952 s
1957 d, e
1961 m
1966 g
1969 m
1970 p
1973 au
1976 b
1977 ah

1850 a
1874 a
1938 b
1942 b
1946 d
1949 c
1951 f
1952 c, e, g, n
1953 c
1954 b, e, f
1955 b, c, e, f, g
1956 d, e, f
1957 f, h, i, j
1958 f
1959 d, h, j, n
1960 c, d, h
1961 c, h, l
1962 b, f
1963 c, h, n, o, q
1964 d, f, i, k
1965 b, d, f, j, l,
n, v, x, z
1966 i, k, l
1967 f
1968 d, e, g, r, w,
x, ad
1969 l, aa, ai, al, _____
an
1970 h, v, x, ac, ax,
bn
1971 b, l, p, s, v,
ak, ba, bf
1972 d, e, f, t, y,
z, ae, af, am,
an
1973 j, o, p, aa, ae,
ap, aq, at, au,
ax
1974 l, o, y, ak, am,
ao, as, av
1975 b, e, q, x, ac,
af, ag, aj, ak,
as, ay, be
1976 l, ab, ar, as, ax
1977 f, h, n, r, t, w,
ad, ax, bn
0000 c, d

C4 Liquid

1906 a
1962 c
1967 f
1968 c, e, h, j, l,
u
1969 i, af, ak
1970 k, r, t
1971 a, g, i, j, ao,
ap, ay, az
1972 f, h, k, m, x,
ak
1973 b, r, w, al, am,
ax
1974 n, o, p, q, r, v,
w, x, au, aw, ax,
ay, az, ba
1975 c, g, r, ab, ad,
ai, au, ax, ba
1976 k, m, q, r, s,
v, aj, al, am,
aq, au, ay
1977 c, n, v, x
0000 d

C5 Gas

1939 a
1962 m
1974 bd
1975 bg
1977 h, n

C6 Other

1973-x

C7 Electric Generation

1960 f
1962 i, n
1963 i
1964 j
1965 k, u
1966 c, f, n
1967 b, f, i
1968 f, v
1969 aj
1970 e, v
1971 h
1972 m
1973 b, j, p, q, v
1974 f, g, j, k, ac,
ad, af, bb
1975 l, n, y, z, aa
1976 j, aw
1977 a, b, f, m, n,
s, u, ac, aj,
bj, bo

Design Considerations

D1 System Studies

1963 j
1967 b, k
1968 b, o, r
1969 d, x, aa
1970 b, o, w
1971 bb
1972 c, e, h, t, ao,
ap
1973 j, v, ak, ar
1974 l, q, ap, at
1975 a, e, t, az, bb
1976 c, d, j, o, ah,
as, aw
1977 r, s, ac, aj, al,
as, bb, bc

Engine

Thermodynamic

D2 1st Order

1871 a
 1890 a
 1946 d
 1952 b
 1953 b
 1954 e
 1956 c
 1958 b, g
 1960 c, e, j, k, l
 1961 e, h, l
 1962 e
 1963 n
 1965 i, j, u, w, x
 1967 a, h
 1968 c, k, u
 1969 b, e, h, ag
 1970 v
 1971 ao, ap
 1972 j, af
 1973 d, j, m, p, u,
 ad, ah, au, av
 1974 i, al, ao, bb
 1975 o, w, ai
 1976 y, ao, ap, aw, ax
 1977 e, g, ae, ak, an,
 ao, ay, az

D3 Continued

1968 m, x
 1969 a, aa
 1970 g, aa, ab, ac
 1971 am, be
 1973 q, z, aw
 1975 d, ac, ag
 1976 l
 1977 b, ao, be

D4 3rd Order

1952 b
 1961 b
 1962 h
 1963 a
 1964 b
 1965 c
 1967 c, d, n
 1969 am
 1970 g
 1972 u
 1973 j, l
 1974 ab
 1975 al
 1976 h, i, w
 1977 d, z, af, ao,
 ba, bl

D3 2nd Order

1852 a
 1946 a
 1955 c
 1959 e
 1960 c
 1961 k, m
 1962 c, d, f
 1963 f
 1964 c
 1965 a

Mechanical

D5 Efficiency

1947 b
 1954 e
 1960 d, j
 1967 h, i
 1969 e
 1970 v
 1974 m
 1976 ao, ay, ba
 1977 a, q

D6 Sealing

1946 a
1948 j
1960 t
1962 n
1965 b, f, h, u
1967 e, g
1968 e, f
1969 e
1973 b
1974 ag, av, bc
1975 b, be
1976 c, l, ae, ba, bb
1977 b, v

D7 Engine Starting

1962 n
1966 c
1973 b, q
1974 ag
1975 f
1976 c
1977 q

D8 Engine Control

1943 b
1949 e
1950 b
1951 n, p
1952 h, q, r
1953 h
1955 d
1956 b
1957 g
1959 m
1960 s
1962 n
1967 f
1969 al
1970 s

D8 Continued

1971 b, j, ac, ba
1973 b, q, ai
1974 c, av
1975 ao
1976 c, al, ba
1977 q, v
0000 c

D9 Power Takeoff

1920 a
1951 h, i, m
1952 j
1957 c
1959 l
1960 e, o, p, q
1962 f
1969 e, q
1972 af
1973 b, p, q, w, y
1974 c, v
1975 b, bc, be
1976 ba
1977 b

D10 Gas Transport

1920 a
1952 n
1965 a, m
1971 l, s, ap
1973 b
1977 b

D11 Materials of Construction

1953 g
1957 h
1971 l
1973 ax, ay
1974 h
1975 t
1976 ao, bb
1977 b, v, y

D12 Other

Heat Transfer and Fluid Flow

D13 Air Preheater

1947 b
1951 j
1968 p
1971 q
1974 bc
1976 ae, bb
1977 l, o, p, ab
0000 c

D14 Working Gas Heater

1926 a
1943 a
1946 c
1948 b
1949 d, h, i, j
1950 b, c, d
1951 g, k, o, p
1952 d, f, h, k, l,
m, o
1953 d, i, j
1954 d
1957 d
1959 a
1960 p, r
1962 c
1965 a, u
1966 b, p
1967 m
1969 aa
1971 af
1973 s, y, ab, aj
1974 s, u, z, aa
1975 f, i, j, k, ac
1976 ao, av
1977 b, z

D15 Regenerator

1917 b, d
1927 a
1928 a
1929 a, b, c
1930 a
1931 b
1932 a
1934 a
1938 a
1940 a
1942 a
1943 a
1947 a, b
1948 c, d, e
1949 d, f, g
1950 a, c, d
1951 a, b, c, d, e, q
1952 a, c, m
1953 a, e, g
1954 c, f
1956 a
1957 a, h, i
1958 i
1959 b, g, i
1960 g
1961 a, f, g, i, j, k,
n
1962 a, b, c, f, j
1963 b, d, f, g
1964 a, e, g, h
1965 a, j, r
1966 h, k
1967 c, l
1968 e, r, ac
1969 n, p, aa, ah
1970 m, u, y, z
1971 l, o, s, aj, ak,
an
1972 i
1973 j, l, ax
1974 m, aa, bc
1975 d, i, ac, aw
1976 x, ab
1977 a, p, ab
0000 a

D16 Working Gas Cooler

1913 a --
1948 b
1950 c, d
1952 d, i, k, p --
1954 d
1956 f
1957 j
1958 d
1959 a
1960 r
1965 a
1966 b, p
1967 m
1969 aa
1970 e
1973 s, ab
1974 s, aa
1975 i, ac
1976 av
1977 z

D17 Heat Rejection

1948 b
1958 d
1960 j
1969 aa
1972 ah
1974 av

D18 Working Fluid Selection

1931 a
1957 i
1958 h
1959 n
1960 j
1963 n
1964 f
1965 j
1966 c, e
1967 e, h
1969 b, ag
1971 a
1972 v

D18 Continued

1973 m, ag
1974 ao
1975 ao
1976 ak, ap, ba
1977 a, d, q

Experimental Results

Full Systems

E1 Vehicles

1969 z
1970 o
1971 m
1972 a
1976 g, bb
1977 a, f, i, k, --
al, am, aq,
bj, bk

E2 Other

1962 n
1969 k
1971 f
1972 a, w
1973 a
1976 am
1977 m, t

E3 Engines

1874 a
1889 a
1954 f
1955 c
1958 e
1959 e, f
1960 a, e, m, u
1961 m
1962 c, k, o
1963 g
1964 d, i
1965 b, d, e, g,
l, o, t

E3 Continued

1966 j, k
1968 e, j, l, m, n,
p, u, x, y, ad
1969 e, f, i, o, x,
ad, ae, al
1970 a, h, j, v, x
1971 c, e, g, j, m,
p, ap, ba
1972 b, d, l, m, af,
ar
1973 b, c, d, h, q,
r, w, ao, ax,
ay
1974 b, c, g, n, p,
w, ae, av, ba,
bc
1975 a, b, p, ai, aj,
as, ay, be
1976 c, e, r, v, ae,
ak, al, as, ay,
bc
1977 b, c, h, i, j, k,
v, ad, ag, av,
aw, ax, bd, bf,
bh, bi, bp

Components

E4 Seals

1961 m
1962 n
1967 e
1971 i
1973 c, ax
1974 l
1975 a
1977 au, bj

E5 Mechanical Power Train

1969 q
1971 i, l
1972 b, m
1973 c, d, q, t
1976 b
1977 bj

E6 Control Mechanism

1967 f
1968 ad
1969 h
1971 e, aj
1972 a, m, w
1973 c, d, h

E7 Air Preheater

1964 l
1965 s
1970 z
1971 f
1972 r, ag
1973 d
1974 aj
1975 ak
1977 f

E8 Working Gas Heater

1961 m
1964 l
1969 k
1970 d
1974 l

E9 Regenerators

1874 a
1954 a
1959 g
1961 g, m, n
1964 l
1967 l
1968 u
1970 y
1971 i, n
1973 l
1974 l, bc
1977 bg

E10 Working Gas Cooler

1964 l
1971 l
1974 l

E12 Working Fluid Tests

1969 s
1973 b, c -

E11 Heat Rejection

1964 l
1972 ah
1973 c, d -
1977 b

E13 Material Tests

1970 u
1971 n, p
1972 b
1976 as
1977 at

9. DIRECTORY

A relatively small number of individuals and organizations are now actively doing anything with Stirling engines. The author hopes that this manual will encourage other individuals and possibly companies to become active in Stirling engine development. To aid in this process, the following directory is offered. Organizations are listed by their company name and the name of the head is given. Individuals and groups associated with universities are listed by the name of the head individual. The organizations and individuals will now be listed in alphabetical order.

Aerojet Liquid Rocket Company
P.O. Box 13222
Sacramento, California 95813

Contacts: John Moise
Larry Hoffman

Aerojet has been working since 1967 on a small thermocompressor type Stirling engine to power an artificial heart. As the free displacer oscillates, check valves pump helium through the engine. It produces 5 watts of pneumatic power at 18% overall efficiency.

About 10 people are employed on the project.

AGA Navigation Aids Limited
77 High Street
Brentford
Middlesex TW8 OAB
England

Contacts: Mr. K. C. Sutton-Jones
Mr. N. Spottiswoode

This Company, a Subsidiary of Swedish AGA, concentrates on marine navigational aids, and has a large part of the World market. The Company is sponsoring development and application of the Harwell Thermo-Mechanical Generator, and is contracted to install a 60-watt version of this generator in a major lighthouse on the Irish Coast.

Amtech Incorporated
141 California Street
Newton, MA 02158

Contact: Dr. Larry C. Hoagland, Director of Research

Amtech Incorporated Continued

Current work is under DOE Contract No. EC-77-C-05-5392, "Technology Evaluation of the Stirling Engine for Stationary Power Generation in the 500-2000 Horsepower Range".

Energy Research and Generation, Inc.
Lowell and 57th Streets
Oakland, California 94608

Contact: G. M. Benson, Director R, D & E

ERG has been developing for over ten years resonant free-piston Stirling-type machines (Thermoscillators) including hydrostatic drives, linear alternators, heat pumps, cryogenic refrigerators and gas compressors. In addition, development has continued on a cruciform variable displacement crank-type Stirling engine having a Rinja arrangement. ERG is performing R & D on heat exchangers, heat pipes, isothermalizers, regenerators, gas springs, gas bearings, seals materials (including silicon nitride and silicon carbide), and computer modeling as well as on linear motors and alternators, hydraulic drive components and external heat exchangers and heat sources (including combustors and solar collectors). ERG has built and tested several test engines and presently has separate electro-mechanical, hydraulic, engine and heat exchanger test cells. ERG sells heat exchangers, regenerators, linear motor/alternators, linear motoring dynamometer test stands, gas springs/bearings and dynamic seals. ERG plans to sell soon an oil-free isothermal compressor with linear motor drive and small thermoscillators and laboratory demonstrations. The current status on ERG Stirling engines is given in references 77 a and u.

Dr. Benson reports that 5 people are now working solely on corporately funded Stirling engine programs.

Entwicklungsgruppe Stirling Motor M.A.N.-MWM
M.A.N. Werk, Augsburg
D8900 Augsburg 1
Stadtbachstrasse 1
West Germany

Contact: Dr-Ing. F. A. Zacharias

M.A.N.-MWM is a licensee of Philips and cooperate with Philips on some few projects. M.A.N.-MWM is following an independent course drawing on their experience as makers of Diesel engines. The 1973 information from JPL who visited there in 1974 (75 t) indicates that they are using double-acting, crank-operated pistons in an in-line or in a Vee arrangement. The heater tubes are investment cast, some with fins. The tubes are arranged in a line instead of a ring as employed by United Stirling. They use a straight accordion folded counter-flow air preheater arranged in parallel

Entwicklungsgruppe Stirling Motor M.A.N.-MWM Continued

to the straight heater tube banks. Apart from the usual pressure level control by working gas compressor they have followed up a unique form of power control called intermittent short circuit control. For part of the time during compression and also expansion a valve is opened connecting the working space to the buffer space. The fraction of the time determines the power. "Very quick engine response, moderate efficiency under partial load and moderate construction costs are expected from this form of control." (OO. c)

Together with Battelle Institute, Frankfurt, they have a concept of a hydrostatic drive mechanism with a stroke regulating control. Best partial load efficiencies are expected.

Due to another source it is known that M.A.N. in cooperation with Philips have realized a Stirling engine heating system by Li-SF₆ combustion via heat pipes.

At present about 40 people are employed in the group.

Fairchild Industries
Germantown, Maryland

Contact: Al Schock

Fairchild has a contract with DOE to perform technical services. One important thing has been that Al Schock has developed a 3rd order computer program to analyze the Beale free-piston engine that Sunpower is furnishing to MTI. Nothing has so far been published.

About 2 people are working on Stirling engines.

FFV Industrial Products
Sweden

See: Stirling Power Systems Corp.

FFV is a Swedish government-owned industrial group who is 50% owner of United Stirling. Independent of United Stirling, but using United Stirling technology, they have built a medium performance engine generator set which operates very quietly for commercial and military applications. The first technical paper on this product will be released in late 1978 and the engine-generator will be for sale to the general public in 1979. The product will be sold in the United States by Stirling Power Systems Corp.

FFV now employs 50 people on the Stirling engine project.

Ford Motor Company
Powertrain Research Office
Dearborn, Michigan

Contact: Norman D. Postma

Since 1971, the Ford Motor Company has been working with N.V. Philips Company of Holland evaluating Stirling engines for automobile propulsion. The promise of this development is given in reference 73 h. The present status is presented in Section 3.1. Ford is a licensee of Philips. The program at both Dearborn and Eindhoven was designed to put two Stirling engines into Ford Torino automobiles for evaluation of vehicle performance, economy, emissions, etc. Ford is now working on a \$161 million cost sharing contract with DOE to go from 1 Oct. 1977 to 30 Sept 1985. The goal of this program is to determine whether or not the Stirling can be an attractive automobile engine.

Currently Ford has about 50 employees working directly on the first task of the DOE program which requires a high confidence assessment of the Stirling engine fuel economy potential.

General Electric, Advanced Energy Programs
Valley Forge Space Division
Valley Forge, Pennsylvania 19481

Contact: Mr. J. A. Bledsoe

GE is developing a Stirling Radioisotope Power System (SIPS). North American Philips is doing the engine (76 j). Plutonium-238 oxide is the fuel and 1000 w(e) is the power.

Contact: Mr. L. Dutram

Also on a separate program GE is continuing a development program started at Sunpower of a gas heated free piston, free-displacer Stirling engine operating a Freon compressor (77 w). They plan to build and test a three ton cooling capacity prototype by 1979. The project is sponsored by the American Gas Association, the Department of Energy and General Electric.

Forty people are working on Stirling engines at General Electric.

John I. Griffin
Solar Engines
2937 West Indian School Road
Phoenix, Arizona 85017

Mr. Griffin is building and selling model Stirling engines. He has one on the market now and plans to market 6 more models over the next two years. Three thousand of the first model have already been sold as of 31 Jan 1978.

Harwell Laboratory
Instrumentation & Applied
Physics Division
AERE
Harwell
Oxfordshire OX11 0RA
England

Contact: Mr. E. H. Cooke-Yarborough

Work at Harwell is concentrated on Stirling-cycle devices which do not use rotation or sliding surfaces. The primary object of this work has been to generate electricity from heat. The machine which has been evolved has a springmounted displacer oscillating at a frequency in the region of 100Hz in helium, and a metal diaphragm to translate the resultant gas pressure changes into a mechanical movement having an amplitude of the order of 1mm. The oscillating hub of the diaphragm is coupled to a special alternator in which a permanent magnet vibrates between two pole pieces carrying windings on which the alternating output voltage is generated.

A number of thermo-mechanical generators giving an alternating power output in the region of 30W have been built. One of these has been in service since the summer of 1975, to provide the power for the UK National Data Buoy. Seven machines have been built, one with a heat-to-electricity efficiency of 16.9%.

Development sponsored by AGA Navigation Aids Limited has resulted in the up-rating of this design to 60W. During 1978 AGA will install a 60-watt TMG as the main power source in a major lighthouse off the Irish Coast.

A further development, which stemmed from the work on the TMG, is the Fluidyne, which uses an oscillating column of liquid as a displacer, and another liquid column, oscillating under the influence of the gas pressure changes, to provide the power output. This system is well adapted to the pumping of liquids. Construction and operation are relatively simple, and this has potentialities for water-pumping in developing countries. An experimental machine has pumped at a rate in excess of 60 gallons per hour.

The current program is aimed at improving the power output and efficiency of the TMG to meet specific requirements of users. It is also aimed at adapting the Fluidyne to meet specific user requirements.

The equivalent of two people are now working on Stirling engines at Harwell.

Hughes Aircraft Company
Centineia & Teale Streets
Culver City, California 90230

Contacts: Dr. Bruno Leo
Mr. Richard Doody

Hughes Aircraft Company Continued

Hughes Aircraft Company has been developing Stirling type cryogenic refrigerators since 1960 and a family of these units have been developed for ground, air and space applications. Currently, emphasis is being placed upon Stirling and Vuilleumier refrigerators including special modified versions of each to meet the specific needs of various applications.

About 45 people are involved in Stirling type cryo cooler development.

Jet Propulsion Laboratory
4800 Oak Grove Drive
Pasadena, California 91103

Contact: Frank W. Hoehn

The Jet Propulsion Laboratory is currently working on a program to develop a Stirling Laboratory Research Engine which can eventually be produced commercially and be made available to researchers in academic, industrial, and government laboratories. A first generation 10 Kw engine has been designed, fabricated, and assembled. The preprototype engine is classified as a horizontally-opposed, two-piston, single-acting machine with a dual crankshaft drive mechanism. The test engine, which is designed for maximum modularity, is coupled to a universal dynamometer. Individual component and engine performance data will be obtained in support of a wide range of analytical modeling activities.

The laboratory is also sponsoring work on a 1 Kw, solar heated free-piston Stirling linear electric generator.

JPL did the study (75 t) which influenced DOE to concentrate their efforts on the Stirling engine and the Gas Turbine for future automobile engines.

Approximately 3-6 people support the Stirling engine-related activities at JPL.

Laboratoriet for Energiteknik
Danmarks Tekniske Højskole
Bygning 403 · DK-2800 Lyngby
Denmark

Contact: Professor Bjorn Qvale
Professor Niels Elmo Anderson

Due to Professor Qvale's thesis at MIT on Stirling engines and his subsequent interest in this field there have been a number of papers from this laboratory on Stirling engines. A recent letter states that almost no work is now going on in this field.

Professor W. R. Martini
Joint Center for Graduate Study
100 Sprout Road
Richland, Washington 99352

Professor Martini heads a group varying from 1 to 5 working on various basic aspects of Stirling engines. He is the author of the Stirling engine design manual. He also sends out the Stirling Engine Research Institute Newsletter. He is interested in determining the usefulness of isothermalizers in Stirling engine designs and in building a heat operated heat pump using two Stirling cycles. He started the artificial heart power source program at McDonnell Douglas and continues an interest in this program.

Mechanical Technology Inc.
968 Albany-Shaker Road
Latham, New York 12110

Contact: Bruce Goldwater

In conjunction with Sunpower MTI is developing a Free-Piston Stirling Linear Alternator power conversion system. They are aggressively expanding their own Stirling engine capability. They are working with United Stirling to demonstrate Stirling engines for automobiles as part of a major DOE funded study.

MTI currently has 20 people working on Stirling engines.

McDonnell Douglas Corp.
Richland Energy Laboratory
100 Sprout Road
Richland, Washington 99352

Contact: R. P. Johnston

Since 1967 this group has been developing miniature Stirling engines to power an artificial heart. The engine produces about 5 watts of hydraulic power from heat at about 18% efficiency. It employs a free displacer engine which applies pulsating gas pressure through a diaphragm to a freely oscillating oil pump. The engine is self starting and is controlled by a single valve adjustment.

Presently 11 people are employed on this project.

NASA-Lewis
21000 Brookpark Road
Cleveland, Ohio 44135

Contact: R. G. Ragsdale, Manager
Stirling Engine Project Office

NASA-Lewis has been given the project management responsibilities by DOE to produce improved Stirling engine propulsion systems during the next decade. They have obtained two GPU-3 Stirling engines and are testing one to obtain some publicly available information on Stirling engine performance.

They have negotiated the \$161 million contract with Ford Motor Co./Philips for development of Stirling and will negotiate a contract with MTI/United Stirling/American Motors for the same thing. They have sponsored the production of this Stirling engine design manual. They have a contract with Boeing and University of Toledo for evaluation of reciprocating seals. They are doing work on materials technology for both a metal and a ceramic Stirling engine. They have signed a contract with Illinois Institute of Technology Research Institute to measure hydrogen permeability in metals and ceramics. Near-term future plans are aimed at establishing a balanced, integrated mix of activities on improved engine development, advanced system definition studies and supporting research and technology.

Currently the equivalent of 20 people are working on Stirling engines at NASA-Lewis.

Mechanical Systems Section
Building Environment Division
Center for Building Technology
National Bureau of Standards
Washington D.C. 20234

Contact: Dr. David A. Didion

The initial work at NBS focused on the laboratory evaluation of a Philips 1-98 engine driving a Rankine cycle heat pump which used recovered engine heat to supplement its own capacity. The system was tested as a function of outdoor temperature, engine speed, and coolant temperature, and many of the results are presented in reference 77 ad. A subsequent analytical study was conducted on the performance of a variety of total energy configurations when powered by Stirling engines. This work will hopefully be presented at a future IECEC meeting. We are currently involved in developing a test and rating procedure for engine-driven heat pumps which will include Stirling engines.

One person is currently working on this project.

Dr. Allan J. Organ
Department of Mechanical Engineering
University of London King's College
Strand London, England
WC2R 2LS

Dr. Organ is a regular contributor since 1970 to the literature on Stirling engines. The recent ones have been highly mathematical. Those who have talked with him state that he is as much concerned with the mechanical part of the engine as he is with the heat transfer and fluid flow-part. He has a grant from the United Kingdom Science Research Council for an experimental program. His department intends to offer starting October 1978 a course-unit option (one engineering degree subject credit) in the thermodynamics and computer modeling of Stirling cycle machines. This course will be for final year engineering students.

N. V. Philips
Eindhoven
Netherlands

dr.ir. C. L. Spigt is in charge of the Eindhoven Stirling engine work -- about 100 people.

Dr. R. J. Meijer
439 Huntington Place
Ann Arbor, Michigan 48104

Dr. A. P. J. Michels
1828 Mershon
Ann Arbor, Michigan 48104

Science advisors to Ford
Motor Company on Stirling
engines.

The Philips Company was the first to recognize that the Stirling engine would be a useful prime mover if it were modernized. Philips has been publishing on Stirling engines since 1943. Almost all the companies developing Stirling engines for sale are licensees to Philips. These include United Stirling, FFV, M.A.N.-MWM, and The Ford Motor Company.

Philips has developed the rhombic drive Stirling and the 4 cylinder swashplate Stirling. They have perfected the oil backed roll sock seal. They have demonstrated very long life and very high efficiency in their machines. They have built engines to replace the automobile engine in size and power density. Besides developing engines that efficiently employ liquid fuel they have demonstrated machines that use coal, Li-SF₆, and stored thermal energy. Their Stirling engine cryogenic refrigerators are a commercial success.

Philips Laboratories, a division of
North American Philips Corporation
345 Scharborough Road
Briarcliff Manor, New York 10510

Contact: Alexander Daniels

Philips Laboratories have close association with the N.V. Philips Company of Holland, and have a number of programs.

They are working on the SIPS program with the General Electric Company (76 i) and they are doing a study for DOE on a total energy system using Stirling engines (77 f).

Fourteen people are working on Stirling engines at North American Philips.

Norman E. Polster
Argenta, B.C.
Canada

Mr. Polster has invented a self-starting, intrinsically controlled Stirling engine. In a demonstration model made at the Ontario Science Centre, a manually operated torque control level provides an instantaneous continuously controllable accelerating or decelerating torque, including zero torque for any shaft position, any shaft speed and direction including a stationary condition. Mr. Polster is joined with JOSAM Manufacturing Company, Michigan City, Indiana, in further developments. Some work has been done at the Joint Center for Graduate Study, Richland, Washington. (76 c)

Professor C. J. Rallis
School of Mechanical Engineering
University of Witwatersrand
1 Jan Smuts Avenue
Johannesburg 2001 South Africa

Professor Rallis currently leads a team of 6 graduate and undergraduate students in developing 2nd and 3rd order computations procedures and checking them with experiments. They are also doing basic work on pressure drop, time lag effects, and heat transfer in periodic flow heat exchangers. They are also experimenting with fluidyne machines and are consulting with Harwell on the analysis of the thermo mechanical converter

Professor Graham Rice
Dept. of Engineering & Cybernetics
The University of Reading
Whiteknights, Reading RG 6ZAY, England

Professor Rice has been involved in a number of interesting Stirling engine

Professor Graham Rice Continued

experiments at the University of Reading (75 k). He is involved in a proposed consortium to design and build a Stirling engine in the United Kingdom.

Ross Enterprises
37 West Broad Street
Suite #630
Columbus, Ohio 43215

Contact: M. Andrew Ross

Mr. Ross is a practicing attorney who is also a model engineer. He designs and builds his own machines in his own shop. He is also the author of a number of popular articles on Stirling engines (76 a, 76 b), and has an impressive collection of antique Stirling engines.

Professor J. Senft
Division of Science and Mathematics
Minot State College
Minot, North Dakota 58701

Professor Senft teaches mathematics, does research on Stirling and other heat engines, builds miniature engines in his own shop, and writes on engineering subjects. He has authored several articles on miniature Stirling engines in model engineering journals, and has also worked as analyst with the Sunpower group.

Professor J. L. Smith Jr.
Dept. of Mechanical Engineering
Massachusetts Institute of Technology
77 Massachusetts Avenue
Cambridge, Massachusetts 02139

Professor Smith is developing a valved hot gas engine which may have high torque at low speed like a Stirling engine but without the severe restrictions on heat exchanger dead volume inherent in the Stirling engine.

At this time, one graduate student is working with a test engine, concentrating on the periodic heat transfer between the working gas and the cylinder walls of the compressor and expander.

Stirling Power Systems Corp.
7101 Jackson Road
Ann Arbor, Michigan 48103

Contact: Mr. Lennart Johansson.

Stirling Power Systems is a marketing organization owned 80.5% by FFV a Swedish government owned industrial group and 19.5% by Thetford Company, a recreational vehicle equipment supply firm of Ann Arbor, Michigan. They will market the FFV engine-generator.

Sunpower Inc.
W. T. Beale, President
48 West Union Street
Athens, Ohio 45701

Sunpower is an out-growth of Professor William T. Beale's work at Ohio University on free-piston Stirling engines. Sunpower is working with MTI of Latham, New York on a DOE sponsored 2KW(e) space power plant using a free-displacer, free-power piston Stirling engine driving a linear alternator. Sunpower has also built a free-piston engine for NASA-Lewis.

A new small solar-electric engine designed by Sunpower is being tested. The target for this system is overall conversion efficiency from solar energy to usable electric power approximately twice as high as that of a silicon solar cell using concentrated sunlight.

Sunpower currently employs 12 people working on Stirling engines.

Trans Computer Associates
Dr. T. Finkelstein, President
P.O. Box 643
Beverly Hills, California 90213

Dr. Finkelstein has worked on Stirling engines for a number of companies. He is now an independent consultant and has his 3rd order computer code available for use. He conducts a short course on Stirling engines every year at UCLA. He is the authority on the history of Stirling engines.

United Stirling (Sweden) AB & Co.
Fack
201 10 Malmö 1, Sweden

Contact: Bengt Hallare, Corporate Planning and Marketing

United Stirling's program is well described in Section 3.2 of this manual. Briefly, they have designed a 40, a 75 and a 150 KW engine to be used in_____

United Stirling (Sweden) Continued

vehicles. Although a licensee of Philips, they have developed their own mechanical seal and their own engine designs, a crank operated Rinja arrangement.

United Stirling is identified along with Mechanical Technology Inc. and AM General as the "second team" to be funded by DOE to develop Stirling engines for automobiles.

United Stirling employs about 100 people working on Stirling engines.

Dr. Israel Urieli
Ormat Turbines
P.O. Box 68
Yavne, Israel

Dr. Urieli recently received his doctorate from the University of Witwatersrand on the subject of a third order analysis of a Stirling engine. He is lecturing part time at the University of Bersheva and is continuing his research on Stirling engines.

Professor G. Walker
Dept. of Mechanical Engineering
University of Calgary
Alberta, Canada

Professor Walker is measuring characteristics of reversing flow regenerators. He teaches courses on Stirling engines and is the author of an important book on Stirling engines. (73 j)

Westinghouse Electric Company
Advanced Energy Systems Division
P.O. Box 10864
Pittsburgh, Pennsylvania 15236

Contact: W. D. Pouchot

Westinghouse has been doing the system work and North American Philips has been doing the engine work on a DOE sponsored artificial heart program (76 am). The Stirling engine work was phased out in U.S. Governments Fiscal Year 1977.

APPENDIX A

DERIVATION OF EQUATIONS FOR HEAT FLOW FROM VOLUMES WHICH ARE HEATED UNIFORMLY

During expansion and compression of a gas, the gas temperature of the entire volume changes uniformly before thermal-conductivity makes a difference. Laser heating also approximates this. For the purpose of evaluation the equations will be derived for heat flow from a slab and from a cylinder.

From a Slab

In Figure A1 the gas is being cooled from both sides. The heat flow at x is:

$$Q_x = Q_w \frac{x}{(s/2)} = -k_G A \frac{dT}{dx} \quad (A1)$$

where Q_w = heat flow at wall, watts
 x = distance from centerline, m
 k_G = thermal conductivity of gas, w/m °C
 A = area for heat flow, m²
 T = gas temperature, °C

Integrating,

$$\frac{2Q_w}{s} \int_0^{s/2} x dx = -k_G A \int_{T_c}^{T_M} dT \quad (A2)$$

So

$$Q_w = \frac{4k_G A}{s} (T_c - T_M) \quad (A3)$$

However, we need to know the average gas temperature, T_A , instead of the centerline temperature, T_c . T_A is defined by the equation

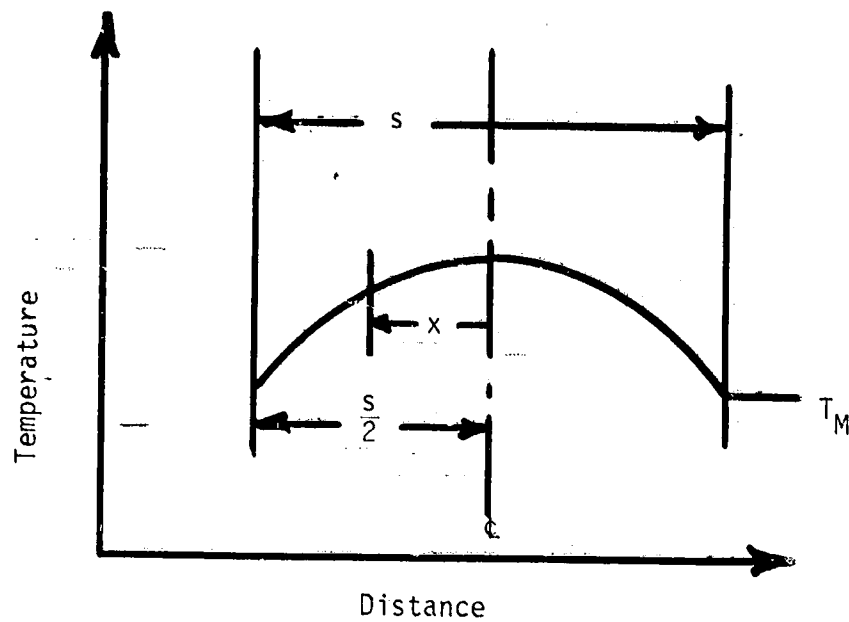


Figure A1. Assumed Gas Conduction in a Slab.

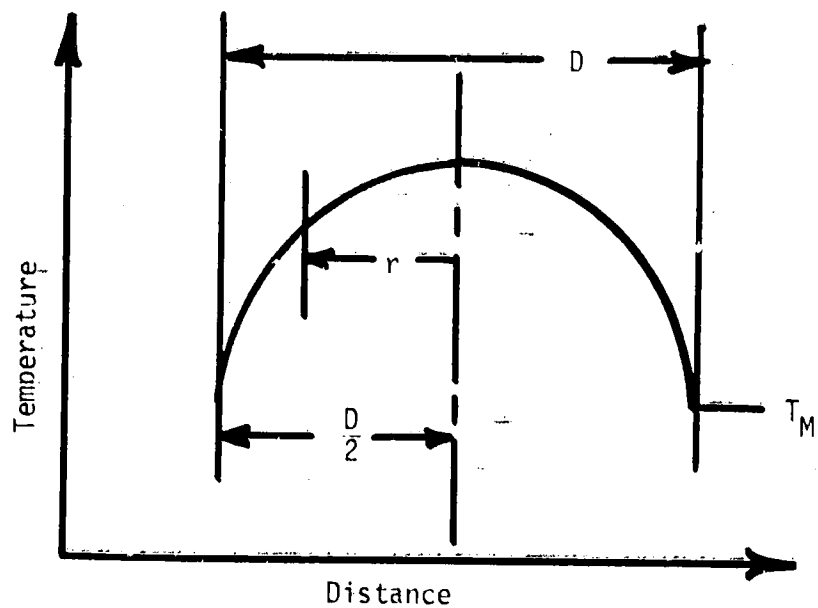


Figure A2. Assumed Gas Conduction in a Cylinder.

$$(T_A - T_c) \frac{s}{2} = \int_0^{s/2} (T - T_c) dx \quad (A4)$$

Using different limits on Equation A2:

$$\frac{2Q_w}{s} \int_0^x x dx = -k_G A \int_{T_c}^T dT \quad (A5)$$

$$\frac{2Q_w}{s} \frac{x^2}{2} = -k_G A (T - T_c) \quad (A6)$$

$$T - T_c = - \frac{Q_w x^2}{s k_G A} \quad (A7)$$

So

$$T_A - T_c = \frac{\int_0^{s/2} - \frac{Q_w}{s k_G A} x^2 dx}{s/2} = - \frac{Q_w s}{12 k_G A} \quad (A8)$$

From Equation A3

$$T_c - T_M = \frac{Q_w s}{4 k_G A} \quad (A9)$$

Therefore,

$$T_A - T_M = T_A - T_c + (T_c - T_M) \quad (A10)$$

$$= - \frac{Q_w s}{12 k_G A} + \frac{Q_w s}{4 k_G A} = \frac{Q_w s}{6 k_G A}$$

or

$$Q_w = \frac{6 k_G A}{s} (T_A - T_M) \quad (A11)$$

Also, from the standpoint of heat capacity,

$$Q_w = -\rho V C_v \frac{dT_A}{dt}$$

where ρ = gas density, kg/m^3

V = gas volume, m^3

C_V = heat capacity at constant volume, $j/kg \text{ } ^\circ C$

T_A = average gas temperature, $^\circ C$

t = time, seconds _____

From a Cylinder

In Figure A2 the gas is being cooled from the cylindrical surface. The heat flow at r is:

$$\dot{Q}_r = \dot{Q}_w \frac{\pi r^2}{\frac{\pi D^2}{4}} = -k_G (2\pi r \ell) \left(\frac{dT}{dr} \right)_r \quad (A12)$$

where ℓ = length of cylinder.

Integrating:

$$\int_0^{D/2} \frac{4\dot{Q}_w r^2 dr}{D^2 (2\pi r \ell k_G)} = - \int_{T_\ell}^{T_M} dT \quad (A13)$$

$$\frac{2\dot{Q}_w}{\pi \ell k_G D^2} \left[\frac{r^2}{2} \right]_0^{D/2} = - \left[T \right]_{T_\ell}^{T_M}$$

$$\frac{\dot{Q}_w D^2}{\pi \ell k_G D^2 4} = T_\ell - T_M$$

$$\frac{\dot{Q}_w}{4\pi \ell k_G} = T_\ell - T_M \quad (A14)$$

However, what is needed is the integrated average gas temperature, T_A . By definition,

$$(T_A - T_\ell) \frac{\pi}{4} D^2 = \int_0^{D/2} (T - T_\ell) 2\pi r dr \quad (A15)$$

Using different limits for Equation A13,

$$\frac{2Q_w}{\pi \rho k_G D^2} \int_0^r r dr = - \int_{T_L}^T dT \quad (A16)$$

or

$$\frac{Q_w r^2}{\pi \rho k_G D^2} = T_c - T \quad (A17)$$

Substituting into Equation A15,

$$(T_A - T_L) \frac{\pi}{4} D^2 = \int_0^{D/2} - \frac{Q_w r^2}{\pi \rho k_G D^2} 2\pi r dr = - \frac{2Q_w}{\rho k_G D^2 \pi} \int_0^r r^3 dr \quad (A18)$$

$$T_A - T_L = - \frac{2Q_w (4)}{\rho k_G D^2 D^2 \pi} \left[\frac{r^4}{4} \right]_0^{D/2}$$

$$= - \frac{2Q_w (4) D^4}{\rho k_G D^4 \pi (4) (16)}$$

$$= - \frac{Q_w}{8 \rho k_G \pi} \quad (A19)$$

Therefore:

$$T_A - T_M = T_A - T_c + T_c - T_M \quad (A20)$$

Substituting Equation A14 and A19 in Equation A20:

$$T_A - T_M = - \frac{Q_w}{3\pi \rho k_G} + \frac{Q_w}{4\pi \rho k_G} = \frac{Q_w}{8\pi \rho k_G} \quad (A21)$$

or

$$Q_w = 8\pi \rho k_G (T_A - T_M) \quad (A22)$$

1. Report No NASA CR-135382	2. Government Accession No.	3. Recipient's Catalog No.	
4. Title and Subtitle STIRLING ENGINE DESIGN MANUAL		5. Report Date April 1978	6. Performing Organization Code
7. Author(s) William R. Martini		8. Performing Organization Report No.	
9. Performing Organization Name and Address University of Washington Joint Center for Graduate Study 100 Sprout Rd. Richland, WA 99352		10. Work Unit No.	11. Contract or Grant No. NSG-3152
12. Sponsoring Agency Name and Address U. S. Department of Energy Division of Transportation Energy Conservation Washington, D. C. 20545		13. Type of Report and Period Covered Contractor Report	
15. Supplementary Note: Final report. Prepared under Interagency Agreement EC-77-A-31-1011. Project Manager, Harold H. Valentine, Systems Analysis and Assessment Office, NASA Lewis Research Center, Cleveland, Ohio 44135.		14. Sponsoring Agency Code DOE/NASA/3152-78/1	
16. Abstract This manual is intended to serve both as an introduction to Stirling engine analysis methods and as a key to the open literature on Stirling engines. Over 800 references are listed and these are cross referenced by date of publication, author and subject. Engine analysis is treated starting from elementary principles and working through cycle analysis. Analysis methodologies are classified as first, second or third order depending upon degree of complexity and probable application; first order for preliminary engine studies, second order for performance prediction and engine optimization, and third order for detailed hardware evaluation and engine research. A few comparisons between theory and experiment are made. A second order design procedure is documented step by step with calculation sheets and a worked out example to follow. Current high power engines are briefly described and a directory of companies and individuals who are active in Stirling engine development is included. Much remains to be done. Some of the more complicated and potentially very useful design procedures are now only referred to. Future support will enable a more thorough job of comparing all available design procedures against experimental data which should soon be available.			
17. Key Words (Suggested by Author(s)) Stirling engine; Performance simulation; Engine modeling; Advanced engines; Stirling cycle		18. Distribution Statement Unclassified - unlimited STAR Category 85 ERDA Category UC-96	
19. Security Classif. (of this report) Unclassified	20. Security Classif. (of this page) Unclassified	21. No. of Pages 370	22. Price* A16