

(NASA-CR-135239-Vol-1-Sect-1) ACOUSTIC N78-28094
TESTS OF DUCT-BURNING TURBOFAN JET NOISE
SIMULATION: COMPREHENSIVE DATA REPORT.
VOLUME 1, SECTION 1: MODEL SCALE DATA Unclas
Final Report (General Electric Co.) 477 p G3/07 27184

ACOUSTIC TESTS of DUCT-BURNING TURBOFAN JET NOISE SIMULATION

COMPREHENSIVE DATA REPORT

VOLUME I

SECTION I
MODEL SCALE DATA

P.H. HECK
D. LATHAM
J.F. BRAUSCH
E.J. STRINGAS
P.S. STAID
P.R. KNOTT

General Electric



NATIONAL AERONAUTICS AND SPACE ADMINISTRATION
LEWIS RESEARCH CENTER
21000 BROOKPARK ROAD
CLEVELAND, OHIO 44135

NASA CONTRACT: NAS3-18008



ACOUSTIC TESTS of DUCT-BURNING TURBOFAN JET NOISE SIMULATION

COMPREHENSIVE DATA REPORT

VOLUME I

SECTION I
MODEL SCALE DATA

P.H. HECK

D. LATHAM

J.F. BRAUSCH

E.J. STRINGAS

P.S. STAID

P.R. KNOTT

General Electric

NATIONAL AERONAUTICS AND SPACE ADMINISTRATION
LEWIS RESEARCH CENTER
21000 BROOKPARK ROAD
CLEVELAND, OHIO 44135

NASA CONTRACT: NAS3-18008

TABLE OF CONTENTS

Volume I

<u>Section I</u>		<u>Page</u>
1.0	INTRODUCTION	1
2.0	TEST SPECIFICATIONS	3
3.0	ACOUSTIC DATA	23
	A. Test Conditions	26
	B. 12.2 m (40 ft) Arc Data	39
 <u>Section II</u>		
	C. 96.9 m (320 ft) Radial - Scaled	443
	D. 731.5 m (2400 ft) Sideline - Scaled	443
 <u>Section III</u>		
4.0	ACOUSTIC PLOTS	1245
	4.1 Acoustic Comparison of Various Nozzle Models at Selected Test Conditions for a Full Size Engine	1247
	4.2 Acoustic Data Plots for a Full Size Engine Utilizing a Scale Factor of 8	1309
5.0	ON-LINE NARROWBANDS	1611
6.0	AERODYNAMIC DATA FORMAT - ACOUSTIC TESTS	1667
7.0	LASER DATA RECORDING	1675
8.0	STATIC PRESSURES - ACOUSTIC MODELS	1691

Volume II

Part 1.	"Concept Screening and Model Design for Acoustic Tests of Duct-Burning Turbofan Jet Noise Simulation," J.F. Brausch and P.S. Staid, General Electric AEG TM-74-270, June 1974.
Part 2.	"Hot/Cold Flow Model Tests to Determine Static Performance of Duct Noise Suppression Nozzles," R.A. Kirschbaum and R.G. Brasket, Fluidyne Engineering Corporation Report 1008, July 1974.

1.0 INTRODUCTION

This Comprehensive Data Report includes the basic test description and results from the aeroacoustic tests conducted on eleven (11) model scale nozzles suitable for use on Duct-Burning Turbofan Engines. The main test results from this work are analyzed and documented in the Final Report, NASA CR 2966.

Volume I contains the data and test results from the hot, static acoustic tests at the outdoor acoustic facility, JENOTS, located at the General Electric Plant in Evendale, Ohio. These data are presented as model scale data on a 12.2 m (40 ft) arc (Section I); acoustic data scaled to a full size engine by a factor of 8 on a 96.9 m (320 ft) arc and a 731.5 m (2400 ft) sideline (Section II), and as acoustic data plots (Section III).

Volume II contains two reports: "Concept Screening and Model Design for Acoustic Tests of Duct-Burning Turbofan Jet Noise Simulation", which describes the selection procedure used to arrive at the configurations tested; and "Hot/Cold Flow Model Tests to Determine Static Performance of Duct Noise Suppression Nozzles," which describes the performance characteristics of the test nozzles.

2.0 TEST SPECIFICATIONS

2.0 TEST SPECIFICATIONS

The following Test Project Sheet describes the test, the parts to be tested, the instrumentation required, the test matrix, and the location of facility thermocouples. The description of the test facility, the instrumentation systems, the model design and fabrication, and the data reduction methods are in Section 3 of the Final Report, NASA CR-2966.

DATE 11/8/74

TEST PROJECT SHEET *

NO. _____

TITLE Duct Burning Turbofan Acoustic Test

ENGINE MODEL NO. _____

AUTHORIZING PLAN NO. _____

TO D. Vevang, H. Cameron

REQUESTED COMPL. DATE _____

FROM R. Eckels

R. Eckels

PHONE 3658

APPROVED

R. Eckels for P. Heck

OUTLINE: PAR. I PROBLEM TO BE SOLVED

III TEST DESIRED

V SPECIAL INSTRUCTIONS

II PARTS TO BE TESTED

IV TEST SET UP & INSTRUMENTATION

VI REFERENCES

I. Problem to be Solved

Determine the effectiveness of the multi-chute and multi-tube duct suppressors when compared to the coannular non-coplanar model and coannular, coplanar model. Determine the effectiveness of the ejectors and acoustic liners for the ejectors.

II. Parts to be Tested

DBTF acoustic plenum facility Dwg. 4013180-209

DBTF coannular model adapter Dwg. 4013180-251

DBTF baseline coannular-coplanar model Sketch 1

DBTF multi-tube duct suppressor model Sketch 2

DBTF multi-chute duct suppressor model Sketch 3

DBTF coannular non-coplanar model Sketch 4

DBTF coannular model ejector Dwg. 4013096-674

DBTF coannular model ejector with acoustic liner

Mechanical shield

III. Test Desired

A. Aerodynamic - Record core and fan duct air flow and fuel flow. At the model measurement station, record core and fan duct total pressure, total temperature and static pressure.

Record and monitor plenum and adapter skin T/C temperature indications.

Record LDV data at the conditions and models indicated.

* THIS DOCUMENT DOES NOT AUTHORIZE EXPENDITURES

DISTRIBUTION

- R. Lee
- SB Kazin
- EJ Stringas
- PH Heck
- CT Savell
- PR Knott
- Brusch
- VL Doyle
- D. Latham
- File

ORIGINAL PAGE IS OF POOR QUALITY

TPS ACKNOWLEDGEMENT

ACCEPTED

REJECTED

ASSIGNED TO ENG. # _____

SCHED. WK. TO TEST _____

RESPONSIBLE ENGINEER _____

COMMENTS _____

APPROVED _____

DATE _____

TPS

Duct Burning Turbofan Acoustic Test
November 6, 1974

- B. Acoustic - Record acoustic farfield data using the 15.93 ft. high 40 ft. rad. microphone field from 40° to 160° at 10° increments and at 165° (measured from jet inlet). Record acoustic farfield data using the ground level microphone field at 20 ft. rad. and 20° increments from 70° to 150°.

IV. Test Setup & Instrumentation

A. Test Setup

1. Model #1 - Coannular, non-coplanar annular multi-chute suppressor. Fig. 3.
2. Model #2 - Coannular, non-coplanar annular multi-tube suppressor. Fig. 2.
3. Model #3 - Model #1 with addition of a hardwall ejector. Fig. 5 (with B/M inlet).
4. Model #4 - Model #1 with addition of an acoustically treated ejector. Fig. 6 (with B/M inlet).
5. Model #5 - Model #2 with addition of a hardwall ejector. Fig. 7 (with B/M inlet).
6. Model #6 - Model #2 with addition of an acoustically treated ejector. Fig. 8 (with B/M inlet).
7. Model #7 - Coannular, non-coplanar unsuppressed. Fig. 4.
8. Model #8 - Coannular, coplanar unsuppressed. Fig. 1.
9. Model #9 - Model #3 with sharp edge inlet. Fig. 12.
10. Model #10 - Model #1 with partial mechanical shield (sideline orientation). Fig. 13.
11. Model #11 - Model #1 with partial mechanical shield (flyover orientation). Fig. 14.

TFS

Duct Burning Turbofan Acoustic Test
November 6, 1974

B. Instrumentation

1. Aero - orifice air flow, fuel flow, burner temperatures, flame tunnel static pressure, and model measurement station total temperature, total pressure, and static pressures will be recorded digitally. Plenum internal temperature T/C's will be recorded and monitored on vertical scale meters (profile meter) with low temperature calibration at 500°F and high temp. calibration at 1700°F. Alarms will be initially set to 1000°F. Model adapter support cone temperatures will be recorded and monitored in the same manner as those in the plenum. Since only 15 temperatures (total) may be monitored continuously on the profile meters, the following schedule applies for T/C monitor.

	Monitor (T/C #)	Digital Record
Plenum	all (29-34)	all
Adapter support cone (P6)	1,2,6,10,11,12	all
Adapter support cone (P7)	16,18,19	all
Outer frame		all
Inner frame		all

Record LDV data at the models and conditions indicated in Section V.

2. Acoustic Instr.

Record acoustic data using the 28 channel Sangamo Sabre IV wide band recorder at 30 ips. Microphones placed at 15.93 ft. above ground level are to be Type B&K 4135 (14). The ground level microphones are to be Type B&K 4136 (5).

V. Special Instructions

The following table includes all test points to be run for acoustic data. The test points to be run for each model will be indicated by model and test point number.

TPS

Duct Burning Turbofan Acoustic Test
November 6, 1974

Test Point No.	CORE CYCLE			DUCT CYCLE		
	P_{T8}/P_o	T_{T8} °R	V_9 ft/sec	P_{T18}/P_o	T_{T18} °R	V_{19} ft/sec
1	1.79	amb (550)	1000	1.535	720	1000
2				1.78	850	1250
3				2.06	995	1500
4				2.38	1165	1750
5				2.725	1340	2000
6	1.63	770	1100	1.62	770	1100
7				1.92	925	1375
8				2.26	1095	1650
9				2.60	1280	1925
10				3.0	1485	2200
11	1.56	1000	1200	1.73	825	1200
12				2.06	995	1500
13				2.45	1200	1800
14				2.86	1410	2100
15				3.28	1630	2400
16	1.53	1225	1300	1.84	885	1300
17				2.22	1075	1625
18				2.64	1300	1950
19				3.11	1540	2275
20				3.57	1790	2600
21	1.50	1460	1400	1.95	940	1400
22				2.38	1165	1750
23				2.86	1410	2100
24				3.35	1670	2450
25				3.90	1960	2800
26	1.35	1000	1000	1.535	720	1000
27				2.06	995	1500
28				2.725	1340	2000

Duct Burning Turbofan Acoustic Test
November 6, 1974

Test Point No.	CORE CYCLE			DUCT CYCLE		
	P_{T8}/P_o	T_{T8} °R	V_9 ft/sec.	P_{T18}/P_o	T_{T18} °R	V_{19} ft/sec
29	1.86	1000	1400	1.95	940	1400
30				2.86	1410	2100
31				3.90	1960	2800
32	1.79	amb (550)	1000	2.02	720	1250
33				2.60	785	1500
34				3.20	1170	2000
35	1.63	770	1100	2.60	945	1650
36				3.05	830	1650
37				2.60	1670	2200
38	1.56	1000	1200	2.90	1025	1800
39				2.90	1805	2400
40				2.65	1960	2400
41	1.53	1225	1300	3.20	1940	2600
42	1.79	amb (550)	1000	1.20	550	550
43				1.36	650	800
44	1.63	770	1100	1.27	550	660
45	1.56	1000	1200	1.20	550	550
46				1.27	650	720
47				1.50	700	960
48	1.53	1225	1300	1.34	650	780
49	1.50	1460	1400	1.20	550	550
50				1.41	655	840
51				1.64	775	1120

TPS

Duct Burning Turbofan Acoustic Test
November 6, 1974.

Test Point	CORE CYCLE			DUCT CYCLE		
	P_{T8}/P_o	$T_{T8} \text{ } ^\circ\text{R}$	$V_9 \text{ ft/sec}$	P_{T18}/P_o	$T_{T18} \text{ } ^\circ\text{R}$	$V_{19} \text{ ft/sec}$
52	1.74	1460	1600	3.90	1960	2800
53	1.74			2.19	1060	1600
54	1.74			1.50	705	960
55	2.04		1800	3.73	1870	2700
56	2.04			2.45	1200	1800
57	2.04			1.60	760	1080
58	2.46		2000	3.42	1710	2500
59	2.46			2.725	1340	2000
60	2.46			1.73	825	1200

Model No.	Test Points
1	1 - 60
2	1 - 60
3	1,3,5,6,8,10,11,13,15,16, 18,20,21,23,25,32,34,36, 37,41,42,43,46,49,51.
4	Same as model #3 plus 52 - 60.
5	Same as model #3
6	Same as model #3 plus 52 - 60.
7	1,3,5,6,8,10,11,13,15,16, 18,20,21,23,25-31,33-60.
8	Same as model #7
9	1,3,5,11,13,15,21,23,25, 42,43,46,49,51.
10	Same as model #9
11	Same as model #9

TPS

Duct Burning Turbofan Acoustic Test
November 6, 1974

Laser velocimeter data will be taken as indicated in the following tables:

<u>Model</u>	<u>Meas. Planes</u>	<u>Test Points</u>
1	= 36.48, 43.12, 52.38	L1 - L3
2	= 36.75, 43.12, 52.38	L1 - L4
3	= 43.12, 52.38	L1 - L3
4	= 43.12, 52.38	L1 - L3
5	= 43.12, 52.38	L1 - L4
6	= 43.12, 52.38	L1 - L3

One velocity traverse will be made at each measuring plane noted for each test point and model. Four histograms will be made at each measuring plane - test point - model combination. The following table indicates the schedule of laser test points.

Test Pt.	P_{T8}/P_o	T_{T8}	V_9	P_{T18}/P_o	T_{18}	V_{19}
L1	1.50	1460°	1400	1.19	540°	560
L2	1.50	1460°	1400	1.99	940°	1400
L3	1.50	1460°	1400	3.90	1960°	2800
L4	1.50	1460°	1400	1.50	1460°	1400

11

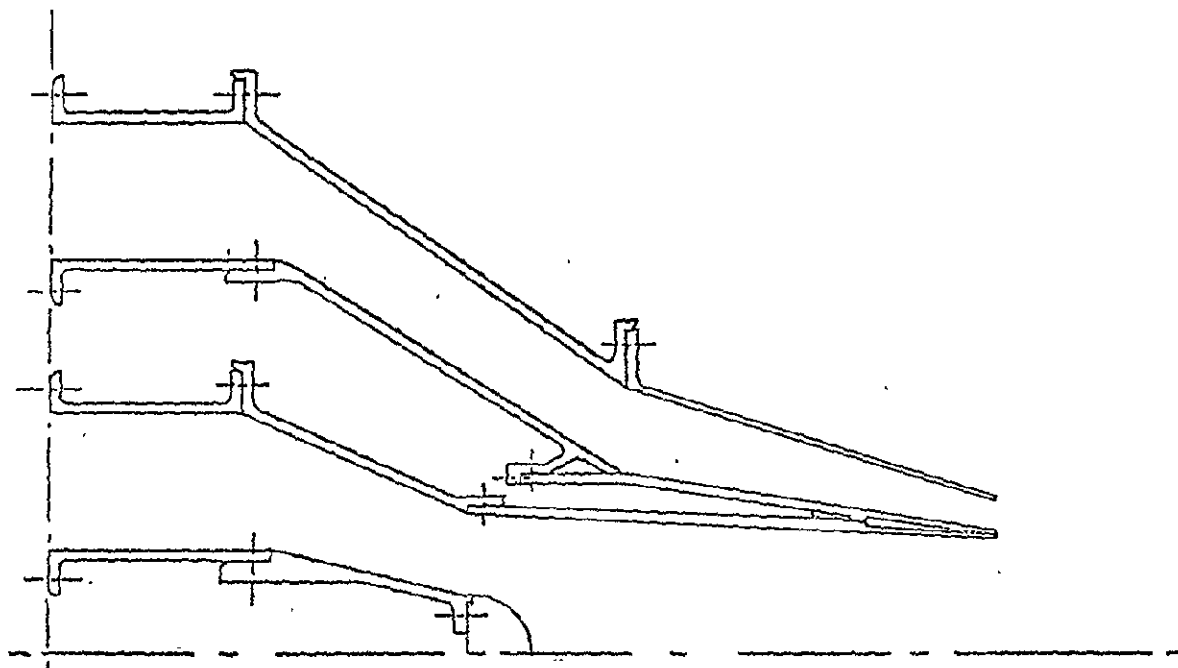


Figure 1. Un-suppressed Coannular Nozzle Without Plug.

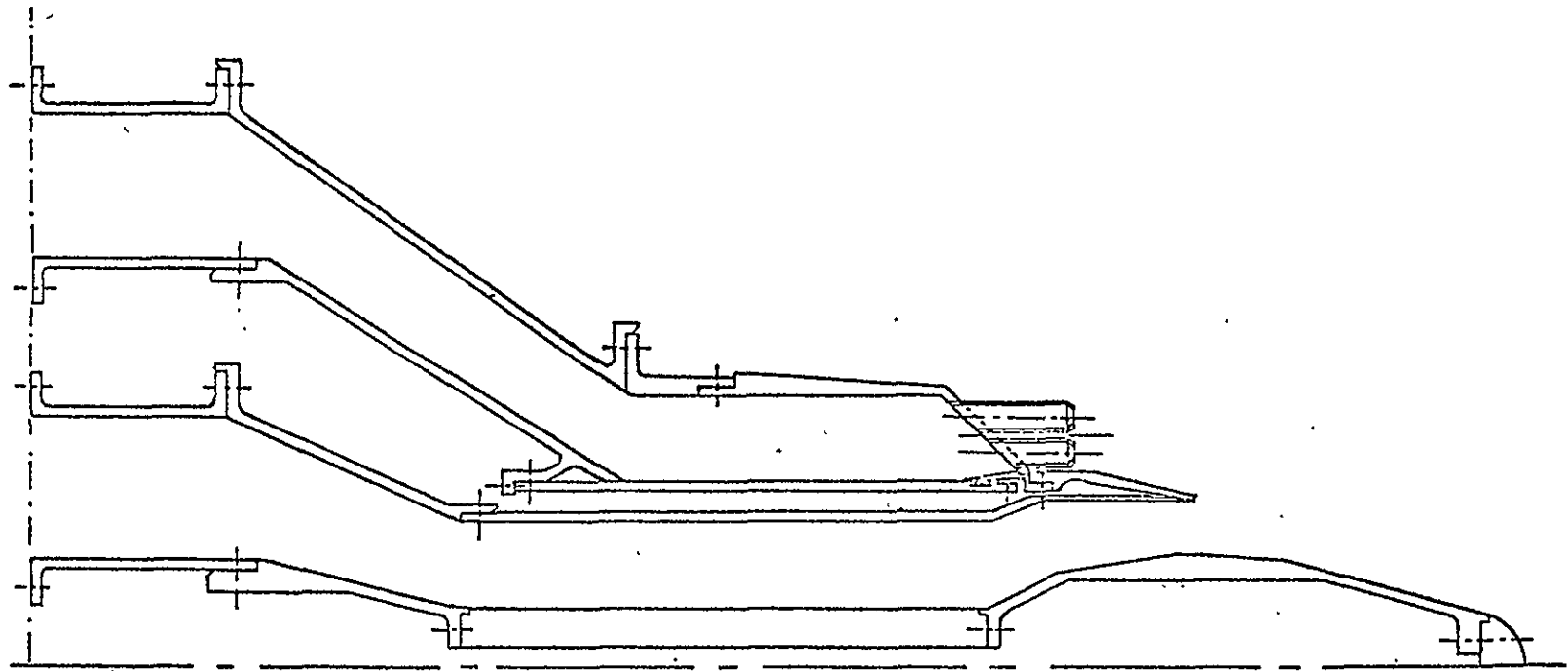


Figure 2. Multi-Tube Fan Suppressor Nozzle.

13

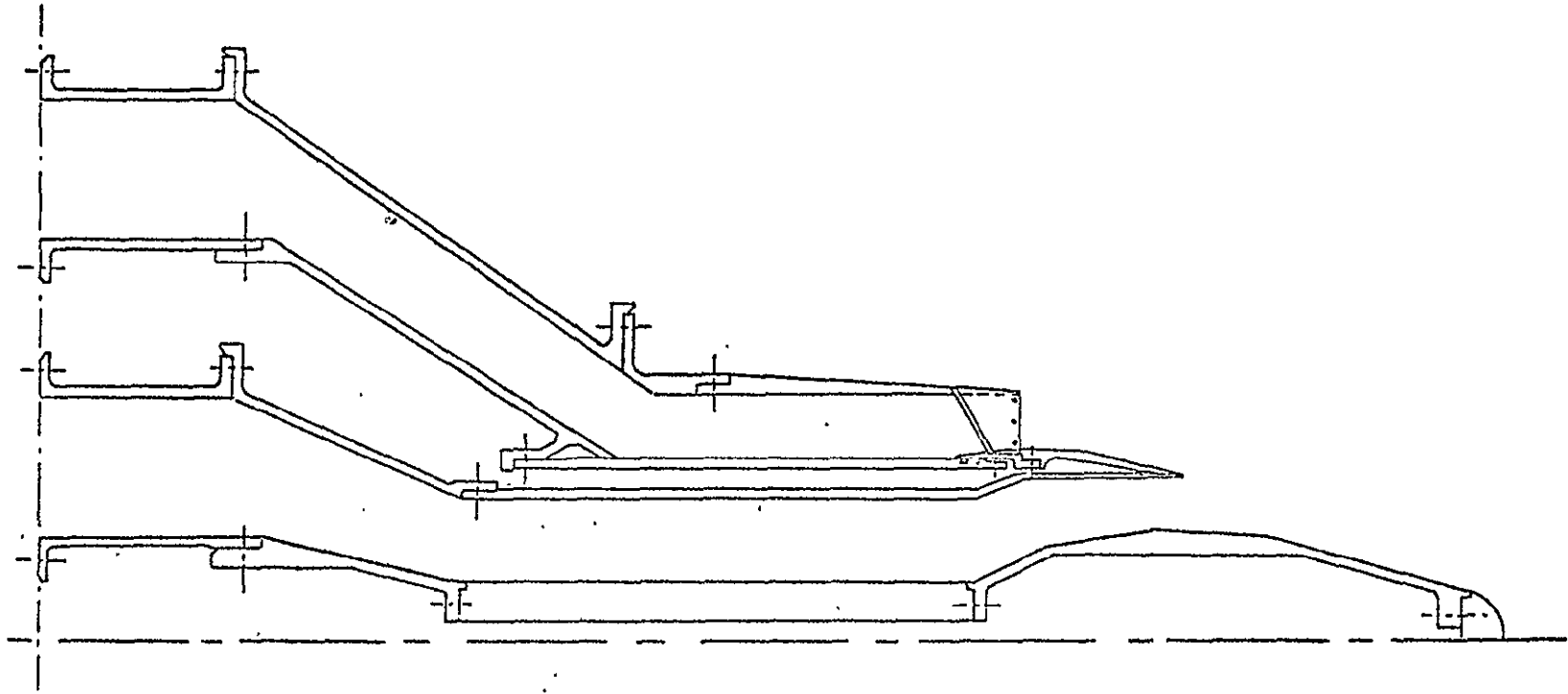


Figure 3. Multi-Chute Fan Suppressor Nozzle.

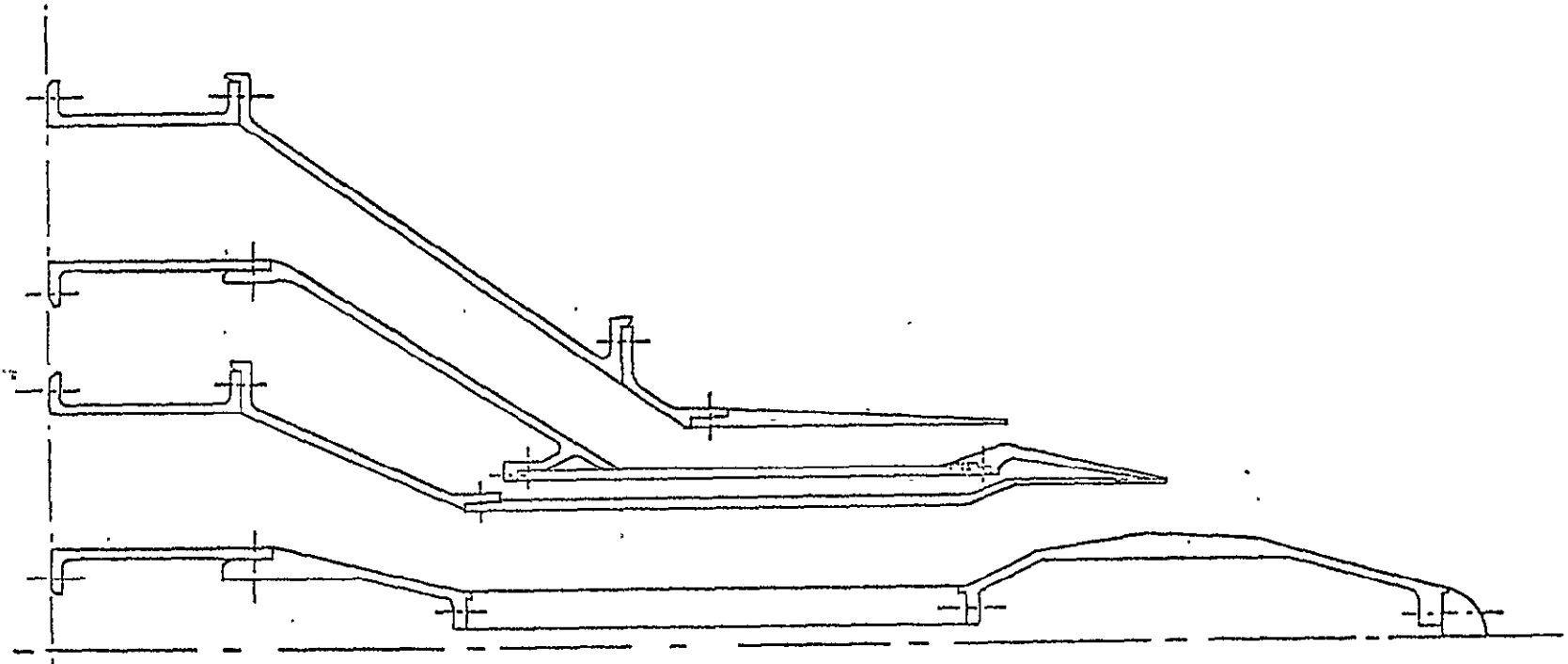


Figure 4. Unsuppressed Coannular Nozzle With Plug.

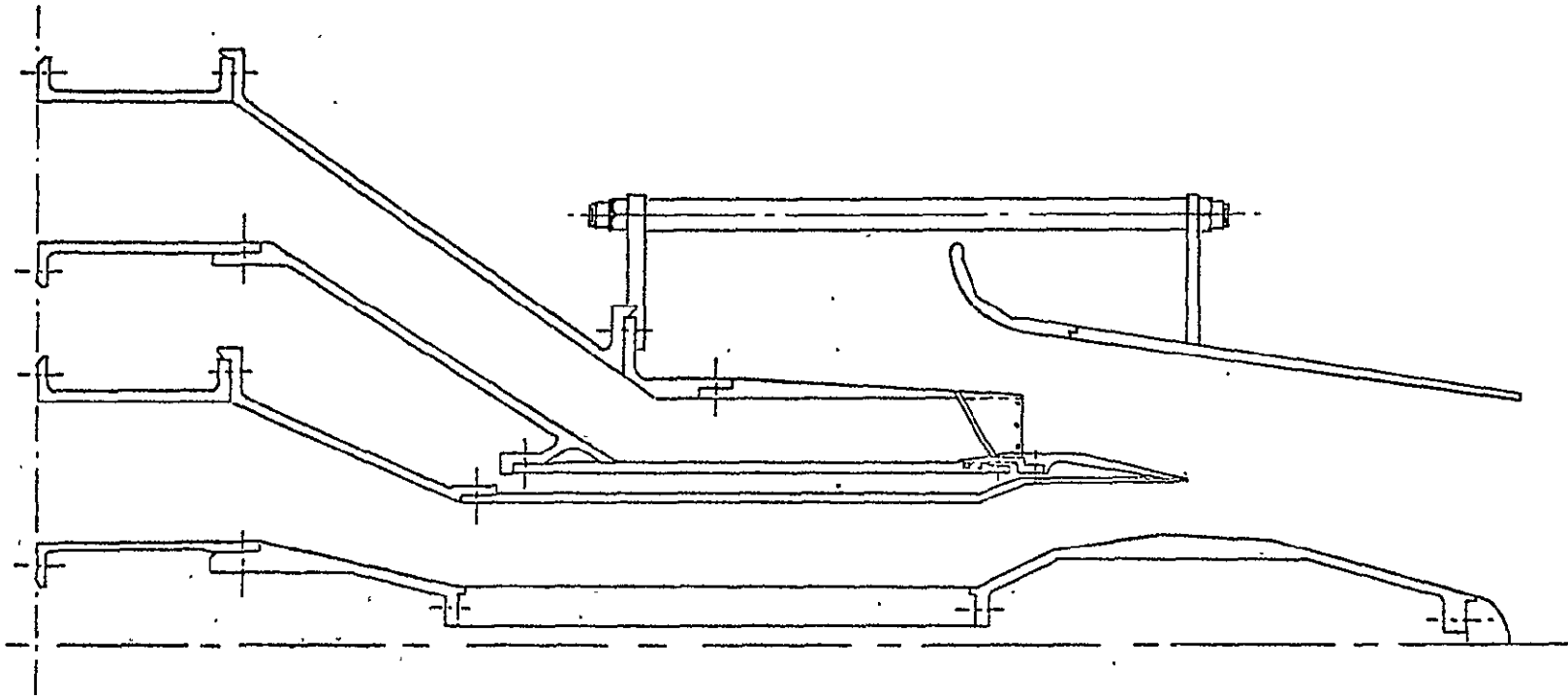


Figure 5. Multi-Chute Fan Suppressor Nozzle With Hardwall Ejector.

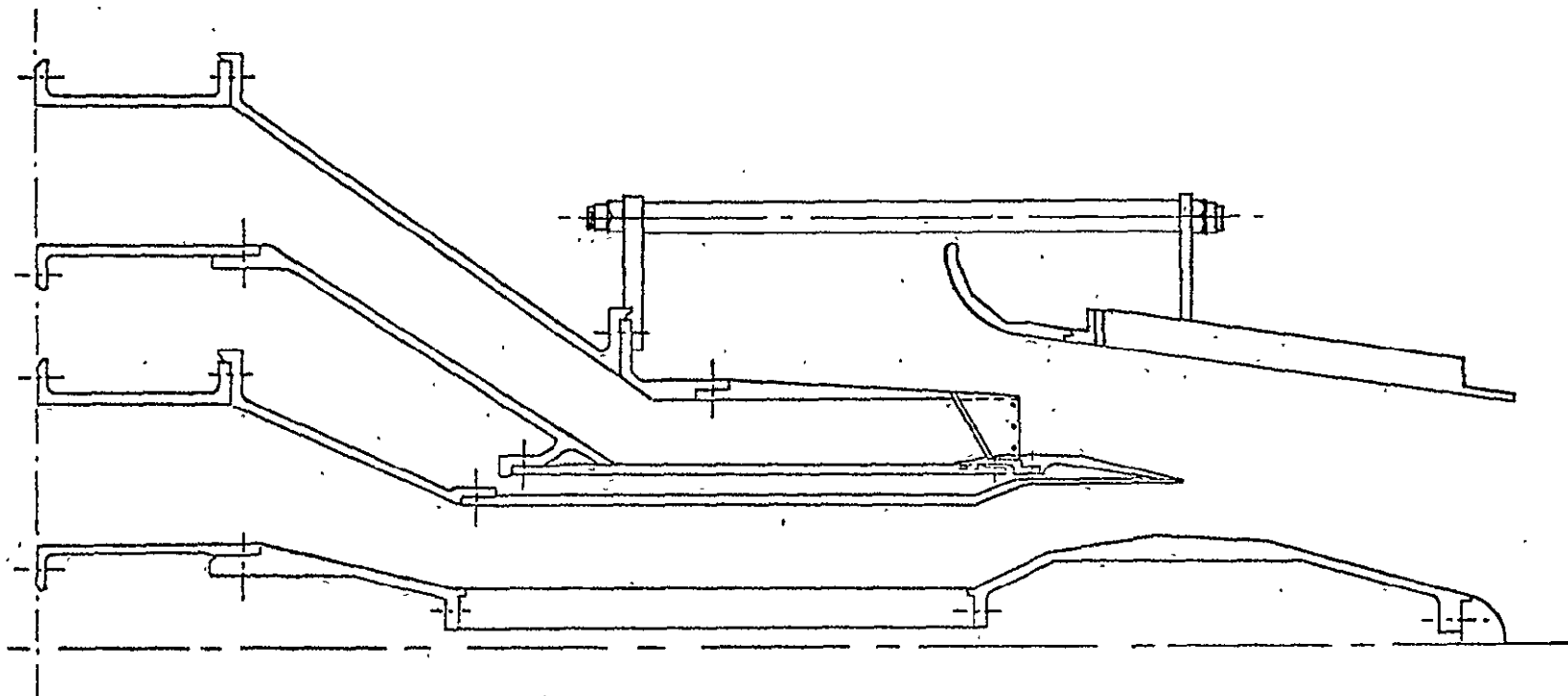


Figure 6. Multi-Chute Fan Suppressor Nozzle With Treated Ejector.

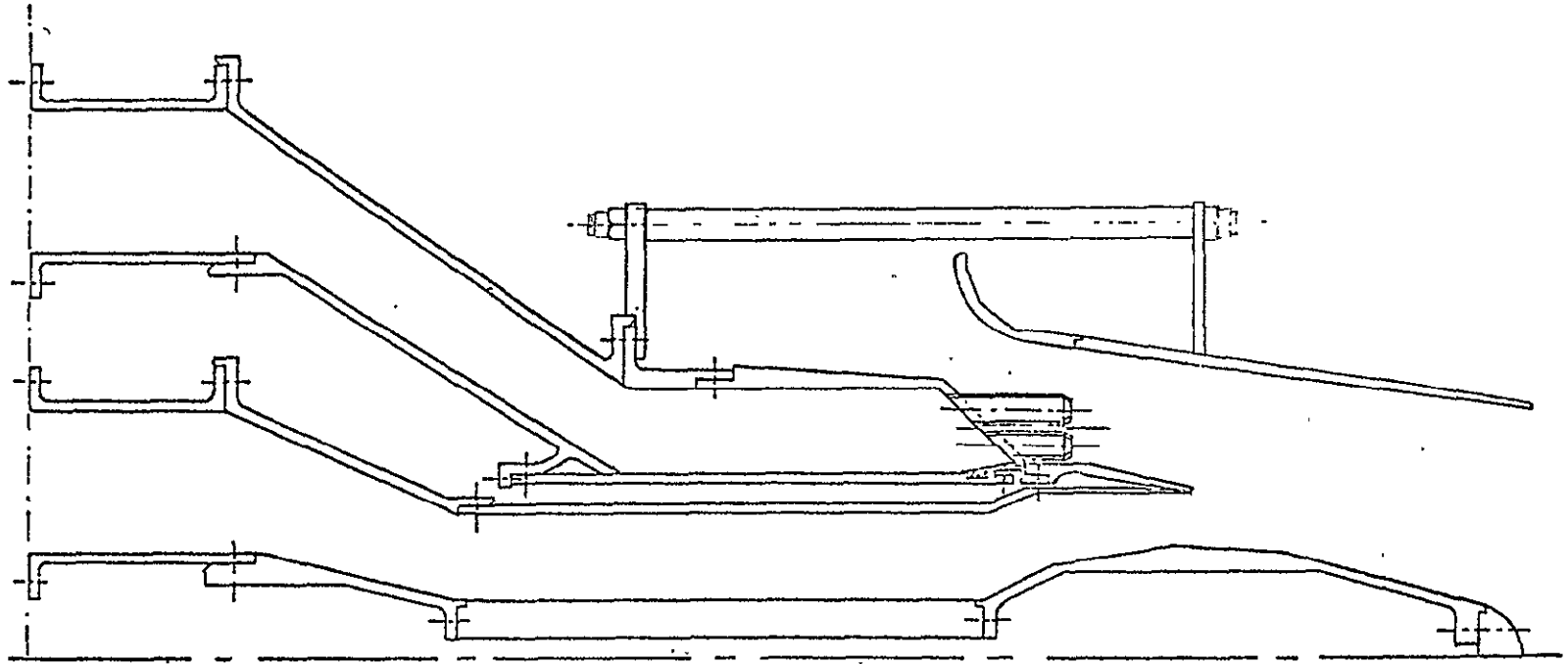


Figure 7. Multi-Tube Fan Suppressor Nozzle With Hardwall Ejector.

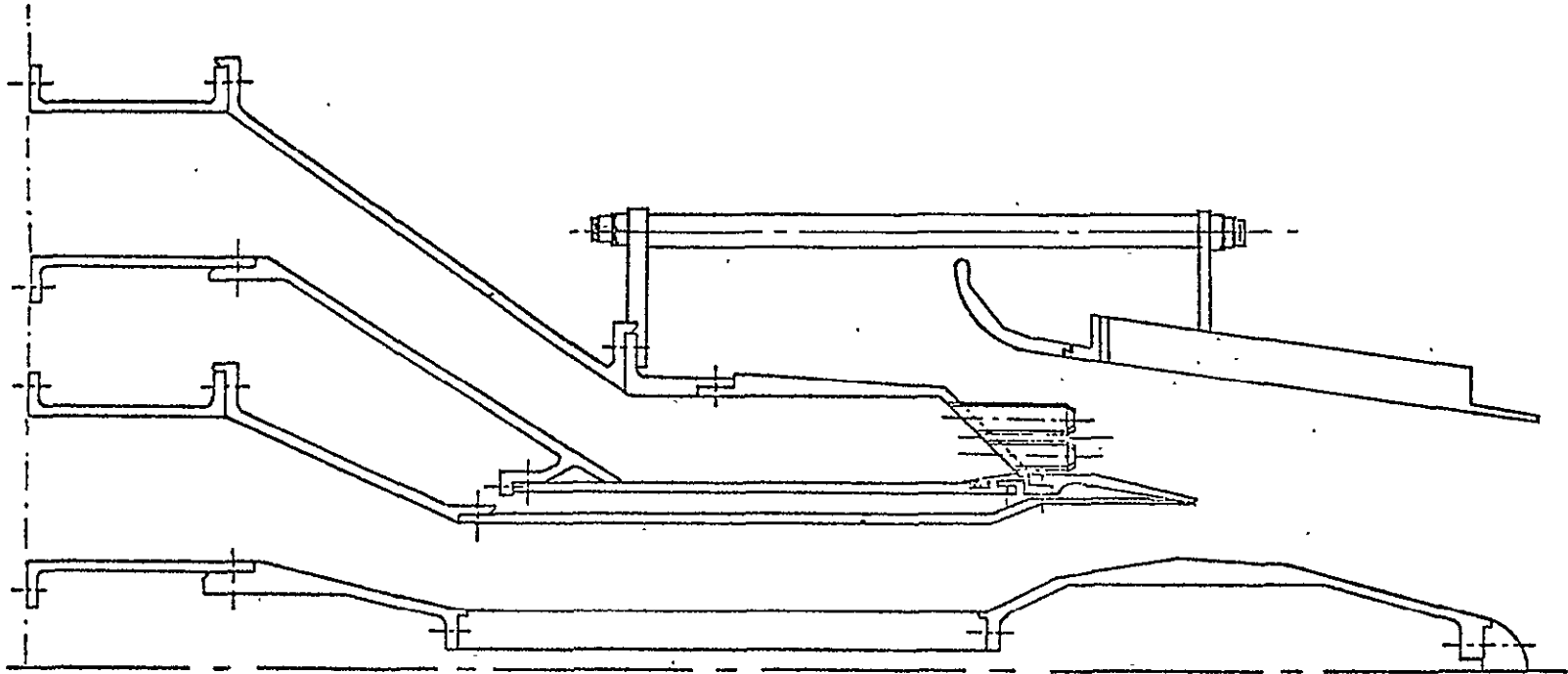


Figure 8. Multi-Tube Fan Suppressor Nozzle With Treated Ejector.

T/C	PN	X	θ° (ALF)
1	P06	10.0	0°
2	↑	9.5	0°
3	↑	↑	90°
4	↑	↓	180°
5	↑	9.5	270°
6	↑	4.0	0°
7	↑	↑	90°
8	↑	↓	180°
9	↑	4.0	270°
10	↑	3.5	0°
11	↑	2.5	0°
12	P06	0.5	0°

T/C	PN	X	θ° (ALF)
13	P07	10.0	0°
14	↑	9.5	0°
15	↑	9.5	180°
16	↑	5.0	0°
17	↑	5.0	180°
18	↑	4.5	0°
19	↑	3.0	0°
20	P07	0.5	0°

19

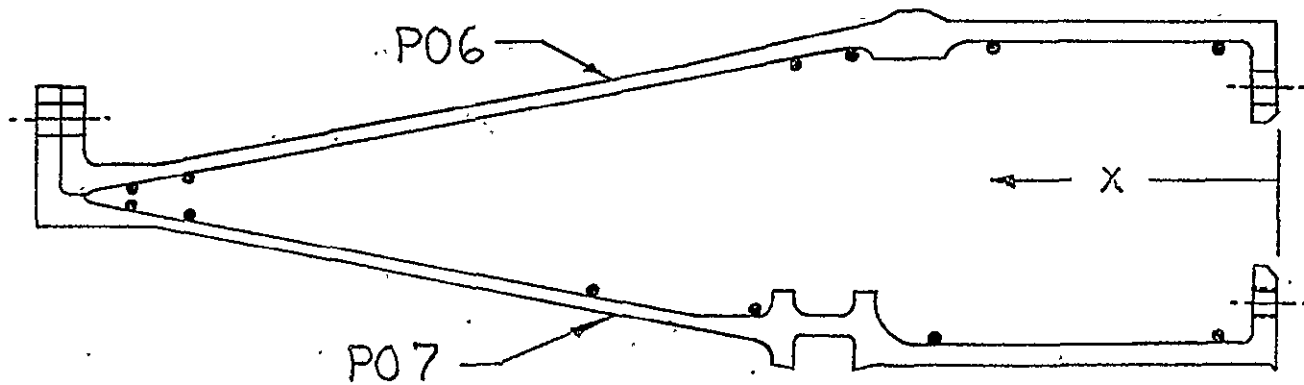


Figure 9. Support Cone T/C Location.

T/C	PN	R	$\theta + .3''$
21	P08	4.90	45°
22	↓	1.83	45°
23	↓	4.90	315°
24	↓	1.83	315°

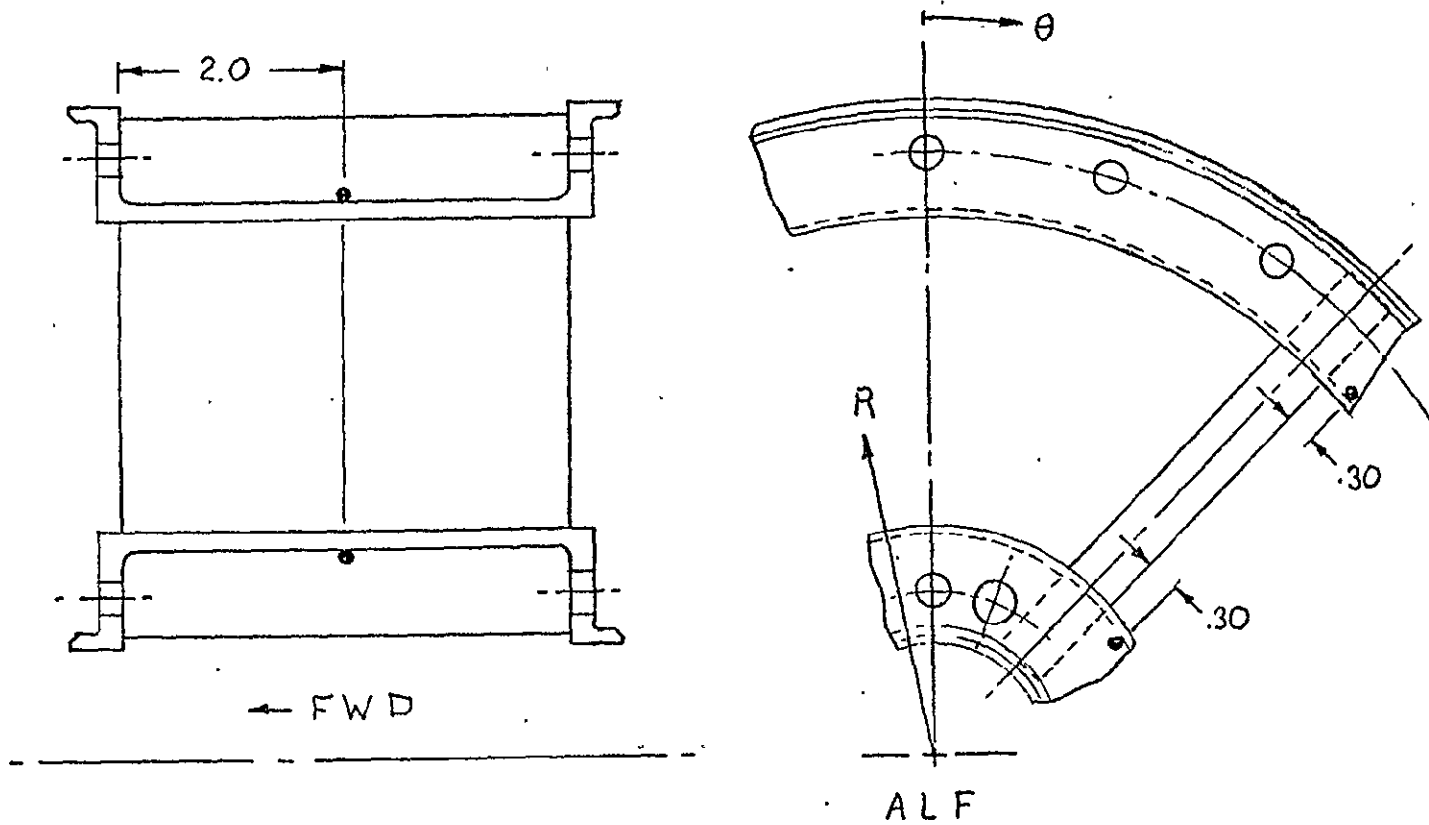


Figure 10. Inner Frame T/C Location.

T/C	PN	R	$\theta + .3''$
25	PO5	10.62	0°
26	↓	7.55	0°
27	↓	10.62	180°
28	↓	7.55	180°

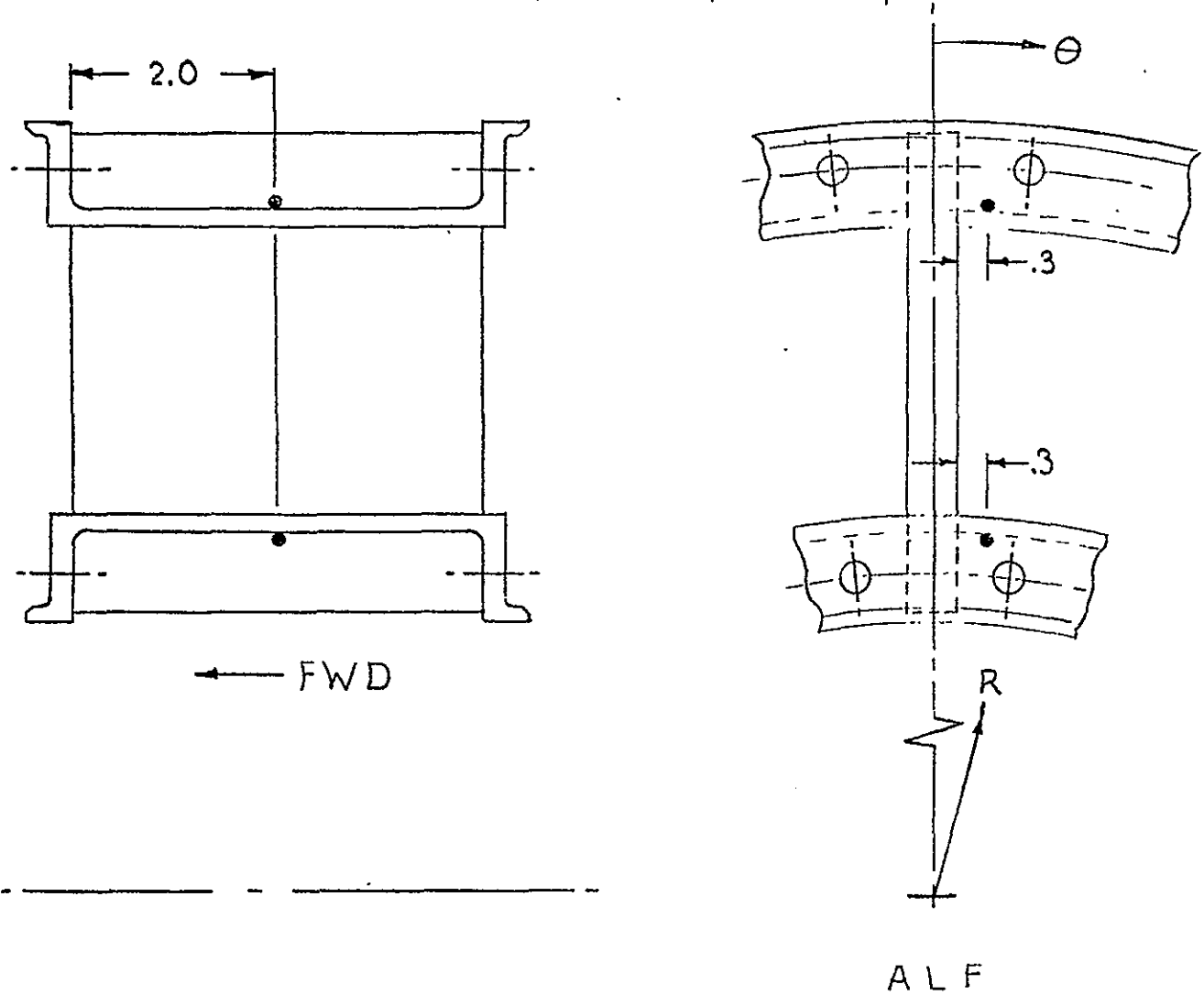


Figure 11. Outer Frame T/C Location.

3.0 ACOUSTIC DATA

This section contains three sets of acoustic data and the test conditions for all the experimental acoustic runs that were conducted at JENOTS. The actual aerodynamic test conditions are listed in Tables A-1 through A-11. These listings of pressure ratio, total temperature and calculated velocity are based on the facility "charging station" instrumentation described in Section 3.3 of the Final Report, NASA CR 2966. The ambient outdoor conditions are the measured barometer and the wet and dry bulb temperatures from a "sling" psychrometer. The data in Tables A-1 to A-11 are identified by a data point number: the two digits at the extreme right denote the nominal operating conditions as specified in pages 7 to 9; the additional one or two digits specify the configuration number as described in page 5. Those data points numbered 70 and above on some configurations correspond to a few data taken with only one stream operating. The rest of the terms used in these tables are defined in Figure 12.

The first set of acoustic data (pages 39 to 442) is the scale model results on a 12.2 m (40 ft) arc, corrected to standard day (59° F, 70% RH) and for ground reflections. The method for applying these corrections and the table of ground reflection corrections are described in Section 3 of the Final Report. Each data sheet contains the following information: —

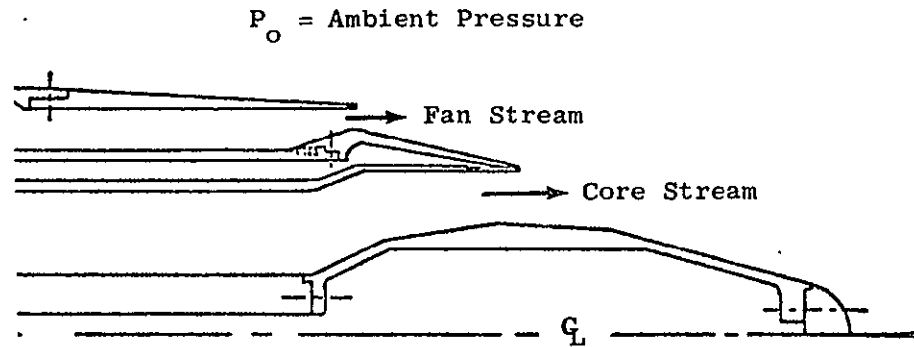
- Model identification, test point number, and test atmospheric conditions
- Sound pressure levels and sound power levels corrected to standard day, with corrections for ground reflections, but without extra ground attenuation (EGA).
- Overall sound pressure levels and perceived noise levels.

It should be noted that the sound power levels included with the arc data should be increased by 1.3 dB to account for full spherical radiation of sound.

The second and third set of data are the computer printouts of scaled data (scale factor 8) on a 96.9 m (320 ft) arc and on a 731.5 m (2400 ft) sideline respectively. The sideline point corresponds to FAR Part 36 monitoring location of 648.6 m (2128 ft) sideline with the aircraft at an

altitude of 338.3 m (1110 ft). These data appear in pages 443 to 1244. Both sets are interspersed with the 96.9 m arc data being followed by the 648.6 m data for each data point.

Sample data sheets are shown in Figures 13 and 14. Figure 13 explains the meaning of the identifying information presented on the computer printouts for the arc data, both model and scale data. Figure 14 provides the same information for the sideline data. It should be noted in particular the way the data is coded. The model is identified by the line reading "run DBTF model..."; the nominal operating conditions are identified in the following line which reads "tape x....." by the second and third digits from the right. Together, these numbers correspond to the data point numbers listed in Tables A-1 through A-11.



Fan Stream

$(P_T/P_o)_f = \text{Fan Nozzle Total Pressure Ratio}$
 $T_{Tf} = \text{Fan Nozzle Total Temperature}$
 $V_f = \text{Fan Nozzle Fully Expanded Velocity}$
 $A_f = \text{Fan Nozzle Geometric Throat Area}$

Core Stream

$(P_T/P_o)_c = \text{Core Nozzle Total Pressure Ratio}$
 $T_{Tc} = \text{Core Nozzle Total Temperature}$
 $V_c = \text{Core Nozzle Fully Expanded Velocity}$
 $A_c = \text{Core Nozzle Geometric Throat Area}$

22

Figure 12. Definition of Parameters Utilized In Tables A-1 Thru A-11.

SPL INPUT AT STD	30.	40.	50.	60.	70.	80.	90.	100.	110.	120.	130.	140.	150.	160.	0.	0.	0.	PWL
REV. ALPHA 12/73	FREQ.																	
	50																	
NO EGA	63	With Extra Ground Attenuation Not Used																
RDG. NO.	0.	Not Used																
RADIAL	40. FT.	100	} Microphone Distance (Location)															
	(12. M)	125																
VEHICLE	JENOTS	160	} Facility															
CONFIG	JE-000	200	} Internal Coding Purposes Only															
LOC	EVENDALE	250																
DATE	05-13-75	315	} Date of Test Run															
RUN	DBTF:MODEL1CA	400	} Model Identification															
TAPE	X10000	500	} Data Point No.															
BAR	29.5 HG	630	} Barometer															
	(99516. N/M2)	800																
TAMB	59. DEG F	1000	} T Dry															
	(288. DEG K)	1250																
TWET	55. DEG F	1600	} T Wet															
	(286. DEG K)	2000																
HACT	8.91 GM/M3	2500	} Not Used															
	(.00891 KG/M3)	3150																
FREQ. SHIFT		4000	} Frequency Shift Required for Given Scale Factor															
JET	0	5000	} Scale Factor															
DIAMETER RATIO		6300																
DF/DM	1.00	8000																
		10000																
		12500																
		16000																
		20000																
		25000																
		31500																
		40000																
		50000																
		63000																
		80000																
OVERALL MEASURED																		
OVERALL CALCULATED	90.9	92.4	93.1	94.2	94.5	95.5	96.7	97.2	99.1	100.6	101.1	103.6	104.7	112.4				
	PND8	103.3	104.3	105.3	106.1	106.7	107.6	108.8	109.5	110.9	112.6	113.0	114.1	112.6	116.7			
		} Perceived Noise Level																
		} Overall Sound Pressure Level																

Add 1.3 db to this Value
 For Full Spherical Radiation

143.6

Figure 13. Sample Printout Sheet, Model and Scaled Arc Data.

ORIGINAL PAGE IS OF POOR QUALITY

3.0 ACOUSTIC DATA

a. Test Conditions

Table A-1. Acoustic Test Matrix, Aerodynamic Test Conditions, DBTF Model 1.

$$A_c = 17.21 \text{ in.}^2 = 0.0111 \text{ m}^2$$

Duct-Burning Turbofan Model No. 1

$$A_f = 11.12 \text{ in.}^2 = 0.00717 \text{ m}^2$$

Data Pt.	$(P_T/P_O)_c$	$(P_T/P_O)_f$	A_f/A_c	V_f/V_c	V_c (ft/sec)	V_f (ft/sec)	T_{Tc} (° R)	T_{Tf} (° R)	T_{Dry} (° F)	T_{Wet} (° F)	Barom. (in. Hg)	V_c (m/sec)	V_f (m/sec)	T_{Tc} (° K)	T_{Tf} (° K)	T_{Dry} (° C)	T_{Wet} (° C)	Barom. (mm Hg)
101	1.775	1.531	.646	1.01	986	995	535	718	64	53	29.26	301	303	297	399	17.8	11.7	743.2
102	1.797	1.779		1.25	994	1246	533	852	64	53	29.26	303	380	296	473	17.8	11.7	743.2
103	1.801	2.057		1.50	999	1500	535	1004	64	53	29.26	304	457	297	558	17.8	11.7	743.2
104	1.789	2.376		1.77	996	1759	539	1171	64	53	29.26	304	536	299	651	17.8	11.7	743.2
105	1.786	2.726		2.03	997	2021	541	1353	64	53	29.26	304	616	300	752	17.8	11.7	743.2
106	1.629	1.631		1.00	1103	1106	777	780	66	53	29.30	336	337	432	433	18.9	11.7	744.2
107	1.626	1.916		1.24	1100	1366	775	915	66	53	29.30	335	416	431	508	18.9	11.7	744.2
108	1.624	2.260		1.49	1103	1647	782	1084	70	57	29.32	336	502	434	602	21.1	13.9	744.7
109	1.626	2.608		1.75	1101	1932	777	1289	70	57	29.325	336	589	432	716	21.1	13.9	744.9
110	1.632	3.003		2.00	1105	2209	778	1491	70	57	29.325	337	673	432	828	21.1	13.9	744.9
111	1.565	1.724		0.99	1200	1186	996	811	69	55	29.325	366	361	553	451	20.6	12.8	744.9
112	1.558	2.053		1.25	1196	1490	998	993	69	55	29.323	365	454	554	552	20.6	12.8	744.8
113	1.556	2.454		1.50	1197	1801	1002	1188	70	57	29.325	365	549	557	660	21.1	13.9	744.9
114	1.569	2.865		1.74	1215	2113	1015	1418	69	55	29.332	367	644	564	788	20.6	12.8	744.8
115	1.570	3.274		1.98	1209	2396	1004	1642	69	55	29.33	369	730	558	912	20.6	12.8	745.0
116	1.536	1.892		0.99	1302	1291	1218	875	69	55	29.325	397	393	677	486	20.6	12.8	744.9
117	1.535	2.226		1.24	1299	1615	1214	1060	67	54	29.30	396	492	674	689	19.4	12.2	744.2
118	1.525	2.644		1.51	1292	1947	1217	1292	70	57	29.325	394	593	676	718	21.1	13.9	744.9
119	1.530	3.112		1.75	1301	2278	1226	1542	70	56	29.35	397	694	681	857	21.1	13.3	745.5
120	1.531	3.495		1.98	1302	2578	1226	1810	70	56	29.35	397	786	682	1006	21.1	13.3	745.5
121	1.508	1.916		1.01	1390	1400	1443	941	69	55	29.327	424	427	802	523	20.6	12.8	744.9
122	1.516	2.385		1.26	1400	1759	1447	1166	67	54	29.328	427	536	804	648	19.4	12.2	744.9
123	1.498	2.864		1.52	1386	2103	1457	1405	70	56	29.35	422	641	809	781	21.1	13.3	745.5
124	1.498	3.345		1.76	1384	2433	1453	1667	67	56	29.35	422	742	807	926	19.4	13.3	745.5
125	1.507	3.888		1.99	1402	2784	1471	1968	67	56	29.35	427	815	817	1093	19.4	13.3	745.5
126	1.360	1.530		.99	1008	998	1004	724	64	53	29.26	307	304	558	402	17.8	11.7	743.2
127	1.351	2.053		1.49	997	1487	1003	990	69	55	29.327	304	306	557	550	20.6	12.8	744.9
128	1.344	2.725		2.04	990	2018	1004	1351	67	54	29.30	302	615	558	751	19.4	12.2	744.2
129	1.868	1.947		.99	1402	1388	998	924	69	55	29.323	427	423	554	513	20.6	12.8	744.8
130	1.860	2.866		1.50	1400	2098	1002	1398	69	55	29.332	427	639	557	777	20.6	12.8	745.0
131	1.851	3.886		1.99	1404	2790	1015	1977	67	56	29.355	428	850	564	1098	19.4	13.3	745.6
132	1.793	2.016		1.26	997	1252	538	718	61	52	29.389	304	382	299	399	16.1	11.1	746.5
133	1.798	2.596		1.49	1002	1494	541	778	61	52	29.389	305	455	301	432	16.1	11.1	746.5
134	1.783	3.197		2.01	994	1997	539	1171	64	53	29.26	303	609	299	651	17.8	11.7	743.2
135	1.630	2.613		1.49	1103	1647	777	940	66	53	29.30	336	502	432	522	18.9	11.7	744.2
136	1.625	3.045		1.50	1093	1642	768	823	66	53	29.30	333	500	427	457	18.9	11.7	744.2
137	1.625	2.618		1.99	1108	2204	788	1660	70	56	29.335	338	672	438	922	21.1	13.3	745.1
138	1.561	2.899		1.50	1200	1798	1001	1026	67	54	29.328	366	548	556	570	19.4	12.2	744.9
139	1.563	2.895		1.99	1203	2395	1002	1796	67	56	29.36	367	730	557	998	19.4	13.3	745.7
140	1.564	2.664		2.01	1207	2426	1010	1970	67	56	29.36	368	739	561	1094	19.4	13.3	745.7
141	1.525	3.206		2.01	1295	2601	1224	1954	67	56	29.363	395	793	680	1086	19.4	13.3	745.8
142	1.791	1.19		.56	975	548	515	513	59	51	29.382	297	167	286	285	15.0	10.0	746.2
143	1.788	1.351		.81	997	804	540	648	61	52	29.389	301	245	300	360	16.1	11.1	746.5
144	1.634	1.266		.58	1097	639	764	522	59	51	29.395	334	195	424	290	15.0	10.0	746.6
145	1.568	1.195		.47	1201	560	993	526	59	51	29.393	366	171	552	292	15.0	10.0	746.6
146	1.557	1.268		.61	1186	719	984	656	61	52	29.391	361	219	547	364	16.1	11.1	746.5
147	1.562	1.492		.79	1195	950	992	696	61	52	29.391	364	290	551	387	16.1	11.1	746.5
148	1.533	1.331		.61	1296	793	1211	662	59	51	29.391	395	212	673	368	15.0	10.0	746.5

Table A-1. Acoustic Test Matrix, Aerodynamic Test Conditions, DBTF Model 1 (Concluded).

$A_c = 17.21 \text{ in.}^2 = 0.0111 \text{ m}^2$ Duct-Burning Turbofan Model No. 1 $A_f = 11.12 \text{ in.}^2 = 0.00717 \text{ m}^2$

Data Pt.	$(P_T/P_o)_c$	$(P_T/P_o)_f$	A_f/A_c	V_f/V_c	V_c (ft/sec)	V_f (ft/sec)	T_{Tc} (° R)	T_{Tf} (° R)	T_{Dry} (° F)	T_{Wet} (° F)	Barom. (in. Hg)	V_c (m/sec)	V_f (m/sec)	T_{Tc} (° K)	T_{Tf} (° K)	T_{Dry} (° C)	T_{Wet} (° C)	Barom. (mm Hg)
149	1.510	1.194	.646	.40	1393	561	1445	528	59	51	29.391	425	171	803	293	15.0	10.6	746.5
150	1.512	1.419		.62	1391	868	1436	659	59	51	29.391	424	265	798	366	15.0	10.6	746.5
151	1.510	1.643		.80	1394	1109	1448	773	59	51	29.391	425	338	804	429	15.0	10.6	746.5
152	1.744	3.871		1.72	1611	2770	1460	1954	67	56	29.365	491	844	811	1086	19.4	13.3	745.9
153	1.745	2.198		1.00	1610	1607	1457	1064	63	53	29.37	491	490	809	591	17.2	11.7	746.0
154	1.751	1.501		.60	1610	959	1449	695	63	53	29.375	491	292	805	386	17.2	11.7	746.1
155	2.044	3.712		1.48	1808	2680	1461	1880	67	56	29.362	551	817	812	1044	19.4	13.3	745.8
156	2.048	2.416		1.01	1807	1817	1455	1212	65	54	29.37	551	554	808	673	18.3	12.2	746.0
157	2.041	1.600		.60	1801	1076	1452	766	63	53	29.375	549	328	807	426	17.2	11.7	746.1
158	2.483	3.402		1.24	2013	2499	1459	1735	65	54	29.363	614	762	811	964	18.3	12.2	745.8
159	2.478	2.726		1.01	2008	2029	1455	1364	65	54	29.37	612	618	808	758	18.3	12.2	746.0
160	2.472	1.730		.60	1999	1199	1446	825	63	53	29.37	609	365	803	458	17.2	11.7	746.0
170	1.02	3.889		11.67	238	2778	830	1960	78	59	29.382	72.5	847	461	1089	25.6	15.0	746.3
171	1.011	2.855		13.57	155	2103	659	1409	78	59	29.39	47.2	641	366	783	25.6	15.0	746.5
172	1.012	2.151		11.56	157	1815	627	1208	78	59	29.39	47.9	553	348	671	25.6	15.0	746.5

Table A-2. Acoustic Test Matrix, Aerodynamic Test Conditions, DBTF Model 2.

$A_c = 17.21 \text{ in.}^2 = 0.0111 \text{ m}^2$ Duct-Burning Turbofan Model No. 2 $A_f = 11.43 \text{ in.}^2 = 0.00737 \text{ m}^2$

Data Pt.	$(P_T/P_0)_c$	$(P_T/P_0)_f$	A_f/A_c	V_f/V_c	V_c (ft/sec)	V_f (ft/sec)	T_{Tc} (° R)	T_{Tf} (° R)	T_{Dry} (° F)	T_{Wet} (° F)	Barom. (in. Hg)	V_c (m/sec)	V_f (m/sec)	T_{Tc} (° K)	T_{Tf} (° K)	T_{Dry} (° C)	T_{Wet} (° C)	Barom. (mm Hg)
201	1.793	1.532	.664	.986	1009	995	552	718	64	50	29.660	308	303	307	399	17.8	10.0	753.4
202	1.793	1.779		1.225	1010	1237	552	839	64	50	29.662	308	377	307	466	17.8	10.0	753.4
203	1.796	2.058		1.468	1012	1486	553	984	63	49	29.665	308	453	307	547	17.2	9.4	753.5
204	1.796	2.381		1.728	1012	1749	554	1155	63	49	29.668	308	533	308	642	17.2	9.4	753.6
205	1.795	2.721		1.990	1010	2010	552	1342	61	48	29.670	308	613	307	746	16.1	8.9	753.6
206	1.635	1.622		.997	1099	1096	767	775	69	54	29.628	335	334	426	431	20.6	12.2	752.6
207	1.632	1.921		1.260	1098	1384	767	938	69	54	29.623	335	422	426	520	20.6	12.2	752.4
208	1.632	2.256		1.511	1098	1663	767	1106	70	55	29.620	335	507	426	614	21.1	12.8	752.3
209	1.631	2.607		1.757	1097	1927	766	1282	70	55	29.613	334	587	426	712	21.1	12.8	752.2
210	1.632	3.012		2.018	1097	2214	766	1495	70	55	29.610	334	675	426	831	21.1	12.8	752.1
211	1.567	1.734		.995	1199	1193	992	813	73	56	29.595	365	364	551	452	22.8	13.3	751.7
212	1.569	2.064		1.237	1201	1486	992	982	73	56	29.595	366	453	551	546	22.8	13.3	751.7
213	1.567	2.456		1.497	1204	1803	1000	1190	72	55	29.600	367	550	556	661	22.2	12.8	751.8
214	1.569	2.862		1.733	1208	2094	1005	1393	72	55	29.602	368	638	558	774	22.2	12.8	751.9
215	1.567	3.278		1.974	1211	2390	1010	1632	72	55	29.608	369	728	561	907	22.2	12.8	752.0
216	1.523	1.826		.998	1294	1292	1224	878	73	59	29.520	394	394	680	488	22.8	15.0	749.8
217	1.525	2.224		1.253	1295	1623	1224	1071	73	59	29.525	395	495	680	595	22.8	15.0	749.9
218	1.526	2.658		1.515	1295	1966	1223	1311	73	59	29.525	395	599	679	728	22.8	15.0	749.9
219	1.535	3.096		1.738	1307	2272	1227	1540	75	58	29.578	398	693	682	856	23.9	14.4	751.3
220	1.541	3.555		1.955	1315	2571	1233	1782	75	58	29.560	401	784	685	990	23.9	14.4	750.8
221	1.498	1.946		1.025	1380	1414	1445	960	74	58	29.530	421	431	803	533	23.3	14.4	750.1
222	1.503	2.383		1.272	1390	1768	1456	1179	74	58	29.530	424	539	809	655	23.3	14.4	750.1
223	1.503	2.865		1.528	1395	2132	1465	1442	74	58	29.530	425	650	814	801	23.3	14.4	750.1
224	1.501	3.349		1.747	1392	2432	1465	1664	76	58	29.550	424	741	814	924	24.4	14.4	750.6
225	1.495	3.895		2.028	1380	2799	1452	1986	76	58	29.540	421	853	807	1103	24.4	14.4	750.3
226	1.348	1.535		1.013	990	1003	995	726	69	54	29.632	302	306	553	403	20.6	12.2	752.7
227	1.351	2.057		1.509	993	1499	995	1002	75	58	29.590	303	457	553	557	23.9	14.4	751.6
228	1.348	2.734		2.045	990	2025	997	1356	75	58	29.582	302	617	554	753	23.9	14.4	751.4
229	1.861	1.963		1.016	1392	1415	989	951	62	53	29.420	424	431	549	528	16.7	11.7	747.3
230	1.863	2.866		1.515	1399	2119	998	1425	62	52	29.415	426	646	554	792	16.7	11.1	747.1
231	1.856	3.854		1.988	1395	2773	998	1962	62	52	29.410	425	845	554	1090	16.7	11.1	747.0
232	1.793	2.019		1.261	997	1257	538	723	61	48	29.677	304	383	299	402	16.1	8.9	753.8
233	1.793	2.600		1.500	999	1499	540	782	61	48	29.675	304	457	300	434	16.1	8.9	753.7
234	1.794	3.182		1.981	1005	1991	546	1167	61	48	29.673	306	607	303	648	16.1	8.9	753.7
235	1.620	2.597		1.501	1090	1636	768	933	62	52	29.410	332	499	427	518	16.7	11.1	747.0
236	1.630	3.043		1.504	1092	1642	762	823	65	52	29.410	333	500	423	457	18.3	11.1	747.0
237	1.627	2.594		2.020	1102	2226	778	1706	65	52	29.410	336	678	432	948	18.3	11.1	747.0
238	1.559	2.856		1.477	1196	1766	997	1001	62	52	29.410	365	538	554	556	16.7	11.1	747.0
239	1.557	2.889		2.000	1198	2396	1003	1800	62	52	29.413	365	730	557	1000	16.7	11.1	747.1
240	1.556	2.649		2.006	1201	2409	1010	1954	62	52	29.413	366	734	561	1086	16.7	11.1	747.1
241	1.531	3.192		1.978	1308	2587	1236	1938	62	53	29.413	399	789	687	1077	16.7	11.7	747.1
242	1.799	1.202		.573	996	571	534	531	57	47	29.688	304	174	297	295	13.9	8.3	754.1
243	1.799	1.361		.831	996	828	539	675	57	47	29.678	304	252	299	375	13.9	8.3	753.8
244	1.644	1.262		.577	1109	640	775	529	54	44	29.688	338	195	431	294	12.2	6.7	754.1
245	1.564	1.203		.477	1201	573	998	530	57	47	29.682	366	175	554	294	13.9	8.3	753.9
246	1.562	1.272		.611	1194	730	991	667	64	50	29.652	364	223	551	371	17.8	10.0	753.2
247	1.552	1.499		.815	1182	963	983	707	64	50	29.648	360	294	546	393	17.8	10.0	753.1

Table A-2. Acoustic Test Matrix, Aerodynamic Test Conditions, DBTF Model 2 (Concluded).

$A_c = 17.21 \text{ in.}^2 = 0.0111 \text{ m}^2$ Duct-Burning Turbofan Model No. 2 $A_f = 11.43 \text{ in.}^2 = 0.00737 \text{ m}^2$

Data Pt.	$(P_T/P_O)_c$	$(P_T/P_O)_f$	A_f/A_c	V_f/V_c	V_c (ft/sec)	V_f (ft/sec)	T_{Tc} (° R)	T_{Tf} (° R)	T_{Dry} (° F)	T_{Wet} (° F)	Barom. (in. Hg)	V_c (m/sec)	V_f (m/sec)	T_{Tc} (° K)	T_{Tf} (° K)	T_{Dry} (° C)	T_{Wet} (° C)	Barom. (mm Hg)
248	1.534	1.344	.664	.616	1301	801	1219	659	64	50	29.648	397	244	677	366	17.8	10.0	753.1
249	1.516	1.204		.410	1399	574	1445	532	57	47	29.680	426	175	803	296	13.9	8.3	753.9
250	1.514	1.413		.616	1405	865	1460	662	62	53	29.420	428	264	811	368	16.7	11.7	747.3
251	1.508	1.643		.798	1392	1111	1448	776	69	54	29.640	424	339	804	431	20.6	12.2	752.9
252	1.742	3.867		1.715	1616	2772	1471	1958	76	58	29.540	493	845	817	1088	24.4	14.4	750.3
253	1.740	2.189		.986	1612	1590	1467	1047	75	58	29.530	491	485	815	582	23.9	14.4	750.1
254	1.739	1.495		.606	1608	974	1460	727	75	58	29.530	490	297	811	404	23.9	14.4	750.1
255	2.047	3.715		1.476	1816	2680	1471	1878	76	58	29.540	554	817	817	1043	24.4	14.4	750.3
256	2.044	2.458		1.003	1804	1810	1453	1197	75	58	29.530	550	552	807	665	23.9	14.4	750.1
257	2.045	1.593		.601	1807	1086	1459	787	75	58	29.530	551	331	811	437	23.9	14.4	750.1
258	2.458	3.430		1.229	2006	2466	1464	1681	76	58	29.535	611	752	813	934	24.4	14.4	750.2
259	2.456	2.720		.984	2003	1970	1461	1290	75	58	29.530	611	600	812	717	23.9	14.4	750.1
260	2.464	1.725		.600	2002	1202	1455	833	75	58	29.535	610	366	808	463	23.9	14.4	750.2
270	---	3.850		---	---	2775	---	1967	62	53	29.413	---	846	---	1093	16.7	11.7	747.1
271	---	2.826		---	---	2083	---	1394	62	53	29.413	---	635	---	774	16.7	11.7	747.1
272	---	2.442		---	---	1817	---	1214	68	54	29.483	---	554	---	674	20.0	12.2	---
273	1.716	---		---	1586	---	1454	---	---	---	---	483	---	808	---	---	---	---
274	2.058	---		---	1816	---	1460	---	---	---	---	554	---	811	---	---	---	---
275	2.436	---		---	1993	---	1459	---	68	45	29.495	607	---	811	---	20.0	7.2	---
276	3.104	---		---	2202	---	1447	---	68	45	29.500	671	---	804	---	20.0	7.2	---

Table A-3. Acoustic Test Matrix, Aerodynamic Test Conditions, DBTF Model 3.

$A_c = 17.21 \text{ in.}^2 = 0.0111 \text{ m}^2$ Duct-Burning Turbofan Model No. 3 $A_f = 11.12 \text{ in.}^2 = 0.00717 \text{ m}^2$

Data Pt.	$(P_T/P_O)_c$	$(P_T/P_O)_f$	A_f/A_c	V_f/V_c	V_c (ft/sec)	V_f (ft/sec)	T_{Tc} (° R)	T_{Tf} (° R)	T_{Dry} (° F)	T_{Wet} (° F)	Barom. (in. Hg)	V_c (m/sec)	V_f (m/sec)	T_{Tc} (° K)	T_{Tf} (° K)	T_{Dry} (° C)	T_{Wet} (° C)	Barom. (mm Hg)
301	1.787	1.531	.646	.980	1008	988	553	708	69	56	29.415	307	301	307	393	20.6	13.3	747.1
303	1.789	2.060		1.485	1013	1504	557	1007	69	56	29.418	309	458	309	559	20.6	13.3	747.2
305	1.791	2.722		1.969	1024	2016	568	1349	70	54	29.415	312	614	316	749	21.1	12.2	747.1
306	1.620	1.620		.999	1088	1087	765	763	72	55	29.40	332	331	425	424	22.2	12.8	746.8
308	1.626	2.256		1.497	1096	1641	770	1077	71	54	29.41	334	500	428	598	21.7	12.2	747.0
310	1.639	2.993		1.971	1113	2194	783	1474	71	55	29.375	339	669	435	819	21.7	12.8	746.1
311	1.561	1.721		.992	1198	1188	998	816	72	55	29.405	365	362	554	453	22.2	12.8	746.9
313	1.554	2.443		1.505	1191	1793	995	1182	71	54	29.41	363	547	553	657	21.7	12.2	747.0
315	1.577	3.265		1.974	1217	2402	1008	1652	72	55	29.39	371	732	560	918	22.2	12.8	746.5
316	1.524	1.830		1.005	1287	1293	1210	877	72	55	29.405	392	394	672	487	22.2	12.8	746.9
318	1.526	2.638		1.497	1299	1945	1229	1292	71	54	29.41	396	593	683	718	21.7	12.2	747.0
320	1.531	3.549		1.979	1301	2575	1225	1789	72	56	29.365	397	785	681	994	22.2	13.3	745.9
321	1.505	1.948		1.002	1384	1387	1438	922	72	55	29.405	422	423	799	512	22.2	12.8	746.9
323	1.494	2.862		1.526	1378	2103	1450	1405	71	55	29.37	420	641	806	781	21.7	12.8	746.0
325	1.501	3.873		1.999	1395	2788	1470	1978	71	55	29.35	425	850	817	1099	21.7	12.8	745.5
332	1.793	2.014		1.243	1013	1259	556	728	69	56	29.418	309	384	309	404	20.6	13.3	747.2
334	1.795	3.190		1.937	1027	1989	570	1163	70	54	29.415	313	606	317	646	21.1	12.2	747.1
336	1.628	3.042		1.518	1088	1652	758	834	72	55	29.39	332	504	421	463	22.2	12.8	746.5
337	1.641	2.607		1.990	1113	2215	781	1682	71	55	29.385	339	675	434	934	21.7	12.8	746.3
341	1.529	3.189		1.990	1309	2605	1243	1966	72	56	29.356	399	794	691	1092	22.2	13.3	745.6
342	1.790	1.190		.564	992	559	534	336	65	53	29.40	302	170	297	298	18.3	11.7	746.8
343	1.788	1.351		.793	1021	810	567	663	69	56	29.415	311	247	315	368	20.6	13.3	747.1
346	1.562	1.266		.612	1195	731	991	683	69	56	29.413	364	223	551	379	20.6	13.3	747.1
349	1.501	1.193		.407	1384	563	1446	537	65	53	29.40	422	172	803	298	18.3	11.7	746.8
351	1.508	1.641		.798	1393	1111	1450	778	69	56	29.40	425	339	806	432	20.6	13.3	746.8

Table A-4. Acoustic Test Matrix, Aerodynamic Test Conditions, DBTF Model 4.

$A_c = 17.21 \text{ in.}^2 = 0.0111 \text{ m}^2$ Duct-Burning Turbofan Model No. 4 $A_f = 11.12 \text{ in.}^2 = 0.00717 \text{ m}^2$

Data Pt.	$(P_T/P_O)_c$	$(P_T/P_O)_f$	A_f/A_c	V_f/V_c	V_c (ft/sec)	V_f (ft/sec)	T_{Tc} (° R)	T_{Tf} (° R)	T_{Dry} (° F)	T_{Wet} (° F)	Barom. (in. Hg)	V_c (m/sec)	V_f (m/sec)	T_{Tc} (° K)	T_{Tf} (° K)	T_{Dry} (° C)	T_{Wet} (° C)	Barom. (mm Hg)
401	1.797	1.540	.646	1.011	989	1000	528	716	61	52	29.45	301	305	293	398	16.1	11.1	748
403	1.781	2.068		1.491	1010	1506	557	1006	65	54	29.45	308	459	309	559	18.3	12.2	748
405	1.778	2.722		2.000	1011	2022	561	1356	65	54	29.455	308	616	312	753	18.3	12.2	748.2
406	1.629	1.631		1.004	1098	1102	771	774	64	55	29.365	335	336	428	430	17.8	12.8	745.9
408	1.634	2.266		1.499	1103	1653	774	1088	69	55	29.35	336	504	430	604	20.6	12.8	745.5
410	1.626	2.992		1.988	1102	2191	779	1471	69	55	29.33	336	668	433	817	20.6	12.8	745
411	1.565	1.736		.999	1201	1200	997	820	63	54	29.45	366	366	554	456	17.2	12.2	748
413	1.559	2.449		1.508	1196	1803	997	1192	65	54	29.455	365	550	554	662	18.3	12.2	748.2
415	1.563	3.311		2.027	1184	2400	973	1634	72	56	29.33	361	732	541	908	22.2	13.3	745
416	1.539	1.847		1.006	1298	1306	1222	882	66	54	29.36	396	398	679	490	18.9	12.2	745.7
418	1.528	2.631		1.490	1301	1939	1228	1288	69	55	29.35	397	591	682	716	20.6	12.8	745.5
420	1.535	3.568		1.969	1310	2580	1234	17.89	72	56	29.33	399	786	686	994	22.2	13.3	745
421	1.507	1.952		1.006	1389	1397	1445	933	66	54	29.35	423	426	803	518	18.9	12.2	745.5
423	1.514	2.862		1.505	1401	2109	1453	1413	69	56	29.45	427	643	807	785	20.6	13.3	748
425	1.509	3.898		1.984	1404	2786	1469	1968	69	56	29.45	428	849	816	1093	20.6	13.3	748
432	1.776	2.022		1.275	987	1258	535	722	61	52	29.45	301	383	297	401	16.1	11.1	748
434	1.788	3.170		1.949	1020	1988	566	1167	65	54	29.455	311	606	314	648	18.3	12.2	748.2
436	1.633	3.047		1.499	1100	1649	770	830	66	54	29.36	335	503	428	461	18.9	12.2	745.7
437	1.641	2.617		1.999	1111	2221	777	1686	72	56	29.33	339	678	432	937	22.2	13.3	745
441	1.534	3.193		1.971	1315	2592	1244	1946	72	56	29.33	401	1191	691	1081	22.2	13.3	745
442	1.791	1.187		.570	1002	571	544	567	73	58	29.365	305	174	302	315	22.8	14.4	745.9
443	1.794	1.359		.818	986	807	526	645	61	52	29.445	301	246	292	357	16.1	11.1	747.9
446	1.559	1.258		.601	1196	719	998	677	63	54	29.45	365	219	554	376	17.2	12.2	748
449	1.497	1.187		.411	1384	569	1454	563	73	58	29.365	422	173	808	313	22.8	14.4	745.9
451	1.507	1.642		.797	1394	1111	1454	777	73	58	29.365	425	339	808	432	22.8	14.4	745.9
452	1.746	3.891		1.723	1617	2786	1468	1968	72	56	29.33	493	849	816	1093	22.2	13.3	745
453	1.750	2.194		.996	1614	1608	1456	1068	73	56	29.33	492	490	809	593	22.8	14.4	745
454	1.750	1.495		.592	1617	957	1463	703	73	58	29.34	493	292	813	391	22.8	14.4	745.2
455	2.040	3.710		1.482	1810	2683	1468	1884	72	56	29.33	552	818	816	1047	22.2	13.3	745
456	2.016	2.118		1.006	1809	1819	1461	1214	73	58	29.33	551	554	812	574	22.8	14.4	745
457	1.981	1.591		.608	1771	1076	1460	775	73	58	29.335	540	328	811	431	22.8	14.4	745.1
458	2.178	3.418		1.237	2013	2490	1463	1718	72	56	29.33	614	759	813	954	22.2	13.3	745
459	2.478	2.736		1.003	2011	2018	1459	1346	72	56	29.33	613	615	811	748	22.2	13.3	745
460	2.158	1.733		.609	2001	1219	1451	850	73	58	29.33	610	372	806	472	22.8	14.4	745
470	---	3.884		---	---	2778	---	1961	69	56	29.45	---	847	---	1089	20.6	13.3	748
471	---	2.859		---	---	2102	---	1405	69	56	29.45	---	641	---	781	20.6	13.3	748
472	---	2.152		---	---	1796	---	1183	69	56	29.418	---	547	---	657	20.6	13.3	748

Table A-5. Acoustic Test Matrix, Aerodynamic Test Conditions, DBTF Model 5;

$A_c = 17.21 \text{ in.}^2 = 0.0111 \text{ m}^2$

Duct-Burning Turbofan Model No. 5

$A_f = 11.43 \text{ in.}^2 = 0.00737 \text{ m}^2$

Data Pt.	$(P_T/P_O)_c$	$(P_T/P_O)_f$	A_f/A_c	V_f/V_c	V_c (ft/sec)	V_f (ft/sec)	T_{Tc} (° R)	T_{Tf} (° R)	T_{Dry} (° F)	T_{Wet} (° F)	Barom. (in. Hg)	V_c (m/sec)	V_f (m/sec)	T_{Tc} (° K)	T_{Tf} (° K)	T_{Dry} (° C)	T_{Wet} (° C)	Barom. (mm Hg)
501	1.789	1.536	.664	1.007	989	996	532	716	65	60	29.271	301	304	296	398	18.3	15.6	
503	1.802	2.062		1.501	1000	1501	537	1002	65	60	29.271	305	458	298	557	18.3	15.6	
505	1.800	2.730		2.002	1006	2014	545	1343	66	60	29.271	307	614	303	746	18.9	15.6	
506	1.626	1.624		.992	1090	1081	763	751	66	60	29.280	332	329	424	417	18.9	15.6	
508	1.630	2.259		1.484	1095	1625	766	1056	66	60	29.273	334	495	426	587	18.9	15.6	
510	1.640	2.991		1.991	1104	2198	768	1481	66	60	29.270	336	670	427	823	18.9	15.6	
511	1.569	1.735		.976	1217	1188	1019	805	68	61	29.280	371	362	566	447	20.0	16.1	
513	1.569	2.452		1.514	1199	1815	988	1207	68	61	29.280	365	553	549	671	20.0	16.1	
515	1.570	3.262		1.992	1199	2388	988	1635	68	61	29.280	365	728	549	908	20.0	16.1	
516	1.545	1.846		.992	1312	1301	1222	877	69	53	29.485	400	397	679	487	20.6	11.7	
518	1.536	2.636		1.504	1298	1952	1211	1302	69	53	29.500	396	595	673	723	20.6	11.7	
520	1.544	3.543		1.964	1310	2573	1219	1788	68	61	29.280	399	784	677	993	20.0	16.1	
521	1.515	1.946		.989	1396	1381	1440	916	69	53	29.490	426	421	800	509	20.6	11.7	
523	1.504	2.847		1.505	1389	2091	1450	1397	69	53	29.500	423	637	806	776	20.6	11.7	
525	1.501	3.867		1.997	1390	2776	1460	1963	68	61	29.280	424	846	811	1091	20.0	16.1	
532	1.824	2.027		1.233	1015	1252	543	713	68	54	29.552	309	382	302	396	20.0	12.2	
534	1.814	3.174		1.957	1018	1992	551	1170	68	54	29.550	310	607	306	650	20.0	12.2	
536	1.630	3.053		1.491	1092	1628	761	806	69	54	29.510	333	496	423	448	20.6	12.2	
537	1.616	2.597		1.983	1108	2197	770	1661	69	54	29.505	338	670	428	923	20.6	12.2	
511	1.543	3.198		1.973	1320	2605	1239	1963	69	54	29.520	402	794	688	1091	20.6	12.2	
512	1.790	1.207		.589	975	574	517	525	65	60	29.255	297	175	287	292	18.3	15.6	
513	1.789	1.355		.800	996	797	539	635	65	60	29.270	304	243	299	353	18.3	15.6	
516	1.560	1.274		.606	1192	722	990	647	65	60	29.270	363	220	550	359	18.3	15.6	
519	1.520	1.204		.411	1404	577	1446	537	65	60	29.265	428	176	803	298	18.3	15.6	
551	1.515	1.636		.790	1395	1102	1439	769	65	60	29.273	425	336	799	427	18.3	15.6	

Table A-6. Acoustic Test Matrix, Aerodynamic Test Conditions, DBTF Model 6.

$A_c = 17.21 \text{ in.}^2 = 0.0111 \text{ m}^2$

Duct-Burning Turbofan Model No. 6

$A_f = 11.43 \text{ in.}^2 = 0.00737 \text{ m}^2$

Data Pt.	$(P_T/P_O)_c$	$(P_T/P_O)_f$	A_f/A_c	V_f/V_c	V_c (ft/sec)	V_f (ft/sec)	T_{Tc} (° R)	T_{Tf} (° R)	T_{Dry} (° F)	T_{Wet} (° F)	Barom. (in. Hg)	V_c (m/sec)	V_f (m/sec)	T_{Tc} (° K)	T_{Tf} (° K)	T_{Dry} (° C)	T_{Wet} (° C)	Barom. (mm Hg)
601	1.791	1.535	.664	.981	1002	983	544	698	73	58	29.165	305	300	302	388	22.8	14.4	
603	1.791	2.056		1.484	1005	1491	548	993	73	58	29.170	306	454	304	552	22.8	14.4	
605	1.790	2.724		1.987	1011	2009	555	1340	73	58	29.170	308	612	308	744	22.8	14.4	
606	1.620	1.615		.987	1081	1067	755	739	73	58	29.165	329	325	419	411	22.8	14.4	
608	1.624	2.254		1.494	1088	1625	761	1057	73	58	29.170	332	495	423	587	22.8	14.4	
610	1.629	2.989		2.007	1094	2196	765	1479	73	58	29.170	333	669	425	822	22.8	14.4	
611	1.564	1.735		.987	1209	1193	1011	812	73	58	29.165	369	364	562	451	22.8	14.4	
613	1.563	2.455		1.529	1196	1829	992	1223	73	58	29.165	365	557	551	679	22.8	14.4	
615	1.567	3.266		1.983	1203	2385	997	1630	75	57	29.160	367	727	554	906	23.9	13.9	
616	1.530	1.832		.990	1296	1233	1217	863	73	60	29.177	395	391	676	479	22.8	15.6	
618	1.535	2.647		1.484	1307	1939	1228	1280	75	61	29.170	398	591	682	711	23.9	16.1	
620	1.531	3.550		1.983	1299	2576	1220	1790	77	60	29.170	396	785	678	994	25.0	15.6	
621	1.504	1.948		.995	1386	1379	1445	912	73	60	29.177	422	420	803	507	22.8	15.6	
623	1.517	2.856		1.494	1400	2092	1444	1394	75	61	29.170	427	638	802	774	23.9	16.1	
625	1.508	3.876		1.977	1397	2762	1458	1942	77	60	29.170	426	842	810	1079	25.0	15.6	
632	1.781	2.019		1.261	986	1243	531	706	73	60	29.175	301	379	295	392	22.8	15.6	
634	1.788	3.193		1.991	1000	1991	543	1164	73	60	29.175	305	607	302	647	22.8	15.6	
636	1.616	3.039		1.503	1088	1635	768	817	73	60	29.175	332	498	427	454	22.8	15.6	
637	1.625	2.603		2.017	1088	2194	759	1654	75	61	29.170	332	669	422	919	23.9	16.1	
641	1.520	3.201		1.995	1292	2577	1228	1920	77	60	29.170	394	785	682	1067	25.0	15.6	
642	1.789	1.195		.566	985	558	527	521	66	60	29.160	300	170	293	289	18.9	15.6	
643	1.788	1.354		.799	1006	804	551	648	68	62	29.160	307	245	306	360	20.0	17.8	
646	1.551	1.261		.607	1182	718	985	668	68	62	29.160	360	219	547	371	20.0	17.8	
649	1.518	1.207		.411	1400	575	1444	526	66	60	29.160	427	175	802	292	18.9	15.6	
651	1.515	1.637		.791	1395	1103	1438	770	68	62	29.160	425	336	799	428	20.0	17.8	
652	1.739	3.893		1.730	1599	2767	1444	1944	77	60	29.170	487	843	802	1080	25.0	15.6	
653	1.741	2.175		.999	1601	1600	1445	1068	78	60	29.160	488	488	803	593	25.6	15.6	
654	1.742	1.503		.601	1604	964	1449	703	78	60	29.160	489	294	805	391	25.6	15.6	
655	2.052	3.708		1.476	1807	2668	1452	1864	78	60	29.170	551	813	807	1036	25.6	15.6	
656	2.038	2.455		1.001	1799	1813	1451	1203	78	60	29.160	548	533	808	668	25.6	15.6	
657	2.043	1.602	.644	.591	1804	1066	1454	750	78	60	29.160	550	325	808	417	25.6	15.6	740.7
658	2.470	3.426		1.236	2006	2479	1458	1701	77	60	29.170	611	756	810	945	25.0	15.6	740.9
659	2.465	2.724		1.001	2005	2007	1459	1336	78	60	29.160	611	612	811	742	25.6	15.6	740.7
660	2.470	1.724		.598	2000	1195	1448	822	78	60	29.160	610	364	804	457	25.6	15.6	740.7

Table A-7. Acoustic Test Matrix, Aerodynamic Test Conditions, DBTF Model 7.

$A_c = 17.21 \text{ in.}^2 = 0.0111 \text{ m}^2$

Duct-Burning Turbofan Model No. 7

$A_f = 11.06 \text{ in.}^2 = 0.00714 \text{ m}^2$

Data Pt.	$(P_T/P_o)_c$	$(P_T/P_o)_f$	A_f/A_c	V_f/V_c	V_c (ft/sec)	V_f (ft/sec)	T_{Tc} (° R)	T_{Tf} (° R)	T_{Dry} (° F)	T_{Wet} (° F)	Barom. (in. Hg)	V_c (m/sec)	V_f (m/sec)	T_{Tc} (° K)	T_{Tf} (° K)	T_{Dry} (° C)	T_{Wet} (° C)	Barom. (mm Hg)
701	1.777	1.508	.613	1.00	968	969	514	705	49	40	29.508	295	295	286	392	9.4	4.4	749.5
703	1.782	2.043		1.53	964	1474	508	978	49	40	29.495	294	449	282	543	9.4	4.4	749.2
705	1.779	2.712		2.09	965	2018	511	1356	49	40	29.512	294	615	284	753	9.4	4.4	749.6
706	1.632	1.612		.99	1094	1083	762	765	43	39	29.470	333	330	423	425	6.1	3.9	748.5
708	1.634	2.254		1.50	1102	1654	772	1095	45	40	29.490	336	504	429	608	7.2	4.4	749.0
710	1.642	2.980		1.99	1110	2209	775	1499	49	40	29.520	338	673	431	833	9.4	4.4	749.8
711	1.583	1.738		.99	1218	1210	1002	834	47	41	29.531	371	369	557	463	8.3	5.0	750.1
713	1.597	2.456		1.47	1228	1811	1000	1200	56	45	29.522	374	552	556	667	13.3	7.2	749.9
715	1.580	3.275		1.97	1217	2402	1004	1649	56	45	29.510	371	732	558	916	13.3	7.2	749.6
716	1.532	1.849		1.01	1298	1304	1218	878	59	47	29.483	396	397	677	488	15.0	8.3	748.9
718	1.525	2.640		1.52	1294	1963	1222	1314	56	45	29.515	394	598	679	730	13.3	7.2	749.7
720	1.536	3.552		1.98	1303	2584	1219	1800	58	47	29.505	397	788	677	1000	14.4	8.3	749.4
721	1.518	1.953		1.00	1407	1404	1456	942	55	46	29.522	429	428	809	523	12.8	7.8	749.9
723	1.513	2.873		1.50	1403	2100	1459	1397	58	47	29.495	428	640	811	776	14.4	8.3	749.2
725	1.509	3.877		1.99	1393	2774	1448	1957	58	47	29.500	425	846	804	1087	14.4	8.3	749.3
726	1.369	1.524		.97	1018	989	1004	717	52	44	29.531	310	301	558	398	11.1	6.7	750.1
727	1.377	2.074		1.46	1027	1499	1003	993	52	44	29.525	313	457	557	552	11.1	6.7	749.9
728	1.389	2.734		1.96	1035	2024	992	1354	55	46	29.518	315	617	551	752	12.8	7.8	749.8
729	1.871	1.947		1.00	1399	1397	992	936	59	47	29.475	426	426	551	520	15.0	8.3	748.7
730	1.869	2.861		1.50	1406	2110	1003	1415	59	47	29.472	429	643	557	786	15.0	8.3	748.6
731	1.860	3.864		1.98	1400	2777	1002	1965	50	42	29.818	427	846	557	1092	10.0	5.6	757.4
733	1.790	2.601		1.55	971	1504	512	787	40	37	29.462	296	458	284	437	4.4	2.8	748.3
734	1.796	3.179		2.03	981	1991	520	1168	43	39	29.470	299	607	289	649	6.1	3.9	748.5
735	1.641	2.577		1.48	1105	1639	769	943	45	40	29.472	337	500	427	524	7.2	4.4	748.6
736	1.651	3.025		1.47	1113	1636	772	822	45	40	29.485	339	499	429	457	7.2	4.4	748.9
737	1.619	2.601		2.03	1090	2208	768	1674	50	42	29.825	332	673	427	930	10.0	5.6	757.6
738	1.552	2.897		1.52	1189	1804	995	1033	68	59	28.990	362	550	553	574	20.0	15.0	736.3
739	1.566	2.902		2.00	1205	2408	1003	1811	50	42	29.830	367	731	557	1006	10.0	5.6	757.7
740	1.552	2.657		2.03	1193	2426	1002	1975	50	42	29.830	364	739	557	1097	10.0	5.6	757.7
741	1.528	3.188		1.98	1307	2585	1241	1937	51	41	29.830	398	788	689	1076	10.6	5.0	757.7
742	1.768	1.176		.55	950	525	499	506	40	37	29.455	290	160	277	281	4.4	2.8	748.2
743	1.764	1.335		.84	954	798	505	669	40	37	29.460	291	243	281	372	4.4	2.8	748.3
744	1.63	1.266		.59	1097	648	768	536	68	59	28.995	334	198	427	298	20.0	15.0	736.5
745	1.555	1.176		.44	1191	525	994	507	40	37	29.535	363	160	552	282	4.4	2.8	750.2
746	1.574	1.274		.60	1218	725	1013	655	47	41	29.533	371	221	563	364	8.3	5.0	750.1
747	1.581	1.504		.79	1218	967	1004	708	47	41	29.532	371	295	558	393	8.3	5.0	750.1
748	1.539	1.311		.61	1308	804	1224	668	68	59	28.980	399	245	680	371	20.0	15.0	736.1
749	1.513	1.201		.40	1403	562	1460	508	48	40	29.488	428	171	811	282	8.9	4.4	749.0
750	1.506	1.117		.63	1392	881	1452	680	48	40	29.485	424	269	807	378	8.9	4.4	748.9
751	1.509	1.631		.80	1397	1111	1456	787	48	40	29.485	426	339	809	437	8.9	4.4	748.9
752	1.736	3.873		1.73	1603	2778	1456	1964	51	41	29.833	489	847	809	1091	10.6	5.0	757.8
753	1.757	2.171		.98	1616	1585	1451	1050	48	40	29.480	493	483	806	583	8.9	4.4	748.8
754	1.755	1.194		.59	1623	959	1466	706	50	42	29.485	495	292	814	392	10.0	5.6	748.9
755	2.013	3.696		1.17	1808	2663	1461	1861	51	41	29.832	551	812	812	1034	10.6	5.0	757.7
756	2.056	2.126		.99	1821	1803	1470	1203	48	40	29.480	555	550	817	668	8.9	4.4	748.8
757	2.066	1.589		.59	1819	1069	1459	768	48	40	29.480	554	326	811	427	8.9	4.4	748.8
758	2.461	3.101		1.24	1999	2485	1452	1717	53	42	29.828	609	757	807	954	11.7	5.6	757.6
759	2.460	2.725		1.01	1993	2007	1445	1336	53	42	29.825	607	612	803	742	11.7	5.6	757.6

Table A-7. Acoustic Test Matrix, Aerodynamic Test Conditions, DBTF Model 7 (Concluded).

$A_c = 17.21 \text{ in.}^2 = 0.0111 \text{ m}^2$

Duct-Burning Turbofan Model No. 7

$A_f = 11.06 \text{ in.}^2 = 0.00714 \text{ m}^2$

Data Pt.	$(P_{T0}/P_{O0})_c$	$(P_{T0}/P_{O0})_f$	A_f/A_c	V_f/V_c	V_c (ft/sec)	V_f (ft/sec)	T_{Tc} (° R)	T_{Tf} (° R)	T_{Dry} (° F)	T_{Wet} (° F)	Barom. (in. Hg)	V_c (m/sec)	V_f (m/sec)	T_{Tc} (° K)	T_{Tf} (° K)	T_{Dry} (° C)	T_{Wet} (° C)	Barom. (mm Hg)	
760	2.560	1.750	.643	.60	2039	1222	1456	841	48	40	29.480	621	372	809	467	8.9	4.4	748.8	
770	---	3.843	---	---	---	2756	---	1944	53	42	29.818	---	593	---	1080.	11.7	5.6	757.4	
771	---	2.832	---	---	---	2097	---	1410	53	42	29.825	---	430	---	783	11.7	5.6	757.6	
772	---	2.410	---	---	---	1793	---	1198	53	42	29.823	---	365	---	666	11.7	5.6	757.5	
773	1.510	---	---	---	---	1398	---	1455	---	53	42	29.812	443	---	808	---	11.7	5.6	757.2
774	1.564	---	---	---	---	1195	---	989	---	53	42	29.812	301	---	549	---	11.7	5.6	757.2
780	---	3.721	---	---	---	---	---	1866	---	---	---	---	---	---	---	---	---	---	---
781	---	3.565	---	---	---	---	---	1788	---	---	---	---	---	---	---	---	---	---	---
785	---	3.012	---	---	---	---	---	1490	---	---	---	---	---	---	---	---	---	---	---
786	---	2.866	---	---	---	---	---	1415	---	---	---	---	---	---	---	---	---	---	---
787	---	3.819	---	---	---	---	---	1938	---	---	---	---	---	---	---	---	---	---	---
789	---	2.907	---	---	---	---	---	1801	---	---	---	---	---	---	---	---	---	---	---
791	---	2.091	---	---	---	---	---	1901	---	---	---	---	---	---	---	---	---	---	---

Table A-8. Acoustic Test Matrix, Aerodynamic Test Conditions, DBTF Model 8.

$A_c = 16.92 \text{ in.}^2 = 0.01092 \text{ m}^2$ Duct-Burning Turbofan Model No. 8 $A_f = 10.95 \text{ in.}^2 = 0.00706 \text{ m}^2$

Data Pt.	$(P_T/P_O)_c$	$(P_T/P_O)_f$	A_f/A_c	V_f/V_c	V_c (ft/sec)	V_f (ft/sec)	T_{Tc} (° R)	T_{Tf} (° R)	T_{Dry} (° F)	T_{Wet} (° F)	Barom. (in. Hg)	V_c (m/sec)	V_f (m/sec)	T_{Tc} (° K)	T_{Tf} (° K)	T_{Dry} (° C)	T_{Wet} (° C)	Barom. (mm Hg)
801	1.771	1.503	.647	1.02	955	978	503	723	41	34	29.615	291	298	279	402	5.0	1.1	752.2
803	1.767	2.024		1.53	968	1481	520	998	42	34	29.615	295	451	289	554	5.6	1.1	752.2
805	1.769	2.699		2.08	969	2014	519	1357	41	34	29.615	295	614	288	754	5.0	1.1	752.2
806	1.59	1.589		1.00	1068	1067	765	763	44	34.5	29.617	326	325	425	424	6.7	1.4	752.3
808	1.621	2.252		1.52	1089	1651	765	1092	44	34.5	29.620	332	503	425	607	6.7	1.4	752.3
810	1.637	2.983		2.01	1095	2200	759	1487	45	35	29.610	334	671	422	826	7.2	1.7	752.1
811	1.56	1.728		1.00	1195	1191	994	815	52	41	29.525	364	363	552	453	11.1	5.0	749.9
813	1.568	2.424		1.49	1203	1797	996	1196	52	41	29.510	367	548	553	664	11.1	5.0	749.6
815	1.59	3.269		1.94	1219	2366	994	1603	53	42	29.550	372	721	552	891	11.7	5.6	750.6
816	1.546	1.835		1.00	1310	1304	1216	888	51	41	29.500	399	397	676	493	10.6	5.0	749.3
818	1.549	2.654		1.49	1310	1950	1209	1292	51	41	29.550	399	594	672	718	10.6	5.0	750.6
820	1.537	3.565		1.97	1309	2580	1229	1791	43	35	29.595	399	786	683	995	6.1	1.7	751.7
821	1.523	1.945		.99	1397	1386	1425	923	51	41	29.500	426	422	792	513	10.6	5.0	749.3
823	1.518	2.859		1.50	1405	2112	1453	1420	44	36	29.590	428	644	807	789	6.7	2.2	751.6
825	1.497	3.888		2.01	1388	2784	1463	1968	44	36	29.590	423	849	813	1093	6.7	2.2	751.6
826	1.352	1.533		1.02	972	990	950	709	52	41	29.530	296	302	528	394	11.1	5.0	750.1
827	1.363	2.058		1.49	1002	1493	985	994	52	41	29.510	305	455	547	552	11.1	5.0	749.6
828	1.365	2.732		1.99	1007	2004	992	1330	52	41	29.512	307	611	551	739	11.1	5.0	749.6
829	1.862	1.950		1.00	1395	1395	994	932	52	41	29.520	425	425	552	518	11.1	5.0	749.8
830	1.878	2.853		1.49	1405	2096	996	1400	53	42	29.510	428	639	553	778	11.7	5.6	749.6
831	1.852	3.884		1.96	1412	2771	1026	1951	44	35	29.595	430	845	570	1084	6.7	1.7	751.7
833	1.792	2.586		1.53	971	1487	511	773	41	34	29.615	296	453	284	429	5.0	1.1	752.2
834	1.772	3.153		2.03	974	1980	523	1163	40	33	29.615	297	604	291	646	4.4	.6	752.2
835	1.626	2.584		1.49	1089	1620	761	918	44	34.5	29.620	332	494	423	510	6.7	1.4	752.3
836	1.638	3.013		1.49	1101	1637	766	825	44	34.5	29.620	336	499	426	458	6.7	1.4	752.3
837	1.627	2.591		2.00	1095	2185	768	1647	53	42	29.550	334	666	427	915	11.7	5.6	750.6
838	1.576	2.858		1.48	1203	1777	986	1013	52	41	29.510	367	542	548	563	11.1	5.0	749.6
839	1.566	2.886		1.98	1199	2371	993	1765	43	35	29.595	365	723	552	981	6.1	1.7	751.7
840	1.566	2.658		2.00	1208	2421	1007	1968	43	35	29.595	368	738	559	1093	6.1	1.7	751.7
841	1.524	3.199		2.01	1295	2597	1227	1951	44	35	29.593	395	792	682	1084	6.7	1.7	751.7
842	1.770	1.160		.54	976	527	527	555	51	40	29.552	297	161	293	308	10.6	4.4	750.6
843	1.763	1.337		.81	963	781	515	638	42	34	29.615	294	238	286	354	5.6	1.1	752.2
844	1.612	1.223		.56	1080	606	761	545	51	40	29.532	329	185	423	303	10.6	4.4	750.1
845	1.536	1.174		.46	1172	541	989	543	51	40	29.550	357	165	549	302	10.6	4.4	750.6
846	1.567	1.252		.58	1201	700	995	655	52	41	29.550	366	213	553	364	11.1	5.0	750.6
847	1.558	1.496		.80	1191	956	990	699	52	41	29.535	363	291	550	388	11.1	5.0	750.2
848	1.535	1.337		.61	1298	787	1212	647	51	41	29.510	396	240	673	359	10.6	5.0	749.6
849	1.481	1.159		.38	1364	520	1451	543	52	41	29.550	416	158	806	302	11.1	5.0	750.6
850	1.504	1.433		.62	1399	869	1469	642	51	41	29.500	426	265	816	357	10.6	5.0	749.3
851	1.513	1.646		.79	1396	1109	1445	771	51	41	29.500	426	338	803	428	10.6	5.0	749.3
852	1.742	3.883		1.74	1606	2301	1453	1992	44	36	29.590	490	854	807	1107	6.7	2.2	751.6
853	1.748	2.191		1.00	1616	1608	1462	1069	43	35	29.580	493	490	812	594	6.1	1.7	751.3
854	1.777	1.506		.59	1631	960	1451	694	43	35	29.583	497	293	806	386	6.1	1.7	751.4
855	2.032	3.720		1.51	1786	2698	1436	1901	44	36	29.590	544	822	798	1056	6.7	2.2	751.6
856	2.035	2.467		1.01	1803	1816	1460	1201	43	35	29.580	550	554	811	667	6.1	1.7	751.3
857	2.051	1.595		.59	1807	1067	1453	758	43	35	29.583	551	325	807	421	6.1	1.7	751.4
858	2.458	3.418		1.25	1998	2489	1453	1717	44	36	29.590	609	759	807	954	6.7	2.2	751.6
859	2.469	2.733		1.01	2000	2023	1499	1353	43	35	29.580	610	617	833	752	6.1	1.7	751.3
860	2.460	1.725		.60	2005	1201	1461	832	43	35	29.580	611	366	812	462	6.1	1.7	751.3

Table A-9. Acoustic Test Matrix, Aerodynamic Test Conditions, DBTF Model 9.

$A_c = 17.21 \text{ in.}^2 = 0.0111 \text{ m}^2$

Duct-Burning Turbofan Model No. 9

$A_f = 11.12 \text{ in.}^2 = 0.00717 \text{ m}^2$

Data Pt.	(P_T/P_{O_c})	(P_T/P_{O_f})	A_f/A_c	V_f/V_c	V_c (ft/sec)	V_f (ft/sec)	T_{T_c} (° R)	T_{T_f} (° R)	T_{Dry} (° F)	T_{Wet} (° F)	Barom. (in. Hg)	V_c (m/sec)	V_f (m/sec)	T_{T_c} (° K)	T_{T_f} (° K)	T_{Dry} (° C)	T_{Wet} (° C)	Barom. (mm Hg)
901	1.792	1.529	.646	.980	1011	991	554	715	74	58	29.439	308	302	308	308	23.3	14.4	747.8
903	1.794	2.049		1.472	1016	1496	559	1003	74	58	29.432	310	456	310	557	23.3	14.4	747.6
905	1.791	2.729		1.986	1019	2024	563	1357	74	58	29.432	311	414	313	754	23.3	14.4	747.6
911	1.559	1.727		.996	1192	1187	990	811	74	58	29.425	363	362	550	451	23.3	14.4	747.4
913	1.564	2.452		1.508	1205	1817	1005	1209	74	58	29.422	367	554	558	672	23.3	14.4	743.3
915	1.564	3.259		1.980	1209	2394	1013	1643	74	58	29.42	369	730	563	913	23.3	14.4	743.3
921	1.513	1.951		.996	1397	1391	1449	926	75	60	29.41	426	424	805	514	23.9	15.6	747
923	1.496	2.862		1.523	1380	2102	1451	1404	75	60	29.415	421	611	806	780	23.9	15.6	747.1
925	1.495	3.876		2.002	1385	2773	1463	1957	74	58	29.415	422	845	813	1087	23.3	14.4	747.1
942	1.784	1.182		.557	1015	565	562	570	79	61	29.39	309	172	312	317	26.1	16.1	746.5
943	1.785	1.354		.791	1020	807	567	654	79	61	29.39	311	246	315	363	26.1	16.1	746.5
946	1.562	1.270		.595	1201	714	1001	643	79	61	29.41	366	218	556	357	26.1	16.1	747
949	1.516	1.180		.403	1403	566	1453	576	79	61	29.39	428	173	807	320	26.1	16.1	746.5
951	1.515	1.644		.787	1402	1103	1454	765	75	60	29.41	427	336	808	425	23.9	15.6	747

Table A-10. Acoustic Test Matrix, Aerodynamic Test Conditions, DBTF Model 10.

$$A_c = 17.21 \text{ in}^2 = 0.0111 \text{ m}^2$$

$$A_f = 11.12 \text{ in}^2 = 0.00717 \text{ m}^2$$

Data Pt.	$(P_T/P_O)_c$	$(P_T/P_O)_f$	A_f/A_c	V_f/V_c	V_c (ft/sec)	V_f (ft/sec)	T_{Tc} (° R)	T_{Tf} (° R)	T_{DRY} (° F)	T_{WET} (° F)	Barom (in.Hg)	V_c (m/sec)	V_f (m/sec)	T_{Tc} (° K)	T_{Tf} (° K)	T_{DRY} (° C)	T_{WET} (° C)	Barom (mm. Hg)
1001	1.792	1.522	.646	.998	989	987	530	717	59	55	29.472	301	301	294	398	15	13	748.6
1003	1.795	2.061		1.496	997	1492	537	991	59	55	29.478	304	455	298	550	15	13	748.7
1005	1.798	2.721		1.977	1013	2003	553	1333	59	55	29.488	309	610	307	740	15	13	749.0
1011	1.570	1.733		.995	1197	1191	984	811	62	56	29.490	365	363	547	450	17	13	749.0
1013	1.563	2.448		1.509	1195	1803	990	1193	61	55	29.485	364	550	550	663	16	13	748.9
1015	1.565	3.266		1.982	1206	2391	1005	1638	61	55	29.485	368	729	558	910	16	13	748.9
1021	1.511	1.968		1.001	1399	1400	1458	927	62	56	29.490	426	427	810	515	17	13	749.0
1023	1.495	2.844		1.526	1380	2106	1453	1417	62	56	29.483	421	642	807	787	17	13	748.9
1025	1.506	3.855		1.976	1401	2768	1470	1956	62	56	29.485	427	844	817	1087	17	13	748.9
1042	1.788	1.199		.576	972	560	513	516	56	53	29.463	296	171	285	287	13	12	748.4
1043	1.784	1.366		.819	989	810	534	640	59	55	29.460	301	247	297	356	15	13	748.3
1046	1.558	1.251		.596	1186	707	981	671	56	53	29.459	361	215	545	373	13	12	748.3
1049	1.518	1.184		.392	1396	547	1433	527	56	53	29.461	426	167	796	293	13	12	748.3
1051	1.510	1.634		.784	1392	1092	1444	758	62	56	29.490	424	333	802	421	17	13	749.0

Table A-11. Acoustic Test Matrix, Aerodynamic Test Conditions, DBTF Model 11.

$$A_c = 17.21 \text{ in}^2 = 0.0111 \text{ m}^2$$

$$A_f = 11.12 \text{ in}^2 = 0.00717 \text{ m}^2$$

Data Pt.	$(P_T/P_O)_c$	$(P_T/P_O)_f$	A_f/A_c	V_f/V_c	V_c (ft/sec)	V_f (ft/sec)	T_{Tc} (° R)	T_{Tf} (° R)	T_{DRY} (° F)	T_{WET} (° F)	Barom (in.Hg)	V_c (m/sec)	V_f (m/sec)	T_{Tc} (° K)	T_{Tf} (° K)	T_{DRY} (° C)	T_{WET} (° C)	Barom (mm. Hg)
1101	1.790	1.533	.646	.991	1006	997	549	720	68	59	29.475	307	304	305	400	20	15	748.7
1103	1.787	2.059		1.492	1006	1501	551	1004	68	59	29.475	307	458	306	558	20	15	748.7
1105	1.791	2.725		1.985	1016	2017	560	1349	68	59	29.479	310	615	311	749	20	15	748.8
1111	1.564	1.725		.968	1208	1169	1010	788	68	57	29.465	368	356	561	438	20	14	748.4
1113	1.560	2.448		1.509	1193	1800	991	1190	68	57	29.475	364	549	551	661	20	14	748.7
1115	1.563	3.255		1.976	1206	2383	1008	1631	68	59	29.475	368	726	560	906	20	15	748.7
1121	1.497	1.963		1.018	1378	1403	1443	934	70	57	29.465	420	428	802	519	21	14	748.4
1123	1.499	2.861		1.519	1388	2109	1458	1414	70	57	29.465	423	643	810	786	21	14	748.4
1125	1.502	3.882		1.997	1390	2776	1457	1959	70	57	29.502	424	846	809	1088	21	14	749.4
1142	1.788	1.187		.565	1002	566	546	556	66	57	29.490	305	172	303	309	19	14	749.0
1143	1.791	1.357		.802	1013	812	557	656	68	59	29.480	309	247	309	364	20	15	748.8
1146	1.572	1.261		.596	1197	714	982	660	68	59	29.485	365	218	546	367	20	15	748.9
1149	1.506	1.185		.418	1392	582	1452	594	66	57	29.490	424	177	807	330	19	14	749.0
1151	1.502	1.625		.795	1388	1103	1453	782	68	57	29.465	424	336	807	434	20	14	748.4

ORIGINAL PAGE IS
OF POOR QUALITY

3.0 ACOUSTIC DATA

b. 12.2 m (40 ft) Arc Data

Measured Data Corrected To Standard Day

SPL INPUT AT STD REV. ALPHA 12/73	SOUND PRESSURE LEVELS (39, DEG. F., 70 PERCENT REL. HUM., DAY - JEVOTS)																			PHL
	MODEL ANGLES FROM INLET IN DEGREES (AND RADIANS)																			
	30'	40'	50'	60'	70'	83'	90'	100'	110'	120'	130'	140'	150'	150'	0'	0'	0'	0'	0'	
	(0.52)	(0.70)	(0.87)	(1.105)	(1.22)	(1.40)	(1.57)	(1.72)	(1.92)	(2.09)	(2.27)	(2.44)	(2.62)	(2.79)	(0)	(0)	(0)	(0)	(0)	
NO EGA	50	59.8	63.6	61.1	61.4	61.7	62.1	63.6	64.8	65.1	66.1	66.5	68.5	72.3	72.7					106.9
RDG. NO.	63	62.3	63.3	63.2	63.7	64.3	65.9	66.3	67.2	68.1	69.2	70.3	72.4	75.5	74.6					110.2
RADIAL 40, FT. (12, M)	80	63.9	64.6	65.3	65.6	66.0	66.7	68.1	69.1	70.1	71.9	73.0	76.4	76.5	81.1					113.3
VEHICLE JENOTS	100	66.4	67.1	67.9	67.6	67.6	69.6	72.4	73.8	74.7	75.9	77.1	81.0	84.8	85.4					118.0
COYFIG JE-059	125	69.4	68.7	68.2	69.7	69.2	72.2	75.4	75.7	76.9	79.2	80.7	84.3	87.0	89.3					121.0
LOC EVEYDALE	160	73.4	71.1	70.9	71.9	72.4	74.9	77.6	77.6	80.6	81.6	81.6	84.9	88.1	89.8					122.3
DATE 05-07-75	200	74.8	75.3	73.5	73.5	74.5	76.3	77.8	78.5	80.0	82.8	83.6	86.6	89.2	92.3					123.9
RUN DBTF-MODEL 1	250	76.5	77.0	76.0	76.8	76.8	77.3	78.3	80.0	85.5	85.0	86.3	87.0	91.2	93.4					125.6
TAPE X10010	315	78.3	77.0	76.3	78.0	78.8	79.9	79.0	83.0	83.5	85.0	87.0	87.9	91.9	96.5					127.0
BAR 29.3 HG (99043, N/M2)	400	74.4	73.2	76.5	75.9	77.1	77.4	78.9	80.0	82.8	84.1	83.3	89.0	91.9	91.8					125.2
TAMB 64, DEG F (291, DEG K)	500	74.3	76.1	77.6	75.8	76.9	77.1	80.2	81.9	82.9	84.2	85.7	91.4	92.3	92.8					126.3
TWET 53, DEG F (283, DEG K)	630	75.6	76.9	78.2	76.9	78.4	79.0	81.1	82.4	83.7	83.7	86.4	89.6	91.1	93.3					126.0
HACT 0, G4/M3 (. KG/M3)	800	76.7	80.1	78.1	78.5	79.3	79.3	80.4	83.4	84.0	86.3	88.2	89.8	89.9	92.9					126.4
FREQ. SHIFT	1000	77.6	80.1	79.0	77.9	79.0	80.4	81.9	82.3	84.1	86.1	86.7	88.4	89.1	87.9					125.2
JET 0	1250	77.0	78.2	78.5	78.5	79.2	80.2	82.4	82.4	83.9	85.9	87.3	89.7	88.2	85.2					129.2
DIAMETER RATIO	1600	76.3	79.0	78.6	79.0	79.8	80.2	81.5	82.2	83.1	85.0	86.8	88.0	85.4	82.2					124.2
DF/DM 1.00	2000	78.3	77.8	78.0	79.9	79.7	80.1	81.0	82.1	82.7	84.1	85.7	86.8	83.6	81.0					123.5
	2500	77.5	78.5	79.2	78.4	78.3	80.2	81.2	82.4	83.3	84.3	85.5	86.7	82.9	80.0					123.5
	3150	75.8	77.9	78.8	78.7	79.6	79.6	81.0	81.6	83.0	84.6	85.4	86.1	82.8	80.9					123.4
	4000	74.9	77.7	78.2	79.0	78.9	80.3	81.3	82.9	83.3	85.4	85.5	86.0	82.8	81.0					123.8
	5000	75.2	78.7	79.1	78.8	79.2	80.5	81.8	83.5	84.5	86.2	86.9	87.1	84.0	82.6					124.7
	6300	74.9	79.3	80.0	80.6	80.6	81.7	82.1	83.3	84.5	86.1	86.6	86.6	84.5	84.0					125.0
	8000	74.9	79.0	80.5	81.0	82.0	83.0	82.9	84.4	84.7	86.3	86.4	86.2	84.1	84.6					125.6
	10000	74.7	79.9	81.1	81.5	82.4	83.1	82.4	84.2	84.8	86.1	86.3	85.7	83.6	83.5					125.8
	12500	72.8	79.1	79.9	80.9	82.5	82.5	82.3	83.4	83.4	85.2	85.4	84.3	82.0	81.1					125.2
	16000	70.4	76.7	77.9	78.5	80.4	80.7	80.8	81.5	82.8	83.2	83.1	81.9	80.2	79.3					123.8
	20000	66.9	74.2	75.1	76.2	77.0	77.7	78.3	79.8	80.2	80.9	80.8	79.3	78.1	76.2					121.8
	25000	63.9	71.8	72.8	73.9	74.4	75.2	75.8	77.6	77.6	78.7	76.6	76.5	75.4	73.1					119.7
	31500	60.0	67.5	68.6	69.5	70.1	72.9	73.0	74.6	74.1	75.8	73.9	73.0	71.3	69.2					117.0
	40000	57.2	64.1	65.6	66.4	66.5	68.0	69.2	70.4	70.8	71.8	69.0	68.9	67.9	65.9					113.8
	50000	55.0	61.4	62.7	62.7	62.9	65.9	67.2	67.4	66.9	69.5	66.0	66.5	66.4	63.7					112.1
	63000	55.1	57.8	59.0	59.7	59.8	64.5	67.0	66.8	64.3	69.4	64.0	66.4	68.4	64.2					113.2
	80000	55.8	55.9	55.2	56.0	58.5	65.3	67.6	67.1	63.7	71.3	65.0	67.8	67.8	65.5					116.9
OVERALL MEASURED																				
OVERALL CALCULATED		89.2	91.4	91.8	92.1	92.9	93.7	94.6	95.9	97.0	98.5	99.4	101.0	101.7	103.3					138.6
PND8		101.3	103.1	103.7	103.9	104.4	105.3	106.4	107.8	108.8	110.4	111.2	112.3	111.1	111.6					

ORIGINAL PAGE IS
OF POOR QUALITY

SPL INPUT AT STD REV. ALPHA 12/73	MODEL SOUND PRESSURE LEVELS (99, DEG. F, 70 PERCENT REL. HUM, DAY - JENOTS)																	PHL	
	FREQ.	(0.52)	(0.70)	(0.87)	(1.05)	(1.22)	(1.40)	(1.57)	(1.75)	(1.92)	(2.09)	(2.27)	(2.44)	(2.62)	(2.79)	(0.0)	(0.0)		(0.0)
	ANGLES FROM INLET IN DEGREES (AND RADIANS)																		
	30	40	50	60	70	80	90	100	110	120	130	140	150	160	0	0	0		
RDG. NO. EGA	50	61.1	62.3	62.6	62.4	63.0	63.3	65.1	65.8	66.4	67.1	68.3	70.3	74.3	74.7				108.6
RDG. NO. R	63	63.6	65.1	65.1	65.2	65.5	67.1	68.3	68.9	68.9	70.6	71.8	74.4	77.7	78.6				112.0
RADIAL 40. FT.	80	65.1	66.1	67.0	67.4	67.8	67.9	69.8	71.8	73.4	74.5	77.9	80.8	83.1					115.1
(12. M)	100	68.4	69.1	69.9	69.1	69.1	70.6	73.7	74.6	76.5	77.1	78.6	82.8	86.8	87.4				119.7
VEHICLE JENOTS	125	70.7	70.2	70.4	70.9	71.4	73.7	76.9	76.9	77.9	80.4	81.9	85.3	89.0	90.8				122.5
CONFIG JE-059	160	74.9	73.4	72.9	73.9	74.1	76.6	79.1	78.9	81.6	82.9	83.6	86.4	89.6	91.1				123.7
LOC EVEYDALE	200	76.3	76.3	75.0	74.8	76.0	77.5	78.5	79.5	81.3	83.5	84.8	87.6	90.5	94.0				125.1
DATE 05-07-75	250	78.0	78.0	77.5	78.3	78.0	78.5	79.3	80.0	83.0	85.5	86.5	88.3	92.2	94.6				126.6
RUN DBTF-MODEL 1	315	78.8	78.0	78.0	78.5	79.8	80.9	80.9	83.0	84.0	85.5	87.3	88.4	92.7	97.0				127.6
TAPE X10020	400	75.4	74.7	78.3	77.1	78.9	78.7	80.3	81.8	83.2	85.6	84.0	90.3	92.7	92.8				126.3
BAR 29.3 HG	500	76.1	77.6	78.6	77.8	78.7	79.6	81.7	82.2	84.2	85.2	86.4	92.4	92.8	92.8				127.1
(99043, N/M2)	630	76.6	78.4	79.2	78.2	79.7	79.8	82.3	83.6	84.7	86.9	86.9	90.6	91.6	92.8				126.6
TAN 64, DEG F	800	78.4	80.6	79.4	80.0	80.3	81.3	81.9	84.1	85.0	87.8	89.2	90.8	90.7	92.2				127.1
(291, DEG K)	1000	78.6	81.6	80.0	79.4	80.3	81.2	83.7	84.3	85.4	87.3	87.9	89.4	89.1	87.4				126.2
TWET 53, DEG F	1250	78.0	79.4	79.8	79.3	80.2	81.4	84.1	83.7	84.7	86.9	88.6	90.5	88.2	84.7				126.1
(285, DEG K)	1600	78.0	81.0	80.6	80.5	82.1	82.5	83.0	84.2	85.1	86.0	88.1	89.0	86.1	82.2				125.6
HACT 0, GM/M3	2000	79.6	79.6	79.8	81.9	82.2	82.9	82.8	84.3	85.2	85.9	87.4	88.3	84.6	82.3				125.4
(, KG/M3)	2500	79.0	80.3	81.2	80.4	81.1	82.2	83.2	84.9	85.5	87.1	88.0	88.4	84.9	82.2				125.7
FREQ. SHIFT	3150	78.0	80.4	81.3	82.2	82.6	82.8	84.0	85.4	86.0	87.8	89.1	88.9	86.3	83.6				126.6
JET 0	4000	77.1	80.7	81.4	82.0	82.4	83.8	84.6	86.4	87.8	88.6	90.3	89.8	87.0	85.0				127.6
DIAMETER RATIO	5000	78.2	82.0	82.6	82.6	83.2	84.5	86.0	88.0	89.0	91.0	91.9	91.3	89.2	87.1				129.2
DF/DX 1.00	6300	78.7	83.0	83.7	84.3	85.1	86.2	86.4	88.6	89.5	92.1	92.8	93.1	90.8	89.8				130.5
	8000	79.2	83.5	84.7	85.0	86.2	87.3	87.2	89.1	89.9	92.1	92.9	93.2	91.3	91.6				131.2
	10000	79.2	83.9	85.6	85.2	86.2	87.3	87.4	89.2	90.6	91.6	92.3	92.4	90.9	91.7				131.4
	12500	77.3	83.3	84.7	85.1	86.8	87.0	87.3	88.4	89.6	91.2	91.1	90.8	89.5	89.4				130.8
	16000	74.9	81.2	82.9	83.7	85.1	85.4	85.8	86.0	88.8	89.7	89.4	89.7	88.2	87.8				130.0
	20000	72.1	78.7	79.6	81.2	82.2	82.9	83.8	83.6	86.7	87.7	87.6	86.8	85.4	84.9				128.1
	25000	68.6	76.8	78.1	78.9	79.4	80.7	81.6	83.4	84.4	85.2	83.6	83.3	82.4	81.1				125.8
	31500	64.7	72.8	74.3	75.5	75.8	77.9	78.5	80.6	80.8	82.0	80.7	80.0	79.3	77.2				123.2
	40000	61.7	69.9	71.6	72.7	73.0	73.9	74.5	76.4	77.0	77.3	75.3	75.4	74.9	73.6				119.8
	50000	57.7	67.2	67.9	69.2	69.1	69.7	71.2	73.1	73.1	74.3	71.8	71.8	71.4	69.9				117.4
	63000	55.4	64.5	65.7	65.7	67.3	66.8	68.9	70.6	69.8	72.2	68.0	67.9	68.4	66.7				116.5
	80000	53.8	63.7	63.5	64.2	67.0	65.8	68.1	68.3	66.0	72.5	66.0	66.8	67.3	65.8				118.4
OVERALL MEASURED		94.2	94.2	94.9	95.2	96.2	97.0	97.8	99.4	100.5	102.0	102.8	103.8	103.7	104.7				141.8
OVERALL CALCULATED		103.2	105.7	106.3	106.6	107.4	108.4	109.3	111.0	112.1	113.9	114.9	115.8	114.5	114.0				
PND8																			

40

SPL INPUT AT STD REV. ALPHA 12/73	FREQ.	ANGLES FROM INLET IN DEGREES (AND RADIANS)																PWL	
		30° (0.52)	40° (0.70)	50° (0.87)	60° (1.05)	70° (1.22)	80° (1.40)	90° (1.57)	100° (1.75)	110° (1.92)	120° (2.09)	130° (2.27)	140° (2.44)	150° (2.62)	160° (2.79)	0° (0)	0° (0)		0° (0)
NO EGA	50	63.8	64.1	63.9	64.2	64.2	64.8	65.9	66.8	67.9	69.1	70.0	72.3	76.1	77.2				110.4
RDG. NO. 01	63	66.1	66.8	66.6	66.7	67.0	68.6	69.5	70.2	70.6	73.8	74.6	76.6	80.3	81.3				114.4
RADIAL 40 FT	80	67.1	67.9	63.3	68.6	68.8	69.4	71.1	72.1	73.3	74.6	76.5	79.9	83.3	85.4				117.1
(12 M)	100	70.1	70.9	71.4	71.1	70.6	72.1	74.9	76.3	77.7	78.6	80.4	84.8	88.8	89.4				121.6
VEHICLE JENOTS	125	72.9	71.9	71.9	72.4	72.7	75.4	78.4	78.4	80.2	82.2	83.7	87.6	91.3	93.0				124.6
CONFIG JE-059	160	77.1	75.4	74.6	75.6	75.9	78.1	81.1	81.6	83.4	84.6	85.6	88.9	91.8	93.3				125.8
LOC EVENDALE	200	77.3	77.8	76.3	76.5	77.5	79.0	80.5	82.5	83.3	85.8	86.6	89.9	92.2	96.0				127.0
DATE 05-07-75	250	79.3	79.3	79.0	79.8	79.8	80.3	81.0	82.5	87.8	86.5	88.0	90.0	93.7	95.9				128.0
RUN DBTF-MODEL 1	315	80.0	79.0	79.3	80.3	81.5	82.4	81.3	85.0	84.8	86.5	88.5	89.9	94.2	98.3				128.9
TAPE X10030	400	77.6	76.2	79.3	79.1	80.6	80.4	82.3	84.1	85.3	87.1	85.5	92.0	94.9	93.6				128.0
BAR 29.3 HG	500	77.8	79.1	80.6	79.3	80.2	81.6	83.4	84.9	86.7	86.9	88.7	94.1	94.6	94.3				128.9
(99043, N/M2)	630	78.6	79.9	80.9	79.9	81.4	81.5	84.1	85.1	87.2	86.9	89.4	92.3	93.9	93.8				128.6
TAMB 64 DEG F	800	79.7	82.9	81.9	81.5	82.3	82.3	83.9	84.9	86.3	87.3	89.8	91.2	92.5	91.7				128.9
(291, DEG K)	1000	80.8	83.1	82.0	81.1	82.3	83.7	84.9	86.4	86.3	87.6	89.6	90.2	91.4	90.3				128.1
TWET 53 DEG F	1250	80.5	81.2	81.8	81.3	82.7	83.7	86.4	85.9	87.4	89.1	90.8	92.0	88.9	89.9				128.1
(285, DEG K)	1600	79.5	82.5	82.9	82.7	84.3	84.5	85.5	86.5	87.3	88.7	90.3	90.7	87.4	84.7				127.8
HACT 0, G4/M3	2000	80.8	81.3	81.8	84.1	83.0	85.4	85.8	87.1	85.8	87.7	89.1	90.4	90.5	87.1				128.1
(1, K3/M3)	2500	80.5	82.8	83.7	83.7	84.3	84.9	86.2	87.6	89.0	90.3	90.5	90.7	87.1	84.7				128.6
FREQ. SHIFT	3150	80.0	82.6	84.8	84.9	85.8	86.1	87.0	88.1	89.3	91.6	92.4	91.6	88.8	86.9				129.7
JET 0	4000	79.6	83.7	84.2	85.3	85.9	87.0	88.6	89.9	90.5	92.6	93.0	93.0	89.8	87.7				130.8
DIAMETER RATIO	5000	81.0	84.5	85.3	86.3	86.7	88.0	89.5	91.7	93.0	95.0	95.4	95.3	92.2	90.3				132.9
DF/DH 1.00	6300	82.4	85.8	87.5	88.1	88.3	90.2	90.4	92.6	93.8	96.9	97.1	96.9	95.3	94.0				134.7
	8000	82.7	87.0	88.2	86.7	89.7	90.8	91.2	93.6	94.7	97.3	98.1	98.2	96.6	96.8				136.0
	10000	83.9	87.4	88.4	89.7	90.7	90.8	91.2	93.5	94.6	97.8	97.3	98.2	97.1	97.2				136.4
	12500	82.0	86.1	88.2	88.9	90.3	91.0	91.3	92.7	94.1	96.4	95.9	97.3	96.0	96.1				135.8
	16000	80.4	84.2	86.4	87.5	89.6	89.4	90.5	92.0	92.8	94.7	94.1	95.7	94.7	94.5				134.8
	20000	77.4	82.2	84.1	85.2	87.0	87.2	88.5	89.8	91.2	92.2	91.8	92.6	92.6	92.7				133.0
	25000	74.9	80.8	82.6	83.7	84.2	85.0	86.1	88.1	89.1	89.9	88.1	89.5	89.9	89.6				131.0
	31500	71.7	77.5	79.3	80.3	80.6	82.6	83.2	85.4	85.6	87.0	85.2	86.0	86.3	85.5				128.4
	40000	68.2	74.4	76.4	77.4	78.0	78.3	79.5	81.4	82.0	82.6	81.0	81.7	82.6	82.6				125.3
	50000	65.0	70.9	73.2	73.7	73.6	74.7	75.9	78.4	77.9	80.8	78.3	79.8	80.1	79.2				123.4
	63000	63.9	67.1	69.5	70.2	70.3	70.5	72.2	74.6	74.5	79.9	75.5	77.7	78.1	76.7				122.8
	80000	64.3	63.9	65.2	65.5	68.2	68.1	70.1	70.8	69.5	81.0	75.5	77.8	78.0	76.3				125.2
OVERALL MEASURED																			
OVERALL CALCULATED		93.9	96.7	97.9	98.6	99.6	100.3	101.2	103.0	104.2	106.3	106.5	107.5	107.1	107.5				145.6
PNDB		105.6	108.1	109.2	109.8	110.4	111.6	112.3	114.3	115.3	117.8	118.3	118.9	117.8	117.1				

ORIGINAL PAGE IS OF POOR QUALITY

MODEL SOUND PRESSURE LEVELS (59, DEG, F, 70 PERCENT REL HUM, DAY - JENOTS)
 PROC. DATE - MONTH 79 DAY 0 HR 08

SPL INPUT AT STD REV: ALPHA 12/73	FREQ.	ANGLES FROM INLET IN DEGREES (AND RADIANS)																		PWL
		30 (0.52)	40 (0.70)	50 (0.87)	60 (1.05)	70 (1.22)	80 (1.40)	90 (1.57)	100 (1.75)	110 (1.92)	120 (2.09)	130 (2.27)	140 (2.44)	150 (2.62)	160 (2.79)	170 (3.0)	180 (3.14)	190 (3.29)	200 (3.49)	
NO EGA	50	64.8	65.3	65.9	66.2	66.2	66.8	67.9	68.8	69.9	71.6	71.9	74.5	78.3	78.7					112.7
RDG: NO. 01	63	67.6	67.6	68.1	68.2	68.8	71.9	72.8	72.7	73.1	75.6	75.8	78.6	82.2	83.6					116.4
RADIAL 40. FT. (12. M)	80	68.9	69.4	70.5	70.6	70.3	71.2	72.6	73.6	74.6	78.6	78.5	82.1	85.0	87.4					119.2
VEHICLE JENOTS	100	71.9	72.4	73.1	72.9	72.6	74.4	76.7	78.1	79.7	81.1	81.4	84.4	86.5	90.5					123.4
CONFIG JE-059	125	74.7	73.7	73.4	74.9	74.2	76.9	79.9	80.4	81.7	84.4	85.9	87.6	90.4	92.8					126.3
LOC EVENDALE	160	79.6	77.4	76.6	77.1	77.1	80.1	82.6	82.9	85.1	86.9	87.6	90.4	93.6	95.3					127.7
DATE 05-07-75	200	78.8	79.0	77.8	78.3	78.8	81.0	82.3	83.5	85.3	87.5	88.3	91.6	94.7	99.0					129.4
RUN DBTF-MODEL 1	250	80.5	80.5	81.5	81.3	81.3	81.8	82.5	83.8	85.3	88.8	88.8	90.0	91.8	95.9					129.7
TAPE X10040	315	82.3	80.6	81.0	82.0	82.8	84.2	83.0	86.3	86.3	88.8	90.3	91.9	91.9	96.2					130.3
BAR 29.3 HG (99043, N/M2)	400	78.9	77.7	81.3	80.4	82.4	82.2	84.3	85.8	87.5	89.8	88.0	93.8	96.7	94.6					129.8
TAMB 64. DEG F (291. DEG K)	500	79.8	81.1	82.6	81.5	82.2	83.6	85.9	86.9	88.2	89.2	90.9	96.1	96.6	94.3					130.7
TWET 53. DEG F (285. DEG K)	600	80.1	82.4	83.2	82.4	83.9	83.8	86.1	87.4	88.9	89.7	92.4	95.1	95.4	94.1					130.6
HACT 01 GH/M3 (. KG/M3)	800	81.2	84.6	83.9	84.0	84.3	84.5	85.9	88.6	88.6	90.0	92.3	93.9	95.3	93.9					131.1
FREQ. SHIFT	1000	82.6	85.1	84.3	83.9	84.8	85.4	87.2	88.3	90.1	92.3	93.4	95.7	91.6	89.4					130.5
DIAMETER RATIO DF/DH 1.00	1250	82.0	83.4	84.3	84.3	85.2	85.7	88.9	89.2	89.7	92.4	94.3	94.5	90.7	87.4					130.8
	1600	81.5	85.2	84.6	85.0	86.3	87.2	88.8	89.0	90.7	92.2	93.3	92.7	90.1	86.2					130.5
	2000	83.6	84.1	84.5	86.9	87.5	87.9	88.3	89.6	90.7	92.6	93.4	93.3	90.3	87.3					130.9
	2500	82.5	85.3	86.5	86.7	87.1	87.7	88.9	90.6	91.5	93.8	93.5	93.2	89.6	87.2					131.4
	3150	82.5	86.1	87.0	87.9	88.8	88.8	90.0	91.4	92.0	95.1	94.6	93.9	91.0	88.6					132.5
	4000	82.6	85.9	87.4	88.5	89.1	90.0	91.1	92.5	93.8	96.6	96.0	95.0	92.5	89.2					133.9
	5000	83.7	87.5	88.3	89.6	90.0	91.3	92.5	93.9	96.3	99.2	97.7	97.6	94.7	92.6					136.0
	6300	84.9	88.8	90.2	91.1	91.6	92.9	93.9	96.3	97.5	100.9	100.3	99.6	97.8	96.0					138.0
	8000	85.9	90.5	91.5	92.0	93.2	94.0	94.4	97.1	98.1	101.8	100.9	101.4	99.3	98.6					139.4
	10000	87.9	90.1	91.4	92.7	93.7	94.1	94.7	97.5	99.3	101.6	101.1	101.9	100.1	100.5					140.1
	12500	85.8	93.6	91.9	92.9	93.8	93.5	94.8	96.9	98.1	100.7	99.9	101.1	99.8	99.6					139.7
	16000	90.4	95.2	94.2	97.2	98.9	94.9	94.3	96.3	97.8	99.2	99.9	101.4	103.4	104.5					141.4
	20000	82.4	88.7	89.4	90.5	91.0	90.7	91.3	93.6	94.9	95.9	95.6	96.6	96.4	95.7					136.8
	25000	80.6	87.6	89.1	89.4	89.4	89.3	89.8	91.6	91.9	93.7	92.4	94.5	94.1	93.8					135.2
	31500	77.2	84.5	85.1	86.8	86.8	87.9	87.7	89.1	89.3	90.5	89.4	91.3	91.6	87.9					133.1
	40000	73.4	80.4	82.1	82.9	83.0	83.5	84.2	85.8	85.8	86.3	85.3	87.2	87.4	87.9					129.9
	50000	69.7	75.9	77.7	79.2	79.1	80.4	81.4	82.6	81.6	83.8	81.8	83.8	85.1	85.0					127.8
	63000	67.4	72.1	73.7	75.7	74.8	77.3	79.0	79.6	79.0	82.7	79.0	81.4	82.9	82.2					127.1
	80000	65.6	66.9	68.7	70.2	70.0	76.3	77.9	77.8	76.0	82.3	76.8	80.0	80.8	79.0					128.4
OVERALL MEASURED		97.5	101.1	101.7	103.0	104.0	103.6	104.3	106.4	107.8	110.1	109.8	110.7	110.4	110.6					149.3
OVERALL CALCULATED		108.0	110.8	111.9	112.6	113.2	114.2	115.3	117.6	118.7	121.5	121.3	121.5	120.2	118.9					
PND8																				

42

SPL INPUT AT STD REV: ALPHA 12/73	FREQ	ANGLES FROM INLET IN DEGREES (AND RADIANS)																		PWL
		30, (0,52)	40, (0,70)	50, (0,87)	60, (1,05)	70, (1,22)	80, (1,40)	90, (1,57)	100, (1,75)	110, (1,92)	120, (2,09)	130, (2,27)	140, (2,44)	150, (2,62)	160, (2,79)	0, (0,0)	0, (0,0)	0, (0,0)		
RDG: NO BBA	50	66,1	66,8	67,4	67,4	67,5	68,1	69,4	70,0	70,6	71,6	73,8	76,3	80,3	81,2				114,1	
RADIAL 40 FT	63	69,1	71,1	71,1	70,5	72,0	72,4	73,8	74,7	74,6	75,8	77,6	80,4	84,0	85,3				118,1	
VEHICLE JENOTS	80	70,9	72,4	72,3	73,1	72,5	72,9	74,8	75,3	76,6	78,4	81,0	84,6	87,3	89,4				121,2	
CONFIG HL-059	100	74,9	74,6	74,9	74,4	74,1	75,9	78,4	80,1	81,5	82,4	84,6	89,0	92,8	93,2				125,6	
LOC EYE/DALE	125	77,2	75,7	75,9	76,4	76,4	79,4	82,1	82,2	83,7	86,4	88,2	91,6	95,0	95,5				128,4	
DATE 05-04-75	160	81,1	78,6	78,9	79,6	79,6	82,8	84,3	84,4	87,4	88,9	89,6	93,1	95,8	97,6				129,9	
RUN DBTF-MODEL 1	200	81,0	81,0	79,8	79,8	80,3	82,8	84,0	85,3	87,0	89,5	90,6	93,6	97,0	99,3				130,9	
TAPE M10050	250	82,8	83,0	82,5	82,8	83,0	83,5	84,8	85,5	87,0	89,0	90,0	93,0	97,9	99,4				131,3	
BAR 29,3	315	84,3	83,0	83,0	83,8	84,8	85,9	84,8	88,3	88,5	90,0	92,8	94,9	98,4	100,3				132,4	
(99,343, 1/242)	400	80,9	79,4	82,8	82,6	84,1	83,9	86,0	88,1	89,3	91,6	90,8	96,3	99,4	96,1				132,1	
TAHT 64, 288 F	500	82,1	83,1	84,6	83,8	84,9	86,1	87,9	88,1	90,7	91,9	93,9	96,9	99,1	95,8				133,2	
THET 53, 288 F	630	82,6	84,9	85,7	84,2	85,7	85,5	88,1	89,1	91,2	92,2	94,9	97,6	97,9	95,3				132,8	
HACT 0, 60/43	800	83,4	86,6	86,9	86,5	86,8	87,3	88,6	89,9	91,9	92,0	95,0	97,5	96,2	94,9				133,5	
(1, 60/43)	1000	85,1	87,4	86,8	86,4	86,5	87,7	89,9	90,8	92,4	95,3	96,9	96,2	94,8	91,7				133,3	
JST	1250	85,0	85,9	86,6	86,8	87,2	88,4	91,4	91,4	92,9	95,9	97,6	98,0	93,2	90,4				133,9	
DF/DH 1,00	1600	84,0	87,0	87,1	87,2	88,6	89,5	90,5	92,0	93,3	95,7	96,8	96,5	93,4	89,7				133,6	
OVERALL MEASURED	2000	86,1	86,6	86,3	89,6	90,0	90,4	91,0	92,4	94,5	96,4	96,9	96,4	93,8	90,5				134,2	
OVERALL CALCULATED	2500	85,5	87,3	88,5	88,4	89,3	90,7	91,2	93,1	95,0	97,8	96,5	96,4	93,4	90,5				134,5	
PNDB	3150	85,8	88,4	89,3	89,9	90,6	91,1	92,0	94,4	95,3	99,3	97,9	97,9	95,0	91,5				135,8	
	4000	84,6	87,7	88,9	90,3	91,1	92,5	93,6	95,2	97,0	100,1	98,5	98,5	95,5	93,0				136,7	
	5000	86,2	88,7	89,8	91,1	91,5	93,3	95,0	97,5	99,6	101,7	100,7	100,7	98,0	95,5				138,6	
	6300	87,7	90,3	91,7	92,8	93,8	94,9	95,9	98,3	100,5	103,1	102,3	102,4	100,5	98,5				140,4	
	8000	88,9	91,5	92,0	93,5	94,7	95,5	96,2	98,9	100,9	104,3	103,1	104,2	102,8	101,6				141,7	
	10000	90,2	91,6	93,1	94,7	95,2	95,8	96,7	99,2	101,6	104,1	103,3	104,9	103,6	102,7				142,5	
	12500	89,3	92,6	93,9	94,4	95,3	95,8	96,6	99,1	101,9	104,1	102,6	103,6	103,5	102,9				142,1	
	16000	88,6	92,9	93,9	93,7	94,6	94,7	95,3	97,8	99,1	100,2	100,4	102,2	100,9	101,0				140,8	
	20000	87,1	92,7	92,9	94,0	94,0	93,2	94,0	95,1	96,7	98,2	97,6	99,3	98,1	97,7				139,1	
	25000	84,9	91,1	92,1	93,2	92,9	93,0	91,8	93,4	93,9	95,2	94,6	96,3	95,9	94,6				137,5	
	31500	80,0	86,3	87,6	89,0	89,3	90,4	90,0	91,4	91,1	92,5	91,4	93,3	92,6	90,7				135,0	
	40000	76,4	82,6	84,1	85,7	86,0	86,0	86,2	87,4	87,8	88,8	87,5	89,4	89,4	88,1				132,1	
	50000	72,5	79,4	81,2	82,2	82,6	82,4	83,2	84,4	84,4	86,3	84,5	87,0	86,9	85,0				130,2	
	63000	69,6	76,6	78,0	79,2	79,3	79,4	80,2	81,6	81,6	84,4	81,2	83,7	84,1	81,9				129,2	
	80000	66,8	74,9	74,7	75,7	78,0	77,3	78,6	79,3	78,0	83,3	78,8	81,3	82,0	79,8				130,1	

ORIGINAL PAGE IS
OF POOR QUALITY

MODEL SOUND PRESSURE LEVELS (59, DB, F, 70 PERCENT REL. HUM, DAY - JENOTS)

SPL INPUT AT STD REV. ALPHA 12/73	ANGLES FROM INLET IN DEGREES (AND RADIANS)																		PWL
	30, (0.52)	40, (0.70)	50, (0.87)	60, (1.05)	70, (1.22)	80, (1.40)	90, (1.57)	100, (1.75)	110, (1.92)	120, (2.09)	130, (2.27)	140, (2.44)	150, (2.62)	160, (2.79)	0, (0)	0, (0)	0, (0)		
NO EQA	50	60,6	61,3	61,9	62,2	63,0	62,6	63,9	65,0	65,4	66,3	68,5	71,0	74,8	74,9			108,6	
RDG. NO. 0	63	62,8	63,8	63,7	63,7	65,5	66,9	67,0	68,2	68,4	70,1	71,8	75,6	78,7	79,3			112,4	
RADIAL 40 FT. (12 M)	80	65,1	66,1	66,3	66,4	66,8	67,2	69,3	69,6	70,8	72,9	75,2	79,1	81,8	83,6			115,6	
VEHICLE JENOTS	100	68,4	68,6	69,4	68,6	68,1	70,1	73,2	74,6	75,7	77,1	79,4	83,8	87,5	87,7			120,2	
CONFIG JE-059	125	71,7	73,9	70,4	71,4	70,9	73,4	76,4	76,7	77,9	80,4	82,2	86,3	89,5	91,3			122,9	
LOC EVENDALE	160	76,4	73,6	72,9	73,9	74,1	76,1	78,6	78,9	81,4	82,6	84,1	87,1	90,3	91,6			124,1	
DATE 05-07-75	200	76,8	76,5	74,3	74,5	75,0	75,8	78,3	78,3	79,5	81,8	84,3	86,3	89,6	92,5			126,3	
RUN DATE-MODEL 1	250	79,5	79,3	77,5	78,3	78,0	78,3	79,0	81,5	81,5	83,8	87,8	90,3	92,3	95,9			129,5	
TAPE X10060	315	80,0	78,5	77,8	78,3	79,8	81,4	80,3	85,3	86,3	89,3	91,8	92,6	97,4	101,0			131,4	
BAR 29.3 HG (99043 N/M2)	400	76,6	75,2	78,3	77,1	78,4	78,7	81,0	83,3	85,8	89,1	88,8	94,3	97,9	97,1			130,3	
TAMB 66 DEG F (292 DEG K)	500	77,1	78,1	78,6	77,0	77,9	79,9	81,2	82,9	84,9	86,4	88,4	94,4	96,8	95,6			129,4	
THET 53 DEG F (285 DEG K)	630	77,6	78,2	78,9	77,4	78,7	78,8	81,8	83,6	85,7	86,9	89,9	94,1	95,6	97,1			129,6	
HACT 0 GM/M3 (KG/M3)	800	77,7	80,6	78,6	79,5	79,8	80,0	81,4	84,6	85,8	89,3	91,2	92,8	93,7	94,9			128,9	
FREQ. SHIFT	1000	78,3	81,4	79,8	78,9	79,5	80,9	82,9	84,1	86,1	89,1	90,2	92,2	91,3	89,7			127,7	
JET 0	1250	77,5	78,4	79,4	79,0	79,7	80,9	84,2	83,9	85,4	88,6	91,1	92,5	90,2	86,7			127,6	
DIAMETER RATIO	1600	77,3	79,7	79,6	80,0	80,6	82,0	82,3	83,7	85,3	87,3	89,3	93,5	87,1	84,0			126,2	
DF/DM 1.00	2000	78,3	78,1	78,5	80,7	81,2	81,6	81,8	83,3	84,7	86,6	87,9	89,5	85,6	82,8			125,4	
	2500	77,6	79,3	80,0	79,0	79,9	80,7	81,9	83,9	84,5	86,6	87,8	88,4	84,2	81,0			125,1	
	3150	76,6	79,2	80,0	80,2	80,8	81,3	82,3	83,6	84,3	85,9	87,9	87,6	84,6	81,9			125,0	
	4000	76,2	78,4	79,5	80,3	80,6	81,3	82,6	84,2	85,3	87,4	87,8	87,3	84,8	82,8			125,5	
	5000	77,5	79,5	80,1	81,1	81,1	82,1	83,5	85,3	86,8	88,8	89,2	89,1	86,5	84,9			126,9	
	6300	76,5	80,1	81,0	81,4	82,9	83,2	83,9	86,1	87,1	88,9	89,4	89,2	87,6	86,6			127,5	
	8000	75,8	80,6	81,8	82,3	83,3	84,4	84,5	86,0	86,8	88,9	89,0	88,8	87,2	87,7			127,8	
	10000	75,8	81,3	82,3	82,9	83,8	84,7	84,8	85,6	86,5	88,3	89,2	88,3	86,5	86,9			128,0	
	12500	73,7	80,8	81,4	82,8	84,2	84,4	84,0	85,4	85,5	87,9	88,0	87,0	85,7	84,8			127,5	
	16000	71,6	78,4	79,6	81,4	82,4	82,9	82,7	84,5	85,0	86,2	85,8	85,4	83,9	82,7			126,5	
	20000	68,4	75,7	76,9	78,7	79,5	79,7	80,8	82,5	83,2	84,2	83,8	82,8	81,1	80,4			124,6	
	25000	65,4	72,8	74,3	76,2	76,7	77,7	78,1	79,8	80,6	81,4	79,9	80,0	78,6	76,6			122,3	
	31500	61,7	69,5	70,8	72,5	72,8	75,1	75,2	77,1	77,3	78,7	76,6	77,2	75,8	73,4			119,9	
	40000	58,9	66,6	67,3	68,9	69,4	70,2	71,7	73,1	73,2	74,5	71,7	73,1	73,3	71,3			116,7	
	50000	56,0	63,0	64,2	65,5	66,4	67,0	68,8	69,7	69,7	71,9	68,9	73,6	74,2	71,5			115,7	
	63000	55,4	59,9	60,8	61,7	66,3	65,3	67,0	68,1	67,1	71,2	65,8	74,7	75,7	73,5			117,2	
	80000	55,9	56,7	57,0	58,0	66,8	66,1	68,2	67,1	64,5	72,0	65,6	77,1	77,3	74,5			121,3	
OVERALL MEASURED		90,6	92,6	93,0	93,5	94,3	95,1	96,0	97,7	99,1	101,2	102,5	104,3	105,8	106,7			141,5	
OVERALL CALCULATED		102,3	104,3	104,8	105,1	105,7	106,7	107,7	109,3	110,8	112,9	113,9	114,9	114,9	114,8				

44

SPL INPUT AT STD REV: ALPHA 12/73	FREQ.	MODEL SOUND PRESSURE LEVELS (59, DEG. F, 70 PERCENT REL. HUM, DAY = JENOTS)																		PWL
		ANGLES FROM INLET IN DEGREES (AND RADIANS)																		
		30	40	50	60	70	80	90	100	110	120	130	140	150	160	0	0	0		
NO EGA	50	63,3	64,1	64,1	63,9	63,7	64,3	64,9	64,9	76,3	76,9	68,6	70,5	73,3	76,8	76,9	76,9	76,9	113,2	
RDG; NO. 01	63	65,6	66,1	66,4	66,2	67,0	68,4	68,8	68,8	79,7	80,1	73,3	74,8	77,4	80,7	81,1	81,1	81,1	116,8	
RADIAL 40 FT	80	66,6	67,4	68,3	68,4	68,8	68,7	70,8	81,3	82,6	74,4	77,5	80,9	83,3	85,4	85,4	85,4	85,4	119,4	
(12 M)	100	70,9	71,4	71,4	70,4	69,9	72,1	74,9	86,1	87,7	78,1	80,6	83,3	89,3	89,4	89,4	89,4	89,4	124,1	
VEHICLE JENOTS	125	73,7	72,4	72,2	72,9	72,7	74,7	77,4	87,9	89,2	82,4	84,2	88,1	91,5	92,8	92,8	92,8	92,8	126,5	
CONFIG JE-059	160	77,9	75,1	74,6	75,1	75,4	77,6	80,1	90,4	93,1	84,4	85,6	89,4	92,1	92,8	92,8	92,8	92,8	128,5	
LOC EVENDALE	200	78,3	77,8	75,3	76,0	76,3	78,3	79,5	91,0	92,5	85,3	87,3	90,9	94,2	96,5	96,5	96,5	96,5	129,6	
DATE 05-07-75	250	80,0	79,8	79,0	79,0	79,3	79,5	80,5	92,5	98,8	88,3	90,5	92,8	96,9	97,9	97,9	97,9	97,9	133,0	
RUN DBTF-MODEL 1	315	80,8	79,0	78,5	79,3	80,5	82,2	81,3	95,8	96,8	89,0	91,8	92,9	97,7	101,0	101,0	101,0	101,0	133,6	
TAPE X10070	400	77,4	75,4	78,8	78,4	79,4	80,1	81,8	94,6	97,0	89,1	88,5	94,8	98,2	97,6	97,6	97,6	97,6	133,0	
BAR 29.3 HG	500	78,6	79,1	80,1	78,3	79,7	81,1	82,9	94,2	96,7	86,2	89,4	95,6	97,6	96,3	96,3	96,3	96,3	132,6	
(99043 N/M2)	630	78,6	79,4	79,7	78,7	79,9	80,0	83,3	94,6	96,7	86,9	90,7	94,8	95,9	97,1	97,1	97,1	97,1	132,5	
TAMB 66 DEG F	800	78,9	81,4	80,1	80,3	81,3	81,3	82,9	95,9	97,5	89,5	92,2	94,3	93,7	94,2	94,2	94,2	94,2	132,8	
(292 DEG K)	1000	79,8	82,1	80,8	80,4	80,8	82,4	85,2	98,4	97,4	89,3	90,7	93,2	91,6	88,9	88,9	88,9	88,9	132,2	
TWET 53 DEG F	1250	78,5	79,7	80,4	80,3	81,2	82,1	85,2	98,4	97,4	89,3	90,7	93,2	91,6	88,9	88,9	88,9	88,9	132,2	
(285 DEG K)	1600	78,0	81,2	81,4	81,5	82,3	83,0	84,5	95,4	96,6	88,1	91,6	93,5	89,7	86,4	86,4	86,4	86,4	131,9	
HACT 0. G4/M3	2000	79,6	79,6	80,5	82,7	83,7	83,9	84,8	95,6	96,0	87,9	89,7	90,3	86,8	83,8	83,8	83,8	83,8	131,2	
(. KG/M3)	2500	79,3	81,3	82,8	81,7	82,1	83,9	84,4	96,2	97,0	88,1	89,3	89,7	85,9	82,7	82,7	82,7	82,7	131,7	
FREQ. SHIFT	3150	78,8	81,4	82,8	82,7	83,8	84,1	85,3	97,7	97,1	89,4	90,4	89,9	87,6	84,4	84,4	84,4	84,4	132,2	
JET 0	4000	77,9	81,2	82,2	83,8	84,1	85,3	85,9	97,6	98,8	90,6	91,6	90,6	88,3	85,8	85,8	85,8	85,8	133,6	
DIAMETER RATIO	5000	79,5	83,0	83,4	84,4	84,6	86,1	87,5	99,5	100,6	93,0	93,2	93,1	90,5	88,4	88,4	88,4	88,4	135,6	
DF/DN 1.00	6300	80,0	83,6	84,5	85,6	86,2	87,7	88,2	100,4	101,6	94,2	94,9	94,5	92,9	90,9	90,9	90,9	90,9	136,7	
	8000	80,5	85,1	85,8	86,6	87,8	88,4	89,0	101,0	102,6	94,2	95,0	95,5	93,7	93,4	93,4	93,4	93,4	137,7	
	10000	81,1	85,3	86,0	87,1	88,3	88,7	89,3	101,9	102,7	94,0	94,5	94,8	93,8	93,6	93,6	93,6	93,6	138,0	
	12500	78,9	84,5	85,8	86,8	87,7	88,7	89,2	100,4	101,5	93,4	93,5	93,5	92,4	92,1	92,1	92,1	92,1	137,5	
	16000	77,3	82,6	83,9	84,9	87,1	87,9	88,2	100,0	100,5	91,4	91,6	92,1	91,1	90,5	90,5	90,5	90,5	137,0	
	20000	74,1	80,2	81,4	82,4	84,5	85,2	85,8	97,3	98,7	89,2	89,1	89,3	88,1	85,4	85,4	85,4	85,4	135,2	
	25000	71,1	77,8	79,3	80,7	81,7	82,7	83,6	95,6	96,6	87,1	85,6	86,3	85,1	84,3	84,3	84,3	84,3	133,5	
	31500	67,2	74,5	75,3	77,3	77,6	80,4	80,4	92,9	92,3	84,5	82,9	83,0	82,3	80,9	80,9	80,9	80,9	130,7	
	40000	64,6	71,3	72,8	74,1	73,9	75,2	76,7	88,3	89,4	80,7	78,4	78,6	78,6	77,6	77,6	77,6	77,6	127,7	
	50000	62,8	68,2	69,2	70,5	70,7	72,0	73,0	85,0	85,5	78,1	75,1	76,8	76,7	74,5	74,5	74,5	74,5	125,3	
	63000	63,4	65,4	66,3	67,5	68,5	68,3	70,0	81,6	81,8	78,5	74,0	76,2	76,7	74,0	74,0	74,0	74,0	124,5	
	80000	63,6	64,2	63,8	64,8	68,0	66,9	68,4	79,1	77,3	80,0	75,1	77,1	77,6	75,5	75,5	75,5	75,5	126,2	
OVERALL MEASURED		92,6	95,2	95,9	96,5	97,5	98,4	99,4	111,1	112,5	104,2	105,2	106,6	107,3	107,7	107,7	107,7	107,7	148,1	
OVERALL CALCULATED		104,3	106,7	107,3	107,9	108,5	109,7	110,8	122,6	124,0	115,9	117,1	117,8	117,1	116,0	116,0	116,0	116,0		

45

★ 10 dB TOO HIGH

ORIGINAL PAGE IS
OF POOR QUALITY

SPL INPUT AT STD REV: ALPHA 12/73	FREQ	ANGLES FROM INLET IN DEGREES (AND RADIANS)																PHL	
		30° (0.52)	40° (0.70)	50° (0.87)	60° (1.05)	70° (1.22)	80° (1.40)	90° (1.57)	100° (1.75)	110° (1.92)	120° (2.09)	130° (2.27)	140° (2.44)	150° (2.62)	160° (2.79)	0° (0.0)	0° (0.0)		0° (0.0)
NO EGA	50	64.6	64.8	65.4	65.7	66.0	66.6	68.9	69.5	70.2	72.3	73.8	75.3	78.8	77.9				112.9
RDG. NO. 0	63	67.3	67.6	67.6	68.7	69.0	70.4	72.3	72.9	73.1	74.8	76.8	79.1	82.7	82.8				116.5
RADIAL 40 FT. (12. M)	80	68.9	70.1	70.3	70.6	70.8	70.9	73.3	73.3	75.3	77.4	79.2	82.6	85.3	86.6				119.2
VEHICLE JENOTS CONFIG JE-059	100	73.1	72.9	73.6	72.9	72.6	73.6	77.2	78.1	79.2	81.4	83.1	87.0	91.0	90.9				123.7
LOC EVENDALE	125	75.4	74.7	74.2	75.2	74.4	77.2	79.9	80.4	81.2	85.4	86.2	89.8	93.3	94.0				126.5
DATE 05-07-75	160	80.6	77.9	77.1	77.9	77.6	79.9	82.6	82.9	83.4	87.1	88.1	91.1	94.1	95.1				128.0
RUN DBTF-MODEL 1	200	79.8	79.8	78.3	78.3	78.3	80.9	82.0	83.0	85.3	87.5	89.3	93.1	96.0	98.0				129.7
TAPE X10080	250	82.0	81.3	80.3	80.5	80.8	81.8	82.8	84.0	87.0	89.3	91.8	94.3	98.4	99.1				131.6
BAR 29.3 HG (99009, N/M2)	315	82.5	81.0	80.5	81.3	81.3	83.7	83.0	85.4	87.0	89.5	92.8	94.6	99.2	102.3				132.9
TAMP 70 DEG F (294, DEG K)	400	79.1	77.4	81.0	80.1	81.9	82.4	83.8	85.6	88.3	90.8	90.5	96.0	99.4	98.6				132.0
THWT 57 DEG F (297, DEG K)	500	80.3	80.8	82.1	81.0	81.7	83.1	85.2	86.7	88.4	89.7	91.9	97.4	98.6	97.1				132.0
HACT 01 G4/M3 (, KG/M3)	630	80.6	81.2	82.4	81.4	82.4	83.0	85.6	86.9	88.7	88.9	92.7	96.6	97.6	96.8				131.6
FREQ. SHIFT	800	80.7	84.1	82.6	83.0	83.8	83.5	85.9	88.4	89.3	92.0	93.4	95.8	95.4	95.2				131.4
JET 0	1000	82.1	87.4	83.0	83.2	83.9	84.9	86.7	88.1	88.4	92.1	93.0	94.7	92.4	89.9				130.5
DIAMETER RATIO	1250	81.0	82.4	82.9	83.0	83.7	84.9	86.2	87.7	88.2	90.9	93.8	95.0	91.2	87.9				130.3
DF/DH 1.00	1600	80.3	83.7	83.6	84.3	85.3	86.0	87.0	87.7	88.6	90.7	92.3	93.0	89.9	85.7				129.5
	2000	81.8	82.1	83.0	85.4	85.2	86.6	87.5	88.3	89.2	90.6	92.2	92.3	88.8	85.8				129.6
	2500	81.3	83.8	83.2	84.7	85.3	86.4	88.2	88.9	89.8	91.6	92.0	91.9	88.1	85.5				129.8
	3150	81.0	84.4	86.0	86.4	86.8	87.6	89.0	89.6	90.3	92.8	93.1	92.3	89.3	87.6				130.9
	4000	80.6	84.4	85.9	86.8	87.1	88.5	89.3	90.9	92.0	94.1	93.7	93.0	89.7	88.2				131.8
	5000	82.4	85.7	86.8	87.8	88.5	89.8	91.0	93.0	94.9	96.4	95.9	95.3	92.2	90.3				133.9
	6300	83.4	87.7	88.4	89.8	90.5	91.9	92.3	94.3	95.5	98.1	97.5	97.6	95.3	94.3				135.8
	8000	84.3	89.4	89.7	90.4	91.6	92.7	92.9	95.6	97.1	99.0	99.3	98.9	96.5	96.8				137.4
	10000	85.6	88.6	89.6	90.9	92.1	92.7	93.3	95.9	97.7	99.3	99.0	99.6	98.0	98.6				138.2
	12500	83.7	88.2	89.3	89.8	91.7	92.9	93.4	95.6	96.5	98.3	98.0	98.7	97.4	97.5				137.7
	16000	84.0	89.1	90.3	93.4	94.5	93.1	92.9	94.4	95.5	96.9	96.5	98.1	97.3	99.2				137.9
	20000	80.0	86.3	87.3	89.6	90.4	89.9	90.4	91.7	93.6	94.3	94.0	94.5	94.0	95.1				135.3
	25000	76.8	84.7	85.0	86.1	86.9	87.6	88.3	90.0	90.8	91.8	91.8	91.4	91.0	90.7				133.0
	31500	73.4	81.2	82.0	83.2	83.8	85.6	85.7	87.1	87.2	88.2	87.1	86.5	87.5	87.2				130.4
	40000	69.9	77.4	78.9	79.4	80.7	81.5	81.7	83.6	84.0	84.5	83.0	84.1	83.8	84.4				127.5
	50000	66.5	72.9	74.7	76.3	75.9	78.4	79.4	80.2	82.1	82.1	79.6	81.3	80.9	81.0				125.4
	63000	64.8	68.7	70.4	72.3	72.4	75.9	77.6	78.7	77.1	78.7	78.9	78.8	79.3	78.3				125.1
	80000	65.9	64.8	66.3	67.6	68.6	75.9	78.0	77.9	75.4	81.9	75.9	78.4	78.7	76.4				127.6
OVERALL MEASURED																			
OVERALL CALCULATED		95.6	99.0	99.6	100.8	101.8	102.3	103.1	104.9	106.3	108.0	108.3	109.5	109.5	109.9				
PND8		106.9	109.9	110.5	111.5	112.0	113.2	114.2	115.9	117.2	119.4	119.7	120.4	119.1	118.3				147.6

46

SPL INPUT AT STD REV. ALPHA 12/73	FREQ.	MODEL SOUND PRESSURE LEVELS (59, DEG, F., 70 PERCENT REL. HUM., DAY - JENOTS)																PWL	
		30'	40'	50'	60'	70'	80'	90'	100'	110'	120'	130'	140'	150'	160'	0'	0'		0'
		ANGLES FROM INLET IN DEGREES (AND RADIANS)																	
ND EGA	50	67,8	68,3	68,1	67,9	67,7	68,6	71,1	72,5	73,6	73,8	74,8	77,8	81,3	80,2				115,1
RDG: NO. 0	63	69,6	69,6	70,4	70,5	71,0	73,6	74,0	74,9	76,1	77,1	78,3	81,4	84,7	84,8				118,6
RADIAL 40, FT.	80	71,6	72,6	72,8	72,9	72,8	73,2	75,3	76,3	77,6	78,9	81,5	84,6	87,5	88,9				121,3
(12, M)	100	75,1	75,1	75,6	74,6	74,6	76,4	79,4	81,1	81,7	83,1	84,9	89,5	93,3	92,9				125,9
VEHICLE JENOTS	125	77,7	76,7	76,2	76,7	76,4	79,2	82,1	82,7	83,7	86,2	88,2	91,8	95,0	96,0				128,3
CONFIG JE-059	160	82,6	79,9	79,1	79,9	79,9	82,1	85,1	85,1	87,6	88,9	89,9	92,9	95,8	96,8				129,8
LOC EVENDALE	200	82,0	81,3	80,5	80,5	80,5	82,5	84,0	85,0	87,0	89,5	91,3	95,1	98,2	99,0				131,5
DATE 05-07-75	250	83,5	83,3	82,5	82,8	82,8	83,8	84,0	85,8	88,8	91,0	90,8	93,3	95,8	99,9	100,9			133,1
RUN D8TF-MODEL 1	315	84,5	83,0	82,5	83,3	84,5	85,4	84,8	88,8	90,8	93,1	93,8	96,1	101,2	103,3				134,4
TAPE X10090	400	80,9	79,4	83,5	82,4	84,1	84,1	86,0	87,6	90,0	93,1	92,8	98,1	100,7	99,8				133,7
BAR 29,3 HG	500	81,6	82,8	84,3	83,3	84,7	85,4	87,4	88,4	90,4	92,4	93,9	99,6	100,1	98,3				133,9
(99043, N/M2)	630	82,3	84,2	84,7	83,7	84,9	85,3	88,1	88,9	91,2	91,9	95,4	98,6	98,6	97,8				133,3
TMR 70, DEG F	800	82,7	86,4	85,4	85,8	86,5	86,8	87,9	90,9	91,5	95,0	96,4	97,5	96,4	96,9				133,6
(294, DEG K)	1000	84,3	89,1	86,0	85,7	86,0	87,2	88,9	89,8	91,9	94,6	96,0	96,4	94,6	92,7				132,8
TWET 57, DEG F	1250	84,0	85,2	86,4	86,0	86,7	87,9	90,4	93,2	91,4	94,4	96,3	97,2	93,7	90,2				133,0
(287, DEG K)	1600	83,3	87,0	86,1	86,7	87,8	88,7	89,8	91,0	91,8	94,5	95,6	96,0	93,1	89,0				132,7
HACT 0, GM/M3	2000	85,1	85,3	86,0	88,6	89,5	89,6	90,5	91,1	93,0	94,9	95,4	95,0	92,3	89,5				132,9
(, KG/M3)	2500	84,3	86,3	88,2	87,9	88,6	89,2	90,7	92,1	93,8	96,1	95,5	95,4	92,1	89,7				133,4
FREQ. SHIFT	3150	84,3	86,3	88,2	89,7	90,3	90,3	92,0	92,9	94,0	97,4	96,2	95,9	94,1	90,6				134,4
JET 0	4000	83,6	87,2	88,9	89,5	90,4	91,3	92,8	94,4	95,3	98,9	97,3	97,0	94,3	92,0				135,6
DIAMETER RATIO	5000	85,2	88,0	89,6	90,3	91,0	92,6	94,0	96,3	97,8	101,0	99,4	99,3	96,5	94,6				137,6
DP/DM 1:00	6300	86,0	89,0	91,2	92,3	92,6	94,4	95,1	97,1	99,0	102,4	101,1	100,9	99,1	98,3				139,3
	8000	87,2	90,5	91,5	93,0	94,2	94,5	95,4	97,6	100,0	102,4	101,9	102,7	100,9	101,9				140,5
	10000	89,0	90,7	91,9	93,7	94,2	95,1	95,7	98,3	100,4	102,6	102,4	103,0	102,2	103,0				141,3
	12500	87,3	91,4	92,7	93,7	94,6	94,8	95,6	97,7	99,1	101,5	101,1	101,8	101,5	101,9				140,8
	16000	86,2	91,2	92,2	92,5	93,2	93,7	94,4	96,3	97,4	99,3	98,7	100,5	99,7	100,1				139,5
	20000	85,0	91,3	92,0	92,3	92,1	92,0	93,1	94,6	95,5	96,8	96,2	97,4	97,0	97,0				137,9
	25000	82,5	89,7	90,9	91,8	91,8	91,6	90,9	92,2	93,0	94,5	93,3	94,9	94,5	94,4				136,4
	31500	78,3	85,1	86,9	87,9	87,9	89,5	88,8	89,8	89,4	91,6	90,8	91,9	91,4	90,6				133,9
	40000	74,3	81,3	83,0	84,6	84,1	84,9	85,4	86,3	86,4	87,2	86,4	87,5	87,7	88,3				130,8
	50000	70,8	77,3	79,5	81,1	79,7	81,0	83,1	83,2	83,3	84,9	83,2	83,4	85,2	84,8				128,9
	63000	68,3	73,0	75,6	76,9	75,9	78,2	79,9	81,5	80,4	83,1	80,4	81,6	83,3	82,1				126,0
	80000	65,9	68,0	70,3	71,6	71,8	76,9	78,8	78,9	77,1	83,1	77,7	79,2	80,7	79,1				129,0
OVERALL MEASURED		98,5	101,6	102,6	103,4	103,9	104,7	105,6	107,4	109,0	111,5	111,2	112,3	112,2	112,3				150,4
OVERALL CALCULATED		109,6	111,9	113,2	113,9	114,5	115,8	116,9	118,6	120,9	123,2	122,8	123,4	122,4	121,7				

ORIGINAL PAGE IS OF POOR QUALITY

MODEL SOUND PRESSURE LEVELS (59, DEG, F, 70 PERCENT REL HUM, DAY - JENOTS)
 PROC DATE - MONTH 19 DAY 0 HR, 0.8

SPL INPUT AT STD REV: ALPHA 12/73	FREQ	AVGLES FROM INLET IN DEGREES (AND RADIANS)																PWL	
		30'	40'	50'	60'	70'	80'	90'	100'	110'	120'	130'	140'	150'	160'	0'	0'		0'
NO EGA	50	68,3	58,6	53,9	59,4	69,5	69,3	70,6	71,5	72,4	73,6	76,8	79,5	83,6	82,9	82,9	82,9	82,9	116,4
RDG NO. 01	63	70,3	62,6	62,4	63,0	73,5	74,1	75,3	75,7	75,9	78,1	82,1	84,4	87,5	87,6	87,6	87,6	87,6	120,8
RADIAL 40 FT (12 M)	80	73,1	64,1	64,8	64,9	74,8	74,8	76,8	77,3	78,8	80,6	84,6	87,4	90,3	91,9	91,9	91,9	91,9	123,7
VEHICLE JENOTS	100	76,6	67,1	67,4	66,9	76,9	77,9	80,9	82,1	83,9	84,6	88,7	90,2	94,3	95,8	95,4	95,4	95,4	128,1
CONFIG JE-059	125	79,4	68,4	68,4	69,2	78,9	81,2	83,6	84,4	85,9	86,8	89,1	90,1	94,4	97,8	97,8	97,8	97,8	130,8
LOC EVENDALE	160	84,4	71,9	71,4	71,6	81,6	84,1	86,8	86,8	88,8	89,9	91,3	92,4	95,4	98,6	99,0	99,0	99,0	132,0
DATE 05-07-75	200	83,8	73,5	71,8	72,3	82,8	84,5	86,0	87,0	88,8	89,9	91,3	93,6	97,6	100,2	101,3	101,3	101,3	133,5
RUN DBT-MODEL 1	250	85,8	75,8	74,5	74,8	84,5	85,8	86,8	87,3	88,8	89,9	91,3	93,6	98,4	102,2	101,6	101,6	101,6	134,9
TAPE X10100	315	86,5	75,0	74,5	75,8	86,5	87,4	88,3	89,0	90,0	91,3	93,5	97,0	98,4	103,2	103,2	103,2	103,2	136,1
BAR 29.3 HG (99043 N/M2)	400	83,1	71,4	75,8	74,6	85,9	86,7	88,3	89,9	91,4	92,9	94,7	94,5	100,0	103,4	101,1	101,1	101,1	135,7
TAMS 70 DEG F (294 DEG K)	500	84,6	74,8	76,8	75,3	86,2	87,6	89,9	91,4	92,9	94,9	94,9	97,9	101,6	102,6	99,6	99,6	99,6	135,8
TWET 57 DEG F (287 DEG K)	630	85,1	76,2	77,4	75,7	87,4	87,3	89,8	91,4	92,9	94,9	94,9	97,9	101,6	101,6	98,6	98,6	98,6	135,7
HACT 0, G4/M3 (K3/M3)	800	84,9	78,7	77,6	78,4	88,3	88,8	90,4	91,4	92,9	94,9	94,9	97,9	101,6	101,6	99,4	99,4	99,4	135,7
FREQ SHIFT	1000	86,3	81,4	78,3	78,4	88,9	89,7	91,4	92,4	93,9	94,9	97,5	99,0	99,8	99,4	97,7	97,7	97,7	135,3
JET 0	1250	86,0	77,7	78,4	78,0	89,2	90,2	93,2	93,4	94,7	94,7	97,9	99,3	100,0	95,4	92,9	92,9	92,9	135,6
DIAMETER RAT-10 DF/DM 1.00	1600	85,5	79,0	73,6	79,0	90,3	91,5	92,8	94,0	95,6	96,8	98,2	98,6	98,2	95,1	92,0	92,0	92,0	135,4
	2000	87,1	78,1	78,0	80,6	91,8	92,2	93,7	95,1	96,8	98,9	98,9	98,7	98,3	96,1	92,0	92,0	92,0	135,8
	2500	86,8	78,8	80,5	80,2	90,8	92,3	94,0	95,6	96,8	99,6	98,5	98,4	98,9	95,9	92,7	92,7	92,7	136,2
	3150	87,0	79,6	80,8	81,2	92,8	93,3	94,0	95,6	96,8	100,6	99,7	98,9	98,4	96,6	94,1	94,1	94,1	137,1
	4000	86,6	79,2	80,4	81,5	92,6	94,3	95,1	96,9	98,8	101,4	101,4	99,8	99,5	97,3	95,0	95,0	95,0	138,0
	5000	88,0	80,2	80,8	82,3	93,3	95,1	96,5	98,1	98,8	100,6	103,5	101,7	101,6	99,5	97,3	97,3	97,3	139,9
	6300	88,7	81,5	82,8	83,6	94,6	96,2	97,4	98,3	98,3	101,1	104,1	102,8	102,7	101,6	99,8	99,8	99,8	141,0
	8000	89,7	83,2	83,0	84,5	95,2	96,8	97,9	98,4	98,4	100,4	103,5	104,9	102,8	101,6	99,8	99,8	99,8	141,0
	10000	91,2	84,2	83,9	85,0	95,9	97,4	97,7	97,7	97,7	100,3	102,6	104,6	103,9	103,4	103,1	103,1	103,1	142,4
	12500	90,8	86,4	85,9	85,7	96,1	96,6	97,9	97,9	97,9	100,3	102,6	104,6	103,9	103,4	103,1	103,1	103,1	142,4
	16000	89,2	87,0	86,7	86,0	96,7	96,2	96,4	96,4	96,4	99,1	101,0	103,2	102,0	101,2	100,1	100,1	100,1	141,1
	20000	87,5	85,8	85,7	86,0	96,3	95,3	95,1	95,1	95,1	97,3	98,5	101,2	102,0	101,2	98,2	97,0	97,0	139,6
	25000	84,0	81,7	82,7	83,8	94,0	94,8	93,7	94,5	94,5	97,3	98,5	101,2	102,0	98,2	94,2	94,2	94,2	137,7
	31500	79,6	77,4	78,2	79,1	89,7	91,8	91,6	92,8	92,8	94,7	95,8	97,7	97,7	93,4	90,8	90,8	90,8	135,5
	40000	76,6	74,5	75,3	76,6	86,4	87,2	87,4	88,5	88,5	88,4	89,4	89,1	90,3	90,2	85,7	85,7	85,7	132,5
	50000	72,6	71,0	72,3	73,3	83,5	84,3	84,6	85,5	85,5	86,7	86,7	86,9	88,9	88,2	84,6	84,6	84,6	131,1
	63000	69,0	68,0	69,1	70,4	80,2	80,7	81,4	82,7	82,7	84,1	84,1	85,1	86,9	87,5	85,8	85,8	85,8	130,7
	80000	65,2	65,0	65,6	66,8	78,1	78,2	79,3	79,9	79,9	78,1	80,9	85,4	86,9	87,7	85,6	85,6	85,6	132,6
OVERALL MEASURED		100,9	95,0	95,1	95,5	106,2	107,1	107,9	109,8	111,3	113,8	113,8	114,5	114,5	113,5	113,5	113,5	113,5	152,4
OVERALL CALCULATED		112,1	104,3	104,9	105,6	116,7	118,0	119,2	121,1	122,9	125,7	125,7	125,4	125,6	125,0	123,4	123,4	123,4	152,4

☆ ☆ ☆

☆ 10 dB TOO LOW

MODEL SOUND PRESSURE LEVELS (59, DEG F, 70 PERCENT REL HUM, DAY - JENOTS)
 PROC DATE - MONTH 64 DAY 0 HR 0 S

SPL INPUT AT STD REV. ALPHA 12/73	ANGLES FROM INLET (IN DEGREES (AND RADIAN))																PHL	
	30,	40,	50,	60,	70,	80,	90,	100,	110,	120,	130,	140,	150,	160,	0,	0,		0,
FREQ: (0.52)	(0.70)	(0.87)	(1.05)	(1.22)	(1.40)	(1.57)	(1.75)	(1.92)	(2.09)	(2.27)	(2.44)	(2.62)	(2.79)	(0,	(0,	(0,		
50	63,3	63,3	64,1	64,9	65,0	64,8	65,9	67,0	67,9	69,3	70,3	73,0	76,6	76,4				110,6
RDG: NO EGA	63	65,1	65,6	65,9	66,7	67,3	67,9	68,8	69,4	70,4	72,3	73,8	77,4	80,2	81,1			114,1
RADIAL NO. 01	80	66,9	67,9	68,5	68,6	68,8	68,9	70,8	71,3	72,8	74,6	77,0	80,6	83,3	85,1			117,2
VEHICLE JENOTS	100	70,4	70,6	71,1	70,1	70,4	72,1	74,7	75,8	77,2	78,4	80,4	85,0	88,8	88,7			121,4
CONFIG JENOTS	125	73,4	72,4	72,2	72,9	72,4	75,4	77,4	77,9	79,7	81,9	83,2	87,6	90,8	92,0			124,1
LOC EVENDALE	160	79,4	76,1	74,9	75,6	75,6	77,4	80,3	79,9	82,9	84,1	85,6	88,6	91,8	93,1			125,7
DATE 05-07-73	200	78,3	77,8	76,0	76,3	77,0	78,3	79,3	80,5	82,5	86,0	88,3	92,1	94,7	96,5			128,3
RUN DBTF-MODEL 1	250	80,8	81,0	78,8	79,5	78,8	79,5	80,8	83,0	89,5	89,5	92,5	94,5	98,2	99,1			131,5
TAPE X10110	315	81,5	80,0	78,8	79,8	81,3	82,7	81,8	86,3	88,0	90,8	93,5	95,4	99,7	102,8			133,3
BAR 29,3-HQ	400	78,6	77,7	80,3	78,9	80,1	80,7	84,0	86,1	89,1	92,1	92,0	97,5	99,9	100,1			133,0
(99043; N/M2)	500	79,8	80,1	80,6	79,3	79,4	81,1	83,7	84,9	86,7	88,7	90,4	97,6	99,6	93,8			132,2
TAMB 69; DEG F	630	80,3	80,9	80,7	79,2	80,4	80,8	83,6	85,4	87,9	88,9	93,2	97,1	98,6	99,8			132,4
(294; DEG K)	800	79,9	82,4	81,1	81,0	81,8	81,8	83,4	86,4	87,5	91,3	93,7	95,5	95,9	97,7			131,3
THET 55; DEG F	1000	81,1	82,9	81,0	80,4	81,3	82,7	84,7	85,8	87,9	91,1	93,0	94,2	93,8	92,9			130,0
(286; DEG K)	1250	79,5	79,7	80,6	80,5	81,2	82,7	85,7	86,2	87,7	90,9	93,1	95,0	92,4	88,7			129,7
HACT 0; QH/M3	1600	78,3	81,2	80,4	81,2	81,8	83,0	84,5	86,0	87,6	89,8	92,8	92,5	89,6	85,5			128,6
(; QH/M3)	2000	79,3	79,3	79,8	82,2	83,0	82,9	83,9	85,3	87,0	88,6	90,9	91,3	87,1	84,0			127,5
FREQ. SHIFT	2500	77,8	79,6	81,3	80,7	80,9	81,7	83,4	84,9	86,0	88,3	89,7	89,7	85,1	82,2			126,5
JET 0	3150	77,6	79,9	80,8	81,5	81,8	82,6	83,8	85,4	86,1	88,1	89,7	89,1	85,3	82,9			126,6
DIAMETER RATIO	4000	76,2	78,9	80,2	82,1	82,1	83,1	84,4	85,4	87,0	88,6	89,0	89,0	85,5	83,8			126,9
DF/DM 1,00	5000	77,0	79,8	81,1	81,8	82,3	84,1	85,0	86,8	88,3	90,5	90,7	90,4	87,5	85,8			128,3
	6300	77,5	81,1	81,8	83,1	83,9	85,2	85,4	87,4	88,5	90,4	91,6	91,2	89,1	88,6			129,2
	8000	76,7	81,3	82,6	83,8	84,5	86,1	86,3	87,7	88,5	90,7	90,9	91,0	89,2	89,9			129,6
	10000	76,0	81,5	83,0	84,3	85,3	85,9	85,3	87,8	88,4	90,4	90,4	90,5	88,5	88,8			129,6
	12500	74,4	80,7	82,5	83,7	85,1	85,4	85,9	86,8	87,5	89,6	89,2	89,2	87,1	86,8			129,1
	16000	72,0	78,6	80,3	85,1	83,6	84,1	84,7	85,9	86,5	87,9	87,5	87,3	85,3	84,9			128,2
	20000	69,1	74,4	77,8	79,1	80,4	81,3	81,9	83,7	85,3	85,6	85,0	85,0	82,8	81,9			126,1
	25000	66,1	74,0	76,0	77,1	77,9	79,4	80,3	81,5	82,3	83,6	81,6	81,7	80,6	78,8			124,1
	31500	61,9	70,5	72,0	73,7	74,0	76,8	77,2	79,1	78,7	80,2	78,9	78,7	77,5	75,2			121,6
	40000	59,3	67,3	69,1	70,4	70,7	72,0	72,9	75,1	75,2	75,7	73,4	74,6	74,0	72,3			118,2
	50000	56,6	64,3	65,3	67,9	67,5	68,6	70,3	71,5	71,5	72,7	70,4	74,2	74,5	72,4			116,8
	63000	56,0	60,5	61,6	65,8	65,9	65,6	68,4	68,9	68,1	69,5	67,1	75,6	76,0	74,1			117,7
	80000	56,2	57,0	57,3	64,1	66,1	65,9	68,5	68,2	65,3	68,3	66,1	77,4	77,4	75,1			121,3
OVERALL MEASURED		92,4	93,8	94,2	95,1	95,6	96,6	97,7	99,3	101,0	103,1	104,7	106,8	108,0	108,9			143,5
OVERALL CALCULATED		103,4	105,3	105,9	106,7	107,1	108,1	109,4	110,9	112,0	114,7	115,9	116,8	116,4	116,7			

49

ORIGINAL PAGE IS
OF POOR QUALITY

SPL. INPUT AT STD REV: ALPHA 12/73	FREQ	ANGLES FROM INLET IN DEGREES (AND RADIANS)																PHL	
		30'	40'	50'	60'	70'	80'	90'	100'	110'	120'	130'	140'	150'	150'	0'	0'		0'
NO EGA	50	67.1	57.6	67.4	66.9	66.5	67.1	68.9	68.8	70.1	72.3	74.0	75.8	79.3	78.4				113.2
RDG. NO. 01	63	68.1	68.1	67.9	68.2	69.3	70.1	70.5	70.9	72.6	72.8	74.3	77.1	79.7	82.7				116.2
RADIAL 40 FT	80	69.1	69.9	70.5	70.6	70.5	70.9	72.6	72.8	74.3	77.1	79.7	82.7	85.5	87.1				119.4
(12 M)	100	72.9	73.4	73.4	72.6	72.6	74.1	76.9	77.8	79.2	80.9	83.6	87.0	89.8	91.0				123.7
VEHICLE JENOTS	125	75.4	74.7	74.2	74.9	74.4	77.2	79.6	79.9	81.4	84.2	85.7	89.8	92.8	94.0				126.2
CONFIG JE-059	160	81.4	78.1	77.4	78.1	78.1	79.9	82.1	82.4	84.9	86.4	87.9	91.1	94.3	95.3				128.0
LOC EVENDALE	200	80.0	80.0	77.5	78.3	78.5	79.8	81.5	83.0	84.5	85.8	89.8	93.4	96.7	98.3				130.0
DATE 05-07-75	250	82.3	92.0	80.5	81.0	81.0	81.5	82.3	84.5	90.5	90.3	93.3	95.8	99.9	100.4				132.8
RUN DBTF-MODEL 1	315	82.5	81.3	80.5	81.0	83.3	83.9	82.8	87.5	88.8	91.5	94.3	96.6	100.9	103.8				134.4
TAPE X10120	400	79.4	78.4	82.0	80.6	81.9	82.4	84.5	87.6	90.0	92.8	93.0	98.8	101.2	100.3				134.0
BAR 29.3 HG	500	81.1	81.6	81.6	80.8	81.7	82.6	82.8	86.9	88.7	92.0	92.4	99.4	101.1	99.8				133.8
(99009 N/M2)	630	81.3	81.7	81.9	80.4	82.2	82.5	85.3	87.4	89.2	90.2	93.9	98.3	100.1	99.5				133.3
TAMR 69 DEG F	800	80.7	83.4	82.1	82.5	83.8	83.3	85.4	88.7	89.5	92.3	94.7	97.0	96.7	98.2				132.4
(294 DEG K)	1000	81.8	85.1	82.3	82.2	83.0	84.4	86.2	88.9	89.9	92.3	94.0	95.7	94.4	92.4				131.2
TWET 55 DEG F	1250	80.5	81.2	82.4	82.0	83.2	84.4	87.2	87.4	88.7	91.4	94.6	95.5	92.7	89.7				130.7
(286 DEG K)	1600	79.0	83.0	82.4	83.0	83.8	85.2	86.8	87.7	88.6	90.8	93.3	93.7	90.1	86.5				129.7
HACT 0 G4/M3	2000	80.8	81.1	82.0	84.2	85.5	85.9	86.3	87.3	88.5	90.1	92.2	92.8	88.8	85.0				129.2
(K3/M3)	2500	79.8	81.8	83.8	83.5	84.4	85.2	86.2	87.9	88.8	90.6	91.5	91.7	87.4	84.5				128.9
FREQ. SHIFT	3150	79.3	82.2	83.8	84.5	85.3	86.1	87.3	88.4	89.1	91.4	92.2	91.4	88.8	86.4				129.6
JET 0	4000	78.9	82.2	84.0	84.8	85.9	86.8	88.1	89.7	90.0	93.1	92.5	92.0	89.5	87.0				130.5
DIAMETER RATIO	5000	80.0	83.3	84.9	85.8	86.8	88.1	89.5	91.5	92.6	95.5	95.0	94.6	91.8	89.6				132.7
DF/DH 1:00	6300	81.5	84.6	86.0	87.1	88.1	90.0	90.2	92.4	94.0	96.2	96.4	96.2	94.9	93.6				134.3
	8000	81.7	85.5	87.1	88.3	89.5	90.6	90.3	92.7	94.5	97.2	97.4	97.7	95.7	95.9				135.5
	10000	82.3	85.7	87.3	88.6	90.0	90.7	90.8	93.3	94.4	97.2	96.9	97.5	96.0	96.3				135.8
	12500	80.9	84.9	86.3	87.5	89.6	90.1	90.4	92.3	93.7	95.6	95.0	96.4	94.9	94.3				135.0
	16000	78.8	83.6	84.8	86.4	88.8	89.3	90.2	91.4	92.5	94.1	93.5	95.1	93.6	93.7				134.2
	20000	75.6	81.1	82.6	84.6	85.9	86.8	87.7	89.2	90.8	92.1	91.3	92.5	91.1	91.4				132.4
	25000	73.3	79.5	80.5	82.6	83.9	84.4	85.5	87.3	88.0	89.6	87.8	89.0	89.1	88.8				130.3
	31500	69.2	76.0	77.3	78.7	79.8	81.6	83.2	84.6	85.5	86.4	85.4	86.0	85.8	84.4				127.9
	40000	66.9	73.6	74.6	76.1	76.7	77.2	78.7	80.8	82.2	82.7	80.7	81.6	82.0	81.3				124.9
	50000	64.4	70.3	71.3	72.9	73.3	73.8	75.3	77.5	77.8	80.4	77.9	78.4	79.5	77.9				122.8
	63000	64.0	67.2	68.1	69.8	70.4	70.4	72.6	74.4	74.6	79.8	75.9	76.6	78.5	76.3				122.7
	80000	64.4	64.5	64.3	65.6	67.8	67.9	69.7	70.7	69.5	81.1	75.1	76.4	78.6	76.1				125.1
OVERALL MEASURED		94.3	96.5	97.2	98.1	99.4	100.3	101.2	103.1	104.5	106.7	107.5	109.4	110.1	110.4				146.5
OVERALL CALCULATED		105.5	107.8	108.7	109.5	110.5	111.8	112.8	114.6	116.0	119.4	119.1	120.0	119.3	118.5				

50

SPL INPUT AT STD REV. ALPHA 12/73	FREQ.	MODEL SOUND PRESSURE LEVELS (99, DEG. F., 70 PERCENT REL. HUM. DAY - JENOTS)																PWL	
		ANGLES FROM INLET IN DEGREES (AND RADIANs)																	
		30	40	50	60	70	80	90	100	110	120	130	140	150	160	0	0	0	
NO EGA	50	66.8	67.6	67.6	67.7	68.0	67.6	68.9	69.5	70.4	71.8	74.5	77.0	80.8	79.9				114.2
R00, NO. 0	63	69.1	69.6	69.9	70.0	70.5	72.9	73.3	73.7	74.4	76.1	77.8	81.1	84.7	84.6				118.1
RADIAL 40, FT. (12. M)	80	71.1	71.9	72.3	72.4	72.0	72.7	74.6	74.8	76.3	78.1	81.5	84.9	87.5	83.9				121.2
VEHICLE JENOTS	100	74.9	75.4	75.6	74.4	74.1	75.6	78.9	79.8	80.7	82.6	84.9	89.3	93.3	92.9				125.7
CONFIG JE-059	125	77.9	76.9	76.7	77.2	76.2	79.4	81.4	82.2	83.7	85.7	87.9	92.3	95.0	96.0				128.3
LOC EVENDALE	150	83.1	79.9	79.4	79.9	79.4	81.6	84.1	84.4	86.9	88.6	89.9	93.1	96.3	97.1				129.9
DATE 05-07-75	200	82.3	84.3	80.0	80.0	80.5	82.5	84.0	85.3	87.0	89.8	92.3	95.9	98.7	99.5				132.0
RUN DBTF-MODEL 1	250	84.3	83.5	83.0	83.0	83.0	83.5	84.5	85.8	91.8	92.0	95.3	98.3	102.2	101.9				134.8
TAPE X10130	315	84.8	83.0	82.3	83.8	84.8	85.7	86.3	89.5	90.0	93.0	96.0	98.6	103.4	105.5				136.4
BAR 29.3 HG	400	81.6	80.2	83.5	82.4	84.1	84.7	85.3	88.8	91.0	94.3	93.8	99.8	103.2	102.1				135.6
(99043; N/M2)	500	82.6	83.3	84.1	83.0	83.9	85.4	87.4	88.9	90.9	92.2	94.4	101.1	103.6	100.3				138.7
TAMP 70, DEG F	630	82.6	83.9	84.7	83.4	84.7	85.0	87.6	89.1	91.4	92.7	95.9	99.8	101.6	99.8				134.9
(294; DEG K)	800	82.2	85.9	84.4	85.3	85.8	86.0	87.9	90.4	91.5	95.0	97.2	99.3	98.4	98.9				134.5
THET 57, DEG F	1000	83.8	88.6	85.0	84.9	85.5	86.7	88.4	89.8	91.6	94.8	96.2	97.2	95.9	93.4				133.1
(287; DEG K)	1250	82.7	84.2	84.9	84.8	86.2	86.9	89.7	90.2	91.2	94.1	96.6	97.7	93.7	89.9				132.9
HACT 0, G4/M3	1600	82.5	85.7	85.1	85.7	86.6	87.7	89.3	90.0	91.3	93.7	95.6	98.7	92.1	89.2				132.1
(. ; KG/M3)	2000	83.6	84.6	85.0	87.6	88.5	88.6	88.8	90.1	91.7	93.6	94.7	95.0	91.3	88.0				132.0
FREQ. SHIFT	2500	82.5	85.0	86.7	86.2	87.3	88.2	89.4	91.1	92.3	94.3	94.5	94.7	90.4	83.3				132.1
JET 0	3150	83.0	85.4	87.3	88.2	88.8	89.1	90.3	91.1	92.5	95.6	95.4	94.9	92.1	89.4				133.0
DIAHETER RATIO	4000	82.1	85.7	86.7	88.5	89.4	90.5	91.3	93.2	94.3	97.4	96.3	95.5	92.8	90.2				134.3
OP/DM 1.00	5000	83.5	86.5	88.1	89.8	90.0	91.1	92.8	94.5	96.6	99.7	98.4	97.6	95.0	93.3				136.3
	6300	84.7	87.5	89.0	91.1	91.6	93.2	94.4	95.6	97.5	100.6	99.8	99.7	97.8	96.8				137.8
	8000	85.4	88.5	90.0	92.0	92.7	93.5	94.4	96.4	98.5	101.6	100.9	101.2	99.1	99.4				139.2
	10000	86.7	88.4	90.2	92.2	93.7	93.4	94.5	96.6	98.9	101.4	101.1	101.7	100.2	101.0				139.9
	12500	86.1	89.1	90.9	92.7	93.8	94.3	94.4	96.4	98.1	100.5	100.1	100.6	100.0	100.7				139.7
	16000	84.7	88.7	90.0	91.3	92.7	93.0	93.4	95.3	96.4	98.0	97.9	99.0	98.5	99.3				138.4
	20000	82.0	87.8	88.5	89.8	90.3	90.8	91.6	92.6	94.8	95.8	95.2	96.4	96.0	96.3				136.8
	25000	79.5	86.7	88.4	89.8	89.8	89.8	89.9	90.5	92.0	93.0	92.0	93.6	93.2	93.2				134.8
	31500	75.8	82.9	84.7	86.6	86.7	88.3	87.3	88.5	88.4	90.4	89.3	90.1	90.4	89.8				132.6
	40000	72.6	79.0	81.5	83.1	83.4	84.2	83.9	85.0	85.4	86.4	85.1	86.3	87.0	86.7				129.7
	50000	68.8	75.0	77.3	78.8	79.2	80.5	81.3	82.2	82.0	84.4	81.9	83.6	84.2	83.3				127.7
	63000	66.5	71.2	73.6	75.4	75.2	77.7	78.9	80.0	79.4	82.3	78.9	80.6	81.8	80.3				126.9
	80000	65.9	66.5	68.3	70.3	71.1	76.9	78.3	78.2	76.4	82.4	76.9	79.4	80.7	78.4				128.5
OVERALL MEASURED																			149.8
OVERALL CALCULATED		97.4	99.9	100.8	102.1	103.0	103.6	104.5	105.2	108.0	110.5	110.6	112.1	112.7	112.6				
PNDB		108.6	110.7	111.7	112.9	113.8	114.7	115.7	117.2	119.9	122.1	122.1	122.9	122.0	120.9				

51

ORIGINAL PAGE IS
OF POOR QUALITY

SPL INPUT AT STD REV. ALPHA 12/73	MODEL SOUND PRESSURE LEVELS (59, DEG. F., 70 PERCENT REL. HUM., DAY - JENOTS)																PNL		
	30,	40,	50,	60,	70,	80,	90,	100,	110,	120,	130,	140,	150,	160,	0,	0,		0,	
NO EGA	50	72,6	59,8	60,1	60,2	70,2	70,3	71,4	72,7	72,4	73,8	76,8	79,5	83,6	82,7				116,5
RDG. NO. 31	63	75,8	63,1	62,9	63,0	73,5	74,4	75,0	75,7	75,9	78,1	82,3	84,6	87,7	89,1				121,1
RADIAL 40, FT. (12, M)	80	76,4	65,1	65,0	65,1	74,8	74,7	77,1	77,3	78,3	80,6	84,6	87,4	90,5	92,1				123,9
VEHICLE JENOTS	100	77,9	67,4	67,9	66,4	76,4	78,1	80,9	82,1	83,9	84,7	85,4	88,4	90,4	94,3	97,5	98,8		128,3
CONFIG JE-059	125	82,7	69,2	68,9	69,2	78,7	81,4	83,9	84,7	85,4	88,4	90,4	94,3	97,5	98,8				130,7
L3C EVENDALE	160	88,1	72,6	71,6	71,9	82,1	84,1	87,1	86,6	89,4	90,6	92,6	95,9	98,6	100,1				132,5
DATE 05-07-75	200	85,5	73,5	71,5	72,5	82,5	84,5	85,8	87,0	88,0	89,0	92,0	94,8	98,6	101,2	105,3			135,4
RUN DBTF-MODEL 1	250	86,8	76,0	75,0	75,0	85,0	85,3	86,0	88,0	88,0	89,0	94,0	97,3	100,5	103,7	103,1			136,4
TAPE X10140	315	87,8	75,5	75,0	75,5	87,0	87,7	86,8	91,0	91,0	94,8	98,3	100,6	105,4	107,0				138,2
BAR 29,3 H3 (99,043, N/M2)	400	84,4	72,4	76,3	74,9	86,1	87,2	88,8	91,1	93,3	96,1	96,0	101,8	105,9	104,1				137,8
TAMB 69, DEG F (294, DEG K)	500	85,3	75,8	77,1	75,5	86,7	87,6	89,7	91,4	93,2	95,4	97,4	103,1	105,1	102,1				137,6
TWET 55, DEG F (286, DEG K)	630	85,1	76,4	76,9	75,7	86,9	87,3	90,3	91,6	94,2	95,2	98,9	102,3	103,6	101,8				137,2
HACT 0, G4/M3 (, KG/M3)	800	85,2	78,7	77,4	77,5	88,3	88,3	89,3	90,6	92,9	94,3	97,8	101,2	101,7	100,2				136,5
FREQ. SHIFT	1000	86,6	81,1	78,3	77,4	88,3	89,7	91,7	92,6	95,1	97,6	99,2	103,1	98,9	98,1	95,7			135,5
JET 0	1250	85,7	76,9	77,9	77,8	88,3	89,7	92,9	93,2	94,4	97,9	99,3	99,7	95,9	92,7				135,5
DIAMETER RATIO	1600	85,3	78,5	78,4	78,7	89,8	91,0	92,0	93,5	94,6	98,2	98,1	98,0	93,1	91,0				134,8
DF/DM. 1,00	2000	86,8	77,3	77,5	80,1	91,2	91,6	92,3	93,8	94,8	98,3	98,2	98,0	94,8	91,3				135,1
	2500	85,8	78,3	79,2	79,2	90,3	91,2	92,9	94,1	95,8	98,3	97,7	97,4	94,4	91,7				135,2
	3150	86,0	78,9	80,0	80,7	91,6	92,6	93,8	95,1	96,3	99,6	98,4	98,1	96,1	93,1				136,2
	4000	85,9	78,7	79,9	81,0	92,4	93,3	94,6	96,4	97,8	100,9	99,3	98,8	96,5	94,0				137,4
	5000	86,5	79,5	80,3	81,8	93,0	94,3	96,0	97,5	99,8	102,5	100,4	100,8	98,7	96,6				139,0
	6300	88,2	80,3	81,5	83,6	94,6	95,9	96,9	99,1	100,8	103,6	102,3	102,7	100,8	99,3				140,6
	8000	89,2	81,7	82,5	84,0	95,7	96,5	97,2	99,9	102,0	104,4	103,9	104,7	102,9	102,6				142,2
	10000	90,5	82,9	83,4	85,5	96,7	97,1	97,5	100,3	102,6	104,9	104,4	105,0	104,2	104,3				143,1
	12500	90,1	84,4	84,2	85,2	96,1	96,6	97,6	99,4	101,1	103,0	102,6	104,1	102,5	102,7				142,2
	16000	89,2	84,7	84,7	84,8	96,2	95,7	96,6	98,3	99,4	100,8	101,1	102,2	101,0	100,8				141,1
	20000	87,2	84,0	84,5	85,0	95,6	94,5	94,6	95,6	97,8	98,3	97,7	99,4	98,2	97,5				139,2
	25000	83,5	80,4	81,7	83,5	94,0	94,1	93,2	94,0	94,7	95,8	94,2	96,1	95,5	94,7				137,3
	31500	78,6	76,1	76,4	78,9	89,4	91,3	90,6	91,3	90,7	92,4	91,8	93,6	93,2	90,8				134,7
	40000	75,1	73,0	73,0	75,3	85,6	85,4	86,4	87,3	87,9	88,9	88,1	89,3	89,2	88,0				131,6
	50000	71,1	69,0	70,0	72,1	81,5	82,3	83,1	84,2	84,0	86,2	85,7	87,6	86,2	85,8				130,0
	63000	67,8	65,7	66,6	68,9	79,2	79,2	80,1	81,5	81,2	84,1	84,6	86,1	86,0	85,1				130,1
	80000	66,4	63,8	64,3	65,6	77,3	77,2	78,8	79,2	77,9	83,6	85,4	87,4	87,4	85,1				132,7
OVERALL MEASURED		100,9	93,8	94,1	95,2	106,1	106,6	107,6	109,4	111,1	113,5	113,4	114,8	115,2	114,9				152,4
OVERALL CALCULATED		111,8	103,7	104,4	105,4	116,5	117,6	118,8	120,7	122,4	125,1	124,8	125,7	124,9	123,7				

52

114

SPL INPUT AT STD REV, ALPHA 12/73	ANGLES FROM INLET IN DEGREES (AND RADIANS)																PHL
	30	40	50	60	70	80	90	100	110	120	130	140	150	160	170	180	
NO EGA	50	75.8	63.6	63.1	64.9	74.0	76.3	79.9	77.8	76.6	78.6	80.0	81.3	85.8	86.4	120.2	
RDG; NO. 01	63	77.8	65.8	65.1	66.7	75.5	78.4	80.3	79.7	79.6	80.6	82.8	85.6	89.5	90.1	123.1	
RADIAL 40 FT. (12 M)	80	79.6	67.9	67.0	68.1	77.8	79.9	81.3	82.3	81.8	83.9	86.7	93.1	92.5	94.1	126.5	
VEHICLE JENOTS	100	81.1	69.9	70.1	69.9	79.4	81.4	84.2	85.6	86.6	87.1	89.9	94.3	98.3	97.9	130.7	
COYFIG JE-059	125	86.4	71.7	71.4	72.2	80.9	84.4	87.1	87.2	88.2	90.2	92.7	96.6	99.8	101.0	133.0	
LOG EVENDALE	160	93.1	74.6	74.4	74.4	84.4	86.9	89.1	89.1	91.9	93.1	94.6	97.9	100.3	101.6	134.5	
DATE 05-07-75	200	87.8	76.0	74.5	74.8	84.8	86.8	88.3	89.3	91.0	94.0	96.6	100.6	103.0	106.0	136.9	
RUN DBTF-MODEL 1	250	90.3	78.0	76.5	78.0	87.0	87.8	88.3	89.5	91.8	95.8	96.6	102.5	105.7	104.4	138.3	
TAPE X10150	315	91.3	77.5	76.5	78.3	89.0	89.7	88.8	89.0	94.0	96.5	99.8	103.1	107.4	108.8	140.1	
BAR 29.3 H3	400	86.6	74.4	78.3	76.9	88.4	88.9	90.8	93.1	95.5	98.3	99.0	104.5	108.4	105.6	140.2	
(99043; N/M2)	500	88.3	77.3	79.3	77.8	88.9	90.1	91.7	93.9	95.7	97.2	99.2	104.6	105.8	103.6	139.0	
TAMB 69; DEG F (294; DEG K)	630	88.1	78.9	79.2	77.7	89.4	89.5	92.6	93.9	96.4	97.9	101.4	104.1	105.4	103.1	139.1	
THET 55; DEG F (296; DEG K)	800	87.5	81.4	79.6	80.0	90.5	91.3	93.4	96.1	97.3	100.3	101.7	103.3	101.9	101.7	138.7	
HACT 0; G4/M3 (1; KG/M3)	1000	89.1	84.1	80.3	79.4	90.3	91.9	94.2	95.6	97.9	100.6	101.7	101.4	100.4	97.4	138.1	
FREQ; SHIFT	1250	88.2	79.9	80.6	80.3	91.0	92.4	95.2	95.7	97.4	100.9	102.3	102.2	98.2	94.9	138.2	
JET	1600	88.0	81.5	80.6	80.5	92.1	93.2	95.3	96.7	97.8	101.0	101.6	100.5	97.6	93.5	137.9	
DIAMETER RATIO	2000	89.6	79.8	80.0	82.6	93.5	94.4	95.3	96.6	98.7	100.9	101.4	101.0	98.1	94.0	138.2	
DP/DH 1.00	2500	88.5	80.5	81.7	81.4	92.8	93.9	95.4	96.6	99.3	101.8	101.2	100.7	97.6	94.5	138.4	
	3150	89.0	80.9	82.0	83.4	94.1	95.1	96.8	97.6	99.5	102.1	101.7	101.4	98.6	95.4	139.1	
	4000	88.1	80.9	82.2	83.5	95.1	96.0	97.1	98.7	101.0	103.1	102.3	101.8	99.3	97.0	140.1	
	5000	89.7	82.0	82.6	83.8	95.3	97.1	98.5	100.1	102.5	104.5	103.7	103.3	101.7	99.6	141.6	
	6300	90.5	83.0	83.5	85.3	96.3	97.7	99.1	101.1	103.8	105.6	105.1	104.9	104.1	101.9	143.0	
	8000	91.4	84.2	84.8	86.0	97.2	98.5	100.2	101.9	104.2	106.4	105.9	105.9	105.1	103.9	144.1	
	10000	92.2	86.2	85.9	87.0	97.2	98.4	99.7	102.5	104.6	106.4	106.9	106.2	105.9	104.0	144.8	
	12500	92.8	88.6	88.4	88.4	97.8	98.8	99.9	101.8	103.4	105.0	105.4	105.8	104.5	102.7	144.2	
	16000	91.9	89.0	89.5	89.0	99.2	98.1	98.9	99.8	101.6	102.3	102.9	103.7	102.2	100.3	142.9	
	20000	89.0	85.8	87.0	88.3	98.6	97.3	96.9	97.9	99.3	100.0	100.4	100.7	99.5	97.5	141.1	
	25000	85.2	81.9	82.9	84.8	95.8	95.8	95.2	96.1	97.0	97.8	97.2	97.6	96.7	94.2	139.2	
	31500	80.8	78.1	78.9	80.6	90.4	92.8	92.6	93.5	92.9	95.4	94.0	95.4	93.7	90.8	136.7	
	40000	77.3	74.5	76.5	77.6	87.9	87.7	87.9	89.0	89.9	91.2	90.4	91.5	90.7	87.5	133.5	
	50000	73.6	71.5	73.0	74.3	84.0	84.8	85.1	86.3	86.5	87.9	87.7	89.4	89.2	85.6	131.8	
	63000	69.8	58.2	69.6	70.9	81.2	80.7	81.9	83.0	83.4	85.8	86.1	87.4	88.0	84.8	131.4	
	80000	67.2	65.0	65.8	66.8	79.1	78.7	79.5	80.7	81.9	84.9	85.7	88.2	88.2	85.1	133.6	
OVERALL MEASURED																	
OVERALL CALCULATED																	
PNDB	103.7	96.7	96.9	97.6	108.4	108.8	110.0	111.7	113.7	115.6	116.0	116.8	117.2	116.1	114.5		
	114.6	106.1	106.6	107.6	118.7	119.9	121.4	123.1	125.3	127.4	127.5	128.0	127.5	125.7			

☆ ☆ ☆

☆ 10 dB TOO LOW

ORIGINAL PAGE IS OF POOR QUALITY

SPL INPUT AT STD REV: ALPHA 12/73	MODEL SOUND PRESSURE LEVELS (59, DEG, F, 70 PERCENT REL, HUM, DAY - JENOTS)																PHL		
	FREQ	30'	40'	50'	60'	70'	80'	90'	100'	110'	120'	130'	140'	150'	160'	0'		0'	0'
NO EGA	50	64,1	65,6	63,9	65,4	65,5	65,3	66,6	66,8	66,4	69,8	72,8	73,5	78,8	78,2				112,2
RDG, NO. 0	63	66,6	67,6	67,9	68,2	68,5	69,6	69,8	70,4	70,9	73,8	76,1	78,9	82,0	82,1				115,6
RADIAL 40, FT (12, M)	103	73,1	73,4	73,1	72,1	72,1	73,2	76,4	77,6	74,1	76,1	79,5	82,6	85,0	86,6				118,9
VEHICLE JENOTS	125	74,9	73,7	73,7	74,4	73,9	76,4	78,9	79,4	80,7	83,2	85,2	89,3	92,3	93,3				123,6
CONFIG JE-059	160	81,1	77,4	76,4	77,4	77,6	79,1	81,3	81,4	84,4	86,1	87,4	90,9	93,6	94,3				127,3
LOC EVENDALE	200	79,8	79,8	77,9	78,3	78,0	79,8	81,3	82,3	84,0	87,8	90,6	94,1	96,7	97,8				130,0
DATE 05-07-75	250	82,0	81,8	80,3	80,5	80,8	81,5	82,3	83,8	83,3	90,3	91,0	94,0	96,3	99,7	100,1			132,8
RUN DBTF-MODEL 1	315	83,5	82,0	80,5	82,0	83,5	84,9	84,9	88,8	90,3	93,0	96,3	98,3	102,4	104,5				135,7
TAPE X10160	400	80,6	79,2	82,3	81,1	82,4	82,7	85,3	87,6	91,3	94,1	95,0	100,5	102,7	101,8				135,5
BAR 29,3 HG	500	82,8	82,8	83,1	81,0	81,7	83,4	85,7	87,4	88,7	90,9	93,7	100,6	102,8	100,8				135,0
(99043, N/M2)	630	83,3	82,9	82,9	81,4	82,9	83,5	85,8	87,6	91,2	91,9	96,4	101,1	102,4	102,1				135,7
TAMB 69, DEG F	800	82,2	84,7	82,9	83,3	84,0	83,6	86,1	88,6	90,3	93,5	96,4	99,0	98,9	100,7				134,2
(294, DEG K)	1000	83,1	84,4	83,3	82,7	83,3	84,9	86,9	88,6	90,6	93,6	96,2	99,2	96,8	95,7				132,8
TWET 55, DEG F	1250	81,5	81,9	82,4	82,5	83,5	84,7	87,9	88,4	90,4	93,1	96,6	97,7	94,7	91,2				132,4
(206, DEG K)	1600	79,8	83,2	82,1	83,0	83,8	85,2	86,8	88,2	89,8	92,5	95,1	95,0	92,1	88,2				131,0
HACT 0, GM/M3	2000	80,8	80,6	81,5	83,9	84,5	84,6	86,3	87,8	89,7	91,4	93,7	93,8	89,6	87,0				130,0
(, KG/M3)	2500	79,6	81,3	82,5	82,2	82,6	83,9	85,7	87,1	88,8	90,6	91,7	92,2	87,4	84,7				128,7
FREQ, SHIFT	3150	78,8	80,9	82,5	83,0	83,6	84,8	85,5	87,4	88,8	90,9	91,4	90,9	87,3	84,6				128,6
JET 0	4000	78,2	80,7	82,0	83,1	83,9	85,1	86,4	88,2	89,0	90,9	91,5	90,3	87,0	85,0				128,9
DIAMETER RATIO	5000	78,5	81,8	82,4	83,6	83,8	85,8	87,3	89,3	90,1	93,2	92,7	92,4	89,3	87,1				130,4
DF/DM, 1,00	6300	79,0	82,6	83,5	84,6	85,6	87,2	87,9	89,9	90,8	93,2	93,9	93,2	91,9	90,9				131,5
	8000	79,0	83,5	84,6	85,3	86,8	87,8	88,3	89,9	91,5	93,2	93,7	93,7	91,9	91,7				132,0
	10000	78,5	83,2	84,8	85,8	87,5	87,7	87,8	90,1	91,2	92,7	92,9	92,8	91,2	91,3				131,9
	12500	76,6	82,4	84,3	85,5	87,1	87,4	87,9	89,0	90,0	91,8	91,7	91,9	90,4	89,8				131,4
	16000	74,8	80,6	82,8	83,6	85,3	86,3	86,7	88,5	88,5	90,6	89,5	90,1	88,3	87,7				130,3
	20000	71,3	78,1	80,3	81,6	82,9	83,3	84,4	86,2	87,6	88,6	87,3	87,8	86,1	85,6				128,7
	25000	68,3	76,5	78,0	79,1	79,9	81,1	82,0	84,3	85,3	85,8	84,3	84,5	83,3	81,8				126,6
	31500	64,9	72,7	74,3	75,5	76,0	78,3	78,9	80,8	82,0	82,9	81,4	81,0	80,0	78,2				123,9
	40000	61,9	69,8	70,8	73,1	73,2	73,7	74,9	77,1	77,7	79,5	77,2	76,8	76,3	75,0				120,9
	50000	58,4	66,6	67,8	69,1	69,3	70,3	71,8	73,5	73,8	77,7	74,7	76,2	75,3	72,9				119,3
	63000	57,3	65,2	65,4	66,8	67,6	67,1	68,9	70,7	70,1	78,5	74,4	76,6	76,3	74,1				120,7
	80000	56,7	64,0	63,8	64,3	67,3	66,7	69,0	68,7	66,6	80,8	75,4	78,1	77,9	75,3				124,9
OVERALL MEASURED																			
OVERALL CALCULATED		94,1	95,6	96,0	96,6	97,6	98,6	99,8	101,6	103,3	105,5	107,3	109,6	110,8	110,8				145,9
PND8		108,1	106,8	107,6	108,1	108,9	110,1	111,4	113,9	114,7	117,2	118,3	119,2	119,0	118,6				

54

116

SPL INPUT AT STD REV: ALPHA 12/73	FREQ.	ANGLES FROM INLET IN DEGREES (AND RADIANS)																PHL	
		30	40	50	60	70	80	90	100	110	120	130	140	150	160	0	0		0
NO EGA	50	66,1	67,3	67,6	67,7	67,7	68,3	68,9	73,3	70,9	72,3	74,8	77,0	80,6	83,2				114,2
RDG, NO.	63	68,8	69,3	69,6	70,0	70,5	71,6	72,3	73,7	73,9	75,6	78,1	80,6	84,2	84,6				117,8
RADIAL 40, FT.	80	70,9	71,6	72,0	72,6	72,0	72,7	74,1	74,8	75,6	77,9	81,2	84,9	87,5	88,9				121,1
(12, M)	100	74,4	74,9	75,1	74,1	74,1	75,4	78,4	79,8	81,0	82,4	84,9	89,0	92,8	92,7				125,4
VEHICLE: JENOTS	125	77,2	75,9	76,2	76,2	75,7	78,7	80,9	81,7	82,7	85,4	87,4	91,1	94,0	95,8				127,6
CONFIG JE-059	160	83,1	79,6	79,1	79,1	79,4	81,6	83,8	83,9	87,1	88,1	89,9	92,9	95,8	97,1				129,7
LOC EVENDALE	200	81,8	81,3	79,3	79,8	80,0	81,8	83,0	84,8	86,5	89,8	92,6	96,4	99,0	101,3				132,6
DATE 05-07-75	250	84,0	83,5	82,3	82,3	82,5	83,3	83,8	85,8	92,3	92,5	96,3	98,5	102,2	102,4				135,1
RUN DBTF-MODEL 1	315	84,5	83,3	82,0	83,8	85,3	85,4	85,3	90,0	90,8	93,5	97,8	99,4	104,2	106,3				137,2
TAPE X10170	400	81,9	80,7	83,3	82,9	84,1	84,7	86,8	89,1	91,3	94,8	95,3	101,0	104,2	102,8				136,5
BAR 29,3 HG	500	84,3	84,3	84,6	83,0	83,9	85,4	87,2	89,4	91,2	92,7	95,4	102,9	105,3	102,3				137,2
(99043, N/M2)	630	83,8	84,7	84,4	83,2	84,4	85,0	88,1	89,6	91,9	93,7	97,4	102,3	103,4	102,6				136,7
TAMB 67, DEG F	800	83,4	85,9	84,9	84,8	85,8	85,8	87,9	90,4	92,3	93,0	97,9	103,8	100,9	101,2				135,7
(293, DEG K)	1000	84,1	85,9	84,8	84,4	84,8	86,7	88,7	89,8	92,1	93,6	97,2	98,7	97,1	93,4				134,0
THET 54, DEG F	1250	82,7	83,9	84,1	84,3	85,2	86,7	89,9	89,7	91,2	94,6	97,8	99,2	94,9	91,7				133,7
(285, DEG K)	1600	81,5	85,0	84,1	84,7	86,3	87,5	88,8	89,7	91,1	94,2	96,6	96,5	92,9	89,2				132,5
HACT 0, G4/M3	2000	82,3	83,3	84,0	86,2	86,7	87,6	88,5	89,3	90,7	92,9	95,2	95,0	90,3	87,3				131,5
(, KG/M3)	2500	81,3	83,8	85,5	84,7	85,8	86,7	88,2	89,6	91,3	92,8	93,5	93,4	89,1	86,0				130,8
FREQ, SHIFT	3150	81,3	84,1	86,0	86,3	87,1	87,6	88,8	89,4	90,3	93,9	93,4	93,4	89,8	87,4				131,2
JET 0	4000	80,4	84,2	85,9	87,0	87,4	88,6	90,1	90,9	91,8	94,6	94,0	93,0	90,0	88,0				132,0
DIAMETER RATIO	5000	81,7	85,0	86,3	87,8	88,5	89,6	91,5	93,3	94,6	96,5	96,0	95,6	92,3	90,3				134,0
DF/DM 1,00	6300	83,2	86,3	88,3	89,3	89,6	91,7	92,1	93,9	95,5	98,4	97,9	97,2	95,3	94,3				135,8
	8000	83,7	88,0	88,8	90,0	91,0	92,3	93,0	95,2	96,9	99,7	98,9	99,0	97,1	97,4				137,3
	10000	85,0	87,2	89,0	90,3	92,0	92,2	92,8	95,1	97,2	99,2	98,9	99,5	98,0	98,3				137,8
	12500	83,1	86,7	88,5	89,7	91,6	92,1	92,9	94,5	96,5	98,1	97,0	97,9	97,6	97,0				137,2
	16000	83,0	86,8	88,6	91,9	93,5	92,3	91,9	93,4	95,4	96,3	96,2	97,5	97,8	98,9				137,3
	20000	79,3	84,6	86,5	89,4	89,6	89,6	89,7	91,5	93,1	94,3	93,7	95,2	94,5	95,6				135,2
	25000	76,8	84,0	85,0	86,3	86,3	87,4	88,3	89,8	90,8	91,6	90,5	91,4	91,3	90,2				132,8
	31500	73,4	80,9	82,2	83,9	84,0	84,8	85,9	87,6	87,7	89,2	87,6	88,7	88,7	87,6				130,8
	40000	71,3	78,0	79,5	81,1	81,4	82,2	82,6	84,3	84,6	85,4	83,4	84,6	85,8	85,5				128,3
	50000	67,3	74,0	75,8	77,8	77,7	78,8	79,3	81,7	81,5	83,4	80,9	81,9	83,0	82,1				126,5
	63000	66,0	76,2	77,1	78,8	78,6	79,4	79,6	81,7	81,6	81,7	78,1	78,8	80,9	79,5				125,6
	80000	65,6	66,0	66,8	68,8	70,3	70,1	71,9	72,4	75,5	82,1	76,4	77,4	79,6	77,1				127,1
OVERALL MEASURED		96,5	98,7	99,5	100,7	101,7	102,4	103,4	105,1	106,8	109,1	109,9	112,0	113,1	112,9				149,0
OVERALL CALCULATED		107,5	109,7	110,8	111,5	112,2	113,8	114,8	116,4	117,9	120,5	121,1	121,9	121,4	120,7				

ORIGINAL PAGE IS OF POOR QUALITY

SPL INPUT AT STD REV. ALPHA 12/73	FREQ.	ANGLES FROM INLET IN DEGREES (AND RADIANS)																		PWL
		30, (0,52)	40, (0,70)	50, (0,87)	60, (1,05)	70, (1,22)	80, (1,40)	90, (1,57)	100, (1,75)	110, (1,92)	120, (2,09)	130, (2,27)	140, (2,44)	150, (2,62)	160, (2,79)	170, (2,97)	180, (3,14)	190, (3,31)	200, (3,49)	
NO EGA	50	69,3	69,3	70,1	70,2	70,0	69,8	71,1	71,8	72,9	75,1	76,5	79,3	83,1	82,2					116,5
RDG: NO. 01	63	71,6	71,6	72,1	72,2	72,3	74,1	74,3	75,7	76,1	78,3	80,1	82,9	86,5	86,3					119,9
RADIAL 40, FT. (12, M)	80	73,1	74,1	74,5	74,6	74,3	74,7	76,3	77,1	77,8	80,1	83,2	86,6	89,5	90,6					123,0
VEHICLE JENOTS	100	76,9	77,1	77,6	76,4	76,4	78,1	80,9	81,8	83,2	84,4	87,1	91,3	95,0	94,4					127,6
CONFIG JE-059	125	79,9	78,7	78,2	79,2	78,2	80,7	83,1	83,9	85,7	87,7	89,7	93,8	95,8	97,8					130,1
LOC EVENDALE	160	85,6	81,9	81,4	81,9	81,6	83,6	85,8	86,6	89,4	90,6	91,4	94,6	98,1	98,3					131,6
DATE 05-07-75	200	84,0	83,5	81,5	82,3	82,3	84,8	85,5	86,8	88,8	91,8	95,1	98,1	101,0	103,8					134,0
RUN DBTF-MODEL 1	250	86,5	86,3	84,8	84,8	84,8	85,3	85,8	87,5	89,5	94,0	97,8	100,0	104,2	103,1					136,6
TAPE X10180	315	87,3	85,3	84,3	86,0	86,8	87,4	88,8	89,8	91,5	95,3	98,8	101,6	106,4	107,3					138,8
BAR 29,3 HG (99,43, N/M2)	400	83,6	82,2	86,5	85,1	86,1	86,7	88,5	89,4	91,3	93,5	96,1	96,8	103,3	104,6					138,5
TAMB 70, DEG F (294, DEG K)	500	86,3	85,8	86,4	85,3	86,4	87,6	89,4	90,9	92,9	94,9	97,2	103,9	106,1	103,3					138,3
TWET 57, DEG F (287, DEG K)	630	85,8	85,9	86,4	85,4	86,7	87,3	89,6	89,6	91,4	94,2	95,2	99,4	103,6	104,9					138,1
HACT 9, GH/M3 (1, KG/M3)	800	85,2	88,1	86,9	87,3	88,0	88,0	89,6	92,6	94,3	97,0	99,4	101,5	100,9	101,7					136,8
FREQ. SHIFT	1000	86,1	90,9	86,8	86,7	87,5	88,4	90,9	91,6	94,1	97,3	99,2	99,7	101,6	95,7					135,6
JET 0	1250	84,7	86,2	86,6	87,0	87,7	88,7	89,5	92,2	93,7	97,4	99,6	100,0	95,4	92,7					135,4
DIAMETER RATIO DF/DH 1:00	1600	83,8	87,5	86,6	87,7	88,3	89,9	90,8	92,0	93,6	96,0	97,8	97,5	93,9	90,2					134,1
	2000	85,1	85,6	86,3	88,9	90,0	89,9	91,0	92,7	93,5	95,6	96,9	96,8	93,1	89,3					133,9
	2500	84,8	87,0	88,2	87,9	89,1	89,7	90,9	93,1	94,3	96,1	96,2	96,2	92,4	89,0					133,9
	3150	84,5	87,1	88,5	89,4	90,1	90,8	91,5	93,1	94,3	97,1	96,4	96,6	93,8	90,4					134,5
	4000	83,4	86,9	88,4	89,8	90,9	91,8	92,6	94,4	95,5	98,4	97,0	97,0	93,8	91,5					135,4
	5000	84,5	87,7	89,3	90,3	91,5	92,8	94,3	96,5	97,6	100,5	99,4	98,8	96,5	94,1					137,4
	6300	86,2	89,5	90,5	92,1	92,6	94,4	95,1	97,3	99,0	101,6	100,8	100,7	99,3	97,6					139,1
	8000	87,2	90,2	91,0	92,7	93,7	95,3	95,7	98,1	100,0	102,9	102,1	102,7	100,6	100,9					140,6
	10000	88,5	91,2	91,4	93,7	94,9	95,4	96,0	98,5	100,6	102,9	102,4	103,0	101,9	102,3					141,4
	12500	87,6	91,6	91,9	93,2	94,3	94,8	95,6	97,9	98,9	101,0	101,4	102,3	101,5	101,2					140,7
	16000	86,2	92,0	91,7	92,3	94,0	94,2	94,6	96,3	97,9	99,3	98,9	100,5	99,7	99,8					139,6
	20000	84,2	91,5	91,2	92,5	92,6	92,5	92,9	94,4	95,8	96,5	96,7	98,2	96,7	96,8					138,0
	25000	81,7	89,4	90,7	91,5	91,8	91,6	90,9	92,5	93,0	94,5	93,2	95,4	94,5	93,7					136,4
	31500	77,1	85,4	85,7	87,4	88,2	89,5	89,1	91,3	89,9	91,6	90,8	91,6	91,7	90,1					133,9
	40000	74,1	80,8	82,3	83,8	84,4	85,2	85,1	86,5	86,4	87,2	85,9	87,8	88,0	87,5					130,7
	50000	70,3	77,0	78,5	80,3	80,2	81,8	82,6	83,7	83,5	84,7	83,2	84,6	85,2	84,6					128,8
	63000	67,5	73,2	74,6	76,6	76,4	78,7	79,6	81,0	80,4	83,8	80,1	81,8	82,8	81,6					128,0
	80000	65,9	68,0	69,6	71,6	72,1	76,9	78,8	78,7	76,9	83,1	77,7	79,2	80,2	78,4					128,9
OVERALL MEASURED																				
OVERALL CALCULATED		99,4	102,2	102,5	103,5	104,4	105,1	106,0	108,0	109,6	111,9	112,4	114,2	115,0	114,3					151,5
PND8		110,4	112,6	113,2	114,3	115,1	116,2	117,4	119,8	121,0	123,5	123,7	124,6	123,9	122,4					

53

8/1

SPK INPUT AT STD REV, ALPHA 12/73	ANGLES FROM INLET IN DEGREES (AND RADIANS)																	PHL	
	30	40	50	60	70	80	90	100	110	120	130	140	150	160	170	180	190		200
NO EGA	50	70.6	70.8	71.6	71.2	71.5	71.3	72.4	73.8	74.6	76.6	79.0	81.3	84.8	85.2				118.5
BEG, NO. 0	80	72.6	74.1	74.9	75.2	74.5	74.9	75.8	76.9	77.6	82.1	83.6	85.4	89.2	89.8				122.7
BADIAL 40, FT.	100	75.1	76.1	76.0	76.6	76.3	76.4	78.3	79.1	80.6	82.8	85.2	89.4	92.0	93.6				125.6
(12, 4)	125	79.6	79.6	79.6	78.6	78.6	80.1	82.9	84.3	85.2	87.1	89.1	94.0	97.5	97.4				130.2
VEHICLE JENQTS	150	82.2	80.9	80.7	81.4	80.2	83.2	85.6	86.7	87.7	90.2	92.4	96.3	99.3	100.3				132.6
BCNFIG JENQ59	200	87.9	84.4	84.1	84.9	84.1	84.1	88.3	88.9	91.6	93.1	94.6	97.4	100.3	102.1				134.4
LOG EVENDALE	250	86.5	85.8	84.3	84.8	84.5	86.5	87.8	89.3	91.3	93.8	97.1	101.1	103.2	106.0				137.1
DATE 05-07-75	315	88.8	88.3	87.0	86.5	86.8	87.8	88.5	90.0	95.0	95.8	99.3	102.8	105.9	104.6				138.5
BUN CBTE=MODEL 1	400	89.5	87.8	86.5	87.8	89.0	89.9	88.8	93.3	94.3	97.3	101.0	103.9	108.2	109.5				140.9
TAPE X10190	500	86.1	84.7	87.5	86.9	88.6	88.9	90.8	93.1	95.0	98.6	98.5	105.5	108.9	106.6				140.8
BAR 29.3 HQ	630	88.3	88.7	89.3	87.5	88.7	89.9	91.9	93.4	95.7	96.9	99.2	105.4	107.3	104.6				139.9
(99111; N/M2)	800	87.2	90.7	89.1	89.8	90.5	89.3	92.3	93.6	96.4	97.7	101.4	104.8	107.1	104.8				140.0
TAMB 70; DEG F	1000	88.6	93.6	89.8	89.7	89.8	90.9	93.7	95.1	96.9	99.8	101.7	103.5	103.2	103.2				139.1
(294; DEG K)	1250	87.5	88.9	89.4	89.9	90.2	91.9	94.9	94.9	96.7	100.1	101.6	102.2	97.9	94.9				137.8
THET 56; DEG F	1600	87.3	90.0	89.6	90.7	91.6	92.5	94.0	95.7	97.3	99.5	100.8	99.7	96.6	93.2				137.9
(288; DEG K)	2000	88.6	88.3	89.0	92.1	92.7	93.6	93.8	95.8	97.2	99.6	100.2	99.8	96.3	92.8				137.2
HACT 0; GH/M3	2500	87.3	89.5	90.7	90.7	91.3	92.7	94.4	96.4	97.5	99.8	99.7	99.7	95.9	93.0				137.2
(1; KG/M3)	3150	87.8	89.9	91.3	92.7	93.6	93.8	95.3	96.6	98.0	101.4	100.7	100.1	97.1	94.6				137.1
FREQ, SHIFT	4000	86.9	89.7	90.4	92.5	94.1	95.0	96.1	98.2	99.3	101.6	100.8	100.3	98.3	95.2				138.9
JET	5000	88.2	90.5	91.3	93.1	94.8	95.8	97.3	99.3	101.3	103.7	102.7	102.6	100.0	97.8				140.7
DIAMETER RATIO	6300	89.7	91.3	92.0	94.3	95.6	97.7	98.1	100.6	102.3	104.6	103.1	103.7	102.6	100.3				142.0
DE/DM -1.00	8000	90.4	93.0	92.8	95.0	96.5	97.5	98.7	101.1	103.5	105.4	104.6	105.7	103.6	103.1				143.4
10000	92.0	94.4	93.9	95.7	97.4	98.4	98.7	101.5	103.6	105.4	105.1	106.0	104.4	103.8					144.1
12500	91.3	96.4	96.2	96.4	97.3	97.8	99.4	100.9	102.4	104.5	103.9	104.8	104.0	102.9					143.7
15000	90.4	97.2	96.7	97.3	98.2	97.5	97.9	99.8	100.6	102.0	101.7	103.0	101.2	100.6					142.6
20000	88.0	95.3	95.3	97.3	98.1	96.5	96.5	97.1	98.3	99.3	99.2	100.4	99.0	97.3					141.0
25000	83.7	90.4	91.2	94.0	95.5	95.6	94.8	95.2	96.0	97.0	96.2	97.6	96.2	94.7					139.1
31500	79.3	86.7	87.0	89.4	90.0	92.5	91.8	93.3	92.7	94.4	93.3	94.6	93.4	90.8					136.4
40000	75.8	83.3	84.0	86.1	87.1	86.9	87.6	88.8	89.4	90.9	89.6	91.0	90.2	88.0					133.4
50000	72.3	79.5	80.5	82.8	83.5	84.0	84.8	85.5	86.0	87.2	87.2	89.1	88.2	86.3					132.1
63000	69.8	77.5	78.1	80.1	81.2	80.7	81.6	83.2	83.2	84.3	85.6	88.1	88.3	85.6					132.7
80000	68.9	76.2	75.1	76.8	79.6	78.7	79.8	80.7	78.9	81.9	85.9	88.7	88.9	86.4					135.9
OVERALL MEASURED		102.4	105.4	105.3	106.5	107.6	108.2	109.1	111.0	112.7	114.9	115.0	116.7	117.3	116.5				154.2
OVERALL CALCULATED		153.4	115.1	115.6	116.9	118.0	119.2	120.3	122.4	124.1	126.5	126.5	127.4	126.7	125.0				

57

ORIGINAL PAGE IS OF POOR QUALITY

SPL INPUT AT STD REV: ALPHA 12/73	MODEL SOUND PRESSURE LEVELS (59, DEG F, 70 PERCENT REL HUM, DAY - JENOTS)																PWL	
	30,	40,	50,	60,	70,	80,	90,	100,	110,	120,	130,	140,	150,	160,	0,	0,		0,
EREQ,	(0.52)	(0.73)	(0.87)	(1.03)	(1.22)	(1.40)	(1.57)	(1.75)	(1.92)	(2.09)	(2.27)	(2.44)	(2.62)	(2.79)	(0.0)	(0.0)	(0.0)	
NO EGA	50	67,1	67,1	67,4	67,4	68,0	68,6	69,1	70,8	72,6	73,8	74,8	78,3	80,1	79,7			114,5
RDG: NO. 0	63	68,6	69,3	69,4	69,2	70,0	71,4	71,5	73,2	74,6	76,6	78,1	80,6	83,2	83,8			117,4
RADIAL 40, FT.	80	70,4	71,4	71,3	71,9	71,8	71,9	73,3	74,3	76,3	78,4	81,0	84,4	86,5	87,9			120,5
(12, H)	103	73,9	74,1	74,4	73,6	73,1	74,9	77,9	78,8	80,2	82,4	85,2	86,7	90,6	92,0	91,4		124,7
VEHICLE JENOTS	125	76,7	75,7	75,4	76,2	75,4	78,2	80,6	80,9	82,4	85,2	86,7	90,6	93,3	94,5			126,9
CONFIG JE-059	160	82,9	79,6	78,9	79,6	79,6	81,1	83,1	83,6	85,9	87,6	89,1	92,4	94,8	95,8			128,9
LOC EVENDALE	200	81,3	81,3	79,0	79,8	79,8	80,5	82,5	84,0	86,3	89,3	92,6	96,1	98,7	100,0			132,0
DATE 05-07-75	250	83,3	83,0	81,8	81,8	81,8	82,5	83,3	85,3	87,3	92,3	95,6	98,0	101,4	101,6			134,4
RUN DBTF-MODEL 1	315	85,0	83,0	82,0	83,0	84,5	85,9	85,0	89,5	91,3	94,8	97,5	99,6	103,9	103,8			137,0
TAPE X10210	400	81,9	80,7	83,5	82,4	83,9	84,4	86,8	89,3	91,5	95,6	96,3	101,8	103,7	103,1			136,7
BAR 29,3 HQ	500	84,8	83,1	83,1	82,5	83,2	85,1	87,4	88,7	90,7	93,2	95,7	102,9	105,3	101,6			137,1
(99043, N/M2)	630	85,3	84,7	84,7	83,2	84,4	85,0	88,1	89,6	92,4	93,7	98,4	103,3	104,6	102,8			137,6
TAMB 69, DEG F	800	84,2	86,7	84,6	84,8	85,5	85,5	87,1	90,1	91,8	95,8	98,0	101,3	101,2	102,7			136,2
(294, DEG K)	1000	85,1	86,4	84,5	84,4	85,0	86,7	88,9	90,6	92,4	96,1	98,2	99,7	98,6	97,7			134,9
THET 55, DEG F	1250	83,0	83,4	84,4	84,0	85,0	85,9	89,7	89,9	91,9	95,6	98,6	99,7	96,9	93,9			134,5
(286, DEG K)	1600	81,5	84,7	83,6	84,2	85,3	87,0	88,5	90,2	91,3	94,8	97,3	97,0	94,4	91,0			133,0
HACT 0, GM/M3	2000	82,3	82,6	82,8	85,4	86,5	86,9	87,8	89,6	91,0	93,1	95,7	95,3	91,8	88,8			131,7
(, KG/M3)	2500	80,8	82,8	84,3	83,7	84,6	86,2	87,4	88,9	90,8	92,8	93,5	93,7	88,9	86,7			130,6
FREQ, SHIFT	3150	80,6	82,4	83,9	84,5	85,3	86,1	87,5	88,9	90,1	93,1	93,2	92,4	89,1	86,4			130,4
JET 0	4000	79,2	82,4	83,2	84,8	85,6	86,8	87,4	89,2	90,3	92,4	93,0	91,5	88,8	86,8			130,3
DIAMETER RATIO	5000	79,5	82,5	83,9	85,3	85,8	87,6	88,5	89,5	92,1	94,5	94,2	94,1	91,0	88,6			131,9
DF/DH 1,00	6000	80,7	84,1	85,0	86,3	86,9	89,2	89,7	91,1	92,5	95,7	95,4	95,7	93,6	92,1			133,3
	8000	80,5	84,5	85,8	86,8	88,5	89,3	90,3	91,9	92,8	95,9	95,9	96,2	94,2	94,7			134,2
	10000	80,8	84,5	86,3	87,3	89,0	89,9	90,8	91,8	93,2	95,2	95,4	95,5	94,2	94,6			134,3
	12500	79,1	83,4	85,5	86,7	88,4	89,1	89,4	91,0	92,0	94,6	94,0	94,2	93,1	92,3			133,6
	16000	77,0	81,6	83,6	84,9	87,3	87,6	88,4	89,7	91,0	92,9	91,8	92,8	91,3	90,9			132,4
	20000	74,3	79,9	81,1	82,6	84,6	85,1	86,4	88,0	89,1	90,6	89,8	90,3	88,6	88,9			130,7
	25000	71,6	77,3	79,0	80,4	81,6	82,9	84,0	85,8	87,0	88,3	86,3	87,2	86,3	86,0			128,7
	31500	67,7	73,7	74,8	77,2	78,0	80,6	81,7	83,6	83,5	85,2	84,1	84,0	83,3	82,4			126,3
	40000	64,9	71,1	72,6	73,6	74,9	76,0	77,2	79,8	80,7	81,5	79,4	80,1	79,5	79,0			123,3
	50000	63,9	68,3	69,3	70,6	71,5	72,6	74,1	77,3	77,3	79,7	76,4	77,7	77,5	75,6			121,7
	63000	63,8	65,5	66,6	68,1	68,6	68,9	70,9	76,9	77,1	79,5	75,1	77,3	77,5	74,8			122,5
	80000	64,9	64,0	64,1	65,3	68,1	66,7	69,5	78,9	74,1	80,6	75,9	78,1	78,6	75,3			125,9
OVERALL MEASURED		95,8	97,1	97,5	98,1	99,2	100,3	101,5	103,3	104,9	107,6	109,2	111,4	112,7	112,3			147,8
OVERALL CALCULATED		106,8	108,4	109,0	109,7	110,6	111,9	113,0	114,7	116,4	119,1	120,0	121,2	121,1	120,2			

59

ORIGINAL PAGE IS
OF POOR QUALITY

121

SPL INPUT AT STD REV: ALPHA 12/73	ANGLES FROM INLET IN DEGREES (AND RADIAN)																PNL	
	30,	40,	50,	60,	70,	80,	90,	100,	110,	120,	130,	140,	150,	160,	0,	0,		0,
FREQ.	(0.52)	(0.70)	(0.87)	(1.05)	(1.22)	(1.40)	(1.57)	(1.75)	(1.92)	(2.09)	(2.27)	(2.44)	(2.62)	(2.79)	(0.0)	(0.0)	(0.0)	
RDG: NO EGA	50	69,8	69,3	69,1	68,9	69,2	69,6	70,6	71,3	71,9	73,3	76,0	78,5	82,3	81,7			115,7
RADIAL 40, FT.	60	71,6	71,1	71,4	71,5	72,3	72,9	74,0	74,4	74,9	76,8	79,6	82,6	85,7	86,3			119,4
VEHICLE JENOTS	100	77,1	76,6	77,1	75,9	75,9	77,4	80,2	81,1	82,5	84,4	86,9	91,3	94,3	94,4			127,2
CONFIG JE-059	125	79,9	77,9	77,7	77,2	77,4	80,4	83,1	83,4	84,4	87,4	89,2	93,1	96,0	97,5			129,5
LOC EVENDALE	160	86,6	82,1	81,4	81,6	81,6	83,1	85,3	85,6	88,6	90,1	91,4	95,1	97,8	98,1			131,5
DATE 05-07-75	200	84,3	83,0	81,5	81,5	82,0	83,5	85,0	86,8	87,3	92,3	95,1	99,1	101,2	102,5			134,6
RUN DBTF-MODEL 1	250	85,3	85,0	83,8	84,3	84,5	85,3	86,8	87,1	93,0	94,3	97,8	100,0	102,1	106,7			136,9
TAPE X10220	315	87,3	85,3	84,3	86,0	86,8	87,4	88,8	91,5	93,0	96,5	100,0	102,1	106,7	107,5			139,0
BAR 29,3 HG	400	84,1	82,4	83,5	84,6	85,9	86,4	88,5	90,8	93,5	97,3	98,0	103,8	106,9	105,1			139,7
(99043, N/M2)	500	86,6	86,6	86,8	85,3	85,9	87,1	89,4	91,2	92,7	95,2	98,4	105,6	107,8	104,1			139,7
TAMB 67, DEG F	600	87,1	87,2	86,9	85,4	86,9	87,8	89,6	91,6	94,7	96,4	101,2	105,6	106,9	104,1			139,7
(293, DEG K)	800	85,7	88,1	87,1	86,8	87,8	87,8	89,6	92,6	94,5	98,0	100,2	103,3	103,2	103,4			138,1
THET 54, DEG F	1000	86,8	87,9	87,3	86,4	86,8	88,7	90,4	92,1	94,9	97,8	100,4	101,2	100,1	97,9			136,6
(295, DEG K)	1250	84,7	85,7	86,4	86,5	87,5	88,7	91,4	91,9	94,4	97,9	100,6	101,7	97,7	94,9			136,4
HACT 0, GM/M3	1600	83,8	86,5	86,4	87,0	87,8	89,2	90,5	92,0	93,3	96,7	98,8	98,5	95,1	91,5			134,7
(, KG/M3)	2000	84,8	85,1	85,8	88,2	88,5	89,4	90,3	91,6	93,5	95,9	97,9	97,0	93,3	89,8			133,9
FREQ. SHIFT	2500	83,3	86,0	87,2	86,7	87,6	88,7	89,7	91,6	93,8	95,3	96,0	95,7	91,4	88,2			133,1
JET 0	3150	83,1	85,9	87,8	88,2	88,6	89,8	90,0	92,1	92,8	95,6	95,7	94,9	91,6	88,6			133,1
DIAMETER RATIO	4000	82,6	85,7	87,0	88,3	89,4	90,6	91,6	92,9	94,3	96,9	96,0	95,0	92,5	90,0			134,1
DF/DM 1,00	5000	83,0	86,3	87,6	88,8	90,0	91,1	92,5	95,0	96,3	99,0	97,7	97,6	94,5	92,1			135,9
	6000	85,0	88,1	89,3	90,3	91,4	92,7	93,4	95,6	97,5	100,7	99,6	99,2	97,1	95,6			137,6
	8000	85,0	89,0	89,8	91,3	92,5	93,3	94,2	96,2	98,0	101,4	100,7	101,0	99,1	98,4			138,9
	10000	85,8	89,0	89,7	91,3	92,0	93,7	94,3	97,1	98,7	101,2	100,9	101,0	99,7	99,8			139,5
	12500	85,1	89,4	90,3	92,0	93,1	93,6	94,2	96,0	98,0	100,1	99,7	100,7	99,6	100,0			139,3
	16000	86,8	92,3	91,6	94,1	94,8	93,0	93,4	95,4	96,4	98,3	98,0	99,3	100,3	101,1			139,2
	20000	81,3	87,3	88,3	89,1	90,4	90,1	90,9	92,5	94,8	95,6	95,2	96,2	95,8	95,1			136,3
	25000	79,5	86,7	87,7	88,8	89,1	89,6	89,2	91,8	91,5	93,1	91,8	93,7	93,3	93,0			134,6
	31500	75,9	83,4	84,7	85,7	86,2	87,8	87,4	88,8	88,9	90,4	89,3	90,7	90,5	89,4			132,6
	40000	72,8	79,5	80,8	82,8	83,6	83,9	84,1	85,3	85,9	86,9	85,1	86,6	87,3	86,3			129,8
	50000	69,6	75,8	77,5	79,1	79,2	80,6	81,6	82,7	82,5	84,4	82,4	83,9	84,7	83,3			128,0
	63000	66,7	71,4	73,3	75,3	75,1	77,6	79,3	80,1	79,6	82,5	79,8	81,0	82,4	80,5			127,1
	80000	66,1	67,0	68,0	70,0	71,3	76,6	78,7	78,9	78,6	83,1	77,1	79,6	80,6	78,6			128,8
OVERALL MEASURED		98,8	101,0	101,4	102,4	103,3	103,9	104,9	106,8	108,7	111,3	112,3	114,5	115,6	114,5			154,1
OVERALL CALCULATED		109,5	111,5	112,4	113,0	113,9	115,0	116,2	118,2	120,0	122,9	123,3	124,1	123,7	122,3			

80

122

SPL INPUT AT STD BEV, ALPHA 12(73)	ANGLES FROM INLET IN DEGREES (AND RADIANS)																	PWL
	30	40	50	60	70	80	90	100	110	120	130	140	150	160	170	180		
FREQ	(0,52)	(0,70)	(0,87)	(1,05)	(1,22)	(1,40)	(1,57)	(1,75)	(1,92)	(2,09)	(2,27)	(2,44)	(2,62)	(2,79)	(2,97)	(3,14)	(3,31)	
NO EGA	70,3	70,3	70,9	71,2	71,2	71,3	72,1	72,8	74,1	76,6	78,8	81,0	84,6	84,7				118,2
BEG, NO, 01	72,3	73,8	73,9	74,0	74,8	75,6	76,0	76,4	77,1	79,6	83,3	85,1	88,2	89,1				122,0
BADIAL 40, FT, (12, M)	74,6	75,6	75,8	75,9	76,0	76,2	77,8	78,3	79,8	81,6	85,2	88,9	91,3	93,1				125,0
125	78,6	79,1	78,9	78,1	77,9	79,4	82,2	83,3	84,8	86,1	88,9	93,3	97,0	96,9				129,6
VEHICLE JEMOTS	81,4	80,4	80,4	80,9	79,9	82,7	84,6	85,2	86,9	89,0	91,2	95,3	98,3	99,5				131,7
180	87,1	83,9	83,4	84,1	83,9	85,4	87,8	87,9	90,6	91,9	93,9	96,9	99,8	100,6				133,6
BCNFIG JEMOTS	86,3	85,3	84,0	84,3	84,3	86,0	87,3	88,8	90,8	93,9	96,8	100,6	102,7	105,5				136,7
LCC EVENDALE	87,8	87,8	86,3	86,8	86,5	87,3	87,8	89,3	90,8	95,5	99,5	102,5	105,9	104,8				138,3
DATE 05-07-75	89,3	87,5	86,0	87,0	88,3	89,4	89,0	93,3	94,0	97,3	101,3	103,9	107,9	109,8				140,9
BUN 087E-MODEL 1	85,4	83,9	87,5	86,1	87,6	88,4	91,0	93,1	95,0	98,6	99,0	105,8	108,7	106,8				140,8
1400	87,3	87,3	88,3	87,0	87,7	89,1	91,2	93,4	95,2	96,9	99,2	105,8	108,1	109,1				140,2
TARE X10250	87,8	88,2	88,2	87,7	88,4	88,8	91,3	93,6	96,2	97,7	101,9	105,8	108,1	109,1				140,2
BAR 29,3, HQ	86,7	89,4	88,4	89,0	89,5	89,8	91,4	94,6	96,3	99,8	101,9	103,5	103,2	103,2				140,6
99111, N/M2	87,8	92,1	89,0	88,2	88,8	90,2	91,9	94,1	96,2	99,8	101,2	101,7	100,4	97,9				140,8
YAMB 70, DEG F	86,5	87,7	88,1	89,0	89,2	90,7	92,7	94,7	95,9	99,3	101,6	101,5	97,9	95,2				137,7
(294, DEG K)	85,5	89,0	88,1	88,0	90,3	92,2	92,8	94,2	96,1	98,7	100,3	99,2	96,4	92,2				137,4
1220	87,1	87,3	87,8	90,4	91,2	92,1	93,3	94,3	95,8	98,1	99,2	98,5	95,3	92,5				136,4
1600	85,8	87,8	89,2	89,2	90,3	91,4	93,2	94,9	96,5	98,3	98,2	98,2	94,1	91,5				136,0
YMET 98, DEG F	86,5	88,4	89,3	90,4	91,6	92,6	93,5	95,1	96,5	99,6	98,7	98,6	95,6	92,9				135,9
(286, DEG K)	85,6	87,9	89,2	91,3	92,1	93,3	94,6	95,9	97,3	99,9	99,5	98,8	96,3	94,0				136,6
HAST 0, GM/M3	87,0	88,7	89,3	92,1	92,8	94,3	95,8	98,0	99,8	102,2	100,9	101,1	98,7	96,3				137,2
1	88,0	89,5	90,5	93,1	94,1	96,2	97,1	98,8	99,8	101,7	103,4	102,7	100,6	99,8				139,2
KG/M3	89,2	91,0	91,8	93,0	95,0	96,3	96,9	99,1	100,3	103,4	102,1	102,7	100,6	99,8				139,6
PREQ, SWIFT	90,7	92,2	92,7	95,7	96,2	96,9	97,5	100,3	102,1	103,9	104,4	104,7	103,7	102,4				140,9
JET 0	89,8	93,9	92,9	94,2	95,3	96,3	97,6	99,7	100,6	102,7	102,7	103,8	103,0	101,9				141,9
DIAMETER RATIO	88,4	94,2	94,0	94,5	95,7	95,5	96,4	97,8	98,9	100,5	100,7	101,7	101,0	100,3				142,2
6300	86,12	93,5	93,5	94,8	95,6	94,3	94,1	95,6	96,8	98,0	98,2	99,2	98,5	97,5				141,0
DF/DM 1,00	83,10	89,7	90,7	93,0	93,8	94,3	93,2	94,0	94,7	95,8	95,0	96,2	95,7	94,7				137,9
10000	78,13	84,9	88,12	88,9	89,2	91,3	90,8	92,0	94,4	93,1	92,3	93,6	93,4	91,3				135,5
12500	75,16	82,0	83,15	85,16	86,4	88,0	87,4	88,10	88,4	89,14	88,6	90,0	90,2	88,7				132,7
16000	71,18	79,3	80,15	82,16	82,7	83,3	84,3	85,2	85,3	87,4	86,4	88,9	88,7	86,8				131,3
20000	69,18	76,7	77,9	80,11	80,12	80,4	81,6	82,5	82,9	85,6	85,9	87,8	88,3	86,6				131,6
25000	68,19	75,0	75,11	76,16	78,8	78,9	80,0	80,9	78,9	85,4	85,7	88,9	88,7	86,6				134,2
31500																		
40000																		
50000																		
63000																		
80000																		
OVERALL MEASURED																		
OVERALL CALCULATED	101,2	103,7	103,7	105,0	105,9	106,8	107,8	109,7	111,3	113,6	114,3	116,1	117,4	116,3				133,3
PNDR	112,2	113,7	114,2	115,6	116,5	118,0	119,2	121,0	122,8	125,4	125,5	126,8	125,9	124,6				

61

ORIGINAL PAGE IS
OF POOR QUALITY

SPL INPUT AT STD REV, ALPHA 12/73	FREQ	ANGLES FROM INLET IN DEGREES (AND RADIAN)																		PHL
		30	40	50	60	70	80	90	100	110	120	130	140	150	160	170	180	190	200	
NO BGA	50	72.1	72.6	73.1	72.7	72.5	73.3	73.9	74.5	75.1	77.6	80.3	83.0	86.3	87.2					120.0
NO BGA	63	74.6	74.3	75.6	76.2	76.8	76.4	77.8	77.9	78.4	80.8	84.3	87.6	90.5	91.1					123.9
NO BGA	80	76.4	77.6	78.0	78.1	77.8	78.7	80.3	80.3	81.6	83.9	87.7	90.9	93.5	95.4					127.2
RADIAL 40 FT	100	80.9	80.9	81.1	80.6	80.4	81.4	84.2	85.3	86.2	88.1	90.9	93.3	95.9	98.9					131.6
(12 M)	125	83.9	82.9	82.7	82.9	82.2	84.7	87.6	87.9	88.9	91.4	93.9	97.8	100.8	102.0					134.1
VEHICLE JENOTS	150	89.4	86.1	85.9	86.4	85.6	87.6	90.3	89.9	92.6	94.4	95.9	99.6	101.8	103.6					135.9
CONFIG JE=059	200	88.5	87.5	86.8	86.3	86.5	88.3	89.5	90.5	92.3	95.8	99.8	103.4	105.5	107.0					139.0
LOC EVENDALE	250	90.3	90.3	88.8	88.3	88.3	89.5	89.8	91.5	97.0	97.5	101.8	105.3	108.2	109.1					140.6
DATE 05-07-75	315	91.3	89.8	88.5	89.8	90.5	91.4	90.5	94.8	95.5	99.5	103.5	106.1	108.4	110.1					142.9
BUN DBTE=MODEL 1	400	91.4	86.2	89.3	88.9	89.9	90.2	92.8	94.8	97.2	100.6	101.3	107.5	111.4	108.3					143.0
TYPE X10240	500	90.1	90.3	89.0	89.3	90.4	91.6	93.7	95.7	97.4	99.4	102.2	108.4	110.1	109.1					142.7
BAR 29.3 HG	630	90.1	89.9	90.4	89.2	90.4	90.8	94.1	95.9	98.4	99.9	104.2	107.8	110.1	108.3					142.9
199111 N/M2	800	89.7	92.4	90.4	91.3	92.3	92.0	94.4	97.1	99.3	102.3	103.9	106.3	105.7	105.7					141.4
YAW 67 DEG F	1000	90.6	95.4	90.8	90.9	91.5	90.9	94.9	97.1	99.1	102.3	104.0	103.7	102.6	100.2					140.2
(293 DEG K)	1250	89.5	90.7	90.8	91.0	92.2	93.4	97.2	96.7	98.7	102.1	104.6	103.7	100.4	97.7					140.0
THET 56 DEG F	1600	88.3	91.7	91.1	91.5	93.1	94.0	96.6	97.2	98.8	101.7	102.8	101.7	98.4	95.5					139.1
(286 DEG K)	2000	89.8	90.1	90.5	92.9	94.0	95.1	96.0	97.1	99.0	101.4	102.1	101.5	98.3	95.0					139.0
WACT 9 GM/M3	2500	89.0	91.5	92.0	91.7	92.8	94.6	95.9	97.9	99.8	102.3	101.2	100.9	97.4	94.7					139.0
1 KG/M3	3150	89.0	91.1	91.7	93.4	94.6	95.5	96.5	98.1	99.8	102.3	102.1	101.6	98.5	96.3					139.6
FREQ SWIPT	4000	88.3	91.1	92.0	93.2	95.1	96.7	97.5	99.4	100.7	102.6	102.5	101.7	99.5	97.2					140.3
JET 0	5000	89.7	91.7	92.0	93.8	95.3	96.8	98.7	100.4	102.7	104.7	103.6	103.8	100.9	99.5					141.8
DIAMETER RATIO	6300	90.6	92.9	93.1	94.2	96.3	98.3	99.3	101.3	103.4	105.1	104.2	103.5	101.5	101.5					142.9
DF/DM 1.00	8000	91.6	93.6	95.3	95.3	96.9	98.7	99.3	101.5	103.8	105.7	105.0	105.3	104.5	103.2					143.7
	10000	92.0	95.5	95.5	95.6	97.3	97.9	99.3	101.5	104.2	105.7	105.4	105.0	104.2	103.3					144.3
	12500	92.3	97.9	97.7	97.4	98.1	98.1	99.6	101.5	102.9	104.5	103.9	105.4	103.3	102.0					143.9
	16000	91.4	99.0	98.2	98.3	98.7	98.2	98.3	99.8	101.3	102.0	101.6	102.9	101.4	99.3					142.9
	20000	88.4	95.7	95.7	97.7	98.7	97.9	96.6	97.3	98.9	99.12	99.4	100.6	98.4	96.2					141.4
	25000	84.2	90.9	91.9	93.7	95.0	96.2	95.1	96.4	96.1	96.7	96.4	97.6	96.1	93.9					139.2
	31500	80.3	87.9	87.9	89.3	90.1	92.4	93.0	93.7	93.1	94.3	94.0	94.6	93.1	90.5					136.7
	40000	76.5	84.5	84.5	87.0	87.9	87.9	88.6	89.3	90.1	90.7	90.4	91.0	90.5	88.0					133.9
	50000	73.4	81.3	81.8	83.6	84.5	83.3	85.9	86.5	87.4	88.9	87.4	89.7	89.0	86.4					132.6
	63000	71.2	77.1	78.8	81.2	81.8	82.0	83.0	84.1	83.8	86.7	86.3	88.7	80.7	86.7					132.5
	80000	69.1	72.2	76.3	78.0	79.5	79.1	80.4	81.6	80.6	86.1	86.1	89.4	89.4	86.8					134.7
OVERALL MEASURED																				
OVERALL CALCULATED		103.7	106.8	106.5	107.2	108.3	109.1	110.2	112.0	113.0	115.8	116.5	118.3	119.2	118.1					155.4
PNRP		114.8	116.5	116.8	117.7	119.1	120.5	121.8	123.5	125.6	127.8	128.0	128.9	128.2	126.6					

62

12.4

SPL INPUT AT STU BEV, ALPHA 12273	ANGLES FROM INLET IN DEGREES (AND RADIANS)																	PWL	
	30	40	50	60	70	80	90	100	110	120	130	140	150	160	170	180	190		200
NO EGA	75.1	75.1	75.1	74.7	74.7	74.1	76.1	77.3	77.6	80.1	83.0	85.8	89.6	95.2					124.5
BCQ, NO, 01	77.8	77.6	77.6	78.0	78.0	79.1	79.8	79.9	80.4	84.1	86.6	89.9	98.5	96.6					127.3
BADIAL 40. FT.	83.6	83.1	80.5	79.9	79.5	79.9	81.8	82.3	83.3	86.4	89.7	93.4	96.3	99.9					130.3
12. 41	86.2	85.2	85.2	85.4	85.2	87.4	86.9	87.6	89.0	90.9	93.9	98.0	101.8	102.9					134.6
VEHICLE JENOTS	87.1	88.4	87.9	88.4	88.6	89.9	90.6	92.6	94.9	96.6	98.6	101.9	104.6	106.3					138.5
CONFIG JE#059	91.3	90.0	88.8	88.8	89.0	90.5	91.5	92.5	93.5	99.5	100.8	102.8	107.1	108.2					142.0
LCC EVENDALE	92.8	92.3	90.8	90.5	90.5	91.5	92.5	93.5	97.8	97.8	102.0	106.8	110.1	113.7					143.8
DATE 05-07-75	94.0	91.8	91.0	92.0	93.3	93.4	93.0	96.8	97.8	102.0	106.8	110.1	113.7	112.0					145.7
RUN CBTF=MODEL 1	91.4	88.9	91.8	91.6	92.4	93.2	95.3	96.8	99.8	103.6	104.8	110.3	114.9	110.1					146.0
TAPE X10250	93.8	93.3	93.6	92.5	93.2	94.4	95.9	98.9	100.2	102.7	105.4	112.1	113.3	110.8					146.0
BAR 29.3 HG	94.6	93.9	93.4	92.4	93.7	93.5	96.6	98.9	101.4	102.7	105.4	112.1	113.3	110.8					146.4
99111 N/42)	93.7	95.6	93.9	94.3	95.0	95.5	97.1	100.4	102.0	105.5	107.2	109.8	110.2	111.2					145.2
TAMB 67. DEG F	95.1	98.6	94.3	93.9	94.5	95.9	98.2	99.8	102.6	106.1	107.4	110.2	110.4	108.7					144.1
(293. DEG K)	93.2	93.7	93.9	94.0	95.0	96.7	99.7	100.4	101.9	105.6	107.1	106.2	106.2	103.9					143.3
YWET 58. DEG F	92.3	94.7	93.9	94.5	96.1	97.0	99.3	100.7	103.1	105.5	106.3	105.2	103.6	101.7					142.8
(288. DEG K)	93.8	93.3	93.0	96.4	96.7	97.8	98.8	100.8	102.7	104.9	105.9	104.5	103.6	102.3					142.6
MACT 9. GM/M3	92.8	93.3	94.5	94.4	95.6	97.1	98.7	100.6	103.9	105.1	105.2	104.4	102.9	101.0					142.4
f: KG/M3)	92.5	94.1	94.7	96.2	97.1	98.5	99.2	100.8	103.5	105.6	105.6	104.6	104.0	102.1					143.0
EREG, SHIFT	92.1	93.6	94.2	95.7	97.3	98.7	99.8	101.9	104.2	105.3	105.5	104.7	104.0	101.7					143.2
JET	92.7	93.9	94.8	96.0	97.7	99.5	100.9	102.9	106.0	106.9	106.5	106.5	105.2	102.3					144.6
DIAMETER BATIO	93.1	94.9	95.4	97.5	98.5	100.3	101.5	103.8	106.2	107.1	106.5	107.1	106.2	102.2					145.2
DE/DM 1.00	93.1	96.6	96.4	97.6	99.1	101.2	101.8	104.0	106.3	107.5	107.5	107.3	107.6	104.2					145.8
10000	94.0	98.5	98.7	98.8	99.5	100.9	101.0	104.3	106.4	106.9	107.2	106.5	104.3	101.3					145.8
12500	94.6	100.9	101.2	100.7	101.1	101.1	101.4	103.5	104.9	105.8	105.7	105.4	103.3	100.2					145.5
16000	92.9	99.0	100.5	101.0	101.9	100.9	100.8	102.1	102.8	103.5	103.1	103.2	100.9	97.8					144.5
20000	89.7	95.5	96.7	98.7	100.0	99.9	99.1	100.1	100.7	100.9	100.4	100.4	97.9	94.7					142.7
25000	85.9	92.6	93.6	94.5	96.0	97.0	96.6	97.4	98.1	98.4	97.6	97.3	95.9	92.1					140.3
31500	81.5	88.8	90.1	91.1	91.6	93.4	93.8	94.2	94.6	95.3	94.7	95.1	93.4	89.8					137.6
40000	78.5	85.5	87.0	87.8	88.6	89.4	89.6	91.0	91.6	92.7	91.4	91.8	90.0	86.2					135.4
50000	74.9	81.8	83.6	84.9	84.8	86.6	86.4	87.8	88.8	91.7	88.9	89.9	88.5	84.6					133.7
63000	71.9	79.1	80.5	81.7	82.3	83.0	83.8	85.1	85.8	87.3	87.3	89.7	89.2	85.7					134.4
80000	69.4	76.0	76.8	78.3	80.3	80.1	81.2	82.1	81.6	83.6	86.9	89.9	89.1	86.6					137.2
OVERALL MEASURED	106.7	109.1	109.2	109.8	110.7	111.6	113.6	114.5	116.6	118.3	119.4	121.0	122.6	120.8					158.1
OVERALL CALCULATED	118.1	119.3	119.4	120.5	121.5	122.9	124.2	126.2	128.8	130.4	131.1	131.7	131.8	129.8					158.1

63

ORIGINAL PAGE IS
OF POOR QUALITY

MODEL SOUND PRESSURE LEVELS (59, DEG F, 70 PERCENT REL. HUM, DAY - JENOTS)

SPL INPUT AT STD REV: ALPHA 12/73	FREQ	ANGLES FROM INLET IN DEGREES (AND RADIANS)																		PWL
		30, (0.52)	40, (0.70)	50, (0.87)	60, (1.05)	70, (1.22)	80, (1.40)	90, (1.57)	100, (1.75)	110, (1.92)	120, (2.09)	130, (2.27)	140, (2.44)	150, (2.62)	160, (2.79)	0, (0)	0, (0)	0, (0)		
NO EGA	50	59,3	60,1	60,4	60,7	60,7	61,1	61,6	62,8	63,1	64,8	67,0	69,8	72,8	72,2				106,6	
RDG. NO. 0	63	61,3	61,8	61,7	62,0	63,3	64,9	64,5	65,4	65,9	68,1	70,3	72,6	76,0	76,3				109,8	
RADIAL 40 FT. (12. M)	80	62,9	63,9	63,8	64,4	64,5	64,7	66,6	67,1	67,6	70,9	73,0	76,9	79,0	80,1				112,9	
VEHICLE JENOTS	100	65,9	65,9	67,1	68,9	65,6	67,1	70,2	71,6	73,0	75,4	78,2	80,8	84,3	83,7				116,9	
CONFIG JE-059	125	68,7	67,7	67,9	68,2	67,7	70,9	73,4	73,9	75,4	78,2	80,6	81,4	83,1	86,0	88,0			119,8	
LOC EVENDALE	160	74,4	71,9	70,4	71,1	71,4	73,6	76,3	76,4	78,6	80,6	81,4	84,1	86,3	87,8				120,9	
DATE 05-07-75	200	73,8	73,5	71,3	71,8	72,3	74,3	75,8	77,0	79,3	82,3	84,1	87,6	89,7	91,0				123,5	
RUN DBTF-MODEL 1	250	76,5	75,8	75,3	76,3	76,0	76,3	78,3	80,4	84,3	86,3	88,5	89,5	92,4	92,9				126,6	
TAPE X10260	315	78,0	76,8	75,5	76,3	78,3	80,4	84,3	84,3	85,3	88,0	89,8	90,1	93,7	96,0				128,1	
BAR 29.3 HG (99043, N/M2)	400	74,1	72,2	75,5	75,6	77,4	77,2	80,3	82,6	85,3	88,3	87,5	92,3	94,7	93,1				127,9	
TAMP 64 DEG F (291, DEG K)	500	73,8	74,1	75,6	74,0	75,2	76,6	79,2	80,2	81,9	83,9	85,9	91,4	92,6	91,1				125,9	
THET 53 DEG F (285, DEG K)	630	73,3	74,9	75,7	74,7	75,7	76,3	79,1	81,1	82,7	84,4	87,2	89,8	90,6	91,1				125,3	
HAC 0, GM/M3 (1, KG/M3)	800	73,9	77,1	75,6	76,0	76,5	76,8	78,6	81,4	82,8	85,5	87,2	89,3	88,7	89,7				124,7	
FREQ. SHIFT	1000	74,6	77,4	76,3	75,6	76,5	77,4	79,7	81,3	82,9	85,8	86,4	87,7	85,6	83,7				123,7	
JET 0	1250	74,0	74,7	75,6	75,8	76,5	77,7	80,6	80,9	82,7	85,1	87,1	88,2	84,2	85,9				123,6	
DIAMETER RATIO DF/DM 1.00	1600	73,0	76,0	75,4	75,7	77,1	78,2	79,3	80,5	82,1	83,7	85,8	86,0	82,6	78,2				122,4	
	2000	74,8	74,3	73,0	77,4	78,2	78,6	79,3	80,3	81,7	83,1	84,9	85,0	81,3	78,3				122,0	
	2500	73,5	76,0	77,0	76,2	76,8	77,7	78,9	80,6	81,3	83,1	83,7	84,4	79,9	77,7				121,5	
	3150	73,0	75,9	77,0	77,4	77,6	78,3	78,8	80,4	81,0	83,3	84,4	84,6	81,5	79,1				121,9	
	4000	72,1	74,9	76,7	77,3	77,6	78,8	79,8	81,4	82,3	84,4	85,3	84,5	82,0	79,7				122,6	
	5000	72,7	76,0	77,1	77,8	78,5	79,3	81,0	82,2	83,3	85,5	86,4	86,3	83,0	81,6				123,8	
	6300	73,4	76,5	78,2	79,6	80,3	81,2	81,4	83,3	83,5	85,6	86,8	86,4	83,5	82,5				124,5	
	8000	72,7	77,2	78,7	79,7	81,5	82,3	81,9	83,9	83,9	85,3	86,1	85,9	83,6	82,3				124,9	
	10000	71,9	77,6	79,4	80,5	82,2	82,1	81,7	83,5	83,6	85,3	85,6	84,7	82,4	82,0				124,9	
	12500	70,8	76,8	79,4	80,9	82,5	82,3	81,8	83,2	82,9	84,7	84,9	84,1	81,3	80,1				124,8	
	16000	68,4	74,9	76,9	78,7	80,1	80,4	80,3	81,8	81,8	83,2	82,6	82,2	79,4	78,3				123,5	
	20000	65,6	72,4	74,4	75,7	77,7	77,2	78,0	79,6	80,4	81,2	80,6	79,1	76,9	75,4				121,6	
	25000	62,1	70,1	72,1	73,2	74,4	75,0	75,8	77,4	77,9	78,7	76,9	76,3	74,1	71,8				119,5	
	31500	58,7	66,3	68,1	69,3	70,1	71,9	72,7	74,4	74,1	75,8	73,7	73,0	70,6	68,2				116,7	
	40000	56,2	63,6	64,6	66,2	67,0	67,5	68,2	70,1	70,8	71,8	69,0	68,4	66,9	64,6				113,6	
	50000	54,0	60,2	61,4	62,5	62,9	63,4	64,2	67,6	66,9	69,8	66,3	66,5	65,9	63,5				111,7	
	63000	54,4	57,8	58,7	59,7	60,0	60,0	61,0	66,8	65,0	69,4	64,5	66,4	66,4	63,7				112,4	
	80000	54,8	55,9	55,5	56,2	58,2	57,6	59,1	67,3	64,3	71,3	65,0	68,0	67,8	65,0				116,1	
OVERALL MEASURED		87,3	89,2	90,1	90,8	91,9	92,6	93,4	95,2	96,5	98,5	99,6	101,1	101,9	102,0				138,2	
OVERALL CALCULATED		98,7	100,9	101,7	102,3	103,1	103,9	105,0	105,8	107,8	109,9	111,0	111,8	110,7	110,2					

64

MODEL SOUND PRESSURE LEVELS (59, DEG; F, 70 PERCENT REL. HUM, DAY - JENOTS)

SPL INPUT AT STD REV: ALPHA 12/73	ANGLES FROM INLET IN DEGREES (AND RADIANS)																	PWL
	30,	40,	50,	60,	70,	80,	90,	100,	110,	120,	130,	140,	150,	160,	0,	0,	0,	
FREQ:	(0.52)	(0.70)	(0.87)	(1.05)	(1.22)	(1.40)	(1.57)	(1.75)	(1.92)	(2.09)	(2.27)	(2.44)	(2.62)	(2.79)	(0,	(0,	(0,	
NO EGA	50	67,3	66,3	66,1	64,9	65,2	64,8	65,6	66,3	67,6	69,6	73,8	76,6	75,9				110,9
RDG: NO. .01	63	69,6	67,3	67,6	67,2	67,5	68,4	68,5	69,4	69,9	73,1	75,1	77,4	80,2	80,3			114,3
RADIAL 40, FT.	80	69,6	68,4	69,0	68,9	68,8	68,7	70,8	71,3	72,6	75,1	78,0	80,4	82,8	84,1			116,9
(12, M)	100	71,4	70,9	71,1	69,9	69,9	71,4	74,7	75,8	77,0	78,9	80,6	84,8	88,0	88,2			121,1
VEHICLE JENOTS	125	74,2	71,7	71,7	72,2	71,7	74,4	77,4	77,9	79,4	81,9	83,7	87,1	90,0	90,5			123,4
CONFIG JE+059	160	80,6	74,9	74,4	74,6	75,1	77,4	80,1	79,9	82,9	84,1	85,4	88,6	90,6	91,1			124,9
LOC EVENDALE	200	77,0	76,5	74,8	75,3	76,0	77,5	79,3	80,3	82,8	86,3	86,8	90,4	92,5	94,8			126,7
DATE 05-07-75	250	79,3	78,3	78,0	78,0	78,0	79,0	80,0	82,0	87,8	87,3	89,0	91,0	94,9	94,9			128,3
RUN DBTF-MODEL 1	315	80,3	78,8	77,8	78,8	80,5	81,9	81,0	85,6	86,5	88,3	90,3	91,1	95,2	97,8			129,5
TAPE X10270	400	76,9	74,7	78,3	77,9	79,4	79,9	82,0	84,1	86,8	89,3	87,8	93,0	95,7	93,1			128,8
BAR 29,3 HG	500	76,6	77,6	78,8	77,8	79,2	80,1	81,9	83,4	85,4	86,4	88,2	93,1	94,1	91,6			127,8
(99043, N/M2)	630	76,6	77,9	78,9	77,9	79,4	79,8	82,1	83,6	85,9	86,4	89,7	91,8	92,4	91,3			127,4
TAMP 69, DEG F	800	76,7	80,1	79,1	79,8	80,5	80,5	82,6	85,1	85,8	88,3	90,0	91,0	90,2	90,2			127,2
(294, DEG K)	1000	77,8	83,9	79,8	79,2	80,0	81,4	83,2	84,1	86,1	88,1	89,4	89,7	87,8	85,4			126,4
TWET 55, DEG F	1250	77,0	78,7	79,9	79,5	81,0	81,7	84,7	84,9	85,7	88,1	89,3	90,5	86,2	83,2			126,5
(286, DEG K)	1600	76,8	80,5	80,4	80,7	82,1	83,5	84,5	85,0	85,6	87,3	88,8	88,7	85,9	82,2			126,2
HACT 0, G4/M3	2000	78,8	79,6	80,5	82,9	83,5	84,6	84,5	85,3	86,5	87,4	88,4	89,0	85,8	83,0			126,5
(1, KG/M3)	2500	78,6	81,3	83,0	81,7	83,1	84,2	85,4	86,4	87,0	89,1	89,7	89,4	86,1	83,7			127,4
FREQ, SHIFT	3150	78,8	81,7	82,8	84,0	84,3	85,1	86,0	87,4	87,8	90,1	90,9	90,9	88,3	85,6			128,5
JET 0	4000	80,0	83,3	84,1	85,3	85,8	87,3	89,0	91,0	92,1	95,0	94,7	94,4	91,5	89,6			132,3
DIAMETER RATIO	5000	81,2	84,8	86,3	86,8	88,1	89,7	90,4	91,9	93,0	96,2	96,4	96,4	94,9	92,6			134,1
DF/DM, 1.00	6300	81,7	86,0	86,6	87,8	89,3	90,3	90,5	92,7	94,3	96,9	97,2	97,5	95,7	94,2			135,2
	8000	82,3	85,7	87,5	88,3	90,0	90,2	90,5	92,6	94,4	96,2	96,9	97,8	95,7	93,1			135,5
OVERALL MEASURED	10000	80,6	85,2	87,0	87,7	89,6	89,9	90,7	92,5	93,5	95,8	95,7	95,9	95,1	94,3			135,0
OVERALL CALCULATED	12500	78,8	83,6	85,1	86,4	88,6	88,8	89,9	91,2	92,2	94,1	93,5	94,3	93,3	92,2			134,0
	16000	76,3	81,6	82,6	84,6	85,9	86,8	87,7	89,2	90,8	91,6	91,5	92,0	91,3	90,4			132,3
	20000	73,1	79,8	81,3	82,9	83,4	84,4	85,5	87,5	88,3	89,3	88,1	89,2	89,1	88,0			130,4
	25000	69,4	76,7	77,5	78,7	79,5	81,6	82,9	85,6	84,5	86,4	85,9	86,5	85,0	83,9			127,9
	31500	66,6	74,1	75,1	76,6	76,2	77,5	78,4	80,8	81,2	82,5	81,2	81,6	81,5	80,5			124,7
	40000	63,4	70,3	71,6	73,4	73,0	74,3	76,1	77,8	77,8	80,4	77,9	79,4	79,3	77,6			123,0
	50000	59,8	67,2	68,4	69,6	70,1	70,6	72,1	73,9	73,9	79,5	75,9	77,6	78,3	75,6			122,5
	63000	57,2	64,5	64,8	65,6	68,1	67,9	69,7	70,4	69,1	80,6	75,4	77,9	77,9	75,8			125,0
	80000																	
OVERALL MEASURED		92,7	95,8	96,5	97,4	98,7	99,5	100,8	102,1	103,5	105,6	106,8	106,8	106,8	105,9			144,8
OVERALL CALCULATED		104,4	106,9	107,9	108,5	109,6	110,8	111,8	113,4	114,7	117,1	117,7	118,3	117,2	115,5			
PND8																		

ORIGINAL PAGE IS
OF POOR QUALITY

SPL INPUT AT STD REV, ALPHA 12/73	FREQ	ANGLES FROM INLET IN DEGREES (AND RADIANS)																PWL	
		30	40	50	60	70	80	90	100	110	120	130	140	150	160	0	0		0
NO EGA	50	66.8	68.1	68.1	68.4	68.5	68.3	69.9	70.3	71.1	72.3	74.5	77.3	80.8	80.2				114.4
RDG, NO. 0	63	68.8	71.3	72.1	72.0	72.5	73.9	73.3	73.7	74.1	76.1	78.6	80.9	84.7	84.6				118.3
RADIAL 40 FT (12 M)	80	71.4	72.6	72.8	72.9	72.8	72.9	75.3	75.6	76.3	78.9	81.7	85.1	87.5	89.1				121.4
VEHICLE JENOTS CONFIG JE-059	100	74.6	74.9	75.1	74.6	74.4	75.6	79.2	79.8	81.2	82.6	84.6	89.0	92.8	92.9				125.5
LOC EVENDALE	125	76.9	76.2	75.7	76.4	75.4	79.2	82.4	82.2	83.9	86.2	87.4	91.3	94.0	95.5				127.7
DATE 05-07-75	160	82.1	79.6	78.9	79.1	79.4	82.1	84.1	84.6	86.8	88.6	89.6	93.1	95.3	97.3				129.3
RUN DBTF-MODEL 1	200	80.8	80.3	79.3	80.0	80.3	82.3	83.5	85.0	86.8	89.5	91.8	95.1	97.2	97.3				130.8
TAPE X10280	250	82.3	82.3	82.3	82.8	82.8	83.8	84.0	86.0	86.9	89.1	91.5	93.5	95.5	98.9				132.3
BAR 29.3 HG (99043 N/M2)	315	84.5	83.0	82.5	83.5	84.3	85.4	85.0	89.0	89.5	91.5	94.0	95.9	99.4	100.5				133.1
TAMB 67 DEG F (293 DEG K)	400	80.9	78.9	82.8	82.1	84.1	83.9	86.0	87.6	90.0	92.3	91.8	96.8	99.7	98.1				132.5
THET 94 DEG F (285 DEG K)	500	81.1	82.3	84.3	83.3	85.2	85.9	87.8	89.1	91.4	92.4	93.4	97.9	97.8	95.8				132.5
HACT 0 GM/M3 (KG/M3)	630	81.6	83.4	84.4	83.2	85.9	84.5	87.8	89.1	91.2	92.2	94.9	97.3	97.1	94.1				132.5
FREQ SHIFT JET	800	81.9	85.9	84.9	85.3	86.0	86.3	87.9	90.0	91.8	94.5	95.4	96.3	95.2	93.7				132.6
DIAMETER RATIO DF/DH 1.00	1000	83.8	86.4	86.0	84.9	85.8	87.4	89.2	90.3	92.4	94.6	96.0	95.2	93.6	90.7				132.5
	1250	83.5	84.4	85.6	85.8	86.7	87.4	90.4	91.4	91.7	94.4	96.6	96.5	92.9	89.2				132.8
	1600	83.3	86.7	86.4	86.7	88.1	89.0	90.3	91.2	91.6	94.2	95.8	95.5	92.4	88.7				132.9
	2000	85.1	85.3	86.0	88.7	89.5	89.9	90.5	92.1	93.2	95.6	95.7	95.5	93.1	90.0				133.3
	2500	84.0	86.8	88.5	88.2	88.8	89.9	91.4	92.6	94.3	97.1	96.0	95.9	93.1	90.0				134.0
	3150	84.6	87.1	88.8	89.7	90.3	91.1	92.5	93.9	94.6	98.4	96.9	96.4	94.3	91.4				135.1
	4000	83.9	87.2	88.5	90.3	90.6	92.3	93.6	94.7	96.3	99.4	98.3	97.5	95.0	92.2				136.2
	5000	85.2	88.3	89.6	90.8	92.0	93.3	94.8	96.8	98.6	101.7	99.7	99.9	97.5	95.3				138.2
	6300	87.0	89.3	91.0	92.1	93.9	95.4	95.6	98.1	99.5	102.7	101.6	101.4	99.8	98.1				139.8
	8000	88.0	90.5	91.5	92.8	94.3	95.1	96.2	98.9	100.8	103.7	102.9	103.2	101.9	100.9				141.2
	10000	89.3	90.7	92.0	94.1	95.5	95.9	96.5	98.8	101.7	103.7	103.4	103.8	102.1	102.1				142.0
	12500	88.6	91.9	93.0	94.0	94.6	95.6	96.2	98.5	101.0	102.3	102.5	102.9	102.4	101.8				141.6
	16000	87.3	91.6	93.3	93.4	94.0	94.5	95.4	97.7	98.2	100.3	99.5	101.3	100.3	100.1				140.3
	20000	85.8	91.6	93.0	93.1	93.6	93.1	93.7	95.2	96.1	98.1	97.5	98.5	97.3	97.1				138.7
	25000	83.0	89.7	91.0	92.1	92.8	92.0	92.0	93.3	93.8	95.6	94.3	95.4	94.8	93.7				137.1
	31500	78.4	85.2	87.2	88.2	88.7	90.3	90.4	90.6	90.7	92.7	91.6	92.2	92.2	89.6				134.6
	40000	75.3	81.8	83.3	85.1	85.6	85.7	86.6	86.8	87.4	88.4	87.1	88.6	88.5	87.0				131.6
	50000	71.8	78.5	80.8	82.1	82.2	82.8	83.6	84.2	84.3	85.9	84.2	86.4	85.5	84.3				129.8
	63000	68.7	76.7	77.3	78.3	79.1	79.1	80.6	81.4	81.1	83.0	81.1	83.0	83.4	81.8				128.7
	80000	66.4	73.7	74.5	75.5	76.8	77.4	78.7	78.9	77.8	80.8	78.1	80.9	81.6	78.3				129.3
OVERALL MEASURED																			
OVERALL CALCULATED		98.7	101.6	102.8	103.6	104.6	105.3	106.2	108.1	109.7	112.2	111.9	112.5	112.0	111.0				150.9
PNDB		109.8	111.8	113.0	114.0	115.2	116.4	117.4	119.2	120.9	123.7	123.2	124.6	125.0	120.8				

66

SPL INPUT AT STD REV: ALPHA 12/73	FREQ	ANGLES FROM INLET IN DEGREES (AND RADIANS)																PWL	
		30, (0.52)	40, (0.70)	50, (0.87)	60, (1.05)	70, (1.22)	80, (1.40)	90, (1.57)	100, (1.75)	110, (1.92)	120, (2.09)	130, (2.27)	140, (2.44)	150, (2.62)	160, (2.79)	0, (0)	90, (0)		180, (0)
NO EGA	50	68,3	68,3	67,6	67,7	67,7	67,8	70,1	72,3	74,4	75,1	76,3	78,3	81,1	81,7				115,6
RDG: NO. 0	63	71,6	69,1	69,4	69,5	70,5	71,4	72,5	74,4	74,9	77,3	78,6	80,9	84,2	84,6				118,1
RADIAL 40 FT, (12. M)	80	72,9	71,9	72,3	72,1	72,3	72,7	74,6	76,1	77,8	79,1	81,2	84,9	88,9	88,9				121,1
VEHICLE JENOTS	100	76,6	75,4	75,4	74,1	73,9	75,9	78,7	80,1	81,2	83,1	84,9	89,3	93,3	93,2				125,8
CONFIG JE-059	125	78,4	76,7	76,4	77,2	76,4	78,2	80,9	81,9	82,9	85,7	87,4	91,6	94,8	96,3				128,1
LOC EVEVALE	160	84,6	80,1	79,6	80,1	79,6	81,6	83,6	84,1	86,6	87,9	89,9	93,1	96,1	97,6				129,9
DATE 05-07-75	200	83,3	82,8	80,5	80,3	80,8	81,3	83,3	83,5	86,0	87,0	89,3	92,1	96,1	99,5	101,3			132,6
RUN DBTF-MODEL 1	250	84,8	83,3	82,5	83,0	82,5	84,5	85,2	84,5	89,3	90,5	94,0	98,0	100,4	103,2	103,9			133,8
TAPE X10290	315	85,5	83,3	82,3	83,8	84,8	85,2	84,5	89,3	90,5	94,0	98,0	100,4	103,2	103,9				138,2
BAR 29.3 HG (99009, N/M2)	400	82,4	82,2	84,8	83,4	84,1	84,7	87,0	89,3	92,0	95,6	96,8	103,3	105,4	105,3				138,1
TAMB 69, DEG F (294, DEG K)	500	85,6	85,6	85,8	83,8	84,4	85,9	87,9	89,7	91,4	93,4	96,2	104,4	107,1	104,3				138,7
THET 55, DEG F (286, DEG K)	630	87,8	86,2	85,9	84,7	85,4	85,9	88,1	90,1	92,3	93,7	98,9	104,3	106,1	106,3				139,0
HACT 0, G/M3 (, KG/M3)	800	86,7	88,4	86,4	86,5	86,5	88,6	88,6	91,1	92,5	96,3	99,4	104,3	104,2	103,9				138,3
FREQ, SHIFT	1000	87,3	88,1	86,0	84,9	86,0	87,2	89,4	90,6	92,9	96,1	98,4	101,2	101,8	101,7				136,4
JET 0	1250	85,0	85,4	85,6	85,5	86,2	87,2	90,2	91,2	92,4	96,1	99,6	101,7	100,4	97,7				136,1
DIAMETER RATIO DF/DM 1:00	1600	83,8	86,0	84,9	85,2	86,3	87,7	89,3	91,0	91,8	94,8	98,3	99,5	97,1	94,7				134,4
	2000	84,6	84,1	83,8	86,2	87,0	87,6	88,5	90,1	92,0	94,1	97,4	98,0	94,1	91,8				133,4
	2500	83,3	84,3	83,3	84,7	85,6	86,4	88,2	89,9	91,5	93,6	95,0	96,2	91,4	89,0				132,0
	3150	81,8	83,9	84,8	85,7	86,3	86,8	88,0	89,9	91,1	93,4	94,4	93,9	90,8	87,6				131,4
	4000	80,9	83,9	84,5	85,8	86,4	87,3	88,4	90,4	91,3	93,1	93,8	93,0	89,5	86,5				131,2
	5000	81,5	84,5	84,6	85,6	86,3	88,3	89,0	91,0	92,8	94,7	95,0	94,1	91,0	88,8				132,4
	6300	81,7	85,6	85,5	87,3	87,9	89,2	89,7	91,6	92,8	95,7	95,6	95,2	93,1	91,6				133,4
	8000	81,7	86,5	87,1	87,5	88,8	90,3	90,5	92,4	93,5	95,4	96,2	96,2	93,9	94,4				134,4
	10000	81,5	86,2	87,0	88,3	89,5	90,2	89,8	92,3	93,9	94,7	94,9	95,5	93,5	94,3				134,3
	12500	79,9	85,2	86,0	87,5	88,9	89,2	90,2	91,5	92,7	95,3	94,5	94,4	92,9	92,8				134,1
	16000	77,8	82,8	84,1	85,4	87,8	88,3	88,7	90,7	91,5	92,9	92,3	92,8	91,3	90,7				132,8
	20000	74,8	80,6	81,6	83,1	84,6	85,8	86,2	88,0	89,6	90,6	90,3	89,5	88,6	88,6				130,8
	25000	71,6	78,5	79,3	80,9	81,4	83,1	83,8	86,0	87,0	87,8	86,8	87,2	86,1	85,0				128,7
	31500	67,7	74,5	75,0	77,0	77,8	79,8	81,2	83,1	83,7	85,2	83,6	83,7	83,0	81,7				126,1
	40000	64,9	71,3	72,3	74,1	74,4	75,2	76,9	79,1	79,9	81,5	78,7	79,3	78,8	78,0				122,8
	50000	62,9	68,3	69,1	70,4	70,5	72,1	73,8	75,3	75,5	78,9	76,2	77,9	77,5	75,4				121,0
	63000	64,0	65,7	65,9	67,1	67,9	68,4	70,1	71,9	71,9	79,5	74,6	77,1	77,3	74,8				121,3
	80000	64,9	64,0	64,1	64,8	67,3	66,7	69,0	69,4	67,1	81,1	75,1	78,1	78,1	75,3				123,1
OVERALL MEASURED		97,5	98,6	98,4	99,0	99,9	100,9	101,9	103,8	105,5	107,8	109,9	112,9	114,4	114,7				148,9
OVERALL CALCULATED		108,5	109,8	110,1	110,7	111,4	112,3	113,5	115,5	117,1	119,2	120,8	122,5	122,6	122,2				

ORIGINAL PAGE IS
OF POOR QUALITY

SPL INPUT AT STD REV: ALPHA 12/73	ANGLES FROM INLET IN DEGREES (AND RADIAN)																PWL
	30,	40,	50,	60,	70,	80,	90,	100,	110,	120,	130,	140,	150,	160,	170,	180,	
FREQ:	(0.52)	(0.70)	(0.87)	(1.05)	(1.22)	(1.40)	(1.57)	(1.75)	(1.92)	(2.09)	(2.27)	(2.44)	(2.62)	(2.79)	(2.96)	(3.14)	
NO EGA	50	74,3	61,3	61,4	61,2	73,7	74,3	76,1	75,0	76,4	76,3	79,0	81,8	85,1	85,9		119,1
RDG. NO.	63	78,8	63,6	63,9	64,0	75,5	76,6	77,8	78,2	78,9	79,8	82,8	85,4	89,2	89,8		122,6
RADIAL 40, FT.	80	78,9	65,9	66,3	66,6	76,8	77,4	79,8	79,6	80,6	82,4	85,5	88,9	91,8	94,1		125,6
(12, M)	100	80,4	69,1	69,6	68,1	78,6	80,1	82,9	84,1	85,3	86,6	89,6	94,0	98,3	97,9		130,4
VEHICLE JENOTS	125	86,2	70,7	70,2	70,9	80,7	83,4	86,1	83,9	87,4	89,9	92,4	96,3	99,8	101,0		132,8
CONFIG JE-059	160	93,1	74,1	73,4	74,1	84,1	85,6	88,3	88,6	91,1	92,4	94,1	97,6	100,8	102,3		134,5
LOC EVENDALE	200	88,0	75,8	73,5	74,3	84,5	86,3	88,0	88,5	90,3	93,3	97,1	100,4	103,5	106,8		137,2
DATE 05-07-73	250	89,3	77,8	76,0	76,8	86,8	87,0	87,8	89,5	91,5	95,8	99,8	103,5	106,7	106,1		139,2
RUN DSTF-MODEL 1	313	89,5	77,3	76,3	77,5	88,3	89,2	88,5	92,3	93,5	97,0	101,3	104,4	108,9	110,8		141,6
TAPB X10300	400	86,9	74,9	78,0	76,6	87,9	88,4	90,5	92,8	94,5	98,6	99,5	106,8	110,2	103,1		141,8
BAR 29.3 HG	500	89,3	78,1	78,8	77,5	88,7	89,6	91,4	93,9	95,7	97,4	99,9	107,1	109,6	106,5		141,5
(99043, N/M2)	630	89,3	78,7	79,4	77,4	88,9	89,0	91,8	93,6	96,2	98,2	102,4	106,8	109,9	103,3		142,0
TAMB 69, DEG F	800	88,2	80,7	79,1	79,3	90,3	90,4	92,1	94,9	97,0	100,8	103,0	105,8	105,9	106,9		140,8
(294, DEG K)	1000	88,8	83,6	79,5	79,2	89,8	90,4	93,2	94,8	97,1	100,6	102,2	103,7	103,4	101,7		139,1
TWET 55, DEG F	1250	87,7	78,4	79,1	79,3	90,5	90,9	94,2	94,9	96,7	99,9	102,6	104,0	100,4	98,2		138,6
(286, DEG K)	1600	86,8	79,7	78,9	79,7	90,6	91,7	93,8	95,0	96,6	99,7	101,6	101,5	98,4	95,5		137,5
HACT 0, G4/M3	2000	87,6	78,6	78,3	81,1	91,2	92,4	93,3	94,8	96,5	99,1	100,2	100,3	97,1	94,3		136,7
(, KG/M3)	2500	87,3	79,0	79,7	79,7	90,6	92,2	93,4	94,9	97,0	99,3	99,7	98,9	95,4	93,0		136,4
FREQ. SHIFT	3150	87,3	79,6	80,3	81,2	92,1	93,3	94,0	95,6	96,8	99,6	99,9	98,9	96,6	93,6		136,8
JET 0	4000	86,1	79,2	79,9	81,5	92,1	93,5	95,1	96,4	97,8	100,4	99,5	99,0	96,5	94,0		137,3
DIAMETER RATIO	5000	87,7	80,0	80,6	82,1	92,8	94,6	96,0	98,3	99,6	102,5	100,7	100,6	98,7	96,3		139,0
DF/DM 1:00	6300	88,7	80,8	82,0	83,3	94,1	95,7	96,9	98,8	100,8	103,1	102,3	102,2	100,8	99,6		140,4
	8000	89,7	81,7	83,0	83,7	95,0	96,3	97,4	99,6	101,7	104,4	103,9	103,9	102,9	101,9		142,0
	10000	91,2	82,9	83,4	85,0	98,9	96,6	97,5	100,5	102,6	105,1	104,4	105,2	104,4	103,5		143,2
	12500	90,6	84,4	84,7	84,9	95,6	96,6	97,4	99,4	101,1	102,7	102,4	103,8	103,5	102,4		142,1
	16000	89,7	85,0	85,5	85,0	95,7	95,5	96,1	98,1	99,6	100,8	100,2	101,7	101,2	100,6		140,8
	20000	88,0	84,3	84,7	85,0	95,3	94,5	94,6	95,6	97,0	98,3	97,7	99,4	98,0	97,0		139,0
	25000	84,7	80,9	81,7	83,3	93,5	93,8	92,7	94,0	94,7	95,5	94,5	96,4	95,5	93,9		137,2
	31500	81,8	76,1	77,4	78,9	88,9	91,0	90,6	91,8	91,4	92,6	92,0	93,1	92,9	90,6		134,8
	40000	76,8	73,0	74,3	75,6	85,6	86,4	86,9	87,5	88,1	88,7	88,1	89,3	89,5	88,0		131,8
	50000	72,3	70,0	71,5	72,6	82,5	82,8	83,8	84,7	84,8	86,2	85,2	87,6	88,2	86,1		130,2
	63000	75,8	67,0	68,1	69,4	79,7	79,7	80,6	82,0	81,9	84,6	84,4	86,3	88,0	85,1		130,4
	80000	71,7	65,2	65,1	65,8	77,8	77,9	79,5	79,7	78,4	84,1	85,2	86,4	87,9	85,1		132,8
OVERALL MEASURED																	
OVERALL CALCULATED		102,7	94,9	94,7	95,3	106,0	106,8	108,0	109,9	111,6	114,1	114,7	117,0	118,3	117,8		153,8
PND8		113,4	104,7	105,0	105,9	116,6	117,9	119,4	121,3	123,0	125,7	126,0	127,0	126,8	125,9		

89

130

SPL INPUT AT STD REV, ALPHA 12(7)	ANGLES FROM INLET IN DEGREES (AND RADIAN)																PHL
	30,	40,	50,	60,	70,	80,	90,	100,	110,	120,	130,	140,	150,	160,	170,	180,	
NO EGA	74,1	74,6	74,9	74,4	74,2	74,3	75,6	76,8	77,9	79,6	82,3	85,3	88,8	93,7			123,5
RDG, NO, 0,	76,8	77,1	77,6	77,7	78,0	78,4	79,5	80,2	80,9	84,1	86,1	89,4	92,7	95,6			126,7
RADIAL 40, FT,	79,4	80,6	81,0	80,6	80,0	80,4	82,1	82,3	83,6	85,9	89,5	93,4	96,5	98,9			130,0
(12, 4)	84,1	83,6	84,4	83,4	83,1	84,4	86,7	87,6	89,0	90,9	93,1	98,3	102,0	102,4			134,6
VEHICLE JENOTS	86,7	85,9	85,7	85,9	84,9	87,4	90,1	90,2	91,2	94,2	96,7	100,8	103,8	105,5			137,1
CONFIG JE=059	92,6	88,6	88,6	88,6	88,4	90,1	92,3	92,4	95,4	97,1	98,1	102,1	104,8	106,8			138,8
LCC EVENDALE	91,5	90,5	88,8	88,8	88,5	90,5	91,8	92,8	94,8	97,5	101,8	106,1	108,7	112,0			142,4
DATE 05-07-75	92,8	92,0	90,8	90,5	90,5	91,3	92,0	93,3	99,0	99,8	103,8	108,0	111,4	108,9			143,4
RUN DBTF=MODEL 1	93,5	91,3	90,3	91,8	92,5	93,4	92,5	96,3	97,0	100,8	105,5	108,9	113,4	113,5			145,5
TARE X10310	90,9	88,9	91,3	91,1	92,1	93,4	94,8	96,6	99,3	102,8	104,0	110,0	115,9	111,3			145,5
BAR 29,4 HQ	93,6	93,1	93,3	92,3	93,2	94,1	96,4	98,2	100,2	101,9	104,7	111,4	113,3	111,1			145,7
(99144, N/42)	95,1	94,2	94,7	92,4	93,9	93,8	96,6	98,6	101,2	102,7	106,9	110,6	114,6	113,6			146,7
TAMB 67, DEG F	94,4	95,9	94,1	94,5	95,5	95,8	97,9	100,1	101,8	105,3	107,2	109,5	110,4	112,4			145,4
(293, DEG K)	95,6	98,8	94,3	94,1	94,8	96,2	97,9	99,8	102,6	106,1	107,2	106,9	107,6	107,9			144,0
WET 56, DEG F	94,0	93,9	94,1	94,5	95,5	96,7	100,2	100,4	101,9	105,8	107,6	107,5	105,2	104,7			143,6
(284, DEG K)	92,0	95,0	94,1	95,0	96,3	97,2	98,8	100,5	102,7	105,2	106,3	105,5	104,9	103,0			142,8
WACT 0, GM/M3	93,8	93,6	93,3	95,9	97,0	97,8	98,8	100,8	102,7	104,9	105,8	105,7	104,1	102,3			142,8
(1, KG/M3)	92,8	94,0	94,5	94,4	95,6	97,6	99,2	100,4	103,3	105,1	105,2	104,7	102,9	101,7			142,5
FREQ, SHFT	93,0	94,4	95,0	96,4	96,8	98,3	99,5	100,6	103,8	105,6	105,6	104,8	103,8	102,1			143,0
WET 0	92,6	93,6	94,4	95,5	97,3	98,7	100,0	101,9	104,5	105,6	105,7	104,7	103,7	101,9			143,3
DIAHETER RATIO	93,2	94,2	94,5	96,3	97,7	99,3	100,9	103,4	105,5	106,9	106,4	106,3	104,7	102,5			144,5
BF/DH - 1,00	93,4	95,4	95,4	97,2	98,8	100,3	101,0	103,5	105,9	106,8	106,2	107,1	106,2	103,0			145,0
	93,3	96,4	96,6	98,1	99,1	100,4	101,6	104,0	106,1	107,5	107,0	107,3	105,2	103,5			145,6
	93,5	98,0	98,5	98,3	100,0	100,4	101,5	104,1	105,7	106,9	106,7	106,8	104,2	101,6			145,6
	93,8	100,1	100,7	99,7	100,1	100,3	101,9	103,2	104,7	105,8	105,2	104,6	102,6	101,0			145,2
	92,2	98,5	100,0	100,5	101,7	100,9	100,6	102,1	102,6	103,0	102,9	102,9	100,4	98,9			144,5
	88,7	94,7	96,2	98,0	99,7	99,7	98,8	99,8	100,9	101,2	100,6	100,6	97,9	96,0			142,6
	84,9	92,1	93,4	94,5	95,5	97,0	96,6	97,1	98,1	98,7	96,9	97,8	95,9	92,9			140,2
	80,5	88,8	89,6	91,3	91,6	93,4	94,0	94,5	94,6	95,8	95,0	94,8	92,9	89,3			137,7
	78,3	85,5	87,0	88,0	88,9	89,2	89,6	90,5	91,6	92,9	90,9	91,5	89,5	87,0			135,0
	74,4	82,3	83,6	85,4	85,0	86,1	86,4	88,0	88,1	91,9	88,9	89,9	89,0	85,6			133,0
	71,7	79,4	80,8	82,2	82,0	82,5	83,3	85,3	85,3	85,8	91,4	87,3	89,2	85,2			134,1
	69,6	76,2	77,5	78,0	79,3	79,6	80,9	82,4	82,3	93,1	86,4	89,9	89,1	86,3			136,9
OVERALL MEASURED																	
OVERALL CALCULATED	106,8	108,9	109,0	109,6	110,7	111,5	112,6	114,4	116,4	118,2	119,0	120,8	122,4	121,8			158,0
PNDB	118,4	119,5	119,8	120,6	121,5	122,8	124,2	126,3	128,5	130,5	130,9	131,6	131,6	130,6			

ORIGINAL PAGE IS
OF POOR QUALITY

69

13

SPL INPUT AT STD REV, ALPHA 12(73)	ANGLES FROM INLET IN DEGREES (AND RADIANS)																		PWL
	30	40	50	60	70	80	90	100	110	120	130	140	150	160	0	0	0		
NO BGA	30	35.3	35.6	66.6	66.4	67.0	68.1	69.4	70.5	71.4	74.8	73.5	73.0	74.8	75.4			112.2	
BCG, NO. 0	43	36.6	36.8	66.9	68.2	68.5	69.6	70.8	71.4	72.6	78.1	74.8	75.6	78.2	79.3			114.5	
BADIAL 40, FT.	80	37.1	37.4	68.5	69.4	70.0	70.9	71.1	72.1	73.8	80.1	76.5	78.1	80.8	83.4			116.7	
(12. M)	100	39.4	39.6	70.6	70.6	71.1	72.6	74.7	76.3	77.2	83.3	80.1	83.3	86.0	87.2			120.6	
VEHICLE JENOTS	125	72.4	70.7	71.2	72.4	72.4	75.2	77.4	77.4	79.4	86.7	83.2	86.1	89.3	91.3			123.8	
CONFIG JE=05?	190	76.9	74.4	73.9	75.4	75.4	77.6	79.6	79.6	82.6	90.4	84.9	87.1	90.6	91.8			125.8	
LOC EVENDALE	200	76.8	76.8	75.8	76.0	76.5	78.3	78.8	80.8	81.8	86.3	85.3	88.1	91.2	94.5			125.9	
DATE 05-07-75	250	78.8	78.3	77.8	78.3	78.5	79.3	79.3	80.8	81.8	86.8	85.8	87.3	88.5	92.4			127.0	
BUN DBTF=MODEL 1	315	80.0	78.5	78.0	79.0	80.3	81.4	80.0	83.8	84.5	86.8	88.0	88.6	92.7	97.3			127.8	
TYPE X10320	400	76.1	74.2	78.3	77.9	79.4	79.2	80.5	82.3	84.0	86.1	84.5	90.8	93.2	93.1			126.7	
BAR 29.4 HG	500	76.3	77.8	79.8	78.0	78.9	80.4	81.4	82.9	84.4	85.4	87.7	92.9	93.1	93.1			127.5	
(99245; N/42)	630	77.1	78.9	79.7	78.7	80.2	80.0	82.6	83.6	85.2	84.7	87.7	91.1	92.4	93.8			127.2	
TANB 61; DEG F	800	78.7	81.6	79.9	80.5	81.3	80.8	82.6	84.6	85.3	88.0	89.4	91.0	90.9	92.7			127.4	
(289; DEG K)	1000	79.3	83.1	80.5	80.4	80.8	82.2	83.4	84.1	85.6	87.6	88.7	90.2	90.1	87.9			126.7	
THRT 52; DEG F	1250	79.2	80.2	80.6	80.0	81.2	82.2	84.4	84.4	84.9	86.9	88.8	90.5	88.7	85.7			126.4	
(284; DEG K)	1600	78.5	81.7	81.4	81.5	83.1	83.0	83.5	85.0	85.3	87.0	88.6	89.4	88.6	83.9			126.3	
HACT 0; GM/H3	2000	80.6	80.6	80.8	82.9	83.7	83.8	84.0	85.1	85.5	86.4	88.1	89.2	86.1	84.0			126.3	
(; KG/H3)	2500	80.0	81.8	83.0	82.4	82.8	83.4	84.2	85.9	86.5	86.8	88.5	89.2	86.4	84.2			126.6	
FREQ, SHIPT	3150	79.3	82.4	83.2	84.7	84.6	85.0	85.0	86.6	87.3	88.3	89.6	90.3	87.8	86.3			127.8	
JET 0	4000	78.9	82.6	83.2	84.3	84.3	85.5	85.6	87.4	88.5	89.8	91.0	90.7	88.5	86.4			128.7	
DIAMETER RATIO	5000	79.7	83.9	83.8	84.3	84.7	86.5	87.2	89.2	90.0	91.7	93.1	92.3	90.2	89.0			130.4	
DF/DM 1.00	6300	79.9	84.7	85.7	86.5	87.0	88.4	87.8	89.3	91.0	92.6	94.3	93.4	92.3	91.0			131.8	
	8000	80.4	85.2	86.4	86.4	87.6	89.0	88.1	90.3	91.4	93.5	94.3	94.6	92.8	93.0			132.6	
	10000	80.1	85.6	86.6	87.4	87.6	88.5	88.1	90.4	91.5	93.5	94.5	93.8	92.5	92.9			132.9	
	12500	78.4	84.9	85.8	86.0	87.2	88.2	88.2	89.8	90.7	92.4	93.2	92.7	91.1	91.3			132.2	
	16000	76.2	83.3	83.6	84.6	86.0	87.3	87.4	88.6	89.4	91.1	91.5	91.0	89.0	89.4			131.2	
	20000	72.8	81.6	82.0	82.8	83.6	84.3	84.9	86.7	87.8	89.0	88.7	88.7	87.3	86.8			129.4	
	25000	70.2	79.2	79.9	80.8	80.6	82.5	82.7	84.5	85.5	86.8	85.5	85.6	84.5	83.2			127.4	
	31500	66.1	76.1	76.4	77.6	77.4	79.8	79.6	81.5	82.2	83.9	82.5	82.6	81.4	79.3			124.9	
	40000	63.6	73.3	73.8	74.3	74.6	75.4	75.9	77.5	78.4	79.2	77.9	77.3	77.0	76.0			121.6	
	50000	59.3	69.3	70.6	71.1	71.0	72.3	72.8	74.3	75.0	76.2	74.2	74.4	74.0	72.1			119.4	
	63000	57.1	64.3	67.4	67.6	69.4	68.9	70.2	71.7	71.2	74.1	70.2	71.6	70.6	68.9			118.3	
	80000	55.5	58.9	64.9	64.9	68.4	67.5	68.6	69.5	67.4	73.9	67.5	70.0	69.0	66.7			119.7	
OVERALL MEASURED																			
OVERALL CALCULATED		92.3	95.7	96.2	96.7	97.4	98.4	98.6	100.4	101.7	103.3	104.1	104.7	104.6	105.5			142.9	
PNWB		104.4	107.2	107.8	108.4	109.0	110.0	110.2	112.1	113.0	114.8	116.0	116.3	115.6	115.2				

70

SPL INPUT AT STD BEV, ALPHA 12(73)	FREQ	ANGLES FROM INLET IN DEGREES (AND RADIANS)																PWL
		30	40	50	60	70	80	90	100	110	120	130	140	150	160	170	180	
NO EGA	20	76.6	72.8	70.9	69.9	69.2	70.1	71.9	72.8	74.9	75.6	76.3	75.0	76.1	77.9		115.1	
RDG, NO, 0	30	78.1	74.1	72.8	72.6	72.0	71.6	73.5	74.7	75.4	77.1	78.3	77.6	78.7	80.7		117.0	
BADIAL 40, FT	100	77.1	74.4	74.4	73.6	72.9	73.1	77.4	78.8	81.0	81.6	82.6	85.8	89.3	90.2		119.0	
VEHICLE JENOTS	125	79.9	74.9	74.9	75.7	74.9	77.2	80.6	80.9	81.9	84.2	85.7	88.6	92.5	93.5		123.0	
CONFIG JE#02?	180	81.1	77.4	76.6	77.6	77.6	79.9	82.6	82.1	84.9	86.6	87.4	89.6	92.8	94.6		125.9	
DOC EVENDALB	200	83.8	79.3	77.8	78.5	78.5	80.5	81.5	82.5	84.3	86.8	87.8	90.4	95.7	97.3		127.7	
DATE 05-07-75	220	81.3	80.8	80.3	80.5	81.0	81.5	81.0	83.3	88.5	87.5	89.3	90.3	94.2	96.6		128.8	
BUN DBTE=MODRL	315	82.5	80.5	80.0	81.8	83.3	83.7	82.3	85.8	85.5	87.3	89.5	90.6	94.9	99.3		129.8	
TAPE X10330	400	79.1	77.2	81.3	80.1	81.6	82.2	83.3	84.8	86.8	88.6	86.8	93.3	95.9	94.6		129.1	
BAR 29.4 HG	500	79.1	80.3	81.8	80.5	81.9	82.6	84.2	85.7	87.4	88.4	90.2	95.1	96.1	95.3		130.1	
99240 N/M3	630	80.9	81.7	82.7	81.4	83.2	83.0	85.1	86.6	88.2	87.9	90.4	93.6	94.1	95.3		129.6	
TAMB 61 DEG F	800	82.3	83.4	83.8	83.3	83.8	83.8	84.6	87.1	88.3	90.8	92.2	93.5	92.9	94.4		129.9	
(289 DEG K)	1000	81.7	82.7	83.6	83.5	84.5	85.4	87.4	87.1	88.4	90.3	92.2	93.2	92.1	89.9		129.5	
THET 52 DEG F	1220	81.0	83.9	84.1	84.5	85.1	86.2	87.0	88.0	89.0	90.5	92.1	92.4	89.6	87.2		129.6	
(284 DEG K)	2000	82.8	83.1	84.0	86.1	87.2	87.3	87.3	88.3	89.0	89.9	92.1	92.5	89.6	87.8		129.4	
WACT 9 GM/M3	2500	82.8	85.0	86.7	86.7	86.6	87.4	89.9	90.1	90.0	91.6	93.2	93.2	90.6	88.0		130.7	
F1 KG/M3	3120	83.3	85.4	87.5	87.9	88.6	88.8	89.2	90.6	90.8	92.6	94.6	94.3	92.0	90.1		132.0	
FREQ, SHIPT	4000	82.6	85.9	87.4	88.0	88.6	89.5	90.3	91.9	92.7	94.3	95.5	95.0	92.5	90.4		133.0	
JET	5000	83.2	86.9	88.0	88.8	89.5	90.5	91.5	93.5	94.3	96.4	96.6	96.8	94.4	92.8		134.6	
DIAMETER RATIO	6300	84.2	88.0	89.2	90.0	91.3	92.1	92.3	94.3	95.2	97.1	98.3	98.4	96.3	96.0		136.0	
DF/DH -1+00	8000	85.1	89.2	90.4	90.9	92.4	93.2	92.6	95.1	96.1	98.0	99.3	99.1	98.0	98.0		137.3	
	10000	87.1	91.8	95.1	95.1	95.8	97.0	94.1	97.1	98.7	99.5	99.7	100.1	98.8	99.9		139.5	
	12500	85.4	92.7	92.8	92.3	93.2	92.9	92.4	94.6	95.7	97.4	98.0	98.4	98.1	98.5		137.7	
	16000	85.5	94.6	94.1	93.4	93.8	93.3	92.7	93.4	94.2	95.8	96.5	96.5	96.5	97.4		137.4	
	20000	84.3	94.3	94.3	94.1	94.1	93.5	91.9	92.4	93.0	93.5	93.7	94.4	94.3	94.8		136.8	
	25000	81.0	90.4	91.4	92.5	92.5	92.5	91.2	91.2	90.5	90.8	90.2	91.1	91.0	90.9		135.1	
	31500	76.3	85.6	86.4	87.6	87.9	88.0	89.5	87.9	88.9	88.9	87.0	87.9	87.9	87.1		132.6	
	40000	72.6	82.5	83.0	84.3	83.9	84.7	84.9	86.0	85.1	84.9	83.4	84.0	83.7	84.3		129.4	
	50000	69.1	77.8	79.6	80.4	79.5	81.1	81.1	82.0	81.3	82.7	80.4	81.1	81.2	80.8		126.9	
	63000	66.6	73.8	74.9	76.1	75.9	77.2	76.9	78.0	77.7	81.9	77.7	79.4	79.6	78.6		125.9	
	80000	65.5	68.6	69.9	70.4	71.2	72.3	72.1	74.0	72.7	82.2	76.5	79.5	79.0	76.2		126.9	
OVERALL MEASURED		78.0	101.9	102.7	102.9	103.5	103.9	103.4	105.0	106.0	107.4	108.3	108.9	108.6	109.2		147.8	
OVERALL CALCULATED		108.8	110.3	111.6	112.0	113.0	113.8	114.2	116.0	117.0	118.7	119.9	120.4	119.3	119.0			

ORIGINAL PAGE IS OF POOR QUALITY

SPL INPUT AT STD REV, ALPHA 12/73	FREQ.	SOUND PRESSURE LEVELS (59, DEG F, 70 PERCENT REL. HUM, DAY = JENOTS)																PWL	
		ANGLES FROM INLET IN DEGREES (AND RADIANS)																	
		30	40	50	60	70	80	90	100	110	120	130	140	150	160	0	90	180	
NO EGA	50	66,8	68,1	69,9	68,9	68,5	68,6	69,9	71,3	71,9	73,3	75,0	77,5	81,6	82,2				115,2
RDG, NO.	63	69,6	71,8	71,9	72,0	72,3	73,1	74,0	74,4	75,4	76,6	78,3	81,6	85,0	86,1				118,9
RADIAL 40, FT.	80	71,6	72,6	73,3	73,4	73,3	73,9	75,3	76,1	77,1	78,4	81,5	85,1	88,0	90,4				121,9
(12, M)	100	75,6	75,6	76,1	75,6	75,4	76,9	79,9	81,3	82,2	83,4	85,1	89,8	93,8	94,4				126,6
VEHICLE JENOTS	125	77,4	76,7	76,7	77,9	77,2	79,9	82,9	83,7	84,7	86,7	88,4	92,1	95,8	97,3				129,0
CONFIG JE-059	160	82,4	80,1	79,4	80,1	80,1	82,9	85,6	85,4	88,1	89,4	90,6	93,9	96,8	98,1				130,7
LCC EVENDALE	200	81,5	81,5	80,0	81,0	81,0	83,5	84,5	86,0	87,6	90,3	91,3	94,6	97,7	99,3				131,6
DATE 05-07-75	250	83,3	83,3	83,3	83,3	83,8	84,5	85,8	86,3	87,5	89,0	92,8	95,3	99,2	99,1				132,5
RUN DSTF-MODEL 1	315	84,8	83,8	83,3	85,0	85,8	86,7	88,8	89,0	89,0	91,0	94,3	95,6	99,2	102,0				133,5
TAPE X10340	400	82,1	80,4	84,0	83,4	85,1	85,2	86,8	88,6	89,5	90,5	93,1	92,3	98,3	100,4				133,4
BAR 29,3 HG	500	82,8	83,8	85,8	85,0	85,4	86,9	88,9	89,7	91,7	92,9	94,7	100,1	100,1	96,8				134,2
(99043, N/M2)	630	83,8	86,2	86,9	85,4	86,7	86,8	89,3	90,0	92,4	93,2	96,4	99,3	99,1	96,8				134,3
TAMB 64, DEG F	800	84,2	88,4	86,6	87,3	87,8	87,8	89,6	92,1	93,8	96,3	97,2	98,8	97,4	96,9				134,7
(29, DEG K)	1000	86,1	88,1	87,3	87,4	87,5	89,2	90,9	92,3	93,6	96,3	97,9	97,9	95,6	93,7				134,5
TWET 53, DEG F	1250	86,0	86,9	87,6	87,8	88,2	89,4	92,6	92,9	93,7	96,4	99,1	99,2	95,2	92,4				135,1
(285, DEG K)	1600	85,3	88,5	88,1	88,5	89,3	90,9	92,0	93,2	94,6	97,0	98,1	97,7	95,4	91,7				134,9
HACT 0, G4/M3	2000	86,8	87,6	87,5	89,6	90,7	91,4	92,0	94,1	95,8	97,4	98,4	98,0	95,8	92,8				135,3
(, KG/M3)	2500	86,5	89,0	89,3	89,2	89,6	89,6	91,4	92,7	94,1	96,8	98,8	98,2	95,6	93,0				135,8
FREQ. SHIFT	3150	86,0	88,9	90,0	90,9	91,3	92,3	93,3	95,4	96,5	100,3	98,9	98,9	96,0	93,9				136,8
JET 0	4000	85,9	89,2	89,9	90,8	91,9	93,0	94,3	95,9	97,0	101,1	99,3	99,0	97,0	94,7				137,5
DIAMETER RATIO	5000	86,7	89,5	90,3	91,6	92,2	94,0	95,5	97,7	99,5	103,2	101,4	101,0	99,0	96,8				139,4
DF/DM 1,00	6300	88,4	91,5	91,5	93,1	93,8	95,2	96,1	98,6	100,5	103,6	102,1	102,6	101,8	100,3				140,7
	8000	88,9	92,7	93,5	94,0	95,0	96,3	96,9	99,1	100,9	104,3	103,9	104,4	102,8	102,8				142,1
	10000	91,4	96,1	95,9	95,5	95,7	96,1	96,9	99,0	101,3	103,8	104,1	105,2	103,9	104,2				142,9
	12000	92,3	98,3	98,7	97,4	97,5	96,8	96,8	98,7	99,9	102,4	102,6	104,1	103,3	103,6				142,6
	16000	91,4	98,7	98,7	98,7	99,4	97,9	96,8	97,8	98,8	100,2	100,1	102,2	101,9	101,3				142,1
	20000	88,4	95,7	96,6	98,2	98,5	97,4	96,0	96,1	96,9	97,9	97,6	98,8	98,4	95,2				140,6
	25000	84,6	92,1	92,6	94,2	94,9	96,2	95,3	95,1	94,6	95,7	94,6	96,8	96,1	94,8				138,7
	31500	80,7	88,0	89,3	90,3	90,3	92,1	92,7	93,7	94,7	93,0	92,2	93,8	93,6	91,2				136,2
	40000	77,2	84,9	86,4	87,7	87,7	88,0	88,0	88,7	88,3	89,3	87,5	89,7	89,9	88,4				133,1
	50000	73,7	81,9	82,7	84,0	83,9	84,9	84,7	85,9	84,6	86,5	84,8	87,0	87,4	85,7				131,1
	63000	69,4	78,6	79,5	81,0	81,0	81,3	82,0	82,8	82,3	84,7	81,7	83,7	85,1	82,9				130,2
	80000	65,8	75,4	76,0	77,5	78,5	78,8	79,9	80,4	78,3	84,0	78,8	81,8	82,0	79,5				130,8
OVERALL MEASURED		100,9	105,6	105,9	106,2	106,7	107,0	107,4	108,9	110,0	113,1	112,9	113,9	113,3	112,9				152,2
OVERALL CALCULATED		111,4	113,9	114,3	115,0	115,7	116,9	118,3	120,2	121,8	123,0	124,4	125,1	124,2	122,9				

72

134

SPL INPUT AT STD REV. ALPHA 12/73	ANGLES FROM INLET IN DEGREES (AND RADIANS)																PWL	
	30, (0.52)	40, (0.70)	50, (0.87)	60, (1.05)	70, (1.22)	80, (1.40)	90, (1.57)	100, (1.75)	110, (1.92)	120, (2.09)	130, (2.27)	140, (2.44)	150, (2.62)	160, (2.79)	0, (0.0)	0, (0.0)		0, (0.0)
RDG. NO. EQA	50	65.8	66.1	67.1	66.7	67.0	67.1	68.4	69.9	70.1	71.1	73.0	75.8	79.8	79.4			113.3
RADIAL 40, FT; (12, M)	63	68.1	68.1	63.4	68.5	69.3	70.9	71.3	72.9	74.1	75.6	76.6	79.6	83.2	84.1			117.0
VEHICLE JENOTS CONFIG JE-059	80	69.9	70.1	71.0	71.1	71.3	71.4	73.1	73.8	74.8	76.6	79.5	83.1	86.0	88.1			119.8
LOC EVENDALE	100	73.1	73.4	73.9	73.1	73.1	74.4	77.4	78.6	79.7	81.4	83.6	87.8	91.8	91.9			124.4
DATE 05-07-75	125	76.2	74.9	74.7	75.4	74.7	77.7	80.6	81.2	82.7	84.7	86.9	90.3	94.0	93.3			127.2
RUN DBTF-MODEL 1	160	81.1	78.4	77.6	78.4	78.6	80.6	83.1	83.1	85.9	87.9	88.6	92.1	95.1	96.3			128.9
TAPE X10350	200	80.5	79.5	78.3	79.0	79.0	80.8	82.8	83.3	85.5	87.5	88.5	90.3	94.1	97.2			130.6
BAR 29.3 HG	250	82.3	81.8	81.0	81.3	81.5	82.0	83.0	84.8	85.5	87.5	88.5	90.3	95.3	99.7	100.1		132.6
(99043, N/M2)	315	83.0	81.3	81.0	82.0	83.5	84.2	84.0	87.5	88.5	90.8	93.8	95.1	100.7	103.0			133.8
TAMB 66, DEG F (292, DEG K)	400	80.1	78.4	81.8	80.9	82.4	82.9	85.0	86.8	88.0	91.6	91.0	96.8	100.4	99.3			132.9
THEY 53, DEG F (285, DEG K)	500	80.8	81.3	82.6	81.5	82.7	83.9	85.7	87.4	88.9	90.4	92.7	98.6	99.6	98.1			132.9
HACT 0, G4/M3 (, KG/M3)	630	80.6	82.4	83.4	82.2	83.2	83.8	85.8	87.6	89.7	90.4	93.7	96.8	98.4	97.3			132.3
DIAMETER RATIO DF/DM 1.00	800	81.7	85.1	83.6	84.0	84.8	84.8	86.4	88.6	90.0	92.8	94.7	96.8	95.9	95.9			132.2
FREQ. SHIFT	1000	82.8	85.4	84.3	83.6	84.3	85.7	86.9	88.6	90.1	92.6	94.4	94.9	93.3	91.7			131.2
JET 0	1250	82.2	83.2	84.4	84.3	84.7	86.2	88.7	88.9	89.9	92.4	94.6	96.0	92.2	89.2			131.3
OVERALL MEASURED	1600	81.5	85.0	84.1	84.7	85.8	87.0	88.0	89.2	89.8	92.3	93.6	93.7	90.6	87.2			130.6
OVERALL CALCULATED	2000	83.3	83.1	84.3	86.7	87.0	87.6	88.0	89.1	90.0	91.6	93.2	93.3	90.3	87.5			130.6
PNDB	2500	82.6	85.1	86.5	86.0	86.6	87.4	88.7	89.9	91.3	92.6	93.5	93.2	90.2	87.7			131.1
	3150	83.1	86.4	87.3	88.2	88.1	88.6	89.3	91.1	91.1	94.4	94.7	94.1	91.6	89.1			132.3
	4000	82.4	85.9	86.7	87.8	88.6	89.6	90.6	91.7	93.3	95.6	95.8	95.1	92.6	89.8			133.4
	5000	83.5	87.2	87.9	88.9	88.8	90.3	92.0	94.0	95.3	97.5	98.4	97.6	95.3	92.6			135.5
	6300	84.8	88.1	89.3	90.4	90.7	92.0	92.4	94.6	96.1	99.2	99.1	99.0	97.4	96.1			136.9
	8000	85.5	89.1	90.1	91.1	92.1	92.9	93.3	95.2	97.3	99.4	99.7	100.3	99.2	98.9			138.1
	10000	87.1	90.8	91.8	92.9	93.8	94.2	93.6	95.6	98.2	100.0	100.2	101.1	100.3	100.1			139.3
	12500	86.7	92.0	92.6	93.1	93.2	93.4	93.5	95.1	97.0	98.9	98.5	100.0	99.7	100.1			138.8
	16000	86.1	92.4	92.9	92.2	93.1	92.9	92.5	94.2	96.0	96.9	96.6	98.4	97.6	98.5			137.9
	20000	84.4	92.9	92.6	93.2	92.7	92.2	91.3	92.5	93.9	94.4	94.6	95.8	95.4	93.7			136.8
	25000	81.9	90.6	91.3	91.9	91.7	92.4	90.6	91.3	91.3	91.6	91.1	92.5	93.4	92.6			135.4
	31500	77.2	85.8	86.8	88.0	88.3	90.4	89.2	89.6	86.5	89.5	88.4	89.2	89.8	88.4			133.1
	40000	73.9	81.8	83.3	84.4	84.4	85.2	88.2	86.3	85.9	85.5	84.2	85.4	86.1	85.6			130.0
	50000	70.3	78.2	79.7	80.8	79.9	81.3	81.5	83.0	82.5	83.6	81.4	82.1	83.4	82.5			127.8
	63000	66.7	74.1	75.5	76.7	75.8	76.8	77.0	80.1	79.8	82.0	78.0	78.7	81.2	79.5			126.5
	80000	64.3	68.4	70.8	71.5	71.3	72.4	73.2	78.4	76.0	82.0	76.1	77.1	79.3	77.0			127.4
																		148.7

ORIGINAL PAGE IS
OF POOR QUALITY

73

135

SPL INPUT AT STD REV; ALPHA 12/73	ANGLES FROM INLET IN DEGREES (AND RADIANS)																		PWL
	30,	40,	50,	60,	70,	80,	90,	100,	110,	120,	130,	140,	150,	160,	0,	0,	0,	0,	
FREQ; (0.52)	(0.70)	(0.87)	(1.05)	(1.22)	(1.40)	(1.57)	(1.75)	(1.92)	(2.09)	(2.27)	(2.44)	(2.62)	(2.79)	(0,	(0,	(0,	(0,		
NO EGA	63	68,6	71,1	71,1	71,5	71,8	72,4	73,3	73,9	74,4	75,8	77,6	80,4	83,7	84,6				114,3
RDG; NO. 0	80	70,9	71,4	71,8	71,9	72,0	72,7	74,1	74,6	74,7	76,3	77,4	80,0	83,9	86,5	89,1			117,8
RADIAL 40, FT	100	73,6	74,4	74,6	73,9	74,1	75,4	78,7	79,8	79,8	81,0	83,9	88,5	92,5	92,7				120,6
(12, M)	125	77,2	76,2	75,7	76,4	75,7	78,7	81,6	81,9	83,2	85,9	87,7	91,6	94,5	96,3				125,1
VEHICLE JENOTS	160	81,6	79,1	78,1	79,1	79,4	81,4	84,3	84,1	86,9	88,6	89,9	92,6	96,1	97,8				128,0
CONFIG JE-059	200	81,3	81,5	79,3	79,5	80,3	81,8	83,5	84,3	86,5	88,8	90,8	94,6	97,2	101,3				129,9
LDC EVENDALE	250	82,5	82,5	81,5	82,5	83,0	83,0	83,5	84,8	86,5	91,0	90,0	93,0	95,3	99,7	100,4			131,6
DATE 05-07-75	315	83,5	82,3	81,8	82,8	84,3	84,9	84,3	85,3	88,3	88,5	90,5	93,5	95,4	100,4	103,5			132,7
RUN DBTF-MODEL 1	400	80,6	79,2	82,0	81,6	83,6	83,4	85,3	87,1	89,0	92,1	91,3	97,3	100,2	98,6				134,0
TAPE X10360	500	81,6	82,6	83,6	82,8	83,7	85,1	86,9	87,9	89,9	90,9	93,7	99,4	100,1	97,6				132,9
BAR 29,3 HG	630	82,1	83,7	84,4	83,4	83,9	84,0	87,1	87,9	90,4	91,2	94,2	97,3	98,4	97,3				133,5
(99043, N/M2)	800	82,4	86,1	84,6	85,3	85,5	85,8	87,4	89,9	90,8	94,0	95,7	97,3	96,4	96,2				132,6
TAMB 66, DEG F	1000	84,1	86,9	86,0	84,9	85,5	86,9	88,2	89,8	90,6	93,1	94,9	95,9	94,3	91,9				133,0
(292, DEG K)	1250	83,2	84,7	85,4	85,5	86,0	86,9	89,4	89,9	90,4	93,4	95,8	96,7	92,7	89,7				132,0
THWT 53, DEG F	1600	82,8	86,5	85,9	86,2	86,8	87,7	89,0	89,7	91,1	93,3	94,8	94,7	92,1	88,3				132,2
(285, DEG K)	2000	84,6	85,1	85,5	87,7	88,5	89,1	89,3	90,3	91,0	92,9	94,4	94,8	91,8	89,3				131,7
HACT 0, G4/M3	2500	84,1	87,1	87,8	87,5	87,9	89,9	89,9	90,9	91,8	93,6	94,8	94,4	91,9	89,0				131,9
(, KG/M3)	3150	84,1	87,4	88,3	88,7	89,1	89,6	90,5	91,6	92,1	95,1	95,4	95,9	93,1	90,9				132,2
FREQ, SHIFT	4000	83,4	87,2	88,0	89,1	89,9	90,6	91,9	93,2	94,3	96,4	96,8	96,3	94,1	91,5				133,3
JET 0	5000	84,5	88,0	88,1	89,6	90,1	91,1	92,5	94,8	95,6	98,3	99,4	98,9	96,0	94,9				134,5
DIAMETER RATIO	6300	86,0	90,1	90,0	90,6	91,9	92,7	92,7	95,1	96,3	99,2	99,6	100,2	98,4	97,9				136,3
DF/DH 1:00	8000	87,0	91,3	91,3	92,6	93,3	93,4	94,0	95,7	97,3	100,2	100,7	101,8	99,7	99,9				137,3
	10000	89,8	95,8	95,0	94,4	94,3	94,0	93,6	96,1	97,0	99,8	100,5	102,1	101,0	101,6				139,0
	12500	90,4	98,5	98,6	98,1	97,5	95,7	94,5	95,6	96,5	98,6	99,3	101,0	100,2	102,2				139,8
	16000	90,1	97,9	98,1	98,7	99,1	96,9	95,0	95,2	95,8	97,2	97,1	98,6	98,9	99,5				140,5
	20000	87,1	95,7	96,1	97,2	98,5	97,2	95,5	94,8	94,4	95,2	95,1	96,6	95,9	96,7				139,4
	25000	83,6	91,3	92,6	93,9	94,9	95,9	95,3	95,1	93,3	92,9	92,1	93,3	93,4	93,8				137,7
	31500	79,4	87,8	88,8	89,8	90,1	92,4	92,4	92,8	90,8	90,7	89,6	90,2	91,0	89,7				138,1
	40000	76,1	85,1	85,6	87,4	87,2	87,5	87,7	88,8	88,2	87,7	88,2	86,1	87,1	86,8				138,1
	50000	72,3	81,5	82,2	84,3	83,4	84,5	85,0	85,7	84,7	84,6	82,6	83,6	84,4	83,5				132,2
	63000	68,7	78,1	79,0	80,2	80,5	81,0	81,5	82,4	81,3	82,0	79,3	80,7	82,2	80,7				130,2
	80000	66,6	75,7	75,5	77,0	78,8	78,9	79,4	79,6	77,8	79,3	76,8	79,3	80,1	77,8				128,9
OVERALL MEASURED		99,2	104,9	105,1	105,5	105,9	105,5	105,3	105,4	107,1	109,2	110,1	111,5	111,5	112,0				150,0
OVERALL CALCULATED		109,3	112,4	112,5	113,1	113,8	114,5	115,6	117,3	118,4	120,8	122,0	122,8	121,7	121,1				

74

136

MODEL SOUND PRESSURE LEVELS (59, DEG F, 70 PERCENT REL HUM, DAY - JENOTS)

SPL INPUT AT STD REV: ALPHA 12/73	ERREQ	ANGLES FROM INLET (IN DEGREES (AND RADIAN))																PWL	
		30,	40,	50,	60,	70,	80,	90,	100,	110,	120,	130,	140,	150,	160,	0,	0,		0,
NO EQA	50	68,3	68,6	68,6	68,4	69,2	69,3	70,6	71,5	73,1	74,8	76,5	79,0	82,6	81,9				116,1
RDG NO. 01	63	70,1	70,8	71,4	71,0	73,3	73,1	74,5	75,2	78,4	77,3	80,1	82,6	86,2	86,1				119,6
RADIAL 40, FT. (12, M)	80	72,6	73,9	74,3	74,4	74,3	74,4	76,3	77,1	79,3	80,9	83,7	86,9	89,5	90,9				123,3
VEHICLE JENOTS	100	76,4	76,4	76,9	76,1	76,1	77,1	80,4	81,6	83,0	84,6	86,9	89,3	94,5	93,9				127,3
CONFIG JE-059	125	79,4	77,7	77,9	78,7	77,9	79,9	82,9	83,7	85,2	87,4	89,4	93,1	96,5	97,8				129,8
LOC EVENDALE	160	84,1	81,4	80,4	81,4	81,1	83,4	86,1	85,9	88,6	90,1	91,1	94,4	97,6	98,1				131,2
DATE 05-07-75	200	83,0	82,3	80,8	81,3	81,8	83,8	85,0	86,5	88,0	90,8	92,8	96,4	99,2	101,8				133,0
RUN DBTF=MODEL 1	250	85,3	84,8	83,5	84,0	84,0	85,3	85,3	86,5	87,5	92,0	94,8	97,3	101,4	101,1				134,3
TAPE X10370	315	86,0	84,8	83,5	85,0	86,0	86,9	86,0	90,0	90,0	93,0	95,8	97,6	102,2	104,0				135,5
BAR 29,3 HG (99043, N/M2)	400	83,1	80,7	85,3	84,1	85,6	85,7	87,3	89,3	91,3	94,8	94,3	99,5	102,7	101,1				138,3
TAMP 70, DEG F (294, DEG K)	500	83,1	83,6	85,8	84,5	85,9	86,9	88,9	89,9	91,9	93,4	95,2	99,9	101,1	98,8				134,7
THWT 56, DEG F (286, DEG K)	600	83,6	85,4	86,4	85,2	86,4	86,0	89,1	92,4	92,4	93,4	96,7	99,6	99,9	97,8				134,6
HACT 0, GM/M3 (, KG/M3)	800	83,7	87,9	86,6	87,0	87,5	88,0	89,4	90,4	92,4	93,3	96,5	97,4	98,8	97,4				134,8
FREQ, SHFT JET	1000	85,8	91,4	88,0	87,4	87,8	88,4	90,9	92,3	93,9	96,8	97,7	97,7	95,6	92,9				134,6
DIAMETER RATIO DF/DH 1,00	1250	85,0	86,7	87,9	87,5	88,2	89,2	92,7	91,9	93,7	96,6	98,6	98,2	94,4	91,2				134,7
	1600	84,8	88,5	87,9	88,0	89,3	90,5	92,0	93,2	94,6	96,5	97,6	96,5	93,6	90,2				134,4
	2000	85,8	86,8	87,5	90,1	91,0	91,6	92,3	93,3	95,0	97,1	97,4	97,5	94,1	90,5				134,9
	2500	85,3	88,0	89,7	88,9	90,3	91,2	93,2	91,1	96,0	98,8	97,0	97,2	93,6	90,7				135,5
	3150	85,8	88,1	89,8	90,9	91,6	92,6	93,8	95,1	96,0	100,1	98,4	98,1	95,6	92,1				136,5
	4000	84,9	87,9	89,2	91,5	92,4	93,8	95,1	96,4	98,0	100,4	99,0	98,8	95,8	93,2				137,4
	5000	86,2	88,5	90,3	91,8	93,0	94,3	96,3	98,0	100,1	102,7	100,7	100,3	97,5	95,8				139,2
	6300	87,7	90,3	92,0	93,3	94,8	96,4	97,4	99,1	101,5	103,9	101,8	102,2	100,6	99,6				140,9
	8000	88,7	91,5	93,0	94,2	95,7	97,0	97,9	100,1	102,6	104,4	103,4	104,4	102,4	102,1				142,3
	10000	91,0	91,7	93,2	95,0	95,9	97,4	98,0	101,0	103,4	104,6	103,9	105,2	103,7	103,5				143,3
	12500	89,6	91,9	92,4	93,9	95,6	96,6	97,9	99,9	101,1	103,5	103,1	104,1	102,5	102,7				142,5
	16000	87,4	91,2	91,7	93,0	94,7	95,5	96,9	98,8	99,9	100,8	100,9	101,7	100,7	99,8				141,1
	20000	84,2	90,3	91,0	91,5	93,1	93,3	94,4	96,4	97,5	98,5	98,4	99,2	98,0	97,3				139,2
	25000	82,0	88,4	89,9	90,8	91,3	92,1	92,2	94,0	95,0	96,0	94,5	96,4	95,2	94,2				137,2
	31500	77,6	83,6	85,7	87,1	87,7	89,3	89,8	91,3	91,7	93,1	91,8	93,9	92,7	90,1				134,9
	40000	74,3	80,3	82,0	83,3	84,4	84,9	85,9	87,5	88,1	89,2	87,9	89,5	89,0	87,7				131,8
	50000	70,6	75,8	78,0	79,6	80,5	81,8	83,1	84,5	85,0	86,7	84,9	86,9	86,3	84,6				129,9
	63000	68,3	72,0	73,9	75,9	78,2	78,9	80,1	81,5	81,7	84,8	81,1	84,1	83,8	81,8				128,9
	80000	66,7	68,2	68,6	70,3	77,1	77,2	78,5	79,4	78,4	83,6	78,4	81,2	81,9	79,1				129,8
OVERALL MEASURED																			
OVERALL CALCULATED		99,8	102,3	103,1	104,2	105,3	106,4	107,6	109,5	111,3	113,3	112,8	113,9	113,4	113,0				152,0
PND8		111,0	113,1	114,2	115,3	116,4	117,7	118,9	120,5	122,6	125,0	124,1	124,8	123,7	122,6				

ORIGINAL PAGE IS OF POOR QUALITY

MODEL SOUND PRESSURE LEVELS (59, DEG; F, 70 PERCENT REL. HUM, DAY - JENOTS)

SPL INPUT AT STD REV: ALPHA 12/73	ANGLES FROM INLET IN DEGREES (AND RADIANS)																	PHL
	30,	40,	50,	60,	70,	80,	90,	100,	110,	120,	130,	140,	150,	160,	0,	0,	0,	
FREQ:	(0,52)	(0,70)	(0,87)	(1,05)	(1,22)	(1,40)	(1,57)	(1,75)	(1,92)	(2,09)	(2,27)	(2,44)	(2,62)	(2,79)	(0,	0,	0,	
50	74,8	70,3	70,1	69,2	69,7	70,1	71,1	72,0	72,9	74,8	76,0	78,3	81,8	81,4				116,0
NO EGA	63	78,8	72,6	72,9	72,7	73,5	74,4	74,0	75,4	75,6	77,6	79,3	82,1	85,7				119,7
RDG, NO: 0	80	79,6	73,4	73,5	73,4	73,8	74,4	75,3	76,6	77,6	79,4	82,7	85,6	88,8				122,6
RADIAL 43, FT	100	81,1	76,1	76,1	75,4	75,1	76,9	79,4	80,8	82,2	83,6	85,9	90,3	94,3				126,8
(12, M)	125	86,2	77,7	77,2	77,9	77,4	79,9	82,6	82,9	84,7	86,9	89,2	92,8	95,8				129,4
VEHICLE: JENOTS	160	91,4	80,6	80,4	80,6	80,4	82,9	85,6	85,9	88,4	89,4	91,1	93,9	97,6				131,4
CONFIG JE-059	200	84,3	82,3	80,3	81,0	81,3	83,0	84,5	85,5	87,5	90,5	93,3	97,4	100,0	101,8			133,4
LOC EVENDALE	250	85,3	84,3	83,5	83,5	83,8	84,8	85,3	86,5	87,8	92,8	95,8	98,8	102,4	102,1			135,2
DATE 05-07-75	315	86,5	84,0	83,0	84,5	85,3	86,2	85,8	89,8	90,5	93,0	96,8	99,1	103,9	105,8			136,8
RUN DBTF-MODEL 1.	400	83,1	81,4	84,3	83,4	84,6	84,9	87,0	89,1	91,8	94,8	94,8	101,3	104,4	102,8			136,6
TAPE X10380	500	84,6	84,6	85,1	84,0	84,9	86,4	88,4	89,7	91,7	93,4	95,7	102,4	103,8	100,1			136,4
BAR 29,3 HG	630	84,1	84,9	85,7	84,2	85,2	85,5	88,3	90,1	92,2	93,4	97,4	100,8	102,4	100,1			135,7
(99043, N/M2)	800	83,9	87,1	89,6	86,3	86,8	86,8	88,4	91,4	93,0	96,0	97,9	100,0	99,7	98,9			135,3
TAMB 67, DEG F	1000	85,1	87,4	86,3	85,9	86,0	87,7	89,4	90,8	92,9	95,3	97,2	97,9	96,8	93,7			133,9
(293, DEG K)	1250	84,0	85,4	86,4	86,3	86,7	87,7	90,7	90,9	92,4	95,4	97,8	98,7	94,9	91,2			134,0
TWET 54, DEG F	1600	83,5	87,0	86,6	86,7	87,8	89,0	89,8	91,2	92,6	94,5	96,8	97,0	92,9	89,0			133,2
(285, DEG K)	2000	85,3	85,3	86,0	88,7	89,0	89,8	91,1	92,2	94,9	95,9	96,9	96,0	93,1	89,8			133,0
HACT 0, G4/M3	2500	84,3	86,8	87,7	87,4	88,1	89,2	90,7	91,9	93,3	95,6	95,7	95,4	92,9	89,5			133,3
(, KG/M3)	3150	84,3	87,4	88,3	89,5	89,6	90,6	91,3	92,6	93,1	96,9	96,7	96,6	94,6	91,1			134,3
FREQ. SHIFT	4000	83,9	87,4	88,5	89,3	89,9	91,3	92,3	93,9	94,5	98,1	97,3	96,8	95,0	91,5			135,2
JET 0	5000	85,5	87,8	89,1	90,1	90,3	92,1	93,0	95,0	96,6	100,2	99,5	99,1	97,5	94,3			137,1
DIAMETER RATIO	6300	86,2	89,6	90,3	91,1	92,1	93,4	93,9	96,6	97,6	101,4	100,9	100,7	99,6	97,3			138,6
DF/DH 1,00	8000	87,2	90,5	91,3	91,8	93,5	94,3	94,5	96,7	98,5	102,2	101,7	102,0	101,4	99,9			139,9
	10000	88,8	92,7	93,5	94,1	94,3	94,9	95,0	97,6	99,2	102,2	101,9	102,3	102,2	101,6			140,8
	12500	89,1	94,9	95,3	94,2	94,4	94,6	94,7	96,5	97,7	100,3	100,5	101,4	101,9	101,0			140,3
	16000	88,8	95,6	96,1	96,1	96,3	94,8	94,2	95,7	96,4	98,6	98,0	99,5	100,3	99,1			139,8
	20000	87,3	94,3	95,3	95,6	96,6	94,8	93,7	94,0	94,8	96,1	96,0	97,7	97,3	96,1			138,8
	25000	83,5	90,0	92,5	93,6	94,1	94,9	93,0	92,8	92,8	93,8	92,8	94,2	95,0	93,7			137,1
	31500	78,9	86,4	87,7	89,4	89,5	91,5	90,9	91,8	89,9	91,4	89,6	91,4	92,0	89,4			134,7
	40000	76,3	83,5	85,0	86,1	86,1	86,9	86,9	87,8	86,9	87,4	85,6	87,1	88,0	86,8			131,7
	50000	72,8	80,3	82,3	83,3	83,2	84,0	83,8	85,0	84,0	85,4	82,4	84,9	86,2	84,1			130,0
	63000	69,0	76,9	78,6	80,0	80,1	80,3	80,8	82,1	81,3	83,5	80,1	82,0	83,7	81,0			129,1
	80000	66,4	74,2	75,5	76,3	78,0	77,9	79,2	79,6	77,1	83,3	77,6	80,1	81,1	78,6			130,0
OVERALL MEASURED																		
OVERALL CALCULATED		100,3	103,3	104,0	104,3	104,9	105,2	105,4	107,2	108,3	111,2	111,5	113,0	113,9	113,1			150,8
PND8		110,6	112,3	112,9	113,6	114,2	115,4	116,4	118,3	119,6	122,9	123,2	124,0	123,5	121,7			

SPL INPUT AT STD REV, ALPHA 12/73	FREQ	ANGLES FROM INLET IN DEGREES, (AND RADIANS)																PWL
		30	40	50	60	70	80	90	100	110	120	130	140	150	160	170	180	
NO EGA	50	68,8	69,3	70,1	69,9	70,2	70,3	71,6	72,0	72,6	74,8	77,5	80,8	84,3	88,4	117,3		
BDG, ND: 0	63	72,1	72,3	72,4	73,0	73,8	75,1	75,8	76,2	76,4	78,6	81,8	84,4	88,0	88,1	121,3		
BADIAL 40, FY.	80	74,6	75,4	75,5	75,9	75,5	75,7	78,1	78,6	80,1	82,3	85,5	89,1	92,0	92,6	125,2		
VEHICLE JEN018	100	78,6	78,6	78,9	78,1	77,9	79,4	81,9	83,3	84,5	86,1	88,9	93,5	97,0	98,8	129,4		
CONFIG JEN018	125	80,9	79,7	80,2	80,4	79,4	82,7	85,1	85,7	87,2	89,2	91,7	95,3	98,8	99,5	131,8		
LOC EVENDALR	150	86,6	83,4	82,9	83,4	83,4	85,6	87,8	88,4	90,9	92,1	93,4	96,6	99,3	99,8	133,2		
DATE 05-07-75	200	85,8	84,8	83,5	83,5	83,8	85,8	87,0	88,0	90,0	92,0	95,8	99,1	101,7	104,3	135,5		
BUN QBT-MODEL 1	250	87,5	87,3	86,3	85,8	85,8	86,8	87,5	89,0	94,8	95,6	98,3	101,0	104,7	102,9	137,2		
TAPE X10370	313	88,8	87,0	86,3	87,0	88,8	88,9	88,3	92,0	92,5	95,8	99,0	101,9	106,2	105,8	138,8		
BAR 29,4 HG	400	85,1	83,7	86,8	86,1	87,6	87,9	89,3	91,6	93,8	97,6	97,0	102,8	108,4	103,3	138,4		
99144, N(M2)	500	85,8	86,3	88,1	86,8	87,9	89,1	90,9	92,2	94,4	97,9	97,9	102,9	104,3	102,3	137,6		
TAMB 67, DEG F	630	85,8	87,4	88,2	86,9	88,4	88,3	91,1	92,6	95,7	96,4	99,9	102,3	103,9	101,6	137,7		
(293, DEG K)	800	85,9	90,1	88,9	89,0	89,5	90,0	92,1	94,9	95,5	99,0	99,9	101,3	101,2	99,7	137,4		
THET 56, DEG F	1000	87,8	93,4	89,3	88,4	89,5	90,7	92,4	94,3	96,1	99,3	100,4	101,9	98,6	95,2	136,9		
(286, DEG K)	1250	87,2	88,4	89,4	89,8	90,0	91,2	94,4	93,9	96,2	99,4	101,1	100,5	96,4	93,2	137,0		
WACT 0, GM/H3	1600	86,5	89,7	89,4	90,0	91,1	92,2	93,8	94,5	96,6	99,0	99,8	99,8	95,1	92,0	136,5		
DIAMETER RATIO	2000	88,3	89,1	89,5	91,6	92,5	92,8	93,3	95,1	97,0	99,6	99,6	99,6	95,8	93,0	136,9		
80000	2500	87,8	90,3	91,0	90,4	91,8	93,1	94,2	96,1	98,5	100,6	99,7	99,7	96,1	93,0	137,5		
80000	3130	88,0	90,6	91,2	91,9	93,1	94,0	95,0	96,1	98,8	101,3	101,6	100,8	97,3	94,3	138,3		
80000	4000	87,6	90,4	91,4	92,7	93,6	95,0	96,0	97,9	99,7	102,1	101,0	100,7	98,2	94,9	139,1		
80000	5000	89,2	91,4	92,0	93,3	93,7	95,8	97,2	99,9	102,0	103,7	102,4	102,5	100,7	99,0	140,8		
80000	6300	90,4	92,7	93,6	94,2	95,5	96,8	98,3	100,8	102,9	104,3	103,7	104,1	103,0	100,5	142,2		
80000	8000	91,3	93,6	94,4	95,1	96,9	97,9	98,8	102,0	103,6	105,5	105,0	105,6	104,2	102,5	143,6		
80000	10000	92,3	93,7	94,2	95,6	97,3	98,2	99,5	102,6	104,7	105,4	105,4	106,0	104,7	103,3	144,4		
80000	12500	91,1	94,1	95,2	95,2	96,3	98,1	99,4	101,7	102,7	104,0	104,2	105,4	104,1	102,2	143,7		
80000	16000	91,7	94,7	95,5	95,0	96,2	96,7	97,6	100,3	101,1	101,7	101,9	102,7	101,2	99,5	142,2		
80000	20000	94,4	94,0	94,9	94,7	95,0	94,9	95,3	97,3	98,9	99,4	99,4	100,4	98,7	97,0	140,5		
80000	25000	94,2	91,1	92,1	93,5	93,2	93,7	93,6	95,4	96,1	96,9	95,9	97,3	96,4	93,6	138,6		
80000	31500	99,8	85,8	87,6	88,8	89,1	91,2	90,5	92,2	92,4	94,3	93,7	94,6	93,4	89,8	133,1		
80000	40000	96,0	82,7	84,5	85,0	85,6	86,4	86,9	88,0	89,6	90,9	89,6	90,6	90,0	87,2	133,0		
80000	50000	72,0	78,0	80,8	81,9	81,3	82,8	83,9	85,0	86,1	87,9	86,7	87,9	87,0	84,1	131,0		
80000	63000	69,4	75,1	77,3	77,7	77,8	78,5	81,3	82,6	83,1	85,9	83,3	85,0	84,9	81,7	130,1		
80000	80000	66,4	70,0	71,3	72,5	72,8	72,6	79,9	80,4	79,8	85,6	80,1	82,1	82,9	78,3	131,0		
OVERALL MEASURED		102,1	104,7	105,2	105,7	106,7	107,7	108,9	111,2	113,0	114,6	114,7	115,8	116,0	114,6	153,7		
OVERALL CALCULATED		103,4	115,4	115,9	116,6	117,6	118,8	120,1	122,3	124,4	126,3	126,2	127,0	128,2	124,2			

ORIGINAL PAGE IS
OF POOR QUALITY

MODEL SOUND PRESSURE LEVELS (59' DEG. F, 70 PERCENT REL. HUM, DAY JENOTS)

SPL INPUT AT STD BEV, ALPHA 12478	ANGLES FROM INLET IN DEGREES (AND RADIANS)																	PWL
	30	40	50	60	70	80	90	100	110	120	130	140	150	160	0	0	0	
FREQ	(0.52)	(0.70)	(0.87)	(1.05)	(1.22)	(1.40)	(1.57)	(1.75)	(1.92)	(2.09)	(2.27)	(2.44)	(2.62)	(2.79)	(0)	(0)	(0)	
NO EGA	72.8	72.3	72.1	71.4	71.5	72.8	75.4	75.5	76.9	79.13	78.8	82.0	84.6	83.4				118.9
BGG, NO. 0	74.1	73.6	73.4	73.7	74.0	75.4	77.0	77.4	78.6	81.6	82.1	85.1	88.0	87.6				121.8
BADIAL 40, FT.	75.6	76.4	76.5	76.4	76.3	76.7	78.8	79.3	80.8	85.4	85.5	89.1	91.0	92.4				125.3
(12, M)	79.1	78.9	79.1	78.1	77.6	79.6	82.7	84.1	85.0	87.9	88.4	93.0	96.3	95.9				129.2
VEHICLE JENOTS	81.7	80.4	80.7	80.4	79.7	82.9	85.6	85.7	87.2	92.2	91.4	95.3	98.3	99.5				131.9
CONFIG JE#059	87.1	83.6	83.1	83.4	83.1	85.1	87.8	87.9	90.8	94.4	93.1	96.1	98.6	99.8				133.1
LOC EVENDALE	85.8	84.8	83.5	83.8	83.8	85.5	87.0	88.0	89.8	93.0	95.6	99.1	101.7	104.0				135.4
DATE 05-07-75	87.5	86.8	86.0	86.0	85.5	86.8	87.0	88.5	94.8	94.8	98.0	101.0	104.2	103.1				137.0
RUN DBYF#MOBBL 1	88.8	86.8	86.3	86.8	88.3	88.9	88.0	91.8	92.5	95.5	98.5	101.4	105.7	107.3				138.6
TARE X10400	85.1	83.4	86.8	86.1	87.9	87.9	90.3	91.6	93.8	97.3	97.0	103.0	106.2	103.8				138.4
BAR 29.4 HG	85.8	86.3	88.1	87.0	87.9	88.6	90.9	92.4	93.9	95.4	97.4	102.9	104.1	102.6				137.5
899144, N/42)	85.8	87.4	88.2	86.9	87.9	88.5	91.1	92.6	94.7	96.7	99.7	102.1	103.6	101.3				137.5
TAMB 67, DEG F	85.7	89.6	88.4	89.3	89.8	90.0	91.9	94.4	95.3	98.5	99.9	100.8	100.2	98.9				136.9
(293, DEG K)	87.3	92.4	89.0	88.7	89.3	90.2	92.4	93.8	95.9	98.8	99.7	99.4	97.8	94.9				136.4
TNET 54, DEG F	85.8	88.4	89.1	89.3	90.2	91.4	94.2	94.2	95.9	98.9	100.6	100.0	95.9	92.2				136.6
(200, DEG K)	87.3	88.3	89.0	90.0	91.1	92.2	93.5	95.0	96.3	98.7	99.3	98.5	94.9	91.7				136.2
WABT 0, GM/M3	86.8	89.0	90.5	90.9	91.8	92.6	93.9	95.6	97.8	100.1	98.7	98.7	94.9	91.5				136.8
1, KG/M3)	87.3	89.9	90.7	92.4	92.8	94.0	95.5	96.6	98.5	100.6	99.6	99.3	96.3	93.6				137.8
FREQ, SMIFT	86.6	89.4	90.4	92.2	94.1	95.0	96.5	97.9	99.7	101.3	100.2	100.2	97.2	94.4				138.7
JET 0	88.2	89.9	91.5	93.5	94.7	96.3	97.9	99.9	102.2	103.4	101.9	101.8	99.2	97.5				140.7
DIAMETER RATIO	89.1	91.7	92.6	94.5	96.0	97.3	98.3	100.8	103.4	104.3	103.2	103.6	102.0	100.5				140.1
DF/DM 1.00	90.6	92.6	93.6	95.3	96.9	98.4	99.1	102.0	104.1	105.5	104.5	105.1	104.0	103.0				143.5
10000	91.5	93.0	94.0	95.8	97.5	98.7	100.3	103.1	105.2	106.2	104.9	105.8	104.5	103.6				144.6
12500	90.1	92.6	93.5	95.4	97.1	98.1	100.1	102.2	103.4	104.5	103.9	104.9	103.3	102.2				143.8
16000	87.9	92.0	93.0	95.9	96.9	98.6	100.6	101.3	102.6	103.9	101.9	102.9	101.2	99.8				142.2
20000	85.4	90.7	91.2	92.7	93.2	94.4	96.1	97.8	99.2	99.9	99.4	100.1	98.7	97.2				140.3
25000	82.4	89.1	90.1	91.0	91.7	92.5	93.6	95.1	96.4	97.2	95.9	97.1	95.6	94.1				138.2
31500	77.8	83.1	85.6	87.3	87.9	89.4	90.8	92.5	93.1	94.1	93.0	94.1	92.6	90.3				135.6
40000	74.5	80.2	82.0	83.3	83.9	84.9	86.1	88.3	89.8	90.4	88.9	89.8	89.0	86.7				132.4
50000	70.1	75.6	77.8	79.4	79.8	81.6	83.1	85.3	85.6	87.7	85.7	87.4	86.8	83.9				130.3
63000	67.7	71.4	73.5	75.2	76.3	78.5	80.5	82.3	83.1	85.9	83.0	84.2	84.2	81.5				129.6
80000	65.6	67.0	68.5	70.5	71.8	72.6	74.9	77.9	80.6	85.2	79.4	80.9	81.6	79.1				130.4
OVERALL MEASURED																		153.5
OVERALL CALCULATED	101.3	103.5	104.1	105.4	106.7	107.8	109.3	111.3	113.2	114.6	114.3	115.4	115.5	114.7				
PNDB	112.7	114.7	115.3	116.6	117.8	119.0	120.5	122.4	124.5	126.2	125.7	126.5	125.5	124.0				

78

140

SPL INPUT AT STU BEV: ALRHA 12478	ANGLES FROM INLET IN DEGREES, (AND RADIANS)																	PWL
	30	40	50	60	70	80	90	100	110	120	130	140	150	160	170	180	190	
ND RGA	73.1	72.6	72.4	71.9	72.5	72.3	73.4	74.3	75.1	77.1	80.3	83.3	86.8	86.9				120.0
BCG NO. 0	76.6	74.6	75.1	75.7	76.3	76.1	77.3	77.7	78.6	80.3	84.3	87.4	90.5	91.1				123.8
BADIAL 40 FT	77.9	78.4	78.3	78.4	77.8	78.2	80.6	80.6	82.3	84.6	88.7	92.1	94.5	95.6				128.0
121 MI	80.6	80.6	81.1	80.1	81.4	84.2	85.1	88.2	87.6	90.9	95.5	99.3	99.3					131.7
VEHICLE JENOTS	82.4	82.4	82.4	82.7	81.9	84.7	86.9	87.4	88.7	91.2	93.7	98.1	100.8	102.0				134.1
ECNFIG JE#029	89.1	86.1	85.9	85.6	85.6	87.6	89.6	90.1	92.9	93.9	95.9	99.1	101.6	102.8				135.6
LOC EVENDALB	88.5	87.8	86.5	86.5	86.3	87.8	89.3	90.5	92.0	95.8	99.3	103.1	105.7	108.0				139.2
DATE 05-07-75	89.8	90.3	88.8	88.5	88.3	89.3	89.5	91.0	96.8	97.3	101.8	104.8	107.9	109.6				140.3
RUN DBTF MODEL 1	87.4	85.7	88.8	89.5	90.5	91.2	90.3	94.3	95.0	99.6	102.3	105.4	109.4	110.3				142.0
TAPE X10410	88.8	89.3	91.1	89.5	90.7	91.6	93.7	95.4	97.2	98.7	100.9	106.9	108.6	109.8				141.8
BAR 29.4 HG	89.1	89.9	90.7	89.4	90.7	90.8	93.8	95.6	97.9	99.7	103.2	105.8	108.6	109.8				141.4
49144 N(M2)	88.4	92.1	90.9	91.5	92.3	92.8	94.9	97.1	98.5	102.0	103.2	105.0	104.4	103.4				141.3
TAMB 67 DEG F	90.1	94.4	91.5	91.1	92.3	93.2	95.4	96.8	99.1	102.6	103.2	105.0	104.4	103.4				140.6
(293 DEG K)	89.5	90.7	91.6	91.5	92.7	93.7	95.4	96.7	99.2	102.4	103.6	105.4	104.4	103.4				139.7
TWET 56 DEG F	88.5	91.7	91.4	92.2	93.3	95.0	96.3	97.5	99.3	102.0	102.6	103.4	104.4	103.4				139.2
(266 DEG K)	90.6	90.8	91.3	93.9	95.0	95.6	96.3	97.8	100.5	102.4	102.9	101.7	98.6	94.8				139.7
HACT 0 GM/M3	89.3	92.0	92.7	92.9	93.8	95.1	96.9	98.4	101.0	102.6	102.9	101.7	98.6	94.8				139.7
KG/M3	90.3	92.9	93.0	94.4	95.6	96.8	97.5	99.1	101.5	103.6	102.9	102.8	99.3	97.1				139.7
FREQ. SNIPT	89.6	92.1	92.9	94.7	96.1	97.5	98.5	99.9	102.5	104.3	103.5	103.2	100.5	97.7				140.5
JET	90.7	92.7	93.0	95.0	96.2	98.0	100.2	101.9	104.5	105.4	104.9	104.8	102.9	100.8				143.1
DIAMETER RATIO	91.9	93.7	94.4	96.2	97.8	99.3	100.3	103.0	105.2	106.3	106.7	106.6	105.0	103.8				144.3
RF/DM 1.00	92.1	94.9	94.9	96.8	98.6	100.2	101.1	103.8	105.9	106.7	106.3	106.3	105.3	103.9				145.2
10000	93.5	96.2	95.7	97.6	98.8	100.4	101.8	104.3	106.7	106.7	106.4	107.0	105.7	104.1				145.8
12500	92.6	98.1	97.5	97.7	98.6	100.1	101.4	104.0	105.2	106.3	105.7	106.4	104.1	102.5				145.5
16000	91.9	98.7	98.2	97.8	98.7	99.4	100.1	102.3	102.6	103.7	103.1	104.2	101.9	100.3				144.1
20000	89.4	97.0	96.2	97.2	98.0	97.9	98.3	99.6	101.2	100.9	100.4	101.1	99.2	97.0				142.4
25000	85.9	92.1	92.9	94.5	95.5	96.2	95.9	96.9	98.1	98.7	97.6	98.6	96.9	94.1				140.2
31500	81.0	88.3	88.1	90.1	90.9	92.9	93.3	94.2	94.9	96.1	95.0	95.8	93.6	90.5				137.7
40000	77.5	84.7	85.0	86.8	87.1	87.9	88.4	90.5	91.6	91.8	90.9	91.8	90.7	87.7				134.5
50000	73.1	80.6	80.8	83.6	84.0	84.8	85.4	87.3	88.1	89.7	88.7	89.9	88.8	85.6				132.9
63000	70.4	75.9	76.0	80.2	81.3	81.3	82.5	84.6	85.8	87.2	87.0	88.0	88.9	86.0				132.6
80000	69.4	70.7	71.5	76.8	79.3	78.6	80.2	81.9	81.6	86.1	86.9	87.9	89.1	86.8				134.5
OVERALL MEASURED																		
OVERALL CALCULATED	104.0	107.2	106.9	107.8	108.9	110.1	111.3	113.3	115.3	116.6	116.9	118.2	118.7	117.5				135.9
PNRP	115.4	117.4	117.5	118.7	119.9	121.2	122.8	124.6	126.9	128.4	128.6	129.5	128.7	128.9				

79

ORIGINAL PAGE IS OF POOR QUALITY

SPL INPUT AT STD BEV, ALPHA 12(7)	ANGLES FROM INLET IN DEGREES, (AND RADIANS)																	PWL
	30,	40,	50,	60,	70,	80,	90,	100,	110,	120,	130,	140,	150,	160,	0,	0,	0,	
FREQ, (0.52)(0.70)(0.87)(1.05)(1.22)(1.40)(1.57)(1.75)(1.92)(2.09)(2.27)(2.44)(2.62)(2.79)(3.0)	(0.52)	(0.70)	(0.87)	(1.05)	(1.22)	(1.40)	(1.57)	(1.75)	(1.92)	(2.09)	(2.27)	(2.44)	(2.62)	(2.79)	(3.0)	(3.0)	(3.0)	
NO EGA	50	82.8	63.8	65.6	66.2	66.2	67.1	69.1	68.8	71.4	70.8	70.0	71.0	72.6	71.2		110.1	
RDG, NO, 0	63	84.8	65.3	65.9	67.7	66.8	67.1	70.0	70.2	71.6	72.1	71.8	72.9	74.7	74.3		111.5	
BADIAL 40, FT.	80	89.6	65.1	67.3	67.4	67.5	67.9	70.1	71.3	72.6	73.4	73.2	75.6	77.3	78.9		113.3	
(12, M)	100	87.4	67.1	67.9	68.4	68.1	69.9	72.7	73.8	75.2	76.1	76.9	80.0	82.8	82.9		116.8	
VEHICLE JENOTS	125	89.4	67.9	68.2	70.2	69.7	72.7	75.1	75.9	76.9	79.2	79.9	83.1	85.0	87.8		119.8	
CONFIG JE*05	150	78.4	71.4	70.6	71.6	72.4	74.9	77.1	77.1	79.6	80.8	81.1	83.9	86.3	87.8		121.1	
LOC EVENDALB	200	77.5	75.0	73.5	73.5	73.8	76.3	76.8	78.5	79.8	82.8	83.1	86.9	89.2	93.0		123.9	
DATE 05-07-75	250	77.5	77.8	76.8	77.3	77.3	78.0	78.5	80.0	86.0	85.0	87.3	88.3	92.4	95.1		126.7	
RUN DBTF=MODEL 1	319	79.3	77.3	76.5	78.3	79.3	80.2	79.3	83.0	83.8	85.3	87.5	89.1	92.9	97.8		127.9	
TAPE X10420	400	74.9	73.4	76.8	76.9	77.6	77.9	78.8	80.8	81.8	83.8	82.8	89.3	91.9	92.1		125.3	
BAR 29.4 HG	500	74.8	76.6	77.6	76.3	77.2	78.4	79.7	81.2	82.2	83.2	85.4	91.1	92.1	93.3		126.1	
(99212 N/M2)	630	76.6	77.9	78.9	77.4	79.4	79.3	80.8	82.1	83.4	83.4	85.7	89.8	91.4	94.8		126.4	
TAMB 59, DEG F	800	77.9	81.1	78.9	79.3	80.0	79.5	80.4	82.6	84.0	86.5	87.9	90.5	90.4	93.7		126.7	
(288, DEG K)	1000	79.3	81.9	79.5	79.4	79.8	80.9	82.4	83.1	84.1	86.6	87.2	89.2	90.3	90.2		126.1	
TWET 51, DEG F	1250	78.7	78.9	79.1	79.0	79.7	80.7	83.6	83.2	83.7	86.4	88.3	89.5	88.9	87.7		125.8	
(284, DEG K)	1600	77.8	79.7	78.9	79.7	80.1	80.7	81.3	82.5	83.3	85.0	87.8	88.9	86.4	84.7		124.9	
HACT 0, GM/M3	2000	79.6	79.1	78.3	79.2	80.7	81.3	80.8	82.3	82.7	84.4	86.1	88.0	85.1	82.8		124.2	
(1, KG/M3)	2500	78.3	78.8	79.0	78.4	79.3	79.6	80.7	81.9	82.8	84.1	84.7	86.2	83.1	80.5		123.2	
FREQ, SHIFT	3150	76.3	77.9	78.2	78.7	78.8	79.0	79.2	80.8	81.5	83.3	84.4	85.8	81.5	79.1		122.5	
JET 0	4000	74.6	76.9	76.9	77.7	78.3	79.0	78.8	80.4	81.0	82.6	83.5	83.2	79.5	77.7		121.5	
DIAHETER RATIO	5000	74.4	76.9	76.8	77.0	77.2	79.0	78.7	80.7	81.8	82.9	82.9	83.3	78.7	77.3		121.5	
DE/DM 1.00	6300	74.2	78.5	77.9	78.0	78.5	78.6	78.6	80.3	80.7	81.8	82.8	82.6	77.7	76.2		121.4	
	8000	73.8	77.9	76.9	77.6	78.6	79.5	78.1	80.1	80.6	81.8	82.5	81.6	78.0	76.3		121.4	
	10000	72.6	77.0	77.3	76.9	77.3	78.0	77.3	78.9	80.0	81.0	82.2	81.3	77.0	75.1		121.0	
	12500	69.8	75.2	75.0	75.0	76.1	76.4	75.9	77.3	77.7	78.8	80.2	79.4	75.1	73.0		119.4	
	16000	67.0	72.5	72.0	72.6	74.5	74.5	74.6	75.4	76.4	77.7	77.0	76.3	72.3	69.9		117.7	
	20000	63.7	69.0	69.2	69.8	70.5	71.0	71.4	72.1	74.0	74.8	73.9	73.2	69.2	67.0		115.1	
	25000	60.4	66.1	66.5	67.0	68.3	69.9	69.7	70.9	71.7	71.7	69.9	69.3	65.7	63.6		112.4	
	31500	56.0	61.8	62.4	63.1	62.9	64.7	65.0	66.2	66.6	68.8	67.0	66.6	63.6	61.0		109.6	
	40000	54.5	58.7	59.2	59.5	60.1	59.6	60.1	61.7	63.1	66.4	62.0	63.8	61.7	60.2		106.9	
	50000	54.8	56.3	56.0	56.8	58.0	56.3	58.0	58.2	61.0	66.9	64.6	64.9	65.5	62.3		107.3	
	63000	56.3	55.5	54.9	55.3	58.1	55.7	56.9	57.7	61.9	69.1	63.7	66.8	65.5	64.1		110.5	
	80000	57.5	56.3	54.9	55.4	59.6	56.5	59.6	58.2	63.2	71.2	64.7	68.5	67.5	65.9		115.3	
OVERALL MEASURED		90.1	91.2	90.8	91.0	91.7	92.4	93.1	94.4	95.7	97.1	98.5	100.7	101.6	103.9		137.8	
OVERALL CALCULATED		102.1	103.1	103.0	103.4	103.8	104.4	105.0	106.4	107.4	108.9	110.0	111.7	118.1	111.4			

80

SPL INPUT AT STU REV, ALPHA 12/73	RREQ	ANGLES FROM INLET IN DEGREES (AND RADIANS)																PWL
		30	40	50	60	70	80	90	100	110	120	130	140	150	160	170	180	
NO EGA	30	70.8	68.6	68.4	67.4	67.5	68.8	69.9	69.5	69.4	69.8	71.3	70.0	72.8	72.7		110.8	
RDG, NO. 0	93	70.1	68.6	68.4	67.0	67.6	69.4	70.3	69.2	69.9	71.3	72.6	72.4	73.5	76.3		111.9	
BADIAL 40, FT.	80	70.1	67.6	69.5	68.4	69.0	69.7	70.6	70.3	71.1	73.1	75.7	75.6	78.3	80.1		114.0	
12, -4)	100	70.4	68.9	71.4	69.1	68.9	72.4	73.2	73.8	75.2	76.4	77.6	80.5	84.3	84.4		117.8	
VEHICLE JENOTS	125	74.2	68.9	69.7	70.4	70.4	73.9	73.6	75.2	76.7	79.2	80.7	83.6	86.8	88.8		120.7	
CONFIG JE#032	150	80.9	72.1	71.6	72.6	73.4	75.6	77.8	77.1	79.6	81.8	82.1	84.6	87.8	89.1		122.2	
LOC EVENDALE	200	77.5	75.5	74.3	74.0	75.0	76.5	77.3	78.5	80.0	82.8	84.1	87.1	90.0	93.5		124.5	
DATE 05-07-75	250	78.0	77.0	76.8	76.8	77.5	77.8	78.3	80.0	86.0	84.8	87.0	88.3	92.2	94.6		126.4	
BUN DBTF-MODEL 1	333	79.0	77.3	76.5	78.0	79.3	80.4	79.0	83.5	83.8	85.3	87.5	89.1	92.9	97.8		127.9	
TAPE X10430	400	75.1	73.2	77.0	76.1	77.6	77.7	78.5	80.8	82.3	84.2	83.3	89.5	92.4	97.1		125.7	
BAR 29.4 HG	500	76.8	77.6	79.3	77.5	78.4	79.1	80.4	81.9	83.2	84.2	85.7	91.4	92.8	93.3		126.7	
99246, N/42)	630	76.3	77.2	78.4	77.2	78.7	78.8	81.3	82.4	83.7	84.2	86.2	90.1	92.4	94.3		126.6	
TAMB 6.1 DEG F	800	77.9	81.6	78.9	79.5	80.0	79.5	80.4	83.1	84.3	86.5	88.7	90.3	90.9	93.2		126.8	
(289, DEG K)	1000	78.6	81.4	79.0	78.9	79.5	82.2	82.2	83.1	84.1	86.8	87.2	89.2	89.6	89.2		125.8	
THET 52, DEG F	1250	78.0	78.4	78.8	78.5	79.7	80.7	82.6	83.4	83.9	86.1	88.3	90.2	88.7	86.2		125.7	
(284, DEG K)	1600	77.8	79.7	79.4	79.5	80.6	82.0	81.8	82.5	83.3	85.5	87.3	88.2	88.1	83.7		124.7	
FACT 0, GM/M3	2000	79.3	78.3	78.3	79.9	80.5	80.3	80.8	82.1	83.0	84.1	86.1	87.5	84.1	81.5		123.8	
1, KG/M3)	2500	77.5	78.8	78.5	78.2	78.6	79.4	80.7	82.1	82.5	84.3	84.7	86.4	82.6	79.7		123.1	
FREQ, SHIPT	3120	76.0	77.4	78.0	78.2	79.1	79.5	80.0	81.1	82.0	83.8	84.9	85.6	82.5	79.6		122.7	
JET 0	4000	74.6	76.6	77.2	78.0	78.3	79.0	79.3	81.6	82.0	83.6	84.7	83.7	80.2	78.4		122.3	
DIAMETER RATIO	5000	74.4	76.4	77.3	77.3	77.7	79.5	80.2	81.7	82.8	83.7	84.4	84.1	80.9	79.3		122.5	
DF/DM 3+00	6300	74.7	78.5	77.7	78.5	78.5	79.4	79.6	82.0	82.0	83.1	84.0	83.1	80.3	79.3		122.4	
10000	8000	74.6	77.7	77.7	78.6	79.6	80.5	79.6	81.1	81.9	83.8	84.3	82.6	79.5	79.0		122.6	
12500	10000	73.1	77.6	78.1	77.9	78.6	79.5	79.6	80.9	81.7	82.8	83.7	81.3	78.3	77.9		122.4	
16000	12500	71.7	75.7	76.8	76.3	77.4	77.9	77.9	79.8	80.6	81.4	82.7	79.7	76.9	76.3		121.4	
20000	16000	68.2	73.1	73.3	74.1	76.0	76.3	76.4	77.6	78.4	78.8	80.0	77.5	74.8	73.6		117.6	
25000	20000	65.0	70.3	70.3	71.3	72.8	73.0	73.4	74.9	75.8	77.0	77.2	74.7	71.8	70.8		117.3	
31500	25000	62.5	68.2	67.4	68.5	69.6	70.5	70.4	72.2	72.7	73.5	73.0	71.1	68.7	67.4		114.6	
40000	31500	58.6	63.4	64.2	64.9	65.2	66.8	67.3	69.5	68.4	71.2	69.3	68.6	65.9	63.6		111.9	
50000	40000	56.8	60.3	60.5	61.8	62.4	62.2	64.0	64.6	67.2	64.9	65.0	63.5	61.7		108.7		
63000	50000	54.1	57.6	57.6	58.6	59.0	58.6	59.6	60.5	60.5	67.7	62.9	63.4	64.0	62.3		108.2	
80000	63000	53.3	56.3	55.9	56.1	58.4	58.7	58.2	58.5	58.4	69.6	63.7	66.9	66.1	64.1		111.8	
OVERALL MEASURED	80000	55.5	56.6	55.2	55.9	58.9	57.0	58.8	58.0	56.7	72.2	65.3	69.0	67.8	65.9		115.7	
OVERALL CALCULATED		90.5	91.2	91.1	91.2	92.0	92.7	93.5	93.0	96.1	97.6	99.0	100.8	102.0	103.9		138.1	
PND8		102.0	103.0	103.1	103.3	104.1	105.8	105.4	107.0	107.8	109.4	110.8	111.7	110.8	111.6			

ORIGINAL PAGE IS
OF POOR QUALITY

SPL INPUT AT STD BEV, ALPHA (2,7)	FREQ	ANGLES FROM INLET IN DEGREES (AND RADIAN)												PHL		
		30	40	50	60	70	80	90	100	110	120	130	140		150	160
NO EGA	50	83,1	84,1	83,4	82,9	83,2	84,3	85,9	86,8	89,1	90,8	90,0	91,5	93,3	93,2	109,3
BDG, NO. 0	80	86,1	86,6	87,0	87,4	87,0	87,9	89,3	89,8	92,3	93,6	94,7	97,4	98,5	98,4	112,5
BADIAL 40, FT. (12, M)	100	87,6	87,6	88,4	87,6	87,4	89,1	91,7	93,8	95,9	96,9	97,9	98,8	99,0	98,9	114,2
VEHICLE JENOTS	125	70,7	69,2	69,2	69,9	70,2	72,7	74,6	75,2	77,4	79,9	80,9	84,8	85,3	85,5	118,2
CONFIG JENOTS	150	76,4	72,6	72,1	73,1	73,1	75,4	77,1	77,4	80,6	81,8	82,6	85,9	88,6	90,1	121,2
LOC EVENDALE	200	76,3	76,0	73,8	73,8	74,5	75,5	76,5	78,5	80,9	83,0	85,3	89,1	91,5	93,8	122,7
DATE 05-07-75	250	79,0	79,3	77,0	77,8	77,0	78,5	78,8	81,5	87,5	88,6	90,5	92,5	95,9	97,4	125,3
BUN DBTE=MODEL	300	76,1	74,9	77,0	77,6	78,6	79,2	80,8	83,3	85,8	88,8	88,5	95,5	97,9	98,3	129,5
TAPE X10440	400	76,8	77,1	77,8	77,0	77,7	78,9	80,4	82,2	83,7	85,9	88,4	95,4	96,6	97,1	131,7
BAR 29,4 HG	500	98,3	78,2	78,7	77,4	79,2	79,0	81,3	83,1	84,9	85,2	89,7	94,6	96,1	99,3	130,7
89246, N/M2	600	78,2	80,9	78,6	79,5	79,8	80,3	81,4	84,1	85,5	88,8	90,4	93,3	98,7	98,4	129,7
TAHB 59, DEG F	800	79,3	81,4	79,3	78,9	79,8	81,2	82,4	84,1	86,1	88,6	90,2	92,9	93,1	93,2	130,2
(288, DEG K)	1000	78,5	78,7	79,6	79,0	80,0	80,9	84,4	83,7	85,7	88,6	91,6	93,0	91,9	89,7	129,1
TWET 51, DEG F	1250	77,3	79,4	78,6	79,5	80,3	81,2	82,3	83,7	85,6	87,7	90,8	91,9	88,6	87,2	128,4
(284, DEG K)	1600	77,3	79,4	78,6	79,5	80,3	81,2	82,3	83,7	85,6	87,7	90,8	91,9	88,6	87,2	128,1
WACT 0, GM/M3	2000	77,3	78,3	78,5	78,2	79,1	79,9	81,2	83,1	84,8	86,6	89,1	90,7	87,1	84,8	127,1
(1, KG/M3)	2500	77,3	77,6	77,7	78,2	79,3	80,0	79,7	82,1	83,3	85,8	86,9	87,6	83,5	81,1	126,0
FREQ, SHIFT	3120	74,3	75,9	76,7	77,5	78,3	79,3	79,8	81,4	82,7	84,8	85,7	85,2	80,2	77,9	124,9
JET	4000	74,4	76,4	76,3	76,8	77,2	78,8	79,5	81,2	82,8	84,4	85,1	84,5	79,2	77,3	124,0
DIAMETER RATIO	5000	73,7	76,7	76,2	76,8	77,5	79,1	78,3	80,3	81,7	83,3	83,3	82,8	74,2	76,0	122,9
DE/CM 1,00	6300	72,6	75,4	75,4	76,6	77,9	78,5	78,1	79,8	80,9	82,8	82,8	80,8	77,3	75,5	121,6
	8000	71,6	75,3	74,8	75,6	76,6	77,5	79,1	79,1	80,0	81,5	81,7	79,3	75,3	74,1	121,1
	10000	68,4	73,7	73,3	74,0	74,9	75,4	75,9	77,8	78,7	80,1	80,0	77,7	73,4	72,8	120,4
	12500	66,2	71,0	71,0	72,1	73,5	74,3	75,9	75,6	76,7	77,6	77,5	75,8	71,3	70,4	119,2
	16000	63,0	68,8	68,0	69,0	70,3	71,2	73,4	74,8	75,8	74,9	72,7	69,6	68,0	68,5	117,5
	20000	59,2	66,1	65,6	66,8	67,0	68,3	68,4	70,9	71,2	72,5	71,2	69,6	68,4	68,1	115,4
	25000	55,3	62,3	61,7	62,6	62,9	65,0	65,0	67,7	67,6	69,6	68,2	67,1	65,9	67,3	113,0
	31500	44,0	58,7	59,0	60,3	60,3	60,6	60,8	64,2	64,1	66,9	63,8	64,0	62,7	60,7	110,4
	40000	41,6	56,5	55,8	57,3	58,0	57,8	58,8	64,0	62,0	67,9	62,6	65,6	63,7	61,1	108,2
	50000	36,0	55,2	54,6	55,8	57,9	56,4	57,4	65,7	62,8	70,1	63,9	67,6	66,0	63,8	109,3
	63000	37,0	55,6	54,4	55,1	59,1	58,7	58,7	62,2	63,7	72,4	65,2	69,2	68,0	65,2	112,9
	80000	38,2	59,9	59,4	59,9	91,7	93,7	93,6	95,5	97,4	99,5	101,4	104,3	105,5	107,4	117,6
OVERALL MEASURED		78,2	90,9	90,4	90,9	91,7	93,7	93,6	95,5	97,4	99,5	101,4	104,3	105,5	107,4	140,4
OVERALL CALCULATED		101,8	102,7	102,6	103,1	104,0	104,9	105,5	107,4	108,9	111,1	112,6	114,2	113,4	114,4	

SPL INPUT AT STD	BEV, ALPHA 12673	RREQ	ANGLES FROM INLET IN DEGREES, (AND RADIANS)																	PWL
			30	40	50	60	70	80	90	100	110	120	130	140	150	160	170	180		
NO EGA	33	77.3	72.3	70.4	69.2	70.7	72.8	72.9	75.8	76.6	75.8	76.0	77.8	77.1	76.2	77.1	76.2	115.9		
RCG, NO, 0	80	80.4	71.6	70.3	70.4	71.5	73.7	73.6	76.6	77.8	77.9	78.7	82.1	81.5	84.9	81.5	84.9	117.2		
BADIAL 40, FT.	100	78.1	71.6	71.4	70.9	71.9	74.6	76.2	79.1	81.2	80.4	81.1	84.8	86.3	86.9	86.3	86.9	118.8		
(12, 4)	125	81.7	72.7	72.4	72.2	73.4	76.4	78.4	79.7	80.9	82.9	83.4	87.1	88.8	90.5	88.8	90.5	121.3		
VEHICLE JENOTS	180	89.4	75.6	73.9	74.9	75.4	78.6	79.6	83.7	83.7	84.9	84.9	88.1	89.8	91.6	89.8	91.6	123.5		
CONFIG JENOTS	200	84.0	77.5	74.5	75.3	76.0	78.0	78.3	80.3	82.8	85.5	88.1	91.6	93.2	98.3	93.2	98.3	125.4		
LOG EYENDALB	250	83.8	79.8	78.8	79.8	79.3	79.8	80.5	83.3	90.0	90.8	93.5	95.0	98.2	98.4	98.4	98.4	127.7		
DATE 05-07-75	315	86.8	80.0	78.8	80.0	81.8	82.7	83.5	87.0	89.0	92.6	95.0	96.4	100.7	103.3	103.3	103.3	131.6		
BUN DBTF=MODEL 1	400	82.4	78.4	80.5	79.9	81.1	82.2	83.5	86.3	89.3	92.4	93.5	99.5	102.2	102.1	102.1	102.1	134.2		
TARE X10450	500	83.8	80.3	80.8	78.8	79.4	80.9	82.4	84.7	86.7	88.7	91.4	98.9	101.1	99.3	99.3	99.3	134.7		
BAR 29.4 HG	630	83.1	80.9	80.9	80.2	80.9	82.3	83.6	85.4	88.2	89.4	93.9	98.6	101.1	101.6	101.6	101.6	133.0		
99244 N/42	800	82.2	82.9	81.1	81.3	82.0	82.5	83.4	86.4	88.3	91.5	93.9	97.3	98.7	100.9	100.9	100.9	133.9		
TAMB 59, DEG F	1000	83.3	84.1	81.0	81.1	81.8	83.7	83.2	86.8	88.6	91.8	94.4	95.4	96.1	96.4	96.4	96.4	131.4		
(288, DEG K)	1250	81.2	81.2	81.3	81.3	82.2	83.4	83.4	86.9	88.7	92.1	95.1	96.5	94.4	93.2	93.2	93.2	131.3		
THET 51, DEG F	1600	79.8	81.7	80.6	81.7	82.3	83.5	83.8	86.7	88.6	91.8	94.1	94.2	91.9	89.7	89.7	89.7	129.9		
(284, DEG K)	2000	80.8	80.1	79.5	82.6	82.7	83.8	83.8	85.8	88.0	90.9	92.6	93.0	89.8	88.5	88.5	88.5	129.0		
WACT 0, GM/M3	2500	79.3	79.5	80.2	80.2	80.8	82.1	82.9	85.6	87.5	89.8	91.0	91.4	87.6	85.2	85.2	85.2	127.7		
61 KG/M3	3150	78.5	78.9	79.5	80.2	80.8	82.5	84.6	86.8	88.8	90.4	90.4	89.6	86.5	83.1	83.1	83.1	126.8		
PREG, SHIFT	4000	76.3	77.6	77.7	79.0	80.1	82.0	82.3	84.4	86.0	87.8	88.5	86.7	82.7	80.2	80.2	80.2	125.4		
JET 0	5000	76.2	77.4	77.3	78.8	79.0	80.5	81.5	83.4	85.5	87.9	87.6	85.8	81.4	78.3	78.3	78.3	124.8		
DIAMETER RATIO	6300	75.7	77.2	77.4	78.0	79.0	79.9	80.6	82.3	84.7	85.8	85.8	84.1	79.5	75.7	75.7	75.7	123.7		
DE/DH 1.00	8000	74.1	76.4	75.9	77.1	78.1	78.5	79.4	81.8	83.4	85.8	84.8	82.4	77.3	74.5	74.5	74.5	122.9		
10000	95.1	75.3	75.3	76.4	77.1	78.0	78.1	80.9	82.5	83.7	83.5	80.1	76.0	73.6	73.6	73.6	73.6	122.0		
12500	70.4	73.4	73.5	74.5	75.9	75.9	79.4	79.0	80.7	82.8	81.5	78.9	73.9	71.5	71.5	71.5	71.5	120.0		
16000	87.5	70.3	70.5	71.6	73.5	74.5	74.5	74.9	77.4	78.2	79.6	79.0	76.8	71.8	69.4	69.4	69.4	118.7		
20000	87.2	67.3	67.2	68.8	70.3	71.0	72.4	74.4	76.5	77.3	76.4	74.4	69.5	67.8	67.8	67.8	67.8	116.6		
25000	84.4	64.6	64.9	66.0	66.8	67.8	68.2	71.2	72.7	74.8	72.4	72.3	69.7	69.1	69.1	69.1	69.1	113.9		
31500	86.3	60.3	60.4	62.1	62.7	64.5	65.6	68.5	68.9	70.8	69.2	71.1	69.6	67.3	67.3	67.3	67.3	111.7		
40000	84.8	57.7	57.7	59.0	59.6	59.9	61.1	64.5	64.8	66.4	64.3	70.0	70.2	68.0	68.0	68.0	68.0	109.9		
50000	86.8	55.5	55.3	56.1	57.7	57.3	58.5	64.0	62.5	65.2	62.9	72.9	73.0	72.1	72.1	72.1	72.1	112.1		
63000	83.0	55.2	54.1	54.6	58.1	56.4	57.4	65.7	62.4	66.3	63.1	74.6	73.0	73.8	73.8	73.8	73.8	115.3		
80000	89.2	55.6	54.1	53.9	58.9	58.7	58.7	67.5	63.7	67.9	64.5	76.2	72.5	75.9	75.9	75.9	75.9	120.2		
OVERALL MEASURED		96.8	92.9	92.3	92.8	93.5	94.7	95.8	98.0	100.3	102.7	104.9	107.5	109.2	109.8	109.8	109.8	143.5		
OVERALL CALCULATED		105.7	104.9	104.4	105.0	105.7	106.8	107.8	110.0	112.1	114.3	115.9	116.8	116.8	116.8	116.8	116.8			

ORIGINAL PAGE IS OF POOR QUALITY

SPL INPUT AT STD BEV, ALPHA 12273	ANGLES FROM INLET IN DEGREES (AND RADIAN)																		PHL
	30	40	50	60	70	80	90	100	110	120	130	140	150	160	170	180	190	200	
NO EGA	50	67,13	67,1	65,6	64,2	64,0	66,8	68,9	68,8	70,9	70,3	71,3	73,5	74,8	74,4				110,9
BEG, NO, 0	80	67,6	67,8	66,4	65,2	66,0	68,4	69,8	70,2	71,4	72,1	73,3	75,9	77,7	78,6				113,0
BADIAL 40, FT.	100	69,4	69,4	70,4	68,9	68,9	71,4	73,2	75,3	76,2	77,4	79,4	83,3	86,3	85,9				119,4
(12, 4)	125	73,2	70,4	70,4	71,2	70,9	73,9	76,4	76,7	78,4	79,9	82,2	85,6	89,3	90,0				122,1
VEHICLE JENOTS	150	80,6	74,4	73,6	74,4	74,1	76,4	78,3	78,6	81,4	82,6	83,6	87,1	89,8	90,8				123,1
CONFIG JENOTS	200	77,3	78,0	74,5	75,0	75,5	77,0	77,8	79,0	81,0	84,3	86,6	90,4	92,5	95,0				126,4
LOG EVENDALB	250	80,3	79,8	78,3	79,3	78,5	79,0	80,3	82,3	88,8	89,9	92,5	94,0	96,9	98,6				130,8
DATE 05-07-75	315	82,0	79,5	78,3	79,5	81,3	82,4	81,0	86,3	87,8	90,8	93,5	95,9	99,4	103,5				133,6
RUN DBF-MODEL 1	400	78,4	77,2	80,0	79,6	80,4	80,9	82,8	85,6	89,0	91,8	92,3	97,1	100,8	100,8				133,7
TYPE X10450	500	78,8	79,6	79,8	78,3	79,2	80,4	81,9	84,2	85,9	87,9	89,9	97,1	99,1	98,1				131,6
BAR 29,4 HG	630	80,1	79,7	79,7	78,9	80,2	81,0	82,8	84,9	87,7	88,2	92,9	97,6	98,6	100,8				132,6
(99244, N/42)	800	79,9	80,4	80,1	80,8	81,0	81,8	83,1	85,6	87,3	90,5	93,2	95,8	95,9	99,4				131,5
TAMB 61, DEG F	1000	79,1	79,4	80,3	80,1	81,3	82,2	84,4	86,1	88,1	91,1	93,2	94,9	94,8	95,2				130,5
(289, DEG K)	1250	79,7	79,4	80,1	80,3	81,7	82,4	83,1	85,9	87,7	90,6	94,1	95,2	93,9	91,4				130,2
TWET 52, DEG F	1600	78,5	79,7	79,6	80,0	81,8	83,0	83,8	85,5	87,6	89,2	92,6	93,2	90,9	88,2				128,6
(284, DEG K)	2000	79,3	78,8	78,8	80,9	82,0	82,6	82,8	85,3	86,7	88,9	91,6	92,0	88,3	85,8				127,7
HACT 0, GM/M3	2500	78,0	78,8	79,0	78,9	80,1	80,6	81,9	84,6	86,3	88,3	89,5	90,7	88,4	83,0				126,4
#1 KG/M3	3150	76,8	77,9	79,0	78,9	80,1	81,0	81,5	83,6	85,0	87,8	88,6	88,8	85,0	81,8				125,6
FREQ SHIFT	4000	74,9	76,1	76,9	78,0	79,1	80,3	80,8	82,9	84,2	86,3	87,2	86,3	85,7	79,2				124,1
JET 0	5000	74,2	75,9	75,8	77,3	78,2	79,5	80,5	83,0	84,8	86,2	86,1	84,8	79,7	77,6				123,7
DIAMETER RATIO	6300	74,4	76,5	76,2	76,8	77,8	79,4	79,3	82,0	83,0	84,8	84,5	83,1	78,8	77,0				122,6
BF/DM 1,00	8000	72,4	75,4	75,7	76,1	77,4	78,5	78,6	81,3	82,4	83,5	83,0	80,6	77,0	76,0				121,7
10000	70,6	74,3	74,8	75,4	76,6	77,5	77,6	79,6	79,6	84,2	82,5	82,2	79,3	75,5	74,4				120,9
12500	68,2	72,2	73,1	74,5	75,7	76,2	76,4	78,3	79,5	80,8	80,8	80,2	77,7	74,1	72,8				118,7
16000	65,5	70,1	70,6	71,1	73,3	74,3	74,7	76,6	77,7	78,8	77,7	75,5	72,3	70,4					118,1
20000	62,3	67,3	67,8	68,6	70,3	71,0	71,6	73,9	75,5	76,0	75,2	72,7	70,0	68,3					115,8
25000	59,0	65,4	64,9	65,8	68,8	68,1	68,7	71,0	72,0	72,6	71,5	69,4	69,7	67,9					113,2
31500	54,0	61,1	60,7	61,9	63,0	63,0	65,1	67,8	68,2	70,4	68,0	66,4	69,2	67,3					110,8
40000	53,3	58,5	57,8	59,1	59,9	60,2	61,1	64,8	64,1	67,7	63,6	62,8	69,7	68,7					109,0
50000	52,8	57,1	55,6	56,3	58,0	57,8	58,6	64,0	61,8	68,7	62,4	63,4	72,2	70,8					110,9
63000	54,3	55,8	54,7	55,9	57,9	55,7	57,7	65,5	62,2	71,1	63,9	65,1	74,6	73,6					114,3
80000	55,0	56,6	53,9	55,2	58,7	56,8	58,3	67,0	63,9	72,9	65,5	66,5	76,3	74,7					116,8
OVERALL MEASURED		91,6	91,3	91,4	91,8	92,8	93,8	94,9	97,1	99,5	101,4	103,6	106,4	107,6	109,1				142,3
OVERALL CALCULATED		102,7	103,1	103,6	103,9	105,9	105,9	106,7	108,9	110,8	113,0	114,4	115,8	119,5	119,9				

SPL INPUT AT STU BEV, ALPHA 12273	FREQ	ANGLES FROM INLET IN DEGREES (AND RADIANS)																		PHL
		30	40	50	60	70	80	90	100	110	120	130	140	150	160	00	00	00		
NO EGA	50	68.5	65.8	65.14	65.12	67.12	62.1	69.4	71.0	71.6	72.1	73.0	74.5	75.6	75.2				112.0	
BDD, ND, 0	50	70.6	67.1	66.11	66.7	67.8	68.9	69.5	72.4	72.1	73.1	75.8	76.9	79.7	80.3				114.4	
RADIAL 10, FY, 12, 4)	100	73.8	68.1	68.10	68.9	69.10	69.2	70.8	73.6	74.6	74.6	77.7	79.9	82.3	84.1				116.9	
VEHICLE JENOTS	150	77.9	70.7	70.16	69.9	69.9	74.9	74.2	76.6	78.2	78.6	80.1	84.0	87.5	87.4				120.6	
CONFIG JE=05?	200	77.9	70.7	71.14	71.9	71.9	74.7	76.9	78.2	79.9	81.2	83.4	86.8	89.5	91.0				123.3	
LOC EVENDALE	250	77.9	74.9	74.14	74.9	75.1	77.1	79.1	79.6	82.9	83.6	84.9	88.1	90.6	92.3				125.3	
DATE 05-07-75	300	77.9	77.3	75.10	75.8	75.5	77.3	78.5	79.8	82.3	85.3	87.8	91.1	93.7	96.3				127.8	
BUN DBT-MODEL	400	79.3	79.5	78.5	79.0	79.0	79.3	80.3	82.8	89.0	89.0	92.5	94.5	97.7	99.6				131.1	
TYPE X10470	500	79.3	79.5	78.5	80.0	81.5	82.4	81.3	86.3	88.0	91.8	93.8	95.1	99.4	102.3				133.1	
BAR 29.4 HG	600	80.8	79.3	80.5	79.3	80.4	80.9	83.0	85.3	88.8	91.8	92.3	97.5	99.1	100.1				133.0	
99240, N/M2)	800	79.3	79.4	79.9	79.12	80.2	80.3	82.6	84.6	86.9	88.7	90.7	92.7	96.8	97.1				131.8	
TAMB 41, DEG F	1000	80.2	82.1	80.4	80.8	81.8	82.0	82.9	85.6	87.0	91.0	92.9	95.8	98.6	99.3				132.0	
(289, DEG K)	1250	80.8	83.4	80.3	80.9	81.0	84.7	84.2	86.1	88.1	90.6	92.7	94.4	92.8	92.7				129.7	
THET (284, DEG K)	1600	79.5	79.9	80.6	80.5	81.5	82.2	85.1	86.2	87.7	90.4	93.3	95.2	91.7	89.2				129.7	
MACT 0, GM/M3	2500	78.3	78.6	79.0	81.9	82.2	82.6	82.8	85.1	86.7	88.6	91.4	91.2	87.3	84.5				128.2	
KG/M3)	3150	78.3	79.3	80.2	79.9	80.8	81.9	82.4	84.6	86.3	88.3	89.7	89.9	84.9	81.7				126.4	
REG, SNIPT	4000	77.3	78.9	79.7	80.2	81.1	81.8	82.0	84.1	85.3	87.6	88.4	89.1	85.0	81.3				125.7	
JET	5000	75.8	77.8	78.7	79.5	80.8	81.5	82.1	83.9	85.5	87.6	87.5	87.0	83.0	80.9				125.8	
DIAMETER RATIO	6300	75.7	78.7	79.2	80.0	81.0	82.4	81.8	84.0	86.0	87.9	88.4	87.3	83.4	81.5				125.5	
DF/DH -1.00	8000	74.6	78.2	79.4	80.4	81.4	82.2	81.9	84.1	84.9	87.0	86.5	85.6	83.3	82.0				125.3	
10000	73.1	77.8	78.8	79.6	81.1	81.5	81.1	83.1	84.7	86.3	86.5	84.6	82.3	81.1					125.0	
12500	71.4	76.7	77.8	78.8	80.4	80.7	80.9	82.1	84.0	84.8	84.7	83.4	80.6	79.5					124.2	
16000	70.0	74.8	75.8	77.1	79.3	79.8	79.2	81.1	82.2	83.1	82.7	82.3	79.0	77.1					123.1	
20000	66.3	72.3	73.0	74.6	75.8	76.5	77.1	78.4	80.3	80.3	80.2	78.9	76.5	74.8					120.9	
25000	66.7	70.2	70.9	72.5	73.1	73.6	74.2	75.7	77.0	78.3	78.5	76.5	74.4	72.2					118.6	
31500	60.8	65.9	66.7	67.6	68.1	68.7	70.0	70.3	72.8	72.9	74.6	73.3	72.4	71.1					115.6	
40000	60.1	62.0	63.0	64.1	64.9	64.9	65.9	68.5	69.4	69.9	68.4	67.5	67.5	69.1					112.4	
50000	57.4	58.8	59.6	60.3	61.0	61.3	62.3	65.3	66.3	65.3	64.9	65.1	65.1	71.1					111.7	
63000	53.1	56.8	56.7	57.9	59.4	59.2	59.2	66.5	63.7	66.9	63.9	65.4	64.4	70.4					114.0	
80000	52.3	57.4	55.12	55.9	59.4	57.3	58.6	67.5	63.4	67.9	64.8	66.5	66.5	74.9					118.2	
OVERALL MEASURED		73.5	92.6	92.8	93.1	94.8	93.8	95.7	97.7	99.8	101.0	103.0	106.3	108.3					142.4	
OVERALL CALCULATED		73.5	92.6	92.8	93.1	94.8	93.8	95.7	97.7	99.8	101.0	103.0	106.3	108.3					142.4	
PNRB		103.6	104.2	104.6	105.1	106.0	106.9	107.5	109.6	111.8	113.4	114.9	116.0	117.6	118.9					

ORIGINAL PAGE IS
OF POOR QUALITY

		MODEL SOUND PRESSURE LEVELS (59° DEG. F, 76 PERCENT REL. HUM. DAY - JENOTS)																PWL		
		ANGLES FROM INLET IN DEGREES (AND RADIAN)																		
		30,	40,	50,	60,	70,	80,	90,	100,	110,	120,	130,	140,	150,	160,	0,	0,	0,	PWL	
SPL INPUT AT STU		(0,52)	(0,70)	(0,87)	(1,05)	(1,22)	(1,40)	(1,57)	(1,75)	(1,92)	(2,09)	(2,27)	(2,44)	(2,62)	(2,79)	(0,	(0,	(0,		
BEV: ALPHA 12(73)		FREQ:	FREQ:	FREQ:	FREQ:	FREQ:	FREQ:	FREQ:	FREQ:	FREQ:	FREQ:	FREQ:	FREQ:	FREQ:	FREQ:	FREQ:	FREQ:	FREQ:	FREQ:	FREQ:
NO EGA	50	67,8	66,6	67,1	67,7	68,5	69,3	71,6	73,5	74,4	76,1	74,0	74,5	78,3	76,4				113,8	
BEG. NO. 0	63	69,1	68,6	66,9	68,7	70,0	71,1	72,8	73,4	74,6	77,3	76,3	77,6	79,7	80,1				115,6	
RADIAL 40, FT.	80	71,4	68,6	69,0	70,4	71,0	71,2	73,3	74,3	75,8	78,4	78,2	80,4	82,5	83,9				117,7	
VEHICLE JENOTS	100	71,1	70,4	71,4	71,1	71,1	72,9	75,2	77,3	78,5	81,1	81,4	84,5	87,8	87,9				121,3	
CONFG JENOTS	125	75,4	72,7	72,7	73,7	73,2	75,9	77,9	78,2	80,4	84,4	84,4	87,6	89,8	91,3				124,0	
DATE 05-07-75	150	64,9	77,1	75,4	76,6	76,6	78,1	80,1	79,9	83,1	85,4	85,9	88,9	91,3	92,1				125,7	
BLN CBTF-MODRL 1	200	80,0	79,3	77,0	77,3	77,8	78,5	79,0	81,3	83,3	87,3	89,3	93,1	95,2	97,5				129,1	
TAPE X10480	250	81,8	80,8	79,8	79,5	79,8	80,5	80,0	83,0	89,8	90,8	93,3	95,3	98,2	99,4				131,8	
BAR 29.4 HG	300	83,8	81,5	80,0	81,5	82,8	83,7	83,0	88,3	90,0	93,8	96,3	98,1	101,4	103,0				135,5	
YAMB 59, DEG F	400	80,6	78,9	81,8	81,1	81,9	82,2	84,8	87,3	90,0	93,8	94,5	100,0	102,2	102,3				135,1	
THET 51, DEG F	500	82,6	81,8	82,1	80,5	80,7	82,4	83,4	86,2	87,7	89,9	93,7	100,4	102,1	100,3				134,4	
WACT 0, GH/M3	600	83,6	82,4	81,9	81,2	82,4	82,3	84,8	87,1	89,4	90,9	95,7	100,3	101,9	103,3				135,4	
FREQ, SHIFT	800	82,7	85,4	82,6	83,3	83,3	83,8	84,9	87,9	89,3	92,5	95,7	98,3	98,9	101,9				134,0	
DIAMETER RATIO	1000	83,8	86,4	82,5	82,6	83,5	84,7	86,7	88,1	90,4	93,6	95,9	97,7	98,1	98,4				133,3	
DF/DH 1,00	1250	82,0	82,4	82,3	82,8	83,5	84,7	88,1	88,2	89,7	93,1	96,1	97,7	96,4	94,7				132,6	
OVERALL MEASURED	16000	80,3	82,9	81,9	82,5	83,6	85,0	86,0	88,12	89,6	92,0	95,3	95,4	93,1	91,4				131,1	
OVERALL CALCULATED	20000	81,1	80,8	80,5	83,1	84,0	84,6	85,3	87,8	89,5	91,6	93,9	94,0	90,5	88,8				130,1	
	25000	79,3	80,5	81,5	81,2	82,1	83,1	84,2	86,6	88,5	91,3	91,7	92,9	88,1	85,7				128,8	
	31500	78,3	80,1	80,0	81,2	81,8	82,8	83,5	85,6	87,5	90,1	90,6	90,6	86,8	83,6				127,6	
	40000	76,3	78,4	78,4	80,0	80,6	82,3	83,3	85,1	86,7	89,6	89,0	87,7	83,5	80,9				126,4	
	50000	75,7	77,2	77,8	79,0	80,0	81,3	82,7	85,2	86,5	88,9	88,4	86,8	81,9	79,8				125,8	
	63000	74,9	77,5	77,9	79,3	80,3	81,9	82,3	84,3	85,7	87,6	87,0	84,8	80,7	79,0				125,0	
	80000	73,8	77,1	77,2	78,4	79,6	81,2	80,6	83,3	84,4	86,5	85,5	83,1	79,5	78,5				124,1	
	100000	71,8	76,0	76,5	77,6	79,1	80,0	79,6	82,4	83,5	85,2	84,2	81,3	78,0	76,6				123,3	
	125000	69,6	74,2	75,3	76,0	77,6	78,4	79,2	80,8	82,0	83,8	82,5	79,7	76,6	74,8				122,1	
	160000	67,0	71,8	72,8	73,8	76,0	76,3	77,1	78,9	80,2	81,1	80,3	77,5	74,5	73,4				120,4	
	200000	63,12	69,3	69,7	71,3	72,3	73,0	74,6	76,6	78,0	78,5	78,2	75,2	72,2	70,8				118,3	
	250000	59,7	68,6	66,6	67,8	69,0	70,3	71,2	73,4	74,7	75,2	74,2	72,8	71,2	69,4				115,7	
	315000	55,8	63,6	62,4	64,1	64,7	67,0	68,3	70,6	70,6	71,6	71,5	71,3	70,1	68,0				113,2	
	400000	53,8	60,5	59,2	61,0	61,6	64,9	65,1	66,2	66,8	69,1	69,1	71,0	70,7	69,9				111,6	
	500000	53,1	58,3	57,0	57,8	59,0	59,0	63,0	65,2	63,2	69,1	70,4	73,6	73,2	71,1				113,4	
	630000	54,5	58,2	54,6	56,3	58,4	56,7	66,1	65,9	63,2	71,1	72,9	75,8	75,8	74,1				117,4	
	800000	55,5	58,3	54,1	55,1	58,6	57,0	68,1	67,7	63,9	73,2	74,7	78,0	78,0	75,7				122,3	
	1000000	94,0	94,3	93,4	93,9	94,7	95,7	99,1	99,2	101,2	103,6	106,1	108,7	110,0	111,1				144,6	
	1250000	104,4	105,5	105,3	106,1	106,8	107,9	108,9	111,0	112,9	115,6	116,7	118,0	117,4	117,9					

SPL INPUT AT STU BEV, ALPHA 12473	FREQ.	ANGLES FROM INLET IN DEGREES (AND RADIANS)																		PWL
		30	40	50	60	70	80	90	100	110	120	130	140	150	160	0	0	0		
NO BGA	50	66.3	65.3	65.4	64.7	68.5	68.6	67.9	67.0	67.3	79.3	71.8	73.8	75.3	79.7				113.4	
BDG, NO. 0	63	67.1	65.8	66.1	66.0	68.5	68.5	69.0	68.7	69.6	81.6	75.3	77.1	79.7	80.6				115.8	
RADIAL 40, FT.	80	68.6	67.6	68.0	68.6	70.0	70.7	71.1	71.1	72.1	84.1	77.7	80.6	82.3	84.1				118.5	
(12. H)	100	70.4	69.9	70.6	69.6	70.4	72.9	74.2	75.6	76.5	87.9	80.6	84.8	87.8	87.4				122.4	
VEHICLE JENOTS	125	73.9	71.7	71.9	72.7	73.2	73.9	76.9	77.9	78.4	91.2	83.4	86.8	89.5	91.3				125.3	
MCNFIG JENOTS	150	75.2	76.9	75.6	76.4	77.4	78.4	80.1	80.4	83.6	95.4	87.1	89.9	91.8	92.8				128.7	
LOC EVENDALE	200	79.8	79.5	77.0	77.5	78.0	79.0	80.0	82.0	84.5	98.5	91.3	94.4	96.2	96.5				132.3	
DATE 05-07-75	250	81.8	81.3	80.0	80.5	80.3	82.0	81.5	83.5	90.8	101.5	95.0	96.5	98.9	99.1				135.0	
SUN DBTF-MOORL 1	300	84.8	82.3	81.5	83.0	84.0	84.9	83.8	89.0	91.0	105.5	98.0	99.1	103.2	105.3				139.0	
TARE X10490	400	81.6	80.7	83.8	82.4	83.4	83.4	86.3	88.3	91.5	105.6	97.3	102.8	104.4	104.3				139.6	
BAR 29.4 HG	500	85.6	84.6	84.6	82.5	83.2	84.1	85.9	88.4	90.2	102.4	96.2	103.6	105.6	102.8				138.6	
99240, N/M2)	600	85.3	85.4	84.9	83.7	84.4	84.5	86.8	88.9	91.9	103.9	98.9	104.1	105.4	103.3				139.7	
TAMB 59, DEG F	800	85.9	86.6	85.1	85.0	85.5	85.8	87.1	89.9	91.5	105.3	97.9	101.8	102.2	105.4				139.1	
(288, DEG K)	1000	86.8	87.9	85.3	85.4	86.0	86.9	88.7	90.3	92.6	106.1	98.7	100.9	101.6	101.9				139.1	
THET 51, DEG K)	1200	84.7	84.7	84.8	85.5	86.0	87.2	90.1	91.2	92.2	105.9	99.8	101.2	100.4	98.9				138.8	
(284, DEG K)	1600	83.5	85.7	84.4	85.0	86.3	87.5	88.8	90.5	92.3	104.7	98.3	97.9	97.1	96.2				137.3	
WACT 0, GM/M3	2000	83.8	83.8	83.3	85.9	86.7	87.1	88.3	90.1	92.2	104.9	96.9	97.0	95.1	93.0				137.0	
KG/M3)	2500	82.5	83.5	83.7	83.7	84.6	85.9	87.4	89.6	92.0	104.2	94.7	95.4	92.4	91.2				136.0	
FREQ SHIFT	3100	80.8	82.4	82.7	83.9	84.5	85.5	86.2	88.6	90.8	103.3	94.1	93.1	90.8	89.1				135.2	
JET 0	4000	78.8	80.9	80.9	82.5	83.3	84.5	85.8	88.1	90.5	102.6	92.2	90.7	87.2	84.9				134.3	
DIAMETER RATIO	5000	77.9	79.9	80.3	81.5	82.5	84.3	85.2	87.4	90.0	101.9	91.4	88.8	84.9	81.8				133.6	
DF/DM 1.00	6300	77.2	79.5	79.4	81.0	82.0	83.6	84.6	86.8	88.7	100.8	89.5	87.1	83.0	79.2				132.6	
10000	8000	76.1	78.6	78.7	79.2	81.4	82.9	83.1	85.8	87.4	99.6	88.0	85.1	82.0	77.3				131.2	
12500		74.6	77.3	77.5	79.1	80.6	81.5	82.1	84.6	86.2	97.5	86.7	82.8	78.5	75.4				130.1	
16000		72.4	75.9	76.0	77.5	78.6	79.9	81.2	83.0	84.2	95.8	85.0	81.2	76.1	73.5				128.7	
20000		69.0	73.0	73.5	74.6	76.3	77.8	78.9	80.9	82.9	93.6	82.7	79.3	74.0	71.1				126.9	
25000		65.7	69.8	69.7	71.5	73.0	74.2	76.1	77.9	80.0	90.5	79.4	76.7	71.7	69.0				124.3	
31000		62.4	66.9	66.9	68.3	69.3	71.0	72.2	74.9	76.2	87.0	75.9	74.3	70.9	68.6				121.4	
40000		58.3	62.8	62.4	64.1	64.9	66.5	69.0	71.2	72.1	83.3	73.2	72.8	70.4	67.5				118.5	
50000		55.8	59.7	59.7	61.0	61.6	64.4	65.6	67.2	67.8	78.2	70.6	72.0	71.2	69.7				115.7	
63000		56.1	57.3	56.5	57.8	58.5	64.0	65.3	65.7	64.0	76.6	71.4	74.6	73.2	71.1				115.8	
80000		57.3	55.7	55.9	55.6	57.6	64.4	66.4	66.7	62.7	76.8	73.9	77.1	76.0	73.6				119.4	
OVERALL MEASURED		58.2	55.8	55.1	54.4	57.9	66.5	68.1	68.0	63.4	77.9	75.2	78.7	78.0	75.7				123.6	
OVERALL CALCULATED		95.8	96.4	95.6	96.0	96.8	97.8	99.2	101.3	103.5	116.3	108.8	111.6	112.8	113.0				149.7	
PNdB		106.8	107.8	107.4	108.3	109.0	110.1	111.2	113.4	115.7	128.1	119.6	120.5	120.4	120.1					



☆ 10 dB TOO HIGH

ORIGINAL PAGE IS OF POOR QUALITY

SPL INPUT AT STU REV: ALPHA 12473	ANGLES FROM INLET IN DEGREES (AND RADIANS)																PWL	
	30	40	50	60	70	80	90	100	110	120	130	140	150	160	0	0		0
NO EGA	50	55.1	65.3	66.4	67.7	69.0	69.6	70.1	71.5	72.6	86.6	84.3	74.8	76.6	76.9			
RDG. NO. 0	53	67.1	66.0	67.1	68.5	69.5	70.4	71.0	71.4	73.6	88.8	86.7	78.1	80.7	81.3			
BADIAL 40, FT.	180	71.6	71.9	72.6	71.6	72.1	73.6	75.4	76.8	78.5	91.4	82.1	85.8	89.0	88.7			
VEHICLE JENOTS	160	82.9	78.4	77.4	78.4	78.1	79.6	80.8	80.9	84.4	98.9	87.6	90.9	91.8	94.1			
CONFIG JENOTS	200	91.0	80.8	78.8	79.0	79.3	79.5	80.5	82.8	85.3	99.8	91.8	95.6	99.0	99.0			
LOC EVENDALE	250	92.5	82.3	80.5	81.0	80.5	81.5	82.0	84.3	90.3	101.3	94.5	96.8	99.7	100.1			
DATE 05-07-75	312	94.8	82.0	81.3	82.8	83.8	84.9	83.8	89.0	90.5	104.8	97.8	99.1	102.4	105.5			
BUN DRFT MODEL 1	400	91.1	80.4	83.0	81.9	83.1	83.4	86.0	87.8	91.8	105.1	96.3	102.0	103.4	103.1			
TAPE X10500	500	93.8	83.6	83.8	81.8	82.7	83.6	85.4	87.9	89.9	101.9	96.2	103.1	104.6	102.3			
BAR 29.4 HG	630	95.1	84.2	84.2	82.7	84.2	84.6	86.8	88.6	91.4	103.4	98.2	102.8	103.6	104.1			
199240, N(42)	800	94.4	84.4	84.9	85.0	85.3	85.3	86.6	89.4	91.3	104.5	97.7	101.0	101.4	103.9			
TAMB 59 DEG F	1000	96.6	82.9	84.3	84.4	85.0	86.4	88.2	90.1	92.1	105.6	97.7	99.9	100.3	100.2			
(288, DEG K)	1220	94.7	83.7	84.3	84.3	85.0	86.4	89.6	89.7	91.7	105.1	98.3	100.5	100.6	101.2			
TWET 51 DEG F	1600	92.3	83.9	83.4	84.2	85.1	86.5	87.8	90.0	91.6	104.5	97.6	97.7	98.1	94.7			
(284, DEG K)	2000	92.8	82.3	81.8	84.9	86.0	86.3	87.0	89.3	91.3	104.1	95.9	95.7	93.3	92.5			
WACT 0, GM/M3	2500	91.0	82.0	83.0	82.9	83.3	84.6	88.2	88.9	92.0	103.1	93.5	94.7	90.6	89.0			
1, KG/M3	3120	90.0	81.1	81.7	82.9	83.3	84.5	85.5	87.8	89.8	102.8	93.1	93.1	88.8	86.6			
FREQ. SHFT	4000	77.6	79.9	80.4	82.0	82.3	83.0	84.5	86.9	88.2	101.3	91.2	90.0	88.5	82.9			
JET	5000	77.4	79.2	79.8	80.8	81.7	83.5	84.7	86.9	88.8	101.4	90.8	88.0	84.2	81.3			
DIAMETER RATIO	6300	75.9	79.2	79.4	81.0	81.8	83.1	83.6	86.5	88.9	99.8	88.8	86.3	82.7	81.8			
DEADM -1.00	8000	75.3	78.4	79.4	80.6	81.9	82.9	83.4	85.6	86.9	98.8	87.3	84.8	81.5	81.0			
10000	73.8	77.5	78.3	80.4	81.1	81.7	81.8	84.1	85.7	97.6	86.2	83.8	80.0	79.9				
12500	71.4	76.2	77.3	78.5	79.6	80.9	80.9	83.0	84.2	95.8	84.7	82.2	79.1	77.8				
16000	68.5	74.0	75.0	76.3	78.5	78.8	79.4	81.1	82.4	93.6	82.5	80.3	77.3	75.4				
20000	65.2	70.0	72.0	73.8	74.8	76.0	76.6	78.9	80.0	90.8	80.2	77.7	74.5	73.3				
25000	61.7	68.4	69.1	70.8	71.5	73.0	74.2	75.9	77.2	88.0	76.7	74.8	72.2	71.1				
31500	57.1	64.4	64.9	66.9	67.9	70.2	71.0	72.7	73.1	84.6	74.2	73.1	70.9	68.3				
40000	55.8	61.2	61.7	63.8	64.1	66.1	67.3	68.5	69.1	81.1	70.8	70.8	70.2	68.9				
50000	55.8	57.8	59.0	60.6	60.7	64.8	65.5	67.0	65.5	80.8	71.6	72.6	72.2	71.1				
63000	47.3	56.0	56.4	57.6	59.4	64.6	66.6	66.7	64.4	81.0	73.1	74.1	74.3	73.6				
80000	38.2	55.6	54.9	55.9	59.4	68.5	69.6	68.0	63.8	83.4	75.0	76.2	76.2	74.9				
OVERALL MEASURED		95.3	94.9	95.1	95.6	96.3	97.4	98.7	100.8	103.0	115.9	108.1	111.0	111.9	112.3			149.1
OVERALL CALCULATED		105.9	106.8	107.0	107.8	108.3	109.5	110.6	112.9	115.0	127.6	118.8	120.0	119.5	119.3			



★ 10 dB TOO HIGH

150

SPL INPUT AT STD BEV, ALPHA (2/7)	REQ	ANGLES FROM INLET IN DEGREES (AND RADIANS)																		PWL
		30	40	50	60	70	80	90	100	110	120	130	140	150	160	170	180	190	200	
NO EGA	30	71.3	69.8	68.9	68.2	67.2	70.3	69.6	70.8	71.6	82.3	74.0	76.0	78.1	79.4	79.4	79.4	79.4	118.7	
BADIAL 40, FT, (12, M)	100	74.9	73.4	73.9	72.9	72.9	74.4	76.4	77.8	79.0	90.6	82.9	87.3	98.0	90.2	90.2	90.2	90.2	125.0	
VEHICLE JENOTS	150	86.1	78.4	76.9	74.4	74.4	77.2	79.1	79.4	81.2	93.2	85.7	89.1	91.8	93.8	93.8	93.8	93.8	129.9	
LOG BYENDALR	220	83.8	82.0	80.5	80.8	81.0	82.0	82.5	84.5	91.3	101.8	95.5	97.3	100.7	100.6	100.6	100.6	100.6	135.7	
DATE 05-07-75	313	85.0	82.8	81.5	82.5	83.4	83.8	83.9	84.6	89.0	91.0	104.5	97.8	98.9	102.9	102.5	102.5	102.5	138.5	
BUN DBTF-MODEL	400	81.9	79.9	83.3	82.4	83.4	83.9	86.3	88.6	91.5	103.6	96.8	102.0	103.9	103.1	103.1	103.1	103.1	139.9	
TARE X10510	500	84.8	83.6	84.1	82.0	82.9	84.1	85.7	88.4	90.2	102.2	95.4	102.6	104.8	101.3	101.3	101.3	101.3	137.9	
BAR 29.4 HQ	630	84.6	83.7	83.9	82.7	84.2	84.5	86.6	89.4	91.9	103.2	98.9	102.8	103.6	103.3	103.3	103.3	103.3	138.5	
(99240, N/42)	800	84.4	84.6	84.6	85.0	85.0	85.3	86.9	89.6	91.9	105.6	97.7	100.8	100.7	103.4	103.4	103.4	103.4	138.4	
YAMB 59, DEG F	1000	85.3	84.9	84.0	84.1	85.0	86.4	88.2	90.1	92.6	105.8	98.4	99.7	99.6	99.2	99.2	99.2	99.2	138.4	
(288, DEG K)	1250	82.0	84.4	83.8	84.3	85.0	86.2	89.1	90.4	91.7	105.4	98.6	99.7	99.9	99.7	99.7	99.7	99.7	137.9	
THET 51, DEG F	1600	82.8	84.7	83.6	84.5	85.1	86.7	88.3	90.0	91.8	104.5	97.3	99.7	95.1	92.7	92.7	92.7	92.7	136.7	
(284, DEG K)	2000	81.3	82.3	82.0	85.4	85.7	86.6	87.3	89.3	91.2	103.9	95.9	95.5	92.8	91.0	91.0	91.0	91.0	135.9	
HACT 0, GM/M3	2500	81.3	82.5	84.0	83.4	83.6	85.1	86.4	89.1	90.5	103.7	94.2	93.7	90.1	88.2	88.2	88.2	88.2	135.1	
(1, KG/M3)	3120	80.0	81.9	83.2	84.3	84.3	85.3	86.0	88.3	89.8	102.3	92.9	92.6	88.5	86.1	86.1	86.1	86.1	134.2	
PREQ, SHIFT	4000	78.8	81.1	82.2	83.0	83.8	85.0	85.5	87.9	89.7	101.8	91.5	90.7	87.0	83.9	83.9	83.9	83.9	133.7	
JET	5000	78.2	80.4	81.5	82.8	83.2	85.0	86.0	88.4	90.8	102.9	91.9	90.5	87.2	85.0	85.0	85.0	85.0	134.6	
DIAMETER RATIO	6300	77.9	80.7	82.4	83.3	85.0	85.9	86.1	88.3	89.4	101.6	91.5	90.3	87.7	87.2	87.2	87.2	87.2	133.8	
DF/DM 1.00	8000	77.1	80.9	82.4	83.1	84.9	85.7	85.9	88.3	89.1	101.6	90.8	90.4	89.5	88.3	88.3	88.3	88.3	133.5	
10000	76.3	80.8	82.5	83.1	84.3	85.2	85.6	88.1	89.2	100.7	90.5	88.8	87.0	86.9	86.9	86.9	86.9	86.9	133.5	
12500	74.1	79.7	81.5	82.5	83.9	84.1	84.9	86.5	87.8	99.3	89.0	87.9	85.9	84.8	84.8	84.8	84.8	84.8	132.5	
16000	71.7	77.8	79.3	80.3	82.5	83.3	83.4	85.1	86.4	97.6	86.7	86.3	83.5	82.9	82.9	82.9	82.9	82.9	131.2	
20000	69.0	75.5	76.7	78.3	79.8	80.2	81.4	83.1	84.5	95.8	84.7	83.7	81.2	80.0	80.0	80.0	80.0	80.0	129.7	
25000	65.7	73.6	74.6	75.5	76.5	76.0	78.7	80.7	81.7	92.7	81.2	80.6	78.7	77.1	77.1	77.1	77.1	77.1	127.3	
31500	61.5	69.4	70.7	71.9	72.7	75.0	75.3	77.9	77.9	89.6	78.5	77.1	76.1	74.3	74.3	74.3	74.3	74.3	124.6	
40000	58.8	66.2	67.5	68.5	69.6	70.4	71.3	73.2	74.8	85.1	74.3	74.0	73.7	71.9	71.9	71.9	71.9	71.9	121.2	
50000	50.3	63.0	64.3	64.8	67.0	67.8	68.3	70.2	70.8	83.1	72.1	73.4	73.7	72.3	72.3	72.3	72.3	72.3	120.2	
63000	39.3	60.2	60.4	61.1	66.9	68.9	68.9	67.7	66.7	82.6	72.9	74.6	75.3	74.1	74.1	74.1	74.1	74.1	121.7	
80000	38.5	57.8	56.4	57.4	67.9	68.5	67.6	67.0	65.2	83.9	74.5	76.0	78.0	75.4	75.4	75.4	75.4	75.4	125.8	
OVERALL MEASURED																				
OVERALL CALCULATED		95.8	95.7	96.0	96.4	97.3	98.3	99.5	101.7	103.7	116.8	108.5	110.9	118.0	112.1	112.1	112.1	112.1	149.5	
RNR		106.5	107.3	108.1	108.4	109.2	110.4	111.3	113.6	115.3	127.9	119.3	120.0	120.0	119.8	119.8	119.8	119.8		



☆ 10 dB TOO HIGH

ORIGINAL PAGE IS OF POOR QUALITY

ANGLES FROM INLET IN DEGREES (AND RADIANS)

SPL INPUT AT STD BEV, ALPHA 12473	FREQ.	ANGLES FROM INLET IN DEGREES (AND RADIANS)																PWL
		30	40	50	60	70	80	90	100	110	120	130	140	150	160	180	190	
NO EGA	30	75,3	75,8	75,9	75,7	75,7	76,6	77,4	78,3	78,9	91,3	83,3	86,3	89,8	100,9			129,1
BDG, NO. 01	80	78,3	78,6	78,6	78,7	79,5	79,9	80,8	81,2	81,9	90,2	87,3	90,6	94,0	101,3			130,2
BADIAL 40, FT.	100	80,4	81,6	81,3	81,4	81,0	81,4	83,3	83,6	84,6	93,9	90,2	94,1	97,3	103,1			132,7
(12, X)	125	87,4	86,4	86,2	86,7	85,7	88,2	90,4	90,7	92,2	101,7	97,7	102,1	104,8	107,8			136,4
VEHICLE JENOTS	150	93,1	90,1	89,4	89,4	89,1	90,9	93,6	93,4	96,1	98,4	99,4	103,1	105,8	106,6			140,0
CONFIG JE=059	200	92,0	91,5	90,0	89,3	89,8	91,0	92,5	93,8	95,8	99,8	103,6	107,6	110,0	112,5			143,5
LCC EVENDALE	220	93,8	93,3	91,8	91,5	91,3	92,3	93,0	94,5	94,5	98,0	100,0	102,0	106,3	110,0			144,8
DATE 05-07-75	315	94,5	92,8	91,5	91,3	91,0	94,2	93,8	97,8	98,5	103,5	103,5	108,5	111,1	114,9			147,0
RUN DBTF=MODEL 1	400	91,9	90,2	92,3	92,1	93,4	94,2	96,3	98,6	100,8	105,1	107,0	113,0	116,4	112,1			147,8
TAPE X10330	500	95,6	95,1	95,3	93,8	94,2	95,9	97,7	99,9	101,4	103,7	107,4	114,9	118,6	114,1			148,7
BAR 29,4 HG	630	97,1	95,9	95,2	93,9	95,2	97,3	97,8	99,9	102,7	105,4	110,2	115,1	118,9	116,6			150,4
199148, N/M2)	800	97,1	95,9	95,2	96,3	96,8	97,0	98,6	101,4	103,8	107,5	109,9	113,3	114,7	115,4			148,6
TAMB 67, DEG F	1000	97,1	93,9	93,8	93,4	93,5	96,9	99,4	101,3	103,9	107,3	109,7	110,7	113,1	111,2			146,9
(293, DEG K)	1250	95,2	95,2	95,1	95,5	96,5	97,7	100,7	101,4	103,2	107,1	109,8	110,5	109,9	108,2			146,0
THET 56, DEG F	1600	93,0	95,2	94,9	95,7	96,6	98,0	100,0	101,5	103,6	106,7	108,8	108,0	107,1	105,2			144,7
(286, DEG K)	2000	94,8	94,4	93,8	96,9	97,5	98,1	99,5	101,1	103,7	105,9	107,4	107,2	105,8	104,0			144,0
HAQT 0, GM/M3	2500	93,0	94,4	95,0	94,9	96,3	97,9	99,7	101,4	103,8	105,6	106,2	106,2	104,4	102,0			143,3
1, KG/M3)	3150	92,8	94,6	94,7	96,4	97,3	98,5	99,7	101,6	103,4	105,8	105,6	105,3	104,3	102,8			143,3
FREQ, SMIFT	4000	92,3	93,9	94,5	96,5	97,8	99,5	100,5	102,4	104,5	106,4	105,5	105,5	104,5	102,5			143,7
JET	5000	92,9	93,9	94,5	96,5	97,7	99,8	101,4	103,4	106,2	106,4	106,6	106,5	105,4	102,8			144,8
DIAMETER RATIO	6300	93,4	95,4	95,1	97,7	99,0	100,6	101,8	104,0	106,4	107,3	107,2	108,1	106,5	103,5			145,6
DE/DH = 1.00	8000	93,8	96,4	96,4	98,6	99,0	100,9	102,3	104,0	106,8	107,7	107,5	108,1	106,2	103,7			146,2
	10000	94,0	98,0	97,7	99,6	100,3	100,9	101,8	104,6	106,7	107,4	107,2	107,3	104,7	102,6			146,2
	12500	94,6	100,6	100,5	100,9	102,1	101,3	101,9	104,6	105,2	106,3	105,9	106,1	103,6	101,2			145,9
	16000	93,4	99,5	100,2	101,3	102,4	101,7	101,6	102,8	103,3	103,7	103,4	103,1	101,2	99,5			145,0
	20000	89,4	95,0	96,2	99,0	100,5	99,9	99,8	100,1	101,2	101,2	101,4	101,1	99,2	96,7			143,1
	25000	85,9	92,1	92,9	95,2	96,0	97,5	99,6	99,9	98,9	98,7	97,6	98,3	96,4	93,6			140,7
	31500	82,0	88,1	88,9	91,8	92,4	93,9	93,8	95,2	95,1	96,6	95,5	95,3	93,9	89,8			138,2
	40000	79,0	85,0	85,5	88,5	89,1	89,7	89,9	91,5	92,1	92,1	91,9	92,0	90,7	87,5			135,5
	50000	76,1	81,3	82,1	85,1	85,5	86,3	86,6	87,8	88,4	91,9	89,2	90,4	89,0	85,9			133,8
	63000	75,4	78,4	79,0	81,5	82,5	82,5	83,3	85,1	86,1	91,9	87,3	89,5	89,2	86,5			134,3
	80000	75,6	75,5	75,8	78,3	79,8	80,4	81,4	82,9	82,3	93,3	86,9	90,6	89,4	87,3			137,3
OVERALL MEASURED																		
OVERALL CALCULATED		107,7	109,8	109,3	110,5	111,4	112,1	113,3	115,1	117,8	119,3	120,8	123,3	123,2	123,7			159,7
PNRB		138,8	119,8	119,8	121,1	122,1	123,5	124,9	126,8	129,3	131,5	131,8	133,2	136,2	132,6			

06

152

SPL INPUT AT STD REV, ALPHA 12,7)	ANGLES FROM INLET IN DEGREES (AND RADIAN)																PHL
	30,	40,	50,	60,	70,	80,	90,	100,	110,	120,	130,	140,	150,	160,	170,	180,	
VEHICLE	90,6	69,8	69,9	70,4	71,5	73,3	74,1	72,3	73,4	74,1	77,3	79,8	82,8	86,4			117,6
NO EGA	92,3	71,8	71,6	72,2	73,5	73,6	74,8	75,4	75,6	77,3	80,3	83,6	86,7	89,6			120,8
BDG, NOV	94,9	74,9	75,3	75,9	75,3	75,4	76,6	77,6	78,3	80,4	84,2	87,9	90,5	93,1			124,4
RADIAL 40, FT.	77,9	77,6	77,9	77,1	77,4	78,6	80,9	81,8	83,2	85,1	87,9	92,3	95,8	96,4			128,6
12, M)	80,4	78,9	78,9	79,7	78,9	81,4	83,9	84,2	85,9	87,9	90,7	94,6	97,0	99,0			130,7
VEHICLE	87,1	82,9	82,1	82,6	82,9	83,4	85,6	86,9	89,6	90,9	93,1	96,6	98,8	101,3			133,1
CONFIG JEN059	85,8	84,8	82,5	83,0	83,3	84,8	86,3	87,3	89,0	92,8	96,8	100,9	102,7	105,5			136,5
LOG EVENDALB	87,3	87,0	85,5	85,0	85,5	86,0	86,3	88,3	94,5	95,5	100,0	103,0	105,9	104,6			138,5
DATE 09-07-75	88,5	86,0	85,5	87,0	88,3	88,7	87,5	92,3	94,3	98,8	102,5	103,6	108,7	108,8			141,0
SUN ORTF=MODEL 3	88,8	84,2	86,8	86,4	87,1	88,2	90,0	91,8	94,8	99,3	100,5	106,3	108,9	106,8			141,1
TYPE X10530	88,8	88,3	88,6	86,8	87,9	88,9	90,4	93,2	94,4	96,9	101,7	108,9	110,8	106,8			142,6
BAR 29,4 HG	89,1	88,9	88,9	87,2	88,9	89,0	91,1	93,4	96,7	98,7	104,4	109,3	111,1	107,6			143,3
99178, N/M2)	89,2	88,6	89,4	89,3	89,8	89,8	91,4	94,1	96,5	100,3	103,9	108,3	108,4	108,2			142,3
TAMB 83, DEG F	89,6	87,9	88,8	88,6	89,0	90,9	92,4	94,3	97,1	100,6	103,9	105,9	105,6	103,2			140,5
(290, DEG K)	88,0	88,2	88,6	89,3	89,5	91,4	93,4	94,7	96,7	100,6	104,8	106,5	103,2	101,2			140,4
TWET 93, DEG F	87,0	88,4	88,1	88,7	89,8	91,5	92,8	94,2	95,8	99,5	102,8	102,7	101,4	98,2			138,3
(285, DEG K)	87,8	87,3	87,3	89,6	90,5	90,8	91,8	94,1	96,0	99,1	101,6	101,7	99,6	96,5			137,5
WACT 0, GM/M3	86,0	87,3	88,2	88,2	88,6	90,1	91,4	93,4	96,0	98,1	99,5	100,2	97,4	93,0			136,1
1, KG/M3)	84,8	87,4	88,5	89,2	89,6	90,1	91,2	92,6	95,0	98,3	98,9	98,6	95,8	91,8			135,6
FREQ SWIPT	83,9	86,6	88,2	89,0	89,6	90,8	91,8	93,4	95,0	98,1	97,0	96,5	95,2	90,4			134,9
JET 0	84,2	86,9	88,0	89,3	89,7	91,8	92,5	95,2	96,5	98,9	98,4	96,8	93,7	91,5			135,9
DIAMETER RATIO	85,2	88,0	89,2	91,0	91,3	92,9	93,3	95,1	97,5	100,1	99,3	97,9	95,5	93,8			137,1
DF/DM 1,00	85,1	88,7	90,4	90,9	92,4	93,7	93,6	95,8	97,9	100,5	99,6	99,6	97,0	96,5			138,1
10000	86,1	89,1	89,6	92,1	92,3	93,5	94,1	96,7	98,5	100,3	99,8	99,6	98,1	97,9			138,7
12500	84,2	88,5	89,6	91,0	92,2	93,2	93,7	95,8	98,0	99,9	98,8	99,2	99,7	97,8			138,5
16000	83,5	87,8	89,3	90,6	92,1	93,8	92,7	94,7	96,2	98,4	97,5	98,3	97,8	97,9			137,9
20000	82,5	88,3	89,8	91,9	91,1	91,1	90,7	92,2	94,3	95,6	95,2	97,2	97,3	96,8			136,8
25000	77,3	84,2	85,5	86,1	86,3	87,6	87,7	90,0	91,5	93,0	90,8	92,4	91,3	91,0			133,4
31500	73,9	81,2	82,0	83,2	83,0	84,8	85,1	87,3	87,4	89,4	88,1	88,9	88,7	87,4			130,7
40000	70,8	76,5	78,3	79,6	79,9	80,4	81,2	82,6	83,9	85,5	83,2	84,6	85,0	85,3			127,5
50000	67,5	72,1	74,3	75,4	75,1	76,3	76,9	78,8	80,1	83,0	80,0	81,9	82,0	84,1			125,4
63000	67,6	68,1	70,0	71,2	72,2	71,5	73,6	77,8	77,8	82,9	76,7	80,4	80,9	83,2			125,8
80000	68,3	65,4	66,7	66,7	68,7	68,8	70,1	77,8	75,2	83,7	76,8	80,0	79,3	86,0			128,7
OVERALL MEASUREMENT																	152,8
OVERALL CALCULATION	100,4	101,8	102,0	102,8	103,4	103,4	105,3	107,4	109,5	112,4	114,5	117,2	118,3	116,7			
PNDP	111,3	112,6	113,4	114,1	114,6	115,8	116,8	118,9	120,8	123,7	125,2	126,4	126,5	126,5			

ORIGINAL PAGE IS
OF POOR QUALITY

SPL INPUT AT STD BEV, ALPHA 12273	FREQ	ANGLES FROM INLET IN DEGREES (AND RADIAN)																		PWL
		30	40	50	60	70	80	90	100	110	120	130	140	150	160	0	0	0		
NO EGA	50	86.1	86.3	86.4	86.7	87.5	87.3	87.4	88.5	89.6	91.8	93.5	95.8	97.3	98.9	100.0	101.0	101.0	115.2	
BDG. NO. 0	63	88.3	88.8	89.1	89.0	90.0	90.6	90.5	91.7	92.6	94.0	95.7	97.3	98.9	100.0	101.0	101.0	101.0	118.0	
RDIAL 40' FT.	80	90.1	91.1	91.3	91.9	92.8	92.4	93.3	94.3	95.8	97.6	99.7	101.7	103.9	106.0	108.1	110.1	112.1	120.8	
12' M	100	94.4	94.1	95.1	93.9	93.6	92.4	91.9	91.1	89.2	81.6	84.9	88.3	92.0	93.8	96.0	98.4	101.1	125.1	
VEHICLE JEN010	125	77.4	75.7	75.7	76.9	76.4	78.7	80.4	81.2	82.2	85.2	87.2	91.1	93.8	96.0	99.8	103.8	108.0	127.5	
CONFIG JEN010	160	84.1	80.9	80.13	80.9	80.11	82.6	83.6	83.6	86.9	88.6	90.4	93.9	96.6	99.8	103.2	106.6	110.1	130.9	
LOC EVENDALE	200	85.3	83.3	83.5	83.3	83.8	84.3	84.3	86.0	87.8	91.0	94.8	98.0	101.2	105.2	109.2	113.1	117.1	135.0	
DATE 05-07-75	250	86.8	84.8	83.8	85.0	86.5	86.9	86.3	91.3	93.5	98.0	101.4	105.8	109.2	113.1	117.1	121.0	125.0	140.2	
RUN DBTC=MODEL 1	300	83.9	82.9	85.0	84.4	85.1	89.7	88.0	91.1	93.5	98.1	101.4	105.8	109.2	113.1	117.1	121.0	125.0	141.9	
TYPE X10510	500	88.3	88.1	87.3	85.3	86.4	86.9	88.9	91.7	93.7	96.4	100.2	108.4	110.1	106.6	101.0	96.0	91.0	142.6	
BAR 29.4 HG	630	90.1	88.7	87.7	86.9	87.7	87.8	89.6	92.4	94.9	97.2	103.4	108.8	109.1	108.6	107.4	107.4	107.4	141.8	
499212; N/M2	800	90.1	90.9	89.6	88.8	89.0	88.8	90.4	93.6	95.0	99.0	102.9	107.3	109.4	109.4	109.4	109.4	109.4	141.8	
TAMB 83; DEG F	1000	91.3	91.6	88.5	88.9	89.0	90.2	91.7	93.6	96.1	99.8	103.4	106.4	107.3	107.2	107.2	107.2	107.2	141.3	
(290; DEG K)	1220	101.0	98.2	98.6	88.3	89.7	90.7	92.6	93.9	95.7	99.9	104.6	107.2	107.2	107.2	107.2	107.2	107.2	141.4	
WET 33; DEG F	1600	98.0	88.9	87.9	88.2	89.6	91.0	91.8	94.0	95.8	99.0	103.1	104.2	105.1	103.4	103.4	103.4	103.4	139.6	
(285; DEG K)	2000	88.6	86.8	86.3	88.9	89.7	91.6	93.6	95.7	98.6	101.6	102.7	104.1	104.1	104.1	104.1	104.1	104.1	138.6	
WACT 0; GM/M3	2500	95.8	86.8	86.7	86.9	87.6	88.9	90.4	93.1	95.5	98.3	101.5	100.7	100.9	98.2	98.2	98.2	98.2	136.7	
1; KG/M3	3120	84.8	85.4	86.2	86.4	87.3	88.3	89.7	92.3	94.3	97.6	98.6	99.3	98.5	95.1	95.1	95.1	95.1	135.5	
FREQ. SHIFT	4000	82.4	83.9	84.2	85.8	86.6	88.3	88.8	91.9	94.0	96.3	97.0	96.5	94.5	90.2	90.2	90.2	90.2	133.8	
JET	5000	81.4	83.4	83.8	84.8	85.7	87.3	88.7	91.7	93.8	96.4	95.9	94.6	90.7	86.6	86.6	86.6	86.6	133.0	
DIAMETER RAT.10	6300	80.2	83.7	83.7	84.8	86.6	87.6	88.3	90.3	92.7	95.6	94.5	91.9	88.3	85.5	85.5	85.5	85.5	132.0	
DE/DM 1.00	8000	79.4	83.2	83.4	84.7	85.4	87.5	87.6	89.8	91.9	93.5	93.1	90.4	86.0	83.3	83.3	83.3	83.3	131.1	
10000	78.1	81.8	82.8	83.9	85.1	86.3	86.9	89.2	90.8	92.5	91.0	87.4	84.8	83.7	83.7	83.7	83.7	83.7	130.1	
12500	75.7	80.5	81.6	82.3	83.9	85.2	85.9	88.1	89.3	91.4	90.3	86.5	82.9	81.8	81.8	81.8	81.8	81.8	129.3	
16000	73.3	77.8	78.8	80.1	82.6	83.1	83.9	85.9	87.5	88.8	87.5	84.1	81.1	79.2	79.2	79.2	79.2	79.2	127.4	
20000	71.8	75.1	75.8	77.6	78.9	80.1	80.9	83.2	84.8	86.1	84.7	81.5	78.0	76.3	76.3	76.3	76.3	76.3	125.1	
25000	66.5	72.0	73.2	74.8	75.8	77.1	77.7	80.0	81.5	82.8	81.0	78.7	75.8	74.0	74.0	74.0	74.0	74.0	122.4	
31500	62.9	67.7	69.0	70.7	71.5	73.8	74.6	76.8	76.9	78.9	77.8	76.2	74.0	71.4	71.4	71.4	71.4	71.4	119.7	
40000	62.1	65.0	66.0	67.8	68.7	68.9	70.2	72.1	72.9	76.0	73.2	74.3	73.0	70.8	70.8	70.8	70.8	70.8	116.7	
50000	63.1	63.8	64.1	64.6	66.6	66.6	68.3	67.9	69.3	68.8	75.5	72.2	75.7	76.5	72.4	72.4	72.4	72.4	116.9	
63000	64.4	64.3	64.2	63.9	67.2	65.5	67.7	68.0	66.0	76.4	73.7	77.7	77.1	74.9	74.9	74.9	74.9	74.9	119.9	
80000	64.8	64.4	64.2	63.7	68.5	66.8	68.4	68.6	64.5	77.5	75.3	79.5	78.3	75.7	75.7	75.7	75.7	75.7	124.2	
OVERALL MEASURED		99.7	99.7	99.0	99.3	100.2	101.1	102.3	104.8	106.9	110.1	113.2	116.6	117.5	117.5	117.5	117.5	117.5	151.5	
OVERALL CALCULATED		100.6	111.0	110.9	111.3	112.2	113.2	114.5	117.0	119.2	122.1	124.0	125.7	126.3	126.3	126.3	126.3	126.3		

SPL INPUT AT STU REV, ALPHA 12273	FREQ	ANGLES FROM INLET IN DEGREES (AND RADIANS)																	PHL
		30	40	50	60	70	80	90	100	110	120	136	140	150	160	0	0	0	
NO HGB	50	75.8	76.1	76.4	76.2	76.2	76.8	77.9	80.0	80.9	82.3	84.0	87.0	90.6	99.7				128.7
BDG, NO. 0	50	80.9	82.4	82.3	82.1	81.8	82.4	83.6	84.1	86.3	88.4	91.2	95.1	97.8	100.6				131.3
RADIAL 40. FT.	100	85.4	84.9	85.4	84.1	84.1	85.6	87.4	89.1	90.2	101.3	94.9	99.3	103.0	105.7				134.0
{ 12. X }	125	88.2	86.9	86.9	87.4	86.7	88.7	91.1	91.7	92.9	107.9	97.7	102.6	105.3	108.3				137.4
VEHICLE JENOTS	150	94.4	91.1	90.6	90.6	89.9	91.6	93.8	93.9	97.1	108.6	99.9	104.1	107.3	109.3				141.3
CONFIG JENOTS	200	93.0	91.8	90.8	90.3	89.8	91.3	92.8	94.3	96.5	103.0	104.6	108.6	110.7	112.8				142.9
LOC EVENDALE	250	94.0	93.8	92.5	91.8	91.5	92.5	93.0	94.8	101.0	102.8	106.8	110.8	113.7	111.1				145.8
DATE 05-07-75	325	94.5	93.3	91.5	93.5	94.8	94.7	93.5	98.0	99.0	104.0	109.5	112.1	115.9	114.8				148.0
RUN DBTE=MODEL 1	400	91.9	90.9	92.5	92.6	93.9	94.4	97.0	98.8	101.0	106.6	108.3	113.8	116.7	112.6				148.4
TAPE X10550	500	93.8	93.8	95.8	94.3	95.2	96.1	98.7	100.7	102.2	105.2	109.9	117.1	118.8	119.1				150.7
BAR 29.4 HQ	630	98.6	97.4	96.9	94.9	95.7	95.8	98.1	100.4	103.9	106.4	112.9	118.8	120.6	117.1				152.6
{ 99144, N/M2 }	800	98.2	98.9	97.6	97.8	97.3	97.8	99.4	102.4	104.3	108.5	112.4	117.0	117.9	116.2				151.1
TANB 67, DEG F	1000	99.3	100.3	96.5	96.4	96.3	97.7	99.7	101.8	104.4	108.6	112.4	114.2	115.6	112.7				149.2
{ 293, DEG K }	1250	98.0	97.2	96.4	96.3	97.5	97.9	101.2	101.9	104.2	108.1	112.3	114.7	112.4	108.7				148.4
THET 56, DEG F	1600	94.5	96.5	95.4	96.5	97.1	98.7	100.3	102.2	104.1	108.0	110.6	111.2	109.1	105.5				146.4
{ 286, DEG K }	2000	95.1	94.6	94.3	96.6	97.5	98.6	100.0	102.1	104.2	106.9	109.1	110.0	107.6	103.3				145.4
HACT 0, GM/M3	2500	93.8	94.5	95.5	95.2	96.3	97.9	99.7	101.6	104.0	106.3	107.2	107.9	104.6	101.0				144.0
{ 1, KG/M3 }	3150	92.8	94.6	95.0	96.2	97.8	98.5	99.7	101.6	104.0	106.3	106.6	106.6	103.3	101.6				143.7
FREQ, SHIPT	4000	92.1	93.4	94.4	96.0	97.8	99.0	100.5	101.9	104.2	105.8	105.5	105.0	103.0	100.9				143.3
JET 0	5000	92.9	93.7	94.3	96.0	97.5	99.8	101.7	103.2	105.7	107.2	106.4	106.0	104.7	101.8				144.5
DIAMETER RATIO	6300	93.1	95.2	95.4	97.2	98.8	100.6	101.5	104.0	106.4	107.1	106.7	106.6	105.7	103.2				145.2
DE/DM 1.00	8000	93.3	96.1	95.9	97.6	99.6	100.9	101.6	104.3	106.3	107.5	107.3	107.8	105.7	104.2				145.9
	10000	94.0	97.5	97.0	98.8	99.8	100.9	101.8	104.6	106.7	107.2	106.9	107.5	105.2	102.6				146.1
	12500	94.1	100.4	99.7	100.2	100.8	101.1	102.4	103.7	104.9	106.3	105.4	105.9	103.6	101.7				145.7
	16000	93.2	99.7	100.2	101.0	101.9	101.4	101.1	102.6	103.1	103.7	103.4	103.9	101.7	99.3				144.9
93	20000	99.4	96.0	96.4	98.7	99.7	99.7	99.3	100.3	101.2	101.2	101.1	101.1	98.9	96.2				143.0
	25000	85.7	92.1	92.6	94.5	96.2	97.2	96.6	98.1	98.1	98.7	97.9	98.3	96.9	93.4				140.6
	31500	81.5	88.3	88.9	91.3	91.8	93.5	93.8	95.2	94.8	96.3	95.5	95.6	93.1	89.8				138.1
	40000	78.5	84.7	86.0	88.0	89.1	89.4	89.9	91.0	91.6	93.2	91.6	92.3	91.0	87.7				135.4
	50000	76.9	81.6	82.3	84.9	85.3	85.6	86.9	87.8	88.8	91.7	89.2	90.7	88.0	86.1				133.9
	63000	77.7	78.9	79.5	82.5	82.5	82.8	83.8	84.8	87.6	91.9	87.0	89.7	88.0	86.5				134.5
	80000	77.9	76.0	76.3	78.5	80.5	80.1	81.4	82.1	86.1	93.3	86.9	90.4	89.6	87.1				137.5
OVERALL MEASURED																			
OVERALL CALCULATED		108.6	110.0	109.5	110.3	111.3	112.2	113.4	115.3	117.4	120.4	122.2	125.6	126.8	124.4				160.9
PNB		119.2	120.2	120.2	121.1	122.3	123.5	125.1	126.9	129.3	132.6	132.9	134.9	135.4	132.8				

ORIGINAL PAGE IS
OF POOR QUALITY

MODEL SOUND PRESSURE LEVELS (59 DEG F, 70 PERCENT REL HUM, DAY JENJOYS)
 ANGLES FROM INLET IN DEGREES (AND RADIANS)

SPL INPUT AT STD	30	40	50	60	70	80	90	100	110	120	130	140	150	160	PHL
BEV, ALPHA 12.7	(0.52)	(0.70)	(0.97)	(1.05)	(1.22)	(1.40)	(1.57)	(1.75)	(1.92)	(2.09)	(2.27)	(2.44)	(2.62)	(2.79)	(0)
NO EGA	73.6	71.8	71.9	71.9	72.5	73.6	74.4	75.5	76.9	80.8	80.5	83.0	85.8	92.2	121.8
ROG, NO. 0	75.3	74.1	74.6	75.2	75.8	76.1	77.3	78.4	79.4	81.3	84.3	87.4	90.5	94.3	124.8
BARIAL 40, P.T.	76.9	77.4	77.3	77.6	78.0	78.2	79.1	79.6	81.1	84.6	87.0	90.6	93.3	96.6	127.4
(12. M)	80.4	80.4	80.6	79.6	79.6	81.6	83.4	85.1	86.0	90.4	90.9	95.3	99.0	100.2	131.9
VEHICLE JENJOYS	84.4	82.4	82.4	82.9	81.9	84.4	86.1	86.9	88.2	93.7	93.4	97.8	100.3	102.8	134.2
CONFIG JENJOYS	80.9	86.4	85.6	86.4	86.1	87.4	89.1	89.6	92.1	95.1	96.4	99.9	100.3	104.8	136.6
LOC SVENDALB	89.8	88.3	87.0	86.5	86.8	87.8	88.8	89.8	92.0	95.3	99.6	103.9	108.5	110.0	140.2
DATE 05-07-75	90.8	89.5	88.0	88.0	88.3	89.0	89.8	90.5	96.8	98.0	103.0	106.3	109.4	108.6	141.8
BUN DBTE MODEL 1	90.8	88.5	88.5	89.0	90.5	90.7	89.8	94.3	96.3	101.0	105.5	107.6	111.4	113.0	144.3
TAPE X10590	91.6	91.8	91.8	90.5	91.2	92.1	93.9	96.2	98.4	100.9	105.4	113.1	115.3	110.8	146.8
BAR 29.4 HG	93.8	93.2	92.4	91.7	92.2	92.5	94.6	96.6	99.7	102.4	109.4	115.1	114.4	112.6	147.9
(99178, N/M2)	93.4	93.6	93.4	93.5	93.5	93.8	94.9	97.6	99.8	103.8	109.2	113.3	112.4	112.7	146.9
YAMB 85, DEG F	94.8	91.9	92.8	92.6	93.3	93.2	95.7	98.1	100.4	104.8	109.4	112.2	111.1	109.4	146.0
(291, DEG K)	93.7	92.9	92.6	92.5	93.7	94.2	97.1	98.2	99.9	104.9	109.6	113.5	110.7	105.7	146.2
YMET 54, DEG F	91.5	92.7	91.9	92.7	94.1	93.0	96.3	98.0	100.1	104.5	108.6	109.7	108.6	103.2	144.2
(285, DEG K)	92.3	90.8	90.5	93.1	94.2	94.3	95.0	97.8	100.2	103.6	107.1	109.2	106.6	100.8	143.2
WACT 0, GM/H3	90.5	91.0	91.2	91.2	91.8	93.7	94.4	97.4	99.5	103.3	104.5	107.4	103.1	97.7	141.4
(1, KG/H3)	89.3	90.6	91.5	92.2	93.1	94.1	94.7	97.1	99.0	102.3	103.9	105.3	102.3	97.1	140.5
PREC, SHIFT	87.4	89.1	90.4	92.0	92.6	93.5	94.8	97.1	98.7	101.6	102.2	102.5	98.2	94.2	139.1
JET 0	87.7	89.7	90.6	92.0	92.5	94.3	95.5	98.0	99.5	102.4	101.9	101.3	97.9	95.3	139.3
DIAMETER RATIO	87.7	90.5	91.7	93.3	94.6	96.1	96.1	98.6	100.9	102.3	101.8	101.4	99.0	97.5	140.0
DF/DM 1.00	88.9	91.7	92.4	93.9	95.4	96.2	96.4	98.6	100.7	103.3	101.8	101.9	101.9	100.3	140.8
10000	89.4	91.8	93.3	94.9	96.1	98.3	96.9	99.9	100.5	103.0	102.3	102.9	101.1	101.4	141.5
12500	88.4	91.5	92.6	94.3	95.5	96.4	96.7	99.3	100.8	102.1	101.0	101.7	101.4	101.6	141.3
16000	86.3	90.6	91.6	92.4	94.3	94.3	95.0	97.0	99.0	100.6	99.3	100.6	99.6	99.9	140.1
20000	83.8	90.4	90.6	91.6	91.9	92.3	92.7	94.2	96.8	97.8	96.8	97.8	97.3	97.6	138.0
25000	81.6	88.3	89.0	91.1	90.4	90.6	90.5	92.3	93.5	94.8	93.6	94.4	94.6	94.5	136.0
31500	78.7	84.2	85.5	87.7	87.0	88.6	87.7	89.1	89.7	91.7	90.9	91.5	92.0	91.2	133.6
40000	73.1	79.6	81.1	83.1	82.9	84.2	84.2	85.9	86.5	87.8	87.2	88.4	88.6	88.7	130.7
50000	68.7	75.1	76.9	78.9	78.8	80.4	81.4	83.1	83.1	85.6	85.3	87.5	87.8	86.2	129.3
63000	68.7	70.9	73.0	75.0	74.5	77.8	79.3	80.8	84.4	84.8	84.8	88.5	87.7	86.0	130.4
80000	68.6	66.7	68.2	69.5	71.3	72.1	79.2	79.4	77.0	84.3	86.1	89.6	88.3	86.3	133.7
OVERALL MEASURED															
OVERALL CALCULATED	104.4	104.6	105.0	105.8	106.6	107.4	108.3	110.6	112.6	115.8	118.9	122.5	122.4	121.0	157.0
PNEB	115.4	115.9	116.4	117.2	118.0	119.0	119.9	122.2	124.2	127.5	129.7	132.2	131.0	128.9	

94

15

SPL INPUT AT STD BEV, ALRHA 12273	FREQ.	ANGLES FROM INLET IN DEGREES (AND RADIANS)																	PHL
		30	40	50	60	70	80	90	100	110	120	130	140	150	160	180	180	180	
NO EGA	50	70.6	69.3	70.6	70.4	71.0	71.1	73.4	73.0	72.9	81.1	76.8	79.3	82.3	93.4			122.8	
EQ	53	72.3	71.3	71.9	72.7	73.3	73.1	74.8	75.4	75.9	86.1	81.1	83.9	88.7	95.1			124.1	
NO, 0	50	73.4	74.1	74.8	74.9	75.0	75.4	77.1	77.1	78.6	87.4	84.0	87.6	90.0	97.1			126.4	
RADIAL 40, FY	100	76.9	77.1	77.4	76.1	76.9	78.4	80.7	81.8	82.7	92.4	87.6	92.0	95.8	99.7			130.2	
12, HI	125	80.2	78.7	78.2	79.2	79.2	81.4	83.6	83.9	85.7	96.9	90.7	94.8	97.5	101.3			132.8	
VEHICLE JENOTS	150	86.4	82.6	82.4	82.6	82.4	84.4	86.3	86.4	89.4	96.9	93.6	96.9	100.1	103.1			134.6	
CONFIG JEN05?	200	89.5	84.8	82.5	83.5	83.8	84.5	86.3	87.3	89.5	96.8	97.3	101.1	103.5	107.5			137.8	
LCC EVENDALE	250	87.3	87.0	85.5	85.8	86.3	87.0	86.8	88.8	95.8	97.9	100.5	103.5	106.7	106.1			139.3	
DATE 05-07-75	315	87.3	87.3	86.5	88.0	89.3	88.9	88.9	92.8	95.8	100.9	104.5	105.4	109.7	110.8			142.5	
RUN DBTF-MOBL 1	400	86.4	85.2	87.5	86.4	86.9	88.2	90.8	93.1	95.9	101.3	103.3	108.0	110.7	109.3			142.8	
TAPE X10570	500	90.1	90.3	90.1	88.0	88.7	90.1	91.9	94.4	96.4	99.7	104.4	111.6	113.6	108.6			145.2	
BAR 29.4 HG	620	91.8	91.7	90.9	89.2	90.9	90.8	92.8	95.1	97.9	100.9	108.7	113.3	113.6	110.1			146.5	
99212, N/M2	800	92.7	91.9	92.1	91.8	92.0	92.3	92.9	96.6	98.5	103.0	108.2	112.3	112.7	112.7			146.3	
YAMB 53, DEG F	1000	93.8	91.9	92.5	91.9	92.0	92.9	94.9	96.8	99.9	104.1	109.2	111.4	111.8	109.7			145.7	
(290, DEG K)	1250	93.2	92.4	93.1	92.5	93.0	93.7	96.1	97.4	99.4	104.4	110.1	113.7	111.4	109.4			146.6	
THBT 53, DEG F	1600	92.5	92.4	91.9	92.5	92.8	94.2	95.5	97.5	99.8	103.2	108.6	110.9	110.6	106.4			144.9	
(283, DEG K)	2000	93.3	91.4	90.5	92.9	93.2	94.1	95.0	96.8	100.0	103.1	107.1	110.7	109.6	104.8			144.2	
WACT 0, GM/MS	2500	90.5	90.3	90.7	90.4	91.1	92.4	94.2	96.1	99.3	103.1	105.0	108.9	106.6	101.2			142.4	
1, KG/MS	3120	89.0	89.4	89.7	90.2	91.1	92.3	93.2	96.3	98.5	102.8	104.4	107.3	104.0	99.3			141.3	
FREQ. SWIFT	4000	86.8	87.6	88.2	89.3	90.1	91.8	93.1	95.4	98.0	101.6	102.5	104.5	99.5	93.9			139.2	
JET 0	5000	89.7	87.9	88.0	88.5	89.5	91.3	92.5	95.2	98.5	100.7	101.4	102.6	96.9	91.0			138.2	
DIAMETER RATIO	6300	85.2	87.7	87.9	89.5	90.6	91.9	92.3	94.5	97.2	100.1	99.3	99.1	94.0	89.5			136.9	
DE/DM 1.00	8000	85.1	88.9	88.9	89.9	90.7	91.7	92.1	94.3	96.2	99.9	98.1	96.4	91.8	88.8			136.2	
10000	94.9	89.1	89.6	90.6	90.8	91.3	91.6	94.7	96.5	98.8	97.0	94.1	89.8	87.7				136.0	
12500	82.2	86.7	87.8	88.5	89.7	90.7	91.0	93.3	94.8	98.4	95.0	91.7	88.2	86.6				135.1	
16000	79.3	83.3	84.8	85.6	87.3	88.8	88.7	90.4	92.0	95.1	92.8	89.3	86.1	83.9				132.7	
20000	75.8	80.6	81.5	83.1	83.6	84.8	85.7	87.5	89.6	91.6	89.5	87.0	83.8	81.3				130.1	
25000	72.8	77.2	77.7	79.8	80.1	81.3	82.2	84.0	86.0	87.6	85.8	84.4	82.3	80.2				127.2	
31500	68.9	72.4	74.2	75.7	75.7	78.3	78.6	81.3	81.7	84.4	83.1	82.9	81.5	78.6				124.7	
40000	66.3	69.3	70.8	71.8	72.4	72.7	74.2	74.2	77.1	77.7	81.0	79.9	82.3	82.0				122.7	
50000	66.1	66.1	67.3	68.4	69.1	69.3	70.9	75.6	74.1	80.7	81.5	85.2	83.8	82.1				124.4	
63000	67.6	64.6	65.7	65.4	68.5	67.0	69.0	76.8	73.9	82.1	83.5	87.2	86.6	84.4				128.1	
80000	68.3	64.9	64.4	64.2	69.5	67.1	69.1	77.8	74.7	83.9	85.5	89.3	88.3	86.0				132.8	
OVERALL MEASURED		102.9	102.7	102.8	103.1	103.7	104.6	105.9	108.2	110.7	114.6	118.2	121.7	121.9	119.8			155.9	
OVERALL CALCULATED		124.7	114.5	114.6	115.0	115.8	118.9	118.0	120.6	123.0	127.1	129.2	132.3	131.2	128.1				

ORIGINAL PAGE IS OF POOR QUALITY

SPL INPUT AT STD REV. ALPHA 12473	HREQ	ANGLES FROM INLET IN DEGREES (AND RADIANS)																PHL
		30	40	50	60	70	80	90	100	110	120	130	140	150	160	180		
NO EGA	30	75.8	76.1	76.1	75.9	76.0	75.8	77.4	78.5	78.9	83.3	83.8	87.3	90.6	102.2		129.5	
BQG, NO. 0	80	81.4	82.4	82.5	82.4	81.5	82.4	83.8	83.8	85.3	89.9	91.7	95.6	98.5	104.6		131.5	
BADIAL 40, FT.	100	85.9	85.9	85.6	84.9	84.6	85.9	88.7	89.6	90.0	93.9	95.4	100.5	104.0	106.9		133.7	
12, M)	125	89.2	87.9	87.9	87.9	87.4	88.9	91.4	91.7	93.2	97.9	98.4	103.3	106.3	109.8		137.4	
VEHICLE JEMOTS	180	94.9	91.1	90.9	91.1	90.6	92.1	93.3	94.4	96.6	100.1	100.6	105.4	108.6	110.3		140.1	
CONFIG JEMOTS	200	93.5	92.3	90.8	90.5	90.8	92.8	93.5	94.3	95.8	100.0	105.1	109.4	112.0	114.0		142.0	
LCC EVENDALR	250	94.8	94.3	92.5	92.5	92.0	93.0	93.5	95.3	100.5	102.8	107.8	112.3	114.7	112.1		146.8	
DATE 05-07-75	312	94.8	93.3	92.5	93.8	95.0	95.4	93.8	98.3	99.5	105.0	111.0	113.4	116.7	115.5		148.9	
BUN DBTE MODRL 1	400	92.6	91.7	93.5	92.9	94.4	94.9	97.8	99.8	101.5	107.1	110.0	115.5	117.7	113.3		149.6	
YARE X10580	500	96.3	96.6	96.1	95.3	95.4	96.6	98.9	101.4	102.7	105.7	111.7	118.9	119.6	115.6		151.9	
BAR 29.4 HG	630	98.8	98.4	97.7	96.2	96.9	96.8	99.3	101.4	104.4	108.2	115.4	120.8	121.4	117.1		153.0	
(99143, N242)	900	98.4	98.6	98.6	98.5	98.5	98.3	100.4	103.4	105.0	110.0	115.9	119.8	118.9	116.7		153.9	
TAMB 65 DEG F	1000	99.6	97.1	98.0	97.4	97.8	98.7	101.2	103.1	105.6	110.6	116.4	117.7	116.8	113.2		151.7	
(291 DEG K)	1250	98.0	98.2	98.1	97.8	98.0	99.4	102.4	103.2	105.4	110.6	116.6	118.5	114.4	109.7		151.6	
THET 54 DEG F	1600	95.8	97.7	97.1	97.0	98.3	99.2	101.3	103.0	105.6	109.7	114.6	115.7	111.6	106.2		149.5	
(285 DEG K)	2000	97.1	96.8	96.0	97.0	98.7	99.3	100.8	102.8	105.2	108.9	112.9	114.5	109.6	104.0		148.3	
WACT 0 GM/M3	2500	96.0	97.3	97.2	96.7	97.3	98.9	100.7	102.4	105.0	108.8	110.7	112.2	106.4	100.7		146.7	
E1 KG/M3	3120	94.5	96.4	96.7	97.9	98.6	99.3	100.2	102.3	104.3	107.8	109.6	110.1	104.0	101.1		145.6	
FREQ SWIFT	4000	93.1	95.4	95.7	97.0	97.8	99.3	100.8	102.4	104.6	107.1	108.0	107.7	104.7	99.4		144.6	
JET 0	5000	93.7	95.8	95.6	97.3	98.0	99.8	101.2	103.5	105.5	107.4	107.4	107.1	103.4	101.0		144.8	
DIAMETER RAYLO	6300	93.9	96.5	96.7	98.8	99.6	100.6	101.8	103.8	105.5	107.1	107.0	107.4	105.3	103.3		145.3	
DF/DM 1.00	8000	94.4	96.7	96.7	99.4	100.9	101.5	101.4	103.8	105.7	107.3	107.3	107.4	103.5	104.5		145.8	
10000	94.6	97.6	97.8	99.6	100.9	101.5	102.1	104.4	106.5	106.8	107.0	107.4	105.3	103.9		146.2		
12500	94.7	99.2	98.8	100.3	101.2	101.2	102.2	104.1	104.5	106.1	105.1	106.2	103.9	102.1		145.7		
16000	93.6	99.6	99.6	100.2	101.1	100.8	101.2	103.0	103.5	103.4	103.8	104.6	102.1	100.2		144.9		
20000	90.1	95.9	96.1	98.9	99.4	98.6	98.7	100.2	100.8	100.8	101.0	101.8	99.3	97.4		142.8		
25000	86.3	92.3	92.8	94.6	96.4	96.6	96.0	97.5	97.8	98.8	98.1	98.9	97.1	94.5		140.5		
31500	82.4	88.2	88.8	90.7	91.5	93.3	93.2	94.3	94.5	95.7	95.1	96.0	94.0	90.7		137.7		
40000	79.1	85.1	85.3	88.1	88.2	88.5	89.2	90.1	91.2	92.8	91.0	92.4	90.8	88.1		134.9		
50000	77.2	81.1	81.9	83.9	84.6	85.1	85.7	87.1	87.4	91.5	88.8	90.2	89.3	85.7		133.3		
63000	76.9	78.1	78.8	80.7	81.8	81.5	82.5	84.1	84.6	91.9	87.3	89.7	89.2	85.5		134.0		
80000	77.8	75.4	76.0	78.0	80.3	79.1	81.2	81.9	81.3	93.5	86.8	90.6	90.1	86.0		137.3		
OVERALL MEASURED																	162.3	
OVERALL CALCULATED																		
PNR8		109.2	110.3	110.2	111.1	111.8	112.5	113.8	115.7	117.6	120.9	125.0	128.1	127.8	123.0			
		120.5	121.5	121.5	122.4	123.1	124.0	125.5	127.3	129.4	132.7	135.8	137.5	136.2	133.2			

96

351

		ANGLES FROM INLET IN DEGREES (AND RADIAN)															PWL		
		30	40	50	60	70	80	90	100	110	120	130	140	150	160	0	0	0	
		(0.52)	(0.70)	(0.87)	(1.05)	(1.22)	(1.40)	(1.57)	(1.75)	(1.92)	(2.09)	(2.27)	(2.44)	(2.62)	(2.79)	(0)	(0)	(0)	
SPL INPUT AT STD	REV, ALPHA 12.73	20	73.8	74.3	74.1	74.4	74.7	74.6	74.9	76.3	77.4	80.6	82.0	85.3	88.6	98.2			126.0
NO EGA	83	76.3	76.6	77.1	77.2	77.8	78.1	78.8	79.4	80.6	84.3	86.1	89.6	92.5	99.1				126.0
REQ, NO, 0	80	79.4	80.1	80.5	80.6	80.0	80.7	81.6	82.1	83.6	86.9	89.7	93.1	96.0	101.1				130.8
RADIAL 40, FT	100	84.6	84.1	84.1	83.4	83.1	84.6	88.7	87.6	88.7	91.4	93.9	98.8	102.5	104.4				135.5
1 12, FT	125	86.9	85.4	85.4	86.7	85.2	87.4	89.4	89.9	91.2	94.9	96.4	100.6	103.8	106.5				137.4
VEHICLE JENOTS	150	83.4	89.1	89.1	89.9	89.1	90.4	92.3	92.6	95.1	97.4	98.6	102.6	106.1	108.3				139.7
CONFIG JE=039	200	81.8	90.5	89.0	89.0	88.8	90.3	91.3	92.5	94.5	98.3	102.8	107.1	110.0	112.5				143.2
LOC EVENDALE	250	83.0	92.5	90.8	90.8	90.5	91.5	91.3	93.0	99.3	100.8	106.0	109.8	112.7	114.4				144.9
DATE 05-07-75	325	83.5	91.5	90.8	92.5	93.5	92.9	92.3	97.0	98.8	103.8	109.0	111.1	114.9	115.0				147.3
BUN DBTF=MODEL 1	400	82.1	90.4	91.8	91.9	92.9	93.4	93.8	97.8	100.3	105.1	107.8	113.5	115.7	112.3				147.7
TAPE X10590	500	85.1	95.3	94.8	93.3	93.9	95.1	96.7	99.2	101.4	104.4	109.7	117.4	118.6	114.3				150.5
BAR 29.4 HG	630	87.8	97.7	96.2	94.9	95.7	95.3	97.6	99.6	102.4	105.9	114.2	119.1	119.1	115.1				152.0
89178, N/M2	800	87.2	97.6	97.4	96.8	97.0	96.8	97.9	101.4	103.3	108.0	114.7	118.0	117.4	114.2				151.4
TAMB 85, DEG F	1000	87.8	99.8	96.5	96.4	96.3	97.2	98.9	101.3	104.1	109.1	114.9	116.7	114.6	112.4				150.3
(291, DEG K)	1250	87.8	97.8	96.6	96.5	97.0	97.9	98.1	101.7	103.7	109.4	116.1	118.7	113.9	108.4				151.2
THEY 54, DEG F	1600	85.5	97.5	95.9	97.0	97.1	98.2	99.8	102.0	104.3	108.3	114.6	115.5	111.6	105.5				149.1
(285, DEG K)	2000	86.8	95.3	94.5	96.6	97.2	97.8	98.8	101.3	104.2	108.1	112.4	114.5	110.1	103.8				147.9
WACT 0, GM/M3	2500	86.0	96.8	96.2	95.2	95.8	97.4	98.4	101.4	104.0	107.6	111.0	113.2	108.1	100.2				146.6
11, KG/M3	3150	84.8	95.9	96.2	96.7	96.6	97.1	98.2	100.3	102.8	106.8	109.9	110.8	104.0	99.1				145.2
FREQ SWIFT	4000	83.1	95.4	95.2	96.3	96.8	98.0	98.3	100.4	103.5	105.8	108.5	107.7	100.7	96.9				145.9
JET 0	5000	82.7	95.2	95.1	97.0	97.0	98.0	99.5	101.7	103.3	105.7	107.4	106.1	100.4	97.3				148.5
DIAMETER RATIO	6300	82.4	95.7	96.2	98.0	98.1	98.4	98.8	101.8	103.2	105.1	105.8	104.6	101.3	99.3				143.1
DF/DH 1.00	8000	82.4	96.2	95.9	98.7	99.7	100.0	99.1	101.6	104.4	105.3	105.1	104.9	102.3	102.0				143.8
10000	81.9	95.9	97.3	99.4	100.1	101.3	99.6	102.2	103.8	105.0	105.0	105.3	104.9	103.3	103.4				144.3
12500	80.9	95.0	95.3	97.1	98.5	99.4	100.0	101.8	103.0	103.6	103.3	104.2	102.9	102.3					143.6
16000	80.1	94.1	94.6	95.7	97.3	97.6	98.2	100.2	102.0	101.4	101.8	102.6	101.1	100.4					142.4
20000	86.8	93.1	94.1	94.6	95.4	95.3	95.7	97.5	98.8	99.3	99.0	99.5	98.6	97.9					140.4
25000	84.1	90.3	91.5	93.1	93.4	93.9	93.0	95.0	96.5	97.1	95.6	97.2	96.1	94.3					136.5
31500	79.4	85.7	86.3	88.7	89.5	91.6	90.7	92.1	92.5	93.7	92.9	94.2	93.3	90.7					135.8
40000	76.9	82.1	83.3	85.4	85.9	86.2	86.4	88.1	88.5	89.5	91.0	89.0	89.5	88.6					132.9
50000	95.4	79.4	80.4	82.2	82.8	83.4	83.4	85.6	85.6	86.3	86.8	89.5	88.8	86.7					132.0
63000	76.9	76.4	77.8	79.5	80.5	80.3	81.0	82.8	83.3	83.3	86.3	86.7	88.7	88.7					133.1
80000	77.1	74.9	75.5	76.8	79.3	79.8	80.2	80.9	79.3	82.5	86.3	90.1	89.1	86.3					136.5
OVERALL MEASURED																			
OVERALL CALCULATED		108.0	109.1	108.7	109.6	110.1	110.8	111.5	113.8	116.0	119.3	124.1	126.9	126.1	123.6				161.0
PNDP		119.9	120.8	120.6	121.3	121.6	122.5	123.2	125.5	128.0	131.4	135.0	137.0	136.5	131.5				

ORIGINAL PAGE IS
OF POOR QUALITY

MODEL SOUND PRESSURE LEVELS (59 DEG, F, 70 PERCENT REL. HUM, DAY = JEN0153)

SPL INPUT AT STD REV, ALPHA 12/73	30	40	50	60	70	80	90	100	110	120	130	140	150	160	ANGLES FROM INLET IN DEGREES (AND RADIANs)			PWL	
															0	0	0		
PREQ, (0, 52) (0, 70) (0, 87) (1, 05) (1, 22) (1, 40) (1, 57) (1, 75) (1, 92) (2, 09) (2, 27) (2, 44) (2, 62) (2, 79) (2, 97)	(0, 52)	(0, 70)	(0, 87)	(1, 05)	(1, 22)	(1, 40)	(1, 57)	(1, 75)	(1, 92)	(2, 09)	(2, 27)	(2, 44)	(2, 62)	(2, 79)	(2, 97)	(0, 0)	(0, 0)	(0, 0)	
NO EGA	50	71,3	71,3	71,1	71,9	71,5	72,3	73,1	74,0	75,1	77,6	79,3	81,8	85,3	99,2				126,1
RDR, NO, 0	93	73,3	73,6	73,9	74,7	75,0	75,4	76,0	76,7	77,6	81,1	83,3	85,9	89,2	99,6				127,1
RADIAL 40, FT. (12, M)	100	75,9	76,6	77,3	77,1	77,0	77,4	78,9	79,3	81,1	83,1	86,2	89,6	92,0	100,6				128,8
VEHICLE JEN015	190	80,4	79,9	80,4	79,4	79,4	81,1	82,9	84,6	85,2	87,4	89,9	94,3	98,3	103,7				132,7
CONFIG JE=059	200	83,7	82,8	81,9	82,9	82,4	84,2	86,6	86,7	87,9	91,4	93,9	97,8	100,5	105,5				135,1
LOG EVENDALE	250	89,4	85,0	85,4	86,4	85,9	87,4	88,8	89,4	91,6	93,9	95,9	99,9	103,1	106,3				137,0
DATE 08-07-75	319	89,0	88,0	86,5	86,3	86,3	87,3	89,0	90,0	92,0	95,5	98,8	104,1	107,0	111,0				141,7
BUN DBTF=MODEL 3	400	91,5	89,3	88,3	88,5	88,3	89,3	88,8	90,8	97,5	98,8	103,0	106,0	109,4	109,4				142,0
YARE X10600	500	91,5	89,3	88,3	88,5	88,3	89,3	88,8	90,8	97,5	98,8	103,0	106,0	109,4	109,4				145,1
BAR 29,4 HG (99,178; N/M2)	600	93,1	93,1	92,6	90,8	91,7	92,9	94,7	97,4	98,9	102,2	107,7	115,4	110,6	112,1				148,5
TAMB 63; DEG F (290; DEG K)	1000	95,6	95,4	94,2	93,7	94,2	94,0	95,6	97,9	100,7	104,4	112,2	117,1	116,1	113,3				149,8
YWEI 33; DEG F (285; DEG K)	1220	96,7	95,9	95,1	95,8	95,5	95,0	96,4	99,6	101,8	106,0	112,4	116,3	115,7	113,4				149,8
WABT 0; GM/M3 (1; KG/M3)	1600	96,8	96,9	96,1	96,2	96,8	97,7	98,5	101,0	103,1	107,7	114,1	116,9	113,6	108,7				149,6
PREQ, SHIFT	2000	96,8	96,8	95,0	96,6	97,2	97,8	97,8	100,8	103,5	107,1	112,9	116,2	113,1	107,5				149,0
JET 0	2500	96,8	96,8	95,7	94,7	95,6	96,4	97,7	100,6	103,5	107,1	111,2	115,2	109,9	105,0				147,7
DIAMETER RATIO	3120	96,3	96,4	96,2	96,2	96,1	96,3	97,0	99,8	102,5	106,6	110,1	113,3	108,3	101,8				146,4
DE/DH 1,00	4000	94,1	95,0	95,2	95,3	96,1	96,8	96,8	99,4	102,2	105,8	108,5	110,2	103,7	98,7				144,4
OVERALL MEASURED	5000	93,7	95,9	95,5	95,8	95,5	96,3	97,2	99,5	102,3	105,7	107,6	109,1	101,7	96,5				143,8
OVERALL CALCULATED	6300	91,9	94,7	94,9	96,5	97,1	97,1	97,1	98,5	101,5	104,1	105,8	106,1	98,3	95,0				142,3
	8000	90,4	94,9	94,9	96,4	97,4	98,0	97,1	99,6	100,7	103,5	104,1	103,9	97,8	94,3				141,7
	10000	89,4	93,3	94,3	95,6	97,1	97,8	96,6	99,9	100,8	102,8	102,3	101,6	93,6	92,9				141,1
	12500	87,4	92,0	92,6	93,5	94,9	95,9	96,2	98,3	99,8	102,1	100,0	99,2	93,4	90,8				140,0
	16000	84,0	88,8	89,6	91,1	93,1	93,3	93,4	96,2	98,2	99,6	97,8	96,3	90,8	88,2				138,1
	20000	80,3	85,8	86,5	88,1	89,4	90,1	90,7	92,7	94,8	96,3	94,7	93,7	87,8	85,6				135,3
	25000	77,5	82,7	83,5	85,1	86,1	86,8	88,0	89,8	91,0	93,3	90,8	91,2	83,5	83,0				132,6
	31500	74,1	78,2	79,2	80,8	82,0	83,8	84,4	85,8	86,9	90,4	87,6	88,2	83,5	80,6				129,8
	40000	73,3	75,8	76,5	77,8	78,7	78,7	80,2	82,1	82,9	88,9	83,7	85,8	82,8	80,8				127,1
	50000	74,1	73,8	74,1	75,1	77,1	76,8	77,9	78,3	79,6	86,0	83,2	86,9	84,5	82,4				127,4
	63000	76,4	74,3	74,5	74,9	77,2	76,5	78,0	77,3	76,8	86,9	84,2	88,7	86,6	84,7				130,3
	80000	77,6	74,1	74,4	74,7	78,7	77,1	78,4	77,6	75,0	88,7	86,3	90,5	80,5	86,2				135,0
OVERALL MEASURED		107,6	107,7	107,3	107,7	108,3	108,9	109,5	112,0	114,3	118,1	123,2	126,5	124,9	122,9				160,0
OVERALL CALCULATED		120,1	120,3	120,0	120,2	120,5	121,1	121,6	124,2	126,7	130,8	134,5	137,7	134,7	131,3				

091

SPL INPUT AT STD REV. ALPHA 12/73	FREQ.	ANGLES FROM INLET IN DEGREES (AND RADIANS)																	PWL
		30	40	50	60	70	80	90	100	110	120	130	140	150	160	0	0	0	
NO EGA	63	74.8	74.8	73.4	76.0	76.0	76.4	66.0	80.4	80.9	82.1	84.6	86.9	90.2	91.8				119.7
RDG. NO. 0	80	76.6	77.4	77.8	77.4	77.3	77.7	68.8	79.8	81.1	83.1	87.2	90.4	93.3	95.9				124.1
RADIAL 40 FT.	100	80.1	80.1	80.4	79.6	79.9	81.6	73.2	84.8	85.7	88.4	90.4	95.0	99.3	99.7				127.0
(12. M)	125	82.9	81.7	81.4	82.2	81.9	85.2	76.6	87.4	88.2	90.9	93.2	97.3	100.3	101.5				131.7
VEHICLE JENOTS	160	87.4	84.9	84.9	85.4	85.1	87.4	79.3	90.1	92.1	93.9	95.9	98.9	101.6	102.1				133.5
CONFIG JE-063	200	87.3	86.3	85.0	86.0	86.3	88.0	78.8	91.8	92.3	95.5	99.6	103.1	105.2	106.0				135.2
LOC EVENDALE	250	90.0	89.3	88.0	88.0	88.0	89.0	79.5	91.5	96.8	97.3	102.3	105.3	108.7	105.4				138.5
DATE 05-09-75	315	91.0	88.8	88.5	89.8	90.5	91.4	79.5	94.5	94.8	98.5	103.3	105.9	109.9	109.3				140.7
RUN DBTF-MODEL 1	400	87.7	85.5	91.3	88.7	90.2	90.5	82.1	94.3	96.1	100.1	101.0	106.3	110.7	105.9				142.2
TAPE X10700	500	88.8	89.1	90.6	89.5	90.2	91.9	84.4	94.9	97.4	99.2	103.0	107.9	108.3	105.3				142.0
BAR 29.4 HG	630	90.3	90.2	91.2	90.0	90.7	91.8	83.6	95.9	98.4	101.5	105.2	107.3	109.2	107.1				141.7
(99246, N/M2)	800	90.0	90.9	91.4	92.0	93.3	93.0	84.7	97.6	99.0	102.5	105.0	106.8	106.5	104.5				142.6
TAMP 78 DEG F	1000	92.1	90.6	92.3	91.4	92.5	94.2	85.9	97.6	99.9	104.1	105.7	106.4	105.9	101.2				141.8
(299, DEG K)	1250	91.0	91.7	92.1	92.8	93.5	94.7	86.4	98.2	99.9	104.4	106.4	106.5	104.4	100.7				141.9
TWET 59 DEG F	1600	90.8	92.2	92.2	93.5	94.3	95.5	86.8	98.5	100.6	103.8	105.3	106.0	102.9	99.7				142.0
(288, DEG K)	2000	92.1	91.8	91.8	94.7	95.7	95.4	87.3	99.3	101.2	104.1	104.9	105.7	103.6	100.3				141.5
HACT 0 G/M3	2500	91.3	92.6	93.8	93.5	94.4	95.7	87.5	99.4	102.3	104.6	104.5	105.4	104.2	100.0				141.7
(K9/M3)	3150	91.8	93.4	93.8	95.2	96.1	97.4	87.5	99.9	102.6	105.6	105.2	105.6	104.6	101.9				141.9
FREQ. SHIFT	4000	91.2	92.5	93.5	93.3	96.4	98.8	89.1	101.2	103.8	105.7	105.3	105.8	104.8	102.0				142.6
JET 0	5000	92.0	93.0	93.9	95.9	97.3	99.1	90.3	103.3	105.6	107.8	106.2	106.9	106.3	102.9				143.1
DIAMETER RATIO	6300	92.8	93.9	95.0	96.7	99.0	100.5	91.5	104.7	105.8	107.5	107.2	107.7	106.6	103.4				144.5
DF/DM 1.00	8000	92.8	94.9	96.4	97.3	99.4	101.4	91.8	104.0	105.8	107.7	107.8	108.1	106.7	103.0				145.3
	10000	93.6	96.6	97.8	98.7	99.6	100.8	91.6	104.2	106.0	107.1	107.3	107.6	105.1	102.4				145.8
	12000	94.5	99.3	99.7	100.1	100.9	100.8	91.1	103.7	104.4	106.0	105.9	105.8	103.8	100.9				145.2
	16000	93.7	98.0	99.2	100.3	101.2	100.5	89.9	101.3	102.4	103.8	103.7	103.7	101.7	98.8				145.0
86	20000	90.0	95.1	96.0	98.1	99.3	98.8	88.2	99.4	100.1	101.3	101.2	100.7	99.3	95.8				144.1
	25000	86.8	91.0	93.0	94.9	95.4	96.1	86.0	97.0	97.5	98.8	97.5	98.4	96.8	92.8				142.2
	31500	82.7	87.7	89.3	90.5	91.3	92.8	82.9	94.6	94.0	96.2	94.8	95.7	94.5	89.4				139.8
	40000	79.6	84.3	86.0	87.6	88.7	87.9	78.4	90.6	91.2	92.5	91.4	92.1	90.5	87.5				137.3
	50000	77.1	81.3	82.5	84.6	85.0	85.3	75.8	89.0	88.0	92.4	89.2	91.1	90.2	86.3				134.5
	63000	77.2	78.7	79.8	82.3	82.3	81.8	73.1	88.6	87.1	92.8	87.8	90.3	90.2	86.8				135.9
	80000	77.8	76.9	77.2	79.5	81.0	80.3	71.7	89.4	86.5	94.5	89.2	91.1	90.8	87.5				135.1
OVERALL MEASURED																			139.0
OVERALL CALCULATED		105.0	107.0	107.9	108.9	110.0	110.9	101.5	113.8	115.6	117.7	118.4	119.6	119.9	117.4				156.7
PNDB		116.6	117.5	118.2	119.3	120.6	122.2	113.1	125.7	127.7	129.8	130.2	131.3	131.0	128.2				



★ 10 dB TOO LOW

ORIGINAL PAGE IS
OF POOR QUALITY

MODEL SOUND PRESSURE LEVELS (99, DEG, F, 70 PERCENT REL. HUM, DAY - JENOTS)

SPL INPUT AT STD REV. ALPHA 12/73	FREQ.	ANGLES FROM INLET IN DEGREES (AND RADIANS)															PWL		
		30, (0.52)	40, (0.70)	50, (0.87)	60, (1.05)	70, (1.22)	80, (1.40)	90, (1.57)	100, (1.75)	110, (1.92)	120, (2.09)	130, (2.27)	140, (2.44)	150, (2.62)	160, (2.79)	0, (0)		0, (0)	0, (0)
NO EGA	50	65.3	65.3	66.1	67.7	66.5	66.3	56.4	67.0	67.9	69.6	72.8	74.8	76.3	79.4				112.2
RDG. NO. 0	63	67.6	67.3	67.9	71.2	70.8	72.1	61.3	71.7	72.1	74.3	76.6	78.6	82.2	83.6				116.3
RADIAL 40, FT.	80	68.9	70.1	71.0	71.1	70.8	70.9	62.8	73.6	74.3	76.9	79.7	83.1	86.0	87.4				119.5
(12, M)	100	71.6	72.1	72.4	74.1	72.6	74.1	66.7	77.8	79.2	80.9	83.1	87.3	90.8	91.4				123.7
VEHICLE JENOTS	125	74.2	73.4	73.4	74.2	73.9	76.9	69.1	80.4	80.9	83.7	85.9	89.3	92.0	93.8				125.7
CONFIG JE-063	160	79.6	75.4	76.1	78.1	77.1	79.9	71.8	82.1	84.6	86.1	87.1	89.9	92.3	92.6				126.4
LOC. EVENDALE	200	77.8	77.0	76.8	81.0	78.5	80.8	71.8	83.0	84.5	86.8	88.8	91.4	93.5	94.3				127.6
DATE 05-09-75	250	79.8	79.5	79.5	83.0	80.5	81.3	71.5	83.0	88.5	88.0	90.3	92.0	94.9	95.9				128.8
RUN DBTF-MODEL 1	315	82.0	80.3	80.3	82.0	82.8	83.4	72.0	86.8	86.0	88.5	92.0	92.9	95.9	97.0				130.1
TAPE X10710	400	78.9	76.7	82.6	82.9	81.7	82.0	73.6	85.8	87.6	90.1	90.0	95.5	98.0	94.6				130.7
BAR 29.4 HG	500	79.8	79.8	82.6	82.8	82.2	83.6	76.0	86.7	87.9	89.4	90.7	96.6	96.6	94.1				130.7
(99246, N/M2)	630	80.6	81.5	82.7	82.5	83.7	84.3	75.4	87.4	88.9	90.7	94.7	97.3	97.4	95.8				132.0
TAMP 78, DEG F	800	81.5	82.9	83.1	84.8	84.5	84.8	76.7	89.4	90.5	93.5	95.2	95.8	94.2	95.7				131.9
(299, DEG K)	1000	83.3	82.6	84.8	84.7	85.5	86.9	78.2	90.3	91.1	95.1	96.7	97.4	94.6	92.9				132.9
TWET 59, DEG F	1250	83.5	83.9	85.4	85.6	86.5	87.2	79.2	90.4	91.9	95.1	97.9	97.0	94.7	91.2				133.2
(288, DEG K)	1600	82.8	85.5	86.4	87.0	88.1	89.2	79.8	91.2	92.8	96.0	97.1	97.0	94.6	91.2				133.5
HACT D. G4/M3	2000	85.1	85.6	86.5	89.7	90.2	90.6	80.3	92.6	94.2	96.9	97.4	96.8	95.4	91.8				134.4
(, KG/M3)	2500	84.8	87.3	89.0	88.7	89.4	90.4	81.5	93.7	95.0	98.8	98.3	97.9	94.7	92.5				135.3
FREQ. SHIFT	3150	85.3	88.2	89.8	90.0	91.1	92.6	82.5	94.4	96.1	100.1	98.9	98.6	96.1	94.1				136.4
JFT 0	4000	85.4	88.5	90.0	90.8	91.9	93.3	84.1	96.5	98.1	100.7	100.3	99.3	97.1	94.8				137.6
DIAMETER RATIO	5000	86.8	89.0	90.9	91.9	92.6	94.4	85.8	98.6	100.1	102.5	101.5	101.4	99.0	97.4				139.4
DF/DH 1.00	6300	88.9	90.9	92.0	93.2	94.7	95.8	86.5	99.4	100.8	103.5	103.2	103.0	101.6	100.6				140.9
	8000	89.3	91.4	93.1	93.6	95.4	96.7	87.1	99.8	101.6	104.2	104.0	104.6	103.7	103.5				142.2
	10000	91.1	92.6	93.8	94.7	96.4	97.0	87.4	99.9	101.6	104.8	104.5	105.6	104.8	104.7				143.3
	12000	90.5	94.1	94.9	94.9	95.3	96.3	87.1	99.2	100.9	102.7	102.6	104.3	103.5	103.7				142.3
	16000	90.2	94.5	95.0	95.3	95.5	95.5	86.1	98.1	98.6	100.3	100.7	102.5	101.5	100.8				141.0
	20000	88.5	93.3	94.5	95.3	94.8	94.3	83.9	95.4	96.6	97.8	98.2	99.5	98.8	97.8				139.4
	25000	85.3	90.3	92.5	93.4	93.1	93.4	82.3	93.0	93.5	94.8	94.8	96.4	96.5	94.5				137.3
	31000	80.7	86.0	88.0	88.5	89.3	90.6	79.9	90.6	89.7	91.9	91.8	93.0	93.3	90.4				134.5
	40000	77.1	82.3	84.5	85.3	85.9	85.7	75.7	87.1	86.7	88.0	87.4	89.1	89.3	88.0				131.5
	50000	73.6	78.5	80.8	82.6	82.2	82.8	72.8	84.0	83.3	86.4	84.2	86.4	86.5	84.3				129.6
	63000	70.7	74.4	77.3	79.8	80.6	80.1	70.8	81.6	80.6	85.3	81.3	84.0	84.7	82.3				129.3
	80000	69.1	69.9	72.2	78.2	79.0	79.1	70.7	80.9	77.8	85.5	80.2	82.6	82.6	80.0				131.1
OVERALL MEASURED																			
OVERALL CALCULATED		99.9	102.6	103.9	104.6	105.3	106.1	96.6	108.8	110.3	112.8	112.8	113.6	112.7	112.0				151.5
PND8		110.6	112.2	113.5	114.5	115.6	116.7	107.6	120.0	121.6	124.2	124.3	124.6	123.5	122.3				

SPL INPUT AT STD REV: ALPHA 12/73	FREQ.	ANGLES FROM INLET IN DEGREES (AND RADIANS)																PWL	
		30, (0.52)	40, (0.70)	50, (0.87)	60, (1.05)	70, (1.22)	80, (1.40)	90, (1.57)	100, (1.75)	110, (1.92)	120, (2.09)	130, (2.27)	140, (2.44)	150, (2.62)	160, (2.79)	0, (0)	0, (0)		0, (0)
NO EGA	50	62.3	63.8	62.9	63.7	65.2	65.8	65.9	65.3	66.9	67.3	69.5	71.3	75.3	75.9				109.6
RDG, NO, 01	63	64.8	65.6	64.9	66.0	66.8	71.1	67.5	70.4	71.1	71.6	73.3	75.6	78.2	80.1				113.3
RADIAL 40 FT (12 M)	80	65.6	66.1	66.8	67.1	68.0	68.7	69.3	70.3	71.6	73.1	75.7	78.6	81.0	83.1				115.4
VEHICLE JENOTS	100	68.1	68.4	69.1	68.9	69.6	70.6	73.4	74.1	75.5	76.6	79.1	82.8	86.0	86.7				119.3
CONFIG JE-063	125	70.9	69.9	69.7	70.9	70.9	73.7	76.9	76.9	77.9	80.2	81.7	84.8	87.5	89.3				121.6
LOC EVENDALE	160	74.4	71.4	71.9	72.9	73.4	75.9	78.6	78.9	80.9	82.6	83.1	85.6	87.3	87.8				122.3
DATE 05-09-75	200	72.8	73.0	72.8	73.5	74.3	76.8	77.3	79.0	81.0	82.8	84.3	86.4	88.5	89.0				123.0
RUN DBTE-MODEL 1	250	75.5	75.5	75.3	76.3	76.5	77.8	77.3	78.8	84.0	83.3	85.3	86.5	89.7	89.1				123.9
TAPE X10720	315	78.0	76.3	76.0	77.0	78.0	79.2	78.0	81.8	81.3	83.5	86.3	87.1	90.7	92.3				125.0
BAR 29.4 HG (99246 N/M2)	400	74.9	72.5	78.3	76.4	78.2	78.0	79.1	81.8	82.6	85.3	84.5	89.5	92.5	89.9				125.5
TAMP 78 DEG F (299 DEG K)	500	75.8	76.1	77.8	77.3	78.7	79.6	81.7	82.4	83.4	84.7	87.0	91.9	92.6	89.1				126.5
THET 59 DEG F (288 DEG K)	630	76.3	77.7	79.2	78.5	80.0	79.8	81.6	83.4	85.2	86.0	89.5	92.1	92.7	91.8				127.4
HACT 0 GM/M3 (KG/M3)	800	77.5	78.9	79.4	80.3	81.0	81.5	82.7	85.4	86.3	89.0	90.2	92.0	90.0	91.5				127.8
FREQ, SHIFT	1000	79.1	78.4	80.8	80.9	81.3	83.2	84.7	85.8	87.9	90.1	92.0	92.7	89.6	88.2				128.5
JET 0	1250	79.3	80.4	82.1	81.8	82.7	83.9	85.7	86.7	87.7	90.6	93.1	93.2	89.7	87.2				129.2
DIAMETER RATIO DF/DH 1.00	1600	79.3	82.2	83.2	83.8	84.8	86.2	87.0	87.7	88.3	92.0	93.3	92.2	90.4	87.5				129.8
	2000	81.4	82.6	83.5	86.2	87.2	87.4	87.5	88.8	90.2	92.9	93.9	93.8	91.4	88.0				131.0
	2500	81.6	84.6	86.3	86.2	86.4	87.7	88.2	90.2	91.3	94.3	95.0	94.4	91.7	89.0				132.0
	3150	82.8	85.4	86.8	87.5	88.4	89.1	90.3	91.4	92.3	93.9	96.4	95.6	93.1	90.6				133.4
	4000	82.2	85.2	87.0	87.8	89.4	90.6	91.4	93.2	94.6	97.2	97.3	96.3	94.6	91.5				134.7
	5000	83.8	86.3	87.9	88.9	90.1	92.1	93.1	95.3	96.9	99.0	99.5	98.9	96.3	93.9				136.7
	6300	85.9	88.1	89.8	92.0	91.7	93.5	94.2	96.7	97.6	100.7	100.9	100.5	99.4	97.1				138.5
	8000	86.6	88.9	90.9	91.3	92.9	94.7	94.6	96.8	98.5	102.0	101.8	102.3	100.7	99.5				139.8
	10000	87.9	88.8	91.1	91.9	93.1	94.3	94.9	96.9	99.0	101.6	102.0	102.9	101.6	101.7				140.5
	12500	86.5	89.0	91.4	92.1	93.5	94.3	94.8	96.7	98.4	100.0	100.6	101.8	101.3	101.2				140.1
	16000	85.7	89.7	91.0	92.0	93.7	93.5	93.9	95.1	96.4	98.3	98.4	99.7	100.0	99.3				138.9
	20000	83.8	88.3	89.3	90.3	90.6	91.1	91.7	93.2	94.1	95.6	96.0	97.2	96.5	96.3				136.8
	25000	81.6	87.0	88.8	89.4	90.4	89.4	89.3	90.0	91.8	92.3	93.0	93.9	94.0	93.0				134.9
	31500	77.2	82.7	85.0	86.2	86.5	87.8	87.1	87.8	87.7	89.9	89.8	90.7	91.0	88.9				132.4
	40000	73.3	78.5	80.8	82.1	82.2	83.4	83.2	84.3	84.4	86.0	85.2	86.6	87.5	86.0				129.3
	50000	69.6	74.5	76.8	78.3	78.0	78.8	79.1	81.3	80.8	84.2	81.9	84.1	84.7	83.1				127.2
	63000	68.2	70.9	73.1	74.8	74.6	74.6	75.3	79.9	78.6	83.5	79.6	82.0	82.0	80.8				126.9
	80000	67.6	67.4	68.7	70.7	72.0	70.8	72.4	78.9	76.5	85.0	79.2	81.6	81.8	78.5				129.5
OVERALL MEASURED																			
OVERALL CALCULATED		96.2	98.9	100.6	101.5	102.5	103.4	104.0	105.8	107.2	109.7	110.2	110.7	109.7	108.8				148.8
PND8		107.3	109.2	110.7	112.1	112.5	114.0	114.8	116.8	118.1	120.8	121.4	121.5	120.3	118.5				

ORIGINAL PAGE IS OF POOR QUALITY

MODEL SOUND PRESSURE LEVELS (59 DEG F, 70 PERCENT REL HUM, DAY - JENOTS)

REV, ALPHA 12/73	FREQ	30	40	50	60	70	80	90	100	110	120	130	140	150	160	0	0	0	PWL
		(0.52)	(0.70)	(0.87)	(1.05)	(1.22)	(1.40)	(1.57)	(1.75)	(1.92)	(2.09)	(2.27)	(2.44)	(2.62)	(2.79)	(0.0)	(0.0)	(0.0)	
		ANGLES FROM INCLT IN DEGREES (AND RADIANS)																	
NO EGA	50	64.1	66.6	64.6	65.2	65.0	64.8	65.9	66.5	66.9	66.8	68.5	70.3	72.8	75.0				108.8
RDG, NO	63	65.3	76.8	65.7	66.7	66.8	66.9	68.0	68.7	68.6	69.1	70.6	73.1	76.2	80.6				112.7
RADIAL	80	66.1	66.4	66.8	67.1	67.8	67.9	69.6	70.1	70.6	71.9	73.5	76.4	79.0	83.6				114.3
(12 M)	100	66.4	66.4	68.7	69.2	69.4	70.7	73.0	74.3	74.9	76.7	78.2	80.0	83.9	87.5				118.0
VEHICLE	125	69.2	68.7	68.7	70.7	70.2	73.2	76.2	75.7	76.7	78.2	80.0	83.9	87.5	90.5				121.2
CONFIG	160	73.9	72.2	72.7	73.2	73.7	76.7	77.9	77.9	80.4	80.9	81.7	84.9	88.6	90.9				122.6
LOC	200	76.0	76.3	74.0	75.3	75.8	77.5	78.3	79.9	80.8	82.3	83.1	87.6	90.2	94.0				124.7
EVENDALE	250	78.3	77.5	77.8	77.5	78.0	78.5	78.8	80.0	85.5	84.3	86.3	87.5	92.4	94.9				126.3
DATE	315	78.5	77.5	78.3	78.3	80.0	81.2	79.0	83.3	83.8	85.0	87.0	89.4	93.2	98.0				128.0
RUV	400	74.9	73.3	77.6	76.7	78.2	78.5	79.3	80.6	82.1	83.8	82.5	89.5	93.0	92.6				125.7
DETF	500	75.6	75.3	77.8	76.8	78.0	79.1	80.7	81.0	82.9	83.4	85.2	91.4	93.1	92.8				126.4
TAPE	630	75.8	77.8	79.2	77.2	79.5	79.0	81.9	82.4	83.7	83.2	85.2	90.3	91.9	92.8				126.1
BAR	800	77.7	78.9	78.9	77.8	80.3	80.0	81.9	82.9	84.0	86.3	87.0	90.3	90.7	92.5				126.3
29.9 HG	1000	78.1	79.6	79.5	79.2	79.8	81.4	82.9	83.3	84.1	86.6	86.5	89.4	88.9	87.7				125.5
(01039 N/M2)	1250	78.0	78.9	80.1	79.3	80.2	81.2	82.4	83.4	83.7	85.1	86.8	89.2	88.4	85.2				125.1
TAMB	1600	77.6	79.7	80.7	80.3	82.1	82.3	82.3	83.0	83.4	84.5	86.4	88.0	85.6	82.2				124.5
59 DEG F	2000	79.4	79.6	79.3	81.4	81.5	81.4	82.1	82.4	82.8	84.2	85.7	87.5	83.6	81.8				124.0
(288 DEG K)	2500	78.3	79.6	80.3	79.5	79.9	80.2	81.2	82.5	82.6	83.1	85.0	87.0	82.5	79.8				123.4
THET	3150	76.6	79.0	79.6	80.3	80.9	81.4	81.1	82.2	82.6	83.7	85.0	86.4	83.7	80.5				123.5
8.91 GM/M3	4000	75.0	78.3	79.3	79.4	80.0	80.9	81.0	82.3	82.9	83.8	85.4	86.1	82.9	80.9				123.5
(.00891 KG/M3)	5000	75.9	79.4	80.3	80.2	80.7	82.0	82.4	83.7	84.5	85.1	86.4	87.0	84.6	83.0				124.7
FREQ, SHIFT	6300	76.5	80.8	81.5	81.6	82.6	83.7	83.6	84.6	85.0	85.6	87.1	87.6	85.3	84.0				125.8
JET	8000	76.0	81.3	81.6	82.6	83.8	83.9	84.1	86.0	86.6	87.2	87.7	87.5	84.9	85.4				126.8
DIAMETER RATIO	10000	76.2	81.6	82.6	82.5	83.9	84.6	84.4	85.2	86.8	87.6	88.6	86.7	84.6	84.5				127.3
DF/DH 1.00	12500	73.6	79.9	81.5	81.2	83.3	83.1	83.9	85.7	85.7	87.0	87.7	85.6	83.3	83.0				126.7
	16000	71.2	78.0	79.3	79.4	81.5	81.0	82.2	83.7	83.9	84.6	85.5	83.5	81.3	80.4				125.2
	20000	88.3	78.1	76.1	76.6	77.9	78.3	79.2	81.0	81.6	82.1	82.2	80.5	78.0	77.1				122.7
	25000	66.0	73.0	73.7	74.6	75.8	76.6	77.0	78.7	79.2	79.8	78.7	77.1	75.5	73.7				120.8
	31500	62.7	69.5	70.1	71.0	71.8	73.4	74.2	75.9	76.0	77.0	75.9	74.8	73.9	70.2				118.4
	40000	59.9	66.6	67.3	68.1	68.7	69.7	70.2	72.3	72.9	73.0	71.7	69.9	69.1	67.3				115.4
	50000	57.5	63.7	64.2	65.0	65.4	67.2	67.7	70.1	70.1	71.0	68.8	68.5	67.1	65.7				114.0
	63000	56.8	60.5	60.7	61.6	61.9	65.4	65.9	68.5	67.9	70.1	67.6	67.1	66.3	66.4				114.3
	80000	54.5	57.4	57.2	58.4	59.2	66.3	66.3	69.0	66.7	71.2	68.0	68.0	67.3	67.5				117.6
OVERALL MEASURED																			
OVERALL CALCULATED		90.1	92.3	93.1	93.2	94.3	94.8	95.4	96.4	97.5	98.5	99.5	101.6	102.5	104.1				139.2
PND8		102.2	104.1	104.8	105.0	105.8	106.6	106.9	108.0	108.9	109.7	111.0	112.8	111.7	112.4				

ORIGINAL PAGE IS OF POOR QUALITY

MODEL SOUND PRESSURE LEVELS (59 DEG F, 70 PERCENT REL HUM, DAY - JENOTS)

REV, ALPHA 12/73	FREQ.	ANGLES FROM INLET IN DEGREES (AND RADIANS)																PWL	
		30	40	50	60	70	80	90	100	110	120	130	140	150	160	0	0		0
NO EGA	50	62.3	62.8	67.6	62.4	63.5	64.1	65.1	65.8	66.1	66.3	67.5	70.3	74.1	76.2				108.8
RDG, NO	63	64.1	66.6	67.7	65.2	65.8	66.9	67.8	68.2	68.6	69.1	70.8	73.6	77.2	80.3				112.0
RADIAL 40 FT	80	65.9	66.6	69.0	66.6	67.5	68.2	70.1	70.3	71.3	71.9	74.2	77.6	80.8	84.4				115.2
(12 M)	100	67.2	67.7	70.4	69.7	70.4	71.4	73.7	75.1	75.7	76.2	77.9	82.5	86.0	87.7				119.3
VEHICLE JENOTS	125	70.7	70.2	70.7	71.5	72.0	74.0	77.2	77.2	78.2	79.7	81.2	85.1	89.0	91.5				122.5
CONFIG JE-056	160	75.2	73.4	73.9	74.4	74.9	77.4	79.4	79.2	81.7	82.2	82.9	86.9	89.9	91.9				123.9
LOC EVENDALE	200	76.5	76.5	75.5	75.8	76.8	78.5	79.8	79.8	81.3	83.3	84.1	88.1	91.2	94.8				125.5
DATE 04-22-75	250	78.5	78.3	78.3	78.0	78.8	79.5	79.5	81.0	86.5	84.5	87.0	88.5	92.7	95.4				126.9
RUN DBTF-MODEL 2	315	79.0	79.5	79.3	79.0	80.5	81.2	80.0	84.0	83.8	85.5	87.5	89.1	92.9	98.0				128.0
TAPE X20020	400	75.9	74.5	78.3	77.7	80.7	79.5	80.3	81.8	83.3	85.6	83.0	90.3	93.5	92.9				126.4
BAR 29.9 HG	500	76.1	77.6	79.1	77.8	79.5	80.4	81.7	82.7	84.2	84.4	86.0	92.6	93.3	93.3				127.2
(01039 N/M2)	630	77.1	78.5	80.0	78.7	80.0	80.5	82.4	83.4	84.7	84.5	86.0	90.8	91.9	92.8				126.5
TAMB 59 DEG F	800	78.0	79.4	79.4	80.3	80.8	80.8	81.9	84.1	85.3	87.0	88.7	91.3	90.7	92.5				127.0
(288 DEG K)	1000	79.1	78.1	80.3	79.9	80.5	81.7	83.4	84.1	85.1	87.1	87.5	89.7	89.6	87.9				126.1
TWET 53 DEG F	1250	79.0	79.4	80.9	80.0	81.0	82.2	82.9	84.4	84.9	86.6	87.8	90.2	88.4	85.4				126.0
(285 DEG K)	1600	78.8	81.2	81.7	82.0	83.1	83.8	83.5	83.8	84.6	85.8	87.6	88.5	85.6	83.2				125.6
HACT 8.91 GM/M3	2000	80.1	80.6	81.3	83.7	83.7	83.6	83.3	84.1	84.5	85.4	87.0	88.3	84.9	82.8				125.5
(00891 KG/M3)	2500	79.6	81.1	83.0	82.3	82.1	83.0	83.2	84.7	85.1	85.6	87.0	88.5	84.7	82.0				125.5
FREQ, SHIFT	3150	78.6	81.2	82.3	83.3	84.2	84.4	84.1	84.9	85.6	86.9	88.5	89.2	85.9	84.0				126.5
JET 0	4000	77.3	81.3	82.3	82.4	83.0	84.2	84.7	85.5	86.1	87.5	89.1	89.4	86.9	84.9				126.9
DIAMETER RATIO	5000	78.1	83.4	83.5	84.0	84.2	85.2	86.4	87.4	88.7	89.4	90.9	91.3	88.4	87.5				128.7
DF/DH 1.00	6300	79.7	84.8	86.0	85.6	86.3	87.9	87.6	88.8	89.2	90.6	92.1	92.6	90.3	90.0				130.4
	8000	79.5	83.8	86.3	86.6	87.8	88.9	88.6	90.0	90.8	92.0	93.0	93.0	90.9	92.2				131.7
	10000	80.2	86.1	86.9	87.5	88.4	89.3	89.4	91.0	91.8	92.8	93.1	93.2	91.6	93.0				132.6
	12500	78.6	85.9	86.2	86.9	88.3	88.8	89.6	91.4	91.4	93.0	92.4	92.1	90.8	91.7				132.5
	16000	76.5	84.0	84.5	85.1	87.5	87.5	88.4	89.9	89.9	91.1	90.7	90.8	89.3	89.1				131.4
	20000	72.8	80.9	81.8	82.4	83.6	83.8	85.4	86.5	88.1	88.8	88.0	88.0	86.5	86.3				129.1
	25000	70.0	78.7	79.5	80.3	81.3	81.8	82.5	84.5	85.5	86.3	84.5	85.1	83.7	83.0				127.0
104	31500	66.2	73.0	75.6	77.9	77.6	79.1	80.0	81.6	82.9	83.5	82.2	82.0	80.6	79.2				124.7
	40000	63.4	71.8	73.3	73.9	74.7	75.0	76.2	77.6	78.9	79.2	77.4	77.9	76.6	76.1				121.5
	50000	60.2	68.2	69.7	70.7	70.6	71.9	72.9	74.9	75.6	76.8	74.3	75.7	75.1	74.9				119.7
	63000	57.1	64.3	67.2	68.6	68.4	68.7	69.4	72.2	72.4	73.6	70.9	75.3	74.8	75.4				119.4
	80000	54.8	59.1	64.9	66.2	67.4	67.0	67.6	70.5	68.7	72.7	69.0	76.5	76.0	77.0				121.9
OVERALL MEASURED																			
OVERALL CALCULATED		91.8	95.4	96.2	96.5	97.6	98.3	98.8	100.1	101.0	102.1	102.7	104.1	104.1	105.4				142.3
PND8		103.7	106.8	107.8	107.8	108.5	109.6	109.8	111.0	111.9	112.9	114.3	115.6	114.4	114.5				

MODEL: SOUND PRESSURE LEVELS (59 DEG F, 70 PERCENT REL HUM, DAY - JENOTS)

REV, ALPHA 12/73	FREQ	30	40	50	60	70	80	90	100	110	120	130	140	150	160	PHL
		(0.52)	(0.70)	(0.87)	(1.05)	(1.22)	(1.40)	(1.57)	(1.73)	(1.92)	(2.09)	(2.27)	(2.44)	(2.62)	(2.79)	(0.0)
		ANGLES FROM INLET IN DEGREES (AND RADIANS)														
NO EGA	50	65.8	67.3	68.6	69.9	71.2	72.5	73.8	75.1	76.4	77.7	79.0	80.3	81.6	82.9	113.7
RDG, NO	63	66.8	68.3	69.6	70.9	72.2	73.5	74.8	76.1	77.4	78.7	80.0	81.3	82.6	83.9	119.4
RADIAL 40 FT	80	69.1	70.6	71.9	73.2	74.5	75.8	77.1	78.4	79.7	81.0	82.3	83.6	84.9	86.2	119.7
(12 M)	100	89.9	91.4	92.7	94.0	95.3	96.6	97.9	99.2	100.5	101.8	103.1	104.4	105.7	107.0	122.0
VEHICLE JENOTS	125	73.0	74.5	75.8	77.1	78.4	79.7	81.0	82.3	83.6	84.9	86.2	87.5	88.8	90.1	124.7
CONFIG JE 056	160	77.2	78.7	80.0	81.3	82.6	83.9	85.2	86.5	87.8	89.1	90.4	91.7	93.0	94.3	125.8
LOC EVENDALE	200	77.8	79.3	80.6	81.9	83.2	84.5	85.8	87.1	88.4	89.7	91.0	92.3	93.6	94.9	127.3
DATE C4-22-75	250	80.3	81.8	83.1	84.4	85.7	87.0	88.3	89.6	90.9	92.2	93.5	94.8	96.1	97.4	128.1
RUN DBTF MODEL 2	315	80.3	81.8	83.1	84.4	85.7	87.0	88.3	89.6	90.9	92.2	93.5	94.8	96.1	97.4	129.3
TAPE X20030	400	76.9	78.4	79.7	81.0	82.3	83.6	84.9	86.2	87.5	88.8	90.1	91.4	92.7	94.0	128.0
BAR 29.9 HG	500	78.3	79.8	81.1	82.4	83.7	85.0	86.3	87.6	88.9	90.2	91.5	92.8	94.1	95.4	128.7
(01039 N/M2)	630	78.6	80.1	81.4	82.7	84.0	85.3	86.6	87.9	89.2	90.5	91.8	93.1	94.4	95.7	127.6
TAMB 59 DEG F	800	79.7	81.2	82.5	83.8	85.1	86.4	87.7	89.0	90.3	91.6	92.9	94.2	95.5	96.8	128.4
(288 DEG K)	1000	80.3	81.8	83.1	84.4	85.7	87.0	88.3	89.6	90.9	92.2	93.5	94.8	96.1	97.4	127.5
TWET 53 DEG F	1250	80.5	82.0	83.3	84.6	85.9	87.2	88.5	89.8	91.1	92.4	93.7	95.0	96.3	97.6	127.3
(285 DEG K)	1600	79.6	81.1	82.4	83.7	85.0	86.3	87.6	88.9	90.2	91.5	92.8	94.1	95.4	96.7	127.2
HACT 8.91 GM/M3	2000	81.6	83.1	84.4	85.7	87.0	88.3	89.6	90.9	92.2	93.5	94.8	96.1	97.4	98.7	127.5
(.0089 KG/M3)	2500	81.1	82.6	83.9	85.2	86.5	87.8	89.1	90.4	91.7	93.0	94.3	95.6	96.9	98.2	127.9
FREQ SHIFT	3150	80.1	81.6	82.9	84.2	85.5	86.8	88.1	89.4	90.7	92.0	93.3	94.6	95.9	97.2	129.0
JET 0	4000	79.8	81.3	82.6	83.9	85.2	86.5	87.8	89.1	90.4	91.7	93.0	94.3	95.6	96.9	129.9
DIAMETER RATIO	5000	81.4	82.9	84.2	85.5	86.8	88.1	89.4	90.7	92.0	93.3	94.6	95.9	97.2	98.5	131.1
DF/DH 1.00	6300	83.0	84.5	85.8	87.1	88.4	89.7	91.0	92.3	93.6	94.9	96.2	97.5	98.8	100.1	133.5
	8000	83.4	84.9	86.2	87.5	88.8	90.1	91.4	92.7	94.0	95.3	96.6	97.9	99.2	100.5	135.0
	10000	84.3	85.8	87.1	88.4	89.7	91.0	92.3	93.6	94.9	96.2	97.5	98.8	100.1	101.4	136.2
	12500	82.9	84.4	85.7	87.0	88.3	89.6	90.9	92.2	93.5	94.8	96.1	97.4	98.7	100.0	136.6
	16000	81.3	82.8	84.1	85.4	86.7	88.0	89.3	90.6	91.9	93.2	94.5	95.8	97.1	98.4	135.8
	20000	79.1	80.6	81.9	83.2	84.5	85.8	87.1	88.4	89.7	91.0	92.3	93.6	94.9	96.2	134.0
	25000	76.8	78.3	79.6	80.9	82.2	83.5	84.8	86.1	87.4	88.7	90.0	91.3	92.6	93.9	132.3
	31500	74.2	75.7	77.0	78.3	79.6	80.9	82.2	83.5	84.8	86.1	87.4	88.7	90.0	91.3	130.1
	40000	71.8	73.3	74.6	75.9	77.2	78.5	79.8	81.1	82.4	83.7	85.0	86.3	87.6	88.9	127.7
	50000	68.9	70.4	71.7	73.0	74.3	75.6	76.9	78.2	79.5	80.8	82.1	83.4	84.7	86.0	126.0
	63000	66.5	68.0	69.3	70.6	71.9	73.2	74.5	75.8	77.1	78.4	79.7	81.0	82.3	83.6	125.3
	80000	64.5	66.0	67.3	68.6	69.9	71.2	72.5	73.8	75.1	76.4	77.7	79.0	80.3	81.6	126.6
OVERALL MEASURED																
OVERALL CALCULATED		94.4	96.3	99.4	99.6	101.0	101.4	102.1	103.2	104.0	105.3	105.7	107.2	107.3	107.7	145.7
PNDR		106.0	107.3	110.4	110.3	111.5	112.2	112.6	113.6	114.3	115.9	116.9	118.1	117.3	116.4	

ORIGINAL PAGE IS OF POOR QUALITY

MODEL: SOUND PRESSURE LEVELS (59. DEG. F, 70 PERCENT REL. HUM. DAY - JENOTS)

		ANGLES FROM INLET IN DEGREES (AND RADIANS)																PWL:		
		30	40	50	60	70	80	90	100	110	120	130	140	150	160	(0)	(0)	(0)		
REV:	ALPHA 12/73 FREQ:	(0.52)	(0.70)	(0.87)	(1.05)	(1.22)	(1.40)	(1.57)	(1.75)	(1.92)	(2.09)	(2.27)	(2.44)	(2.62)	(2.79)	(0)	(0)	(0)		
	NO EGA	50	65.3	65.6	65.6	65.9	66.2	67.6	68.6	69.0	69.6	71.5	74.3	77.8	80.0				112.3	
	RDG, NO.	63	67.8	68.3	68.9	69.0	69.3	69.9	70.5	70.9	71.6	72.6	74.6	77.6	81.7	86.1				116.3
	RADIAL 40 FT	80	69.6	70.4	70.3	69.6	70.5	71.7	73.1	73.6	74.3	75.4	77.7	81.4	84.5	88.9				119.1
	(12: M)	100	70.9	71.2	72.9	72.9	73.4	74.7	76.5	77.8	78.7	79.4	80.9	85.8	90.3	91.2				122.9
	VEHICLE JENOTS	125	73.7	73.5	73.5	74.5	74.7	77.2	79.9	80.0	81.0	83.2	85.0	88.6	92.3	94.8				125.7
	CONFIG JE-056	160	78.9	76.7	76.9	77.4	78.2	80.9	82.6	82.4	83.2	85.9	86.7	90.7	93.6	95.4				127.5
	LOC EVENDALE	200	79.0	79.5	78.0	78.8	79.5	81.3	82.3	83.0	84.3	86.8	87.8	91.4	94.5	97.5				128.6
	DATE 04-22-75	250	81.5	81.3	80.8	80.8	81.3	82.0	82.5	83.3	88.3	87.8	89.3	91.5	95.7	97.4				129.4
	RUN DIST MODEL 2	315	81.3	80.5	82.0	81.3	83.0	84.2	82.8	86.0	86.8	87.3	89.8	92.1	95.9	100.0				130.4
	TAPE X20046	400	78.4	77.2	80.6	80.4	81.9	82.0	83.8	84.8	86.8	88.1	86.8	93.5	97.0	95.4				129.5
	BAR 29.9 HG	500	79.3	80.3	82.3	81.0	82.5	83.6	85.7	86.2	87.7	87.9	90.0	96.1	96.8	94.6				130.4
	(01039; N/M2)	630	79.6	81.7	83.0	82.0	83.0	83.5	85.4	86.6	88.2	88.0	90.2	94.6	95.4	93.1				129.7
	TAMB 59 DEG F	800	80.5	82.7	83.1	84.0	84.8	84.5	85.7	87.9	88.8	91.3	92.7	94.5	93.7	93.5				130.3
	(283; DEG K)	1000	82.1	82.1	84.0	83.7	84.3	85.7	87.2	87.6	88.6	90.8	92.2	93.2	91.4	88.9				129.5
	TWET 53 DEG F	1250	81.8	83.2	84.4	84.1	85.0	86.2	87.4	88.2	88.7	90.4	92.6	94.0	90.2	87.7				129.7
	(285; DEG K)	1600	81.3	84.2	85.4	85.0	86.3	87.0	87.3	88.8	88.4	90.3	91.4	91.7	88.9	85.7				129.2
	HACT 8.91 GM/M3	2000	83.1	84.4	85.1	87.2	88.0	88.1	88.1	88.4	89.3	90.7	92.0	92.3	89.4	86.3				129.9
	(.00891 KG/M3)	2500	83.1	85.6	87.3	87.0	87.4	88.0	88.5	89.2	90.4	91.9	92.3	92.5	89.2	86.6				130.5
	FREQ SHIFT	3150	82.6	85.7	87.1	88.3	89.4	89.4	89.9	90.5	90.9	93.2	93.5	93.7	90.9	89.0				131.8
	JET	4000	82.6	86.3	87.4	87.7	88.8	89.7	90.3	91.3	92.9	94.3	94.7	94.7	91.9	90.1				132.7
	DIAMETER RATIO	5000	83.9	89.2	88.5	89.0	90.0	90.8	92.2	93.2	94.8	96.7	96.1	96.8	94.2	92.3				134.6
	DF/DM 1.00	6300	85.8	90.8	91.3	91.6	91.6	93.2	93.2	94.4	95.6	97.9	97.9	98.2	96.3	95.3				135.3
		8000	86.1	91.2	91.7	92.4	93.6	94.7	94.6	95.6	96.9	99.0	98.5	99.6	97.0	97.8				137.7
		10000	87.5	91.7	93.0	92.8	94.5	95.2	95.5	96.8	98.2	99.9	99.4	100.8	98.7	99.6				139.1
		12500	86.4	91.7	92.3	92.5	94.4	94.9	96.0	97.6	98.0	99.4	99.5	100.5	99.4	100.3				139.5
		16000	85.6	90.4	90.9	91.2	93.9	94.4	95.3	97.0	97.8	98.4	98.1	100.4	99.1	99.5				139.2
106		20000	85.1	91.4	91.6	91.2	92.2	92.7	93.5	94.8	96.2	96.4	96.3	97.6	97.6	98.7				138.0
		25000	85.1	91.5	92.0	91.1	90.9	91.2	91.8	92.8	94.1	94.6	93.3	95.0	95.3	96.8				136.7
		31500	81.2	88.2	89.3	89.0	88.3	89.3	88.9	90.3	90.7	91.4	90.8	92.5	92.3	92.2				134.4
		40000	77.8	84.5	85.5	85.1	86.1	85.9	85.6	86.6	87.9	88.2	86.9	88.3	88.8	89.8				131.8
		50000	75.1	81.3	82.3	82.6	82.5	82.8	83.1	84.1	85.3	85.7	84.0	85.7	87.0	87.4				130.2
		63000	71.7	77.9	79.1	79.3	78.3	79.1	79.1	81.9	82.1	83.5	81.6	83.0	84.7	84.8				129.2
		80000	66.7	72.8	74.1	74.6	74.4	75.0	74.8	80.5	79.2	82.9	80.2	81.0	82.0	81.9				129.8
	OVERALL MEASURED		97.3	101.6	102.3	102.4	103.5	104.2	104.8	106.0	107.1	108.5	108.5	110.0	109.4	110.0				148.6
	OVERALL CALCULATED		108.2	111.8	112.5	112.8	113.4	114.5	114.9	115.9	117.2	119.1	119.4	120.5	119.3	118.6				

204

MODEL SOUND PRESSURE LEVELS (59 DEG, F, 70 PERCENT REL HUM, DAY - JENOTS)

REV. ALPHA 12/73	FREQ	ANGLES FROM INLET IN DEGREES (AND RADIANS)															PWL		
		30, (0.52)	40, (0.70)	50, (0.87)	60, (1.05)	70, (1.22)	80, (1.40)	90, (1.57)	100, (1.75)	110, (1.92)	120, (2.09)	130, (2.27)	140, (2.44)	150, (2.62)	160, (2.79)	0, (0)		0, (0)	0, (0)
NO EGA	50	66.1	68.8	66.9	66.7	67.5	67.8	69.1	70.0	70.6	71.8	73.3	76.5	79.6	83.2				114.3
RDG. NO. 0	80	68.8	70.1	70.7	70.5	71.0	71.9	72.5	72.9	73.1	74.1	76.6	79.9	83.5	87.6				118.0
RADIAL 40 FT	100	71.4	71.9	72.0	71.6	71.8	72.9	74.6	75.1	76.6	77.9	80.0	84.1	86.5	90.9				121.2
(12 M)	125	72.9	73.4	74.9	74.7	75.2	76.4	78.5	79.6	80.5	81.9	83.2	87.8	92.0	93.2				124.8
VEHICLE JENOTS:	160	76.5	76.0	75.7	76.5	76.5	79.0	82.2	81.7	83.0	85.2	87.0	90.9	94.5	96.5				127.8
CONFIG JE-056	200	80.7	78.9	78.7	79.4	79.9	82.7	85.1	84.2	87.2	87.7	88.4	92.2	95.6	97.4				129.4
LOC EVENDALE	250	80.8	81.5	79.8	80.8	81.5	83.5	84.8	85.3	86.3	88.8	89.6	93.4	96.7	99.5				130.6
DATE 04-22-75	315	83.0	83.3	82.5	82.5	83.5	84.3	84.3	84.8	85.8	89.3	91.3	94.3	97.9	99.4				131.5
RUN DBTF-MODEL 2	400	83.8	83.0	82.8	83.8	84.8	86.0	84.8	87.8	87.8	89.8	92.3	93.9	98.2	101.8				132.4
TAPE X20050	500	80.9	79.0	82.8	82.2	84.4	85.0	85.8	87.1	89.1	90.6	89.5	95.8	99.0	96.6				131.6
BAR 29.9 HG	630	81.3	82.8	84.6	83.3	84.7	85.9	87.2	88.5	89.2	90.4	93.0	98.6	99.3	96.1				132.8
(01039 N/M2)	800	82.1	84.0	85.0	84.2	85.5	85.3	87.9	88.6	90.4	90.4	93.0	97.1	97.9	94.6				132.1
TAMB 59 DEG F	1000	83.0	84.2	85.6	85.5	86.5	86.8	87.9	90.4	90.8	93.6	95.2	97.0	96.5	95.2				132.7
(288 DEG K)	1250	84.1	83.9	85.5	85.9	86.5	88.2	88.9	89.6	91.4	93.6	95.0	95.9	94.4	90.9				132.1
THET 53 DEG F	1600	84.3	84.9	86.1	86.1	87.0	88.2	89.4	90.4	90.9	93.6	95.9	96.5	92.7	89.7				132.3
(285 DEG K)	2000	83.6	86.2	86.7	87.0	88.6	89.3	90.0	90.5	91.9	93.5	95.1	95.0	91.9	88.2				132.1
HACT 8.91 GM/M3	2500	85.1	86.1	86.6	87.9	89.5	90.1	90.3	90.9	91.8	93.9	94.7	95.3	92.1	89.1				132.5
(90891 KG/M3)	3150	84.9	87.1	89.1	88.0	89.4	90.2	91.0	92.0	93.1	95.4	94.8	95.5	91.5	89.0				133.1
FREQ SHIFT	4000	84.9	87.5	88.6	89.5	90.9	91.2	91.6	93.0	93.6	96.7	96.3	96.5	94.2	91.2				134.3
JET	5000	84.5	88.6	89.4	89.7	90.8	91.4	93.2	94.3	95.2	98.0	97.4	97.4	95.2	92.9				135.5
DIAMETER RATIO	6300	86.4	91.2	90.8	91.0	91.5	93.0	94.5	95.4	97.2	99.2	98.6	99.3	97.2	95.0				137.0
DF/DM 1.00	8000	88.2	93.1	93.0	93.3	94.1	94.9	95.1	96.4	97.8	100.4	99.6	100.9	99.1	97.8				138.6
	10000	87.6	93.1	93.9	93.9	95.6	96.4	96.1	97.5	98.9	101.5	101.0	102.1	100.7	100.2				140.0
	12500	89.0	92.9	93.7	94.3	96.0	96.4	97.2	98.5	99.9	101.7	101.4	102.7	102.2	102.0				141.0
	15000	87.9	92.9	94.0	94.0	95.9	96.6	97.9	99.3	100.0	101.6	101.2	102.9	102.1	102.3				141.5
	16000	87.5	93.6	94.3	93.9	95.6	96.3	97.5	99.0	99.2	100.1	100.0	101.8	101.3	101.2				141.1
	20000	88.3	95.6	95.8	95.1	95.4	95.4	96.2	97.5	98.6	98.4	98.8	100.0	99.6	99.4				140.5
107	25000	88.5	97.0	98.0	96.6	95.6	94.8	94.7	96.0	96.3	97.1	96.8	97.7	98.3	97.5				140.1
	31500	83.1	91.1	92.4	92.9	93.5	93.5	93.1	93.5	93.2	93.9	93.3	95.1	95.4	93.6				137.6
	40000	80.5	88.2	89.2	89.5	89.3	89.6	89.3	90.5	90.6	90.9	89.8	91.0	92.4	91.4				135.0
	50000	77.3	86.0	87.8	87.1	86.0	86.5	86.8	87.8	87.5	88.4	86.9	88.9	90.2	89.1				133.5
	63000	73.9	82.9	84.5	84.0	83.6	84.1	83.5	85.4	85.1	85.7	84.3	86.0	87.9	86.5				132.7
	80000	69.2	79.1	80.9	80.1	80.4	81.0	80.5	82.7	82.1	83.9	81.7	82.7	85.2	83.4				132.8
OVERALL MEASURED																			
OVERALL CALCULATED		99.5	104.4	105.2	105.0	105.8	106.3	107.0	108.2	109.2	110.9	110.9	112.4	112.1	111.9				151.0
PND8		110.4	118.8	114.2	114.5	115.5	116.3	117.1	118.1	119.6	121.7	121.7	123.1	122.0	120.9				

ORIGINAL PAGE IS OF POOR QUALITY

MODEL SOUND PRESSURE LEVELS (59 DEG F, 70 PERCENT REL HUM, DAY - JENOTS)

ANGLES FROM INCLT IN DEGREES (AND RADIANS)

REV, ALPHA 12/73	FREQ.	30	40	50	60	70	80	90	100	110	120	130	140	150	160	0	0	0	PWL
		(0.52)	(0.70)	(0.87)	(1.05)	(1.22)	(1.40)	(1.57)	(1.75)	(1.92)	(2.09)	(2.27)	(2.44)	(2.62)	(2.79)	(0.0)	(0.0)	(0.0)	
NO EGA	50	65.1	66.6	69.6	69.7	70.5	69.6	71.4	69.0	69.9	69.1	69.3	71.8	74.6	77.2				111.7
RDG. NO. 0	63	65.8	69.8	70.2	70.5	71.0	70.7	71.8	69.9	70.4	70.3	71.6	74.9	78.2	87.1				115.9
RADIAL: 40 FT	80	67.1	69.1	70.8	70.9	71.5	71.9	72.8	72.1	72.8	72.6	75.2	78.6	81.5	86.1				116.8
(12 M)	100	68.4	69.2	71.4	71.9	73.2	73.4	73.5	73.8	76.5	76.9	78.7	83.5	87.0	88.7				120.4
VEHICLE JENOTS:	125	71.7	71.2	71.7	73.0	73.0	75.7	78.2	77.2	78.3	80.5	82.0	85.9	89.3	92.0				123.0
CONFIG JE-056	160	76.4	74.9	74.9	75.9	75.9	78.4	80.6	79.2	82.2	82.4	83.9	87.9	90.9	92.4				124.6
LOC EVENDALE	200	76.8	77.3	75.8	76.0	77.0	78.3	79.5	80.0	81.5	83.8	85.3	89.9	92.0	96.0				126.5
DATE 04-22-75	250	80.5	79.5	79.5	78.8	78.8	79.5	80.3	81.8	87.5	86.8	89.3	91.8	95.9	96.9				129.1
RUN DSTF-MODEL 2:	315	79.8	78.3	79.0	79.0	78.8	81.7	80.3	84.5	85.0	88.0	90.3	91.9	96.7	100.3				130.4
TAPE X20060	400	76.2	74.7	79.8	77.4	78.7	79.5	80.6	82.6	85.1	87.6	87.3	93.3	97.0	96.4				129.2
BAR 29.9 HG	500	76.8	77.6	78.8	77.5	78.5	79.4	81.7	82.5	84.4	85.4	87.5	94.4	96.1	94.8				128.8
(01039 N/M2)	630	77.6	78.0	78.7	77.7	79.2	79.3	81.6	82.4	84.4	85.2	87.7	93.1	95.2	95.1				128.3
TAMB 59 DEG F	800	77.2	78.7	79.4	79.8	80.5	80.0	81.7	84.1	85.3	87.8	90.0	92.5	93.5	94.0				128.2
(288 DEG K)	1000	78.3	77.6	79.8	79.4	79.8	81.2	83.2	83.6	85.1	87.8	88.5	91.4	90.4	89.2				126.7
THET 53 DEG F	1250	77.5	77.9	79.6	79.3	80.0	81.4	82.7	83.7	84.7	86.9	89.3	92.0	88.9	86.2				126.5
(285 DEG K)	1600	77.8	79.7	80.7	81.2	81.8	82.2	82.8	83.5	84.6	86.3	88.3	89.7	86.4	83.2				125.6
HACT 8.91 GM/M3	2000	79.1	79.1	79.8	81.7	82.5	82.4	82.3	83.3	84.2	84.9	87.4	88.5	85.1	82.5				125.0
(.00891 KG/M3)	2500	78.3	80.1	81.3	80.7	80.9	81.4	82.2	83.2	83.8	84.8	87.0	87.7	83.4	80.5				124.5
FREQ. SHIFT	3150	77.3	79.9	81.0	81.2	81.9	81.9	82.5	82.9	83.8	85.6	87.2	87.9	84.6	81.7				124.9
JET 0	4000	75.9	79.0	80.0	81.1	81.2	82.3	82.9	83.5	84.3	85.9	87.1	87.6	84.8	82.0				125.0
DIAMETER RATIO	5000	76.3	80.1	80.2	80.6	81.1	82.6	83.6	85.1	85.9	87.0	88.5	88.7	86.3	83.9				126.1
DF/DH 1.00	6300	77.1	81.4	81.8	82.2	83.0	84.8	84.5	86.2	86.9	87.8	89.2	89.8	87.2	85.9				127.4
	8000	76.4	81.7	82.4	82.9	84.7	85.5	85.9	87.1	88.1	88.5	89.1	90.4	87.8	86.5				128.4
	10000	76.7	81.9	83.2	83.0	84.4	85.3	85.7	87.2	87.1	89.9	90.0	89.2	87.9	86.8				129.0
	12500	74.6	81.1	82.2	82.7	84.3	84.8	85.9	86.7	87.7	88.8	88.9	88.4	86.1	85.0				128.5
	16000	73.2	79.5	80.5	80.8	82.5	83.5	83.9	85.4	86.2	87.3	87.2	86.3	84.5	82.4				127.2
	20000	69.3	76.6	77.8	78.1	79.6	80.3	81.4	82.7	84.1	84.3	84.2	83.2	80.8	79.1				124.9
	25000	67.0	74.2	75.2	76.3	77.1	78.4	78.2	79.8	80.5	81.3	80.8	80.2	78.5	76.2				122.4
	31500	62.9	70.4	71.5	72.4	73.5	75.0	75.6	77.3	77.4	78.7	78.1	76.4	75.7	72.6				120.0
	40000	60.8	67.0	68.2	69.0	70.3	70.6	71.6	73.0	74.6	74.9	74.6	73.2	72.4	72.2				117.2
	50000	57.9	63.8	65.1	65.6	66.8	68.3	68.4	70.5	71.1	72.7	74.2	72.7	72.3	73.6				116.4
	63000	57.2	68.4	61.1	61.8	65.6	67.6	66.1	69.2	68.4	71.3	75.3	74.3	73.7	76.0				118.2
	80000	57.2	58.8	56.8	57.6	65.3	68.4	66.7	69.7	65.8	72.1	77.1	76.1	76.4	77.3				122.5
OVERALL MEASURED		90.8	92.9	93.9	94.0	95.0	95.9	96.6	97.8	99.2	100.4	101.8	104.1	105.3	106.2				141.2
OVERALL CALCULATED		102.7	104.7	105.8	105.9	106.6	107.5	108.1	109.2	110.4	111.6	113.2	114.7	114.0	114.3				

206-

MODEL: SOUND PRESSURE LEVELS (59, DEG. F, 70 PERCENT REL. HUM, DAY - JENOTS)

REV. ALPHA 12/73	FREQ.	ANGLES FROM INLET IN DEGREES (AND RADIANS)																		PWL
		30.	40.	50.	60.	70.	80.	90.	100.	110.	120.	130.	140.	150.	160.	0.	0.	0.		
NO EGA	50	63.3	64.3	63.9	64.2	64.7	64.6	65.4	65.8	66.6	67.8	70.0	73.0	76.3	78.2				119.4	
RDG. NO. 0	63	65.8	66.6	67.2	67.2	67.5	67.9	68.3	68.7	69.4	70.8	73.6	77.1	80.5	82.1				114.1	
RADIAL 40, FT.	80	67.9	69.1	68.8	69.2	69.3	69.4	71.6	71.6	72.8	73.9	77.0	80.9	83.3	86.6				117.5	
(12, M)	100	69.4	69.9	71.4	71.9	71.7	73.4	75.7	76.6	77.2	78.7	80.7	85.3	89.3	89.9				121.9	
VEHICLE JENOTS:	125	73.5	72.7	72.7	73.0	73.5	76.0	78.7	78.2	80.2	82.0	84.0	88.4	91.8	94.0				125.0	
CONFIG JE-056	160	78.7	76.4	76.4	76.7	76.9	79.7	81.1	80.9	83.4	84.4	85.4	89.7	92.4	93.9				126.2	
LOC EVENDALE	200	78.3	78.8	76.3	77.5	77.8	79.8	80.5	80.8	82.8	85.0	87.1	91.4	94.5	97.3				128.1	
DATE 04-22-75	250	81.3	80.8	79.8	80.0	79.5	80.5	81.0	82.5	88.5	87.5	90.5	93.3	96.9	98.4				130.2	
RUN DBTF-MODEL 2:	315	81.3	79.8	79.5	80.0	81.3	83.0	81.0	85.3	86.5	88.3	91.3	93.1	97.7	102.3				131.9	
TAPE X20070	400	77.4	78.0	81.6	78.4	80.4	81.0	82.1	84.1	86.6	89.1	87.8	94.5	98.5	98.4				130.8	
BAR 29.9 HG	500	79.6	78.8	80.1	79.0	80.0	81.6	83.5	84.5	86.4	86.9	89.2	96.4	97.6	95.8				130.4	
(01039, N/M2)	630	77.8	79.2	80.2	79.2	81.0	80.8	83.4	84.6	87.2	86.7	89.5	94.8	96.4	96.8				129.9	
TAMB 59, DEG F	800	78.5	79.7	80.6	80.5	81.5	82.0	83.2	85.9	87.0	89.5	91.2	94.0	93.7	95.7				129.5	
(283, DEG K)	1000	79.6	78.9	80.5	80.7	81.0	82.7	84.4	85.1	86.6	89.1	90.2	93.2	91.8	90.4				128.2	
TWET 53, DEG F	1250	79.0	79.7	80.9	80.5	82.0	82.9	84.2	85.4	86.2	88.1	90.6	92.7	90.2	86.9				127.7	
(295, DEG K)	1600	78.8	81.2	82.4	82.2	83.6	84.0	84.5	85.5	86.1	87.5	89.6	90.7	88.1	84.7				127.1	
HACT 8.91 GM/M3	2000	80.6	80.8	82.0	84.2	84.2	84.9	84.5	85.3	86.0	86.9	89.2	89.8	86.4	84.3				126.8	
(.0089, KG/M3)	2500	80.1	83.1	84.5	83.2	83.1	84.2	84.7	86.2	86.1	87.6	89.0	89.7	86.2	83.8				127.0	
FREQ. SHIFT	3150	79.6	83.2	84.3	84.5	84.9	85.1	85.5	86.7	86.8	88.6	89.9	90.4	87.3	86.3				127.9	
JET	4000	78.9	82.2	83.8	84.3	84.9	85.8	86.1	87.2	88.1	89.4	91.1	90.8	88.3	85.8				128.6	
DIAMETER RATIO	5000	80.0	83.8	84.2	84.4	85.6	86.6	88.1	88.8	89.9	91.8	93.0	92.9	89.8	88.4				131.4	
DF/DH 1.00	6300	82.1	86.1	86.2	86.2	87.7	89.0	89.0	90.2	90.9	93.0	94.2	94.0	92.2	91.4				132.0	
	8000	82.1	86.4	88.2	88.1	89.2	90.5	90.1	91.6	92.6	94.0	94.6	94.9	93.8	93.8				133.4	
	10000	82.7	86.7	87.9	88.2	89.7	90.6	90.7	92.5	93.8	95.1	95.1	95.2	94.4	95.3				134.5	
	12500	81.6	86.4	88.2	87.9	89.8	90.1	90.9	92.7	93.2	95.0	93.9	94.6	94.3	94.5				134.4	
	16000	80.0	85.8	86.5	86.8	89.0	89.3	90.4	91.4	92.4	93.6	92.7	92.5	92.3	93.1				133.6	
	20000	77.6	82.9	83.6	84.4	85.9	86.6	87.9	89.2	90.3	90.8	89.5	89.5	89.8	89.6				131.4	
	25000	74.0	80.5	81.2	82.1	82.8	83.9	84.5	86.5	87.5	87.6	86.5	86.4	86.5	86.2				128.9	
	31500	70.6	76.7	77.5	78.7	79.0	81.0	81.6	83.8	83.9	85.2	83.6	83.2	83.5	82.4				126.4	
	40000	67.5	73.2	74.7	75.5	75.8	76.9	77.8	79.7	80.6	81.1	79.8	78.7	79.4	79.2				123.4	
	50000	64.4	69.8	71.1	72.1	72.8	73.6	74.1	76.0	76.8	79.2	77.2	76.7	77.0	76.6				121.5	
	63000	61.2	67.2	67.8	68.8	69.1	69.6	70.6	73.4	73.6	78.3	76.3	75.8	75.7	76.5				121.5	
	80000	58.7	66.0	65.3	67.1	67.6	67.7	68.2	70.9	69.3	80.1	77.1	76.9	76.4	77.1				124.7	
OVERALL MEASURED																				
OVERALL CALCULATED		93.6	98.5	97.5	97.6	98.8	99.7	100.3	101.7	102.8	104.3	104.9	106.7	107.5	108.6				144.6	
PND8		105.2	107.9	108.7	108.7	109.7	110.8	111.2	112.4	113.5	115.2	116.5	117.7	116.9	116.9					

109

ORIGINAL PAGE IS OF POOR QUALITY

MODEL SOUND PRESSURE LEVELS (59 DEG. F, 70 PERCENT REL. HUM. DAY - JENQTS)

REV, ALPHA 12/73	FREQ.	ANGLES FROM INLET IN DEGREES (AND RADIAN)															PWL		
		30	40	50	60	70	80	90	100	110	120	130	140	150	160	0		0	0
	50	65.6	66.1	66.1	65.9	66.2	66.6	67.1	68.0	69.1	69.3	71.5	74.8	78.6	80.0				112.3
NO EGA	63	87.3	69.1	68.7	68.7	69.0	69.4	70.3	70.4	70.6	71.6	74.8	78.4	82.0	85.3				116.0
RDG, NO. 0	80	70.4	70.4	70.0	69.4	69.5	70.7	72.6	72.8	74.1	75.4	78.2	82.4	85.3	88.4				119.2
RADIAL' 40, FT.	100	71.2	71.4	73.4	73.4	73.4	74.2	76.2	77.6	78.5	79.4	81.9	86.5	91.0	91.7				123.4
(12. M)	125	74.7	74.2	74.0	74.5	74.7	77.2	79.7	80.2	81.2	82.7	85.5	89.9	92.8	95.0				126.2
VEHICLE JENQTS.	160	79.9	77.7	77.4	77.7	78.2	80.7	82.9	82.4	85.2	86.2	87.2	91.2	94.4	95.1				127.8
CONFIG JE-056	200	80.0	79.8	77.8	78.8	79.0	81.0	82.3	83.0	84.8	87.0	88.8	92.6	95.7	99.0				129.6
LOC EVENDALE	250	83.0	82.3	81.3	80.8	81.3	82.0	83.0	84.0	89.8	88.5	91.5	94.3	98.9	99.1				131.5
DATE 04-22-75	315	82.3	81.0	83.5	81.5	82.8	84.0	82.8	86.5	87.0	89.5	91.8	94.4	99.2	103.3				133.0
RUN DBTF-MODEL 2	400	78.7	77.5	86.3	80.4	81.7	82.5	83.8	85.3	87.6	90.3	89.3	96.0	99.5	98.4				131.8
TARE X20080	500	79.6	80.6	82.1	80.5	82.2	83.6	85.2	86.0	88.2	88.7	90.5	97.1	98.6	96.8				131.5
BAR 29.9 HG	630	79.8	82.2	82.0	80.7	82.2	82.8	85.4	86.4	88.2	88.5	91.0	96.3	97.2	96.6				130.9
(01039, N/M2)	800	80.2	84.4	82.4	82.8	84.0	83.8	85.4	87.4	89.0	91.0	93.0	95.8	95.0	95.5				130.9
TAMB 59, DEG F	1000	81.1	81.1	83.0	83.2	83.5	84.7	86.4	86.8	88.1	90.6	92.5	94.9	92.1	90.4				129.8
(288, DEG K)	1250	80.5	81.9	83.1	82.3	84.0	84.7	85.7	87.2	87.9	90.1	92.3	94.5	90.9	87.7				129.4
THET 53, DEG F	1600	80.3	83.2	83.9	84.0	85.6	86.2	86.0	87.2	87.8	89.8	91.3	92.5	89.1	86.0				128.8
(285, DEG K)	2000	82.3	83.1	84.3	86.4	86.5	86.6	86.5	87.3	88.0	89.9	91.2	91.8	88.6	85.5				129.0
HACT 8.91 GM/M3	2500	81.8	84.8	86.8	86.0	86.4	86.9	88.0	88.4	88.5	89.8	91.5	92.0	88.4	85.7				129.4
(.00891 KG/M3)	3150	81.3	85.7	86.8	87.2	87.6	88.3	88.8	88.9	89.6	92.1	92.4	92.6	90.1	87.9				130.6
FREQ, SHIFT	4000	80.9	84.9	86.2	86.8	87.4	88.1	89.1	90.5	91.3	93.2	93.1	93.8	91.6	88.5				131.5
JET 0	5000	81.8	86.0	87.1	87.4	88.3	89.4	90.6	91.3	93.1	95.3	95.5	95.7	93.5	91.1				133.3
DIAMETER RATIO	6300	83.8	88.9	89.5	89.6	90.4	91.5	92.2	92.9	94.1	96.5	96.7	97.2	95.6	94.1				135.0
DF/DM 1.00	8000	84.3	89.6	90.6	90.8	92.3	92.9	93.1	94.5	95.8	97.0	97.7	98.6	97.7	96.7				136.6
	10000	85.4	89.3	90.8	90.7	93.1	93.8	93.9	95.4	97.3	98.5	98.5	99.4	98.8	98.7				137.9
	12500	84.5	90.0	91.1	91.4	93.0	93.7	94.5	96.1	96.6	98.2	98.3	99.3	99.2	98.9				138.3
	16000	83.6	88.9	90.2	90.5	92.7	92.7	94.3	95.6	96.1	97.0	96.6	97.9	98.2	97.3				137.7
111	20000	81.5	88.5	88.7	89.0	90.3	90.5	92.1	93.4	95.0	94.7	94.6	95.9	96.9	96.7				136.4
	25000	77.9	86.4	86.9	87.3	87.5	88.0	88.9	90.7	91.4	91.7	90.4	92.1	92.9	93.4				133.6
	31500	75.0	84.6	84.9	84.6	84.7	85.2	86.0	88.2	88.1	88.8	87.5	88.8	89.6	88.8				131.2
	40000	72.2	81.4	81.4	82.7	82.8	82.1	82.0	84.2	84.8	84.6	83.3	84.4	86.4	85.9				128.5
	50000	68.4	75.4	77.6	78.4	78.3	79.4	79.4	81.3	81.6	82.7	80.5	82.2	83.6	82.9				126.6
	63000	66.5	72.2	74.1	74.8	74.4	75.1	75.1	79.7	79.4	81.3	78.1	79.3	81.5	80.8				125.9
	80000	65.9	67.5	69.3	70.1	70.3	70.9	70.7	78.9	77.4	81.6	77.2	78.4	79.4	78.9				127.4
OVERALL MEASURED																			
OVERALL CALCULATED		95.7	99.5	100.7	100.7	102.0	102.6	103.4	104.5	105.9	107.2	107.7	109.5	110.0	110.3				147.5
PND8		106.9	118.3	111.4	111.4	112.2	113.1	113.9	114.8	116.1	118.1	118.8	120.2	119.4	118.5				

202

		ANGLES FROM INLET IN DEGREES (AND RADIAN)																	PWL
		30.	40.	50.	60.	70.	80.	90.	100.	110.	120.	130.	140.	150.	160.	0.	0.	0.	
REV: ALPHA 12/73	FREQ.	(0.52)	(0.70)	(0.97)	(1.05)	(1.22)	(1.40)	(1.77)	(1.75)	(1.92)	(2.09)	(2.27)	(2.44)	(2.62)	(2.79)	(0.)	(0.)	(0.)	
NO EGA	50	66,1	66,3	66,9	66,9	67,7	68,8	69,9	69,8	70,6	71,8	74,3	77,0	80,1	81,7				114,2
RDG. NO.	63	66,3	69,3	69,9	70,5	70,8	71,4	72,3	72,2	72,9	74,6	77,1	80,6	84,0	87,1				118,0
RADIAL	80	71,6	71,6	72,0	71,4	72,3	72,7	74,1	75,1	76,1	77,4	80,0	84,1	86,8	89,9				120,8
(40, FT.)	100	72,7	73,2	75,2	75,2	74,7	76,2	78,5	79,3	80,7	81,7	83,9	88,3	92,8	93,2				125,2
(12, M)	125	77,0	78,5	76,0	76,5	76,0	77,2	81,9	81,7	83,2	85,0	87,0	91,4	94,5	96,8				127,9
VEHICLE	JENOTS	160	81,7	79,7	79,4	80,2	82,9	85,1	84,2	87,2	87,7	88,9	92,7	95,6	97,1				129,4
COYFIG	JE-056	200	81,0	81,0	79,8	81,3	83,0	84,3	84,5	86,5	88,5	90,1	94,9	97,2	99,8				131,0
LOC	EVENDALE	250	83,8	83,5	82,3	82,5	81,8	83,8	84,0	84,3	86,5	90,3	93,3	96,0	100,2	100,1			132,9
DATE	04-22-75	315	84,0	82,3	82,5	83,3	84,3	85,2	84,0	87,8	88,6	90,5	93,5	96,1	100,9	100,9			134,1
RUN	DBTF-MODEL 2	400	80,7	79,2	83,1	81,7	83,7	84,0	83,3	87,1	88,3	91,8	89,8	97,0	100,7	100,7			133,0
TAPE	X20098	500	81,1	81,8	83,6	82,8	84,0	85,4	87,2	88,0	89,7	90,7	93,5	99,1	100,3	100,3			133,4
BAR	29,9 HG	630	81,7	83,0	84,2	82,7	84,5	87,4	88,1	89,9	90,8	93,2	97,6	99,2	96,1				132,5
(01039, N/M2)	800	81,7	83,7	84,4	85,0	85,8	86,5	87,2	87,9	90,8	93,3	95,2	97,5	96,7	96,2				132,7
TAMB	59,1 DEG F	1000	83,3	82,9	85,3	84,9	85,8	86,7	88,4	89,1	91,1	92,8	94,2	95,7	93,6	91,4			131,5
(288, DEG K)	1250	83,0	84,3	85,3	85,3	86,2	87,4	88,2	89,4	90,4	92,4	95,3	96,2	91,7	89,2				131,6
TWET	53, DEG F	1600	82,8	85,3	85,7	86,0	87,6	88,0	88,5	89,5	90,6	92,3	94,1	94,2	90,6	87,2			131,0
(285, DEG K)	2000	84,1	84,8	86,0	87,9	89,0	88,6	89,3	89,8	90,8	92,4	93,9	94,0	91,1	87,5				131,3
MACT	8,91 GM/M3	2500	83,8	87,3	89,0	88,0	88,4	88,9	89,7	90,7	91,8	94,1	94,0	90,7	87,5				132,0
(1,00891 KG/M3)	3150	84,1	87,9	89,5	89,5	90,1	90,3	90,8	91,9	92,6	95,1	94,7	94,9	92,8	89,9				133,2
FREQ. SHIFT	4000	83,2	86,9	88,2	89,3	89,9	90,8	91,9	93,5	94,1	96,4	96,1	95,8	93,8	90,8				134,2
JET	0	5000	84,0	88,5	89,4	89,9	90,8	91,6	93,1	94,8	96,1	98,3	97,5	98,2	93,4				135,9
DIAMETER RATIO	6300	86,0	91,4	91,8	91,4	92,9	93,5	93,9	95,4	96,1	99,2	99,2	100,0	97,9	96,4				137,5
DF/DM	1.00	8000	87,1	92,1	92,6	92,8	94,3	94,9	94,6	96,5	97,6	100,5	100,2	101,3	99,5	98,5			138,9
	10000	87,6	92,6	93,1	93,9	95,6	96,0	96,1	98,2	99,3	100,8	100,5	101,6	100,8	100,2				140,1
	12500	87,0	93,3	93,9	94,1	95,5	96,0	97,3	98,6	99,1	100,7	100,6	101,5	101,0	100,6				140,6
	15000	85,9	91,7	92,7	93,0	94,9	95,4	96,5	98,1	98,3	99,0	99,4	100,7	100,2	100,0				140,1
III	20000	86,0	93,5	93,5	93,0	93,8	93,2	94,6	95,9	97,5	97,2	97,1	98,1	98,2	97,7				138,9
	25000	85,2	94,6	94,1	93,3	91,8	92,0	91,7	93,4	94,2	94,7	93,7	95,6	95,9	95,6				137,4
	31500	79,3	88,3	89,1	89,8	89,7	89,0	89,3	90,2	90,4	92,1	90,7	92,1	92,1	91,3				134,5
	40000	75,2	83,9	84,9	85,5	86,3	85,6	85,8	86,4	87,3	87,6	86,3	87,7	88,9	88,4				131,4
	50000	72,7	81,9	82,4	81,9	81,8	82,4	83,6	83,6	83,9	85,2	83,5	85,2	86,6	85,4				129,5
	63000	68,8	78,7	78,4	78,8	77,9	77,9	79,1	81,4	81,4	80,9	83,3	80,4	81,8	83,8				128,5
	80000	66,9	71,8	73,3	73,6	73,1	77,9	77,5	80,2	78,1	83,1	78,7	79,9	80,9	80,4				129,5
OVERALL MEASURED																			
OVERALL CALCULATED		68,1	102,9	103,5	103,8	104,5	105,0	105,7	107,2	108,2	109,8	110,1	111,6	111,8	111,6				149,9
PNOB		109,1	112,6	113,4	113,4	114,6	115,2	115,9	117,4	118,7	120,8	121,1	122,5	121,5	120,2				

ORIGINAL PAGE IS OF POOR QUALITY

MODEL SOUND PRESSURE LEVELS (59 DEG. F., 70 PERCENT REL. HUM. DAY - JENOTS)

ANGLES FROM INLET IN DEGREES (AND RADIANS)

REV, ALPHA 12/73	FREQ	30	40	50	60	70	80	90	100	110	120	130	140	150	160	PWL	
		(0.52)	(0.70)	(0.87)	(1.05)	(1.22)	(1.40)	(1.57)	(1.75)	(1.92)	(2.09)	(2.27)	(2.44)	(2.62)	(2.79)	(0.)	
NO EGA	50	67.3	68.6	69.1	69.4	69.7	69.3	70.1	70.8	71.4	72.3	75.5	96.3	82.6	84.0	125.5	
RDG, NO.	63	70.1	70.8	71.2	71.0	72.0	72.7	73.8	74.2	74.6	75.8	78.8	109.6	86.0	88.8	138.5	
RADIAL, 40, FT.	80	72.9	73.4	73.3	73.4	74.3	74.7	77.1	76.8	78.1	79.6	82.2	91.6	88.8	92.1	124.4	
(12, M)	100	75.4	75.4	77.4	77.4	77.4	78.2	80.2	81.6	82.0	83.2	85.9	94.3	94.5	95.2	128.0	
VEHICLE JENOTS:	125	79.0	78.2	78.2	78.2	78.2	78.5	81.0	83.4	83.7	84.7	87.0	89.2	97.1	96.8	130.8	
CONFIG JE-D56	160	83.4	81.2	81.7	82.4	82.2	84.9	86.9	86.7	89.2	89.7	91.4	98.7	98.1	98.9	132.5	
LOC EVENDALE	200	83.3	83.5	81.8	82.0	83.8	85.3	86.5	87.0	88.8	91.0	93.1	101.4	100.2	102.0	134.6	
DATE 04-22-75	250	85.9	85.5	84.5	84.8	85.0	85.8	86.3	87.0	92.8	91.8	95.3	102.3	102.2	102.1	135.8	
RUN DBTP-MODEL 2.	315	86.3	84.5	85.3	85.0	86.3	87.2	87.5	90.0	90.0	92.5	96.3	101.9	103.4	105.5	136.9	
TAPE X20100	400	82.9	81.5	88.6	83.7	85.7	86.7	87.3	89.3	91.6	93.8	93.0	103.5	104.0	100.9	136.6	
BAR 29.9 HG	500	84.1	84.6	86.1	85.0	86.5	87.9	89.2	90.5	92.2	93.4	96.2	104.9	102.8	99.6	137.0	
(01039, N/M2)	630	83.8	84.2	86.2	85.2	86.5	87.0	89.4	90.6	92.7	93.5	96.5	104.3	101.4	97.8	136.4	
TAMB 59, DEG F	800	84.2	83.9	87.1	87.5	88.3	88.5	90.2	92.1	93.8	96.3	98.2	104.0	99.2	98.0	136.6	
(285, DEG K)	1000	86.1	85.4	87.5	87.7	88.8	89.4	90.9	91.6	93.6	96.8	97.7	102.9	96.9	93.4	135.8	
THET 53, DEG F	1250	85.5	86.7	87.6	87.5	88.7	89.9	90.9	92.7	93.4	96.4	98.3	102.7	94.7	91.7	135.7	
(285, DEG K)	1600	85.1	87.7	87.9	88.2	89.6	90.5	91.8	92.7	93.8	96.3	97.1	101.0	94.4	90.0	135.0	
HACT 8.91 GM/M3	2000	86.8	87.3	88.0	90.2	90.5	91.4	91.5	92.6	94.5	96.1	97.4	101.0	94.4	91.0	135.3	
(.00891 KG/M3)	2500	86.8	89.3	90.5	89.5	90.6	91.2	92.5	93.2	94.8	96.8	96.5	101.2	93.9	91.0	135.5	
FREQ. SHIFT	3150	86.6	90.2	90.5	91.2	92.4	92.8	93.8	94.6	95.8	98.4	97.9	102.6	95.8	91.9	136.9	
JET 0	4000	85.7	88.9	90.2	90.8	92.1	93.1	94.6	95.5	97.3	99.4	98.6	103.1	97.1	94.0	137.7	
DIAMETER RATIO	5000	87.3	91.3	91.1	91.1	92.6	94.4	95.8	97.3	99.6	100.8	100.5	104.9	99.3	96.9	139.5	
DE/DH 1.00	6300	88.8	93.4	92.5	93.4	93.9	95.7	96.2	97.9	99.8	101.5	101.4	106.0	101.1	98.9	140.6	
	8000	89.1	94.1	94.4	94.6	95.8	96.7	96.8	98.3	99.5	101.3	102.5	102.0	107.1	102.0	100.7	141.8
	10000	90.4	94.1	93.8	94.9	97.1	97.0	97.9	99.4	101.0	102.5	102.8	107.6	103.3	102.4	102.4	142.8
	12500	90.0	94.5	94.9	95.4	96.3	97.2	98.5	99.6	101.1	102.4	102.3	107.5	103.5	102.9	102.9	143.1
	15000	90.4	95.2	95.4	94.7	96.4	96.9	98.3	99.6	99.8	100.5	100.9	105.7	102.2	101.0	101.0	142.4
	20000	90.2	97.3	96.7	95.0	95.8	95.2	96.8	97.9	98.5	98.7	98.6	103.4	98.9	97.5	101.2	141.2
	25000	88.2	95.1	96.4	96.0	95.5	94.3	94.7	95.9	96.2	95.7	95.4	100.6	96.7	94.6	101.2	139.7
	31500	82.5	86.8	90.6	91.1	92.0	93.0	92.3	92.7	92.1	93.1	93.0	97.6	94.1	90.8	101.2	137.0
	40000	80.0	86.7	87.4	87.5	87.0	87.6	87.8	89.2	89.1	89.3	88.5	93.2	90.9	88.6	101.2	133.8
	50000	76.7	83.6	85.1	85.2	84.6	84.6	84.9	86.1	86.1	87.0	85.5	91.5	88.1	84.9	101.2	132.3
	63000	73.0	80.0	81.6	81.3	81.4	81.6	81.4	83.7	83.4	85.3	82.6	89.3	85.5	82.8	101.2	131.5
	80000	89.2	73.5	77.8	78.6	78.8	78.9	79.0	81.9	79.9	84.1	79.9	88.2	82.2	80.4	101.2	132.3
OVERALL MEASURED																	
OVERALL CALCULATED		101.0	105.0	105.4	105.3	106.3	106.9	107.9	109.2	110.5	112.1	112.4	118.4	114.3	113.4		153.0
PND8		111.7	114.7	114.9	115.3	116.2	117.5	118.5	119.8	121.8	123.4	123.7	129.1	124.4	122.5		

MODEL SOUND PRESSURE LEVELS (59 DEG F, 70 PERCENT REL HUM, DAY - JENOTS)

		ANGLES FROM INLET IN DEGREES (AND RADIANS)																		PWL
		30	40	50	60	70	80	90	100	110	120	130	140	150	160	0	0	0		
		(0.52)	(0.70)	(0.87)	(1.05)	(1.22)	(1.40)	(1.57)	(1.75)	(1.92)	(2.09)	(2.27)	(2.44)	(2.62)	(2.79)	(0)	(0)	(0)		
REV, ALPHA	12/73	FREQ	50	65.3	67.3	68.6	68.9	70.2	70.1	69.4	69.5	70.6	71.8	72.5	77.0	77.8	78.5		113.2	
	NO EGA		63	66.6	68.1	69.7	70.0	71.0	70.9	73.3	71.2	72.4	73.3	75.3	80.9	80.7	82.1		115.9	
ROG. NO.	0		80	68.4	68.9	70.0	70.4	72.0	71.9	72.6	72.9	74.1	75.4	77.7	81.6	84.0	86.6		118.2	
RADIAL	40 FT		100	69.4	69.4	72.2	72.4	72.9	74.2	75.7	76.8	78.0	78.9	80.4	85.8	89.0	89.4		121.9	
	(12 M)		125	73.2	72.7	72.7	73.7	73.5	76.0	78.4	78.2	80.0	82.0	83.7	87.9	91.3	92.8		124.4	
VEHICLE	JENOTS		160	78.9	76.2	75.9	76.4	76.9	79.7	81.1	80.4	83.7	83.9	84.9	89.4	92.1	93.1		125.8	
CONFIG	JE-056		200	78.5	78.3	76.3	77.8	78.0	79.5	80.0	81.3	82.5	85.0	87.8	91.9	94.5	97.0		128.1	
LOC	EVENDALE		230	81.3	80.8	80.0	80.5	79.8	80.8	82.0	82.9	88.8	88.5	92.5	94.3	98.4	99.1		131.3	
DATE	04-22-75		315	81.8	80.0	82.0	81.0	82.0	83.2	82.5	86.5	87.3	90.3	92.8	95.1	99.7	103.8		133.5	
RUN	DBTF-MODEL 2		400	78.9	77.2	87.8	79.7	81.2	81.7	83.6	85.8	89.1	91.3	91.3	97.5	101.0	100.6		133.3	
TAPE	X20110		500	80.1	79.8	81.3	79.0	80.5	81.6	83.7	85.0	86.7	87.9	90.5	98.1	99.8	97.6		132.1	
BAR	29.9 HG		630	79.6	80.0	80.2	79.5	81.0	81.3	83.6	83.4	87.7	88.5	92.2	97.3	99.2	100.3		132.4	
	(0.103 N/M2)		800	79.2	80.4	80.4	81.0	82.3	82.3	83.4	86.4	87.0	90.5	93.5	96.0	96.0	98.7		131.4	
TAMB	59 DEG F		1000	80.1	78.9	81.0	81.4	81.5	82.9	84.9	86.3	87.6	90.6	92.0	95.7	94.1	93.7		130.1	
	(288 DEG K)		1250	78.5	77.7	80.1	80.5	81.7	83.4	84.7	86.2	87.7	90.1	93.1	95.2	92.9	89.7		129.7	
THET	53 DEG F		1600	78.6	80.7	80.9	81.8	83.1	84.0	85.0	86.0	86.8	89.0	91.6	92.5	90.1	87.0		128.2	
	(285 DEG K)		2000	80.1	80.3	80.8	83.7	84.0	84.1	84.5	85.3	86.5	88.1	90.9	91.3	88.1	85.0		127.6	
HACT	8.91 GH/M3		2500	79.1	80.8	82.3	81.5	81.9	82.7	84.0	85.2	86.1	87.9	89.3	90.0	85.9	82.8		126.6	
	(0.00891 KG/M3)		3150	78.6	81.4	82.3	83.0	82.9	83.4	84.0	85.4	85.8	87.9	89.7	89.9	86.6	83.9		126.9	
FREQ	SHIFT		4000	77.0	81.0	82.0	82.1	83.7	84.4	84.7	86.0	86.3	88.4	88.8	89.1	86.8	84.3		127.0	
	JET		5000	77.8	81.3	81.9	82.4	83.1	84.9	85.8	86.8	87.4	89.6	90.5	90.7	88.3	86.4		128.2	
DIAMETER RATIO			6300	78.3	82.6	82.8	84.2	85.0	86.5	86.2	88.0	88.4	90.0	91.2	91.3	89.4	88.2		129.2	
	DF/DN 1.00		8000	78.6	83.9	84.2	84.7	85.9	86.7	87.6	89.9	89.9	90.5	91.3	91.6	89.8	90.5		130.3	
			10000	78.7	83.7	84.4	85.3	86.7	87.1	88.0	88.8	90.6	91.9	90.9	90.7	90.2	91.0		130.8	
			12500	77.1	83.2	83.8	84.7	86.6	86.9	88.7	89.0	89.7	91.3	90.7	90.4	89.4	89.5		130.8	
			16000	75.3	82.1	82.6	82.9	85.3	85.3	87.2	88.2	88.5	88.9	88.8	88.3	87.3	87.2		129.5	
III			20000	71.6	78.4	79.4	80.4	81.7	82.1	84.0	85.5	86.4	86.6	85.6	85.1	83.6	83.4		127.1	
			25000	68.6	75.6	77.1	77.7	78.7	79.2	80.1	82.6	83.1	82.9	81.8	81.7	80.8	79.8		124.3	
			31500	64.4	72.0	72.8	73.8	74.1	75.9	77.2	79.1	79.3	80.0	78.4	78.0	77.0	75.4		121.3	
			40000	60.8	68.5	70.0	70.8	70.6	71.5	72.6	74.3	75.2	75.5	73.4	73.8	73.8	73.3		117.9	
			50000	57.5	63.9	66.4	67.2	67.7	69.7	69.7	71.2	71.2	72.8	69.6	73.5	73.1	73.7		116.3	
			63000	55.3	60.3	64.2	65.9	66.0	66.2	66.7	69.3	68.2	72.6	67.7	74.8	74.8	76.1		117.8	
			80000	54.0	56.8	63.6	65.6	66.4	66.7	66.6	69.5	66.7	73.4	67.5	76.7	76.7	77.9		121.9	
OVERALL MEASURED				92.5	94.5	95.8	95.7	96.8	97.6	98.7	100.0	101.3	102.9	104.4	107.1	108.5	109.4		143.8	
OVERALL CALCULATED				104.1	106.2	107.2	107.5	108.3	109.2	110.0	111.3	112.3	114.2	115.7	117.2	117.1	117.4			
				PNDB																

ORIGINAL PAGE IS OF POOR QUALITY

MODEL SOUND PRESSURE LEVELS (99.1 DEG. F., 70 PERCENT REL. HUM. DAY - JENOTS)

RBV, ALPHA 12/73	FREQ.	ANGLES FROM INLET IN DEGREES (AND RADIANS)																PHLI	
		30. (0.52)	40. (0.70)	50. (0.87)	60. (1.05)	70. (1.22)	80. (1.40)	90. (1.57)	100. (1.75)	110. (1.92)	120. (2.09)	130. (2.27)	140. (2.44)	150. (2.62)	160. (2.79)	(0.0)	(0.0)		(0.0)
NO EGA	50	66.3	67.3	68.4	67.9	69.2	74.1	71.4	72.3	73.4	79.1	76.0	77.0	80.1	83.7				116.3
RDG, NO. 0.	63	67.6	70.6	70.2	69.7	70.9	73.4	74.0	73.4	73.9	80.8	78.1	79.6	82.7	89.3				119.3
RADIAL 40, FT.	80	69.9	70.1	70.5	69.9	71.5	74.7	74.3	75.6	75.3	79.6	80.0	83.1	86.0	89.9				120.6
(12, M)	100	71.7	71.2	73.7	73.2	73.2	76.2	77.2	78.6	79.5	86.7	83.2	87.5	91.5	92.4				124.7
VEHICLE JENOTS:	125	75.2	74.5	74.2	74.2	74.5	78.7	80.7	80.5	81.7	90.2	85.5	89.9	92.8	95.0				127.1
CONFIG JENOTS:	160	80.4	77.9	77.4	77.4	78.2	81.4	82.6	82.2	85.2	87.7	87.2	91.4	94.1	96.4				128.2
LOC EVENDALE	200	80.0	79.8	77.5	78.3	79.0	81.3	82.0	82.8	84.5	87.5	89.3	93.9	96.5	99.3				130.2
DATE 04-22-75	250	82.8	82.3	81.3	81.0	81.0	82.0	83.0	84.8	90.0	89.8	93.3	96.3	99.9	100.1				132.7
RUN DBTF-MODEL 2.	315	83.3	81.5	81.0	81.3	83.3	84.0	83.3	83.5	87.8	90.0	93.3	94.0	101.4	104.3				134.5
TAPE X20120	400	79.9	78.2	80.1	81.2	82.2	82.5	84.3	86.8	89.3	91.8	91.5	98.3	101.7	101.1				133.9
BAR 29.9 HG	500	81.1	81.8	81.6	80.5	82.0	83.4	85.0	86.2	88.2	89.2	92.0	99.1	101.3	98.6				133.4
(101039, N/M2)	630	81.6	81.2	82.0	80.7	82.0	82.5	85.4	86.6	88.7	89.5	92.5	98.3	100.4	98.8				133.0
TAMB 59, DEG F	800	80.5	81.7	82.1	82.5	83.5	83.8	85.4	87.6	89.0	91.8	94.2	97.3	97.5	97.2				132.2
(288, DEG K)	1000	81.1	80.6	82.3	82.2	83.0	84.2	85.9	87.1	88.9	91.3	93.0	95.7	93.9	92.7				130.4
TWET 93, DEG F	1250	80.2	80.7	82.4	81.8	83.0	84.4	85.9	87.7	88.2	90.6	93.3	95.7	91.9	88.9				130.1
(285, DEG K)	1600	79.3	82.0	83.2	83.5	84.8	85.5	86.0	87.2	87.8	89.8	92.1	93.2	89.6	86.5				129.0
HACT 8.91 GM/M3	2000	81.6	82.3	83.5	85.2	86.2	86.1	86.3	87.3	87.5	88.6	91.2	91.8	88.1	85.5				128.6
(10009, KG/M3)	2500	80.6	83.3	85.3	84.5	84.4	86.0	86.0	86.9	87.6	89.9	90.5	91.2	87.2	84.3				129.4
FREQ, SHIFT	3150	80.6	84.2	85.8	85.7	85.9	86.4	87.3	88.4	87.8	90.9	90.5	92.1	88.3	86.2				129.4
IJET 0	4000	79.7	83.7	85.0	85.3	86.4	87.4	88.2	89.0	88.8	91.4	92.1	92.3	89.3	87.0				130.0
DIAMETER RATIO	5000	80.3	83.8	85.2	86.2	87.1	88.4	89.3	90.1	90.9	93.6	94.0	94.2	91.6	89.7				131.7
DP/DM 1.00	6300	81.8	85.9	87.3	88.2	88.7	89.8	90.2	91.5	91.4	94.8	95.5	95.8	94.2	92.2				133.3
	8000	82.4	87.7	88.4	88.9	90.2	91.0	90.9	92.8	93.2	95.5	96.1	96.6	95.8	94.0				134.6
	10000	83.2	87.2	89.2	89.8	91.2	91.6	91.7	93.8	94.9	96.6	96.1	97.5	96.2	95.8				135.8
	12500	82.6	87.2	88.8	89.2	90.9	91.6	92.9	94.0	94.7	96.3	96.2	96.7	96.9	95.8				136.1
114	16000	80.3	86.6	87.6	88.1	90.1	90.6	91.9	93.2	94.0	95.1	94.8	95.1	94.6	95.2				135.3
	20000	77.9	84.7	85.1	85.7	86.9	87.6	89.5	90.8	91.9	92.1	92.3	92.3	92.9	92.7				133.3
	25000	74.4	80.8	82.3	82.9	83.9	84.7	85.8	87.8	88.8	89.1	87.8	89.0	88.8	88.8				130.4
	31500	70.7	77.8	78.8	79.8	80.3	81.9	82.9	84.9	85.0	86.5	85.4	85.2	85.5	84.4				127.8
	40000	67.8	74.8	76.0	77.1	77.4	77.7	78.1	80.8	81.7	81.7	80.7	80.8	81.8	83.3				124.7
	50000	65.2	71.4	72.9	73.2	73.7	74.5	75.2	76.9	78.4	79.8	77.8	78.5	78.4	83.2				123.8
	63000	64.8	68.5	68.9	70.2	70.5	70.5	71.2	74.0	76.0	79.6	76.4	77.1	77.6	85.1				123.8
	80000	65.5	68.1	65.4	67.4	68.1	68.0	68.6	71.0	73.9	81.2	76.5	77.7	77.2	86.9				127.4
OVERALL MEASURED																			
OVERALL CALCULATED		94.8	97.4	98.6	99.0	100.1	100.9	101.8	103.3	104.2	106.2	107.0	109.3	110.4	110.6				146.8
PND8		106.1	108.7	109.9	110.2	111.0	112.0	112.7	114.0	114.7	117.3	118.3	119.8	119.1	118.7				

MODEL SOUND PRESSURE LEVELS (59, DEG. F; 70 PERCENT REL. HUM; DAY - JENOTS)

REV: ALPHA 12/73	FREQ	ANGLES FROM INLET IN DEGREES (AND RADIANS)																		PWL
		30	40	50	60	70	80	90	100	110	120	130	140	150	160	0	0	0		
NO EGA	63	65.8	66.3	66.6	66.9	67.5	67.8	68.9	69.3	70.4	71.1	73.8	77.3	80.8	81.7				114.2	
RDG, NOI	80	68.3	69.8	70.2	70.2	70.8	70.7	73.5	71.7	72.1	73.8	76.3	80.4	84.0	85.3				117.4	
RADIAL 40, FT.	100	71.4	71.9	72.0	71.4	72.0	72.7	74.6	75.1	75.8	77.1	80.7	84.9	87.5	89.6				121.1	
(12. M)	125	73.7	73.9	75.4	75.2	74.7	75.9	78.7	79.8	80.2	81.4	84.2	89.3	93.3	93.9				125.7	
VEHICLE JENOTS.	160	77.0	76.5	76.2	76.0	76.5	79.2	81.7	81.5	83.2	85.2	87.2	91.4	94.5	96.3				127.8	
CONFIG JE-056	200	82.2	79.9	79.2	79.4	79.9	82.4	84.1	84.2	86.7	87.7	89.2	93.4	95.1	97.4				129.7	
LOC EVENDALE	250	82.5	81.8	80.3	81.3	81.3	83.0	84.3	84.8	86.8	89.3	91.1	96.1	99.2	100.3				132.1	
DATE 04-22-75	315	84.0	84.5	82.8	83.3	83.0	84.0	84.3	86.0	91.3	91.3	94.8	97.8	101.9	101.9				134.4	
RUN DBTF-MODEL 2	400	84.8	83.0	83.5	84.3	84.8	85.7	85.0	88.5	89.0	92.0	95.3	98.4	103.2	106.0				136.2	
TAPE X20130	500	81.7	80.5	84.3	82.9	84.2	84.7	86.1	88.3	90.6	92.8	93.0	99.8	103.7	102.6				135.5	
BAR 29.9 HG	630	82.6	83.6	83.8	83.5	84.0	85.6	87.5	89.0	90.4	91.2	94.7	101.1	103.3	100.3				135.4	
(01039, N/M2)	800	83.1	83.5	84.0	82.7	84.5	84.5	87.6	88.9	90.9	91.5	94.7	99.8	101.9	100.3				134.7	
TAMB 59, DEG F	1000	82.5	83.7	84.1	85.0	85.5	85.8	87.4	89.9	91.3	94.0	96.2	99.0	98.5	99.7				134.0	
(288, DEG K)	1250	83.6	82.4	84.5	84.9	85.0	86.4	88.2	89.6	90.9	92.8	95.5	97.2	95.6	93.7				132.3	
THET 53, DEG F	1600	82.5	83.2	84.6	84.5	85.7	86.9	88.4	89.2	90.4	93.1	95.6	97.7	93.9	90.7				132.2	
(295, DEG K)	2000	81.8	84.2	84.7	85.8	86.6	87.8	88.3	88.8	90.6	92.0	94.6	95.5	92.1	88.2				131.3	
HACT 8.91 GM/M3	2500	83.1	83.9	85.8	87.7	88.0	88.1	88.3	89.4	90.3	91.9	93.7	94.8	90.4	87.1				131.1	
(.00891 KG/M3)	3150	82.3	83.1	87.8	87.0	87.4	88.5	89.0	89.7	90.3	91.9	93.3	94.2	90.2	87.0				131.0	
FREQ, SHIFT	4000	82.8	83.9	88.3	89.0	88.9	89.4	90.1	90.4	90.8	93.4	94.0	94.7	91.9	89.4				132.1	
JET 0	5000	82.0	83.7	88.0	88.9	89.7	90.1	90.7	91.8	92.9	94.7	94.9	95.1	92.6	90.3				133.1	
DIAMETER RATIO	6300	82.8	86.1	88.0	89.4	89.9	91.7	91.9	93.6	94.7	97.1	96.8	97.5	95.1	92.9				134.9	
DF/DM 1.00	8000	84.1	87.9	89.6	91.2	91.5	92.8	92.8	94.5	94.9	98.3	98.2	98.8	97.0	96.5				136.4	
	10000	85.2	89.5	90.8	92.2	93.0	94.1	93.7	95.4	96.0	98.9	99.1	99.9	98.6	99.1				137.7	
	12500	86.3	89.5	91.0	92.3	94.5	94.7	94.8	96.6	98.2	100.0	100.0	100.8	99.8	100.9				139.2	
	15000	85.5	89.8	91.1	92.8	93.7	95.0	95.8	96.9	97.8	99.9	99.1	101.0	100.2	100.4				139.5	
	18000	84.1	89.2	91.2	91.7	93.7	94.2	95.3	96.8	98.3	98.2	98.1	99.7	99.2	99.5				139.2	
	20000	83.5	90.8	92.2	91.8	92.3	92.0	92.9	95.1	96.3	96.0	95.9	97.7	98.0	98.5				137.9	
	25000	81.5	90.7	91.9	91.3	90.8	90.3	90.4	91.9	93.2	93.5	92.4	94.3	94.9	96.4				136.0	
	31500	76.5	85.3	87.4	88.6	87.9	88.2	87.8	89.0	89.6	90.1	89.2	91.3	92.1	94.3				133.3	
	40000	72.9	81.4	83.1	84.4	85.0	85.0	85.0	85.6	86.2	86.5	85.5	86.9	88.6	88.8				130.5	
	50000	69.2	77.9	79.7	80.5	79.9	81.4	81.4	82.6	82.6	83.5	82.3	84.0	85.6	85.7				128.2	
	63000	66.6	73.8	76.2	77.1	76.4	77.2	78.7	81.0	79.9	82.3	79.7	81.6	83.1	83.1				127.6	
	80000	66.2	69.1	70.9	72.6	71.9	72.2	77.3	79.7	77.9	83.1	78.2	79.7	80.7	80.6				128.9	
OVERALL MEASURED																				
OVERALL CALCULATED		97.2	100.5	101.9	102.6	103.4	104.1	104.7	106.2	107.6	109.0	109.7	111.9	112.8	112.9				149.5	
PND8		108.3	110.6	112.3	113.1	113.7	114.7	115.1	116.6	117.7	120.0	120.8	122.4	121.6	120.9					

ORIGINAL PAGE IS OF POOR QUALITY

REV. ALPHA 12/73	FREQ.	ANGLES FROM INLET IN DEGREES (AND RADIANS)															PWL		
		30. (0.52)	40. (0.70)	50. (0.87)	60. (1.05)	70. (1.22)	80. (1.40)	90. (1.57)	100. (1.75)	110. (1.92)	120. (2.09)	130. (2.27)	140. (2.44)	150. (2.62)	160. (2.79)	180. (0.)		270. (0.)	360. (0.)
NO EGA	50	67.8	68.3	68.6	68.9	69.5	70.1	70.6	70.8	71.9	72.8	75.5	79.3	83.1	83.7				116.2
RDG. NO.	63	70.3	71.6	71.7	72.0	72.5	72.2	73.5	73.7	74.4	76.1	79.1	83.1	86.5	88.3				119.9
RADIAL 40 FT. (12. M)	80	73.4	73.9	73.8	73.1	73.8	74.9	76.3	76.3	77.3	79.4	82.5	87.1	89.8	92.4				123.4
VEHICLE JENQTS	100	75.4	75.9	77.4	77.2	76.9	78.2	80.5	81.6	82.2	83.4	85.9	91.5	95.5	95.7				127.8
CONFIG JE-056	125	79.2	78.5	78.2	78.7	78.7	81.0	84.2	84.0	85.2	87.0	89.5	94.1	96.8	98.8				130.2
LOC EVENDALE	160	83.9	81.7	81.4	81.9	82.2	84.7	86.9	86.4	88.7	89.7	91.2	95.2	98.1	99.1				131.6
DATE 04-22-75	200	84.0	83.5	82.0	82.8	83.0	85.3	86.0	87.0	88.3	90.5	93.3	98.4	100.5	102.3				133.9
RUN DBTF-MODEL 2	250	85.8	85.0	85.0	85.0	85.3	86.3	86.3	87.3	88.3	90.3	92.8	96.8	99.5	103.7	102.9			136.0
TAPER X20140	315	86.8	85.0	85.3	85.8	86.5	87.7	86.8	87.5	89.0	90.3	93.3	97.0	100.4	105.2	107.0			137.8
BAR 29.9 HG	400	84.2	82.2	82.3	84.4	86.4	86.7	88.3	89.8	92.3	95.1	94.5	101.5	106.0	103.6				137.5
(01039, N/M2)	500	84.8	83.6	86.6	85.0	86.7	87.9	89.7	90.5	92.4	93.2	96.5	102.6	104.6	102.1				137.0
TAMB 59, DEG F	630	84.7	85.7	86.0	85.2	86.7	87.0	89.1	90.9	93.2	93.7	97.2	101.8	103.4	100.8				136.4
(288, DEG K)	800	85.6	85.4	87.0	87.2	88.3	88.0	90.2	92.1	93.8	96.0	98.7	101.0	100.7	99.7				136.0
THET 53, DEG F	1000	84.7	85.9	86.6	86.8	87.7	89.2	90.7	92.2	93.2	95.6	98.3	99.5	94.9	92.4				134.5
(285, DEG K)	1600	84.6	86.2	87.4	88.0	88.8	90.0	91.0	91.8	93.1	95.3	96.9	97.0	93.9	90.2				133.6
HACT 8.91 GM/M3	2000	86.4	86.6	87.1	89.9	90.2	90.4	90.8	91.6	93.3	95.2	96.7	96.5	93.4	89.8				133.6
(.00891 KG/M3)	2500	85.3	87.6	89.3	88.5	89.4	90.2	91.5	92.7	93.6	95.6	96.3	96.2	92.7	89.8				133.7
FREQ. SHIFT	3150	85.6	88.4	90.1	90.3	90.6	91.1	92.6	93.4	93.8	96.7	97.0	97.4	94.9	91.7				134.8
JET 0	4000	85.2	88.2	90.0	90.4	91.7	92.4	93.9	95.0	95.6	98.0	97.6	98.1	96.1	92.8				135.9
DIAMETER RATIO	5000	86.1	89.1	89.7	90.9	91.6	93.4	94.6	96.4	97.4	99.6	99.6	100.0	98.1	95.4				137.5
DF/DM 1.00	6300	86.9	90.2	91.1	92.2	93.5	94.3	95.0	97.3	98.4	100.8	100.5	101.3	100.0	98.5				138.9
	8000	88.4	91.7	93.0	93.0	94.5	95.3	96.2	98.1	99.0	101.4	101.4	101.4	101.4	100.4				140.1
	10000	89.3	92.0	93.3	94.3	96.0	96.2	96.8	99.1	100.0	101.7	102.2	103.8	102.8	102.6				141.4
	12500	89.2	92.0	94.1	94.3	96.2	96.7	97.8	99.4	100.1	101.4	101.6	103.3	103.0	102.9				141.7
	16000	88.4	93.2	93.9	94.0	95.9	96.2	97.8	99.3	100.1	100.0	99.9	101.7	101.4	101.3				141.2
SII	20000	88.5	94.8	95.0	94.8	94.8	94.8	94.5	97.4	98.3	97.5	98.2	98.9	99.2	98.5				139.9
	25000	87.5	94.7	95.7	95.3	94.3	93.3	93.4	95.2	95.7	95.5	94.7	96.6	96.7	95.7				138.7
	31500	81.3	89.8	89.4	90.6	90.7	91.2	90.3	91.7	91.9	92.1	91.7	93.3	93.6	92.5				135.5
	40000	77.7	84.9	86.1	86.2	86.5	86.5	86.8	87.2	87.9	87.7	88.0	87.5	89.6	89.6				132.5
	50000	74.0	82.4	84.2	83.3	83.1	83.4	83.7	84.6	84.9	85.8	84.0	87.5	88.3	87.4				130.8
	63000	70.3	79.0	80.7	80.6	79.7	80.4	80.2	82.0	81.7	83.8	80.7	85.9	87.3	87.1				130.4
	80000	68.2	76.3	76.9	78.1	77.1	78.5	78.0	79.7	78.4	83.1	78.9	86.7	87.2	87.4				132.4
OVERALL MEASURED																			
OVERALL CALCULATED		100.2	105.3	104.7	104.7	105.6	106.1	107.1	108.7	109.7	111.2	112.0	114.1	114.9	114.3				151.7
PND8		121.0	118.0	114.5	114.6	115.7	116.5	117.8	119.2	120.4	122.6	123.2	124.8	124.1	122.7				

MODEL SOUND PRESSURE LEVELS (59 DEG. F, 70 PERCENT REL. HUM. DAY - JENOTS)

REV, ALPHA 12/73	FREQ.	ANGLES FROM INLET IN DEGREES (AND RADIANS)															PWL
		30.	40.	50.	60.	70.	80.	90.	100.	110.	120.	130.	140.	150.	160.	180.	
	50	63.1	63.6	64.1	64.2	65.0	65.6	65.4	66.8	67.4	68.6	71.0	74.3	78.1	79.2		111.5
NO EGA.	63	66.3	67.3	66.7	66.5	67.5	68.2	68.9	69.2	70.4	72.1	74.6	78.1	82.5	83.1		115.2
REG. NO. 0.	80	68.6	69.4	69.5	69.1	69.5	70.2	71.6	71.8	72.8	74.9	78.2	81.9	84.8	87.1		118.4
RADIAL 40 FT.	100	70.9	71.4	72.7	71.9	71.7	73.7	75.5	77.1	78.0	79.2	81.4	84.5	89.1	90.9		122.8
(12. 4)	125	74.7	73.5	73.7	74.2	74.2	76.5	78.7	79.2	80.7	82.5	84.5	89.1	92.0	94.0		125.4
VEHICLE JENOTS	160	79.9	77.4	77.2	77.4	78.2	80.2	82.1	81.4	84.2	85.2	86.9	90.7	93.4	94.6		127.1
CCNFIG JE 056	200	80.5	79.8	77.8	78.8	79.3	81.3	81.5	82.3	84.3	86.8	90.1	94.4	96.7	98.0		130.0
LCC EVENDALE	250	83.0	82.0	81.0	81.3	81.3	81.8	82.8	84.0	89.5	89.5	94.0	96.5	99.9	100.4		132.8
DATE 04-22-75	315	84.0	81.8	82.8	83.0	84.0	85.2	83.5	88.0	89.0	92.5	96.0	98.9	102.9	105.0		135.9
RUN CBTF-MODEL 2	400	81.2	79.0	81.1	81.2	82.4	83.2	84.6	87.1	89.6	92.6	93.3	99.8	103.2	102.6		135.2
TAPE X20150	500	82.8	82.6	82.6	81.3	82.0	83.6	85.2	86.7	88.4	89.7	93.2	100.6	102.6	99.6		134.5
BAR 29.9 HG	630	82.8	82.5	82.5	81.0	82.7	83.5	85.1	87.1	89.2	90.5	94.5	100.1	102.4	101.6		134.8
G1039, N/42)	800	81.7	82.2	82.6	83.3	83.8	84.0	85.2	87.6	89.3	92.3	95.5	98.5	98.7	101.5		133.7
TAMB 59 DEG F	1000	82.3	81.1	82.5	82.4	83.5	85.2	86.2	87.3	89.4	92.6	94.2	96.7	95.9	95.7		131.7
(288. DEG K)	1250	80.7	80.9	82.6	81.8	83.2	84.7	85.7	87.7	88.2	92.1	94.8	97.0	93.9	91.9		131.2
TWEY 53 DEG F	1600	79.8	82.0	82.4	82.7	84.1	85.5	85.8	87.7	86.3	90.8	94.1	94.2	91.1	88.0		129.9
(285. DEG K)	2000	81.1	81.3	83.0	84.7	85.2	85.9	85.5	86.8	88.0	89.6	92.7	92.8	89.1	86.8		129.0
HACT 8.91 GM/M3	2500	80.6	82.3	84.0	83.5	83.1	84.7	85.0	86.4	87.5	89.3	91.0	91.4	86.7	84.5		128.0
0.00891 KG/M3)	3150	79.3	82.7	83.8	83.7	84.3	85.1	85.5	86.6	87.1	89.9	91.2	90.9	86.8	84.4		128.2
FREQ. SHIFT	4000	78.9	82.2	83.2	83.8	84.6	85.6	85.1	86.7	87.5	89.9	90.5	90.5	87.5	85.5		128.2
JET 0	5000	79.3	82.5	83.9	83.9	85.3	86.6	86.8	87.5	89.1	91.3	91.7	91.9	89.5	87.1		129.9
DIA. METER RATIO	6300	80.0	84.1	85.0	85.9	87.1	89.0	88.2	89.1	89.6	92.4	93.4	92.9	91.1	89.8		131.1
DF/CM 1.00	8000	80.5	84.6	86.6	86.3	87.8	89.6	88.8	90.0	90.5	93.2	94.0	93.3	92.2	92.2		132.1
10000	81.3	85.5	87.0	87.6	86.8	89.5	89.6	91.1	92.2	93.7	93.2	94.1	93.0	93.1		133.1	
12500	79.9	85.0	86.6	87.5	88.9	89.7	89.7	90.6	91.8	94.1	93.0	93.0	92.7	92.1		133.1	
16000	78.1	83.6	85.1	85.9	87.6	88.4	89.2	90.0	90.5	91.7	91.1	91.4	90.6	90.0		132.0	
20000	74.9	80.9	81.9	83.0	84.2	85.4	85.3	87.6	88.4	89.4	88.1	87.8	87.6	86.4		129.6	
25000	71.4	77.6	79.4	80.2	81.2	82.0	82.1	84.1	85.1	85.9	84.4	84.5	84.4	82.1		126.7	
31500	66.5	73.3	74.9	75.8	76.6	78.2	79.0	80.7	80.6	82.3	81.0	80.8	81.1	77.5		123.5	
40000	63.5	69.2	70.9	71.7	72.3	72.8	73.5	76.4	76.3	77.6	75.8	75.4	76.4	73.7		119.6	
50000	61.7	65.4	66.4	67.2	67.1	69.2	69.5	73.9	73.7	75.6	73.8	73.0	74.4	73.0		117.9	
63000	62.2	64.6	63.0	65.5	66.0	63.5	65.5	75.1	73.5	76.7	75.0	72.9	75.1	74.7		120.2	
80000	63.8	64.4	62.2	64.9	65.4	65.3	65.3	76.5	74.2	79.5	75.8	74.3	75.3	76.2		124.6	
OVERALL MEASURED		94.5	96.0	97.1	97.5	98.6	99.7	99.9	101.4	102.7	104.9	106.6	109.4	110.9	111.1		145.8
OVERALL CALCULATED		105.8	107.6	108.6	108.7	109.8	111.2	111.1	112.4	113.6	115.9	117.6	118.8	119.0	118.9		

ORIGINAL PAGE IS
OF POOR QUALITY

REV, ALPHA 12/73	FREQ.	30° (0.52)	40° (0.70)	50° (0.87)	60° (1.05)	70° (1.22)	80° (1.40)	90° (1.57)	100° (1.75)	110° (1.92)	120° (2.09)	130° (2.27)	140° (2.44)	150° (2.62)	160° (2.79)	180° (3.14)	PWL
NO EGA	50	65.3	66.1	66.4	66.4	67.2	67.6	67.6	68.5	68.6	70.3	73.5	77.0	80.6	81.5		113.8
RCG, NO	63	68.3	69.1	68.7	68.7	69.3	69.9	70.5	71.7	71.9	74.1	76.8	80.6	84.5	85.8		117.5
RADIAL 40 FT.	80	71.1	71.4	71.5	71.1	71.0	72.4	73.6	74.3	75.6	77.1	80.5	84.9	87.8	89.9		121.1
VEHICLE JENOTS	100	73.7	73.7	74.9	73.9	73.9	75.4	77.7	79.3	80.0	82.2	84.4	89.0	92.8	93.4		125.4
CONFIG JE 1056	125	76.7	75.5	75.7	76.2	75.7	78.2	81.2	81.5	82.7	84.7	87.0	91.4	94.5	96.3		127.7
LCC EVENDALE	160	82.2	79.4	79.4	79.4	79.9	82.7	84.1	84.2	86.4	87.2	89.2	92.7	95.4	96.9		129.2
DATE 04-22-75	200	82.0	81.3	79.3	80.3	80.8	83.3	83.8	84.3	85.5	88.5	91.6	96.1	98.2	99.8		131.6
RLN DGTF-MODEL 2	250	83.8	84.0	82.5	82.8	82.5	84.0	84.3	85.3	91.0	90.8	94.8	98.3	101.7	101.9		134.3
TAPE X20170	315	85.0	83.3	84.0	84.3	85.5	86.7	84.8	88.8	89.8	93.0	96.8	99.6	104.2	106.5		137.0
BAR 29.9 HG	400	82.4	80.0	82.8	82.4	84.2	84.7	86.3	88.3	91.1	94.1	94.3	101.8	105.0	103.6		136.8
101039 N/M2	500	84.3	83.8	84.3	83.0	84.0	85.9	87.0	88.7	90.2	91.4	95.0	102.1	104.1	101.3		136.1
YAMB 59 DEG F	630	84.6	83.7	84.0	83.0	84.2	85.0	87.1	88.4	90.9	92.0	96.2	101.8	103.9	101.8		136.2
(288, DEG K)	800	82.7	83.7	84.4	84.0	85.3	85.5	86.7	89.4	90.8	93.8	97.0	99.8	100.0	101.7		134.8
THET 53 DEG F	1000	83.3	82.4	84.5	83.7	84.3	86.7	87.9	88.8	90.9	94.1	96.0	97.9	96.9	95.7		133.0
(285, DEG K)	1250	82.2	82.7	84.1	83.3	85.0	86.4	87.7	89.2	89.9	93.1	96.3	97.7	93.9	91.9		132.3
HACT 8.91 GM/M3	1600	81.1	83.5	84.2	84.2	85.6	87.2	88.0	89.0	89.6	92.3	95.1	95.7	91.4	88.2		131.2
(1.00891 KG/M3)	2000	83.1	83.8	84.5	86.9	87.5	87.6	87.3	88.8	89.5	91.1	93.7	93.5	90.4	87.3		130.4
FREQ. SHIFT	2500	82.3	85.1	86.3	85.7	85.9	87.2	87.7	89.2	89.5	91.6	92.8	92.7	88.9	85.7		130.1
JET 0	3150	82.1	84.9	86.5	86.7	86.6	87.8	88.3	89.4	89.6	92.9	92.9	92.9	89.6	87.4		130.7
DIA/ETER RATIO	4000	80.9	84.9	86.2	86.5	87.6	89.3	88.9	90.7	91.5	93.6	94.0	93.5	91.0	88.7		131.8
DF/DM 1.00	5000	82.0	86.0	86.9	87.4	88.3	90.3	90.5	92.3	92.8	95.5	95.2	95.9	93.3	90.6		133.4
MEASURED	6300	83.0	87.3	88.8	89.1	89.9	92.0	91.7	92.9	93.3	96.7	97.1	96.4	95.1	93.8		134.8
CALCULATED	8000	84.0	89.1	90.1	89.8	91.3	93.1	92.8	94.7	95.0	97.7	98.2	98.3	96.7	96.4		136.4
	10000	85.8	89.3	91.0	91.1	92.5	93.5	93.3	95.1	96.7	98.7	99.0	99.1	98.0	98.4		137.7
	12500	84.7	89.2	90.3	91.3	92.4	93.9	94.0	95.6	96.8	98.4	98.3	99.7	99.2	98.8		138.2
	16000	83.6	89.1	90.1	90.2	92.6	92.9	93.5	95.2	96.3	97.4	96.8	98.6	98.4	97.7		137.8
	20000	81.1	88.2	88.9	88.5	89.7	90.7	91.0	93.3	94.4	94.9	94.6	95.6	96.1	97.2		136.1
	25000	77.9	85.6	86.1	86.5	87.0	87.2	88.1	90.4	90.6	91.7	90.1	91.8	92.1	92.1		133.1
	31500	74.5	82.8	83.4	82.8	82.6	84.2	84.5	86.5	86.4	88.3	87.0	88.3	88.9	87.5		130.1
	40000	70.5	78.9	79.9	80.0	79.5	79.6	79.5	81.9	82.8	83.6	82.0	83.4	84.7	84.2		126.6
	50000	65.7	73.4	74.7	75.2	75.4	75.4	75.5	78.6	78.9	80.8	78.1	80.0	81.6	80.7		123.9
	63000	64.2	69.4	70.3	70.2	70.3	70.8	71.0	77.1	77.4	79.7	76.0	77.4	78.9	78.2		123.2
	80000	64.8	65.4	65.2	66.2	67.2	67.8	67.8	77.5	75.0	80.7	75.5	77.5	77.8	77.0		125.9
OVERALL MEASURED		96.8	99.5	100.5	100.6	101.8	103.0	103.3	105.0	106.1	108.2	109.3	111.8	113.0	112.9		148.7
OVERALL CALCULATED		107.9	110.1	111.3	111.4	112.3	113.9	114.1	115.7	116.6	119.1	120.3	121.5	121.1	120.7		

118

217

SCALE DATA REDUCTION PROGRAM

PROC. DATE - MONTH 5 DAY 3 HR: 15:8

MODEL SOUND PRESSURE LEVELS (59' DEG. F. 70 PERCENT REL. HUM. DAY - JENOTS)

REV: ALPHA 12/73	FREQ.	ANGLES FROM INLET IN DEGREES (AND RADIAN)																PWL
		30.	40.	50.	60.	70.	80.	90.	100.	110.	120.	130.	140.	150.	160.	180.		
	50	67.6	67.8	68.4	68.4	68.7	69.3	69.6	70.5	70.6	71.8	75.0	79.0	83.6	83.7		116.1	
NO EGA	63	70.3	71.1	70.7	70.7	71.3	72.2	73.0	73.4	73.6	76.1	79.1	82.9	92.2	87.8		122.1	
RCG, NO. 0.	80	73.4	73.9	73.8	73.1	73.5	74.4	76.1	76.6	77.6	79.6	83.0	87.1	89.5	92.4		123.4	
RADIAL 40 FT.	100	75.7	75.4	76.7	75.9	76.4	78.2	80.2	81.3	82.0	83.4	85.9	91.3	95.0	95.9		127.6	
(12. M)	125	79.5	78.5	78.5	78.5	78.2	81.0	83.2	83.5	85.0	86.3	89.0	93.6	96.8	98.3		129.8	
VEHICLE JENOTS	160	84.7	81.4	81.4	81.7	82.2	85.2	86.4	86.2	88.4	89.4	90.9	95.2	98.4	99.6		131.8	
CONFIG JE#056	200	84.3	83.5	81.8	83.0	83.0	89.0	85.5	86.3	88.5	90.8	93.8	98.4	100.7	101.8		133.9	
LOG EYE/DALB	250	86.3	86.0	84.3	85.0	85.3	86.0	86.0	87.0	93.0	92.8	97.0	100.5	103.7	103.4		136.3	
DATE 04-22-75	315	87.0	85.3	85.5	86.0	87.0	88.0	86.3	91.0	91.5	94.3	98.0	101.4	105.9	107.8		138.6	
RUN CBTF-MODEL 2	400	84.4	82.5	84.1	84.4	85.4	86.3	87.8	90.1	92.8	95.8	95.5	102.5	106.12	105.1		138.1	
TAPE X20180	500	86.1	86.3	86.3	85.0	86.2	87.6	89.2	91.0	92.2	93.9	97.0	103.6	106.1	105.3		138.9	
BAR 29.9 HG	630	86.8	86.2	86.2	85.0	86.5	87.3	88.9	90.6	93.2	94.7	98.0	103.3	105.7	102.8		137.9	
(01039, N/42)	800	85.0	85.7	86.4	86.3	87.5	88.3	89.4	91.6	93.3	96.3	98.7	101.8	100.7	102.5		136.5	
TAMB 59 DEG F	1000	85.8	84.4	86.0	86.2	86.8	88.9	89.7	91.6	93.7	96.1	97.7	99.7	98.1	96.9		134.8	
(288, DEG K)	1250	84.2	84.9	86.6	86.5	87.2	88.9	89.4	91.4	92.9	95.1	98.6	99.5	95.2	93.7		134.4	
TWET 53 DEG F	1600	83.6	86.0	86.4	86.5	88.1	89.7	90.0	92.0	92.3	94.8	96.8	97.0	93.6	90.2		133.3	
(285, DEG K)	2000	85.6	85.8	86.5	88.4	88.7	89.9	89.8	91.6	92.0	94.1	95.9	96.5	92.4	89.5		132.9	
HACT 8.9 GH/M3	2500	84.8	87.3	88.8	88.0	88.4	89.4	90.0	91.5	92.0	94.6	95.0	95.4	91.4	88.5		132.6	
(00891 KG/M3)	3150	84.6	87.7	88.8	89.2	89.6	90.8	91.3	92.4	92.6	95.4	95.7	95.6	92.8	90.1		133.5	
FREQ. SHIFT	4000	84.2	88.2	89.0	89.3	90.1	91.8	92.1	93.7	94.3	96.4	96.5	96.8	94.0	91.5		134.6	
JET 0	5000	84.8	88.5	89.4	89.6	91.0	93.1	93.3	95.3	96.3	98.5	98.2	98.4	96.3	93.6		135.3	
DIAMETER RATIO	6300	86.3	90.1	90.5	91.4	92.6	94.7	93.9	95.6	97.3	99.4	99.1	99.9	98.3	96.6		137.6	
DF/DM 1.00	8000	87.3	91.3	92.1	91.8	93.8	95.4	95.3	97.2	97.8	100.7	100.5	101.3	99.7	99.9		139.1	
	10000	88.6	91.8	92.8	93.6	95.3	96.2	95.8	98.4	99.2	101.2	101.0	102.3	101.0	101.1		140.4	
	12500	87.9	92.5	93.3	93.0	95.4	96.4	97.0	98.8	99.5	100.6	101.0	102.5	101.7	101.8		140.9	
	16000	87.3	92.4	92.6	93.2	94.9	95.9	96.7	98.7	99.3	99.7	99.3	101.6	100.9	100.0		140.6	
	20000	87.6	94.4	94.1	93.5	94.0	94.4	94.8	96.8	97.9	97.2	97.6	99.1	98.9	98.2		139.5	
	25000	87.4	95.1	94.9	93.5	93.0	92.2	92.1	93.6	94.4	94.4	93.9	95.8	97.1	96.1		137.8	
	31500	80.3	88.3	88.9	89.8	89.1	89.7	88.5	90.2	90.4	90.3	90.5	92.1	94.6	91.5		134.5	
	40000	76.0	83.9	84.2	84.2	84.8	85.1	84.5	85.4	86.3	86.6	85.5	87.9	90.9	88.2		131.8	
	50000	73.7	80.9	81.7	81.2	80.6	80.9	80.5	82.1	82.4	82.8	81.8	85.8	88.1	86.0		128.8	
	63000	72.7	77.4	77.5	78.0	77.0	77.3	77.0	79.3	79.3	79.4	79.2	84.9	86.9	85.3		128.4	
	80000	72.8	75.1	74.4	75.2	75.7	76.3	76.1	77.8	76.5	77.5	77.3	86.0	86.8	85.7		130.8	
OVERALL MEASURED																	131.2	
OVERALL CALCULATED		99.9	103.2	103.6	103.6	104.7	105.8	106.0	107.9	109.0	110.6	111.5	114.0	115.1	114.6			
PNPB		130.4	112.7	113.4	113.7	114.8	116.5	116.5	118.4	119.5	121.7	122.5	124.1	123.4	122.6			

611

ORIGINAL PAGE IS OF POOR QUALITY

REV. ALPHA 12/73	FREQ.	ANGLES FROM INLET IN DEGREES (AND RADIANs)																	PWL
		30.	40.	50.	60.	70.	80.	90.	100.	110.	120.	130.	140.	150.	160.	(0.0)	(0.0)	(0.0)	
NO EGA.	50	89.3	71.8	71.6	72.9	73.0	72.8	72.6	73.5	73.4	76.6	78.0	83.0	85.6	91.0				130.5
RDG. NO. 0.	63	73.6	75.1	73.4	75.0	74.8	75.4	75.5	73.9	75.4	78.8	80.8	86.4	89.2	99.1				126.6
RADIAL 40, FT.	80	75.9	77.6	76.0	76.4	76.8	77.2	78.1	78.3	79.6	82.1	85.0	90.1	92.3	98.4				127.4
{ 12. M)	100	78.4	79.4	78.7	78.4	78.9	80.7	82.7	83.3	83.5	85.9	87.9	93.5	97.5	99.9				130.4
VEHICLE JENOTS.	125	81.2	81.7	79.7	81.5	81.2	83.5	84.9	85.2	88.5	88.7	91.0	96.4	99.3	103.0				133.0
CONFIG JE-056	160	84.9	84.7	83.4	84.4	84.7	86.7	88.1	87.9	90.2	91.9	93.4	97.9	100.4	103.1				134.3
LOC EVENDALE	200	85.5	86.5	83.5	84.8	86.3	87.5	87.8	88.5	90.3	93.0	96.6	101.6	103.0	105.3				136.7
DATE 04-22-75	250	87.8	88.5	86.5	87.5	86.8	88.3	87.8	87.5	94.8	95.0	99.3	103.0	106.2	104.1				138.4
RUN DBTF-MODEL 2:	315	89.5	87.8	87.5	88.3	89.5	90.0	88.5	92.0	93.0	96.5	100.5	104.1	108.4	108.3				140.4
TAPE X20190.	400	86.2	83.5	87.3	87.2	88.7	88.7	89.6	92.1	94.6	97.1	97.0	104.5	108.7	105.6				139.9
BAR 29.9 HG	500	88.1	88.3	88.8	88.3	88.7	90.4	91.5	93.2	94.4	96.4	99.2	106.6	107.6	105.1				140.2
(01039, N/M2)	630	88.1	88.2	88.5	87.7	89.2	89.3	91.4	93.1	95.2	97.2	100.5	105.3	107.9	105.8				140.2
TAMB 59, DEG F	800	87.0	89.2	88.6	89.5	90.3	90.5	91.4	94.1	95.5	99.0	101.5	103.8	104.2	103.2				138.8
(288, DEG K)	1000	87.8	87.6	88.3	88.9	89.5	90.9	92.4	93.3	95.6	98.6	100.7	102.2	101.9	98.2				137.5
TWET 53, DEG F	1250	86.2	88.4	88.9	88.8	89.5	90.9	92.4	93.9	95.4	98.6	100.8	101.5	98.4	94.7				136.8
(285, DEG K)	1600	85.6	88.7	88.7	89.5	90.6	91.7	92.5	94.0	95.3	97.8	99.3	99.0	95.6	92.7				135.7
HACT 8.91 GM/M3	2000	87.3	87.8	88.5	90.9	91.0	92.1	92.5	93.8	95.0	97.6	98.7	98.5	94.4	91.8				135.5
(.00891 KG/M3)	2500	86.3	89.3	90.5	90.0	90.6	91.7	92.5	93.9	95.3	97.6	97.8	97.9	94.7	90.2				135.3
FREQ. SHIFT	3150	86.6	89.9	90.5	91.0	91.6	92.8	93.5	94.6	95.8	98.4	98.4	98.6	96.3	93.4				136.2
JET 0	4000	85.4	89.7	91.0	91.3	92.1	93.6	94.4	95.7	96.8	98.9	98.8	99.3	97.0	93.8				136.9
DIAMETER RATIO	5000	87.0	90.5	90.9	92.4	93.0	94.8	95.3	97.3	99.1	100.5	100.5	101.9	99.3	96.1				138.7
DF/DH 1.00	6300	87.5	91.6	92.5	93.1	94.4	95.7	95.9	97.6	99.8	101.7	101.6	102.7	101.3	97.8				139.9
	8000	88.5	92.6	93.3	93.8	95.1	95.9	96.0	98.2	99.8	102.2	103.0	104.0	102.4	100.2				140.9
	10000	89.3	93.5	93.8	94.3	95.8	96.5	96.8	99.1	100.7	102.7	103.2	104.3	103.8	101.1				141.9
	12500	88.9	92.2	94.3	94.8	96.2	97.2	97.7	99.3	100.8	102.1	102.5	104.5	103.7	101.8				142.3
	16000	89.3	95.1	95.1	94.4	96.1	96.4	97.7	99.2	100.3	100.7	101.1	103.1	101.9	99.7				141.7
	20000	89.2	97.0	96.2	95.2	95.0	95.2	95.8	97.6	99.2	98.4	99.1	99.8	99.4	96.2				140.5
	25000	87.2	94.9	95.6	96.5	95.0	94.2	94.1	95.4	96.4	95.9	95.6	97.5	97.4	94.1				139.3
	31500	81.8	88.8	89.1	91.1	90.9	92.4	91.0	92.5	92.6	92.8	93.0	95.1	94.1	91.0				136.3
	40000	79.7	85.2	86.7	87.7	87.3	87.6	87.3	88.7	89.3	89.6	88.5	91.5	91.4	89.7				133.6
	50000	78.5	84.4	84.7	85.2	84.4	84.4	84.5	86.1	86.2	87.8	86.6	91.0	91.1	90.5				132.9
	63000	79.2	82.4	82.0	83.7	83.0	82.8	82.8	84.8	84.8	87.2	84.7	91.9	91.6	92.0				134.3
	80000	80.0	81.6	80.7	82.2	82.4	82.8	83.1	84.8	83.0	88.2	84.3	93.5	93.3	92.7				138.0
OVERALL MEASURED																			
OVERALL CALCULATED		101.4	105.1	105.3	105.7	106.3	107.1	107.7	109.4	110.9	112.7	113.8	116.4	117.4	116.1				153.3
PND8		122.2	114.8	115.4	115.9	116.8	118.0	118.6	120.3	122.0	124.1	124.9	126.7	126.1	124.1				

120

ANGLES FROM INLET IN DEGREES (AND RADIANS)

REV. ALPHA 12/73	FREQ	30	40	50	60	70	80	90	100	110	120	130	140	150	160	RHL
	50	75.3	75.1	74.9	73.7	73.5	74.8	73.9	75.0	80.9	87.1	80.8	88.8	87.3	89.2	123.4
NO EGA	63	79.1	78.8	76.4	76.0	76.0	77.4	77.0	77.4	82.6	87.6	84.3	91.1	91.2	93.8	126.2
RDG. NO. 0	80	79.9	78.6	78.3	78.1	77.8	79.7	80.6	80.3	85.1	89.9	88.0	93.6	94.5	97.1	129.1
RADIAL 40 FT	100	83.2	81.4	81.2	80.7	80.7	83.2	84.5	85.6	89.2	92.7	90.9	98.5	99.5	100.4	133.1
(12. M)	125	84.7	84.2	82.5	83.2	82.7	86.5	87.2	87.5	92.5	96.0	94.7	101.4	101.0	103.3	135.7
VEHICLE JENOTS	160	89.4	87.2	85.4	86.2	86.4	89.4	90.6	90.7	95.2	99.7	96.4	102.4	102.6	103.6	137.5
CONFIG JE-058	200	90.3	88.3	85.5	87.0	87.0	90.5	89.8	90.8	94.0	98.0	98.8	103.9	105.5	106.5	139.0
LOC EVENDALE	250	92.8	90.5	89.0	89.3	89.0	90.8	90.8	91.5	97.3	99.3	100.8	105.5	108.4	105.9	140.7
DATE 04-22-75	315	92.8	90.0	90.5	90.5	91.0	92.0	90.8	94.3	96.5	98.8	102.5	106.4	110.7	111.3	142.9
RUN DBTF-MODEL 2	400	89.7	87.0	95.3	88.4	90.2	91.2	92.3	94.1	96.6	100.1	100.3	107.3	111.5	108.1	142.7
TAPE X20208	500	91.1	90.3	90.6	89.5	91.5	92.4	93.7	95.5	97.4	98.7	101.7	108.6	109.6	107.8	142.4
BAR 29.9 HG	630	91.1	91.7	91.2	90.0	91.2	91.5	94.1	95.4	98.2	100.2	103.0	107.6	110.2	107.3	142.5
(01039, N/M2)	800	90.0	91.4	91.1	91.5	92.5	93.3	94.2	96.6	98.0	102.5	103.5	106.5	106.0	106.7	141.5
TAMR 59 DEG F	1000	91.6	89.9	91.0	91.4	92.0	93.7	95.2	96.1	98.6	102.6	103.2	104.7	103.4	101.7	140.2
(288, DEG K)	1250	90.5	91.2	90.9	91.5	92.5	93.9	95.2	96.9	98.2	101.6	104.3	105.2	100.9	98.7	140.1
THET 53 DEG F	1600	89.1	91.0	90.9	91.7	93.1	94.5	95.5	96.7	98.8	101.0	102.6	102.5	99.6	96.5	139.0
(285, DEG K)	2000	90.3	90.6	90.5	93.2	94.2	95.1	95.0	96.6	98.0	101.1	102.2	102.0	99.1	95.8	138.8
HACT 8.91 GM/M3	2500	89.6	91.1	92.5	92.0	93.1	94.2	95.0	96.4	99.0	101.1	100.8	101.4	98.4	96.0	138.4
(.00891 KG/M3)	3150	89.3	91.4	92.3	93.2	94.3	95.3	95.5	97.1	99.1	101.4	101.9	102.1	98.8	96.4	139.1
FREQ. SHIFT	4000	88.4	91.7	92.5	93.1	94.6	96.1	96.9	97.7	99.8	101.9	102.0	102.3	99.8	97.0	139.7
JET 0	5000	89.8	92.0	92.1	93.6	95.0	97.3	97.8	99.3	102.6	103.0	103.0	104.4	101.8	99.1	141.1
DIAMETER RATIO	6300	90.3	92.6	93.8	94.9	96.1	97.5	98.2	100.1	102.1	103.9	104.4	105.4	104.1	101.1	142.3
DF/DH 1.00	8000	91.0	93.3	94.1	95.5	97.1	98.1	98.3	100.5	102.3	104.2	104.7	105.5	104.9	102.9	143.0
	10000	92.3	93.8	94.8	96.3	97.0	98.7	98.3	100.6	102.2	104.2	104.7	106.3	105.0	103.4	143.5
	12500	91.9	95.7	96.3	96.8	98.4	99.4	99.2	100.8	101.8	103.6	104.3	105.7	104.7	102.3	143.7
	16000	93.6	98.1	98.9	97.4	98.4	98.6	99.0	100.2	100.3	100.9	102.6	104.1	102.6	99.7	143.0
	20000	91.4	98.7	97.9	98.7	98.2	96.9	96.5	98.6	99.2	99.4	99.6	100.8	99.6	96.7	141.6
	25000	87.9	92.6	94.4	96.5	96.7	96.5	95.1	96.4	98.9	97.2	96.9	98.0	97.1	94.6	139.9
	31500	83.8	88.3	90.1	90.8	91.9	93.7	92.3	93.5	93.6	95.1	94.5	95.3	94.9	91.5	137.3
	40000	80.7	86.4	87.7	88.5	88.0	88.8	88.3	89.7	91.3	91.8	91.5	92.5	91.7	89.9	134.9
	50000	79.7	83.7	84.9	85.5	85.4	85.9	85.5	87.6	90.2	93.3	91.6	93.0	91.4	89.0	135.2
	63000	79.8	82.4	83.3	83.8	83.5	83.5	83.3	85.8	91.3	93.4	92.5	92.7	92.1	91.2	137.1
	80000	80.8	81.1	81.2	82.9	83.2	83.0	82.8	85.3	91.5	96.2	92.8	95.5	93.5	92.7	141.5
OVERALL MEASURED																
OVERALL CALCULATED		104.7	108.4	107.2	107.6	108.5	109.4	109.7	111.3	115.2	125.4	116.2	118.8	119.5	118.1	135.5
PNDP		115.3	116.6	117.2	117.8	119.0	120.5	121.1	122.6	124.9	127.0	127.6	129.5	128.7	126.8	

121

ORIGINAL PAGE IS OF POOR QUALITY

ANGLES FROM INLET IN DEGREES (AND RADIANS)

REV.	ALPHA	12/73	FREQ	(0.32)	(0.70)	(0.87)	(1.03)	(1.22)	(1.40)	(1.57)	(1.75)	(1.92)	(2.09)	(2.27)	(2.44)	(2.62)	(2.79)	(0.0)	(0.0)	(0.0)	RWL
NO EGA			50	85.6	66.3	66.9	66.9	67.0	67.1	67.1	68.3	69.4	71.1	73.0	76.3	81.6	80.5				113.8
RDG NO		0	63	88.6	68.8	68.7	69.2	69.3	69.9	70.3	70.9	71.4	74.3	76.1	80.1	91.2	84.1				120.4
RADIAL		40 FT	80	70.9	71.9	71.8	71.4	71.5	72.4	73.6	74.1	75.3	77.1	80.2	83.9	86.5	88.9				120.3
VEHICLE		(12 M)	100	73.4	73.4	74.4	73.9	73.4	75.2	77.2	78.6	79.5	81.4	84.2	88.8	92.3	92.7				124.8
CONFIG		JENOTS	125	76.2	75.5	75.2	75.7	75.5	78.5	80.2	80.7	82.0	85.0	86.7	90.9	93.8	95.3				127.0
LOC		JE-050	160	82.2	79.7	79.2	78.9	79.4	81.9	83.6	83.4	85.2	87.2	88.2	92.4	95.4	96.1				128.8
DATE		04-22-75	200	82.0	81.5	80.0	81.3	81.5	83.3	84.0	84.0	86.3	89.5	92.1	96.9	99.2	100.0				132.3
TAPE		X2021B	250	84.0	83.3	82.3	83.3	83.3	84.3	85.0	85.5	88.0	92.0	95.5	98.8	101.7	102.4				134.7
BAR		29.9 HG	315	84.5	83.3	83.8	84.5	85.0	86.2	84.5	85.0	88.1	93.8	97.8	100.1	104.2	106.8				137.3
TAMB		(288 DEG K)	400	82.2	80.2	84.8	82.9	84.2	85.0	86.8	89.0	92.6	94.8	95.0	102.5	105.5	103.9				137.3
THWT		(285 DEG K)	500	84.6	83.3	84.8	82.3	84.0	85.4	86.5	88.5	90.2	91.7	95.0	102.9	104.6	101.3				136.6
HACT		8.91 GM/M3	630	85.1	84.5	84.5	83.5	84.5	85.3	87.4	89.4	91.2	92.2	97.7	102.8	104.7	103.3				137.2
DIAMETER RATIO		0	800	83.5	83.9	84.1	84.5	85.3	86.0	86.7	89.6	92.0	94.3	97.5	100.5	101.0	104.2				135.9
DF/DH		1.00	1000	84.1	82.4	84.0	84.2	84.8	86.9	87.9	89.8	91.4	94.6	97.2	99.7	98.6	97.7				134.2
			1250	82.5	82.4	83.9	83.8	85.0	86.4	87.9	89.9	90.7	94.1	97.3	99.5	96.7	94.2				133.6
			1600	81.1	83.2	83.7	84.0	85.3	87.0	88.0	89.5	90.1	92.8	95.8	96.0	93.1	90.7				131.7
			2000	82.1	82.6	83.5	86.2	86.7	87.4	87.0	88.8	90.5	92.1	94.7	94.8	91.4	89.0				131.0
			2500	81.8	83.3	85.3	84.7	85.1	86.2	87.0	88.7	89.5	91.6	92.8	93.2	88.9	87.0				129.9
			3150	80.8	83.9	84.3	84.7	85.6	86.6	87.0	88.4	89.1	92.4	93.4	92.4	88.6	86.4				129.1
			4000	79.9	83.7	84.2	85.0	86.4	87.3	87.1	88.7	89.5	92.1	93.0	91.5	88.3	86.7				130.1
			5000	80.8	83.8	84.9	85.6	86.5	88.3	88.3	90.3	91.1	94.0	93.7	93.1	90.3	88.6				131.4
			6300	81.8	85.3	86.8	87.1	88.4	90.2	89.9	91.1	91.3	94.7	95.1	94.7	92.6	91.6				132.9
			8000	82.3	86.8	87.8	87.8	89.6	91.1	90.5	92.2	92.5	94.9	95.7	95.8	93.7	93.4				133.9
			10000	83.3	87.0	88.3	88.3	90.8	91.2	91.1	93.1	94.2	95.7	95.5	96.1	94.5	95.1				134.9
			12500	81.7	86.5	88.1	88.3	90.7	91.4	91.5	93.3	93.8	95.6	95.0	95.7	95.7	94.8				135.2
			16000	80.3	85.4	86.9	87.2	89.9	90.1	91.0	93.0	92.5	93.7	93.3	93.6	93.4	93.0				134.2
			20000	77.4	83.2	84.1	84.3	86.2	87.2	87.5	89.6	90.4	90.9	90.6	90.6	90.6	89.7				131.8
			25000	73.7	79.6	80.9	81.5	82.7	83.7	84.4	86.6	86.9	87.7	85.6	87.0	90.1	84.6				129.0
			31500	69.5	75.3	76.6	77.3	78.4	80.2	81.0	82.7	82.9	84.3	82.7	83.1	90.1	80.5				126.7
			40000	66.0	71.2	72.9	73.5	74.0	75.1	76.0	77.7	79.0	79.3	77.8	78.4	86.4	76.9				123.1
			50000	63.0	67.2	68.2	69.2	69.4	70.9	71.7	73.6	75.4	77.6	75.1	76.3	82.9	73.7				120.8
			63000	62.7	64.9	64.0	66.5	66.5	66.5	67.3	70.1	74.0	77.9	74.5	75.9	82.6	73.7				121.8
			80000	64.0	63.6	62.4	65.2	65.9	65.8	66.1	68.0	74.2	80.5	75.8	77.0	80.5	75.0				125.1
OVERALL MEASURED				96.1	97.7	98.6	98.8	100.3	101.3	101.7	103.6	104.5	106.9	108.7	111.6	113.0	112.9				147.8
OVERALL CALCULATED				107.1	109.1	109.9	110.1	111.2	112.7	112.9	114.5	118.6	128.2	119.6	120.8	121.1	120.7				

122

REV. ALPHA 12/73	FREQ	30.	40.	50.	60.	70.	80.	90.	100.	110.	120.	130.	140.	150.	160.	PWL
		(0.82)	(0.70)	(0.87)	(1.05)	(1.22)	(1.40)	(1.57)	(1.75)	(1.92)	(2.09)	(2.27)	(2.44)	(2.62)	(2.79)	(0.0)
		0.	0.	0.	0.	0.	0.	0.	0.	0.	0.	0.	0.	0.	0.	(0.0)
NO EGA.	63	67.3	62.8	68.6	68.9	69.0	69.3	69.6	70.0	70.6	72.3	75.0	78.8	83.1	82.7	115.7
RDG, NO.	80	70.3	71.3	70.9	71.0	71.5	72.2	72.5	73.2	73.4	75.3	78.8	82.6	81.5	87.1	181.5
RADIAL 40, FT.	100	72.4	73.4	73.3	73.1	73.0	74.4	75.8	76.1	77.1	79.1	82.7	86.1	88.8	90.6	122.5
(12, M)	125	75.7	75.7	76.9	75.9	75.4	77.7	79.2	80.8	81.5	83.2	86.2	90.8	94.3	94.9	126.9
VEHICLE JENOTS:	160	78.2	77.7	77.5	78.0	77.2	80.7	82.9	83.5	84.2	86.5	88.5	93.1	95.5	98.0	129.2
CONFIG JE-058.	200	83.9	81.4	81.7	80.9	81.7	84.7	85.9	85.7	87.9	88.9	90.4	94.2	97.1	98.4	130.8
LPC EVENDALE	250	84.0	83.5	81.3	82.5	83.0	83.3	85.3	85.8	87.3	90.3	94.1	98.6	100.5	101.5	133.7
DATE 04-22-75	315	85.5	85.5	84.3	85.0	84.5	85.8	85.5	87.0	92.0	93.3	96.5	100.0	102.9	103.1	135.8
RUN DBTF MODEL 2:	400	86.3	86.8	85.5	86.3	86.8	87.7	86.3	90.5	91.5	95.0	99.0	102.4	106.7	108.5	139.3
TAPE X20220	500	84.4	82.0	85.6	84.2	85.2	86.5	88.1	90.1	92.8	96.1	96.8	104.5	107.5	105.9	139.2
BAR 29.6 HG	630	85.8	86.1	86.3	85.0	85.7	87.4	89.0	90.5	92.2	93.9	97.5	104.6	106.3	103.8	138.3
(01039, N/M2)	800	86.6	86.7	86.2	85.0	86.5	87.3	89.1	90.9	93.7	94.7	98.7	105.3	106.7	104.3	139.1
TAMB 59, DEG F	1000	84.7	85.7	86.1	86.3	87.3	87.5	88.4	91.4	93.3	96.5	99.2	102.3	102.2	105.2	137.4
(288, DEG K)	1250	85.6	86.6	86.0	85.7	86.5	88.2	89.4	91.1	93.1	96.3	99.0	101.2	99.9	98.2	135.7
TWET 53, DEG F	1600	84.2	86.7	85.9	85.3	86.2	88.2	88.9	91.2	92.4	95.9	98.6	100.7	96.7	94.7	134.8
(285, DEG K)	2000	82.8	88.0	85.4	86.2	87.3	88.7	89.0	90.7	92.1	95.3	97.6	97.2	94.1	90.7	133.3
HACT 8.91 GM/M3	2500	84.6	86.8	85.5	87.4	88.5	89.1	89.0	90.6	92.0	93.9	96.2	96.3	92.1	89.8	132.6
(.00891 KG/M3)	3150	84.3	86.6	87.3	86.7	87.4	89.2	89.0	90.2	91.3	94.1	94.8	94.9	90.4	87.7	131.9
FREQ, SHIFT	4000	83.3	88.9	87.5	88.1	89.3	89.5	90.9	90.9	91.8	94.4	94.7	94.9	91.3	88.9	132.3
JET 0	5000	82.7	86.7	87.2	88.3	88.9	90.1	90.1	92.2	92.8	95.6	95.0	94.5	92.0	89.5	133.1
DIAMETER RATIO	6300	83.5	87.5	88.1	88.6	89.5	91.1	91.5	93.5	94.8	97.5	97.0	97.1	94.0	91.9	134.8
DF/DH 1.00	8000	84.8	87.1	90.0	90.6	91.6	93.0	93.2	94.4	96.3	98.9	98.6	98.7	96.3	95.3	136.5
	10000	85.3	96.3	90.8	91.3	92.6	94.1	93.5	96.0	96.3	99.4	99.2	99.8	98.2	97.4	137.7
	12500	86.8	96.5	91.3	92.1	93.5	94.5	94.5	96.9	97.7	99.7	100.0	101.1	99.5	99.1	139.0
	16000	86.2	90.7	92.1	92.5	94.4	95.2	95.2	97.3	98.0	99.9	99.5	101.5	100.2	99.3	139.6
	20000	85.8	90.4	91.1	91.2	93.4	94.4	95.2	96.5	97.8	98.4	98.3	100.1	99.6	98.5	139.1
	25000	84.6	90.4	91.1	90.7	91.7	92.2	92.5	94.8	95.9	96.2	95.6	97.8	97.6	97.9	137.7
	31500	83.4	90.1	90.1	89.5	89.2	89.5	89.1	91.4	92.1	92.9	92.1	94.8	95.4	94.9	135.3
	40000	78.8	85.8	86.4	86.3	85.9	86.9	86.0	87.7	88.1	89.6	88.2	90.7	94.1	89.3	132.5
	50000	73.7	86.9	81.9	82.5	82.8	82.1	81.8	83.4	84.0	85.1	83.8	85.4	90.2	86.2	129.0
	63000	89.7	78.2	77.2	77.0	77.9	78.9	78.5	80.1	79.9	82.6	80.3	82.5	87.1	82.7	126.6
	80000	86.4	71.9	72.8	72.7	75.3	75.5	75.5	78.1	77.5	80.7	77.0	79.4	83.6	78.7	123.6
OVERALL MEASURED		89.0	68.9	66.7	68.4	74.7	75.3	75.6	77.8	75.7	82.2	76.8	78.0	82.5	77.7	128.0
OVERALL CALCULATED		98.7	101.3	102.0	102.8	103.3	104.4	104.7	106.6	107.8	120.0	111.1	114.2	115.2	114.8	130.6
PND8:		169.8	111.8	112.6	112.9	113.8	115.2	115.5	117.1	118.8	121.3	122.1	123.6	123.2	122.6	

123

222

ORIGINAL PAGE IS OF POOR QUALITY

	ANGLES FROM INLET IN DEGREES (AND RADIANS)																0, 0, 0,			PWL
	30,	40,	50,	60,	70,	80,	90,	100,	110,	120,	130,	140,	150,	160,	(0,	(0,	(0,	PWL		
RBV. ALPHA 12/73	FREQ: (0,72)	(0,70)	(0,87)	(1,05)	(1,22)	(1,40)	(1,57)	(1,75)	(1,92)	(2,09)	(2,27)	(2,44)	(2,62)	(2,79)	(0,	(0,	(0,			
NO EGA	50	70,1	76,8	71,1	71,2	70,7	70,8	70,9	72,0	72,6	74,6	77,3	81,3	85,1	85,5				118,0	
RDG, NO. 0.	63	72,6	72,8	73,2	73,2	73,5	74,2	74,5	75,2	75,9	78,3	80,6	84,6	93,0	89,8				123,4	
RADIAL - 40, FT.	80	74,9	75,6	76,0	75,4	75,5	76,2	77,3	78,3	79,3	81,4	85,0	89,1	91,8	94,4				125,4	
(12, M)	100	77,9	77,9	79,2	78,4	77,9	79,9	81,7	83,3	84,0	85,9	88,7	93,8	97,3	97,9				129,8	
VEHICLE JENOTS:	125	81,0	80,2	80,5	80,5	80,2	83,2	84,9	85,7	86,2	89,0	91,5	96,1	98,8	100,5				132,0	
CONFIG JE=054	160	86,7	83,9	83,2	83,9	83,9	86,9	88,4	87,9	88,4	90,4	93,2	97,2	99,4	100,6				133,3	
LOC EVENDALE	200	85,8	85,5	83,8	85,0	84,8	87,3	87,5	88,3	89,8	92,5	96,3	101,1	102,7	103,3				135,9	
DATE 04-22-75	250	88,0	87,8	86,3	86,5	86,5	88,0	87,8	89,0	89,0	91,5	95,3	99,3	103,0	105,9				138,4	
RUN OBT=MODEL 2:	312	88,8	87,0	89,0	88,0	89,0	90,0	88,5	92,3	93,5	96,8	101,3	104,4	108,7	109,3				140,9	
TAPE X20238	400	86,4	88,0	87,1	86,7	88,2	89,0	90,3	92,3	94,8	97,8	98,8	106,5	110,0	107,6				141,4	
BAR 29,9 HG	500	88,3	88,3	88,6	86,8	88,0	89,9	91,2	92,7	94,4	96,4	100,0	106,6	108,6	106,3				140,7	
(01039, N/M2)	630	89,8	88,2	88,7	87,2	89,2	89,3	91,1	93,4	98,2	97,5	101,5	106,6	108,9	105,8				141,0	
TAMB 59, DEG F	800	86,7	88,2	88,4	88,5	89,8	90,0	91,2	93,9	95,5	98,8	101,7	104,8	103,7	105,5				139,3	
(288, DEG K)	1000	87,8	88,6	88,5	87,9	88,5	90,9	92,2	93,8	95,6	98,6	101,0	102,9	101,4	99,7				137,7	
TWET 53, DEG F	1250	86,7	88,9	88,1	88,0	89,0	90,9	92,2	93,9	94,9	98,4	101,3	102,0	97,9	95,9				136,9	
(285, DEG K)	1600	85,6	87,2	87,7	88,5	89,8	91,2	92,0	93,5	94,6	97,8	99,8	99,5	95,6	92,5				135,7	
HACT 8.91 GM/M3	2000	87,1	87,1	87,5	90,2	90,5	91,6	91,8	93,6	94,5	96,6	98,9	98,0	94,4	91,5				135,1	
(.00891 KG/M3)	2500	86,1	88,3	90,0	89,2	89,9	90,9	91,7	93,7	94,5	96,6	97,0	97,2	93,4	90,2				134,5	
FREQ, SHIFT	3150	86,1	88,9	89,8	90,2	90,6	92,3	92,5	93,9	94,8	96,9	97,2	97,4	94,1	91,4				135,0	
JET 0	4000	85,7	89,2	90,2	90,3	91,9	93,3	93,4	95,2	96,3	98,4	97,3	98,0	95,3	92,2				136,0	
DIAMETER RATIO	5000	86,5	89,5	90,4	91,4	92,5	94,1	94,8	96,8	98,3	100,3	99,0	99,9	97,5	94,9				137,7	
DF/DH 1:00	6300	87,8	91,1	91,5	92,4	93,9	95,7	95,4	97,4	99,1	101,2	100,6	101,4	99,6	97,6				139,1	
	8000	88,3	91,6	92,6	93,3	95,1	96,1	95,8	98,2	99,3	101,4	101,5	103,0	100,9	100,2				140,2	
	10000	89,8	92,5	93,8	94,1	95,8	97,0	96,8	98,9	100,7	102,2	102,2	103,6	102,5	101,4				141,4	
	12500	89,7	98,5	94,3	94,5	96,7	97,4	97,7	99,6	100,5	101,6	102,0	104,2	103,4	102,1				142,1	
	16000	89,1	93,9	94,4	94,2	96,4	96,9	97,7	99,7	100,3	100,7	100,6	102,4	101,6	100,5				141,6	
	20000	90,1	95,9	95,6	94,3	94,7	94,7	95,5	97,6	98,2	98,2	97,8	99,6	99,1	97,7				140,1	
	25000	89,2	95,9	96,9	95,2	94,5	93,5	93,1	95,1	95,4	95,4	94,9	97,3	97,4	94,9				139,0	
	31500	82,5	88,1	89,6	90,8	90,9	91,2	89,8	91,5	91,4	92,3	91,5	93,3	94,4	90,5				135,5	
	40000	78,7	84,7	85,4	85,5	85,8	86,1	85,0	86,7	88,0	87,3	87,3	89,4	90,9	87,2				131,9	
	50000	75,2	81,9	83,2	82,5	81,9	81,9	81,7	83,4	83,4	84,6	83,3	86,8	87,9	85,0				129,7	
	63000	73,2	77,9	78,5	79,2	78,5	78,3	78,3	80,6	80,3	83,2	80,0	85,9	87,1	84,7				129,4	
	80000	73,0	73,4	74,7	75,9	76,4	76,5	76,3	78,8	77,2	83,0	78,0	86,5	87,3	85,5				131,7	
OVERALL MEASURED																				
OVERALL CALCULATED		161,7	108,4	105,1	104,6	106,0	107,0	107,3	109,3	110,5	112,3	113,5	116,4	117,5	119,4				153,0	
PNOB		122,1	118,9	114,8	113,1	116,3	117,8	118,1	120,0	121,5	123,7	124,4	126,1	125,7	124,2					

124

REV. ALPHA 12/73	FREQ.	ANGLES FROM INLET IN DEGREES (AND RADIANS)															RWLI		
		30. (0.52)	40. (0.70)	50. (0.87)	60. (1.05)	70. (1.22)	80. (1.40)	90. (1.57)	100. (1.75)	110. (1.92)	120. (2.09)	130. (2.27)	140. (2.44)	150. (2.62)	160. (2.79)	(0.0)		(0.0)	(0.0)
NO EGA.	50	76.1	76.1	76.1	77.4	77.7	76.6	76.1	76.8	82.1	78.1	82.0	83.5	88.3	88.2				122.0
RDG. NO.	63	77.6	77.8	77.4	78.7	78.3	78.9	77.8	78.4	84.1	80.6	84.8	87.9	93.7	93.8				125.0
RADIAL 40, FT.	80	79.1	79.6	79.5	80.1	79.5	80.4	80.8	80.8	86.6	84.1	88.7	91.4	94.3	96.4				128.2
(12. M)	100	81.4	80.9	81.7	81.2	81.7	82.7	84.7	85.1	89.5	87.9	91.2	96.0	99.3	99.4				132.0
VEHICLE JENOTS.	125	83.5	83.2	82.5	84.0	83.0	85.5	87.2	87.2	93.0	90.5	94.2	97.6	100.8	102.0				134.1
CONFIG JE-058	160	88.7	86.4	85.4	86.2	86.2	88.4	90.1	90.2	94.4	93.7	95.7	99.7	101.6	102.1				135.5
LOC EVENDALE	200	88.3	87.8	85.3	87.0	86.8	89.8	89.8	90.3	94.8	95.5	99.6	104.4	106.0	106.3				139.1
DATE 04-22-75	250	90.3	89.8	88.5	89.3	89.0	90.5	90.5	91.0	98.5	97.8	101.8	106.0	108.7	106.1				141.0
RUN DBTF-MODEL 2:	315	91.8	89.3	90.0	90.8	91.5	92.0	90.3	94.5	96.3	99.0	103.5	107.4	111.2	111.5				143.4
TAPE X20248	400	89.2	86.5	91.3	88.9	90.4	91.2	92.3	94.1	98.8	99.8	101.3	108.0	111.5	107.6				142.9
BAR 29.9 HG	500	92.8	90.3	91.1	90.5	90.7	92.1	93.7	95.2	97.9	99.2	102.7	109.1	111.3	109.1				143.4
(01039, N/M2)	630	91.1	90.7	90.7	90.2	91.2	91.8	94.1	96.1	98.7	99.7	103.2	108.6	111.2	108.3				143.2
YAMA 59, DEG F	800	89.7	90.7	90.9	91.0	92.0	93.3	93.9	96.6	98.8	102.0	104.2	107.3	107.0	107.5				142.0
(288, DEG K)	1000	90.1	88.9	90.8	90.4	91.5	93.4	95.2	96.3	98.9	101.6	103.2	105.4	104.1	101.9				140.3
THET 53, DEG F	1250	88.2	89.2	90.6	90.8	92.0	93.7	95.2	96.7	98.7	101.4	104.1	105.2	101.2	98.4				140.0
(285, DEG K)	1600	88.1	90.2	90.2	91.2	92.6	94.0	95.3	96.5	98.3	100.5	102.6	103.0	99.1	95.7				138.8
HACT 8.91 GM/M3	2000	89.1	89.6	89.8	92.4	93.2	94.4	94.8	96.3	97.7	99.9	101.2	102.3	98.1	94.5				138.2
(.00891 KG/M3)	2500	88.6	90.8	91.8	91.0	91.9	93.7	94.7	95.7	98.3	100.1	100.5	102.2	97.4	93.8				138.0
FREQ. SHIFT	3150	88.3	91.9	92.0	92.2	93.6	94.9	95.0	96.1	98.1	100.1	100.4	102.6	97.8	94.6				138.4
JET 0	4000	87.7	91.2	92.0	92.3	93.7	94.8	95.6	97.0	98.6	100.7	100.6	103.3	98.3	95.5				138.9
DIAMETER RATIO	5000	88.8	92.0	92.4	92.9	94.3	96.1	96.6	98.8	100.6	101.8	101.7	105.7	100.3	97.9				140.6
DF/DH 1.08	6300	89.3	92.9	93.1	93.9	95.7	97.3	97.4	99.2	100.6	102.7	102.4	107.0	102.1	99.9				141.7
	8000	90.1	93.4	94.1	94.8	96.4	97.7	97.3	99.5	100.8	103.2	103.5	107.6	103.7	101.7				142.6
	10000	91.6	94.6	94.9	95.2	96.9	98.0	97.6	99.9	102.0	103.3	104.0	108.4	104.3	102.9				143.6
	12500	91.5	95.6	95.9	95.6	97.3	97.8	98.6	99.7	100.9	103.0	103.1	108.3	103.5	102.2				143.6
	16000	92.9	98.0	97.5	96.0	97.2	97.5	98.6	99.6	99.9	100.5	101.2	106.0	101.7	100.3				142.7
	20000	92.5	98.3	98.3	96.3	96.3	96.0	96.7	98.2	98.3	98.3	98.7	103.7	99.3	96.8				141.5
	25000	88.3	94.5	95.7	96.8	95.8	95.1	94.2	95.0	98.5	96.1	95.8	100.9	97.3	94.0				139.9
	31500	83.9	88.9	90.0	90.9	91.5	92.8	91.1	92.3	93.0	92.9	93.6	97.9	95.5	90.6				137.1
	40000	82.3	87.3	88.0	87.8	87.1	87.7	87.6	88.3	92.4	89.7	90.9	94.0	92.7	89.5				134.6
	50000	80.6	84.5	84.8	85.1	84.5	85.0	84.5	86.0	90.2	89.1	91.9	92.8	91.2	89.5				134.5
	63000	80.9	82.4	82.5	83.2	83.5	83.0	82.5	84.8	92.3	90.2	92.8	93.2	91.9	91.2				136.5
	80000	81.8	81.4	80.7	82.0	83.2	83.1	83.1	84.8	92.0	92.2	93.3	94.8	93.0	92.7				140.5
OVERALL MEASURED		104.0	106.5	106.9	106.8	107.7	108.7	109.2	110.7	112.8	114.3	115.8	119.8	119.8	118.2				135.4
OVERALL CALCULATED		114.4	116.4	116.8	117.8	118.3	119.8	120.3	122.1	124.3	125.8	126.8	130.4	128.1	126.5				

ORIGINAL PAGE IS OF POOR QUALITY

REV, ALPHA 12/73	FREQ.	ANGLES FROM INLET IN DEGREES (AND RADIANIS)																		RWL'
		30. (0.52)	40. (0.70)	50. (0.87)	60. (1.05)	70. (1.22)	80. (1.40)	90. (1.57)	100. (1.75)	110. (1.92)	120. (2.09)	130. (2.27)	140. (2.44)	150. (2.62)	160. (2.79)	(0.0)	(0.0)	(0.0)		
NO EGA	50	75.1	75.6	75.4	76.4	76.0	75.1	74.9	76.5	79.1	82.3	83.8	86.8	89.1	89.5				122.9	
RDG. NO. 0	63	78.3	77.6	77.2	77.7	78.5	78.4	79.0	79.4	80.9	86.1	86.1	90.4	94.0	93.8				125.7	
RADIAL - 40. FT.	80	79.9	80.4	79.8	79.6	79.8	80.7	81.8	82.3	84.8	88.6	90.2	93.6	95.8	98.1				129.8	
(12. M)	100	82.9	82.7	83.4	82.9	82.9	84.4	86.0	87.6	89.2	92.4	92.9	98.0	101.5	101.9				134.2	
VEHICLE JENOTS:	125	85.2	85.0	84.5	85.0	84.5	87.0	89.2	90.0	91.5	95.5	96.2	100.6	102.5	104.3				136.3	
CONFIG JE-056	160	90.7	88.4	87.4	87.9	88.4	90.9	92.1	91.7	94.7	97.4	98.2	102.2	103.9	104.9				137.9	
LOC EVENDALE	200	90.0	89.8	87.5	89.5	89.0	91.8	92.0	92.5	94.8	99.5	101.3	106.4	107.7	108.3				141.1	
DATE 04-22-75	250	91.5	92.0	91.0	92.0	91.3	92.3	92.3	93.8	99.3	100.3	104.3	108.3	110.2	108.1				142.9	
RUN DBTF-MODEL 2:	315	93.0	91.3	91.8	92.8	93.0	94.0	93.0	96.3	97.8	101.3	105.3	109.4	112.7	112.3				144.9	
TAPE X20258	400	90.7	88.5	90.1	91.2	92.4	93.0	94.1	96.1	99.1	102.8	103.3	110.3	114.0	109.9				145.2	
BAR 29.6 HG	500	92.8	92.6	93.1	91.8	92.7	94.6	95.7	97.7	100.2	102.2	104.5	111.4	112.3	110.8				145.2	
(01039, N/M2)	630	93.8	93.0	93.2	92.0	93.2	93.8	96.1	97.6	100.7	102.2	106.2	109.8	112.9	110.8				145.2	
TAMP 59. DEG F	800	92.0	92.7	93.1	93.3	94.3	95.3	96.9	99.4	100.5	104.5	106.7	109.5	109.0	111.0				144.4	
(288, DEG K)	1000	92.8	91.6	93.3	93.2	94.3	95.9	97.2	98.6	100.9	104.8	106.7	106.7	106.6	106.2				142.9	
TWET 53. DEG F	1250	91.7	92.2	93.6	93.5	94.5	96.2	97.4	99.2	100.7	104.6	105.8	106.7	103.9	103.2				142.3	
(285, DEG K)	1600	90.8	93.2	93.2	93.7	95.6	96.5	97.3	99.0	101.1	103.5	105.1	105.2	102.1	101.0				141.4	
HACT 8.91 GM/M3	2000	91.9	92.3	92.5	94.9	95.7	97.4	97.5	99.3	100.7	103.1	104.4	104.5	101.9	100.3				141.2	
(.00891 KG/M3)	2500	91.3	93.3	94.3	93.5	94.9	96.4	97.7	99.2	101.1	103.1	103.8	104.2	101.2	99.3				140.9	
FREQ. SHIFT	3150	90.6	93.7	94.8	95.2	95.9	97.4	97.8	98.9	101.3	103.9	103.7	104.1	101.6	99.9				141.3	
JET 0	4000	90.2	93.0	94.5	94.8	95.9	97.6	98.1	100.2	102.1	103.4	103.6	104.3	102.1	99.8				141.5	
BIAHEYER RATIO	5000	91.3	94.3	94.4	95.4	95.8	98.4	99.3	101.3	103.6	104.8	104.7	106.2	103.5	101.1				142.9	
DF/DM 1.00	6300	91.5	94.1	95.1	96.2	97.4	99.3	99.9	101.9	103.8	105.2	105.4	107.2	105.4	102.6				143.8	
	8000	91.8	95.6	95.4	96.1	98.1	99.7	100.1	102.0	103.8	106.0	106.0	107.8	105.7	103.7				144.5	
	10000	92.6	96.4	97.1	97.2	98.4	99.8	100.1	101.7	104.0	106.3	105.8	107.4	105.3	104.2				144.9	
	12500	93.0	96.8	99.4	98.1	98.8	99.3	100.3	101.7	102.9	105.0	104.6	106.6	104.3	102.4				144.5	
	16000	93.7	100.2	100.7	98.8	99.0	99.2	99.6	100.8	101.9	102.3	102.7	104.2	102.0	100.1				143.7	
	20000	90.3	97.3	98.5	98.6	98.6	97.8	98.2	98.9	99.6	100.3	100.0	101.7	99.3	97.1				142.2	
	25000	87.5	93.5	94.7	95.6	96.6	96.1	95.7	96.5	97.5	97.8	97.5	98.7	97.5	94.5				140.2	
	31500	83.4	89.9	91.0	91.4	91.8	93.1	93.4	93.6	94.5	95.7	95.3	96.4	95.5	91.6				137.9	
	40000	81.6	87.3	88.8	88.8	88.6	88.7	88.9	89.8	92.4	92.4	92.4	93.0	92.5	90.2				135.5	
	50000	80.3	88.8	86.0	85.8	85.5	85.5	86.3	87.2	91.2	93.4	92.4	93.1	91.9	90.3				135.6	
	63000	81.2	83.4	83.5	84.2	84.0	83.8	84.0	85.8	92.3	95.0	94.3	93.7	92.7	91.5				138.1	
	60000	81.3	81.4	81.4	82.7	83.2	83.3	83.9	85.6	92.5	96.7	94.0	94.8	93.8	92.5				141.8	
OVERALL MEASURED																				
OVERALL CALCULATED		105.5	106.2	108.8	108.8	109.6	110.7	111.4	113.0	114.9	118.2	120.8	121.6	120.3					157.2	
PND8		116.5	118.4	119.2	119.6	120.5	122.1	122.8	124.6	126.8	128.9	129.5	131.5	130.6	128.9					

126

225

MODEL SOUND PRESSURE LEVELS (59. DEG. F, 70 PERCENT REL. HUM, DAY -- JENOTS)

REV, ALPHA 12/73	FREQ.	ANGLES FROM INLET IN DEGREES (AND RADIANS)																		PWL
		30, (0.52)	40, (0.70)	50, (0.87)	60, (1.05)	70, (1.22)	80, (1.40)	90, (1.57)	100, (1.75)	110, (1.92)	120, (2.09)	130, (2.27)	140, (2.44)	150, (2.62)	160, (2.79)	0, (0.)	0, (0.)	0, (0.)		
NO EGA.	50	61,6	62,8	61,4	61,4	62,0	61,8	62,9	62,5	63,6	64,8	66,8	69,5	72,3	73,2				106,8	
RDG. NO. 0	63	63,6	71,3	64,2	64,5	64,5	64,7	65,3	66,2	66,1	68,1	69,8	72,9	76,0	77,3				110,5	
RADIAL 40, FT.	80	63,9	64,6	64,5	63,6	64,8	65,2	66,3	67,1	68,6	69,9	72,2	76,1	78,8	81,1				112,7	
(12, M)	100	64,9	64,9	66,7	66,7	66,9	68,4	70,2	71,6	72,5	73,9	75,4	80,3	83,5	83,9				116,4	
VEHICLE JENOTS.	125	88,2	68,2	68,0	68,0	67,7	71,0	73,7	73,7	75,2	77,0	79,2	80,4	84,2	86,6				119,4	
CONFIG. JE-056.	160	73,9	71,4	72,2	71,4	71,9	74,7	76,4	75,7	79,2	79,2	80,4	84,2	86,6	87,6				120,7	
LOC EVENDALE	200	73,3	73,5	71,5	72,5	73,3	75,3	76,8	77,3	78,8	81,0	82,8	86,6	89,2	90,8				122,9	
DATE 04-22-75	250	77,5	78,8	75,8	76,0	76,5	77,0	78,3	80,0	80,0	86,3	85,0	87,5	88,3	92,2				126,2	
RUN DBTF MODEL 2	315	78,0	78,5	77,0	77,0	78,3	80,2	79,0	83,3	84,3	86,0	88,3	88,9	91,9	95,8				127,0	
TAPE X20260	400	73,9	73,7	81,1	75,4	77,4	78,0	79,8	82,3	85,1	87,1	85,5	91,3	93,5	91,6				126,7	
BAR 29,9 HG	500	72,6	73,6	75,1	73,5	75,5	76,9	78,2	79,5	81,2	82,2	84,5	90,9	91,6	90,8				125,0	
(01639, N/M2)	600	72,6	74,2	75,2	73,7	75,7	75,8	78,4	79,6	82,2	82,5	84,5	89,1	89,9	90,6				124,2	
TAMB 59, DEG F	800	72,7	74,7	75,1	75,8	76,8	76,8	78,4	80,4	81,5	84,5	86,0	88,0	87,5	89,0				123,7	
(288, DEG K)	1000	73,8	73,4	75,5	75,4	76,0	77,9	79,7	80,8	82,1	84,1	85,2	87,7	85,4	84,7				123,0	
THET 53, DEG F	1250	73,0	73,9	75,6	75,5	77,2	78,4	79,9	80,4	81,4	83,4	85,6	87,2	84,7	80,7				122,6	
(285, DEG K)	1600	72,8	73,2	76,2	76,2	78,1	79,0	79,5	80,0	81,3	82,8	84,8	85,0	82,4	78,5				121,8	
HACT 3,91 GM/M3	2000	74,4	73,6	76,5	78,2	79,7	79,4	79,8	80,5	81,6	83,9	84,8	81,1	78,5					121,6	
(.00891 KG/M3)	2500	74,3	78,1	78,3	77,5	77,4	78,2	79,2	79,7	80,3	81,6	83,3	84,5	81,2	78,0				121,2	
FREQ. SHIFT	3150	73,6	76,7	77,5	78,2	78,4	79,1	80,0	79,7	80,3	82,6	83,7	84,6	82,6	80,2				121,8	
JET	4000	72,4	75,2	77,3	78,1	79,2	79,6	79,9	80,5	81,1	82,7	84,3	85,1	82,6	80,0				122,2	
DIAMETER RATIO	5000	72,8	77,3	78,4	78,6	79,6	80,9	81,6	82,3	83,1	84,0	85,5	86,7	83,8	82,6				123,7	
DE/DH 1.00	6300	73,3	77,4	79,3	79,9	81,5	82,5	82,5	84,0	84,1	85,0	85,9	86,8	84,7	83,9				124,8	
	8000	73,6	78,4	79,9	80,4	82,2	82,2	82,6	84,3	85,4	86,3	86,3	86,9	84,8	85,3				125,6	
	10000	73,5	78,9	79,9	81,2	82,4	83,1	83,0	84,2	85,1	86,9	86,9	86,2	84,2	84,5				126,0	
	12500	71,1	77,9	79,5	80,4	82,1	82,8	83,1	83,7	84,4	85,5	85,9	85,1	82,6	81,7				125,5	
	16000	69,2	78,0	77,8	78,6	80,5	80,8	81,9	82,6	82,9	83,8	83,7	83,0	80,8	80,4				124,3	
127	20000	66,1	73,6	74,3	75,1	77,6	77,8	78,7	79,7	80,6	81,3	81,0	79,7	77,8	76,8				121,8	
	25000	63,3	71,0	72,7	73,1	74,6	75,4	75,7	77,8	78,0	78,6	77,5	76,4	74,5	73,2				119,6	
	31500	59,9	67,7	68,2	69,7	70,7	72,5	73,1	75,0	74,9	75,7	74,3	73,4	71,7	69,6				117,1	
	40000	57,5	65,0	65,7	66,8	67,6	68,1	68,8	71,5	71,6	72,6	70,6	68,7	67,9	66,7				114,3	
	50000	57,1	61,8	62,6	63,1	63,8	64,6	65,6	68,8	68,6	70,2	67,4	67,2	66,0	65,1				112,6	
	63000	58,0	59,2	59,3	60,3	60,6	60,4	61,3	67,9	66,6	70,0	67,1	67,0	66,2	66,0				113,3	
	80000	56,2	56,8	56,1	57,8	58,3	58,2	58,5	68,9	65,8	71,8	67,9	67,6	67,4	67,8				116,9	
OVERALL MEASURED		87,3	89,5	91,0	91,1	92,4	93,2	93,9	95,1	96,4	97,7	98,7	100,7	101,2	102,0				137,9	
OVERALL CALCULATED		PNDB	98,9	101,4	102,5	102,8	103,9	104,9	105,4	106,6	107,5	108,7	110,1	111,7	110,4	110,4				

ORIGINAL PAGE IS OF POOR QUALITY

226

REV, ALPHA 12/73	FREQ	ANGLES FROM INLET IN DEGREES (AND RADIANS)																PWL
		30	40	50	60	70	80	90	100	110	120	130	140	150	160	170	180	
NO EGA	50	66.1	68.6	69.9	68.2	68.0	68.6	68.3	72.6	75.1	73.5	75.3	76.6	81.5			113.6	
RDG, NO. 0	63	66.8	70.6	70.2	69.7	69.5	70.7	72.8	69.9	72.6	77.6	75.6	78.6	80.0	88.6		117.8	
RADIAL 40, FT	80	68.1	70.4	71.0	70.6	70.5	70.9	71.6	72.1	74.3	79.9	77.7	81.6	83.0	88.9		119.1	
(12, M)	100	69.2	70.9	72.7	72.2	71.9	73.4	75.0	76.3	80.0	82.4	81.2	85.5	88.3	89.9		122.1	
VEHICLE JENQTS:	125	72.0	73.0	72.7	73.0	72.7	76.0	77.9	77.7	80.7	86.7	84.7	88.1	90.3	93.3		124.9	
CONFIG JE-056	160	77.2	78.4	75.2	75.9	75.9	79.4	80.6	79.9	83.7	87.7	86.9	88.9	90.9	92.6		125.8	
LDC EVENDALE	200	76.5	78.3	75.8	76.5	77.0	79.3	80.0	80.5	82.8	87.8	86.3	90.6	92.2	94.8		126.8	
DATE 04-22-75	250	79.5	79.8	79.0	78.5	79.0	80.0	80.5	82.0	88.0	89.0	89.0	91.3	94.2	94.6		128.3	
RUN DBTF-MODEL 2	315	79.8	80.0	79.5	79.3	80.5	82.0	81.0	84.8	85.8	88.5	89.5	91.4	94.9	97.3		129.0	
TAPE X20276	400	76.4	75.2	80.3	77.7	79.4	80.7	81.3	83.8	88.8	89.8	87.5	93.8	96.0	93.9		129.0	
BAR 29.6 HG	500	76.3	77.6	78.6	78.0	79.0	80.6	81.7	83.0	84.7	87.4	87.7	94.6	93.8	91.1		128.0	
(01039, N/M2)	630	75.8	77.7	78.7	78.2	79.5	79.8	81.6	82.9	84.9	87.5	87.7	92.6	92.9	90.6		127.2	
TAMB 59, DEG F	800	76.5	78.2	78.9	79.3	80.0	80.8	81.7	84.6	85.8	89.5	89.2	91.8	90.5	89.7		127.2	
(288, DEG K)	1000	77.1	77.6	79.0	79.7	80.0	81.7	82.7	83.3	85.4	88.1	88.0	90.9	88.1	84.9		126.1	
THET 53, DEG F	1250	76.5	78.2	79.4	79.3	80.2	82.4	82.9	84.2	85.9	87.9	88.6	90.5	86.9	83.2		125.9	
(285, DEG K)	1600	76.3	79.2	80.2	80.5	82.3	83.7	83.8	84.5	85.3	87.3	87.8	88.0	85.4	81.2		125.6	
HACT 8.91 GM/M3	2000	78.3	79.8	81.3	83.9	84.5	84.6	84.8	84.8	85.0	86.6	87.9	88.8	85.9	82.8		126.2	
(.00891 KG/M3)	2500	79.1	81.8	84.5	83.5	83.6	84.4	85.7	85.9	85.8	87.8	88.8	89.7	86.2	83.2		127.0	
FREQ, SHIFT	3150	79.1	83.4	85.0	85.0	84.8	85.6	85.8	86.9	86.6	89.6	90.7	91.4	88.1	85.6		129.4	
JET 0	4000	78.7	82.7	84.2	84.3	85.9	87.3	86.9	88.2	88.0	90.9	91.5	91.8	89.5	86.5		129.4	
DIAETER RATIO	5000	79.8	84.0	85.1	85.6	86.5	87.8	88.3	89.8	90.3	93.0	93.7	93.9	92.0	88.9		131.3	
DF/DH 1.00	6300	81.3	85.3	86.5	87.1	88.4	90.2	90.2	91.1	91.3	94.4	94.9	95.4	93.6	90.8		132.9	
	8000	81.5	87.1	87.8	88.0	89.8	91.4	90.8	92.5	93.5	95.9	96.0	97.3	94.9	92.9		134.6	
	10000	82.8	87.5	88.8	89.1	90.8	91.7	91.3	93.1	94.2	96.2	96.0	97.3	96.5	94.4		135.5	
	12500	81.9	87.2	88.1	88.3	90.7	91.4	92.7	93.1	94.3	96.4	96.0	97.0	96.7	95.3		135.9	
	16000	80.6	86.4	87.1	87.4	90.1	90.4	91.5	92.7	93.5	94.7	94.1	95.4	95.4	94.0		135.0	
	20000	77.4	83.7	84.4	85.2	86.7	87.7	88.5	90.3	91.4	92.7	91.6	92.6	92.6	91.9		133.0	
	25000	72.9	81.4	82.1	82.7	84.0	84.7	85.4	87.4	88.9	89.2	87.9	89.3	88.6	87.1		130.3	
	31500	69.3	77.3	78.4	79.1	79.9	81.9	82.3	84.2	85.4	86.3	85.0	85.8	85.4	83.5		127.6	
	40000	66.5	74.9	75.7	76.2	76.8	78.1	78.3	79.9	82.8	82.8	81.5	82.0	82.2	81.2		125.0	
	50000	63.7	72.2	72.9	73.2	73.9	75.2	76.0	77.1	80.4	81.6	80.8	81.0	81.1	80.0		124.2	
	63000	62.7	70.4	70.8	71.5	72.5	72.8	73.0	75.1	80.8	82.7	81.5	81.7	81.4	80.7		126.2	
	80000	62.5	70.1	69.7	70.2	72.7	72.3	72.8	74.3	82.2	84.7	83.3	83.5	82.8	82.0		130.5	
OVERALL MEASURED																		
OVERALL CALCULATED		92.7	96.6	97.6	97.6	99.4	100.5	100.9	102.1	103.3	105.5	105.4	107.1	106.7	106.1		145.0	
PNDR		104.2	107.5	108.8	108.9	110.0	111.5	111.6	112.7	113.5	116.4	116.7	118.0	116.7	114.9			

128

		30,	40,	50,	60,	70,	80,	90,	100,	120,	150,	160,			RHL			
	FREQ	(0.52)	(0.70)	(0.87)	(1.05)	(1.22)	(1.40)	(1.57)	(1.75)	(1.92)	(2.09)	(2.27)	(2.44)	(2.62)	(2.79)	(0,)	(0,)	(0,)
REV. ALPHA 12/73	50	66.3	67.1	67.9	69.4	70.2	69.8	70.1	70.8	70.6	75.3	75.0	97.0	80.9	89.0			126.4
NO EGA.	63	68.8	69.8	70.4	71.5	72.0	72.2	72.0	73.2	73.1	77.6	77.1	109.6	84.2	95.8			138.5
RDG. NO.	80	71.4	72.4	72.0	72.4	73.0	73.4	74.8	75.3	76.3	79.4	81.0	91.6	87.5	94.9			124.9
RADIAL 40, FT.	100	72.9	73.7	74.7	74.9	75.4	77.2	78.2	80.3	80.5	83.4	84.2	94.3	92.8	95.9			127.5
(12, M)	125	76.0	75.5	75.2	76.2	77.0	79.7	81.7	82.2	82.7	87.7	87.2	97.6	94.3	98.8			130.3
VEHICLE JENOTS:	160	81.4	79.4	79.2	79.9	80.2	83.2	84.9	84.9	86.7	90.2	88.9	100.2	95.1	98.1			132.0
CONFIG JE-054	200	80.5	81.0	79.0	80.8	80.8	83.8	84.5	85.5	86.8	90.0	91.3	99.6	97.2	99.3			132.5
LPC EVENDALE	250	83.0	83.0	82.5	82.5	83.5	84.3	84.5	85.5	90.8	90.8	93.5	100.0	98.9	98.6			133.3
DATE 04-22-75	315	83.8	82.8	83.0	83.3	84.3	85.5	84.3	88.3	87.8	90.8	93.5	99.6	100.2	100.8			133.8
RUN DBTF-MODEL 2:	400	80.4	79.0	85.8	82.4	84.2	84.5	85.1	87.6	88.8	92.1	90.8	101.0	100.5	96.6			133.8
TAPE X20280	500	81.1	82.1	83.6	82.8	84.2	86.1	87.2	88.0	89.7	90.9	93.5	102.1	97.8	96.1			133.9
BAR 29.9 HG	630	80.6	82.7	83.7	83.0	84.0	84.3	86.9	83.4	89.9	91.0	93.5	101.1	97.9	98.6			133.7
(01039, N/M2)	800	80.7	83.4	84.4	84.5	85.8	86.5	86.9	89.1	90.3	93.8	94.5	100.8	95.7	93.5			133.3
TAMB 59, DEG F	1000	82.6	82.6	84.0	84.7	85.3	86.9	87.7	88.8	90.4	93.6	94.7	99.4	94.1	89.4			132.6
(288, DEG K)	1250	82.0	83.7	84.9	84.5	85.7	87.2	88.2	89.2	89.9	92.9	94.8	99.2	92.4	88.4			132.4
TWET 53, DEG F	1600	81.6	85.0	85.4	85.2	86.8	88.7	88.5	89.5	90.3	92.5	93.8	98.2	90.6	87.0			131.9
(285, DEG K)	2000	83.3	85.3	85.5	87.9	88.7	88.9	89.0	90.1	91.0	93.4	94.2	98.3	91.1	87.5			132.5
HACT 8.9, GM/M3	2500	83.8	86.6	88.3	87.5	88.4	89.4	89.7	90.4	91.5	94.3	94.3	98.9	91.9	88.0			133.1
(.00891 KG/M3)	3150	84.3	87.9	89.3	89.5	89.3	90.8	90.8	91.9	92.3	95.6	95.7	100.1	93.8	89.9			134.4
FREQ. SHIFT	4000	83.9	86.2	89.2	89.6	90.1	91.6	92.1	93.9	94.3	97.4	97.0	101.3	95.6	91.8			135.8
JET	5000	85.0	88.8	89.6	89.9	91.0	93.1	93.5	95.3	96.3	98.8	98.2	103.6	97.0	93.6			137.5
DIAMETER RATIO	6300	86.3	90.1	90.8	91.4	92.4	94.5	94.2	95.9	97.6	100.2	99.6	104.4	99.1	95.8			138.9
DF/DH 1.00	8000	86.5	91.3	91.8	92.3	93.8	94.9	94.8	97.0	97.8	100.7	100.7	105.5	100.4	97.9			140.0
	10000	88.3	92.3	93.0	93.3	94.5	95.2	95.8	97.9	99.2	101.0	101.2	106.3	102.0	99.9			141.2
	12500	87.9	92.5	93.1	93.0	94.4	95.9	97.2	98.1	99.0	101.1	100.8	106.2	102.2	100.3			141.6
	16000	86.8	92.1	92.9	92.7	94.4	95.9	96.5	98.2	99.0	99.2	99.6	105.4	100.6	99.5			141.2
	20000	87.2	93.7	93.7	93.0	93.5	93.4	94.5	96.3	97.2	96.7	97.6	102.8	98.6	96.9			139.7
	25000	87.4	95.1	95.4	94.2	92.7	92.7	91.9	93.9	94.6	94.7	94.1	100.0	96.6	94.6			138.5
	31500	80.8	88.1	89.4	90.1	89.9	90.2	89.3	90.7	90.6	91.8	91.2	96.8	93.4	90.0			135.5
	40000	76.7	84.2	85.2	85.2	85.3	86.3	86.0	87.2	87.8	87.6	86.5	93.5	89.7	88.2			132.5
	50000	74.5	82.2	83.2	83.0	81.6	83.2	83.5	85.1	84.7	86.3	84.6	92.0	87.6	85.0			131.4
	63000	71.4	76.4	79.3	79.5	78.5	81.8	82.0	84.8	82.8	85.7	83.7	92.2	85.9	83.7			132.3
	80000	69.8	73.6	75.2	75.2	75.2	82.3	82.3	84.0	82.2	86.7	83.5	93.3	84.8	82.2			135.5

OVERALL MEASURED PND8 98.4 102.8 103.5 103.4 104.1 105.3 105.7 107.3 108.3 110.3 110.5 117.1 112.0 111.1 131.4

OVERALL CALCULATED PND8 109.1 112.1 113.1 113.3 114.2 115.8 116.1 117.7 118.9 121.5 121.6 127.4 122.0 119.9

129

228

ORIGINAL PAGE IS
OF POOR QUALITY

ANGLES FROM INLET IN DEGREES (AND RADIANS)

REV, ALPHA	FREQ.	30.	40.	50.	60.	70.	80.	90.	100.	110.	120.	130.	140.	150.	160.	PWL
ALPHA 12/73	50	67.8	53.6	70.1	70.9	70.0	78.1	70.1	71.0	71.6	82.6	74.8	77.5	80.8	91.2	119.7
NO EGA	63	70.1	55.6	71.4	71.5	71.3	71.4	72.5	72.9	73.9	84.6	77.3	80.6	84.5	98.3	125.4
RDG. NO. 0	80	71.9	58.1	73.0	72.9	73.0	72.9	74.1	74.6	76.3	95.1	81.2	84.9	87.5	97.1	126.0
RADIAL 40 FT.	100	73.9	59.4	75.9	75.2	74.4	75.7	78.2	79.6	81.0	86.9	84.4	89.3	93.8	99.9	128.6
(12. Y)	125	76.7	61.2	76.5	77.2	76.5	78.0	81.2	81.5	83.2	92.5	87.7	91.6	95.0	103.0	131.5
VEHICLE JENOTS	160	82.2	64.4	79.4	79.9	79.7	81.7	84.1	83.9	86.9	90.9	90.4	94.4	98.1	105.4	133.7
CCNFGE JE056	200	82.8	67.8	80.3	80.8	80.3	82.3	84.0	84.5	87.0	90.5	93.1	97.6	100.4	105.4	135.1
LOC EYENDALE	250	84.8	70.3	82.8	83.3	83.5	84.0	84.8	86.0	88.8	93.0	97.8	100.0	104.4	104.9	136.8
DATE 04-22-75	315	86.0	68.8	83.5	84.5	85.3	85.0	84.8	88.3	89.8	93.8	98.3	100.9	105.9	110.3	139.4
RUN CBT-MODEL 2	400	84.4	67.7	84.6	83.4	84.2	84.8	86.6	88.6	91.3	94.8	95.8	103.0	106.12	105.14	138.1
TAPE X20290	500	86.3	71.1	85.8	84.0	85.0	85.9	88.2	89.7	91.7	93.9	97.2	105.1	108.3	104.6	139.7
BAR 29.9 HG	630	87.8	71.7	86.5	84.7	85.7	85.3	88.1	89.1	91.7	93.7	98.0	104.3	107.2	106.6	139.2
(01039, N/42)	800	86.7	71.2	86.6	86.0	87.0	86.0	88.7	90.1	92.8	96.3	99.7	104.0	105.7	106.7	139.0
TAMB 59. DEG F	1000	87.3	70.1	87.0	86.4	86.0	87.2	88.9	90.3	92.4	95.8	98.7	100.9	101.3	101.2	136.0
(288, DEG K)	1250	85.0	69.7	85.9	85.5	86.0	86.7	89.2	90.2	91.4	95.6	99.1	101.7	101.9	101.2	135.5
TWET 53, DEG F	1600	84.0	70.5	86.1	86.2	87.1	87.5	89.3	90.12	92.1	95.10	98.11	98.9	96.16	94.2	134.0
(285, DEG K)	2000	85.1	69.8	85.5	87.4	87.5	87.1	89.0	89.3	91.5	93.9	96.7	96.7	93.8	92.0	132.6
WACT 8.91 GM/M3	2500	83.8	70.3	86.2	85.4	85.8	86.9	87.9	89.6	91.3	93.6	95.0	95.4	91.4	88.7	131.6
(.00891 KG/M3)	3150	83.0	69.9	86.0	87.2	87.0	86.8	88.2	89.1	90.5	94.1	94.9	93.8	90.3	90.1	131.4
FREQ. SHIFT	4000	81.8	69.6	85.6	86.0	86.6	87.2	88.3	89.6	91.2	93.8	94.0	93.2	90.2	87.7	131.2
JET 0	5000	82.4	71.4	86.8	86.5	87.7	88.3	89.2	90.7	92.5	95.2	95.1	94.8	92.2	88.8	132.5
DIAMETER RATIO	6300	83.6	73.0	87.9	88.0	89.3	90.3	90.8	91.5	93.2	96.8	96.0	95.6	93.7	90.7	133.9
CF/CM 1.00	8000	83.6	73.6	89.4	89.4	90.6	91.4	92.1	92.8	93.9	97.2	96.5	96.8	94.2	92.5	135.0
	10000	85.1	74.3	90.0	90.6	91.8	91.9	91.8	94.6	95.7	97.2	96.2	97.0	96.0	94.1	136.0
	12500	83.3	73.6	89.7	89.7	91.4	91.8	93.1	94.0	95.7	98.8	96.2	96.1	96.1	94.7	136.5
	16000	80.9	71.5	88.0	88.0	90.7	90.5	90.8	92.6	94.4	95.5	94.2	94.5	94.5	93.1	135.0
	20000	78.2	69.5	84.7	85.8	87.0	87.2	88.1	89.6	92.0	93.7	91.6	91.9	91.7	90.7	132.9
	25000	74.4	66.4	82.1	83.2	84.2	84.5	85.6	87.4	89.1	90.4	87.7	88.1	88.7	86.4	130.3
	31500	70.8	63.3	78.6	79.6	80.2	82.0	83.3	85.2	85.9	87.8	85.5	85.6	85.1	82.5	128.1
	40000	68.0	61.5	75.7	76.5	77.1	77.6	78.3	81.5	82.6	83.9	81.1	81.2	82.4	80.9	125.1
	50000	65.3	61.3	72.5	73.3	73.5	74.3	75.6	78.5	79.5	81.4	78.7	78.6	81.7	81.6	123.8
	63000	64.1	62.6	68.7	69.9	70.0	70.0	71.2	77.0	77.2	80.4	76.7	76.6	83.1	83.4	124.6
	80000	64.8	63.1	64.9	65.9	66.9	67.0	67.9	77.1	75.0	81.2	76.5	77.0	84.5	85.5	128.1
OVERALL MEASURED		98.0	84.6	100.1	100.2	101.2	101.6	102.7	104.2	106.0	108.9	110.1	113.4	115.3	116.5	149.7
OVERALL CALCULATED		109.1	95.9	111.3	111.7	112.1	112.8	113.8	115.0	116.9	120.8	121.1	122.6	123.4	124.0	



☆ 10 dB TOO LOW

REV, ALPHA 12/73	FREQ.	ANGLES FROM INLET IN DEGREES (AND RADIANS)																	PWL
		30.	40.	50.	60.	70.	80.	90.	100.	110.	120.	130.	140.	150.	160.	180.	180.	180.	
	50	72.1	59.8	75.9	77.4	77.7	76.6	76.4	75.5	76.4	83.6	79.0	82.0	85.3	91.0	94.6	95.6	121.7	
NO EGA	63	73.8	60.8	76.4	78.2	78.3	77.4	78.0	77.4	77.9	86.3	82.3	85.1	89.0	94.6	95.6	95.6	124.6	
RDG, NO. 0.	80	75.6	62.4	77.8	78.9	79.5	78.7	79.6	79.1	80.8	89.6	85.7	89.4	92.0	95.6	95.6	95.6	127.0	
RADIAL 40. FT.	100	78.2	64.2	80.4	80.2	80.2	80.7	82.7	83.3	84.7	91.4	88.7	93.3	97.8	99.7	99.7	99.7	130.9	
(12. Y)	125	81.2	66.0	81.2	82.0	81.5	83.5	85.4	85.7	87.7	94.0	92.0	95.9	99.8	102.3	102.3	102.3	133.3	
VEHICLE JENOTS	160	85.9	68.9	83.9	84.4	84.4	86.4	88.4	87.7	90.9	99.4	94.4	98.9	99.8	104.9	104.9	104.9	136.3	
CCNFJG JE+056	200	86.5	71.8	84.0	85.0	85.0	86.5	88.0	88.0	90.8	95.0	97.3	101.9	101.9	107.5	107.5	107.5	138.1	
L/C EVEN DALE	250	87.8	73.0	86.3	87.0	86.8	87.3	88.0	89.3	95.8	96.3	100.5	103.8	107.9	107.4	107.4	107.4	139.9	
DATE 04-22-75	315	88.8	72.0	86.5	88.0	88.8	88.0	89.5	91.5	92.8	96.3	101.3	103.9	109.4	111.8	111.8	111.8	141.9	
RUN LBTF-MODEL 2	400	87.2	70.7	86.6	86.4	87.7	87.2	89.6	91.6	93.8	98.1	98.8	105.8	108.7	107.1	107.1	107.1	140.6	
TAPE X20300	500	89.6	74.1	88.8	87.5	88.5	89.1	91.0	93.0	95.4	97.9	101.0	108.9	111.3	108.1	108.1	108.1	142.8	
EAR 29.9 HG	630	91.1	74.7	89.5	87.7	88.7	88.5	91.6	93.1	95.2	97.5	101.2	107.1	110.4	109.1	109.1	109.1	142.2	
(C1039, N/Y2)	800	93.2	74.9	89.1	89.3	90.0	89.3	91.7	94.6	96.3	98.0	102.7	106.8	107.7	108.5	108.5	108.5	141.5	
TAMB 59. DEG F	1000	89.6	73.1	89.3	88.9	89.5	90.4	92.2	93.8	96.4	98.1	101.7	106.8	107.7	108.5	108.5	108.5	138.7	
(288. DEG K)	1250	87.7	73.4	89.4	89.0	90.2	90.2	92.4	93.7	95.7	99.1	101.8	103.2	103.3	102.7	102.7	102.7	137.9	
THET 53. DEG F	1600	86.8	73.7	89.2	89.5	90.1	90.7	92.5	93.7	95.6	98.5	101.1	101.2	97.9	95.0	95.0	95.0	136.8	
(285. DEG K)	2000	88.1	73.3	88.3	90.7	91.0	91.6	92.0	93.1	95.5	97.8	99.9	100.2	96.6	92.8	92.8	92.8	136.1	
WACT 8.91 M/M3	2500	87.3	74.3	90.2	89.7	90.1	90.4	92.2	93.6	95.5	97.8	98.5	98.7	94.6	91.0	91.0	91.0	135.4	
(.00891 KG/M3)	3150	87.0	74.6	90.5	91.7	91.3	92.7	93.0	94.5	95.5	98.7	98.6	99.0	95.8	94.1	94.1	94.1	136.2	
FREQ. SWIFT	4000	85.6	74.4	90.2	90.8	91.6	92.0	93.8	94.9	96.7	98.8	98.7	98.7	96.5	93.7	93.7	93.7	136.4	
JET 0	5000	87.2	76.2	91.3	91.8	91.7	93.3	94.7	97.0	99.0	100.5	100.2	100.6	99.0	95.6	95.6	95.6	138.2	
DIAMETER RATIO	6300	87.7	77.3	92.7	93.0	93.8	94.6	95.6	97.3	99.5	101.6	100.8	101.6	100.8	98.3	98.3	98.3	139.4	
DF/DM -1.00	8000	88.2	78.5	94.0	93.9	95.2	96.3	96.2	97.9	99.7	102.6	102.6	102.1	103.2	102.1	99.8	99.8	140.6	
	10000	89.7	78.4	93.9	94.7	96.1	96.6	97.2	98.7	100.8	102.6	102.3	103.7	103.4	101.5	101.5	101.5	141.6	
	12500	89.2	79.3	94.9	95.1	96.0	96.7	97.5	99.4	101.1	102.2	102.1	103.5	104.0	102.1	102.1	102.1	142.1	
	16000	88.3	79.9	94.6	94.2	96.1	96.1	97.5	99.7	100.8	100.7	101.6	101.9	101.9	100.7	100.7	100.7	141.6	
131	20000	87.6	80.9	95.6	94.7	94.9	95.3	96.3	97.5	98.9	99.2	99.1	100.1	99.9	97.7	97.7	97.7	140.4	
	25000	86.6	81.0	97.0	95.9	94.9	93.9	93.8	95.6	96.1	96.9	96.1	97.5	98.1	95.8	95.8	95.8	139.3	
	31500	80.4	74.5	90.5	91.7	92.1	91.6	91.4	92.9	93.3	94.0	93.4	94.7	95.0	92.4	92.4	92.4	136.7	
	40000	78.1	73.3	87.6	87.4	87.7	87.0	87.7	89.1	90.2	90.3	89.5	91.1	92.1	90.1	90.1	90.1	133.8	
	50000	74.7	73.1	85.6	85.7	84.6	84.1	85.2	86.6	87.1	88.3	87.8	89.0	89.8	87.4	87.4	87.4	132.5	
	63000	71.1	73.0	81.9	82.6	81.2	81.5	81.7	83.8	84.5	85.9	86.4	87.1	88.4	86.4	86.4	86.4	132.1	
	80000	67.3	73.1	78.2	78.2	78.4	78.0	78.4	80.8	80.0	84.2	85.8	87.0	87.0	86.0	86.0	86.0	133.2	
OVERALL MEASURED																			
OVERALL CALCULATED																			
PNDB		102.0	90.5	105.6	105.6	106.2	106.6	107.6	109.3	111.1	113.3	114.2	117.1	118.8	118.5	118.5	118.5	153.8	
		132.9	100.0	115.4	116.0	116.4	117.1	118.3	120.1	122.1	124.6	125.1	126.8	127.2	126.3	126.3	126.3		



★ 10 dB TOO LOW

ORIGINAL PAGE IS OF POOR QUALITY

REV.	ALPHA	12/73	FREQ.	(0.52)	(0.70)	(0.87)	(1.05)	(1.22)	(1.40)	(1.57)	(1.75)	(1.92)	(2.09)	(2.27)	(2.44)	(2.62)	(2.79)	(3.0)	(3.0)	(3.0)	(3.0)	PWL
			50	73.1	59.8	74.1	74.4	75.0	73.8	74.9	75.5	76.9	78.8	81.8	85.0	88.8	97.2					125.1
			63	76.3	62.1	76.9	76.7	77.0	76.9	78.5	78.7	79.6	82.1	85.3	89.1	92.7	99.3					127.9
			80	79.1	65.1	79.5	78.9	79.0	79.7	81.6	81.8	83.8	85.6	89.5	92.9	96.3	100.4					130.2
			100	82.4	67.4	83.2	82.4	82.2	82.9	85.5	86.6	88.5	90.2	93.2	97.3	101.5	104.2					134.5
			125	85.7	69.5	84.5	84.7	84.2	86.0	88.9	88.7	91.5	93.5	96.0	100.6	103.5	106.5					137.0
			160	89.9	72.9	87.4	87.4	87.2	89.7	91.9	91.9	95.2	96.2	98.4	102.9	105.9	108.1					139.2
			200	90.0	74.3	87.0	88.8	88.3	90.5	91.3	91.8	94.1	97.5	101.6	106.6	109.0	111.0					142.0
			250	91.5	76.5	89.5	90.8	90.0	90.5	91.5	92.5	94.1	99.3	104.5	108.0	111.9	109.9					143.5
			315	92.5	75.8	90.5	91.5	92.3	92.0	91.3	92.3	96.8	100.3	105.0	108.1	113.4	113.5					145.1
			400	90.7	74.0	90.3	90.2	91.4	91.5	93.1	95.6	98.3	101.6	102.8	109.3	113.5	109.6					144.5
			500	94.3	78.3	93.1	91.5	92.7	93.6	96.2	97.5	99.9	101.7	105.2	112.4	114.6	111.6					146.4
			630	94.6	78.7	94.5	92.0	92.7	92.8	95.9	97.4	100.4	102.5	106.6	110.6	113.9	113.6					146.4
			800	94.0	78.7	93.9	94.3	94.8	94.5	96.4	99.1	101.0	104.8	107.5	109.8	111.2	112.2					145.3
			1000	94.6	77.6	94.0	94.1	93.8	94.9	97.2	98.6	100.6	104.6	106.4	108.3	107.7						143.2
			1250	92.2	77.9	94.1	94.6	94.2	95.2	97.4	98.7	101.2	104.6	107.1	108.5	105.2	104.4					142.6
			1600	91.5	78.7	93.2	93.7	95.3	95.7	98.0	99.2	101.6	104.2	106.1	104.9	102.6	101.5					141.8
			2000	92.8	78.3	93.8	95.4	96.2	96.3	97.3	99.1	101.5	104.1	105.4	104.7	102.3	100.8					141.6
			2500	91.8	78.3	95.0	93.9	94.6	95.9	97.4	99.1	102.3	103.8	103.7	104.2	101.1	98.5					141.1
			3150	92.0	79.1	94.7	95.7	95.8	96.6	97.7	99.6	102.3	104.7	104.4	103.8	101.8	99.8					141.1
			4000	91.1	79.1	94.4	95.3	96.1	96.8	98.1	100.1	103.2	104.1	104.7	104.2	102.2	99.2					141.1
			5000	91.2	80.0	95.3	95.8	96.7	97.5	99.5	101.5	104.8	105.7	105.9	106.3	104.7	101.6					143.5
			6300	92.4	81.5	96.7	97.0	98.1	98.9	99.8	101.8	105.0	106.4	106.3	107.4	105.3	101.8					144.3
			8000	91.9	82.2	97.5	97.7	99.0	99.5	100.7	102.4	104.9	106.1	106.9	107.7	106.1	103.1					144.9
			10000	93.4	82.1	97.4	98.2	99.4	99.8	100.2	102.5	105.3	106.6	106.3	107.4	105.4	102.5					145.2
			12500	93.2	85.0	100.1	98.8	99.8	99.7	101.0	102.1	103.8	105.7	105.6	106.5	104.7	101.4					145.0
			16000	93.1	85.6	101.4	99.5	99.4	99.4	99.8	101.5	102.8	103.4	104.1	104.4	102.9	99.2					144.2
			20000	90.1	82.7	100.1	100.2	99.4	97.9	98.8	99.8	101.2	101.7	101.6	101.8	100.1	96.7					143.0
			25000	87.1	79.5	96.3	97.1	97.4	96.9	96.8	97.6	98.6	99.4	98.1	99.5	97.3	94.0					141.0
			31500	83.7	77.0	92.8	92.7	92.8	94.6	94.4	95.1	95.3	96.7	96.1	96.5	94.8	90.7					138.7
			40000	80.6	74.6	90.6	90.4	89.9	89.2	90.2	90.9	93.0	93.0	92.5	92.1	88.8						136.0
			50000	77.2	73.1	86.9	87.4	86.8	86.9	87.2	87.8	90.1	91.0	90.0	90.7	86.2						134.4
			63000	75.3	73.0	84.4	83.9	83.2	83.2	83.7	85.3	88.0	90.6	88.2	88.9	85.6						134.2
			80000	74.0	73.6	80.2	79.9	79.7	79.5	80.4	82.3	86.5	90.7	86.8	88.0	86.0						135.9
			OVERALL MEASURED	106.1	94.1	109.6	109.5	110.0	110.3	111.5	113.1	115.6	117.5	118.8	120.9	122.6	121.6					157.6
			OVERALL CALCULATED	117.4	104.2	119.5	120.0	120.8	121.3	122.8	124.7	127.6	129.3	130.3	131.5	131.3	130.1					

132



☆ 10 dB Too Low

MODEL SOUND PRESSURE LEVELS (59 DEG F, 70 PERCENT REL HUM. DAY - JENOTS)
 ANGLES FROM INLET IN DEGREES (AND RADIAN)

REV, ALPHA 12/73	FREQ.	30.	40.	50.	60.	70.	80.	90.	100.	110.	120.	130.	140.	150.	160.	0.	0.	0.	PWL
		(0.52)	(0.70)	(0.87)	(1.05)	(1.22)	(1.40)	(1.57)	(1.75)	(1.92)	(2.09)	(2.27)	(2.44)	(2.62)	(2.79)	(0.)	(0.)	(0.)	
NO EGA	50	65.1	66.8	67.1	66.2	66.7	67.1	67.4	67.3	67.9	67.8	68.3	71.5	75.1	88.2				115.5
RDG. NO. 0	63	66.6	68.3	68.9	68.2	68.3	68.2	69.5	68.9	69.9	70.3	71.1	74.6	78.2	90.3				117.6
RADIAL (40 FT.)	80	67.6	68.9	69.8	68.6	69.5	70.2	71.1	71.3	72.3	72.9	74.5	78.1	81.3	90.1				118.3
VEHICLE (12 M)	100	69.2	69.2	71.4	71.4	71.4	72.4	74.7	75.3	76.2	76.7	78.2	82.5	87.3	90.9				120.9
CONFIG JENOTS	125	71.5	71.7	71.5	72.2	72.5	75.0	77.7	77.7	78.5	80.0	81.5	85.6	89.3	93.5				123.4
LOC EVENDALE	160	76.7	74.7	74.2	75.2	75.7	78.2	80.4	79.4	82.4	83.2	83.9	87.2	90.9	93.1				124.8
DATE 04-22-75	200	77.9	77.3	76.3	76.3	77.0	78.8	80.3	80.3	81.8	83.5	84.8	88.6	91.7	95.5				126.1
RUN DBTF-MODEL 2	250	79.3	78.5	78.8	79.0	79.3	80.0	80.0	81.0	82.0	85.5	87.0	88.8	92.7	95.4				127.1
TAPE X20320	315	79.3	78.3	78.5	79.5	81.0	82.0	80.3	84.3	87.0	85.3	87.3	89.1	93.2	97.5				127.9
BAR 29.9 HG	400	76.2	75.2	79.3	77.7	79.7	80.0	80.8	82.1	83.6	85.1	83.3	89.8	93.5	92.6				126.3
(01039 N/M2)	500	76.3	77.8	79.6	78.3	79.2	79.9	82.5	83.2	84.7	84.9	87.0	92.9	94.3	92.8				127.6
TAMB 59 DEG F	630	77.8	79.2	80.2	79.0	80.5	81.0	83.1	83.6	85.2	84.7	86.0	90.6	92.2	92.3				126.6
(288 DEG K)	800	78.5	79.7	80.4	81.0	81.3	82.9	82.7	84.4	85.3	87.5	89.2	91.0	91.0	92.0				127.2
THET 53 DEG F	1000	79.8	78.9	81.3	80.1	81.0	82.9	83.9	84.8	85.6	87.3	87.7	89.7	89.8	87.4				126.4
(285 DEG K)	1250	79.2	79.4	81.1	80.5	81.7	82.7	84.4	84.7	84.9	86.4	88.3	90.5	87.9	84.7				126.2
HACT 8.9 GM/M3	1600	79.3	81.5	82.2	82.0	83.6	84.0	84.0	84.5	84.9	86.8	88.1	88.5	86.4	82.5				125.9
(00891 KG/M3)	2000	80.6	80.9	81.6	83.7	84.0	84.1	84.1	84.9	85.0	85.9	87.5	88.5	85.4	82.8				125.9
FREQ SHIFT	2500	80.6	81.9	83.3	82.8	83.2	83.7	84.8	85.5	85.8	86.4	87.3	88.5	85.2	82.8				126.1
JET 0	3150	79.1	81.7	83.4	84.5	84.7	84.7	84.9	85.7	86.1	87.2	88.8	89.5	86.7	84.5				127.0
DIAMETER RATIO	4000	78.5	82.6	84.1	83.4	84.5	85.2	86.0	86.6	87.4	88.0	89.7	90.4	87.7	85.6				127.9
DF/DH 1.00	5000	79.7	84.7	84.5	84.3	85.2	86.7	87.7	88.4	89.2	90.2	91.6	92.0	89.7	88.0				129.6
	6300	80.7	85.0	87.0	87.1	87.9	88.7	89.6	90.4	90.8	91.7	92.6	93.4	91.8	90.8				131.5
	8000	81.8	86.4	87.9	87.8	89.4	89.9	90.1	91.0	91.8	93.0	93.7	93.6	92.7	93.0				132.7
	10000	81.9	86.6	88.2	88.2	89.9	90.8	90.7	91.7	92.8	93.1	94.3	94.2	93.4	93.7				133.6
	12500	80.8	86.1	88.0	87.9	90.1	90.1	90.9	92.0	92.9	94.3	93.2	93.4	92.6	92.7				133.8
	16000	79.5	85.5	86.7	86.6	89.2	88.8	90.1	91.1	91.6	92.3	91.9	91.2	91.5	91.1				132.9
	20000	76.7	83.8	84.2	85.0	86.3	86.5	87.3	88.6	89.7	91.0	89.4	89.2	88.5	88.5				131.1
	25000	74.5	80.5	82.5	83.3	84.1	84.6	85.5	87.0	88.3	88.3	87.0	86.7	86.0	85.2				129.5
	31500	72.1	78.2	80.2	80.7	81.5	82.8	82.8	85.0	85.4	85.6	84.5	84.1	83.4	82.3				127.6
	40000	70.0	75.2	78.0	78.3	78.8	78.6	79.8	81.7	82.1	82.4	80.4	80.5	80.5	79.7				125.1
	50000	67.1	73.3	75.3	75.9	75.5	76.8	76.8	78.5	78.8	79.7	76.9	77.9	77.8	77.4				123.3
	63000	63.7	69.9	71.8	72.3	72.4	73.1	73.3	75.4	75.6	76.5	73.6	76.5	76.5	77.0				122.3
	80000	59.8	66.9	67.5	68.2	69.5	69.3	70.1	72.6	71.2	74.2	70.3	77.1	76.8	77.8				123.3
OVERALL MEASURED																			
OVERALL CALCULATED		93.0	96.3	97.6	97.7	99.0	99.5	100.2	101.2	102.1	102.9	103.5	104.6	104.9	106.1				143.4
PND8		104.7	107.7	108.7	108.8	109.6	110.4	111.2	112.0	112.8	113.6	114.8	116.1	115.4	115.2				

ORIGINAL PAGE IS
OF POOR QUALITY

232

MODEL SOUND PRESSURE LEVELS (59, DEG. F, 70 PERCENT REL. HUM. DAY - JENOTS)

REV.	ALPHA 12/73	FREQ.	30	40	50	60	70	80	90	100	110	120	130	140	150	160	PWL
			(0.52)	(0.70)	(0.87)	(1.05)	(1.22)	(1.40)	(1.57)	(1.75)	(1.92)	(2.09)	(2.27)	(2.44)	(2.62)	(2.79)	(0.)
			ANGLES FROM INLET IN DEGREES (AND RADIANS)													(0.)	
	NO EGA	50	65.6	66.6	67.1	68.2	70.0	69.6	69.9	70.3	70.9	71.6	72.0	73.1	74.3	77.3	112.8
	RDG. NO.	63	67.3	68.8	69.2	70.0	71.5	71.4	72.0	72.4	73.1	73.8	74.8	77.4	81.0	83.8	115.8
	RADIAL 40 FT	80	69.4	70.4	71.0	70.9	71.8	71.9	73.1	73.3	74.6	75.1	77.2	80.9	83.8	87.9	118.5
	(12 M)	100	70.7	70.9	72.7	72.9	73.4	74.9	76.7	77.6	78.7	79.4	80.7	85.0	89.3	90.2	122.2
	VEHICLE JENOTS	125	73.5	73.5	73.5	74.5	74.5	77.0	79.7	79.7	80.7	83.0	84.5	88.1	91.5	94.3	125.2
	CONFIG. JE-056	160	78.2	76.4	76.4	77.4	78.2	80.4	82.1	82.2	84.7	85.4	86.4	89.9	93.4	95.1	127.1
	LOC EVENDALE	200	78.8	79.3	77.8	78.5	79.0	81.0	81.5	82.8	84.3	85.8	86.6	90.6	94.2	97.0	128.0
	DATE 04-22-75	250	80.5	80.8	80.3	80.3	80.8	81.8	82.3	83.0	88.3	86.8	88.5	89.8	94.7	97.4	128.8
	RUN DBTF-MODEL 2	315	81.3	80.3	80.3	81.3	82.5	83.5	82.5	86.0	85.8	87.0	89.0	90.9	95.2	99.5	129.8
	TAPE X20330	400	78.2	77.2	81.3	79.9	81.4	81.7	83.1	84.3	86.1	87.3	85.5	92.3	96.2	94.9	128.7
	BAR 29.9 HG	500	78.6	79.6	81.6	80.3	81.5	83.4	84.5	85.2	86.9	87.7	89.2	95.1	96.1	94.8	129.7
	(01039, N7M2)	630	79.6	81.2	82.5	81.2	82.7	83.3	85.6	86.1	87.4	87.0	89.0	93.3	94.4	93.6	128.9
	TAMP 59 DEG F	800	80.5	81.9	82.6	82.8	83.5	83.5	84.7	86.6	87.5	90.3	91.7	93.5	92.7	93.7	129.4
	(288, DEG K)	1000	82.1	81.6	83.3	82.9	83.3	85.2	86.4	86.3	87.6	90.1	90.7	92.2	92.1	89.4	128.8
	TWET 53 DEG F	1250	81.3	81.9	83.4	83.1	84.5	84.9	86.2	86.9	87.2	88.9	90.9	93.2	90.4	87.5	128.7
	(285, DEG K)	1600	80.8	83.2	84.2	84.5	85.3	86.0	86.3	87.0	87.4	88.5	90.4	91.2	89.1	85.2	128.3
	HACT 8.9 GM/M3	2000	82.6	82.9	84.1	86.4	86.3	87.1	87.1	87.1	87.5	89.2	90.7	91.5	88.1	85.8	128.7
	(.0089, KG/M3)	2500	82.1	84.4	86.1	86.0	86.7	87.2	87.5	88.2	88.3	89.4	90.6	91.5	88.7	86.0	129.1
	FREQ. SHIFT	3150	81.4	84.7	85.9	87.3	87.2	87.7	87.6	89.0	89.1	90.7	92.0	92.7	90.4	88.0	130.2
	JET 0	4000	82.0	85.6	86.1	87.2	87.8	88.4	89.2	89.8	90.4	91.5	93.2	93.7	91.2	89.4	131.2
	DIAMETER RATIO	5000	82.9	87.4	87.5	88.3	89.0	90.0	90.7	91.7	92.2	93.7	94.9	95.3	93.9	92.0	133.0
	DF/DM 1.00	6300	84.2	88.8	89.7	89.8	90.6	91.9	92.1	92.9	93.0	94.7	96.1	96.9	95.8	95.3	134.7
		8000	84.8	89.1	89.9	90.9	92.4	92.9	92.8	94.0	93.9	95.8	96.8	98.1	96.7	97.7	135.9
		10000	85.2	90.2	91.2	91.0	93.0	93.4	93.2	95.0	95.4	96.9	96.9	98.5	97.9	99.0	137.0
		12500	85.1	90.7	92.0	92.2	93.1	93.1	94.4	95.3	96.0	96.8	97.0	98.4	98.1	98.8	137.6
		16000	86.3	94.3	94.6	93.7	94.1	93.1	94.0	94.7	95.2	95.9	95.8	97.3	98.1	99.2	137.9
		20000	86.8	95.4	95.3	94.9	94.7	93.1	92.5	92.8	94.4	94.1	94.0	95.5	96.3	98.6	137.7
		25000	85.0	94.0	95.0	94.6	94.3	93.3	92.0	91.8	92.0	92.3	91.0	92.9	93.8	94.5	136.8
		31500	79.8	88.9	90.2	91.1	91.2	92.8	91.1	90.5	89.7	90.1	89.0	90.1	91.2	91.3	134.9
		40000	77.8	86.7	87.7	88.0	88.1	88.9	88.6	89.0	87.8	87.1	85.6	86.7	87.9	88.9	132.8
		50000	74.6	83.8	85.0	85.8	85.0	85.3	85.6	86.5	85.3	85.4	83.2	84.1	85.7	86.3	131.2
		63000	71.4	79.6	82.0	82.5	81.6	81.8	82.0	83.6	83.8	83.5	81.0	81.5	83.4	83.7	130.3
		80000	67.2	74.6	77.1	76.9	76.9	77.5	77.3	81.2	79.9	82.4	79.2	79.9	81.2	81.4	130.1
OVERALL MEASURED:																	
OVERALL CALCULATED			96.7	102.3	103.0	103.0	103.5	103.6	103.8	104.6	106.1	106.1	106.7	108.4	108.7	109.5	147.6
PNDB			107.2	110.3	111.2	111.6	112.4	113.4	113.8	114.6	119.2	116.6	117.9	119.3	118.7	118.4	

N
W
W

MODEL SOUND PRESSURE LEVELS (59 DEG F, 70 PERCENT REL HUM, DAY - JENOTS)

REV, ALPHA 12/73	FREQ	ANGLES FROM INLET IN DEGREES (AND RADIANS)																		PWL
		30	40	50	60	70	80	90	100	110	120	130	140	150	160	0	0	0		
NO EGA	50	67.6	67.3	67.6	67.9	68.5	69.3	70.1	71.3	72.1	72.3	75.0	77.8	81.6	84.2	(0.0)	(0.0)	(0.0)	115.6	
RDG NO	80	69.8	71.3	71.4	71.7	72.3	72.7	73.5	73.4	74.6	75.6	77.6	81.1	85.0	90.3				119.9	
RADIALI 40, FT.	100	72.4	72.6	72.8	72.1	72.8	73.9	75.6	76.1	77.1	77.9	81.0	84.9	87.8	91.9				122.1	
(12. M)	125	73.7	73.9	75.9	75.7	75.9	77.4	79.7	80.1	82.0	82.4	84.4	89.3	93.3	94.9				126.2	
VEHICLE JENOTS	160	77.2	76.7	76.7	77.5	77.5	80.2	82.9	82.7	84.2	86.0	87.7	92.1	95.8	98.0				129.0	
CONFIG JE-056	200	81.9	80.4	79.7	80.4	81.2	84.2	86.1	85.7	88.2	88.7	90.2	93.7	96.9	98.9				130.7	
LOC EVENDALE	250	82.3	82.8	81.0	82.5	82.3	84.5	85.5	86.3	87.8	90.0	91.1	95.9	98.7	101.3				132.4	
DATE 04-22-75	315	83.8	83.8	83.0	84.0	84.0	85.5	85.5	86.5	87.8	90.0	91.1	95.9	99.9	100.6				132.9	
RUN DBTF-MODEL 2	400	84.5	83.8	83.5	84.3	86.0	86.7	85.5	88.5	88.8	90.0	93.5	95.6	100.2	102.8				133.7	
TAPE X20340	500	81.7	80.5	84.3	83.4	85.4	85.5	86.6	88.5	90.1	91.8	90.5	97.5	100.5	97.9				132.9	
BAR 29.9 HG	630	82.6	84.1	85.8	84.5	86.0	87.1	89.0	89.5	90.9	91.9	94.5	100.1	100.8	97.3				134.2	
(01039, N/M2)	800	83.3	83.5	86.9	85.0	86.5	86.3	88.9	89.9	91.7	91.5	94.5	98.3	99.4	96.1				133.3	
TAMB 59, DEG F	1000	83.7	83.9	86.6	86.8	88.3	88.3	89.2	91.4	92.3	95.0	97.0	98.3	98.0	97.0				134.2	
(288, DEG K)	1250	85.8	85.4	87.0	86.9	87.5	88.9	89.4	90.8	92.4	95.3	96.5	96.9	96.1	92.9				133.5	
TWBT 53, DEG F	1600	85.3	85.9	86.9	87.1	88.2	89.4	90.7	91.2	92.4	95.1	97.1	98.2	94.4	91.0				133.7	
(285, DEG K)	2000	84.8	87.0	87.9	87.8	89.3	90.3	91.0	91.5	92.9	95.0	96.4	96.5	93.6	90.0				133.4	
HACT 8.91 GM/M3	2500	86.4	86.6	87.6	89.4	90.9	90.6	91.3	91.9	92.8	95.2	96.5	96.8	94.4	90.3				133.7	
(10089, KG/M3)	3150	86.1	87.9	89.3	89.4	89.7	90.7	91.5	93.0	94.1	96.1	95.8	97.2	94.2	90.5				134.1	
FREQ SHIFT	4000	85.9	86.2	89.6	90.5	91.7	91.7	92.9	93.7	94.9	97.7	97.5	98.0	95.7	92.5				135.4	
JET 0	5000	85.8	89.3	89.6	90.4	91.0	92.7	93.7	94.8	96.4	98.8	98.4	98.7	96.4	93.9				136.4	
DIAMETER RATIO	6300	87.4	91.4	91.3	91.3	92.0	93.3	94.5	96.4	97.5	99.9	99.4	100.8	98.7	96.5				137.8	
DF/DM 1.00	8000	88.2	92.6	93.0	93.3	93.9	94.9	95.1	96.6	98.3	100.9	100.6	101.4	100.8	98.6				139.1	
	10000	88.8	92.9	93.4	94.1	95.6	96.4	96.3	97.8	99.4	101.5	101.3	103.1	102.0	101.2				140.4	
135	12500	90.2	93.9	93.9	94.5	96.0	96.1	96.7	99.0	99.4	101.7	102.4	103.7	103.2	102.8				141.4	
	16000	90.6	93.9	96.0	95.5	96.4	96.6	97.2	99.0	99.7	101.6	101.7	103.4	103.9	102.8				141.9	
	20000	92.8	98.3	97.8	96.4	97.1	96.6	97.5	98.7	99.5	99.9	100.8	102.8	102.3	101.4				141.9	
	25000	92.3	98.9	99.6	98.6	98.7	96.6	96.0	97.3	98.4	98.1	98.8	100.5	100.1	99.4				141.6	
	31500	89.0	95.2	97.2	98.3	98.8	97.1	95.7	96.0	96.0	96.8	96.3	98.4	98.5	96.7				140.7	
	40000	85.3	91.4	92.4	92.9	93.7	95.3	94.6	94.3	93.2	94.1	94.0	95.6	95.4	93.8				138.2	
	50000	83.3	90.2	90.7	91.0	91.1	90.6	90.8	91.0	90.8	90.9	90.3	91.7	92.9	91.2				133.9	
	63000	79.8	86.8	88.0	88.3	88.2	87.8	87.8	88.8	87.8	88.2	87.4	89.1	90.2	88.6				134.2	
	80000	76.2	83.6	85.0	85.5	85.1	84.8	84.5	85.9	85.8	86.2	84.5	86.7	87.9	86.0				133.4	
		71.5	84.3	81.9	81.9	81.4	82.0	81.3	83.0	82.1	84.9	81.4	83.9	85.4	82.9				133.5	
OVERALL MEASURED																				
OVERALL CALCULATED		101.4	103.9	106.4	106.3	107.0	107.0	107.3	108.6	109.5	111.3	111.7	113.5	113.5	112.8				151.8	
PND8		131.2	114.0	114.6	115.0	115.8	116.7	117.6	119.0	120.2	122.4	122.7	124.3	123.7	122.0					

ORIGINAL PAGE IS OF POOR QUALITY

ANGLES FROM INLET IN DEGREES (AND RADIANS)

REV. ALPHA 12/73	FREQ.	30° (0.52)	40° (0.70)	50° (0.87)	60° (1.05)	70° (1.22)	80° (1.40)	90° (1.57)	100° (1.75)	110° (1.92)	120° (2.09)	130° (2.27)	140° (2.44)	150° (2.62)	160° (2.79)	180° (3.14)	PWL
NO EGA	50	66.3	53.3	68.9	67.9	68.0	67.1	68.1	69.0	70.1	71.6	73.5	76.3	79.6	91.0		118.3
RDG. NO.	63	68.6	57.8	70.2	69.2	69.3	69.4	71.3	72.4	73.1	74.1	76.6	79.1	82.7	97.6		124.2
RADIAL 40 FT.	80	70.6	56.9	72.5	71.4	71.0	70.7	73.1	74.1	75.1	76.6	79.7	83.4	86.3	98.1		125.2
(12. M)	100	72.7	57.9	74.7	73.4	73.2	73.9	76.5	78.8	79.7	80.9	83.2	87.5	91.8	100.4		128.1
VEHICLE JENOTS	125	75.7	59.7	75.0	75.5	75.0	77.0	80.2	80.7	82.0	85.0	86.2	90.6	93.5	102.5		130.3
CCNFIG JE#056	160	80.7	62.9	78.4	78.4	78.4	80.7	83.1	83.2	85.9	87.4	88.7	91.9	95.4	104.9		132.5
LCC EVEN DALE	200	80.5	66.0	78.5	79.5	79.3	81.0	82.5	83.5	85.3	87.8	90.1	93.6	97.5	103.8		132.4
DATE 04-22-75	250	82.5	67.5	81.3	81.5	81.8	82.0	82.8	84.8	90.3	89.5	92.3	95.3	99.7	101.4		132.6
RUN CBTF-MODEL 2	315	82.8	66.3	81.0	81.8	82.8	83.7	82.8	87.0	87.0	90.0	92.3	94.4	96.7	107.5		135.4
TAPE X20350	400	79.9	63.0	80.6	80.7	81.7	82.0	83.6	85.8	87.8	90.3	89.3	96.3	99.7	100.6		132.3
BAR 29.9 HG	500	80.8	65.8	82.6	81.0	82.2	83.1	85.2	87.0	88.2	89.7	92.2	98.4	99.8	99.1		132.8
(01039, N/42)	630	81.1	67.2	83.2	81.5	83.0	82.0	84.9	86.4	88.7	89.7	92.0	96.6	98.2	102.8		132.9
TAMB 59 DEG F	800	81.2	66.7	83.1	83.3	84.0	83.8	84.9	88.4	89.0	91.8	94.2	96.3	96.0	96.2		131.5
(288, DEG K)	1000	82.6	66.6	83.8	83.6	83.8	84.7	85.9	87.6	88.9	91.6	92.5	93.9	93.1	90.2		129.9
THET 53 DEG F	1250	82.0	67.9	84.6	83.3	84.2	84.9	85.9	87.9	88.4	91.6	93.1	94.5	93.1	88.2		129.7
(285, DEG K)	1600	81.0	68.7	84.9	84.7	85.8	85.7	86.8	87.7	88.3	90.5	92.6	92.9	89.6	85.7		129.3
HACT 8.91 GM/M3	2000	83.1	68.6	84.8	86.7	86.7	86.6	86.5	87.8	88.5	90.4	92.2	92.7	89.6	86.8		129.5
(.00891 KG/M3)	2500	83.3	70.0	87.7	86.2	86.3	86.7	86.9	88.9	89.5	91.1	92.2	92.2	89.4	86.0		129.8
FREQ. SHIFT	3150	83.0	71.4	87.7	88.2	88.1	88.7	88.7	89.1	89.8	92.8	93.4	93.6	91.3	91.1		131.3
JET 0	4000	82.4	70.6	87.2	87.8	87.8	89.0	89.1	91.4	91.7	94.1	94.2	94.2	92.5	90.0		132.2
DIAMETER RATIO	5000	83.2	71.5	88.6	88.1	88.7	89.8	90.7	92.5	93.5	95.7	96.4	96.8	95.0	91.3		134.0
DF/CM 1.00	6300	84.4	74.5	90.2	89.8	90.3	91.6	91.1	93.6	94.0	96.9	97.6	98.6	96.5	93.8		135.4
	8000	85.2	74.7	91.2	90.7	92.0	93.0	92.4	94.9	95.2	97.8	98.6	99.2	98.3	96.3		136.8
	10000	86.4	75.9	91.1	91.7	92.6	93.1	93.2	96.0	96.6	98.3	98.8	99.9	99.4	97.2		137.8
	12500	86.2	76.3	92.6	91.8	93.0	93.2	94.5	96.6	96.6	98.4	98.6	99.5	99.2	98.4		138.4
	16000	86.3	77.9	93.4	91.9	93.1	92.9	94.0	96.0	96.5	97.2	97.3	99.1	98.9	97.7		138.3
	20000	87.1	79.7	95.1	93.7	93.7	91.6	92.3	93.5	95.2	96.3	95.1	96.8	97.6	98.2		137.7
	25000	84.6	78.0	93.8	93.1	92.4	91.2	90.0	91.6	91.8	92.6	91.8	93.2	94.1	93.5		135.7
	31500	79.4	72.7	88.8	89.5	89.6	89.1	88.2	89.6	88.5	89.5	88.6	90.0	91.0	88.9		133.1
	40000	75.9	70.1	85.6	84.9	85.9	85.2	85.2	86.1	85.7	86.0	84.2	85.9	87.6	86.6		130.3
	50000	73.2	67.6	82.6	82.4	81.8	81.4	82.4	83.3	82.6	83.3	81.5	83.2	85.3	83.7		128.4
	63000	69.6	65.4	78.9	78.9	78.2	78.2	78.7	80.8	80.0	81.9	78.9	80.4	82.1	81.1		127.4
	80000	66.3	63.9	73.7	73.9	72.7	73.0	76.4	79.3	77.2	80.5	77.5	78.3	79.5	78.5		127.8
OVERALL MEASURED		97.4	87.1	102.9	102.4	102.8	102.9	103.3	105.3	106.0	107.8	108.4	110.2	110.8	114.0		148.5
OVERALL CALCULATED		108.1	95.9	112.0	111.9	112.3	113.2	113.6	115.5	116.4	118.8	119.7	121.1	120.3	121.9		



★ 10 dB TOO LOW

136

235

REV, ALPHA 12/73	FREQ.	ANGLES FROM INLET IN DEGREES (AND RADIANS)																		PWL
		30.	40.	50.	60.	70.	80.	90.	100.	110.	120.	130.	140.	150.	160.	170.	180.	190.	200.	
NO EGA	50	86.3	59.8	69.4	69.4	70.2	69.1	69.6	70.5	70.6	71.1	73.0	76.0	79.8	84.5					114.9
RCG, NO. 0.	63	89.1	64.3	71.4	71.2	71.8	72.2	72.5	72.9	73.4	74.6	76.8	79.9	83.5	89.3					118.8
RADIAL 40. FT.	80	71.1	60.6	72.8	72.4	72.5	72.4	74.1	75.1	75.6	77.4	80.2	83.9	87.0	91.1					121.3
(12. 4)	100	73.4	60.9	75.4	74.9	74.4	75.4	77.7	80.1	80.7	82.2	83.9	87.8	92.5	95.2					125.6
VEHICLE JENOTS	125	76.2	61.7	76.0	76.5	76.0	78.0	80.7	82.0	83.2	85.2	87.7	90.9	94.5	97.8					128.2
CCNFIG JENOTS	160	81.4	65.2	79.2	79.2	79.4	81.7	84.7	83.9	87.2	87.9	89.4	92.9	95.9	100.6					130.6
CCNFIG JENOTS	200	81.3	67.8	79.5	79.8	80.8	82.0	83.3	84.5	86.3	88.8	90.8	94.9	98.2	102.3					132.2
LCC EVEN DASH	250	83.8	68.8	82.0	82.5	82.3	83.0	83.8	85.3	86.3	88.3	91.3	93.3	96.0	100.7					133.2
DATE 04-22-75	315	83.8	68.8	81.8	82.8	84.0	84.5	83.5	87.8	88.3	90.5	93.5	95.4	100.9	107.0					135.6
RLN CBTF-MODEL 2	400	81.2	65.0	82.1	81.7	82.9	83.0	84.6	87.3	88.6	91.3	90.3	96.5	101.0	100.4					133.0
TYPE X20360	500	82.1	67.8	84.1	82.0	83.0	84.1	86.2	88.0	89.9	90.9	93.5	99.4	100.8	97.8					133.5
BAR 29.9 HG	630	82.8	69.2	84.5	83.0	84.0	84.0	86.1	87.6	89.4	90.2	93.2	97.3	98.9	98.3					132.5
(01039. N/M2)	800	82.5	69.4	84.4	85.0	85.3	85.0	86.7	89.4	90.3	93.0	95.5	97.5	97.0	96.7					132.7
TAMB 59. DEG F	1000	83.6	68.6	85.8	84.9	84.8	85.7	87.2	88.8	90.1	92.6	94.2	95.4	94.6	91.7					131.13
(288. DEG K)	1250	83.5	69.4	85.6	85.0	85.5	86.2	87.2	88.2	89.4	91.9	94.6	96.2	93.2	89.9					131.2
TKEY 53. DEG F	1600	82.8	70.2	86.2	85.5	87.1	87.0	88.0	89.2	89.8	92.0	94.3	94.5	91.1	87.5					130.8
(285. DEG K)	2000	84.3	69.8	85.8	86.9	87.7	87.6	87.5	89.1	89.7	91.1	93.7	94.0	91.4	87.8					130.6
HACT 8.91 GM/M3	2500	84.1	71.1	88.5	86.7	87.1	87.4	88.2	89.7	90.6	92.1	93.3	94.5	90.7	88.0					131.0
(100891 KG/M3)	3150	84.3	72.2	89.0	88.7	88.9	88.9	89.3	91.1	91.1	92.9	94.2	95.1	92.6	90.9					132.2
FREQ. SHIFT	4000	83.4	72.0	88.2	88.3	89.2	89.3	90.4	91.7	92.6	94.4	95.3	95.6	93.8	91.0					133.1
JET 0	5000	84.0	72.8	88.9	88.8	89.3	90.6	91.8	93.6	94.9	96.5	97.5	97.9	96.0	93.4					135.0
DIAMETER RATIO	6300	85.6	74.9	90.6	90.2	91.2	92.0	92.2	93.9	94.9	97.0	98.7	99.5	98.1	96.1					136.3
DF/CM 1.00	8000	86.1	75.6	91.4	91.1	92.4	92.9	92.6	95.0	95.6	97.8	99.5	100.3	99.5	98.2					137.5
	10000	87.9	77.9	92.9	92.2	93.4	93.8	93.9	96.0	97.3	98.6	99.3	101.2	100.1	99.7					138.6
	12500	88.3	80.3	94.9	94.1	94.8	94.3	94.8	96.2	97.1	99.0	98.6	101.1	100.8	100.2					139.3
	16000	90.9	84.2	99.2	97.0	97.7	95.0	94.8	95.8	97.1	97.5	97.4	99.7	100.5	100.3					140.0
	20000	90.0	83.3	98.5	97.8	97.8	95.7	93.9	94.1	95.3	95.8	95.7	97.2	98.2	99.5					139.4
	25000	85.7	79.4	95.1	95.8	96.3	95.5	93.4	92.9	93.2	93.5	94.9	93.6	94.7	94.9					137.7
	31500	81.3	74.8	90.1	90.3	90.6	92.7	91.8	92.2	90.1	90.6	89.0	90.6	91.6	91.5					134.9
	40000	78.2	73.4	88.4	88.2	88.0	87.5	87.7	88.9	87.2	87.0	85.7	86.6	87.9	89.1					132.4
	50000	74.3	72.2	84.7	84.8	84.9	84.5	83.7	85.2	84.4	84.3	82.6	83.8	85.1	86.8					130.2
	63000	71.1	72.6	81.5	81.5	80.8	80.5	80.3	82.6	81.8	81.8	80.0	80.7	82.9	83.4					129.2
	80000	67.1	72.9	77.7	78.0	76.2	77.8	77.6	79.8	77.8	81.3	78.1	79.1	80.3	85.8					130.0
OVERALL MEASURED		99.2	90.3	105.4	104.7	103.2	104.6	104.5	105.9	106.8	108.2	109.3	111.2	111.9	112.9					149.5
OVERALL CALCULATED		97.0	97.0	112.9	112.6	113.2	113.8	114.6	116.4	117.6	119.3	120.8	122.2	121.7	121.0					



★ 10 dB TOO LOW

ORIGINAL PAGE IS
OF POOR QUALITY

REV. ALPHA 12/73	FREQ.	ANGLES FROM INLET IN DEGREES (AND RADIANS)																PWL		
		30. (0.52)	40. (0.70)	50. (0.87)	60. (1.05)	70. (1.22)	80. (1.40)	90. (1.57)	100. (1.75)	110. (1.92)	120. (2.09)	130. (2.27)	140. (2.44)	150. (2.62)	160. (2.79)	180. (3.14)	180. (3.14)		180. (3.14)	180. (3.14)
NO EGA	50	70.3	59.8	71.1	71.2	71.0	69.8	70.1	71.5	71.6	73.3	75.8	78.5	82.1	85.7					116.6
REG. NO. 0.	63	72.3	64.6	72.9	73.0	72.0	72.2	73.0	74.7	73.9	76.3	78.6	82.1	85.5	91.3					120.6
RADIAL 40 FT.	80	74.1	61.1	74.8	74.1	74.0	73.7	76.3	77.1	78.1	80.6	83.0	86.9	89.3	93.1					123.6
(12. M)	100	75.9	62.2	76.9	76.4	75.4	76.4	79.2	81.3	82.0	83.4	85.9	90.0	94.3	96.7					127.3
VEHICLE JENOTS	125	78.2	63.2	77.7	77.5	77.7	79.2	82.2	85.0	84.5	86.7	88.7	93.1	96.0	99.0					129.7
CCNFIG JENOTS	160	82.9	66.2	80.7	80.2	80.9	83.4	85.4	87.7	87.9	89.4	90.7	94.4	97.6	102.1					132.1
CCNFIG JENOTS	200	83.3	68.5	81.3	81.8	82.3	83.8	84.5	88.0	87.3	90.3	92.8	97.1	99.7	104.5					134.1
LCC EYE DALE	250	85.3	69.8	83.8	84.3	84.0	84.3	84.5	86.8	86.8	91.8	95.3	97.8	101.7	101.1					134.3
DATE 04-22-75	315	85.3	69.8	83.8	84.5	85.5	86.0	84.8	89.3	89.8	92.5	95.3	97.6	102.4	106.8					136.3
RLN DBTF-MODEL 2	400	82.4	66.0	82.8	83.2	85.2	84.7	86.3	88.8	90.3	93.1	92.3	98.3	102.5	100.4					134.3
TAPE X20370	500	83.6	69.1	85.1	84.3	85.2	85.9	88.2	89.5	90.9	92.4	95.2	100.6	101.8	99.1					134.8
BAR 29.9 HG	630	83.6	70.2	86.2	84.7	85.5	85.5	88.1	89.9	91.7	92.7	96.0	99.1	100.4	98.6					134.2
(01039, N/M2)	800	83.5	70.4	86.4	86.5	87.5	87.3	88.7	90.9	92.3	95.5	97.2	99.3	98.2	96.7					134.3
TAMB 69, DEG F	1000	85.1	69.9	87.0	87.1	86.8	87.9	89.2	91.1	92.4	95.8	97.0	96.7	95.8	92.2					133.4
(288, DEG K)	1250	84.2	70.7	87.1	86.5	87.5	88.2	89.4	91.2	92.2	95.4	96.8	97.2	93.7	89.9					133.2
TWET 53, DEG F	1600	83.8	72.0	87.7	87.5	89.1	89.0	90.0	91.2	92.8	95.2	96.3	95.4	91.9	88.2					132.9
(285, DEG K)	2000	86.1	71.8	88.3	89.7	90.2	89.6	90.5	91.6	93.0	95.4	95.9	95.7	92.6	88.8					133.2
HACT 8.91 GM/M3	2500	85.8	73.3	91.2	89.7	89.6	90.4	90.7	91.6	92.6	94.5	96.6	95.9	93.1	88.5					134.0
(.00891 KG/M3)	3150	86.0	74.1	91.0	90.7	91.1	91.8	91.7	93.6	94.8	97.6	97.1	97.6	94.8	92.1					135.1
FREQ. SHIFT	4000	85.1	73.9	90.2	90.0	91.6	91.5	93.1	95.1	97.0	99.1	98.0	98.2	96.0	92.5					136.2
JET 0	5000	86.0	75.2	91.3	91.3	92.2	93.3	94.4	97.0	98.8	100.5	99.9	100.3	98.0	94.8					138.0
DIA METER RATIO	6300	87.9	78.0	93.7	92.8	94.1	94.6	95.1	97.6	99.7	101.4	101.1	101.6	100.0	96.8					139.3
DF/DM 1.00	8000	88.2	79.0	94.2	94.4	96.0	96.0	95.7	98.1	100.2	102.3	101.6	102.9	101.3	98.8					140.5
	10000	89.7	78.1	94.1	94.4	96.1	96.6	96.9	99.2	101.1	102.6	102.8	104.2	102.9	100.7					141.7
	12500	88.7	78.6	94.9	94.8	96.3	97.0	98.3	100.4	101.1	101.9	102.6	103.3	103.2	100.9					142.1
	16000	87.3	77.1	93.9	93.9	95.9	96.6	97.8	100.5	100.5	100.9	101.6	102.4	101.9	99.2					141.7
	20000	86.3	77.7	93.1	92.9	94.4	95.1	96.5	98.0	99.2	98.7	99.1	99.8	98.9	96.7					140.1
	25000	85.8	79.8	95.3	93.4	93.1	93.2	93.8	96.3	96.6	96.6	96.1	96.7	96.8	94.0					138.6
	31500	80.4	75.2	90.5	90.2	89.3	90.4	90.7	92.9	93.3	93.7	93.4	94.5	93.8	90.4					136.0
	40000	76.1	71.8	86.1	86.1	86.2	86.0	86.4	89.1	89.5	90.0	89.0	89.6	90.6	87.8					132.8
	50000	72.7	71.6	83.9	82.2	82.8	82.4	83.4	85.8	86.1	86.8	86.0	87.2	87.8	85.9					130.9
	63000	69.6	72.4	80.4	79.9	79.2	79.2	80.2	83.3	83.7	84.6	82.9	83.9	85.8	85.6					130.2
	80000	67.0	73.4	75.9	76.2	76.7	76.8	77.1	80.1	79.5	83.7	80.0	81.8	82.5	85.2					130.7
OVERALL MEASURED		99.7	89.1	104.8	104.5	105.6	106.0	106.9	109.1	110.4	111.8	112.1	113.4	113.6	113.4					151.5
OVERALL CALCULATED		99.3	89.3	115.2	114.8	115.8	116.3	117.2	119.4	121.0	123.0	123.2	124.3	123.4	121.5					



☆ 10 dB TOO LOW

2371

REV. ALPHA 12/73	FREQ.	ANGLES FROM INLET IN DEGREES (AND RADIANS)																PHL	
		30.	40.	50.	60.	70.	80.	90.	100.	110.	120.	130.	140.	150.	160.	0.	0.		0.
NO EGA	50	68.8	59.8	73.4	72.9	71.0	71.4	71.9	71.5	72.1	73.8	75.0	77.8	81.6	87.7				117.3
REG. NO. 0.	63	70.8	60.6	73.7	73.5	72.3	72.9	73.5	73.9	74.9	76.3	78.3	81.4	85.2	92.3				121.0
RADIAL 40. FT.	81	72.9	60.6	75.0	75.1	74.0	74.2	75.1	75.6	77.1	79.1	82.2	85.9	88.8	93.6				123.3
(12.4)	109	74.2	61.4	76.9	76.2	75.2	76.7	79.7	80.1	81.7	83.7	85.4	89.5	93.8	98.2				127.7
VEHICLE JENOTS	125	77.2	62.7	77.7	78.0	77.2	79.2	82.2	82.2	84.9	87.2	88.7	92.6	95.8	100.8				130.2
CCNFIG JENOTS	160	82.7	66.2	80.2	81.7	80.7	82.4	85.4	84.9	88.4	89.9	90.9	94.7	97.4	103.4				132.6
LCC EVENDALE	200	82.8	68.8	80.8	81.5	81.5	83.3	85.0	85.3	87.5	90.5	93.3	97.4	100.2	105.8				134.9
DATE 04-22-75	250	84.5	69.8	83.3	83.8	84.0	83.8	85.3	86.3	89.3	93.0	92.3	96.5	99.0	102.9				135.5
RLN CBTF-MODEL 2	315	85.5	69.5	82.8	84.5	85.0	85.5	85.3	88.1	90.3	93.0	96.0	99.1	104.2	109.0				138.0
TYPE X20380	400	82.7	67.0	82.8	82.4	84.4	84.4	86.3	88.1	91.1	94.3	93.5	100.0	103.7	103.6				135.0
BAR 29.9 HG	500	84.1	70.1	84.8	83.3	84.0	85.6	88.0	89.0	90.9	93.4	95.7	102.1	104.8	101.8				136.6
401039, N/42)	630	84.1	69.7	85.2	83.7	85.0	84.8	87.4	89.1	91.4	93.0	96.0	100.3	102.4	101.6				135.3
TAMB 59. DEG F	800	83.5	69.9	84.9	85.3	86.5	85.8	87.7	90.6	92.3	95.3	97.7	100.3	100.0	100.0				138.1
(288. DEG K)	1000	84.6	68.9	85.5	85.4	85.8	86.7	88.4	89.6	92.4	95.1	97.0	97.2	96.6	93.7				133.7
TWET 53. DEG F	1250	83.2	69.7	85.1	85.0	86.0	87.2	88.7	89.4	91.4	94.1	97.1	98.0	93.9	91.2				132.2
(285. DEG K)	1600	82.8	70.5	86.4	86.5	87.1	87.7	89.0	90.0	91.3	93.7	95.6	95.7	91.9	88.5				132.0
WACT 8.91 GM/M3	2000	84.6	70.6	86.3	87.9	88.2	88.1	88.5	90.1	91.0	93.1	95.7	95.0	91.6	88.5				131.9
(.00891 KG/M3)	2500	84.0	71.3	88.5	87.2	87.6	88.2	89.4	89.9	91.8	93.8	94.5	94.7	91.1	87.7				131.8
FREQ. SHIFT	3150	84.5	72.4	89.2	88.9	89.3	89.7	90.0	91.1	91.5	94.6	95.4	95.6	93.0	91.6				132.9
JET 0	4000	83.9	72.1	88.2	89.0	90.1	90.5	91.1	92.6	93.7	95.8	96.0	96.0	94.0	91.5				133.9
DIAMETER RATIO	5000	84.2	72.7	89.1	89.1	90.2	90.8	92.7	92.5	95.3	97.7	98.4	98.3	96.2	93.6				133.7
DF/DM 1.00	6300	84.9	74.0	90.4	90.5	92.1	92.1	92.6	94.3	96.0	99.1	99.6	99.9	98.3	96.0				137.0
	8000	86.2	75.7	91.7	91.2	93.0	93.3	93.7	95.4	96.9	99.8	100.4	101.2	99.3	98.3				138.3
	10000	87.7	76.6	91.9	92.2	94.1	93.8	94.4	96.5	98.8	100.1	100.6	102.2	100.6	99.7				139.3
	12500	87.5	79.0	93.9	93.1	94.5	94.5	95.5	96.9	98.6	99.7	100.3	101.5	101.0	99.9				139.8
	16000	88.1	80.6	95.1	93.9	95.1	94.4	94.8	96.5	98.0	98.9	98.8	100.1	99.6	99.7				139.6
	20000	90.3	82.7	97.1	95.9	96.2	94.1	93.8	95.0	96.2	97.2	97.3	98.6	99.1	98.9				139.4
	25000	86.1	79.5	95.8	95.6	95.1	93.2	91.8	92.3	93.8	94.4	93.6	94.7	95.6	94.3				137.6
	31500	80.4	74.5	89.5	90.5	92.1	91.4	90.4	90.6	90.5	91.0	90.9	92.0	92.3	90.9				134.9
	40000	77.9	73.3	87.3	86.9	87.2	86.7	86.7	87.6	87.2	87.8	86.5	88.1	89.6	89.1				132.1
	50000	74.2	72.4	84.6	84.7	84.1	83.4	83.9	84.8	84.6	85.3	83.8	85.5	86.8	87.2				130.4
	63000	70.6	73.4	81.2	81.1	79.9	80.2	80.2	82.0	81.7	83.1	80.4	81.9	83.8	86.4				129.4
	80000	67.0	73.4	77.9	77.9	75.4	77.3	77.9	79.6	78.7	82.7	78.3	79.8	81.5	86.0				130.3
OVERALL MEASURED																			
OVERALL CALCULATED		99.2	89.4	104.3	104.0	104.8	104.3	104.9	106.4	108.0	109.9	110.9	112.7	113.7	114.9				130.4
PND8	109.6	97.0	113.2	113.1	114.0	114.5	115.6	117.2	118.6	121.1	122.1	123.3	122.7	122.8					



☆ 10 dB TOO LOW

ORIGINAL PAGE IS OF POOR QUALITY

REV.	ALPHA	FREQ.	ANGLES FROM INLET IN DEGREES (AND RADIANS)																	PWL	
			30.	40.	50.	60.	70.	80.	90.	100.	110.	120.	130.	140.	150.	160.	180.	0.	0.		0.
NO EGA		50	69.1	59.8	71.1	72.2	72.0	71.1	71.1	71.5	72.9	74.3	77.3	80.8	84.6	89.2					119.0
NO EGA		63	72.1	60.6	72.9	73.5	74.0	73.7	74.3	75.2	75.6	77.8	80.8	84.1	88.0	92.6					122.2
RFG. NO. 0.		80	74.6	62.1	76.0	75.6	75.5	75.4	77.8	78.1	79.8	81.6	85.2	88.9	91.5	94.6					125.4
RADIAL 40. FT.		100	77.4	63.7	78.9	77.9	77.7	78.4	81.5	82.8	83.5	85.2	88.4	93.0	97.0	99.2					129.9
(12. M)		125	80.0	65.0	79.7	80.2	79.5	81.7	84.7	84.7	86.5	88.5	90.7	94.9	98.0	101.0					131.6
VEHICLE JENOTS		160	84.9	68.4	82.9	82.9	82.9	85.7	87.9	87.4	90.4	91.9	93.2	96.9	100.1	103.8					134.0
CONFIG JE#056		200	85.0	70.5	82.8	84.0	84.5	85.5	87.0	87.8	90.0	92.8	96.3	100.4	102.3	105.8					136.3
LCC EVENDALE		250	86.8	71.8	85.5	86.0	86.0	86.8	87.5	88.5	90.8	94.8	98.8	101.8	105.2	104.1					137.6
CATE 04-22-75		315	88.0	71.5	86.0	87.3	87.8	88.2	87.5	91.3	92.5	95.5	98.8	101.6	106.4	110.0					139.7
RUN CBTF-MODEL 2		400	84.9	68.5	86.6	85.4	86.9	86.5	88.8	90.6	92.8	96.3	96.3	102.0	106.2	104.1					137.9
TAPE X20390		500	86.6	71.6	88.1	86.5	87.7	88.4	90.7	91.7	94.7	96.2	98.7	104.1	105.8	102.8					138.4
BAR 29.9 HG		630	86.3	72.2	87.7	86.7	88.0	87.5	90.6	91.9	94.9	96.0	99.5	102.6	104.4	103.1					137.7
(01039, N/42)		800	86.0	72.4	88.1	88.5	89.5	89.0	90.9	93.6	95.3	98.5	100.2	102.0	101.7	100.7					137.3
TANB 59. DEG F		1000	87.3	72.1	88.5	88.6	88.5	89.9	91.9	93.4	95.1	98.6	100.0	99.7	99.1	95.2					136.1
(288. DEG K)		1250	86.2	72.7	89.1	88.5	89.2	90.2	91.7	92.4	95.2	97.9	100.1	99.5	95.4	92.7					135.4
THET 53. DEG F		1600	85.8	73.2	88.9	89.0	90.3	90.7	92.3	94.0	95.6	98.2	99.3	98.2	94.6	90.7					135.5
(285. DEG K)		2000	87.3	73.1	89.5	90.7	91.5	91.3	92.5	93.6	95.7	98.1	98.7	98.0	94.8	91.0					135.5
HACT 8.91 GM/M3		2500	87.3	75.0	91.7	90.7	90.8	91.4	92.9	94.1	96.5	98.8	98.5	97.7	94.9	90.7					135.8
(0.0891 KG/M3)		3150	87.5	75.6	92.7	92.4	92.6	92.8	94.0	95.1	96.8	99.8	99.1	98.8	96.3	93.8					136.9
FREQ. SHIFT		4000	86.4	75.4	92.3	92.0	93.1	93.8	95.1	96.4	98.5	100.6	100.0	99.7	97.5	94.5					137.9
JET 0		5000	87.2	76.2	92.3	92.8	93.7	94.8	96.5	98.2	100.8	102.2	101.2	101.8	100.2	96.6					139.6
DIAMETER RATIO		6300	88.4	78.0	94.2	94.3	95.1	96.4	96.8	98.8	101.2	103.4	102.8	103.4	101.8	98.5					140.9
DF/DN 1.00		8000	88.9	79.2	94.7	94.7	96.0	97.3	97.2	99.1	101.7	103.8	103.4	103.9	103.1	100.3					141.8
		10000	90.7	78.9	94.6	95.2	97.4	97.8	97.9	100.2	102.1	103.8	104.1	104.7	103.9	101.5					142.7
		12500	90.2	79.8	95.6	95.6	96.8	97.7	99.0	100.4	101.8	103.4	103.6	104.5	104.2	101.6					143.0
		16000	88.3	80.1	95.1	95.2	97.1	96.9	98.0	100.5	101.3	101.9	102.1	102.9	102.1	99.7					142.4
		20000	87.1	80.7	97.3	94.7	95.4	95.9	97.5	98.8	99.9	99.9	99.6	100.1	99.1	97.2					141.0
		25000	86.8	81.8	97.5	96.1	94.9	94.7	95.3	97.1	97.6	98.1	96.8	97.5	97.1	94.3					139.9
		31500	81.7	75.7	92.0	92.7	92.6	93.1	92.2	93.9	94.3	94.7	93.9	94.7	94.5	90.9					137.3
		40000	77.6	73.1	87.8	87.9	87.9	88.0	88.2	90.1	90.7	90.8	90.2	90.9	90.8	88.3					134.1
		50000	74.7	72.9	85.9	85.2	84.1	84.6	84.9	87.1	87.1	88.5	87.5	88.7	88.8	86.2					132.4
		63000	71.8	72.8	82.7	81.9	81.2	81.0	81.7	84.0	84.2	85.9	83.7	87.4	87.4	85.6					131.6
		80000	67.0	73.6	77.9	77.9	78.4	78.0	79.1	81.3	81.5	84.5	80.3	86.8	86.5	85.7					132.7
OVERALL MEASURED			101.2	90.6	106.3	106.0	106.8	107.4	108.4	110.1	111.9	113.7	114.0	115.3	116.1	115.7					153.2
OVERALL CALCULATED			112.5	100.1	116.4	116.3	117.1	118.0	119.2	120.8	123.1	125.1	125.4	126.3	125.7	124.2					



☆ 10 dB TOO LOW

PROC. DATE MONTH 5 DAY 3 HR: 15:8
 MODEL SOUND PRESSURE LEVEL'S (59° DEG. F, 70 PERCENT REL. HUM, DAY - JENOTS)

REV. ALPHA 12/73	FREQ.	ANGLES FROM INLET IN DEGREES (AND RADIAN'S)															PHL		
		30.	40.	50.	60.	70.	80.	90.	100.	110.	120.	130.	140.	150.	160.	0.		0.	0.
	50	68.3	59.8	70.9	72.4	71.7	70.3	71.1	71.3	72.6	74.3	77.0	79.8	83.8	87.7				118.0
NO EGA	63	72.1	60.6	73.4	73.5	73.0	73.2	73.8	74.2	75.1	77.8	80.3	83.9	87.2	90.8				121.2
RDG. NO. 0.	90	74.9	61.1	76.0	76.1	75.3	75.4	77.3	77.3	79.3	81.6	85.2	89.1	91.8	94.4				125.4
RADIAL 40, FT.	100	76.7	62.7	78.4	77.7	77.2	77.9	81.2	81.8	83.7	85.4	87.7	92.3	96.3	97.7				128.9
(12. 4)	125	79.7	65.0	79.2	79.7	79.2	81.2	84.2	84.2	86.2	88.2	90.5	94.9	97.8	100.0				131.1
VEHICLE JENOTS	160	84.7	67.9	82.7	82.2	82.4	85.2	87.4	86.9	89.9	91.2	92.7	96.4	99.4	102.6				133.4
CCNFIG JE#056	200	84.3	69.8	82.3	83.8	84.0	85.5	86.5	87.3	89.5	92.3	95.6	99.6	102.0	105.3				135.8
LCC EYENDALE	250	86.8	71.8	85.3	86.0	85.5	86.0	87.3	88.0	94.3	94.3	98.0	101.0	104.9	103.6				137.1
DATE 04-22-75	315	87.5	71.5	85.5	86.8	87.8	87.7	86.8	88.5	90.5	92.0	95.3	98.8	101.4	106.2				139.4
RUN DBTF-MODEL 2	400	84.7	68.0	86.3	85.4	86.7	86.2	88.3	90.6	93.1	95.8	96.0	101.8	105.7	103.9				137.5
TAPE X20400	500	85.8	71.6	87.3	85.5	87.2	87.9	89.7	90.7	93.7	95.7	98.0	103.1	105.1	102.1				137.6
BAR 29.9 HG	630	86.1	72.0	88.0	86.2	87.7	87.3	90.1	91.4	94.4	95.5	99.0	102.1	103.9	102.3				137.2
#01639, N/42)	800	85.0	71.9	87.9	88.3	89.0	88.3	90.2	93.1	95.0	97.8	99.7	101.3	100.7	100.2				136.6
TAMB 59, DEG F	1000	86.8	71.1	88.0	88.1	88.5	89.4	91.2	92.6	94.9	98.1	99.5	98.4	97.6	94.4				135.4
(288, DEG K)	1250	85.7	72.2	88.4	87.8	88.7	89.2	91.4	92.7	94.7	97.6	99.6	99.2	94.9	92.2				135.3
TWET 53, DEG F	1600	85.0	73.0	88.7	88.5	89.8	90.5	92.0	93.0	95.1	97.5	98.3	97.4	93.6	90.0				134.8
(285, DEG K)	2000	86.8	72.8	89.0	90.4	91.2	91.1	91.5	93.1	95.0	97.4	98.2	97.5	93.8	90.0				134.9
HACT 8.91 GM/M3	2500	86.8	74.8	92.0	90.9	90.8	91.2	92.4	94.1	96.3	97.3	97.7	97.2	93.9	90.2				135.2
(.00891 KG/M3)	3150	87.3	75.9	92.7	92.2	92.3	92.6	93.5	95.5	96.8	98.8	98.9	98.8	95.8	93.3				136.6
FREQ. SHIFT	4000	85.9	75.4	92.4	92.0	92.8	93.3	94.6	96.1	97.7	99.6	99.5	99.2	96.7	93.2				137.3
JET 0	5000	86.7	76.0	92.6	92.8	93.5	94.3	96.0	98.2	100.5	102.0	100.9	101.3	99.5	96.1				139.3
DIAMETER RATIO	6300	87.7	77.5	93.9	93.8	94.8	95.9	97.1	98.6	100.7	103.1	102.3	102.6	101.0	98.0				140.5
DF/DN 1.00	8000	88.7	78.7	95.2	95.2	95.5	96.5	96.9	98.9	101.4	103.6	102.9	103.4	102.1	99.8				141.4
	10000	89.7	79.4	94.6	95.4	96.9	97.6	98.2	99.5	102.6	103.8	103.6	104.4	102.9	101.2				142.5
	12500	89.0	79.5	94.6	95.4	97.0	97.5	99.0	100.4	101.8	103.2	103.6	104.0	103.2	101.6				142.7
	16000	88.1	78.4	94.6	94.7	96.6	97.6	99.1	101.0	101.8	102.2	102.3	102.9	101.9	98.7				142.5
	20000	85.9	78.2	93.9	93.7	95.2	95.6	97.8	99.5	100.7	100.2	100.1	100.8	99.1	96.9				141.2
	25000	85.3	80.5	96.0	94.1	93.6	94.2	95.0	96.8	97.6	97.6	97.1	97.5	97.1	93.8				139.4
	31500	80.4	76.2	91.8	91.7	90.8	91.4	92.4	93.9	93.8	94.7	94.4	94.7	94.0	90.4				137.0
	40000	76.4	72.1	87.3	87.1	87.4	87.2	87.9	89.6	90.7	91.0	90.5	90.6	91.1	87.6				133.9
	50000	72.7	71.9	84.1	83.9	83.3	83.6	84.7	86.6	87.9	88.8	87.0	89.0	88.8	85.7				132.1
	63000	89.1	72.5	80.9	80.4	79.9	80.0	81.2	83.8	85.0	85.9	83.9	86.6	87.4	84.9				131.3
	80000	86.0	73.1	76.4	77.2	77.4	77.5	78.1	81.1	81.0	84.5	80.8	86.5	86.3	85.5				132.4
OVERALL MEASURED																			152.8
OVERALL CALCULATED																			152.8
PNDB		100.5	89.9	105.7	105.5	106.4	107.0	108.3	109.9	111.8	113.3	113.7	114.9	115.5	115.2				
		112.1	99.9	116.4	116.1	116.8	117.5	118.8	120.5	122.8	124.7	124.9	125.7	124.9	123.6				

★

★ 10 dB TOO LOW

ORIGINAL PAGE IS
OF POOR QUALITY

240

SPL INPUT AT STD REV. ALPHA-12/73	ANGLES FROM INLET IN DEGREES (AND RADIANS)																PWL	
	30.	40.	50.	60.	70.	80.	90.	100.	110.	120.	130.	140.	150.	160.	0.	0.		0.
FREQ. (0.52)(0.70)(0.87)(1.05)(1.22)(1.40)(1.57)(1.75)(1.92)(2.09)(2.27)(2.44)(2.62)(2.79)(3.0)(3.14)(3.49)	50	70.6	71.6	71.6	71.9	72.2	72.1	72.6	73.5	74.4	76.6	79.5	82.0	86.3	87.2			
NO-EGA	53	75.1	75.3	75.1	75.2	75.5	75.4	76.8	77.4	77.6	81.6	84.1	86.6	90.2	90.6			119.5
RDG. NO. 0.	30	77.1	77.4	77.0	76.9	76.8	77.4	79.1	79.3	81.1	83.6	87.0	89.9	93.0	94.4			123.5
RADIAL 40. FT.	100	80.4	79.6	80.6	80.9	80.6	81.4	82.9	84.8	85.5	87.9	90.4	94.5	99.3	99.2			126.4
(12. M)	125	83.7	82.7	82.7	83.2	81.7	84.2	86.9	87.2	88.2	90.9	93.2	96.8	100.3	101.3			131.4
VEHICLE JENOTS	160	89.1	85.6	85.6	86.1	85.4	86.4	89.3	89.4	91.9	93.6	95.4	98.4	101.8	101.8			133.4
CONFIG JE-058	200	87.3	87.0	85.8	86.3	86.0	87.3	88.3	92.0	91.5	95.3	98.8	102.4	105.5	104.8			135.1
LOG EVERDALE	250	89.8	87.5	87.8	88.3	88.0	89.0	89.0	90.3	95.8	97.0	101.0	104.0	108.2	105.6			138.1
DATE 04-29-75	315	91.3	89.3	87.8	89.8	90.3	90.4	89.3	93.8	94.0	98.3	102.5	105.1	109.9	108.8			140.1
RUN-DBTF-MODEL 2	400	87.6	85.9	89.3	88.1	89.4	89.2	90.8	93.3	95.8	99.6	99.8	105.5	110.2	106.8			141.8
TAPE X20410	500	89.3	89.3	90.3	88.5	89.9	90.6	92.4	94.2	96.4	98.7	101.2	106.4	109.1	106.6			141.5
BAR 29.5 HG	600	90.1	90.4	90.4	89.2	90.2	90.0	92.3	94.9	96.9	98.9	102.7	105.8	108.9	106.1			141.3
(9583. N/M2)	500	88.7	89.9	90.1	90.8	91.0	91.5	92.9	95.9	97.8	101.0	103.7	104.0	104.7	104.4			141.3
TAN# 68. DEG F	1000	89.6	88.4	90.3	90.1	90.5	91.9	94.4	98.6	98.1	101.1	102.7	101.9	101.6	99.4			140.2
(293. DEG K)	1250	89.0	89.2	90.1	90.5	91.0	92.2	94.2	95.7	97.4	101.1	102.6	101.7	99.4	96.7			138.8
TILT 54. DEG F	1500	86.3	89.2	89.7	90.5	91.8	93.0	94.0	96.5	97.6	100.3	101.8	99.7	97.4	93.7			137.7
(265. DEG K)	2000	85.3	88.6	89.0	92.4	93.0	93.6	93.8	95.8	97.5	99.6	100.7	99.8	97.3	93.5			137.4
HAGT 0. 3M/MS	2500	87.3	88.8	90.8	91.7	92.1	93.2	93.9	95.9	98.0	100.3	100.0	99.2	96.4	93.0			137.4
(. K3/M3)	3150	87.3	89.2	90.8	93.5	93.6	93.6	95.0	96.6	98.1	100.6	100.9	99.9	97.1	94.1			138.1
FREQ. SHIFT	4000	85.9	88.9	90.5	93.1	94.1	95.3	95.9	97.4	99.3	101.1	101.6	99.8	98.1	95.3			138.8
JET 0	5000	88.5	88.5	90.9	93.1	94.1	95.3	96.5	99.3	101.3	103.0	102.5	102.4	100.8	97.6			140.4
DIAMETER RATIO	6300	89.3	89.6	92.0	93.9	95.4	96.5	97.2	99.7	101.8	103.5	103.4	103.5	102.9	99.9			141.5
DF/DM 1.00	9000	89.0	90.1	93.4	94.3	96.1	97.1	97.8	100.5	101.8	104.2	104.2	103.8	103.7	101.4			142.3
142	10000	93.4	93.6	92.6	95.4	96.8	97.7	98.1	100.9	102.0	104.3	104.3	104.6	103.8	101.9			143.0
	12500	87.7	91.0	93.4	95.3	96.7	97.7	99.0	100.9	101.6	103.7	103.6	104.3	103.7	101.9			143.0
	16000	83.9	91.2	94.4	95.2	96.6	97.4	98.5	100.3	100.8	102.2	101.9	102.4	101.7	99.5			142.3
	20000	87.7	92.7	94.9	96.0	95.5	95.9	97.1	98.3	99.4	99.7	99.9	99.9	100.2	96.7			141.1
	25000	88.4	91.9	94.9	96.7	95.7	95.8	95.6	97.1	97.4	98.4	97.1	97.3	96.9	93.9			140.1
	31500	82.0	87.1	89.9	92.5	92.9	93.7	93.7	94.7	94.3	95.8	94.7	95.0	94.3	91.0			137.9
	40000	77.4	84.1	87.6	88.9	89.0	89.0	89.7	91.1	90.7	93.3	91.0	91.4	92.1	89.4			135.3
	50000	77.1	82.3	84.6	86.9	85.8	86.3	86.8	88.3	88.5	91.9	89.2	90.4	90.7	87.6			134.3
	63000	75.5	77.7	82.1	84.3	83.6	83.3	83.8	86.1	85.6	93.0	88.1	89.5	90.2	87.8			135.1
	80000	76.6	79.2	78.5	80.5	81.0	81.4	82.2	83.9	82.6	94.3	87.6	89.9	90.9	87.8			138.1
OVERALL MEASURED																		
OVERALL CALCULATED		102.6	103.5	105.3	106.7	107.3	108.1	109.1	111.1	112.6	114.8	115.6	116.7	118.6	116.5			154.5
P493		113.6	114.3	115.7	117.5	118.2	119.2	120.0	122.3	124.2	126.3	126.9	127.3	127.5	125.0			

MODEL SOUND PRESSURE LEVELS (59 DEG F, 70 PERCENT REL HUM, DAY - JENOTS)

REV. ALPHA 12/73 FREQ.	ANGLES FROM INLET IN DEGREES (AND RADIANS)															PHL				
	30.	40.	50.	60.	70.	80.	90.	100.	110.	120.	130.	140.	150.	160.	0.		0.	0.		
NO EGA	50	61.8	62.6	64.6	64.7	65.7	64.6	65.4	65.3	66.4	65.6	66.0	67.5	70.8	73.2				107.4	
RDG. NO. 0.	63	62.6	64.3	65.4	66.2	66.8	66.4	67.0	67.2	67.9	68.1	68.8	70.4	74.0	76.3				109.7	
RADIAL 40. FT.	80	63.4	64.4	66.0	66.4	67.5	67.2	68.3	68.3	69.3	70.1	70.7	74.6	76.5	79.6				111.9	
(12. M)	100	64.9	65.2	67.4	68.4	68.4	69.9	71.7	72.6	74.0	74.2	75.7	79.5	83.0	84.4				116.8	
VEHICLE JENOTS	125	68.2	67.7	68.2	69.0	69.7	72.2	74.9	74.5	76.0	77.5	79.0	82.6	85.8	88.3				119.6	
CONFIG JE-056	160	72.9	71.7	71.2	72.2	72.9	75.7	77.6	76.9	79.7	79.9	80.7	84.4	86.9	89.4				121.4	
LOC EVENDALE	200	74.8	75.5	74.0	74.5	75.0	77.3	78.0	78.5	80.0	82.0	82.8	87.1	90.0	92.8				124.0	
DATE 04-22-75	250	78.0	77.3	77.0	77.5	78.0	78.5	79.0	80.0	85.3	84.3	86.3	88.0	92.7	95.1				126.5	
RUN DBTF-MODEL 2.	315	78.5	77.5	77.3	78.3	79.8	81.0	79.3	83.0	83.3	84.8	87.0	89.4	93.7	98.3				128.1	
TAPE X20420	400	74.9	73.2	77.3	76.7	78.2	78.5	79.3	80.6	81.8	83.3	82.3	89.3	92.5	92.6				128.4	
BAR 29.9 HG	500	75.6	76.8	78.1	76.8	78.0	79.1	80.7	81.2	82.4	83.2	85.0	91.9	93.3	94.3				126.8	
(01039, N/M2)	630	76.8	78.2	79.5	77.7	79.7	80.0	82.6	82.9	83.4	83.2	85.2	89.8	92.2	94.6				126.5	
TAMB 59, DEG F	800	77.7	78.9	79.1	79.5	80.8	80.3	81.4	83.1	84.3	86.3	88.2	90.8	91.7	93.5				126.9	
(288, DEG K)	1000	78.8	77.6	79.8	79.4	80.8	81.9	82.9	84.1	84.4	86.6	86.7	89.2	89.8	89.7				125.9	
THET 53, DEG F	1250	78.0	79.2	79.6	79.5	80.5	81.4	83.2	83.7	84.2	86.1	87.8	89.7	89.9	87.4				125.9	
(285, DEG K)	1600	77.8	78.7	79.2	79.8	81.1	82.0	82.3	83.0	83.6	85.0	87.6	88.7	87.4	84.7				125.0	
HACT 8.91 GM/M3	2000	79.4	78.9	78.6	80.4	81.0	81.4	81.6	82.4	83.3	83.9	86.0	88.3	85.4	83.3				124.2	
(.00891 KG/M3)	2500	78.1	78.6	79.3	78.3	79.2	80.2	81.0	82.2	82.3	83.6	84.6	87.0	83.7	80.8				123.2	
FREQ. SHIFT	3150	76.1	77.7	77.9	78.3	79.2	79.9	80.4	81.0	81.4	83.2	84.5	85.5	82.4	79.5				122.5	
JET 0	4000	74.5	77.1	76.8	77.7	78.8	79.7	79.7	80.6	81.2	82.5	83.7	83.7	79.2	77.1				121.7	
DIAMETER RATIO	5000	74.4	77.2	77.0	77.0	77.4	79.2	80.2	80.9	81.7	82.2	82.9	83.0	79.2	77.3				121.5	
DF/DH 1.00	6300	74.0	77.8	78.0	78.6	78.6	79.2	79.6	80.6	80.8	81.9	82.6	82.7	78.8	76.6				121.5	
	8000	73.6	78.1	77.6	78.8	79.8	79.7	79.1	80.3	80.8	81.5	83.0	83.3	78.5	76.5				121.9	
	10000	72.9	77.4	77.7	77.2	78.7	78.8	78.4	79.2	80.8	81.4	83.3	82.7	78.1	75.2				121.7	
148	12500	70.6	75.1	75.5	75.4	77.1	76.8	77.1	78.2	77.9	79.5	81.4	80.9	76.1	73.0				120.2	
	16000	68.5	72.5	72.7	73.1	75.0	74.5	75.9	75.6	76.6	77.5	78.2	77.0	72.7	70.1				118.2	
	20000	65.2	69.5	70.2	70.8	72.0	71.5	72.6	73.4	74.2	75.0	75.4	73.7	70.0	67.3				115.9	
	25000	62.8	67.2	68.0	68.6	69.1	69.1	70.0	71.0	72.5	72.6	71.8	70.4	67.8	65.2				113.8	
	31500	59.3	63.9	64.2	64.9	65.2	66.8	67.1	68.5	69.4	70.4	69.5	67.9	65.4	62.8				111.6	
	40000	57.8	61.5	62.0	63.0	63.1	62.6	63.1	64.7	66.6	67.2	65.6	64.3	63.0	62.7				109.2	
	50000	56.1	58.1	59.1	59.6	60.3	60.1	60.3	61.8	64.5	66.4	65.7	64.2	63.3	63.6				108.7	
	63000	56.0	56.4	57.1	58.1	58.6	57.4	57.6	60.4	65.9	67.8	66.1	66.0	64.7	66.0				111.1	
	80000	57.3	55.2	55.7	57.0	58.7	57.1	57.1	59.8	71.2	70.2	67.6	67.8	66.3	67.8				116.5	
OVERALL MEASURED		89.6	90.7	91.1	91.3	92.3	93.0	93.8	94.7	95.7	96.9	98.3	100.9	102.3	104.1				137.9	
OVERALL CALCULATED		PNDB	101.7	102.8	103.2	103.4	104.3	105.1	105.7	106.6	107.3	108.6	109.9	111.9	110.6	111.7				

ORIGINAL PAGE IS OF POOR QUALITY

242

		MODEL SOUND PRESSURE LEVELS (59. DEG. F, 70 PERCENT REL. HUM. DAY - JENOTS)																		
		ANGLES FROM INLET IN DEGREES (AND RADIANS)																		
REV. ALPHA 12/73	FREQ.	30.	40.	50.	60.	70.	80.	90.	100.	110.	120.	130.	140.	150.	160.	0.	0.	0.	PHL	
		(0.52)	(0.70)	(0.87)	(1.05)	(1.22)	(1.40)	(1.57)	(1.75)	(1.92)	(2.09)	(2.27)	(2.44)	(2.62)	(2.79)	(0.	(0.	(0.		
---	NO EGA	50	63.6	65.6	69.1	69.7	67.5	67.8	67.6	67.5	67.4	67.1	67.5	70.0	71.8	75.2				109.7
	RDG. NO.	63	64.3	66.6	68.9	69.0	69.0	68.4	68.5	69.2	69.4	68.8	70.1	72.4	75.2	81.3				112.2
	RADIAL 40. FT.	80	64.9	66.4	70.5	69.4	69.3	68.7	69.3	70.1	70.8	70.6	72.5	75.6	77.8	82.9				113.9
	(12. M)	100	65.7	66.9	70.7	70.4	70.4	71.2	73.2	73.8	74.7	74.7	76.2	80.5	84.0	85.4				117.6
	VEHICLE JENOTS	125	68.5	68.7	70.5	70.5	70.5	73.0	75.4	75.2	76.2	77.7	79.5	82.9	86.3	89.5				120.3
	CONFIG JE-056	160	73.7	72.7	72.7	73.7	73.4	75.9	78.1	77.2	79.9	80.2	80.9	84.4	87.6	90.1				121.9
	LOC EVENDALE	200	75.0	75.8	74.8	75.3	75.5	77.0	78.0	78.5	80.5	81.8	82.8	86.9	90.0	93.5				124.2
	DATE 04-22-75	250	77.8	77.3	77.0	76.8	77.5	78.0	78.3	79.5	85.3	84.3	86.0	87.8	91.7	93.9				125.8
	RUN DBTF-MODEL 2	315	78.0	76.8	77.0	78.3	79.3	81.0	79.3	82.3	83.0	84.5	86.3	88.6	92.4	97.3				127.3
	TAPE X20430	400	74.7	73.2	78.6	75.9	77.7	78.5	79.3	80.1	81.8	83.3	81.5	89.0	92.5	91.6				125.1
	BAR 29.9 HG	500	74.8	76.1	77.8	76.3	77.7	78.9	80.7	81.5	82.4	83.2	85.0	91.4	92.6	93.1				126.2
	(01039. N/M2)	630	75.8	77.2	78.7	77.2	79.0	79.0	81.6	81.9	83.7	83.0	84.5	89.6	91.2	92.8				125.6
	TAMB 59. DEG F	800	77.2	78.4	78.6	78.8	79.8	79.8	80.7	82.6	84.3	85.8	87.2	90.0	90.7	92.5				126.1
	(288. DEG K)	1000	78.1	77.1	79.3	78.7	79.8	80.9	82.4	82.8	83.9	85.8	86.0	88.4	89.8	88.4				125.2
	TWET 53. DEG F	1250	77.5	77.7	79.1	79.0	80.0	80.9	81.9	83.2	83.4	85.4	86.8	89.5	88.2	85.7				125.0
	(285. DEG K)	1600	77.3	79.0	79.7	79.8	81.1	81.5	82.0	82.5	82.9	84.3	86.4	87.7	85.6	83.0				124.2
	HACT 8.91 GM/M3	2000	78.9	78.4	78.3	80.4	80.8	81.4	81.1	81.9	82.5	83.2	85.0	87.0	84.1	81.8				123.5
	(.00891 KG/M3)	2500	77.9	78.9	79.6	78.8	78.9	80.0	80.8	81.5	82.1	83.1	84.1	85.7	82.7	79.3				122.7
	FREQ. SHIFT	3150	75.6	77.7	78.1	78.8	79.4	80.2	80.4	80.7	81.4	82.7	84.0	85.5	82.2	79.5				122.4
	JET 0	4000	74.0	77.1	77.3	77.9	78.8	79.7	80.2	81.5	81.4	82.8	83.7	83.9	80.7	78.9				122.0
	DIAMETER RATIO	5000	74.7	77.7	77.5	78.3	78.9	79.7	80.7	81.7	82.7	83.2	84.4	84.8	80.9	80.0				122.6
	DF/DM 1.00	6300	74.2	79.0	79.0	79.3	80.1	81.2	81.1	82.1	82.8	83.2	84.1	84.4	81.3	80.3				123.1
		8000	74.6	79.4	79.4	80.3	81.4	81.9	81.1	82.8	83.3	84.5	84.5	83.6	80.7	80.7				123.8
		10000	73.4	78.6	80.2	79.7	80.9	81.8	81.7	82.5	83.3	84.1	85.6	83.7	79.6	80.2				124.2
		12500	71.1	77.4	78.2	78.7	80.3	80.6	80.9	81.5	81.7	83.3	84.7	82.4	78.6	78.5				123.4
		16000	69.2	75.0	75.5	75.8	78.0	78.3	78.6	79.9	79.9	80.8	82.2	79.5	76.7	75.3				121.5
		20000	66.2	72.8	73.0	74.3	74.8	75.7	76.1	77.1	78.0	78.5	78.4	76.7	74.0	73.3				119.3
		25000	63.5	69.5	71.2	71.6	72.3	73.6	74.0	75.3	75.8	76.6	75.8	74.2	71.5	72.5				117.6
		31500	60.3	65.9	67.2	68.7	68.7	70.5	71.1	73.0	72.4	74.1	73.0	71.1	68.7	70.3				115.3
		40000	58.5	63.2	65.0	65.3	66.1	66.4	66.8	69.0	69.9	70.4	68.9	67.3	65.7	70.7				112.7
		50000	56.1	61.1	61.6	62.6	62.5	63.6	64.1	67.3	67.0	67.4	67.2	66.2	64.5	73.1				111.9
		63000	56.2	58.2	58.8	60.3	60.4	59.9	60.6	66.9	65.9	66.0	66.6	66.3	85.0	75.5				113.5
		80000	56.8	56.2	56.2	57.5	58.7	57.8	58.1	68.3	66.2	66.2	67.6	68.1	66.6	77.0				117.3
	OVERALL MEASURED																			
	OVERALL CALCULATED		89.3	90.9	91.7	91.8	92.8	93.6	94.1	95.1	96.2	97.1	98.3	100.6	101.7	103.4				138.0
	PNOB		101.5	102.9	103.7	103.9	104.6	105.4	105.9	106.9	107.8	108.6	109.8	111.6	110.4	111.5				

MODEL SOUND PRESSURE LEVELS (59, DEG. F, 70 PERCENT REL. HUM. DAY - JENOTS)

REV. ALPHA 12/73	FREQ.	ANGLES FROM INLET IN DEGREES (AND RADIANS)																		PWL
		30. (0.52)	40. (0.70)	50. (0.87)	60. (1.05)	70. (1.22)	80. (1.40)	90. (1.57)	100. (1.75)	110. (1.92)	120. (2.09)	130. (2.27)	140. (2.44)	150. (2.62)	160. (2.79)	0. (0.)	0. (0.)	0. (0.)		
NO EGA	50	59.3	60.3	60.9	62.2	63.2	63.1	64.1	63.8	65.1	65.1	66.8	69.5	72.3	75.2				107.5	
RDG. NO. 0.	63	61.8	64.1	63.2	64.5	64.8	65.9	65.8	65.7	66.6	67.8	69.8	73.6	76.5	78.8				110.7	
RADIAL 40. FT.	80	63.9	64.6	65.0	64.9	66.3	66.7	67.8	68.1	69.3	70.4	73.2	77.1	79.5	82.9				113.9	
(12. M)	100	65.9	65.9	68.4	68.2	68.2	69.9	71.7	73.1	74.7	74.7	76.9	81.5	84.8	86.2				118.0	
VEHICLE JENOTS	125	69.7	69.2	69.2	69.5	70.2	72.5	75.4	75.0	76.7	78.2	80.5	84.4	87.8	90.3				121.3	
CONFIG JE-056	160	75.4	73.4	72.7	73.4	73.7	76.4	78.4	77.2	80.4	81.2	82.2	86.2	89.4	91.4				123.1	
LOC EVENDALE	200	76.0	76.3	73.8	74.8	75.0	77.3	78.3	79.3	80.8	83.0	85.1	89.6	92.2	95.3				126.0	
DATE 04-22-75	250	79.8	79.3	78.3	78.8	78.3	78.8	80.3	81.8	88.3	87.5	91.0	92.5	96.2	97.6				129.7	
RUN DBTF-MODEL 2	315	80.5	79.0	78.5	79.5	80.3	82.2	80.5	84.5	85.8	88.8	91.8	93.1	98.2	102.3				132.0	
TAPE X20440	400	76.9	75.5	78.3	77.7	78.9	79.0	81.1	83.1	86.1	88.3	88.0	95.3	98.2	98.1				130.6	
BAR 29.9 HG	500	77.8	78.1	78.8	77.5	78.5	79.6	81.5	82.5	84.7	85.9	88.2	95.9	98.1	96.6				130.2	
(01039, N/M2)	630	79.1	79.0	79.5	78.2	79.5	79.8	82.6	83.1	85.4	85.7	89.0	94.3	96.7	98.3				130.0	
TAMB 59, DEG F	800	78.5	79.4	79.9	79.5	80.8	80.8	82.2	84.1	86.3	88.3	91.0	94.0	95.2	96.7				129.6	
(288, DEG K)	1000	79.6	78.4	80.8	79.9	80.5	82.2	83.7	85.1	86.4	89.1	90.2	92.2	92.8	92.9				128.3	
THET 53, DEG F	1250	78.7	79.2	79.6	79.8	81.2	81.7	83.4	85.2	86.2	88.6	91.3	93.5	91.9	88.9				128.2	
(285, DEG K)	1600	77.8	79.2	79.7	80.0	81.1	82.5	83.5	84.3	85.4	87.3	90.6	91.7	89.6	86.7				127.1	
HACT 8.91 GM/M3	2000	78.9	78.4	78.3	80.2	81.3	82.1	82.3	83.9	85.0	86.9	89.2	90.8	87.4	85.1				126.2	
(.00891 KG/M3)	2500	77.6	78.4	78.8	78.3	79.7	80.5	81.5	82.5	84.3	85.9	88.1	89.0	85.2	82.8				124.9	
FREQ. SHIFT	3150	76.1	78.0	78.1	78.8	79.9	80.4	80.6	82.0	83.4	85.7	86.3	87.5	84.2	81.0				124.0	
JET 0	4000	74.3	76.8	76.8	77.7	78.8	79.7	80.7	81.5	82.7	84.5	85.4	85.2	81.2	78.6				122.9	
DIAMETER RATIO	5000	73.9	76.4	76.5	77.3	77.9	79.7	80.2	81.4	83.0	84.4	84.6	84.8	79.9	77.3				122.6	
DF/DM 1.00	6300	73.7	76.5	76.7	76.8	78.1	79.4	79.6	80.9	82.3	83.4	84.1	83.4	79.3	76.8				122.1	
	8000	72.6	75.6	76.4	77.1	78.6	78.7	78.8	80.5	81.3	82.7	83.2	82.3	77.7	75.7				121.6	
	10000	71.7	75.9	76.4	76.5	77.4	78.3	78.2	80.0	80.6	81.6	83.1	81.9	77.1	74.7				121.4	
	12500	70.1	74.1	74.7	74.9	76.3	76.8	77.4	78.2	79.4	80.8	80.9	79.6	76.1	74.5				120.2	
145	16000	68.2	72.2	72.7	72.6	74.7	75.5	76.1	76.9	77.9	78.0	78.7	77.5	72.7	71.1				118.7	
	20000	65.2	70.0	70.2	70.8	72.0	72.7	73.6	75.1	76.2	76.0	76.2	74.7	71.0	70.0				116.9	
	25000	63.8	68.0	68.5	69.3	71.8	70.8	71.2	73.0	73.8	74.1	73.3	72.9	71.3	70.2				115.5	
	31500	60.8	65.2	65.7	65.9	67.7	68.3	69.1	70.8	71.2	72.1	71.0	70.9	69.7	69.6				113.7	
	40000	59.0	62.5	63.0	63.8	64.1	65.4	65.6	67.5	68.6	69.2	67.6	69.5	69.2	70.7				112.0	
	50000	57.1	59.6	60.8	61.4	61.5	64.3	64.3	66.8	66.3	68.7	66.4	71.9	71.3	73.4				113.0	
	63000	56.7	57.2	57.8	59.3	60.1	64.1	64.6	66.9	66.9	69.0	66.6	73.8	73.5	75.3				115.9	
	80000	57.3	55.7	56.2	56.7	59.0	65.8	66.1	68.3	70.0	71.7	67.3	76.3	76.1	77.5				121.2	
OVERALL-MEASURED																				
OVERALL CALCULATED		60.4	90.9	91.3	91.4	92.4	93.4	94.4	95.8	97.7	99.3	101.4	104.4	106.2	107.5				140.6	
PND8		101.8	102.9	103.2	103.6	104.6	105.4	106.2	107.4	109.1	110.9	112.6	114.3	113.9	114.7					

ORIGINAL PAGE IS
OF POOR QUALITY

MODEL SOUND PRESSURE LEVELS (59 DEG. F) 70 PERCENT REL. HUM; DAY - JENOTS

REV, ALPHA 12/73	FREQ	ANGLES FROM INLBT. IN DEGREES (AND RADIAN\$)																		PHLI.
		30.	40.	50.	60.	70.	80.	90.	100.	110.	120.	130.	140.	150.	160.	0.	0.	0.		
NO EGA	63	60,6	61,3	60,9	60,9	61,7	62,3	63,1	64,0	64,9	65,1	67,3	70,8	73,6	75,5				107,8	
RDG. NO. 0	80	62,8	66,8	63,9	64,5	64,8	65,2	66,0	66,2	67,1	68,1	70,6	74,4	77,2	79,1				111,2	
RADIAL 40, FT.	100	66,7	67,2	69,2	68,9	68,7	69,9	72,7	73,6	74,5	75,2	78,2	82,5	86,5	86,7				114,6	
(12. M)	125	70,7	70,5	69,7	70,0	70,2	73,2	75,9	76,0	77,2	79,2	81,5	85,4	88,5	90,5				119,0	
VEHICLE JENOTS	160	76,4	74,7	74,7	74,2	74,7	77,4	79,1	78,2	81,7	83,2	86,7	89,4	91,1	91,1				121,9	
CONFIG JE-056	200	76,8	77,0	74,8	76,0	76,3	77,8	79,0	79,8	80,8	83,5	86,1	90,6	92,7	95,5				123,5	
LOC EVENDALE	250	80,8	80,3	79,5	79,3	79,5	79,8	80,5	82,8	83,8	87,8	92,3	93,5	97,4	98,6				126,6	
DATE 04-22-75	315	81,8	79,8	80,5	80,5	81,5	82,7	81,5	86,0	87,3	89,8	93,3	95,6	99,7	103,3				130,7	
RUN DSTF-MODEL 2	400	78,7	77,2	80,8	79,4	80,7	81,0	83,6	85,3	88,3	91,6	91,0	97,8	101,2	100,9				133,3	
TAPE X20460	500	79,3	79,8	79,8	78,5	80,0	80,9	82,5	84,0	85,9	86,9	89,7	97,6	99,6	98,1				133,4	
BAR 29.9 HG	630	80,3	79,7	80,2	79,2	80,7	80,8	83,4	84,6	86,7	87,7	91,2	97,1	98,9	100,8				131,8	
(01039, N/M2)	800	79,7	80,4	80,4	80,5	81,3	81,8	83,4	85,4	87,3	89,5	92,2	95,8	96,2	99,0				132,2	
TAMB 59, DEG F	1000	80,3	78,6	80,5	80,7	81,3	82,9	84,7	85,8	87,1	90,3	92,2	94,7	94,9	95,2				131,1	
(289, DEG K)	1250	79,2	79,2	80,6	80,5	81,5	82,4	84,4	85,9	86,7	90,1	92,6	95,2	93,4	90,7				130,0	
THET 53, DEG F	1600	78,1	88,0	79,9	81,0	81,3	82,5	84,5	85,0	86,6	88,8	92,1	92,2	90,9	88,0				129,6	
(285, DEG K)	2000	78,9	78,4	79,1	80,9	81,7	82,9	83,3	84,9	86,3	87,9	91,0	91,5	88,6	86,1				128,1	
HACT 8.9, GM/M3	2500	77,6	78,6	79,3	78,8	80,1	81,5	82,5	84,0	85,3	87,4	88,8	90,2	86,0	83,0				127,2	
(100891, KG/M3)	3150	76,1	77,5	78,3	78,8	80,2	80,9	81,6	82,7	84,4	86,7	87,7	88,2	84,6	81,7				125,9	
FREQ. SHIFT	4000	74,3	76,5	77,3	77,9	79,0	80,2	80,7	82,3	83,1	85,5	86,1	85,4	81,4	78,9				124,8	
JET 0	5000	73,9	75,9	76,8	77,2	78,2	79,2	80,4	81,9	83,5	85,1	85,6	84,5	79,9	77,7				123,4	
DIAMETER RATIO	6300	73,5	75,5	76,7	77,6	78,6	79,7	80,6	81,6	82,5	83,9	84,1	83,4	79,3	77,3				122,9	
DF/DM 1.00	8000	71,8	73,6	76,1	77,1	78,6	79,6	79,5	80,5	81,8	83,2	82,7	81,5	78,2	76,9				122,4	
	10000	71,2	74,9	75,6	76,7	77,9	78,6	79,2	80,2	81,3	82,3	83,3	80,4	76,6	75,5				121,7	
	12500	68,6	73,1	74,0	74,7	76,8	76,8	77,9	78,7	79,7	80,8	80,2	78,9	75,1	74,7				121,6	
148	16000	66,2	70,8	71,8	71,9	74,8	74,5	75,7	76,7	77,7	78,6	77,5	75,8	72,3	71,1				120,1	
	20000	63,1	67,4	68,6	69,4	71,4	71,8	72,9	74,5	75,8	75,8	75,2	73,2	70,3	69,6				118,2	
	25000	60,8	65,7	66,5	67,3	68,6	69,1	70,7	72,5	73,5	73,3	72,5	71,9	71,0	70,7				116,2	
	31500	57,5	63,0	63,1	64,3	65,1	66,6	67,7	69,9	70,0	71,0	69,2	70,0	69,6	69,2				114,5	
	40000	55,6	60,3	60,6	61,6	62,4	62,2	64,7	65,8	66,7	68,0	66,2	69,4	69,6	70,6				112,4	
	50000	54,5	58,2	57,9	59,2	59,1	59,4	63,4	65,6	64,9	67,8	65,8	72,2	71,8	72,4				110,8	
	63000	54,1	56,5	56,2	57,6	57,4	57,2	64,2	66,7	64,7	69,6	66,4	74,8	73,8	74,9				112,3	
	80000	54,3	55,4	54,9	56,9	56,7	56,5	66,1	67,5	65,7	71,2	68,3	76,5	76,3	78,7				115,9	
OVERALL MEASURED																			120,7	
OVERALL CALCULATED		91,1	91,3	91,9	92,1	93,0	94,0	95,3	96,8	98,6	100,6	102,8	106,1	107,9	109,0				142,0	
PNDR		102,1	103,0	103,6	104,8	105,1	106,0	107,0	108,4	110,0	112,0	113,7	115,5	115,6	115,9					

2.4/6

REV, ALPHA 12/73	FREQ	ANGLES FROM INLET IN DEGREES (AND RADIANS)																	PHLI
		30	40	50	60	70	80	90	100	110	120	130	140	150	160	0	0	0	
NO EGA	50	62,8	64,1	63,9	63,4	63,7	64,3	64,4	65,3	65,6	66,6	69,0	72,0	74,8	76,2	0	0	0	109,2
RDG NO	63	64,6	69,8	65,7	65,5	66,0	67,2	67,3	67,4	67,9	68,8	71,3	74,9	78,0	81,6				112,6
RADIAL 40 FT	80	66,6	67,1	67,0	65,9	66,8	67,9	70,1	69,8	71,1	71,9	75,2	79,1	81,5	85,1				115,9
(12 M)	100	66,9	67,4	69,9	69,2	69,4	70,9	73,2	74,1	75,2	75,9	78,2	83,3	87,3	87,7				119,7
VEHICLE JENOTS	125	71,5	71,2	70,5	70,7	71,0	74,2	76,4	76,5	77,7	79,7	81,7	86,1	89,0	91,0				122,4
CONFIG JE 056	160	77,2	75,2	75,2	74,7	75,2	77,9	79,6	78,7	81,7	81,9	83,9	87,4	90,6	92,4				124,4
LOC EVENDALE	200	77,0	77,5	75,3	75,8	76,3	77,8	78,8	79,8	81,3	83,8	86,6	91,1	93,2	95,3				126,8
DATE 04-22-75	250	81,0	80,5	79,3	79,0	79,0	79,5	80,8	82,5	88,8	88,3	92,0	93,8	97,4	98,9				130,8
RUN DBTF-MODEL 2	315	81,8	79,5	80,3	79,8	81,3	82,5	81,3	83,5	86,8	89,0	91,8	94,1	98,9	102,5				132,5
TAPE X20470	400	78,4	76,5	83,3	79,2	80,2	80,5	82,8	85,1	87,6	90,6	89,8	96,3	99,7	99,6				132,1
BAR 29,9 HG	500	78,6	79,1	79,3	78,0	79,0	80,6	82,5	83,5	85,2	86,9	89,5	97,4	99,3	95,8				131,4
(01039 N/M2)	630	79,1	79,5	80,0	78,7	79,8	80,3	82,4	84,1	85,9	87,5	90,0	95,6	97,9	98,1				130,7
TANB 59 DEG F	800	78,7	79,9	80,0	80,0	80,8	81,3	82,4	85,1	86,5	89,3	91,7	95,0	96,0	97,5				130,4
(288 DEG K)	1000	79,1	78,4	80,0	79,9	80,8	82,4	84,2	85,6	86,9	89,6	91,0	92,9	92,4	92,2				128,5
TWET 53 DEG F	1250	78,0	78,9	80,1	80,0	80,7	82,2	83,7	84,9	86,2	88,9	91,3	94,0	91,2	88,7				128,3
(285 DEG K)	1600	77,6	79,2	80,2	80,0	81,6	82,5	83,5	84,8	86,1	88,0	90,9	91,5	88,9	85,5				127,2
HACT 8,91 GM/M3	2000	78,9	78,4	79,3	81,7	82,0	82,6	82,8	84,4	85,5	86,9	90,0	90,5	87,1	84,1				126,4
(,00891 KG/M3)	2500	77,1	78,3	80,3	79,0	80,1	80,7	82,5	83,7	84,6	86,4	88,0	89,7	84,7	81,3				125,3
FREQ SHIFT	3150	76,1	78,7	79,6	80,3	80,7	81,2	82,1	83,2	84,1	86,2	87,5	88,2	84,9	81,0				124,9
JET 0	4000	74,5	77,5	78,6	79,4	80,2	80,9	81,7	83,1	83,9	85,5	86,6	86,6	83,1	80,4				124,2
DIAMETER RATIO	5000	74,9	77,9	78,5	79,5	80,4	81,2	82,7	84,2	84,7	86,1	87,4	87,3	83,6	81,7				124,9
DF/DH 1.00	6300	75,5	78,8	79,0	80,3	81,3	82,4	82,9	84,6	85,2	86,1	87,1	87,1	84,5	82,5				125,3
	8000	74,8	79,3	79,8	80,1	81,6	83,2	83,5	85,0	85,3	86,7	86,0	86,5	84,2	83,2				125,6
	10000	73,7	79,1	80,1	80,7	82,4	83,1	83,4	84,7	85,8	87,1	87,1	85,4	83,4	83,0				126,1
	12500	71,6	77,9	79,7	79,4	81,3	82,1	83,1	84,0	84,2	85,0	85,7	84,4	82,6	81,5				125,2
	16000	69,7	76,3	77,3	77,6	80,0	80,5	81,4	82,7	82,7	83,3	83,5	82,5	80,0	78,6				123,9
	20000	66,6	73,6	74,1	75,4	77,1	77,3	78,4	79,5	80,6	81,1	81,2	79,0	77,3	75,3				121,6
	25000	64,0	71,0	72,5	72,8	75,1	75,1	76,0	77,2	78,2	78,5	78,5	76,6	75,2	73,5				119,7
	31500	60,5	67,5	68,6	68,8	71,1	72,1	73,2	74,6	75,0	75,8	75,7	74,0	72,6	71,2				117,3
	40000	58,4	64,8	65,3	66,1	67,4	68,0	68,7	70,8	71,9	72,2	73,7	71,6	70,6	70,8				115,0
	50000	56,0	61,7	62,7	62,7	63,1	65,7	66,4	68,9	68,6	70,3	73,5	72,7	71,3	72,9				114,9
	63000	54,6	58,8	59,2	59,6	59,7	64,4	65,4	68,2	66,9	70,1	75,6	74,6	73,3	75,1				117,6
	80000	54,5	56,4	56,4	56,4	57,9	66,0	66,1	68,8	66,9	72,0	77,3	76,8	75,0	76,7				122,2
OVERALL MEASURED																			
OVERALL CALCULATED		91,0	92,0	93,0	92,9	93,9	94,9	95,9	97,5	99,0	100,7	102,5	105,5	107,2	108,0				141,8
PNDB		102,1	103,8	104,7	105,0	105,7	106,6	107,6	109,0	110,2	112,0	113,6	115,5	115,3	115,5				

ORIGINAL PAGE IS
 OF POOR QUALITY

MODELL SOUND PRESSURE LEVELS (59 DEG F; 70 PERCENT REL HUM; DAY -- JENOTS)

		ANGLES FROM INLET IN DEGREES (AND RADIANS)															PWL:		
		30	40	50	60	70	80	90	100	110	120	130	140	150	160	0	0	0	
REV, ALPHA 12773	FREQ	(0.52)	(0.70)	(0.87)	(1.05)	(1.22)	(1.40)	(1.57)	(1.75)	(1.92)	(2.09)	(2.27)	(2.44)	(2.62)	(2.79)	(0.)	(0.)	(0.)	
	50	65.8	69.8	69.6	68.4	67.5	67.8	68.1	68.3	68.1	69.8	71.0	73.3	76.6	81.5				112.6
RDG; NO, 0	63	87.1	72.3	70.2	69.7	68.5	68.4	70.0	70.2	70.4	71.1	73.3	76.1	79.5	83.1				114.9
RADIAL: 40, FT.	80	68.1	70.9	70.3	69.9	69.3	69.4	71.1	71.8	72.3	73.6	76.2	79.9	82.5	86.4				117.1
(12. M)	100	68.7	71.2	71.4	71.7	71.2	72.2	74.5	73.6	76.0	77.2	79.4	84.3	88.0	88.9				120.8
VEHICLE JENOTS:	125	72.0	73.2	72.2	72.5	72.2	75.2	77.4	77.7	78.5	80.2	82.7	86.9	89.8	92.0				123.3
CONFIG JE-056	160	78.2	78.4	75.9	76.2	75.9	79.2	80.4	79.9	82.4	83.2	84.7	88.2	90.9	92.6				124.9
LOC EVENDALE	200	78.5	78.5	76.0	77.5	77.3	79.5	80.0	81.0	82.8	85.3	88.3	92.4	95.0	96.5				128.3
DATE 04-22-75	250	81.5	81.0	80.0	79.8	79.8	80.8	81.8	83.0	89.0	89.0	92.5	95.0	98.4	99.1				131.5
RUN DBTF-MODEL 2	313	84.0	81.8	82.3	82.8	83.3	84.5	83.5	87.5	89.3	92.3	95.5	98.4	102.4	105.0				135.6
TAPE X20480	400	80.7	78.7	82.6	80.7	81.9	82.7	84.8	86.6	90.1	92.8	93.3	100.5	103.5	102.9				135.6
BAR 29.9 HG	500	82.8	81.8	82.6	80.5	81.2	82.9	84.7	86.2	87.2	89.4	92.5	99.9	102.3	100.6				134.3
(01039, N/M2)	630	82.6	82.5	82.2	81.0	82.5	82.8	84.9	86.6	88.9	89.7	94.2	100.3	102.2	102.3				134.9
TAMP 59, DEG F	800	82.2	81.4	82.9	82.3	83.3	83.5	84.9	87.6	89.3	92.0	94.7	98.8	99.5	102.5				134.0
(288, DEG K)	1000	82.8	81.6	82.5	82.2	83.3	84.7	86.2	87.6	89.6	92.1	94.7	97.2	98.1	98.2				132.6
THET 53, DEG F	1250	81.5	81.4	82.4	82.5	83.2	84.7	86.2	87.9	89.2	92.1	95.3	98.0	95.9	94.4				132.1
(285, DEG K)	1600	80.3	82.0	82.2	82.3	83.6	85.0	86.0	87.3	88.9	91.3	94.1	94.7	92.9	91.2				130.3
HACT 8.91 GM/M3	2000	80.9	80.9	80.0	82.9	84.2	84.6	85.6	86.4	88.5	90.9	93.0	93.8	90.9	89.1				129.5
(00891 KG/M3)	2500	79.1	80.6	81.0	81.0	81.6	82.7	84.7	85.7	87.8	89.4	91.0	92.2	88.0	85.8				127.9
FREQ. SHIFT	3150	77.6	80.0	80.3	80.8	81.7	82.7	84.1	85.4	86.6	88.9	89.7	90.4	86.9	84.0				127.0
JET 0	4000	75.8	78.5	79.1	79.9	80.7	82.2	83.0	84.8	85.9	88.3	87.6	87.6	83.9	80.9				125.6
DIAMETER RATIO	5000	75.4	78.4	78.0	79.0	80.4	81.5	82.9	84.4	86.2	87.9	87.9	86.5	82.6	80.2				125.4
DF/DH 1.00	6300	75.2	77.8	78.7	79.1	80.6	81.7	82.4	84.3	85.2	86.9	86.6	85.4	81.8	79.0				124.8
	8000	73.5	77.8	78.6	78.8	80.6	81.9	81.8	83.5	84.8	85.5	85.0	84.0	80.7	78.9				124.2
	10000	72.7	77.1	78.1	79.0	79.9	80.6	80.9	82.7	84.1	85.6	84.8	82.7	79.1	77.7				123.9
	12500	70.1	75.4	76.7	77.2	78.6	79.3	80.6	81.0	82.4	83.3	83.4	80.6	77.3	76.0				122.6
	16000	68.2	72.8	74.0	74.1	77.0	77.3	78.9	79.7	80.7	81.3	80.2	78.3	74.8	72.9				121.0
	20000	65.6	70.1	70.8	71.6	73.9	73.8	75.9	76.7	78.6	78.1	78.0	75.2	73.0	71.1				118.6
	25000	62.3	68.0	69.0	69.3	70.6	71.1	73.2	74.7	75.7	76.0	75.5	73.1	71.7	71.2				116.8
	31500	59.2	64.8	65.1	65.8	66.8	68.9	70.0	72.1	72.3	73.0	73.7	70.8	70.6	69.7				114.6
	40000	56.6	62.1	62.3	62.9	63.7	64.2	66.2	68.3	69.2	69.7	72.2	69.1	69.8	70.6				112.7
	50000	55.5	59.2	59.2	60.5	60.4	61.2	64.4	66.9	66.4	69.3	73.5	71.0	71.8	72.7				113.8
	63000	54.3	57.0	58.9	58.4	58.9	57.9	64.7	67.2	65.9	70.1	75.9	73.3	74.5	75.6				117.5
	80000	54.8	55.9	55.2	56.7	58.2	56.8	66.3	69.0	66.0	72.2	77.3	75.5	76.5	77.0				122.1
OVERALL MEASURED		93.2	93.4	93.9	93.9	94.9	95.9	97.1	98.7	100.7	102.8	105.1	108.7	110.4	111.0				144.3
OVERALL CALCULATED		103.9	104.3	105.6	105.9	106.8	107.9	109.1	110.6	112.3	114.3	115.8	117.7	118.0	118.0				

148

243

REV. ALPHA 12/73	FREQ.	ANGLES FROM INLET IN DEGREES (AND RADIANS)																	PWL
		30 (0.52)	40 (0.70)	50 (0.87)	60 (1.05)	70 (1.22)	80 (1.40)	90 (1.57)	100 (1.75)	110 (1.92)	120 (2.09)	130 (2.27)	140 (2.44)	150 (2.62)	160 (2.79)	0 (0.)	0 (0.)	0 (0.)	
NO EGA	50	63.6	64.6	65.9	65.4	66.0	66.6	68.6	67.8	67.9	68.3	70.5	73.0	75.8	79.5				111.2
RDG. NO. 0	63	66.3	67.3	67.7	67.5	68.3	69.2	70.0	69.7	71.1	72.1	73.8	76.9	79.7	83.1				114.5
RADIAL 40 FT.	80	67.4	68.4	68.3	67.6	68.8	69.7	72.1	72.1	72.8	74.1	76.7	80.4	82.3	86.1				117.1
(12. M)	100	69.2	69.7	71.2	70.9	71.2	72.7	75.2	76.1	76.5	77.9	80.4	84.3	88.3	88.7				121.0
VEHICLE JENOTS.	125	73.2	72.7	72.7	72.5	72.7	76.0	77.7	77.7	78.7	81.0	83.0	86.9	89.3	92.3				123.4
CONFIG JE-056	160	79.2	76.7	75.9	76.7	76.9	80.2	81.1	80.2	83.7	83.9	85.9	89.2	91.6	93.9				125.9
LOC EVENDALE	200	79.3	79.5	77.5	78.5	78.8	81.0	81.3	82.3	84.3	87.0	89.8	94.6	96.2	98.5				130.0
DATE 04-22-75	250	81.8	82.0	80.8	81.0	81.3	81.5	82.8	84.0	90.3	90.5	94.8	96.5	99.7	100.1				132.8
RUN DBTF=MODEL 2.	315	85.5	83.3	83.5	84.5	85.0	86.0	85.0	89.0	91.0	95.3	98.5	99.9	103.9	106.3				137.2
TAPE X20490	400	82.4	80.5	83.1	82.7	83.9	84.2	86.6	87.8	91.1	94.6	95.3	102.3	104.7	103.4				136.9
BAR 29.9 HG	500	86.1	85.6	85.3	83.5	84.5	84.6	87.0	89.0	90.2	92.7	95.7	104.4	106.3	102.8				138.0
(01039, N/M2)	630	86.3	85.7	85.5	84.0	85.0	85.0	87.6	89.6	91.7	93.5	98.0	104.1	105.9	105.1				138.3
TAMB 59. DEG F	800	86.0	85.9	86.4	85.3	86.0	86.3	87.4	90.4	91.5	94.3	98.5	102.3	103.7	105.5				137.5
(288, DEG K)	1000	86.8	84.9	85.8	85.1	86.3	87.4	89.4	90.6	92.1	95.6	98.5	100.2	101.4	102.2				135.9
THET 53. DEG F	1250	84.5	84.4	85.1	85.8	86.7	87.7	89.4	91.2	92.4	95.6	99.3	101.2	99.2	98.9				135.6
(285, DEG K)	1600	82.8	84.7	84.9	85.0	86.6	88.0	89.3	90.5	92.1	94.3	97.9	98.0	97.4	96.7				133.9
HACT 8.91 GM/M3	2000	84.1	83.6	83.6	85.4	86.8	87.9	88.6	90.1	91.8	93.7	96.7	97.0	95.6	94.8				133.0
(.00891 KG/M3)	2500	81.9	83.4	83.8	83.3	84.9	86.0	87.8	89.7	91.1	93.9	94.3	95.7	92.5	90.8				131.6
FREQ. SHIFT	3150	80.1	82.5	82.9	83.8	84.2	85.9	87.4	88.7	90.1	92.9	93.5	94.2	90.9	89.5				130.7
JET 0	4000	78.3	80.6	81.3	82.2	83.5	85.2	86.2	87.8	89.7	91.5	91.4	91.2	87.7	85.6				129.0
DIAMETER RATIO	5000	77.9	79.9	80.0	81.3	82.7	84.0	85.9	87.7	89.7	91.2	90.9	89.5	86.2	82.8				128.4
DF/DM 1:00	6300	76.5	79.3	79.5	80.8	82.6	84.2	84.6	86.4	88.3	89.4	89.1	87.9	83.8	80.1				127.2
	8000	75.6	78.9	78.9	80.1	81.8	83.2	83.8	86.0	87.1	88.2	87.7	86.3	81.7	78.5				126.3
	10000	73.9	77.4	78.2	79.0	80.9	81.8	82.7	84.5	86.3	86.9	86.6	84.4	79.9	76.0				125.4
	12500	72.6	75.9	76.7	77.7	79.6	79.8	81.4	83.2	84.7	85.8	84.7	82.6	77.3	74.7				124.2
	16000	70.0	73.2	74.7	75.3	78.0	78.3	79.4	81.6	82.9	83.5	82.9	80.2	74.7	71.6				122.7
	20000	67.2	71.3	72.2	73.0	74.8	76.0	77.3	78.9	81.2	81.5	80.9	77.9	72.7	70.5				121.0
149	25000	65.3	68.7	70.0	70.8	72.6	73.6	75.2	77.0	79.0	79.1	78.0	75.4	72.3	71.0				119.2
	31500	62.1	66.4	66.7	68.2	69.0	71.0	72.6	74.8	76.7	76.9	76.0	72.9	70.9	69.8				117.4
	40000	61.0	64.5	64.5	66.0	66.6	67.9	68.6	71.0	73.9	74.4	73.6	71.5	70.2	71.2				115.6
	50000	62.4	63.6	63.3	64.6	65.0	65.6	66.3	68.8	73.0	74.9	73.9	73.7	72.0	73.1				116.6
	63000	64.0	63.9	63.6	65.1	65.6	64.9	65.6	68.9	74.1	77.5	75.6	75.8	74.5	75.8				120.2
	80000	65.8	64.4	64.0	65.5	66.7	66.3	66.6	69.1	75.2	79.5	76.8	77.3	76.8	77.5				124.8
OVERALL MEASURED																			
OVERALL CALCULATED		95.9	95.8	96.1	96.2	97.3	98.3	99.7	101.5	103.3	105.7	108.4	111.8	113.3	113.2				147.1
PNDB		106.5	107.4	107.8	108.3	109.2	110.6	111.9	113.5	115.2	117.6	119.1	120.8	120.9	120.3				

SIGNAL FAGER IS OF POOR QUALITY

MODEL SOUND PRESSURE LEVELS (59' DEG. F, 70 PERCENT REL. HUM, DAY - JENOTS)
 PROC. DATE = MONTH 5 DAY 3 HR: 15:8

ANGLES FROM INLET IN DEGREES (AND RADIANS)

REV. ALPHA 12/73	FREQ.	30° (0.52)	40° (0.70)	50° (0.87)	60° (1.05)	70° (1.22)	80° (1.40)	90° (1.57)	100° (1.75)	110° (1.92)	120° (2.09)	130° (2.27)	140° (2.44)	150° (2.62)	160° (2.79)	0° (0.0)	0° (0.0)	0° (0.0)	PWL
NO EGA	50	64.1	52.3	68.6	67.2	66.7	66.3	66.9	67.0	68.6	87.1	71.8	74.3	77.3	81.0				118.3
RDG. NO. 0	63	65.8	53.3	68.7	68.2	68.3	67.4	69.0	69.4	70.6	89.3	74.6	77.1	80.5	83.1				120.6
RADIAL 40' FT.	80	67.9	54.9	70.8	69.9	69.3	69.4	71.1	71.3	72.8	94.1	78.2	81.1	83.5	86.6				125.1
{ 12' 4 }	100	69.9	56.4	72.7	71.2	70.4	72.2	74.7	75.8	77.5	93.7	81.2	85.3	88.8	90.7				125.8
VEHICLE JENOTS	125	73.0	57.7	72.7	73.5	72.5	74.7	77.7	78.0	79.7	97.7	83.7	87.4	90.3	93.3				129.3
CONFIG JE 056	160	78.7	61.2	75.9	76.7	76.2	78.7	81.4	79.9	83.7	98.9	87.4	90.7	93.4	98.1				131.4
L.C. EVEN DALE	200	79.5	64.5	76.8	78.0	78.3	80.0	81.0	82.0	84.5	92.5	91.3	95.1	97.0	101.5				131.8
DATE 04-22-75	250	81.0	66.8	80.0	81.0	80.3	80.8	82.5	84.0	90.5	92.0	95.5	97.0	100.4	100.4				133.4
RLN DBTF-MODEL 2	315	84.5	67.8	82.3	83.8	84.0	85.0	84.3	88.3	91.0	95.3	98.8	99.9	103.9	107.5				137.1
TAPE X20500	400	81.9	65.0	81.1	81.9	82.4	82.0	85.3	87.1	90.6	94.8	95.3	101.3	103.7	102.9				136.1
BAR 29.9 HG	500	85.3	69.6	84.1	81.5	82.5	83.1	86.0	88.0	90.2	93.2	96.0	103.9	106.1	102.1				137.6
401039, N/12	630	85.8	69.5	84.5	82.7	83.7	83.8	86.4	88.1	91.4	94.0	97.7	102.6	104.7	103.8				137.2
TAMB 59' DEG F	800	85.0	69.2	84.4	84.3	84.8	84.5	86.4	89.4	91.5	95.0	98.0	101.8	102.7	104.2				136.7
(288' DEG K)	1000	85.1	68.4	85.3	84.9	84.5	85.4	87.7	89.2	91.9	95.3	97.5	99.6	99.6	99.9				134.7
THET 53' DEG F	1250	83.2	68.2	84.1	84.0	84.7	85.4	87.9	89.7	92.2	95.4	97.8	100.7	98.7	97.2				133.0
(285' DEG K)	1600	82.3	68.5	83.9	84.0	84.8	85.7	87.8	89.0	91.3	94.0	97.1	97.7	96.4	94.2				131.9
MACT 8.91 GM/M3	2000	82.8	67.3	82.3	84.4	85.7	86.1	86.3	88.8	91.0	93.4	95.9	96.0	94.3	93.0				130.4
4.00891 KG/M3	2500	80.8	67.0	83.0	81.9	83.3	83.9	85.7	87.9	90.5	92.8	94.0	94.4	90.9	89.0				129.3
FREQ. SHIFT	3150	79.3	66.4	81.5	82.4	83.0	83.8	85.0	86.6	89.3	91.8	92.6	92.8	89.5	88.8				127.8
JET 0	4000	77.6	65.1	80.4	81.0	82.3	83.0	84.3	86.1	88.7	90.8	91.0	89.5	85.7	84.4				127.5
DIAMETER RATIO	5000	76.9	64.7	79.8	80.5	81.7	82.8	84.7	86.2	88.7	90.7	91.1	89.3	84.4	81.8				127.0
DF/DM 1.00	6300	75.9	64.5	80.1	80.5	81.8	83.1	83.8	85.8	88.4	89.6	89.5	87.6	83.7	81.0				126.1
150	8000	75.3	64.1	79.9	80.9	81.9	82.7	83.1	85.0	86.9	88.5	87.5	85.8	82.0	80.2				125.7
	10000	74.1	63.8	79.5	80.1	81.0	82.2	82.8	84.8	86.7	87.7	86.4	84.0	81.0	79.9				124.8
	12500	71.8	62.9	78.7	79.0	80.4	80.8	81.9	83.5	84.7	86.3	85.9	82.9	79.6	77.7				122.8
	16000	68.9	60.5	75.7	76.5	78.5	78.7	79.8	81.8	82.9	83.5	82.7	80.2	77.2	74.3				120.8
	20000	65.9	58.0	72.7	73.8	76.0	76.0	77.1	78.6	81.0	81.5	80.1	77.1	73.9	71.2				118.5
	25000	62.4	57.9	70.4	71.5	72.2	73.0	74.4	76.1	77.9	78.9	76.9	74.3	72.2	69.6				116.0
	31500	58.8	55.8	66.6	67.6	68.9	70.2	71.0	73.2	73.9	75.8	74.7	72.1	70.4	67.5				114.4
	40000	55.8	57.0	64.5	65.0	65.6	65.9	66.8	69.5	70.3	75.6	71.3	70.5	69.2	68.7				118.3
	50000	54.3	59.3	61.8	63.1	63.0	63.5	64.3	67.0	67.5	81.4	72.4	72.4	70.7	70.3				122.5
	63000	54.6	61.6	61.5	63.2	63.2	62.5	63.5	66.3	65.0	84.1	74.2	74.9	73.1	73.7				123.6
	80000	55.3	62.4	61.4	63.7	63.9	64.0	64.9	66.8	64.2	80.2	75.8	76.3	74.8	75.5				146.8
OVERALL MEASURED		95.0	80.2	95.2	95.4	96.1	96.7	98.4	100.3	102.9	107.7	108.0	111.1	112.6	113.0				
OVERALL CALCULATED		105.6	91.5	107.0	107.3	108.1	108.8	110.2	112.1	114.7	118.3	118.8	120.0	120.4	120.4				



★ 10 dB TOO LOW

250

MODEL: SOUND PRESSURE LEVELS (59. DEG. F; 70 PERCENT REL. HUM; DAY - JENOTS)

REV; ALPHA 12/73	FREQ;	ANGLES FROM INLET IN DEGREES (AND RADIANS)																PHLI
		30, (0.52)	40, (0.70)	50, (0.87)	60, (1.05)	70, (1.22)	80, (1.40)	90, (1.57)	100, (1.75)	110, (1.92)	120, (2.09)	130, (2.27)	140, (2.44)	150, (2.62)	160, (2.79)	0, (0.)	0, (0.)	
NO EGA	50	65,1	66,1	66,1	65,7	66,2	66,3	66,6	66,8	67,9	69,3	71,8	74,8	78,1	80,5			112,2
RDG. NO.	63	66,6	71,3	68,4	68,5	69,0	69,2	69,3	69,4	69,9	72,1	74,6	78,1	81,2	87,3			116,6
RADIAL: 40, FT;	80	69,4	70,1	70,3	69,1	70,3	70,9	72,1	72,1	73,3	75,1	78,2	82,4	84,8	88,1			118,9
(12, M)	100	70,7	71,4	73,2	72,9	72,9	73,9	75,7	76,6	77,5	78,9	81,7	86,5	90,3	90,7			122,8
VEHICLE JENOTS	125	74,2	74,2	73,7	74,0	74,0	76,7	79,4	79,0	80,5	82,2	84,7	88,9	91,5	94,0			125,2
CONFIG JE-056	160	80,4	78,2	76,9	77,7	78,4	80,9	82,4	81,9	84,4	85,4	87,4	91,4	93,6	94,9			127,5
LOC EVENDALE	200	80,3	80,0	78,0	79,0	79,3	81,3	82,3	82,8	84,8	87,5	90,8	95,1	97,2	98,5			130,5
DATE 04-22-75	250	82,8	82,5	81,5	81,0	81,8	82,5	83,3	84,5	85,5	87,0	91,0	94,5	97,8	100,7	100,1		133,4
RUN DBTF-MODEL 2:	315	85,3	83,5	84,0	84,3	84,8	86,2	85,5	87,0	91,0	94,5	97,8	99,6	104,2	105,3			136,8
TAPE X20510	400	82,2	80,2	85,6	82,4	83,4	84,0	86,3	87,8	91,1	93,8	94,5	100,8	104,0	102,1			135,9
BAR 29,9 HG	500	84,3	84,1	84,1	82,3	84,0	85,1	86,7	88,2	90,2	91,9	95,7	103,1	105,6	101,3			137,1
(01039, N/M2)	630	84,3	83,7	84,0	83,0	84,2	85,0	86,9	89,1	91,2	92,2	97,2	102,8	104,9	102,1			137,0
TAMB 59, DEG F	800	83,7	83,9	84,4	84,0	85,0	85,0	86,9	89,1	90,8	94,0	97,7	101,8	102,2	103,5			136,3
(288, DEG K)	1000	84,1	82,9	83,8	83,7	84,8	86,2	88,2	89,3	91,4	93,8	97,0	98,7	98,8	98,2			133,9
THET 53, DEG F	1250	82,5	83,2	84,4	83,8	84,7	85,9	87,7	89,4	90,9	94,4	97,8	99,7	95,9	95,7			133,8
(285, DEG K)	1600	81,3	83,0	83,9	84,0	85,1	86,2	88,3	89,0	90,6	93,3	95,8	96,5	93,4	91,2			131,9
HACT 8.91 GM/M3	2000	81,9	82,6	82,5	85,2	86,2	86,6	86,5	88,6	90,7	92,4	94,9	95,0	91,6	90,0			131,1
(.00891, KG/M3)	2500	80,8	82,6	83,5	83,0	83,6	85,2	86,5	88,2	89,6	92,1	93,0	93,5	89,2	86,5			129,8
FREQ. SHIFT	3150	79,6	81,2	82,5	83,0	83,9	84,6	85,5	87,7	88,8	90,9	91,9	92,1	87,3	85,2			128,9
JET	4000	77,9	80,7	82,0	82,6	83,4	84,6	85,6	87,0	88,6	90,2	90,6	90,3	86,8	83,3			128,2
DIAMETER RATIO	5000	77,8	81,1	82,2	82,6	83,6	84,6	86,1	87,6	89,1	91,0	90,8	89,9	87,3	84,9			128,6
DF/DH 1.00	6300	77,8	81,4	82,3	83,2	84,5	86,5	86,2	87,7	89,1	91,0	90,7	90,3	87,9	85,4			129,0
	8000	77,6	81,9	82,7	83,6	85,2	86,5	86,6	88,3	89,1	90,3	90,3	90,6	88,3	86,5			129,3
	10000	77,2	81,9	83,4	84,2	85,4	86,3	86,7	88,5	89,6	90,9	88,9	89,2	88,2	87,0			129,5
	12500	75,1	81,1	83,0	83,4	85,3	86,3	86,6	87,5	88,2	90,3	88,9	88,6	87,3	85,5			129,2
	16000	73,2	79,0	80,5	81,1	84,0	84,3	85,4	86,6	87,2	87,6	87,0	87,0	85,0	83,1			127,9
	20000	70,3	77,1	78,1	79,1	80,6	80,8	82,2	84,0	85,6	85,1	84,5	84,0	81,8	79,3			125,7
1ST	25000	67,5	74,7	76,0	77,3	77,8	79,6	79,5	81,5	82,3	82,8	81,5	81,2	79,5	76,7			123,7
	31500	63,9	71,4	72,5	73,9	74,7	76,0	77,4	79,3	78,9	80,4	78,8	78,2	76,7	73,6			121,4
	40000	62,0	68,7	69,7	71,5	72,1	72,4	73,6	75,7	76,3	77,4	76,1	74,5	73,9	72,7			119,1
	50000	58,6	66,8	67,3	68,4	69,0	69,6	70,6	72,5	72,6	74,2	75,7	74,7	74,3	73,6			118,4
	63000	56,7	63,7	65,6	67,1	67,4	68,9	67,3	70,4	70,1	77,8	76,6	75,8	75,5	75,5			120,5
	80000	55,2	64,8	64,1	65,6	67,1	66,7	67,0	69,7	67,1	79,3	77,6	77,9	76,9	77,3			124,5
OVERALL MEASURED																		
OVERALL CALCULATED		94,8	95,5	96,4	96,5	97,6	98,7	99,7	101,3	103,1	105,3	107,6	110,9	112,5	111,5			146,4
PNDP		103,7	107,1	108,0	108,2	109,2	110,2	111,3	113,0	114,6	116,7	118,2	119,8	120,2	119,1			

ORIGINAL PAGE IS OF POOR QUALITY

REV. ALPHA 12/73	FREQ.	ANGLES FROM INLET IN DEGREES (AND RADIANS)																PWL	
		30	40	50	60	70	80	90	100	110	120	130	140	150	160	0	0		0
NO EGA	50	74.1	74.3	74.9	76.4	76.7	75.6	75.9	76.8	77.4	84.1	82.0	85.5	89.6	94.0				124.1
RDG. NO. 0	63	77.6	77.8	77.7	78.7	79.0	78.2	79.3	79.4	79.9	86.6	85.8	89.4	95.2	96.3				127.6
RADIAL 40, FT.	80	80.9	80.9	80.8	80.1	81.3	81.4	82.6	82.6	83.8	89.6	89.7	93.9	96.3	99.4				130.4
(12. M)	100	83.7	83.7	84.2	83.9	83.4	84.7	87.0	87.6	88.0	93.4	93.4	98.5	102.3	103.4				135.0
VEHICLE JENOTS	125	86.5	85.0	85.7	86.0	86.0	88.0	89.9	90.2	91.5	96.0	96.5	101.1	103.5	105.5				137.1
CONFIG JE-058	160	91.2	89.4	88.7	88.4	89.4	90.9	92.6	92.7	95.2	97.9	98.7	102.9	105.6	106.6				139.0
LQC EVENDALE	200	90.8	90.3	88.0	89.5	89.8	92.3	92.3	92.5	94.8	100.0	102.6	107.9	109.0	110.8				142.5
DATE 04-22-75	250	92.8	93.0	91.3	92.3	91.5	93.3	92.8	93.5	99.5	101.3	105.5	110.0	112.2	109.6				144.5
RON DBTF-MODEL 2.	315	94.5	92.3	92.0	93.3	93.5	94.7	93.0	96.8	97.5	102.5	107.3	110.4	114.2	113.8				146.3
TAPE X20526	400	92.2	89.7	91.8	92.7	93.9	94.2	95.3	96.8	100.1	103.6	105.0	112.3	115.7	111.4				146.9
BAR 29.9 HG	500	95.3	95.6	95.1	93.3	94.2	95.0	97.0	99.0	100.4	103.2	107.0	114.9	116.3	114.1				148.4
(01039 N/M2)	630	98.1	96.2	95.5	94.2	95.0	95.5	97.4	98.9	101.4	104.0	108.5	114.8	118.2	114.8				149.4
TAMB 59, DEG F	800	95.7	95.7	95.9	96.0	96.5	96.5	97.9	100.6	102.0	106.5	109.2	113.5	115.0	115.5				148.3
(288, DEG K)	1000	96.3	94.1	95.0	94.9	95.8	96.9	98.2	99.8	103.4	106.6	108.5	110.9	112.4	111.2				146.2
THET 53, DEG F	1250	94.0	94.4	94.6	94.8	95.7	97.2	98.4	100.4	101.7	105.6	108.8	110.7	108.9	107.4				145.1
(285, DEG K)	1600	92.8	92.2	94.2	94.5	96.1	97.5	98.8	100.0	101.8	105.0	107.6	107.7	106.4	105.0				143.6
HACT 8.91 GM/M3	2000	93.1	93.3	93.0	95.9	96.2	97.6	98.0	99.8	101.5	104.1	106.2	106.5	105.1	103.0				142.6
(.00891 KG/M3)	2500	91.8	93.3	94.5	94.2	95.1	96.7	98.5	99.4	101.6	104.1	104.3	105.2	102.9	100.8				141.7
FREQ. SHIFT	3150	91.6	90.9	94.8	95.2	95.9	97.6	98.0	99.4	101.6	103.9	104.2	105.1	102.6	100.6				141.7
JET 0	4000	90.2	93.2	94.0	94.8	96.2	97.6	98.4	100.0	102.1	103.9	104.1	104.3	102.1	99.8				141.7
DIAMETER. RATIO	5000	91.0	94.0	94.1	95.6	96.3	98.1	99.6	101.1	103.4	105.0	105.0	105.9	103.3	100.9				142.8
DF/DM 1.00	6300	91.3	94.1	95.1	95.9	96.9	99.8	99.7	101.9	103.1	105.5	105.9	107.2	104.9	102.4				143.8
	8000	91.6	94.9	95.6	96.8	98.4	99.9	99.8	101.8	103.3	105.2	106.0	107.6	105.5	104.0				144.3
	10000	92.4	95.9	96.6	97.9	98.4	99.3	99.9	102.2	104.5	105.3	105.5	107.4	105.3	103.9				144.7
	12500	92.0	95.3	99.2	98.6	99.5	99.8	100.3	101.4	102.6	104.7	104.9	106.1	104.5	102.7				144.5
	16000	91.4	94.5	100.5	99.5	99.2	99.0	99.3	100.8	101.4	102.5	102.7	104.0	102.2	100.3				143.6
	20000	89.0	97.1	98.3	99.1	98.8	98.0	97.9	98.9	99.6	99.8	100.7	101.2	99.5	97.3				142.2
	25000	85.3	92.7	94.5	95.8	96.6	96.3	95.7	96.0	97.5	97.8	98.0	98.4	97.5	94.7				140.2
	31500	82.1	89.9	91.0	91.7	91.5	93.1	92.9	93.6	94.2	95.7	95.6	95.9	95.7	91.9				137.8
	40000	79.8	85.8	88.0	89.3	88.4	88.7	88.9	89.5	92.6	92.7	92.6	92.8	93.7	90.5				135.6
	50000	79.1	83.8	85.3	85.8	86.0	85.8	86.0	87.2	91.2	93.9	92.1	92.8	92.2	90.5				135.6
	63000	80.9	82.4	83.3	84.0	84.0	83.3	83.8	85.8	91.6	95.2	93.0	93.2	92.7	92.0				137.8
	80000	81.3	82.1	81.4	82.7	83.5	83.1	83.6	85.3	92.0	96.7	93.8	94.8	94.0	93.2				141.8
OVERALL MEASURED																			
OVERALL CALCULATED		106.9	108.6	109.1	109.5	110.1	111.0	111.7	113.3	115.2	117.8	119.6	123.1	124.7	123.0				158.8
PND8		117.7	119.0	119.5	120.1	120.9	122.4	123.3	124.8	126.9	129.4	130.5	132.7	133.4	131.5				

152

252-

REV, ALPHA 12/73	FREQ.	ANGLES FROM INLET IN DEGREES (AND RADIANS)																		PWL
		30. (0.52)	40. (0.70)	50. (0.87)	60. (1.05)	70. (1.22)	80. (1.40)	90. (1.57)	100. (1.75)	110. (1.92)	120. (2.09)	130. (2.27)	140. (2.44)	150. (2.62)	160. (2.79)	180. (3.14)	190. (3.32)	200. (3.49)		
NO EGA	50	70.1	78.6	69.9	69.4	69.7	70.3	70.1	72.3	71.6	75.8	75.0	83.0	83.8	84.2				117.5	
RDG, NO.	63	72.3	73.3	71.9	71.7	72.0	72.7	73.0	74.7	74.1	78.8	78.6	84.9	92.5	88.3				122.7	
RADIAL 40, FT.	80	74.4	75.1	74.3	73.9	73.8	74.7	75.6	76.8	77.6	80.9	82.7	88.9	89.8	92.6				123.9	
(12, M)	100	76.7	78.4	77.4	76.7	75.7	77.9	79.7	82.1	82.0	84.9	86.4	93.3	95.3	96.4				128.3	
VEHICLE JENOTS:	125	79.2	78.7	78.0	78.7	78.7	78.7	78.7	81.5	83.4	84.7	84.7	88.2	89.2	96.6				131.0	
CONFIG JE-058	160	84.9	82.2	81.9	81.7	82.4	84.7	86.6	86.7	88.4	90.9	91.4	98.9	99.1	100.6				133.2	
LOG EVENDALE	200	85.3	84.0	82.0	83.3	83.5	86.3	85.8	87.0	88.5	92.0	95.1	100.6	102.0	104.0				135.5	
DATE 04-22-75	250	87.0	86.5	85.0	86.0	85.3	86.5	86.5	88.0	93.0	94.8	99.0	102.8	105.7	104.9				138.8	
RUN DBTF-MODEL 2:	315	88.5	86.5	87.3	88.0	88.5	89.0	87.3	92.0	93.3	97.5	101.8	104.6	108.4	110.5				141.3	
TAPE X20538	400	85.7	88.7	87.3	86.7	87.2	88.2	89.8	91.3	93.8	98.1	99.5	107.0	109.7	107.6				141.4	
BAR 29.9 HG	500	90.1	89.3	89.3	87.0	88.0	89.4	90.5	93.2	94.4	96.4	100.5	108.4	110.1	107.1				142.0	
(01039, N/M2)	630	90.3	89.5	89.0	87.5	88.5	89.3	91.6	92.9	95.7	97.5	102.7	109.8	111.2	108.3				143.3	
TAMD 59, DEG F	800	89.2	88.7	89.9	88.8	89.8	90.3	90.9	94.1	95.5	99.5	103.0	108.3	108.0	109.7				142.2	
(288, DEG K)	1000	89.3	87.4	89.3	88.7	89.5	91.2	92.4	94.1	95.9	99.6	103.5	108.4	105.9	105.7				140.6	
TWET 53, DEG F	1250	88.0	87.7	88.6	88.3	89.0	90.9	91.9	93.9	95.4	99.4	103.6	107.0	104.2	102.2				140.1	
(285, DEG K)	1600	86.6	87.7	88.2	88.2	89.6	91.2	92.0	94.0	95.3	98.3	101.8	103.0	101.4	99.5				137.9	
HACT 8.91 GM/M3	2000	87.3	87.1	87.0	89.7	90.2	91.1	91.3	92.8	95.0	97.6	100.4	101.5	99.9	97.3				136.8	
(.00891 KG/M3)	2500	85.6	87.1	88.3	87.5	88.6	89.9	90.7	92.2	94.8	97.1	98.3	99.4	96.4	93.5				135.1	
FREQ, SHIFT	3150	85.1	87.7	88.3	88.2	89.1	90.3	91.0	92.1	93.8	97.4	97.2	98.1	94.8	92.1				134.6	
JET 0	4000	83.2	86.4	87.5	88.0	88.6	90.6	90.9	92.4	93.8	96.6	96.3	96.0	92.5	90.0				133.9	
DIAMETER RATIO	5000	83.8	87.3	87.4	87.4	89.3	90.8	91.8	93.3	94.6	97.0	97.0	96.6	92.8	91.1				134.5	
DF/DM 1.00	6300	84.5	88.3	89.3	89.6	90.6	92.7	92.4	93.6	95.1	97.7	97.1	97.4	95.1	93.8				135.5	
	8000	85.3	89.3	89.8	90.3	92.1	93.6	93.0	94.7	96.5	98.9	98.0	98.5	96.4	96.4				136.8	
	10000	86.1	89.5	91.0	91.1	93.0	94.2	93.8	95.6	96.2	98.2	98.0	99.6	97.5	97.9				137.6	
	12500	85.4	89.2	90.1	91.0	92.2	93.9	94.0	95.8	97.3	98.6	97.0	99.5	97.7	98.3				138.0	
	16000	83.6	88.6	88.9	89.4	91.4	92.4	93.0	94.7	95.5	96.9	95.6	98.6	96.6	97.0				137.1	
	20000	81.4	88.9	86.9	87.5	88.7	89.9	90.5	92.6	93.9	93.9	93.1	95.8	94.9	95.9				135.3	
	25000	78.4	88.1	84.4	85.2	85.2	86.7	87.1	89.6	90.1	90.4	88.9	93.0	92.9	92.1				132.6	
	31500	75.0	84.1	82.1	81.6	81.6	83.7	84.0	86.2	85.9	87.8	85.7	90.3	91.9	88.3				130.3	
	40000	72.7	78.2	78.7	78.5	79.3	79.1	79.5	83.2	83.3	83.8	82.3	88.7	90.2	87.9				128.5	
	50000	70.7	73.7	74.7	75.0	75.6	75.9	75.7	81.9	81.4	84.3	81.3	89.8	89.6	89.0				129.1	
	63000	71.7	72.6	71.5	72.7	73.3	73.5	73.5	83.1	81.5	85.4	82.0	91.7	90.6	90.7				129.1	
	80000	71.8	73.4	69.9	70.9	72.7	72.3	73.3	84.0	82.0	87.5	82.3	93.5	92.5	92.7				126.9	
OVERALL MEASURED																				
OVERALL CALCULATED		160.3	101.3	101.9	102.0	103.1	104.5	104.9	106.8	108.3	111.0	113.2	117.5	118.2	117.6				122.5	
PNDB		121.2	112.7	113.3	113.3	114.3	115.8	116.2	117.9	119.4	122.5	123.8	126.4	126.4	125.3					

153

ORIGINAL PAGE IS
OF POOR QUALITY

253

		ANGLES FROM INLET IN DEGREES (AND RADIANS)																		RWL
		30	40	50	60	70	80	90	100	110	120	130	140	150	160	0	6	0		
REV. ALPHA 12/73	FREQ	(6.92)	(0.70)	(0.87)	(1.05)	(1.22)	(1.40)	(1.57)	(1.75)	(1.92)	(2.09)	(2.27)	(2.44)	(2.62)	(2.79)	(0)	(0)	(0)		
NO EGA	50	73.3	78.3	70.9	70.2	70.5	68.1	70.1	74.3	80.1	75.8	75.8	87.0	92.8	92.7				124.1	
RDG. NO. 0	63	74.3	78.8	70.7	73.2	73.0	71.9	72.8	72.4	81.4	77.8	79.1	87.9	95.0	96.3				126.5	
RADIAL 40, FT:	80	72.1	78.1	72.3	72.4	73.8	72.7	74.1	74.1	78.8	79.1	84.0	93.1	93.8	93.6				126.5	
(12. M)	100	73.4	78.4	74.7	74.4	75.4	74.9	77.2	79.1	82.2	83.4	84.7	92.5	97.3	99.2				129.4	
VEHICLE JENQTS:	125	76.2	78.2	75.0	76.2	76.0	77.5	80.2	80.0	85.0	86.2	86.0	93.9	97.5	99.3				130.0	
CONFIG JE=056	160	81.2	78.9	78.2	79.2	78.9	81.4	82.6	82.7	88.9	88.7	89.2	96.4	97.9	100.1				131.4	
LOC EVENDALE	200	81.5	81.3	79.0	81.0	80.8	82.3	82.5	83.5	85.5	90.3	91.3	97.4	99.7	103.5				133.5	
DATE 04-22-75	250	83.3	88.5	81.8	82.3	82.5	83.5	83.5	85.3	90.5	92.3	95.3	99.0	102.2	102.9				134.9	
RUN DBTF=MODEL 2:	315	85.5	88.0	84.0	84.5	85.5	86.2	84.8	89.5	90.8	95.8	99.0	102.4	106.4	109.8				139.9	
TAPE X20346	400	83.9	81.7	85.8	83.4	84.2	85.5	84.8	89.1	92.3	96.3	96.8	106.0	108.0	106.6				140.0	
BAR 29.6 HG	500	87.3	87.3	86.8	84.5	85.5	86.6	88.0	89.7	92.2	94.2	97.7	106.9	108.3	105.8				140.2	
(01039, N/M2)	630	88.6	87.2	86.5	85.2	87.0	87.0	89.1	90.4	92.7	95.0	100.5	108.6	109.2	108.8				141.9	
TAMB 59, DEG F	800	87.7	87.4	87.6	86.8	87.8	88.0	88.9	91.6	92.8	96.5	100.5	106.5	106.5	110.5				141.1	
(288, DEG K)	1000	88.1	88.4	87.3	86.9	87.5	89.4	90.7	92.1	93.6	97.8	101.5	106.2	107.4	107.4				140.6	
THRT 53, DEG F	1250	86.7	88.7	87.1	86.5	87.7	89.2	90.4	92.2	93.7	97.4	101.3	106.7	106.4	104.7				140.1	
(285, DEG K)	1600	85.6	88.5	86.2	86.2	87.8	89.0	90.5	92.2	93.3	96.8	100.6	103.7	104.1	103.0				138.2	
HACT 8.91 GM/M3	2000	85.3	85.3	84.8	86.9	87.7	89.6	89.8	91.1	93.2	95.9	99.2	101.5	102.1	101.5				136.7	
(.00891 KG/M3)	2500	84.1	84.3	85.3	84.7	85.6	87.7	88.2	90.9	92.8	95.6	97.0	99.9	99.4	98.2				134.9	
FREQ. SHIFT	3150	82.8	83.9	84.3	84.7	85.3	87.3	87.8	90.1	91.8	95.1	96.2	98.6	97.6	96.6				133.9	
JET 0	4000	80.4	82.4	82.5	83.8	84.9	86.8	87.6	89.7	91.5	93.9	94.5	95.8	94.3	91.5				132.0	
DIAMETER RATIO	5000	79.8	81.5	82.9	83.1	84.3	86.1	87.3	89.5	91.6	94.0	93.7	94.9	91.5	89.1				131.4	
DF/DH 1.00	6300	79.8	82.3	82.5	83.6	84.9	86.5	86.4	88.6	90.3	93.2	92.1	92.9	89.3	88.1				130.4	
	8000	78.5	82.3	82.8	83.8	85.3	86.9	86.8	88.7	89.8	91.9	92.5	91.3	87.2	87.7				130.1	
	10000	78.3	82.3	82.8	83.1	85.3	86.0	86.3	88.6	90.2	91.5	91.2	89.3	86.5	86.9				129.9	
	12500	76.9	81.0	82.1	82.0	83.9	85.4	85.7	87.6	88.5	91.6	90.3	88.0	84.9	85.1				129.3	
	16000	74.1	78.1	79.1	79.7	81.9	82.9	83.5	85.2	88.0	87.4	87.3	85.9	83.9	87.2				127.1	
	20000	70.9	78.9	75.4	77.0	78.2	79.2	79.8	81.8	83.9	84.4	83.1	82.8	84.1	82.2				124.5	
	25000	69.7	74.6	73.1	74.0	74.7	76.2	76.6	78.9	81.1	81.4	79.9	83.5	87.4	82.9				124.1	
	31500	87.5	62.8	69.4	69.8	70.9	72.7	73.8	75.0	78.6	78.8	78.2	83.6	89.6	83.5				123.7	
	40000	87.2	68.9	67.7	68.5	68.8	68.8	69.5	71.7	77.5	78.6	78.0	84.4	89.2	85.9				123.9	
	50000	89.5	67.2	67.7	68.2	69.1	68.7	68.9	70.6	78.2	80.8	80.3	87.3	89.4	88.0				124.5	
	63000	70.4	68.9	68.0	70.5	71.3	69.3	69.8	72.3	80.0	83.2	81.2	89.2	90.4	90.2				126.9	
	80000	71.3	69.4	68.7	70.4	71.7	71.3	71.8	73.8	82.0	85.5	83.3	92.0	92.0	92.2				135.6	
OVERALL MEASURED																				
OVERALL CALCULATED		97.7	97.7	97.9	97.8	98.9	100.2	101.0	103.0	104.9	108.0	110.7	116.1	117.1	117.6				150.8	
PNDB		168.6	109.2	109.5	109.8	110.7	112.3	112.9	115.1	117.0	120.0	121.7	125.4	125.7	125.8					

254-

REV, ALPHA 12/73	FREQ.	ANGLES FROM INLET IN DEGREES (AND RADIANS)																PWL	
		30.	40.	50.	60.	70.	80.	90.	100.	110.	120.	130.	140.	150.	160.	0.	0.		0.
NO EGA,	50	74.3	75.1	74.9	75.4	75.5	75.8	76.9	80.8	80.9	92.6	84.5	89.0	91.1	98.5				128.3
RDG. NO. 0,	63	77.6	78.6	78.2	78.2	77.8	78.7	79.3	82.7	84.1	91.8	87.1	94.6	96.0	103.6				132.2
RADIAL 40, FT.	80	80.6	81.9	81.3	80.4	80.5	81.9	82.8	85.3	86.3	93.9	91.5	96.1	98.0	104.4				133.7
(12, M)	100	83.4	83.9	84.4	83.9	83.2	85.2	87.2	90.3	90.2	96.2	94.2	100.0	103.0	105.7				136.5
VEHICLE JENOTS	125	86.5	86.2	86.0	86.0	85.5	88.5	90.4	93.5	93.7	101.5	97.0	102.4	104.3	108.3				139.2
CONFIG JE-056	160	91.4	89.7	89.4	89.2	89.4	91.9	93.4	95.2	97.2	105.7	100.2	104.7	106.6	108.6				141.5
LOC EVENDALE	200	91.5	90.8	89.3	90.0	89.3	92.5	92.8	94.5	96.3	102.8	103.3	109.4	110.2	111.5				143.8
DATE 04-22-75	250	93.0	93.0	91.3	91.8	91.3	93.0	92.5	94.8	94.8	100.0	102.0	106.5	111.5	112.7				145.3
RUN DBTF-MODEL 2	315	94.5	93.0	93.3	94.0	94.0	94.7	93.0	96.8	98.0	103.0	108.0	112.6	115.2	113.3				147.2
TAPE X20550	400	91.9	91.0	94.1	92.7	93.7	94.5	95.8	97.1	100.1	104.6	106.0	113.3	116.0	110.6				147.3
BAR 29.5 HG	500	96.3	96.3	95.3	94.3	95.2	96.4	98.0	99.7	101.4	104.2	109.5	119.4	117.3	114.3				150.9
(01039, N/M2)	630	98.1	97.7	96.2	94.2	95.7	95.8	97.9	99.6	101.9	104.5	111.5	118.8	119.7	116.1				151.8
TAMB 59, DEG F	800	98.7	98.2	97.9	96.8	97.5	98.0	98.7	101.4	103.0	107.3	111.7	118.8	117.2	116.0				151.2
(286, DEG K)	1000	97.8	98.1	96.8	96.7	96.8	97.9	98.9	100.8	103.1	106.6	111.0	116.7	115.9	112.2				149.5
TWET 53, DEG F	1250	96.2	95.9	96.4	96.0	97.0	97.7	99.4	101.2	102.4	106.9	110.8	116.2	113.7	108.9				148.6
(285, DEG K)	1600	93.8	94.2	95.4	95.7	96.6	98.5	99.3	100.7	102.6	106.5	109.3	112.2	109.4	106.2				145.9
HACT 8.91 GM/M3	2000	94.9	94.3	93.8	96.2	97.2	98.6	98.8	100.1	102.2	104.9	107.7	110.3	106.4	104.8				144.3
(.00891 KG/M3)	2500	92.8	94.3	95.3	95.0	95.6	97.4	97.7	99.7	102.1	104.3	105.3	109.0	103.9	102.0				143.0
FREQ, SHIFT	3150	91.6	94.2	94.8	95.2	96.1	97.6	98.0	99.4	101.6	104.1	104.2	107.1	103.1	102.6				142.3
JET 0	4000	90.2	92.2	94.5	95.3	96.2	97.8	98.4	100.0	101.3	104.2	103.6	106.3	101.8	98.5				141.9
DIAHETER RATIO	5000	90.5	90.4	94.4	95.1	96.6	98.1	98.8	100.8	103.1	104.5	104.0	107.2	102.8	100.4				142.7
DP/DH 1.00	6300	92.0	90.4	95.3	96.2	97.7	99.5	99.4	100.9	103.1	104.7	104.7	108.2	104.4	100.9				143.6
	8000	92.1	95.6	96.4	96.8	98.6	100.4	99.6	101.8	103.6	104.5	104.8	108.8	105.0	102.2				144.2
	10000	93.1	96.4	97.4	98.4	99.4	100.3	99.9	101.9	103.8	105.3	105.3	109.1	104.8	102.4				145.0
	12500	93.3	97.8	98.4	98.4	99.8	100.0	99.8	102.2	102.9	104.0	104.6	108.6	104.3	102.2				144.8
	16000	93.2	99.2	100.0	96.8	99.5	100.0	99.6	100.8	101.4	102.3	102.7	106.7	102.0	99.8				144.1
	20000	91.5	98.1	98.8	99.1	98.8	98.3	98.2	98.9	99.6	100.1	100.5	103.7	100.5	97.3				142.7
	25000	87.3	93.5	95.0	96.1	97.1	96.8	96.0	97.3	97.8	97.6	97.5	101.7	98.3	96.7				140.9
	31500	83.4	89.7	91.3	91.7	92.0	94.1	93.1	94.6	94.5	95.2	95.3	99.9	97.0	95.4				138.8
	40000	81.3	87.0	88.3	89.3	88.9	88.9	89.1	91.5	92.1	92.4	92.6	98.0	96.5	96.5				137.3
	50000	80.3	84.3	85.3	86.3	86.2	87.3	86.5	91.5	92.2	93.4	91.9	99.8	97.9	98.0				138.7
	63000	81.4	82.1	83.3	84.0	84.0	85.5	83.8	92.6	92.8	94.7	92.8	102.0	100.5					142.2
	80000	81.8	80.9	81.2	82.0	83.0	83.1	84.9	93.6	92.0	96.7	94.0	103.8	101.7					146.6
OVERALL MEASURED																			
OVERALL CALCULATED		107.9	109.3	109.7	109.7	110.5	111.6	111.9	113.7	115.5	118.4	120.9	126.9	126.1	123.7				160.6
PND8		118.3	119.7	120.1	120.4	121.3	122.8	123.3	125.1	127.1	129.9	131.2	135.8	134.6	132.2				

155

ORIGINAL PAGE IS
OF POOR QUALITY

255

MODEL SOUND PRESSURE LEVELS (59, DEG, F, 70 PERCENT REL. HUM, DAY - JENOTS)

REV, ALPHA 12/73	FREQ	ANGLES FROM INLET IN DEGREES (AND RADIANS)															RWL
		30	40	50	60	70	80	90	100	110	120	130	140	150	160		
NO EGA	50	74.8	78.8	72.9	73.9	73.7	74.6	73.9	78.8	78.6	77.6	80.5	87.5	89.1	92.7	123.3	
RDG, NO. 0	63	76.3	75.1	75.2	76.2	75.8	76.9	76.3	80.2	81.1	79.6	82.6	94.9	95.0	94.1	127.8	
RADIAL 40, FT	80	78.1	77.9	77.3	78.4	77.3	78.9	79.1	81.6	83.1	82.1	86.2	91.1	94.0	97.6	127.9	
{ 12, M }	100	80.4	79.9	80.2	80.7	79.4	82.2	83.0	86.6	88.2	86.9	90.2	99.0	99.8	101.2	133.1	
VEHICLE JENOTS	125	83.7	82.2	81.7	82.7	81.5	84.7	85.9	89.0	89.7	90.0	92.3	97.6	102.0	103.0	134.4	
CONFIG JE-058	160	88.7	85.9	84.4	85.4	85.7	86.2	88.9	90.4	92.4	92.9	95.2	99.9	102.9	104.4	136.1	
LQC EVENDALE	200	88.5	87.0	84.8	87.3	86.3	88.8	88.5	90.3	92.5	94.3	99.1	104.6	106.2	108.5	139.6	
DATE 04-22-78	250	89.5	87.3	87.8	89.0	88.3	89.5	88.8	91.0	95.5	97.3	101.5	106.8	108.9	108.6	141.5	
RUN DBTF-MODEL 2	315	91.0	87.3	89.5	91.0	91.0	91.7	89.8	94.5	95.8	100.3	105.0	108.4	111.4	113.0	144.3	
TAPE X20568	400	88.9	86.7	89.8	89.4	89.9	90.7	91.8	94.3	97.1	100.8	103.3	110.5	112.7	109.6	144.5	
BAR 29.6 HG	500	92.8	92.8	91.8	90.3	90.7	92.9	93.7	96.7	98.2	99.7	105.2	114.9	114.8	112.1	147.3	
{ 01039, N/M2 }	630	93.3	93.2	92.2	90.7	92.0	92.3	94.4	96.4	99.2	101.5	107.5	116.3	115.9	111.8	148.5	
YAMB 59, DEG F	800	92.7	98.2	93.4	93.0	93.0	93.3	94.7	98.1	99.3	103.8	109.0	116.0	113.5	114.5	148.3	
(288, DEG K)	1000	93.3	91.9	92.5	92.9	93.3	94.7	95.9	98.3	99.9	103.3	108.7	114.2	111.1	110.7	146.5	
TWET 53, DEG F	1250	92.5	91.9	92.4	92.3	93.0	94.2	95.9	98.4	99.2	104.1	108.8	115.5	110.2	107.4	146.9	
(285, DEG K)	1600	90.6	91.5	91.4	92.5	93.1	95.0	95.8	97.7	99.3	103.3	107.6	112.0	107.9	104.7	144.4	
HACT 8.91 GM/M3	2000	91.3	98.8	90.3	92.7	93.2	94.6	94.8	97.1	99.2	101.9	105.9	110.3	105.9	102.5	142.9	
(.00891 KG/M3)	2500	89.8	98.1	90.8	90.7	91.4	93.2	94.2	96.4	98.3	101.6	103.8	107.7	102.7	99.2	140.9	
FREQ, SHIFT	3150	88.3	87.9	90.8	91.2	92.3	93.3	93.8	95.9	98.1	100.9	102.4	106.4	100.6	96.9	139.8	
JET 0	4000	86.9	89.4	90.0	90.8	91.6	93.1	93.9	96.4	97.3	100.4	100.5	103.5	97.3	94.7	138.3	
DIAMETER RATIO	5000	87.5	96.5	90.1	90.9	92.0	93.1	94.3	96.8	98.1	100.5	100.2	102.4	96.5	94.6	138.2	
DF/DH 1.00	6300	88.0	91.6	91.8	92.9	93.9	95.2	94.7	96.9	98.3	100.4	99.9	102.4	97.3	97.3	138.7	
OVERALL MEASURED	8000	88.8	93.8	93.3	93.3	94.8	96.9	96.3	97.2	99.5	101.2	100.2	103.3	99.2	99.7	139.9	
OVERALL CALCULATED	10000	90.6	93.8	94.3	95.6	96.3	96.7	97.3	99.1	99.5	101.7	100.5	103.3	100.3	100.6	140.9	
PND8	12500	89.4	93.2	93.8	94.5	96.9	97.2	97.7	100.6	100.5	100.6	100.0	103.7	100.4	100.8	141.4	
	16000	87.8	91.6	92.4	92.7	94.9	95.6	96.5	98.2	99.3	99.7	98.6	102.1	99.4	100.0	140.4	
	20000	86.9	92.2	92.4	91.7	92.2	93.4	93.5	95.8	98.7	96.7	96.1	100.3	98.1	98.9	138.8	
	25000	85.2	91.9	91.9	90.2	90.2	90.5	93.1	94.4	93.9	92.9	98.0	97.1	97.4	137.1		
	31500	81.0	86.8	87.4	87.3	86.9	87.7	87.5	90.7	91.6	91.1	90.7	95.8	96.1	95.5	135.2	
	40000	78.7	82.9	83.9	84.2	84.3	84.3	84.0	88.9	96.0	87.8	89.0	95.2	95.8	96.4	134.7	
	50000	78.7	82.2	81.2	81.5	81.1	82.2	82.2	90.6	89.9	87.8	89.8	97.8	97.9	98.5	137.1	
	63000	79.7	80.4	80.3	81.9	81.3	81.3	81.8	92.1	91.8	89.7	91.7	99.7	100.1	100.2	140.8	
	80000	81.3	88.1	79.2	80.9	81.9	82.3	82.3	93.8	92.2	91.5	92.8	101.5	101.8	101.7	145.4	
OVERALL MEASURED																	
OVERALL CALCULATED		164.0	108.2	105.3	105.7	106.5	107.6	108.2	110.7	112.1	114.6	117.9	124.1	122.7	121.6	137.6	
PND8		114.9	118.8	116.1	116.6	117.4	118.7	119.2	121.6	123.3	126.1	128.5	133.4	131.1	129.7		

156

25

REV. ALPHA 12/73	FREQ.	ANGLES FROM INLET IN DEGREES (AND RADIANS)																	PWL	
		30	40	50	60	70	80	90	100	110	120	130	140	150	160	170	180	190		200
NO EGA	50	73.1	73.8	70.4	74.2	75.0	76.3	72.4	77.8	81.1	89.8	84.8	82.3	88.3	92.0					124.4
RDG. NO. 0	63	75.1	75.8	71.9	76.5	77.0	76.7	75.5	78.9	84.9	92.1	85.1	85.1	94.0	91.8					126.9
RADIAL 40 FT.	80	77.1	76.6	74.8	77.4	78.5	79.2	78.1	81.6	88.8	95.6	88.5	87.6	93.5	94.1					129.1
(12. M)	100	77.4	76.2	77.9	78.4	79.9	80.7	81.5	84.8	88.0	94.9	91.7	93.0	99.0	96.7					131.5
VEHICLE JENOTS:	128	80.7	81.7	79.2	80.4	82.5	83.5	85.7	88.7	91.0	99.5	94.2	94.9	98.8	99.5					134.0
CONFIG JE-058	160	87.4	81.2	82.4	83.2	85.2	87.7	87.6	89.2	92.7	99.4	98.4	96.7	103.1	101.4					136.2
LOC EVENDALE	200	87.0	85.8	83.3	86.0	86.9	88.0	87.0	89.3	92.0	96.8	97.6	99.9	103.0	105.8					137.0
DATE 04-22-75	250	87.8	87.0	85.5	86.8	86.5	88.3	87.0	88.8	97.3	97.8	100.0	102.5	105.4	105.4					138.6
RUN DBTF MODEL 2:	318	90.3	88.0	88.0	89.3	89.3	89.7	88.3	92.8	95.0	99.8	103.3	105.4	108.9	111.8					142.3
TAPE X20578	400	87.7	88.5	88.3	87.7	88.2	90.0	90.1	93.1	96.1	101.8	101.8	108.3	110.7	108.6					142.8
BAR 29.9 HG	500	89.8	90.8	90.3	88.3	89.0	90.6	92.0	94.5	95.4	99.2	102.7	110.4	112.1	108.3					143.9
(01039 N/M2)	630	91.8	91.5	90.5	89.5	90.7	91.0	92.4	94.6	96.7	99.7	106.5	112.6	113.4	110.3					145.8
TMS 59 DEG F	800	92.0	91.2	91.9	91.8	91.8	91.8	92.9	95.9	97.5	102.5	106.7	111.3	111.2	113.7					145.5
(288 DEG K)	1000	93.3	91.6	92.0	91.7	92.0	93.9	94.2	96.3	98.4	102.8	108.0	112.4	111.9	109.9					143.6
TWET 53 DEG F	1250	93.2	92.4	92.4	92.0	93.0	93.7	95.2	96.9	98.2	102.9	108.1	113.0	111.4	108.7					145.7
(285 DEG K)	1600	92.3	92.0	91.7	92.2	92.8	94.0	95.3	97.0	98.3	102.0	106.6	110.5	110.1	107.0					144.0
HACT 8.91 GM/M3	2000	92.1	91.1	90.3	92.4	93.0	94.1	94.3	96.3	98.2	101.4	105.4	109.3	108.6	105.3					142.9
(.00891 KG/M3)	2500	90.6	90.1	90.5	90.0	90.6	91.7	93.2	95.7	97.8	101.1	103.0	107.4	106.2	102.2					141.1
FREQ. SHIFT	3150	88.3	88.7	89.0	89.2	90.3	91.8	92.8	94.9	96.1	100.9	102.7	105.6	103.8	99.1					139.8
JET 0	4000	86.2	87.7	89.5	88.8	89.4	91.1	91.9	94.7	96.8	99.6	100.8	103.8	100.5	95.0					138.2
DIAMETER RATIO	5000	85.3	87.3	87.4	87.6	89.3	90.8	92.0	94.5	97.3	99.5	100.0	101.4	98.3	93.1					137.2
DF/DN 1.00	6300	85.5	86.6	88.3	88.9	90.1	91.2	91.9	94.1	96.1	98.9	98.6	98.4	96.3	92.1					136.2
	8000	86.0	87.3	89.8	89.8	91.1	92.6	92.8	94.2	96.5	99.4	98.0	96.8	93.7	90.2					136.2
	10000	87.6	91.5	90.8	91.3	92.5	92.5	93.1	96.1	97.0	100.0	99.0	96.1	91.3	89.1					137.3
	12500	85.9	88.7	90.3	91.0	92.7	92.7	93.0	95.8	97.0	100.6	99.0	95.0	91.7	87.3					137.6
	16000	83.1	85.4	86.9	87.2	89.6	90.6	90.5	92.2	94.3	97.7	96.1	92.6	89.4	85.2					135.2
	20000	78.9	83.9	83.6	84.0	85.5	85.9	86.3	88.1	93.9	92.9	92.6	88.8	88.9	83.2					132.4
	25000	77.4	86.4	80.6	81.0	82.0	82.7	83.1	85.4	89.6	90.7	89.1	87.0	88.4	83.6					129.0
	31500	75.3	78.8	76.9	77.8	77.9	79.9	80.0	82.2	86.6	88.3	88.2	86.3	90.1	83.5					129.6
	40000	75.7	76.2	75.9	77.2	77.3	77.3	77.3	79.2	82.0	87.3	87.5	86.7	88.7	85.2					129.9
	50000	77.5	77.9	76.9	77.5	77.9	77.7	78.2	80.4	82.7	89.6	90.1	89.5	90.1	87.5					132.5
	63000	79.9	80.4	77.8	79.7	80.0	79.3	80.3	81.8	82.8	92.7	93.2	91.4	92.6	89.7					136.7
	80000	80.3	86.1	78.4	79.9	81.9	81.5	82.3	83.5	92.0	94.2	93.3	93.8	94.8	91.2					140.7
OVERALL MEASURED																				
OVERALL CALCULATED		103.0	103.1	103.0	103.3	104.1	105.1	105.8	108.1	118.5	124.2	116.9	121.1	121.4	120.1					155.5
PND8		114.5	114.8	114.6	114.8	115.7	116.9	117.7	120.0	122.2	126.1	127.9	131.3	131.0	128.6					

ORIGINAL PAGE IS
OF POOR QUALITY

REV. ALPHA 12/73	FREQ	ANGLES FROM INLET IN DEGREES (AND RADIANS)																	PHL
		30. (0.92)	40. (0.70)	50. (0.87)	60. (1.05)	70. (1.22)	80. (1.40)	90. (1.57)	100. (1.75)	110. (1.92)	120. (2.09)	130. (2.27)	140. (2.44)	150. (2.62)	160. (2.79)	0. (0.0)	0. (0.0)	0. (0.0)	
NO EGA	50	75.3	74.8	75.1	74.7	75.2	76.1	75.6	77.8	78.6	84.1	82.3	86.8	95.1	99.5				128.2
RDG. NO. 0	63	78.6	78.6	78.4	77.7	78.5	79.2	79.8	80.2	84.1	87.3	86.3	90.4	98.5	100.3				130.4
RADIAL 40, FT.	80	82.1	81.6	81.8	80.4	80.8	81.9	82.8	83.1	84.8	88.4	90.5	94.9	100.0	102.4				132.6
(12. M)	100	84.4	83.4	85.2	84.7	84.4	85.9	86.7	89.1	89.5	92.7	93.9	99.5	104.8	105.4				136.7
VEHICLE JENOTS	125	87.5	87.2	86.7	86.7	86.2	88.7	90.4	91.7	92.2	96.5	97.0	101.9	106.8	108.0				139.1
CONFIG JE-058	160	92.9	90.7	89.7	89.7	90.2	92.2	93.6	93.9	96.2	99.4	99.7	104.9	108.6	108.9				141.2
LOC EVENDALE	200	92.3	91.3	89.8	90.3	90.3	92.5	92.8	93.3	95.8	99.3	103.6	109.4	111.5	112.8				144.3
DATE 04-22-75	250	93.8	93.8	91.8	92.3	91.8	93.3	92.8	94.5	100.5	201.8	106.8	111.8	114.4	112.1				146.3
RUN DBTF-MODEL 2:	315	95.0	93.3	94.3	95.0	95.3	95.0	93.5	97.5	98.8	204.0	108.8	112.1	116.4	115.8				148.2
TAPE X20586	400	93.2	91.7	96.8	93.7	94.7	95.2	96.3	98.1	100.8	205.3	107.5	114.0	117.2	112.1				148.4
BAR 29.9 HG	500	96.8	97.6	97.1	95.3	96.0	97.4	98.7	101.0	101.9	204.4	111.2	119.4	120.6	116.3				152.4
(01039, N/M2)	630	96.6	99.2	98.0	96.0	96.5	97.3	98.6	101.0	102.9	206.2	113.5	120.1	121.4	115.8				153.1
TAMB 59, DEG F	800	99.0	99.2	98.4	98.3	98.5	99.0	99.7	102.4	104.0	208.5	114.7	121.0	120.2	117.0				153.5
(288, DEG K)	1000	98.0	96.9	98.0	98.2	98.5	99.2	100.9	101.8	104.1	208.1	114.2	117.9	116.6	113.2				150.9
TWET 53, DEG F	1250	97.5	97.7	97.9	97.5	98.0	99.4	100.9	101.9	104.2	208.4	114.8	119.5	113.9	109.9				151.2
(285, DEG K)	1600	96.1	97.5	97.4	97.5	98.1	99.5	100.5	101.7	103.8	208.3	113.1	115.7	111.6	106.7				148.7
HACT 8.91 GM/M3	2000	96.9	97.1	95.5	97.9	98.2	99.6	99.8	101.1	103.7	207.1	111.4	114.3	110.1	104.5				147.4
(.0089, KG/M3)	2500	96.3	96.8	96.5	96.0	97.1	97.7	99.0	100.4	103.3	206.1	109.3	112.0	106.4	101.3				145.4
FREQ. SHIFT	3150	94.3	96.2	96.5	97.2	97.9	98.6	98.5	100.4	102.6	205.4	107.7	109.6	104.1	100.9				144.1
JET 0	4000	92.7	95.5	95.5	96.1	96.9	98.3	98.9	100.5	102.6	204.7	106.1	106.6	101.6	99.3				142.8
DIAHETER RATIO	5000	92.5	96.0	96.4	96.1	97.1	98.6	99.8	101.1	102.6	204.8	105.2	105.9	102.0	100.1				142.8
DF/DM 1.00	6300	92.5	98.1	97.3	97.7	98.2	99.3	99.7	101.2	102.8	204.5	104.7	105.5	102.9	101.1				143.0
	8000	92.1	97.4	97.6	98.3	99.6	100.4	99.3	101.8	103.1	204.5	104.3	105.8	103.7	103.0				143.6
	10000	92.1	98.1	98.1	98.7	99.6	100.8	99.9	101.9	103.8	204.6	104.3	106.1	104.3	103.7				144.3
	12500	91.8	98.1	98.4	98.6	99.8	100.3	100.8	102.9	102.9	203.5	103.6	105.6	104.3	102.9				144.3
	16000	91.4	99.5	99.5	98.3	99.2	99.7	99.8	101.1	103.1	201.8	102.2	103.7	102.0	100.6				143.5
	20000	90.3	98.8	98.5	98.6	97.8	97.3	98.2	99.2	99.6	98.8	99.2	101.0	99.8	98.1				141.9
	25000	86.5	98.2	95.7	96.8	96.3	96.6	95.5	97.0	97.8	97.1	96.3	99.4	98.5	97.0				140.5
	31500	82.6	98.2	91.5	91.7	91.8	93.8	93.1	94.1	94.2	94.9	94.1	97.9	98.0	95.6				138.3
	40000	80.8	87.8	89.0	89.3	88.6	89.2	89.1	91.5	91.9	92.4	91.6	96.3	96.7	96.2				136.9
	50000	80.3	85.3	86.0	86.8	85.7	87.0	86.3	90.7	91.2	93.6	91.1	98.6	99.9	98.3				138.8
	63000	80.9	82.9	83.8	84.5	84.5	84.0	84.0	92.1	92.6	95.5	92.0	100.2	100.9	100.5				141.8
	80000	82.0	81.4	81.7	82.5	83.5	83.1	83.6	93.1	92.2	97.2	92.8	102.0	102.3	101.7				146.1
OVERALL MEASURED																			
OVERALL CALCULATED		108.8	110.6	110.6	110.6	111.1	112.0	112.5	114.2	116.0	128.9	123.3	128.2	128.0	124.7				161.0
PND8		120.3	121.5	121.6	121.8	122.5	123.5	123.9	125.5	127.8	130.6	133.8	137.2	136.1	132.8				

158

25

REV. ALPHA 12/73	FREQ.	ANGLES FROM INLET IN DEGREES (AND RADIAN)															RWL		
		30	40	50	60	70	80	90	100	110	120	130	140	150	160	0		0	0
NO EGA	50	76,3	75,6	75,9	75,9	75,7	76,1	77,1	81,0	79,9	81,8	84,5	94,3	92,6	98,7				128,4
RDG. NO. 0	63	79,1	77,6	77,7	78,2	77,8	78,7	79,0	83,2	82,6	83,6	86,8	105,1	96,7	99,8				135,1
RADIAL 40 FT	80	80,6	79,9	80,3	80,6	79,5	80,4	81,6	84,6	83,6	85,4	90,0	94,1	98,3	101,1				131,4
(12 M)	100	83,4	82,7	83,2	83,2	82,4	84,2	85,7	88,8	88,5	89,9	93,4	101,5	102,3	104,2				135,7
VEHICLE JENOTS	125	86,5	86,2	84,5	85,7	84,7	86,5	88,9	91,5	90,7	93,2	96,7	103,9	104,3	106,5				138,1
CONFIG JE-05	160	91,7	88,4	87,7	88,2	88,2	90,4	91,6	94,2	94,4	95,9	98,9	106,7	107,1	108,1				140,6
LOC EVENDALE	200	91,8	89,3	87,5	89,0	89,0	91,3	91,0	93,8	94,3	97,3	102,3	109,6	110,0	112,3				143,6
DATE 04-22-73	250	92,5	91,0	90,8	91,3	90,3	91,8	91,5	94,0	94,8	98,8	100,5	105,5	112,0	112,4				145,3
RUN DBTP=MODEL 2	315	93,8	91,0	92,3	93,3	93,3	94,0	91,8	96,8	97,5	102,5	107,8	113,4	114,2	115,5				147,4
TAPE X20398	400	91,7	90,0	92,1	91,9	93,4	93,7	94,8	96,6	99,6	104,1	106,0	115,3	115,0	111,6				147,7
BAR 29.6 HG	500	95,1	94,8	95,3	92,8	94,0	95,9	97,0	99,5	100,9	103,2	109,2	120,6	119,1	115,8				152,1
(01039 N/M2)	630	96,8	97,0	96,2	94,0	94,7	95,3	97,6	99,1	101,9	104,7	112,0	121,6	118,7	114,1				152,7
TAMB 59 DEG F	800	97,0	98,7	96,9	96,8	96,8	97,0	97,9	101,6	102,8	107,3	113,5	122,0	117,7	116,5				153,1
(288 DEG K)	1000	97,1	95,6	97,3	96,4	96,8	98,2	99,2	100,6	103,4	107,3	114,0	119,9	114,6	113,4				151,4
TWET 53 DEG F	1250	96,5	95,9	96,1	95,8	97,0	97,7	99,2	101,4	102,9	108,1	114,8	122,5	114,2	111,2				153,0
(285 DEG K)	1600	95,3	95,7	95,7	96,0	96,8	98,2	99,3	101,0	102,8	107,3	113,6	118,7	112,4	108,5				150,2
HACT 8.91 GM/M3	2000	96,1	94,8	94,3	96,4	97,2	98,1	98,5	100,6	102,7	106,6	111,9	118,0	110,4	105,5				149,2
(0.0891 KG/M3)	2500	95,6	95,3	95,5	94,5	95,1	96,7	98,0	100,2	102,5	105,8	109,8	115,7	107,2	103,2				147,1
FREQ. SHFT	3150	94,8	95,2	95,5	95,7	96,3	96,8	97,5	99,4	101,8	105,6	108,4	114,4	105,3	101,4				146,1
JET 0	4000	92,9	94,4	94,5	94,8	95,9	97,1	97,1	99,4	101,3	104,1	106,5	111,0	101,0	98,0				143,8
DIAMETER RATIO	5000	93,3	95,3	94,6	95,6	95,8	96,8	98,0	99,5	101,8	104,0	105,0	108,9	100,3	98,1				142,8
DF/DH 1.00	6300	93,0	96,3	96,3	96,9	96,9	98,0	98,2	99,6	101,1	103,4	103,9	107,7	99,3	98,3				142,4
	8000	93,0	95,3	96,6	97,8	99,1	98,6	98,8	100,2	101,5	103,2	102,7	106,5	100,2	100,7				142,5
	10000	93,1	98,3	96,5	98,1	99,0	99,7	99,3	101,1	102,0	103,2	102,7	106,6	101,5	102,1				143,2
	12500	91,9	96,0	96,6	97,0	98,4	99,2	100,2	102,1	102,0	102,6	101,5	106,5	101,4	102,1				143,4
	16000	90,1	94,9	94,9	95,4	97,4	98,1	98,7	100,2	102,0	100,9	100,1	105,1	100,6	101,0				142,6
	20000	88,9	95,2	95,4	94,2	95,2	95,8	97,8	98,4	98,4	98,2	97,6	102,6	98,6	98,7				140,6
	25000	87,4	95,1	95,4	94,8	93,7	93,5	92,6	96,1	95,6	94,9	94,9	100,5	97,4	97,9				139,3
	31500	82,0	88,3	89,1	89,8	89,9	90,4	89,8	92,5	93,1	92,8	92,5	98,8	96,9	95,5				137,1
	40000	79,5	84,9	85,9	85,8	86,5	86,1	85,8	93,9	90,8	89,3	89,8	97,2	95,9	96,2				136,2
	50000	79,5	82,9	83,4	83,8	83,1	83,7	83,5	92,6	89,9	88,8	90,6	101,5	97,6	98,5				138,8
	63000	81,2	81,1	81,3	83,0	82,5	82,0	82,0	94,6	90,5	89,9	92,2	102,2	100,1	100,5				142,0
	80000	81,5	80,4	79,4	81,4	82,9	82,5	82,8	93,3	92,0	91,5	93,5	103,8	102,3	101,7				146,3
OVERALL MEASURED																			
OVERALL CALCULATED		107,8	100,7	106,9	109,0	109,7	110,5	111,2	113,4	116,9	118,0	122,8	130,2	126,2	124,3				142,0
PNOB		119,7	126,1	120,3	120,8	121,1	122,0	122,6	124,6	126,6	130,0	133,7	140,0	154,5	132,4				

159

ORIGINAL PAGE IS OF POOR QUALITY

REV. ALPHA 12/73	FREQ	ANGLES FROM INLET IN DEGREES (AND RADIANS)																PWL
		30	40	50	60	70	80	90	100	110	120	130	140	150	160	0	0	
NO EGA	50	70.3	72.6	70.6	71.4	72.2	71.6	71.9	76.8	76.6	82.8	78.8	82.0	85.6	98.2			125.4
RDG. NO. 0	60	73.6	73.6	72.9	73.2	74.0	74.7	75.8	78.9	78.1	84.8	82.1	85.4	93.0	98.8			127.2
RADIAL 40, FT. (12. M)	80	76.6	77.1	76.3	76.1	76.5	77.4	78.8	80.6	81.1	86.0	86.0	89.4	92.3	99.6			128.4
VEHICLE JENQTS	100	79.4	79.4	79.9	79.2	79.9	81.4	83.0	85.8	86.2	90.7	88.9	94.5	97.8	102.2			132.0
CONFIG JE-056	125	82.7	82.2	81.7	82.3	81.7	84.0	86.4	88.7	89.0	92.5	92.7	97.4	100.0	104.0			134.3
LOC EVENDALE	160	88.7	88.9	88.2	88.4	88.9	87.9	89.1	91.2	94.2	95.2	94.4	99.4	102.9	105.6			136.6
DAYE 04-22-75	200	89.0	88.0	88.5	86.8	86.5	89.0	89.0	89.8	93.0	95.8	98.8	103.4	106.0	109.8			139.8
RUN DBTF-MODEL 2	250	90.3	90.0	90.3	91.0	90.0	90.0	89.3	91.0	91.8	98.3	98.3	102.5	105.8	109.2			141.6
TAPE X20606	315	91.5	89.8	90.5	91.0	91.3	91.7	89.8	95.3	96.8	201.3	105.8	108.4	112.2	114.3			145.1
BAR 29.6 HG	400	90.4	87.7	90.1	89.7	90.4	91.0	92.8	94.6	98.1	202.6	104.8	111.8	113.2	111.4			145.5
(01039, N/M2)	500	93.6	93.6	93.3	91.3	92.2	93.9	95.0	97.0	98.7	201.4	106.0	115.1	115.6	111.3			147.7
TAMB 59, DEG F	630	95.8	95.5	94.2	93.0	93.2	93.8	95.6	96.9	99.7	203.5	111.0	116.8	116.4	113.1			149.4
(288, DEG K)	800	97.3	95.4	96.0	95.2	95.3	96.9	96.4	99.4	101.0	205.0	111.2	116.3	115.0	115.7			149.3
TWET 53, DEG F	1000	97.2	96.2	96.6	95.8	96.5	97.2	98.4	101.2	101.7	207.1	113.8	118.5	115.4	111.7			149.7
(285, DEG K)	1250	96.3	96.2	95.7	96.2	96.6	98.5	99.0	100.5	102.1	206.3	112.6	115.7	114.1	109.7			148.8
HACT 8.91 GM/M3	1600	96.3	95.6	94.8	96.4	97.0	97.9	98.3	100.3	102.5	205.6	111.7	115.5	113.4	108.5			148.3
(.00891 KG/M3)	2000	96.8	96.3	95.8	94.3	95.1	96.4	97.5	99.9	102.3	205.6	109.3	114.7	110.2	105.5			146.8
FREQ. SHIFT	2500	95.6	95.9	95.5	95.7	95.3	96.1	96.8	99.4	101.3	205.4	108.7	112.9	109.3	102.9			143.7
JET 0	3150	94.4	95.2	94.3	94.8	95.9	96.3	96.6	98.9	101.0	204.6	107.0	110.0	104.0	99.2			143.0
DIAMETER RATIO	4000	94.5	95.8	95.4	94.6	95.0	96.1	96.8	98.8	101.3	204.3	106.2	109.1	102.0	96.6			143.7
DF/DM 1.00	5000	92.3	95.3	96.4	97.4	97.4	97.4	96.4	98.1	100.6	202.9	104.6	106.4	99.6	95.1			141.8
	6300	92.3	95.6	95.6	96.3	97.6	98.4	97.5	98.5	100.5	202.7	103.0	104.3	97.9	94.2			141.3
	8000	91.6	94.8	94.8	96.6	97.5	98.2	97.3	100.6	100.7	203.2	102.7	102.3	96.0	93.4			141.5
	10000	90.2	93.7	94.1	95.0	96.9	97.4	97.7	100.6	101.3	203.6	101.8	100.5	93.9	92.1			141.5
	12500	87.3	94.9	91.4	92.4	94.4	94.4	95.2	97.2	99.3	202.2	99.3	98.6	92.4	90.2			139.7
	16000	83.6	88.4	88.1	89.5	90.0	90.9	91.8	93.8	95.9	97.4	95.8	95.8	89.9	86.9			136.5
	20000	80.7	82.9	85.6	86.2	86.7	88.0	88.4	90.1	93.1	94.7	92.4	93.3	89.9	85.6			134.9
	25000	77.8	80.8	81.6	82.3	82.9	84.7	84.8	86.5	90.1	92.1	90.5	90.3	90.6	85.0			131.9
	31500	77.2	78.4	78.7	80.2	79.8	80.1	81.0	82.7	86.8	89.8	88.8	89.2	89.4	86.4			130.8
	40000	78.2	78.7	77.7	79.0	79.4	79.2	80.0	81.6	89.4	91.6	90.3	90.8	88.4	89.5			132.7
	50000	79.9	79.9	78.0	80.3	80.8	79.8	80.8	83.1	90.8	93.9	92.2	92.4	90.6	91.2			136.5
	63000	81.3	79.9	78.7	80.9	82.2	81.5	82.1	84.3	92.7	96.2	93.0	94.5	92.3	92.7			141.1
OVERALL MEASURED																		
OVERALL CALCULATED		107.4	107.7	107.6	107.7	108.4	109.2	109.7	111.9	113.8	117.3	121.7	126.3	134.9	123.0			159.6
PND8		119.9	126.1	119.8	119.9	120.3	121.1	121.5	123.8	125.8	129.5	133.1	137.4	134.9	131.7			

160

260

REV, ALPHA 12/73	FREQ.	ANGLES FROM INLET IN DEGREES (AND RADIANS)															PHL
		30	40	50	60	70	80	90	100	110	120	130	140	150	160	170	
NO EGA	50	79.1	65.1	80.1	78.9	80.0	80.3	80.6	80.5	80.9	104.1	82.8	84.8	87.6	101.7	135.2	
RCG, NO. 0.	63	79.6	66.8	80.7	79.5	81.3	81.4	81.8	81.9	82.6	104.6	85.6	87.9	91.0	107.1	137.9	
RADIAL 40. FT.	80	80.1	66.6	82.0	80.9	81.8	82.4	83.3	84.1	84.1	105.6	88.2	91.9	93.8	106.9	137.9	
(12. M)	100	80.7	67.4	83.4	81.9	82.4	83.9	85.7	87.1	87.5	105.2	91.4	95.8	99.13	108.9	138.8	
VEHICLE JENOTS	125	83.5	68.0	84.2	83.7	83.7	83.7	86.7	88.9	90.5	105.9	94.7	98.4	101.3	111.0	142.2	
CONFIG JE#056	160	87.9	71.4	86.2	86.2	86.4	89.2	91.6	92.4	93.9	109.9	96.7	99.9	102.1	112.4	143.0	
LCC EVENDALE	200	88.0	73.5	86.3	87.3	87.8	90.3	91.8	92.5	93.5	103.3	100.1	104.1	105.2	110.0	140.7	
DATE 04-22-75	250	90.0	74.5	89.3	89.5	89.5	89.8	90.5	92.3	97.5	100.3	102.8	106.3	108.4	110.1	141.9	
RUN CBTF-MODEL 2	315	91.5	74.8	89.3	90.3	91.3	90.5	90.3	94.3	94.5	100.3	103.3	106.6	110.9	114.0	144.0	
TAPE X20700	400	89.4	72.0	88.6	87.9	89.9	89.7	91.3	94.1	95.8	100.8	100.8	107.0	111.7	108.1	142.7	
BAR 29.9 HG	500	91.3	75.6	91.6	89.5	91.2	91.6	94.0	96.2	98.2	101.4	103.2	110.6	109.6	108.6	143.5	
(01039, N742)	630	91.1	76.2	92.0	90.0	91.5	90.8	93.6	95.9	97.9	100.5	105.2	107.8	111.4	112.6	144.2	
TAMB 59. DEG F	800	90.5	76.2	91.6	91.8	92.5	92.5	94.2	97.4	99.6	102.8	105.5	107.0	107.0	106.0	142.1	
(288. DEG K)	1000	91.3	75.1	91.8	92.4	93.4	93.4	95.7	97.1	99.4	103.1	105.2	105.4	106.8	100.9	141.4	
TWET 53. DEG F	1250	91.2	75.9	92.0	92.0	93.0	93.4	95.4	97.4	98.9	103.1	105.3	105.0	105.2	108.9	141.0	
(285. DEG K)	1600	90.0	76.7	92.4	92.7	93.8	94.2	96.3	97.7	99.3	102.5	103.8	104.0	103.4	98.2	140.3	
MACT 8.91 GM/M3	2000	91.1	76.8	92.3	94.2	95.0	94.9	95.9	97.8	100.0	102.4	103.7	103.8	101.9	97.8	140.2	
(4.00891 KG/M3)	2500	91.1	77.3	94.8	93.5	94.4	94.9	96.2	98.2	101.0	103.1	103.0	104.2	101.4	97.2	140.5	
FREQ. SHIFT	3150	90.8	78.2	94.5	94.7	95.1	95.8	96.8	99.4	101.6	103.9	103.7	104.6	103.6	100.6	141.4	
JET 0	4000	90.7	78.2	94.2	94.6	95.9	96.3	97.6	100.4	102.5	104.4	105.0	105.0	104.0	99.8	142.2	
DIA METER RATIO	5000	91.5	79.2	94.4	95.1	96.3	97.6	99.1	102.3	104.1	105.9	105.7	106.9	105.8	101.4	143.6	
DF/CM 1.00	6300	92.0	79.6	95.3	95.9	96.9	98.5	99.9	102.6	104.1	105.4	106.4	107.2	106.6	102.6	144.1	
	8000	92.5	80.3	96.3	96.1	97.6	98.6	100.3	103.0	104.6	106.0	106.5	108.0	106.9	103.4	144.9	
	10000	93.6	81.8	97.1	97.6	98.6	99.5	100.3	102.9	104.7	106.0	106.5	106.8	106.5	103.6	145.1	
	12500	94.2	84.5	100.1	99.1	99.2	98.7	100.5	102.6	103.5	105.1	105.3	106.2	105.4	103.2	144.8	
	16000	93.8	86.2	101.1	98.4	99.1	98.6	99.5	101.7	102.0	104.2	104.1	104.4	103.6	99.7	144.2	
161	20000	90.6	81.9	99.4	99.4	99.2	97.4	98.5	100.1	100.7	101.2	101.6	101.3	100.9	97.2	142.7	
	25000	87.6	79.3	95.8	96.7	96.7	96.4	95.6	97.8	98.3	98.9	98.1	98.5	98.6	94.6	140.7	
	31500	83.9	76.5	92.6	92.0	92.8	93.9	93.4	94.9	95.0	96.2	95.9	96.0	96.0	91.2	138.3	
	40000	80.9	74.1	90.1	90.1	89.7	88.5	89.2	91.6	91.9	92.7	92.2	92.4	93.3	89.3	135.7	
	50000	77.0	72.7	86.5	86.5	86.7	86.0	86.3	88.5	89.0	91.1	89.6	90.8	91.4	86.8	134.2	
	63000	73.4	73.6	83.5	83.7	82.8	82.0	82.8	85.8	87.6	90.5	88.5	89.0	88.9	86.2	134.2	
	80000	68.9	73.5	79.5	79.5	79.0	78.4	79.9	82.4	86.0	91.0	87.6	88.3	88.8	86.0	136.2	
OVERALL MEASURED		105.0	93.3	109.0	108.6	109.2	108.6	110.7	113.1	114.7	119.0	117.8	119.7	120.6	121.7	157.0	
OVERALL CALCULATED		116.2	102.8	118.8	118.9	120.0	120.7	122.1	124.8	126.6	129.9	129.7	131.1	130.9	129.7		



☆ 10 dB TOO LOW

ORIGINAL PAGE IS OF POOR QUALITY

ANGLES FROM INLET IN DEGREES (AND RADIANs)

REV. ALPHA 12/73	FREQ	30	40	50	60	70	80	90	100	110	120	130	140	150	160	PHI
		(0.52)	(0.70)	(0.87)	(1.05)	(1.22)	(1.40)	(1.57)	(1.75)	(1.92)	(2.09)	(2.27)	(2.44)	(2.62)	(2.79)	(0.0)
NO EGA	50	79.1	63.1	77.6	75.9	76.7	76.8	75.4	76.0	74.9	87.1	76.3	98.3	81.3	90.0	128.1
RDG. NO. 0	63	80.1	66.6	77.7	77.2	77.5	76.4	76.3	76.9	76.4	87.6	78.1	98.3	83.5	95.8	139.1
RADIAL 40 FT.	80	79.9	63.4	77.3	77.9	77.8	76.4	76.8	77.8	77.6	89.6	80.7	93.6	86.3	95.4	126.9
(12.4)	100	79.7	63.7	78.2	78.2	77.7	78.2	79.5	81.1	80.7	86.4	84.2	91.8	91.0	98.7	127.9
VEHICLE JENOTS	125	79.2	63.0	80.2	80.2	78.7	80.0	81.9	82.5	83.0	89.2	86.7	93.1	92.8	101.5	130.3
CONFIG JE#056	160	83.4	65.2	82.4	80.7	80.4	82.2	84.4	84.4	85.9	89.9	88.2	94.4	93.4	103.6	132.0
LOC EVENDALE	200	81.3	66.5	79.8	80.8	81.3	82.3	82.8	84.8	85.8	89.0	90.1	96.1	95.0	103.0	132.1
DATE 04-22-75	250	82.8	68.0	81.5	82.3	82.0	82.3	82.8	84.0	89.0	89.3	91.5	96.8	96.9	97.9	131.2
RUN DBTF-MODEL 2	315	83.3	68.5	81.3	82.0	82.0	83.0	82.0	85.8	85.5	88.5	91.5	97.1	97.9	105.3	133.9
TAPE X20710	400	80.2	63.5	80.3	80.4	81.7	81.7	83.1	85.1	86.8	89.6	89.0	97.8	98.2	98.9	131.7
BAR 29.9 HG	500	80.3	66.8	83.3	81.5	83.2	83.4	85.7	86.2	87.9	89.4	91.7	101.1	97.3	96.6	132.9
(01039, N/M2)	630	80.8	68.0	83.5	82.5	84.2	83.8	85.4	87.4	88.7	89.7	93.0	99.3	97.7	100.6	133.0
TAMB 59 DEG F	800	81.0	67.9	83.6	84.0	84.8	84.3	85.9	88.6	89.5	92.0	93.5	99.5	96.0	94.7	132.4
(288, DEG K)	1000	82.6	67.4	84.3	84.1	84.8	85.9	86.9	89.1	90.1	92.8	94.5	98.4	95.1	90.7	132.1
TWET 53 DEG F	1250	82.7	68.9	85.6	85.0	86.0	86.2	87.7	88.9	89.7	92.6	95.3	98.5	93.9	89.9	132.2
(285, DEG K)	1600	82.3	70.0	86.2	86.0	87.6	87.7	88.3	89.7	90.8	93.8	94.8	98.0	91.9	89.0	132.3
WACT 8.91 GM/M3	2000	84.6	70.8	87.3	88.7	89.7	89.4	89.0	90.6	92.2	94.6	95.9	99.8	93.9	90.3	133.7
(.00891 KG/M3)	2500	85.6	72.8	90.5	89.2	89.4	89.7	90.2	91.4	93.3	95.8	96.8	100.9	95.2	91.2	134.8
FREQ. SHIFT	3150	86.1	73.9	90.5	90.7	90.1	90.6	91.5	93.6	94.1	97.4	97.4	101.9	96.6	94.4	136.0
JET 0	4000	85.4	73.7	90.0	89.6	90.9	91.8	92.6	94.9	96.0	98.1	98.3	102.5	97.3	94.3	136.9
DIAMETER RATIO	5000	85.8	74.5	89.9	90.1	91.6	92.9	93.8	96.0	98.1	99.3	100.4	104.1	98.8	95.9	138.4
-DF/CM 1.00	6300	87.0	75.6	91.3	91.9	92.9	94.5	93.9	97.4	98.3	100.9	100.9	105.5	100.9	97.1	139.8
	8000	87.3	76.6	92.1	92.3	94.8	95.4	95.0	97.7	98.8	102.2	101.7	106.3	101.7	99.4	140.9
	10000	89.4	77.3	93.1	93.1	95.8	96.2	96.1	99.7	99.7	102.2	101.7	106.6	102.5	100.9	141.8
	12500	88.7	78.0	93.9	93.6	95.5	96.2	97.0	98.9	100.3	102.0	102.2	106.6	102.5	101.6	142.1
	16000	87.8	79.2	93.6	93.2	95.6	95.6	96.5	99.0	99.5	101.2	100.6	105.4	101.9	100.2	141.8
162	20000	89.1	80.9	95.1	93.9	94.7	93.9	94.8	97.3	97.9	98.2	99.1	103.1	99.4	97.2	140.4
	25000	88.4	81.1	97.3	95.4	94.4	93.2	92.8	94.6	94.8	95.9	95.6	100.5	97.1	94.6	139.1
	31500	81.4	74.5	90.6	91.5	92.1	91.6	89.7	92.1	91.8	93.2	92.6	97.0	94.3	90.9	136.4
	40000	78.9	72.8	86.6	86.9	87.4	87.0	85.9	88.6	88.4	89.2	88.7	93.1	90.5	88.5	133.2
	50000	75.8	72.2	85.0	84.8	84.0	83.5	83.5	85.7	85.7	86.6	85.6	90.6	88.2	85.5	131.6
	63000	71.7	73.1	81.5	81.7	81.0	80.3	80.3	82.8	82.6	84.5	82.5	87.2	85.9	83.5	130.6
	80000	68.1	73.2	77.8	78.0	78.3	77.4	77.7	80.4	79.0	83.0	79.8	83.3	82.6	80.3	130.7
OVERALL MEASURED		99.5	89.2	104.5	104.0	103.2	105.4	105.7	108.1	109.1	111.1	111.4	117.1	112.3	113.3	251.7
OVERALL CALCULATED		130.5	97.7	114.0	114.1	114.8	115.7	116.1	118.4	119.8	122.3	122.7	127.6	123.1	121.9	



☆ 10 dB TOO LOW

SPL INPUT AT STD REV. ALPHA 12/73	FREQ.	ANGLES FROM INLET IN DEGREES (AND RADIAN'S)																		PWL
		30.	40.	50.	60.	70.	80.	90.	100.	110.	120.	130.	140.	150.	160.	0.	0.	0.		
NO EGA	30	61.6	62.1	62.6	63.2	63.5	63.1	63.6	65.5	66.4	68.1	69.0	71.5	73.8	74.9				109.7	
RDS. NO. 0	63	64.8	65.1	64.9	65.5	65.5	65.9	66.5	69.9	70.4	71.8	73.1	75.1	77.7	78.3				112.3	
RADIAL 40. FT. (12. H)	80	66.1	65.9	66.5	66.9	66.8	67.4	68.6	70.3	71.1	73.4	75.5	78.4	80.8	82.1				114.9	
VEHICLE JENOTS	100	68.4	67.6	68.4	69.1	69.1	70.1	72.9	73.8	75.2	76.1	78.4	81.8	83.8	85.9				118.7	
CONFIG JE-058	125	70.9	69.9	69.7	70.4	69.9	72.4	75.1	75.9	78.9	79.7	81.4	84.3	87.5	88.3				121.0	
LOG EVENDALE	160	76.1	73.4	72.4	73.4	73.1	76.1	78.1	79.1	80.9	82.4	83.4	85.4	88.3	88.3				122.5	
DATE 04-29-75	200	74.0	74.0	73.3	74.0	74.3	76.5	77.5	79.3	80.3	83.0	84.3	86.4	88.7	89.8				123.2	
RUN DBTF-MODEL 2	250	76.3	76.5	75.8	76.5	76.5	77.0	77.3	78.8	84.3	84.0	85.3	86.0	89.9	89.9				124.1	
TAPE X20720	315	75.5	77.0	76.5	77.3	78.0	78.7	77.8	81.8	81.3	83.5	86.0	86.1	90.4	92.0				124.7	
BAR 2975 HG (99533, N/M2)	400	74.9	72.7	70.8	76.1	77.4	77.4	79.0	81.3	82.3	84.8	83.5	88.8	91.7	89.1				124.9	
TAMP 69. DEG F (293, DEG K)	500	75.3	76.1	78.3	77.0	78.2	79.4	80.4	81.7	82.9	84.4	86.2	91.4	91.1	88.1				125.6	
THET 34. DEG F (285, DEG K)	630	76.3	78.2	79.2	78.9	80.2	79.5	81.8	82.9	84.4	85.2	87.9	90.3	91.6	88.1				126.1	
HACT 0. GH/M3 (, KG/M3)	800	76.9	78.4	79.1	80.0	80.8	80.3	81.4	84.1	85.0	87.8	89.7	89.3	89.2	90.4				126.5	
FREQ. SHIFT JET 0	1000	79.1	77.9	80.3	80.4	81.0	82.2	83.7	84.3	86.1	86.8	90.0	89.9	89.1	86.2				126.9	
DIAMETER RATIO DF/DH 1.00	1250	78.7	77.2	81.4	81.3	82.2	83.4	83.9	85.4	85.9	89.1	92.1	90.7	89.2	86.4				127.8	
	1600	79.3	81.5	83.2	83.5	84.6	85.7	85.5	85.7	87.3	89.8	91.6	90.0	89.6	85.7				128.4	
	2000	82.1	81.6	84.8	87.4	88.0	87.6	87.3	83.3	88.5	91.4	92.7	92.3	91.3	88.0				130.2	
	2500	82.1	84.8	87.5	87.9	87.1	87.2	87.9	89.4	90.5	92.6	93.5	92.9	91.4	88.7				131.0	
	3150	82.3	85.2	87.8	88.2	88.1	88.3	89.3	90.4	91.3	93.9	94.4	94.1	92.8	90.1				132.2	
	4000	81.2	84.7	87.2	87.6	88.4	89.3	90.1	91.7	93.1	95.1	95.3	94.6	93.8	91.3				133.1	
	5000	82.3	85.8	87.4	88.6	88.8	90.3	91.8	93.0	95.1	97.5	97.2	96.6	95.3	93.1				134.9	
	6300	83.5	83.3	89.9	90.1	90.7	92.2	92.7	94.2	95.3	98.7	98.4	97.7	96.9	94.9				136.3	
	8000	83.8	87.8	90.1	90.3	92.3	93.4	93.3	95.3	96.3	100.0	99.2	98.5	98.4	97.9				137.7	
	10000	85.1	83.3	90.6	91.4	93.1	94.0	94.3	95.4	97.5	99.8	100.3	99.9	99.3	98.9				138.8	
	12500	85.0	83.8	90.9	91.6	93.0	94.0	95.8	96.9	97.8	99.9	100.1	99.8	100.0	99.4				139.3	
	16000	84.1	83.2	89.7	90.2	92.1	93.4	95.0	96.5	98.8	98.5	98.4	99.2	99.7	98.3				138.8	
	20000	82.9	87.5	90.7	91.0	91.2	91.7	93.1	94.6	95.7	96.7	96.4	96.9	99.2	97.5				137.9	
	25000	81.7	90.4	91.4	90.5	90.2	90.5	90.4	91.9	93.4	93.9	93.1	94.1	95.1	94.9				134.0	
	31500	77.0	85.8	87.9	88.6	87.4	88.4	88.2	89.4	89.6	91.8	90.4	91.3	92.3	90.5				133.8	
	40000	73.4	81.9	84.4	85.2	85.5	85.3	84.7	85.1	87.0	87.8	86.5	87.1	89.1	88.4				131.2	
	50000	70.9	78.6	81.6	81.9	81.3	82.1	81.8	83.8	83.8	86.2	83.7	85.4	86.7	85.3				129.6	
	63000	68.2	75.4	77.3	77.8	77.6	77.0	77.8	81.9	81.1	85.5	81.3	82.8	84.5	83.0				129.0	
	80000	67.4	70.7	72.3	73.5	73.5	74.1	74.7	81.4	78.6	85.8	79.1	81.4	82.6	80.6				150.6	
OVERALL MEASURED																			148.1	
OVERALL CALCULATED		95.1	98.9	100.9	101.4	102.1	103.0	103.9	105.4	106.4	108.7	108.7	108.7	108.9	107.7					
PNDB		106.5	108.5	110.8	111.3	111.9	113.0	113.7	115.1	116.6	119.1	119.4	119.2	118.8	117.1					

ORIGINAL PAGE IS OF POOR QUALITY

SPL INPUT AT STD REV, ALPHA 12473	FREQ	PROC DATE MONTH 37 DAY 0 NR 018														PHL		
		(0.52)	(0.70)	(0.97)	(1.05)	(1.22)	(1.40)	(1.57)	(1.75)	(1.92)	(2.09)	(2.27)	(2.44)	(2.62)	(2.79)		(2.97)	(3.15)
20	30	73.8	74.8	75.1	75.9	75.5	75.3	75.4	75.8	77.1	79.4	81.3	82.4	82.7	82.1	82.7	82.7	118.4
30	40	76.6	76.6	77.4	78.2	78.5	79.1	78.5	79.4	80.6	83.8	85.6	87.1	82.2	84.8	84.8	84.8	121.9
40	50	78.6	79.6	80.0	81.1	80.3	80.2	81.0	81.8	83.1	86.3	89.2	87.9	85.3	87.6	87.6	87.6	124.7
50	60	82.6	82.6	82.9	83.1	82.6	83.9	86.7	86.6	88.0	90.3	92.4	92.4	90.5	91.2	91.2	91.2	128.6
60	70	85.4	84.8	84.2	84.7	84.4	87.4	89.4	89.9	91.2	93.7	95.2	89.6	92.5	93.5	93.5	93.5	131.4
70	80	91.9	88.6	87.9	88.9	88.6	89.9	92.6	92.6	95.2	97.3	98.9	91.4	93.3	95.3	95.3	95.3	134.7
80	90	91.8	91.3	88.8	90.3	90.0	91.8	92.8	93.8	96.8	100.8	103.6	96.9	99.0	99.5	99.5	99.5	138.0
90	100	94.8	93.3	92.5	93.0	92.8	94.5	94.5	95.8	102.0	103.3	106.8	98.8	102.2	101.1	101.1	101.1	141.0
100	110	97.0	95.3	94.3	96.4	97.0	97.4	96.3	100.5	102.0	108.0	110.8	101.9	105.9	107.4	105.6	105.6	144.7
110	120	94.1	92.2	94.8	96.4	95.9	98.2	99.3	100.6	103.8	108.6	109.3	105.0	107.4	104.8	104.8	104.8	146.0
120	130	98.3	98.3	97.8	96.5	96.2	97.9	99.4	101.7	102.9	106.6	111.9	108.1	110.3	104.8	104.8	104.8	148.0
130	140	100.6	99.7	99.4	98.4	99.2	99.0	101.1	102.9	105.2	108.9	114.4	109.6	110.9	107.3	107.3	107.3	148.5
140	150	101.9	100.1	100.1	100.0	100.5	100.3	101.4	104.4	106.0	110.8	114.7	108.3	108.9	111.4	111.4	111.4	148.8
150	160	102.8	100.6	100.8	100.4	100.5	101.9	104.2	104.6	106.9	112.2	115.0	107.4	108.1	107.7	107.7	107.7	149.4
160	170	101.0	100.7	100.4	100.3	101.5	102.2	103.7	104.7	107.4	111.9	116.3	108.2	107.4	105.9	105.9	105.9	147.9
170	180	99.8	100.2	99.9	101.2	101.3	102.5	104.0	105.7	107.3	110.8	113.8	104.5	105.6	104.0	104.0	104.0	147.6
180	190	100.6	99.0	98.5	101.4	101.2	102.6	103.5	105.6	107.5	110.9	112.9	103.8	104.6	103.2	103.2	103.2	146.4
190	200	97.1	98.8	99.5	99.0	99.6	100.9	102.9	104.9	107.3	110.3	111.0	101.9	101.2	100.2	100.2	100.2	145.7
200	210	95.4	96.9	97.0	98.3	98.9	100.6	101.9	103.7	105.8	108.9	110.2	101.4	100.1	98.6	98.6	98.6	144.8
210	220	94.3	96.0	96.1	97.6	98.6	100.6	101.5	103.8	106.1	108.5	108.0	97.1	96.5	95.4	95.4	95.4	144.6
220	230	93.3	95.1	95.5	97.4	98.4	100.0	100.7	102.9	104.8	107.9	106.6	96.0	95.6	94.4	94.4	94.4	143.7
230	240	91.8	94.6	95.4	96.6	98.3	99.1	100.3	102.0	103.8	106.0	104.7	94.3	93.2	91.4	91.4	91.4	142.8
240	250	90.9	93.3	93.8	95.6	97.3	98.0	98.8	100.9	102.3	104.5	103.3	93.1	94.1	93.7	93.7	93.7	141.8
250	260	88.5	91.3	92.1	93.8	95.0	96.2	97.8	99.1	100.8	102.9	101.3	91.3	92.5	92.1	92.1	92.1	140.4
260	270	85.8	88.4	89.7	91.5	93.1	94.4	95.5	97.5	99.1	100.2	99.1	89.7	90.2	89.5	89.5	89.5	138.7
270	280	82.1	85.5	86.1	88.7	89.7	90.9	92.8	94.3	95.1	97.7	96.1	86.6	87.2	86.5	86.5	86.5	135.3
280	290	78.8	83.6	83.6	85.5	86.0	88.0	89.4	91.1	93.4	94.4	92.6	84.3	84.6	83.6	83.6	83.6	133.5
290	300	75.1	79.8	79.1	81.3	81.9	83.9	85.5	88.2	88.8	91.2	89.4	81.8	82.3	80.0	80.0	80.0	130.6
300	310	72.9	75.4	76.4	78.2	79.0	79.8	81.5	83.9	84.7	87.8	85.0	80.9	81.4	79.9	79.9	79.9	127.6
310	320	73.9	74.1	73.6	75.6	76.8	78.8	78.8	83.0	82.8	88.7	82.4	83.1	83.0	80.6	80.6	80.6	128.1
320	330	75.2	73.9	73.3	76.3	76.8	75.1	79.3	84.9	82.1	90.5	82.6	86.0	85.2	83.0	83.0	83.0	131.4
330	340	76.4	73.7	72.8	75.3	78.5	78.1	78.0	87.4	83.1	92.3	83.9	87.6	87.6	85.3	85.3	85.3	136.2
OVERALL MEASURED																		
OVERALL CALCULATED		111.0	110.6	110.5	111.1	111.7	111.8	114.2	116.0	118.1	121.7	124.3	117.1	118.2	117.2	117.2	117.2	158.9
PNDB		122.0	122.9	122.7	123.8	124.0	124.3	126.6	128.3	130.3	133.8	135.2	128.0	127.4	128.5	128.5	128.5	

SPL INPUT AT STD REV, ALPHA 12473	RREQ	ANGLES FROM INLET IN DEGREES (AND RADIAN)																	PHL
		30	40	50	60	70	80	90	100	110	120	130	140	150	160	170	180		
NO EGA	30	66,8	67,1	67,4	67,9	68,0	67,8	68,1	70,5	70,6	77,3	74,0	77,3	80,6	93,2			120,5	
BDG, NO, 0	83	69,6	70,3	70,4	71,2	71,8	71,9	72,0	74,9	74,9	79,6	79,3	82,1	85,2	92,8			121,6	
RADIAL 40, FT.	100	71,4	73,4	73,0	73,4	73,0	73,2	74,3	75,3	76,3	82,1	82,2	85,6	88,3	94,1			123,6	
(12, M)	125	75,9	76,1	76,4	75,6	75,4	77,1	79,4	80,3	81,2	87,1	85,4	90,0	93,8	97,2			127,6	
VEHICLE JENOTS	160	85,4	81,9	81,1	82,1	81,6	83,1	85,6	85,1	88,1	90,1	91,6	95,1	97,6	100,3			129,6	
CONFIG JE=059	200	85,0	84,8	81,8	83,8	83,0	84,5	85,3	87,3	89,3	93,8	96,8	100,4	102,7	103,8			136,0	
LOC EVENDALE	220	87,8	87,5	85,8	86,0	86,0	87,3	87,0	88,8	94,8	94,8	100,3	103,0	106,2	107,9			138,9	
DATE 05-02-75	315	89,9	88,0	86,5	88,0	89,0	89,2	88,3	93,8	95,0	95,0	100,6	101,1	108,0	108,0			141,8	
BUN DBTF=HQDBL 2	400	86,4	85,7	86,3	87,1	87,9	89,2	91,3	93,8	96,3	96,3	100,6	101,1	108,0	110,7			142,8	
TYPE X20740	500	91,1	91,3	90,3	89,8	89,4	90,9	92,4	95,2	96,2	100,4	105,4	112,4	113,3	108,1			145,4	
BAR 29,5 HG	630	94,1	92,9	92,7	92,2	92,2	92,8	94,1	95,6	98,4	100,4	108,9	113,8	114,6	110,3			147,2	
199583, N/M2	800	94,9	93,9	93,9	93,5	94,0	93,5	95,4	98,4	99,5	104,5	109,7	113,0	113,7	114,7			147,6	
TAMB 68, DEG F	1000	97,6	94,9	95,3	94,7	94,5	95,4	97,2	98,3	100,6	106,5	111,2	113,4	113,6	111,7			147,7	
(293, DEG K)	1250	96,7	96,2	95,6	95,3	95,7	96,4	97,4	98,9	101,2	106,9	112,3	115,3	113,9	111,2			148,7	
THET 54, DEG F	1600	96,8	95,7	94,9	95,2	95,8	97,0	98,3	99,7	102,1	105,8	110,3	111,7	111,1	110,5			147,8	
(285, DEG K)	2000	96,8	95,8	94,3	96,4	96,7	97,1	97,9	99,8	102,7	105,9	109,4	112,5	110,3	107,8			147,8	
WACT 0, G/H3	2500	94,3	94,6	94,0	94,0	94,4	93,4	93,2	99,2	103,5	105,1	106,8	110,2	108,6	105,6			144,8	
1, KG/H3	3120	93,1	93,9	93,0	93,7	94,1	93,1	96,8	98,4	100,6	105,1	106,2	110,2	108,6	105,6			143,8	
EREG, SMFT	4000	90,2	91,9	91,5	92,3	93,6	93,1	96,1	98,2	100,6	104,1	104,8	106,8	106,1	103,3			142,4	
JET 0	5000	90,0	91,0	90,6	91,6	92,3	94,3	96,0	98,3	100,8	103,5	104,0	105,6	105,3	101,6			141,7	
DIAMETER RATIO	6300	88,0	90,8	90,3	91,9	93,2	94,2	95,2	97,2	99,3	102,5	102,6	104,0	103,9	100,9			140,6	
DE/DM 1,00	8000	87,3	90,1	89,4	91,3	92,1	93,4	94,6	96,8	98,8	101,8	101,8	102,8	103,2	100,9			139,9	
10000	86,4	88,3	88,6	90,1	91,6	92,2	93,1	95,9	98,0	99,8	99,8	100,6	102,3	100,2			139,0		
12500	84,2	86,8	87,4	88,8	90,0	91,0	92,3	94,4	96,1	98,2	97,8	98,8	99,7	98,4			137,5		
16000	81,1	83,9	84,7	86,2	87,9	88,7	90,5	92,3	93,8	95,5	95,4	97,2	97,9	96,0			135,8		
20000	77,7	81,0	81,4	83,2	84,5	85,7	88,1	88,8	91,4	92,9	93,1	94,4	95,9	93,2			133,5		
25000	75,2	77,6	78,6	80,2	81,2	82,5	84,1	86,4	87,6	89,4	89,4	91,6	92,6	90,4			130,9		
31500	72,0	74,3	74,6	76,6	77,1	79,7	80,7	83,7	84,3	87,0	86,7	88,3	89,6	86,7			128,4		
40000	70,2	71,9	72,1	73,7	74,2	75,0	76,7	80,4	81,2	84,3	83,0	85,6	87,4	85,4			126,3		
50000	70,6	71,3	70,8	71,9	73,3	73,3	75,3	81,0	78,5	85,4	81,9	85,6	86,4	84,1			127,0		
63000	72,5	72,4	71,3	72,5	73,3	73,3	75,8	83,6	80,6	88,8	82,8	86,5	86,7	84,3			130,4		
80000	73,1	73,0	72,5	73,5	76,0	75,6	78,7	85,7	81,8	90,3	84,1	88,4	88,1	85,1			135,1		
OVERALL MEASURED		105,2	105,4	104,9	105,4	105,2	106,8	108,1	110,1	112,3	116,3	119,8	123,0	123,5	121,4			157,5	
OVERALL CALCULATED		117,7	117,7	117,0	117,7	118,2	119,2	120,6	122,5	124,7	128,8	130,9	133,9	134,5	132,0				

ORIGINAL PAGE IS
OF POOR QUALITY

SPL INPUT AT STD REV; ALPHA 12/73	FREQ.	ANGLES FROM INLET IN DEGREES (AND RADIAN'S)																PHLI	
		30.	40.	50.	60.	70.	80.	90.	100.	110.	120.	130.	140.	150.	160.	0.	0.		0.
NO EGA	50	63.8	67.3	70.9	71.4	70.5	70.1	70.6	72.3	73.6	79.1	81.3	87.5	85.6	98.9				126.2
RDS. NO. J.	63	73.6	73.8	73.1	74.0	73.8	73.1	74.0	73.2	79.1	82.6	87.6	90.9	90.7	99.6				128.1
RADIAL AT FT.	80	74.9	79.1	75.8	75.6	75.0	75.2	76.8	78.1	79.6	83.1	85.7	91.1	91.3	100.1				128.5
(12. M)	100	75.9	77.6	78.6	78.9	78.1	79.4	81.4	82.8	83.7	88.1	89.4	94.3	97.6	102.2				131.6
VEHICLE JENOTS	125	81.9	81.9	80.9	81.4	79.9	82.7	84.9	85.7	86.9	92.4	92.7	96.8	98.5	104.0				133.8
CONFIG JE-059	180	87.9	84.6	84.4	84.9	84.1	85.1	87.3	87.6	90.4	93.9	95.1	99.1	101.6	105.3				135.9
LOG- EVENDALE	200	87.8	87.3	85.3	85.5	85.0	86.0	87.8	89.3	91.5	96.0	99.3	103.1	105.7	107.0				138.8
DATE 04-29-75	250	90.0	90.0	87.8	88.8	88.0	89.3	89.0	90.8	97.0	99.0	103.3	105.8	108.9	108.6				141.6
RUN-DBTF-MODEL 2	315	92.0	90.0	89.3	90.8	91.3	91.4	90.3	95.3	96.8	102.3	106.5	107.6	111.7	112.3				144.4
TAPE X20750	400	87.1	87.7	89.3	89.4	90.1	91.2	93.8	96.3	98.5	103.6	105.0	110.8	112.9	110.1				145.2
BAR 2975 HG	500	94.1	93.6	93.1	91.8	91.7	93.1	94.9	97.4	98.9	103.4	108.2	115.1	116.8	111.3				148.5
(99583, N/M2)	630	97.1	96.9	95.4	94.9	94.9	94.0	96.8	98.4	100.9	105.7	112.7	116.8	117.4	111.8				150.1
TAMB- 68. DEG F	800	98.2	96.7	96.9	96.3	96.0	95.8	97.6	100.6	102.3	108.0	113.7	116.8	116.2	116.2				150.6
(293, DEG K)	1000	100.6	97.9	98.0	97.1	96.8	97.9	99.2	101.1	103.9	110.3	115.4	116.9	116.1	113.7				151.0
TRET- 84. DEG F	1250	100.2	99.2	98.9	97.8	98.7	99.2	99.7	101.7	103.7	110.1	116.8	119.5	116.7	112.7				152.3
(285, DEG K)	1800	99.8	99.0	98.7	98.7	98.8	100.0	100.8	102.7	104.6	109.3	115.3	117.5	116.6	112.2				151.2
FACT 0: G4/M3	2000	100.6	99.3	97.5	99.7	99.5	99.9	100.3	102.3	105.0	109.1	114.4	117.5	116.3	111.8				151.0
(. KG/M3)	2500	98.6	99.3	98.5	97.5	97.9	98.4	99.9	102.4	104.5	109.1	111.8	115.7	113.7	109.5				149.1
FREQ. SHIFT	3150	98.8	99.4	97.8	98.2	97.9	97.8	99.3	101.9	104.6	108.6	111.2	114.6	112.3	107.9				148.3
JET 0	4000	95.9	97.7	97.5	97.6	98.1	98.1	99.4	101.4	104.1	107.9	109.6	112.3	109.1	106.3				146.7
DIAMETER RATIO	5000	95.5	97.8	96.6	97.6	97.1	97.6	99.3	101.8	104.6	107.3	109.5	110.9	108.5	104.9				145.1
DF/DM 1.00	6300	93.8	96.6	96.5	97.9	98.7	98.2	98.9	100.9	103.3	106.7	107.9	110.0	108.1	103.6				145.4
	8000	92.0	95.1	95.4	96.6	97.6	97.9	98.1	100.3	102.3	104.7	106.5	108.3	106.9	103.9				144.3
	10000	90.4	94.1	94.1	95.9	95.5	96.2	97.6	99.4	101.8	103.8	105.3	106.6	105.8	102.9				143.5
	12500	89.0	92.0	92.6	94.3	94.7	95.0	96.3	98.1	99.8	102.2	103.3	104.8	104.5	100.6				142.1
	16000	85.4	89.4	90.2	91.2	92.9	92.9	93.8	96.5	97.8	100.2	100.9	103.4	101.9	98.3				140.5
	20000	82.4	86.5	86.7	88.5	89.5	90.4	91.1	93.6	95.2	97.4	98.4	101.4	100.2	96.0				138.5
	25000	75.9	82.9	84.1	85.5	86.2	87.2	88.4	90.9	92.4	94.7	95.4	99.1	98.1	93.9				138.5
	31500	75.2	79.3	79.9	81.8	82.9	84.7	85.5	87.9	88.8	92.0	93.2	97.3	96.1	91.7				134.7
	40000	73.7	78.1	77.1	78.9	79.2	80.3	81.2	85.4	86.2	90.0	92.0	95.4	94.6	91.6				133.6
	50000	73.6	75.8	74.6	76.6	77.3	77.3	79.1	85.5	83.5	91.2	93.2	96.4	96.0	92.6				135.5
	63000	75.0	77.4	74.6	77.0	77.8	77.1	79.1	87.9	84.4	93.0	95.1	97.5	98.0	95.0				139.0
	80000	76.9	77.2	74.8	76.8	78.8	78.1	80.2	89.7	85.1	95.3	97.1	99.1	99.1	97.1				143.8
OVERALL MEASURED																			
OVERALL CALCULATED		109.6	109.5	108.9	109.3	109.5	109.9	111.0	113.2	115.5	119.9	124.3	127.2	126.5	123.5				151.3
PNP3		122.0	122.5	121.5	121.9	121.9	122.1	123.4	125.7	128.2	132.3	135.6	138.7	137.7	134.4				

SPL INPUT AT STD REV. ALPHA 12/73	ANGLES FROM INLET IN DEGREES (AND RADIANS)																	RWL
	30,	40,	50,	60,	70,	80,	90,	100,	110,	120,	130,	140,	150,	160,	0,	0,	0,	
FREQ. (0.52)(0.70)(0.87)(1.05)(1.22)(1.41)(1.57)(1.75)(1.92)(2.09)(2.27)(2.44)(2.62)(2.79)(0,)(0,)(0,)	50	71.6	72.1	74.9	73.2	73.7	73.6	74.1	75.3	75.4	87.1	81.3	88.3	87.3	100.7			128.2
NO-EGA	53	73.3	75.1	79.1	78.0	78.3	78.1	78.8	80.2	79.9	88.1	88.6	92.1	91.2	100.8			129.6
RDG. NO. 0	80	73.1	79.1	79.0	77.9	78.3	78.4	80.3	81.1	81.8	90.9	88.0	93.9	94.3	101.6			130.8
RADIAL 40 FT. (12. M)	130	82.1	81.1	82.9	82.1	82.1	83.1	84.9	85.6	87.0	94.9	91.6	98.0	100.5	104.7			134.9
VEHICLE JENOTS	125	84.7	93.7	84.2	84.4	82.9	85.7	88.1	88.7	89.9	98.4	95.2	100.8	102.3	106.3			137.1
CONFIG JE-C58	150	97.9	87.6	87.5	87.6	87.4	88.4	91.1	91.1	93.9	100.4	97.6	103.1	104.8	108.3			139.5
LOG EVENDALE	200	91.3	90.0	88.3	89.0	88.3	89.8	91.0	92.8	93.8	100.0	102.6	106.6	109.0	110.0			142.1
DATE 04-29-75	250	93.5	93.0	90.9	91.5	91.3	92.0	92.5	93.5	99.5	102.8	106.5	108.5	112.7	111.6			144.9
RUN D3TF MODEL 2	315	94.8	93.3	92.5	93.8	94.8	94.4	93.5	97.8	99.3	105.0	108.5	110.6	114.7	114.8			147.2
TAPE X20760	400	92.1	90.4	92.0	92.6	93.6	93.9	96.3	99.1	100.5	106.6	107.5	113.8	116.2	112.6			148.1
SAR 2915 H3	500	97.1	97.3	96.8	94.8	95.4	96.4	98.4	100.7	101.4	107.4	111.9	119.4	119.8	114.8			152.1
(99583, N/M2)	630	99.8	100.4	98.7	97.7	97.4	97.3	99.3	100.6	104.2	109.4	116.2	120.8	120.4	114.8			153.6
TAMB 68 DEG F	800	100.7	99.9	100.1	99.5	99.0	99.0	100.6	103.4	105.8	111.8	117.4	120.5	119.7	118.7			154.1
(293, DEG K)	1000	103.3	102.4	101.5	100.1	100.3	100.9	102.9	103.8	106.9	113.6	119.7	120.7	119.6	116.9			154.7
THET 54 DEG F	1250	104.2	102.9	102.1	101.5	102.0	102.4	103.4	104.9	107.9	114.4	121.8	124.2	119.7	115.9			156.8
(285, DEG K)	1600	104.6	104.5	102.7	102.5	102.6	103.2	104.0	105.0	107.8	113.3	120.6	121.2	118.9	114.2			155.0
HAGT 0. SM/H3	2000	106.6	107.8	104.5	105.4	104.2	103.6	103.5	106.1	108.5	113.1	119.7	121.3	118.6	113.5			154.9
(, KG/M3)	3150	107.8	107.8	107.8	106.0	105.1	104.2	103.9	106.4	108.5	112.8	117.5	120.4	115.4	111.5			153.8
FREQ. SHIFT	4000	106.6	107.7	106.8	107.0	106.4	106.3	104.8	105.9	108.6	113.1	117.4	118.9	114.8	110.4			153.2
JET 0	5000	103.7	103.4	105.0	105.8	105.4	106.3	106.1	106.2	108.6	111.9	115.8	116.3	112.3	108.0			151.6
DIAMETER RATIO	6300	101.8	104.5	103.9	104.6	105.1	105.1	105.8	107.0	109.1	111.8	114.7	115.6	110.8	106.9			151.0
DF/DM 1.00	8000	100.5	103.3	103.3	104.9	105.2	105.7	104.7	106.9	108.3	110.7	113.6	114.7	113.1	105.6			150.4
	10000	97.6	101.3	101.3	102.9	103.1	103.5	103.3	105.2	106.8	108.3	111.0	111.4	108.1	104.2			148.5
	12500	95.2	95.8	99.9	101.1	102.0	102.0	102.3	103.9	104.8	106.7	109.6	110.5	106.7	101.4			147.4
167	16000	92.4	96.4	96.9	98.2	99.6	100.2	100.5	101.5	103.3	104.7	107.6	108.7	104.9	99.3			145.9
	20000	89.2	93.5	93.9	95.7	96.7	97.2	98.1	98.8	100.4	101.7	105.9	106.6	103.2	97.0			144.0
	25000	86.2	90.9	91.6	93.2	94.0	94.7	95.9	96.6	97.9	99.9	103.4	104.6	100.9	95.1			142.3
	31500	83.0	87.3	88.1	90.1	90.4	91.9	93.2	94.4	94.6	98.0	101.7	102.3	98.8	92.2			140.6
	40000	81.9	85.9	85.9	87.2	87.7	88.3	90.0	91.1	91.5	94.8	99.7	99.6	97.4	91.9			138.8
	50000	82.9	85.8	84.1	85.9	86.5	86.6	88.1	89.3	89.3	94.4	98.4	99.9	97.2	93.3			139.2
	63000	85.5	86.4	84.6	85.0	87.3	86.6	88.8	89.6	88.1	95.0	97.8	99.5	99.0	95.5			141.4
	80000	86.6	87.0	85.3	86.5	88.5	88.1	90.5	90.7	86.8	96.3	98.1	100.4	99.9	97.6			145.3
OVERALL MEASURED																		
OVERALL CALCULATED		115.6	116.1	115.4	115.6	115.5	115.7	115.8	117.4	119.5	123.9	129.3	131.4	129.4	126.2			165.3
PNBB		129.7	129.4	128.7	128.9	128.6	128.7	128.8	129.6	132.1	136.5	140.9	143.0	140.3	136.5			

ORIGINAL PAGE IS
OF POOR QUALITY

SPL INPUT AT STD REV, ALPHA 12/73	FREQ.	ANGLES FROM INLET IN DEGREES (AND RADIAN'S)																PWL	
		30.	40.	50.	60.	70.	80.	90.	100.	110.	120.	130.	140.	150.	160.	0.	0.		0.
NO EGA	50	60,1	61,6	62,1	61,7	62,0	62,8	63,9	64,8	65,9	65,8	67,3	68,5	71,8	72,4				107,0
RDG, NO. 0	63	63,1	64,1	63,9	63,7	64,5	68,9	66,3	67,4	67,6	69,3	70,8	72,1	76,0	76,6				110,6
RADIAL 40, FT.	80	63,6	64,9	65,8	65,9	66,3	66,9	67,8	68,6	70,1	71,4	73,2	75,9	79,0	79,9				113,0
(12, M)	100	67,1	67,6	68,9	67,6	67,9	69,4	71,9	73,1	74,5	75,9	77,6	81,0	84,8	86,4				118,2
VEHICLE JENOTS	125	69,4	68,2	68,4	69,9	69,7	71,9	74,6	74,9	76,4	79,2	80,7	84,1	87,8	88,0				120,8
CONFIG JE-060	160	73,9	71,1	70,9	72,4	72,4	74,6	77,3	77,4	80,1	81,1	82,1	84,4	88,3	90,1				122,3
LOC EVENDALE	200	75,0	75,3	73,0	73,8	74,5	76,0	77,5	78,3	80,0	82,5	83,8	86,4	89,5	94,5				124,6
DATE 05-08-75	250	77,5	77,3	77,3	77,3	77,3	77,8	79,0	80,5	86,3	85,5	86,8	87,0	91,4	93,6				126,0
RUN DBTF=MODEL 3	315	80,0	78,5	78,0	79,3	81,0	81,7	80,8	84,5	85,0	86,0	87,5	88,1	91,7	96,0				127,3
TAPE X30010	400	78,4	73,4	77,5	78,1	79,4	78,7	81,0	81,6	83,3	84,8	82,5	88,5	91,7	91,3				125,3
BAR 29,4 HG	500	74,6	75,8	77,6	76,3	77,2	78,1	80,7	81,2	82,7	83,7	84,9	90,4	91,8	92,3				125,8
(99347, N/M2)	630	76,1	77,7	79,2	77,9	79,4	78,8	81,1	82,6	83,4	83,4	84,9	89,6	90,9	93,1				125,8
TAMB 69, DEG F	800	77,2	79,9	78,9	79,0	79,8	78,5	80,4	83,1	83,5	86,0	87,7	89,5	89,7	92,2				126,0
(294, DEG K)	1000	78,1	77,4	78,8	78,4	80,0	81,2	82,2	83,3	83,6	85,6	86,4	88,4	89,6	87,4				125,2
TWET 56, DEG F	1250	77,2	77,4	78,6	78,5	79,0	79,7	82,2	82,7	83,7	85,1	86,8	88,7	87,4	84,4				124,7
(286, DEG K)	1600	76,8	78,5	78,4	78,2	79,6	80,5	81,8	82,2	83,4	84,7	85,8	86,7	84,9	82,0				123,8
HACT 0, GM/M3	2000	78,1	77,3	77,8	79,6	80,5	80,1	80,5	81,6	82,7	83,4	85,4	86,3	83,1	80,5				123,2
(KG/M3)	2500	77,5	77,8	78,0	77,2	78,8	79,2	80,4	81,4	82,5	83,1	83,7	84,7	80,9	78,0				122,3
FREQ. SHIFT	3150	74,8	76,9	77,5	78,2	78,3	78,1	79,5	80,9	81,3	83,3	83,6	83,6	80,0	76,9				121,8
JET 0	4000	73,1	75,1	77,2	77,0	77,6	77,8	78,8	80,4	81,3	83,1	83,5	82,0	77,8	75,5				121,2
DIAMETER RATIO	5000	73,0	76,0	76,8	76,8	77,5	77,8	79,0	80,9	82,3	84,2	84,7	81,8	77,2	75,8				121,8
DF/DM 1.00	6300	72,7	77,0	78,2	78,3	78,3	78,4	79,1	81,1	82,0	83,6	84,3	81,1	78,0	76,5				122,0
	8000	71,9	77,2	78,2	78,4	78,7	78,8	78,7	81,4	81,9	83,8	84,3	80,6	77,3	76,8				122,3
	10000	70,9	77,1	78,4	78,7	78,6	78,0	78,4	80,7	81,8	84,1	83,8	79,4	77,6	77,0				122,4
	12500	69,0	76,3	78,1	78,1	78,0	77,2	77,3	79,6	80,8	82,2	82,8	78,0	76,5	75,1				121,6
	16000	66,3	74,4	76,1	75,4	76,1	75,4	76,3	77,5	78,3	80,2	80,8	76,1	74,6	73,0				120,8
	20000	62,9	71,7	73,4	73,7	72,5	71,9	73,3	75,0	76,9	77,9	77,8	73,1	72,1	70,7				117,9
	25000	60,1	70,3	71,6	71,4	69,9	69,2	70,6	72,3	73,8	75,6	73,9	70,8	70,4	68,3				115,7
	31500	56,5	67,3	68,8	67,8	66,6	66,4	67,7	69,2	70,1	72,5	71,2	68,0	67,8	65,7				113,2
	40000	54,2	64,2	65,7	65,0	63,8	62,1	63,3	65,2	66,5	68,8	66,8	64,4	65,4	63,9				110,4
	50000	52,5	61,5	62,7	61,7	63,2	58,7	60,5	61,9	63,2	67,6	64,3	64,8	64,9	63,5				109,4
	63000	53,5	58,7	59,4	59,1	59,4	56,4	58,4	59,5	59,7	68,8	63,6	66,6	65,8	64,3				110,8
	80000	54,4	57,0	56,3	56,3	59,6	56,7	58,2	58,4	55,8	71,3	64,6	68,4	67,4	65,6				113,1
OVERALL MEASURED		89,1	90,3	91,1	91,2	91,9	92,1	93,3	94,8	96,1	97,5	98,4	99,8	101,2	102,9				137,6
OVERALL CALCULATED		101,0	102,1	102,8	103,1	103,7	103,8	105,1	106,7	107,5	109,1	109,8	110,2	109,3	110,1				

169

ORIGINAL PAGE IS
OF POOR QUALITY

SPL INPUT AT STD REV, ALPHA 12/73	FREQ.	ANGLES FROM INLET IN DEGREES (AND RADIANS)																		PWL
		30.	40.	50.	60.	70.	80.	90.	100.	110.	120.	130.	140.	150.	160.	0.	0.	0.		
	50	64,3	65,3	65,9	65,7	66,0	67,1	70,6	69,0	69,1	70,1	71,5	73,0	76,8	76,7				111,5	
NO EGA,	63	66,6	67,1	67,4	67,5	68,3	71,9	72,3	71,4	71,4	72,8	74,3	76,1	80,2	80,6				114,5	
RDG, NO. 0,	80	67,1	68,1	68,5	69,1	69,8	70,7	72,8	72,6	73,6	74,6	76,2	79,1	82,5	83,4				116,5	
RADIAL 40, FT.	100	70,4	71,1	71,6	70,4	70,9	72,6	76,2	76,3	78,0	78,9	80,4	84,3	88,5	89,9				121,7	
(12, M)	125	73,2	72,2	71,9	73,2	73,4	75,9	78,6	78,2	79,7	82,2	83,9	87,6	91,5	91,5				124,3	
VEHICLE JENOTS	160	76,9	74,6	74,6	75,9	75,6	78,6	80,6	80,9	83,6	84,9	85,4	88,4	92,1	93,3				125,8	
CONFIG JE-060	200	77,8	77,3	76,5	76,5	77,5	79,0	80,5	81,3	83,0	85,3	86,6	89,1	92,2	96,5				127,1	
LOC EVENDALE	250	79,5	79,5	79,0	79,3	80,0	80,3	81,3	82,3	88,0	87,0	88,5	89,3	93,4	95,6				128,0	
DATE 05-08-75	315	81,5	80,0	79,8	80,8	82,0	83,4	82,0	86,0	85,8	87,0	89,0	89,1	93,4	97,3				128,6	
RUN DBTF-MODEL 3	400	78,1	75,9	80,3	78,6	81,1	80,7	82,0	83,6	85,3	87,3	85,3	91,5	94,7	93,1				127,8	
TAPE X30030	500	77,3	78,8	80,3	78,8	80,2	80,9	82,7	83,9	85,7	86,7	87,7	93,6	94,6	93,8				128,5	
BAR 29.4 HG.	630	78,3	80,9	81,4	79,9	81,2	80,8	83,8	85,1	86,7	86,7	88,2	91,6	93,1	93,1				127,9	
(99347, N/M2)	800	79,2	82,4	80,9	81,3	82,3	81,3	83,6	85,6	87,3	89,3	91,2	92,3	91,9	92,7				128,6	
TAMB 69, DEG F	1000	80,1	79,6	81,8	81,4	82,8	83,9	84,4	85,1	86,6	89,1	89,7	90,9	90,6	88,2				127,7	
(294, DEG K)	1250	79,2	80,4	81,6	81,3	82,2	82,7	84,7	85,9	86,4	88,6	90,1	91,2	88,7	85,2				127,4	
TWET 56, DEG F	1600	78,8	81,2	82,1	82,0	82,6	83,7	85,0	85,7	86,6	88,2	89,6	89,7	87,1	84,0				127,0	
(286, DEG K)	2000	80,8	81,3	81,8	83,9	84,5	84,1	85,3	86,3	86,7	88,1	89,2	89,5	85,8	83,3				127,2	
HACT 0, GM/M3	2500	80,3	82,0	82,7	82,4	83,3	83,9	84,9	86,1	87,5	88,6	88,5	87,9	85,1	81,7				126,9	
(1 KG/M3)	3150	79,0	81,6	83,0	83,4	84,1	83,8	85,3	86,1	87,5	89,6	87,9	87,6	84,3	82,1				127,1	
FREQ. SHIFT	4000	77,6	80,9	82,7	83,8	83,8	84,3	85,1	87,4	89,0	90,8	88,3	86,3	83,5	80,7				127,7	
JET 0%	5000	77,7	81,7	83,3	83,8	84,2	85,3	86,5	88,7	91,5	93,5	89,9	86,8	83,7	82,1				129,5	
DIAMETER RATIO	6300	77,7	83,0	85,4	85,6	86,6	87,4	88,1	90,1	93,0	95,6	91,5	87,4	84,8	82,8				131,3	
DF/DM 1.00	8000	78,4	83,9	85,4	85,9	87,2	88,0	88,9	91,4	93,4	96,6	92,6	88,1	85,1	83,8				132,4	
	10000	77,9	83,6	85,6	86,4	87,1	87,8	88,9	91,7	94,0	96,1	92,8	88,2	85,6	84,0				132,7	
	12500	76,0	83,3	85,4	86,3	87,0	87,2	88,3	90,6	92,6	94,9	92,3	87,3	85,2	82,9				132,1	
	16000	73,8	82,1	84,1	83,9	85,4	85,6	86,8	89,3	90,8	92,4	89,8	85,1	83,1	81,0				130,6	
	20000	71,6	80,7	82,4	82,9	82,5	82,6	85,0	86,8	88,9	89,4	86,8	82,8	80,9	79,7				128,6	
	25000	68,9	79,3	80,3	81,2	80,4	80,7	83,1	84,3	86,1	87,4	83,4	80,0	79,4	78,1				126,8	
	31500	65,7	76,3	77,8	78,8	77,1	78,4	80,2	82,4	82,8	83,8	80,9	77,0	76,8	75,2				124,5	
	40000	63,2	73,2	75,4	75,5	74,5	74,6	76,5	78,7	80,0	79,3	76,5	73,4	73,1	72,4				121,7	
	50000	60,0	69,5	71,7	72,5	71,9	72,0	74,0	75,4	75,9	76,1	73,3	70,8	70,6	69,3				119,5	
	63000	58,5	65,2	67,6	69,3	68,9	68,9	70,9	72,4	72,7	73,1	70,1	69,3	68,5	66,8				118,3	
	80000	57,4	59,8	61,6	65,3	66,6	66,4	68,5	69,2	68,3	69,8	67,1	68,9	68,4	66,1				118,5	
OVERALL MEASURED																			142,9	
OVERALL CALCULATED		92,1	94,9	96,3	96,6	97,4	97,9	99,1	101,0	103,0	104,9	103,2	103,1	104,0	104,8					
PNDB		104,2	106,5	107,8	108,1	109,0	109,6	110,7	112,4	114,6	116,7	114,7	114,0	112,8	112,6					

170

30-

SPL INPUT AT STD REV, ALPHA 12/73	FREQ.	ANGLES FROM INLET IN DEGREES (AND RADIANS)															PWL		
		30. (0.52)	40. (0.70)	50. (0.87)	60. (1.05)	70. (1.22)	80. (1.40)	90. (1.57)	100. (1.75)	110. (1.92)	120. (2.09)	130. (2.27)	140. (2.44)	150. (2.62)	160. (2.79)	0. (0.)		0. (0.)	0. (0.)
NO EGA.	50	66.1	66.3	67.1	67.4	67.7	68.6	69.9	71.3	71.6	72.6	74.0	76.3	80.3	81.2				114.3
RDG. NO. 0.	63	68.8	70.1	70.4	70.2	70.5	73.1	73.0	73.9	74.4	75.8	77.6	80.4	84.2	85.3				118.0
RADIAL 40. FT.	80	70.9	72.6	73.3	73.1	73.0	72.9	75.1	75.8	77.1	78.6	81.0	83.9	87.5	88.4				121.0
(12. M)	100	73.9	74.9	75.4	74.4	74.9	76.1	78.9	80.3	81.5	82.6	84.9	88.8	92.5	94.2				125.8
VEHICLE JENOTS	125	76.9	76.2	75.9	76.7	76.7	78.9	81.9	82.4	83.7	86.2	88.2	91.6	95.0	95.3				128.1
CONFIG JE-060	160	81.6	78.6	78.6	79.6	79.4	81.9	84.3	84.4	87.6	88.6	89.6	92.4	96.1	97.3				129.8
LOC EVENDALE	200	80.5	80.5	79.8	80.0	80.5	82.3	83.5	85.0	86.8	89.5	90.6	92.9	96.5	99.3				130.6
DATE 05-08-75	250	82.5	82.0	81.8	82.5	82.8	83.8	84.0	85.0	90.8	90.0	91.8	93.3	97.4	98.4				131.2
RUN DBTF-MODEL 3	315	84.3	82.5	82.8	83.8	85.0	85.7	85.0	88.3	87.8	89.5	92.5	93.6	97.9	100.3				132.0
TAPE X30050	400	81.4	79.2	83.0	82.4	84.4	84.2	85.8	87.6	89.3	91.6	90.5	96.3	99.4	96.6				132.1
BAR 29.4 HG	500	81.3	82.3	84.3	83.0	84.7	85.4	87.4	88.2	90.2	91.2	93.2	97.9	98.6	96.3				132.6
(99347. N/M2)	630	82.1	83.7	84.4	83.2	84.9	85.3	88.1	88.9	91.2	91.7	94.2	97.1	97.4	94.8				132.4
TAMB 70. DEG F	800	82.9	84.7	84.9	85.8	86.3	86.3	87.9	90.4	91.3	94.3	96.0	96.8	95.7	94.9				132.9
(294. DEG K)	1000	84.1	83.4	85.5	85.4	86.8	87.2	88.7	90.1	91.6	94.6	95.5	95.4	93.1	91.2				132.3
THWT 54. DEG F	1250	83.7	84.7	85.6	85.8	86.7	87.4	89.9	90.4	91.7	94.6	96.1	96.5	91.9	89.9				132.6
(285. DEG K)	1600	83.3	85.5	85.4	86.0	87.1	88.0	89.8	91.0	92.1	94.3	95.4	94.5	92.1	88.5				132.2
HACT 0. GM/M3	2000	85.1	85.1	85.3	87.7	88.5	89.1	90.9	91.6	92.8	95.5	95.5	94.8	91.6	88.8				132.9
(. KG/M3)	2500	84.1	86.1	86.8	86.2	87.9	89.2	90.0	91.7	93.6	95.6	94.0	94.0	90.4	88.3				132.6
FREQ. SHIFT	3150	83.3	86.2	86.8	88.3	88.9	88.9	90.6	91.7	93.8	96.7	94.5	93.7	91.1	88.9				133.1
JET 0	4000	82.0	85.5	87.0	88.4	88.9	89.6	90.9	93.3	95.1	97.2	93.4	92.9	89.9	87.8				133.5
DIAMETER RATIO	5000	82.3	86.3	88.2	89.2	89.6	90.9	92.6	94.9	97.7	99.1	94.0	93.2	90.1	88.2				135.1
DF/DM 1.00	6300	82.6	87.7	89.1	91.0	91.5	93.1	94.3	96.3	99.2	100.3	94.5	92.8	90.5	88.2				136.6
	8000	83.4	88.2	90.2	92.0	93.2	94.8	96.2	98.1	101.2	101.8	95.6	92.9	90.6	89.3				138.4
	10000	84.5	90.0	91.8	93.3	94.0	95.4	96.8	100.1	102.7	102.9	97.4	93.5	91.2	90.1				140.0
	12500	84.2	91.0	92.8	94.3	94.9	95.2	97.0	99.5	102.0	102.9	98.0	94.5	92.4	91.1				140.3
	16000	81.9	90.2	92.7	93.2	94.4	94.2	96.0	98.0	100.1	100.7	96.6	93.2	91.4	89.5				139.2
	20000	79.4	87.5	89.9	91.5	91.7	91.9	93.6	95.3	97.5	97.5	93.6	90.1	87.9	86.2				136.9
	25000	76.7	84.9	87.1	89.2	89.0	89.7	91.1	93.1	94.6	94.9	89.9	86.8	84.6	82.9				134.7
	31500	74.0	81.8	84.3	86.3	86.1	88.1	89.5	90.4	91.1	92.3	87.2	83.8	82.1	80.0				132.6
	40000	70.6	78.6	81.1	83.4	82.9	84.2	85.7	86.6	88.2	88.5	83.4	79.9	78.6	76.8				129.8
	50000	67.6	74.8	77.3	79.4	79.1	80.3	82.1	83.6	84.6	85.7	80.5	78.4	76.5	74.6				127.6
	63000	63.3	70.7	73.6	75.6	74.9	75.9	78.1	81.2	81.9	84.1	77.4	77.1	75.8	74.6				126.8
	80000	59.7	66.5	68.3	69.6	71.1	71.4	73.7	78.9	77.8	83.6	75.9	77.6	76.1	75.1				127.8
OVERALL MEASURED		96.6	99.9	101.6	102.7	103.5	104.3	105.8	107.9	110.2	111.3	108.3	108.2	108.5	108.2				149.2
OVERALL CALCULATED		108.4	110.7	111.8	112.9	113.7	114.9	116.3	118.1	120.5	122.0	119.6	119.5	118.2	116.7				

171

ORIGINAL PAGE IS
OF POOR QUALITY

		ANGLES FROM INLET IN DEGREES (AND RADIANS)															PWL		
		30.	40.	50.	60.	70.	80.	90.	100.	110.	120.	130.	140.	150.	160.	(0.0)	(0.0)	(0.0)	
SPL INPUT AT STD REV, ALPHA 12/73	FREQ.	(0.52)	(0.70)	(0.87)	(1.05)	(1.22)	(1.40)	(1.57)	(1.75)	(1.92)	(2.09)	(2.27)	(2.44)	(2.62)	(2.79)	(0.0)	(0.0)	(0.0)	
NO EGA.	50	61.1	61.3	62.1	62.2	62.7	63.8	63.9	64.5	65.9	66.6	68.0	70.5	74.1	74.7				108.3
RDG. NO. 0.	63	64.3	66.1	65.4	65.5	66.0	71.6	66.5	67.9	68.6	70.1	72.1	74.4	78.2	79.1				112.4
RADIAL 40. FT. (12. M)	80	65.4	66.4	67.0	68.4	66.3	66.4	68.1	69.3	70.6	72.6	75.5	78.6	81.3	82.6				115.1
VEHICLE JENOTS CONFIG JE-060	100	68.4	68.6	69.1	68.1	68.4	69.6	72.2	74.1	75.2	76.6	79.1	82.3	87.0	87.9				119.8
LOC EVENDALE DATE 05-08-75	125	71.7	70.7	69.9	70.7	69.7	72.9	75.4	76.4	77.7	80.4	82.4	85.6	89.3	89.8				122.3
RUN DBTF-MODEL 3	160	76.4	72.9	73.4	73.4	73.6	75.9	78.3	78.4	81.1	82.4	83.4	86.4	90.1	91.6				123.8
TAPE X30060	200	76.3	75.5	73.5	74.0	74.8	76.3	77.8	79.3	81.5	83.5	85.8	88.6	92.0	94.5				125.8
BAR 29.4 HG (99279. N/M2)	250	79.0	79.0	78.0	78.0	78.3	78.5	79.5	81.0	87.3	87.5	89.0	90.0	94.4	95.9				128.2
TAMB 72. DEG F (295. DEG K)	315	82.0	80.3	79.3	80.3	82.0	83.7	82.0	86.3	86.8	89.0	90.3	90.9	94.9	99.0				130.0
THET 55. DEG F (286. DEG K)	400	78.6	75.7	78.8	79.1	81.4	81.2	82.3	84.6	86.3	88.3	87.0	93.3	95.9	95.3				129.2
HACT 0. KG/M3 (1. GM/M3)	500	75.8	76.6	78.3	76.8	77.9	78.9	80.9	82.2	84.2	85.7	86.9	93.1	94.8	94.6				128.1
FREQ. SHIFT JET 0	630	77.3	78.0	79.0	77.5	79.2	78.8	81.4	82.1	84.2	85.2	88.0	92.3	93.9	94.8				127.8
DIAMETER RATIO DF/DM 1.00	800	77.7	80.2	79.4	79.8	80.0	79.0	80.9	83.4	84.8	87.5	90.0	91.8	92.2	93.7				127.7
	1000	78.1	77.9	79.0	78.7	79.5	80.7	82.2	83.3	84.9	87.1	88.7	90.7	90.9	89.2				126.6
	1250	76.7	77.4	78.6	78.8	79.7	79.9	82.4	83.4	84.4	86.6	88.8	91.2	89.4	86.2				126.2
	1600	76.3	78.7	78.9	78.5	79.8	80.8	82.0	82.8	83.8	86.0	88.1	89.2	86.9	83.2				125.2
	2000	77.9	77.4	77.8	79.5	80.7	81.1	81.6	82.1	83.5	84.9	86.9	87.8	83.9	81.3				124.3
	2500	76.3	78.6	78.8	78.0	79.4	80.0	81.0	81.7	83.1	84.6	85.0	85.7	81.9	78.5				123.2
	3150	74.8	77.5	78.3	79.0	79.1	79.6	80.3	81.7	82.6	84.7	84.5	84.7	80.4	77.7				122.8
	4000	73.0	76.5	78.0	78.1	79.2	79.4	80.2	81.8	82.4	85.2	84.1	82.4	78.1	76.3				122.5
	5000	73.6	76.8	77.9	78.4	78.9	79.2	80.4	82.1	83.7	86.6	85.8	83.2	78.6	76.9				123.4
	6300	73.9	77.9	79.4	80.5	80.3	80.6	81.3	83.0	84.4	86.3	86.2	83.1	79.2	77.5				124.1
	8000	72.7	78.7	80.2	80.7	80.2	80.8	80.9	82.9	84.5	86.6	86.1	81.7	78.8	77.6				124.3
	10000	71.8	78.0	80.3	80.6	80.3	80.4	80.5	82.3	84.2	86.2	85.9	80.8	78.7	78.1				124.4
	12500	70.2	78.0	79.9	79.8	80.0	79.7	80.0	81.6	82.5	84.6	83.5	79.5	77.4	76.6				123.4
	16000	67.9	76.4	78.4	78.0	78.9	78.7	78.8	80.0	81.3	82.7	81.6	77.4	76.2	74.5				122.3
	20000	64.9	74.3	75.4	75.8	75.8	75.2	77.1	78.4	80.0	81.0	79.1	75.1	73.9	72.7				120.6
	25000	62.4	72.9	73.9	74.8	73.0	73.0	74.4	75.9	77.4	78.7	75.7	72.1	72.2	70.7				118.8
	31500	59.0	69.6	70.4	70.6	69.1	69.7	71.5	73.2	73.6	75.3	73.0	69.6	69.9	67.5				116.1
	40000	56.9	66.9	67.4	67.4	65.7	65.0	67.0	69.1	70.2	71.5	68.2	66.1	66.8	65.6				113.1
	50000	54.9	63.2	63.9	63.5	62.4	61.2	62.9	66.6	67.4	70.0	65.8	65.5	65.8	63.9				111.6
	63000	55.8	60.3	60.2	60.1	59.9	57.7	59.7	66.0	63.9	69.9	65.2	66.6	66.6	64.1				112.4
	80000	56.7	58.1	56.9	56.1	59.1	57.5	58.5	66.5	63.6	72.1	64.9	68.4	67.9	65.1				116.4
OVERALL MEASURED		90.0	91.3	92.1	92.3	93.0	93.4	94.4	96.0	97.6	99.5	100.4	102.3	103.9	105.0				139.6
OVERALL CALCULATED		101.0	102.9	103.7	104.0	104.6	105.1	106.0	107.5	108.8	111.1	111.4	112.0	111.9	112.2				

172

304

SPL INPUT AT STD REV, ALPHA 12/73	FREQ.	ANGLES FROM INLET IN DEGREES (AND RADIANS)																		PWL
		30.	40.	50.	60.	70.	80.	90.	100.	110.	120.	130.	140.	150.	160.	0.	0.	0.		
NO EGA	50	64.6	64.3	66.1	65.7	66.5	67.1	67.9	68.5	70.1	70.3	72.3	75.0	78.6	78.9				112.5	
RDG. NO. 0.	63	66.8	68.1	68.6	68.5	68.8	72.4	70.5	71.4	72.4	73.3	75.3	79.1	82.7	83.3				116.2	
RADIAL 40. FT. (12. M)	80	69.4	70.9	71.0	70.1	70.3	70.7	72.6	73.3	74.8	75.9	79.0	82.4	85.8	87.1				119.2	
VEHICLE JENOTS	100	72.4	73.1	73.6	72.9	72.1	73.6	76.7	78.3	79.2	80.6	82.6	86.8	91.0	92.2				123.9	
CONFIG JE-060	125	75.4	74.2	74.4	74.4	74.2	76.7	79.9	80.2	81.4	83.7	85.7	89.3	93.0	94.0				126.1	
LQC EVENDALE	160	80.1	76.6	77.9	77.4	77.6	79.4	82.3	81.9	85.1	86.6	87.6	90.9	94.3	95.6				128.0	
DATE 05-08-75	200	79.5	78.8	77.3	78.3	78.3	80.0	81.5	82.5	84.5	87.0	89.6	92.6	95.7	97.8				129.4	
RUN DBTF-MODEL 3	250	82.0	81.5	80.8	80.8	80.8	81.8	82.8	84.0	90.3	89.3	91.8	93.5	97.9	98.9				131.3	
TAPE X30080	315	83.5	81.8	81.3	82.3	83.8	84.7	83.3	87.8	88.0	89.8	92.0	92.6	98.2	101.3				132.1	
BAR 29.4 HG (99313, N/M2)	400	80.1	77.7	80.8	80.1	82.4	84.0	85.8	87.8	88.0	89.3	89.5	95.0	98.4	97.1				131.1	
TAMB 71. DEG F (295, DEG K)	500	78.8	79.8	81.6	80.5	81.2	82.9	84.4	85.4	88.2	88.9	91.2	96.4	98.3	96.3				131.3	
THWT 54. DEG F (285, DEG K)	630	79.8	81.2	82.2	80.7	82.2	82.0	84.6	86.1	88.2	88.7	91.4	95.3	96.6	96.3				130.7	
HACT 0. GH/M3 (, KG/M3)	800	80.5	81.9	82.1	82.0	83.0	83.0	84.9	87.6	88.5	91.5	93.5	94.5	94.5	95.2				130.7	
FREQ. SHIFT	1000	81.3	80.1	82.0	82.4	83.8	84.2	85.4	86.8	88.6	90.8	92.2	93.2	92.6	89.7				129.5	
JET 0	1250	80.2	81.2	82.6	82.8	83.2	83.7	85.7	86.9	87.9	90.1	92.3	94.0	90.4	87.2				129.2	
DIAMETER RATIO	1600	79.6	82.2	82.4	82.8	84.3	84.8	86.3	87.5	88.1	90.0	91.4	91.7	88.6	85.5				128.6	
DF/DM 1.00	2000	81.6	81.9	82.6	84.4	85.0	86.1	86.6	87.1	88.5	89.4	91.2	91.3	87.6	85.1				128.6	
	2500	81.1	82.6	83.5	83.5	84.6	85.2	86.2	87.7	89.1	90.4	90.0	89.7	85.9	83.5				128.4	
	3150	79.9	83.2	84.1	85.0	85.7	85.9	86.8	87.9	88.9	91.4	90.2	88.9	86.1	83.9				128.8	
	4000	78.5	82.8	84.1	85.2	85.7	86.4	87.2	88.5	90.6	92.7	89.4	87.6	85.1	82.9				129.3	
	5000	79.4	82.9	84.5	85.7	86.7	87.2	88.4	90.4	92.9	95.6	90.6	68.0	85.1	84.5				131.2	
	6300	79.7	84.5	85.9	87.5	88.8	89.6	90.6	92.8	95.2	97.9	91.8	89.1	86.0	84.5				133.4	
	8000	80.3	85.3	87.3	88.3	89.5	90.6	91.3	94.5	96.5	99.2	93.7	89.5	86.7	85.7				134.9	
	10000	80.1	85.6	87.6	88.9	90.1	90.8	91.9	94.9	97.8	99.8	95.0	90.1	87.3	85.7				136.0	
	12500	79.8	87.4	89.7	89.4	90.1	91.1	91.4	94.7	96.4	98.7	94.6	89.6	87.5	85.9				135.7	
	16000	78.5	86.3	87.0	87.3	89.3	89.0	90.4	92.4	94.4	95.8	92.7	88.0	86.5	85.4				134.0	
	20000	75.6	83.9	85.6	86.6	86.6	86.6	88.4	90.2	92.3	93.1	89.5	85.5	85.1	83.8				132.1	
	25000	73.1	82.0	83.8	84.4	84.1	84.6	86.5	87.8	89.3	89.8	85.8	82.4	82.0	81.5				129.9	
	31500	68.9	77.7	80.0	80.9	81.0	82.0	83.8	85.0	85.9	86.9	82.5	79.7	79.0	77.6				127.4	
	40000	65.9	74.8	76.6	76.1	77.7	78.2	80.2	81.3	82.4	82.0	78.4	75.4	75.6	74.6				124.3	
	50000	62.4	70.4	73.1	74.2	74.1	74.6	76.7	77.8	78.4	79.0	74.5	74.7	74.6	73.2				122.0	
	63000	59.5	66.2	68.9	70.1	70.9	70.4	72.4	74.2	74.9	75.8	70.9	75.6	75.5	73.3				120.9	
	80000	57.7	60.0	65.6	66.1	68.3	67.7	69.5	70.9	70.1	74.1	67.2	77.2	77.7	74.9				122.6	
OVERALL MEASURED		93.9	96.7	98.1	98.7	99.7	100.3	101.4	103.6	105.7	107.7	105.4	105.8	107.2	107.6				145.6	
OVERALL CALCULATED		105.5	107.8	108.8	109.7	110.8	111.5	112.6	114.5	116.6	118.9	116.2	116.0	115.5	115.5					

173

ORIGINAL PAGE IS
OF POOR QUALITY

305

SPL INPUT AT STD REV, ALPHA 12/73	FREQ.	ANGLES FROM INLET IN DEGREES (AND RADIANs)																		PWL
		30.	40.	50.	60.	70.	80.	90.	100.	110.	120.	130.	140.	150.	160.	0.	0.	0.		
NO EGA	50	68,1	68,1	68,6	68,7	69,5	69,6	71,1	71,5	72,1	73,6	76,3	79,0	83,1	83,4				116,4	
RDG, NO: 0	63	71,1	72,1	72,1	71,7	71,8	73,4	74,5	75,2	76,4	77,8	79,8	82,9	87,0	87,6				120,2	
RADIAL 40, FT. (12, M)	80	73,1	74,4	74,8	74,1	74,0	74,4	76,6	77,3	78,3	80,1	83,5	86,6	89,8	91,4				123,3	
VEHICLE JENOTS	100	76,6	76,9	77,6	76,4	76,6	78,1	80,9	82,1	83,2	84,6	87,4	91,3	95,5	96,4				128,3	
CONFIG JE-060	125	80,2	78,9	77,9	78,4	78,2	80,9	83,9	84,4	85,7	88,2	90,4	93,6	97,0	98,3				130,3	
LOC EVENDALE	160	84,1	81,4	81,1	81,6	81,6	83,9	86,6	86,6	89,6	90,6	92,1	95,1	98,6	99,6				132,2	
DATE 05-08-75	200	83,8	83,0	81,8	82,0	82,8	84,5	86,0	86,8	89,3	91,5	93,6	96,6	100,2	102,3				133,7	
RUN DBTF=MODEL 3	250	85,3	85,0	84,0	84,5	85,0	85,3	86,3	87,3	93,3	93,0	95,3	97,5	102,2	102,1				135,0	
TAPE X30100	315	86,5	84,8	84,0	85,5	87,0	87,4	86,5	90,9	90,5	93,3	95,8	97,6	102,7	105,3				136,1	
BAR 29.4 HG	400	83,4	81,7	85,5	84,6	86,4	86,2	87,8	89,8	92,0	94,8	94,8	100,0	103,2	101,3				135,8	
(99212, N/M2)	500	83,1	84,3	86,1	85,0	86,4	86,9	89,9	90,9	92,4	93,9	95,9	101,1	102,6	99,8				135,8	
TAMB 71, DEG F	630	84,1	85,2	86,4	85,2	86,7	86,8	89,8	91,1	93,4	94,4	97,2	100,3	101,1	99,1				135,4	
(295, DEG K)	800	84,5	87,2	86,6	87,0	88,0	88,0	90,2	92,6	94,0	97,0	98,7	99,3	98,7	98,5				135,5	
THET 55, DEG F	1000	86,1	85,4	87,5	87,2	88,3	89,2	90,9	91,8	94,4	96,8	98,2	98,4	96,6	93,9				134,8	
(286, DEG K)	1250	85,7	86,2	87,4	87,3	88,5	88,4	91,2	92,7	93,9	96,6	99,1	99,0	95,2	91,7				135,0	
HACT 0, GM/M3	1600	84,6	87,5	87,4	87,5	88,6	89,7	91,8	93,2	94,3	96,5	98,1	97,2	94,9	90,5				134,6	
(KG/M3)	2000	86,9	87,1	86,8	89,4	90,5	90,1	91,5	93,3	95,2	96,6	97,7	97,0	94,4	91,5				134,7	
FREQ. SHIFT	2500	85,6	87,6	87,8	88,0	89,6	90,4	91,5	93,4	95,6	97,6	96,5	96,2	93,7	90,8				134,6	
JET 0	3150	84,8	88,4	88,5	89,2	90,6	91,1	92,3	94,2	96,3	98,1	96,9	96,4	94,1	91,2				135,3	
DIAMETER RATIO	4000	84,2	87,7	88,5	89,8	90,9	92,1	93,1	95,5	97,6	98,9	96,3	95,8	93,3	91,0				135,8	
DF/DM 1.00	5000	84,0	88,1	89,7	90,4	91,8	92,4	94,1	96,6	99,9	100,8	96,3	95,7	93,6	91,1				137,1	
	6300	84,6	89,1	91,1	92,7	93,7	94,8	95,5	98,5	101,4	101,3	96,7	95,3	92,9	90,9				138,4	
	8000	85,4	90,4	91,9	93,4	95,4	96,2	97,6	101,1	103,1	102,0	97,3	94,9	93,5	92,0				140,1	
	10000	86,2	92,4	93,9	95,5	96,7	97,1	99,2	102,3	104,8	103,1	98,4	95,7	93,9	92,3				141,7	
	12500	86,6	93,1	94,7	96,5	97,6	97,8	99,6	102,5	104,7	103,8	98,9	96,1	94,6	92,5				142,4	
	16000	85,0	91,3	94,1	95,6	96,8	97,1	98,7	100,9	102,7	102,3	98,3	95,3	93,3	90,6				141,5	
	20000	81,8	88,4	90,3	93,4	93,9	93,8	96,2	97,5	99,8	98,8	95,5	92,5	89,8	87,4				133,9	
	25000	79,8	87,5	89,0	91,1	91,9	91,9	93,5	95,0	97,3	95,8	91,6	89,4	87,1	84,0				136,8	
	31500	76,4	83,0	85,8	87,7	88,5	90,3	91,1	92,3	93,5	93,9	89,1	85,4	83,2	80,4				134,5	
	40000	73,3	80,3	82,3	84,8	85,4	86,2	87,4	88,5	90,4	89,4	84,6	81,8	80,5	77,7				131,6	
	50000	70,2	76,1	77,9	80,9	80,6	82,1	84,4	86,1	87,1	87,0	81,8	79,7	78,6	75,2				129,5	
	63000	67,8	72,0	74,2	76,9	76,7	78,9	80,7	83,0	84,2	84,8	78,9	77,8	77,5	74,6				128,5	
	80000	66,4	67,0	69,1	71,1	72,1	77,2	79,3	80,5	80,6	84,1	76,2	78,4	77,7	74,9				129,5	
OVERALL MEASURED																				
OVERALL CALCULATED		98,6	101,9	103,2	104,6	105,7	106,2	107,9	110,8	112,6	112,5	110,6	111,1	112,0	111,7				151,4	
PNDDB		110,2	112,8	113,6	114,6	115,8	116,6	117,8	120,2	122,7	123,6	122,1	122,2	121,4	120,2					

174

SPL INPUT AT STD REV, ALPHA 12/73	FREQ.	ANGLES FROM INLET IN DEGREES (AND RADIANS)																PWL
		30.	40.	50.	60.	70.	80.	90.	100.	110.	120.	130.	140.	150.	160.	170.	180.	
NO EGA.	50	61.6	62.1	63.1	62.7	63.2	64.3	65.1	65.8	66.9	67.8	70.3	72.8	76.8	76.4			110.2
RDG, NO. .0.	63	65.3	66.1	66.1	66.0	66.3	70.6	68.0	68.7	69.1	71.6	74.1	76.6	80.7	80.8			114.0
RADIAL 40 FT.	80	66.4	67.9	68.5	68.4	67.8	68.7	70.1	70.8	72.1	74.1	77.2	80.4	83.3	84.6			116.9
(12. M)	100	69.9	70.6	70.9	69.9	69.6	71.1	74.2	75.8	77.0	78.1	80.9	84.5	89.0	90.2			121.8
VEHICLE JENOTS	125	73.2	72.2	71.7	71.7	71.9	74.9	77.4	78.2	79.2	81.7	83.7	87.3	90.8	91.5			123.9
CONFIG JE-060	160	78.4	74.6	74.6	75.4	75.4	77.4	79.8	79.6	82.6	83.9	85.6	88.6	92.1	93.3			125.7
LOC EVENDALE	200	78.3	77.5	75.5	76.0	76.3	78.0	79.8	80.8	83.0	85.8	88.3	92.1	95.0	96.8			129.4
DATE 05-08-75	250	81.0	80.5	79.5	79.8	79.8	80.3	81.5	84.0	89.8	89.8	92.8	94.0	97.9	98.6			131.3
RUN DBTF-MODEL_3	315	83.0	81.3	80.3	81.5	83.3	84.2	83.5	87.5	88.5	91.0	92.5	94.4	98.7	101.5			132.6
TAPE X30110	400	80.6	77.2	82.3	82.1	83.9	82.9	84.8	87.6	89.3	91.3	90.8	96.0	99.4	98.3			132.3
BAR 29.4 HG	500	78.6	79.1	80.3	78.8	79.4	80.9	82.7	84.4	86.7	87.9	90.2	97.1	99.3	96.8			131.6
(99313, N/M2)	630	79.1	80.2	80.5	79.0	81.2	80.5	82.9	84.6	86.9	88.7	92.0	96.3	97.9	97.6			131.3
TAMB 72 DEG F	800	79.0	81.7	80.4	81.0	81.8	80.8	82.9	85.6	87.3	90.5	93.2	95.8	95.7	96.7			130.9
(295, DEG K)	1000	79.8	78.9	80.5	80.2	81.3	82.2	84.4	85.3	87.1	90.3	92.0	93.7	92.6	91.7			129.1
TWET 55 DEG F	1250	78.2	79.2	79.9	80.5	81.2	81.7	83.9	85.7	86.7	89.6	92.8	94.2	91.2	88.2			129.0
(286, DEG K)	1600	77.8	79.7	80.2	80.5	81.8	82.0	84.3	85.5	86.3	88.5	91.6	91.7	88.6	84.5			127.7
HACT 0 GH/M3	2000	79.6	78.9	79.3	81.4	82.2	82.6	83.3	84.9	86.0	87.6	90.2	90.5	86.9	83.3			126.8
(1 KG/M3)	2500	77.6	79.1	80.3	79.2	80.9	82.0	82.0	83.9	85.6	87.1	87.8	88.0	83.2	80.0			125.3
FREQ, SHIFT	3150	76.3	78.9	79.6	80.3	80.9	80.6	82.3	83.7	84.3	87.2	87.2	86.4	81.6	79.2			124.7
JET 0	4000	74.5	78.3	79.3	80.1	80.2	80.6	81.9	83.8	84.6	87.5	85.9	83.9	79.6	77.1			124.3
DIAMETER RATIO	5000	74.8	78.1	79.9	80.2	80.6	81.2	82.6	84.1	84.4	89.3	86.8	84.0	79.3	77.7			125.4
DF/DM 1.00	6300	74.9	79.2	81.1	81.7	82.0	82.1	83.0	84.8	86.7	89.3	88.0	84.6	79.7	77.7			126.1
	8000	74.4	80.2	81.7	82.0	82.2	82.5	83.2	84.9	86.7	89.1	88.1	83.7	79.8	78.6			126.4
	10000	73.8	79.8	81.0	82.3	82.3	82.2	82.5	84.8	86.2	89.0	87.4	82.5	79.7	78.3			126.4
	12500	71.9	79.3	81.6	81.6	81.7	81.4	82.3	83.9	85.3	87.1	85.8	81.0	79.2	77.6			125.6
	16000	69.6	77.9	79.7	79.5	80.2	79.7	80.8	82.0	83.6	85.5	82.9	78.9	76.9	75.3			124.1
	20000	67.2	75.5	76.4	77.5	77.0	77.2	79.3	80.6	82.0	83.5	80.4	76.4	74.7	73.2			122.5
	25000	64.9	74.1	75.1	76.0	75.0	75.0	76.9	78.4	79.9	80.7	77.4	73.8	73.2	72.2			120.8
	31500	62.0	70.8	72.6	73.1	71.1	71.9	74.0	75.7	76.6	78.1	75.0	71.3	71.1	69.3			118.5
	40000	59.7	68.4	69.4	69.9	69.0	68.3	70.5	72.1	73.5	74.3	70.7	68.1	68.3	67.1			115.8
	50000	57.9	65.2	66.7	67.0	64.9	65.4	68.2	68.9	69.9	72.3	67.8	67.0	66.8	65.2			114.2
	63000	57.3	62.0	62.9	63.4	61.9	64.4	66.7	67.0	66.4	71.6	65.9	67.1	67.3	64.9			114.4
	80000	57.2	59.3	58.4	58.6	59.9	65.7	67.5	67.2	64.4	72.6	65.2	68.7	67.9	65.9			117.7
OVERALL MEASURED																		
OVERALL CALCULATED		91.6	92.8	93.7	94.0	94.7	95.0	96.3	98.2	100.0	102.2	103.4	105.6	107.3	107.5			142.2
PND8		102.5	104.3	105.1	105.5	106.2	106.6	107.9	109.8	111.2	113.7	114.0	114.7	114.7	114.4			

175

ORIGINAL PAGE IS
OF POOR QUALITY

SPL INPUT AT STD		ANGLES FROM INLET IN DEGREES (AND RADIANS)																	PWL
REV, ALPHA 12/73	FREQ.	30.	40.	50.	60.	70.	80.	90.	100.	110.	120.	130.	140.	150.	160.	0.	0.	0.	
		(0.52)	(0.70)	(0.87)	(1.05)	(1.22)	(1.40)	(1.57)	(1.75)	(1.92)	(2.09)	(2.27)	(2.44)	(2.62)	(2.79)	(0.0)	(0.0)	(0.0)	
NO EGA,	50	63.8	66.1	66.9	66.7	67.5	67.9	68.4	69.8	70.4	71.8	74.3	76.8	81.1	80.9				114.3
RDG, NO. 0.	63	68.1	69.6	70.1	70.0	70.5	72.1	71.8	71.7	74.1	75.6	78.3	80.9	84.7	85.3				118.1
RADIAL 40. FT.	80	70.9	72.1	72.8	71.9	72.3	72.2	73.6	74.6	75.8	77.9	81.2	84.1	87.8	89.1				121.1
(12. M)	100	74.6	74.9	75.6	74.4	74.6	75.2	76.4	79.8	81.2	82.9	85.4	89.5	93.5	94.9				126.4
VEHICLE JENOTS	125	77.4	76.2	75.9	76.7	76.4	79.2	81.6	82.2	83.4	86.2	88.4	92.1	95.3	96.0				128.4
CONFIG JE-060	160	82.4	78.9	79.1	79.1	79.6	81.6	84.3	84.1	87.4	88.1	90.1	93.1	96.8	97.6				130.2
LOC EVENDALE	200	82.0	81.0	80.0	79.8	80.3	82.3	83.5	85.0	86.8	89.3	91.8	95.4	98.7	100.8				132.1
DATE 05-08-75	250	84.5	83.8	83.0	83.0	83.0	83.3	85.0	86.0	92.0	91.8	94.8	97.0	101.2	101.4				134.1
RUN DBTF-MODEL 3	315	86.0	83.8	83.0	84.0	85.3	85.9	85.8	89.8	90.0	92.5	95.3	96.9	102.2	104.3				135.3
TAPE X30130	400	82.4	79.4	83.8	82.9	84.9	85.4	86.8	89.1	91.0	94.1	93.3	98.5	102.7	101.3				135.0
BAR 29.4 HG	500	81.6	82.1	83.8	82.0	83.9	85.1	87.7	88.2	90.2	91.4	94.2	99.6	102.1	99.3				134.5
(99313, N/M2)	630	81.6	82.9	83.9	82.7	83.9	83.8	86.6	88.9	90.7	91.9	94.9	98.6	100.9	99.3				134.0
TAMB 71. DEG F	800	82.5	83.9	84.1	84.5	85.3	85.5	87.4	90.6	90.5	94.5	96.5	98.0	97.7	97.7				133.6
(295, DEG K)	1000	82.8	82.1	84.5	83.7	85.3	86.4	87.7	89.3	90.6	93.8	95.2	95.9	94.6	91.9				132.0
TWET 54. DEG F	1250	81.7	83.2	83.9	84.0	85.2	85.9	88.2	89.4	90.2	93.1	95.3	96.7	92.4	89.9				131.8
(285, DEG K)	1600	81.6	84.0	84.4	84.3	85.6	86.8	88.3	89.5	90.3	93.0	94.4	94.0	90.4	87.2				131.0
HACT 0. GH/M3	2000	83.1	82.9	84.1	85.9	86.7	87.6	87.8	89.4	90.5	92.1	93.7	93.0	89.6	86.6				130.7
(, KG/M3)	2500	82.3	84.1	85.3	84.7	86.4	87.0	88.2	89.4	91.1	91.9	92.0	91.7	88.2	85.5				130.2
FREQ, SHIFT	3150	81.4	84.7	85.3	86.3	87.2	87.4	88.6	89.4	90.6	92.7	92.0	91.2	88.6	85.9				130.4
JET 0	4000	80.3	84.0	85.3	86.4	87.0	87.9	89.2	90.5	92.6	94.2	90.9	89.9	87.9	85.1				131.1
DIAMETER RATIO	5000	81.4	84.4	85.7	87.0	87.9	88.9	90.1	92.1	95.2	97.1	91.3	90.2	87.4	85.7				132.8
DF/DM 1.00	6300	80.7	85.5	87.2	88.5	90.1	91.4	92.3	94.3	97.2	99.4	93.0	90.4	88.0	85.8				135.0
	8000	81.8	86.1	88.6	90.0	91.3	92.4	93.3	96.0	99.3	101.2	94.2	90.8	88.2	86.7				136.8
	10000	82.4	88.1	90.3	91.9	92.4	92.8	94.1	97.4	100.0	101.8	95.0	91.6	89.3	87.4				138.0
	12500	81.6	87.9	90.2	91.2	91.6	92.6	93.9	96.7	98.6	101.5	95.9	91.6	89.8	88.2				137.8
	16000	80.2	87.0	89.8	90.1	91.0	91.5	92.4	95.1	96.9	98.6	94.5	90.3	89.3	87.1				136.4
	20000	78.1	85.6	88.1	88.6	88.6	88.8	90.7	92.7	94.6	95.1	91.5	88.0	86.6	85.6				134.3
	25000	75.3	83.5	85.5	86.9	86.1	86.6	88.5	90.3	91.8	92.8	87.8	84.9	83.3	82.0				132.2
	31500	71.4	79.7	81.5	83.4	82.7	85.0	86.3	87.5	87.9	89.4	84.8	81.2	80.5	77.9				129.7
	40000	68.6	76.1	78.1	80.1	79.9	81.0	82.7	83.6	84.4	85.5	80.4	77.1	76.8	75.3				126.7
	50000	64.9	72.6	74.6	76.4	76.1	77.1	79.2	80.6	81.4	82.7	77.2	76.2	75.8	72.9				124.7
	63000	61.0	68.5	70.6	72.1	71.9	72.6	75.1	76.7	78.2	81.8	75.4	76.6	76.3	73.8				124.1
	80000	58.2	65.8	66.3	67.3	69.6	68.9	71.2	72.7	75.4	82.1	74.9	77.9	77.4	74.9				126.1
OVERALL MEASURED		93.8	98.2	99.9	100.6	101.4	102.2	103.5	105.8	107.9	109.9	107.6	108.7	110.6	110.5				148.0
OVERALL CALCULATED		93.8	98.2	99.9	100.6	101.4	102.2	103.5	105.8	107.9	109.9	107.6	108.7	110.6	110.5				148.0
PNOB		107.1	109.4	110.4	111.1	112.3	113.4	114.6	116.8	118.7	120.8	118.3	118.5	118.7	118.0				

176

SPL INPUT AT STD REV, ALPHA 12/73	FREQ.	30.	40.	50.	60.	70.	80.	90.	100.	110.	120.	130.	140.	150.	160.	(0.)	(0.)	(0.)	PWL
NO EGA.	50	70.1	70.3	70.9	70.7	71.7	71.6	72.4	73.0	73.9	75.8	78.8	81.3	85.3	86.9				118.9
RDG. NO. 0.	63	73.3	73.6	74.1	73.7	74.3	74.9	76.0	76.7	77.1	79.3	82.1	85.1	89.0	90.1				122.3
RADIAL 40. FT.	80	75.4	76.6	77.3	76.1	75.8	76.4	78.3	78.8	80.1	82.4	85.7	89.4	92.3	93.9				125.8
(12. M)	100	79.4	79.4	79.6	78.6	78.4	80.4	82.9	84.1	85.5	86.9	89.4	93.3	97.8	98.7				130.4
VEHICLE JENOTS	125	82.2	80.9	80.7	81.2	80.7	83.2	86.1	86.4	87.7	90.4	92.4	96.3	99.5	100.8				132.8
CONFIG JE-060	160	86.6	83.9	83.9	83.9	84.1	85.6	88.6	88.4	91.6	92.9	94.4	97.6	100.8	101.8				134.4
LOC EVENDALE	200	86.5	85.3	83.5	84.0	85.3	86.8	88.0	89.0	91.0	93.8	97.1	100.6	103.5	104.5				136.7
DATE 05-08-75	250	88.5	88.0	87.0	86.8	86.8	87.8	87.8	90.0	95.5	95.3	99.0	102.3	105.9	105.1				138.5
RUN DBTF-MODEL 3	315	89.3	87.0	87.0	87.8	89.0	89.2	89.0	92.8	93.3	96.0	99.8	102.6	107.4	108.5				140.0
TAPE X30130	400	86.4	84.7	87.5	87.1	88.4	88.7	90.0	92.6	94.5	97.6	97.0	103.5	107.4	105.1				139.3
BAR 29.4 HG	500	86.6	87.3	88.8	87.0	88.7	89.6	91.7	93.2	95.2	96.9	99.2	104.1	105.8	103.3				138.9
(99246, N/M2)	630	87.1	88.2	88.7	87.2	89.0	88.5	91.6	93.9	95.9	97.5	100.5	103.6	105.4	103.6				138.9
TAMB 72. DEG F	800	86.5	88.9	88.9	89.3	90.5	90.3	92.2	95.1	96.5	99.8	101.7	102.8	102.7	101.7				138.6
(295, DEG K)	1000	88.3	86.9	89.3	89.2	89.8	90.4	92.7	94.6	99.8	99.8	101.5	100.7	100.1	96.7				137.5
TWET 55. DEG F	1250	87.2	87.7	88.9	89.5	90.2	91.2	92.9	94.7	96.2	99.6	101.6	101.7	97.2	94.4				137.4
(286, DEG K)	1600	86.3	88.5	88.4	89.3	90.3	92.0	93.5	95.5	96.6	99.0	100.4	99.5	96.4	93.2				136.7
HACT 0. GM/M3	2000	88.1	88.1	88.3	90.7	91.7	92.1	93.8	95.4	96.8	98.9	99.7	99.5	96.4	93.3				136.7
(KG/M3)	2500	87.1	88.8	89.3	89.0	90.9	92.0	93.7	95.4	97.6	98.6	99.0	98.7	95.9	93.0				136.5
FREQ. SHIFT	3150	86.8	88.9	89.1	90.5	91.9	92.6	93.8	95.4	98.1	99.4	98.2	98.4	96.1	93.7				136.8
JET	4000	85.5	88.0	89.3	90.6	92.2	92.9	94.4	96.5	99.6	99.0	98.4	97.4	95.4	93.3				137.1
DIAMETER RATIO	5000	85.6	88.6	90.4	91.2	92.6	93.4	95.9	98.4	101.9	100.1	98.3	97.5	95.8	93.7				138.3
DF/DM 1.00	6300	85.9	89.9	91.4	92.5	94.8	95.3	97.3	99.8	102.7	100.8	98.2	97.6	96.0	93.5				139.4
	8000	86.4	91.5	92.2	94.2	95.7	97.3	98.7	101.9	103.7	101.6	97.6	96.2	95.3	93.3				140.6
	10000	87.8	92.8	94.0	95.3	97.5	98.4	99.8	103.8	105.7	102.5	98.4	96.3	95.0	93.1				142.4
	12500	87.4	94.3	95.1	96.6	98.5	99.2	101.3	103.9	105.8	103.6	99.5	96.7	95.4	93.1				143.3
	16000	85.4	91.9	93.4	95.5	96.7	98.2	99.8	102.3	104.3	102.5	99.1	95.7	93.7	91.0				142.4
	20000	82.9	89.3	90.9	92.5	94.3	94.7	96.8	99.4	100.7	98.7	96.1	92.9	90.7	88.0				139.6
	25000	80.7	87.4	89.4	91.5	92.0	93.5	94.9	96.7	98.4	96.2	91.9	89.3	87.2	84.7				137.7
	31500	77.5	84.1	85.9	88.1	89.1	90.9	92.5	93.9	94.8	93.3	89.0	86.1	84.4	80.8				135.3
	40000	74.1	80.9	83.1	84.6	85.5	86.8	88.5	90.4	91.7	89.5	85.5	82.4	81.3	77.8				132.5
	50000	71.0	76.9	78.9	81.2	81.6	83.4	85.4	87.1	88.6	87.0	82.0	80.2	78.8	75.7				130.4
	63000	68.8	72.8	74.4	77.1	77.7	79.9	82.2	84.2	85.9	85.1	79.2	78.6	78.1	74.9				129.3
	80000	66.9	67.3	69.3	71.6	72.9	78.0	80.0	81.5	82.6	83.6	76.4	79.2	78.2	75.1				130.2
OVERALL MEASURED																			153.0
OVERALL CALCULATED		100.6	103.0	104.0	105.1	106.6	107.6	109.3	111.9	113.9	113.2	112.7	113.9	115.5	114.7				
PND8		112.2	113.9	114.6	115.4	117.0	117.8	119.5	121.9	124.4	124.3	124.0	124.7	124.2	123.1				

177

ORIGINAL PAGE IS
OF POOR QUALITY

SPL INPUT AT STD REV, ALPHA 12/73	FREQ.	ANGLES FROM INLET IN DEGREES (AND RADIANS)															PWL		
		30	40	50	60	70	80	90	100	110	120	130	140	150	160	0		0	0
NO EGA	50	63,6	64,3	65,1	64,7	65,2	65,8	65,6	66,5	68,1	69,1	71,8	74,5	78,1	78,4				111,7
RDG, NO. 0	63	66,8	67,3	67,6	67,5	68,0	71,9	69,5	69,4	70,6	72,8	74,8	78,6	82,7	83,1				115,8
RADIAL 40 FT.	80	68,6	69,6	70,0	69,6	69,5	69,9	71,3	72,3	73,8	75,6	79,0	82,4	85,5	86,6				118,8
(12 M)	100	72,1	72,1	72,9	71,6	71,9	73,4	75,9	77,3	78,5	80,4	82,4	86,8	90,8	91,7				123,5
VEHICLE JENOTS	125	74,9	74,2	73,7	73,9	74,9	77,4	79,1	79,4	80,9	83,4	85,4	89,1	92,5	93,3				125,6
CONFIG JE-060	160	80,4	76,6	77,6	77,1	77,4	78,6	81,6	81,6	84,4	85,6	87,4	90,9	93,8	94,6				127,4
LOC EVENDALE	200	79,5	79,0	77,0	77,5	78,3	79,5	81,3	82,5	84,8	87,8	91,1	94,4	97,0	98,3				130,3
DATE 05-08-75	250	82,5	82,0	80,5	81,0	81,3	81,3	83,0	85,0	91,0	91,0	94,5	96,5	99,9	100,1				133,1
RUN DBTF-MODEL 3	315	84,8	82,8	81,8	82,8	84,8	85,7	85,0	89,5	90,5	93,3	95,5	96,9	101,7	103,5				135,0
TAPE X30160	400	82,4	79,2	83,3	83,1	85,1	84,2	87,0	89,1	91,0	93,6	93,5	98,5	101,7	100,6				134,5
BAR 29.4 HG	500	81,3	81,8	82,8	81,0	81,9	82,9	85,2	86,9	88,7	90,7	92,9	99,6	102,3	98,8				134,2
(99313, N/M2)	630	81,3	82,2	82,5	81,0	82,7	82,3	85,4	87,6	89,7	91,0	94,7	99,3	101,4	100,3				134,3
TAMB 72 DEG F	800	81,2	83,2	82,4	82,8	83,5	82,8	85,2	88,4	89,8	93,0	95,7	98,0	98,7	99,5				133,5
(295, DEG K)	1000	81,6	80,9	82,5	81,9	82,8	84,4	86,2	87,8	89,6	93,1	95,0	95,9	95,1	93,9				131,6
TWET 55, DEG F	1250	80,2	80,9	81,6	81,8	83,0	83,4	85,7	87,2	89,4	92,6	95,6	97,2	93,2	91,2				131,6
(286, DEG K)	1600	79,6	81,2	81,7	82,3	83,3	84,3	86,0	87,3	89,1	91,3	94,4	94,2	90,9	88,0				130,1
HACT 0, GM/M3	2000	80,6	80,9	81,3	82,9	83,5	84,6	85,1	86,9	88,5	90,1	92,7	93,0	89,1	86,8				129,1
(, KG/M3)	2500	79,3	81,3	81,8	80,7	82,4	83,5	84,5	86,2	87,6	89,6	90,0	90,2	85,7	84,0				127,5
FREQ. SHIFT	3150	78,3	81,2	81,6	82,5	82,9	82,6	84,1	85,7	86,8	88,9	89,5	87,9	84,6	82,7				125,8
JET 0	4000	76,5	80,0	80,8	81,4	81,7	82,6	83,7	85,5	87,4	89,0	88,1	85,9	81,9	79,8				126,2
DIAMETER RATIO	5000	76,8	80,1	81,4	81,7	81,9	82,9	84,6	86,1	88,4	91,8	88,5	86,0	81,8	79,9				127,4
DF/DM 1.00	6300	76,9	81,4	83,1	83,0	84,0	84,3	85,5	87,0	88,9	92,3	89,5	85,6	82,7	80,5				128,4
	8000	76,9	82,2	83,5	83,7	84,5	84,8	85,7	87,6	89,7	92,9	90,1	85,9	82,6	80,8				129,1
	10000	76,3	82,0	83,8	84,3	84,8	84,7	85,3	87,1	89,4	92,2	89,4	84,8	82,5	81,1				129,1
	12500	74,9	81,3	83,1	82,8	83,5	83,9	84,5	86,6	88,3	90,6	88,3	83,7	81,4	79,8				128,3
	16000	72,1	80,2	81,2	81,0	82,2	82,4	83,5	84,8	86,8	88,0	85,6	81,4	79,4	77,3				126,7
	20000	69,2	77,0	78,2	78,8	79,3	79,5	81,3	82,9	85,0	85,5	82,1	78,1	77,2	75,0				124,7
	25000	67,2	75,1	76,4	77,0	76,8	76,8	79,2	80,4	82,2	83,0	78,4	75,8	75,7	73,4				122,7
	31500	63,3	71,8	72,9	73,3	72,6	73,9	75,8	77,2	78,4	79,3	76,0	73,9	73,6	71,3				119,9
	40000	60,7	68,9	70,1	70,9	69,2	69,3	71,7	73,4	74,7	75,5	71,7	72,1	71,8	70,1				117,2
	50000	57,9	65,2	66,4	67,2	65,4	65,9	68,2	69,4	70,9	73,0	68,0	73,2	73,6	70,7				115,8
	63000	57,6	61,8	62,7	62,6	64,4	64,4	66,9	67,5	67,4	72,1	65,7	75,6	75,6	72,9				117,4
	80000	57,2	58,8	57,4	58,1	59,6	65,7	67,5	67,7	64,6	72,9	65,4	77,2	77,4	75,1				121,4
OVERALL MEASURED		93,5	94,7	95,4	95,5	96,4	96,9	98,4	100,3	102,3	104,7	105,9	108,1	109,9	109,6				144,6
OVERALL CALCULATED		104,4	106,4	107,0	107,4	108,1	108,4	109,8	111,6	113,5	116,2	116,4	117,0	117,3	116,7				
PND																			

178

SPL INPUT AT STD REV, ALPHA 12/73	FREQ.	ANGLES FROM INLET IN DEGREES (AND RADIANS)															PWL		
		30	40	50	60	70	80	90	100	110	120	130	140	150	160	0		0	0
NO EGA	50	67.6	68.6	68.4	68.9	70.2	69.8	70.4	71.0	72.6	73.3	76.5	79.3	83.3	83.4				116.5
RDG. NO. 0	63	70.6	75.6	71.9	72.0	73.0	73.6	73.5	74.7	75.1	77.1	80.1	82.9	87.0	87.1				120.1
RADIAL 40 FT. (12 M)	80	72.6	74.1	75.0	73.9	74.0	74.2	75.6	76.3	78.1	79.9	83.5	86.6	89.8	91.1				123.2
VEHICLE JENOTS	100	76.6	76.6	77.1	76.1	75.6	77.4	80.7	81.6	83.0	84.1	86.9	91.0	95.5	96.2				128.0
CONFIG JE-060	125	79.2	78.2	77.4	78.2	77.9	80.7	82.9	83.4	85.2	87.4	89.7	93.8	97.0	98.0				130.1
LOC EVENDALE	160	84.1	80.9	81.1	81.6	81.9	83.1	85.8	85.9	88.6	90.1	91.9	94.9	98.3	99.1				131.8
DATE 05-08-75	200	83.5	82.8		81.5	82.0	84.0	85.3	87.0	88.8	91.8	95.1	98.9	101.0	102.3				134.5
RUN DBTF=MODEL 3	250	86.3	85.5	84.8	84.3	85.0	85.3	86.5	88.0	93.3	93.8	97.0	99.8	103.9	103.1				136.4
TAPE X30180	315	87.8	85.5	84.8	86.0	87.3	88.2	87.3	91.3	92.0	95.0	98.5	100.9	106.2	107.3				138.6
BAR 29.4 HG (99313, N/M2)	400	84.4	82.2	85.8	84.9	86.9	86.2	88.3	90.8	93.0	95.8	96.0	102.0	106.2	103.6				137.9
TAMB 71 DEG F (295 DEG K)	500	84.8	85.3	86.3	84.5	85.9	86.6	89.2	90.7	92.7	94.2	96.7	103.1	105.3	102.6				137.6
TWET 54 DEG F (285 DEG K)	630	84.8	85.7	85.9	84.4	85.9	86.3	89.1	91.1	93.4	94.4	98.2	102.3	104.6	102.8				137.4
HACT 0 GM/M3 (1 KG/M3)	800	84.0	86.7	85.9	86.0	87.5	87.5	89.2	91.6	93.0	96.8	99.2	101.0	101.5	100.7				136.4
FREQ SHIFT	1000	85.3	83.6	85.8	85.9	86.5	88.2	89.4	91.3	92.9	96.8	98.2	98.4	98.1	95.4				134.7
JET 0	1250	84.0	84.7	85.9	85.8	86.7	87.9	89.9	91.2	92.7	95.6	98.3	99.2	94.9	91.9				134.3
DIAMETER RATIO DF/DM 1.00	1600	82.8	85.7	85.7	85.5	87.1	88.3	89.8	91.0	92.3	95.3	97.6	96.7	93.1	90.0				133.4
	2000	84.9	84.6	84.8	86.4	87.7	88.6	89.6	91.4	92.5	94.4	96.2	95.8	92.4	89.1				132.8
	2500	83.6	85.6	86.3	85.7	87.4	88.2	89.2	90.7	92.3	94.4	94.5	94.0	90.9	87.8				132.0
	3150	83.1	85.5	86.1	87.3	87.9	88.6	89.8	91.2	92.4	94.9	94.0	92.9	90.4	87.4				132.1
	4000	81.8	84.8	86.1	86.9	87.7	89.2	90.0	91.8	94.1	95.2	93.1	92.1	89.4	86.9				132.4
	5000	82.4	85.6	86.5	88.0	88.4	89.9	91.6	93.9	96.7	97.1	93.6	92.2	89.6	87.0				134.0
	6300	82.7	86.5	87.9	89.3	91.1	92.4	93.6	95.8	98.2	99.4	93.5	91.9	89.8	87.3				135.7
	8000	83.0	87.6	88.8	91.0	92.5	93.6	95.0	97.7	100.5	100.9	94.9	92.0	89.7	87.9				137.6
	10000	83.6	89.1	90.3	92.2	93.6	94.3	95.4	98.4	101.8	103.1	96.3	92.4	90.8	88.7				139.3
	12500	83.6	89.4	90.9	92.4	93.6	94.3	96.1	98.7	101.1	102.5	96.6	93.3	92.3	89.7				139.5
	16000	82.2	88.8	91.3	91.6	93.0	93.3	94.7	96.6	98.7	100.1	95.7	92.0	91.5	88.9				138.1
	20000	79.6	87.4	89.1	89.9	90.1	90.3	92.2	94.0	96.6	97.1	93.3	89.5	88.6	85.6				136.0
	25000	76.8	85.3	86.3	87.4	87.6	88.6	90.0	92.0	93.3	94.6	89.5	86.4	85.3	82.3				133.8
	31500	73.6	81.4	82.7	84.7	84.7	87.3	88.3	89.5	90.2	91.9	86.8	83.4	82.7	79.4				131.8
	40000	71.4	78.8	79.8	82.1	82.4	83.0	84.9	85.8	86.9	87.7	82.9	79.9	79.3	76.3				129.0
	50000	67.7	76.1	76.6	78.7	78.1	79.6	81.9	83.6	84.1	85.7	80.2	78.2	77.6	74.4				127.4
	63000	64.0	72.7	72.9	74.6	74.4	75.4	77.6	80.4	80.9	83.6	77.6	77.8	77.5	74.8				126.4
	80000	59.9	72.3	68.1	69.1	70.1	70.9	73.2	78.7	77.6	83.6	75.9	78.4	75.4					128.0
OVERALL MEASURED		97.7	99.9	100.9	101.8	102.9	103.7	105.2	107.4	109.7	111.2	109.9	111.6	113.8	112.9				150.0
OVERALL CALCULATED		108.9	110.7	111.4	112.2	113.5	114.6	115.9	118.0	120.2	121.8	120.5	120.8	121.6	120.5				

179

ORIGINAL PAGE IS OF POOR QUALITY

MODEL SOUND PRESSURE LEVELS (59, DEG, F, 70 PERCENT REL, HUM, DAY - JENOTS)

SPL INPUT AT STD REV, ALPHA 12/73	ANGLES FROM INLET IN DEGREES (AND RADIANS)																PWL	
	30.	40.	50.	60.	70.	80.	90.	100.	110.	120.	135.	150.	160.	0.	0.	0.		
FREQ.	(0.52)	(0.70)	(0.87)	(1.05)	(1.22)	(1.40)	(1.57)	(1.75)	(1.92)	(2.09)	(2.27)	(2.44)	(2.62)	(2.79)	(0.)	(0.)	(0.)	
NO EGA	50	71.8	71.8	72.6	72.2	73.0	72.6	74.1	74.8	75.9	77.8	80.3	83.3	87.3	90.2			121.1
RDG, NO. 0	63	75.1	76.1	75.6	76.5	77.0	77.1	77.5	77.9	78.9	81.3	83.8	87.1	90.7	92.3			124.3
RADIAL 40, FT.	80	77.6	78.4	79.0	78.6	78.8	78.7	80.1	80.3	82.1	84.1	88.5	91.4	94.3	95.9			127.8
(12, M)	100	81.6	81.4	81.6	80.9	80.9	82.1	84.4	86.1	87.0	88.9	91.4	95.5	100.0	101.2			132.7
VEHICLE JENOTS	125	84.4	83.7	82.9	83.7	82.9	85.4	88.1	88.2	89.7	91.7	94.2	98.6	101.5	102.5			134.7
CONFIG JE-060	160	89.1	86.1	86.6	86.1	85.9	88.1	90.6	90.4	92.6	94.4	96.1	99.4	102.6	103.8			136.3
LOC EVENDALE	200	88.5	87.0	86.0	86.0	87.0	88.3	89.8	91.0	93.0	95.5	99.6	103.4	105.7	107.5			139.2
DATE 05-08-75	250	90.3	89.5	88.8	88.3	88.3	89.5	90.8	91.8	97.3	98.0	102.0	105.3	108.2	106.4			140.8
RUN DBTF-MODEL 3	315	91.5	89.3	89.3	89.5	91.0	91.2	90.5	95.0	95.5	98.8	102.8	105.9	110.7	110.5			142.7
TAPE X30200	400	88.6	86.7	90.5	88.6	90.4	91.2	92.5	95.3	96.8	100.3	101.0	106.5	111.2	108.1			142.6
BAR 29.4 HG	500	89.8	89.8	91.1	89.0	89.9	91.4	94.4	95.9	97.4	98.7	101.7	106.9	109.1	107.3			141.8
(99178, N/H2)	630	90.6	90.0	90.7	89.0	91.0	90.8	93.9	95.9	98.7	100.2	103.7	106.6	109.7	108.1			142.4
TAMB 72, DEG F	800	90.0	90.9	91.1	91.0	92.0	92.8	94.7	97.4	98.8	102.8	104.7	105.8	105.7	105.5			141.5
(295, DEG K)	1000	90.8	89.1	91.0	90.4	91.3	92.4	94.7	97.1	99.1	102.6	103.7	103.4	103.4	99.9			140.1
TWET 56, DEG F	1250	89.7	90.2	91.1	90.5	92.2	93.2	95.4	96.9	98.7	102.4	104.6	104.7	100.2	97.4			140.2
(286, DEG K)	1600	88.6	90.5	90.2	91.0	92.3	93.2	95.3	97.2	98.8	101.8	103.3	102.2	98.9	96.2			139.2
HACT 0, GH/M3	2000	90.1	89.8	89.5	91.9	93.0	93.9	95.3	97.6	99.2	101.1	102.4	102.0	98.6	96.0			139.0
(, KG/M3)	2500	88.8	89.8	90.5	90.2	92.1	93.2	95.0	97.4	99.8	100.6	101.0	100.9	98.2	95.3			138.5
FREQ, SHIFT	3150	88.3	89.7	90.5	91.5	92.9	93.6	95.0	96.9	99.6	100.9	101.2	100.6	98.8	95.9			138.6
JET 0	4000	87.4	88.9	90.5	91.3	93.1	94.1	95.9	98.0	100.8	100.4	100.1	99.8	98.1	95.8			138.7
DIAMETER RATIO	5000	87.8	89.5	90.4	91.9	93.3	94.6	96.3	99.6	103.1	101.5	100.5	100.1	98.3	95.6			139.8
DF/DM 1.00	6300	87.0	90.4	92.0	93.6	94.9	96.3	97.7	100.7	104.3	101.0	99.9	99.2	97.9	94.6			140.5
	8000	87.6	91.1	92.4	94.6	96.6	97.9	99.1	102.5	105.3	102.2	99.2	98.3	96.7	94.0			141.6
	10000	87.6	91.8	93.6	95.1	97.1	98.8	100.6	104.4	106.0	103.0	99.0	97.6	95.8	93.2			142.8
	12500	87.7	93.1	94.1	95.6	97.5	99.0	101.8	104.1	105.6	103.2	99.9	96.5	95.0	91.9			143.2
	16000	85.9	91.5	92.7	94.8	97.2	98.2	100.1	102.6	104.3	102.2	98.6	95.4	93.2	90.0			142.4
	20000	83.2	88.8	90.5	92.3	94.3	95.0	97.9	99.4	101.3	99.0	96.2	92.4	90.0	87.3			139.9
	25000	80.5	86.9	88.4	90.3	95.8	93.0	95.4	96.4	98.2	95.8	91.7	89.1	87.2	83.4			137.9
	31500	76.6	82.1	84.4	86.9	88.2	91.0	92.1	94.0	95.1	93.1	89.0	85.6	83.9	79.8			135.1
	40000	73.5	78.9	80.9	83.5	84.8	85.9	88.1	90.0	91.8	88.6	84.8	81.5	80.2	76.7			132.0
	50000	70.2	74.7	76.4	79.7	80.9	82.4	84.7	86.9	88.7	85.8	81.1	79.3	77.9	74.5			129.8
	63000	67.6	71.0	72.7	76.4	78.4	78.9	80.9	83.5	85.5	83.6	77.7	78.4	77.1	74.1			128.7
	80000	66.5	67.3	67.6	74.1	77.4	77.0	78.8	80.7	81.4	83.9	75.2	78.7	77.7	74.9			129.8
OVERALL MEASURED		102.5	103.6	104.6	105.5	107.3	108.3	110.3	112.8	115.0	114.5	115.1	116.6	118.5	117.3			154.6
OVERALL CALCULATED		114.0	115.0	115.8	116.5	117.9	119.0	120.7	123.2	126.1	129.9	126.6	127.1	127.1	125.4			

180

SPL INPUT AT STD REV, ALPHA 12/73	FREQ.	ANGLES FROM INLET IN DEGREES (AND RADIANS)																		PWL
		30.	40.	50.	60.	70.	80.	90.	100.	110.	120.	130.	140.	150.	160.	(0.0)	(0.0)	(0.0)		
NO EGA	50	65.3	65.3	66.1	66.2	66.2	67.1	67.4	68.3	69.1	71.1	73.0	76.3	79.8	79.7				113.2	
RDG. NO. 0	63	67.8	69.1	70.1	69.7	69.8	73.1	71.0	70.7	71.6	75.1	77.3	80.1	83.7	83.6				117.1	
RADIAL 40. FT.	80	70.1	71.4	72.0	71.4	71.0	71.2	73.3	73.8	75.3	77.6	81.0	84.1	86.8	87.6				120.3	
(12. M)	100	73.6	73.9	74.4	73.1	73.1	74.4	77.2	78.6	80.0	81.4	84.1	87.8	91.8	92.7				124.7	
VEHICLE JENOTS	125	76.4	75.4	74.9	75.2	75.2	78.2	80.1	80.7	82.2	84.9	86.7	90.3	93.5	94.3				126.8	
CONFIG JE-060	160	82.1	78.6	78.4	78.6	78.9	80.1	82.8	82.9	85.9	88.1	89.1	92.4	95.3	95.8				129.0	
LOC EVENDALE	200	82.3	81.0	78.8	79.0	79.8	81.5	82.5	83.8	86.5	89.8	92.8	96.1	99.0	100.0				132.2	
DATE 05-08-75	250	84.0	82.8	81.5	82.0	82.3	82.5	83.8	85.8	91.8	92.0	95.5	98.3	101.4	101.1				134.4	
RUN DBTF-MODEL 3	315	86.0	84.0	83.3	84.0	86.0	87.2	86.5	90.8	92.0	94.8	97.5	98.9	103.9	105.3				136.9	
TAPE X30210	400	82.6	80.7	83.8	84.4	85.9	85.7	88.3	90.1	92.0	95.3	95.5	101.0	103.9	102.3				136.5	
BAR 29.4 HG	500	83.3	83.8	84.1	82.8	83.4	85.1	87.2	88.7	90.7	92.2	94.9	101.4	104.1	101.3				136.1	
(99313, N/M2)	630	83.6	84.0	84.2	83.0	84.7	84.3	87.4	89.6	92.2	93.5	97.2	101.1	104.4	102.8				137.0	
TAMB 72, DEG F	800	83.2	85.2	84.1	84.3	85.5	85.0	86.9	89.9	91.8	95.0	97.7	100.0	100.5	102.0				135.5	
(295, DEG K)	1000	83.8	82.4	84.0	83.4	84.5	86.4	87.9	90.1	92.1	95.1	97.2	98.7	97.9	96.9				134.0	
THET 55, DEG F	1250	82.5	82.4	83.6	83.0	85.0	85.4	87.7	89.4	91.4	94.6	97.8	99.0	95.7	94.2				133.7	
(286, DEG K)	1600	81.1	82.7	83.2	84.0	84.6	85.5	88.0	89.3	90.6	93.8	96.6	96.2	93.9	91.7				132.3	
HACT 0, GH/M3	2000	82.1	81.9	82.1	84.4	85.2	85.9	86.6	88.9	90.3	92.4	95.2	94.5	91.1	90.6				131.1	
(1, KG/M3)	2500	80.1	81.6	82.5	81.7	84.1	84.7	86.2	87.7	89.8	91.4	92.8	92.2	88.7	87.8				129.5	
FREQ. SHIFT	3150	78.8	81.9	81.8	83.3	84.1	84.1	85.3	87.4	88.8	91.2	91.2	89.9	86.9	85.9				128.6	
JET 0.	4000	77.2	80.5	81.8	82.9	83.7	84.4	85.4	87.5	89.4	90.7	89.4	87.1	83.9	81.6				127.9	
DIAMETER RATIO	5000	76.8	80.8	81.9	82.9	83.6	84.7	86.1	88.4	90.7	92.6	89.3	86.7	83.1	81.2				128.8	
DF/DM 1.00	6300	76.9	81.2	83.6	85.0	85.3	86.1	87.3	89.3	91.2	94.6	90.0	87.4	83.5	81.5				130.1	
	8000	76.9	81.7	84.0	85.2	86.0	86.8	87.7	90.1	91.7	95.6	90.6	86.7	83.8	82.3				131.1	
	10000	75.8	81.8	84.5	85.3	85.5	86.4	87.3	89.1	91.7	95.0	90.9	86.3	83.5	82.3				131.0	
	12500	74.4	81.3	84.1	85.1	85.2	85.4	86.5	88.9	90.5	92.9	90.0	85.0	82.9	80.6				130.2	
	16000	71.6	79.4	81.4	83.0	84.2	84.4	85.0	87.8	89.1	90.7	87.6	83.2	81.2	78.8				128.9	
	20000	69.4	77.8	79.7	80.3	81.3	81.2	82.6	85.4	87.7	88.0	84.6	80.4	78.7	77.0				126.9	
	25000	66.9	76.4	78.1	78.8	78.8	78.8	80.9	82.9	84.9	85.7	81.4	77.6	77.2	75.7				125.1	
	31500	64.0	72.8	74.9	75.6	74.9	76.2	78.0	80.4	81.1	82.3	78.2	75.3	75.1	73.5				122.5	
	40000	61.2	70.1	71.9	72.4	72.2	71.8	74.5	76.4	77.7	79.0	74.7	73.1	73.3	72.1				119.9	
	50000	58.4	66.4	68.4	69.2	68.9	68.4	70.9	72.4	73.6	77.8	73.0	74.0	73.8	71.9				118.6	
	63000	57.6	63.0	65.9	66.1	67.2	65.9	68.2	69.5	69.7	79.4	73.2	76.1	75.6	73.6				120.5	
	80000	57.2	59.1	63.8	64.1	67.6	66.0	67.8	68.2	66.1	80.9	74.4	77.2	77.2	74.9				124.5	
OVERALL MEASURED		94.9	95.6	96.5	97.0	97.9	98.6	100.1	102.2	104.2	106.8	107.8	110.1	112.0	111.6				146.6	
OVERALL CALCULATED		105.4	107.2	107.7	108.6	109.5	110.1	111.4	113.4	115.5	118.1	118.4	118.8	119.3	118.8					

181

ORIGINAL PAGE IS
OF POOR QUALITY

SPL INPUT AT STD REV, ALPHA 12/73	FREQ.	ANGLES FROM INLET IN DEGREES (AND RADIANS)																PHL	
		30.	40.	50.	60.	70.	80.	90.	100.	110.	120.	130.	140.	150.	160.	(0.0)	(0.0)		(0.0)
NO EGA.	50	69.6	69.6	70.4	70.2	70.5	70.8	71.9	73.0	74.1	75.3	77.8	80.5	84.6	87.2				118.5
RDG, NO. 0.	63	72.3	73.1	73.4	73.2	73.3	73.9	74.5	75.9	77.1	78.8	81.6	84.1	88.0	90.1				121.7
RADIAL 40, FT. (12. M)	80	74.9	75.9	76.3	75.4	75.8	75.9	77.8	78.1	79.3	81.6	85.2	88.4	91.0	93.1				124.9
VEHICLE JENOTS CONFIG JE-060	100	78.6	78.1	78.6	77.9	78.1	79.4	81.7	82.8	84.2	85.9	88.6	92.8	96.8	98.2				129.7
LOC EVENDALE	125	81.4	80.2	80.2	80.2	80.2	82.7	84.9	85.9	86.9	89.2	91.4	95.3	98.8	99.3				131.7
DATE 05-08-75	160	86.1	82.9	83.9	83.4	83.6	85.1	87.3	88.1	90.4	91.6	93.6	96.4	99.8	100.3				133.3
RUN DBTF-MODEL 3	200	85.8	84.8	83.8	83.5	84.0	85.8	86.8	88.3	90.5	93.0	97.1	100.6	103.2	103.8				136.3
TAPE X30230	250	87.5	87.0	86.3	85.8	86.0	87.0	87.8	89.3	95.0	95.8	99.5	102.3	105.9	104.9				138.4
BAR 29.4 HG (99178, N/M2)	315	89.5	87.3	86.8	87.5	89.0	89.7	89.0	92.8	94.0	96.5	100.8	103.6	107.9	109.0				140.6
TAMB 71, DEG F (295, DEG K)	400	86.1	83.9	87.8	86.9	88.6	88.4	90.3	92.8	95.0	98.1	98.0	104.5	108.4	106.3				140.2
THET 55, DEG F (286, DEG K)	500	87.1	87.3	88.6	86.8	87.9	88.9	90.9	92.7	94.4	96.4	98.7	105.9	107.8	104.1				140.0
HACT 0, GM/M3 (, KG/M3)	630	87.6	87.7	87.7	86.4	88.4	88.0	91.3	93.4	95.7	96.9	100.7	104.8	107.1	104.1				139.7
FREQ, SHIFT	800	86.5	88.2	87.6	88.5	89.3	89.3	90.9	93.9	96.0	99.0	101.2	103.3	103.7	103.0				138.6
DIAMETER RATIO	1000	87.1	86.1	88.0	87.7	88.8	89.7	91.7	93.6	95.6	99.1	100.7	101.2	99.9	97.9				137.1
DF/DM 1.00	1250	85.5	86.4	87.4	87.8	88.5	89.7	92.2	93.4	95.2	98.1	101.1	101.7	97.7	94.7				136.8
	1600	84.3	86.7	87.9	87.5	88.8	90.5	91.8	93.7	94.8	97.3	99.8	99.0	95.9	91.7				135.6
	2000	86.1	86.3	86.0	88.7	89.7	90.1	91.8	92.8	94.7	96.9	99.2	97.5	94.4	91.0				135.0
	2500	85.1	86.8	88.0	87.5	88.6	89.9	91.7	93.7	95.1	96.3	97.3	96.4	92.9	89.5				134.4
	3150	83.8	87.2	87.8	88.7	90.1	90.1	91.8	93.2	94.6	96.4	96.4	95.7	92.8	89.7				134.2
	4000	82.7	86.2	87.5	88.8	89.9	91.1	92.1	94.2	96.6	96.4	95.6	94.1	91.6	89.0				134.4
	5000	83.0	85.8	87.9	89.4	90.3	91.9	93.6	95.6	98.6	98.3	95.8	94.7	91.8	89.1				135.7
	6300	83.3	87.9	89.6	91.2	92.7	94.3	95.0	97.7	100.6	99.5	95.7	94.0	91.9	89.2				137.3
	8000	83.9	88.4	90.2	92.1	93.9	95.7	96.4	99.3	102.1	100.8	96.1	93.9	91.8	89.8				138.8
	10000	85.0	90.2	91.7	94.2	95.2	96.6	97.7	101.0	103.8	102.6	97.4	94.2	92.4	90.8				140.7
	12500	85.1	91.4	93.2	95.2	96.1	96.6	98.6	101.5	103.7	103.3	98.4	95.1	92.8	91.7				141.5
	16000	83.3	89.6	92.6	94.6	95.5	95.6	97.4	99.7	101.7	101.6	97.5	94.1	91.8	89.9				140.4
	20000	80.1	87.4	89.1	91.4	92.4	92.8	94.4	96.5	98.6	98.8	94.5	91.5	88.3	86.1				137.8
	25000	76.8	85.0	86.5	89.6	89.9	90.9	92.0	93.8	96.0	95.3	90.6	87.7	85.6	82.8				135.5
	31500	73.4	81.0	83.3	86.2	86.5	88.8	89.6	91.1	92.5	92.7	87.8	84.2	82.2	79.6				133.2
	40000	70.3	77.5	79.8	82.6	83.4	84.2	86.4	87.0	89.4	88.4	83.9	80.5	78.5	76.5				130.2
	50000	67.4	73.6	76.1	78.9	78.8	79.9	82.7	84.8	86.4	86.0	80.3	76.2	77.3	74.2				128.2
	63000	66.3	69.5	71.9	74.6	74.9	75.9	78.4	82.0	83.2	84.1	77.6	77.8	77.0	74.1				127.3
	80000	66.2	65.5	66.8	68.9	70.6	71.9	74.0	79.5	79.6	83.9	75.7	78.4	77.9	75.1				128.4
OVERALL MEASURED		99.3	101.2	102.5	103.8	104.8	105.8	107.3	109.6	112.0	112.3	112.0	114.0	115.9	114.7				152.0
OVERALL CALCULATED		110.2	112.2	113.1	114.0	115.3	116.5	117.7	120.0	122.5	122.8	122.8	123.2	123.7	122.4				

182

314

SPL INPUT AT STD REV, ALPHA 12/73	FREQ.	ANGLES FROM INLET IN DEGREES (AND RADIANS)																PWL	
		30.	40.	50.	60.	70.	80.	90.	100.	110.	120.	130.	140.	150.	160.	0.	0.		0.
NO EGA	50	74,1	74,3	75,6	75,7	77,0	76,8	78,4	80,0	78,1	79,6	82,0	85,0	88,8	93,2				123,6
RDG. NO. 0	63	77,1	77,3	78,4	78,7	78,5	78,9	80,5	81,7	80,6	83,8	86,3	89,6	93,0	96,1				127,0
RADIAL 40, FT.	80	79,6	80,9	81,3	80,4	80,3	80,9	83,1	83,8	83,8	86,1	89,7	93,1	96,0	98,6				129,9
(12, M)	100	84,1	83,9	84,4	83,4	83,4	84,4	87,2	88,1	88,7	90,9	93,6	97,8	102,3	103,7				135,0
VEHICLE JENOTS	125	86,7	85,4	84,9	85,4	84,9	87,4	90,1	90,7	91,4	93,9	95,7	100,1	103,0	104,5				136,5
CONFIG JE-060	160	91,4	88,6	88,9	88,4	88,1	90,1	92,3	92,6	94,9	96,9	98,4	101,9	104,8	105,8				138,5
LOC EVENDALE	200	91,0	89,8	88,5	88,3	89,0	90,5	92,0	93,0	94,8	98,0	102,6	106,4	108,7	109,0				141,7
DATE 05-08-75	250	92,3	92,0	91,0	90,5	90,8	91,3	92,3	93,5	99,5	100,0	104,8	108,0	111,4	109,6				143,6
RUN DBTF=MODEL 3	315	93,8	91,5	91,3	92,0	93,8	93,9	92,8	96,8	97,3	101,0	105,8	108,9	113,4	113,0				145,4
TAPE X30250	400	91,4	89,4	92,8	91,6	92,6	93,2	94,5	96,8	99,0	102,6	104,5	110,0	113,7	110,1				145,3
BAR 29.3 HG	500	93,6	93,6	93,8	91,8	92,7	93,9	95,7	97,9	99,7	101,7	104,7	110,9	113,3	111,1				145,5
(99111, N/M2)	630	95,6	94,2	93,7	91,7	93,2	93,5	96,3	97,9	100,9	102,7	106,9	110,1	114,1	112,6				146,2
TAMB 71, DEG F	800	94,0	94,4	93,6	93,8	95,0	94,8	96,7	99,6	101,5	105,0	107,0	109,0	110,0	111,2				144,9
(295, DEG K)	1000	95,3	92,4	93,3	93,2	94,0	94,9	97,7	99,1	101,6	105,1	107,0	106,9	107,9	106,7				143,5
TWET 55, DEG F	1250	93,0	92,9	93,6	93,5	94,5	95,4	98,2	99,2	101,2	105,1	107,3	107,2	104,9	103,7				143,1
(286, DEG K)	1600	91,1	93,2	93,2	93,2	94,6	96,0	98,0	100,0	101,1	104,3	106,3	105,0	102,9	101,7				142,1
HACT 0, GM/M3	2000	92,6	92,6	92,3	94,2	95,5	96,6	97,8	99,8	101,7	103,9	105,7	105,5	102,9	101,0				142,1
(, KG/M3)	2500	91,8	92,8	93,0	93,0	93,9	95,7	97,0	99,7	102,1	103,6	104,0	104,4	102,9	100,0				141,4
FREQ. SHIFT	3150	91,8	93,2	93,0	93,5	95,4	95,6	97,3	99,4	101,8	103,1	103,9	104,4	103,6	100,4				141,5
JET 0	4000	89,9	91,7	92,0	93,6	94,7	95,8	97,1	100,0	102,8	102,9	103,3	103,8	102,6	99,5				141,4
DIAMETER RATIO	5000	90,0	91,6	92,2	93,9	94,8	96,4	98,1	100,8	104,1	103,3	103,3	104,2	102,1	98,9				141,8
DF/DM 1.00	6300	88,6	91,9	92,6	94,9	96,7	97,8	98,7	101,2	104,6	102,5	102,2	103,0	101,2	96,7				141,9
	8000	88,6	92,2	93,7	94,9	97,1	98,2	99,6	103,1	105,6	102,3	100,8	100,9	99,8	95,5				142,3
	10000	88,2	92,9	93,9	96,2	98,2	99,3	100,9	104,3	106,3	102,3	100,4	99,2	97,7	94,0				143,2
	12500	87,3	93,1	94,0	96,0	98,4	99,3	101,6	104,2	105,9	103,0	99,7	97,4	95,6	92,5				143,3
	16000	85,5	91,6	93,1	94,9	97,3	98,8	100,2	102,7	103,7	101,6	98,8	96,3	93,8	90,6				142,2
	20000	82,6	88,6	90,1	92,9	94,4	95,8	97,9	99,9	101,1	98,3	95,8	93,8	91,6	88,1				139,9
	25000	80,1	86,5	88,0	90,6	91,6	93,1	95,3	96,8	98,5	96,3	92,3	90,4	88,8	85,0				137,8
	31500	76,4	82,7	83,8	87,0	87,8	90,3	92,4	94,1	95,2	93,4	89,6	87,4	86,2	81,6				135,3
	40000	73,8	79,8	81,5	84,1	84,9	85,9	88,1	90,0	92,1	89,9	85,6	84,3	83,5	80,5				132,5
	50000	70,4	75,9	77,6	80,4	81,3	82,6	84,9	86,8	88,9	87,8	84,0	84,0	84,3	80,9				130,8
	63000	68,6	71,3	72,7	77,1	78,9	79,2	81,7	84,2	86,2	88,6	83,6	85,6	86,0	82,9				131,5
	80000	67,4	66,3	67,8	74,4	77,9	77,4	80,0	81,2	83,4	90,9	84,7	87,7	87,4	84,6				135,1
OVERALL MEASURED		105,3	105,9	106,3	107,1	108,6	109,7	111,4	113,8	116,0	116,3	117,8	119,8	121,9	120,7				156,8
OVERALL CALCULATED		117,0	117,9	118,0	118,8	120,0	120,9	122,4	124,8	127,5	128,1	129,3	130,5	130,6	128,9				

183

ORIGINAL PAGE IS OF POOR QUALITY

SPL INPUT AT STD REV, ALPHA 12/73	ANGLES FROM INLET IN DEGREES (AND RADIANS)																		PWL
	30.	40.	50.	60.	70.	80.	90.	100.	110.	120.	130.	140.	150.	160.	0.	0.	0.		
FREQ.	(0.52)	(0.70)	(0.87)	(1.05)	(1.22)	(1.40)	(1.57)	(1.75)	(1.92)	(2.09)	(2.27)	(2.44)	(2.62)	(2.79)	(0.)	(0.)	(0.)		
NO EGA	50	63,1	63,6	64,4	63,9	64,5	64,8	65,9	67,3	67,9	68,1	70,0	71,5	75,1	75,2			109,7	
RDG. NO. 0	63	64,8	65,8	65,4	65,7	66,3	69,6	68,5	69,7	69,9	71,6	73,1	74,9	78,7	79,3			112,9	
RADIAL 40, FT. (12, M)	80	66,1	66,4	67,8	67,9	69,0	68,9	70,3	71,1	72,3	73,6	75,5	78,1	81,5	82,6			115,5	
VEHICLE JENOTS CONFIG JE-060	100	69,1	69,6	70,6	70,1	70,1	71,1	74,2	75,6	76,7	77,9	79,1	82,8	87,3	88,7			123,4	
LOC EVENDALE	125	71,7	70,4	70,2	71,9	71,9	74,7	77,4	77,7	78,9	81,2	82,4	86,1	89,5	90,3			122,8	
DATE 05-08-75	160	75,6	73,6	73,6	74,6	74,9	77,4	79,6	79,9	82,4	83,6	84,4	87,1	90,6	92,8			124,8	
RUN DBTF-MODEL 3	200	76,3	76,0	75,3	75,5	76,3	77,8	79,5	80,0	81,8	84,5	85,6	88,1	91,5	96,3			126,4	
TAPE X30320	250	79,0	78,8	78,3	79,0	79,0	79,3	80,3	81,8	81,8	86,3	87,8	88,0	92,4	94,6			127,1	
BAR 29.4 HG	315	81,5	79,5	79,3	80,5	81,8	82,7	81,3	85,5	85,3	86,3	87,5	88,1	92,4	97,0			128,0	
(99347, N/M2)	400	77,9	75,7	79,0	78,6	80,4	79,4	81,3	82,8	84,0	85,8	83,8	90,5	93,7	92,8			126,8	
TAMB 69, DEG F	500	76,6	77,8	79,6	77,8	78,9	79,4	82,4	82,7	84,4	85,4	86,7	92,6	93,3	93,6			127,5	
(294, DEG K)	630	77,6	79,4	80,4	78,7	80,2	80,0	83,1	84,1	85,4	85,4	86,9	90,8	92,1	93,1			127,1	
THET 56, DEG F	800	78,7	80,9	79,6	80,8	81,3	81,0	82,1	84,1	85,8	88,3	89,7	91,0	91,2	91,7			127,5	
(286, DEG K)	1000	78,8	78,6	80,3	80,7	82,5	82,9	83,7	84,6	85,6	87,6	88,2	89,9	90,1	87,4			126,7	
HACT 0, GM/M3	1250	79,0	79,4	80,9	80,3	81,7	81,7	83,9	84,4	85,2	86,6	88,6	90,2	88,4	84,9			126,3	
(, KG/M3)	1600	78,3	80,7	81,1	81,2	81,8	82,7	84,0	84,5	85,1	86,7	88,1	88,5	86,6	83,5			125,9	
FREQ. SHIFT	2000	80,3	80,3	80,3	82,4	83,5	83,1	84,0	84,3	85,0	86,4	86,9	88,0	84,8	81,8			125,6	
JET 0	2500	79,3	80,5	81,7	80,4	82,3	82,7	83,2	84,6	85,3	86,1	86,2	86,9	83,4	80,5			123,1	
DIAMETER RATIO	3150	77,3	80,4	81,0	81,9	82,1	81,8	82,8	84,1	84,5	86,6	86,4	85,9	82,8	80,1			124,9	
DF/DM 1.00	4000	76,1	79,6	80,7	81,3	81,8	82,0	83,1	83,9	85,0	87,1	86,8	84,3	81,5	79,0			124,9	
	5000	76,0	80,0	81,1	81,6	82,0	82,8	83,5	85,0	86,5	89,2	88,4	85,1	81,2	79,8			126,2	
	6300	75,9	81,5	82,2	82,8	83,1	83,6	84,1	85,8	87,5	90,1	90,0	85,1	82,3	80,3			127,3	
	8000	75,9	81,4	82,7	82,7	83,9	84,0	84,4	86,6	87,9	90,8	90,3	85,1	82,8	81,1			128,0	
	10000	75,2	81,1	82,9	83,4	84,1	84,0	84,1	85,9	88,0	90,3	89,8	84,7	82,1	81,2			128,1	
	12500	73,5	81,3	82,9	83,3	83,7	83,5	83,8	85,4	87,1	89,4	88,6	83,5	81,5	80,4			127,6	
	16000	71,8	80,6	82,1	82,2	82,6	81,6	82,5	84,3	85,5	87,2	86,1	81,9	80,9	79,2			126,4	
	20000	70,6	80,7	81,4	81,4	80,9	79,6	80,5	82,0	83,9	85,1	83,3	79,8	79,6	78,4			125,1	
	25000	68,1	79,3	80,1	79,9	78,4	77,7	78,3	79,8	81,8	83,1	80,6	77,8	77,9	77,3			123,6	
	31500	65,0	76,3	77,1	76,3	75,1	75,1	76,0	77,4	78,8	80,0	78,2	75,5	76,3	74,7			121,4	
	40000	61,5	72,9	73,7	74,0	72,3	70,8	72,5	74,2	75,8	76,3	73,3	71,7	72,6	71,9			118,7	
	50000	58,8	68,2	69,7	70,0	68,7	67,7	70,0	72,2	72,2	73,8	70,8	69,3	69,6	68,5			116,7	
	63000	57,3	64,2	66,1	65,8	64,4	64,1	66,1	69,7	69,9	73,1	67,6	67,8	68,5	66,6			116,1	
	80000	56,9	59,0	60,3	60,3	61,1	59,9	61,5	68,4	65,8	73,1	65,9	68,4	65,3				117,5	
OVERALL MEASURED		91,1	93,6	94,5	94,8	95,4	95,5	96,5	97,9	99,3	101,1	101,3	101,7	102,9	104,2			140,4	
OVERALL CALCULATED		103,1	105,1	105,9	106,4	107,0	107,2	108,3	109,5	110,8	112,9	113,1	112,5	111,4	111,7				

184

316

SPL INPUT AT STD REV, ALPHA 12/73	FREQ.	ANGLES FROM INLET IN DEGREES (AND RADIAN'S)																PWL
		30. (0.52)	40. (0.70)	50. (0.87)	60. (1.05)	70. (1.22)	80. (1.40)	90. (1.57)	100. (1.75)	110. (1.92)	120. (2.09)	130. (2.27)	140. (2.44)	150. (2.62)	160. (2.79)	0. (0.)	0. (0.)	
NO EGA	30	68.1	69.3	70.1	69.9	71.0	72.1	72.9	72.5	73.4	73.8	75.0	77.3	81.6	81.9			119.8
RDG, NO. 0	63	70.1	70.8	71.6	71.5	72.5	74.4	76.3	75.7	75.9	76.8	78.8	81.1	85.5	86.3			119.3
RADIAL 40, FT. (12, M)	80	71.9	73.1	73.8	74.1	74.0	75.2	76.3	77.1	78.1	79.1	81.7	84.9	88.5	90.1			122.1
VEHICLE JENOTS	100	74.9	75.6	76.4	75.6	76.1	77.4	79.9	81.3	82.2	83.9	85.6	89.8	94.0	95.7			127.1
CONFIG JE-060	125	77.9	76.9	76.7	78.2	77.9	79.9	83.6	83.7	85.2	87.4	88.9	92.3	96.0	97.3			129.3
LOC EVENDALE	160	81.9	79.9	79.1	80.1	80.9	83.1	86.1	85.4	88.1	89.6	90.9	93.9	97.1	99.1			131.1
DATE 05-08-73	200	82.3	81.8	80.5	81.0	81.8	83.5	85.3	86.3	88.0	90.3	91.6	94.6	97.7	101.3			132.1
RUN DBTF=MODEL 3	250	83.5	83.8	83.5	83.3	84.0	84.8	85.5	86.3	91.8	91.0	93.0	94.5	99.2	100.1			132.7
TAPE X30340	315	85.8	83.8	84.0	85.0	85.8	86.2	85.8	89.8	89.3	90.8	94.0	95.1	99.4	102.0			133.5
BAR 29.4 HG (99347, N/M2)	400	82.1	80.4	84.5	83.1	85.4	84.9	86.8	88.8	90.0	92.6	91.8	97.5	100.4	98.1			133.2
TAMB 70, DEG F (294, DEG K)	500	82.1	83.6	85.6	84.0	85.4	86.6	88.2	89.9	91.4	92.4	94.7	99.8	98.1				134.1
TWET 54, DEG F (285, DEG K)	630	83.1	85.2	86.2	84.2	86.2	86.0	89.1	90.6	92.2	92.7	95.4	98.6	99.6	97.1			133.9
HACT 0, GM/M3 (, KG/M3)	800	83.7	86.7	86.4	86.8	87.5	87.0	88.9	91.9	92.8	96.0	97.0	98.3	97.7	97.2			134.4
FREQ, SHIFT	1000	85.3	85.1	87.3	86.9	87.8	88.7	89.9	91.6	93.4	95.8	97.0	97.2	96.1	93.7			133.9
JET 0	1250	84.7	85.7	86.9	87.0	88.0	88.2	90.4	91.4	93.2	95.6	98.1	98.2	94.7	91.7			134.1
DIAMETER RATIO	1600	84.6	87.0	87.2	87.3	88.3	89.3	90.8	92.0	93.6	95.5	96.9	96.5	94.1	90.7			133.7
DF/DH 1.00	2000	86.4	86.6	86.8	88.9	89.7	89.9	90.6	92.4	93.8	96.5	97.2	96.8	93.9	91.1			134.1
	2500	85.6	87.6	87.8	87.5	88.9	90.0	90.7	92.4	94.6	96.9	95.8	96.0	92.9	90.8			133.9
	3150	84.8	87.9	88.6	89.5	90.1	90.1	91.3	93.2	94.3	97.7	96.0	96.2	93.4	90.9			134.5
	4000	84.0	87.8	88.5	89.4	90.2	90.6	91.9	94.0	96.1	97.9	95.4	95.1	92.6	90.6			134.8
	5000	84.1	87.8	89.7	90.4	90.9	91.7	92.4	94.9	98.2	100.1	96.3	95.2	92.6	90.9			136.1
	6300	84.1	87.9	90.4	91.5	92.5	92.8	94.0	96.3	98.4	100.6	95.7	95.1	93.0	90.5			136.8
	8000	84.9	90.0	91.7	92.7	93.2	94.3	94.9	97.9	100.4	101.6	96.6	94.2	92.8	91.6			138.3
	10000	86.3	91.5	93.0	94.1	94.5	95.2	95.5	98.6	101.9	102.9	97.7	94.8	93.7	91.8			139.8
	12500	85.9	92.2	94.3	95.0	95.7	95.4	96.7	98.8	101.3	102.9	98.5	95.5	93.2	91.8			140.3
	16000	85.1	90.7	92.9	94.0	95.4	94.9	95.3	97.8	99.6	101.7	97.1	93.9	91.9	89.8			139.4
	20000	83.4	89.5	91.7	93.0	94.2	93.5	93.6	94.8	97.2	97.7	94.4	91.4	88.9	88.0			137.4
	25000	81.2	87.6	90.4	92.5	92.7	93.5	93.1	93.1	94.1	95.4	90.6	88.3	86.9	84.9			136.1
	31500	77.5	83.8	86.6	88.5	89.3	91.1	91.7	91.6	90.8	92.5	88.2	85.0	83.3	81.5			134.0
	40000	74.1	80.1	82.8	84.9	85.2	86.2	87.7	88.3	88.9	89.5	84.7	81.4	80.3	78.8			131.3
	50000	71.4	76.6	79.3	81.6	81.6	82.3	83.9	85.1	85.6	87.0	82.0	79.7	78.5	76.1			129.2
	63000	68.5	72.5	75.6	77.8	77.9	78.4	81.4	82.4	82.4	84.8	78.4	78.3	77.0	74.3			128.2
	80000	67.2	67.8	69.6	72.3	72.1	74.2	79.2	79.7	78.6	83.6	76.1	78.4	76.4	74.8			128.8
OVERALL MEASURED		98.1	101.4	103.0	103.9	104.7	105.0	105.9	107.9	110.1	111.8	109.5	109.8	110.1	110.0			149.9
OVERALL CALCULATED		109.8	112.3	113.2	113.8	114.7	115.2	116.4	118.5	120.8	122.8	121.0	121.5	120.8	118.8			

185

ORIGINAL PAGE IS
OF POOR QUALITY

SPL INPUT AT STD REV, ALPHA 12/73	ANGLES FROM INLET IN DEGREES (AND RADIANS)																PHL		
	FREQ:	30.	40.	50.	60.	70.	80.	90.	100.	110.	120.	130.	140.	150.	160.	0.		0.	0.
NO EGA.	50	65.8	66.3	67.1	67.2	67.7	68.6	69.4	70.3	70.9	71.8	74.3	77.0	81.1	82.2				114.7
RDG, NO. 0.	63	68.3	69.8	70.9	70.8	70.8	73.6	72.0	72.4	74.1	75.8	78.6	80.9	84.7	86.1				118.4
RADIAL 40, FT.	80	70.9	72.1	73.0	72.6	72.5	72.7	74.6	75.3	76.6	78.6	81.0	84.4	88.0	89.1				121.3
(12, M)	100	74.4	74.9	75.6	74.6	74.6	76.4	79.4	80.6	81.5	82.6	85.4	89.3	93.5	94.7				126.4
VEHICLE JENOTS	125	77.7	76.4	75.7	76.7	76.7	78.9	82.4	82.4	83.7	86.7	88.9	92.3	95.5	96.8				128.8
CONFIG JE-060	160	82.1	78.4	79.1	79.4	79.6	81.9	84.3	84.9	88.1	88.9	90.4	92.9	96.1	97.3				130.0
LOC EVENDALE	200	81.5	81.0	79.5	80.0	80.5	82.3	84.0	85.0	87.0	89.3	91.1	94.4	97.7	100.3				131.5
DATE 05-08-75	250	83.5	83.3	82.5	83.0	83.3	83.5	84.5	85.8	91.5	90.8	92.8	95.3	99.7	100.4				132.9
RUN DBTF-MODEL 3	315	85.5	83.3	82.8	83.8	85.3	85.9	85.3	89.3	89.0	91.0	94.0	95.1	100.7	103.5				134.2
TAPE X30360	400	81.6	79.4	83.3	82.4	84.1	83.9	85.5	87.8	89.8	92.6	91.3	97.5	101.2	99.3				133.5
BAR 29.4 HG	500	81.1	82.1	83.6	82.5	84.2	84.9	86.9	88.4	90.2	91.7	93.2	98.4	99.6	97.3				133.1
(99246, N/M2)	630	81.6	84.0	84.7	83.0	85.0	84.8	87.9	88.9	90.7	91.7	94.0	97.6	98.9	97.1				132.9
TAMB 72, DEG F	800	82.7	84.9	84.1	85.3	86.0	85.3	87.4	90.1	91.3	94.0	96.2	97.0	96.2	96.7				133.1
(295, DEG K)	1000	84.1	83.4	85.3	84.9	86.0	86.9	88.4	90.1	91.1	93.6	94.7	95.9	94.6	91.9				132.1
THWT 58, DEG F	1250	83.5	84.7	85.6	85.3	86.2	86.9	88.7	89.9	90.7	93.1	95.3	96.7	93.7	89.9				132.2
(286, DEG K)	1600	83.1	86.0	85.4	85.8	86.8	88.0	89.3	90.5	90.8	93.0	95.1	95.2	92.1	88.5				131.9
HACT 0, GM/M3	2000	85.6	85.6	85.3	86.9	87.7	88.1	89.1	90.4	91.0	92.9	94.7	94.5	91.4	88.6				131.7
(, KG/M3)	2500	84.3	86.6	86.8	86.2	87.6	88.2	88.7	90.7	92.1	93.1	93.8	93.7	90.7	88.5				131.7
FREQ, SHIFT	3150	84.1	87.5	87.8	88.3	88.9	88.4	89.6	91.2	91.8	93.9	93.5	93.7	90.6	88.7				132.1
JET 0.	4000	83.0	86.8	87.5	87.9	88.7	89.4	89.7	91.3	92.4	94.5	92.9	92.4	90.4	87.6				132.1
DIAMETER RATIO	5000	82.8	86.6	88.2	88.4	88.6	89.4	90.4	92.2	93.7	96.3	93.5	92.0	89.6	88.2				133.0
DF/DM 1:00	6300	84.1	87.9	88.9	89.5	90.0	90.6	91.0	93.3	95.2	97.3	93.7	91.8	90.2	88.7				134.0
	8000	85.2	90.2	90.2	91.0	91.7	91.3	91.9	94.4	96.2	98.6	94.4	91.7	90.6	90.6				135.4
	10000	87.3	92.0	92.3	93.1	93.3	92.9	93.0	94.8	97.2	98.5	95.4	92.0	91.5	92.1				136.6
	12500	87.9	93.5	94.6	95.1	94.5	93.4	93.5	94.9	96.0	98.1	95.0	91.5	91.7	92.2				137.1
	16000	87.9	92.9	94.2	93.7	95.2	94.2	93.8	94.0	94.3	95.7	93.6	89.9	89.4	89.0				136.6
	20000	86.7	91.5	93.2	94.0	95.0	94.0	93.3	93.4	93.0	92.7	90.9	87.9	87.4	87.0				136.1
	25000	83.9	89.4	90.9	93.0	93.5	94.0	93.9	92.7	91.9	90.5	87.7	85.8	85.7	84.7				135.5
	31500	79.8	85.3	86.9	88.1	88.9	90.9	92.3	91.7	89.8	88.6	86.2	83.6	83.4	81.3				133.4
	40000	73.9	81.6	84.1	84.6	84.7	84.8	87.0	87.9	87.7	85.8	83.0	81.1	80.6	78.6				130.3
	50000	72.7	78.2	80.2	81.0	80.9	81.9	82.7	83.9	83.9	83.3	80.8	79.2	78.6	76.2				127.9
	63000	67.6	73.8	75.9	77.4	76.9	77.7	79.2	80.2	80.4	81.6	77.7	77.1	78.1	74.9				126.5
	80000	62.2	68.8	71.3	72.1	72.4	73.2	74.3	75.5	76.9	82.1	74.9	76.2	77.4	75.4				127.0
OVERALL MEASURED		98.3	101.8	102.7	103.2	103.8	103.8	104.3	105.4	106.6	108.2	107.5	108.4	109.6	109.8				148.0
OVERALL CALCULATED		109.1	111.6	112.1	112.4	113.1	113.6	114.4	116.1	117.7	119.7	119.0	119.5	118.6	118.2				

186

SPL INPUT AT STD REV, ALPHA 12/73	FREQ.	ANGLES FROM INLET IN DEGREES (AND RADIAN)														PWL			
		(0.52)	(0.70)	(0.87)	(1.05)	(1.22)	(1.40)	(1.57)	(1.75)	(1.92)	(2.09)	(2.27)	(2.44)	(2.62)	(2.79)		(0.0)	(0.0)	(0.0)
NO EGA	50	66.1	66.8	67.6	67.4	68.2	68.6	69.6	70.8	71.6	72.6	75.3	78.3	82.3	82.9				115.6
RDG, NO. 0	63	69.3	70.6	71.6	71.2	71.3	73.1	72.0	73.9	74.9	77.1	79.1	82.1	86.0	86.6				119.3
RADIAL 40, FT.	80	72.4	73.9	74.5	74.1	73.3	73.9	75.8	76.6	77.8	79.9	83.2	86.9	89.5	90.9				123.1
(12, M)	100	76.4	76.1	76.9	75.9	75.9	76.6	79.9	81.3	82.7	84.1	86.6	90.5	94.3	95.7				127.4
VEHICLE JENOTS	125	79.2	77.7	77.9	77.7	77.4	79.7	82.6	83.4	85.2	87.4	89.4	92.8	96.5	97.0				129.5
CONFIG JE-060	160	83.4	80.4	80.9	80.6	80.9	82.6	85.3	85.4	88.4	89.6	91.1	94.1	97.8	98.6				131.3
LOC EVENDALE	200	83.0	81.5	80.3	81.0	81.5	83.5	84.3	86.0	87.5	90.5	92.6	95.9	98.7	100.8				132.4
DATE 05-08-75	250	85.0	84.5	83.8	84.0	83.8	84.5	85.3	87.0	92.3	92.0	94.5	96.8	101.2	101.4				134.1
RUN DBTF-MODEL 3	315	86.3	83.8	84.0	84.8	86.8	87.2	86.3	89.8	90.3	92.5	95.5	98.9	102.2	104.0				135.3
TAPE X30370	400	82.1	80.9	84.3	83.6	85.4	85.4	87.0	89.1	91.0	93.8	93.0	96.5	101.9	99.6				134.4
BAR 29.4 HG	500	82.1	83.8	85.3	83.8	85.2	86.4	88.4	89.9	91.7	92.9	94.7	100.1	100.6	98.1				134.4
(99246, N/M2)	630	83.3	84.7	86.0	84.0	86.0	85.8	88.6	89.9	92.4	93.5	96.2	99.1	99.9	98.3				134.4
TAMB 71, DEG F	800	83.5	85.9	85.6	85.8	87.3	87.0	88.7	91.6	93.3	96.0	97.5	98.5	97.5	96.7				134.4
(295, DEG K)	1000	84.8	84.1	86.0	85.4	87.0	87.9	89.4	91.1	93.1	95.8	97.0	96.7	95.1	91.9				133.5
TWET 55, DEG F	1250	84.2	84.7	86.4	86.3	87.0	87.9	90.2	91.4	93.2	95.4	97.1	97.7	93.2	90.2				133.6
(286, DEG K)	1600	83.6	86.2	85.7	86.5	87.8	88.8	90.5	91.8	93.1	95.3	95.9	95.5	92.6	88.5				133.0
HACT 0, GM/M3	2000	85.4	85.4	85.6	86.2	89.0	89.4	90.8	92.4	93.8	95.6	95.4	95.3	91.9	88.8				133.2
(, KG/M3)	2500	84.1	86.3	87.0	86.7	88.6	90.0	91.0	92.7	94.6	95.9	94.5	94.7	91.2	88.5				133.3
FREQ, SHIFT	3150	83.6	86.5	87.8	88.3	89.6	89.9	91.3	93.2	95.1	97.2	94.7	94.4	91.6	88.2				133.9
JET 0	4000	82.0	85.8	87.3	88.6	89.2	91.1	91.9	94.3	96.6	97.7	94.4	92.9	90.6	87.6				134.4
DIAMETER RATIO	5000	82.8	86.6	87.9	89.4	90.4	92.2	93.6	96.1	99.4	99.1	94.5	93.5	90.3	88.4				136.0
DF/DM 1.00	6300	83.1	87.4	89.4	91.2	92.8	94.3	95.3	98.5	101.2	100.6	94.7	93.6	91.0	88.5				137.7
	8000	84.9	89.5	91.0	93.2	94.7	96.0	97.9	101.1	103.2	101.9	96.1	93.7	91.3	88.8				139.9
	10000	85.6	91.0	93.0	95.1	96.5	97.9	99.3	102.8	105.4	103.0	97.7	94.0	91.5	89.8				141.9
	12500	85.7	91.3	92.6	94.8	96.2	97.7	100.3	102.6	105.0	103.6	98.5	94.7	92.4	90.1				142.3
	16000	83.4	90.2	92.4	94.0	95.7	96.4	98.5	100.8	102.3	101.7	97.4	93.7	91.2	89.0				140.9
	20000	80.9	88.3	90.2	91.5	92.8	93.7	96.1	98.1	100.0	98.7	94.6	91.1	88.7	86.2				138.7
	25000	77.2	85.1	87.4	88.3	89.8	91.3	93.4	95.2	96.9	96.0	90.9	87.6	85.4	82.2				136.3
	31500	74.0	81.1	82.9	85.1	86.1	88.4	90.8	92.4	93.6	93.1	88.5	84.3	81.9	78.5				133.8
	40000	70.9	78.1	79.6	81.6	82.7	83.5	86.2	88.6	90.7	88.8	84.2	80.1	78.1	75.6				130.8
	50000	66.7	73.9	75.9	77.7	78.1	79.9	82.4	85.4	86.9	86.0	80.5	78.2	76.3	73.7				129.4
	63000	62.8	69.5	71.4	73.4	74.2	75.4	78.4	82.7	84.2	84.1	77.4	77.4	75.8	73.9				127.5
	80000	59.0	65.3	66.8	68.1	70.1	71.5	74.5	80.2	80.6	83.1	75.7	78.2	76.2	74.9				128.3
OVERALL MEASURED		97.6	100.5	102.0	103.3	104.7	105.9	107.7	110.5	112.5	111.9	109.3	109.8	110.7	110.3				150.8
OVERALL CALCULATED		109.0	111.3	112.4	113.5	114.8	116.0	117.3	119.9	122.2	122.5	120.3	120.6	119.4	118.5				

187

U-3

319

ORIGINAL PAGE IS
OF POOR QUALITY

MODEL SOUND PRESSURE LEVELS (59, DEG. F, 70 PERCENT REL. HUM, DAY - JENOTS)
 PROC. DATE - MONTH, AB, DAY 0 HR, 0.8

SPL INPUT AT STD REV, ALPHA 12/73	FREQ.	ANGLES FROM INLET IN DEGREES (AND RADIANS)																		PWL
		30. (0.52)	40. (0.70)	50. (0.87)	60. (1.05)	70. (1.22)	80. (1.40)	90. (1.57)	100. (1.75)	110. (1.92)	120. (2.09)	130. (2.27)	140. (2.44)	150. (2.62)	160. (2.79)	0. (0.0)	0. (0.0)	0. (0.0)		
NO EGA.	50	71.3	71.8	72.9	72.4	73.2	73.1	73.4	74.3	76.4	77.6	79.8	82.8	86.3	90.2				120.8	
RDG, NO. 0.	63	74.8	75.3	75.4	75.5	75.5	76.4	77.0	77.4	78.6	80.8	83.3	86.4	90.5	92.1				123.8	
RADIAL 40. FT. (12. M)	80	76.9	77.9	78.3	77.4	77.5	78.2	79.8	79.8	81.8	83.6	87.0	90.4	93.0	95.1				126.9	
VEHICLE JENOTS CONFIG JE-060	100	81.1	80.6	81.1	80.1	80.4	81.6	84.4	85.6	86.5	87.9	90.4	94.8	98.8	99.9				131.6	
LOC EVENDALE	125	83.9	82.7	82.4	83.2	81.9	84.4	87.1	87.4	88.9	91.2	93.4	97.3	100.3	101.5				133.7	
DATE 05-08-75	160	88.6	85.6	86.4	85.6	85.6	87.1	89.8	89.6	92.6	93.4	95.6	98.6	101.6	102.6				135.4	
RUN DBTF-MODEL 3	200	88.0	87.3	85.8	85.5	86.0	87.5	89.0	90.3	92.0	95.0	98.8	102.6	105.0	105.5				138.1	
TAPE X30410	250	89.5	89.3	88.3	87.8	87.8	88.5	89.3	90.8	96.5	96.8	101.0	104.5	107.9	105.6				140.1	
BAR 29.4 HG (99144, N/M2)	315	90.3	88.8	88.0	89.5	90.5	90.7	90.3	94.3	95.0	97.8	101.8	104.4	109.7	109.8				141.8	
TAMB 72, DEG F (295, DEG K)	400	88.1	86.2	89.5	88.1	90.1	89.9	92.0	94.3	96.3	99.3	99.5	105.3	109.7	107.1				141.3	
THET 56, DEG F (286, DEG K)	500	88.6	89.3	90.3	88.8	90.2	90.9	93.7	94.7	96.4	98.4	100.4	106.1	108.1	105.6				140.8	
HACT 0, GM/M3 (, KG/M3)	630	88.6	89.7	90.0	88.5	90.2	89.8	93.1	95.1	97.4	99.2	102.5	105.1	107.9	105.6				140.8	
FREQ, SHIFT	800	88.5	90.7	90.4	90.8	91.5	91.5	93.4	96.6	98.0	101.3	102.7	104.3	104.2	103.7				140.0	
JET. 0	1000	89.3	88.1	90.0	89.9	90.8	91.7	94.2	95.6	97.9	101.1	103.0	101.9	101.4	98.2				138.8	
DIAMETER RATIO DF/DH 1.00	1250	88.2	89.7	89.9	90.0	91.2	91.9	94.4	95.7	97.9	100.9	103.1	102.7	98.9	95.9				138.8	
	1600	87.3	89.7	89.7	90.7	91.6	92.5	94.5	96.2	97.8	100.0	101.6	100.5	96.9	93.7				137.8	
	2000	88.6	89.1	89.0	91.7	92.5	92.9	94.8	96.1	97.7	100.1	100.9	100.5	97.6	94.0				137.8	
	2500	87.8	89.6	90.0	89.7	91.4	92.7	94.7	96.7	99.0	100.1	99.8	99.7	96.7	93.3				137.6	
	3150	87.8	89.9	90.0	91.5	92.1	93.6	94.8	96.6	99.3	99.9	99.7	98.9	97.1	93.9				137.7	
	4000	85.7	89.4	89.5	91.1	92.6	94.1	95.4	98.0	101.1	99.7	98.8	98.3	96.8	94.0				138.1	
	5000	86.3	89.0	90.1	91.6	93.1	94.4	96.1	99.6	103.1	100.8	99.2	98.9	96.0	93.4				139.2	
	6300	86.0	90.1	91.3	93.4	94.7	96.3	97.7	100.7	104.1	100.7	98.7	98.5	96.4	93.1				140.1	
	8000	87.3	91.1	92.4	94.6	96.6	98.2	99.3	103.0	104.8	101.5	98.7	97.3	96.0	93.2				141.4	
	10000	88.1	92.8	94.1	96.9	98.4	99.8	101.4	104.9	106.5	102.8	99.3	96.9	95.6	93.4				143.3	
	12500	88.2	94.1	95.4	97.6	99.5	100.2	102.8	105.6	107.1	103.9	99.8	97.3	95.2	92.6				144.4	
	16000	85.9	92.0	94.5	96.5	98.2	99.2	101.3	103.6	105.1	103.0	98.9	96.2	93.9	90.8				143.3	
	20000	82.5	88.8	90.2	93.0	94.8	95.7	98.1	99.4	101.3	99.5	96.4	93.7	90.7	87.3				140.1	
	25000	79.5	86.7	87.9	90.5	91.8	93.0	94.9	97.7	98.9	95.8	92.5	89.6	87.5	83.7				137.9	
	31500	75.6	82.4	83.9	87.1	87.9	90.7	92.8	94.7	95.9	93.4	89.3	86.4	83.7	79.8				135.6	
	40000	72.2	78.4	80.4	83.5	84.8	85.9	89.3	90.7	92.6	89.4	84.6	81.7	79.7	76.4				132.6	
	50000	69.2	74.4	76.4	79.7	80.1	82.4	85.2	87.6	89.7	86.1	81.3	79.5	77.9	74.5				130.3	
	63000	67.3	70.3	72.4	74.6	75.9	78.7	81.7	84.5	86.7	84.4	78.2	78.1	77.3	74.1				129.3	
	80000	66.5	67.3	66.9	69.4	71.1	77.0	79.3	81.5	83.1	83.9	76.2	78.4	78.4	75.1				130.1	
OVERALL MEASURED																				
OVERALL CALCULATED		101.6	103.6	104.5	106.0	107.4	108.5	110.5	113.1	115.1	113.9	114.0	115.4	117.3	116.0				154.2	
PND8		110.1	114.9	115.3	116.4	117.5	118.8	120.4	122.7	125.7	125.0	125.3	125.7	125.8	124.1					

188

22

SPL INPUT AT STD REV, ALPHA 12/73	ANGLES FROM INLET IN DEGREES (AND RADIANS)																PWL	
	30.	40.	50.	60.	70.	80.	90.	100.	110.	120.	130.	140.	150.	160.	0.	0.		0.
FREQ:	(0.52)	(0.70)	(0.87)	(1.05)	(1.22)	(1.40)	(1.57)	(1.75)	(1.92)	(2.09)	(2.27)	(2.44)	(2.62)	(2.79)	(0.)	(0.)	(0.)	
NO EGA	50	60.1	62.1	61.4	61.4	61.7	63.3	63.1	64.5	65.9	65.6	65.8	66.8	69.8	70.4			106.0
RDG. NO. 0	63	62.1	67.6	63.2	62.7	63.3	69.1	65.5	67.4	67.8	68.3	70.1	73.5	74.3				109.1
RADIAL 40 FT	80	62.9	63.9	64.8	64.9	65.8	66.2	67.3	69.6	70.4	71.5	73.9	76.8	78.1				111.5
(12 M)	100	64.9	65.9	66.9	66.1	66.6	68.4	70.4	71.6	73.5	74.4	75.9	79.0	82.8	83.9			116.3
VEHICLE JENOTS	125	68.2	67.2	67.2	68.2	68.2	70.9	73.6	73.2	75.4	77.7	79.2	82.6	85.5	86.5			119.1
CONFIG JE-060	160	72.4	70.4	69.6	70.9	71.4	73.9	76.1	76.1	78.9	80.1	80.9	83.6	86.6	88.3			120.9
LOC EVENDALE	200	74.8	74.0	72.5	73.0	73.5	75.8	76.8	77.3	79.0	82.0	82.8	86.1	89.2	92.5			123.5
DATE 05-08-75	250	77.3	76.5	76.0	76.8	77.5	78.0	78.3	80.0	86.5	85.3	87.0	87.3	92.2	94.4			126.4
RUN DBTF-MODEL 3	315	81.0	79.3	78.3	79.3	81.0	81.7	80.5	84.5	85.0	86.3	87.8	89.1	92.9	97.8			128.2
TAPE X30420	400	78.4	74.7	78.3	79.6	82.4	80.7	82.8	84.8	84.5	85.3	83.5	89.3	92.2	92.8			126.5
BAR 29.4 HG	500	74.8	75.8	77.8	77.8	77.2	78.4	79.7	80.7	81.9	82.9	84.7	90.4	91.8	93.1			125.8
(99279, N/M2)	630	76.1	77.9	78.9	78.2	79.7	79.3	81.1	82.6	83.2	83.4	85.4	89.6	90.9	94.6			126.2
TAMB 65, DEG F	800	77.4	80.1	79.4	79.8	79.8	79.0	80.1	82.6	84.0	86.3	87.9	89.8	90.7	93.9			126.7
(291, DEG K)	1000	79.1	78.1	80.3	78.9	79.3	80.4	82.2	83.1	84.4	86.1	87.2	88.9	90.3	89.7			125.8
THWT 53, DEG F	1250	78.2	77.7	78.8	78.3	79.2	79.9	82.1	82.9	83.7	85.6	87.8	90.2	89.2	87.2			125.6
(285, DEG K)	1600	77.3	78.7	78.1	78.0	79.1	80.2	81.5	82.2	83.6	85.5	86.8	87.7	86.1	84.7			124.4
HACT 0, GM/M3	2000	78.8	77.8	76.8	79.1	79.2	80.1	80.5	81.3	83.0	84.1	85.7	87.5	84.6	82.8			123.6
(, KG/M3)	2500	77.5	77.5	77.7	76.9	77.3	78.4	79.9	81.4	82.8	83.6	84.5	85.9	82.9	80.0			122.7
FREQ. SHIFT	3150	75.3	76.6	76.5	76.7	77.6	77.6	78.3	80.1	81.0	82.9	83.7	84.1	81.1	78.4			121.5
JET 0	4000	73.6	74.9	75.7	75.0	76.6	77.6	77.8	79.7	80.3	81.9	82.8	82.8	78.8	76.0			120.6
DIAMETER RATIO	5000	73.2	74.8	74.9	75.1	76.0	76.6	78.0	79.5	80.6	82.0	82.5	81.4	77.8	75.8			120.3
DF/DM 1.00	6300	72.5	75.0	75.5	76.1	76.4	77.2	78.1	79.4	80.3	81.7	81.1	80.2	77.8	74.6			120.1
	8000	71.0	75.0	74.8	75.0	75.8	76.8	77.2	78.4	80.0	81.4	81.7	79.5	76.6	75.1			120.0
	10000	70.0	74.2	74.2	74.3	75.5	76.1	76.5	78.3	79.9	81.2	81.4	79.3	76.5	74.8			120.0
	12500	67.4	72.2	73.0	72.7	74.1	73.9	74.9	76.5	77.4	79.5	79.4	78.6	75.1	73.2			118.6
	16000	64.2	69.8	70.0	69.6	71.3	71.8	72.6	74.6	75.2	76.3	76.2	75.3	72.3	69.6			116.3
	20000	61.5	68.1	66.5	66.8	68.1	68.3	69.4	71.2	73.3	73.5	73.2	71.7	69.0	66.6			113.8
	25000	57.8	69.7	64.4	64.1	64.3	65.1	66.2	67.7	69.2	70.3	69.2	68.4	66.5	63.7			111.1
	31500	53.3	63.4	59.7	59.4	59.7	61.5	63.1	64.8	65.2	67.6	66.3	65.1	63.7	60.8			108.2
	40000	51.5	61.5	56.2	56.5	56.8	56.9	58.8	59.7	60.9	64.9	61.8	62.3	62.2	60.5			105.6
	50000	51.5	61.0	53.7	54.0	59.2	55.0	56.0	57.2	56.7	66.1	61.6	63.6	64.2	62.0			106.6
	63000	53.4	59.1	53.5	53.7	57.8	55.0	56.5	57.1	54.5	68.4	62.8	65.9	66.2	64.5			109.9
	80000	54.3	61.4	53.5	54.2	59.0	57.1	57.4	57.9	54.5	70.8	65.1	68.1	67.8	65.8			114.9
OVERALL MEASURED		89.5	89.9	90.2	90.3	91.3	91.7	92.9	94.4	95.8	97.0	98.1	100.2	101.6	103.7			137.5
OVERALL CALCULATED		101.2	101.7	101.9	102.0	102.8	103.3	104.5	105.9	107.3	108.5	109.4	110.8	109.8	111.2			

189

ORIGINAL PAGE IS
OF POOR QUALITY

SPL INPUT AT STD REV, ALPHA 12/73	ANGLES FROM INLET IN DEGREES (AND RADIANS)																PWL	
	30. (0.52)	40. (0.70)	50. (0.87)	60. (1.05)	70. (1.22)	80. (1.40)	90. (1.57)	100. (1.75)	110. (1.92)	120. (2.09)	130. (2.27)	140. (2.44)	150. (2.62)	160. (2.79)	0.0. (0.0)	0.0. (0.0)		0.0. (0.0)
NO EGA	50	60,6	61,6	62,4	62,7	63,0	63,3	64,9	66,3	68,4	67,6	67,8	68,5	72,3	71,9	-----	-----	107,8
RDG, NO. 0	63	62,1	63,6	63,4	64,0	64,3	69,6	66,5	67,7	69,9	69,8	71,1	72,1	75,5	75,8	-----	-----	110,6
RADIAL 40 FT. (12 M)	80	63,1	64,4	65,0	65,1	66,0	66,2	67,8	69,1	71,6	71,6	73,0	75,1	78,3	78,9	-----	-----	112,6
VEHICLE JENOTS	100	65,6	66,6	67,6	66,6	67,4	68,6	71,4	73,3	74,7	75,1	76,6	80,0	83,8	84,7	-----	-----	117,2
CONFIG JE-060	125	68,7	67,9	67,9	68,9	69,4	71,4	75,1	74,9	76,2	78,7	79,9	83,1	87,0	87,3	-----	-----	120,1
LOC EVENDALE	160	73,4	70,9	70,4	71,6	72,1	73,9	76,8	77,1	79,9	80,6	81,4	84,1	87,3	88,6	-----	-----	121,5
DATE 05-06-75	200	74,8	74,5	72,3	73,0	74,3	75,5	77,0	77,8	79,3	81,8	83,1	86,1	89,5	92,5	-----	-----	123,6
RUN DBTF-MODEL 3	250	77,0	76,8	76,5	77,0	77,0	77,3	78,3	80,3	85,8	85,0	86,5	86,8	91,4	93,4	-----	-----	125,7
TAPE X30430	315	80,0	78,5	78,0	78,8	80,5	81,9	80,5	84,3	85,0	86,0	87,5	88,6	92,4	96,8	-----	-----	127,7
BAR 29.4 HG (99347 N/M2)	400	76,6	73,7	78,0	77,9	80,1	79,2	81,0	82,6	83,5	84,6	82,8	88,8	92,2	91,8	-----	-----	125,7
TAMB 69, DEG F (294, DEG K)	500	74,3	75,8	77,6	76,0	77,2	78,1	80,2	80,9	82,4	83,4	85,2	90,6	91,8	93,3	-----	-----	126,0
TWET 56, DEG F (286, DEG K)	630	76,1	77,2	78,9	77,7	79,4	78,8	80,8	81,9	83,2	83,2	84,9	89,6	91,6	93,8	-----	-----	126,1
HACT 0, GH/M3 (1, KG/M3)	800	77,2	79,7	78,9	79,5	79,8	79,0	80,6	82,1	83,3	86,0	88,0	89,8	90,7	92,9	-----	-----	126,4
FREQ, SHIFT	1000	78,8	77,6	79,3	78,9	79,5	80,7	81,9	83,1	83,9	85,8	86,4	88,7	89,6	89,2	-----	-----	125,4
JET 0	1250	77,5	77,4	78,1	78,0	79,2	79,4	82,2	82,9	83,4	85,4	86,6	89,5	88,4	85,9	-----	-----	125,1
DIAMETER RATIO	1600	76,8	78,2	78,1	78,5	79,1	80,0	81,5	82,0	83,1	84,5	86,8	87,2	85,6	83,2	-----	-----	124,0
DF/DM 1.00	2000	78,3	76,8	77,3	78,6	79,2	80,1	80,3	81,3	82,5	83,6	85,2	86,8	83,3	81,0	-----	-----	123,1
	2500	77,0	76,8	77,5	76,7	77,8	78,4	79,2	80,9	82,0	82,8	83,7	84,7	81,4	78,5	-----	-----	121,9
	3150	75,0	76,4	76,5	77,2	77,6	77,6	78,3	80,1	80,5	82,8	83,1	83,9	80,3	77,4	-----	-----	121,3
	4000	72,9	75,1	75,7	76,3	76,1	77,3	78,1	79,6	80,3	81,8	82,5	82,0	77,8	75,0	-----	-----	120,4
	5000	73,0	74,7	75,6	75,6	76,2	77,0	77,7	79,2	80,8	81,5	82,4	81,1	77,2	75,1	-----	-----	120,2
	6300	72,2	76,3	76,4	77,3	77,1	77,4	77,8	79,3	80,2	81,1	81,5	80,1	77,0	75,0	-----	-----	120,3
	8000	71,9	76,4	77,2	77,4	77,9	78,0	77,4	79,4	80,7	82,1	81,3	79,1	76,8	76,1	-----	-----	120,7
	10000	70,2	76,1	76,9	76,7	77,6	77,0	77,1	79,4	80,5	81,6	82,3	77,9	76,8	75,0	-----	-----	120,8
	12500	68,5	74,5	76,1	76,3	77,0	76,0	76,5	76,9	78,3	79,9	81,1	76,8	75,2	73,9	-----	-----	119,8
	16000	65,8	72,6	74,1	74,2	74,6	74,4	74,8	76,0	76,5	77,7	78,8	74,4	72,9	71,2	-----	-----	118,2
	20000	62,4	70,4	71,6	71,7	71,7	70,9	71,5	73,0	74,6	75,1	75,1	71,6	70,4	68,7	-----	-----	115,8
	25000	59,1	68,6	69,6	69,2	68,4	67,7	68,8	70,1	71,3	72,9	71,6	68,8	68,9	66,8	-----	-----	113,6
	31500	55,5	64,6	65,3	65,3	64,6	64,4	65,7	66,9	67,8	69,8	68,4	65,5	66,3	63,2	-----	-----	113,8
	40000	53,2	61,2	62,2	62,2	61,5	60,6	61,3	62,7	63,8	66,8	63,8	62,7	63,6	61,9	-----	-----	108,0
	50000	53,5	58,2	59,0	59,0	62,7	57,5	58,7	59,2	59,7	66,8	62,8	64,5	64,1	62,0	-----	-----	108,0
	63000	55,3	56,7	56,6	57,1	58,1	55,4	57,6	58,2	57,2	69,1	63,4	66,6	66,0	64,1	-----	-----	110,5
	80000	56,9	56,5	54,8	55,3	59,3	56,9	58,2	58,2	55,1	71,1	65,1	68,6	68,1	65,8	-----	-----	115,2
OVERALL MEASURED		89,1	89,8	90,5	90,6	91,4	91,8	92,8	94,2	95,6	96,8	97,9	99,9	101,5	103,1	-----	-----	137,3
OVERALL CALCULATED		89,1	89,8	90,5	90,6	91,4	91,8	92,8	94,2	95,6	96,8	97,9	99,9	101,5	103,1	-----	-----	137,3
PNDB		100,8	101,6	102,0	102,4	103,0	103,3	104,2	105,8	107,0	108,4	109,2	110,2	109,5	110,4	-----	-----	

1061

SPL INPUT AT STD REV, ALPHA 12/73	FREQ.	ANGLES FROM INLET IN DEGREES (AND RADIANS)																PHL	
		30, (0.52)	40, (0.70)	50, (0.87)	60, (1.05)	70, (1.22)	80, (1.40)	90, (1.57)	100, (1.75)	110, (1.92)	120, (2.09)	130, (2.27)	140, (2.44)	150, (2.62)	160, (2.79)	(0,0)	(0,0)		(0,0)
NO EGA.	63	62,3	64,1	63,4	63,7	64,8	69,4	65,8	67,2	67,9	69,6	71,6	73,6	77,2	78,3				108,1
RDG, NO, 0.	80	63,6	64,6	66,0	66,1	66,3	66,4	67,8	69,1	70,1	72,4	75,0	78,1	80,8	81,9				111,4
RADIAL 40, FT.	100	68,1	68,1	68,4	67,6	67,9	69,4	71,9	73,6	75,0	76,1	78,6	82,5	86,0	87,4				114,5
(12, M)	125	71,4	69,9	69,4	70,2	70,2	72,7	75,4	75,7	77,7	80,2	81,9	85,3	88,5	89,0				119,2
VEHICLE JENOTS	160	76,9	73,9	72,9	73,6	73,9	75,1	77,8	78,1	80,6	82,1	83,6	86,6	89,8	90,6				121,7
CONFIG JE-060	200	76,8	76,5	74,0	74,8	75,3	75,8	77,5	79,3	81,3	84,0	86,8	90,4	93,0	95,0				123,5
LOC EVENDALE	250	79,5	79,5	78,5	79,3	78,8	79,3	80,3	82,5	88,8	89,0	92,5	93,5	97,2	98,1				126,6
DATE 05-08-75	315	83,3	81,0	80,0	81,3	83,0	84,4	83,3	87,8	88,5	91,5	93,8	95,1	99,4	102,3				130,7
RUN DBTF-MODEL 3	400	82,4	78,2	83,3	84,4	86,6	84,9	88,0	89,6	91,3	92,6	91,8	97,0	99,9	100,1				133,3
TAPE X30460	500	78,6	78,8	79,8	78,8	79,7	80,9	83,7	83,4	86,2	87,4	89,4	96,4	98,8	97,6				133,5
BAR 29.4 HG	630	79,6	79,7	79,9	78,9	80,4	80,8	82,6	84,6	86,7	87,7	91,4	96,1	98,4	100,1				131,2
(99313, N/M2)	800	78,9	81,1	80,6	81,3	81,3	81,0	82,4	85,1	87,0	89,8	92,7	95,3	95,9	98,7				131,8
TAMB 69, DEG F	1000	80,6	79,4	81,3	80,4	80,8	81,7	83,7	85,6	86,9	90,3	92,4	94,2	94,6	93,9				131,0
(294, DEG K)	1250	79,2	79,7	80,9	79,8	80,7	81,7	84,4	85,4	86,7	89,6	92,6	95,0	93,7	90,4				129,8
TKET 56, DEG F	1600	77,8	79,7	79,6	79,5	81,1	82,5	83,5	85,0	86,3	89,2	92,1	92,5	90,4	87,7				129,5
(286, DEG K)	2000	78,3	77,8	78,3	80,4	81,2	81,6	83,0	84,6	85,7	88,6	90,7	91,5	88,1	85,8				129,1
HACT 0, GM/M3	2500	77,3	77,8	78,2	77,4	79,3	79,9	81,7	83,6	85,5	87,8	88,7	89,9	85,6	82,2				127,2
(, KG/M3)	3150	74,8	76,4	77,8	77,7	78,6	79,6	81,0	82,4	84,0	86,8	87,4	87,9	83,5	80,4				125,8
FREQ, SHIFT	4000	73,4	74,9	75,9	76,3	77,1	78,8	80,1	81,9	83,3	85,3	85,8	84,5	79,5	76,2				124,5
JET 0	5000	72,5	74,7	75,1	75,3	76,5	77,3	79,0	81,2	82,8	85,2	84,9	83,1	77,5	75,3				122,9
DIAMETER RATIO	6300	71,9	74,3	75,4	76,1	76,8	77,6	78,3	79,8	81,7	83,6	83,0	80,9	76,5	74,0				122,2
DF/DM 1.00	8000	70,9	74,7	75,2	75,7	76,2	76,3	77,2	79,4	80,7	82,3	81,1	78,9	75,1	73,6				121,1
	10000	69,7	73,1	73,9	73,9	75,4	75,0	76,4	78,4	79,5	80,8	80,0	76,7	73,9	72,2				120,2
	12500	67,0	71,8	72,9	73,3	74,0	74,0	74,8	76,9	77,6	79,4	78,6	74,5	72,7	71,6				119,3
	16000	63,6	69,4	70,4	70,7	71,6	71,4	72,5	75,0	76,0	76,9	75,8	72,6	70,1	68,7				118,1
	20000	59,9	67,2	67,9	68,2	68,7	68,1	69,8	72,3	73,6	74,1	73,6	69,8	67,9	67,2				116,3
	25000	57,4	65,1	65,8	65,9	65,4	64,9	67,3	68,8	70,3	71,4	69,4	67,0	65,9	67,6				114,1
	31500	54,2	61,3	62,3	62,0	61,6	62,2	63,5	66,4	66,8	68,5	66,4	64,5	63,8	66,5				111,6
	40000	52,7	58,9	59,4	58,7	58,8	57,3	59,8	63,2	63,5	66,6	62,8	62,4	62,4	67,9				109,2
	50000	53,5	56,7	57,0	56,8	61,9	55,7	57,2	63,2	61,2	67,8	61,8	64,3	64,6	71,0				107,4
	63000	55,5	55,5	55,1	55,8	57,6	54,9	56,9	64,9	61,7	70,6	63,9	66,6	67,0	73,6				109,1
	80000	57,2	56,8	54,6	55,1	59,1	56,9	58,5	66,4	63,1	72,1	65,4	68,9	68,1	75,1				112,9
OVERALL MEASURED		91,2	91,1	91,8	92,0	93,2	93,6	95,2	97,1	98,9	101,1	102,9	105,5	107,4	108,3				141,8
OVERALL CALCULATED		101,8	102,3	103,1	103,2	104,2	105,0	106,5	108,2	110,0	112,2	113,5	114,9	114,8	114,9				
PNDB																			

191

323

ORIGINAL PAGE IS
OF POOR QUALITY

SPL INPUT AT STD REV, ALPHA 12/73	ANGLES FROM INLET IN DEGREES (AND RADIANS)																		PWL
	30.	40.	50.	60.	70.	80.	90.	100.	110.	120.	130.	140.	150.	160.	(0.0)	(0.0)	(0.0)		
FREQ.	(0.52)	(0.70)	(0.87)	(1.05)	(1.22)	(1.40)	(1.57)	(1.75)	(1.92)	(2.09)	(2.27)	(2.44)	(2.62)	(2.79)	(0.0)	(0.0)	(0.0)		
NO EGA	50	62.6	63.3	64.1	63.9	64.0	64.1	64.9	64.5	66.1	67.1	69.8	72.0	75.3	87.2				114.6
RDG, NO. 0	63	64.3	66.6	64.4	64.7	66.0	70.1	67.3	67.9	68.6	70.8	74.1	76.4	79.7	87.8				116.3
RADIAL 40, FT. (12. M)	80	66.1	66.9	67.3	67.9	68.0	67.7	69.6	70.1	71.6	73.4	77.0	79.9	82.8	89.6				118.5
VEHICLE JENOTS	100	69.9	69.9	70.4	68.9	69.6	70.9	73.9	74.8	76.0	77.4	80.1	83.8	88.0	92.2				121.9
CONFIG JE-060	125	72.4	71.2	70.9	71.7	71.4	73.9	76.6	76.9	78.4	80.7	82.9	86.6	89.5	92.8				123.5
LOC EVENDALE	160	78.4	75.4	75.1	75.1	75.4	76.9	79.6	79.1	82.4	84.1	85.9	88.6	91.3	93.6				125.5
DATE 05-08-75	200	78.8	78.3	75.5	76.8	77.0	78.3	79.8	80.8	83.0	87.0	90.3	93.4	96.0	96.8				129.2
RUN DBTF-MODEL 3	250	81.0	80.5	80.0	79.8	80.3	80.5	81.5	83.5	90.5	91.3	94.5	96.5	99.9	99.4				132.8
TAPE X30490	315	85.5	83.5	82.8	83.5	85.0	86.4	85.5	90.0	91.5	95.5	98.5	99.1	103.4	105.8				137.0
BAR 29.4 HG (99279, N/M2)	400	84.4	80.7	84.3	85.6	87.6	86.4	89.5	91.1	93.3	96.1	96.3	100.8	103.7	102.8				136.7
TAMB 65, DEG F (291, DEG K)	500	84.3	83.6	84.8	83.0	83.4	84.6	88.4	88.4	89.7	91.9	94.9	102.4	104.8	101.1				136.6
TWET 53, DEG F (285, DEG K)	630	89.1	84.7	84.9	83.4	84.7	84.5	87.3	88.9	91.7	93.4	97.4	102.3	103.9	104.1				137.1
HACT 0, GH/M3 (, KG/M3)	800	84.7	84.9	84.6	84.5	85.0	85.0	86.4	89.6	90.8	95.0	97.4	101.0	101.9	105.4				136.7
FREQ, SHIFT	1000	88.8	83.9	85.3	84.6	85.0	85.9	88.2	89.8	91.9	95.6	97.9	99.7	100.6	101.7				135.5
JET 0	1250	84.2	84.4	85.3	84.3	85.5	86.2	88.9	90.4	91.9	95.4	98.6	101.0	100.2	98.7				135.5
DIAMETER RATIO DF/DM 1.00	1600	82.8	84.7	84.1	84.5	85.1	87.0	88.3	90.0	91.6	94.5	97.3	97.2	97.1	96.0				133.5
	2000	83.3	82.6	82.5	84.9	86.0	86.6	87.8	89.6	91.7	94.1	96.2	96.8	95.3	95.3				132.9
	2500	83.0	83.5	83.2	84.7	85.1	85.7	87.4	89.1	91.3	93.8	94.5	95.2	92.9	94.2				131.8
	3150	79.8	81.4	81.5	82.4	83.1	84.1	86.0	87.9	90.0	92.9	92.9	93.4	90.3	89.1				130.1
	4000	77.4	78.9	79.5	80.5	81.6	83.3	85.1	87.4	89.3	91.6	91.3	89.8	86.8	84.7				128.5
	5000	76.2	78.5	78.9	79.3	81.0	82.3	84.3	86.3	88.8	91.0	90.5	88.6	84.3	81.1				127.6
	6300	75.7	78.5	78.7	79.3	80.9	81.9	83.1	85.4	87.8	89.2	88.1	85.7	81.8	78.3				126.2
	8000	75.0	77.5	77.5	78.8	79.8	80.8	82.5	84.9	86.5	88.1	86.4	84.0	80.4	76.9				125.3
	10000	73.3	76.2	76.5	77.0	78.5	79.6	80.8	83.8	85.6	86.7	85.4	80.8	78.0	75.6				124.3
	12500	70.9	73.9	75.0	75.0	76.9	77.9	79.9	81.8	83.7	84.8	83.2	79.4	76.1	73.7				122.8
	15000	68.0	72.0	72.0	72.6	74.5	75.8	77.9	79.6	81.2	81.8	80.7	77.5	73.8	71.6				120.8
	20000	64.5	69.1	69.0	69.3	70.6	72.0	75.4	76.7	79.3	78.8	77.4	74.9	71.5	68.8				118.4
	25000	60.8	67.7	65.7	66.1	67.6	69.3	72.0	73.9	75.2	75.5	74.0	72.9	71.2	68.9				115.7
	31500	56.3	62.6	61.4	61.6	63.5	66.0	68.6	70.0	70.9	72.1	71.0	71.1	70.9	67.3				113.1
	40000	54.5	60.0	57.7	58.3	62.6	62.6	64.8	65.2	66.6	68.9	68.8	70.8	71.2	69.0				111.5
	50000	54.8	59.0	55.5	56.0	64.7	62.5	64.3	63.7	63.2	69.6	70.6	73.8	74.2	71.0				113.9
	63000	36.4	59.6	54.5	55.2	65.8	64.3	65.5	64.6	62.3	71.4	72.3	76.4	75.9	73.7				117.7
	80000	57.6	59.9	54.0	55.0	67.0	66.3	67.7	66.1	63.0	72.8	74.3	78.6	77.8	75.3				122.5
OVERALL MEASURED		95.3	95.0	95.4	95.6	96.6	97.3	99.2	101.1	103.2	105.9	107.9	110.6	112.2	112.7				146.5
OVERALL CALCULATED		106.5	106.9	106.9	107.7	108.5	109.3	111.1	112.9	115.1	117.6	118.7	119.9	120.0	120.2				

192

3
2
1

SPL INPUT AT STD REV, ALPHA 12/73	FREQ.	ANGLES FROM INLET IN DEGREES (AND RADIANS)															PHL		
		30. (0.52)	40. (0.70)	50. (0.87)	60. (1.05)	70. (1.22)	80. (1.40)	90. (1.57)	100. (1.75)	110. (1.92)	120. (2.09)	130. (2.27)	140. (2.44)	150. (2.62)	160. (2.79)	(0.0)		(0.0)	(0.0)
NO EGA	50	64.6	64.8	65.9	65.9	66.2	66.6	67.6	68.5	70.4	70.6	72.5	75.0	78.6	81.2				113.0
RDG. NO. 0	63	66.6	66.8	67.6	67.5	68.0	69.1	69.8	70.4	72.1	73.6	76.1	78.6	81.7	83.8				115.8
RADIAL 40. FT. (12. M)	80	68.4	68.6	70.0	69.9	70.0	70.7	72.1	72.3	74.1	76.1	79.0	82.4	85.3	86.6				118.8
VEHICLE JENOTS	100	72.4	72.4	72.6	71.1	71.1	71.1	72.9	76.4	77.3	78.5	79.9	82.9	90.5	91.9				123.5
CONFIG JE-060	125	74.7	73.2	73.2	73.9	73.7	76.2	78.6	79.2	80.9	82.9	85.4	89.1	92.0	92.5				125.2
LOC EVENDALE	160	81.6	77.6	77.1	77.1	77.9	79.6	81.6	81.9	83.9	85.9	87.6	90.6	93.3	94.3				127.3
DATE 05-08-75	200	80.5	79.3	78.0	78.3	78.5	79.3	81.0	82.0	84.8	87.8	91.3	94.9	97.0	98.3				131.5
RUN DBTF-MODEL 3	250	82.8	82.0	80.8	80.8	81.0	81.8	82.8	84.5	90.8	91.3	94.8	96.8	100.4	100.4				133.4
TAPE X30510	315	85.5	83.5	82.3	83.3	84.8	86.4	85.5	90.0	91.3	94.5	97.3	98.4	102.4	105.0				136.2
BAR 29.4 HG (99279, N/M2)	400	82.6	80.2	84.5	84.1	85.6	84.7	87.3	89.8	91.8	94.8	95.3	100.8	103.2	102.6				136.1
TAMB 69, DEG F (294, DEG K)	500	82.8	82.8	83.6	82.3	82.7	83.6	86.2	87.4	89.7	91.7	94.2	100.9	103.3	99.6				135.2
THET 56, DEG F (286, DEG K)	630	83.6	83.2	83.7	83.7	83.9	83.8	86.6	88.6	91.2	92.9	96.2	101.6	103.4	102.1				136.2
HACT 0, GM/M3 (1, KG/M3)	800	83.2	84.1	83.6	83.8	84.8	84.3	86.4	89.1	90.5	92.0	96.7	100.0	100.4	102.7				135.3
FREQ. SHIFT	1000	84.3	82.1	84.0	83.4	84.3	85.2	87.2	89.3	91.4	94.8	96.7	97.9	98.6	98.2				133.8
JET	1250	82.5	82.4	83.4	83.5	84.5	85.2	87.7	88.7	90.9	94.1	97.6	99.2	96.9	96.2				133.8
DIAMETER RATIO	1600	80.8	82.7	82.6	83.5	84.3	85.5	87.0	89.0	90.8	93.0	96.3	96.2	94.6	93.5				132.2
DF/DM 1.00	2000	81.6	81.1	81.3	83.6	84.7	84.9	86.5	88.3	90.0	92.4	94.7	94.8	92.3	92.5				131.0
	2500	79.3	81.0	82.0	81.4	82.3	83.7	85.2	86.9	90.0	91.3	92.5	92.2	89.1	89.7				129.3
	3150	77.8	80.6	80.8	81.4	82.3	82.6	84.3	86.6	88.0	90.8	90.9	89.9	87.0	86.6				128.0
	4000	75.4	78.4	80.2	80.8	81.3	82.3	83.8	85.9	87.8	89.8	89.3	87.3	82.8	81.5				126.8
	5000	75.5	78.7	80.1	80.1	81.0	82.3	84.0	86.0	88.0	90.0	88.7	85.3	80.7	78.8				126.6
	6300	74.9	80.0	80.9	81.5	81.8	81.9	83.6	85.6	87.5	90.1	88.0	84.6	81.0	78.3				126.6
	8000	74.9	80.2	81.4	82.2	81.9	82.5	82.9	85.4	86.9	89.1	87.3	83.4	80.6	79.1				126.3
	10000	73.4	79.1	81.4	81.4	81.6	81.5	82.6	84.9	86.0	88.1	87.0	82.2	80.1	78.5				126.0
	12500	71.2	78.5	81.4	81.1	80.7	81.0	82.0	83.4	84.6	86.4	85.1	80.5	79.2	77.6				125.0
	16000	68.3	77.1	78.9	78.9	79.4	78.9	80.3	82.0	83.3	84.2	82.3	78.9	77.1	75.0				123.5
	20000	65.6	75.4	76.1	76.7	76.5	75.9	77.8	80.0	81.6	81.4	79.8	75.8	75.1	73.2				121.6
	25000	62.9	73.6	74.6	74.9	73.7	73.4	75.1	77.6	78.8	79.4	76.4	73.8	74.1	72.1				119.7
	31500	59.2	69.5	71.1	71.5	69.6	70.6	72.5	74.4	75.3	76.5	73.7	72.3	72.6	70.2				117.3
	40000	57.5	66.7	67.2	68.2	66.5	66.1	68.3	69.9	71.0	72.6	70.8	71.2	71.6	69.9				114.6
	50000	55.8	63.5	64.5	64.3	64.9	64.5	66.2	67.2	67.7	71.1	71.1	73.8	73.6	71.5				115.0
	63000	57.0	60.7	61.1	61.1	60.6	64.4	65.9	66.7	64.7	71.8	72.6	75.8	76.0	73.8				117.8
	80000	57.7	57.8	57.1	57.1	59.6	66.4	67.0	67.4	63.8	72.8	74.4	77.6	77.4	75.6				122.2
OVERALL MEASURED																			
OVERALL CALCULATED		94.3	94.6	95.3	95.5	96.2	96.7	98.4	100.5	102.6	105.0	107.0	109.6	111.2	111.3				145.6
PND8		104.7	106.0	106.7	107.0	107.8	108.3	110.0	112.1	114.3	116.4	117.8	118.3	118.6	118.6				

161

ORIGINAL PAGE IS
 OF POOR QUALITY

(.)
 :J
 (2)

MODEL SOUND PRESSURE LEVELS (59, DEG F, 70 PERCENT REL. HUM, DAY - JENOTS)

SPL INPUT AT STD REV: ALPHA 12/73	FREQ.	ANGLES FROM INLET IN DEGREES (AND RADIAN)															PHL		
		30	40	50	60	70	80	90	100	110	120	130	140	150	160	0		0	0
NO EGA	50	63.8	61.1	62.1	61.7	62.5	62.8	63.4	64.3	65.4	66.3	67.3	69.5	72.8	75.2				107.8
RUG. NO. 0	63	63.3	64.3	64.6	64.3	64.8	68.6	66.3	67.2	67.6	68.8	70.8	72.9	76.2	78.6				111.0
RADIAL 40. FT.	80	64.6	65.6	66.3	66.4	67.0	67.4	68.3	69.3	70.8	72.1	74.0	76.6	79.3	82.6				114.1
(12. M)	100	66.9	67.6	68.4	67.9	68.4	69.6	72.2	73.3	74.2	76.4	78.1	81.5	85.5	86.7				118.6
VEHICLE JENOTS	125	69.4	68.4	68.7	69.9	70.2	72.9	75.4	76.2	76.9	79.4	81.4	84.6	87.8	90.5				121.7
COMP ID JE-060	160	74.1	71.1	71.1	72.6	73.1	75.4	77.8	77.6	79.9	81.4	82.4	85.4	88.6	90.6				122.7
LUC EVENDALE	200	75.0	75.0	73.5	74.3	75.0	76.5	77.8	78.8	80.5	83.0	83.8	86.9	89.7	93.3				124.3
DATE 15-08-79	250	77.8	77.5	77.8	78.0	78.5	78.8	80.0	81.3	86.8	85.5	87.0	87.5	91.4	93.6				126.2
RUN DBTF-MODEL 4	315	81.0	79.5	79.0	79.8	81.5	82.4	81.3	84.8	85.0	85.5	87.5	88.4	91.7	96.0				127.4
TAPE X40010	400	77.1	74.2	80.0	77.4	79.6	78.9	81.0	82.1	83.0	84.3	83.8	89.0	92.4	91.8				125.8
BAR 29.5 HG	500	75.3	76.1	78.3	76.3	77.4	78.6	82.2	81.4	83.2	83.7	85.2	91.4	92.1	91.6				126.1
(99.48. N/M2)	630	76.6	77.9	79.4	78.2	79.4	79.3	81.6	82.4	83.7	83.7	85.9	89.3	91.4	92.8				126.0
TAMB 61. DEG F	800	77.4	78.6	79.1	79.0	79.8	79.5	80.6	82.6	84.0	86.3	87.9	89.5	90.2	92.4				126.2
(289. DEG K)	1000	78.1	77.4	79.3	78.6	80.5	81.4	82.2	83.3	83.9	86.6	86.9	89.2	89.3	87.4				125.5
YMET 52. DEG F	1250	77.5	77.9	79.6	78.8	80.0	80.2	82.4	83.4	83.2	85.9	86.8	88.5	87.7	84.4				124.9
(284. DEG K)	1600	76.5	78.7	78.4	78.7	79.8	80.7	81.5	82.7	83.1	85.0	86.6	87.7	84.9	81.7				124.1
HACT 1. GM/H3	2000	78.3	77.6	78.0	79.4	80.5	80.3	81.5	82.3	83.0	83.9	85.6	86.5	83.3	79.8				123.5
(1. KG/H3)	2500	77.5	78.5	78.7	77.4	78.6	79.6	80.7	82.1	83.3	84.1	84.5	84.9	81.4	78.5				122.8
FREQ. SHIFT	3150	76.8	78.9	79.2	79.9	80.6	81.3	82.0	83.1	82.8	84.8	85.1	84.3	80.5	77.8				123.4
JET 0	4000	75.4	78.4	78.4	79.5	80.3	82.0	83.1	84.1	84.2	85.1	84.5	82.2	78.7	76.7				123.7
DIAMETER RATIO	5000	74.7	76.9	77.8	78.3	79.2	80.5	81.5	82.5	82.8	83.9	83.6	81.6	77.9	76.3				122.5
DF/DH 1.00	6300	73.9	77.2	78.7	79.0	78.5	79.1	79.3	81.0	81.2	82.3	81.8	80.1	77.5	75.3				121.4
	8000	74.6	80.4	81.7	79.9	78.9	79.2	78.1	80.6	80.9	82.3	81.5	79.1	77.8	77.0				121.8
	10000	73.1	77.6	79.1	78.9	79.1	78.0	77.6	79.6	80.5	82.5	80.7	77.6	76.5	75.9				121.5
	12500	71.9	76.9	80.1	79.3	78.9	77.7	76.9	78.3	79.2	81.6	81.0	77.7	76.1	75.5				121.2
	16000	70.5	76.1	77.6	76.6	76.8	75.0	74.9	76.4	77.2	79.6	80.0	75.0	73.4					119.7
	20000	67.3	74.6	74.5	74.3	73.8	71.8	71.9	73.4	75.0	76.5	76.7	72.9	72.8	71.3				117.4
	25000	64.7	72.4	73.4	72.8	70.6	68.8	68.4	70.2	71.7	74.0	73.0	71.1	71.0	69.4				115.3
	31500	60.8	69.6	67.9	68.6	66.7	66.0	65.6	67.0	68.2	71.1	70.0	67.6	68.7	65.8				112.6
	40000	58.3	66.3	67.0	65.6	63.9	60.7	61.1	62.8	64.6	67.2	65.1	64.5	64.7	63.0				109.7
	50000	56.6	62.8	63.3	62.3	60.5	57.6	58.6	59.8	60.3	67.7	62.9	65.4	64.7	63.1				108.9
	63000	56.6	59.3	59.9	59.4	58.9	55.7	57.4	58.0	56.7	69.9	63.4	67.1	66.1	63.9				111.1
	80000	57.0	56.1	56.4	56.2	59.2	56.8	58.3	57.8	54.7	71.4	64.8	68.8	67.8	65.9				115.2
OVERALL MEASURED		89.8	91.1	92.2	91.9	92.6	93.0	94.0	95.3	96.3	97.6	98.4	100.1	101.5	102.9				137.8
OVERALL CALCULATED		101.7	103.3	104.0	104.1	104.9	105.8	106.9	108.0	108.0	109.8	110.2	110.6	109.6	110.2				

195

401

ORIGINAL PAGE IS
OF POOR QUALITY

SPL INPUT AT STD REV: ALPHA 12/73	FREQ.	ANGLES FROM INLET IN DEGREES (AND RADIANS)															PWL		
		30. (0.52)	40. (0.70)	50. (0.87)	60. (1.05)	70. (1.22)	80. (1.40)	90. (1.57)	100. (1.75)	110. (1.92)	120. (2.09)	130. (2.27)	140. (2.44)	150. (2.62)	160. (2.79)	0. (0.)		0. (0.)	0. (0.)
NO EGA	50	62.8	63.1	63.1	63.2	64.5	64.6	66.1	67.3	68.4	68.3	70.0	73.0	76.6	78.9				110.9
RUG. NO. 0	63	65.8	66.1	66.6	66.5	67.3	69.6	69.0	69.7	70.4	71.8	73.1	75.9	80.2	82.3				114.2
RADIAL 40. FT.	80	67.1	68.1	69.0	68.4	69.3	69.7	71.3	71.6	72.8	74.6	76.7	80.1	83.3	87.4				117.8
(12. M)	100	70.1	70.5	71.1	70.6	71.4	72.4	75.4	77.1	77.7	79.1	81.1	85.0	89.3	90.7				122.2
VEHICLE JENOTS	125	72.9	72.2	71.9	72.4	72.9	75.2	78.4	78.7	79.9	82.7	84.2	87.8	91.8	93.5				124.9
CONFID JE-060	160	77.4	74.6	74.6	75.6	76.1	78.1	80.8	80.9	83.4	84.9	85.6	88.9	92.8	94.1				126.3
LOC EVENDALE	200	77.8	77.5	76.3	76.8	77.8	79.3	80.5	81.8	83.5	85.8	86.8	89.9	92.5	97.0				127.5
DATE 15-08-75	250	80.5	79.8	80.0	80.0	80.5	80.8	81.0	82.8	88.5	87.5	88.5	89.5	94.2	96.1				128.4
RUN DBTF-MODEL 4	315	82.3	80.5	80.0	81.3	82.5	83.7	81.8	86.3	85.5	87.0	89.0	89.6	94.4	98.0				129.1
TAPE X40030	400	78.1	76.4	81.5	79.1	81.1	80.9	82.0	83.6	85.3	87.0	86.5	92.0	95.4	93.6				129.3
BAR 29.5 HG	500	77.3	78.6	80.6	79.0	80.2	81.4	83.9	84.7	86.2	87.4	89.2	94.6	95.1	93.8				129.1
(99448, N/M2)	630	78.1	79.9	81.2	79.4	81.4	81.5	84.1	85.6	86.7	86.4	89.2	92.8	93.4	93.3				128.3
TAMB 65, DEG F	800	79.4	81.1	80.6	81.5	82.0	82.0	83.9	86.1	87.0	89.8	91.4	93.0	92.2	93.4				129.0
(291, DEG K)	1000	80.6	79.4	81.8	81.9	83.3	83.7	85.2	86.1	87.1	89.8	89.9	92.4	90.8	87.9				128.3
TWET 54, DEG F	1250	80.0	80.7	82.3	82.0	83.0	83.2	85.1	86.4	86.7	88.9	90.8	91.5	89.7	85.9				127.9
(285, DEG K)	1600	79.5	82.0	82.6	82.5	83.1	84.7	85.5	87.0	87.1	88.7	89.8	90.7	87.6	84.2				127.7
HACT 1. GH/M3	2000	81.8	81.6	81.8	83.6	84.7	85.3	85.8	86.8	87.7	88.9	89.6	90.0	86.1	83.3				127.7
(1 KG/M3)	2500	81.0	82.5	82.5	82.4	83.8	84.7	86.2	87.9	88.3	89.6	89.0	88.9	84.9	82.7				127.7
FREQ. SHIFT	3150	80.5	83.4	83.7	84.7	85.3	86.1	87.0	88.6	88.5	90.6	89.1	88.1	85.3	83.3				128.4
JET 0	4000	80.4	84.1	84.4	85.5	87.1	88.0	89.1	90.4	90.7	91.6	89.0	87.2	84.2	82.4				129.7
DIAMETER RATIO	5000	80.4	84.0	85.1	86.0	87.2	88.5	89.2	90.0	91.0	92.7	89.2	86.8	84.2	82.5				130.0
DE/DH 1.00	6300	79.2	83.2	84.4	85.3	86.6	87.6	88.1	89.3	89.7	91.6	88.3	86.1	83.3	81.0				129.2
	8000	79.4	82.4	84.4	84.2	85.4	85.7	86.1	88.6	89.2	90.1	87.1	84.6	82.5	81.5				128.3
	10000	77.1	82.1	84.1	84.9	84.9	84.8	85.6	87.9	89.5	89.8	85.3	82.6	81.3	80.9				128.2
	12500	76.7	83.2	85.3	84.8	85.0	84.2	84.5	87.1	88.3	89.1	84.8	82.2	81.2	80.3				128.0
	16000	75.3	82.6	83.6	83.4	83.6	82.6	83.0	85.5	87.2	87.4	84.0	81.3	80.3	79.7				127.0
	20000	74.1	81.6	82.3	82.4	81.1	79.6	80.7	83.2	85.1	85.1	81.8	79.8	80.1	78.9				125.5
	25000	71.3	80.0	80.8	80.6	78.9	77.1	78.3	80.8	82.5	82.3	78.8	77.9	78.3	77.5				123.7
	31500	67.4	76.2	77.0	77.5	75.0	74.6	75.9	78.3	78.5	79.2	76.9	75.0	75.8	74.2				121.2
	40000	64.1	72.6	73.8	74.1	72.7	70.5	72.2	74.1	75.0	74.8	72.0	70.9	71.8	70.6				118.1
	50000	60.7	68.1	70.1	70.2	69.3	67.6	69.2	70.9	71.1	72.5	68.3	69.0	68.8	66.9				115.9
	63000	58.4	63.6	65.0	66.0	67.8	65.3	67.0	68.3	68.3	72.4	65.8	67.7	67.2	65.5				115.6
	80000	57.8	58.2	59.2	60.3	67.8	65.8	67.7	68.1	64.8	73.3	65.3	68.8	67.8	66.0				118.4
OVERALL MEASURED																			
OVERALL CALCULATED		92.9	95.2	96.3	96.5	97.3	97.9	98.8	100.4	101.4	102.7	102.0	103.5	104.4	105.3				142.0
PNDB		105.2	107.6	108.3	108.9	110.2	111.0	112.1	113.5	114.2	115.5	114.2	114.3	113.2	113.1				

196

402

SPL INPUT AT STD	30.	40.	50.	60.	70.	80.	90.	100.	110.	120.	130.	140.	150.	160.	0.	0.	0.	PWL
REV: ALPHA 12/73	FREQ. (0.52)	(0.70)	(0.87)	(1.05)	(1.22)	(1.40)	(1.57)	(1.75)	(1.92)	(2.09)	(2.27)	(2.44)	(2.62)	(2.79)	(0.0)	(0.0)	(0.0)	
NO EGA	50	66.8	67.3	67.1	66.7	67.7	68.1	69.1	70.5	71.1	72.1	73.5	76.5	80.6	83.4			114.8
RUG. NO. 0	63	68.8	69.6	70.4	70.0	70.8	72.1	72.3	72.9	73.6	75.6	77.8	80.6	84.7	87.6			118.6
RADIAL 40. FT.	80	71.1	72.4	72.8	72.6	72.8	72.7	74.6	75.3	76.3	78.4	81.0	84.6	87.3	91.6			121.9
(12. M)	100	73.9	74.4	75.4	74.4	74.4	74.4	75.6	78.4	80.1	81.5	82.9	84.6	89.0	94.9			126.1
VEHICLE JENOTS	125	76.7	75.9	75.4	76.4	76.4	78.9	81.6	82.4	83.4	86.2	88.4	91.8	95.3	97.3			128.7
CONFIG JE-060	160	80.6	77.6	77.9	78.6	79.6	81.9	84.8	84.4	87.1	89.1	89.9	92.9	96.6	98.6			130.3
LUC EVENDALE	200	81.3	80.0	79.5	80.0	81.0	82.8	84.0	85.5	87.5	90.0	91.1	94.4	97.0	102.3			132.1
DATE 05-08-75	250	83.3	82.3	82.5	82.8	83.0	83.8	85.0	86.0	91.0	90.3	92.8	94.5	98.4	98.9			132.0
RUN CBTF-MODEL 4	315	84.5	82.5	82.8	84.3	85.5	85.9	85.3	88.8	88.3	90.3	93.0	94.1	98.4	100.8			132.5
TAPE X40050	400	81.4	79.2	83.0	82.4	84.4	84.2	86.0	87.8	89.3	92.1	91.0	96.8	99.4	96.6			132.3
BAR 29.5 HG	500	81.6	82.3	84.1	83.3	84.2	85.4	88.4	89.2	90.4	91.4	93.9	99.1	98.8	96.3			133.2
(99.48, N/M2)	630	82.1	83.9	84.4	83.2	85.2	85.3	88.3	89.9	91.7	91.9	94.7	97.6	97.9	95.1			132.8
TAMB 65, DEG F	800	82.9	84.4	84.9	85.0	86.3	86.3	88.4	90.6	92.0	94.5	95.9	97.3	96.7	95.2			133.2
(291, DEG K)	1000	84.3	83.9	86.0	85.4	87.0	87.7	89.2	90.8	92.4	94.8	95.7	96.2	94.3	91.4			132.8
THEI 54, DEG F	1250	84.2	84.7	85.8	86.3	86.7	87.7	90.1	91.4	91.9	94.6	96.8	96.2	92.9	89.4			132.9
(285, DEG K)	1600	83.5	85.7	85.4	86.2	87.3	88.7	90.0	91.5	92.3	94.5	95.3	95.0	92.1	88.7			132.4
HACT 1, GH/H3	2000	85.1	83.3	85.3	87.4	88.7	89.3	90.5	91.8	93.5	94.6	95.1	95.0	91.6	89.3			132.8
(1, KG/H3)	2500	84.8	86.5	86.5	86.2	88.1	89.4	90.7	92.4	94.3	95.3	94.2	94.2	90.9	88.0			132.8
FREQ. SHIFT	3150	84.5	87.4	87.0	88.4	89.6	90.3	91.7	93.3	94.5	96.8	94.9	94.1	91.5	88.3			133.7
JET 0	4000	84.6	87.1	87.7	88.8	91.1	92.3	93.8	95.4	96.2	97.3	94.2	93.0	90.7	88.4			134.7
DIAMETER RATIO	5000	85.7	88.2	88.8	90.3	92.7	93.3	94.7	96.0	97.8	98.2	94.2	93.3	90.4	88.8			135.7
DE/DH 1.00	6300	85.4	88.5	89.2	91.0	92.8	93.1	94.1	96.1	97.5	98.3	93.8	92.6	90.3	88.3			135.7
	8000	84.6	87.7	89.2	90.4	92.2	92.7	93.4	95.8	97.4	97.6	93.1	91.4	89.5	87.3			135.4
	10000	84.1	88.3	88.8	90.1	91.4	92.3	93.1	95.9	97.3	96.3	92.3	90.1	89.1	88.2			135.3
	12500	83.9	89.2	90.8	90.3	91.0	91.2	92.5	94.8	95.8	94.9	91.0	89.5	89.9	89.1			134.8
	16000	82.1	88.1	90.4	89.2	89.6	89.8	91.2	93.5	94.0	92.6	88.8	87.0	87.8	86.2			133.6
	20000	78.8	84.6	85.8	86.4	86.1	87.1	88.7	91.0	91.6	90.1	87.0	84.5	84.1	82.1			131.3
	25000	77.1	82.3	84.0	84.6	84.6	85.9	87.0	88.3	88.8	87.1	83.3	81.9	81.8	80.3			129.5
	31500	74.4	78.7	80.8	81.5	82.3	83.8	84.9	85.8	85.5	84.4	81.4	79.2	78.5	76.7			127.4
	40000	70.9	75.8	77.8	78.9	79.2	80.0	81.2	82.6	82.0	81.5	77.7	75.6	75.8	73.6			124.9
	50000	67.4	72.4	74.4	74.9	75.6	76.4	77.9	79.6	79.1	80.0	75.9	74.7	73.8	72.4			123.1
	63000	63.2	68.6	70.3	71.5	71.3	71.8	73.5	75.8	75.6	80.4	74.5	74.7	74.7	73.0			122.7
	80000	57.6	64.7	65.7	67.0	67.8	68.1	70.2	71.9	70.3	82.0	75.1	75.6	76.3	74.0			125.2
OVERALL MEASURED																		
OVERALL CALCULATED		97.2	99.5	100.4	101.8	102.4	103.1	104.4	106.3	107.6	108.3	107.3	108.3	108.7	109.0			147.3
PND8		109.5	111.4	111.9	112.9	114.8	115.8	117.0	118.6	120.0	121.0	119.6	119.7	118.5	117.0			

197

ORIGINAL PAGE IS
 OF POOR QUALITY

403

SPL INPUT AT STD REV: ALPHA 12/73	FREQ.	ANGLES FROM INLET IN DEGREES (AND RADIANS)																		PHL
		30.	40.	50.	60.	70.	80.	90.	100.	110.	120.	130.	140.	150.	160.	0.	0.	0.		
NO EGA	50	70.3	60.8	61.6	61.4	62.2	62.8	63.6	64.3	65.6	66.8	69.0	72.0	75.3	76.2				109.4	
	63	72.8	65.8	64.9	64.5	65.3	66.9	66.8	67.7	69.1	70.1	73.1	76.1	79.2	80.3				113.2	
RUG: NO. 0	80	75.6	66.9	67.8	67.1	66.8	67.2	69.1	69.8	71.1	72.9	75.5	79.4	82.0	83.9				116.0	
RADIAL 40. FT. (12. M)	100	78.6	69.4	70.1	68.6	68.9	70.1	72.9	75.1	76.5	77.6	79.9	84.0	87.8	89.4				121.0	
	125	81.7	70.9	70.7	70.9	70.7	73.7	76.4	76.7	78.4	80.9	83.2	87.3	90.3	91.3				123.6	
VEHICLE JENOTS	160	86.6	73.1	73.1	74.4	73.9	76.1	78.3	78.9	81.6	83.1	84.6	88.4	91.3	92.6				125.2	
CONFIG JE-060	200	87.0	76.3	74.3	75.0	75.8	77.0	78.8	79.5	82.0	84.3	86.1	90.1	92.7	94.8				126.7	
LOC EVENDALE	250	89.5	79.0	78.5	79.0	78.5	79.3	80.3	82.0	88.5	88.5	89.5	91.5	95.4	96.9				129.4	
DATE 15-08-75	315	92.8	81.0	80.0	81.0	82.8	83.7	82.0	86.8	87.0	89.5	90.3	91.9	95.9	99.5				130.9	
RUN DBTF-MODEL 4	400	89.4	75.7	80.0	79.9	81.4	80.9	82.8	84.8	86.3	88.6	87.3	93.3	96.9	96.1				129.9	
TAPE X40060	500	86.6	77.3	79.3	77.0	78.7	79.4	81.4	82.7	85.2	89.9	87.9	94.4	95.8	94.6				129.0	
BAR 29.4 HG	630	87.1	78.7	79.4	77.7	79.7	78.8	81.6	83.1	85.2	86.2	88.7	92.8	94.6	95.8				128.7	
(99144, N/M2)	800	87.4	79.9	79.1	79.0	79.5	79.8	81.1	84.1	85.8	88.8	90.9	92.8	93.2	94.7				128.8	
TANS 64. DEG F	1000	88.8	77.4	79.5	78.9	80.3	81.2	82.9	83.6	85.4	87.8	89.4	91.4	91.1	90.2				127.5	
(291, DEG K)	1250	87.0	77.7	78.6	79.0	79.7	80.7	83.1	83.9	85.2	87.1	89.3	92.2	89.7	86.7				127.1	
TWET 55. DEG F	1600	86.5	79.2	78.6	79.0	79.8	81.2	82.5	83.5	84.3	86.7	88.8	89.7	87.1	83.2				125.9	
(286, DEG K)	2000	87.6	77.8	78.0	79.4	80.5	80.8	81.8	83.1	84.5	85.6	87.6	88.5	84.8	81.8				125.2	
HACT 0. GM/M3	2500	87.3	78.5	79.0	77.4	79.1	80.1	81.2	83.1	84.8	85.8	86.2	86.9	82.6	79.7				124.6	
(, KG/M3)	3150	86.8	79.1	79.5	79.7	80.5	81.3	83.0	84.1	84.5	86.6	86.6	85.8	81.8	82.8				125.0	
FREQ. SHIFT	4000	86.6	79.3	79.6	80.7	81.3	83.5	84.3	85.6	85.4	86.8	85.4	83.4	79.7	78.9				125.3	
JET 0	5000	87.4	78.7	79.9	79.3	80.7	82.0	83.4	85.2	85.2	86.6	85.1	83.0	79.4	79.0				125.0	
DIAMETER RATIO	6300	84.4	77.9	78.6	79.0	79.7	80.1	81.0	82.2	82.9	85.2	83.2	81.3	78.4	76.2				123.2	
DE/DH 1.00	8000	84.0	79.3	80.3	79.3	78.8	79.1	78.8	80.7	81.5	83.4	81.9	79.8	77.7	77.7				122.5	
	10000	83.2	78.7	79.7	80.2	79.9	78.6	77.9	80.0	81.6	83.9	80.9	78.7	77.4	77.0				122.6	
	12500	81.7	77.8	79.9	79.4	79.5	77.2	77.8	79.1	80.1	81.7	80.1	77.8	76.7	76.6				121.8	
	16000	80.6	76.6	78.1	77.7	77.6	75.8	76.0	77.2	78.5	80.6	79.5	76.8	75.8	74.7				120.8	
	20000	77.3	74.9	75.8	75.9	74.9	72.6	73.4	75.0	76.8	78.3	77.5	74.5	74.1	72.8				119.0	
	25000	75.3	73.5	74.2	74.1	72.1	70.4	70.8	72.3	74.3	75.6	74.8	72.4	73.0	71.7				117.3	
	31500	71.4	70.0	70.8	70.5	68.8	66.8	67.9	69.6	70.2	72.7	71.9	70.7	71.3	69.2				114.7	
	40000	68.7	67.4	67.6	67.4	65.7	63.0	64.2	64.9	66.3	68.8	69.3	69.7	70.6	68.6				112.6	
	50000	66.3	64.5	65.2	64.0	63.7	62.2	64.3	63.7	63.2	68.6	70.4	72.3	72.4	70.3				113.5	
	63000	66.6	64.0	63.4	63.7	64.7	64.2	65.9	65.5	63.2	70.6	72.9	74.6	75.1	72.9				117.3	
	80000	67.6	64.2	63.7	63.2	66.2	65.6	68.1	67.3	63.7	73.0	74.8	76.6	77.1	74.8				122.2	
OVERALL MEASURED																				
OVERALL CALCULATED		100.7	91.9	92.5	92.4	93.2	93.7	94.9	96.5	98.0	99.8	100.7	103.2	104.8	105.7				140.4	
PND8		112.2	103.9	104.4	104.7	105.5	106.8	107.8	109.3	110.1	111.7	112.0	112.8	112.7	113.0					

186

SPL INPUT AT STD REV: ALPHA 12/73	FREQ.	ANGLES FROM INLET IN DEGREES (AND RADIANS)																PWL	
		30.	40.	50.	60.	70.	80.	90.	100.	110.	120.	130.	140.	150.	160.	0.	0.		0.
	(0.52)	(0.70)	(0.87)	(1.05)	(1.22)	(1.40)	(1.57)	(1.75)	(1.92)	(2.09)	(2.27)	(2.44)	(2.62)	(2.79)	(0.)	(0.)	(0.)		
NO EGA	50	64.1	64.6	64.6	64.4	65.5	66.1	66.9	68.0	69.1	70.1	72.3	75.0	79.1	79.7				112.5
RUG: NO, 0	63	67.1	68.1	68.4	67.7	69.0	72.1	69.8	71.7	72.4	74.1	76.1	79.1	83.0	83.8				116.5
RADIAL 40. FT.	80	69.1	70.1	71.3	69.9	70.0	70.2	72.3	73.1	74.6	76.6	79.2	82.6	85.8	87.1				119.3
(12. M)	100	72.4	72.9	73.1	72.4	71.9	73.6	76.7	78.1	79.2	80.4	83.1	87.0	91.3	92.4				124.1
VEHICLE JENOTS	125	75.7	74.7	74.2	74.7	74.4	77.2	80.1	80.7	81.7	84.2	86.4	90.1	93.5	94.3				126.6
CONFIG JE-060	160	79.6	76.6	76.9	77.4	77.6	79.9	82.6	82.9	84.9	86.6	88.4	91.1	94.8	95.8				128.3
LUC EVENDALE	200	79.8	79.3	77.3	78.3	79.0	80.0	81.8	83.3	85.0	87.5	89.8	93.1	96.5	98.5				130.0
DATE 05-08-75	250	82.3	81.0	80.8	81.0	81.0	81.5	83.0	84.3	86.3	89.8	91.8	93.8	98.2	99.6				131.6
RUN DBTF-MODEL 4	315	84.0	82.3	81.5	82.3	83.5	84.9	83.5	87.8	87.5	89.8	92.0	93.4	98.9	101.5				132.4
TAPE X40080	400	79.9	77.4	81.0	80.4	82.9	82.4	84.0	86.1	83.3	90.3	89.3	95.3	98.7	97.3				131.3
BAR 29.3 HG	500	79.8	80.3	82.1	80.5	81.4	82.9	84.9	86.7	88.4	89.7	91.4	97.1	98.8	96.3				131.8
(99111, N/M2)	630	80.6	81.2	82.2	80.4	81.9	82.5	85.1	86.9	88.2	88.9	91.7	95.6	97.4	95.8				131.0
TAMP 69, DEG F	800	80.2	82.9	81.9	82.3	83.5	83.3	84.9	88.4	88.8	91.8	93.7	95.0	95.2	94.9				131.0
(294, DEG K)	1000	81.1	80.4	82.0	82.2	83.8	84.9	85.9	87.3	89.1	91.6	92.2	93.4	92.1	90.2				129.7
THEI 55, DEG F	1250	81.0	81.2	83.1	82.8	84.0	83.9	86.2	87.2	88.4	90.6	92.8	93.7	90.7	87.2				129.5
(286, DEG K)	1600	79.5	83.0	83.1	82.7	84.1	85.5	87.3	88.2	88.6	90.0	91.8	91.7	89.1	85.5				129.0
HACT 0, GM/M3	2000	81.3	81.6	81.8	84.2	85.2	86.6	88.6	88.6	89.2	90.1	91.4	91.0	87.8	84.8				129.0
(KG/M3)	2500	81.3	83.1	83.0	83.2	85.1	85.7	87.7	88.9	90.0	90.8	90.5	90.2	86.4	84.2				129.0
FREQ. SHIFT	3150	80.3	83.4	84.3	85.0	86.6	87.1	88.8	89.9	90.1	92.4	90.9	89.4	86.8	86.1				129.9
JET 0	4000	80.7	84.9	85.0	86.3	88.1	89.6	90.6	91.7	92.3	93.4	89.8	88.5	86.0	84.5				131.1
DIAMETER RATIO	5000	80.7	84.8	85.6	87.1	88.8	90.3	91.5	92.3	93.3	95.0	90.0	88.4	85.5	84.1				132.0
DE/DH 1.00	6300	79.0	84.1	84.8	86.3	88.1	89.7	90.2	91.1	92.3	94.4	89.1	87.4	84.6	83.1				131.3
	8000	78.0	83.5	85.1	85.8	87.5	87.8	88.3	90.4	91.5	93.2	88.2	86.0	83.7	83.2				130.4
	10000	77.0	83.7	85.3	85.8	86.5	86.7	86.8	90.1	92.2	91.9	87.2	84.8	83.2	82.3				130.2
	12500	77.1	86.4	87.8	86.7	86.9	85.9	86.4	89.3	91.0	91.3	86.5	83.9	83.1	82.8				130.2
	16000	75.8	85.1	85.8	85.1	85.6	84.8	85.2	87.9	89.5	89.9	85.5	83.1	83.8	83.4				129.3
	20000	74.1	83.9	84.3	83.9	83.4	81.6	82.9	85.2	87.8	87.3	83.5	82.0	83.6	82.1				127.8
	25000	71.8	81.8	83.0	82.1	80.4	80.4	81.0	83.0	85.0	84.8	80.8	80.0	81.1	80.3				126.0
	31500	67.9	77.5	78.5	78.2	77.3	77.6	78.7	81.3	81.5	82.2	78.9	77.0	77.8	76.4				123.6
	40000	65.4	73.8	75.1	75.1	74.7	73.7	75.4	77.3	78.7	79.0	74.9	73.8	74.5	73.5				121.0
	50000	64.1	70.3	71.3	71.9	71.3	71.1	72.8	76.0	75.8	78.7	73.7	75.2	75.3	73.1				120.4
	63000	65.0	67.5	68.1	69.1	68.1	68.1	70.4	76.2	74.1	79.3	74.1	76.6	76.5	74.3				122.0
	80000	66.2	65.3	64.8	65.6	67.1	66.9	69.2	77.2	74.1	81.6	75.4	78.4	78.1	76.1				126.3
OVERALL MEASURED																			144.3
OVERALL CALCULATED		93.8	96.6	97.4	97.6	98.7	99.4	100.5	102.2	103.5	104.9	104.1	105.8	107.6	107.8				
PND8		105.7	108.5	109.0	109.8	111.4	112.5	113.7	115.0	116.0	117.6	116.0	116.1	115.7	115.6				

ORIGINAL PAGE IS
OF POOR QUALITY

199

405

SPL INPUT AT STD REV: ALPHA 12/73	ANGLES FROM INLET IN DEGREES (AND RADIANS)																PWL	
	30.	40.	50.	60.	70.	80.	90.	100.	110.	120.	130.	140.	150.	160.	0.	0.		0.
FREQ. (0.52)	(0.70)	(0.87)	(1.05)	(1.22)	(1.40)	(1.57)	(1.75)	(1.92)	(2.09)	(2.27)	(2.44)	(2.62)	(2.79)	(0.)	(0.)	(0.)	(0.)	
NO EGA	50	67.8	67.6	68.4	68.4	68.7	69.1	70.6	71.5	72.6	73.6	76.0	78.8	82.8	83.7			116.3
RUG. NO. 0	63	70.8	71.8	71.6	72.0	72.3	72.4	74.3	74.9	75.4	76.8	79.6	82.6	86.7	87.3			119.9
RADIAL 40. FT. (12. M)	80	73.6	74.1	74.5	74.1	74.0	73.9	75.8	77.1	78.1	79.9	83.2	86.6	89.8	91.1			123.2
VEHICLE JENOTS	100	76.9	76.6	77.4	76.4	76.4	77.6	80.7	81.6	83.5	84.6	87.1	91.0	95.3	96.4			128.1
CONFIG JE-060	125	79.2	77.9	78.2	78.7	78.2	80.7	83.9	84.7	85.7	88.7	89.9	94.1	97.0	98.0			130.4
LUC EVENDALE	160	83.4	83.9	81.4	81.4	81.4	83.6	86.3	86.6	89.1	90.6	91.9	94.6	97.8	98.8			131.7
DATE 5-08-75	200	83.8	82.5	81.3	81.3	82.5	84.3	85.5	86.8	88.8	91.5	93.1	96.4	99.7	101.8			133.3
RUN DBTF-MODEL 4	250	85.3	84.8	84.3	84.0	84.3	85.3	86.0	87.0	93.3	92.8	95.0	97.0	102.2	101.9			134.8
TAPE X40100	315	86.5	84.5	84.5	85.3	87.0	87.7	86.3	90.3	90.3	92.8	95.8	97.6	102.4	104.5			135.7
BAR 29.3 HG	400	83.4	81.7	84.0	83.9	85.6	86.2	87.5	89.6	91.0	94.8	93.8	99.0	103.2	100.3			135.3
(99.43, N/M2)	500	83.3	84.1	86.1	84.3	85.7	87.1	88.9	90.2	92.2	93.4	95.9	100.6	101.8	98.6			135.2
TAHS 69. DEG F	630	84.3	85.7	86.2	84.7	86.7	86.3	89.1	91.1	92.9	93.7	96.9	99.6	100.9	98.1			134.9
(294. DEG K)	800	83.9	86.7	86.1	86.8	87.8	87.5	89.6	92.1	93.5	96.5	98.0	99.5	98.4	97.7			135.1
TMET 55. DEG F	1000	85.3	84.9	87.3	86.4	87.8	88.7	90.4	91.8	93.6	96.6	98.2	97.4	96.1	93.2			134.4
(286. DEG K)	1250	84.7	86.4	87.1	87.3	87.7	88.9	90.7	92.2	93.7	96.4	98.6	98.5	94.2	91.4			134.5
HACT 4. GH/M3	1600	84.3	87.2	86.6	87.2	88.3	89.7	91.5	93.0	94.1	96.3	97.3	97.0	93.1	90.2			134.1
(1. KG/M3)	2000	86.3	86.3	86.3	88.2	89.5	90.4	91.3	92.8	94.8	96.6	97.2	96.8	93.8	91.0			134.3
FREQ. SHIFT	2500	85.3	87.3	87.8	87.2	88.9	89.9	91.7	93.6	95.5	96.6	96.0	95.9	92.9	90.2			134.2
JET 0	3150	85.3	87.7	88.0	89.0	90.3	90.8	92.8	94.6	95.8	98.1	95.9	95.9	92.8	91.6			135.0
DIAMETER RATIO	4000	84.2	88.2	88.2	89.3	91.4	92.8	93.9	95.7	97.5	98.9	95.8	94.5	92.0	90.3			135.7
DE/DUM 1.00	5000	85.0	88.8	89.1	90.8	92.5	93.8	95.0	96.8	99.3	99.7	96.2	95.1	92.5	90.3			136.9
	6300	84.5	89.1	90.3	91.8	93.6	94.2	95.7	97.4	99.0	99.4	95.4	94.9	92.9	89.8			137.1
	8000	84.5	89.0	90.3	91.8	93.8	94.6	94.8	97.7	99.3	99.2	94.9	93.5	91.9	90.4			137.2
	10000	83.5	90.0	91.0	92.1	93.3	93.2	94.0	97.6	99.2	97.4	94.2	92.0	91.2	90.6			136.9
	12500	82.4	88.9	91.3	93.0	92.6	91.9	93.7	96.3	97.7	96.8	92.5	90.4	89.9	89.8			136.3
	16000	79.5	86.3	88.6	90.4	91.1	91.1	92.2	94.4	95.2	94.1	90.0	87.6	87.1	85.9			134.6
	20000	77.1	84.6	85.8	87.6	88.1	88.3	89.9	92.0	93.3	91.1	88.3	85.3	84.3	82.6			132.6
	25000	75.8	83.3	85.3	86.9	86.6	87.9	88.0	89.8	90.3	88.8	85.3	82.7	81.8	80.8			131.1
	31500	72.7	79.7	81.8	83.7	84.3	86.3	86.7	87.8	87.2	89.7	82.6	80.5	79.8	76.9			129.2
	40000	70.1	76.3	78.8	80.4	80.9	82.0	83.4	84.3	84.4	82.7	79.2	76.8	77.0	74.8			126.7
	50000	67.4	72.8	74.6	76.1	76.8	78.8	80.6	81.5	81.3	80.7	76.9	77.4	76.8	73.4			124.9
	63000	65.5	69.2	70.9	72.3	72.6	76.6	78.4	79.4	78.1	78.5	75.1	77.6	77.3	74.1			124.6
	80000	65.4	69.8	67.1	67.6	70.1	77.2	78.5	78.4	75.6	78.6	75.1	79.4	78.6	75.3			127.3
OVERALL MEASURED		97.9	100.4	101.3	102.3	103.5	104.2	105.4	107.3	109.2	109.9	109.2	110.2	111.5	111.0			149.0
OVERALL CALCULATED		110.2	112.5	112.9	113.8	115.4	116.4	117.7	119.5	121.6	122.6	121.2	121.6	120.9	119.5			

200

406-

MODEL SOUND PRESSURE LEVELS (59, DEG; F, 70 PERCENT REL. HUM, DAY - JENOTS)

SPL INPUT AT STD REV: ALPHA 12/73	ANGLES FROM INLET IN DEGREES (AND RADIANS)																	PHL
	30,	40,	50,	60,	70,	80,	90,	100,	110,	120,	130,	140,	150,	160,	0,	0,	0,	
FREQ.	(0.52)	(0.70)	(0.87)	(1.05)	(1.22)	(1.40)	(1.57)	(1.75)	(1.92)	(2.09)	(2.27)	(2.44)	(2.62)	(2.79)	(0,	(0,	(0,	
NO EGA	50	62.8	62.6	63.4	63.2	64.5	64.3	65.6	66.0	67.4	68.8	71.5	74.5	78.1				111.7
RQ: NO. 01	63	65.1	65.3	65.6	66.0	66.3	67.6	68.5	68.7	69.4	71.6	74.6	77.4	81.5				114.8
RADIAL 40. FT.	80	67.4	67.9	68.8	67.9	68.5	68.7	70.6	71.6	72.8	74.9	78.0	81.1	84.3				118.3
(12. M)	100	70.9	70.9	71.4	70.1	70.1	71.6	75.2	76.3	77.2	79.1	81.6	85.5	90.0				122.5
VEHICLE JENOTS	125	73.9	73.2	72.2	72.7	72.4	75.4	78.1	78.2	79.9	82.4	84.7	88.6	92.0				125.1
CONFIG JE-060	160	78.9	75.1	75.4	76.1	75.9	77.9	80.3	80.9	83.4	84.4	86.6	89.9	92.8				126.5
LOC EVENDALE	200	79.3	78.3	76.3	76.8	77.3	79.0	80.0	81.8	83.3	87.0	89.6	92.9	96.0				129.4
DATE 05-08-75	250	81.5	80.8	80.3	81.0	80.8	81.3	82.8	84.0	90.5	90.5	93.3	95.3	98.9				132.2
RUN DBTF-MODEL 4	315	84.5	82.5	81.3	82.3	84.3	85.2	84.3	88.5	89.0	91.5	94.0	95.9	99.7				133.6
TAPE X40110	400	81.9	78.4	81.8	82.4	84.4	83.9	86.0	88.3	89.5	92.3	92.8	97.8	100.7				133.4
BAR 29.5 HG	500	79.8	80.3	80.8	79.3	80.4	82.1	85.2	85.4	87.2	88.7	91.2	98.1	100.1				132.3
(99448, N/M2)	630	79.8	80.4	80.7	79.7	81.2	81.3	84.1	86.1	87.9	88.9	93.2	97.3	98.9				132.3
TAMB 61, DEG F	800	80.2	80.9	81.1	81.0	82.0	82.0	83.4	86.9	87.8	91.5	93.7	96.5	96.2				131.6
(289, DEG K)	1000	80.3	79.6	81.3	80.9	82.0	83.2	84.9	86.1	88.1	91.6	93.2	95.9	94.1				130.5
TWET 52, DEG F	1250	79.2	79.9	81.1	80.8	82.5	82.2	84.4	85.9	87.7	90.9	93.3	95.0	92.7				129.7
(284, DEG K)	1600	78.8	80.2	80.9	80.5	81.8	83.2	84.5	86.5	87.1	89.7	92.3	93.4	90.1				128.7
HACT 0, GH/M3	2000	79.8	79.3	79.3	81.6	82.2	83.1	84.0	85.6	87.2	88.6	90.9	91.2	87.8				127.5
(KG/M3)	2500	78.5	80.0	80.2	79.2	81.1	81.9	83.4	85.6	86.8	88.3	89.0	89.7	84.6				126.4
FREQ. SHIFT	3150	78.3	80.4	81.0	80.9	82.1	82.8	84.2	86.1	87.5	88.8	88.4	87.8	83.5				126.4
JET 0	4000	77.6	80.6	81.7	81.5	83.6	84.8	86.1	87.9	87.5	88.8	87.2	85.2	81.7				126.8
DIAMETER RATIO	5000	76.2	79.4	80.5	81.3	82.5	84.3	85.7	86.7	87.3	89.4	86.6	84.6	80.4				126.5
DE/DM 1.00	6300	75.4	78.7	80.2	80.8	81.8	82.4	83.3	84.3	85.0	86.6	85.0	82.6	79.5				124.6
	8000	74.1	78.4	79.4	79.9	80.9	81.0	81.4	82.6	84.1	84.8	82.8	80.9	78.8				123.4
	10000	73.1	78.3	79.6	80.1	80.3	79.5	79.3	81.9	83.0	84.8	81.2	78.8	77.5				122.9
	12500	71.9	78.4	80.1	80.3	80.2	78.7	78.7	80.3	81.7	83.8	80.2	77.9	77.4				122.5
	16000	70.3	77.1	79.1	79.1	79.0	76.8	77.4	78.9	80.2	81.6	78.5	76.8	76.3				121.4
	20000	67.3	75.3	76.3	76.6	76.1	73.3	74.4	76.2	78.0	79.3	76.9	74.2	74.8				119.4
	25000	65.0	73.4	74.7	75.1	73.3	71.3	72.4	73.7	75.7	76.8	74.0	72.4	74.0				117.8
	31500	61.6	70.6	71.7	71.4	69.4	68.5	69.3	71.3	72.4	73.9	71.3	69.9	72.7				115.4
	40000	58.8	67.5	68.8	69.1	66.4	63.7	66.1	67.5	68.9	69.7	67.6	66.3	71.5				113.0
	50000	57.6	64.6	66.1	65.6	63.5	60.3	64.6	65.3	65.5	66.9	64.4	66.9	73.0				112.4
	63000	57.1	60.8	61.9	62.4	60.9	57.4	65.7	65.7	63.4	65.9	63.4	67.9	75.3				114.7
	80000	57.5	57.9	57.4	57.7	58.9	56.8	66.8	67.0	63.7	67.4	64.5	69.5	77.3				119.1
OVERALL MEASURED																		
OVERALL CALCULATED		92.6	93.1	93.8	94.0	95.0	95.6	97.0	98.8	100.3	102.4	103.9	106.7	108.3				142.9
PNOB		103.8	103.2	106.0	106.1	107.5	108.5	109.8	111.6	112.3	114.1	114.9	115.6	115.7				

ORIGINAL PAGE IS OF POOR QUALITY

201

467

MODEL SOUND PRESSURE LEVELS (99, DEG; F, 70 PERCENT REL. HUM, DAY - JENOTS)

ANGLES FROM INLET IN DEGREES (AND RADIANS)

SPL INPUT AT STD	30,	40,	50,	60,	70,	80,	90,	100,	110,	120,	130,	140,	150,	160,	0,	0,	0,	PWL
REV: ALPHA 12/73	FREQ. (0.52)	(0.70)	(0.87)	(1.05)	(1.22)	(1.40)	(1.57)	(1.75)	(1.92)	(2.09)	(2.27)	(2.44)	(2.62)	(2.79)	(0,	(0,	(0,)
NO EGA	50	65.6	66.1	67.1	66.9	68.0	68.3	69.1	69.8	70.4	71.6	74.3	77.0	81.3	81.4			114.5
RUG: NO. 0,	63	69.1	68.0	70.1	70.0	70.0	72.6	71.5	73.4	74.1	75.6	78.1	81.1	85.0	85.3			118.2
RADIAL 40, FT.	80	70.9	72.4	72.5	71.9	72.0	72.2	74.1	74.6	75.8	78.4	81.5	84.9	88.0	89.4			121.4
(12. M)	100	74.6	74.6	75.4	74.4	74.1	75.9	78.4	79.8	80.7	82.4	85.1	89.5	93.8	94.7			126.4
VEHICLE JENOTS	125	77.4	76.4	75.9	76.4	76.2	78.9	81.9	82.2	83.7	86.4	88.4	91.8	95.3	96.0			128.4
CUNFIG JE-060	160	82.1	79.1	79.1	79.4	79.4	81.6	84.1	84.4	87.1	88.6	90.4	93.4	96.8	97.3			130.2
LUC EVENDALE	200	82.3	81.0	79.0	79.5	81.0	82.0	83.8	84.8	87.3	89.5	92.3	96.1	99.2	100.8			132.4
DATE 15-08-75	250	84.8	84.0	83.0	82.8	82.8	83.8	84.5	86.5	92.3	92.0	95.5	97.5	102.2	101.6			134.7
RUN DBTF-MODEL 4	315	85.8	83.5	82.8	84.3	86.0	86.4	85.5	89.8	90.3	92.5	95.3	97.6	102.7	104.8			135.7
TAPE X40130	400	82.9	80.4	83.3	82.9	85.1	84.7	86.8	88.8	91.0	93.8	93.5	99.0	102.4	101.3			135.0
BAR 29.3 HG	500	82.3	82.6	84.1	82.5	83.9	85.1	86.9	88.4	90.7	92.2	94.2	100.1	102.8	99.3			135.0
(99111, N/M2)	630	82.6	83.4	83.9	82.7	83.9	84.0	87.1	88.9	91.2	92.4	95.4	99.1	100.9	99.1			134.2
TAMB 69, DEG F	800	81.9	84.1	83.9	84.3	85.3	85.5	87.4	89.9	91.3	94.8	97.0	98.5	98.4	97.9			134.0
(294, DEG K)	1000	83.1	82.4	84.3	83.9	85.0	86.4	88.2	89.1	91.1	94.1	95.4	96.2	94.8	92.4			132.2
TWEY 55, DEG F	1250	82.2	83.2	84.4	84.3	85.2	86.2	88.2	89.2	90.7	93.6	95.8	97.2	92.4	89.4			132.2
(286, DEG K)	1600	81.5	84.2	84.1	84.7	85.3	86.7	88.8	89.7	90.6	92.8	95.1	94.7	91.4	87.7			131.4
HACT (, GH/M3)	2000	83.3	83.3	83.3	85.7	87.0	87.6	88.5	89.8	90.7	92.1	93.9	93.8	90.1	87.0			131.0
(, KG/M3)	2500	82.1	84.8	84.3	84.5	85.9	87.2	88.7	90.6	91.3	93.1	92.7	92.4	88.6	85.5			130.8
FREQ. SHIFT	3150	82.1	84.9	85.0	86.0	87.1	88.1	89.8	90.9	92.1	94.1	92.4	91.4	88.8	87.4			131.3
JET 0	4000	82.4	85.4	85.7	87.1	88.4	90.3	91.6	92.7	93.0	94.4	91.5	89.8	87.8	86.0			132.1
DIAMETER RATIO	5000	82.2	85.3	85.9	88.1	89.5	91.1	92.8	94.0	95.3	96.0	91.5	90.4	87.8	86.1			133.3
DE/DM 1.00	6300	81.0	85.9	86.8	88.6	90.1	91.7	91.9	92.6	94.0	96.2	90.6	89.2	86.8	84.8			133.0
	8000	80.0	84.5	86.3	87.8	89.5	89.8	90.0	93.2	94.0	95.4	89.9	88.2	86.2	84.4			132.6
	10000	80.0	85.7	88.3	89.1	89.3	88.7	89.0	92.3	94.2	93.9	88.9	86.8	85.7	84.3			132.4
	12500	78.9	85.7	87.8	88.2	88.1	87.9	88.9	91.0	93.0	93.1	88.2	85.9	86.4	85.8			131.9
	16000	78.5	86.3	87.8	87.9	87.6	86.6	87.4	89.7	91.2	90.9	87.0	85.6	87.1	85.9			131.1
	20000	75.6	84.6	86.1	85.9	84.9	83.6	84.9	87.0	89.6	89.1	85.0	83.3	84.8	83.4			129.5
	25000	73.3	81.5	83.0	83.1	82.4	81.1	82.8	85.3	86.5	85.8	81.6	80.5	80.8	79.8			127.2
	31500	69.4	77.7	79.0	79.7	79.3	79.1	80.7	82.6	83.2	83.2	79.6	77.7	78.5	76.4			124.9
	40000	67.9	74.6	75.8	76.9	76.4	76.0	77.4	79.6	80.2	80.2	75.7	74.6	75.5	74.3			122.5
	50000	65.6	71.3	72.6	73.4	73.3	72.8	74.8	77.3	77.3	79.2	74.4	75.7	76.0	73.6			121.5
	63000	66.0	67.7	68.9	69.8	70.1	69.6	71.9	76.9	75.6	80.0	74.6	77.6	77.3	75.1			122.9
	80000	66.7	65.5	65.6	66.6	69.1	67.2	69.5	77.7	74.8	82.3	75.4	79.4	78.9	76.1			126.9
OVERALL MEASURED																		
OVERALL CALCULATED		95.8	97.9	98.7	99.4	100.3	101.0	102.2	104.0	105.5	106.9	106.9	108.9	110.9	110.6			146.6
PND8		107.6	109.7	110.2	111.2	112.4	113.7	115.1	116.6	117.9	119.3	118.2	118.6	118.8	118.2			

202

408 -

SPL INPUT AT STD REV: ALPHA 12/73	FREQ.	ANGLES FROM INLET IN DEGREES (AND RADIANS)																PHL	
		30.	40.	50.	60.	70.	80.	90.	100.	110.	120.	130.	140.	150.	160.	0.	0.		0.
NO EGA	50	66.3	66.6	67.9	67.4	68.2	68.6	69.1	69.5	70.4	71.6	74.3	78.0	81.6	83.4				115.2
RUG: NO. 0	63	69.1	69.6	70.1	70.0	70.5	72.1	71.8	72.4	73.6	75.3	78.6	81.9	85.5	87.3				118.9
RADIAL 40. FT.	80	70.9	72.4	73.3	72.4	72.5	72.4	74.1	75.1	76.3	77.9	82.2	85.6	88.5	91.4				122.3
(12. M)	100	74.6	74.9	75.6	74.4	74.1	75.6	78.9	80.1	81.2	82.4	85.6	90.0	94.3	94.9				126.7
VEHICLE JENOTS	125	77.9	76.7	73.9	76.4	76.4	78.9	81.9	82.2	83.2	83.7	88.7	92.6	95.8	97.3				128.9
CONF IG JE-060	160	82.4	79.1	79.4	79.6	79.9	81.6	84.6	84.6	87.1	88.6	90.6	93.4	96.6	98.6				130.5
LUC EVENDALE	200	82.8	81.3	79.5	80.0	81.0	82.8	84.0	85.5	87.0	90.0	92.8	96.4	99.0	101.8				132.8
DATE 05-08-79	250	85.0	83.8	83.3	83.5	83.8	84.3	85.3	86.8	92.8	92.0	95.3	97.8	101.9	101.6				134.6
RUN DATF-MODEL 4	315	86.3	84.3	83.5	84.8	86.3	86.4	86.0	90.5	90.5	92.8	95.8	98.4	103.2	105.5				136.3
TAPE X40130	400	83.1	80.4	86.8	83.6	85.4	85.4	87.5	89.6	91.8	94.6	94.5	100.3	103.7	101.9				136.0
BAR 29.5 HG	500	82.3	83.1	83.8	82.5	83.7	85.4	87.7	89.2	90.7	92.4	94.7	100.4	102.6	99.6				133.0
(9948, N/M2)	630	82.1	83.4	83.9	82.9	84.4	84.3	87.8	89.1	91.9	92.4	96.2	100.1	101.9	101.3				135.2
TAHB 65, DEG F	800	82.2	84.1	83.9	84.5	85.8	85.5	87.4	90.6	91.8	94.5	96.9	98.8	97.9	98.4				134.1
(291, DEG K)	1000	83.6	82.9	84.5	83.9	85.8	86.7	88.2	89.6	91.6	93.1	95.7	97.9	95.6	92.7				133.0
TWET 54, DEG F	1250	83.0	83.2	84.6	84.8	85.5	85.7	88.6	89.9	91.2	93.6	96.6	97.2	93.2	89.9				132.5
(285, DEG K)	1600	82.0	84.7	84.6	85.0	86.1	87.2	88.8	90.0	91.1	93.0	95.3	93.2	91.6	88.0				131.7
HACT 0, GM/M3	2000	83.8	83.8	83.5	86.1	87.0	87.8	88.8	90.3	91.7	92.4	94.1	94.5	90.1	87.3				131.3
(KG/M3)	2500	82.8	85.0	85.0	84.7	85.8	87.7	89.4	91.4	92.3	92.8	92.7	92.9	88.9	86.0				131.1
FREQ, SHIFT	3150	82.8	85.1	85.5	86.9	87.8	88.6	90.5	91.6	92.3	93.8	92.6	91.6	89.0	86.3				131.6
JLT 0	4000	82.6	85.9	86.4	87.8	89.1	90.8	92.3	93.1	94.0	94.1	91.7	91.0	88.0	85.9				132.5
DIAMETER RATIO	5000	82.7	85.0	86.8	88.5	89.7	91.5	93.5	94.7	95.8	95.7	91.9	90.8	87.9	85.3				133.7
DF/DH 1.00	6300	82.2	85.7	87.4	89.0	90.6	92.1	92.3	94.1	95.8	95.6	91.0	89.6	87.5	89.0				133.4
	8000	80.6	84.7	86.4	88.2	89.9	90.2	91.1	93.6	94.2	94.6	90.1	88.4	86.8	84.5				132.7
	10000	80.9	86.8	88.8	89.4	89.4	89.3	89.9	92.7	94.5	93.5	89.0	87.1	85.8	85.4				132.7
	12500	80.4	87.2	88.8	88.6	88.5	87.9	89.7	91.6	93.5	92.4	88.0	86.7	86.9	86.3				132.2
	16000	79.6	87.1	88.6	87.7	87.8	87.3	88.2	90.2	92.2	91.1	87.5	86.1	87.3	86.4				131.7
	20000	76.8	85.4	86.3	85.9	85.1	83.6	85.4	87.5	89.8	88.3	85.0	83.5	84.6	83.9				129.5
	25000	73.6	82.0	83.3	82.6	81.4	81.1	83.3	85.0	86.8	85.1	82.1	80.7	81.3	80.0				127.1
	31500	69.2	77.7	79.5	79.2	78.5	78.8	80.7	82.6	83.2	82.2	78.6	77.5	77.8	76.2				124.9
	40000	66.6	74.3	76.1	76.6	75.9	75.2	77.4	78.9	79.5	78.5	75.5	74.4	75.1	73.7				121.9
	50000	63.4	70.4	72.1	72.9	72.1	72.4	74.2	75.9	76.1	75.3	73.0	75.0	74.3	72.2				120.0
	63000	59.9	66.9	68.5	69.2	68.5	68.3	71.0	72.1	72.3	73.7	73.8	76.2	75.9	74.0				120.1
	80000	58.1	63.9	65.0	65.5	66.5	66.6	68.9	69.1	67.5	73.8	74.8	78.3	77.6	75.0				123.0
OVERALL MEASURED																			
OVERALL CALCULATED		96.2	98.3	99.4	99.7	100.6	101.3	102.8	104.5	106.0	106.8	107.2	109.5	111.3	111.3				146.9
PND8		108.0	110.0	110.8	111.7	112.9	114.1	115.7	117.2	118.4	119.1	118.5	119.1	119.3	118.8				

ORIGINAL PAGE IS
OF POOR QUALITY

Repeat of 413

203

409

SPL INPUT AT STD REV: ALPHA 12/73	FREQ.	ANGLES FROM INLET IN DEGREES (AND RADIANS)															PWL		
		30, (0.52)	40, (0.70)	50, (0.87)	60, (1.05)	70, (1.22)	80, (1.40)	90, (1.57)	100, (1.75)	110, (1.92)	120, (2.09)	130, (2.27)	140, (2.44)	150, (2.62)	160, (2.79)	0, (0.0)		0, (0.0)	0, (0.0)
NO EGA	50	69.6	67.8	70.4	70.2	71.2	71.6	72.4	73.8	74.6	76.1	68.3	82.0	85.3	87.2				118.7
RUG, NO. 0,	63	73.1	73.6	74.1	74.2	74.8	74.9	75.8	75.9	77.1	79.1	71.8	85.9	89.2	93.6				122.3
RADIAL 40. FT, (12. M)	80	75.4	76.4	77.0	75.9	75.8	76.7	78.3	79.1	80.3	81.9	75.7	89.1	92.3	93.6				125.3
VEHICLE JENOTS	100	79.1	79.1	79.6	78.6	78.9	80.1	82.7	84.1	85.2	86.6	79.4	93.5	97.5	98.7				130.1
CONFIG JE-060	125	81.9	80.9	80.2	81.2	80.9	83.4	85.9	86.7	87.4	89.9	82.2	95.8	99.3	100.0				132.0
LUC EVENDALE	160	86.6	83.9	83.9	83.4	84.1	85.9	89.1	88.4	91.1	92.4	84.1	97.4	100.8	101.6				133.9
DATE 05-08-75	200	86.3	84.5	84.0	84.0	85.0	86.3	87.3	88.8	91.0	93.3	86.6	100.1	103.2	104.3				135.9
RUN DBTF-MODEL 4	250	87.8	87.5	86.3	86.5	86.3	87.3	87.5	89.0	95.3	95.3	88.5	101.8	105.7	104.6				137.7
TAPE X40150	315	89.3	87.3	86.8	87.8	88.5	89.4	88.5	92.3	93.0	95.5	89.5	101.9	106.7	107.5				138.9
BAR 29.3 HG (99.43, N/M2)	400	86.1	84.2	87.3	86.6	88.4	88.2	90.3	92.3	94.3	97.6	87.0	102.3	107.2	104.3				139.6
TAHR 72. DEG F (295. DEG K)	500	86.6	87.1	88.3	87.0	88.2	89.1	91.9	92.9	94.7	96.2	88.7	103.6	104.8	102.6				137.8
TWEI 56. DEG F (286. DEG K)	630	87.1	88.0	88.5	86.7	88.7	88.5	91.6	93.6	95.4	97.2	90.2	102.8	104.4	102.1				137.6
HACT G, GM/M3 (1. KG/M3)	800	86.7	89.2	88.4	88.5	90.0	90.3	91.9	95.1	96.8	99.5	91.7	102.3	102.0	101.0				137.4
FREQ. SHIFT	1000	87.8	87.4	88.5	88.4	89.5	90.7	92.7	94.3	96.1	99.6	91.2	100.4	99.4	96.7				136.2
JET "	1250	87.0	88.7	88.9	89.0	90.2	90.9	93.2	94.4	96.4	99.1	91.6	101.5	97.4	94.2				136.2
DIAMETER RATIO	1600	86.6	89.2	88.7	89.0	90.6	91.7	93.5	95.2	96.1	98.8	90.1	99.7	95.9	92.7				135.7
DF/CM 1.00	2000	88.1	88.1	88.3	90.4	91.7	92.1	93.8	95.6	96.7	98.9	89.7	99.0	96.8	93.3				135.9
	2500	87.1	88.8	88.5	89.2	90.6	91.9	93.7	95.2	98.0	98.8	88.8	98.4	95.9	92.8				135.8
	3150	87.3	89.2	89.5	90.2	91.6	92.3	94.3	96.1	98.6	99.6	89.2	98.6	96.1	94.9				136.5
	4000	85.9	88.7	89.0	90.3	92.6	94.1	95.6	97.5	99.3	99.7	88.3	97.3	95.3	93.3				136.9
	5000	86.0	89.3	89.4	91.4	92.8	94.9	96.6	98.8	101.4	100.5	88.5	98.1	95.8	93.4				138.1
	6300	85.8	90.1	90.8	93.1	95.4	96.3	97.2	99.2	102.1	100.5	87.9	97.2	95.6	92.4				138.8
	8000	85.6	90.6	91.1	93.6	95.1	95.9	96.8	99.8	101.8	99.5	87.0	96.6	94.7	92.7				138.8
	10000	84.6	90.1	91.1	93.1	94.4	95.3	96.4	99.4	101.5	99.3	86.5	94.9	93.6	91.9				138.6
	12500	83.0	88.8	90.4	92.4	93.8	94.2	96.1	98.6	100.9	97.9	84.6	93.0	91.7	89.9				138.1
	16000	80.7	87.0	88.2	90.3	92.2	92.9	94.3	96.3	97.3	96.0	82.6	90.7	89.2	87.0				136.1
	20000	78.7	85.3	86.5	88.8	89.8	90.7	92.1	94.1	95.2	92.5	79.9	87.2	86.2	84.3				134.2
	25000	77.2	83.9	85.7	88.0	88.8	89.3	90.4	91.7	92.4	90.3	76.0	85.1	84.7	81.9				132.7
	31500	73.8	79.9	81.9	84.1	85.4	87.5	88.6	89.0	88.9	87.4	73.3	82.6	82.4	79.6				130.5
	40000	70.7	76.4	78.7	81.2	82.1	83.4	85.1	85.5	85.6	83.9	69.6	81.5	81.9	79.4				127.9
	50000	68.5	72.7	75.9	77.2	78.6	80.2	81.7	82.4	82.4	82.6	67.3	83.5	83.9	81.2				126.8
	63000	67.6	69.5	74.7	74.9	77.7	77.7	79.2	80.0	79.7	82.6	66.2	86.1	86.3	83.9				120.3
	80000	67.5	66.3	73.9	73.9	77.4	77.0	78.8	79.2	76.4	83.9	65.9	87.9	87.7	83.4				132.3
OVERALL MEASURED																			
OVERALL CALCULATED		100.0	101.8	102.3	103.6	105.0	106.0	107.5	109.6	111.6	111.7	102.1	113.4	114.9	114.0				151.0
PND8		112.2	113.9	114.2	115.4	117.1	118.0	119.6	121.6	123.9	124.1	114.2	124.9	123.9	122.5				



★ 10 dB TOO LOW

410

		MODEL SOUND PRESSURE LEVELS (59, DEG; F, 70 PERCENT REL. HUM, DAY - JENOTS)																	
		ANGLES FROM INLET IN DEGREES (AND RADIANS)																	
SPL INPUT AT STD	FREQ.	30.	40.	50.	60.	70.	80.	90.	100.	110.	120.	130.	140.	150.	160.	0.	0.	0.	PWL
REV: ALPHA 12/73	(0.52)	(0.70)	(0.87)	(1.05)	(1.22)	(1.40)	(1.57)	(1.75)	(1.92)	(2.09)	(2.27)	(2.44)	(2.62)	(2.79)	(0.)	(0.)	(0.)		
NO EGA	50	64.1	64.6	65.4	65.2	65.5	65.8	66.6	67.0	67.9	69.1	72.0	75.0	79.1	79.7				112.4
RUG: NO. 01	63	66.6	67.8	67.6	67.7	68.3	70.9	69.3	69.4	70.6	73.3	75.8	78.9	82.5	83.1				115.8
RADIAL 40. FT.	80	68.4	69.6	70.3	69.1	69.5	69.7	71.3	72.3	73.3	75.4	79.2	82.1	85.3	86.6				118.7
(12. M)	100	72.4	72.6	72.9	71.6	71.6	72.9	76.2	77.3	78.7	80.1	82.9	86.5	91.0	92.2				123.7
VEHICLE JENOTS	125	74.2	73.7	73.2	73.7	73.7	76.2	78.9	79.4	80.7	83.4	85.4	88.8	92.0	93.0				125.3
CONFIG JE-060	160	80.1	76.9	77.1	77.4	77.1	78.6	81.6	81.6	84.9	86.4	88.1	91.4	93.8	95.1				127.8
LUC EVENDALE	200	80.3	78.8	77.5	77.5	78.5	79.5	81.3	82.5	84.8	88.3	91.1	94.9	97.5	93.8				130.7
DATE 05-08-75	250	82.3	81.3	80.8	80.8	81.0	82.0	83.0	84.8	91.5	91.0	94.5	96.5	100.9	100.6				133.5
RUN DBTF-MODEL 4	315	85.0	83.3	82.0	83.0	85.3	86.2	85.3	90.0	90.5	92.8	95.5	96.9	101.7	104.0				135.1
TAPT X40160	400	81.9	78.9	82.8	82.9	84.4	83.4	86.0	88.1	90.3	93.1	93.0	98.3	100.9	100.3				133.9
BAR 29.4 HG	500	82.1	82.1	82.6	80.8	81.9	83.4	84.7	86.9	89.2	90.9	93.7	100.4	103.1	99.3				134.8
(99144, N/M2)	630	82.3	82.2	82.9	81.2	82.7	82.5	85.8	87.6	90.2	91.2	94.7	99.6	101.1	100.3				134.3
TAMB 66, DEG F	800	81.4	83.1	82.1	82.5	83.5	83.5	85.9	88.4	89.8	93.0	95.7	98.3	99.2	99.2				133.6
(292, DEG K)	1000	81.8	80.9	82.3	81.6	83.3	84.9	86.2	88.1	90.1	93.1	95.2	95.9	95.3	94.4				131.8
TWEI 54, DEG F	1250	80.2	81.2	82.1	81.8	83.5	83.9	86.2	88.2	89.7	92.4	95.6	97.0	93.4	91.2				131.6
(205, DEG K)	1600	79.5	81.7	81.4	82.2	83.1	84.2	86.3	88.0	89.3	91.7	94.6	94.0	91.4	88.5				130.3
HACT G, GH/M3	2000	80.6	80.3	80.5	82.6	83.7	84.4	85.3	87.3	89.0	90.4	92.9	92.8	89.6	86.5				129.2
(1, KG/M3)	2500	79.3	80.8	81.0	80.7	81.8	83.2	84.9	86.9	88.5	90.1	91.0	90.4	86.6	84.0				127.9
FREQ, SHIFT	3150	78.5	80.9	81.5	81.7	83.1	83.6	85.8	87.1	88.0	90.1	90.1	88.9	85.0	84.4				127.7
JET 0	4000	77.6	81.2	81.7	83.0	84.1	85.3	87.3	88.9	89.3	90.4	88.8	86.8	82.8	81.0				128.1
DIAMETER RATIO	5000	77.5	81.7	81.8	83.3	84.0	85.5	87.5	88.5	89.5	90.5	87.7	85.3	82.0	80.1				128.0
DE/DH 1.00	6300	76.7	79.8	81.2	82.6	83.6	84.4	85.1	87.3	88.0	88.9	86.3	83.9	80.8	79.3				126.8
	8000	75.2	80.0	81.2	81.7	82.0	83.0	83.2	85.4	86.5	87.1	84.9	81.9	80.1	79.1				125.5
	10000	74.5	79.2	81.4	81.5	81.4	81.6	81.7	84.2	85.3	86.9	83.3	80.7	79.4	78.5				125.0
	12500	73.8	80.1	82.7	82.4	82.3	81.0	81.3	83.2	84.6	87.2	82.1	80.1	79.5	79.2				129.2
	16000	70.9	78.9	80.2	80.0	79.9	79.2	79.3	81.3	83.1	85.0	80.9	78.9	77.9	76.8				123.7
	20000	68.9	76.7	77.4	78.5	77.5	75.7	76.8	79.1	81.0	82.7	78.4	75.9	75.9	74.7				121.8
	25000	66.9	75.4	76.6	76.5	75.2	73.5	74.6	76.6	78.6	79.9	76.4	74.6	74.9	73.6				120.2
	31500	63.5	72.1	72.9	72.8	71.9	70.7	71.5	73.7	75.1	77.6	74.5	72.8	73.6	71.5				117.9
	40000	62.2	69.2	69.4	69.7	68.5	65.8	67.5	69.4	70.4	74.6	70.8	71.5	72.4	70.7				119.4
	50000	62.7	66.5	66.7	66.5	66.9	64.0	66.0	66.9	66.9	75.6	71.3	74.3	74.1	71.5				116.3
	63000	64.2	63.1	64.5	63.7	66.6	64.3	66.8	66.6	64.6	78.2	73.3	76.5	76.7	74.9				119.9
	80000	65.8	64.4	63.8	63.5	67.8	65.9	68.2	67.9	64.5	80.8	75.3	79.1	78.6	76.3				125.1
OVERALL MEASURED																			
OVERALL CALCULATED		93.6	94.4	95.0	95.2	96.2	96.8	98.3	100.3	102.1	104.0	105.7	108.2	110.1	109.9				144.5
PNOB		104.5	109.2	106.7	107.4	108.5	109.4	111.2	113.0	114.7	115.8	116.2	119.8	117.6	117.0				

205

411

ORIGINAL PAGE IS
OF POOR QUALITY

MODEL SOUND PRESSURE LEVELS (59, DEG; F, 70 PERCENT REL. HUM, DAY - JENOTS)

SPL INPUT AT STD REV: ALPHA 12/73	FREQ.	ANGLES FROM INLET IN DEGREES (AND RADIANS)																PHL	
		30	40	50	60	70	80	90	100	110	120	130	140	150	160	0	0		0
NO EGA	50	67.8	67.6	63.9	68.4	69.2	69.3	69.9	70.8	76.4	73.3	76.0	78.8	82.6	83.7				116.4
RUG: NO. 0	63	70.8	71.3	72.1	71.7	72.5	73.9	73.5	73.9	78.9	77.3	79.8	82.9	87.2	88.1				120.5
RADIAL 40. FT. (12. M)	80	73.4	74.1	74.5	73.9	73.5	73.9	75.8	76.3	81.3	79.6	83.5	86.6	89.8	91.4				123.4
VEHICLE JENOTS	100	76.4	76.6	77.4	76.1	76.4	77.6	80.2	81.1	86.5	84.4	86.9	91.3	95.3	96.2				128.2
CONFIG JE-060	125	79.4	78.2	78.4	78.4	78.2	80.9	83.6	84.2	88.4	87.9	89.9	93.8	97.0	98.0				130.4
LOC EVENDALE	160	84.1	81.4	81.9	81.4	81.6	83.4	86.1	86.1	91.9	90.4	91.9	94.9	98.3	99.3				132.1
DATE 5-08-75	200	84.0	83.3	81.3	81.8	82.3	84.0	85.5	86.5	91.0	91.3	94.6	98.4	101.2	102.0				134.4
RUN CBTf-MODEL 4	250	86.3	85.3	84.3	84.3	84.5	85.3	86.0	87.5	96.5	93.8	97.3	100.0	104.2	103.1				136.8
TAPE X40180	315	87.5	89.0	85.0	85.8	87.3	87.9	87.0	91.3	94.8	94.8	98.5	100.9	105.9	107.5				138.7
BAR 29.3 HG (99111. N/M2)	400	84.4	82.2	84.8	84.6	86.4	86.7	88.0	90.1	95.8	93.8	95.5	101.5	105.7	103.8				137.7
TAMB 69, DEG F (294, DEG K)	500	84.8	85.3	86.1	84.5	85.7	87.1	88.7	90.4	95.9	94.4	96.7	102.9	104.8	101.6				137.4
TWET 55, DEG F (286, DEG K)	630	85.6	85.7	86.2	83.9	85.7	86.3	89.1	91.4	95.9	94.4	97.9	102.1	104.6	101.6				137.3
HACT % GM/M3 () KG/M3	800	84.9	86.1	86.1	86.0	87.3	87.3	89.1	91.9	96.5	96.5	99.0	101.3	100.9	100.7				136.6
FREQ, SHIFT	1000	85.3	83.9	85.9	85.9	86.5	87.4	89.4	91.3	96.6	96.6	98.7	98.9	97.8	95.2				135.1
JET 0	1250	83.7	84.9	85.4	85.8	87.0	87.7	89.9	91.2	95.9	96.4	98.3	99.5	94.7	92.4				134.8
DIAMETER RATIO DE/DN 1.00	1600	83.0	85.7	85.6	85.7	86.8	88.2	90.0	91.5	96.6	95.3	96.8	96.7	93.1	89.5				133.8
	2000	84.3	84.3	84.5	87.2	88.2	88.6	90.3	91.3	96.2	94.4	95.9	95.8	92.3	89.3				133.4
	2500	83.6	85.1	86.0	85.5	87.4	88.4	89.7	91.9	96.5	94.3	94.5	94.2	90.1	87.7				132.9
	3150	82.6	85.2	85.5	86.7	88.1	89.1	91.0	92.4	96.6	93.4	94.4	93.6	90.3	88.9				133.3
	4000	81.2	85.4	86.0	88.1	89.6	91.1	92.6	93.7	97.8	95.1	93.3	92.3	89.8	87.3				134.0
	5000	81.7	85.5	86.4	88.1	90.5	92.1	94.0	95.3	100.6	97.0	93.0	91.9	89.8	87.1				135.6
	6300	81.7	85.8	87.0	89.1	91.4	92.7	92.9	94.6	99.8	96.7	92.6	90.9	88.6	87.1				135.3
	8000	80.2	85.0	86.6	89.3	91.3	91.3	91.8	94.4	100.3	95.9	91.7	89.7	88.2	85.9				135.3
	10000	79.8	86.0	88.0	89.8	90.5	90.2	90.8	94.1	100.7	95.2	90.9	88.3	87.7	86.1				135.5
	12500	79.6	87.9	89.0	90.0	90.4	89.4	90.4	92.8	99.7	93.8	89.5	87.7	88.6	88.0				135.1
	16000	78.8	86.3	88.8	89.6	89.6	88.3	89.2	91.4	99.2	91.9	88.0	86.3	87.3	86.2				134.6
	20000	74.8	83.4	85.3	86.6	86.1	84.8	86.7	88.5	98.6	89.3	85.5	83.3	83.8	82.1				133.4
	25000	72.1	80.3	82.3	83.4	83.1	83.1	84.8	86.8	98.5	86.8	82.3	80.2	82.6	80.9				133.1
	31500	69.2	76.7	78.5	80.7	80.0	81.6	82.9	84.3	96.5	83.9	80.1	78.2	81.3	78.9				131.6
	40000	66.9	74.1	75.8	77.4	77.7	78.2	80.4	80.8	94.9	80.7	76.9	75.8	80.8	79.5				130.5
	50000	65.4	70.8	72.3	73.9	73.5	76.3	78.3	79.0	95.5	78.7	75.2	76.9	83.5	81.1				131.9
	63000	66.0	67.0	68.9	70.1	70.4	75.4	77.6	77.9	94.9	77.3	74.6	78.3	86.0	83.6				133.3
	80000	66.9	65.0	65.8	67.3	67.6	75.9	78.7	77.9	93.6	78.1	74.9	80.4	87.6	85.6				135.5
OVERALL MEASURED																			
OVERALL CALCULATED		97.2	98.8	99.7	100.6	101.8	102.4	103.7	105.6	111.8	108.4	109.1	111.3	113.5	112.8				149.6
PND8		108.4	110.4	111.0	112.3	113.8	114.9	116.9	118.0	123.2	120.7	120.2	120.8	121.2	120.9				

206

417

SPL INPUT AT STD REV: ALPHA 12/73	ANGLES FROM INLET IN DEGREES (AND RADIANS)																	PWL
	30.	40.	50.	60.	70.	80.	90.	100.	110.	120.	130.	140.	150.	160.	0.	0.	0.	
FREQ. (0.32)(0.70)(0.87)(1.03)(1.22)(1.40)(1.57)(1.75)(1.92)(2.09)(2.27)(2.44)(2.62)(2.79)(3.0)(3.0)(3.0)	50	72.3	72.1	72.6	72.4	72.7	73.6	73.9	74.8	76.4	77.8	70.5	83.5	87.3	95.4			123.5
NO EGA	63	75.3	76.3	76.4	76.9	76.8	78.1	77.3	77.4	80.6	82.3	74.6	87.4	91.2	96.3			125.7
RUG. NO. 0	80	77.6	78.5	79.0	77.6	78.0	78.7	80.3	80.3	82.6	84.6	78.2	91.4	94.5	98.1			128.3
RADIAL 40. FT.	100	81.6	81.4	81.6	80.4	80.6	82.1	84.9	85.8	87.0	89.1	81.6	96.0	99.8	102.7			132.9
(12. M)	125	84.2	83.2	82.7	83.2	82.9	84.9	88.1	88.2	89.7	92.2	84.4	98.3	101.3	103.0			134.4
VEHICLE JENOTS	160	88.9	86.1	86.4	86.1	86.1	87.9	90.3	90.9	93.4	94.6	86.6	99.4	103.1	103.8			136.1
CONFIG JE-060	200	88.8	87.5	85.5	86.5	86.8	88.3	90.0	90.5	93.0	96.3	89.6	103.6	106.5	106.8			138.9
LUC EVENDALE	250	90.5	89.8	88.8	88.3	88.5	89.3	89.5	91.5	97.8	98.3	92.5	105.3	109.2	107.1			140.3
DATE (5-08-75)	315	91.8	89.3	88.5	89.5	91.3	91.2	90.8	95.0	95.8	98.5	93.3	105.6	110.7	110.8			142.4
RUN Q3TF-MODEL 4	400	88.9	86.4	90.5	88.9	90.6	90.9	92.8	95.1	97.0	100.6	91.3	107.3	111.2	108.3			142.6
TAPE X40200	500	90.3	90.3	91.1	89.5	90.4	91.6	94.4	95.4	97.7	99.4	91.9	107.6	109.3	107.8			141.9
BAR 29.3 HG	630	90.6	90.2	90.7	89.5	91.2	91.5	94.1	96.1	98.4	100.2	93.7	106.8	109.7	108.6			142.0
(9043, N/M2)	800	90.0	90.9	90.6	91.3	92.3	92.8	94.4	97.6	99.3	102.5	94.5	105.5	106.0	105.7			140.7
TAMB 72, DEG F	1000	90.6	88.9	90.8	90.4	91.5	93.4	94.9	96.8	99.1	102.6	94.2	103.7	103.6	100.9			139.4
(295, DEG K)	1250	89.7	90.2	90.9	90.8	92.2	92.9	95.4	96.7	98.9	102.4	94.6	104.0	100.4	98.2			138.9
THET 56, DEG F	1600	88.6	91.0	90.7	91.0	92.3	93.7	95.5	97.5	99.3	101.5	93.3	102.2	98.9	96.5			138.3
(286, DEG K)	2000	90.3	90.1	90.0	92.2	93.7	94.6	95.8	97.6	99.2	101.4	92.2	101.5	98.8	96.3			138.2
HACT U, GM/M3	2500	89.1	90.1	90.5	90.5	92.4	93.7	95.5	97.9	99.8	101.1	91.8	100.9	98.9	96.0			138.1
(1 KG/M3)	3150	88.8	90.2	90.8	92.0	92.9	94.6	95.8	97.6	99.8	101.6	90.9	100.9	99.3	97.4			138.4
FREQ. SHIFT	4000	87.4	89.9	90.2	91.6	93.6	95.1	96.9	98.5	101.3	100.7	90.8	100.1	99.1	96.3			138.6
JET 0	5000	87.5	89.5	90.4	92.1	93.8	95.9	97.6	99.8	102.9	101.0	90.0	100.6	98.5	95.6			139.4
DIAMETER RATIO	6300	87.0	90.9	91.8	93.4	95.9	97.3	97.9	100.4	103.3	100.7	89.9	99.7	98.1	93.9			139.9
DE/DH 1.00	8000	86.6	90.8	91.4	94.1	96.1	97.4	98.1	100.8	103.3	100.2	89.0	98.3	97.0	93.5			140.0
	10000	85.4	89.6	90.8	93.1	96.1	96.3	97.9	100.9	103.0	99.5	87.3	96.6	95.3	92.2			139.8
	12000	84.0	88.6	90.4	92.9	94.8	95.2	97.8	99.9	101.9	98.9	85.8	94.8	92.7	90.1			139.2
	16000	81.4	87.5	89.2	90.8	92.9	93.9	95.6	97.8	98.8	96.2	84.1	91.7	90.2	87.0			137.2
	20000	79.0	85.3	87.0	88.8	90.5	91.0	92.9	95.1	96.5	93.7	80.7	88.2	87.2	84.3			135.1
	25000	76.7	83.4	85.7	88.0	89.3	90.0	91.2	92.7	93.7	91.3	77.2	85.6	84.5	82.2			133.5
	31500	73.1	80.1	81.9	84.1	85.4	88.0	89.3	89.7	90.1	88.4	74.5	83.9	82.9	79.5			131.2
	40000	71.2	77.4	79.2	81.0	82.6	83.6	84.8	85.7	87.1	85.6	71.6	82.0	82.2	79.7			128.5
	50000	69.2	74.7	76.2	77.0	79.1	80.2	81.7	82.9	84.7	86.3	71.8	84.3	84.1	81.5			128.1
	63000	68.1	74.3	74.4	75.1	77.7	77.4	79.4	80.5	83.5	88.9	73.9	86.1	86.1	83.9			130.5
	80000	68.5	74.6	73.7	74.1	77.9	77.7	79.3	79.2	83.9	90.9	75.2	88.4	88.4	85.9			136.0
OVERALL MEASURED																		153.5
OVERALL CALCULATED		102.3	103.1	103.8	104.7	106.4	107.5	109.0	111.2	113.5	113.8	105.0	116.7	118.7	117.7			
PND8		114.1	115.2	115.7	116.6	118.3	119.6	121.1	123.1	125.7	126.1	116.9	127.2	127.3	128.8			



☆ 10 dB TOO LOW

ORIGINAL PAGE IS
OF POOR QUALITY

207

4-13

		MODEL SOUND PRESSURE LEVELS (59, DEG; F, 70 PERCENT REL. HUM, DAY - JENOTS)																				
		ANGLES FROM INLET IN DEGREES (AND RADIANS)																				
SPL INPUT AT STD		30.	40.	50.	60.	70.	80.	90.	100.	110.	120.	130.	140.	150.	160.	0.	0.	0.	PHL			
REV: ALPHA 12/73	FREQ.	(0.52)	(0.70)	(0.87)	(1.05)	(1.22)	(1.40)	(1.57)	(1.75)	(1.92)	(2.09)	(2.27)	(2.44)	(2.62)	(2.79)	(0.)	(0.)	(0.)				
NO EGA	50	65.6	65.8	66.4	65.7	66.5	66.6	67.1	67.8	68.9	70.8	73.8	76.5	80.6	81.4				113.8			
RUG: NO. 0	63	68.3	68.3	69.6	69.5	70.0	72.1	70.3	70.4	71.9	74.8	77.6	80.1	84.0	84.6				117.3			
RADIAL 40. FT.	80	69.9	70.9	71.5	70.6	70.5	70.9	72.8	73.8	74.8	77.1	80.7	83.6	86.5	87.6				120.0			
(12. M)	100	73.4	73.9	73.9	72.9	72.9	74.4	77.2	78.1	79.7	81.1	84.1	88.0	92.3	92.9				124.9			
VEHICLE JENOTS	125	76.2	75.2	74.7	75.2	74.9	77.7	80.4	80.4	82.2	84.2	86.9	90.6	93.5	94.5				126.8			
CONFIG JE-060	160	81.4	78.4	78.6	78.4	78.4	80.4	82.6	83.1	85.9	87.4	89.1	92.4	95.1	95.8				128.8			
LOC EVENDALE	200	81.0	80.5	78.5	79.3	79.5	81.3	82.5	84.0	86.0	89.8	92.8	96.4	99.0	99.5				132.1			
DATE 5-08-75	250	83.3	82.3	82.0	81.8	82.3	82.8	84.0	86.0	92.0	92.0	95.8	97.5	102.2	101.4				134.6			
RUN QRTF-MODEL 4	315	85.8	84.3	82.8	84.8	86.5	87.4	86.3	90.8	92.0	94.5	97.3	99.4	104.2	105.5				137.0			
TAPE X40210	400	82.9	83.4	83.8	83.6	85.4	85.2	87.0	89.3	91.5	94.6	95.3	100.5	103.7	101.6				136.0			
BAR 29.3 HG	500	84.6	83.8	84.1	83.3	83.7	84.9	87.2	88.7	91.2	92.7	95.4	102.9	105.3	101.3				137.1			
(99111. N/M2)	630	84.6	84.4	84.4	82.7	84.2	84.0	87.3	90.1	92.2	92.9	97.2	102.1	103.9	101.8				136.6			
TAMB 66. DEG F	800	83.4	84.1	84.4	83.8	85.0	85.0	87.1	90.6	92.0	95.0	97.7	100.5	101.2	101.9				135.7			
(292. DEG K)	1000	83.8	82.6	84.0	83.6	84.3	85.7	88.2	89.8	92.1	95.1	97.4	98.2	97.3	96.7				133.8			
TWET 54. DEG F	1250	81.7	82.7	83.4	83.8	84.7	85.2	87.9	89.9	91.7	94.9	97.8	99.0	95.7	93.7				133.7			
(285. DEG K)	1600	80.8	83.0	83.1	83.7	84.3	85.7	88.0	89.2	90.8	93.5	96.6	96.0	93.4	91.7				132.1			
HACT 0. GM/M3	2000	81.6	81.3	81.5	83.6	85.0	85.9	87.5	88.8	90.7	92.4	94.9	94.8	92.1	90.5				131.2			
(. KG/M3)	2500	80.0	81.8	81.7	81.9	83.1	84.7	86.4	88.6	90.0	91.8	93.0	92.2	88.9	88.5				129.7			
FREQ. SHIFT	3150	79.3	81.6	82.0	82.4	84.1	84.8	86.3	88.6	89.3	91.3	91.4	90.1	87.0	87.9				129.0			
JET 0	4000	78.4	81.7	82.4	83.8	84.6	86.5	88.1	89.4	90.5	91.4	90.0	88.0	84.5	83.2				129.1			
DIAMETER RATIO	5000	78.7	82.0	82.8	84.1	85.3	87.0	88.5	89.7	90.5	92.0	88.9	86.6	83.0	81.3				129.2			
DE/DM 1.00	6300	76.9	80.3	82.5	83.3	84.6	85.4	86.6	88.6	89.3	90.4	87.3	85.1	81.5	79.8				128.0			
	8000	75.7	79.7	81.5	82.7	83.2	84.0	84.7	86.9	88.4	88.8	86.4	83.4	81.1	80.3				126.9			
	10000	74.7	79.4	81.9	82.0	82.7	82.6	83.2	85.5	87.1	87.9	84.3	81.7	80.1	79.5				126.1			
	12500	73.3	79.8	82.4	83.4	82.8	81.5	82.1	84.4	85.9	88.2	83.4	80.6	79.5	79.2				126.0			
	16000	71.1	79.2	80.7	82.0	81.4	80.2	80.3	82.6	84.1	86.7	81.4	79.2	79.2	76.8				124.9			
	20000	68.9	76.5	78.2	79.0	78.3	76.7	77.6	80.1	82.0	83.7	78.9	76.6	76.9	75.2				122.6			
	25000	66.7	75.6	76.9	77.2	76.2	74.7	75.4	77.9	79.1	80.9	76.7	75.1	76.4	74.6				120.9			
	31500	64.3	72.3	73.4	74.3	72.4	71.9	72.5	74.7	76.1	78.3	74.2	73.1	74.4	72.3				118.6			
	40000	62.5	69.9	71.2	71.5	69.8	67.3	68.8	70.7	72.3	75.6	71.5	71.0	73.4	71.7				116.5			
	50000	62.7	66.5	68.0	68.0	67.2	65.0	67.0	68.2	68.7	76.8	72.1	72.8	74.6	72.5				117.0			
	63000	64.7	64.6	65.8	65.8	67.1	64.8	67.0	67.4	66.1	79.0	73.3	75.0	76.7	75.0				120.2			
	80000	66.3	64.4	64.0	64.5	68.3	66.4	68.4	67.9	65.0	81.5	75.3	76.8	78.3	76.0				125.1			
OVERALL MEASURED																						
OVERALL CALCULATED		94.9	95.4	96.1	96.5	97.3	98.1	99.7	101.8	103.6	105.6	107.6	110.3	112.3	111.4				146.3			
PND8		105.5	107.0	107.7	108.5	109.4	110.7	112.3	114.1	115.5	117.0	118.0	118.8	119.6	118.8							

208

41

SPL INPUT AT STD REV: ALPHA 12/73	FREQ.	ANGLES FROM INLET IN DEGREES (AND RADIANS)																		PHL
		30. (0.52)	40. (0.70)	50. (0.87)	60. (1.05)	70. (1.22)	80. (1.40)	90. (1.57)	100. (1.75)	110. (1.92)	120. (2.09)	130. (2.27)	140. (2.44)	150. (2.62)	160. (2.79)	0. (0.)	0. (0.)	0. (0.)		
NO EGA	50	70.3	70.1	70.9	69.9	70.7	71.3	71.4	72.5	73.4	75.1	78.3	81.0	85.3	87.7				110.9	
RUG: NO. 01	63	73.1	73.3	73.6	73.5	73.8	75.6	75.0	75.4	76.6	78.6	81.8	84.6	89.0	90.6				122.2	
RADIAL 40. FT.	80	75.1	75.2	76.5	75.4	75.0	75.4	77.6	77.8	79.3	81.9	85.5	88.4	91.5	93.4				125.1	
(12. M)	100	78.1	78.1	78.9	77.6	77.9	79.6	81.9	82.8	84.0	85.9	88.4	93.0	97.3	98.2				129.8	
VEHICLE JENOTS	125	81.4	79.7	79.9	80.2	79.9	82.4	84.6	85.4	86.7	89.2	91.7	95.3	99.0	99.8				131.9	
CONFIG JE-060	160	85.9	82.9	83.4	82.6	83.1	84.9	87.6	87.9	90.4	91.9	93.6	97.1	100.1	100.8				133.6	
LOC EVENDALE	200	86.0	85.0	83.0	83.5	84.0	85.8	87.0	88.3	90.5	93.5	97.1	100.9	103.0	103.5				136.2	
DATE 05-08-75	250	87.0	87.5	86.5	86.0	86.3	87.3	88.0	89.5	95.3	96.0	100.0	102.8	106.2	105.1				138.7	
RUN COTF-MODEL 4	315	89.3	87.3	86.8	87.8	89.5	89.4	88.8	93.3	94.0	97.0	101.0	103.6	108.7	108.5				140.7	
TAPE X40230	400	86.1	83.9	87.8	86.6	88.1	88.4	90.3	92.6	95.0	98.1	98.0	105.0	108.7	106.3				140.4	
BAR 29.3 HG	500	87.8	87.8	88.3	86.8	87.9	88.9	91.4	92.9	94.7	96.7	99.4	105.9	108.1	105.3				140.3	
(99111. N/M2)	630	88.1	87.9	87.9	86.4	88.2	87.8	91.1	93.4	95.9	97.4	100.7	105.3	107.6	104.6				143.1	
YANB 69. DEG F	800	86.9	87.9	87.6	88.0	89.8	89.3	90.9	93.9	95.8	99.3	101.4	104.0	104.2	103.4				139.0	
(294. DEG K)	1000	87.6	85.9	87.8	87.4	88.5	89.9	91.7	93.3	96.1	99.1	101.2	100.9	100.6	97.9				137.2	
TWET 55. DEG F	1250	85.7	86.4	87.4	87.8	88.5	89.2	91.4	93.4	94.9	98.4	101.3	102.2	97.7	94.9				137.0	
(286. DEG K)	1600	85.0	87.0	87.1	87.7	88.8	90.0	91.8	93.5	95.1	97.8	99.8	99.2	95.1	92.2				135.7	
HACT 0. GM/M3	2000	86.1	85.8	86.3	88.2	89.7	90.4	91.8	93.3	95.0	96.9	98.7	98.0	94.8	91.8				135.1	
(KG/M3)	2500	84.8	87.1	87.0	87.0	88.6	89.7	91.9	93.1	95.0	96.3	96.7	96.7	93.4	90.0				134.2	
FREQ. SHIFT	3150	84.6	85.9	87.3	88.2	89.1	90.3	92.0	93.9	95.3	96.6	96.9	95.1	93.1	90.6				134.4	
JET 0	4000	83.2	86.9	87.0	88.3	89.9	91.6	93.9	94.7	96.8	96.6	95.0	93.8	91.8	89.3				134.6	
DIAMETER RATIO	5000	83.0	87.0	87.1	88.8	91.3	93.3	95.0	96.3	98.1	97.7	95.2	94.1	91.5	89.6				135.7	
DF/DH 1.00	6300	82.7	87.9	88.5	90.3	92.6	93.7	94.7	96.1	98.0	97.7	94.6	93.7	91.6	88.6				135.9	
	8000	82.5	87.5	88.3	90.3	92.5	93.8	94.0	96.4	98.0	97.2	93.4	92.5	90.4	88.7				135.9	
	10000	81.8	88.5	89.3	90.6	92.0	92.4	93.0	96.3	97.9	96.4	92.9	90.8	90.2	88.8				135.7	
	12000	81.6	89.4	90.5	91.5	91.9	91.4	92.7	95.0	96.5	95.1	91.7	89.7	90.4	89.3				135.2	
	16000	78.8	86.3	88.8	89.4	90.1	89.8	90.9	93.4	95.0	93.1	89.3	87.3	87.1	85.2				133.8	
	20000	75.8	83.6	84.6	85.6	86.6	86.8	88.4	90.2	92.8	90.6	86.5	83.8	83.8	82.4				131.4	
	25000	73.3	81.8	83.3	84.4	84.6	85.1	86.8	88.5	89.5	87.6	83.8	81.0	82.6	81.0				129.6	
	31500	70.2	78.0	79.5	81.2	81.5	83.6	84.9	86.3	86.5	85.2	81.1	78.7	81.0	79.2				127.7	
	40000	67.9	75.1	76.8	78.4	78.4	80.2	81.9	82.8	83.2	82.0	77.7	76.1	81.3	77.0				125.4	
	50000	66.9	71.6	72.8	74.4	74.5	77.1	79.8	79.8	80.3	80.9	75.9	76.9	83.8	80.9				124.7	
	63000	67.0	68.2	69.4	70.6	71.4	75.9	77.9	77.9	77.6	81.8	75.1	78.6	85.8	83.3				126.4	
	80000	67.7	65.8	66.1	66.6	69.6	76.7	78.0	77.4	75.6	82.8	75.9	79.4	84.8					130.3	
OVERALL MEASURED		99.1	100.5	101.1	101.8	103.1	104.0	105.4	107.4	109.3	110.3	111.6	114.1	116.2	114.9				150.8	
OVERALL CALCULATED		110.3	112.2	112.5	113.3	115.0	116.3	117.9	119.5	121.4	122.1	122.7	123.2	123.9	122.4					

209

ORIGINAL PAGE IS
OF POOR QUALITY

SPL INPUT AT STD	30.	40.	50.	60.	70.	80.	90.	100.	110.	120.	130.	140.	150.	160.	0.	0.	0.	PWL
REV: ALPHA 12/73	FREQ. (0.52)	(0.70)	(0.87)	(1.05)	(1.22)	(1.40)	(1.57)	(1.75)	(1.92)	(2.09)	(2.27)	(2.44)	(2.62)	(2.79)	(0.)	(0.)	(0.)	
NO EGA	50	70.3	71.1	71.4	71.2	71.7	71.8	72.1	72.5	73.6	75.6	78.5	81.8	85.3				119.1
RUG: NO. 0;	63	73.6	73.8	74.1	73.7	74.5	74.6	75.3	76.4	76.9	79.1	82.3	85.6	89.0				122.7
RADIAL 40, FT.	80	75.6	76.1	76.5	75.9	75.8	76.4	78.1	78.6	80.6	82.9	86.5	89.9	92.5				126.4
(12, M)	100	78.6	78.4	79.4	78.4	78.1	79.6	82.4	83.6	84.7	87.4	89.9	94.0	98.0				130.7
VEHICLE JENOTS	125	81.4	80.4	79.9	80.2	80.2	82.7	85.9	85.9	87.7	89.7	92.7	96.6	100.0				133.1
CONFIG JE-060	160	86.1	83.4	83.4	83.1	83.1	85.9	88.1	88.1	91.1	92.4	93.9	97.4	100.1				134.0
LDC EVENDALE	200	86.3	84.6	84.0	84.3	84.5	86.5	87.5	88.5	91.0	93.5	97.6	101.4	103.5				137.0
DATE 65-08-75	250	88.5	88.0	87.0	86.5	87.3	87.8	88.5	89.8	95.5	96.3	100.5	103.5	106.4				139.1
RUN DBTF-MODEL 4	315	90.0	87.3	87.3	88.3	90.0	90.4	89.5	93.8	94.8	97.8	102.0	104.6	108.9				141.4
TAPE X40230	400	86.4	84.2	82.3	86.9	88.6	89.4	90.8	93.1	95.5	99.3	99.5	106.5	110.4				141.9
BAR 29.5 HG	500	87.3	87.6	89.3	87.3	88.2	89.9	92.4	93.7	95.4	97.4	99.4	106.4	108.1				140.6
(99448, N/M2)	630	86.6	88.2	88.2	87.2	88.4	88.8	91.6	94.4	96.7	98.7	102.2	106.3	108.4				141.2
TMR 69, DEG F	800	86.5	87.9	88.1	88.8	89.5	89.8	91.9	94.6	96.3	100.3	102.4	105.0	103.9				139.7
(294, DEG K)	1000	87.3	86.4	88.5	88.2	89.3	90.7	92.2	94.3	96.4	99.8	101.7	103.4	101.1				138.2
TWT 56, DEG F	1250	86.5	86.9	88.1	88.5	89.2	90.4	92.7	94.2	95.9	99.4	101.8	102.5	98.9				137.6
(286, DEG K)	1600	85.8	87.7	87.6	88.2	89.6	91.0	92.5	94.0	95.8	98.2	100.1	99.5	96.6				136.2
HACT 6, GM/M3	2000	86.6	86.8	86.8	88.9	90.2	90.6	92.3	93.8	95.5	97.6	98.9	98.5	95.8				135.5
(1, KG/M3)	2500	85.5	87.5	88.0	87.4	89.1	90.7	92.4	93.9	95.5	97.6	98.0	97.7	93.6				135.1
FREQ. SHIFT	3150	85.3	87.9	88.3	89.2	90.1	91.6	92.8	94.1	95.3	97.3	96.4	96.4	93.5				134.8
JET 0	4000	84.4	87.1	88.2	89.3	90.8	93.0	94.1	95.9	96.8	97.1	95.8	95.0	91.8				135.3
DIAMETER RATIO	5000	85.0	87.7	89.6	90.6	92.2	94.0	96.0	97.2	98.8	97.5	95.4	94.8	92.0				136.4
DE/DH 1.00	6300	84.9	88.5	89.9	91.6	93.1	94.6	95.1	97.6	98.5	97.9	94.5	94.1	92.0				136.5
	8000	84.4	87.9	90.2	91.2	92.9	93.8	94.4	97.1	96.7	97.1	93.8	92.9	90.6				136.3
	10000	84.4	89.1	90.6	91.4	92.4	93.0	93.4	96.9	98.6	96.3	92.5	91.7	90.9				136.1
	12500	84.7	89.8	91.6	91.8	92.2	92.2	93.3	96.1	97.6	95.4	91.6	91.0	91.5				136.0
	15000	82.3	87.9	89.6	90.2	90.9	90.1	91.5	94.3	95.5	93.2	89.3	88.1	88.1				134.4
	20000	79.6	84.9	86.4	87.4	87.5	87.1	89.3	91.5	92.9	90.9	86.8	85.1	84.9				132.1
	25000	77.1	82.6	84.3	85.7	85.2	85.7	87.6	89.1	89.8	87.6	83.9	81.8	82.1				130.1
	31500	73.5	79.1	81.1	82.6	82.3	83.9	85.2	86.4	86.6	85.0	80.7	79.0	79.1				127.9
	40000	70.5	75.7	77.7	79.2	78.8	79.6	81.5	82.4	83.0	81.3	76.8	76.2	75.6				125.0
	50000	67.5	71.5	74.0	75.0	74.2	75.0	78.7	79.4	79.4	80.6	74.0	75.6	74.1				123.1
	63000	66.5	68.0	69.9	70.3	70.9	70.6	76.9	77.7	76.7	80.8	74.4	77.6	75.0				123.7
	80000	66.7	64.5	65.8	65.6	68.6	67.4	77.5	77.7	74.1	83.1	75.1	78.6	76.1				127.3
OVERALL MEASURED																		
OVERALL CALCULATED		99.7	101.0	102.4	102.6	103.7	104.7	106.1	108.2	109.8	110.9	112.2	115.1	116.9				151.5
PNDB		111.1	112.8	113.7	114.3	115.6	117.1	118.7	120.3	122.0	122.7	123.0	124.1	124.8				

210

SPL INPUT AT STD REV: ALPHA 12/73	FREQ.	ANGLES FROM INLET IN DEGREES (AND RADIANS)																		PHL
		30.	40.	50.	60.	70.	80.	90.	100.	110.	120.	130.	140.	150.	160.	0.	0.	0.		
NO EGA	50	73.8	73.8	74.4	73.7	74.7	75.1	75.4	76.0	77.6	80.1	82.3	85.3	88.6	97.4				125.5	
RUG NO. 01	63	77.8	77.6	78.1	78.0	78.5	78.9	79.0	79.2	81.6	83.6	86.3	89.4	93.2	93.8				128.1	
RADIAL 40. FT. (12. M)	80	79.6	80.1	80.8	79.9	80.0	80.2	81.8	81.8	83.6	85.9	90.0	92.9	96.0	100.6				130.5	
VEHICLE JENOTS	100	83.6	83.4	83.9	82.6	82.9	83.9	87.2	87.6	89.0	90.4	93.9	97.8	102.3	105.9				135.8	
CONFIG JE-060	125	86.4	85.4	84.9	85.7	84.4	87.2	89.4	89.9	91.4	93.9	96.2	100.3	103.3	105.8				136.9	
LUC EVENDALE	160	91.1	88.6	88.6	88.4	88.4	89.9	92.6	92.4	95.1	96.9	98.4	102.1	105.1	107.3				139.0	
DATE 15-08-75	200	90.5	89.8	88.3	88.3	89.0	90.8	92.0	92.5	95.0	98.3	102.3	106.4	108.7	108.8				141.6	
RUN DBTF-MODEL 4	250	92.5	91.5	90.8	90.8	90.8	91.3	92.3	93.3	99.3	100.3	105.0	108.5	111.7	109.1				143.8	
TAPE X40250	315	93.3	91.5	90.8	91.8	93.3	93.9	92.8	96.5	97.3	101.3	106.0	108.6	113.2	112.5				145.2	
BAR 29.3 HG	400	90.4	88.9	92.5	91.4	92.6	93.2	95.0	97.1	99.3	103.1	104.5	110.0	114.2	110.8				145.6	
(99.43, N/M2)	500	93.6	93.6	93.6	91.8	93.7	94.6	97.4	97.9	99.9	102.2	105.4	111.6	113.6	111.3				146.0	
TAMB 72, DEG F	630	95.8	94.0	93.5	92.5	94.0	93.5	96.6	98.4	101.2	103.5	107.5	111.1	114.9	113.3				147.0	
(295, DEG K)	800	94.2	94.9	93.4	94.3	95.0	95.0	97.4	99.9	102.0	105.5	107.5	109.5	110.5	112.2				145.4	
THEI 56, DEG F	1000	95.1	91.6	93.0	93.2	94.0	95.7	97.9	99.3	101.9	105.3	107.5	106.7	108.4	107.2				143.8	
(286, DEG K)	1250	93.0	92.7	93.1	93.8	95.0	95.7	98.2	99.9	101.7	105.4	107.8	107.5	105.9	104.4				143.5	
HACT 1. GM/M3	1600	91.1	93.2	92.4	93.7	95.1	96.2	97.8	100.0	101.8	104.8	106.8	105.5	103.4	102.9				142.5	
(1. KG/M3)	2000	92.6	92.3	91.8	94.9	95.7	96.6	98.0	100.3	102.0	104.6	105.9	105.5	103.8	101.8				142.4	
FREQ. SHIFT	2500	92.1	93.1	93.3	93.0	94.6	96.2	98.0	100.2	102.5	104.3	104.8	104.7	103.7	103.8				142.0	
JET 0	3150	91.6	92.7	92.8	94.2	95.6	96.6	98.0	99.9	102.3	104.1	104.4	105.6	103.8	101.4				142.2	
DIAMETER RATIO	4000	89.7	91.2	91.7	93.3	95.1	97.1	98.6	100.2	102.8	103.4	104.1	104.3	102.8	100.0				141.8	
DE/DH 1.00	5000	89.8	91.0	91.4	93.9	95.1	97.1	99.3	101.6	104.1	103.5	104.0	104.4	102.5	98.6				142.2	
	6300	87.8	91.6	92.5	94.4	96.7	98.3	99.2	101.4	104.6	102.7	102.7	103.5	101.4	96.4				142.1	
	8000	87.8	91.1	92.4	94.8	96.8	97.9	99.3	102.0	104.1	102.0	101.2	101.3	99.0	95.2				141.6	
	10000	86.4	90.3	91.6	93.9	95.9	96.8	98.1	101.9	103.8	101.3	99.8	98.6	97.1	93.4				141.1	
	12500	84.5	88.6	90.4	92.1	94.8	95.7	97.8	100.6	101.6	99.4	97.6	96.3	94.5	90.4				139.8	
	16000	82.2	87.0	88.2	91.0	93.2	94.4	96.3	98.3	99.3	97.2	95.1	93.9	91.4	88.0				138.1	
	20000	79.2	84.5	86.2	88.8	90.8	91.5	93.9	95.9	97.0	94.2	91.9	90.7	88.2	84.3				136.0	
	25000	77.0	82.4	84.4	87.0	88.0	89.3	91.4	93.2	94.2	91.5	87.7	87.6	86.0	82.2				133.8	
	31500	74.8	79.1	81.2	83.4	84.4	87.0	88.3	90.2	90.6	88.9	85.8	84.6	83.9	79.8				131.3	
	40000	73.7	76.9	78.4	80.5	81.8	82.6	84.8	86.5	87.8	86.9	82.6	83.2	82.7	79.9				129.1	
	50000	73.7	74.9	75.9	77.7	78.9	79.7	82.2	83.1	85.4	87.8	83.1	85.8	84.9	82.0				129.2	
	63000	75.1	74.3	74.7	75.6	77.9	77.4	79.9	80.8	84.5	89.6	84.4	87.6	87.3	84.1				131.7	
	80000	76.7	74.8	74.1	74.6	78.6	77.2	79.3	80.2	84.6	92.1	85.9	89.7	89.2	85.9				136.4	
OVERALL MEASURED																				
OVERALL CALCULATED		105.1	105.2	105.4	106.4	107.9	109.0	110.8	112.9	115.1	116.3	118.1	120.1	122.3	121.1				156.7	
PND8		116.7	117.4	117.6	118.8	120.1	121.4	123.0	125.0	127.2	128.7	129.8	131.1	131.0	129.5					

ORIGINAL PAGE IS
OF POOR QUALITY

SPL INPUT AT STD	30.	40.	50.	60.	70.	80.	90.	100.	110.	120.	130.	140.	150.	160.	0.	0.	0.	PHL
REV: ALPHA 12/73	FREQ. (0.52)	(0.70)	(0.87)	(1.05)	(1.22)	(1.40)	(1.57)	(1.75)	(1.92)	(2.09)	(2.27)	(2.44)	(2.62)	(2.79)	(0.	(0.	(0.	
NO EGA	50	74.1	74.3	75.1	74.4	75.5	75.6	76.1	77.3	77.6	79.8	82.5	95.3	89.8	91.9			126.5
RUG: NO. 01	63	77.3	77.3	77.6	77.2	78.0	77.9	79.3	79.7	80.9	83.6	86.6	101.1	93.7	95.8			131.6
RADIAL 40. FT.	80	79.6	80.4	81.0	79.9	80.0	80.7	81.8	82.6	84.3	86.4	90.5	100.4	97.0	100.1			132.7
(12. M)	100	83.9	83.6	83.9	82.9	83.1	84.4	86.9	88.1	88.7	90.6	94.1	103.5	103.0	104.2			136.7
VEHICLE JENOTS	125	86.4	84.9	84.4	85.4	85.2	87.4	90.1	90.2	91.9	94.4	97.4	106.3	104.3	106.0			139.0
CONFID JE-060	160	91.1	88.4	88.6	88.4	87.9	90.1	92.6	92.9	94.6	96.9	98.9	106.6	104.8	105.8			139.8
LUC EVENDALE	200	91.5	89.8	88.5	88.8	89.5	90.5	91.8	93.3	94.8	97.8	102.3	108.6	108.2	109.9			142.2
DATE 5-08-75	250	93.0	92.5	91.3	90.8	91.0	91.5	92.8	93.8	99.5	100.8	105.8	110.0	111.9	108.1			144.3
RUN DATF=MODEL 4	315	94.0	91.8	92.0	92.8	93.5	93.9	93.0	97.5	97.8	101.8	106.5	112.1	113.9	112.5			146.4
TAPE X40250	400	91.1	89.7	97.5	91.4	92.9	93.2	95.5	98.3	99.3	104.1	105.3	113.5	116.4	111.1			147.7
BAR 29.5 HG	500	93.1	93.3	94.3	92.5	93.2	94.1	96.9	98.9	100.4	102.2	104.9	113.4	112.8	111.6			146.3
(99446, N/M2)	630	94.3	93.7	93.2	92.2	93.2	93.8	96.6	98.6	101.4	103.4	107.7	113.3	114.9	113.8			147.6
TAMB 69. DEG F	800	92.9	93.9	93.9	94.3	95.0	95.3	96.9	100.1	101.8	105.8	107.7	112.0	110.4	112.2			146.1
(294, DEG K)	1000	94.3	92.1	94.0	93.7	94.3	95.4	97.7	99.8	102.1	106.1	107.4	111.2	108.6	107.7			145.0
TKET 56. DEG F	1250	93.2	92.9	94.1	93.5	94.7	95.9	97.9	99.9	101.4	105.4	107.6	109.2	105.9	104.7			143.9
(286, DEG K)	1600	91.8	93.7	93.1	94.0	95.3	96.0	98.0	100.2	101.8	104.7	106.1	108.2	104.4	102.7			143.0
HACT 0. GH/M3	2000	93.1	92.8	92.5	95.1	96.0	96.6	98.0	100.3	101.7	104.4	105.4	104.0	103.8	102.0			142.8
(KG/M3)	2500	92.5	93.3	93.5	93.2	95.1	95.9	97.7	99.9	102.5	104.3	105.0	107.9	103.9	100.7			142.7
FREQ. SHIFT	3150	92.3	93.4	94.3	94.7	95.6	96.8	98.3	100.4	102.5	104.6	104.9	107.9	104.5	100.6			142.9
JET 0	4000	90.9	92.6	92.9	94.3	95.6	97.3	98.3	100.6	102.8	103.3	104.0	107.5	103.3	99.7			142.5
DIAMETER RATIO	5000	90.7	92.0	92.8	94.1	95.7	97.3	99.0	101.5	104.0	103.7	104.2	107.6	103.2	98.3			142.9
DE/DH 1.00	6300	90.4	92.3	93.7	93.6	96.8	98.1	99.3	101.6	104.2	102.9	102.8	106.6	101.8	96.5			142.6
	8000	89.6	92.2	93.9	95.4	97.4	98.3	98.7	102.6	104.7	102.1	102.1	103.9	99.6	95.3			142.3
	10000	88.4	90.9	92.6	94.7	96.6	97.5	98.4	102.2	104.0	100.8	100.0	101.4	97.8	93.0			141.5
	12500	86.5	89.5	91.9	93.6	96.0	96.2	98.5	101.1	101.6	99.4	98.3	99.3	95.2	98.9			140.4
	16000	84.3	87.6	90.1	91.9	93.9	94.9	97.0	99.0	100.0	96.9	95.1	96.6	92.1	88.0			138.8
	20000	81.9	85.9	87.9	89.9	90.9	92.1	94.5	96.3	97.1	93.9	92.6	93.6	89.1	84.9			136.5
	25000	79.4	83.3	85.8	87.7	88.9	89.4	91.3	93.8	93.8	90.9	88.4	90.0	86.4	82.1			134.0
	31500	75.5	79.8	82.3	84.3	84.8	86.4	88.5	90.2	89.8	87.5	85.2	86.8	83.8	79.0			131.1
	40000	73.2	76.7	78.9	80.7	82.0	82.3	84.3	85.9	86.5	83.3	81.5	83.7	81.6	78.9			128.2
	50000	69.5	72.2	75.0	76.5	78.2	78.5	80.5	82.4	83.2	81.3	81.3	85.1	83.6	81.0			127.0
	63000	68.0	67.7	70.4	72.6	76.6	75.9	78.1	79.9	79.7	82.3	82.9	86.8	86.0	83.6			128.8
	80000	67.7	64.5	65.6	67.6	77.3	75.9	78.0	78.7	76.3	83.3	84.9	88.9	88.4	85.3			133.1
OVERALL MEASURED																		
OVERALL CALCULATED		105.3	105.5	106.6	106.9	108.2	109.2	110.8	113.3	115.1	116.5	118.2	122.9	122.8	121.2			157.5
PND8		117.3	118.0	118.8	119.2	120.3	121.5	122.9	125.3	127.4	128.9	130.0	133.9	131.8	129.6			

212

Repeat of 425

SPL INPUT AT STD REV: ALPHA 12/73	ANGLES FROM INLET IN DEGREES (AND RADIANS)																		PHL
	FREQ.	30, (0.52)	40, (0.70)	50, (0.87)	60, (1.05)	70, (1.22)	80, (1.40)	90, (1.57)	100, (1.75)	110, (1.92)	120, (2.09)	130, (2.27)	140, (2.44)	150, (2.62)	160, (2.79)	0, (0)	0, (0)	0, (0)	
NO EGA	50	62.6	62.8	63.6	63.4	64.2	64.1	65.9	66.5	67.1	67.8	69.5	71.3	74.8	77.2				109.7
RUG: NO. 0,	63	65.1	65.3	66.1	66.2	66.8	67.9	68.5	68.9	69.6	70.6	72.1	74.6	78.7	81.3				113.0
RADIAL 40. FT.	80	66.9	67.4	68.5	68.1	68.0	68.2	70.3	70.8	72.1	73.6	75.5	78.6	81.3	85.6				116.2
(12. M)	100	68.9	69.9	70.6	69.9	70.1	71.4	74.2	75.8	76.7	77.6	79.6	83.3	87.0	87.2				120.5
VEHICLE JENOTS	125	71.4	70.4	70.4	71.7	71.9	74.4	77.6	78.2	78.7	80.9	82.9	86.1	90.0	92.0				123.4
CONFIG JE-060	160	76.1	72.6	72.9	74.9	75.1	77.4	79.8	79.6	82.4	83.6	84.4	87.6	90.8	92.8				124.9
LUC EVENDALE	200	76.8	76.0	75.3	75.5	76.5	78.0	79.8	80.5	82.0	84.3	85.6	87.9	90.7	93.8				125.3
DATE (5-08-75)	250	78.8	79.0	78.8	79.0	79.0	80.0	80.5	82.3	87.0	86.5	87.3	87.8	91.9	94.6				126.9
RUN DBTF-MODEL 4	315	81.3	80.0	79.3	80.3	81.8	82.4	81.5	85.3	85.0	85.3	87.5	88.1	92.4	96.5				127.7
TAPE X40320	400	77.6	75.7	79.8	78.6	80.4	79.9	81.5	82.8	83.8	86.1	84.8	90.0	93.7	92.6				126.8
BAR 29.5 HG	500	76.8	78.1	79.6	77.8	78.7	79.6	83.2	82.4	84.7	85.7	86.4	92.4	93.3	91.8				127.2
(99.48, N/M2)	630	77.6	79.4	80.4	78.4	80.2	80.3	83.1	84.1	84.9	85.4	86.9	90.3	91.9	92.6				126.8
TAMB 61, DEG F	800	78.4	79.9	79.9	80.3	81.0	81.3	82.6	84.1	85.3	87.5	89.4	90.8	90.7	91.7				127.1
(289, DEG K)	1000	79.3	78.9	81.3	81.1	82.5	82.4	83.7	84.8	85.6	88.3	87.9	90.2	89.3	87.2				126.7
THEY 52, DEG F	1250	79.0	79.4	81.6	81.0	81.7	81.7	83.9	84.7	84.9	86.9	88.3	89.0	88.2	84.2				126.0
(284, DEG K)	1600	79.0	80.9	81.1	81.0	81.8	83.0	84.3	85.2	85.3	86.7	87.6	88.7	85.9	82.4				125.8
HACI C. GH/M3	2000	80.6	80.3	80.3	81.9	83.2	83.3	84.0	85.6	85.7	85.9	87.1	88.0	84.3	82.3				129.7
(KG/M3)	2500	79.5	81.5	81.5	80.9	82.3	83.1	84.7	86.4	86.3	87.3	87.2	86.9	83.1	80.7				129.9
FREQ. SHIFT	3150	79.8	83.1	83.0	83.7	84.6	85.0	86.2	87.1	86.9	88.3	87.4	86.6	83.5	81.1				126.9
JET 0	4000	79.1	82.7	83.9	84.8	85.8	87.0	87.8	89.4	89.0	89.8	88.2	85.7	82.2	80.7				128.4
DIAMETER RATIO	5000	78.7	82.2	83.5	83.8	85.0	86.3	87.2	88.2	88.0	88.9	87.4	89.1	81.7	80.0				127.6
DE/DH 1.00	6300	76.9	81.2	82.7	83.0	84.5	84.9	85.1	86.8	86.5	87.6	86.0	83.4	81.3	78.8				126.4
	8000	76.4	81.7	82.9	82.6	82.9	82.7	82.6	84.6	85.4	86.5	85.0	82.1	80.5	79.5				125.3
	10000	76.1	81.1	82.1	82.6	83.1	81.7	81.6	83.4	85.2	87.0	84.0	80.8	80.0	79.6				125.2
	12500	75.4	82.4	84.1	83.3	82.7	81.2	81.4	82.6	84.2	86.1	83.2	80.7	80.1	79.8				125.3
	16000	74.3	81.8	82.3	81.6	81.8	79.5	80.2	81.4	82.9	84.8	82.5	79.5	79.8	78.9				124.5
	20000	73.0	80.8	81.5	80.6	79.6	77.0	77.6	79.4	81.3	83.0	80.7	78.7	79.0	77.8				123.3
	25000	71.2	79.7	79.7	79.1	77.1	74.6	75.4	77.2	78.7	80.3	78.0	76.9	77.5	76.9				121.7
	31500	67.6	76.1	76.4	75.6	73.4	72.3	72.3	75.0	75.7	77.6	75.5	74.1	75.2	73.8				119.3
	40000	64.3	72.8	73.3	72.3	70.6	67.4	69.1	71.0	72.1	73.9	71.1	70.0	71.2	70.5				116.5
	50000	60.8	68.6	69.1	68.6	66.5	64.1	67.1	68.8	69.0	71.7	67.7	67.9	68.2	67.1				114.4
	63000	57.6	64.3	65.4	64.4	62.9	60.4	66.7	67.7	66.2	71.4	65.4	67.9	67.3	64.9				114.5
	80000	55.3	58.6	59.7	59.2	60.2	58.0	67.6	67.8	64.2	72.9	65.3	69.5	67.8	64.4				117.6
OVERALL MEASURED																			
OVERALL CALCULATED																			
PND8		104.1	106.6	107.4	107.8	108.8	109.6	110.6	112.0	112.2	113.3	112.7	112.4	111.4	111.5				140.1

ORIGINAL PAGE IS
OF POOR QUALITY

213

415

SPL INPUT AT STD	30.	40.	50.	60.	70.	80.	90.	100.	110.	120.	130.	140.	150.	160.	0.	0.	0.	PWL
REV: ALPHA 12/73	FREQ. (0.52)	(0.70)	(0.87)	(1.05)	(1.22)	(1.40)	(1.57)	(1.75)	(1.92)	(2.09)	(2.27)	(2.44)	(2.62)	(2.79)	(0.)	(0.)	(0.)	
NO EGA	50	67.3	67.6	68.4	68.2	68.5	68.8	69.9	71.3	72.4	72.8	75.3	77.8	81.6	84.2			115.7
RUG. NO. 0.	63	70.3	70.3	71.6	71.0	71.8	71.9	73.0	74.2	74.4	76.3	78.6	81.6	85.5	88.1			119.3
RADIAL 40. FT.	80	72.9	73.1	74.3	73.4	73.8	74.2	75.3	76.6	77.1	79.1	82.0	85.4	88.5	91.9			122.6
(12. M)	100	75.4	75.6	76.6	75.6	75.6	76.9	79.9	81.3	82.0	83.6	85.4	90.0	94.3	95.4			127.0
VEHICLE JENOTS	125	78.2	76.9	76.9	77.4	77.4	79.9	82.9	83.4	84.7	87.2	88.9	92.6	96.3	98.3			129.6
CONFIG JE-060	160	82.9	79.6	79.9	80.6	80.6	82.6	85.6	85.6	87.9	89.4	90.9	93.6	97.3	98.8			131.0
LUC EVENDALE	200	82.3	81.5	80.5	81.3	82.0	83.3	84.8	86.3	87.8	90.5	91.8	94.9	98.0	101.5			132.3
DATE 05-08-75	250	84.3	83.8	83.0	83.0	83.8	84.8	85.5	86.8	92.0	91.3	93.3	95.3	99.2	100.1			132.8
RUN 08TF-MODEL 4	315	85.8	83.8	84.5	84.8	86.3	86.9	86.0	89.5	88.8	91.0	94.0	95.6	99.9	102.9			133.8
TAPE X40340	400	82.1	80.4	87.5	83.4	85.4	85.7	87.0	89.3	90.3	92.8	92.0	98.0	101.2	97.8			133.7
BAR 29.5 HG	500	82.6	83.8	85.8	84.5	85.7	86.4	89.2	89.9	91.2	92.7	94.9	99.6	100.3	97.6			134.2
(99448. N/M2)	630	83.3	85.2	86.2	84.9	86.7	86.3	88.8	90.4	92.2	93.2	95.7	99.6	99.6	99.1			134.4
TAMB 65. DEG F	800	83.9	85.6	86.4	86.8	87.8	87.5	88.9	90.9	92.8	95.9	97.7	98.5	97.7	96.9			134.4
(291. DEG K)	1000	85.6	85.1	87.3	86.4	88.0	88.4	90.4	91.1	92.9	96.3	97.2	98.2	95.6	93.2			134.1
TWET 54. DEG F	1250	85.2	86.4	87.3	87.3	88.2	88.7	90.9	92.2	92.7	96.1	98.1	98.2	94.9	91.7			134.3
(285. DEG K)	1600	85.3	87.2	87.1	87.2	88.6	89.7	91.3	92.5	93.3	96.0	97.1	97.0	94.1	90.7			133.9
HACT 0. QM/M3	2000	86.3	86.8	87.0	89.1	89.7	90.3	91.5	92.6	94.0	96.1	97.1	97.2	93.8	90.8			134.3
(KG/M3)	2500	85.8	88.0	87.7	87.4	89.3	90.2	92.2	93.1	94.8	97.1	96.2	96.4	92.9	90.2			134.3
FREQ. SHIFT	3150	85.8	83.4	88.5	90.2	91.3	92.3	92.7	94.1	95.5	97.8	96.6	96.1	93.8	90.8			135.1
JET 0	4000	84.6	80.6	88.9	90.8	92.6	93.5	94.8	95.9	96.9	98.3	96.0	95.2	92.7	90.7			135.8
DIAMETER RATIO	5000	85.2	90.0	89.8	91.8	93.5	94.3	95.5	97.0	98.0	99.9	95.9	95.6	93.2	90.8			136.9
DE/DH 1.00	6300	84.9	90.0	90.7	92.3	93.3	94.1	95.3	95.8	97.7	99.6	95.8	94.9	93.0	90.5			136.7
	8000	84.4	83.9	90.2	92.4	93.4	93.7	94.4	96.3	97.4	98.6	95.1	93.9	92.5	90.8			136.4
	10000	83.6	88.1	90.3	92.1	92.4	93.3	93.6	95.2	97.8	98.0	94.3	92.6	90.8	90.2			136.2
	12500	82.4	87.7	90.3	91.6	92.5	92.2	93.0	95.1	95.9	96.4	93.0	90.7	89.7	87.8			135.4
	16000	81.3	86.6	89.1	90.7	92.1	91.8	92.0	93.5	93.7	93.9	90.9	88.3	87.1	86.2			134.3
	20000	80.3	86.4	88.3	90.6	91.6	90.8	90.9	91.9	91.6	91.1	88.0	85.8	85.1	84.1			133.3
	25000	78.3	84.5	86.8	89.9	91.4	91.4	91.3	90.5	89.6	88.6	85.6	83.4	83.3	81.5			132.9
	31500	74.7	80.5	82.8	85.7	87.0	89.1	89.7	89.1	87.2	86.4	83.6	81.2	80.8	77.9			130.9
	40000	71.4	76.6	78.8	81.9	82.2	83.2	83.2	85.6	84.9	83.5	79.9	77.9	77.1	75.7			127.6
	50000	68.2	72.4	74.9	77.9	77.3	78.4	80.7	81.9	81.1	81.8	77.8	77.2	76.1	73.4			125.2
	63000	66.4	68.4	71.0	73.2	73.5	74.3	75.8	78.6	77.8	81.2	75.9	76.7	76.4	74.2			124.4
	80000	66.1	64.7	66.6	68.0	70.0	69.8	71.7	77.9	75.0	82.5	75.1	78.1	77.6	75.3			126.8
OVERALL MEASURED																		
OVERALL CALCULATED		97.9	100.4	101.6	102.8	104.0	104.5	105.9	106.8	108.0	109.6	108.8	109.8	110.2	110.1			148.5
PND8		110.3	112.8	113.3	114.4	115.8	116.6	117.9	119.2	120.9	122.4	121.2	121.6	120.4	118.8			

214

4.5

SPL INPUT AT STD REV: ALPHA 12/73	FREQ.	ANGLES FROM INLET IN DEGREES (AND RADIANs)															PWL		
		30.	40.	50.	60.	70.	80.	90.	100.	110.	120.	130.	140.	150.	160.	0.		0.	0.
		(0.52)	(0.70)	(0.97)	(1.05)	(1.22)	(1.40)	(1.57)	(1.75)	(1.92)	(2.09)	(2.27)	(2.44)	(2.62)	(2.79)	(0.)	(0.)	(0.)	
NO EGA	50	66.3	66.6	67.1	66.9	67.5	67.8	68.9	70.0	70.9	71.8	73.8	76.5	80.6	81.9				114.3
RUG: NO. 0	63	69.1	70.1	70.6	70.0	70.3	73.1	73.0	73.7	74.1	75.3	77.6	80.4	84.2	85.1				118.1
RADIAL 40. FT.	80	70.9	71.9	72.8	72.1	72.5	72.4	74.3	75.1	76.1	77.9	81.2	84.9	87.8	89.6				126.1
(12. M)	100	74.4	74.6	75.4	74.1	74.4	75.6	78.7	80.3	81.5	82.6	84.9	89.3	93.3	94.4				128.6
VEHICLE JENOTS	125	77.4	76.4	75.9	76.7	76.7	78.9	81.9	82.4	83.7	86.2	88.2	92.3	95.5	95.3				130.3
CONFIG JE-060	160	81.6	78.9	78.9	79.4	79.6	81.9	84.6	84.6	87.4	88.6	89.9	93.4	96.6	98.3				131.9
LUC EVENDALE	200	82.0	80.8	79.5	80.3	81.0	82.8	84.0	85.0	87.0	89.8	91.3	94.6	98.5	100.5				133.4
DATE 15-08-75	250	83.8	83.0	82.8	82.5	83.3	84.3	84.0	85.0	91.8	91.0	93.5	95.8	100.4	101.1				134.2
RUN CUTF-MODEL 4	315	85.3	83.5	82.5	84.0	85.5	86.2	84.8	88.8	88.8	91.3	94.0	95.1	100.7	103.5				133.2
TAPE X40360	400	81.9	79.9	83.5	82.4	84.4	84.2	85.8	87.8	89.3	92.1	91.5	97.3	100.7	99.1				133.8
BAR 29.4 HG	500	81.8	82.3	84.1	82.3	83.9	84.9	87.2	88.2	90.4	91.4	93.4	99.6	100.8	97.6				133.1
(9144, N/M2)	630	82.8	84.2	84.7	82.4	84.9	84.5	87.6	88.9	90.4	91.4	93.9	98.3	98.9	97.1				133.2
TAHS 66, DEG F	800	82.7	85.6	84.6	85.3	85.8	85.5	87.4	89.9	91.5	94.3	95.9	97.8	96.7	96.4				132.0
(292, DEG K)	1000	84.3	83.6	85.3	85.1	86.0	86.7	87.9	89.1	90.9	93.6	94.9	95.9	94.6	91.9				132.3
TWEI 54, DEG F	1250	84.0	84.7	86.1	85.5	86.5	87.2	88.9	89.9	90.7	93.1	95.6	97.0	93.2	89.4				131.9
(205, DEG K)	1600	83.3	86.2	85.9	86.5	87.1	88.2	89.0	90.5	91.1	92.7	94.8	95.5	92.4	88.5				132.0
HACT 0, GM/M3	2000	85.6	85.6	85.3	87.4	88.7	88.9	89.5	90.6	91.5	92.9	94.4	95.0	91.3	88.8				132.0
(KG/M3)	2500	84.5	87.0	86.7	86.4	88.1	88.9	89.9	91.4	92.3	93.6	93.5	94.2	90.4	88.2				133.0
FREQ. SHIFT	3150	84.8	87.9	87.8	89.4	90.6	91.1	92.0	92.6	92.5	94.3	93.6	93.6	90.8	90.4				134.3
JET 0	4000	84.4	88.2	88.9	90.3	92.1	93.0	93.8	94.9	94.5	95.9	93.8	92.8	90.5	88.7				134.8
DIAMETER RATIO	5000	85.0	89.0	90.3	91.8	92.8	93.8	94.3	94.7	95.3	96.5	93.7	92.8	90.2	89.1				134.4
DE/DH 1.00	6300	83.7	88.5	90.0	91.8	93.1	92.9	92.9	93.8	94.5	96.4	93.1	92.1	90.0	88.5				134.2
	8000	83.4	89.0	90.2	91.2	92.2	92.5	91.7	93.1	93.7	96.1	92.9	91.4	89.8	89.8				134.0
	10000	83.0	88.4	90.2	91.7	92.4	91.1	90.7	92.5	94.1	94.9	92.1	90.2	90.1	89.7				133.8
	12500	82.8	88.3	90.7	92.1	92.5	91.3	90.8	91.9	92.9	94.0	90.9	88.6	88.3	88.2				133.8
	16000	82.9	88.9	90.9	92.0	92.7	91.9	90.8	91.1	91.8	92.5	89.1	86.9	86.9	86.3				134.0
	20000	82.7	89.2	90.7	93.0	93.3	92.0	91.3	90.6	91.2	90.2	87.9	85.4	85.7	85.0				133.9
	25000	80.2	86.9	89.4	91.5	92.0	92.5	92.1	91.6	90.1	88.7	85.9	83.8	83.7	83.1				131.9
	31500	75.8	82.3	83.9	87.1	87.6	89.4	90.5	90.2	88.8	87.8	84.2	81.6	81.1	79.5				128.1
	40000	72.5	78.4	80.2	82.5	82.8	83.3	84.8	85.7	85.3	84.6	81.3	79.0	78.2	76.4				125.6
	50000	69.0	73.7	76.2	78.3	78.4	79.7	80.7	81.4	81.2	82.6	78.3	77.3	76.6	73.5				125.0
	63000	67.2	69.4	71.5	74.0	73.8	76.8	78.8	78.6	77.6	81.2	76.0	77.7	75.9	74.0				127.8
	80000	67.1	65.9	66.8	68.8	70.8	76.4	78.7	78.4	75.0	82.0	75.3	79.3	77.1	75.3				147.3
OVERALL MEASURED																			
OVERALL CALCULATED		97.3	100.3	101.5	102.8	103.6	103.8	104.1	105.0	105.8	107.2	106.9	108.6	109.8	109.9				
PNOB		109.4	112.0	112.8	113.8	115.0	115.7	116.5	117.7	118.1	119.7	118.9	119.7	118.7	118.3				

215

ORIGINAL PAGE IS
OF POOR QUALITY

SPL INPUT AT STD REV: ALPHA 12/73	FREQ.	ANGLES FROM INLET IN DEGREES (AND RADIANS)																PWL	
		30.	40.	50.	60.	70.	80.	90.	100.	110.	120.	130.	140.	150.	160.	0.	0.		0.
NO EGA	50	67.1	67.6	68.1	67.9	68.7	68.6	69.1	70.8	71.6	73.3	75.3	78.3	81.8	82.2				119.4
RUG. NO. 0.	63	70.3	70.6	70.9	70.5	71.3	72.6	73.9	73.9	74.9	76.6	79.1	82.1	85.5	85.8				119.0
RADIAL 40. FT.	80	72.9	73.9	74.5	74.4	73.5	73.9	75.3	76.1	77.8	80.6	83.5	86.6	89.8	90.6				123.1
(12. M)	100	76.1	76.1	76.6	75.9	75.6	77.1	80.2	81.3	82.7	84.1	86.6	90.5	94.3	95.2				127.2
VEHICLE JENOTS	125	78.7	77.7	77.4	77.9	77.4	79.7	82.9	83.4	84.7	87.4	88.9	92.8	96.0	97.0				129.3
CONFIG JE-060	160	82.9	80.1	80.4	80.4	80.6	82.9	85.8	85.4	88.4	89.9	90.9	93.9	97.1	93.3				131.0
LOC EVENDALE	200	82.3	82.0	80.3	80.5	81.5	83.5	85.0	85.8	87.8	90.5	92.6	95.9	99.2	101.3				132.7
DATE 05-08-75	250	84.5	83.8	83.5	83.3	84.0	84.8	85.0	86.8	89.5	92.3	94.5	96.5	101.4	101.4				134.2
RUN DBTF-MODEL 4	315	85.8	83.8	83.5	84.8	85.8	86.7	85.8	89.8	89.5	92.3	95.0	96.6	101.2	103.5				134.3
TAPE X40370	400	82.6	80.7	83.5	83.4	85.4	85.2	86.8	88.6	90.5	93.8	92.8	98.0	101.7	99.3				134.1
BAR 29.3 HG	500	82.3	83.3	83.3	83.8	85.4	86.4	88.4	89.4	91.2	92.9	94.4	99.9	100.6	97.6				134.3
(99.43, N/M2)	630	83.3	84.5	85.2	84.2	85.5	85.8	88.4	89.9	92.4	93.5	96.0	98.8	99.7	97.6				134.1
TAMB 72, DEG F	800	83.7	85.9	83.6	85.8	87.0	86.8	88.7	91.4	92.5	95.3	97.2	98.0	97.5	96.5				134.4
(295, DEG K)	1000	84.8	83.9	85.5	85.9	87.0	88.2	89.7	90.6	92.4	95.8	96.7	96.9	95.1	92.2				133.4
TWEI 56, DEG F	1250	84.0	84.9	86.4	86.0	87.5	87.7	89.9	91.2	92.9	95.6	97.1	97.2	93.2	90.2				133.5
(286, DEG K)	1600	83.3	86.0	86.2	86.5	87.6	89.0	90.0	92.0	93.1	95.0	95.8	95.5	92.1	88.2				132.9
HACT L. GH/M3	2000	85.1	85.3	85.5	87.7	88.5	89.6	90.5	92.1	93.5	95.4	95.7	95.3	91.6	89.0				133.1
(KG/M3)	2500	84.1	84.3	86.8	87.0	88.1	89.7	90.7	92.9	94.8	96.1	94.8	94.2	91.2	88.0				133.3
FREQ. SHIFT	3150	83.3	86.4	87.0	88.5	89.6	90.6	91.5	93.6	94.8	97.4	94.9	93.9	91.1	89.9				134.0
JET 0	4000	82.4	86.4	87.5	88.6	90.4	92.1	92.9	94.5	96.8	97.4	94.3	93.3	90.3	88.5				134.6
DIAMETER RATIO	5000	83.5	87.0	88.1	89.4	91.8	93.4	94.8	96.6	98.6	98.8	94.2	93.4	90.5	89.1				136.0
DE/DH 1.00	6300	82.8	87.6	89.0	91.4	92.7	94.3	94.9	96.4	99.3	98.5	94.4	93.0	90.6	87.9				136.4
	8000	82.3	87.1	88.9	91.1	92.8	93.7	94.3	97.0	98.8	98.2	93.2	91.3	90.0	88.0				136.3
	10000	81.6	86.8	89.8	91.4	92.6	93.3	94.6	97.4	98.8	96.8	92.8	90.4	88.8	87.2				136.4
	12500	80.7	87.6	90.4	91.4	92.3	92.0	94.6	97.1	97.8	95.7	91.8	89.0	87.7	87.4				136.1
	16000	79.4	86.0	89.7	90.8	91.2	90.9	92.3	95.1	96.1	93.7	89.4	87.2	87.2	86.5				134.9
	20000	76.7	83.5	87.2	88.5	88.3	87.7	90.4	92.9	93.7	90.7	87.2	84.7	83.7	82.5				132.8
	25000	73.0	80.2	83.4	84.8	84.3	85.3	87.7	90.2	90.4	88.3	84.2	82.1	80.5	78.9				130.3
	31500	69.8	76.9	79.2	80.9	80.9	83.0	85.3	86.5	86.1	83.4	81.8	78.9	77.9	75.8				127.6
	40000	67.5	73.7	76.7	77.7	78.6	78.4	81.6	83.0	82.8	81.6	77.6	76.0	75.7	73.4				124.8
	50000	66.0	70.7	72.9	74.5	74.4	74.9	78.9	79.9	79.7	80.3	75.6	76.0	75.4	72.2				123.3
	63000	66.3	67.5	68.9	70.6	71.2	70.9	77.9	78.3	76.7	81.4	75.4	76.9	76.8	74.1				124.2
	80000	67.0	65.3	65.9	66.6	69.6	68.7	78.3	78.5	75.1	82.6	75.4	78.7	78.7	75.6				127.7
OVERALL MEASURED																			148.2
OVERALL CALCULATED		96.8	99.0	100.5	101.6	102.8	103.6	105.0	107.1	108.7	109.0	108.0	109.1	110.3	110.0				
PNDP		108.7	111.0	112.0	113.2	114.6	115.9	117.1	118.9	120.9	121.7	120.1	120.1	119.0	118.2				

216

422

SPL INPUT AT STD REV: ALPHA 12/73	FREQ.	ANGLES FROM INLET IN DEGREES (AND RADIANS)																		PHL
		30. (0.52)	40. (0.70)	50. (0.87)	60. (1.05)	70. (1.22)	80. (1.40)	90. (1.57)	100. (1.75)	110. (1.92)	120. (2.09)	130. (2.27)	140. (2.44)	150. (2.62)	160. (2.79)	0.	0.	0.		
NO EGA	50	71.3	71.6	72.1	71.7	72.7	72.6	73.1	73.8	74.9	76.6	79.5	82.8	86.8	91.4				121.2	
RUG: NO.	63	74.3	75.3	75.1	74.7	75.8	75.4	76.8	77.2	77.9	80.3	83.3	87.4	91.2	92.6				124.3	
RADIAL 40. FT.	80	76.6	77.9	78.5	77.4	77.0	77.7	79.3	79.6	81.6	82.9	87.2	90.6	93.5	95.6				127.1	
(12. M)	100	80.9	80.6	81.1	79.9	80.1	81.9	83.9	85.1	86.5	88.1	90.9	95.0	99.5	100.4				132.1	
VEHICLE JENOTS	125	83.4	82.4	81.9	82.2	81.9	84.4	87.4	87.2	88.7	91.2	93.2	97.6	100.5	101.5				133.7	
CONFIG JE-060	160	87.9	85.4	85.9	85.4	85.4	86.9	89.8	89.6	92.1	93.1	94.9	98.9	101.8	102.1				135.3	
LUC EVENDALE	200	87.8	86.5	85.3	85.5	86.0	87.5	88.5	89.8	91.5	95.0	99.1	102.9	105.2	105.8				138.3	
DATE (5-08-75)	250	89.3	88.5	87.8	87.3	88.0	88.5	89.3	90.5	96.8	97.0	101.3	104.0	107.9	105.9				140.1	
RUN DBTF-MODEL 4	315	90.5	89.3	88.5	89.0	90.3	90.7	89.8	94.5	94.8	97.8	102.5	104.6	110.2	109.8				142.1	
TAPE X40410	400	87.9	85.9	89.8	88.1	89.6	89.7	91.8	94.1	96.3	99.3	99.0	105.3	109.7	107.1				141.3	
BAR 29.3 HG	500	89.1	89.3	90.3	88.3	89.4	90.9	92.7	94.9	96.4	97.7	100.2	105.9	107.8	106.1				140.6	
(99.43 N/M2)	630	89.6	89.5	90.5	88.5	89.7	89.8	93.1	94.9	97.2	98.7	102.5	105.6	108.2	106.3				141.1	
TANS 72. DEG F	800	88.2	89.9	90.4	90.3	90.8	91.0	93.4	96.1	97.8	101.0	103.0	104.5	104.7	103.7				140.1	
(295. DEG K)	1000	89.6	88.1	90.0	90.2	90.8	91.9	93.9	95.6	97.6	100.8	102.5	101.7	101.9	98.9				138.7	
TMET 56. DEG F	1250	88.2	88.9	89.9	89.8	90.5	91.7	94.4	95.9	97.7	100.6	102.6	102.2	98.7	95.9				138.4	
(286. DEG K)	1600	87.1	89.5	89.7	90.0	91.1	92.5	94.3	95.7	97.3	99.8	101.8	100.2	96.9	94.0				137.6	
HACT C. GM/M3	2000	88.6	88.8	89.0	91.2	92.0	92.9	94.8	95.8	98.2	99.6	100.4	100.0	97.1	93.8				137.3	
(: KG/M3)	2500	87.6	89.1	89.8	89.5	90.9	92.4	94.7	96.4	99.0	99.6	99.0	99.2	96.9	93.8				137.3	
FREQ. SHIFT	3150	87.1	89.2	89.3	90.7	91.6	93.1	94.5	96.1	98.6	99.6	99.4	98.6	96.8	95.4				137.7	
JET 0	4000	85.7	88.2	89.0	90.6	91.9	93.6	95.1	97.7	100.6	99.2	98.8	97.8	96.1	94.0				137.7	
DIAMETER RATIO	5000	86.0	88.3	89.4	91.1	92.6	94.6	96.6	99.3	102.4	100.0	98.7	98.4	96.0	93.9				138.8	
DF/LH 1.00	6300	86.0	89.4	90.5	92.6	94.7	95.8	97.2	99.7	102.3	99.7	98.2	98.0	96.1	93.1				139.1	
	8000	86.1	88.8	90.9	92.6	94.8	96.2	97.1	100.5	102.8	100.0	97.2	96.3	95.5	92.7				139.5	
	10000	85.1	89.6	91.8	93.4	94.4	95.3	96.9	100.9	102.5	99.0	96.5	94.6	94.6	91.9				139.5	
	12500	83.7	88.6	91.4	93.1	93.8	94.7	97.1	99.6	100.6	97.9	94.6	93.3	92.5	90.4				138.6	
	16000	80.7	86.0	88.5	90.8	91.9	93.4	95.1	97.6	98.8	95.7	92.6	90.4	89.4	87.0				137.0	
	20000	77.5	83.0	85.5	87.3	89.0	89.5	91.9	94.4	96.0	92.7	89.2	87.2	86.2	83.8				134.4	
	25000	75.0	81.2	83.7	86.0	87.0	87.5	90.2	91.9	92.9	89.8	85.7	84.9	84.5	82.2				132.4	
	31500	72.1	77.9	80.4	83.4	83.9	86.5	87.1	88.7	89.4	86.6	82.8	82.1	82.9	79.6				130.0	
	40000	69.7	75.2	77.9	79.5	81.6	82.1	83.6	85.0	85.8	83.4	79.6	81.7	81.9	79.9				127.5	
	50000	68.2	72.2	74.2	76.0	78.1	79.4	80.9	82.4	82.4	82.3	76.8	84.3	84.6	82.0				126.9	
	63000	67.8	68.3	70.2	71.9	77.4	77.2	78.9	80.0	79.5	82.4	75.7	86.1	86.3	84.1				128.4	
	80000	67.7	65.6	66.6	67.1	77.6	77.0	79.0	79.2	76.6	83.6	75.9	88.2	88.2	85.4				132.4	
OVERALL MEASURED																			152.7	
OVERALL CALCULATED		101.1	102.0	103.1	103.9	105.1	106.3	108.0	110.5	112.6	112.4	113.4	115.2	117.4	116.2					
PND8		112.7	114.1	114.7	115.6	117.0	118.2	120.0	122.3	124.2	124.5	125.0	125.4	125.8	124.3					

217

423

ORIGINAL PAGE IS
OF POOR QUALITY

MODEL SOUND PRESSURE LEVELS (59. DEG. F, 70 PERCENT REL. HUM, DAY - JENOTS)

SPL INPUT AT STD REV. ALPHA 12/73	FREQ.	ANGLES FROM INLET IN DEGREES (AND RADIANS)																PWL	
		30.	40.	50.	60.	70.	80.	90.	100.	110.	120.	130.	140.	150.	160.	0.	0.		0.
NO EGA	50	63.3	64.1	63.6	61.9	62.5	62.8	63.6	66.3	66.4	66.8	68.3	68.0	71.6	71.4				107.4
RDG. NO. 0.	80	64.9	65.6	66.5	65.4	66.0	66.4	67.3	69.1	69.6	70.4	72.5	70.1	70.6	74.2	74.3			109.6
RADIAL 40. FT. (12. M)	100	65.6	66.6	67.4	66.6	66.6	67.9	70.9	72.8	73.7	73.1	76.1	79.5	82.8	84.4				116.5
VEHICLE JENOTS CONFIG JE-060	125	67.9	67.4	67.4	68.4	68.2	70.9	73.9	74.4	75.4	75.9	79.2	82.3	85.8	86.5				119.1
LOC EVENDALE	160	73.4	70.1	70.1	71.4	71.6	73.4	76.1	76.1	78.6	78.4	80.6	83.4	86.6	88.1				120.7
DATE 05-08-75	200	74.5	74.5	72.8	72.8	73.8	75.3	76.5	77.5	79.0	80.5	83.1	85.9	89.2	92.3				123.4
RUN DBTF-MODEL 4	250	77.3	77.0	76.5	77.3	77.3	77.5	78.3	80.0	85.5	83.3	87.0	87.5	91.7	93.9				125.9
TAPE X40420	315	81.8	80.5	79.5	80.3	81.8	83.2	81.8	84.8	85.5	85.0	88.0	88.9	92.7	97.0				128.1
BAR 29.4 HG (99178. N/H2)	400	78.6	75.2	78.8	79.4	81.9	80.4	81.8	83.6	84.3	83.8	83.3	89.0	91.9	92.1				126.0
TAMB 73. DEG F (296. DEG K)	500	75.1	75.8	78.1	76.0	77.2	77.9	80.7	80.7	82.2	81.4	84.4	89.9	91.8	93.3				129.7
TWET 58. DEG F (288. DEG K)	630	76.1	77.5	79.2	77.7	79.7	78.8	80.9	81.9	82.9	81.2	85.2	89.3	91.9	94.3				126.2
HACT 0. GM/M3 (1. KG/M3)	800	77.0	79.4	78.4	79.8	80.3	78.8	80.4	83.1	83.5	84.5	88.0	89.8	90.7	93.0				126.3
FREQ. SHIFT	1000	78.8	77.4	79.3	78.7	79.5	80.7	82.2	83.1	84.1	84.1	86.7	88.7	89.4	89.4				125.3
JET 0	1250	77.2	77.7	78.6	78.5	79.2	79.7	82.2	81.9	83.4	84.1	87.6	89.7	89.2	86.4				125.2
DIAMETER RATIO	1600	76.5	78.2	78.1	78.0	79.1	80.2	81.5	82.2	83.1	83.5	87.1	88.0	86.1	83.7				124.2
DF/DM 1.00	2000	78.3	76.8	77.0	78.6	79.7	79.6	80.5	81.6	82.5	82.4	85.9	87.0	84.1	82.0				123.3
	2500	76.8	77.0	77.2	76.2	77.6	78.2	79.2	80.9	82.3	81.6	84.2	85.7	82.4	79.2				122.1
	3150	75.0	75.9	76.3	76.4	77.1	77.8	78.5	80.1	80.5	81.3	83.4	84.4	80.6	77.6				121.2
	4000	72.9	74.4	74.7	75.0	75.6	76.8	77.8	78.9	80.5	80.4	82.5	82.3	78.0	75.5				120.1
	5000	72.0	74.0	74.3	74.3	75.5	75.8	77.8	78.5	80.0	80.2	81.7	81.3	77.2	74.6				119.6
	6300	70.9	73.8	73.7	74.3	75.6	76.1	76.8	77.8	79.2	79.1	80.3	80.1	76.0	73.3				118.9
	8000	69.9	73.2	73.5	73.9	74.9	75.8	75.9	77.9	78.7	78.6	80.3	78.4	75.6	73.6				118.6
	10000	68.4	71.6	72.1	73.4	74.1	74.6	74.7	76.7	78.1	78.1	80.8	77.4	74.6	73.0				118.3
	12500	66.5	69.8	71.1	71.4	72.3	72.5	73.3	74.9	75.8	76.4	78.3	77.0	73.5	71.4				116.8
	16000	63.1	67.4	68.2	68.2	70.1	69.7	71.0	72.5	73.6	73.5	75.4	74.9	70.7	67.8				114.7
	20000	59.7	65.5	64.9	65.5	66.5	66.4	68.0	69.1	71.4	70.2	72.3	71.3	67.4	64.7				112.1
	25000	56.2	65.9	62.4	62.0	62.5	63.0	64.4	66.4	67.6	66.9	67.9	66.8	65.2	61.9				109.1
	31500	51.8	61.3	57.9	57.6	58.2	59.7	60.3	62.7	63.6	63.3	64.5	63.8	62.6	59.0				106.0
	40000	50.8	59.0	54.2	54.0	55.8	55.4	56.1	60.3	60.1	59.7	60.1	61.5	61.0	58.5				103.7
	50000	52.3	58.3	51.8	52.1	55.2	53.3	54.8	61.0	59.0	59.2	60.4	63.6	63.0	60.3				105.0
	63000	54.4	59.1	52.2	52.7	56.7	54.2	56.0	63.8	60.7	60.6	62.4	65.4	65.8	62.9				108.9
	80000	56.0	58.1	52.4	53.6	57.4	55.7	57.3	65.5	62.7	62.4	64.5	68.2	67.2	64.4				113.7
OVERALL MEASURED		89.3	89.5	89.9	90.1	91.2	91.6	92.7	94.1	95.4	95.2	98.0	100.0	101.5	103.2				137.1
OVERALL CALCULATED		100.7	101.2	101.5	101.7	102.6	103.2	104.2	105.8	106.8	106.8	109.2	110.6	109.5	110.5				

218

SPL INPUT AT STD REV: ALPHA 12/73	FREQ.	MODEL SOUND PRESSURE LEVELS (59, DEG; F, 70 PERCENT REL. HUM, DAY - JENOTS)														PHL		
		30.	40.	50.	60.	70.	80.	90.	100.	110.	120.	130.	140.	150.	160.			
		ANGLES FROM INLET IN DEGREES (AND RADIANS)																
NO EGA	50	61.1	61.0	61.9	61.7	62.2	62.8	63.4	64.5	65.1	65.3	66.5	68.8	71.6	74.4	107.2		
RUG: NO. 0	63	62.8	64.1	63.9	64.0	64.0	67.4	65.8	66.4	67.4	68.3	69.6	72.4	75.2	77.6	110.2		
RADIAL 40. FT.	80	63.9	64.9	65.8	65.4	65.8	66.2	67.8	68.3	69.8	71.1	72.7	76.1	78.5	81.9	113.3		
(12. H)	100	65.9	67.1	68.1	67.6	67.9	69.4	72.2	73.1	74.7	75.1	77.4	80.8	84.5	85.9	117.9		
VEHICLE JENOTS	125	68.9	67.9	67.9	69.4	69.4	71.9	74.6	74.7	75.9	78.4	80.2	83.8	87.0	89.5	120.7		
CONF IG JE-060	160	73.1	69.9	70.1	72.1	72.4	74.1	77.3	76.9	79.6	80.9	81.9	84.6	87.8	89.6	121.9		
LUC EVENDALE	200	75.0	74.5	72.8	73.3	74.3	76.0	77.0	78.3	79.5	82.5	83.6	86.4	89.0	92.8	123.7		
DATE 5-08-79	250	77.5	77.3	76.5	77.5	78.0	78.3	79.0	80.5	86.0	85.5	86.8	87.5	91.4	93.6	126.0		
RUN DBTF-MODEL 4	315	81.3	79.5	78.8	79.5	81.3	82.4	81.3	85.3	85.0	85.8	87.3	88.1	91.9	96.0	127.4		
TAPE X40430	400	77.4	74.2	77.3	77.6	80.4	79.7	81.3	82.3	82.5	84.3	83.5	89.0	91.7	91.3	125.5		
BAR 29.5 HG	500	75.1	75.8	77.1	76.3	76.9	77.9	81.9	81.2	82.7	83.2	84.7	90.1	91.8	91.8	125.6		
(99448, N/M2)	630	76.1	77.4	78.9	77.7	79.2	78.8	80.8	82.4	82.9	83.4	85.7	89.3	90.9	93.1	125.7		
TAMB 61. DEG F	800	77.2	78.4	78.4	79.0	79.8	78.8	80.4	82.6	83.5	86.0	87.7	89.5	89.9	92.2	126.0		
(289. DEG K)	1000	78.3	77.4	79.3	78.1	79.3	80.4	81.9	83.1	83.9	85.8	86.4	88.4	89.1	87.9	125.1		
TWEI 52. DEG F	1250	77.7	77.4	78.3	78.3	79.0	79.2	81.6	82.4	82.9	85.1	87.1	88.5	87.9	85.2	124.6		
(284. DEG K)	1600	76.5	77.7	77.4	77.7	78.8	79.7	80.8	82.0	82.6	84.0	86.1	87.7	84.9	82.4	123.6		
HACT 0. GH/M3	2000	78.1	76.8	76.5	78.4	79.0	79.6	79.8	81.3	82.0	83.1	85.1	86.0	83.6	80.3	122.7		
(1. KG/M3)	2500	77.0	77.5	77.7	76.4	77.8	78.4	79.4	81.1	82.0	83.1	84.0	84.9	80.9	77.7	122.0		
FREQ. SHIFT	3150	75.5	76.6	76.7	77.4	78.3	79.0	79.7	81.1	81.5	83.3	83.4	84.1	79.8	76.8	121.8		
JET 0	4000	73.4	75.6	75.9	76.3	77.3	78.8	79.6	80.6	81.0	82.3	82.7	81.7	77.5	74.4	121.0		
DIAMETER RATIO	5000	73.2	74.9	75.0	75.3	76.2	77.0	77.7	79.7	80.3	81.4	81.9	80.6	76.9	73.8	120.0		
DF/DH 1.00	6300	72.2	75.7	76.4	76.5	77.0	76.9	77.1	78.5	79.2	80.3	80.0	79.1	76.0	73.0	119.4		
	8000	72.1	76.9	77.2	76.4	76.6	76.7	75.9	77.8	79.1	80.3	79.8	78.1	76.0	74.8	119.4		
	10000	71.1	74.6	75.8	76.6	76.6	75.7	75.8	77.9	78.7	79.8	80.7	76.8	75.0	74.6	119.4		
	12500	69.9	73.9	77.1	76.5	76.4	75.2	74.7	76.1	76.7	79.1	80.7	76.2	74.9	73.0	119.1		
	15000	68.3	71.8	74.1	73.9	74.0	72.8	72.4	74.2	74.7	76.1	78.5	73.8	72.5	70.6	117.1		
	20000	64.3	70.1	70.8	71.1	70.3	68.5	69.6	70.7	72.5	73.3	74.4	71.2	69.8	67.8	114.4		
	25000	61.5	67.9	69.4	68.1	67.3	65.6	66.2	67.7	69.0	70.0	70.0	68.4	67.5	65.4	111.8		
	31500	57.3	64.4	65.2	64.6	63.2	62.8	62.8	64.0	64.7	66.9	66.3	65.6	64.9	61.6	108.9		
	40000	55.6	61.9	62.3	61.1	60.1	57.7	58.1	59.8	61.1	62.4	61.4	63.3	62.2	60.7	106.0		
	50000	54.6	58.3	58.6	58.3	58.0	55.6	56.6	57.0	57.0	61.2	57.4	64.6	62.7	60.8	105.4		
	63000	55.6	56.0	56.9	56.4	58.2	54.9	56.7	57.0	55.2	61.9	55.7	66.9	64.6	62.9	107.9		
	80000	56.8	55.6	55.2	55.4	59.4	56.3	58.1	58.0	55.2	63.7	55.8	68.5	66.5	64.2	112.2		
OVERALL MEASURED																		
OVERALL CALCULATED		89.4	89.8	90.4	90.4	91.4	91.8	92.9	94.3	95.3	96.6	97.9	99.7	101.1	102.7	137.1		
PNDB		101.0	101.7	102.0	102.3	103.2	103.8	104.8	106.2	106.9	108.4	109.1	110.2	109.1	109.9			

219

42

ORIGINAL PAGE IS
OF POOR QUALITY

SPL INPUT AT STD REV, ALPHA 12/73	FREQ.	ANGLES FROM INLET IN DEGREES (AND RADIANS)															PHL		
		30.	40.	50.	60.	70.	80.	90.	100.	110.	120.	130.	140.	150.	160.	0.		0.	0.
	50	60.3	60.3	60.9	60.7	62.5	62.1	62.9	63.5	65.1	65.8	68.3	70.8	73.8	75.9				108.2
NO EGA	63	62.6	63.1	63.4	63.5	64.8	65.6	65.3	65.4	66.9	68.8	71.3	74.6	77.5	79.6				111.5
RUG. NO. 0	80	64.1	64.9	65.5	65.4	66.5	66.4	68.1	68.3	69.6	71.4	75.0	77.9	80.8	83.9				114.9
RADIAL 40. FT.	100	67.6	67.6	68.4	67.4	67.9	68.9	71.7	73.6	74.5	76.1	78.6	82.5	86.5	86.9				119.2
(12. M)	125	70.7	69.7	69.4	69.4	69.7	72.4	74.6	75.4	76.9	79.7	81.9	85.3	88.3	90.5				121.9
VEHICLE JENOTS	160	76.4	72.4	72.1	73.1	73.1	75.1	77.3	77.9	80.9	82.4	83.9	86.9	90.1	91.1				123.7
CONFIG JE-060	200	77.0	75.8	74.0	74.3	74.5	76.8	78.0	78.8	81.0	84.5	86.8	90.9	93.5	95.5				126.9
LUC EVENDALE	250	80.3	79.8	79.0	79.3	79.3	79.5	80.8	82.8	89.5	89.5	92.8	93.8	97.7	98.4				131.0
DATE 05-08-75	315	84.5	82.3	81.5	82.3	84.0	85.4	84.3	88.3	89.3	92.0	94.0	95.6	99.9	103.0				133.8
RUN CATF-MODEL 4	400	83.6	78.9	84.5	84.6	86.6	85.4	87.5	89.8	90.9	92.6	92.0	97.3	100.4	100.1				133.6
TAPE X40460	500	79.1	78.8	80.1	78.8	79.4	80.4	83.4	84.2	86.2	87.4	89.7	97.1	99.3	97.3				131.5
BAR 29.5 HG	630	79.8	79.4	80.4	78.9	80.4	80.0	83.1	85.1	86.7	88.4	92.4	96.8	99.4	100.3				132.4
(99448, N/M2)	800	79.2	80.4	80.4	80.8	81.3	80.8	82.4	85.9	86.5	90.5	93.2	96.0	96.2	93.7				131.3
TANB 61, DEG F	1000	80.6	79.4	81.3	79.9	81.0	82.4	83.7	86.1	87.1	90.6	92.7	95.7	94.3	93.9				130.2
(289, DFG K)	1250	79.2	79.9	80.8	79.5	81.0	81.9	84.4	85.4	86.9	89.9	93.3	95.0	93.2	90.9				129.6
TWEI 52, DFG F	1600	77.8	79.4	79.6	79.5	80.6	82.5	83.8	85.7	86.6	89.0	92.6	93.2	90.9	87.7				128.5
(284, DFG K)	2000	78.6	78.1	78.0	80.4	81.2	81.8	83.5	84.6	86.5	88.1	91.1	91.2	87.8	85.5				127.2
HACI 0, GM/M3	2500	77.3	78.0	78.0	77.4	78.8	80.6	81.7	83.9	86.0	87.8	89.0	89.9	85.4	82.5				125.8
(, KG/M3)	3150	75.8	76.9	77.2	77.9	78.6	79.8	81.2	83.1	84.5	86.8	87.9	88.1	84.0	80.3				124.7
FREQ. SHIFL	4000	73.6	75.4	75.7	76.5	77.6	79.0	80.1	82.4	83.5	85.1	85.7	84.7	79.7	76.2				122.9
JET 0	5000	73.4	74.9	74.8	75.8	76.2	77.5	79.2	81.5	83.0	85.2	84.9	83.3	77.4	74.3				122.2
DIAMETER RATIO	6300	72.7	74.5	74.7	75.8	76.0	77.9	78.1	80.3	81.5	83.6	82.5	80.6	76.0	72.5				120.9
DE/DH 1.00	8000	71.4	73.7	74.7	74.9	75.9	76.5	77.4	79.3	80.4	82.3	80.8	78.6	74.5	72.0				119.9
	10000	70.1	73.1	73.6	74.6	75.6	75.0	75.8	78.1	79.5	81.0	79.7	76.1	73.0	71.4				119.1
	12500	68.4	71.2	74.1	73.8	74.4	73.9	75.2	76.8	77.7	78.6	78.5	74.4	71.6	70.5				118.0
	16000	65.3	69.3	70.6	70.6	72.0	71.5	72.4	74.7	75.4	76.3	76.0	72.8	69.5	66.6				116.0
	20000	61.8	67.3	67.3	67.8	68.8	67.8	69.4	71.2	73.0	73.3	73.2	69.4	66.8	64.6				113.5
	25000	58.0	64.2	64.9	65.1	65.1	64.1	65.9	67.7	69.5	70.0	68.7	66.9	65.0	62.4				110.6
	31500	54.1	60.4	61.2	61.1	60.5	60.9	61.8	63.3	65.2	67.4	65.0	64.4	62.9	59.6				107.5
	40000	53.1	57.0	57.8	57.3	57.6	55.4	57.6	58.8	61.4	65.9	61.6	63.0	61.7	59.7				105.5
	50000	54.1	55.3	54.8	54.3	57.0	53.8	55.6	56.0	60.3	67.9	61.4	65.1	63.7	61.6				107.2
	63000	55.6	55.0	54.2	53.4	57.9	53.9	56.2	56.5	61.4	70.1	63.2	67.4	66.3	64.1				111.0
	80000	56.8	55.6	54.4	53.4	58.9	55.8	58.1	57.5	63.2	71.9	65.0	69.0	68.0	65.2				115.7
OVERALL MEASURED																			
OVERALL CALCULATED		91.8	91.2	92.1	92.1	93.3	93.9	95.3	97.4	99.0	101.2	103.3	106.0	107.8	108.6				142.1
PND8		102.1	102.5	102.9	103.3	104.1	105.2	106.6	108.5	110.2	112.3	113.8	115.1	115.1	115.2				

220

42-

SPL INPUT AT STD REV, ALPHA 12/73	FREQ.	ANGLES FROM INLET IN DEGREES (AND RADIAN)																PWL	
		30. (0.52)	40. (0.70)	50. (0.87)	60. (1.05)	70. (1.22)	80. (1.40)	90. (1.57)	100. (1.75)	110. (1.92)	120. (2.09)	130. (2.27)	140. (2.44)	150. (2.62)	160. (2.79)	0.	0.		0.
NO EGA	50	63.1	63.0	64.4	64.4	65.2	65.6	67.1	68.8	68.1	68.3	70.8	72.5	75.3	83.9				112.9
RDG, NO. 0.	63	65.1	66.1	65.9	66.2	67.0	70.1	68.5	69.7	69.6	72.3	74.3	75.9	79.5	84.8				115.0
RADIAL 40. FT. (12. M)	80	66.4	67.4	67.8	67.9	68.0	68.2	70.3	71.6	72.3	73.6	76.5	79.4	82.3	86.9				117.2
VEHICLE JENOTS	100	68.6	69.6	70.4	69.1	69.9	71.6	73.7	75.6	75.7	77.1	79.9	83.8	87.3	89.9				120.9
CONFIG JE-060	125	71.9	71.2	70.7	71.4	71.2	74.2	76.9	77.4	78.7	80.9	82.9	86.6	89.0	90.8				122.9
LOC EVENDALE	160	78.9	75.1	74.9	75.6	76.1	77.6	79.6	79.6	82.4	84.1	85.6	88.6	91.1	92.3				125.3
DATE 05-08-75	200	79.3	78.8	77.3	77.5	78.3	79.0	81.0	82.3	84.3	88.8	92.4	95.4	96.7	97.0				130.4
RUN DBTF-MODEL 4	250	81.8	81.0	79.8	79.8	80.3	80.0	81.8	84.0	90.3	91.0	94.5	96.0	99.4	98.9				132.5
TAPE X40490	315	86.3	84.5	83.5	83.8	85.5	87.2	85.5	89.5	91.3	95.0	97.5	98.6	102.7	104.3				136.2
BAR 29.4 HG (99178, N/M2)	400	84.9	81.2	85.0	85.6	87.4	86.7	89.3	91.3	93.0	95.6	95.8	101.0	103.9	102.6				136.7
TAMB 73. DEG F (296, DEG K)	500	83.6	83.6	83.8	82.5	82.4	83.6	87.2	87.9	89.7	90.9	94.7	101.1	104.1	100.6				135.8
THET 58, DEG F (288, DEG K)	630	84.3	84.0	84.5	83.0	85.0	84.5	86.9	88.4	90.9	92.5	97.2	101.8	104.2	103.8				136.9
HACT 0, GM/M3 (, KG/M3)	800	84.2	84.9	84.1	84.3	84.5	84.3	85.7	88.9	90.5	93.8	97.2	99.8	101.5	104.5				135.9
FREQ, SHIFT	1000	84.8	83.1	84.3	84.4	84.3	85.7	87.7	89.6	91.4	95.1	97.7	99.2	99.6	100.4				134.9
JET 0	1250	83.2	83.9	84.4	84.0	85.0	85.4	88.4	89.7	91.2	94.4	98.1	100.2	98.9	97.7				134.7
DIAMETER RATIO	1600	81.8	83.5	83.4	83.5	84.8	86.2	87.5	89.2	90.8	93.8	97.1	97.0	95.9	95.0				133.0
DF/DH 1.00	2000	82.6	81.8	81.5	84.1	85.7	86.4	87.5	89.3	91.5	93.6	95.7	96.3	93.8	94.0				132.3
	2500	80.8	81.5	82.2	81.7	83.1	84.4	85.9	88.9	90.8	93.1	93.2	94.4	90.9	90.7				130.7
	3150	79.3	80.4	81.0	81.7	82.6	83.1	85.3	87.6	89.3	92.3	92.7	92.4	89.6	87.9				129.5
	4000	78.9	78.4	78.7	79.8	80.9	82.5	84.3	86.4	88.8	90.9	90.8	89.3	85.8	83.2				127.8
	5000	76.0	77.2	77.3	78.8	80.2	81.5	84.0	86.0	88.3	90.2	89.7	87.8	83.7	80.1				127.0
	6300	75.9	76.8	77.4	78.3	79.8	80.9	82.6	85.1	86.5	88.9	88.1	85.6	81.3	77.5				125.7
	8000	73.4	75.2	76.0	77.2	78.4	80.3	81.2	83.9	85.9	87.1	86.3	83.4	79.1	75.3				124.5
	10000	72.4	74.1	74.9	75.7	77.4	78.6	79.7	82.5	84.6	85.8	84.8	80.4	76.6	73.2				123.4
	12500	69.7	72.0	72.6	73.9	75.5	77.0	78.5	81.1	82.8	83.7	82.6	78.5	74.5	72.1				121.9
	16000	66.4	69.4	70.2	70.7	72.9	74.2	76.0	78.3	80.1	81.2	80.1	77.2	72.2	69.3				119.7
	20000	62.7	66.2	66.4	67.5	68.7	70.4	73.0	75.1	77.2	77.7	76.6	74.1	69.6	66.7				116.9
	25000	60.2	63.1	63.9	64.2	65.5	67.2	69.1	71.4	73.1	74.4	72.2	72.1	70.2	66.6				114.0
	31500	57.3	59.3	59.7	60.3	61.7	63.7	65.5	67.2	68.1	71.8	69.5	70.1	69.4	65.8				111.4
	40000	57.5	59.2	58.7	58.5	60.8	60.1	61.8	63.2	64.1	71.4	68.1	69.8	70.2	67.0				111.0
	50000	60.3	60.3	59.3	59.3	62.2	61.0	62.8	62.5	60.8	74.4	69.7	72.6	73.0	69.6				114.2
	63000	63.1	62.3	61.4	61.4	63.0	65.5	64.9	64.8	61.7	77.4	72.4	75.4	75.6	72.7				118.9
	80000	64.5	63.3	62.1	62.4	66.4	65.2	66.8	66.8	63.2	79.4	74.5	78.0	77.0	74.7				123.8
OVERALL MEASURED		94.9	94.5	94.8	95.0	96.1	96.8	98.6	100.7	102.7	105.3	107.6	110.1	111.8	111.8				146.0
OVERALL CALCULATED		105.4	105.7	106.2	106.6	107.7	108.5	110.3	112.6	114.6	117.0	118.2	119.3	119.8	119.1				
PNOB																			

221

42

ORIGINAL PAGE IS
 OF POOR QUALITY

		ANGLES FROM INLET IN DEGREES (AND RADIANS)																PWL		
		30.	40.	50.	60.	70.	80.	90.	100.	110.	120.	130.	140.	150.	160.	0.	0.	0.		
SPL INPUT AT STD		(0.52)	(0.70)	(0.87)	(1.05)	(1.22)	(1.40)	(1.57)	(1.75)	(1.92)	(2.09)	(2.27)	(2.44)	(2.62)	(2.79)	(0.)	(0.)	(0.)		
REV, ALPHA	12/73	FREQ.																		
	NO EGA	50	69.6	67.8	66.6	67.9	67.5	69.1	69.4	70.5	72.1	73.8	74.0	75.5	78.6	80.9				114.0
	RDG, NO. 0.	63	69.8	69.8	69.1	70.0	69.8	72.6	71.0	71.2	73.4	75.8	76.8	79.4	82.5	83.8				116.8
	RADIAL 40. FT.	80	70.4	70.4	71.0	70.6	70.0	70.9	72.3	73.3	75.3	77.4	79.5	82.4	85.0	86.9				119.1
	(12. M)	100	72.6	72.6	73.1	72.1	72.1	73.9	76.7	77.8	79.5	80.4	82.9	86.5	90.3	91.7				123.5
	VEHICLE JENOTS	125	75.7	73.7	73.4	73.7	73.9	76.9	79.1	79.4	80.9	83.4	85.4	89.1	92.3	93.3				125.6
	CONFIG JE-060	160	80.9	77.1	76.9	77.4	77.4	79.1	81.8	81.9	84.4	86.4	88.1	90.6	93.3	94.8				127.5
	LOC EVENDALE	200	80.8	79.3	77.8	78.3	78.8	80.5	81.8	83.0	85.5	89.0	92.3	95.4	97.5	98.8				131.1
	DATE 65-08-75	250	83.0	81.5	80.5	80.8	81.0	81.5	83.5	84.5	91.3	91.5	94.8	96.3	99.9	99.4				133.0
	RUN DBTF-MODEL 4	315	86.0	83.5	82.5	83.3	85.5	86.7	85.3	90.5	92.0	94.5	97.3	98.1	102.4	103.5				135.8
	TAPE X40510	400	82.6	79.9	84.5	83.9	85.6	85.4	87.5	89.3	92.0	95.1	95.5	101.0	103.9	102.3				136.4
	BAR 29.4 HG	500	83.3	83.3	83.6	82.0	82.4	83.6	86.2	86.9	89.2	91.2	94.2	101.4	103.1	100.1				135.3
	(99178, N/H2)	630	83.3	83.5	83.5	81.7	84.0	83.8	86.6	88.6	91.4	92.7	96.7	101.1	103.9	101.3				116.7
	TAMB 73, DEG F	800	83.2	84.2	83.6	83.5	83.8	83.8	86.2	89.1	90.8	94.3	97.0	99.8	101.2	103.0				135.5
	(296, DEG K)	1000	83.8	81.9	83.5	83.2	84.0	85.4	87.4	89.1	91.4	94.8	97.2	98.2	98.6	97.9				134.0
	TWET 58, DEG F	1250	82.2	81.9	82.9	83.0	84.2	84.7	87.4	88.9	90.9	93.9	97.3	99.0	96.9	95.7				133.6
	(288, DEG K)	1600	80.8	82.5	82.1	83.0	83.8	85.2	87.0	89.0	90.3	93.0	96.3	96.0	94.4	93.5				132.1
	HACT 0: GM/M3	2000	81.6	80.8	81.0	83.4	84.5	84.6	86.3	88.3	90.2	92.4	94.7	94.0	92.3	92.3				130.9
	(, KG/M3)	2500	79.5	80.5	81.5	80.7	82.3	83.4	85.4	87.9	90.0	91.3	92.2	92.4	89.4	89.5				129.4
	FREQ. SHIFT	3150	78.5	80.4	80.8	81.2	82.6	83.6	85.3	87.1	88.5	91.1	91.4	90.4	87.8	87.1				128.5
	JET 0	4000	76.6	79.7	80.7	80.8	83.1	84.5	85.6	87.4	88.5	89.9	89.5	87.3	83.5	81.5				127.5
	DIAMETER RATIO	5000	76.0	78.2	80.3	79.6	81.5	83.3	85.0	87.0	88.5	89.7	88.2	84.8	80.7	78.3				126.8
	DF/DM 1.00	6300	73.7	78.5	78.9	79.8	80.8	81.6	83.3	85.1	86.5	87.6	85.8	82.9	79.3	76.5				125.1
		8000	73.6	76.9	78.2	78.4	79.7	80.3	80.9	83.6	85.2	85.6	83.6	80.4	78.1	76.1				123.6
		10000	71.9	76.6	78.1	78.4	78.9	79.1	79.7	82.2	83.8	84.6	82.1	78.9	77.1	76.2				122.8
		12500	70.2	76.8	77.9	77.9	78.5	77.5	78.3	80.4	82.1	83.4	80.3	77.5	76.5	74.9				121.9
		16000	68.1	74.9	76.7	76.2	76.6	75.4	76.3	78.8	80.1	81.0	78.1	75.9	74.9	72.0				120.3
		20000	64.9	73.2	74.2	74.2	74.0	71.7	73.5	75.8	77.4	78.4	76.1	73.6	72.9	70.2				118.3
		25000	62.4	71.6	72.9	73.0	71.2	69.5	70.6	72.9	73.9	76.2	73.2	72.1	72.4	70.1				116.4
		31500	59.0	68.9	69.9	69.4	67.7	67.0	67.0	69.2	70.4	73.3	71.0	70.6	71.4	68.0				114.1
		40000	56.3	65.2	66.0	66.5	65.3	63.1	63.6	65.0	66.4	71.9	68.8	69.8	70.2	68.0				112.5
		50000	54.8	63.3	63.5	64.1	64.2	62.0	63.6	62.7	63.0	74.7	70.2	72.9	73.0	69.8				114.7
		63000	56.4	62.8	62.4	62.9	65.0	63.0	64.9	64.0	62.2	77.4	72.2	75.6	75.6	72.9				118.8
		80000	57.0	63.1	62.4	62.6	66.4	65.0	67.1	65.5	62.9	80.7	74.2	77.2	77.2	74.7				124.2
	OVERALL MEASURED																			
	OVERALL CALCULATED		94.4	94.2	94.8	94.7	95.9	96.7	98.4	100.4	102.6	104.9	107.1	109.6	111.5	110.9				145.5
	PNDB		104.8	105.7	106.3	106.5	107.9	109.0	110.5	112.4	114.3	116.3	117.4	118.1	118.8	118.1				

222

4-78

MODEL SOUND PRESSURE LEVELS (59, DEG F, 70 PERCENT REL. HUM. DAY - JENOTS)

SPL INPUT AT STD REV: ALPHA 12/73	FREQ.	ANGLES FROM INLET IN DEGREES (AND RADIAN)																PHL	
		30, (0.52)	40, (0.70)	50, (0.87)	60, (1.05)	70, (1.22)	80, (1.40)	90, (1.57)	100, (1.75)	110, (1.92)	120, (2.09)	130, (2.27)	140, (2.44)	150, (2.62)	160, (2.79)	180, (3.14)	270, (4.71)		360, (6.28)
NO EGA	50	74.6	74.3	75.1	74.9	75.5	75.1	76.1	76.8	78.6	80.1	83.0	86.5	90.3	98.9				126.9
RUG. NO. 0	63	78.8	79.1	78.9	78.7	78.8	79.4	79.5	79.7	82.9	84.8	87.1	92.6	95.5	101.3				130.4
RADIAL 40 FT. (12. M)	80	80.9	81.4	81.8	80.9	80.3	81.2	82.6	83.1	84.6	86.9	91.0	94.4	97.5	102.9				132.2
VEHICLE JENOTS	100	84.6	84.4	85.1	84.1	83.9	84.9	87.7	88.3	90.8	91.4	94.6	98.8	103.0	107.4				136.9
CONEIG JE-060	125	87.4	86.2	85.7	86.4	85.4	87.9	90.6	90.4	91.9	94.7	97.2	101.6	104.8	107.8				138.4
LUC EVENDALE	160	92.4	89.6	89.4	89.4	89.6	90.6	92.8	92.9	95.9	97.4	99.4	103.1	106.8	109.1				140.3
DATE 5-08-75	200	91.5	90.5	88.8	88.8	89.5	91.3	92.5	93.5	95.5	99.3	103.6	108.1	110.2	111.0				143.2
RUN DBTF-MODEL 4	250	93.0	92.9	91.3	91.0	91.3	91.5	93.0	94.0	100.0	101.5	106.0	110.0	113.2	110.4				145.1
TAPE X40520	315	94.3	92.3	91.8	93.0	94.3	94.7	93.5	97.5	98.3	102.8	108.3	111.1	115.4	113.8				147.2
BAR 29.3 HG (99043, N/M2)	400	92.4	90.7	94.0	92.1	93.9	94.2	96.0	98.6	100.5	104.1	107.0	112.0	116.2	112.3				147.5
TAMB 72 DEG F (295, DEG K)	500	96.3	95.6	95.3	93.5	94.7	95.9	98.4	99.7	101.4	103.4	107.7	114.9	117.1	114.6				149.0
THEI 56, DEG F (286, DEG K)	630	98.8	96.7	96.5	94.0	95.2	94.8	98.1	100.1	102.4	104.7	109.7	115.1	119.4	116.8				150.7
HACT 1.00	800	97.5	96.7	96.4	95.8	96.3	96.8	98.4	101.6	103.5	107.3	110.0	113.3	115.5	116.7				149.1
FREQ. SHIFT	1000	98.3	94.4	95.3	95.2	95.8	96.9	98.9	101.1	102.9	106.8	109.7	110.2	113.4	112.2				146.9
JET 0	1250	95.2	94.9	94.9	94.8	96.0	97.2	99.4	100.9	103.2	106.6	110.1	110.5	109.9	109.4				146.0
DIAMETER RATIO DF/DH 1.00	1600	93.1	94.7	93.9	95.0	96.3	97.2	99.5	101.2	103.1	106.0	108.3	108.0	107.4	106.2				144.5
OVERALL MEASURED	2000	94.3	93.3	93.0	95.9	96.5	97.6	99.0	100.8	103.0	105.4	107.4	107.3	106.8	104.3				143.9
OVERALL CALCULATED	2500	92.8	94.1	94.0	94.0	95.4	96.4	98.5	100.7	103.0	105.6	105.5	106.7	105.2	102.3				143.1
PNDB	3150	92.3	93.4	93.3	95.0	96.1	96.8	98.3	100.4	102.8	104.6	105.2	105.9	105.3	101.9				142.8
	4000	90.7	91.9	93.0	94.3	95.6	97.1	98.6	101.0	103.3	103.9	104.6	105.3	104.1	101.0				142.5
	5000	90.3	92.0	91.9	94.4	96.1	97.1	99.1	101.6	104.1	104.0	104.2	105.1	103.0	99.4				142.5
	6300	89.3	92.6	93.3	95.6	97.2	98.5	99.4	101.7	104.6	103.0	102.7	103.7	101.4	96.6				142.3
	8000	88.3	92.1	92.9	95.3	96.8	97.7	99.1	102.3	104.8	102.0	101.7	101.8	99.2	96.0				142.0
	10000	86.9	90.3	91.3	94.4	96.6	97.3	98.9	101.9	103.8	101.0	100.0	99.4	97.6	93.9				141.3
	12500	84.2	89.1	90.4	92.9	95.3	95.7	98.6	100.6	102.1	99.9	98.1	97.0	95.0	92.4				140.2
	16000	81.9	87.5	89.0	91.8	93.4	94.9	97.1	99.1	99.8	97.5	95.4	94.4	92.4	89.3				138.7
	20000	79.5	84.8	86.5	89.0	90.5	91.7	94.1	95.9	97.2	94.5	92.2	91.7	90.2	87.0				136.2
	25000	77.2	82.9	84.7	87.3	88.3	89.5	91.9	92.9	94.2	91.8	88.2	90.9	90.7	87.9				134.3
	31500	74.8	79.6	81.2	84.1	84.9	87.2	88.6	89.7	90.6	88.9	85.8	89.9	90.2	86.6				132.1
	40000	74.2	77.2	78.2	81.0	82.1	82.9	84.8	85.7	87.6	86.6	82.6	90.2	90.7	88.9				130.8
	50000	73.7	75.2	75.2	77.7	79.4	79.7	81.7	82.9	84.7	87.8	82.8	93.5	93.1	90.7				132.5
	63000	76.1	74.8	74.7	75.6	78.4	77.2	79.2	80.8	84.5	90.6	84.4	95.9	96.1	93.6				136.4
	80000	77.2	74.8	74.4	74.9	78.6	77.2	79.3	79.7	84.4	92.6	86.4	97.7	98.2	93.6				141.3
																			158.9

223

429

ORIGINAL PAGE IS OF POOR QUALITY

SPL INPUT AT STD REV: ALPHA 12/73	FREQ.	ANGLES FROM INLET IN DEGREES (AND RADIANS)															PNL
		30.	40.	50.	60.	70.	80.	90.	100.	110.	120.	130.	140.	150.	160.		
NO EGA	50	68.8	68.0	68.9	68.9	69.5	70.3	70.6	71.5	73.1	75.8	77.0	79.3	82.8	93.9	121.5	
RUG. NO. 0	63	71.6	72.1	72.9	72.5	73.0	73.9	74.0	75.2	75.6	78.3	82.1	84.1	88.0	95.1	123.7	
RADIAL 40. FT.	80	74.1	74.6	75.3	74.4	74.0	74.4	76.3	76.6	78.1	80.4	84.2	87.1	90.3	96.1	125.4	
(12. M)	100	77.6	77.6	78.1	76.9	76.6	78.1	80.7	81.8	83.2	84.6	87.4	91.5	95.8	100.4	129.9	
VEHICLE JENOTS	125	80.4	79.2	78.7	79.4	79.2	81.4	83.6	84.2	85.4	88.2	90.4	94.3	97.5	100.3	131.2	
CONFIG JE-060	150	86.1	81.9	82.6	82.6	82.8	84.8	86.1	86.1	89.1	90.9	92.4	96.4	99.3	101.6	133.2	
LUC EVENDALE	200	85.5	84.0	83.3	82.8	82.8	84.8	86.0	87.3	89.5	92.8	96.6	99.6	103.0	104.3	136.0	
DATE 5-08-75	250	87.3	86.3	85.0	85.0	84.8	86.0	86.5	88.0	94.5	95.3	99.3	102.0	105.9	105.6	138.4	
RUN DBTF-MODEL 4	315	89.0	87.0	86.0	86.5	88.8	88.9	88.0	92.3	94.5	98.0	101.3	103.6	108.2	109.5	140.9	
TAPE X40530	400	85.6	84.2	87.0	85.9	87.1	87.7	89.8	91.8	94.3	98.6	99.3	105.5	108.4	106.3	140.5	
BAR 29.3 HG	500	88.3	88.1	88.3	86.0	87.2	88.1	90.7	92.4	94.4	96.7	100.2	107.9	110.6	106.3	142.0	
(9842. N/M2)	630	89.3	89.0	89.2	87.5	88.7	88.8	90.9	93.1	95.9	97.7	102.7	108.6	110.2	107.6	142.6	
TAMB 73. DEG F	800	89.0	89.7	88.9	88.5	89.0	89.3	90.7	94.1	96.0	100.3	103.0	107.0	108.0	108.7	141.8	
(296. DEG K)	1000	89.8	87.1	88.5	87.9	88.8	90.2	91.9	93.8	96.1	100.1	103.5	105.7	105.9	104.7	140.4	
TWEI 58. DEG F	1250	88.2	88.2	87.9	87.8	89.2	89.7	92.4	93.7	95.7	100.1	104.1	106.0	104.9	102.2	140.3	
(288. DEG K)	1600	85.8	87.5	87.4	87.7	89.1	90.2	92.0	94.0	95.6	99.0	102.6	103.7	103.1	99.5	138.7	
HACT 0. GM/M3	2000	87.3	86.1	86.0	88.1	89.0	90.1	91.5	93.3	95.2	97.9	101.2	101.8	102.1	98.8	137.5	
(KG/M3)	2500	86.0	86.3	86.7	85.9	87.8	88.9	90.7	92.6	95.3	97.6	99.0	99.7	100.6	96.2	136.2	
FREQ. SHIFT	3150	84.3	85.6	86.3	86.7	88.1	88.8	90.8	92.1	93.8	96.6	97.7	97.9	99.3	95.4	135.1	
JET 0	4000	82.4	84.9	85.9	87.0	88.6	90.0	91.8	92.9	94.0	96.1	96.0	94.5	94.8	90.0	133.9	
DIAMETER RATIO	5000	81.5	84.5	85.8	87.6	88.7	90.0	92.0	93.0	94.8	96.0	94.2	92.3	90.2	86.1	133.3	
DE/DH 1.00	6300	79.9	83.5	85.2	87.1	88.1	88.9	90.3	91.6	93.0	94.6	92.6	90.4	86.5	83.8	132.0	
	8000	78.9	82.9	84.0	85.7	87.4	87.8	88.7	90.9	91.9	93.3	90.6	87.9	85.1	83.3	130.9	
	10000	77.4	81.6	83.6	85.2	86.1	86.3	87.7	89.7	91.1	90.8	88.8	86.4	83.1	82.0	129.6	
	12500	77.5	83.5	86.6	86.6	86.5	85.7	87.0	89.6	90.3	90.2	87.1	85.3	84.0	82.9	129.9	
	16000	75.6	82.9	84.7	85.0	84.9	84.4	85.0	87.5	89.6	90.7	85.9	83.7	83.7	82.5	129.3	
	20000	73.2	81.5	83.2	83.5	82.5	80.7	82.3	84.8	86.7	87.9	83.1	81.8	82.9	81.9	127.2	
	25000	70.9	80.1	81.1	81.5	79.7	79.0	79.9	81.9	83.6	84.2	81.2	80.8	82.2	81.4	125.3	
	31500	67.0	75.6	77.7	78.6	76.7	75.7	76.5	78.7	79.9	81.3	79.2	79.1	80.4	78.3	122.8	
	40000	64.0	72.2	73.7	74.5	73.3	71.4	72.3	75.5	76.6	76.9	77.1	78.5	79.5	77.8	120.7	
	50000	63.1	69.0	70.0	70.8	69.5	68.3	70.1	74.2	73.5	74.7	79.2	81.1	82.2	79.6	121.8	
	63000	64.4	65.6	66.7	66.9	67.7	66.0	67.4	75.0	72.5	74.9	81.4	84.4	84.6	82.2	125.6	
	80000	65.5	64.1	63.9	64.4	67.4	66.0	67.6	76.3	72.7	76.2	83.7	86.2	87.0	83.7	130.4	
OVERALL MEASURED		99.5	99.5	100.0	100.1	101.1	101.8	103.5	105.3	107.4	110.2	112.8	116.2	118.0	116.9	151.6	
OVERALL CALCULATED		110.4	111.0	111.5	112.0	113.3	114.4	116.1	117.6	119.4	121.8	123.8	125.0	126.1	124.4		

224

43

SPL INPUT AT STD REV, ALPHA 12/73	FREQ.	ANGLES FROM INLET IN DEGREES (AND RADIAN'S)															PWL		
		30. (0.52)	40. (0.70)	50. (0.87)	60. (1.05)	70. (1.22)	80. (1.40)	90. (1.57)	100. (1.75)	110. (1.92)	120. (2.09)	130. (2.27)	140. (2.44)	150. (2.62)	160. (2.79)	0. (0.)		0. (0.)	0. (0.)
NO EGA	50	68.3	68.6	67.6	67.2	67.5	68.6	69.6	71.0	73.1	73.6	75.8	78.3	79.8	90.9				119.9
REG, NO. 0.	63	70.3	70.6	70.9	70.0	70.5	72.4	71.8	72.7	74.9	76.8	78.6	80.9	84.0	92.1				120.7
RADIAL 40. FT.	80	71.4	72.4	72.5	71.9	71.8	72.7	73.8	75.1	76.8	78.9	81.2	84.1	86.8	94.1				123.0
(12. M)	100	74.1	74.6	75.1	74.1	73.6	75.4	77.9	79.3	80.7	82.6	84.6	88.8	92.3	97.9				127.1
VEHICLE JENOTS	125	76.9	75.9	75.4	75.7	75.4	78.2	80.6	81.2	82.7	84.9	87.4	91.1	94.0	98.8				128.6
CONFIG JE-060	160	83.1	79.1	79.9	79.9	79.4	80.6	83.6	82.9	86.4	87.9	89.9	93.1	96.3	99.8				130.6
LOC EVENDALE	200	83.3	82.3	80.5	80.5	80.5	81.8	83.3	84.3	87.0	90.5	94.6	97.6	100.2	102.5				133.8
DATE 05-08-75	250	84.8	84.3	82.8	82.5	82.5	82.8	84.0	85.8	92.5	93.3	97.3	99.3	103.2	103.6				136.0
RUN DBTF-MODEL 4	315	87.0	85.0	84.0	84.8	82.5	87.3	87.9	86.5	91.8	93.5	98.0	101.0	101.9	106.4				139.7
TAPE X40540	400	84.4	82.4	87.3	85.1	87.1	86.9	89.5	91.3	93.5	98.1	98.8	104.5	106.7	105.6				139.4
BAR 29.3 HG	500	87.3	87.8	87.3	85.0	85.2	86.9	88.7	90.4	92.4	94.9	99.0	100.6	108.8	105.1				140.5
(99077, N/M2)	630	89.3	88.2	87.5	86.5	87.5	87.5	90.1	91.9	94.2	96.5	102.2	108.1	108.4	108.3				141.8
TAMB 73. DEG F	800	89.0	89.2	88.4	88.0	88.3	88.3	89.7	93.1	94.3	98.3	101.7	106.3	107.0	109.5				141.2
(296. DEG K)	1000	90.6	87.1	88.3	87.2	88.3	89.4	91.4	92.8	95.1	98.8	102.5	105.4	107.1	106.7				140.6
TWET 58. DEG F	1250	89.2	88.2	87.6	87.5	89.2	89.2	91.7	93.4	94.9	98.9	102.8	106.5	107.2	104.9				140.8
(288. DEG K)	1600	87.0	87.5	87.6	87.5	88.6	89.5	91.0	93.2	94.8	98.3	102.1	103.7	105.4	104.2				139.3
HACT 0. GH/M3	2000	89.1	86.8	86.0	88.1	88.7	89.4	90.8	93.1	95.0	98.1	100.9	102.0	104.6	103.5				138.5
(, KG/M3)	2500	86.0	85.8	86.0	85.4	86.6	87.7	90.2	92.1	94.8	97.6	99.0	100.4	102.6	101.0				136.9
FREQ. SHIFT	3150	83.8	84.6	84.8	85.4	86.1	87.8	89.3	91.6	93.3	97.1	97.9	98.1	100.8	98.1				135.5
JET 0	4000	81.1	82.4	82.9	83.8	85.4	86.8	88.3	90.9	93.0	95.4	95.8	95.3	95.8	92.2				133.1
DIAMETER RATIO	5000	80.7	82.0	82.1	83.1	84.5	85.8	87.8	90.5	92.8	95.0	94.9	93.1	91.5	87.1				131.9
DF/DH 1.00	6300	78.2	80.3	80.9	81.8	83.6	85.1	86.3	88.8	90.5	93.1	92.6	89.4	87.8	82.3				129.9
	8000	77.1	79.4	80.7	81.2	83.4	84.3	85.4	88.4	89.4	91.6	90.1	87.1	84.1	80.3				128.7
	10000	75.9	78.6	79.4	80.4	81.9	83.3	84.4	87.7	89.3	89.8	87.8	84.2	80.9	78.2				127.7
	12500	73.5	77.0	78.4	79.4	80.5	81.2	83.3	85.6	87.3	88.2	86.6	82.0	79.5	76.6				126.3
	16000	70.1	74.7	75.9	76.2	78.1	79.2	80.8	83.3	85.1	86.0	84.6	79.7	76.9	74.5				124.5
	20000	66.4	71.7	73.2	74.0	74.2	75.2	77.5	79.8	82.4	82.7	81.8	76.8	74.4	71.7				121.9
	25000	63.7	69.9	70.9	71.7	71.0	71.7	73.9	76.4	78.4	79.4	77.7	74.3	72.9	70.4				119.9
	31500	60.3	66.1	67.4	67.4	67.2	68.5	70.0	72.5	74.1	76.6	74.2	72.1	71.4	68.0				116.1
	40000	59.5	64.0	64.2	64.5	64.6	63.6	65.3	67.5	70.3	74.4	70.3	71.3	71.0	68.5				114.0
	50000	61.8	62.0	62.3	62.1	63.5	62.3	64.3	65.0	69.0	76.2	70.9	74.1	73.2	70.6				115.9
	63000	63.9	62.6	62.4	62.2	65.5	63.2	65.2	65.3	70.7	79.1	72.9	76.1	75.6	72.7				120.1
	80000	66.0	63.3	62.9	62.6	67.1	65.0	66.8	67.0	72.7	81.2	75.0	78.0	77.5	74.2				125.0
OVERALL MEASURED		99.1	98.3	98.4	98.1	99.2	100.0	101.7	104.0	106.1	109.2	112.1	115.5	117.2	117.1				150.8
OVERALL CALCULATED		110.4	109.8	109.9	110.1	111.1	112.3	113.9	116.2	118.3	121.4	123.0	124.8	126.6	125.8				

ORIGINAL PAGE IS
OF POOR QUALITY

225

MODEL SOUND PRESSURE LEVELS (59, DEG. F, 70 PERCENT REL. HUM. DAY - JENOTS)

ANGLES FROM INLET IN DEGREES (AND RADIANS)

SPL INPUT AT STD REV: ALPHA 12/73	FREQ.	30.	40.	50.	60.	70.	80.	90.	100.	110.	120.	130.	140.	150.	160.	PWL
		(0.52)	(0.70)	(0.87)	(1.05)	(1.22)	(1.40)	(1.57)	(1.75)	(1.92)	(2.09)	(2.27)	(2.44)	(2.62)	(2.79)	(0.)
NO EGA	50	74.6	74.6	75.1	74.9	75.5	75.6	76.9	77.8	78.9	80.6	83.3	87.0	90.8	98.9	127.1
RUG: NO. 0.	63	70.1	78.3	78.9	78.2	79.0	78.9	80.3	80.2	82.6	84.8	87.1	92.6	95.2	101.1	130.2
RADIAL 40. FT.	80	81.1	82.1	82.5	81.1	81.3	81.4	82.8	83.1	85.1	87.4	91.2	94.6	98.3	103.1	132.6
(12. M)	100	85.4	85.1	85.4	84.6	84.1	85.4	87.9	89.1	90.2	91.9	95.1	99.3	103.8	107.7	137.4
VEHICLE JENOTS	125	87.9	86.9	86.7	87.4	86.4	88.2	90.6	91.2	92.7	94.7	97.7	102.3	105.5	108.5	139.1
CONFIG JE-060	160	92.6	89.9	89.9	89.6	89.4	90.6	93.3	93.4	96.4	97.6	99.6	103.9	107.6	109.6	140.9
LOC EVENDALE	200	92.3	91.0	89.8	89.5	90.3	91.3	92.8	93.3	96.0	99.5	104.3	108.6	111.2	112.9	144.2
DATE 05-08-75	250	94.3	93.0	91.8	91.5	91.3	91.8	93.3	94.0	100.5	102.0	107.3	110.5	113.7	112.4	146.0
RUN ODTF-MODEL 4	315	94.5	92.0	91.5	93.5	94.5	93.7	93.3	97.8	99.0	103.8	109.3	111.6	115.7	115.0	147.8
TAPE X40550	400	92.6	90.7	94.3	92.1	93.9	94.2	96.5	98.6	100.8	105.1	108.0	113.0	117.2	112.8	148.4
BAR 29.3 HG	500	96.6	96.1	95.8	93.8	94.7	95.9	98.2	100.7	102.2	104.4	109.4	117.1	119.1	119.8	150.9
(99.43. N/M2)	630	99.1	98.0	96.7	95.2	95.5	95.8	98.4	100.1	103.2	105.0	112.5	118.3	120.9	117.6	152.5
TAMB 72. DEG F	800	98.7	97.7	97.4	96.8	97.3	97.0	98.9	101.9	104.0	107.8	111.5	116.8	118.5	118.5	151.4
(295. DEG K)	1000	99.1	95.6	96.0	95.7	96.5	97.2	99.2	101.6	103.9	108.1	111.7	113.9	116.1	113.7	149.2
THEI 56. DEG F	1250	96.5	95.7	95.6	95.5	96.5	97.4	99.9	101.4	103.2	107.9	111.6	114.5	112.9	109.7	148.2
(286. DEG K)	1600	93.3	95.2	94.7	95.0	95.8	97.7	99.5	101.5	103.5	106.8	110.1	111.2	109.6	106.2	146.0
HACT 1. GM/M3	2000	94.3	93.3	93.0	95.4	96.5	97.6	99.0	101.3	103.0	105.9	108.7	109.8	108.3	104.0	144.9
(1. KG/M3)	2500	92.8	93.1	93.8	93.5	95.1	96.2	98.5	100.4	103.3	105.3	106.5	107.4	105.2	101.8	143.3
FREQ. SHIFT	3150	91.6	92.9	93.0	94.5	95.1	96.3	97.8	100.1	102.6	104.9	105.9	106.1	104.1	100.4	142.7
JET 0	4000	89.7	91.7	92.5	93.6	95.4	96.8	97.9	100.5	102.8	104.2	104.3	104.3	102.6	99.3	141.9
DIAMETER RATIO	5000	90.0	91.8	92.1	93.6	95.3	97.1	99.1	101.1	103.6	103.8	103.5	103.4	101.8	98.4	141.9
DE/DH 1.00	6300	89.0	92.9	93.3	95.1	97.2	98.0	98.9	101.2	103.8	102.7	101.9	102.5	100.6	96.4	141.7
	8000	88.3	92.1	93.1	95.1	96.8	97.7	98.8	101.8	104.3	101.5	100.5	100.6	99.0	95.2	141.4
	10000	86.9	90.8	91.8	94.4	96.1	97.0	98.4	101.4	103.8	100.8	99.0	97.6	96.6	94.2	140.9
	12500	85.5	89.6	91.1	93.4	95.0	96.0	98.1	99.9	101.8	99.4	97.8	96.3	94.7	92.6	139.9
	16000	82.7	88.2	89.5	91.5	93.7	94.9	96.1	98.3	99.6	97.2	94.6	93.4	91.9	89.3	138.2
	20000	80.2	85.8	86.7	89.5	90.8	91.7	94.4	95.9	97.0	94.2	92.2	91.2	90.0	87.0	136.2
	25000	78.0	83.7	85.4	88.0	89.0	90.3	91.7	93.4	93.9	92.0	88.2	90.6	90.5	88.4	134.5
	31500	75.6	80.1	82.2	84.6	85.7	87.5	88.8	90.0	90.9	89.1	85.5	90.6	89.7	87.1	132.4
	40000	74.2	77.7	78.7	81.5	82.8	83.4	85.1	86.2	87.6	87.1	82.6	91.0	90.7	88.4	131.1
	50000	74.7	74.7	75.9	78.0	79.6	80.2	82.4	83.4	85.2	88.1	83.3	93.5	93.1	91.5	132.7
	63000	75.8	74.0	74.9	75.6	78.7	77.4	79.9	81.3	84.2	90.4	84.7	96.1	95.6	93.9	136.4
	80000	77.5	73.8	74.1	75.1	78.6	77.5	79.8	80.2	84.6	92.4	85.9	98.2	97.2	95.4	141.1
OVERALL MEASURED		107.6	107.1	107.2	107.6	108.7	109.6	111.4	113.6	115.8	117.8	121.1	125.1	127.0	125.1	160.2
OVERALL CALCULATED		118.0	118.5	118.7	119.5	120.6	121.7	123.2	125.5	127.8	129.7	131.7	133.9	135.1	132.9	

226

4 21

SPL INPUT AT STD REV: ALPHA 12/73	FREQ.	MODEL SOUND PRESSURE LEVELS (59, DEG; F, 70 PERCENT REL. HUM, DAY - JENOTS)																PHL	
		ANGLES FROM INLET IN DEGREES (AND RADIANS)																	
		30.	40.	50.	60.	70.	80.	90.	100.	110.	120.	130.	140.	150.	160.	0.	0.	0.	
		(0.52)	(0.70)	(0.87)	(1.05)	(1.22)	(1.40)	(1.57)	(1.75)	(1.92)	(2.09)	(2.27)	(2.44)	(2.62)	(2.79)	(0.	(0.	(0.	
NO EGA	63	71.1	70.6	71.1	70.9	71.5	71.8	72.9	73.8	74.6	76.8	79.5	82.0	85.8	95.7				123.4
RUG. NO. 0.	80	73.8	74.3	74.9	74.5	74.5	76.4	76.3	76.2	77.6	79.8	83.8	86.4	90.0	97.3				125.8
RADIAL 40. FT. (12. M)	100	76.6	77.6	77.8	77.1	76.8	76.9	78.6	79.1	80.8	82.9	87.0	90.1	93.3	99.1				128.3
VEHICLE JENOTS	160	80.4	80.1	80.6	79.4	79.4	80.9	83.2	84.6	85.5	87.4	90.4	94.8	98.8	103.2				132.7
CONFIG JE-060	200	83.4	82.2	81.7	82.4	81.9	84.2	86.9	86.4	88.2	90.4	93.4	97.6	100.5	103.8				134.4
LUC EVENDALE	250	88.9	85.4	85.6	85.1	85.4	86.6	89.1	89.1	91.9	92.9	95.6	99.4	103.1	105.6				136.6
DATE 5-08-75	315	88.0	87.3	85.5	85.3	85.8	86.8	88.5	89.3	91.5	95.0	99.3	103.1	106.5	107.8				139.3
RUN BTM-MODEL 4	400	89.8	88.5	87.8	87.5	87.3	88.3	88.8	90.0	96.8	97.8	102.5	105.3	109.4	108.6				141.6
TAPE X10560	500	91.3	88.5	88.0	89.5	91.0	90.4	90.0	94.5	96.3	100.3	105.0	107.1	111.7	112.3				144.1
BAR 29.3 HG	630	88.4	86.9	90.0	88.6	90.1	89.9	92.3	94.8	97.3	101.8	103.8	109.8	112.2	109.6				144.3
(99.43, N/M2)	800	92.1	92.1	91.6	89.8	90.4	91.4	93.4	95.9	97.9	99.9	104.7	112.6	115.1	110.1				146.4
TAMB 73, DEG F.	1000	93.6	93.7	92.5	91.0	92.0	91.8	93.9	95.9	98.7	101.7	108.2	114.3	115.4	111.3				147.7
(296, DEG K)	1250	93.0	93.7	92.6	92.3	93.0	92.0	94.2	97.4	99.3	104.0	108.2	112.5	113.2	113.0				146.7
TMET 58, DEG F	1600	93.8	91.1	92.5	91.7	92.3	92.9	94.9	97.3	99.6	103.8	108.5	111.4	111.1	108.9				145.4
(238, DEG K)	2000	92.7	92.4	92.1	91.8	92.7	93.2	95.7	97.2	99.7	104.1	109.1	112.7	110.2	106.2				145.6
HACT 0, GM/M3	2500	90.8	91.7	91.4	91.5	92.8	93.7	95.3	97.2	99.3	103.5	107.8	110.0	108.4	103.2				143.8
(1, KG/M3)	3150	91.1	93.1	89.5	91.9	92.7	93.6	94.8	96.6	99.5	102.6	106.4	109.3	107.3	101.0				142.9
FREQ. SHIFT	4000	89.5	90.0	90.0	89.2	90.8	91.9	94.2	96.6	99.0	102.1	104.0	107.9	104.1	98.0				141.3
JET 0	5000	87.5	88.9	89.3	89.9	91.3	91.8	93.3	95.6	98.0	101.3	102.9	106.6	101.8	95.4				140.2
DIAMETER RATIO	6300	85.6	88.4	88.9	90.0	91.4	92.8	94.3	96.2	97.8	99.6	100.8	103.5	97.5	91.7				138.3
DE/DH 1.00	8000	84.5	88.0	88.3	90.3	91.7	93.0	94.5	96.0	98.5	99.5	99.2	99.6	94.0	89.8				137.2
	10000	83.9	87.8	88.7	90.3	92.3	92.4	93.3	95.1	97.2	98.1	96.8	96.1	91.0	86.5				135.9
	12500	82.6	86.7	87.7	89.4	90.9	91.3	92.4	94.9	95.9	97.1	94.8	93.6	89.3	85.8				134.9
	16000	81.9	87.1	88.9	90.7	91.4	90.8	91.7	94.5	96.1	95.8	93.3	90.7	88.4	86.5				134.6
	20000	80.7	86.8	88.9	89.9	90.0	90.5	91.5	94.4	94.8	93.9	91.6	89.5	88.0	87.1				134.0
	25000	79.1	86.2	88.2	89.0	89.4	88.9	89.8	92.5	94.3	93.5	89.9	88.2	87.9	86.8				133.4
	31500	76.2	84.2	86.4	86.5	86.0	85.2	86.8	88.8	90.9	91.4	87.3	89.6	85.4	84.4				131.0
	40000	72.4	81.1	83.4	83.5	82.7	82.7	84.1	86.1	87.4	87.2	83.4	82.8	83.4	81.9				128.2
	50000	68.5	76.9	78.4	80.1	79.2	80.5	81.3	83.0	83.4	84.1	81.3	80.8	81.4	78.8				125.6
	63000	65.5	74.2	75.2	76.3	76.1	75.9	77.8	79.2	80.6	80.6	79.1	79.8	80.7	78.7				123.5
	80000	62.6	69.8	71.8	73.1	72.0	73.8	76.3	77.0	77.3	79.7	80.2	82.9	83.2	79.8				124.0
		62.1	66.3	67.4	68.9	69.0	73.5	75.4	76.0	75.2	80.6	82.2	85.6	85.6	81.9				127.2
		62.7	64.3	64.1	64.9	67.4	75.0	76.6	76.3	73.2	82.2	84.2	87.2	87.0	83.9				131.6
OVERALL MEASURED		103.1	103.2	103.4	103.5	104.5	104.9	106.6	108.7	111.0	114.0	117.7	121.8	122.5	120.4				156.1
OVERALL CALCULATED		114.0	114.6	114.8	115.3	116.5	117.3	118.9	120.9	123.0	129.9	128.4	131.7	130.5	127.9				

227

ORIGINAL PAGE IS
 OF POOR QUALITY

432

MODEL SOUND PRESSURE LEVELS (59, DEG. F, 70 PERCENT REL. HUM, DAY - JENOTS)
 PROC. DATE - MONTH 22 DAY 0 HR. 0.8

SPL INPUT AT STD REV. ALPHA 12/73	FREQ.	ANGLES FROM INLET IN DEGREES (AND RADIANS)																		PWL
		30.	40.	50.	60.	70.	80.	90.	100.	110.	120.	130.	140.	150.	160.	0.	0.	0.		
NO EGA	50	68.3	68.8	68.1	67.7	68.5	69.6	70.4	71.3	73.4	74.1	66.0	68.0	71.8	83.7				113.7	
RDG, NO. 0.	63	71.1	71.3	71.4	70.7	70.8	72.9	72.0	74.2	76.1	77.3	71.1	72.6	76.0	85.3				116.3	
RADIAL 40. FT.	80	72.4	73.4	73.8	73.1	73.0	73.2	74.8	75.6	77.8	78.9	72.7	76.1	78.8	86.1				117.9	
(12. M)	100	75.9	75.9	76.4	75.1	75.1	76.6	78.9	80.3	82.2	83.6	76.1	80.5	84.8	90.7				122.2	
VEHICLE JENOTS	125	78.4	77.4	76.9	77.4	76.9	79.7	82.1	82.7	84.2	86.7	79.4	83.1	86.8	91.3				124.2	
CONFIG JE-060	160	84.6	80.6	80.9	80.4	80.6	82.1	84.6	85.4	88.4	89.6	82.1	85.6	89.1	92.3				127.0	
LOC EVENDALE	200	84.8	83.3	81.0	81.8	82.0	83.3	85.0	86.3	88.8	92.0	86.6	89.9	92.7	94.8				129.0	
DATE 05-08-75	250	86.8	85.3	84.3	84.5	85.0	85.0	86.0	87.3	94.0	95.3	89.3	91.8	95.7	95.1				131.7	
RUN DBTF-MODEL 4	315	89.8	86.5	85.8	86.3	88.5	88.4	87.8	92.5	94.8	99.3	92.8	94.1	98.4	99.5				134.8	
TAPE 40570.	400	86.6	84.2	88.5	86.6	87.4	88.2	90.5	92.6	94.8	99.8	92.0	97.3	99.7	97.6				135.3	
BAR 29.3 HG	500	89.6	89.3	89.3	86.8	88.0	88.4	91.0	92.4	94.4	97.7	91.7	99.4	102.1	97.1				135.7	
(99077. N/M2)	630	90.8	90.0	90.5	88.5	89.7	89.3	91.9	93.6	96.4	99.2	95.2	101.6	102.4	99.8				137.2	
TAMB 73. DEG F	800	91.7	91.2	90.9	90.0	90.3	90.0	92.4	94.9	96.8	100.8	95.7	100.0	100.7	102.0				137.5	
(296. DEG K)	1000	92.1	90.4	90.5	89.9	90.3	91.4	93.7	95.1	97.1	101.8	96.5	99.7	99.9	98.7				137.5	
TWET 58. DEG F	1250	92.0	90.9	90.9	90.5	91.5	92.2	94.2	95.2	97.9	102.4	97.1	101.2	100.7	97.4				138.2	
(288. DEG K)	1600	91.0	91.5	90.6	90.5	91.3	92.5	94.3	95.7	97.8	101.8	96.1	99.2	100.1	96.0				137.6	
HACT 0. GM/M3	2000	92.1	90.1	89.5	91.4	92.0	92.1	93.5	95.6	97.7	101.4	94.9	98.3	99.8	95.5				137.2	
(. KG/M3)	2500	90.0	89.5	89.0	88.2	89.8	90.7	92.2	94.6	97.3	100.3	92.5	96.9	97.1	93.0				135.9	
FREQ. SHIFT	3150	87.3	87.9	87.5	87.9	88.8	90.1	91.5	93.9	96.5	100.1	91.7	95.9	95.6	89.9				135.2	
JET 0	4000	84.6	85.7	85.4	86.8	87.6	89.8	91.1	93.4	95.8	99.1	90.0	92.5	89.8	84.5				133.9	
DIAMETER RATIO	5000	83.0	84.0	84.6	85.6	87.0	88.3	90.5	93.0	96.0	98.2	88.4	89.3	86.5	79.8				133.2	
DF/DH 1.00	6300	81.4	83.5	83.7	85.3	87.1	87.9	89.3	91.6	94.2	96.4	85.3	85.6	83.0	75.5				131.7	
	8000	80.1	82.4	83.2	84.7	86.2	87.5	88.7	91.1	93.2	95.1	83.6	82.1	79.6	73.3				130.9	
	10000	79.2	82.1	82.9	84.7	85.9	86.6	88.2	91.7	92.8	95.3	82.1	79.4	76.4	71.7				131.2	
	12500	77.0	80.0	81.9	82.4	84.5	85.5	87.0	89.6	91.6	92.9	80.6	77.5	74.5	71.4				129.7	
	16000	73.6	77.9	78.9	79.7	82.1	82.9	84.5	87.5	89.1	90.2	78.9	74.7	71.4	68.5				127.6	
	20000	69.7	74.7	75.7	77.2	78.2	78.9	81.3	84.1	85.9	86.7	76.1	71.3	69.1	66.2				124.7	
	25000	66.4	72.4	74.1	74.5	75.0	75.5	77.9	80.1	82.1	82.9	71.9	69.8	69.2	66.4				121.6	
	31500	62.8	68.6	70.4	70.1	70.2	71.7	73.5	76.5	77.6	79.6	69.0	69.1	68.6	65.3				118.4	
	40000	61.3	65.2	66.2	66.5	67.1	66.6	68.6	72.2	72.8	76.6	67.3	69.3	69.7	67.0				115.6	
	50000	62.6	63.5	63.3	64.1	65.0	63.5	65.8	71.2	70.0	77.9	69.9	72.4	72.5	69.3				116.8	
	63000	64.9	63.1	62.7	63.2	65.7	63.7	65.4	73.5	70.7	80.1	72.4	75.4	75.1	72.2				120.8	
	80000	66.0	63.1	62.6	62.9	67.1	65.0	67.3	75.8	71.9	82.7	74.2	77.2	77.5	74.4				126.0	
OVERALL MEASURED																				
OVERALL CALCULATED		101.6	100.9	100.9	100.7	101.7	102.4	104.2	106.2	108.6	112.1	105.6	109.7	110.8	109.1				148.2	
PNDB		113.2	112.8	112.6	112.9	113.7	114.7	116.3	118.5	121.0	124.3	116.6	120.2	120.9	117.9					



☆ 10 dB TOO LOW

228

721

SPL INPUT AT STD REV: ALPHA 12/73	FREQ.	ANGLES FROM INLET IN DEGREES (AND RADIAN)																PWL	
		30.	40.	50.	60.	70.	80.	90.	100.	110.	120.	130.	140.	150.	160.	0.	0.		0.
NO EGA	63	78.8	78.8	79.4	79.2	79.3	79.4	81.0	81.2	82.9	85.1	90.3	92.6	96.0	101.3				127.3
RUG: NO. 01	80	81.9	82.9	83.3	81.9	81.8	81.9	83.1	83.8	85.6	87.4	92.2	94.9	98.8	103.6				130.7
RADIAL 40. FT.	100	85.9	85.6	85.6	84.9	84.9	85.6	87.9	89.1	89.7	92.1	95.1	100.0	103.8	107.4				133.1
(12. M)	125	88.7	87.4	86.9	87.7	86.7	88.7	91.1	91.9	92.9	95.4	98.4	102.3	106.0	108.5				137.4
VEHICLE JENOTS	160	93.4	90.9	90.9	90.4	90.1	90.9	94.1	93.9	96.9	98.4	100.4	105.1	108.8	110.8				139.3
CONFIG JE-060	200	93.0	91.5	90.0	90.0	90.5	92.0	93.0	94.0	96.0	99.5	104.6	108.9	112.2	113.8				142.0
LUG EVENDALE	250	94.0	93.8	92.0	92.3	91.8	92.8	92.8	94.0	101.0	102.3	107.5	111.3	114.9	113.4				145.0
DATE 5-08-75	315	94.8	92.5	92.0	93.5	93.3	94.9	94.0	98.0	99.5	104.0	109.8	112.4	116.7	116.0				146.8
RUN ODTF-MODEL 4.	400	93.4	91.4	95.3	92.6	94.1	94.4	97.0	99.1	101.3	106.1	109.3	114.5	117.4	113.1				148.6
TAPE X40580	500	96.6	96.8	96.6	93.8	95.2	96.4	98.4	100.9	102.7	105.4	110.7	118.9	120.6	116.3				149.1
BAR 29.3 HG	630	99.6	98.7	98.0	96.2	96.7	97.0	99.4	101.1	103.9	106.7	114.2	120.1	121.7	117.3				152.3
(99.43, N/M2)	800	99.2	98.9	98.4	97.5	98.0	98.0	99.9	103.1	104.8	109.3	114.2	119.3	119.7	118.7				153.6
TAMB 72, DEG F	1000	99.3	96.6	97.8	96.9	97.3	98.2	100.2	102.1	104.9	109.6	115.2	117.7	117.1	114.2				153.0
(295, DEG K)	1250	97.5	97.4	97.4	96.5	97.7	98.2	100.7	102.2	104.7	109.6	115.1	118.5	114.4	109.9				151.4
TMET 56, DEG F	1600	95.1	96.7	95.9	96.0	97.3	98.2	100.3	102.5	104.8	108.8	113.6	115.2	111.9	106.5				151.0
(286, DEG K)	2000	96.1	95.3	94.5	96.7	97.5	98.4	99.8	101.8	104.0	107.9	112.2	114.3	109.8	104.8				148.9
HACT 0, GM/M3	2500	94.8	95.1	95.5	94.7	96.1	97.2	99.0	101.2	104.3	107.3	110.0	111.7	106.7	101.3				147.8
(1, KG/M3)	3150	93.3	94.4	94.5	95.5	96.9	97.1	98.5	100.6	103.3	106.6	108.9	109.1	104.6	99.4				145.9
FREQ. SHIFT	4000	91.2	92.9	93.5	95.1	96.1	97.8	98.9	101.2	103.3	105.2	107.3	106.1	101.1	97.3				144.6
JET 0	5000	90.8	94.0	93.4	95.1	96.1	97.4	99.1	101.3	103.9	104.8	106.2	104.4	100.3	96.4				143.2
DIAMETER RATIO	6500	91.0	95.9	95.3	96.4	97.2	98.0	98.9	101.4	103.3	103.2	104.2	102.5	98.9	95.4				142.7
DE/DH 1.00	8000	90.1	95.3	95.1	97.1	98.1	98.4	98.8	101.3	103.6	102.5	102.0	100.6	98.0	95.2				142.0
	10000	89.1	94.8	94.8	97.1	98.1	98.5	99.1	101.4	103.5	100.8	100.3	98.9	96.3	93.7				141.7
	12500	87.2	93.1	93.6	96.1	98.0	98.0	99.6	100.6	101.6	99.9	98.6	96.8	94.7	93.1				141.5
	16000	84.4	91.0	91.5	93.5	96.2	96.7	97.6	99.6	99.8	97.7	96.1	94.9	91.7	89.5				140.8
	20000	81.2	88.3	89.0	91.3	92.8	93.2	94.9	96.4	98.0	95.2	93.2	91.7	90.2	87.8				139.4
	25000	79.0	85.4	87.2	90.0	90.8	91.5	92.2	93.2	94.7	92.5	91.0	91.4	91.0	88.9				137.2
	31500	75.6	81.6	82.9	86.4	86.9	89.0	89.6	90.5	91.4	89.9	89.3	90.6	90.7	87.6				135.3
	40000	74.2	78.4	79.4	83.0	83.6	84.1	85.6	87.0	88.1	87.6	88.8	90.7	91.4	88.4				133.3
	50000	74.5	76.2	76.7	78.5	80.1	80.9	82.9	83.6	84.4	88.8	91.8	94.8	94.1	91.5				131.9
	63000	76.6	75.3	75.4	76.4	78.9	77.9	79.9	81.3	84.7	90.9	93.9	96.6	97.3	93.9				134.2
	80000	77.7	75.3	75.1	75.4	79.1	77.5	79.3	80.2	84.9	93.1	95.4	98.7	98.4	95.4				138.0
OVERALL MEASURED																			142.6
OVERALL CALCULATED																			161.7
PND8		108.4	108.6	108.6	108.8	109.9	110.5	112.0	114.1	116.4	119.2	123.7	127.5	128.0	125.5				
		119.4	120.1	120.1	120.6	121.7	122.5	123.8	129.0	128.5	131.1	134.3	136.6	135.9	133.1				

229

ORIGINAL PAGE IS OF POOR QUALITY

SPL INPUT AT STD REV: ALPHA 12/73	FREQ.	ANGLES FROM INLET IN DEGREES (AND RADIANIS)														PNL
		30.	40.	50.	60.	70.	80.	90.	100.	110.	120.	130.	140.	150.	160.	
NO EGA	50	73.3	73.3	73.6	73.4	73.5	74.3	75.6	76.8	77.9	79.6	81.8	85.5	89.1	96.9	125.3
RUG: NO. 0	63	76.3	77.1	77.4	77.0	77.3	77.4	78.5	78.9	80.4	83.8	85.3	89.4	93.0	98.6	127.8
RADIAL 40. FT; (12. H)	80	79.4	80.1	80.5	79.6	79.3	79.7	80.8	81.3	83.3	89.4	88.7	92.9	96.0	101.4	130.7
VEHICLE JENOTS	100	83.9	83.6	83.6	82.9	82.6	83.9	85.9	87.1	88.0	89.9	92.9	97.3	102.0	105.4	135.3
CONFIG JE-060	125	86.4	85.2	84.7	85.4	84.9	86.7	88.9	89.7	90.4	93.7	95.9	100.3	103.8	107.0	137.4
LUC EVENDALE	160	91.6	88.1	88.6	88.1	87.9	89.1	91.6	91.6	94.6	96.4	98.6	102.6	106.6	108.8	139.8
DATE 05-08-75	200	91.0	89.5	88.0	88.0	88.5	89.5	91.5	92.0	94.0	97.5	101.8	106.1	110.0	112.0	142.8
RUN DBTF-MODEL 4	250	92.0	91.8	90.3	90.3	90.3	90.8	91.5	92.8	99.5	100.5	105.3	109.0	112.7	112.1	144.9
TYPE X43590	315	93.5	90.8	90.8	92.0	93.8	92.9	92.3	97.3	98.3	102.8	108.3	110.6	114.9	114.8	147.1
BAR 29.3 HG	400	91.9	89.4	92.8	91.1	92.1	92.9	95.0	97.3	99.5	104.1	107.3	112.8	115.2	111.6	147.1
(99.43, N/M2)	500	94.6	94.8	94.6	92.0	93.7	94.1	96.4	98.9	100.7	103.2	108.4	116.9	118.8	114.1	150.3
TAMB 72, DEG F	630	96.8	97.2	95.7	94.2	94.5	95.0	97.1	98.9	101.7	105.5	112.7	118.3	118.9	114.8	151.5
(295, DEG K)	800	96.5	96.9	96.4	95.8	95.8	96.0	97.9	100.6	102.8	107.5	113.2	118.0	117.5	116.9	151.3
THEY 56, DEG F	1000	97.1	94.9	96.0	95.2	95.5	96.4	98.4	100.3	103.4	107.6	113.7	115.4	114.6	112.7	149.4
(286, DEG K)	1250	96.2	95.9	96.4	95.5	95.7	96.7	98.9	101.2	103.2	107.9	114.6	118.0	113.7	109.4	150.4
HACT 1.0	1600	93.8	95.0	94.9	95.0	96.3	97.2	99.3	101.0	103.3	107.8	113.3	115.2	112.4	106.5	148.6
(: KG/M3)	2000	95.1	93.6	93.3	95.7	96.2	96.9	98.3	100.6	103.5	106.6	112.2	115.0	110.1	104.5	147.8
FREQ. SHIFT.	2500	94.3	94.6	95.0	94.0	94.6	95.7	98.0	100.4	103.3	107.1	110.3	113.7	107.2	100.8	146.5
JET 0	3150	93.3	94.2	94.0	95.2	95.9	96.1	96.8	99.9	102.1	105.9	109.4	111.4	104.6	98.1	145.0
DIAMETER RATIO	4000	91.4	93.2	93.0	94.1	95.4	96.8	97.1	99.2	101.8	104.4	107.6	108.3	100.6	94.8	143.2
DE/DH 1.00	5000	90.8	93.5	93.4	94.1	95.1	96.4	97.8	99.6	102.1	103.5	106.2	105.6	97.8	93.1	142.1
OVERALL MEASURED	6300	90.0	93.9	94.3	95.6	95.9	96.0	96.9	99.2	100.6	102.5	103.2	102.5	95.4	91.4	140.6
OVERALL CALCULATED	8000	89.6	92.8	93.1	96.1	96.8	96.4	96.6	98.5	100.6	100.7	100.7	99.6	93.7	90.7	139.7
PNDB	10000	88.1	92.1	93.1	95.4	96.1	96.3	96.1	98.4	99.5	100.0	98.5	97.4	92.8	90.2	139.1
	12500	86.0	90.6	92.4	94.6	95.8	95.7	97.1	98.1	98.6	97.9	96.6	94.8	92.0	90.4	138.5
	16000	82.9	88.7	90.5	92.8	93.9	93.7	95.1	97.1	98.0	96.5	94.4	92.4	89.7	88.0	137.5
	20000	79.2	85.3	87.5	89.5	90.0	90.0	91.9	93.1	95.7	94.5	91.9	89.7	87.0	84.8	134.9
	25000	77.0	82.9	84.2	86.8	86.8	87.5	88.9	89.7	92.2	91.3	88.0	86.6	85.5	82.9	132.2
	31500	73.3	79.1	81.2	83.1	83.4	85.2	86.3	87.0	87.9	88.6	85.3	85.1	83.4	80.6	129.8
	40000	73.2	76.2	77.9	79.7	80.6	81.1	82.6	83.0	84.6	86.9	83.6	83.7	83.2	80.4	127.8
	50000	74.0	74.7	75.4	77.0	77.9	78.2	80.4	80.9	80.9	88.3	83.1	86.8	85.4	82.2	128.6
	63000	77.1	74.3	74.7	75.4	77.9	76.2	78.4	79.0	78.2	80.4	84.7	88.9	88.3	85.1	131.9
	80000	77.2	74.8	74.6	74.9	78.6	77.5	79.3	79.2	76.1	93.1	86.4	90.2	89.4	86.4	136.7
OVERALL MEASURED																
OVERALL CALCULATED		106.7	107.0	107.1	107.5	108.2	108.7	110.1	112.3	114.6	117.8	122.8	126.4	126.0	123.7	160.2
PNDB		118.4	119.0	119.0	119.7	120.3	121.1	122.1	124.4	126.8	130.1	133.9	136.8	133.9	131.2	

230

4-21

SPL INPUT AT STD REV: ALPHA 12/73	FREQ.	ANGLES FROM INLET IN DEGREES (AND RADIANS)															PWL		
		30, (0.52)	40, (0.70)	50, (0.87)	60, (1.05)	70, (1.22)	80, (1.40)	90, (1.57)	100, (1.75)	110, (1.92)	120, (2.09)	130, (2.27)	140, (2.44)	150, (2.62)	160, (2.79)	0, (0.0)		0, (0.0)	0, (0.0)
NO EGA	50	70.8	70.3	70.4	70.7	71.5	71.6	73.1	74.0	74.6	76.8	78.3	81.5	84.8	95.9				123.4
RUG NO. 01	63	74.1	74.3	74.9	74.2	74.3	75.6	75.8	76.9	77.6	81.6	83.1	86.4	89.2	98.1				126.2
RADIAL 40. FT.	80	76.4	77.4	77.5	78.6	75.8	76.4	78.1	78.6	80.1	82.6	86.0	89.6	92.5	99.6				128.3
(12. M)	100	80.1	80.1	80.4	79.4	79.1	80.6	83.2	84.1	85.2	86.6	89.4	94.0	98.3	103.4				132.5
VEHICLE JENOTS	125	82.9	81.7	81.2	82.2	81.2	83.4	86.1	86.7	87.7	90.4	92.7	96.8	100.3	104.8				134.5
CONFIG JE-060	160	88.1	84.4	85.1	84.9	84.6	85.9	88.6	88.6	91.6	93.4	95.4	99.6	103.1	106.3				136.9
LUC EVENDALE	200	88.0	87.0	85.5	85.3	86.0	86.8	88.5	89.3	91.3	95.0	99.3	103.4	106.7	103.8				139.7
DATE 65-08-75	250	89.8	89.3	88.3	87.5	87.5	88.5	88.5	90.5	97.0	98.8	103.3	106.0	109.4	109.9				142.1
RUN DBTF-MODEL 4	315	91.5	89.0	88.5	89.3	91.5	91.2	90.3	95.5	97.3	101.0	106.0	107.6	111.7	113.0				144.6
TAPE X40600	400	89.6	88.2	90.8	89.4	90.4	90.9	93.3	95.6	98.0	102.6	105.0	110.0	112.4	110.1				144.7
BAR 29.3 HG	500	93.1	93.1	92.6	90.5	91.2	92.4	94.2	96.7	96.2	100.9	106.2	114.6	116.6	111.6				148.1
(98942. N/M2)	630	95.3	95.2	94.2	93.2	93.2	93.0	94.9	97.1	99.9	103.7	111.0	116.8	116.4	113.1				149.6
TAHB 73, DEG F	800	96.0	96.2	94.9	94.8	94.3	94.5	96.2	99.1	101.3	105.5	111.7	115.8	115.7	115.2				149.5
(296, DEG K)	1000	97.6	94.4	95.0	94.4	94.8	95.4	97.2	99.1	101.6	106.8	113.2	115.4	114.6	112.7				149.2
THEI 58, DEG F	1250	97.0	96.2	95.9	95.3	95.7	96.2	97.9	99.7	101.9	106.9	114.6	118.2	114.7	111.2				150.6
(288, DEG K)	1600	95.5	96.0	95.1	95.2	96.1	96.5	98.5	100.2	102.1	107.3	113.8	116.5	113.9	109.0				149.5
HACT E, GM/M3	2000	97.1	95.3	94.3	96.1	96.5	97.1	97.8	100.1	102.7	106.6	112.4	117.0	113.8	108.0				149.4
(KG/M3)	2500	96.0	96.5	95.2	93.9	94.6	95.7	97.2	99.4	102.5	106.3	110.5	115.9	111.1	105.7				148.0
FREQ. SHIFT	3150	95.0	95.6	95.0	95.2	95.3	94.8	96.3	98.9	101.8	106.1	109.9	114.6	109.3	102.9				146.9
JET 0	4000	93.4	93.9	93.4	93.8	94.9	95.5	96.1	97.9	101.3	104.9	108.0	111.3	104.0	93.5				144.4
DIAMETER RATIO	5000	92.2	93.2	93.1	94.1	93.7	95.0	96.0	98.2	101.8	104.2	106.4	108.8	101.2	93.6				142.9
DE/DH 1.00	6300	90.2	92.8	92.9	94.8	95.3	94.6	95.3	97.6	99.7	102.6	104.3	106.4	99.3	92.0				141.3
	8000	88.9	91.2	92.0	93.7	94.7	94.8	94.4	97.6	99.4	101.1	102.3	103.9	96.3	90.6				140.0
	10000	87.9	90.4	90.9	92.7	94.1	94.3	95.4	97.2	99.3	100.6	99.8	101.2	93.9	88.5				139.1
	12500	85.2	88.5	87.6	90.9	92.3	93.0	94.0	96.4	97.6	100.2	97.6	99.3	90.5	86.4				138.0
	16000	81.6	85.4	86.7	88.5	90.1	90.9	91.5	94.3	95.8	97.2	94.9	96.2	87.7	83.5				135.9
	20000	77.9	82.5	83.4	85.5	86.5	86.7	88.3	90.6	93.4	93.9	92.1	93.1	84.4	81.2				133.2
	25000	74.2	79.1	80.9	82.5	83.2	83.5	85.1	86.6	89.1	90.4	87.9	90.8	82.7	79.4				130.2
	31500	70.5	75.1	76.2	77.9	78.9	80.2	81.5	82.7	84.4	87.3	84.5	88.6	80.9	77.0				127.4
	40000	69.5	72.0	73.2	74.5	75.3	74.4	77.1	78.2	80.3	84.4	80.8	86.0	80.7	77.2				124.9
	50000	71.1	70.8	71.0	71.6	73.2	72.5	74.8	74.7	76.3	83.2	81.2	85.9	83.2	79.6				125.7
	63000	73.1	72.3	70.9	72.2	74.2	73.0	75.2	74.8	73.5	87.1	82.7	86.6	85.6	81.9				129.0
	80000	74.2	72.3	71.9	72.6	75.9	74.7	76.3	76.8	72.7	89.7	84.2	88.0	86.7	83.9				133.8
OVERALL MEASURED																			
OVERALL CALCULATED		106.8	106.6	106.2	106.4	106.9	107.4	108.6	110.9	113.4	117.1	122.4	126.4	124.9	122.5				159.6
PNDB		119.1	119.3	118.8	119.1	119.4	119.8	120.8	123.2	125.9	129.7	133.8	138.1	135.0	131.1				

ORIGINAL PAGE IS
OF POOR QUALITY

231

SPL INPUT AT STD REV: ALPHA 12/73	ANGLES FROM INLET IN DEGREES (AND RADIANS)																	PHL
	30.	40.	50.	60.	70.	80.	90.	100.	110.	120.	130.	140.	150.	160.	0.	0.	0.	
FREQ. (0.52)	(0.70)	(0.97)	(1.09)	(1.22)	(1.40)	(1.57)	(1.75)	(1.92)	(2.09)	(2.27)	(2.44)	(2.62)	(2.79)	(0.)	(0.)	(0.)	(0.)	
NO EGA	50	72.1	71.8	73.1	72.4	73.0	72.8	73.1	74.0	74.9	76.6	79.8	83.0	86.6	89.4			120.5
RUG. NO. 01	63	74.8	74.6	75.9	75.5	75.5	75.4	76.5	76.9	77.9	80.6	83.6	87.6	91.2	93.6			124.6
RADIAL 40 FT.	80	76.9	78.1	78.3	77.9	77.3	77.7	79.6	80.1	81.1	83.9	87.7	91.6	94.0	97.1			128.0
(12 M)	100	80.9	80.4	81.4	80.1	79.9	81.6	84.4	85.1	86.5	88.6	91.4	96.0	100.3	100.4			132.5
VEHICLE JENOTS	125	83.4	82.2	82.2	82.2	82.4	84.7	87.6	87.7	88.7	91.7	93.9	98.3	101.0	102.5			134.4
CONFIG JE-060	160	87.9	84.9	84.9	85.4	85.6	87.4	90.1	90.6	92.9	94.4	96.1	99.4	101.8	102.8			135.8
LOC EVENDALE	200	89.0	87.3	85.8	86.3	86.8	88.8	90.0	91.0	92.5	95.8	99.8	103.6	106.0	107.0			139.2
DATE 05-08-75	250	90.8	89.8	89.3	89.0	89.3	89.8	90.0	91.5	97.0	98.5	102.8	106.0	109.4	106.1			141.4
RUN 09TF-MODEL 4	315	91.8	90.0	90.3	90.5	91.8	91.9	91.0	95.0	95.0	98.8	104.3	106.6	111.2	110.3			143.1
TAPE 40700	400	88.4	86.7	93.0	89.1	90.9	90.9	93.3	95.6	96.3	100.8	102.0	107.8	111.9	108.1			143.3
BAR 29.5 HG	500	89.8	89.8	91.3	89.8	91.2	91.6	94.7	96.2	97.7	99.9	103.2	108.4	109.6	107.8			142.7
(99448, N/M2)	630	89.8	90.9	91.2	89.9	91.4	91.8	94.3	96.1	98.9	101.2	105.7	108.3	110.1	108.6			143.4
TAMB 69, DEG F	800	89.5	91.1	91.6	91.8	92.8	93.0	94.6	97.9	99.3	103.5	105.4	107.0	106.4	106.2			142.3
(294, DEG K)	1000	91.3	90.1	92.3	91.4	92.5	93.7	96.2	97.1	99.9	104.1	105.7	106.9	105.4	102.4			142.0
TNEI 56, DEG F	1250	90.7	91.4	92.4	92.3	93.5	94.2	96.2	98.2	99.7	103.6	106.3	106.0	103.4	101.2			141.7
(286, DEG K)	1600	90.5	92.0	91.9	92.5	93.3	94.7	96.8	98.5	99.8	103.0	105.1	104.5	103.1	100.0			141.0
HACT 0, GH/M3	2000	91.8	90.6	91.3	93.4	95.0	94.9	96.8	99.1	100.7	102.4	104.7	104.8	103.1	100.0			141.1
(1, KG/M3)	2500	91.0	92.3	92.5	91.9	93.8	95.2	96.7	99.1	101.5	103.1	103.7	104.2	102.4	99.2			141.0
FREQ. SHIFT	3150	90.5	92.4	93.0	93.4	94.3	95.8	97.0	99.6	101.8	102.8	103.6	104.1	102.8	99.6			141.1
JET 0	4000	89.4	91.4	91.9	93.0	95.1	95.8	97.8	100.1	102.5	102.3	102.8	102.8	101.3	98.7			140.9
DIAMETER RATIO	5000	89.2	91.0	92.1	92.8	95.0	96.5	98.7	101.7	103.8	103.0	102.7	103.3	101.2	98.1			141.6
DE/DH 1.00	6300	88.7	91.3	92.7	94.3	96.1	98.1	99.6	103.3	103.9	102.1	101.8	101.9	100.0	96.0			141.7
	8000	88.6	90.9	92.7	94.4	96.2	97.8	99.2	102.9	103.4	101.8	100.6	100.1	98.3	95.1			141.4
	10000	87.7	90.1	91.9	93.4	96.1	96.8	98.4	101.9	102.8	101.8	99.0	97.9	96.6	92.5			140.8
	12500	85.5	88.3	90.9	92.3	94.7	95.2	98.3	100.6	100.8	99.9	97.1	96.0	94.0	90.1			139.6
	16000	83.6	87.1	89.4	90.4	93.1	94.4	96.5	98.5	98.5	97.2	94.6	92.9	90.6	87.0			137.9
	20000	80.9	84.9	87.1	88.9	90.7	91.6	94.0	95.5	96.4	93.9	91.3	89.1	87.6	83.9			135.6
	25000	78.6	82.8	84.8	87.2	88.2	89.4	91.1	92.6	93.3	91.1	87.1	84.5	85.1	81.3			133.3
	31500	75.7	79.1	81.8	83.8	84.6	86.9	88.2	89.7	89.3	88.0	84.2	83.3	82.1	78.2			130.7
	40000	73.2	76.4	78.9	80.7	81.0	82.3	84.3	85.4	86.0	84.1	79.5	81.2	80.6	78.9			127.8
	50000	69.8	72.5	75.2	76.8	76.9	79.2	80.7	82.4	82.7	82.3	76.8	82.8	81.6	80.5			126.4
	63000	67.8	69.0	71.1	73.1	73.1	75.9	78.9	80.2	79.9	82.8	75.4	85.8	84.3	83.1			127.9
	80000	67.2	64.8	66.3	68.1	70.1	75.7	78.0	78.9	76.8	83.6	75.4	88.1	85.9	89.1			131.6
OVERALL MEASURED																		154.8
OVERALL CALCULATED		103.1	103.8	104.9	105.3	107.0	108.0	109.9	112.5	113.8	114.9	116.5	118.2	119.5	117.7			
PNDB		115.4	116.5	117.3	117.7	119.2	120.3	122.0	124.8	126.4	127.3	128.5	129.5	129.1	126.7			

232

SPL INPUT AT STD REV. ALPHA 12/73	ANGLES FROM INLET IN DEGREES (AND RADIANS)																PWL	
	30,	40,	50,	60,	70,	80,	90,	100,	110,	120,	130,	140,	150,	160,	0,	0,		0,
FREQ. (0.52)	(0.70)	(0.87)	(1.05)	(1.22)	(1.40)	(1.57)	(1.75)	(1.92)	(2.09)	(2.27)	(2.44)	(2.62)	(2.79)	(0,	(0,	(0,)	
NO EGA	50	66.6	66.8	67.9	68.4	68.2	68.8	68.6	69.5	70.0	71.8	74.5	77.5	80.6	81.4			114.9
RDG. NO, C1	63	68.6	69.8	70.9	71.0	71.0	72.9	71.0	74.2	74.6	76.8	78.6	81.6	84.5	85.6			118.5
RADIAL 40. FT.	80	70.1	71.1	72.3	72.6	72.3	72.7	73.6	75.1	75.8	78.1	81.2	84.4	86.8	89.6			121.0
(12. M)	100	73.4	73.6	74.9	74.4	74.4	75.9	78.7	80.1	80.7	82.6	84.9	88.8	92.0	92.9			125.2
VEHICLE JENOTS	125	75.9	74.9	75.2	76.2	75.9	79.2	81.9	82.2	83.2	85.4	87.4	91.3	93.8	95.8			127.6
CONFIG JE-063	160	79.9	77.1	77.4	79.4	79.1	81.6	83.6	84.4	86.4	87.4	88.4	90.9	93.3	94.6			128.0
LOC EVENDALE	200	79.5	78.8	78.0	79.0	79.3	81.5	82.3	83.8	85.3	87.5	89.8	91.9	94.2	95.5			128.5
DATE 05-09-75	250	80.8	80.8	80.3	81.3	80.8	82.0	82.5	83.8	89.0	88.8	90.8	93.3	96.2	95.4			129.8
RUN DBT-MODEL 4	315	82.5	81.0	81.0	82.0	83.5	84.4	83.3	87.0	86.5	89.0	92.0	93.6	96.9	97.5			130.7
TAPE X40710	400	79.9	77.7	84.3	81.6	82.6	83.2	84.3	87.1	88.3	90.8	91.0	96.3	99.4	94.6			131.7
BAR 29.5 HG	500	79.6	80.3	83.1	81.8	82.4	83.9	86.7	87.4	88.2	89.7	91.7	96.1	93.8				130.8
(99448, N/H2)	630	80.6	82.5	83.2	82.0	83.5	83.5	86.4	87.9	89.4	90.5	94.5	96.8	97.2	94.6			131.8
YAW 74. DEG F	800	81.5	82.9	83.1	84.0	84.5	85.5	86.9	89.4	90.0	93.3	94.5	96.0	94.2	95.7			131.9
(296, DEG K)	1000	83.6	82.6	85.0	84.2	84.8	86.7	87.7	89.1	91.1	94.6	95.2	96.4	94.1	92.2			132.3
TWET 58. DEG F	1250	82.7	83.4	84.6	85.0	85.7	87.2	88.4	89.4	91.4	93.6	96.6	95.7	92.9	90.4			132.3
(288, DEG K)	1600	82.1	84.2	84.7	85.2	86.6	87.2	89.0	90.7	91.6	94.8	94.6	95.0	92.6	89.7			132.1
HACT G1 GM/M3	2000	84.3	84.6	84.3	86.7	87.7	88.4	89.3	91.6	93.5	95.1	95.2	95.0	92.6	90.0			132.7
(, KG/M3)	2500	84.1	86.3	86.5	85.7	87.1	88.9	89.7	92.6	94.8	96.6	95.0	94.7	92.1	90.0			133.4
FREQ. SHIFT	3150	83.8	87.4	87.0	87.7	88.6	89.8	91.5	93.9	95.6	97.9	95.2	95.1	93.1	90.6			134.4
JET 0	4000	83.4	86.9	86.7	88.0	89.4	91.3	92.6	95.2	98.2	97.6	94.8	95.2	92.5	90.2			135.2
DIAMETER RATIO	5000	84.0	87.3	87.8	88.6	90.0	92.1	94.5	97.3	99.1	98.2	95.4	94.9	93.0	90.6			136.2
DF/DM 1.00	6300	84.0	87.8	89.2	90.3	91.9	93.7	94.6	97.8	98.5	98.9	94.8	94.7	92.8	90.3			136.6
233	8000	83.9	88.3	89.5	90.7	92.2	94.6	95.8	98.7	98.2	98.4	94.4	93.4	91.9	89.9			136.9
	10000	85.0	90.2	90.7	91.8	92.2	93.4	94.2	97.8	98.1	97.6	93.6	92.0	91.7	90.0			136.7
	12000	84.6	90.6	92.0	92.2	92.1	92.1	93.4	96.5	96.4	96.3	92.4	90.9	91.6	90.2			136.0
	16000	82.5	88.8	90.8	91.1	91.0	90.5	91.9	94.9	94.4	93.6	90.2	89.3	88.8	86.6			134.7
	20000	79.3	85.3	87.0	87.6	87.3	87.5	88.9	91.7	91.5	90.5	87.2	85.0	84.8	82.1			131.9
	25000	77.9	83.7	85.2	85.4	84.9	84.9	87.2	88.8	88.8	87.6	83.5	82.4	82.5	79.5			129.8
	31500	73.7	79.7	82.0	82.7	81.8	83.3	84.4	86.1	85.5	84.9	80.8	79.2	80.0	75.9			127.6
	40000	71.1	76.6	78.8	80.1	78.9	79.5	80.9	82.6	81.9	80.8	76.7	76.4	76.8	72.8			124.9
	50000	67.4	73.6	75.4	75.9	75.1	75.9	77.4	80.6	79.1	79.0	75.7	76.9	76.5	69.6			123.3
	63000	64.4	70.4	71.5	72.5	71.0	72.0	73.8	79.8	77.5	79.2	75.8	78.9	78.1	68.2			124.1
	80000	61.3	67.6	67.9	69.2	69.4	70.8	71.3	80.5	75.9	79.7	77.2	80.2	79.7	68.4			127.3
OVERALL MEASURED																		
OVERALL CALCULATED		96.3	99.5	100.5	101.1	101.8	103.0	104.3	107.1	108.0	108.6	107.2	108.0	108.0	106.9			147.9
PND8		108.4	111.0	111.4	112.2	113.4	115.0	116.5	119.0	120.7	121.2	119.7	120.3	119.1	117.3			

ORIGINAL PAGE IS OF POOR QUALITY

		ANGLES FROM INLET IN DEGREES (AND RADIANS)															PWL		
SPL INPUT AT STD		30,	40,	50,	60,	70,	80,	90,	100,	110,	120,	130,	140,	150,	160,	0,	0,	0,	PWL
REV. ALPHA	12/73	FREQ. (0.52)	(0.70)	(0.87)	(1.05)	(1.22)	(1.40)	(1.57)	(1.75)	(1.92)	(2.09)	(2.27)	(2.44)	(2.62)	(2.79)	(0,	(0,	(0,	PWL
		50	69.6	71.3	72.6	73.2	72.0	70.8	69.1	67.8	68.4	67.8	70.3	72.5	75.8	77.2			112.7
	NO EGA	63	70.6	72.3	73.9	74.2	73.3	72.9	70.0	70.7	71.1	71.3	73.6	76.4	79.5	81.1			115.2
	RNG. NO. 0	80	70.1	71.9	73.3	74.4	73.5	72.7	71.6	71.6	72.1	73.9	76.7	79.6	82.3	84.4			117.2
	RADIAL 40 FT.	100	70.9	72.1	73.9	74.4	73.9	73.9	74.4	76.1	77.0	78.1	80.1	84.3	87.3	89.2			120.9
	(12, H)	125	72.4	72.2	73.2	74.9	73.9	76.2	78.1	78.2	79.2	81.2	83.2	86.3	89.5	91.0			123.3
	VEHICLE JENOTS	164	76.6	73.9	73.9	76.4	76.1	78.9	80.1	79.9	82.9	83.9	84.1	86.6	89.1	89.8			123.9
	CONFIG JE-063	200	74.5	74.5	74.8	76.0	76.5	78.3	78.3	79.5	81.5	83.8	84.8	87.1	89.0	90.3			123.9
	LOC. EVENDALE	250	76.5	76.5	77.3	77.8	77.8	78.5	78.5	79.8	85.3	84.3	85.8	87.0	89.9	90.9			124.8
	DATE 05-09-75	315	79.0	77.5	77.5	78.5	80.0	80.7	79.0	83.0	82.3	84.5	86.5	87.6	91.2	93.8			125.9
	RUN DBTF-MODEL 4	400	75.9	73.9	77.8	77.1	78.9	78.7	80.0	82.6	83.5	86.3	85.5	91.5	93.7	93.6			126.7
	TAPF X40720	500	75.3	76.6	78.6	77.8	79.2	79.6	81.7	82.7	84.2	84.9	86.2	91.1	90.8	89.3			125.9
	BAR 29.5 HG.	630	76.3	78.7	80.2	79.0	80.0	80.0	82.1	84.1	85.7	86.2	88.7	92.1	91.4	91.3			127.2
	(99448, N/M2)	800	77.0	79.4	79.9	80.5	81.0	81.0	81.9	85.4	85.8	88.3	89.7	91.0	89.2	92.2			127.3
	TAN 74, DEG F	1000	79.6	79.1	80.8	80.4	81.3	82.4	83.9	85.8	87.1	90.6	90.7	91.4	89.6	88.4			128.0
	(296, DEG K)	1250	78.5	79.7	80.6	81.5	82.2	83.4	84.9	86.2	87.7	89.9	91.8	91.0	89.7	86.9			128.2
	THET 58, DEG F	1600	78.6	81.2	81.2	81.7	83.1	84.0	85.3	87.7	88.5	90.8	91.1	90.0	88.6	86.5			128.3
	(288, DEG K)	2000	80.6	80.8	81.3	84.2	84.5	85.6	86.3	88.1	89.7	91.6	91.2	90.8	88.3	86.5			129.1
	HACT 0, G4/H3	2500	80.8	83.1	84.3	83.5	84.4	86.7	87.4	90.1	91.8	93.1	91.5	90.7	88.4	86.0			130.2
	(, KG/H3)	3150	81.6	84.6	85.0	85.2	86.1	87.1	88.5	90.6	92.6	94.4	92.4	91.4	89.6	87.4			131.2
	FREQ. SHIFT	4000	80.9	85.2	85.2	86.3	86.1	88.6	90.1	92.7	94.5	95.4	91.8	90.8	90.2	87.2			132.3
	JET 0	5000	81.0	84.8	85.6	86.6	87.3	89.6	92.0	94.5	95.8	95.7	92.4	91.1	89.0	87.3			133.3
	DIAMETER RATIO	6300	81.0	85.0	86.2	87.8	88.6	90.4	91.6	94.3	96.0	95.4	92.1	90.2	88.3	86.8			133.4
	DF/DM 1.00	8000	80.2	85.0	86.8	87.7	88.7	90.3	90.7	93.7	95.2	95.1	91.4	88.9	87.6	82.4			133.1
		10000	81.7	87.2	83.7	89.3	89.0	89.4	93.2	93.3	94.6	94.4	89.9	88.0	86.9	86.3			133.1
		12500	81.3	87.6	89.0	88.4	88.1	87.8	89.4	92.7	92.9	93.0	88.7	87.4	86.8	87.0			132.4
		15000	81.2	87.3	80.5	88.3	87.8	86.8	87.6	90.9	91.4	90.6	86.7	86.8	87.8	86.4			131.5
		20000	79.3	85.8	86.0	86.1	84.8	83.5	85.2	87.9	89.0	87.5	84.5	84.0	85.5	84.1			129.4
		25000	76.9	83.0	83.2	83.4	81.1	80.9	82.2	85.0	86.3	84.6	80.8	79.9	81.5	80.2			126.9
		31500	72.2	79.0	79.5	79.5	77.5	78.6	79.6	81.6	81.7	81.7	77.8	76.7	77.8	75.9			123.9
		40000	68.9	75.1	76.3	76.4	75.2	74.2	75.9	78.1	78.4	77.3	73.4	72.6	73.6	72.6			121.1
		50000	65.4	71.6	73.1	73.2	71.6	71.4	73.1	74.8	74.3	75.0	70.0	70.9	70.8	68.6			119.0
		63000	62.4	68.6	69.5	70.2	69.3	68.8	71.0	72.3	70.8	74.9	68.3	70.4	70.1	68.0			118.8
		80000	60.3	66.6	67.1	68.2	68.9	69.0	71.1	71.0	67.4	75.9	68.5	71.5	70.7	68.4			121.5
	OVERALL MEASURED		93.2	97.0	98.0	98.4	98.6	99.6	100.8	103.4	104.8	105.3	103.3	103.5	103.3	102.9			143.8
	OVERALL CALCULATED		105.4	108.3	108.9	109.8	110.2	111.8	113.4	115.8	117.3	118.1	116.2	115.9	115.2	113.6			
	PADB																		

SPL INPUT AT STD REV, ALPHA 12/73	ANGLES FROM INLET IN DEGREES (AND RADIANS)																		PWL
	30. (0.52)	40. (0.70)	50. (0.87)	60. (1.05)	70. (1.22)	80. (1.40)	90. (1.57)	100. (1.75)	110. (1.92)	120. (2.09)	130. (2.27)	140. (2.44)	150. (2.62)	160. (2.79)	0. (0.)	0. (0.)	0. (0.)		
NO EGA.	50	60.8	61.3	62.1	62.9	64.0	63.6	64.4	64.5	65.6	65.6	66.5	68.5	71.8	73.7			107.3	
RDG. NO. 0.	63	63.3	63.8	64.4	65.0	65.8	66.5	66.7	66.5	67.6	68.6	69.3	71.9	75.5	78.8			110.6	
RADIAL 40, FT. (12, M)	80	64.9	65.6	66.0	65.6	66.5	66.7	68.1	69.1	70.3	71.6	72.7	75.9	78.8	80.9			113.2	
VEHICLE JENOTS	100	67.4	66.9	67.6	67.9	68.9	69.9	72.2	73.1	74.5	75.4	76.6	80.8	84.5	85.7			117.8	
CONFIG JE=057	125	69.9	68.7	68.7	70.2	70.2	72.4	74.9	74.7	76.7	78.7	80.2	83.6	87.3	89.0			120.7	
LCC EVENDALE	160	73.6	71.4	71.4	72.1	72.5	74.6	77.3	77.1	80.4	80.6	81.4	84.9	88.6	90.8			122.5	
DATE 04-30-75	200	75.5	75.3	73.3	74.0	74.5	76.5	77.5	79.0	80.0	82.0	83.3	86.6	90.0	93.5			124.3	
RUN DBTP=MODEL 5	250	77.5	77.3	77.0	78.0	77.8	78.3	79.0	80.8	80.3	82.3	83.3	87.0	90.9	93.4			125.8	
TARE X50010	315	80.8	79.5	78.0	79.5	81.0	82.2	81.0	84.8	85.3	86.0	87.0	88.1	91.2	95.3			127.1	
BAR 29.3 HG (98807, N/M2)	400	76.4	73.7	75.8	77.1	78.9	78.2	79.8	81.3	82.5	83.6	81.8	88.0	91.7	90.3			124.8	
TAMB 65, DEG F (291, DEG K)	500	74.3	75.8	77.3	76.3	77.2	78.1	79.7	80.7	82.4	83.4	84.2	90.6	91.3	91.3			125.4	
WET 60, DEG F (289, DEG K)	600	77.2	77.4	78.4	79.0	79.0	78.5	79.9	82.1	83.5	85.5	86.9	88.5	89.7	91.2			125.4	
HACT 0, GM/M3 (, KG/M3)	1000	78.3	77.4	79.0	78.6	79.5	80.4	81.9	82.6	83.6	84.8	85.4	87.9	88.6	86.2			124.6	
FREQ. SHIFT	1250	77.7	77.4	78.6	78.8	79.0	79.9	82.4	82.4	83.4	84.9	86.1	88.0	87.2	83.4			124.4	
JET 0	1600	77.5	78.5	78.6	79.0	79.3	80.0	81.3	81.7	82.8	83.7	84.8	86.4	84.4	81.2			123.3	
DIAMETER RATIO	2000	78.6	77.6	77.8	80.1	80.2	80.8	80.5	81.6	82.7	83.4	84.6	85.7	82.3	80.3			123.0	
DF/DH 1.00	2500	78.0	78.3	79.2	78.7	79.3	80.1	80.1	81.4	82.7	83.0	83.7	84.1	80.6	77.7			122.4	
	3150	76.2	78.6	78.7	79.6	79.3	79.0	80.2	81.3	83.0	84.0	83.8	83.0	80.2	77.6			122.5	
	4000	74.8	78.3	79.1	79.7	79.2	79.4	80.5	81.6	83.1	85.0	84.9	82.6	79.4	77.1			122.9	
	5000	75.8	79.6	79.7	80.2	80.1	79.9	81.1	82.1	83.9	86.1	87.8	84.7	79.8	78.7			124.2	
	6300	75.2	79.8	80.0	80.8	81.6	82.2	82.1	84.1	85.3	86.2	86.6	83.9	80.6	79.1			124.8	
	8000	74.7	79.6	80.4	81.1	81.6	82.4	82.6	84.5	86.6	88.2	86.5	82.8	80.2	79.0			125.7	
	10000	74.9	80.1	81.1	81.4	81.6	82.1	82.2	84.2	86.3	88.6	88.1	81.9	80.6	78.7			126.2	
	12500	72.9	79.7	80.5	80.9	80.9	81.1	82.2	83.7	85.4	86.3	87.4	80.9	78.8	77.2			125.5	
	16000	70.3	77.1	77.9	77.2	78.6	78.9	80.7	81.7	82.5	84.4	83.6	78.4	76.6	74.5			123.4	
	20000	65.8	72.6	73.3	73.6	74.1	74.5	76.6	77.9	80.0	81.0	79.9	74.4	73.0	70.8			120.2	
	25000	62.0	68.7	69.7	69.8	70.0	71.5	73.2	74.4	75.9	77.5	75.2	70.8	69.7	67.2			117.0	
	31500	56.9	63.4	64.3	65.2	64.7	67.0	68.9	70.5	71.7	73.1	71.6	66.9	66.0	62.9			113.3	
	40000	53.2	58.7	59.4	60.0	60.0	60.8	63.0	64.2	66.0	69.1	65.5	62.7	62.4	60.4			108.9	
	50000	53.2	54.9	54.1	55.4	55.6	56.4	58.2	59.3	59.9	68.5	62.0	62.7	62.8	61.4			107.4	
	63000	54.6	54.3	52.5	54.7	56.2	55.2	56.2	57.3	55.5	70.6	62.9	65.2	65.4	63.7			110.5	
	80000	56.5	53.9	52.9	54.9	57.4	56.8	57.9	58.6	54.5	73.2	64.8	67.8	67.3	66.0			115.9	
OVERALL MEASURED																			
OVERALL CALCULATED		89.9	91.4	92.0	92.4	92.9	93.4	94.3	95.7	97.3	98.5	98.9	99.7	101.0	102.4			138.2	
PNDB		101.9	103.4	103.9	104.5	104.7	105.2	105.9	107.3	108.8	110.1	111.1	110.4	109.4	110.0				

ORIGINAL PAGE IS
OF POOR QUALITY

ANGLES FROM INLET IN DEGREES (AND RADIANs)

SPL INPUT AT STD	30.	40.	50.	60.	70.	80.	90.	100.	110.	120.	130.	140.	150.	160.	0.	0.	0.	PWL
REV. ALPHA 12/73	FREQ. (0.52)	(0.70)	(0.87)	(1.05)	(1.22)	(1.40)	(1.57)	(1.75)	(1.92)	(2.09)	(2.27)	(2.44)	(2.62)	(2.79)	(0.0)	(0.0)	(0.0)	
NO EGA	50	62.8	62.8	64.1	64.2	64.7	65.1	66.1	65.8	68.4	68.6	69.5	72.0	75.8	77.4			110.3
RDG. NO. 0.	63	65.6	65.6	66.6	66.7	67.0	67.4	69.0	69.4	69.9	70.8	72.6	75.6	79.5	81.3			113.5
RADIAL 40, FT.	80	68.1	68.1	68.5	68.9	69.3	69.2	70.8	71.3	72.8	74.1	76.0	79.1	82.8	85.1			116.7
(12, H)	100	70.6	69.4	70.1	70.6	70.9	72.1	75.2	75.2	77.7	78.4	79.9	84.3	88.3	89.2			121.3
VEHICLE JENOTS	125	72.9	71.4	71.4	72.9	72.9	75.2	77.9	77.7	79.4	81.9	83.2	87.1	91.0	92.8			124.2
CONFIG JE-057	160	76.9	74.6	74.6	75.6	75.9	78.1	80.3	80.1	83.4	84.4	85.1	88.4	92.3	94.3			126.1
LOG EVENDALE	200	77.0	77.3	75.5	76.8	77.3	78.8	80.0	81.0	83.3	85.3	86.3	88.9	93.0	96.0			127.0
DATE 04-30-75	250	79.5	79.5	79.0	79.8	79.8	80.3	81.0	82.3	87.5	86.5	88.0	89.0	93.4	95.4			127.7
RUN DSTF MODEL 5	315	81.5	80.3	79.0	81.0	82.0	82.9	81.5	85.3	85.3	86.3	88.0	89.4	93.4	97.0			128.3
TAPE X50030	400	77.9	75.7	77.3	78.9	80.4	79.9	81.5	82.8	85.0	86.1	85.0	91.5	94.7	92.8			127.5
BAR 59.3 HG	500	77.1	78.3	79.6	78.8	79.7	80.6	82.7	83.4	85.9	86.4	88.2	93.9	94.6	93.1			128.4
(98807, N/M2)	636	78.3	79.7	80.7	79.4	80.9	80.8	83.3	84.4	85.9	85.7	87.4	91.8	92.6	93.8			127.7
TAMB 65, DEG F	800	79.2	80.1	80.6	81.3	81.5	81.3	82.6	84.9	86.3	89.0	90.2	92.0	91.9	92.4			123.1
(291, DEG K)	1000	79.6	79.7	81.0	81.1	82.0	82.7	84.4	85.1	86.4	87.6	88.7	90.7	90.6	86.9			127.1
WET 60, DEG F	1250	80.2	79.7	80.6	81.0	81.5	81.9	84.9	84.7	86.2	87.9	89.3	91.2	88.7	84.4			127.0
(289, DEG K)	1600	79.5	81.0	82.1	81.7	82.3	83.5	84.0	85.2	86.1	87.5	88.3	88.9	86.6	83.0			126.4
HACT 0, GM/M3	2000	81.6	81.6	82.3	83.9	84.0	84.3	84.3	85.1	86.2	87.1	87.9	88.7	85.6	82.3			125.5
(, KG/M3)	2500	80.3	82.0	83.4	82.7	83.3	83.9	84.1	85.4	87.0	88.3	87.9	87.1	83.4	80.2			125.4
FREQ. SHIFT	3150	80.0	82.8	84.4	84.4	84.5	84.3	84.9	86.0	87.7	90.3	88.1	86.0	83.7	81.1			127.3
JET	4000	79.0	83.3	84.1	85.4	85.2	85.2	85.7	87.6	89.9	91.8	88.6	85.1	83.1	80.6			128.5
DIAMETER RATIO	5000	80.1	84.6	85.9	86.9	86.1	86.4	87.4	88.9	92.4	95.3	91.0	87.9	84.3	82.7			130.8
DF/DM 1.00	6300	81.7	87.0	89.2	90.6	88.9	89.2	89.9	90.9	93.3	96.7	93.1	89.7	86.8	85.6			132.9
	8000	81.3	85.9	87.4	88.1	88.9	89.9	91.1	93.0	95.1	96.7	94.3	90.1	86.7	85.5			133.7
	10000	81.2	86.6	87.9	88.7	89.1	90.1	91.2	93.7	96.6	98.1	94.8	89.9	87.1	85.2			134.9
	12500	80.6	88.7	88.2	88.7	89.4	90.4	92.2	93.2	95.9	97.8	94.9	89.1	87.1	84.2			135.1
	16000	78.8	85.9	86.6	86.7	87.8	88.6	90.7	93.0	95.0	95.7	93.1	88.1	85.6	83.7			134.1
	20000	77.3	85.1	85.3	85.3	85.3	86.0	88.1	89.9	92.0	93.0	90.2	85.9	83.7	82.0			131.9
	25000	73.7	82.4	83.9	83.5	82.3	83.0	84.4	85.4	86.7	89.7	85.7	82.4	81.7	79.4			129.1
	31500	68.4	77.4	79.0	78.9	77.2	79.0	81.1	82.5	84.2	85.1	82.1	77.4	76.5	74.1			125.4
	40000	64.0	72.2	73.7	73.5	72.8	73.6	75.6	77.4	79.0	80.1	75.5	71.4	70.6	68.1			120.8
	50000	59.2	65.9	68.4	68.7	67.8	69.1	71.2	72.6	73.9	76.3	70.8	68.0	66.6	64.4			117.3
	63000	57.4	60.6	64.9	64.9	66.2	66.5	67.5	69.0	69.2	73.4	66.2	66.9	66.6	64.7			115.9
	80000	57.3	56.1	63.2	63.4	66.9	66.8	67.9	68.6	65.5	74.7	65.0	68.0	67.3	66.2			119.1
OVERALL MEASURED																		
OVERALL CALCULATED		93.3	96.7	97.9	98.5	98.6	99.3	100.6	102.2	104.5	106.2	104.1	103.4	104.1	104.8			144.2
PND8		105.1	108.3	109.7	110.7	110.1	110.5	111.4	112.7	114.9	117.2	115.2	114.2	113.0	112.6			

562

SPL INPUT AT STD	REV, ALPHA 12/73	30.	40.	50.	60.	70.	80.	90.	100.	110.	120.	130.	140.	150.	160.	0.	0.	0.	PWL
NO EGA	50	72.1	68.3	67.1	66.7	67.5	67.3	68.1	69.5	70.6	71.1	73.3	76.3	80.1	81.4				114.0
RDG, NO, 0	63	76.3	69.8	69.9	69.7	69.8	70.1	71.5	71.9	73.4	74.6	77.1	79.9	83.7	87.1				118.1
RADIAL 40, FT	80	74.4	72.1	72.3	71.6	72.0	72.2	73.8	74.6	76.1	77.6	80.0	83.9	86.8	89.4				120.8
(12, M)	100	78.1	73.9	74.1	74.4	74.4	75.6	78.2	79.1	81.0	81.4	83.9	88.0	92.5	93.4				125.2
VEHICLE JENOTS	125	82.2	78.2	78.9	76.7	75.9	78.2	81.1	81.4	83.4	85.4	86.9	91.1	94.8	96.0				127.9
CONFIG JE-057	180	86.4	78.1	78.1	78.9	79.1	81.4	83.8	84.1	87.1	88.1	88.9	92.6	95.8	97.8				129.8
LOC EVENDALE	200	84.0	80.5	78.8	79.5	80.5	82.0	83.3	84.5	86.8	88.3	89.8	93.6	96.5	99.3				130.6
DATE 04-30-75	250	82.5	82.0	82.0	82.5	82.3	83.3	83.8	85.0	90.3	89.5	91.0	93.0	97.4	97.9				130.9
RUN DBTF-MODEL 5	319	84.0	81.8	81.8	83.5	84.5	85.2	84.3	87.8	87.8	89.0	91.8	93.4	97.2	100.0				131.5
TAPE X50050	400	80.9	78.4	80.3	81.6	83.4	83.2	84.8	86.3	87.8	90.3	89.0	95.0	98.7	95.6				131.1
BAR 29.3 HG	500	81.3	81.3	82.8	82.3	83.4	84.6	86.4	87.2	90.2	90.2	92.2	97.6	98.8	95.1				132.2
(98607, N/M2)	630	81.3	82.9	84.2	82.9	84.2	84.3	86.8	88.4	89.7	89.9	92.4	96.3	97.1	98.3				131.7
YAMB 66, DEG F	800	82.2	82.9	84.1	84.5	85.3	84.8	86.6	89.1	90.8	93.3	94.7	96.3	95.2	93.9				132.0
(292, DEG K)	1080	83.1	82.6	84.3	84.4	85.3	86.2	87.9	88.6	90.8	92.1	93.7	94.9	93.3	89.7				131.0
THET 60, DEG F	1250	82.5	83.2	84.1	84.5	85.2	86.2	88.9	88.7	90.4	92.6	93.8	95.0	91.2	88.4				131.0
(289, DEG K)	1600	82.3	83.7	83.9	85.0	85.6	87.2	88.0	89.2	90.3	92.0	93.3	93.0	90.1	86.5				130.4
HACT 0, GM/M3	2000	84.3	84.1	84.0	86.4	87.5	87.8	88.8	89.3	90.7	92.6	92.4	93.0	89.6	86.5				130.7
(, KG/M3)	2500	83.3	85.3	86.2	85.4	86.8	87.9	88.7	89.9	92.2	93.8	91.5	91.6	88.4	85.4				130.9
FREQ. SHIFT	3150	82.5	85.8	86.4	87.6	87.8	88.3	89.2	90.3	93.0	95.8	91.6	91.0	88.0	85.6				131.7
JET 0	4000	81.8	85.5	86.8	87.9	88.2	88.9	90.2	92.1	94.4	96.5	91.1	89.9	87.1	85.1				132.5
DIAMETER RATIO	5000	83.1	87.1	87.7	88.9	89.6	90.7	92.1	94.1	97.4	98.8	92.0	90.7	88.1	85.7				134.6
DF/DM 1.00	6300	86.2	92.6	93.5	93.3	93.9	93.7	94.4	96.1	99.3	100.9	93.9	92.7	92.3	89.3				137.3
	8000	84.8	89.1	89.9	91.4	92.6	93.9	95.1	97.3	100.1	101.8	94.8	91.8	89.0	87.3				137.8
	10000	87.0	91.9	91.9	92.7	94.2	95.3	96.7	98.7	102.1	103.4	96.3	92.9	90.9	89.2				139.8
	12500	87.9	94.2	93.8	94.0	94.9	95.9	97.7	100.0	101.5	103.8	98.0	94.4	92.6	90.3				140.7
	16000	86.6	98.4	93.7	93.5	94.9	95.7	97.3	99.8	101.6	103.0	97.4	94.2	92.2	90.0				140.7
	20000	84.8	89.9	90.8	91.6	92.6	93.6	95.9	97.7	100.3	100.3	96.3	92.5	90.1	87.1				139.2
	25000	82.3	88.0	88.0	89.8	89.8	91.6	93.2	95.0	97.3	98.0	93.3	90.2	88.0	84.2				137.1
	31500	77.9	83.5	84.0	86.0	85.5	88.6	90.2	91.4	93.0	94.5	89.1	85.7	83.5	79.2				133.9
	40000	73.8	79.0	79.5	82.0	81.8	82.6	84.8	86.5	89.1	90.1	83.6	80.0	78.2	74.2				130.1
	50000	69.2	73.7	74.4	76.2	76.6	77.9	80.4	82.9	84.9	86.6	79.3	76.8	75.4	72.5				127.1
	63000	66.2	68.6	69.3	71.0	71.8	72.5	75.5	77.6	81.5	82.9	76.5	75.7	75.6	73.7				125.4
	80000	66.1	65.1	64.9	66.5	68.5	69.3	70.9	78.8	77.7	80.5	75.0	77.0	76.8	75.5				126.4
OVERALL MEASURED																			
OVERALL CALCULATED		98.1	101.6	102.0	102.6	103.5	104.4	105.9	107.9	110.3	111.7	107.5	107.6	108.1	107.9				140.4
PNDB		109.1	112.4	113.2	113.6	114.2	114.7	115.7	117.3	120.8	121.6	117.6	117.8	117.3	115.8				

ORIGINAL PAGE IS OF POOR QUALITY

SPL INPUT AT STD REV. ALPHA 12/73	ANGLES FROM INLET IN DEGREES (AND RADIANS)																PWL	
	30.	40.	50.	60.	70.	80.	90.	100.	110.	120.	130.	140.	150.	160.	0.	0.		0.
FREQ. (0.52)(0.70)(0.87)(1.05)(1.22)(1.40)(1.57)(1.75)(1.92)(2.09)(2.27)(2.44)(2.62)(2.79)(0.)(0.)(0.)	50	62.3	62.3	62.9	62.9	63.0	62.3	63.9	64.8	65.9	65.8	68.3	70.8	74.6	76.2			108.8
NO EGA	63	64.3	64.8	64.4	64.2	64.5	65.1	66.0	67.2	68.1	68.8	71.1	74.1	78.2	81.3			112.3
RDG. NO. 0.	80	66.1	66.9	66.8	66.6	66.8	66.9	68.8	69.6	71.1	72.4	74.7	78.4	81.0	83.1			115.1
RADIAL 40 FT.	100	69.1	69.4	68.6	68.6	68.9	70.6	72.7	74.1	75.7	76.4	78.4	82.8	86.5	87.2			119.5
(12. M)	125	71.9	69.9	69.7	71.2	70.9	72.9	75.6	76.2	77.9	79.9	81.7	85.8	89.3	91.0			122.6
VEHICLE JENOTS	180	76.1	73.4	73.4	73.6	74.1	75.4	78.8	78.6	81.9	82.9	83.6	87.1	90.6	92.8			124.5
CONFIG JE=057	200	75.8	76.0	73.8	74.5	75.5	76.5	78.3	79.3	81.5	83.8	85.6	89.9	92.7	96.0			126.7
LOC EVENDALE	250	79.8	79.3	78.0	79.0	78.3	79.3	80.0	82.3	88.3	87.5	89.5	91.3	93.4	96.6			129.0
DATE 04-30-75	315	82.8	80.8	79.3	81.3	82.5	84.2	82.5	85.0	87.0	88.8	90.0	91.1	95.2	99.5			130.3
RUN DBTF=MODEL 5	400	79.4	78.4	77.3	79.4	81.9	81.2	82.8	84.8	86.8	88.3	86.8	92.5	95.9	94.3			128.9
TAPE X50060	500	76.1	76.8	77.8	77.0	77.9	78.6	81.2	81.9	84.4	84.9	87.4	93.9	95.3	93.8			128.3
SAR 29.3 HG	630	77.3	77.9	79.2	77.9	79.2	78.5	81.1	82.1	84.2	84.7	87.2	92.1	93.4	95.8			127.8
(98807, N/M2)	800	77.5	76.7	78.9	79.5	80.3	79.0	81.1	82.9	85.0	87.3	89.4	93.0	92.4	92.9			127.8
TAMB 68 DEG F	1000	78.6	77.9	79.8	79.1	79.5	80.2	82.2	82.8	84.4	86.6	87.7	90.7	90.4	88.2			126.2
(293, DEG K)	1250	77.2	77.7	78.6	79.5	79.7	80.2	82.9	82.7	84.4	85.9	88.1	90.7	88.7	85.2			125.8
THEY 61 DEG F	1600	78.8	78.7	79.4	79.5	80.1	80.7	82.3	82.5	83.8	85.7	87.6	88.7	86.1	82.7			124.9
(289, DEG K)	2000	78.8	77.8	78.5	80.9	81.0	81.3	81.5	82.1	83.2	84.6	85.9	87.2	84.3	81.3			124.1
HACT D. GM/M3	2500	78.0	78.8	80.5	78.9	79.3	80.6	80.7	81.6	84.0	84.5	85.0	85.9	81.4	78.4			123.4
(. KG/M3)	3150	76.5	79.3	79.9	80.6	80.3	80.3	81.2	82.8	84.0	85.5	84.9	84.3	81.0	78.3			123.6
FREQ. SHIFT	4000	75.5	78.3	79.8	80.2	80.0	80.4	81.0	82.1	84.4	87.0	85.4	83.2	78.9	77.1			123.8
JET 0	5000	76.1	79.6	80.4	81.2	80.9	81.4	82.6	83.6	85.4	88.8	88.8	86.0	80.3	78.7			125.7
DIAMETER RATIO	6300	76.2	80.6	81.3	81.8	82.4	82.7	83.4	84.1	86.5	87.9	88.6	85.9	81.1	79.8			126.1
DF/DM 1.00	8000	75.6	80.6	81.2	81.9	81.9	82.7	83.1	83.1	85.1	87.6	88.8	87.5	84.1	80.5	79.3		126.4
	10000	75.7	80.9	81.9	82.0	82.4	82.8	82.2	85.0	87.1	90.6	88.1	82.7	80.4	78.8			127.2
	12500	74.4	80.9	82.0	81.8	81.9	82.6	82.9	84.8	86.2	87.6	86.2	81.9	79.4	78.0			126.5
	16000	72.1	78.4	79.4	78.7	79.9	81.2	81.5	83.3	84.8	86.0	84.4	79.4	77.4	75.8			124.9
	20000	67.8	74.1	73.3	73.4	75.9	77.1	78.2	80.2	81.8	83.3	80.3	75.8	73.3	71.9			122.0
	25000	64.5	70.2	71.7	71.8	71.8	73.4	75.2	76.8	78.8	79.4	76.5	72.2	70.5	68.5			119.0
	31500	59.2	65.3	66.0	66.5	66.6	69.3	71.2	73.1	73.8	75.5	72.9	68.5	66.3	63.9			115.3
	40000	55.0	60.5	61.0	61.5	61.6	62.4	65.1	67.8	68.9	70.4	66.9	63.8	63.2	61.2			110.8
	50000	54.0	55.7	55.9	56.5	57.2	57.7	59.5	64.4	63.4	69.1	62.8	64.0	63.1	61.7			108.9
	63000	55.4	54.4	53.5	55.0	57.3	55.3	57.0	63.1	62.3	71.2	63.0	66.2	65.7	64.2			111.9
	80000	56.6	54.4	54.0	55.0	58.3	56.6	58.2	67.4	63.3	73.5	64.6	68.3	67.3	66.0			116.9
OVERALL MEASURED																		
OVERALL CALCULATED		90.9	92.3	92.9	93.3	93.8	94.3	95.2	96.7	98.8	100.4	100.8	102.7	104.2	105.4			140.2
PNDB		102.4	104.1	104.8	105.3	105.5	105.9	106.9	108.1	110.1	112.3	112.6	112.5	112.1	112.6			

SPL INPUT AT STD REV, ALPHA 12/73	ANGLES FROM INLET IN DEGREES (AND RADIANS)																PWL	
	30.	40.	50.	60.	70.	80.	90.	100.	110.	120.	130.	140.	150.	160.	0.	0.		0.
NO EGA	50	63.8	64.6	65.1	65.4	66.0	65.8	66.6	67.5	68.9	69.8	72.0	75.0	78.3	80.7			112.5
RDG, NO. 0.	60	67.1	67.3	67.6	67.7	68.3	68.6	69.8	70.4	71.6	73.3	75.3	78.1	82.2	85.8			116.4
RADIAL 40. FT.	100	72.9	71.6	72.1	71.9	72.1	73.9	76.4	77.3	78.7	79.9	82.1	86.8	91.0	91.4			123.5
VEHICLE (12. M) JENOTS	125	74.9	73.9	73.7	74.4	74.2	76.7	79.4	79.4	81.2	83.2	85.4	89.8	93.3	94.5			126.3
LOC EVENDALE	160	79.4	78.6	78.6	77.1	77.4	79.1	82.1	82.1	85.1	86.1	87.4	91.1	94.1	96.3			128.1
DATE 04*30-73	200	79.8	79.3	76.8	78.0	78.5	80.0	81.3	82.3	85.0	87.0	88.6	92.6	96.0	98.8			129.7
RUN DBTF=MODEL 5	250	82.3	81.5	80.3	81.3	81.0	81.3	81.8	83.8	87.0	89.5	91.3	94.3	97.9	98.6			131.3
TAPE X50080	315	83.5	81.8	80.8	82.0	83.5	84.2	83.8	87.3	88.0	89.8	91.5	93.1	97.7	100.8			131.8
BAR 29.3 HG	400	80.4	77.7	79.8	79.9	82.4	82.2	83.8	85.8	88.3	89.6	88.5	95.0	97.9	96.8			130.8
(98807, N/M2)	500	79.1	79.6	81.1	80.3	80.7	81.4	84.4	85.7	87.9	88.7	90.7	97.1	98.1	95.1			131.2
YAMB 66, DEG F	630	79.8	80.4	81.7	80.4	82.2	81.5	84.6	85.4	87.7	88.2	90.7	95.6	96.4	96.6			130.5
(292, DEG K)	800	79.9	80.9	81.4	81.8	82.3	84.1	86.4	86.5	88.5	90.5	92.9	95.3	94.4	93.9			130.4
THEY 60, DEG F	1000	81.1	79.9	81.8	81.9	82.8	83.7	85.2	86.3	87.6	89.8	91.4	92.9	92.1	88.9			128.9
(289, DEG K)	1250	80.5	80.7	81.4	82.3	82.2	83.4	86.2	86.2	87.7	89.4	91.1	93.5	90.2	86.4			128.6
HACT 0. GM/M3	1600	80.0	82.0	82.4	82.2	83.8	84.2	85.3	86.2	87.1	88.5	90.1	91.2	87.9	84.5			127.7
(, KG/M3)	2000	82.3	81.8	82.8	84.9	85.2	85.8	85.8	86.3	87.7	88.4	89.6	90.0	86.8	83.8			127.8
FREQ, SHIFT	2500	81.5	83.0	84.7	83.9	84.3	85.1	85.7	86.9	88.0	89.3	88.5	89.1	84.4	81.9			127.6
JET 0	3150	80.7	83.8	85.4	86.1	86.0	86.0	86.7	87.8	88.7	91.0	88.6	87.5	84.5	81.8			128.5
DIAMETER RATIO	4000	80.0	83.5	85.6	86.7	86.5	86.4	87.5	89.1	91.4	93.3	88.4	87.1	84.1	82.1			129.7
DF/DM 1.00	5000	81.3	86.3	86.7	87.9	87.4	88.4	88.9	90.6	93.7	96.8	90.8	88.7	85.8	83.9			132.1
	6300	85.7	93.1	93.0	92.8	91.4	92.4	92.1	93.4	95.0	98.9	93.6	91.2	90.1	87.8			135.2
	8000	82.3	86.6	87.4	89.6	90.1	91.2	92.1	94.1	96.9	99.5	94.3	90.3	87.8	85.8			135.3
	10000	83.0	87.9	88.9	90.2	91.4	92.1	92.7	95.7	99.1	100.9	95.3	90.7	88.4	86.2			137.0
	12500	82.9	88.7	89.3	90.5	92.1	92.4	93.7	95.8	97.7	100.8	96.5	91.4	89.1	87.0			137.3
	16000	82.1	88.2	89.7	89.2	91.1	91.9	93.5	95.0	97.3	99.0	94.9	90.4	88.9	86.8			136.7
239	20000	81.6	89.9	90.8	90.1	89.6	89.6	91.2	93.2	95.1	96.6	92.8	89.0	88.8	87.1			135.4
	25000	77.8	85.5	87.0	87.6	86.3	86.3	88.2	89.5	92.0	93.3	88.3	84.7	83.8	82.0			132.5
	31500	72.7	80.2	81.0	82.5	81.3	83.1	84.9	86.1	87.3	89.0	84.6	79.5	78.0	75.9			128.7
	40000	69.0	75.7	77.0	78.0	77.3	78.1	80.3	81.5	83.3	84.9	78.6	73.5	72.9	72.4			125.1
	50000	63.5	70.2	71.9	73.0	72.9	73.7	76.2	76.6	78.4	81.8	74.8	69.8	69.1	71.5			122.0
	63000	58.9	66.1	66.8	68.5	68.5	69.0	71.0	72.3	75.5	81.7	73.5	67.7	66.6	74.2			121.8
	80000	57.6	63.9	63.7	65.2	67.7	67.3	68.9	69.3	73.7	83.5	74.8	68.5	66.3	75.5			125.5
OVERALL MEASURED																		
OVERALL CALCULATED		95.3	99.3	100.0	100.5	100.8	101.4	102.5	104.2	106.6	108.8	105.6	106.4	107.2	107.6			146.6
PNDB		107.4	111.6	112.0	112.4	111.9	112.7	113.2	114.6	116.6	119.3	116.3	116.2	115.5	115.2			

ORIGINAL PAGE IS OF POOR QUALITY

50.5

SPL INPUT AT STD		ANGLES FROM INLET IN DEGREES (AND RADIANS)															PWL				
REV	ALPHA 12/75	FREQ	(0.52)	(0.70)	(0.87)	(1.05)	(1.22)	(1.40)	(1.57)	(1.75)	(1.92)	(2.09)	(2.27)	(2.44)	(2.62)	(2.79)	(0)	(0)	(0)	PWL	
		30	40	50	60	70	80	90	100	110	120	130	140	150	160						
		50	63.3	68.1	68.9	68.9	69.5	69.6	70.6	71.3	72.4	73.6	76.0	79.5	83.6	84.2					116.7
	NO EGA	63	72.1	72.3	71.9	71.5	71.8	71.9	73.3	73.9	75.6	77.3	79.6	83.1	87.0	88.3					120.3
	RDG. NO. 0.	80	74.4	74.1	74.3	73.4	73.5	74.2	76.6	76.6	78.8	80.4	83.2	87.6	90.3	91.4					123.6
	RADIAL 40, FT.	100	76.9	75.9	76.1	76.1	76.1	77.9	80.7	81.6	83.2	84.1	86.6	91.5	95.3	95.7					127.9
	(12. M)	125	79.7	78.2	78.2	79.2	78.7	80.4	83.4	83.2	85.2	87.4	89.7	93.8	97.0	98.3					130.2
	VEHICLE JENOTS	150	84.1	81.4	80.9	81.4	81.4	83.1	86.6	86.1	89.4	90.4	91.9	95.4	98.6	100.1					132.3
	CONFIG JE=057	200	84.0	83.0	81.0	82.3	82.8	83.5	85.5	86.3	88.5	91.0	93.1	97.1	100.5	102.8					133.9
	LOC EVENDALE	250	85.3	85.3	84.0	84.5	84.3	85.0	86.3	87.3	92.8	92.9	94.8	98.0	101.9	102.1					134.9
	DATE 04-30-75	315	86.3	84.8	83.8	85.0	86.5	87.2	86.5	90.0	90.5	92.8	95.5	97.9	102.7	105.3					136.0
	RUN DBTF=MODEL 5	400	82.9	81.2	82.5	83.4	85.4	85.7	87.3	88.8	91.5	93.8	93.0	99.0	102.9	100.8					135.1
	TAPE X50100	500	82.6	83.8	85.1	84.5	85.7	86.4	88.9	89.9	92.2	92.9	94.9	101.4	101.8	98.8					135.3
	BAR 29.3 HG	630	84.1	84.9	83.7	84.7	85.7	86.0	88.8	90.1	92.7	93.2	95.9	100.1	101.1	99.6					135.0
	(98807, N/M2)	800	84.2	83.1	85.9	86.8	87.3	87.3	88.9	91.6	93.0	96.0	97.9	99.5	98.4	97.7					134.9
	TAMB 66, DEG F	1000	85.3	84.4	86.3	85.9	87.3	87.7	89.4	90.8	92.9	95.8	96.7	97.7	96.1	92.7					133.7
	(292, DEG K)	1250	84.7	83.4	86.1	86.3	87.2	88.2	91.4	90.9	92.9	95.1	97.3	98.2	93.9	90.7					133.8
	TRBT 60, DEG F	1600	84.0	85.5	85.9	86.2	87.3	88.7	90.3	91.2	93.1	94.5	96.1	96.0	93.1	89.5					132.9
	(289, DEG K)	2000	85.8	85.6	86.0	88.4	89.2	89.3	90.0	91.3	93.0	94.4	95.1	95.5	92.1	88.8					132.8
	HACT 0, GM/M3	2500	84.8	86.8	87.4	87.4	88.1	89.1	90.4	91.4	93.5	95.0	94.2	94.4	90.4	87.9					132.6
	(, KG/M3)	3150	84.2	87.1	87.9	88.6	89.0	90.5	90.4	92.3	94.7	96.3	93.3	93.5	90.7	87.8					133.2
	FREQ. SHIFT	4000	83.3	87.0	87.6	88.4	89.2	89.9	91.7	93.6	96.9	97.3	93.1	91.9	89.4	87.4					134.0
	JET 0	5000	84.1	87.8	88.9	89.4	90.4	91.9	93.4	95.4	98.7	98.8	93.3	93.2	89.6	87.7					135.5
	DIAMETER RATIO	6300	85.0	92.8	94.5	93.3	94.1	94.7	95.1	97.1	100.3	100.4	94.1	93.7	91.8	88.8					137.7
	DF/DM 1.00	8000	85.3	90.4	91.4	92.9	94.1	95.2	96.1	98.3	101.6	101.5	95.0	93.1	90.5	88.5					138.6
		10000	86.7	93.2	93.9	94.7	95.7	96.1	97.4	100.7	103.6	103.1	96.8	93.9	91.6	89.7					140.7
		12500	87.9	94.9	96.0	95.7	96.6	97.6	98.9	101.3	104.0	103.8	98.0	94.9	92.6	89.8					141.9
		15000	87.1	93.7	94.9	95.2	96.4	97.9	99.3	101.8	103.8	103.2	98.1	95.2	92.4	89.3					142.1
		20000	85.1	91.4	92.1	93.6	94.4	95.6	97.9	99.7	101.6	101.1	97.3	93.8	91.1	87.3					140.6
		25000	83.0	90.0	91.0	92.3	92.6	94.3	95.7	97.3	99.3	98.3	94.3	91.7	89.3	85.2					138.9
		31500	78.9	85.5	86.8	88.2	88.3	90.6	92.4	93.6	94.3	95.2	90.9	88.0	85.8	80.7					135.6
		40000	74.3	81.7	82.2	84.0	84.6	84.9	87.3	89.0	91.1	90.6	85.1	81.8	80.4	75.9					131.9
		50000	70.0	79.9	77.2	78.7	79.1	80.7	83.2	85.4	87.4	87.6	80.6	78.3	76.6	73.5					129.1
		63000	66.7	70.4	71.5	73.7	74.3	75.8	79.8	82.1	84.3	85.2	76.7	76.4	76.4	74.0					127.8
		80000	66.6	65.6	65.9	68.5	70.0	71.1	78.1	79.8	80.0	85.0	75.5	78.0	77.5	76.0					129.2
	OVERALL MEASURED																				
	OVERALL CALCULATED		98.8	102.8	103.7	104.2	105.1	106.1	107.6	109.6	112.1	112.2	109.4	110.5	111.5	111.4					131.1
	PNDB		109.8	113.5	114.6	114.4	115.2	116.0	117.0	118.8	121.6	122.3	119.6	120.6	119.9	119.3					

5061

SPL INPUT AT STD REV, ALPHA 12/73	ANGLES FROM INLET IN DEGREES (AND RADIANS)																PWL		
	FREQ	30. (0.52)	40. (0.70)	50. (0.87)	60. (1.05)	70. (1.22)	80. (1.40)	90. (1.57)	100. (1.75)	110. (1.92)	120. (2.09)	130. (2.27)	140. (2.44)	150. (2.62)	160. (2.79)	0. (0.)		0. (0.)	0. (0.)
NO EGA	58	63.8	64.6	66.4	65.4	65.7	65.6	66.4	66.3	67.4	68.3	70.3	73.5	77.1	78.9				111.3
RDG, NO. 0.	68	66.1	66.8	67.1	66.7	67.3	66.9	68.3	68.9	69.6	71.3	73.5	77.1	80.7	83.5				114.7
RADIAL 40, FT.	80	68.1	68.6	68.5	68.1	68.0	68.9	70.8	71.3	72.8	74.1	77.2	80.4	83.3	85.6				117.3
(12, M)	100	71.1	70.1	70.6	70.1	70.9	72.1	74.4	75.8	77.0	78.1	80.6	85.0	89.3	89.7				121.8
VEHICLE JENOTS	125	73.7	72.7	71.9	73.2	72.4	74.7	77.9	77.4	79.4	81.7	83.4	87.1	90.5	92.8				124.1
CONFIG JE=057	160	78.4	76.4	75.6	75.6	75.9	77.1	80.6	80.1	83.4	84.4	85.9	90.1	92.8	95.6				126.9
LDC - EVENDALE	200	78.8	78.5	76.0	76.8	77.5	78.3	79.8	81.0	83.3	86.0	88.8	92.9	95.7	98.3				129.3
DATE 04-30-75	250	81.8	81.0	80.3	81.5	81.3	82.0	83.8	84.3	86.5	90.0	93.3	94.8	98.9	99.4				132.1
RUN DBTF=MODEL 5	315	84.0	82.0	80.5	82.3	84.5	85.4	87.0	88.0	89.3	90.8	93.3	94.9	98.9	103.5				133.3
TAPE X50110	400	81.6	78.2	80.0	82.6	84.1	83.7	85.8	87.8	90.0	91.8	90.8	96.5	99.2	97.8				132.5
BAR 29.5 HG	500	79.1	79.8	80.6	79.8	80.2	81.6	83.7	84.7	87.2	88.7	91.2	98.1	99.8	97.3				132.3
(98807, N/M2)	630	80.1	80.4	80.7	79.7	80.7	80.5	83.3	84.9	87.4	87.9	91.2	95.8	98.1	99.3				131.5
TAMB 68, DEG F	800	79.9	80.9	80.4	81.3	81.8	81.3	82.9	85.4	87.5	90.8	93.4	96.0	96.4	96.4				131.1
(293, DEG K)	1000	80.8	79.4	81.5	80.9	81.5	82.9	83.9	85.1	87.1	90.1	91.7	94.2	93.4	91.4				129.3
TRET 65, DEG F	1250	78.7	79.2	80.4	81.3	81.7	82.2	85.2	85.2	87.2	89.4	92.3	94.7	90.9	88.4				129.1
(289, DEG K)	1600	78.5	80.2	81.1	81.2	82.1	83.0	84.0	85.5	86.8	89.0	90.8	91.7	89.4	85.5				127.8
HACT 0. GM/M3	2500	79.0	80.5	81.5	80.4	81.5	82.6	83.2	84.8	86.7	87.9	89.9	90.2	87.1	83.8				126.9
(, KG/M3)	3150	78.2	80.6	81.7	82.1	82.0	82.0	83.4	85.0	86.5	88.5	87.6	87.0	83.3	80.6				126.1
FREQ. SHIFT	4000	76.3	80.1	81.8	82.2	82.5	82.2	83.5	85.1	87.4	89.3	87.4	84.9	81.4	79.1				126.2
JET 0	5000	77.6	80.6	81.9	82.4	82.4	83.4	84.6	85.9	88.9	91.6	89.8	86.7	81.6	79.9				127.7
DIAMETER RATIO	6300	77.2	81.8	83.3	83.8	84.1	84.5	84.9	86.9	89.5	91.7	91.1	87.7	83.1	80.8				128.7
DF/DM 1.00	8000	77.3	81.6	82.7	83.9	83.9	84.7	85.6	87.3	90.1	91.3	90.3	86.4	82.5	80.5				128.8
	10000	76.7	82.2	83.9	83.7	83.9	84.3	85.4	87.5	90.3	92.6	89.6	84.7	82.4	80.5				129.3
	12500	75.9	82.4	83.5	83.5	83.7	85.1	85.9	87.5	89.7	90.6	89.0	84.2	81.6	80.0				129.0
	16000	73.6	80.4	81.7	80.7	81.9	83.2	84.3	86.0	88.1	88.7	86.1	82.2	79.9	78.0				127.5
	20000	69.6	76.9	77.8	77.4	77.6	79.3	80.9	83.2	85.3	86.1	82.8	77.8	76.3	74.1				124.8
	25000	65.5	72.5	73.2	73.8	73.8	76.4	78.0	80.0	82.3	82.4	78.3	74.2	73.3	71.5				121.8
	31500	60.4	67.0	67.5	68.8	68.1	71.6	74.2	76.1	77.0	78.0	74.9	69.7	71.0	68.7				118.0
	40000	56.0	62.0	62.7	63.5	63.4	64.7	68.6	70.3	72.1	73.2	68.9	65.3	70.0	69.0				113.7
	50000	54.0	58.4	57.2	57.8	57.9	59.0	65.2	66.2	66.4	70.8	64.8	64.8	72.4	71.0				112.2
	63000	55.7	53.9	53.8	55.0	57.0	56.6	65.0	66.3	63.6	72.0	63.8	66.5	74.9	74.0				115.2
	80000	57.1	53.9	53.5	54.3	58.0	57.3	67.4	67.9	63.8	74.0	65.1	68.6	77.1	75.3				120.0
OVERALL MEASURED																			
OVERALL CALCULATED		92.7	93.9	94.7	95.1	95.7	96.3	97.5	99.2	101.7	103.3	103.9	106.1	107.7	108.6				143.2
PNDP		104.0	103.6	104.6	107.0	107.5	107.8	109.0	110.5	113.1	115.1	115.1	115.3	115.3	115.8				

ORIGINAL PAGE IS OF POOR QUALITY

SPL INPUT AT STD REV. ALPHA 12/73	ANGLES FROM INLET IN DEGREES (AND RADIANS)																PWL	
	30.	40.	50.	60.	70.	80.	90.	100.	110.	120.	130.	140.	150.	160.	0.	0.		0.
NO EGA	50	66.8	66.6	67.4	67.4	67.5	67.8	68.9	69.5	70.6	71.8	74.0	77.5	81.1	84.4			115.3
RDG. NO. 0.	63	69.8	69.1	69.4	69.7	70.0	69.9	71.3	72.4	73.1	74.6	77.6	81.1	84.7	91.1			120.0
RADIAL 40' FT.	80	72.1	72.4	72.8	71.6	71.8	72.2	74.3	74.6	76.1	78.1	81.0	85.1	87.8	91.4			122.0
(12' M)	100	75.4	74.1	74.6	74.4	74.1	75.9	76.4	79.6	81.5	82.1	84.4	89.0	93.3	94.2			125.9
VEHICLE JENOTS	125	78.4	76.7	75.9	77.2	76.4	79.2	81.1	81.4	83.4	85.7	87.4	91.8	95.3	98.3			128.9
CONFIG JE-057	160	82.6	79.6	79.1	79.4	80.1	81.4	84.1	84.1	87.6	88.4	89.9	93.4	96.3	100.1			130.8
LQC EVENDALE	200	82.3	81.5	79.3	80.0	80.5	82.0	83.8	84.8	87.0	89.3	92.1	96.4	99.5	102.5			133.1
DATE 04-30-75	250	84.3	83.5	82.3	83.8	83.5	84.3	85.3	86.3	89.5	92.3	95.0	97.8	102.2	101.9			134.8
RUN DBTF=MODEL 5	315	85.5	83.3	82.3	84.0	85.5	85.9	85.8	89.0	89.8	92.3	94.5	97.6	102.7	100.8			136.4
TAPE X50130	400	82.4	79.7	81.3	83.4	84.6	84.7	86.5	88.6	90.8	93.3	92.3	98.3	102.2	100.8			134.5
BAR 29.3 HG	500	82.3	82.3	83.1	82.5	83.4	84.6	87.2	87.9	90.2	91.7	94.2	100.6	102.3	99.3			134.9
(98807, N/M2)	630	82.3	82.9	83.9	82.2	83.9	83.5	86.6	87.9	90.7	91.4	94.2	99.1	100.9	100.6			134.2
TAMB 68, DEG F	800	82.5	82.9	83.6	84.3	85.0	84.5	86.4	69.1	90.3	94.0	96.0	98.3	97.9	97.4			133.4
(293, DEG K)	1000	82.8	81.6	83.0	83.7	84.8	85.2	86.9	88.1	90.1	92.8	94.4	95.9	94.4	91.9			131.5
THEY 61, DEG F	1250	82.0	82.2	83.0	84.0	84.5	85.4	88.4	88.2	89.9	92.1	94.1	96.2	91.7	88.4			131.1
(289, DEG K)	1600	81.9	83.2	83.9	84.0	84.8	85.7	87.8	88.5	89.3	91.0	93.3	93.7	89.6	86.2			130.1
HACT 0. GM/M3	2000	83.1	83.1	83.5	85.6	86.2	86.3	87.0	88.3	89.2	90.9	91.4	92.0	88.6	85.5			129.5
(, KG/M3)	2500	82.3	84.0	85.2	84.7	85.3	86.1	87.2	88.1	90.3	90.8	90.7	90.1	86.4	83.4			129.1
FREQ. SHIFT	3150	82.0	84.3	86.2	86.6	87.3	87.0	88.2	88.8	90.5	92.5	89.9	89.0	86.0	84.8			129.8
JET 0	4000	81.3	84.6	86.1	86.9	87.0	87.9	88.7	90.6	93.4	94.0	89.7	88.2	85.2	82.9			130.9
DIAMETER RATIO	5000	81.6	85.6	86.9	87.9	88.1	88.9	90.4	92.6	96.4	97.3	91.0	89.2	85.8	84.2			133.2
DF/DM 1.00	6300	83.0	88.6	90.0	91.1	91.9	92.0	92.2	93.9	98.0	100.2	93.4	90.7	88.1	85.8			135.7
	8000	83.3	87.6	88.2	90.4	91.4	92.5	93.4	96.1	99.4	101.8	94.5	91.9	88.3	86.0			137.1
	10000	84.0	89.4	89.9	91.2	92.7	93.6	94.4	97.3	101.1	102.9	95.9	92.0	89.4	87.0			138.7
	12500	84.6	90.2	91.0	91.0	92.7	94.6	95.4	98.0	100.7	103.6	97.5	93.4	90.1	87.5			139.6
	16000	84.6	90.7	91.7	91.7	93.1	94.2	95.3	97.3	100.3	101.7	96.9	92.9	90.9	89.0			139.2
	20000	83.3	90.4	91.8	91.6	91.4	91.3	93.4	95.7	98.6	99.1	95.0	91.5	89.8	86.9			137.8
	25000	79.8	85.5	87.2	88.3	87.8	89.1	90.7	92.8	95.0	95.8	91.5	87.9	85.8	82.2			135.0
	31500	75.2	81.0	82.8	83.8	83.6	85.8	87.7	89.1	90.8	92.7	87.1	83.0	81.0	76.4			131.8
	40000	70.8	77.0	78.9	79.8	80.4	80.9	82.9	84.5	86.9	87.9	81.6	77.0	76.2	72.7			128.0
	50000	65.5	71.4	72.7	74.8	74.4	76.2	78.0	80.4	82.7	85.1	77.6	75.0	74.6	72.2			125.1
	63000	60.7	66.9	68.0	69.5	70.0	70.5	73.0	77.6	78.8	83.7	74.8	75.2	75.4	74.2			124.5
	80000	58.1	64.7	64.2	65.8	68.5	68.1	69.9	77.9	76.3	84.5	75.3	78.1	77.6	75.8			127.7
OVERALL MEASURED																		
OVERALL CALCULATED		96.7	99.7	100.7	101.3	102.1	103.0	104.2	106.3	109.2	111.1	107.7	109.0	110.8	111.7			149.0
PNDB		107.7	116.3	111.3	112.3	113.0	113.4	114.3	115.9	119.1	121.0	117.6	118.0	118.3	119.0			

SPL INPUT AT STD REV. ALPHA 12/73	FREQ.	INCHES FROM INLET IN DEGREES (AND RADIANS)															PHL		
		30	40	50	60	70	80	90	100	110	120	130	140	150	160	0		0	0
NO EGA	63	73.3	73.3	73.4	73.5	73.3	73.1	74.5	75.2	76.6	78.3	81.1	84.6	88.2	95.3				123.9
RDG. NO. 0.	80	75.9	76.4	76.0	75.4	75.8	76.2	77.6	78.3	80.1	82.1	85.2	88.9	91.8	96.1				128.2
RADIAL 40, FT. (12. M)	100	78.9	77.1	78.1	78.4	78.4	79.9	82.4	83.3	84.7	85.4	88.6	93.0	97.3	98.7				130.0
VEHICLE JENVOIS	125	81.7	80.4	80.2	80.9	80.4	82.9	85.4	85.4	87.7	89.2	91.4	95.6	98.5	102.5				132.8
CONFIG JE-057	150	86.4	85.6	82.9	83.4	83.6	85.6	88.6	88.4	91.6	92.6	93.6	98.1	100.8	105.1				135.4
LQC EVENDALE	200	86.0	84.8	83.3	84.0	85.0	86.0	87.5	88.5	90.8	93.5	96.3	100.9	103.5	106.3				137.1
DATE 04-30-75	250	87.8	87.3	86.3	86.5	86.5	87.0	88.0	89.8	95.0	95.0	98.8	102.3	106.2	105.1				138.5
RUN DBTF-MODEL 5	315	88.5	88.5	86.0	87.5	88.5	88.7	88.5	92.0	93.0	95.0	99.0	102.1	106.9	109.8				140.0
TAPE X50150	400	85.6	83.7	84.8	86.6	87.9	87.7	89.3	91.1	94.0	96.6	95.5	102.3	106.2	104.6				138.2
BAR 29.3 HG	500	85.8	86.6	87.6	86.8	87.9	89.1	91.4	92.4	94.4	96.2	98.9	104.6	105.6	103.1				138.7
(98807, N/M2)	630	85.8	87.2	87.9	86.7	88.2	88.0	90.8	92.1	95.4	95.7	99.2	102.8	104.9	104.3				138.3
TAMB 68, DEG F	800	86.5	86.9	88.1	88.8	89.3	89.3	91.1	93.9	96.0	99.0	100.7	102.8	102.4	100.9				138.0
(293, DEG K)	1000	87.3	88.9	88.5	88.1	88.8	89.7	91.4	93.1	95.6	98.1	99.7	100.2	99.6	95.4				136.3
THEY 61, DEG F	1250	86.0	87.2	87.6	88.8	88.7	89.9	92.7	92.9	95.2	97.9	99.8	100.0	96.4	92.9				136.0
(289, DEG K)	1600	86.0	87.3	87.3	89.4	90.5	90.8	92.0	93.3	95.2	102.1	97.6	97.2	94.1	91.0				135.9
HACT 0, GM/M3	2000	86.0	87.3	88.2	87.7	89.3	90.1	91.2	93.1	95.5	102.9	96.0	96.4	93.1	89.7				136.3
(, KG/M3)	2500	86.0	87.3	88.2	87.7	89.3	90.1	91.2	93.1	95.5	102.9	96.0	96.4	93.1	89.7				136.3
FREQ. SHIFT	3150	85.2	88.1	88.4	89.6	90.3	90.8	91.7	94.0	96.0	102.6	95.4	95.8	93.0	90.6				136.4
JET 0	4000	84.8	87.1	88.3	89.7	90.5	91.4	93.0	94.6	97.9	100.5	94.7	93.9	91.9	89.4				135.8
DIAMETER RATIO	5000	84.8	88.1	89.4	89.9	91.4	92.2	93.9	96.1	99.9	98.3	94.8	94.2	92.3	89.2				136.2
DF/DM 1.00	6300	85.0	89.8	91.0	92.6	93.9	94.5	95.7	97.9	101.0	94.9	94.6	94.4	91.8	88.8				137.1
	8000	86.1	90.6	91.9	92.9	94.6	95.7	96.6	99.6	102.4	89.9	95.0	94.1	92.3	89.3				138.2
	10000	88.0	92.7	94.2	94.7	96.4	96.6	97.9	101.3	104.1	86.9	96.1	94.2	92.7	90.0				140.0
	12500	88.4	93.7	94.8	95.8	97.2	98.1	99.4	102.5	104.7	84.7	97.5	95.2	92.9	89.8				141.3
	16000	87.4	92.7	93.4	94.7	97.1	98.2	100.5	103.5	104.6	85.1	98.4	95.4	92.7	88.8				142.0
	20000	86.6	91.1	92.6	93.9	95.6	96.3	98.7	101.0	102.6		97.3	93.8	91.1	86.9				143.5
	25000	84.4	89.5	91.2	92.8	93.3	94.6	96.7	98.5	99.5		93.8	91.7	88.8	84.5				138.6
	31500	80.2	85.0	86.5	89.0	89.3	91.1	92.9	95.1	95.5		90.9	87.5	85.3	79.4				135.4
	40000	76.0	80.7	82.2	84.3	85.1	86.2	88.1	90.5	92.1		84.9	82.3	80.5	75.2				131.8
	50000	70.8	75.2	76.7	79.3	79.4	81.9	84.2	86.7	88.2		80.3	78.5	76.9	73.2				128.7
	63000	67.7	69.9	72.0	74.0	74.8	78.0	80.5	83.3	85.3		76.8	77.5	76.9	74.5				127.3
	80000	67.1	65.4	66.5	68.0	70.3	77.6	78.9	80.4	80.8		75.3	78.6	78.3	76.0				127.9
OVERALL MEASURED																			
OVERALL CALCULATED		100.3	102.7	103.7	104.7	106.0	106.8	108.5	111.0	113.1	111.3	111.3	113.2	114.8	115.3				152.2
PND8		111.1	113.1	113.9	114.9	116.0	116.7	118.0	120.1	122.9	124.8	121.7	122.8	122.7	122.8				

ORIGINAL PAGE IS OF POOR QUALITY

		ANGLES FROM INLET IN DEGREES (AND RADIANS)																PWL	
SPL INPUT AT STD		30.	40.	50.	60.	70.	80.	90.	100.	110.	120.	130.	140.	150.	160.	0.	0.	0.	PWL
REV: ALPHA 12/73	FREQ. (0.52)	(0.70)	(0.97)	(1.05)	(1.22)	(1.40)	(1.57)	(1.75)	(1.92)	(2.09)	(2.27)	(2.44)	(2.62)	(2.79)	(0.)	(0.)	(0.)		
NO-EGA	50	66.3	67.6	67.9	67.9	66.5	69.3	71.1	72.5	72.6	75.8	74.3	75.3	79.1	79.7				114.4
RDS. NO. 0.	80	69.6	69.3	69.1	69.7	69.3	70.6	72.3	72.7	73.6	78.1	78.8	78.6	82.5	83.3				116.8
HABITAC 40. FT.	100	73.7	72.9	73.9	73.5	73.9	74.9	77.2	78.3	79.7	82.1	83.4	86.8	90.8	91.4				119.4
VEHICLE (12. M)	125	76.4	75.2	75.2	75.9	74.4	76.4	79.4	80.9	81.9	84.7	86.2	89.6	92.8	93.5				123.8
CONFIG JE-058	160	82.9	77.4	78.4	79.4	78.9	80.4	82.3	82.6	84.9	86.9	88.4	90.9	94.3	95.6				125.1
LOGS - EVEN CALL	200	81.8	81.5	79.3	80.0	79.5	80.3	81.5	84.0	85.5	88.8	90.8	94.4	97.7	99.3				128.2
DATE 04-29-75	250	83.8	84.0	81.5	82.0	81.5	82.0	82.5	84.5	90.8	90.5	93.5	95.5	100.2	101.1				131.0
RUN DETF-MODEL 5	315	85.8	84.3	82.5	83.0	85.3	86.4	85.0	90.3	90.5	93.0	95.5	96.4	101.7	104.5				134.9
TAPE X50160	400	81.7	77.4	85.9	83.4	85.1	84.4	87.0	89.8	91.0	93.0	93.0	98.5	101.4	101.1				134.2
SNR 29.5 HG	500	83.5	82.7	82.7	82.2	83.2	83.0	85.1	86.9	89.4	90.9	94.4	98.3	100.5	101.6				134.0
(99617, N/M2)	600	81.9	82.7	82.4	82.8	83.3	83.3	84.9	87.6	89.3	92.5	95.7	97.5	98.4	99.9				133.3
TANK 69. DEG F	1000	83.7	80.9	82.5	82.4	83.3	84.2	86.4	87.6	89.6	92.6	94.5	95.4	97.1	95.7				131.8
(294. DEG K)	1250	80.3	81.4	81.9	82.5	83.2	84.2	85.7	87.2	88.9	91.6	94.8	96.0	95.2	92.4				131.2
TWET 53. DEG F	1600	79.3	81.5	82.4	82.8	83.3	84.0	86.0	87.5	88.8	91.0	94.4	94.0	91.6	89.5				130.1
(295. DEG K)	2100	81.4	81.1	81.8	83.4	84.2	85.1	85.1	86.6	87.8	89.9	92.2	91.8	89.4	87.8				128.7
HAGT 6. GM/M3	2500	79.1	81.1	82.5	82.5	82.7	83.7	84.2	86.2	88.1	90.1	90.0	90.0	86.9	84.8				127.7
(, KG/M3)	3150	79.1	81.2	83.1	84.0	83.9	83.9	84.8	86.4	88.1	90.4	89.5	88.2	85.4	83.9				127.7
FREQ. SHIFT	4000	76.8	81.0	82.6	83.4	83.0	83.4	84.5	87.0	88.1	90.7	88.9	85.9	82.6	80.8				127.3
JET 0	5000	77.6	81.6	83.0	84.0	83.7	84.4	85.6	87.4	89.7	93.1	90.3	87.0	83.1	81.5				128.8
DIAMETER RATIO	6300	77.2	81.5	84.7	85.5	84.8	86.1	86.3	89.1	91.0	93.8	92.0	87.4	84.5	82.5				130.0
DF/DH 1.00	8000	76.5	81.3	83.6	85.0	85.3	85.3	86.5	83.7	91.0	93.9	92.2	86.7	83.9	82.4				130.3
	10000	73.9	81.6	84.6	85.1	85.1	86.0	86.1	89.9	91.0	93.8	91.3	85.4	83.6	81.4				130.4
	12500	74.3	81.1	83.9	84.1	84.8	85.3	86.6	89.2	90.4	92.2	89.9	84.6	82.5	80.4				129.8
244	16000	72.5	77.8	82.3	82.1	83.0	84.0	85.1	87.1	88.9	89.8	88.0	82.5	80.8	78.9				128.5
	20000	68.5	73.8	78.5	79.3	79.6	80.1	82.7	84.7	86.8	87.3	84.5	79.2	77.5	75.8				126.2
	25000	65.5	72.2	75.5	75.3	75.6	77.8	80.0	82.0	83.5	85.0	81.0	76.6	75.8	73.2				123.8
	31500	62.6	68.1	71.2	72.1	71.4	74.7	77.1	78.7	80.1	82.6	78.8	74.4	74.2	71.3				121.5
	40000	62.3	66.2	68.0	69.3	68.6	69.9	72.9	74.8	75.9	79.4	74.9	73.0	73.7	71.7				118.8
	50000	63.4	65.8	65.6	66.9	66.8	67.3	70.1	72.3	72.5	80.4	74.2	75.7	75.8	74.1				119.6
	63000	65.0	66.7	65.1	67.0	67.6	67.1	69.5	70.9	69.6	82.5	75.3	77.5	78.2	76.3				122.8
	80000	66.7	66.5	65.0	67.3	68.8	68.1	70.2	70.9	67.3	84.3	77.1	79.1	80.1	77.3				127.4
OVERALL MEASURED		94.5	95.0	96.3	96.7	97.0	97.7	98.9	101.0	102.9	105.3	106.0	107.6	110.0	110.5				145.0
OVERALL CALCULATED		105.2	106.5	108.1	108.8	108.9	109.4	110.4	112.4	114.3	117.1	116.8	116.6	117.8	117.7				

SPL INPUT AT STD REV: ALPHA 12/73	ANGLES FROM INLET IN DEGREES (AND RADIANS)																	PWL	
	FREQ.	30.	40.	50.	60.	70.	80.	90.	100.	110.	120.	130.	140.	150.	160.	0.	0.		0.
NO-EGA	50	67.6	68.1	68.9	69.7	69.0	69.1	69.4	70.8	71.4	73.3	75.5	78.5	82.8	83.4				116.0
RDG. NO. 0.	63	71.3	71.8	71.6	71.5	71.5	71.4	72.8	74.4	74.4	76.6	79.3	82.1	86.5	86.8				119.5
RADIAL 40. FT.	80	73.6	73.9	73.8	73.9	73.5	74.2	75.6	75.8	77.6	79.9	83.2	85.9	89.8	90.6				122.8
(12. M)	100	76.9	76.1	77.1	77.4	77.1	77.9	79.9	81.6	82.0	84.1	87.1	90.5	95.0	95.4				127.6
VEHICLE JE40TS	125	79.9	78.7	78.9	79.4	78.2	80.7	82.9	83.9	84.9	87.4	89.4	93.1	96.5	97.8				129.8
CONFIG JE-058	150	85.9	82.6	82.4	82.6	82.1	83.6	85.8	85.9	88.6	90.1	91.6	94.6	98.3	99.3				131.8
LOG EVENDALE	200	85.3	84.3	82.0	83.3	82.3	84.3	85.5	85.8	88.5	91.8	94.8	98.1	101.2	102.3				134.4
DATE 04-29-75	250	87.0	87.3	84.5	84.8	85.0	85.8	85.8	87.5	93.0	93.8	97.0	99.5	104.2	103.6				136.3
RUN DSTP-MODEL 5	315	88.5	86.8	84.8	86.5	87.3	87.9	86.5	91.3	92.3	94.8	98.3	100.6	105.9	107.3				138.5
TAPE X50190	400	84.1	82.4	88.8	84.9	86.1	86.4	88.3	91.8	92.5	95.3	95.5	101.0	105.9	109.1				137.8
BAR 29.15 HG	530	84.3	85.6	86.3	84.8	85.4	86.6	88.4	89.9	91.9	93.9	96.2	102.4	105.3	102.6				137.3
(99617, N/M2)	630	84.8	85.2	85.7	84.7	86.2	85.8	88.6	90.1	92.7	94.4	97.4	101.8	103.9	101.1				136.6
TAMB 69, DEG F	800	84.5	85.4	85.9	86.8	87.0	86.5	88.1	90.9	92.8	96.3	99.0	100.3	100.4	100.7				135.8
(294, DEG K)	1030	85.3	83.6	85.5	85.7	86.5	87.4	88.9	90.3	92.4	96.1	97.2	97.7	97.1	95.7				134.0
TNET 53, DEG F	1250	83.7	84.4	84.9	85.3	86.2	86.7	88.7	90.4	91.7	95.1	97.3	97.7	94.7	91.9				133.3
(285, DEG K)	1600	82.6	84.2	85.2	85.8	86.3	87.5	88.8	90.3	91.6	94.3	96.4	95.0	92.6	89.0				132.3
HAST 5, GM/M3	2000	84.1	83.6	84.1	87.2	87.5	87.9	86.1	89.6	91.0	92.9	94.9	93.8	91.1	88.6				131.4
(, KG/M3)	2500	82.0	84.6	86.0	86.2	86.9	87.7	88.0	90.2	90.8	92.9	93.0	92.5	88.7	86.0				130.8
FREQ. SHIFT	3150	82.4	84.7	86.8	88.3	88.4	88.1	88.8	90.7	92.1	93.4	91.7	90.9	88.1	85.7				131.1
JET 0	4000	83.3	84.0	86.1	88.1	88.2	88.6	89.2	91.5	93.6	94.2	91.6	86.9	86.4	84.6				131.5
DIAMETER RATIO	5000	80.9	83.9	87.2	88.2	88.9	89.7	90.6	93.4	96.7	96.9	91.6	89.2	87.1	85.0				133.4
DF/DM 1.00	6300	84.9	89.2	91.9	93.3	93.6	93.6	93.6	95.3	98.7	99.8	94.0	91.1	89.8	88.0				136.4
	8000	81.2	85.5	88.6	91.0	91.8	93.1	93.8	95.9	99.3	101.4	94.4	90.5	88.9	86.2				137.1
	10000	82.1	87.3	90.1	92.1	93.1	93.5	94.9	97.7	101.3	103.0	95.8	91.1	89.6	87.4				135.9
	12500	83.0	88.8	92.2	92.9	93.8	94.5	96.1	98.9	101.1	103.2	97.1	92.1	90.8	88.2				139.7
	16000	82.5	88.8	93.0	92.8	93.8	94.5	95.6	98.6	100.7	101.8	96.0	92.0	90.5	88.1				139.5
245	20000	79.5	86.1	90.3	91.8	91.9	91.6	94.4	96.2	98.6	99.3	94.5	90.2	88.5	85.6				137.8
	25000	78.8	85.7	87.0	88.6	88.3	89.6	92.0	93.7	95.7	97.0	91.5	88.1	85.8	83.0				135.7
	31500	73.1	86.1	83.7	84.9	84.9	87.0	88.8	90.5	91.6	94.1	87.8	83.9	82.2	78.1				132.9
	40000	69.8	77.0	80.5	82.5	82.1	83.4	85.1	85.3	88.1	89.7	83.4	79.0	78.7	76.0				129.8
	50000	67.6	73.8	76.8	78.9	78.5	80.8	82.3	84.0	85.3	88.2	80.2	77.9	78.0	74.9				128.4
	63000	67.0	70.4	73.1	75.3	74.6	78.3	80.8	82.4	82.9	86.5	78.1	78.5	78.7	76.8				128.5
	80000	67.4	68.0	68.5	71.0	71.5	78.6	80.4	81.4	79.6	87.1	77.9	80.4	80.4	77.8				131.2
OVERALL MEASURED																			
OVERALL CALCULATED		97.8	99.5	101.8	102.7	103.2	103.8	105.1	107.5	109.8	111.6	109.4	110.8	113.5	113.0				130.1
PMBB		108.7	111.1	113.0	114.1	114.9	114.9	115.4	117.4	120.0	121.6	119.3	119.5	121.0	120.2				

ORIGINAL PAGE IS OF POOR QUALITY

SPL INPUT AT STD		ANGLES FROM INLET IN DEGREES (AND RADIANs)																PWL	
REV. ALPHA 12/73	FREQ	30	40	50	60	70	80	90	100	110	120	130	140	150	160	0	0	0	PWL
NO EGA	50	72.1	72.1	73.1	73.7	74.7	74.3	74.1	73.0	76.1	77.3	80.0	93.0	86.8	99.2				127.5
RDG. NO.	80	77.9	77.9	77.8	77.6	78.3	78.2	79.6	80.1	81.8	83.9	87.2	100.6	93.8	105.9				131.3
RADIAL	100	80.6	79.4	80.1	79.9	80.4	81.9	83.9	85.3	86.5	87.9	90.1	104.8	99.3	109.9				133.6
VEHICLE	125	83.9	82.7	82.2	83.4	82.7	84.7	87.4	88.9	91.2	92.9	107.8	101.3	112.8					141.5
CONFIG	160	88.9	86.1	85.6	85.9	86.1	87.6	90.1	89.9	93.1	93.9	95.8	109.9	102.8	114.8				143.6
LOC	200	88.5	87.0	85.3	86.3	86.8	88.3	90.0	90.5	92.8	95.3	99.1	113.6	106.0	117.5				146.6
DATE	250	90.0	89.3	88.0	88.8	88.5	89.0	90.0	91.5	97.3	97.3	101.3	115.3	108.9	116.6				147.2
DBTF	315	91.3	89.0	88.3	89.5	90.8	90.9	90.8	94.5	94.8	97.5	102.0	115.4	110.2	121.3				149.6
TAPE	400	88.1	86.2	86.8	88.1	89.9	89.7	91.8	94.1	96.0	99.1	99.0	115.8	110.2	117.1				147.8
BAR	500	88.8	89.3	90.1	89.0	89.9	91.1	93.4	94.4	96.9	98.2	101.2	117.1	108.8	116.8				148.3
YAMB	630	89.1	89.4	89.9	88.7	90.2	90.3	93.3	94.9	97.4	98.7	101.9	116.1	108.6	117.6				149.0
THET	800	88.9	89.7	90.1	90.5	91.5	91.0	93.4	96.1	98.0	101.0	103.2	115.8	105.2	114.4				146.9
HACT	1000	89.8	88.6	90.5	90.1	90.8	91.7	93.7	95.3	97.6	101.1	102.7	112.9	102.4	109.2				144.0
FREQ	1250	88.7	89.4	89.6	90.0	90.7	91.9	95.4	95.4	97.4	100.1	102.8	112.7	99.2	106.2				143.4
DIAMETER	1600	88.0	89.7	89.1	90.7	91.3	92.7	94.5	95.5	97.1	99.7	101.6	111.0	97.1	104.0				142.0
RATIO	2000	89.6	89.1	88.8	91.6	92.0	92.6	93.5	93.6	97.2	98.9	100.4	110.2	97.1	103.3				141.3
DF/DM	2500	88.0	89.0	90.0	89.7	90.8	91.9	93.9	95.6	97.8	99.0	98.7	108.9	96.1	102.2				140.4
SHIFT	3150	87.5	89.3	89.4	90.9	91.8	92.5	93.7	95.5	97.5	98.3	98.6	108.0	96.0	103.8				140.0
JET	4000	86.0	88.3	89.3	91.2	91.8	92.7	94.2	95.6	99.4	97.3	98.9	106.7	94.9	102.1				139.4
DF/DM	5000	86.6	88.3	89.7	91.9	92.6	93.4	95.1	97.6	101.9	98.3	96.5	107.5	95.3	101.4				140.3
246	6300	86.2	89.8	91.3	93.1	94.4	95.5	96.2	98.9	102.0	98.4	96.6	106.9	95.8	101.1				140.6
	8000	86.6	90.9	92.2	94.4	95.6	96.2	97.6	100.3	103.1	99.3	96.3	105.6	94.5	100.8				141.0
	10000	87.7	91.4	93.4	95.5	96.7	97.3	98.9	102.0	104.8	100.6	96.4	105.0	94.2	101.0				142.2
	12500	87.4	92.4	94.0	96.0	97.7	99.1	100.9	103.0	105.5	101.8	98.0	105.7	93.6	100.3				143.4
	16000	86.6	91.7	93.4	95.5	97.9	99.2	101.0	103.5	105.3	102.2	97.9	105.9	93.4	99.3				143.9
	20000	85.8	91.4	92.3	95.1	96.1	97.3	99.7	101.7	103.3	100.3	97.0	104.5	92.3	97.6				142.8
	25000	82.8	89.0	90.7	93.6	94.3	95.6	97.5	99.0	100.0	97.6	93.8	101.7	89.3	94.7				140.6
	31500	78.2	84.8	86.5	89.5	89.8	92.1	93.9	95.6	96.5	94.2	90.6	98.2	86.0	89.9				137.6
	40000	74.3	80.0	82.2	84.8	85.6	86.7	88.9	91.0	93.4	89.4	85.1	92.0	81.0	86.0				133.7
	50000	69.8	74.7	76.7	79.3	80.9	82.2	85.0	87.2	89.4	86.3	80.8	88.3	77.6	83.5				130.8
	63000	67.2	69.9	71.8	74.5	77.8	79.0	81.0	84.1	86.3	84.5	78.8	85.0	77.2	84.5				129.8
	80000	67.3	65.7	66.2	69.3	77.5	77.6	78.9	81.1	84.5	85.0	75.8	85.6	78.1	85.8				131.5
OVERALL MEASURED																			
OVERALL CALCULATED		102.0	103.4	104.3	105.9	107.0	108.0	109.8	112.0	114.3	113.0	113.5	125.9	117.9	127.1				138.6
PND8		113.2	114.4	114.9	116.2	117.2	118.1	119.4	121.6	124.6	123.6	124.4	135.4	126.0	134.7				



★ 10 dB TOO HIGH

SPL INPUT AT STD REV. ALPHA 12/73	ANGLES FROM INLET IN DEGREES (RAD RADIANS)																	RWL	
	30.	40.	50.	60.	70.	80.	90.	100.	110.	120.	130.	140.	150.	160.	0.	0.	0.		
FREQ. (C.52)(0.70)(0.87)(1.05)(1.22)(1.40)(1.57)(1.75)(1.92)(2.09)(2.27)(2.44)(2.62)(2.79)(0.) (0.) (0.)	50	65.8	66.6	67.4	67.2	67.2	67.1	67.9	69.0	71.1	71.8	73.3	76.3	79.8	79.9				
NO. EGA	53	59.3	59.1	66.9	69.0	68.8	68.9	70.3	71.4	72.9	74.8	77.1	79.6	84.0	84.3				113.5
ROG. NO. 9.	80	71.6	71.6	71.3	70.9	71.3	71.4	72.8	74.1	75.8	77.1	80.5	83.6	86.5	88.6				117.0
RADIAL - 40. FT. (12. M)	100	74.4	73.4	73.9	74.1	74.4	75.4	77.7	78.8	79.2	81.4	84.1	87.8	92.3	92.4				120.3
VEHICLE - JENOTS	125	76.9	75.9	75.9	76.7	75.2	77.7	80.1	80.7	81.9	84.7	86.9	90.1	93.5	94.8				124.7
CONFIG JF-058	150	84.1	80.5	79.6	80.1	80.1	80.6	83.1	83.4	86.1	87.4	89.9	92.4	95.8	96.6				126.8
LEG - EVERDALE	200	83.3	82.3	80.5	81.0	82.3	81.0	83.3	85.0	86.5	90.5	94.1	96.4	100.0	100.0				129.4
DATE 04-29-75	250	85.9	85.5	82.0	83.0	82.3	83.0	85.0	85.3	91.5	92.0	95.8	97.6	101.9	101.4				132.8
RUN - DSTF-MODEL 5	315	87.3	85.5	83.3	84.5	86.3	87.4	85.8	90.5	91.5	94.8	97.0	98.6	103.7	105.3				134.5
TAPE X50210	400	87.9	86.7	86.3	83.9	85.4	85.4	87.5	89.8	92.0	94.8	94.8	100.3	103.4	103.1				136.7
JAP - 29.5 MG (97617. N/M2)	500	84.3	84.1	84.6	82.8	83.4	84.9	86.7	88.4	89.9	91.9	95.7	101.4	104.6	100.3				136.2
TAMP - 69. DEG F (294. DEG K)	600	83.7	84.1	84.4	84.5	85.0	84.8	85.9	89.1	90.8	94.5	97.7	99.5	102.9	100.6				135.7
TMET 53. DEG F (265. DEG K)	1000	84.8	82.9	83.8	83.6	84.5	85.7	87.9	88.5	90.9	94.8	96.5	97.7	97.6	96.9				135.1
HACT 0. GM/MS (KG/MS)	1250	83.2	82.9	83.9	84.0	84.5	85.4	87.7	88.7	90.4	93.9	97.3	97.7	96.2	94.4				133.7
FREQ SHIFT	1500	81.3	83.2	83.7	84.0	85.1	85.8	87.3	88.8	89.8	93.0	95.9	95.2	93.6	92.2				133.1
DIAMETER RATIO DF/DM 1.00	2000	82.6	82.4	83.1	85.2	85.2	86.4	86.6	88.1	90.0	91.9	93.9	93.3	91.9	91.1				131.7
	2500	80.8	82.3	83.8	83.0	84.1	85.2	85.7	88.2	89.3	91.9	91.8	91.0	88.7	86.3				130.6
	3150	80.1	82.0	83.8	84.5	83.9	84.6	86.1	87.7	89.6	92.2	91.0	89.2	87.4	86.4				129.3
	4000	78.0	80.5	83.1	84.6	84.0	84.6	85.5	87.8	89.6	91.7	90.1	86.6	84.4	82.6				129.0
	5000	78.6	80.9	83.2	85.0	84.7	85.9	87.1	89.6	91.2	94.6	91.1	87.2	83.6	82.2				128.4
	6300	76.2	82.0	84.7	85.8	86.3	86.9	87.8	89.6	92.2	95.3	92.5	88.1	85.3	83.0				130.0
	7700	77.7	82.0	84.3	85.5	86.0	87.5	88.0	89.7	92.8	95.4	93.2	87.7	85.2	83.2				131.1
	10000	77.1	81.6	85.3	85.9	86.1	87.5	88.1	89.2	92.5	95.0	92.5	86.6	84.8	82.5				131.6
	12500	75.6	81.1	84.2	84.6	85.5	86.3	87.6	89.9	92.1	94.5	91.4	85.6	83.0	81.4				131.7
	15000	74.2	80.8	82.8	83.3	84.5	85.6	86.8	89.6	90.7	91.6	89.2	84.0	82.0	80.4				131.4
	20000	70.3	76.6	79.5	80.1	80.9	81.8	83.9	85.9	88.3	89.1	86.5	80.5	76.5	77.1				130.0
	25000	67.0	72.7	76.2	77.1	77.1	77.1	81.7	83.5	85.2	86.5	82.3	77.6	76.5	74.7				127.7
	31500	64.1	70.4	72.9	73.9	73.4	76.2	78.6	81.2	82.1	83.9	80.0	75.6	75.2	72.3				129.3
	40000	63.0	69.2	70.2	71.0	70.9	71.2	74.4	77.5	78.9	80.9	75.1	74.0	74.5	72.2				123.1
	50000	63.0	66.6	67.6	68.1	68.5	68.8	71.3	77.0	75.6	80.9	74.9	75.7	76.0	74.1				128.6
	63000	65.7	66.9	65.8	67.5	68.1	67.3	69.8	73.1	75.6	82.3	75.6	77.8	78.5	76.5				120.9
	80000	66.9	67.0	65.3	67.3	69.5	68.1	70.9	79.7	75.6	84.8	77.4	79.6	80.1	77.8				124.0
OVERALL MEASURED																			128.6
OVERALL CALCULATED		95.8	96.1	97.2	97.6	98.1	99.1	100.2	102.2	104.3	106.9	107.8	109.6	111.9	111.4				146.6
PMDR		106.4	107.5	109.0	109.6	109.7	110.5	111.7	113.5	115.6	118.6	118.2	118.2	119.5	118.9				

ORIGINAL PAGE IS
OF POOR QUALITY

513

SPL INPUT AT STD REV. ALPHA 12773	ANGLES FROM INLET IN DEGREES (AND RADIANS)																PWL	
	30.	40.	50.	60.	70.	80.	90.	100.	110.	120.	130.	140.	150.	160.	0.	0.		0.
NO-E2A	50	72.3	71.1	71.4	72.2	72.0	72.1	73.4	74.5	76.9	81.8	79.0	82.8	84.3	85.4			119.5
RDG. AG. 0.	80	77.1	75.4	76.0	76.1	75.8	76.4	77.8	78.1	80.3	83.1	85.5	88.9	91.8	93.1			125.3
RADIAL 40. FT.	100	78.9	78.1	79.4	79.1	79.4	79.4	81.9	83.1	84.5	87.9	86.9	93.3	97.0	96.7			129.6
(12. M)	125	82.2	80.7	80.9	81.2	80.2	82.9	85.4	85.9	87.2	90.4	91.4	95.6	98.5	99.5			131.9
VEHICLE JENOTS	160	83.4	84.6	84.4	84.7	84.4	85.4	87.3	89.1	90.6	93.6	93.4	102.1	100.6	100.8			135.3
CONFIG JE-058	200	87.5	86.5	84.9	85.0	84.0	86.0	87.0	89.0	90.8	94.3	96.8	101.1	103.7	104.0			136.7
LOC EVIDENCE	250	88.3	86.5	86.5	86.5	86.0	87.0	87.3	89.5	94.8	95.0	99.0	101.8	105.9	104.9			138.3
DATE 04-29-75	315	90.3	88.5	86.8	87.8	89.5	89.7	89.3	93.3	93.8	97.0	100.3	103.1	108.2	109.0			140.5
RUN DBTF-MODEL 9	400	88.1	84.2	89.3	86.8	88.1	87.9	90.0	92.3	94.3	98.1	97.5	104.5	107.7	106.8			139.9
TAPE X50230	500	87.1	88.1	88.3	86.8	87.7	88.9	91.2	92.2	94.4	96.4	98.7	104.6	107.8	105.1			139.7
BAR 29.5 HG	600	87.3	87.7	87.7	86.7	87.9	88.8	90.1	92.6	94.9	96.4	99.9	104.6	106.6	103.6			139.2
(99617. N/M2)	800	86.7	87.4	87.4	86.3	88.5	88.5	90.1	93.4	95.0	98.3	101.0	102.8	102.9	103.7			138.2
TAMP 69. DEG F	1000	87.3	86.6	86.8	87.4	88.0	88.9	90.7	92.1	94.4	98.3	100.0	100.4	99.8	98.4			136.4
(294. DEG K)	1250	85.7	86.2	86.4	87.5	88.0	88.7	90.7	91.9	93.7	97.4	99.6	100.2	97.4	94.4			135.6
TWET 53. DEG F	1600	84.8	86.5	86.4	87.5	88.1	89.0	90.5	92.0	93.6	96.8	98.1	97.7	95.1	91.5			134.4
(285. DEG K)	2000	85.6	86.6	85.6	88.4	88.7	89.4	89.6	91.9	93.3	95.4	96.9	96.5	93.6	91.3			133.6
HAGT 0. GM/M3	2500	84.6	89.4	86.8	87.2	87.9	89.0	89.5	91.2	93.3	95.1	95.0	96.2	90.9	88.8			132.9
(, KG/M3)	3150	83.6	86.2	87.3	88.8	88.9	88.9	90.3	91.7	93.1	94.7	94.0	92.7	90.1	87.7			132.4
FREQ. SHIFT	4000	81.6	84.8	86.8	86.4	88.7	89.6	90.9	92.5	95.4	94.7	92.6	92.4	88.4	86.4			132.8
JET 0	5000	81.4	84.9	87.2	89.5	89.7	90.4	91.6	94.4	97.4	96.6	93.1	91.2	88.9	86.2			134.1
DIAMETER RATIO	4300	84.2	89.5	91.7	93.6	93.8	93.9	93.1	95.8	98.7	99.1	94.0	92.1	90.0	89.3			136.4
DF/CM 1.00	5000	81.5	86.5	89.3	91.5	92.5	93.3	94.0	97.4	99.5	100.7	94.4	91.0	88.9	86.9			137.1
	17000	82.6	86.3	91.1	93.4	93.6	94.0	95.6	98.2	101.8	102.3	96.0	91.9	90.8	88.9			139.1
	12500	84.0	90.8	93.4	93.6	95.0	95.3	96.6	99.4	101.6	103.0	96.9	92.6	91.5	89.4			140.0
	16000	82.7	87.3	92.8	93.6	94.8	95.8	96.9	99.1	101.7	101.8	96.5	93.3	91.5	88.9			140.1
248	20000	79.5	86.6	89.5	91.8	92.1	92.6	95.4	97.7	99.6	100.1	95.0	91.7	88.8	86.6			138.6
	25000	77.5	85.5	87.7	89.6	90.1	91.1	93.0	95.2	96.7	97.3	93.0	90.1	86.3	85.5			136.7
	31500	74.5	82.1	84.7	86.9	86.9	89.0	90.6	92.2	93.4	95.4	90.3	86.9	85.7	82.1			134.6
	40000	72.0	79.5	82.0	84.0	84.4	85.2	86.6	88.5	90.4	91.2	86.1	84.3	83.7	81.7			131.8
	50000	69.4	75.6	78.3	80.9	80.8	82.3	84.3	85.5	88.0	91.2	84.9	85.4	84.8	83.1			131.4
	63000	65.5	72.7	74.3	77.3	77.1	80.1	81.3	83.9	86.9	92.0	85.6	86.5	87.0	85.8			133.1
	80000	67.6	69.7	70.0	72.3	73.0	79.1	80.7	82.2	86.1	93.6	87.1	88.9	88.6	87.3			137.1
OVERALL MEASURED																		
OVERALL CALCULATED		99.5	101.0	102.5	103.7	104.3	104.9	106.2	108.5	110.9	112.3	111.1	113.6	115.7	114.9			151.7
PNDB		110.0	112.1	113.6	115.0	115.3	115.8	116.2	118.5	121.0	122.3	121.1	122.4	123.0	122.1			

SPL INPUT AT STD REV: ALPHA 12/73	ANGLES FROM INLET IN DEGREES (AND RADIANS)																PWL	
	30.	40.	50.	60.	70.	80.	90.	100.	110.	120.	130.	140.	150.	160.	0.	0.		0.
FREQ. (0.52)	(0.70)	(0.87)	(1.05)	(1.22)	(1.40)	(1.57)	(1.75)	(1.92)	(2.09)	(2.27)	(2.44)	(2.62)	(2.79)	(0.)	(0.)	(0.)		
NO EGA	50	73.8	73.6	74.4	84.4	75.0	74.3	75.4	76.3	74.9	77.6	80.8	94.8	88.8	103.2			130.9
RDG. NO. 0	63	77.3	77.6	77.1	87.5	77.8	77.1	78.3	78.9	79.8	81.6	85.1	99.4	93.0	106.1			134.2
RADIAL 40 FT	80	79.6	79.6	79.0	89.4	79.3	80.2	81.6	81.8	83.1	85.1	88.5	102.9	96.0	108.6			137.0
VEHICLE (12 M)	100	82.6	81.6	82.4	92.4	82.4	83.6	85.9	86.8	88.2	89.4	91.9	107.3	101.3	112.7			141.2
CONFIG JE-057	125	85.4	84.4	84.2	94.9	84.2	86.7	89.1	89.9	91.2	92.4	94.9	109.6	102.8	114.3			143.1
LOC EVENDALE	150	90.6	87.4	87.1	97.1	87.4	89.1	92.1	91.4	94.6	95.9	97.9	111.9	104.8	116.1			145.1
DATE 04-30-75	200	90.3	88.8	86.8	98.0	88.5	90.0	91.5	92.3	94.5	97.5	101.8	116.9	108.7	119.8			149.3
RUN DBTF MODEL 5	250	91.5	91.0	89.8	100.3	90.3	90.8	91.5	93.0	98.8	99.3	104.3	118.0	110.9	117.6			149.4
TAPE X50250	315	93.0	91.0	90.3	101.8	92.8	92.9	92.0	96.3	97.3	100.0	104.8	118.1	113.2	122.8			151.7
BAR 29.3 HG	400	89.9	88.4	89.3	100.1	91.4	92.2	93.8	95.6	98.0	101.1	101.8	118.5	112.9	119.3			150.4
(98807, N/M2)	500	92.1	92.1	92.3	101.0	91.9	92.6	95.7	96.9	99.4	101.7	103.9	120.6	112.8	120.6			151.9
TAMB 68, DEG F	630	92.8	92.2	92.2	100.9	92.2	92.3	95.6	96.9	99.9	101.2	105.2	119.1	112.8	121.6			151.5
(293, DEG K)	800	91.2	91.7	92.1	102.5	93.0	93.5	95.1	98.4	100.3	103.5	105.7	118.3	108.9	118.4			149.9
TRET 61, DEG F	1000	92.1	90.6	92.0	101.7	92.3	94.2	93.7	97.8	100.4	103.3	105.4	115.4	106.1	113.7			147.0
(289, DEG K)	1250	90.5	91.2	92.1	101.8	93.2	93.9	97.7	97.7	99.9	103.1	105.6	115.5	103.7	110.4			146.5
HACT 0 GM/M3	1600	90.3	91.5	91.4	101.7	93.6	94.5	96.5	98.2	100.1	102.2	104.6	113.0	100.4	107.7			144.5
(, KG/M3)	2000	91.1	91.1	90.8	103.1	94.2	94.3	96.0	97.6	99.7	101.4	103.1	112.5	100.1	107.8			144.2
FREQ. SHIFT	2500	90.0	90.8	91.5	101.2	92.8	93.4	95.2	97.6	100.3	101.3	101.2	111.6	99.4	105.9			143.3
JET 0	3150	89.2	90.8	90.9	102.6	93.3	94.3	95.4	97.5	100.0	101.0	100.6	111.0	99.8	106.3			143.1
DIAMETER RATIO	4000	87.8	89.8	90.3	101.7	93.0	94.4	95.7	98.1	100.9	100.3	99.9	110.2	98.2	104.6			142.5
DF/DM 1.00	5000	87.6	89.8	90.9	101.9	93.6	94.7	96.6	99.1	102.9	100.1	100.0	110.0	97.8	103.4			142.7
	6300	88.0	90.8	92.0	104.1	94.9	96.0	97.7	100.4	103.3	99.7	99.6	109.9	97.6	102.8			143.3
	8000	87.3	90.9	93.2	104.9	96.1	97.2	98.4	101.1	104.4	100.0	98.5	108.9	97.0	102.3			143.5
	10000	87.5	91.7	93.3	105.5	96.7	97.6	99.7	102.3	105.3	100.4	97.6	107.5	96.4	102.3			143.9
	12500	87.9	91.9	93.8	106.3	97.7	99.4	101.2	104.0	105.5	101.6	98.2	106.7	95.4	101.5			144.8
	15000	87.1	92.2	93.4	105.7	97.9	99.4	101.5	103.8	105.8	101.7	98.1	106.4	94.4	100.3			145.1
	20000	85.1	90.9	92.3	104.6	96.4	97.6	99.9	102.2	103.6	100.3	96.8	104.5	92.8	98.4			143.9
	25000	82.8	88.7	90.7	103.3	94.3	95.6	97.2	98.8	100.0	96.8	93.8	101.9	90.3	95.5			141.8
	31500	78.4	84.5	86.3	99.0	89.3	92.1	93.9	95.9	96.8	93.7	90.6	98.5	87.5	91.9			138.8
	40000	74.3	78.7	81.7	94.3	85.6	86.4	88.6	91.3	93.6	88.7	85.1	94.0	83.2	89.7			135.1
	50000	69.3	74.7	76.7	90.0	81.1	82.7	85.0	87.7	89.4	84.6	80.6	94.0	83.6	91.5			133.4
	63000	67.2	69.1	71.8	87.0	78.3	78.8	81.3	84.1	86.1	81.2	76.5	96.2	86.2	93.7			135.0
	80000	67.6	65.4	66.2	85.3	77.5	77.8	79.2	81.6	81.8	79.5	75.1	98.1	88.1	95.5			139.1
OVERALL MEASURED																		141.2
OVERALL CALCULATED		103.8	104.6	105.3	116.6	107.8	109.0	110.9	113.0	115.4	114.7	116.1	128.7	121.0	129.6			
PNDB		115.0	116.0	116.4	127.5	118.4	119.4	121.0	123.2	126.2	126.1	126.8	138.2	128.9	137.1			

249

★ 10 dB TOO HIGH

ORIGINAL PAGE IS
OF POOR QUALITY

9
9

SPL INPUT AT STD REV: ALPHA 12/73	FRFQ.	ANGLES FROM INLET IN DEGREES (AND RADIANS)																PWL	
		30.	40.	50.	60.	70.	80.	90.	100.	110.	120.	130.	140.	150.	160.	0.	0.		0.
NO EGA	50	65.3	64.6	65.1	65.9	67.7	67.6	68.4	68.5	69.1	74.1	72.3	71.3	75.1	76.9				111.5
RDG. NO. 3	63	67.5	66.8	67.4	67.5	68.8	68.8	69.7	70.9	75.1	74.1	73.9	78.5	80.1					113.6
RASIAL 40. FT.	80	68.6	68.6	69.0	69.1	70.3	70.4	71.1	71.6	72.8	77.1	76.5	77.6	81.8	83.9				116.4
(12. M)	100	70.4	69.9	71.1	71.6	72.1	73.1	74.2	75.6	77.2	79.6	80.1	83.0	87.3	88.2				120.6
VEHICLE JENOTS	125	73.2	71.7	71.9	73.7	72.9	74.2	77.4	77.7	79.4	82.2	82.9	86.1	89.8	91.3				123.3
CONFIG JE-058	160	77.9	74.6	74.4	75.9	76.1	77.9	79.3	79.9	82.1	84.1	84.4	87.1	91.1	92.6				124.9
LOG EVENTUAL	200	83.0	80.3	79.0	79.5	79.5	80.0	80.0	82.0	87.5	86.5	87.5	87.8	92.2	94.9				127.1
DATE 04-29-75	315	82.9	80.3	79.8	81.0	82.0	83.2	81.5	83.8	85.3	86.5	87.5	87.9	92.4	97.0				128.0
RUN ERTF-MODEL 5	400	77.4	75.7	81.5	78.6	80.6	79.4	80.8	82.8	83.6	85.8	84.3	87.5	93.7	93.1				125.7
TAPR X5032J	500	76.1	77.6	79.3	78.0	78.9	79.6	81.4	82.2	83.9	85.4	86.9	91.9	93.3	94.1				127.3
BAR 29.5 HR	630	77.6	79.2	79.7	78.7	80.2	80.0	82.3	83.6	84.9	85.2	86.2	87.8	92.1	93.6				125.7
(29786. H/M2)	800	70.9	80.1	79.6	80.6	80.8	80.8	81.6	84.1	85.3	88.0	89.7	90.5	91.2	93.7				127.5
TARE 65. DEG F	1000	79.6	78.1	80.3	80.9	81.3	81.7	82.7	84.1	84.9	87.6	88.0	88.9	90.8	88.9				126.4
(293. DEG K)	1250	79.2	78.9	80.6	80.8	80.5	81.4	82.7	83.7	84.7	86.4	88.1	89.2	88.7	85.9				125.8
THET 54. DEG F	1600	79.1	86.5	80.9	81.0	80.8	82.5	82.8	84.0	84.6	85.8	87.6	87.5	86.1	83.5				125.2
(265. DEG K)	2000	81.1	81.1	81.0	82.7	83.0	83.4	83.0	83.6	84.2	85.6	86.7	87.5	85.3	82.5				125.3
WAGT 0. 64/MS	2500	82.3	81.5	83.5	82.7	82.4	83.4	83.4	84.4	85.0	86.1	86.0	85.7	84.2	82.5				125.4
(, KG/MS)	3150	78.3	81.9	82.5	83.5	83.1	82.8	83.0	84.4	85.3	87.4	86.4	85.1	82.3	80.6				125.4
FREQ. SHIFT	4000	77.4	80.9	83.2	83.3	83.6	83.3	83.6	84.9	86.3	88.1	87.3	84.1	81.8	79.5				126.0
JST 0	5000	80.0	84.3	85.4	85.4	84.3	84.8	84.8	85.0	87.6	90.5	90.7	86.1	84.3	82.4				128.1
DIAMETER RATIO	6300	82.8	87.6	87.8	87.9	87.4	87.2	86.7	85.4	86.6	91.2	91.9	88.0	86.6	84.6				130.0
DF/CM 1.00	8000	77.3	83.3	84.6	85.3	86.6	86.6	86.6	87.0	90.8	92.0	91.0	85.5	83.7	82.2				129.8
	10000	78.6	83.3	84.8	85.6	86.3	86.5	86.6	88.7	90.5	93.5	91.5	85.4	83.6	81.7				130.4
	12500	75.7	83.0	85.4	85.3	86.0	86.0	86.0	88.4	89.1	91.9	91.1	84.3	83.0	81.9				129.9
	16000	74.9	83.7	83.9	82.7	84.1	83.9	84.8	85.3	87.3	89.7	88.9	82.7	81.7	80.8				128.5
	20000	73.9	82.7	80.7	80.2	80.5	81.7	81.8	83.1	85.4	87.2	85.4	79.9	79.4	78.5				126.1
250	25000	68.9	78.1	80.6	79.7	79.0	78.7	80.1	80.9	82.9	84.4	81.9	77.3	78.4	78.4				124.5
	31500	65.2	76.1	77.4	77.1	75.1	76.4	77.2	79.7	79.1	81.5	78.7	74.5	75.1	74.2				122.0
	40000	62.7	72.4	73.4	73.9	72.2	72.3	74.0	73.1	78.2	77.5	74.7	70.6	71.6	70.4				119.2
	50000	60.3	67.1	70.3	70.4	70.3	70.6	72.6	73.5	74.0	75.9	71.4	69.6	69.7	68.1				118.1
	63000	57.2	64.4	66.3	66.5	59.1	67.3	71.1	72.4	71.6	75.5	69.6	69.8	69.2	67.8				115.6
	80000	59.4	60.0	60.5	62.0	69.3	68.9	70.2	71.7	69.1	76.3	68.6	70.4	70.6	68.6				121.2
OVERALL MEASURED																			
OVERALL CALCULATED		92.7	95.4	96.3	96.4	96.7	96.9	97.2	98.9	100.2	102.2	102.0	101.3	103.1	104.5				141.3
PNBB		105.4	108.0	108.7	108.9	108.9	109.0	109.0	110.6	111.8	113.8	114.0	112.5	112.3	112.4				

516

SPL INPUT AT STP REV, ALPHA 12/73	ANGLES FROM INLET IN DEGREES (AND RADIANS)																		PWL
	30.	40.	50.	60.	70.	80.	90.	100.	110.	120.	130.	140.	150.	160.	01	01	01		
NO. 83A	53	65.8	67.5	69.1	68.7	68.7	68.8	69.4	70.5	71.4	72.3	74.3	76.8	81.3	82.7				115.0
RDG, NO.	63	70.3	70.8	70.6	71.2	71.3	71.4	72.3	73.4	73.4	75.6	77.6	80.4	84.7	86.1				118.2
RADIAL 40 FT.	80	73.4	73.4	73.5	72.9	72.8	73.4	75.1	75.8	74.8	79.1	81.5	83.9	88.0	90.1				121.6
(12 M)	100	75.1	74.9	75.4	76.4	76.4	77.1	79.4	80.3	81.7	83.1	84.9	88.6	93.8	94.9				125.4
VEHICLE JENOTS	125	77.4	76.7	76.9	78.2	77.2	79.7	82.6	83.2	84.2	86.9	88.9	91.8	96.0	97.5				129.1
CONFIG JE-058	160	82.5	79.6	79.4	80.1	80.4	82.9	85.3	85.1	84.1	89.4	90.4	93.1	97.1	98.3				130.7
LOG EYE DALE	200	84.3	84.0	83.3	83.8	84.0	84.5	84.8	86.3	87.5	89.5	92.8	94.0	98.9	100.8				131.8
DATE 04-29-75	250	85.0	83.5	83.5	84.5	85.5	86.2	85.3	87.0	88.5	89.8	92.8	93.9	98.9	101.5				132.8
RUN DATE MODEL 5	300	81.4	79.7	83.5	82.5	84.9	84.7	85.8	87.8	89.5	92.1	90.3	96.3	100.4	97.3				132.6
TAPE X50340	500	81.6	83.3	84.6	83.3	84.7	85.6	87.7	88.9	90.4	91.9	94.2	98.6	99.6	96.8				133.4
BAR 29.5 HG	600	82.6	84.4	85.4	84.4	85.4	85.3	88.3	89.4	90.9	91.7	94.4	97.1	98.9	95.6				132.8
(99786, V/M2)	800	83.5	84.7	85.6	86.3	86.5	86.3	87.4	90.4	91.5	94.5	96.7	96.8	96.9	96.2				133.3
TAN 28 DEG F	1000	84.3	84.1	86.5	85.9	86.3	87.7	89.2	89.6	91.4	94.1	95.2	95.4	94.6	92.4				132.3
(293, DEG K)	1250	84.5	84.7	86.1	86.0	86.5	86.9	89.2	90.2	91.2	94.1	96.1	96.0	93.2	90.2				132.4
THEY 51 DEG F	1600	83.5	83.7	85.9	86.7	86.8	88.2	89.5	90.5	91.1	93.8	95.1	94.2	92.4	88.7				131.9
(285, DEG K)	2000	85.3	85.1	85.5	87.7	88.0	88.9	88.8	90.3	91.2	93.6	94.7	93.5	91.1	88.3				131.7
HAGT 0 GM/M3	2500	84.6	86.3	87.3	86.7	87.9	88.7	89.7	90.7	92.5	94.6	93.3	92.9	90.2	88.0				131.9
(, KG/M3)	3150	83.3	86.2	87.3	88.5	88.9	88.8	89.5	91.1	93.1	95.9	92.9	91.6	89.6	86.9				132.3
FRE, SHIFT	4000	82.2	85.7	87.5	88.3	88.9	89.3	90.4	92.7	94.1	96.4	92.6	90.6	88.8	86.8				132.7
JET 0	5000	83.5	86.3	89.4	90.9	90.8	91.3	91.8	93.8	96.6	98.5	93.0	90.4	89.5	87.6				134.5
DIAMETER RATIO	63.0	86.6	83.6	95.0	96.1	96.2	95.2	93.7	95.4	97.8	99.7	94.1	93.0	92.6	89.6				137.2
DF/DM 1.00	8000	84.0	89.8	91.6	92.1	92.6	93.4	93.6	96.3	98.6	100.2	94.5	91.0	90.2	88.7				136.7
251	10000	84.9	90.6	92.6	92.4	93.3	94.0	94.9	95.9	99.8	101.6	95.5	91.4	90.6	89.2				138.1
	12500	85.7	92.0	93.4	92.8	94.0	94.5	95.3	97.6	99.6	102.4	96.3	92.5	90.7	89.1				139.0
	16000	85.1	89.9	91.2	91.7	93.6	94.2	95.0	98.0	99.8	101.7	96.4	91.9	89.7	87.0				139.0
	20000	84.7	89.5	90.9	91.7	92.5	92.9	94.1	95.8	98.4	99.4	94.9	90.9	88.7	86.5				137.9
	25000	83.7	89.1	90.9	92.0	91.7	93.0	93.4	94.6	95.9	97.2	92.6	88.8	87.4	84.6				136.9
	31500	80.5	86.1	87.4	89.1	89.4	90.9	91.7	92.4	92.8	94.3	89.4	86.0	84.6	80.7				134.9
	40000	77.2	83.1	84.1	86.2	86.5	87.3	88.5	88.9	90.2	90.8	86.0	82.4	81.4	78.4				132.4
	50000	74.9	79.8	81.1	83.1	82.8	83.6	85.8	86.5	87.3	88.9	83.7	80.6	79.5	77.1				130.8
	63000	72.0	75.9	77.6	79.5	79.1	80.3	81.8	84.4	84.9	87.5	80.8	79.8	79.7	77.5				130.3
	80000	69.1	71.7	72.8	74.8	74.3	75.6	77.2	82.2	86.8	86.8	78.6	80.1	80.1	78.1				131.1
OVERALL MEASURED																			
OVERALL CALCULATED		97.9	101.6	102.9	103.5	104.1	104.5	105.2	107.1	109.1	111.0	108.1	107.9	109.4	109.1				149.1
FNRB		109.4	115.4	114.7	115.5	115.7	115.7	115.6	117.3	119.4	121.4	118.8	118.5	118.4	117.3				

ORIGINAL PAGE IS OF POOR QUALITY

SPL INPUT AT STD REV. ALPHA-12773	ANGLES FROM INLET IN DEGREES (AND RADIANS)																PHL	
	30.	40.	50.	60.	70.	80.	90.	100.	110.	120.	130.	140.	150.	160.	0.	0.		0.
NO-ESA	50	66.3	67.8	67.9	68.2	68.2	69.1	70.1	70.8	73.1	74.3	75.5	77.3	80.8	82.2			115.2
RDG. NO. 0.	60	69.3	69.8	69.6	69.7	70.0	70.9	72.3	72.9	74.9	76.3	78.1	79.4	84.0	84.8			117.6
RADIAL 40. FT. (12. M)	100	74.6	74.4	74.9	75.6	74.9	76.4	78.2	79.8	81.5	82.6	84.9	87.8	92.5	93.2			120.9
VEHICLE JENOTS	125	77.2	75.9	76.2	77.7	75.7	78.7	81.4	81.4	83.4	86.2	88.2	91.1	95.3	96.3			125.3
COMPIG JE-058	150	82.9	79.5	78.9	80.4	79.5	81.4	83.5	84.1	86.9	86.6	89.9	92.1	96.1	97.6			128.2
LOC EVERDALE	200	82.0	81.3	80.0	80.8	80.9	82.0	83.0	84.8	86.5	86.8	90.6	93.4	97.5	99.8			129.8
DATE 04-29-75	250	84.8	84.3	82.5	83.0	82.8	83.5	83.6	85.3	91.0	90.8	92.5	93.5	99.2	99.6			132.2
RUN ESTF-MODEL 5	315	85.5	83.8	82.0	84.0	84.5	85.2	84.3	88.5	88.3	90.5	92.6	93.9	99.2	102.8			133.2
TAPP X50360	400	81.4	79.4	84.5	81.9	83.6	83.4	84.8	87.8	88.8	91.8	90.3	96.0	99.4	98.6			132.3
BAR 29.5 HG (99651, N/M2)	500	80.3	81.3	83.1	82.0	82.9	84.1	85.7	87.7	88.9	90.4	92.4	97.4	99.1	97.6			132.4
TAM 69. DEG F (294, DEG K)	600	83.3	82.1	84.0	84.4	84.8	84.9	86.9	88.1	89.4	91.6	93.2	94.2	94.4	91.4			131.6
TWET 54. DEG F (285, DEG K)	1250	82.7	82.9	84.1	84.0	84.7	85.2	87.2	89.2	89.4	91.4	93.3	94.2	92.9	88.7			130.4
HAGT 0. GM/M3 (, KG/M3)	1600	81.8	84.9	83.9	84.2	85.3	85.7	86.8	88.5	88.8	91.0	93.1	92.5	90.4	87.7			129.8
FREQ. SHIFT JET 0	2000	83.9	83.6	84.3	86.4	86.7	86.9	87.0	88.3	89.2	90.6	92.2	91.8	89.1	86.5			129.7
DIA-STEM RATIO DF/DM 1.00	2500	82.0	83.1	86.3	85.7	86.6	87.2	87.7	89.2	89.3	91.3	90.8	90.7	87.7	85.0			129.6
	3150	82.1	84.9	86.0	87.2	87.6	87.6	88.0	89.4	89.8	92.1	90.7	89.7	87.8	84.9			130.0
	4000	83.4	84.2	86.0	87.1	87.2	87.8	88.1	90.2	91.1	92.9	90.1	88.6	86.6	84.0			130.2
	5000	85.5	88.6	93.2	92.8	92.6	92.6	91.1	92.1	92.9	96.0	92.3	90.4	91.6	89.6			133.8
	6300	86.1	90.4	94.1	93.9	93.7	93.0	92.0	92.9	93.9	97.5	93.2	91.0	92.2	90.2			135.0
	8000	82.4	85.1	90.4	90.6	91.4	91.2	91.1	93.1	94.6	97.3	93.0	89.6	88.8	88.0			134.2
	10000	83.2	90.2	92.7	91.7	92.4	92.3	91.7	94.0	95.8	97.9	94.6	89.9	89.4	89.0			135.5
	12500	82.8	90.9	93.5	92.4	93.3	92.6	92.4	94.0	94.9	96.0	94.2	89.6	88.6	88.2			135.9
	16000	82.5	90.8	92.3	92.1	93.5	92.5	92.4	94.3	94.7	96.6	93.5	88.3	87.0	86.4			135.9
252	20000	82.0	90.4	92.3	92.9	93.9	92.6	92.9	92.7	93.6	94.3	91.5	86.7	86.3	85.6			135.6
	25000	83.0	89.7	91.2	92.4	93.4	93.9	93.5	93.3	92.5	92.6	89.3	85.2	84.5	83.7			135.7
	31500	76.4	85.7	87.5	88.7	90.0	91.8	92.4	92.3	91.2	91.2	87.3	83.7	82.7	80.4			134.2
	40000	74.0	83.0	84.7	85.5	88.3	86.6	86.6	89.5	89.3	88.6	85.1	82.0	81.7	79.2			131.7
	50000	71.4	80.1	81.6	82.4	82.8	83.6	84.9	85.8	86.6	87.4	83.4	81.9	80.8	77.9			130.2
	63000	67.3	76.2	78.1	78.6	79.1	79.9	81.4	82.7	83.4	85.3	80.8	80.3	80.2	77.8			129.2
	80000	62.2	71.5	72.8	74.3	74.3	75.7	77.0	78.7	78.6	85.3	78.4	79.6	80.4	78.3			129.8
OVERALL MEASURED																		147.4
OVERALL CALCULATED		96.8	100.8	102.9	102.9	103.6	103.5	103.6	104.8	105.7	107.8	106.4	106.7	108.6	109.2			
RMS		100.8	111.4	113.9	113.9	114.1	114.2	113.9	115.3	116.3	119.0	117.2	116.9	117.7	117.3			

1319

MODEL SOUND PRESSURE LEVELS (59. DEG. F, 70 PERCENT REL. HUM, DAY - JENOTS)

SPL INPUT AT STD REV. ALPHA 12/75	FREQ.	ANGLES FROM INLET IN DEGREES (AND RADIANS)														PWL
		30.	40.	50.	60.	70.	80.	90.	100.	110.	120.	130.	140.	150.	160.	
NO EGA	50	67.1	67.8	68.4	69.2	69.5	69.8	69.4	71.0	72.4	74.6	75.8	77.5	81.8	82.7	115.6
RDG. NO. 0.	63	73.1	73.5	73.6	70.7	73.3	71.1	72.3	73.4	74.9	76.8	79.1	81.1	85.2	86.3	115.7
RADIAL 40 FT.	80	73.4	74.1	73.3	74.4	73.5	73.7	75.6	76.6	78.1	81.1	83.2	86.1	89.0	90.6	122.8
(12. M)	100	75.9	75.6	76.4	76.6	76.4	77.1	79.4	81.3	82.0	83.4	85.9	89.5	94.0	94.4	126.6
VEHICLE JENOTS	125	73.9	77.7	77.7	78.4	77.2	79.7	82.4	83.2	84.4	87.2	89.2	92.3	96.5	97.3	129.4
CONFIG JE-058	160	84.4	81.4	80.6	81.4	81.1	82.7	85.1	85.1	87.6	89.4	90.4	93.1	97.1	97.8	130.6
LOC EVELDALE	200	83.4	82.8	81.0	81.5	81.5	82.8	84.3	85.5	87.5	90.3	91.8	94.9	99.0	100.8	132.3
DATE 04-29-75	250	85.5	85.5	83.0	84.0	83.3	84.0	84.5	86.5	92.0	91.5	94.0	95.5	100.7	101.1	133.8
RUN DATE MODEL 5	315	86.5	84.3	83.8	84.8	85.8	86.7	85.8	87.3	89.5	92.3	94.0	95.6	101.4	103.8	134.7
TAPE X50370	400	82.4	80.4	85.8	83.4	84.9	84.7	86.0	87.6	89.8	93.3	92.0	97.8	101.2	100.6	134.0
BAR 29.9 HG	500	81.8	83.3	85.1	83.5	84.2	85.9	87.2	88.7	90.4	92.2	93.9	98.6	100.1	97.8	133.5
(9851.1 N/M2)	630	82.0	83.9	84.7	83.9	85.4	84.9	87.6	88.6	90.9	91.9	94.9	98.1	98.6	98.6	133.1
TAMP 69 DEG F	800	82.9	84.4	84.6	85.5	86.3	85.5	87.4	90.1	91.3	94.5	96.7	97.0	96.4	96.4	133.2
(204 DEG K)	1000	83.8	83.4	85.0	84.9	85.8	86.4	88.4	89.8	91.4	94.6	95.0	95.4	94.4	91.9	132.1
THER 54 DEG F	1250	83.5	84.2	84.6	85.5	86.0	86.4	88.2	89.7	90.4	93.6	95.6	95.7	93.2	89.2	131.9
(265 DEG K)	1600	82.3	85.0	85.2	85.7	86.6	87.2	88.5	90.0	91.1	93.3	94.6	93.5	91.4	88.0	131.3
HACT 0 GM/M3	2000	84.1	84.6	84.8	87.4	87.7	88.4	88.3	89.8	91.0	93.1	93.2	93.3	90.1	87.0	131.1
(. KG/M3)	2500	83.3	85.6	86.3	86.5	87.4	88.4	89.0	90.4	92.3	93.6	92.3	90.9	88.7	85.5	131.1
FREQ. SHIFT	3150	82.6	85.7	87.5	88.5	88.6	88.9	89.5	91.7	93.6	95.9	91.4	90.7	88.6	87.0	132.1
JET 0	4000	81.2	85.2	87.0	89.1	88.9	89.8	90.6	93.5	95.6	96.4	91.3	89.1	87.3	85.3	133.0
DIA. RATIO	5000	81.0	85.6	87.9	89.6	90.6	91.1	92.1	94.8	98.4	98.8	91.3	89.4	87.6	85.6	134.9
DF/CM 1.00	6300	81.0	86.9	89.1	91.6	92.2	93.0	93.7	95.4	98.9	99.0	92.7	89.8	88.2	86.7	135.1
	8000	82.0	87.9	89.7	91.9	92.8	94.5	95.1	97.8	100.6	100.8	94.3	90.6	88.5	87.0	137.6
	10000	83.1	89.2	90.7	92.7	93.7	95.1	95.9	99.5	102.3	101.9	95.6	90.9	89.6	88.0	139.3
	12500	83.3	90.1	92.5	93.7	94.6	95.6	97.4	100.2	102.4	103.3	96.7	92.4	90.3	88.0	140.4
258	16000	83.2	89.8	92.8	94.1	94.8	95.6	97.7	100.9	102.2	101.0	96.5	93.0	90.8	88.6	140.6
	20000	81.0	87.8	90.8	92.9	93.4	94.3	96.7	99.0	100.6	100.6	95.7	92.0	89.5	87.3	139.6
	25000	78.5	84.5	88.5	90.4	91.1	92.6	94.5	95.5	98.0	99.2	94.3	90.9	88.3	85.0	138.1
	31500	74.6	82.7	85.0	86.9	87.2	89.8	91.6	93.8	94.7	95.4	91.6	87.9	85.2	81.4	135.4
	40000	72.0	80.5	82.7	84.8	84.3	85.9	88.1	90.0	91.8	91.4	86.1	83.0	81.2	78.4	132.6
	50000	68.9	77.6	79.8	81.9	81.8	82.8	85.6	87.8	89.9	89.2	83.2	80.9	79.3	76.9	131.3
	63000	65.5	74.2	76.4	78.6	77.6	79.4	83.4	85.2	86.4	86.9	80.1	79.3	78.9	76.8	130.3
	80000	60.4	68.5	71.1	72.8	73.1	75.2	81.2	82.9	83.6	84.3	78.6	79.6	78.9	78.3	131.0
OVERALL MEASURED																
OVERALL CALCULATED		96.9	99.9	101.6	103.1	103.7	104.8	106.2	108.8	110.9	111.5	108.1	108.2	109.9	110.0	149.9
PWDS		108.1	110.6	111.9	113.3	113.9	114.8	115.6	118.0	120.4	121.5	118.1	117.9	118.1	117.8	

ORIGINAL PAGE IS OF POOR QUALITY

MODEL SOUND PRESSURE LEVELS (59. DEG. F, 70 PERCENT REL. HUM, DAY - JENOTS)

SPL INPUT AT STD REV. ALPHA 12/73	FREQ.	ANGLES FROM INLET IN DEGREES (AND RADIAN)															DAL		
		30.	40.	50.	60.	70.	80.	90.	100.	110.	120.	130.	140.	150.	160.	0.		0.	0.
NO-EGA	50	70.8	71.3	71.9	72.2	72.2	72.3	72.9	74.0	74.4	76.1	79.0	81.8	85.8	87.4				119.3
RDG. NO. 0.	63	74.8	78.8	78.9	74.7	75.0	75.1	76.5	76.5	78.1	80.1	83.1	85.6	89.7	90.8				123.0
	80	76.9	77.4	77.3	77.4	77.5	77.9	79.3	79.6	80.8	83.4	86.7	89.4	93.3	95.1				126.6
RADIAL 40. FT. (12. M)	100	80.1	79.6	80.4	80.6	80.4	81.4	83.2	84.6	85.5	87.6	90.4	94.0	96.8	99.2				131.2
	125	83.2	82.9	82.2	83.2	81.9	84.2	86.9	87.2	88.2	91.2	92.9	96.6	100.0	101.3				133.3
VEHICLE JENOTS	160	83.6	86.4	85.4	85.9	85.6	86.9	89.3	89.4	92.1	93.9	94.9	98.4	101.8	102.3				135.2
CONFIG JE-058	200	83.5	86.0	86.3	86.5	86.0	87.8	89.0	90.5	92.0	95.0	98.6	102.1	105.0	105.8				139.0
LCC EVENDALE	250	90.5	90.3	88.5	88.5	88.5	89.3	89.0	91.0	96.8	97.0	101.0	103.8	107.9	105.9				140.0
DATE 04-29-75	315	91.8	88.8	88.3	89.8	90.5	90.9	90.0	94.0	94.8	97.8	101.8	104.4	109.7	109.8				141.7
RUN DBTF-108EL 5	400	87.4	85.7	90.5	88.4	89.4	89.7	90.8	94.8	95.3	99.1	98.8	105.3	110.2	107.3				141.5
TAPE X50410	500	87.3	89.1	89.8	88.2	89.7	90.4	91.9	94.2	95.9	97.9	100.4	105.9	106.3	106.3				140.8
BAR 29.15 HG (99685, N/M2)	600	88.6	89.2	89.7	88.7	90.2	89.5	92.6	94.4	98.9	98.7	101.9	105.6	107.9	105.6				140.7
TAMP 69. DEG F (294, DEG K)	1000	89.1	87.6	89.5	89.4	90.5	91.2	93.7	95.1	96.9	100.6	101.7	101.2	101.4	98.7				139.1
	1250	87.5	88.7	88.9	90.0	90.0	90.9	93.4	94.7	96.4	99.9	102.1	101.7	98.2	95.4				137.7
TWET 54. DEG F (285, DEG K)	1600	87.3	89.0	88.9	90.0	90.8	91.2	93.5	95.2	96.6	99.0	100.6	99.2	97.1	93.0				136.8
	2000	88.1	88.1	88.5	90.7	91.2	91.6	93.0	94.8	96.2	98.1	99.4	98.5	95.9	92.5				136.1
HACT 0. GM/M3 (, KG/M3)	2500	87.1	88.6	89.5	89.5	89.9	91.2	92.7	94.7	96.5	98.1	98.0	97.2	94.4	91.0				135.6
	3150	85.8	88.2	89.5	90.3	91.1	91.6	92.5	94.7	97.1	97.6	97.2	96.4	94.6	91.7				135.5
FREQ. SHIFT JET 0	4000	84.2	87.0	88.8	90.3	91.2	92.1	93.1	95.7	98.3	97.2	96.1	94.6	92.3	90.5				135.5
	5000	84.3	87.8	89.2	90.6	91.3	92.9	94.6	97.8	100.9	97.8	95.8	95.2	93.3	90.6				136.9
DIAMETER RATIO DF/DH 1.00	6300	83.8	88.4	91.3	91.9	93.7	94.5	95.7	98.2	101.4	98.0	95.4	94.3	92.9	89.7				137.6
	8000	83.9	88.9	91.4	92.4	94.6	96.0	96.6	99.3	102.4	98.8	95.3	93.1	92.3	89.5				138.7
	10000	84.7	90.2	93.7	94.7	95.9	96.8	97.7	101.2	104.1	99.9	95.6	92.9	91.9	89.5				140.3
	12500	84.8	91.4	94.5	95.4	97.1	98.1	99.6	102.5	104.2	101.0	96.4	92.9	91.8	88.5				141.5
25A	15000	83.7	95.8	93.8	94.8	96.8	98.0	99.9	102.1	103.7	101.1	96.7	93.3	91.0	87.9				141.7
	20000	81.8	88.8	91.0	93.1	95.1	96.1	96.2	100.2	101.8	99.1	95.7	91.7	89.5	85.8				140.3
	25000	79.5	86.3	90.0	91.6	92.9	94.4	96.3	98.3	99.3	97.1	92.8	89.9	86.3	84.0				138.7
	31500	75.6	84.4	87.0	88.7	89.2	91.8	93.4	95.5	96.7	94.7	90.8	87.9	85.7	80.9				136.6
	40000	74.0	82.2	84.5	86.0	86.8	87.9	89.6	91.5	93.3	90.9	86.6	84.0	82.4	78.2				133.8
	50000	71.9	79.8	81.3	82.6	82.8	85.1	86.9	88.8	90.9	86.4	83.4	81.7	80.5	76.9				132.1
	63000	69.3	75.2	77.4	79.1	79.1	81.9	84.1	85.7	87.9	87.5	81.1	80.5	80.2	77.3				131.6
	80000	68.4	70.8	72.1	73.8	74.3	79.9	82.2	84.2	84.6	86.6	78.9	80.6	80.9	78.1				132.6
OVERALL MEASURED																			
OVERALL CALCULATED		101.0	102.7	104.2	105.1	106.3	107.3	108.8	111.3	113.3	112.6	112.9	114.6	117.3	116.0				153.1
PNDB		111.9	113.6	114.8	115.6	116.5	117.3	118.6	121.2	123.8	123.3	123.5	123.8	125.2	123.5				

SPL INPUT AT STD REV; ALPHA 12/73	FREQ.	ANGLES FROM INLET IN DEGREES (AND RADIANS)															PWL		
		30. (0.52)	40. (0.70)	50. (0.87)	60. (1.05)	70. (1.22)	80. (1.40)	90. (1.57)	100. (1.75)	110. (1.92)	120. (2.09)	130. (2.27)	140. (2.44)	150. (2.62)	160. (2.79)	0. (0.)		0. (0.)	0. (0.)
NO. EGA.	30	60.3	60.6	62.1	63.9	64.5	63.1	63.9	64.5	65.4	64.6	65.5	66.5	69.6	72.2				106.4
RDG. NO. 0.	63	62.1	62.8	63.4	64.2	65.3	64.6	65.8	65.7	66.6	67.6	68.3	69.9	73.5	77.1				109.2
RADIAL 40, FT.	80	63.1	63.9	65.0	65.6	66.5	65.9	67.3	67.8	68.8	70.1	71.2	74.4	76.8	81.1				112.3
(12. M)	100	65.9	65.4	66.6	66.9	67.6	68.6	70.9	71.8	73.0	74.6	75.6	79.0	82.8	83.4				116.2
VEHICLE JENOTS	125	68.4	67.4	67.4	68.9	69.4	71.2	73.9	73.4	74.7	77.2	78.9	81.8	85.5	87.8				119.3
CONFIG JE=087	160	72.1	70.1	69.6	71.1	71.6	73.6	76.3	75.9	78.6	79.4	80.1	83.1	86.3	87.8				120.5
LOC EVENDALE	200	74.8	74.3	73.3	73.3	73.3	75.3	76.8	77.5	79.3	81.5	82.6	86.9	89.5	92.0				123.3
DATE 04-30-75	250	77.3	77.0	76.3	78.0	77.8	78.0	78.0	80.0	85.8	84.8	86.5	87.3	91.4	93.9				125.9
RUN DBTF=MODEL 5	315	80.0	78.3	77.5	79.3	80.8	81.9	80.3	83.8	84.3	85.3	86.5	88.1	91.9	97.0				127.5
TAPE X50420	400	77.4	73.9	76.0	78.1	80.6	79.2	80.5	82.1	83.0	83.8	81.8	87.8	91.2	90.3				124.8
BAR 29.3 HG	500	74.8	75.6	77.1	76.0	76.7	77.9	79.7	80.4	82.4	82.9	83.9	90.1	91.8	92.3				125.5
(98807, N/M2)	630	76.1	77.4	78.9	77.7	79.4	79.3	81.1	81.4	82.7	82.2	84.2	85.1	90.9	94.3				125.7
TAMB 69, DEG F	800	77.4	78.6	80.6	79.8	79.5	78.5	80.4	81.9	83.5	85.5	87.2	89.3	90.4	92.2				125.9
(291, DEG K)	1000	79.3	78.4	80.0	79.6	79.5	80.4	81.2	82.6	83.6	85.1	85.7	88.4	90.1	87.9				125.2
THET 60, DEG F	1250	78.2	77.2	78.3	78.8	79.0	79.7	82.6	82.4	83.7	85.1	86.3	89.2	88.4	85.9				125.0
(289, DEG K)	1600	77.0	78.2	78.1	78.2	79.1	80.0	81.0	82.0	82.8	84.5	86.6	87.4	85.4	83.5				123.9
HACT 0, GM/M3	2000	78.8	77.3	77.0	79.1	80.0	80.1	80.5	81.6	82.5	83.6	85.4	86.5	84.3	82.0				123.3
(, KG/M3)	2500	77.5	77.5	77.9	77.4	77.8	78.6	79.6	80.9	82.2	83.0	83.7	85.6	82.6	78.9				122.3
FREQ. SHIFT	3150	75.0	76.8	76.9	77.6	77.5	78.3	78.9	80.3	81.2	82.5	83.6	84.3	81.0	78.1				121.6
JET 0	4000	74.0	75.8	75.8	77.2	76.7	78.2	78.5	79.1	80.6	82.0	82.9	82.4	78.6	76.1				120.8
DIAMETER RATIO	5000	73.3	75.8	76.2	75.9	77.1	77.7	79.1	80.4	81.2	81.6	82.5	82.7	78.3	75.7				120.9
DF/DM 1.00	6300	73.0	77.0	76.5	77.1	78.1	79.4	79.6	80.6	82.3	82.9	81.8	81.2	78.8	76.6				121.6
	8000	72.8	76.9	76.4	77.4	78.1	79.2	78.8	80.3	81.9	84.0	85.0	81.8	79.2	77.7				122.4
	10000	71.7	75.6	75.9	76.7	77.9	77.6	78.2	80.5	82.1	82.6	83.8	81.7	78.1	76.5				122.0
	12500	69.1	73.7	73.7	74.2	75.9	76.1	76.7	78.0	79.7	80.3	80.7	79.9	75.8	73.2				120.0
	16000	66.6	70.4	70.4	71.4	73.3	74.1	74.5	76.2	77.0	77.7	77.6	76.1	73.4	70.2				117.8
	20000	62.5	67.6	67.8	68.6	70.1	70.5	71.9	73.4	75.0	75.5	74.2	72.7	69.7	67.0				115.4
	25000	59.5	64.2	64.7	65.3	65.8	66.3	68.2	69.7	71.4	71.7	70.2	68.6	66.4	63.9				112.2
255	31500	54.4	59.2	59.7	60.9	61.2	63.6	64.9	65.5	66.7	68.6	66.6	65.4	63.7	60.4				109.0
	40000	52.0	54.9	55.2	56.5	57.3	56.8	59.3	60.2	61.5	64.1	61.3	61.9	60.9	59.9				105.0
	50000	52.2	52.6	52.1	53.7	55.3	54.4	55.9	56.3	55.6	64.0	60.5	63.0	63.1	62.2				105.1
	63000	54.9	53.6	53.2	54.7	56.7	54.7	55.7	57.0	53.2	66.1	62.4	65.7	65.4	64.7				108.8
	80000	57.0	54.9	54.2	55.4	58.4	57.0	58.1	58.3	54.0	68.2	64.5	68.0	67.8	66.7				113.9
OVERALL MEASURED																			
OVERALL CALCULATED		89.4	89.8	90.2	90.7	91.5	92.0	92.9	94.1	95.7	96.7	97.7	99.7	101.2	102.9				137.2
PNDB		101.2	101.9	102.1	102.7	103.1	103.8	104.7	105.9	107.2	108.3	109.3	110.6	109.7	110.6				

ORIGINAL PAGE IS OF POOR QUALITY

SPL INPUT AT STD REV, ALPHA 12/73	ANGLES FROM INLET IN DEGREES (AND RADIANS)																		PWL
	30, (0,52)	40, (0,70)	50, (0,87)	60, (1,05)	70, (1,22)	80, (1,40)	90, (1,57)	100, (1,75)	110, (1,92)	120, (2,09)	130, (2,27)	140, (2,44)	150, (2,62)	160, (2,79)	0, (0,)	0, (0,)	0, (0,)		
NO EGA	50	61.1	62.8	63.9	63.4	63.5	63.3	63.9	64.3	66.1	66.6	67.0	68.5	71.6	75.9			108.0	
RDG. NO, 0.	63	63.1	64.3	65.1	65.2	65.0	65.1	65.8	66.4	67.1	68.1	68.3	69.1	71.1	74.5			112.1	
RADIAL 40, FT.	80	64.6	65.4	65.8	65.9	65.8	66.2	67.1	68.1	69.6	70.4	72.0	75.1	77.8	81.6			112.8	
(12, M)	100	66.9	66.4	67.6	67.4	67.1	69.1	71.7	72.8	74.0	74.9	76.1	80.0	83.5	85.2			117.2	
VEHICLE JENOTS	125	68.9	67.7	67.4	69.2	68.9	71.2	73.9	74.2	75.9	78.2	79.4	82.8	86.5	89.3			120.3	
CONFIG JE-087	160	72.9	71.1	70.6	72.1	71.6	74.1	76.6	76.9	80.1	80.6	81.1	84.6	87.3	91.6			122.4	
LQC EVENDALE	200	75.3	75.5	75.3	74.0	74.3	76.0	77.0	79.0	80.0	80.0	83.1	86.6	90.2	93.5			124.3	
DATE 04-30-75	250	77.5	77.3	76.3	77.5	77.5	78.0	79.0	80.0	85.5	85.0	86.5	87.3	91.2	93.6			125.8	
RQN DBTF=MODEL 5	315	80.0	78.8	77.8	79.3	81.0	82.2	80.8	84.0	85.0	85.5	86.8	88.4	91.9	96.8			127.5	
TAPE X80430	400	76.6	73.9	75.5	77.1	79.4	78.2	80.3	81.3	82.5	83.8	82.3	88.0	91.4	90.3			124.8	
BAR 29.13 HG	500	74.3	78.3	76.8	76.3	77.2	77.6	79.9	79.9	82.4	82.7	84.4	90.0	91.8	91.8			125.5	
(98807, N/M2)	630	76.3	78.9	78.4	77.4	79.4	78.8	80.8	81.4	82.7	82.2	84.4	88.8	90.9	93.6			125.6	
TAMB 65, DEG F	800	77.4	78.4	78.4	79.5	79.3	78.5	80.1	82.1	83.8	85.3	87.2	89.8	90.2	91.7			125.9	
(291, DEG K)	1000	78.1	77.4	79.3	78.9	79.0	80.2	81.7	82.3	83.6	85.1	85.9	87.9	89.3	86.9			124.8	
TWET 80, DEG F	1250	77.7	77.2	78.1	78.5	79.5	79.7	82.4	82.2	83.4	85.1	86.3	88.5	87.4	84.4			124.5	
(289, DEG K)	1600	77.0	78.0	78.4	78.2	79.1	80.0	81.3	81.7	82.8	84.2	85.6	86.7	84.9	81.7			123.5	
HACT 0, GM/M3	2000	78.3	77.3	77.3	79.6	79.7	80.1	80.5	80.8	82.2	83.1	84.9	85.7	83.3	80.5			122.9	
(, KG/M3)	2500	77.5	77.5	77.9	77.4	77.8	78.9	79.1	80.6	82.0	82.8	83.2	84.4	81.1	77.9			121.8	
FREQ. SHIFT	3150	75.2	76.8	77.4	78.4	77.8	78.0	78.9	79.8	81.2	82.8	83.1	83.3	80.0	76.6			121.4	
JET 0	4000	74.3	76.3	76.8	77.7	77.2	77.9	78.5	80.1	81.1	83.0	84.1	82.6	78.1	75.9			121.4	
DIAMETER RATIO	5000	73.8	77.1	76.9	77.7	77.9	78.4	79.1	79.9	81.7	82.6	84.3	83.2	77.8	76.2			121.6	
DF/DM 1.00	6300	73.7	77.3	77.5	78.1	79.1	79.4	80.1	81.1	82.5	83.2	82.1	81.9	78.6	76.6			122.0	
	8000	73.6	77.9	77.6	78.1	79.1	79.9	79.8	81.3	84.1	85.7	85.0	81.6	78.7	77.5			123.3	
	10000	72.9	77.6	78.1	78.2	78.9	79.8	79.9	82.2	83.6	85.3	86.6	79.7	77.9	76.5			123.8	
	12500	70.9	76.2	76.7	76.7	77.4	78.1	79.2	79.7	82.2	83.8	83.7	78.6	76.1	74.5			122.3	
	16000	67.6	73.4	73.1	73.2	74.6	75.6	76.5	78.0	78.8	79.7	79.6	75.6	73.1	71.5			119.4	
	20000	64.0	69.6	70.0	69.8	70.8	71.3	72.9	74.4	76.5	76.5	76.4	72.2	70.0	67.5			116.6	
	25000	60.5	65.9	66.7	66.8	67.3	68.5	69.9	71.4	72.7	73.2	71.7	68.6	66.7	64.4			113.6	
	31500	53.6	61.2	61.5	62.7	62.5	64.5	66.4	67.8	68.7	70.1	68.1	65.2	63.7	60.9			110.5	
	40000	52.5	58.4	57.2	57.2	57.8	58.8	60.5	63.2	63.8	66.1	62.3	60.9	61.4	59.4			106.5	
	50000	52.4	53.1	52.6	54.2	55.3	54.9	56.4	62.6	60.1	67.5	60.3	62.7	62.6	61.4			107.0	
	63000	55.1	53.3	51.7	54.2	56.2	55.2	55.7	65.3	61.0	69.9	61.9	65.4	65.1	64.4			111.0	
	80000	56.8	54.1	52.9	54.9	57.9	56.3	57.6	67.1	63.0	72.5	64.0	67.3	67.5	66.2			116.2	
OVERALL MEASURED																			
OVERALL CALCULATED		89.4	90.2	90.5	91.0	91.7	92.2	93.3	94.3	96.1	97.2	98.1	99.7	101.1	103.0			137.5	
PNDB		101.3	102.1	102.5	103.2	103.4	103.8	104.8	105.9	107.4	108.7	109.7	110.2	109.3	110.5				

522

		MODEL SOUND PRESSURE LEVELS (59, DEG F, 70 PERCENT REL HUM, DAY = JENOTS)																	ANGLES FROM INLET IN DEGREES (AND RADIANS)			PWL
SPL INPUT AT STD REV. ALPHA 12/73		30	40	50	60	70	80	90	100	110	120	130	140	150	160	0	0	0				
		(0.52)	(0.70)	(0.87)	(1.05)	(1.22)	(1.40)	(1.57)	(1.75)	(1.92)	(2.09)	(2.27)	(2.44)	(2.62)	(2.79)	(0)	(0)	(0)				
NO EGA	50	61.3	61.6	62.9	63.4	63.2	62.6	63.9	64.5	65.4	66.3	67.8	70.5	73.8	75.2				109.3			
RDG, NO. 0	63	83.6	63.8	64.6	64.7	64.8	64.1	65.5	66.2	67.1	69.1	71.1	74.6	77.5	79.1				111.5			
RADIAC 40, FT.	80	65.6	66.1	66.5	65.9	66.0	65.9	67.8	68.3	70.3	71.4	74.5	78.1	80.5	81.9				114.4			
(12, M)	100	68.4	67.6	68.4	67.9	67.9	69.4	71.9	73.1	74.5	75.9	77.6	82.0	86.0	86.2				118.7			
VEHICLE JENOTS	125	71.2	69.9	69.4	70.7	69.9	72.7	75.1	75.2	77.4	79.7	81.4	85.6	88.5	90.0				121.9			
CONFIG JE 057	160	76.6	74.4	73.4	73.4	73.9	75.1	78.6	78.1	81.4	82.1	83.6	87.1	90.1	92.3				124.1			
LOC EVENDALE	200	77.0	76.3	73.8	74.8	75.3	75.8	77.8	78.8	81.5	84.3	86.8	90.6	93.2	95.5				126.9			
DATE 04-30-75	250	80.5	79.0	78.3	80.3	79.5	79.3	80.5	83.5	89.3	89.3	92.3	94.0	97.9	98.1				131.0			
RUN DBTF MODE 5	319	84.0	81.5	80.0	82.0	83.8	84.7	83.3	88.0	89.3	91.5	94.0	95.4	99.9	102.8				133.7			
TAPE X50460	400	83.1	79.4	81.8	84.9	86.4	85.4	88.5	89.6	91.8	92.8	91.5	96.8	100.2	99.3				133.5			
BAR 29.3 HG	500	79.3	79.1	79.6	79.3	80.2	81.1	83.4	83.9	86.2	87.2	90.2	97.4	99.1	96.3				131.5			
(98807, N/M2)	630	79.8	79.9	80.4	79.7	80.4	80.3	82.8	83.9	86.9	87.7	90.9	96.1	97.9	99.3				131.4			
TAMB 65, DEG F	800	79.7	80.4	81.1	81.0	81.5	80.8	82.4	84.9	86.8	90.0	92.2	95.3	95.9	97.4				130.7			
(291, DEG K)	1000	81.1	79.4	81.5	80.9	80.8	81.2	83.4	84.8	86.9	89.6	91.2	93.9	93.8	92.9				129.2			
THET 60, DEG F	1230	79.7	79.7	80.8	80.0	81.2	81.4	85.4	84.9	86.4	89.9	92.3	94.5	92.7	89.7				129.2			
(289, DEG K)	1600	78.5	79.5	80.1	80.5	81.6	82.7	83.5	84.7	86.3	88.7	91.1	92.2	90.1	86.7				127.8			
HACT 0, GM/M3	2000	79.1	78.6	78.3	80.9	82.0	82.6	83.0	84.8	86.2	88.1	89.9	91.0	88.3	85.5				127.0			
(, KG/M3)	2500	78.0	78.5	79.2	78.9	79.8	80.6	82.1	83.6	85.7	87.5	87.9	89.4	85.4	82.4				125.6			
FREQ, SHIFT	3150	76.0	77.3	78.2	78.9	79.0	80.0	80.9	82.3	84.2	86.8	87.3	87.5	84.2	80.1				124.6			
JET 0	4000	74.3	76.0	76.8	77.7	77.7	79.7	80.7	82.1	83.9	85.8	85.9	84.9	79.6	77.4				123.3			
DIAMETER RATIO	5000	74.6	76.3	76.7	76.9	77.4	78.7	80.4	81.9	83.9	85.6	85.3	83.9	78.8	76.2				123.0			
DF/DH 1.00	6300	73.7	75.8	76.0	76.8	77.9	78.7	80.1	81.4	83.0	84.4	84.1	83.2	78.1	74.6				122.4			
	8000	72.1	75.6	75.4	76.4	77.1	78.2	79.1	80.8	82.6	84.2	83.0	79.8	76.7	74.0				121.8			
	10000	71.4	75.4	75.9	75.9	76.6	77.8	78.4	81.0	82.6	82.8	82.8	78.2	75.6	73.5				121.6			
	12500	69.1	73.9	74.0	74.2	74.9	76.4	77.4	79.2	80.7	81.3	80.4	76.6	73.6	71.7				120.2			
257	16000	66.1	70.6	71.4	71.4	72.6	74.1	75.7	77.5	78.8	79.4	77.8	73.9	71.1	69.0				118.5			
	20000	62.8	67.1	67.8	67.8	68.8	70.3	72.6	74.7	76.8	76.3	74.7	70.7	68.0	65.5				116.0			
	25000	59.2	63.7	64.4	64.5	65.0	67.3	69.2	71.4	73.4	73.2	70.4	67.1	65.4	62.7				113.1			
	31500	54.6	58.9	59.2	59.7	60.2	63.0	65.6	68.0	68.7	69.4	66.6	64.2	62.7	59.9				109.7			
	40000	52.2	54.7	54.7	55.7	56.0	56.8	59.8	63.4	64.0	64.8	61.5	61.4	60.9	59.7				106.5			
	50000	53.4	52.6	51.6	53.2	54.8	54.6	55.7	63.3	60.6	64.0	61.3	63.7	62.8	61.7				106.3			
	63000	55.4	53.3	52.2	53.9	56.2	54.7	55.7	65.0	61.5	65.9	62.7	65.7	65.4	64.7				109.9			
	80000	57.0	53.6	53.2	54.9	57.4	56.8	57.6	67.6	63.5	68.0	65.0	68.3	67.3	66.2				115.1			
OVERALL MEASURED																			141.9			
OVERALL CALCULATED		92.0	91.4	91.9	92.7	93.5	94.0	95.7	97.2	99.4	101.1	102.7	105.6	107.5	108.0							
PND8		102.6	103.0	103.5	104.1	104.7	105.5	106.9	108.3	110.4	112.3	113.3	114.8	115.0	114.9							

ORIGINAL PAGE IS OF POOR QUALITY

SPL INPUT AT STD	30.	40.	50.	60.	70.	80.	90.	100.	110.	120.	130.	140.	150.	160.	0.	0.	0.	PWL
REV. ALPHA 12/73	FREQ. (0.52)	(0.70)	(0.87)	(1.05)	(1.22)	(1.40)	(1.57)	(1.75)	(1.92)	(2.09)	(2.27)	(2.44)	(2.62)	(2.79)	(0.)	(0.)	(0.)	
NO EGA	50	63.3	63.3	64.9	67.9	67.5	65.6	66.6	66.5	68.1	68.6	70.3	73.0	75.6	81.7			112.0
RDG. NO. 0	80	66.9	67.9	67.8	68.8	69.5	68.4	70.3	70.3	72.8	74.1	76.7	80.1	82.3	86.6			116.9
RADIAL 40, FT.	100	69.9	68.9	70.1	70.6	71.1	71.9	74.4	75.1	76.5	77.9	80.1	84.3	88.0	90.2			121.4
(12. M)	125	72.7	71.4	71.2	72.4	72.4	74.7	77.1	76.9	78.7	80.7	82.7	86.3	89.3	92.3			123.3
VEHICLE JENOTS	160	78.4	75.9	75.4	75.4	76.1	76.9	80.1	80.1	83.9	84.4	86.9	90.1	92.3	96.3			127.1
CONFIG JE-057	200	79.0	79.3	76.3	77.3	77.8	79.0	80.3	81.0	84.3	88.0	90.8	94.6	96.5	99.3			130.5
LOC EVENDALE	250	81.5	81.0	79.8	80.8	80.5	81.0	82.3	84.3	90.8	91.3	95.0	96.3	100.2	99.1			133.0
DATE 04-30-75	315	86.0	83.8	82.5	84.3	85.3	86.2	84.8	89.5	91.8	96.0	98.8	99.9	103.7	106.8			137.6
RUN DBTF-MODEL 5	400	84.4	80.7	83.5	85.9	86.9	86.4	88.8	90.3	92.8	95.8	95.8	101.5	104.7	102.1			136.9
TAPE X50490	500	84.3	83.6	84.3	83.5	83.7	84.9	87.2	88.2	90.9	91.9	95.9	103.1	105.6	100.6			137.2
BAR 29.13 HG	630	85.6	85.2	85.2	83.9	84.9	85.0	87.1	87.1	91.7	93.2	97.4	103.1	105.1	104.8			137.8
(98807, N/M2)	800	85.2	84.9	85.4	85.3	85.5	84.8	86.4	89.6	91.5	94.5	98.2	102.0	102.9	104.9			137.1
YAMB 65, DEG F	1000	88.3	84.9	85.8	84.9	85.3	86.2	88.7	89.8	92.4	95.8	97.7	100.2	101.3	100.4			135.6
(291, DEG K)	1250	84.3	84.7	85.3	85.3	85.7	86.4	89.9	89.9	91.9	95.4	98.8	101.5	99.4	98.4			135.6
TWET 60, DEG F	1600	83.0	84.5	84.6	84.7	86.1	87.2	88.5	90.0	92.1	94.5	98.1	97.9	97.6	96.7			134.1
(289, DEG K)	2000	84.1	83.8	83.0	86.1	87.0	87.3	88.3	89.8	92.2	94.9	96.4	96.5	96.1	95.8			133.3
HACT 0, GM/M3	2500	82.8	83.3	83.4	83.7	84.8	85.4	87.4	89.6	91.7	93.5	94.2	95.1	93.4	93.2			131.7
(, KG/M3)	3150	81.0	81.8	82.7	83.6	84.3	85.0	86.2	88.3	90.5	93.3	93.1	93.5	91.2	90.6			130.6
FREQ. SHIFT	4000	78.8	79.8	80.6	81.7	82.7	83.9	85.7	87.6	89.6	91.8	91.4	90.6	87.9	86.6			129.0
JET 0	5000	78.3	79.6	79.9	80.9	81.6	83.2	85.1	87.4	89.7	91.1	90.5	89.4	85.3	82.7			129.3
DIAMETER RATIO	6300	76.7	79.0	79.2	80.8	81.4	82.9	84.4	86.4	88.8	89.9	88.8	87.2	82.8	79.1			127.2
DF/DM 1.00	8000	75.6	78.1	78.1	79.6	80.6	82.4	83.3	85.8	87.4	88.7	87.5	85.3	81.5	78.2			126.3
10000	74.9	77.6	77.6	78.7	79.9	80.8	82.2	83.2	85.2	87.1	87.3	86.1	82.4	78.9	76.0			125.5
12500	72.4	76.2	76.2	76.7	78.1	79.9	81.2	83.5	85.7	86.3	83.9	81.1	78.0	74.5				124.4
16000	70.1	73.1	73.6	74.2	76.8	77.9	79.5	82.2	83.8	84.4	81.6	78.9	75.6	72.2				122.9
20000	66.5	70.3	70.5	71.3	73.1	74.3	77.1	78.9	81.5	81.8	79.2	76.4	72.7	70.0				120.7
25000	62.5	66.9	67.4	67.3	69.0	70.8	73.4	73.7	77.9	78.5	75.2	73.4	71.4	69.2				117.7
31500	57.9	61.9	62.0	62.7	64.2	67.5	69.6	71.5	72.7	74.1	71.8	71.2	69.2	67.9				114.2
40000	54.3	57.2	57.4	58.0	61.3	62.6	64.5	66.2	67.8	70.6	68.8	69.7	68.6	68.9				111.4
50000	54.2	53.9	53.1	54.4	61.1	62.6	63.7	64.3	62.6	71.3	69.5	73.0	71.1	71.7				113.2
63000	56.1	53.6	53.0	54.9	63.2	64.2	65.2	66.0	62.2	72.9	71.9	75.7	73.9	74.7				117.3
80000	57.5	54.4	53.7	55.4	65.4	66.4	67.6	68.1	63.2	75.0	74.3	78.0	75.3	76.5				122.4
OVERALL MEASURED																		
OVERALL CALCULATED		95.7	95.4	95.7	96.2	97.0	97.7	99.4	101.2	103.6	106.1	108.2	111.3	112.9	112.8			146.9
PND8		106.8	107.1	107.4	108.2	109.0	109.7	111.3	113.3	115.6	117.9	118.9	120.3	120.6	120.5			

524

SPL INPUT AT STD REV, ALPHA 12/73	FREQ	ANGLES FROM INLET IN DEGREES (AND RADIANS)															PWL		
		30	40	50	60	70	80	90	100	110	120	130	140	150	160	0		0	0
NO EGA	50	65.3	65.3	65.9	65.7	66.7	66.6	66.9	67.5	68.6	70.1	71.8	75.0	77.8	82.9				113.2
RDG. NO. 0	65	67.3	67.3	67.6	67.5	68.0	68.1	69.0	69.4	70.6	73.1	75.6	78.6	82.2	90.1				118.4
RADIAL 40 FT	80	69.6	69.9	69.0	69.1	70.0	70.2	71.8	71.6	73.8	75.4	78.5	82.1	84.8	88.9				119.3
(12 M)	100	72.9	71.4	71.9	71.6	71.6	73.6	75.2	75.8	78.5	79.1	81.6	85.3	90.0	91.7				123.1
VEHICLE JENOTS	125	75.4	73.7	73.4	74.2	73.9	76.7	78.4	78.7	80.4	82.4	84.7	88.3	91.8	95.5				125.8
CONFIG JE#057	160	80.6	78.4	77.1	77.1	78.1	79.1	81.8	81.6	84.9	85.6	88.1	91.1	94.3	98.8				129.0
LOC EVENDALE	200	81.0	80.0	77.5	78.0	79.0	79.8	81.5	82.8	85.8	89.0	92.1	96.1	98.0	101.0				132.0
DATE 04-30-75	250	82.8	81.8	80.5	81.8	81.3	81.8	82.8	83.0	84.5	86.5	88.6	91.5	95.0	97.5	100.7	100.4		133.7
RUN DBTF MODEL 5	315	85.8	84.0	82.3	84.0	85.5	86.7	85.5	90.3	92.0	94.5	96.8	98.6	103.2	105.8				136.7
TAPE X50310	400	82.4	80.2	82.0	84.1	85.4	84.4	87.0	88.8	91.3	93.8	93.5	99.0	102.4	100.6				134.9
BAR 29.3 HG	500	83.1	82.8	83.3	83.0	82.4	84.1	86.7	87.2	90.4	91.7	95.4	102.4	104.3	100.1				136.3
(98807 N/H2)	630	83.6	83.7	83.9	82.7	83.9	84.0	86.8	88.4	90.9	91.9	95.9	100.8	103.4	103.1				136.1
TAMB 65 DEG F	800	83.4	83.4	83.6	84.0	84.3	84.3	85.9	88.4	90.8	93.8	96.4	100.3	101.4	101.9				135.3
(291 DEG K)	1000	83.8	82.4	83.8	83.1	83.5	85.4	87.4	88.3	90.9	93.6	95.7	97.4	97.6	96.9				133.0
THET 60 DEG F	1250	82.5	82.4	83.3	83.0	84.2	85.2	88.1	89.4	90.9	93.9	96.8	98.7	95.7	94.9				133.2
(289 DEG K)	1600	81.3	82.7	82.9	83.7	84.6	85.7	87.0	89.0	90.3	92.7	95.8	94.9	93.4	92.7				131.6
HACT 0 GM/M3	2000	82.3	81.8	82.3	84.4	85.0	85.8	86.5	88.6	90.2	91.9	93.9	94.0	91.8	91.8				130.7
(KG/M3)	2500	81.0	82.3	83.4	82.9	83.8	84.9	85.6	89.1	90.5	91.8	92.2	92.1	89.4	88.9				129.7
FREQ SHIFT	3150	79.2	81.8	82.4	83.4	83.5	83.5	85.2	86.8	89.2	91.8	90.6	90.5	88.0	86.8				128.7
JET 0	4000	77.5	80.3	81.3	82.4	82.5	82.9	84.7	87.1	88.9	90.8	89.6	87.6	84.1	82.4				127.7
DIAMETER RATIO	5000	77.6	81.1	81.4	82.4	82.4	83.9	85.6	87.4	89.7	92.1	90.0	87.4	82.8	80.7				128.3
DF/DM 1.00	6300	77.5	81.8	82.2	82.8	83.4	83.9	85.6	87.4	89.8	91.7	90.6	87.7	82.6	79.8				128.6
	8000	77.1	81.6	81.9	82.9	82.6	84.4	85.3	87.0	89.1	90.7	89.0	86.3	82.0	79.7				128.1
	10000	76.2	81.9	82.4	82.4	82.9	84.1	84.9	87.2	89.1	90.3	88.3	84.4	81.4	79.2				128.1
	12500	75.4	81.7	82.5	82.0	83.1	83.9	85.4	86.7	88.9	89.5	86.7	82.6	81.0	78.2				127.8
	16000	73.1	79.1	79.6	79.7	80.8	81.9	83.7	85.5	87.5	86.9	84.3	80.4	78.6	76.2				126.3
259	20000	68.3	75.1	76.3	75.8	76.3	78.0	80.4	82.9	84.8	83.8	81.2	77.2	75.0	72.8				123.6
	25000	65.0	71.7	72.2	72.3	73.0	75.3	77.4	79.4	80.9	80.2	77.7	73.8	72.7	70.7				120.7
	31500	59.6	66.2	66.7	67.4	67.5	70.5	73.6	75.6	76.2	76.9	74.6	70.9	70.7	68.4				117.3
	40000	56.0	60.9	61.9	62.0	63.5	64.6	67.8	69.9	71.3	72.1	70.3	69.9	70.1	68.9				113.6
	50000	54.2	55.9	56.4	57.4	62.1	63.1	64.9	65.6	65.4	70.3	69.5	72.2	72.3	70.9				113.3
	63000	56.1	54.1	53.5	55.2	63.7	64.2	65.2	66.0	62.5	72.1	71.7	75.2	75.4	74.4				117.3
	80000	56.5	54.1	53.4	55.4	65.4	66.0	67.4	68.1	63.7	74.2	75.0	77.5	77.3	75.7				122.5
OVERALL MEASURED																			145.8
OVERALL CALCULATED		94.7	95.2	95.6	96.0	96.7	97.5	99.1	100.9	103.3	105.2	106.8	109.6	111.5	111.7				
PNDB		105.7	107.0	107.9	108.2	108.6	109.3	110.7	112.6	114.9	117.0	117.5	118.5	119.0	119.1				

ORIGINAL PAGE IS OF POOR QUALITY

9
2
9

REV. ALPHA 12/73	FREQ.	ANGLES FROM INLET IN DEGREES (AND RADIANS)																		PWL
		30. (0.52)	40. (0.70)	50. (0.87)	60. (1.05)	70. (1.22)	80. (1.40)	90. (1.57)	100. (1.75)	110. (1.92)	120. (2.09)	130. (2.27)	140. (2.44)	150. (2.62)	160. (2.79)	0. (0.)	0. (0.)	0. (0.)		
NO EGA	50	61.8	63.1	62.9	62.4	61.7	62.6	63.4	64.3	64.6	65.3	66.5	68.5	72.1	72.7				106.8	
RDG. NO. 0.	63	63.3	64.3	64.7	63.5	63.8	64.4	65.8	66.7	66.9	68.6	69.6	71.4	75.2	77.1				109.8	
RADIAL 40. FT.	80	64.9	66.4	66.3	65.6	66.3	66.9	68.3	69.1	70.1	71.1	73.0	75.9	78.8	80.9				113.1	
(12. M)	100	67.4	67.2	67.9	67.4	67.7	70.2	72.5	73.3	74.5	75.4	77.2	80.8	84.3	85.4				117.6	
VEHICLE JENOTS:	125	69.7	68.7	68.7	69.7	69.7	72.2	75.2	75.2	78.2	78.7	80.2	83.9	87.0	89.3				120.7	
CONFIG JE-057	160	73.4	71.2	71.2	72.2	72.7	74.9	77.6	77.4	79.4	81.4	82.4	84.7	88.4	91.1				122.5	
LOC EVENDALE	200	75.5	75.0	73.3	74.5	75.0	76.8	77.5	78.3	79.8	82.5	83.8	86.4	89.2	95.0				124.6	
DATE 04-29-75	250	78.3	77.8	77.8	78.3	78.0	78.5	79.3	81.0	85.8	85.3	86.5	87.3	90.7	93.9				125.8	
RUN DBTF-MODEL 6.	315	81.0	80.0	78.5	80.3	82.0	83.2	81.0	85.5	85.0	85.8	87.5	88.1	91.2	96.0				127.3	
TAPE X60016	400	76.7	74.2	77.1	77.4	79.4	78.7	80.3	81.8	82.6	84.1	82.8	88.8	91.7	91.9				125.2	
BAR 29.9 HG	500	74.6	75.6	77.3	76.0	77.2	78.4	80.0	81.0	82.7	83.7	84.7	90.9	91.3	93.3				125.8	
(01039; N/M2)	630	75.6	77.5	79.0	77.5	79.0	78.5	81.1	82.6	82.7	83.0	84.7	88.8	90.4	94.1				125.6	
TAMB 59, DEG F	800	77.2	78.4	78.4	78.5	79.0	79.0	79.9	82.6	83.0	85.8	87.5	89.8	90.0	92.7				125.9	
(288, DEG K)	1000	77.8	76.9	78.5	78.2	80.0	80.7	81.7	82.8	83.4	86.1	86.5	89.2	89.4	88.4				125.2	
THET 53, DEG F	1250	77.0	76.7	78.6	78.5	79.2	79.7	81.2	82.4	82.9	85.1	86.6	89.7	87.2	85.7				124.7	
(285, DEG K).	1600	76.8	78.2	78.7	78.5	78.8	80.0	81.3	82.2	82.3	84.3	86.3	86.5	84.4	82.5				123.5	
HACT 8.91 GM/M3	2000	78.3	76.8	77.3	79.2	79.5	80.4	80.3	81.6	82.0	83.6	84.9	85.8	83.1	80.8				122.8	
(.00891 KG/M3)	2500	77.0	77.8	78.2	77.2	78.6	79.4	80.2	81.7	82.5	83.6	84.2	84.4	80.9	78.7				122.3	
FREQ. SHIFT	3150	76.0	77.9	78.2	79.2	79.6	80.3	80.7	82.1	82.3	84.3	84.1	84.1	80.0	78.1				122.6	
JET 0	4000	74.9	77.9	78.7	79.0	79.3	80.8	81.6	82.9	83.0	84.6	84.5	82.3	78.5	77.0				122.8	
DIAMETER RATIO	5000	74.5	78.2	78.3	78.6	79.0	80.0	81.3	82.7	83.3	85.0	85.9	83.3	78.7	76.8				123.2	
DF/DM 1.00	6300	73.9	77.3	77.9	78.5	79.8	80.6	81.1	82.8	82.7	83.6	83.3	81.1	78.3	76.5				122.5	
	8000	73.7	77.7	78.2	78.7	79.7	79.8	80.9	83.1	84.2	86.1	84.3	80.7	77.6	76.8				123.5	
	10000	73.4	78.4	79.1	78.7	79.4	79.3	79.4	82.7	83.6	86.6	86.3	79.9	77.6	77.0				124.0	
	12500	71.7	77.3	78.1	77.1	78.5	78.0	78.3	80.9	81.8	84.7	85.3	78.3	76.5	75.4				122.8	
	16000	68.9	74.7	74.7	73.7	75.4	74.7	75.3	77.5	78.3	80.9	81.6	75.4	73.6	72.0				119.8	
	20000	64.2	69.7	70.4	69.7	70.0	70.7	71.5	73.3	75.7	77.9	77.3	71.3	69.6	67.9				116.5	
	25000	61.2	66.4	66.9	66.7	66.2	67.2	68.1	69.1	71.6	73.7	72.1	67.5	66.4	65.1				112.9	
	31500	56.8	61.9	61.9	61.6	61.2	64.0	64.3	65.5	67.1	69.6	67.7	64.1	62.6	61.3				109.3	
	40000	55.0	57.7	57.7	57.3	57.1	62.4	58.3	60.2	62.8	64.9	63.1	60.0	60.2	59.7				105.9	
	50000	53.1	54.3	53.5	54.3	54.5	60.0	54.6	56.7	61.0	64.7	62.2	61.6	61.2	61.3				105.7	
	63000	54.1	54.0	52.9	54.2	55.5	69.2	53.9	56.3	62.5	66.6	63.9	63.6	63.6	63.6				110.9	
	80000	55.0	53.3	53.4	54.6	56.6	63.2	54.8	57.0	63.4	69.2	65.5	66.0	66.0	65.7				114.1	
OVERALL MEASURED																				
OVERALL CALCULATED		89.6	90.6	91.2	91.3	92.2	92.9	93.6	95.4	96.2	97.9	98.6	100.0	100.9	103.5				137.7	
PNDR		101.3	102.7	103.4	103.7	104.4	105.3	106.1	107.7	108.1	109.8	110.3	110.5	109.2	110.6					

261

6c1

ORIGINAL PAGE IS
OF POOR QUALITY

REV. ALPHA 12/73	FREQ.	30, (0.52)	40, (0.70)	50, (0.87)	60, (1.05)	70, (1.22)	80, (1.40)	90, (1.57)	100, (1.75)	110, (1.92)	120, (2.09)	130, (2.27)	140, (2.44)	150, (2.62)	160, (2.79)	0, (0.)	0, (0.)	0, (0.)	PWL
NO EGA	50	83.8	64.1	65.1	65.7	65.0	62.8	65.6	67.3	67.9	68.3	69.8	72.3	75.8	77.5				110.3
RDG, NO. 0	63	66.1	66.3	67.2	67.7	67.5	67.9	69.0	69.2	69.6	71.3	72.8	75.9	79.5	83.1				114.0
RADIAL 40. FT.	80	68.1	68.6	69.3	69.1	69.0	70.4	70.6	71.6	72.6	74.4	76.5	79.6	82.5	85.4				116.8
(12. M)	100	70.4	70.2	71.4	71.2	71.4	73.4	75.0	76.6	77.0	79.2	80.4	84.8	89.0	90.2				121.8
VEHICLE JENOTS	125	72.7	71.7	71.5	73.0	73.2	76.2	78.2	78.5	79.2	81.7	83.5	87.4	91.0	93.8				124.5
CONFIG JE-057	160	76.9	74.4	74.7	75.7	75.7	78.4	80.9	80.4	82.7	84.7	85.2	88.7	91.9	95.1				126.1
LOC EVENDALE	200	77.8	77.5	75.8	77.0	77.5	79.3	79.8	80.8	82.3	85.3	86.6	89.1	92.5	97.3				127.2
DATE 04-29-75	250	80.0	80.0	79.3	80.0	80.0	80.5	80.8	82.8	87.3	86.8	87.8	89.0	92.9	95.9				127.6
RUN DBTF-MODEL 6.	315	82.0	80.3	79.5	81.0	82.5	83.5	82.0	86.0	85.3	86.8	88.3	89.4	93.7	98.0				128.7
TAPE X60030	400	77.4	75.2	78.3	78.9	80.9	80.7	81.6	83.3	84.6	87.1	85.5	91.3	95.0	93.6				127.6
BAR 29.9 HG	500	76.6	78.1	79.3	78.3	80.0	81.1	82.5	84.0	84.9	85.7	87.7	93.4	94.1	96.1				128.4
(01039, N/M2)	630	77.6	79.2	80.5	79.7	80.7	80.8	83.6	84.4	85.4	86.2	87.5	91.6	92.7	95.8				127.9
YAMB 59, DEG F	800	79.2	79.7	79.9	80.5	81.3	81.3	82.7	85.1	85.8	88.5	90.5	91.5	91.2	93.0				127.8
(288, DEG K)	1000	79.8	78.9	80.5	81.2	82.0	83.2	84.2	84.8	85.9	88.3	88.7	91.4	89.9	88.2				127.1
TWET 53, DEG F	1250	79.0	79.4	80.6	80.3	81.5	82.2	83.9	84.9	85.4	87.6	89.3	91.2	88.2	85.2				126.7
(285, DEG K)	1600	78.8	80.7	80.7	81.0	81.8	83.0	84.0	85.5	85.8	87.3	88.1	88.7	85.6	83.5				126.0
HACT 8.91 GM/M3	2000	80.8	80.6	80.8	82.2	82.5	83.6	83.5	85.1	85.7	87.1	87.7	88.0	84.3	82.3				125.8
(.00891 KG/M3)	2500	79.3	81.3	81.7	80.5	82.1	82.9	83.9	85.7	86.8	88.3	87.5	86.7	82.4	80.7				125.9
FREQ. SHIFT	3150	79.3	81.9	82.2	82.7	84.1	84.6	85.0	86.1	87.3	89.3	87.6	85.8	82.8	81.1				126.6
JET 0	4000	79.1	83.4	83.7	84.5	85.3	86.5	87.1	88.7	89.3	90.9	87.8	85.3	82.0	81.0				128.2
DIAMETER RATIO	5000	80.5	85.0	84.8	85.3	86.5	87.8	88.5	89.5	91.0	93.2	89.2	86.1	83.0	82.1				129.8
DF/DH 1.00	6300	81.7	88.8	87.9	87.5	88.1	88.4	88.8	90.1	90.5	93.4	90.3	86.1	85.3	83.5				130.7
	8000	78.9	83.5	84.5	85.4	86.2	87.8	88.4	91.1	91.7	92.8	88.6	84.9	82.6	82.3				130.2
	10000	78.7	82.9	84.6	85.7	86.1	86.8	87.7	90.5	92.6	92.6	87.8	84.2	81.9	81.5				130.4
	12500	79.0	83.8	84.1	84.8	85.2	86.0	87.3	89.9	91.3	93.2	86.8	83.0	81.7	80.9				130.2
	16000	77.9	82.9	83.2	82.5	83.9	84.4	85.8	88.3	90.5	91.7	86.1	82.1	81.9	80.7				129.4
	20000	76.7	83.0	82.2	81.7	81.0	80.9	82.3	85.3	87.7	88.4	83.6	80.1	80.6	80.2				127.2
	25000	73.4	80.9	80.4	79.5	79.0	79.0	79.6	81.6	83.9	84.2	79.4	77.0	78.6	78.6				124.4
	31500	68.5	75.6	76.1	75.6	73.7	74.7	75.8	78.0	78.9	80.3	75.7	72.8	74.1	72.5				120.7
	40000	63.3	78.2	71.0	70.3	68.8	69.9	70.6	73.0	74.3	74.4	69.8	67.3	67.7	66.7				116.2
	50000	59.3	65.0	66.3	66.1	64.7	65.0	66.6	69.0	70.3	71.4	66.4	64.4	64.5	64.1				113.4
	63000	56.3	61.0	63.4	64.2	64.2	63.5	64.9	67.8	66.5	69.6	65.2	64.6	64.1	64.1				113.5
	80000	55.7	55.3	61.9	63.4	65.1	68.2	65.1	67.8	64.7	70.7	66.0	66.5	65.2	65.4				117.2
OVERALL MEASURED																			
OVERALL CALCULATED		92.8	95.8	96.0	96.3	97.0	97.9	98.7	100.6	101.8	103.3	101.5	102.5	103.6	105.8				142.0
PNDP		104.7	108.7	108.6	108.7	109.4	110.3	111.1	112.5	113.6	115.5	113.5	112.9	112.1	113.1				

262

602

		ANGLES FROM INLET IN DEGREES (AND RADIANS)																	
		30.	40.	50.	60.	70.	80.	90.	100.	110.	120.	130.	140.	150.	160.	0.	0.	0.	PWL
		(0.52)	(0.70)	(0.87)	(1.05)	(1.22)	(1.40)	(1.57)	(1.75)	(1.92)	(2.09)	(2.27)	(2.44)	(2.62)	(2.79)	(0.)	(0.)	(0.)	
REV. ALPHA 12/73	FREQ	50	66.3	66.8	67.4	67.2	68.2	68.3	68.9	70.5	70.6	72.3	73.8	76.5	80.3	81.2			114.1
	NO EGA	63	89.3	69.8	69.7	69.5	69.8	70.7	71.8	72.9	74.6	76.8	80.1	83.7	86.1				117.5
RDG. NO.	0.	80	72.1	71.9	72.5	71.6	72.0	72.9	74.3	75.3	75.8	77.6	80.5	83.9	87.0	88.6			120.6
RADIAL	40. FT.	100	74.7	73.4	74.4	74.2	74.4	76.7	78.5	79.8	80.2	81.9	84.4	88.5	92.0	93.7			125.2
	(12. M)	125	76.5	75.2	75.0	76.5	76.0	78.5	81.4	81.7	83.0	85.7	87.5	90.9	94.5	96.0			127.7
VEHICLE	JENOTS	160	80.7	78.2	77.9	78.4	79.4	81.7	84.1	84.4	86.4	88.4	89.4	92.4	95.4	98.1			129.5
CONFIG	JE-057	200	80.5	80.3	79.0	79.8	80.3	82.3	83.0	84.8	86.5	89.3	90.3	92.9	96.5	100.3			130.7
LOC	EVENDALE	250	82.5	82.5	82.0	82.0	82.5	83.3	83.8	85.5	90.3	89.5	92.0	93.3	96.9	99.4			131.2
DATE	04-29-75	315	83.5	82.0	82.0	83.5	84.5	85.2	84.0	88.3	87.8	89.8	92.0	93.1	97.4	101.0			131.8
RUN	DBTF-MODEL 8	400	80.4	78.5	80.3	81.4	83.2	83.7	85.1	86.6	88.1	90.3	89.8	95.5	98.5	96.4			131.1
TAPE	X60050	500	80.3	81.3	83.3	82.0	83.5	84.6	86.7	87.7	89.4	90.4	92.0	97.9	98.1	97.8			132.2
BAR	29.9 HG	630	81.1	83.0	83.5	82.5	84.2	84.8	86.9	88.4	89.4	90.2	92.2	96.3	96.7	98.1			131.7
	(01039, N/M2)	800	82.0	82.9	83.6	84.3	85.3	85.3	86.4	89.4	90.3	93.0	95.5	96.3	95.0	95.2			132.0
TAMB	59. DEG F	1000	83.1	82.1	84.0	84.2	85.0	86.7	87.9	89.1	90.1	93.3	94.0	95.2	93.1	91.2			131.2
	(288. DEG K)	1250	82.0	82.9	84.1	84.3	84.7	86.4	87.4	89.2	89.7	92.4	94.1	95.7	91.7	88.7			130.9
TWET	53. DEG F	1600	81.8	83.7	84.4	84.7	85.3	87.5	88.3	89.2	90.1	92.0	93.6	93.2	89.9	87.2			130.4
	(285. DEG K)	2000	83.8	83.8	83.8	85.7	86.7	87.6	88.0	89.3	90.5	92.4	92.9	92.5	89.4	86.5			130.4
HACT	8.91 GM/M3	2500	82.8	85.1	85.5	85.0	86.1	87.7	88.2	90.2	92.3	93.8	91.3	91.4	87.2	86.0			130.6
	(.00891 KG/M3)	3150	82.3	85.4	85.8	86.5	87.3	88.3	89.5	90.4	92.3	95.1	91.4	90.9	87.8	85.9			131.3
FREQ. SHIFT	4000	82.2	85.7	86.5	87.3	88.6	89.6	90.6	92.2	93.8	95.9	91.0	89.8	87.3	85.5			132.2	
JET	0	5000	83.8	87.8	88.1	88.9	90.5	91.6	92.5	94.0	95.6	97.5	91.7	90.1	87.5	86.6			133.8
DIAMETER RATIO	6300	86.5	92.6	93.8	93.9	93.9	94.5	94.4	95.4	97.3	98.2	92.9	91.7	90.6	89.3			136.1	
DF/DM	1.00	8000	84.0	88.1	89.3	90.5	92.3	92.9	93.8	96.2	97.3	98.9	92.4	89.8	86.7	85.9			135.6
	10000	84.6	89.8	90.0	90.8	91.8	92.9	93.8	96.4	97.5	98.5	92.5	89.0	87.5	86.6			135.9	
	12500	84.7	91.2	91.6	91.0	92.2	92.9	94.0	95.8	97.0	97.1	92.0	89.0	87.9	87.6			135.9	
	16000	82.8	89.9	90.9	89.2	90.1	91.6	93.0	95.5	96.2	95.1	90.0	87.3	86.8	85.9			135.2	
	20000	79.4	85.4	86.6	86.7	87.2	88.7	91.0	93.3	94.7	93.4	88.6	85.3	83.4	81.4			133.4	
	25000	77.4	84.1	84.6	84.2	84.7	86.2	88.3	90.4	91.6	90.7	85.9	82.8	81.6	79.1			131.2	
	31500	73.8	80.1	81.1	81.3	81.1	84.4	85.7	86.7	86.3	86.8	82.4	79.3	78.1	74.5			128.1	
	40000	70.4	76.1	77.4	78.2	78.0	79.1	81.3	82.9	83.3	82.3	77.8	74.4	73.6	71.4			124.9	
	50000	66.2	71.9	73.4	74.0	74.1	76.7	77.4	79.9	79.6	79.6	75.1	72.3	72.1	71.5			122.7	
	63000	64.2	68.1	69.0	69.5	69.8	74.5	73.0	77.3	77.0	79.2	74.7	72.2	72.9	73.2			122.5	
	80000	62.0	64.4	64.2	64.0	65.7	74.5	68.6	77.3	74.7	79.7	75.8	73.8	74.5	75.0			125.2	
OVERALL MEASURED																			
OVERALL CALCULATED		96.4	100.0	100.8	101.0	101.9	102.9	103.9	105.7	107.0	108.2	105.8	106.9	107.5	108.7				146.8
PNDR		108.6	112.3	113.1	113.5	114.1	115.0	115.5	116.9	118.5	120.1	117.3	117.6	116.4	116.5				

263

603

ORIGINAL PAGE IS
 OF POOR QUALITY

REV. ALPHA 12/73	FREQ	ANGLES FROM INLET IN DEGREES (AND RADIAN)															PWL		
		30.	40.	50.	60.	70.	80.	90.	100.	110.	120.	130.	140.	150.	160.	0.		0.	0.
NO EGA	50	66.3	57.3	55.9	55.7	55.5	55.6	57.9	68.3	67.9	67.8	70.3	72.3	74.1	76.5				109.1
RDG. NO. 0	63	67.3	58.1	57.4	57.0	56.3	56.9	58.8	69.4	68.9	70.3	73.1	74.6	77.5	83.6				113.0
RADIAL 40. FT.	80	68.4	58.9	58.0	57.4	57.0	58.7	60.1	71.6	71.1	72.1	75.5	78.9	81.0	84.9				115.4
(12. M)	100	69.9	59.7	59.7	59.2	58.9	60.9	63.2	75.1	75.5	76.4	79.2	83.0	86.3	88.7				119.5
VEHICLE JENOTS	125	72.0	61.2	60.5	61.5	60.7	63.7	66.7	76.7	77.7	80.2	82.2	86.1	88.8	93.3				123.0
CONFIG JE-057	160	76.2	64.2	63.2	63.7	64.2	65.9	68.6	79.4	80.9	82.4	83.7	86.7	90.1	95.9				125.0
LOC EVENDALE	200	76.3	66.5	64.0	65.0	64.8	67.0	68.0	79.5	81.0	83.3	85.1	88.6	91.5	97.0				126.2
DATE 04-29-75	250	80.5	70.0	67.8	69.3	68.8	69.5	70.0	82.0	87.5	86.8	89.0	90.8	94.2	96.4				128.0
RUN DBTF-MODEL 6	315	83.3	71.3	69.5	71.3	72.5	74.7	72.5	86.8	86.8	88.8	90.0	90.6	94.7	99.3				129.5
TAPE X60060	400	79.7	68.2	68.3	69.9	72.2	71.5	72.8	85.1	86.6	88.8	87.5	93.0	95.7	95.1				128.6
BAR 29.9 HG	500	75.3	66.1	67.6	67.0	67.5	68.6	70.7	82.0	83.4	84.7	86.5	93.4	94.3	94.6				127.5
(01039, N/M2)	630	76.6	68.2	68.7	67.7	69.0	68.5	70.9	82.1	83.9	84.7	87.5	92.1	93.4	96.6				127.6
TAMB 59, DEG F	800	77.0	67.9	68.6	69.0	69.0	69.3	70.4	83.1	83.8	87.0	89.5	92.0	91.7	93.2				126.8
(288, DEG K)	1000	78.3	67.4	68.3	68.2	69.3	70.9	72.2	83.1	84.1	86.8	87.7	90.7	90.1	88.7				125.4
THET 53, DEG F	1250	76.7	67.7	68.4	69.8	69.7	69.9	71.4	83.2	83.7	86.1	87.8	91.5	88.2	85.7				125.0
(285, DEG K)	1600	76.5	68.2	68.7	69.5	69.6	70.7	72.0	82.7	83.3	85.3	86.8	88.5	85.4	83.0				123.4
HACT 8.91 GM/M3	2000	77.8	67.1	67.8	69.9	70.0	70.6	71.0	81.8	82.7	84.1	86.2	87.5	83.3	81.5				122.5
(.00891 KG/M3)	2500	77.3	67.8	68.0	68.2	68.3	69.7	70.9	82.4	83.0	85.1	85.0	85.4	80.4	79.0				121.8
FREQ. SHIFT	3150	75.8	68.1	68.5	69.9	69.6	70.6	71.7	83.1	83.0	85.3	84.6	84.1	79.8	78.6				121.8
JET 0	4000	74.6	67.9	68.7	69.8	70.8	71.8	72.8	84.4	84.0	85.9	84.5	82.5	78.3	77.2				122.1
DIAMETER RATIO	5000	74.2	68.2	68.6	68.8	70.2	71.0	72.5	84.2	84.5	87.0	85.9	83.3	78.2	76.8				122.8
DF/DM 1.00	6300	73.4	68.0	67.9	69.3	69.6	70.9	71.3	83.1	83.5	84.4	84.1	81.6	77.3	76.0				121.4
	8000	72.2	66.7	67.5	68.2	68.2	69.0	69.4	81.6	83.4	84.6	81.3	79.2	76.3	75.6				120.6
	10000	70.9	67.9	68.6	68.4	68.6	68.8	68.4	80.7	82.1	85.6	82.1	78.7	75.9	75.7				120.9
	12500	70.0	67.5	67.9	68.1	67.2	66.7	67.3	79.9	80.8	82.9	80.8	76.5	75.0	75.4				119.6
	16000	67.9	64.7	64.9	63.7	64.6	63.9	65.0	77.5	79.3	80.7	79.3	74.6	73.4	72.5				118.0
	20000	62.9	60.2	60.7	60.0	60.0	59.4	61.5	74.1	75.9	77.7	75.1	70.3	68.9	68.4				114.9
	25000	60.2	56.6	57.4	57.0	56.5	57.0	58.4	71.1	72.6	74.2	71.6	67.0	66.6	68.4				112.2
	31500	56.0	52.9	53.4	53.1	51.9	53.7	55.0	67.7	69.1	70.8	68.5	64.6	63.4	66.8				109.5
	40000	54.3	49.7	50.2	50.3	48.8	49.4	51.1	64.0	65.3	66.9	64.6	61.5	60.7	67.7				106.9
	50000	52.1	46.0	46.8	47.1	46.2	50.3	47.8	63.0	63.3	66.2	63.7	63.1	61.7	70.8				107.8
	63000	51.8	45.0	44.4	45.9	46.0	55.7	45.4	64.5	63.0	67.6	64.7	64.9	64.1	73.4				111.4
	80000	52.5	43.8	43.6	45.1	47.1	44.7	45.8	66.3	64.4	69.4	66.2	66.5	65.2	74.4				115.8
OVERALL MEASURED																			
OVERALL CALCULATED		90.4	81.2	81.3	82.1	82.6	83.4	84.3	96.1	97.2	99.0	99.7	102.3	103.5	106.0				138.6
PNDR		101.6	93.1	93.4	94.4	95.0	95.9	97.0	108.6	109.1	111.0	110.9	111.8	111.3	112.7				

☆ ☆ ☆ ☆ ☆ ☆

☆ 10 dB TOO LOW

ANGLES FROM INLET IN DEGREES (AND RADIANS)

REV, ALPHA 12/73	FREQ.	30.	40.	50.	60.	70.	80.	90.	100.	110.	120.	130.	140.	150.	160.	0.	0.	0.	PHL
		(0.52)	(0.70)	(0.87)	(1.05)	(1.22)	(1.40)	(1.57)	(1.75)	(1.92)	(2.09)	(2.27)	(2.44)	(2.62)	(2.79)	(0.)	(0.)	(0.)	
NO EGA	50	63.6	54.3	55.1	55.7	56.5	56.6	56.9	67.8	68.1	69.3	71.8	75.0	78.6	79.2				111.4
RDG. NO. 0.	63	66.8	57.1	57.4	57.7	57.8	58.7	59.5	70.4	71.1	73.1	74.8	78.1	81.5	83.1				114.7
RADIAL 40. FT.	80	69.9	60.6	60.3	60.1	60.3	60.9	62.3	72.8	74.3	75.9	79.0	82.4	85.3	87.6				118.7
(12. M)	100	72.9	62.2	62.7	62.7	63.2	64.7	67.0	78.3	79.0	80.7	82.4	87.3	90.8	91.9				123.4
VEHICLE JENOTS:	125	75.7	64.2	64.0	65.5	65.0	67.2	69.7	79.7	81.0	83.7	85.7	90.4	92.8	94.5				125.9
CONFIG JE-057	160	80.4	67.7	66.7	67.7	67.7	69.7	72.4	82.4	84.4	86.4	87.7	91.2	93.9	96.4				127.6
LOC EVENDALE	200	80.0	69.3	66.8	68.5	69.0	70.0	71.8	82.3	84.3	86.8	88.6	92.6	95.5	98.3				129.0
DATE 04-29-75	250	82.5	72.0	70.5	71.5	71.0	71.8	73.0	84.3	90.3	89.3	91.5	94.0	97.4	99.1				130.9
RUN DBTF-MODEL 6	315	83.5	71.5	70.5	72.0	73.8	75.0	73.5	87.8	87.5	89.8	91.5	93.4	97.4	101.5				131.6
TAPE X60086	400	80.4	67.0	69.8	70.4	71.9	72.5	74.1	85.8	88.1	90.1	89.3	95.5	98.2	97.9				130.8
BAR 29.9 HG	500	78.1	69.6	70.8	70.0	71.0	71.9	74.2	86.0	87.2	88.7	90.7	96.9	97.3	96.6				130.7
(01039, N/M2)	630	78.6	70.5	71.0	70.0	71.5	71.5	74.1	86.1	87.7	88.2	90.7	94.8	95.9	98.1				130.1
TAMB 59. DEG F	800	79.7	70.4	70.9	71.5	72.5	72.8	74.4	86.9	87.8	91.3	93.0	95.0	93.7	95.0				129.8
(288, DEG K)	1000	80.3	69.6	70.8	71.9	72.5	73.7	75.4	86.1	87.1	90.1	91.2	93.7	91.6	89.7				128.1
TWET 53. DEG F	1250	80.2	70.2	71.1	72.5	72.5	73.4	75.2	86.4	86.4	89.6	91.3	94.2	89.9	86.9				127.9
(285, DEG K)	1600	79.5	71.2	71.9	72.7	72.8	74.5	75.3	86.7	87.1	88.5	90.1	91.0	87.6	84.7				126.5
HACT 8.91 GM/M3	2000	81.1	71.3	71.3	73.7	74.2	74.9	75.0	86.6	87.0	88.6	89.4	89.5	85.8	84.0				125.9
(.00891 KG/M3)	2500	80.5	72.3	72.5	72.7	73.3	74.4	75.7	87.2	88.0	89.6	88.5	88.7	83.9	82.2				126.0
FREQ. SHIFT	3150	80.0	72.4	73.0	74.2	74.8	75.6	76.2	88.4	88.8	91.3	88.4	87.6	83.5	82.6				126.8
JET 0	4000	79.6	73.9	74.2	75.3	76.1	77.8	78.1	89.7	90.3	91.9	88.3	86.3	83.0	82.0				127.5
DIAHETER RATIO	5000	80.7	75.5	75.8	76.8	77.7	79.0	80.3	91.2	92.8	95.2	89.7	87.8	84.7	83.6				129.9
DF/DM 1.00	6300	83.4	79.3	80.2	80.5	80.3	81.1	80.6	91.6	93.0	96.1	90.6	88.6	86.8	86.0				130.9
	8000	79.7	74.0	74.5	76.4	78.2	78.8	79.4	91.9	93.2	94.8	89.8	86.4	82.8	82.6				130.3
	10000	79.7	73.6	74.9	76.7	77.1	77.8	78.2	91.2	94.3	94.6	89.1	84.9	83.1	82.5				130.6
	12500	80.2	75.3	75.6	76.4	77.5	78.0	78.8	92.1	93.8	93.9	88.1	85.0	83.5	84.4				130.7
	16000	79.6	75.2	75.9	75.5	76.1	76.7	78.3	90.8	93.3	93.4	87.3	84.4	84.4	85.2				130.5
	20000	80.9	77.2	78.2	77.0	75.2	74.4	75.5	88.3	90.7	90.9	85.6	84.1	86.1	85.9				128.9
	25000	75.4	72.9	74.1	73.2	71.5	71.0	71.6	84.9	86.9	87.4	81.9	79.3	80.6	80.6				125.6
	31500	69.5	66.6	66.6	67.1	65.7	67.2	68.3	80.5	82.4	83.1	77.0	73.8	74.4	73.5				121.5
	40000	66.8	63.0	64.2	63.8	62.3	62.4	63.8	76.5	77.8	77.6	72.3	69.3	70.2	71.5				117.7
	50000	62.6	59.5	60.0	60.3	58.7	59.8	60.8	73.7	73.8	74.4	69.2	67.6	66.7	71.3				115.5
	63000	59.6	56.0	56.2	56.9	56.7	56.5	58.2	71.3	70.5	72.4	67.2	67.1	65.6	73.4				115.4
	80000	56.5	53.8	52.6	53.9	55.4	59.2	57.1	68.8	66.9	71.4	66.5	68.0	65.7	74.7				117.4
OVERALL MEASURED																			
OVERALL CALCULATED		94.2	87.0	87.6	88.2	88.6	89.4	90.2	102.2	103.0	105.3	103.5	105.6	106.5	108.0				143.2
PNDR		106.1	99.3	100.0	100.7	101.0	102.0	102.6	114.0	115.4	117.5	114.8	115.3	114.6	115.4				

☆ ☆ ☆ ☆ ☆ ☆

☆ 10 dB TOO LOW

ORIGINAL PAGE IS
OF POOR QUALITY

605

		ANGLES FROM INLET IN DEGREES (AND RADIANS)																		PWL
		30.	40.	50.	60.	70.	80.	90.	100.	110.	120.	130.	140.	150.	160.	0.	0.	0.		
REV, ALPHA 12/73	FREQ	(0.52)	(0.70)	(0.87)	(1.05)	(1.22)	(1.40)	(1.57)	(1.75)	(1.92)	(2.09)	(2.27)	(2.44)	(2.62)	(2.79)	(0.)	(0.)	(0.)		
	50	67.1	67.6	68.1	68.2	69.0	69.1	69.9	71.0	71.4	73.3	76.0	79.0	82.6	83.0				115.8	
NO EGA	63	70.3	70.8	70.9	70.7	71.3	71.4	72.5	73.7	74.6	76.3	79.1	82.1	85.7	87.6				119.2	
RDG, NO, 0.	80	73.6	73.9	73.8	73.1	73.5	74.4	76.1	76.8	78.1	80.1	83.2	86.4	89.3	91.4				122.9	
RADIAL 40, FT.	100	76.7	75.9	76.4	75.9	76.4	78.2	80.2	81.6	82.2	84.4	86.7	91.0	94.8	95.9				127.6	
(12. H)	125	79.2	78.0	77.7	78.5	78.2	80.7	83.4	83.5	84.7	87.7	90.0	93.6	97.0	98.5				130.1	
VEHICLE JENOTS	160	84.2	81.2	80.7	81.4	81.7	83.4	86.4	86.4	88.4	90.2	91.4	94.4	98.1	100.1				131.7	
CONFIG JE-057	200	84.0	82.3	81.0	82.3	82.5	83.8	84.8	86.0	88.0	90.8	92.8	96.4	99.5	102.3				133.2	
LOC EVENDALE	250	86.0	85.5	84.3	84.3	84.3	85.0	85.5	86.8	92.0	92.0	94.5	97.8	101.2	101.9				134.3	
DATE 04-29-75	315	86.0	84.5	83.5	84.8	86.3	87.2	86.0	89.8	90.0	92.3	95.3	97.4	101.7	104.3				135.2	
RUN DBTF-MODEL 6	400	82.7	80.7	84.6	83.2	85.7	85.5	86.8	88.6	90.6	93.8	93.0	99.3	102.7	100.6				134.8	
TAPE X60100	500	82.1	83.8	85.3	84.0	85.5	86.1	88.2	89.7	91.2	92.7	94.7	100.1	101.1	99.6				134.5	
BAR 29.9 HG	630	82.8	84.7	85.2	84.2	85.7	86.0	88.6	89.9	91.9	92.7	95.7	99.3	100.2	100.1				134.4	
(01039, N/M2)	800	83.7	84.7	85.1	85.8	87.3	86.8	88.7	91.4	92.0	95.3	97.7	98.3	97.7	97.2				134.1	
TAMD 59, DEG F	1000	84.6	83.6	85.3	85.7	87.0	87.7	89.4	90.1	91.9	95.3	96.7	97.9	95.4	92.9				133.3	
(288, DEG K)	1250	84.5	84.7	85.4	85.5	87.0	87.9	89.7	91.2	91.9	94.6	96.6	98.0	93.4	90.7				133.1	
TWET 53, DEG F	1600	83.0	85.5	86.2	86.2	86.8	88.2	90.0	91.2	91.8	94.5	95.3	95.0	92.1	88.7				132.2	
(285, DEG K)	2000	85.1	84.8	85.0	87.2	88.2	88.9	89.5	91.3	91.7	94.1	94.7	94.5	90.8	89.0				132.0	
HACT 8.91 GM/M3	2500	84.3	86.0	86.5	86.2	87.3	88.9	89.9	91.4	93.5	94.6	93.5	93.7	89.7	87.7				132.0	
(.00891 KG/M3)	3150	83.5	86.4	86.7	87.9	88.8	89.8	90.5	92.4	94.3	95.8	92.6	92.6	88.8	87.1				132.6	
FREQ, SHIFT	4000	83.4	86.4	87.2	88.0	89.8	91.0	91.6	93.7	95.8	96.9	92.5	91.3	89.0	86.7				133.5	
JET 0	5000	84.2	87.5	88.6	90.1	91.2	92.5	93.8	95.2	98.0	98.0	92.7	91.3	89.0	87.3				135.0	
DIAMETER RATIO	6300	85.7	90.3	91.7	92.5	94.3	94.6	94.6	96.1	98.7	98.6	92.8	91.4	89.5	87.8				136.3	
DF/DH 1.00	8000	85.2	89.0	89.5	91.4	93.4	94.3	94.9	97.1	98.9	98.6	93.1	90.7	87.8	86.8				136.5	
	10000	85.7	90.4	90.9	91.7	93.1	93.5	94.7	98.0	99.8	98.3	92.8	90.4	88.9	88.2				137.1	
	12500	85.2	90.8	91.1	90.8	92.5	93.2	94.8	97.4	98.8	97.4	91.8	89.5	87.7	85.9				136.7	
	16000	82.1	87.7	88.7	89.2	91.1	92.4	94.3	96.3	97.8	95.9	90.1	87.1	85.6	83.0				135.9	
	20000	79.9	85.0	85.4	86.7	88.2	90.2	92.5	95.1	95.9	93.9	89.1	85.3	83.4	80.9				134.5	
	25000	79.2	84.6	85.4	86.0	86.5	88.5	90.1	92.4	93.6	91.9	87.1	84.3	81.9	78.9				132.9	
	31500	74.8	80.1	81.4	83.4	83.2	85.5	87.5	89.0	89.6	88.1	84.5	81.3	79.1	75.3				130.1	
	40000	72.5	77.2	78.5	80.3	80.3	81.9	83.8	85.0	85.8	83.9	78.8	76.5	75.2	73.0				127.0	
	50000	69.3	73.5	75.3	76.3	77.0	78.8	79.8	82.5	82.3	81.4	76.4	74.6	73.7	72.1				125.0	
	63000	66.6	69.5	71.4	73.2	72.7	74.7	75.4	79.8	79.5	79.6	75.4	74.4	74.1	73.9				124.2	
	80000	65.2	65.6	65.9	67.9	68.4	69.2	70.6	77.8	76.4	79.9	76.0	75.7	75.2	74.9				125.6	
OVERALL MEASURED																				
OVERALL CALCULATED		97.9	100.2	100.9	101.6	103.0	103.9	105.1	107.2	108.9	109.1	107.7	109.4	110.6	111.1				148.4	
PND8		109.4	112.0	112.9	113.7	115.1	115.8	116.5	118.2	120.3	121.1	118.9	119.6	119.1	118.8					

265

666

REV. ALPHA 12/73	FREQ.	ANGLES FROM INLET IN DEGREES (AND RADIANS)																PHL	
		30. (0.52)	40. (0.70)	50. (0.87)	60. (1.05)	70. (1.22)	80. (1.40)	90. (1.57)	100. (1.75)	110. (1.92)	120. (2.09)	130. (2.27)	140. (2.44)	150. (2.62)	160. (2.79)	0. (0.)	0. (0.)		0. (0.)
NO EGA	50	82.3	52.6	53.1	53.7	54.2	54.6	54.9	65.8	66.1	67.6	69.8	73.3	76.8	77.5				109.7
RDG. NO. 0.	63	85.1	55.3	55.7	56.2	56.3	56.9	57.3	68.2	68.6	71.1	73.1	76.9	80.0	83.6				113.8
RADIAL 40. FT.	80	67.6	57.9	58.0	57.9	57.8	58.2	59.6	71.1	71.6	73.9	80.4	83.5	85.6					116.7
(12. M)	100	71.2	60.2	60.7	60.4	60.7	62.2	64.5	75.6	76.5	77.9	80.7	85.0	88.5	90.2				121.3
VEHICLE JENOTS	125	74.2	62.7	62.0	63.2	63.0	65.5	67.9	78.0	79.0	81.5	83.7	87.9	91.0	93.8				124.3
CONFIG JE-057	160	78.9	66.4	65.7	65.9	66.2	67.9	70.6	80.9	82.7	84.2	85.9	89.2	92.4	95.9				126.2
LOC EVENDALE	200	79.5	69.0	66.5	67.0	67.5	69.0	70.0	81.3	82.5	85.5	88.3	92.4	95.2	99.5				129.2
DATE 04-29-75	250	82.5	72.0	70.3	71.3	70.8	71.5	72.0	84.5	89.8	90.0	92.5	94.8	98.2	99.9				131.5
RUN DBTF-MODEL 6	315	85.0	72.8	71.3	72.8	74.5	75.7	74.0	88.5	89.5	91.0	93.3	95.1	99.2	102.8				133.1
TAPE X60116	400	81.7	68.2	73.3	73.2	74.7	74.2	76.1	88.3	89.6	92.8	91.8	97.0	99.5	98.6				132.4
BAR 29.9 HG	500	78.6	69.3	70.3	69.5	69.7	71.4	73.0	84.2	85.9	88.2	90.2	97.6	99.3	97.6				131.5
(01039, N/M2)	630	79.6	70.5	71.0	69.7	71.0	70.5	73.4	85.1	86.9	88.2	91.2	96.3	97.9	100.1				131.4
TAMB 59. DEG F	800	79.2	70.4	69.9	71.0	71.5	71.3	72.9	85.9	86.5	90.3	93.0	95.8	95.5	97.2				130.4
(288, DEG K)	1000	80.3	69.4	70.0	70.2	71.0	72.7	74.4	85.3	86.6	90.1	91.7	94.4	92.6	92.2				128.6
TWET 53. DEG F	1250	78.2	69.2	69.6	70.8	71.7	72.4	73.7	85.4	86.4	89.1	92.3	95.2	90.9	88.2				128.4
(285, DEG K)	1600	78.0	69.7	70.4	70.7	71.6	72.5	74.0	85.5	86.1	88.5	90.8	92.2	88.6	85.7				126.7
HACT 8.91 GM/M3	2000	79.6	68.8	69.0	71.4	72.0	72.4	73.3	84.8	86.0	87.4	89.4	90.3	86.1	84.3				125.4
(.00891 KG/M3)	2500	77.8	69.0	69.7	69.2	70.1	71.7	72.2	84.7	86.0	87.6	87.5	88.4	83.2	81.7				124.4
FREQ. SHIFT	3150	77.3	69.9	70.2	70.7	71.6	72.1	73.2	85.1	85.8	88.1	87.4	86.3	82.5	80.4				124.2
JET 0	4000	76.4	70.1	70.7	71.0	71.8	73.8	74.8	86.4	85.8	87.9	86.3	84.0	80.0	79.5				124.0
DIAMETER RATIO	5000	76.0	70.0	70.3	71.3	71.5	73.5	75.0	86.7	86.8	89.2	87.2	84.6	80.0	79.1				124.9
DF/DH 1.00	6300	75.2	69.8	69.4	71.5	71.8	72.6	73.6	85.8	86.2	87.6	86.8	83.9	79.8	77.8				124.1
	8000	73.7	68.7	69.2	69.7	70.4	71.5	71.9	84.4	85.7	86.6	84.1	81.2	78.3	77.6				122.9
	10000	73.4	69.1	70.4	70.2	70.1	70.5	70.9	84.2	85.1	88.3	82.6	79.4	77.9	77.7				123.4
	12500	72.2	68.8	69.9	69.6	69.0	69.2	70.0	82.1	83.6	86.7	81.3	78.5	77.0	77.4				122.2
	16000	69.9	67.4	67.4	66.2	66.6	66.9	67.8	80.8	82.5	83.7	79.8	76.4	74.9	74.5				120.6
	20000	65.4	63.7	63.2	63.0	62.5	62.7	64.3	77.1	79.2	80.2	77.1	72.3	71.6	71.4				117.6
	25000	61.9	58.9	59.1	59.2	58.0	59.0	60.9	74.1	75.6	77.2	73.4	69.3	69.6	69.9				114.9
	31500	58.0	54.9	54.4	54.6	52.9	55.0	57.3	70.0	71.4	73.8	70.2	66.1	67.9	67.8				111.9
	40000	55.5	51.2	51.0	50.5	49.6	50.4	52.3	66.2	67.6	68.9	66.1	62.0	67.0	68.7				109.0
	50000	53.6	47.8	47.0	47.6	46.5	46.3	48.8	63.7	64.0	64.9	63.7	61.4	68.7	70.8				108.5
	63000	52.8	44.8	44.4	45.9	46.2	44.2	45.9	64.5	63.2	64.4	62.6	62.6	72.1	73.6				111.9
	80000	52.5	44.1	43.4	44.6	46.6	47.7	45.6	65.8	63.9	64.4	65.5	64.2	73.5	75.4				116.3
OVERALL MEASURED																			
OVERALL CALCULATED		92.4	83.1	83.4	83.8	84.5	85.4	86.5	98.6	99.8	102.0	103.0	106.0	107.4	108.9				141.8
PNDR		103.2	95.0	95.4	95.9	96.6	97.9	99.0	110.9	111.4	113.6	113.7	114.8	114.7	115.6				

☆ ☆ ☆ ☆ ☆ ☆

☆ 10 dB TOO LOW

ORIGINAL PAGE IS QUALITY

267

607

ANGLES FROM INLET IN DEGREES (AND RADIANS)

REV. ALPHA 12/73	FREQ.	30. (0.52)	40. (0.70)	50. (0.87)	60. (1.05)	70. (1.22)	80. (1.40)	90. (1.57)	100. (1.75)	110. (1.92)	120. (2.09)	130. (2.27)	140. (2.44)	150. (2.62)	160. (2.79)	0. (0.0)	0. (0.0)	0. (0.0)	PWL
	50	65.3	56.1	56.9	56.9	57.7	58.3	58.1	69.8	70.4	71.8	73.8	77.3	80.8	81.5				113.7
NO EGA	63	69.1	59.3	59.4	60.2	60.0	60.9	62.3	72.4	72.4	74.6	77.3	80.6	84.2	87.1				117.6
RDG. NO. 0	80	71.4	61.9	61.8	61.6	61.5	62.4	63.6	74.6	75.6	77.9	81.2	84.9	87.3	89.4				120.7
RADIAL 40. FT.	100	74.9	63.9	64.2	64.4	64.4	66.4	68.5	79.8	80.2	82.2	84.9	89.3	93.0	93.9				125.5
(12. M)	125	77.5	66.5	66.0	67.0	66.7	69.5	71.4	81.5	82.7	85.7	87.7	91.9	94.8	97.3				128.0
VEHICLE JENOTS	160	82.7	70.4	69.2	69.4	69.9	72.2	74.1	84.9	86.7	88.7	89.7	93.2	95.9	101.4				130.8
CONFIG JE-057	200	82.8	71.8	69.3	70.5	71.0	72.5	73.5	85.0	86.3	89.3	92.1	96.1	98.5	104.5				133.4
LOC EVENDALE	250	85.3	75.0	73.0	73.8	73.3	74.0	75.0	86.8	92.0	91.8	95.3	97.3	101.4	102.4				134.2
DATE 04-29-75	315	85.8	73.5	72.8	74.3	75.3	76.7	75.3	89.3	89.5	92.3	95.0	97.4	101.9	106.0				135.6
RUN DBTF-MODEL 8.	400	82.7	70.0	71.8	73.2	74.7	74.7	76.3	88.6	90.1	92.8	92.3	98.5	102.0	101.1				134.1
TAPE X60138	500	81.8	72.3	73.1	72.8	73.0	74.6	76.7	88.2	89.7	91.4	93.2	100.1	101.6	100.3				134.1
BAR 29.9 HG	630	81.3	73.0	73.2	72.5	73.5	74.3	76.4	88.4	89.9	91.2	94.0	98.6	100.4	101.3				133.6
(01039, N/M2)	800	81.7	72.4	72.9	74.0	74.8	75.0	76.4	89.4	90.5	93.8	96.0	98.3	97.7	98.0				132.9
TAMB 59. DEG F	1000	82.6	71.6	73.0	73.7	74.8	75.9	77.4	88.6	89.6	92.8	94.7	96.9	94.4	92.7				131.1
(288. DEG K)	1250	81.5	71.9	72.9	73.8	74.2	75.4	76.9	88.7	89.2	92.4	94.8	97.2	91.2	89.4				130.7
TWET 53. DEG F	1600	80.8	72.7	73.4	73.7	75.1	75.7	77.3	88.5	89.3	91.3	93.6	93.5	89.9	87.2				129.1
(285. DEG K)	2000	82.6	72.6	73.0	74.9	76.0	76.4	77.0	88.3	89.2	90.6	92.2	92.0	88.1	86.3				129.2
HACT 8.91 GM/M3	2500	81.3	73.3	73.2	73.5	74.8	75.7	76.9	88.9	89.5	90.8	90.5	90.7	85.9	83.7				127.6
(.00891 KG/M3)	3150	80.8	73.4	74.2	74.9	75.8	76.8	77.7	89.1	89.8	92.1	89.9	89.3	85.0	83.9				127.8
FREQ. SHIFT	4000	80.4	74.1	74.9	75.8	76.6	78.5	79.6	90.7	91.5	93.1	89.5	87.8	84.5	83.7				128.7
JET 0	5000	81.0	75.0	75.6	77.1	78.0	80.0	81.8	92.5	93.5	95.7	90.2	88.6	85.2	84.1				130.6
DIAMETER RATIO	6300	82.4	77.3	77.7	79.5	80.6	81.9	82.1	93.1	94.0	97.1	90.6	89.1	87.3	85.5				131.7
DF/DH 1.00	8000	79.7	74.0	75.5	77.7	78.9	80.3	80.7	93.6	94.4	96.3	90.6	87.2	84.3	82.8				131.6
	10000	78.9	74.6	75.4	76.9	78.1	79.3	79.9	93.5	95.3	95.8	89.8	85.9	84.1	82.7				131.9
	12500	78.7	76.3	76.9	76.4	77.2	78.7	80.0	93.1	95.3	95.2	89.1	85.8	84.5	83.6				131.9
	16000	78.6	77.9	78.2	77.0	77.4	78.4	79.3	92.3	94.3	93.7	87.8	85.6	86.4	85.5				131.3
	20000	77.4	76.7	78.2	77.2	76.2	75.9	77.8	90.1	92.7	92.4	86.8	84.3	84.4	83.2				130.2
	25000	72.7	72.1	73.4	73.2	71.7	72.5	74.9	87.6	89.6	89.4	83.6	80.3	80.1	78.4				127.7
	31500	68.0	67.4	68.4	68.9	67.4	70.2	71.5	84.0	85.4	85.8	80.7	77.1	76.6	74.3				124.5
	40000	66.5	65.0	66.5	66.5	65.3	67.6	68.3	80.7	82.1	81.6	76.6	73.8	73.0	72.2				121.7
	50000	63.3	61.5	62.5	63.3	62.2	64.0	65.8	78.0	79.3	79.2	74.9	72.9	72.5	71.8				120.2
	63000	60.1	59.0	59.2	60.2	59.7	61.7	62.2	74.8	77.0	78.4	74.9	74.6	74.1	74.1				120.9
	80000	57.5	55.1	54.6	56.4	56.9	57.0	58.6	71.5	75.2	79.7	76.0	76.2	75.0	74.9				124.0
OVERALL MEASURED																			
OVERALL CALCULATED		95.4	87.8	88.3	89.0	89.7	90.9	91.9	104.0	105.4	106.9	106.0	108.5	110.1	112.0				143.7
PND8		106.7	99.2	99.7	101.0	102.0	103.2	104.2	115.6	116.7	118.9	116.7	117.6	117.6	118.8				

☆ ☆ ☆ ☆ ☆ ☆

☆ 10 dB TOO LOW

268

609

REV, ALPHA 12/73	FREQ	ANGLES FROM INLET IN DEGREES (AND RADIANS)																		PWL
		30. (0.52)	40. (0.70)	50. (0.87)	60. (1.05)	70. (1.22)	80. (1.40)	90. (1.57)	100. (1.75)	110. (1.92)	120. (2.09)	130. (2.27)	140. (2.44)	150. (2.62)	160. (2.79)	0. (0.)	0. (0.)	0. (0.)		
NO EGA	50	69.3	59.6	60.4	60.4	60.5	60.6	61.1	72.3	72.9	74.8	77.5	80.8	83.8	90.0				118.8	
RDG. NO. 0	63	73.1	62.8	62.9	62.7	63.0	63.4	64.8	75.2	75.9	78.8	80.8	85.1	88.5	93.1				122.5	
RADIAL 40. FT.	80	75.4	65.6	65.8	65.1	65.3	66.2	67.8	78.3	79.1	81.1	85.0	88.6	91.3	95.9				125.5	
(12. M)	100	78.9	67.9	68.2	68.4	68.4	68.4	69.9	72.2	83.3	83.7	85.7	88.7	93.3	97.0	98.9			129.7	
VEHICLE JENOTS:	125	81.5	70.2	69.7	71.0	70.2	72.5	74.9	85.5	86.5	89.2	91.5	95.9	98.8	102.3				132.4	
CONFIG JE-057	160	86.7	73.9	73.2	73.9	73.9	75.4	78.6	88.4	90.7	92.2	93.7	97.2	100.1	104.6				134.4	
LOC EVENDALE	200	86.3	75.0	73.0	74.5	74.8	76.3	77.8	88.8	90.5	93.0	96.3	100.6	103.0	107.0				136.9	
DATE 04-29-75	250	88.3	78.0	76.0	76.5	76.5	77.8	77.8	89.5	94.8	95.0	98.8	102.0	105.2	104.9				137.7	
RUN DBTF-MODEL 6	315	88.8	77.0	76.0	77.8	78.3	79.5	78.0	92.5	92.8	95.0	98.5	101.4	106.7	108.8				139.2	
TAPE X60150	400	85.7	73.5	74.1	76.2	77.9	78.2	79.3	91.3	93.6	97.1	96.0	102.5	106.2	104.9				138.0	
BAR 29.9 HG	500	85.3	76.1	77.3	76.5	77.7	79.1	81.0	92.2	93.9	95.9	98.2	103.6	105.3	104.1				138.0	
(01039. N/M2)	630	85.8	76.7	76.7	76.2	77.7	78.0	80.6	92.9	94.7	96.0	99.5	103.1	104.2	105.3				138.0	
TANG 59. DEG F	800	85.7	76.7	77.6	78.3	79.3	79.5	81.2	94.1	95.3	98.8	101.2	102.8	102.2	100.7				137.5	
(288. DEG K)	1000	86.6	75.9	77.3	77.9	78.5	79.9	81.4	93.3	94.6	98.3	99.7	100.7	99.1	96.4				135.7	
TJET 53. DEG F	1250	86.0	76.9	77.1	78.3	79.0	80.4	81.2	92.9	94.7	97.6	100.1	101.2	96.2	93.4				135.5	
(285. DEG K)	1600	85.3	77.2	77.4	78.0	79.1	80.7	81.8	93.5	94.8	97.3	98.6	98.5	94.4	91.5				134.2	
HACT 8.91 GM/M3	2000	87.1	76.8	76.5	79.4	80.0	81.1	81.3	93.3	94.7	96.9	97.7	97.5	93.9	91.8				133.8	
(.00891 KG/M3)	2500	86.1	77.6	77.8	78.0	78.9	80.5	81.5	93.9	95.3	96.1	96.8	96.5	92.9	90.3				133.3	
FREQ. SHIFT	3150	85.3	77.7	77.5	79.0	79.9	81.1	82.0	93.7	95.6	96.4	95.7	95.6	92.6	90.9				133.1	
JET 0	4000	84.2	77.7	77.5	79.1	80.7	82.4	82.6	94.7	96.6	96.2	95.1	94.3	91.6	90.0				133.3	
DIAMETER RATIO	5000	84.8	78.1	78.7	80.7	81.6	83.4	84.8	96.1	98.9	97.3	95.0	94.4	91.8	89.9				134.5	
DF/DH 1.00	6300	85.6	79.9	80.6	82.9	84.5	85.8	85.7	97.2	99.4	97.5	94.7	94.0	91.4	88.9				135.1	
	8000	85.6	79.7	80.7	82.9	84.4	86.0	85.6	98.3	100.1	98.0	94.3	93.4	91.3	88.5				135.9	
	10000	85.7	80.2	81.7	82.7	84.2	85.6	85.5	98.5	100.9	98.4	94.4	92.0	90.7	88.8				136.5	
	12500	84.4	78.9	80.3	81.7	82.9	84.4	85.9	98.3	100.2	98.0	93.4	90.9	89.1	86.2				136.3	
	16000	81.8	76.3	77.8	79.4	81.3	83.8	84.7	97.7	98.7	96.4	91.5	89.6	86.8	83.7				135.4	
	20000	80.6	75.7	76.6	77.9	79.4	81.1	83.0	95.8	96.6	94.1	89.8	87.0	84.8	80.9				133.8	
	25000	79.6	74.6	76.1	76.9	77.9	80.2	81.3	93.6	94.8	92.4	88.6	85.2	83.1	79.1				132.5	
	31500	76.2	71.3	73.1	75.0	75.3	77.6	79.2	90.6	90.5	89.5	86.1	83.0	80.6	75.7				129.7	
	40000	74.1	69.1	70.3	72.1	72.7	74.7	75.9	87.3	87.4	85.7	81.9	79.1	77.1	73.6				127.1	
	50000	71.1	65.5	67.0	68.3	69.0	71.0	72.5	84.2	84.5	83.1	79.1	76.4	75.0	73.3				125.3	
	63000	68.1	61.3	63.0	64.5	64.5	68.3	69.0	81.8	81.8	81.2	77.2	74.7	73.9	74.2				124.8	
	80000	65.5	56.4	57.4	59.2	58.9	61.8	66.6	79.5	78.2	81.0	76.5	74.5	74.3	75.2				126.1	
OVERALL MEASURED																				
OVERALL CALCULATED		99.5	91.1	91.6	93.0	94.1	95.6	96.4	108.6	116.4	110.3	110.7	112.9	114.4	115.2				149.9	
PNDR		111.0	102.8	103.2	104.8	106.0	107.4	107.9	119.7	121.8	121.8	121.8	122.8	122.4	122.6					

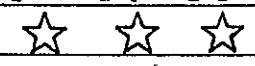
☆ ☆ ☆ ☆ ☆ ☆

☆ 10 dB TOO LOW

ORIGINAL PAGE IS
OF POOR QUALITY

SPL INPUT AT STD REV. ALPHA 12/73	ANGLES FROM INLET IN DEGREES (AND RADIANS)															PWL		
	30. (0.52)	40. (0.70)	50. (0.87)	60. (1.05)	70. (1.22)	80. (1.40)	90. (1.57)	100. (1.75)	110. (1.92)	120. (2.09)	130. (2.27)	140. (2.44)	150. (2.62)	160. (2.79)	0. (0.)		0. (0.)	0. (0.)
NO EGA	50	64.1	64.8	65.1	66.2	66.5	66.6	66.6	67.5	67.9	68.8	71.8	75.0	77.8	80.4			112.3
RDG. NO. 0.	63	66.8	69.1	67.6	68.2	68.5	68.9	69.0	70.4	70.9	73.1	75.3	78.6	82.0	85.3			116.3
RADIAC 40, FT.	80	69.4	69.9	70.3	69.6	70.0	70.2	71.3	72.3	73.3	75.9	78.7	81.9	84.5	87.9			118.9
(12. M)	100	72.9	71.9	72.1	72.1	72.1	73.4	75.7	76.6	77.5	79.1	82.1	86.5	89.8	91.7			123.1
VEHICLE JENOTS	125	75.2	73.9	73.7	74.4	74.2	76.9	78.6	78.7	79.7	82.9	84.9	89.1	92.3	94.8			125.9
CONFIG JE=057	160	80.1	77.4	77.1	77.4	77.4	78.9	81.6	81.6	83.4	86.1	87.4	90.9	94.1	97.8			128.4
LOC EVENDALE	200	80.5	80.0	77.8	78.0	78.5	79.8	80.5	82.3	84.0	88.0	91.1	95.1	97.5	100.3			131.2
DATE 04-29-75	250	82.3	82.3	80.3	81.3	81.3	82.0	82.5	84.3	90.3	90.5	94.0	96.3	100.2	101.1			133.3
RUN DBTF=MODEL 6	315	85.0	83.5	82.0	82.0	85.5	86.2	84.5	89.8	90.0	92.8	95.0	96.9	101.4	105.0			135.4
TAPE X60160	400	81.8	78.4	80.3	82.9	83.9	83.9	85.3	87.8	89.3	92.3	92.0	97.8	100.2	100.3			133.4
BAR 29.12 HG	500	81.8	81.8	82.1	81.0	81.7	82.9	84.7	85.9	88.2	90.4	93.2	99.9	101.8	100.6			134.4
(98536, N/M2)	630	82.3	82.2	83.0	81.2	82.2	82.3	84.9	85.9	88.4	90.2	93.7	98.8	100.7	102.1			134.1
TAMB 73, DEG F	800	82.2	81.7	81.9	82.5	83.0	83.0	84.7	87.4	88.5	92.8	95.7	98.0	98.2	99.7			133.3
(296, DEG K)	1000	82.3	80.4	82.3	81.9	82.5	83.9	85.2	87.1	88.6	91.8	93.7	95.2	94.4	94.9			130.9
THET 60, DEG F	1250	80.5	80.7	81.9	82.0	83.0	83.9	85.4	87.2	87.9	91.4	94.3	96.0	92.4	91.2			130.7
(289, DEG K)	1600	79.0	80.5	81.9	82.0	82.6	84.7	85.3	86.5	87.3	90.5	93.3	93.7	90.6	88.2			129.4
HACT 0, GM/M3	2000	80.6	79.6	81.0	82.9	83.0	84.4	84.5	86.3	87.5	89.6	91.7	91.8	88.3	86.8			128.3
(, KG/M3)	2500	79.0	80.3	81.5	80.7	81.8	82.9	83.7	85.9	87.5	89.8	89.7	89.7	85.1	84.0			127.2
FREQ. SHIFT	3130	78.0	80.6	81.2	81.9	82.8	83.3	84.2	86.1	86.8	89.8	89.1	87.6	84.0	82.6			126.9
JET 0	4000	77.1	81.6	82.4	82.5	83.6	84.7	85.3	87.1	87.2	89.3	87.7	85.7	82.0	80.7			127.0
DIAMETER RATIO	5000	76.7	80.4	82.8	83.0	83.4	85.0	86.4	87.7	88.2	90.9	88.6	85.5	81.4	80.5			127.8
DF/DM 1.00	6300	76.1	80.4	81.9	82.7	84.0	84.6	84.8	87.2	87.9	89.8	88.7	85.5	81.2	79.2			127.4
	8000	75.3	79.6	81.6	81.8	82.6	83.4	84.0	86.0	87.5	88.7	86.9	83.8	79.7	79.4			126.5
	10000	74.7	79.9	82.7	83.0	81.9	82.8	82.9	85.7	87.6	89.9	84.9	81.9	79.4	79.2			126.8
	12500	73.5	79.5	82.1	82.1	81.7	82.0	82.5	85.1	87.3	88.9	83.6	81.0	79.2	79.4			126.5
	16000	72.5	80.3	81.3	80.1	80.1	80.3	81.2	84.2	85.7	85.9	81.5	79.1	78.6	77.4			125.2
	20000	68.6	75.8	77.6	76.9	75.9	76.1	77.7	80.7	83.1	83.1	79.2	75.7	74.8	74.1			122.4
270	25000	64.6	70.8	72.8	72.4	71.4	72.4	74.3	77.3	79.0	80.6	75.8	73.4	73.0	72.0			119.4
	31500	60.5	65.5	67.6	67.8	66.3	67.9	69.9	74.1	74.3	76.7	73.1	71.0	70.8	69.0			116.1
	40000	59.5	62.7	63.4	63.5	63.3	63.4	65.8	71.2	69.8	73.9	69.6	70.0	70.9	69.7			113.9
	50000	61.4	62.3	61.6	61.9	62.5	62.8	64.8	72.5	68.3	75.7	70.4	72.9	73.5	72.4			116.2
	63000	63.0	63.7	62.3	63.3	64.8	64.6	66.1	75.1	70.8	78.2	72.3	75.8	75.9	75.0			120.6
	80000	65.2	64.1	63.9	64.1	66.1	66.5	68.0	77.2	72.7	80.9	74.7	77.7	78.2	76.7			125.8
OVERALL MEASURED																		
OVERALL CALCULATED		93.6	94.2	95.0	95.3	95.9	96.8	97.7	99.9	101.3	103.7	105.0	107.7	109.4	110.8			144.3
PND8		104.3	106.2	107.1	107.4	108.1	109.2	110.0	111.9	112.8	115.3	115.6	116.4	116.7	117.7			

REV.	ALPHA	2475	FREQ.	30	40	50	60	70	80	90	100	110	120	130	140	150	160	PHL
				(0.22)	(0.70)	(0.67)	(1.03)	(1.22)	(1.40)	(1.57)	(1.75)	(1.92)	(2.09)	(2.27)	(2.44)	(2.62)	(2.79)	(0.0)
				30	40	50	60	70	80	90	100	110	120	130	140	150	160	PHL
NO. EGA.			50	68.3	68.3	68.9	69.4	71.0	71.1	69.6	70.5	71.1	73.1	76.0	88.8	92.3	94.7	124.6
BDG. NO.			80	73.9	74.1	74.3	74.1	74.5	74.2	75.8	76.3	77.1	79.1	83.0	92.9	99.0	102.6	129.0
RADIAL	40	FT.	100	76.7	75.9	76.4	76.7	76.7	77.7	79.5	80.8	81.7	83.4	86.4	100.0	104.5	105.9	136.1
VEHICLE		JENCOYS	100	79.9	78.2	78.0	79.2	78.2	81.0	82.9	83.2	84.5	87.0	89.5	103.4	106.5	109.5	139.1
CONFIG		JENCOYS	100	84.7	81.7	81.2	81.7	81.9	83.3	85.9	85.9	87.9	90.2	91.9	105.2	108.4	112.4	143.8
LCC		EVEN DALL	200	84.0	83.0	84.3	84.0	82.5	83.8	85.0	87.3	88.0	90.8	94.6	108.1	111.0	114.4	143.1
DATE	04	29	75	87.5	85.5	84.3	85.8	87.5	88.0	86.0	91.0	91.3	94.3	97.5	110.3	113.4	119.0	147.9
RUN	04	29	75	83.9	82.2	82.8	84.2	85.7	85.7	87.8	89.6	91.1	95.1	94.5	111.0	115.2	114.4	146.1
TAPE		MODEL	6	85.6	85.6	85.6	84.5	85.7	86.6	88.5	89.2	91.9	94.2	96.7	113.4	115.8	114.3	147.0
BAR	29	9	HG	630	85.3	85.7	86.0	84.7	85.5	88.5	89.6	91.9	93.7	97.0	111.8	113.9	115.3	146.1
YAMB	01039	N/42	800	85.0	85.7	85.6	85.8	87.0	86.8	87.9	91.1	91.5	96.0	99.0	111.0	111.0	111.5	143.9
THET	59	DEG F	1000	89.4	83.9	85.5	85.7	86.0	87.4	88.7	90.6	91.6	95.4	97.0	108.1	107.1	105.7	140.4
THET	53	DEG F	1250	83.5	83.9	84.4	85.8	86.2	87.2	88.8	90.2	90.9	94.8	97.3	108.5	103.4	102.4	135.9
WABT	8.91	GM/H3	2500	84.1	83.6	84.3	86.4	86.7	87.9	88.0	89.7	90.7	92.6	95.2	104.9	100.4	98.6	136.2
FREQ	000891	KG/H3	3120	83.0	84.5	85.5	85.0	85.8	87.2	88.2	89.4	90.8	92.3	92.7	102.4	97.7	95.5	134.4
JET			4000	80.9	84.6	85.7	87.0	88.1	88.8	89.3	91.2	92.5	94.1	92.2	100.6	97.6	95.9	133.8
DIAMETER RATIO			5000	81.5	86.0	87.3	88.3	89.5	90.8	92.0	93.2	95.0	96.0	91.4	99.3	96.0	94.5	133.5
BT/DM	1.00		6300	83.4	88.8	91.2	92.5	92.6	93.2	92.3	94.3	96.0	98.1	91.8	100.4	98.5	96.1	136.5
			8000	81.2	86.5	87.5	89.4	91.0	92.3	92.4	94.9	96.9	98.1	92.4	99.4	96.3	94.3	136.1
			10000	81.4	86.6	88.4	89.9	91.1	91.3	92.2	95.5	97.6	98.1	92.3	98.7	96.4	95.2	136.5
			12500	82.2	89.1	90.6	90.9	90.0	91.0	92.6	95.9	97.6	97.4	91.6	98.8	97.2	97.0	137.0
			16000	81.4	88.9	91.4	91.0	90.0	90.9	92.6	94.3	96.3	93.5	90.4	97.9	97.7	97.0	136.6
271			20000	77.7	85.0	87.9	88.7	87.8	88.2	89.6	93.1	95.0	93.1	88.4	94.6	93.9	92.2	134.6
			25000	74.4	82.4	83.9	85.0	83.8	85.3	87.7	89.4	91.9	91.2	85.7	92.1	91.2	88.7	132.9
			31500	70.6	77.8	80.2	80.6	79.9	82.0	84.1	85.8	87.2	87.6	82.1	88.6	87.4	84.8	128.1
			40000	66.6	73.6	75.5	76.8	75.9	77.2	79.1	81.3	82.6	82.6	77.1	83.6	82.3	82.3	123.0
			50000	64.1	68.8	70.6	72.1	71.0	74.1	75.6	77.6	78.8	79.2	75.5	83.9	82.3	82.6	123.9
			63000	64.2	65.6	66.8	67.7	67.3	73.3	73.8	76.3	76.8	78.9	75.7	85.5	84.4	83.2	126.3
			80000	65.6	63.9	64.0	65.7	65.0	75.1	75.1	77.1	75.2	80.7	76.8	87.6	86.1	86.3	130.8
OVERALL MEASURED				97.4	99.3	100.5	101.2	101.7	102.4	103.3	105.6	107.3	108.7	108.5	121.0	123.1	124.5	155.7
OVERALL CALCULATED				108.3	110.9	112.2	113.3	113.8	114.3	115.0	116.7	118.8	120.4	119.0	129.9	130.4	131.3	



☆ 10 dB TOO HIGH

ORIGINAL PAGE IS OF POOR QUALITY

REV, ALPHA 12/73	FREQ.	ANGLES FROM INLET IN DEGREES (AND RADIAN)																		PHL
		30.	40.	50.	60.	70.	80.	90.	100.	110.	120.	130.	140.	150.	160.	0.	0.	0.		
NO EGA	50	71.3	61.1	61.4	61.7	62.2	62.8	62.9	74.5	74.9	77.1	79.5	82.5	86.3	89.2				119.7	
RDG. NO. 0.	63	74.8	64.6	64.7	65.2	64.8	65.4	66.5	77.2	77.6	80.6	83.1	86.4	90.2	92.1				123.1	
RADIAL 40. FT.	80	77.6	67.6	67.3	66.9	67.3	68.7	69.3	80.1	81.8	84.1	87.2	90.9	93.5	95.6				126.8	
(12. M)	100	81.7	70.4	70.9	70.9	70.9	72.7	74.2	85.6	86.2	88.4	90.9	95.5	99.5	100.9				132.0	
VEHICLE JENOTS:	125	84.0	73.0	72.5	73.2	72.5	75.5	77.2	87.7	88.7	91.5	93.7	98.6	101.0	102.5				134.0	
CONFIG JE-057	160	90.2	76.7	76.2	76.7	76.7	78.4	80.4	90.7	92.4	94.2	95.7	99.7	102.1	104.6				135.8	
LOC EVENDALE	200	88.8	76.8	75.5	77.0	77.0	78.8	79.3	90.8	92.0	95.3	98.3	102.9	105.2	107.3				138.4	
DATE 04-29-75	250	90.8	80.8	78.8	79.0	78.5	79.5	79.8	91.0	96.5	97.3	101.5	105.0	107.9	106.6				140.2	
RUN DBTF-MODEL 6.	315	91.5	79.3	78.0	79.8	80.5	81.2	80.3	94.8	94.8	97.8	102.5	105.9	109.9	111.3				142.3	
TAPE X60200	400	87.9	75.7	77.6	78.4	79.9	80.2	81.6	93.8	96.1	99.3	99.8	106.3	110.7	108.6				141.9	
BAR 29.9 HG	500	88.1	79.1	79.6	79.0	80.2	81.4	83.2	95.0	96.7	97.9	100.7	106.6	108.3	107.8				141.0	
(01039, N/M2)	630	89.1	79.7	79.7	79.2	80.5	80.5	82.9	95.1	97.2	99.2	102.5	106.6	107.9	109.3				141.5	
TAMB 59. DEG F	800	88.2	79.2	79.6	80.5	81.5	81.8	83.2	96.6	97.5	101.5	104.0	105.3	104.0	105.5				140.2	
(288, DEG K)	1000	89.3	78.1	79.3	80.2	81.3	81.9	83.9	96.1	97.6	101.3	102.5	104.4	102.1	99.9				138.9	
TWET 53. DEG F	1250	88.2	78.7	79.4	80.0	81.5	82.2	83.9	96.2	97.4	100.6	103.6	104.5	99.4	96.7				138.7	
(285, DEG K)	1600	88.1	79.5	78.9	80.5	81.6	82.5	84.0	96.0	97.1	100.0	102.1	101.5	97.9	94.5				137.2	
HACT 8.91 GM/M3	2000	89.1	78.8	78.5	80.0	82.0	82.6	83.8	96.1	97.0	99.4	100.9	100.8	96.6	94.5				136.6	
(.00891 KG/M3)	2500	88.1	79.1	79.5	79.5	80.6	82.2	83.5	95.7	97.6	98.9	99.8	99.2	95.7	93.0				135.9	
FREQ. SHIFT	3150	87.3	79.4	79.0	80.7	81.4	82.9	83.8	95.7	97.8	98.1	98.4	98.4	95.8	93.4				135.5	
JET 0	4000	85.9	78.7	78.8	80.8	81.7	83.4	84.1	96.5	98.3	97.7	97.6	97.3	94.6	92.5				135.3	
DIAMETER RATIO	5000	86.6	78.8	79.4	81.4	82.3	84.1	85.3	97.6	100.1	98.3	97.3	97.2	94.3	91.7				136.1	
DF/DM 1.00	6300	86.8	80.6	80.8	83.2	85.0	85.5	85.7	98.2	100.6	98.0	96.4	96.5	94.2	90.7				136.3	
	8000	86.4	80.7	80.9	83.4	85.2	86.5	86.6	98.8	101.1	98.0	95.6	94.6	93.5	90.8				136.6	
	10000	86.5	80.7	81.4	83.5	85.2	86.4	86.7	99.5	101.9	98.1	94.9	93.7	92.2	90.0				137.3	
	12500	85.1	78.9	80.5	82.0	84.4	85.6	86.7	99.3	100.9	97.8	94.2	92.1	90.6	87.7				136.9	
	16000	83.0	77.3	78.6	80.4	83.1	84.3	85.7	98.9	99.0	95.9	92.3	90.6	88.3	85.7				136.0	
	20000	81.9	76.4	77.1	79.2	80.7	82.9	84.5	96.5	97.1	93.9	90.5	87.8	85.8	83.1				134.3	
	25000	80.6	75.1	76.3	78.4	78.9	81.2	82.6	94.8	95.3	91.6	88.6	86.2	83.9	80.6				133.0	
	31500	77.0	72.5	73.8	75.8	76.1	78.6	79.7	91.1	91.3	89.2	85.9	83.3	81.6	77.5				130.1	
	40000	74.9	69.3	70.8	73.1	73.7	75.7	76.2	87.8	87.9	85.5	81.9	79.6	77.8	75.1				127.5	
	50000	71.8	65.8	67.3	69.6	69.5	74.0	73.3	85.2	85.0	82.9	79.1	77.4	75.7	73.8				125.8	
	63000	68.6	62.1	63.2	66.0	65.8	72.0	69.7	82.3	82.0	81.2	77.0	76.7	74.4	74.4				125.2	
	80000	66.0	56.6	57.9	60.4	60.2	76.5	67.1	79.8	78.2	81.5	76.8	77.5	74.3	75.2				127.1	
OVERALL MEASURED																				
OVERALL CALCULATED		101.7	92.7	92.9	94.3	95.6	96.8	97.8	110.2	112.9	122.1	113.5	116.0	117.5	117.7				152.2	
PNDR		113.1	104.5	104.4	106.0	107.3	108.2	109.2	121.4	123.5	123.7	124.6	125.6	125.8	125.0					

☆ ☆ ☆ ☆ ☆ ☆

☆ 10 dB TOO LOW

612

REQ. ALPHA 12/73	FREQ.	MODEL SOUND PRESSURE LEVELS (59, DEG. F. TO PERCENT REL. HUM. DAY - JENOTS)																PWL
		ANGLES FROM INLET IN DEGREES (AND RADIAN)																
		30.	40.	50.	60.	70.	80.	90.	100.	110.	120.	130.	140.	150.	160.	170.	180.	
RDG. NO. EGA	83	85.8	86.3	86.9	88.4	89.5	89.1	88.4	89.3	89.6	91.1	93.5	96.3	99.6	101.5	101.8	101.8	113.8
RADIAL 40. FT.	190	84.2	84.9	85.4	87.1	88.3	87.2	86.1	87.6	88.6	90.1	92.2	94.9	98.1	100.8	101.2	101.2	120.2
VEHICLE JENOTS	160	81.7	82.2	82.7	84.4	85.6	84.5	83.4	84.9	85.9	87.4	89.5	92.2	95.4	99.1	101.5	101.5	126.7
LCB EVENDALE	230	83.5	84.0	84.5	86.2	87.4	86.3	85.2	86.7	87.7	89.2	91.3	94.0	97.2	100.9	101.3	101.3	132.8
DATE 04-29-75	315	86.3	86.8	87.3	89.0	90.2	89.1	88.0	89.5	90.5	92.0	94.1	96.8	100.0	102.7	103.1	103.1	137.2
RUN DBTF MODEL 6	400	82.9	83.4	83.9	85.6	86.8	85.7	84.6	86.1	87.1	88.6	90.7	93.4	96.6	100.3	100.7	100.7	135.1
TYPE X60220	500	83.8	84.3	84.8	86.5	87.7	86.6	85.5	87.0	88.0	89.5	91.6	94.3	97.5	101.2	101.6	101.6	136.3
BAR 29.9 HG	600	84.3	84.8	85.3	87.0	88.2	87.1	86.0	87.5	88.5	90.0	92.1	94.8	98.0	100.7	101.1	101.1	135.2
401039, N/M2	800	83.7	84.2	84.7	86.4	87.6	86.5	85.4	86.9	87.9	89.4	91.5	94.2	97.4	101.1	101.5	101.5	133.0
TAMB 59, DEG F	1000	83.8	84.3	84.8	86.5	87.7	86.6	85.5	87.0	88.0	89.5	91.6	94.3	97.5	101.2	101.6	101.6	132.8
(288, DEG K)	1250	82.0	82.5	83.0	84.7	85.9	84.8	83.7	85.2	86.2	87.7	89.8	92.5	95.7	99.4	100.8	100.8	131.4
THRT 53, DEG F	1600	80.8	81.3	81.8	83.5	84.7	83.6	82.5	84.0	85.0	86.5	88.6	91.3	94.5	98.2	99.6	99.6	130.3
(265, DEG K)	2000	82.6	83.1	83.6	85.3	86.5	85.4	84.3	85.8	86.8	88.3	90.4	93.1	96.3	100.0	100.4	100.4	128.8
WAST 8.91 GR/H3	2500	80.8	81.3	81.8	83.5	84.7	83.6	82.5	84.0	85.0	86.5	88.6	91.3	94.5	98.2	99.6	99.6	128.4
(100891, KG/H3)	3150	79.8	80.3	80.8	82.5	83.7	82.6	81.5	83.0	84.0	85.5	87.6	90.3	93.5	97.2	98.6	98.6	128.3
FREQ. SHIFT	4000	78.4	78.9	79.4	81.1	82.3	81.2	80.1	81.6	82.6	84.1	86.2	88.9	92.1	95.8	97.2	97.2	129.0
JET	5000	78.5	79.0	79.5	81.2	82.4	81.3	80.2	81.7	82.7	84.2	86.3	89.0	92.2	95.9	97.3	97.3	129.1
DIAMETER RATIO	6300	76.9	77.4	77.9	79.6	80.8	79.7	78.6	80.1	81.1	82.6	84.7	87.4	90.6	94.3	95.7	95.7	128.1
DP/CM 1.00	8000	76.4	76.9	77.4	79.1	80.3	79.2	78.1	79.6	80.6	82.1	84.2	86.9	90.1	93.8	95.2	95.2	127.0
	10000	75.9	76.4	76.9	78.6	79.8	78.7	77.6	79.1	80.1	81.6	83.7	86.4	89.6	93.3	94.7	94.7	124.3
	12500	74.5	75.0	75.5	77.2	78.4	77.3	76.2	77.7	78.7	80.2	82.3	85.0	88.2	91.9	93.3	93.3	121.2
273	16000	74.1	74.6	75.1	76.8	78.0	76.9	75.8	77.3	78.3	79.8	81.9	84.6	87.8	91.5	92.9	92.9	117.9
	20000	70.2	70.7	71.2	72.9	74.1	73.0	71.9	73.4	74.4	75.9	78.0	80.7	83.9	87.6	89.0	89.0	114.8
	25000	68.2	68.7	69.2	70.9	72.1	71.0	69.9	71.4	72.4	73.9	76.0	78.7	81.9	85.6	87.0	87.0	116.1
	31500	62.3	62.8	63.3	65.0	66.2	65.1	64.0	65.5	66.5	68.0	70.1	72.8	76.0	79.7	81.1	81.1	120.2
	40000	60.1	60.6	61.1	62.8	64.0	62.9	61.8	63.3	64.3	65.8	67.9	70.6	73.8	77.5	78.9	78.9	125.3
	50000	60.6	61.1	61.6	63.3	64.5	63.4	62.3	63.8	64.8	66.3	68.4	71.1	74.3	78.0	79.4	79.4	125.3
	63000	63.2	63.7	64.2	65.9	67.1	66.0	64.9	66.4	67.4	68.9	71.0	73.7	76.9	80.6	82.0	82.0	125.3
	80000	65.1	65.6	66.1	67.8	69.0	67.9	66.8	68.3	69.3	70.8	72.9	75.6	78.8	82.5	83.9	83.9	125.3
OVERALL MEASURED		95.1	95.6	96.4	97.9	99.4	98.3	97.2	98.7	99.7	101.2	103.3	106.0	109.2	112.9	114.3	114.3	146.1
OVERALL CALCULATED		105.9	107.8	108.2	108.9	109.9	110.7	111.7	113.4	114.7	117.0	117.8	118.5	118.9	119.8	119.8	119.8	146.1

ORIGINAL PAGE IS OF POOR QUALITY

Table with columns: BEV, ALPHA, FREQ, ANGLES FROM INLET IN DEGREES (AND RADIANS), and PWL. Rows include parameters like NO EGA, RDO, NO, RADIAL, VEHICLE, CONFIG, LCC, DATE, RUN, TYPE, BAR, YAMB, TWET, WAGY, FREQ, DIAMETER RATIO, and overall metrics like OVERALL MEASURED and OVERALL CALCULATED.

		MODEL SOUND PRESSURE LEVELS (59, DEG, F, 70 PERCENT REL. HUM., DAY 10, 10, 10, 10, 10, 10, 10, 10, 10, 10, 10, 10, 10, 10, 10, 10)																PWL		
		ANGLES FROM INLET IN DEGREES (AND RADIANS)																		
REV.	ALPHA 12473	FREQ	30	40	50	60	70	80	90	100	110	120	130	140	150	160	170	180	190	200
		50	73.3	73.3	74.4	73.9	74.9	74.3	74.4	76.0	76.4	98.6	81.3	84.5	88.6	95.5	97.8	124.0	126.0	129.0
		83	77.1	76.3	76.9	76.5	76.5	76.9	77.8	80.2	82.8	82.3	85.1	88.4	92.0	97.8	103.8	126.1	126.1	129.1
REG. NO.	0	80	79.1	79.4	79.5	78.9	78.8	79.7	80.8	81.6	82.8	85.4	88.7	92.7	95.3	100.1	103.4	129.1	129.1	129.7
RADIAL	40, FT.	100	82.7	81.7	82.7	82.7	82.2	83.2	85.3	86.8	87.2	89.7	92.7	98.9	101.0	103.4	103.4	134.0	134.0	134.7
	12, M	125	85.0	83.7	84.2	84.7	84.0	86.7	88.7	88.7	90.0	92.7	95.0	98.9	102.3	107.3	107.3	136.1	136.1	136.8
VEHICLE	JENOTS	150	90.4	87.7	87.2	87.4	88.2	89.2	91.6	91.7	93.7	95.9	97.7	101.3	105.9	109.1	109.1	141.8	141.8	141.8
CONFIG	JEN057	200	89.8	88.8	87.0	88.0	88.3	89.8	90.3	92.0	94.3	97.3	99.3	103.3	108.0	111.1	111.1	143.8	143.8	143.8
LCC	EVENDALE	250	91.3	91.3	89.9	90.3	90.3	90.8	90.8	92.8	98.3	99.3	103.8	107.5	110.4	108.6	108.6	142.6	142.6	142.6
DATE	04-29-75	315	92.8	90.0	90.3	91.3	92.0	93.0	91.3	96.0	96.3	99.3	104.8	107.6	112.2	113.1	113.1	144.5	144.5	144.5
RUN	DBTF-MODEL 6	400	89.9	87.2	88.3	89.7	91.2	92.0	93.6	95.6	97.3	101.1	101.3	107.8	112.2	109.9	109.9	143.1	143.1	143.1
TYPE	R60250	500	92.1	91.8	92.3	90.3	91.5	92.9	94.7	97.0	98.7	100.7	103.5	109.9	111.8	111.8	111.8	144.8	144.8	144.8
BAR	29.9 HG	600	92.6	92.0	92.2	90.1	92.0	93.3	95.1	97.1	99.1	101.2	103.7	108.3	111.9	111.9	111.9	144.1	144.1	144.1
	201039, NAM2)	800	91.2	91.7	91.6	92.3	93.3	93.8	93.2	98.4	99.3	103.8	106.0	108.0	108.0	108.0	108.0	143.1	143.1	143.1
YAW	59, DEG F	1000	91.6	89.9	91.3	91.7	92.3	93.7	95.9	97.8	99.4	103.3	105.0	105.4	105.4	104.2	104.2	141.4	141.4	141.4
	(288, DEG K)	1250	89.7	90.7	91.4	91.8	92.7	93.9	95.9	97.4	98.9	102.4	103.3	103.0	102.4	100.1	100.1	139.1	139.1	139.1
WGT	53, DEG F	1600	89.8	91.0	91.2	92.0	93.3	94.2	96.0	97.5	99.1	102.3	104.1	102.7	99.6	98.2	98.2	139.1	139.1	139.1
	(285, DEG K)	2000	90.8	90.8	90.3	92.9	93.3	94.6	95.5	98.1	98.7	101.4	103.2	102.3	99.1	98.1	98.1	138.1	138.1	138.1
WABT	8.91 GH/M3	2500	89.8	90.8	91.3	91.0	92.6	93.7	94.9	97.4	99.0	101.1	101.7	101.7	98.7	96.0	96.0	138.1	138.1	138.1
	(1.00891 KG/M3)	3150	89.0	91.1	91.3	91.9	93.1	94.1	95.0	97.6	99.0	100.7	100.9	101.1	98.8	96.9	96.9	138.1	138.1	138.1
FREQ	SHIFT	4000	87.4	89.9	91.2	92.0	93.1	95.0	95.3	97.9	99.8	99.9	100.3	100.0	97.8	95.5	95.5	138.1	138.1	138.1
	JET	5000	87.5	90.0	91.3	92.6	93.3	95.8	96.5	98.7	101.5	100.5	99.9	100.6	97.5	96.1	96.1	139.1	139.1	139.1
DIAMETER	RATIO	6300	87.2	91.0	91.9	94.0	95.6	97.2	97.3	98.1	102.0	99.9	99.6	99.6	96.8	95.3	95.3	139.1	139.1	139.1
DF/DR	1.00	8000	87.2	90.7	92.3	94.2	96.2	97.5	97.7	99.9	102.7	99.3	98.4	98.4	96.6	95.1	95.1	139.1	139.1	139.1
		10000	86.7	90.6	92.4	94.2	95.9	97.1	97.4	100.5	102.6	99.1	98.1	96.9	95.4	91.7	91.7	139.1	139.1	139.1
		12500	85.5	89.6	91.6	93.4	94.5	96.3	97.8	100.4	101.8	99.2	96.6	95.3	94.0	90.1	90.1	138.1	138.1	138.1
		16000	83.4	87.4	89.9	91.2	93.1	93.4	96.1	99.1	100.1	97.2	95.1	93.4	90.1	87.8	87.8	136.1	136.1	136.1
		20000	81.4	86.2	87.7	89.7	91.8	93.0	94.6	97.1	98.2	95.1	92.9	90.4	88.1	84.7	84.7	134.1	134.1	134.1
		25000	79.2	84.9	86.4	88.3	89.0	91.0	92.4	94.7	95.4	92.4	89.7	87.1	85.7	82.6	82.6	134.1	134.1	134.1
		31500	75.6	80.9	82.4	84.4	85.3	88.0	89.6	91.5	91.9	89.4	87.0	84.4	82.7	79.3	79.3	129.1	129.1	129.1
		40000	73.1	77.8	79.3	81.8	81.6	83.7	85.1	87.3	88.9	85.5	83.6	81.3	80.1	77.8	77.8	128.1	128.1	128.1
		50000	71.6	74.8	76.1	77.9	77.8	79.8	81.6	85.1	85.8	84.1	83.7	82.4	81.3	81.1	81.1	128.1	128.1	128.1
		63000	72.7	73.4	74.0	75.7	75.3	76.3	78.3	85.3	85.3	85.7	83.0	84.2	83.1	83.1	83.1	130.1	130.1	130.1
		80000	73.6	73.4	72.7	74.7	74.7	75.6	76.9	86.6	91.5	88.2	86.3	86.3	85.6	85.8	85.8	136.1	136.1	136.1
OVERALL	MEASURED																			
OVERALL	CALCULATED		103.3	103.9	104.6	105.5	106.7	109.0	109.1	111.4	113.3	114.1	115.8	118.1	120.2	120.4	120.4	154.9	154.9	154.9
	PND		134.7	115.9	116.4	117.2	118.4	119.8	120.6	122.8	125.0	125.8	126.9	128.0	128.2	128.3	128.3			

ORIGINAL PAGE IS
OF POOR QUALITY

MODEL SOUND PRESSURE LEVELS (59, DEG; F; 70 PERCENT REL. HUM, DAY - JENOTS)
 ANGLES FROM INLET IN DEGREES (AND RADIANS)

SPL INPUT AT STD REV. ALPHA 12/73	30. (0.52)	40. (0.70)	50. (0.87)	60. (1.05)	70. (1.22)	80. (1.40)	90. (1.57)	100. (1.75)	110. (1.92)	120. (2.09)	130. (2.27)	140. (2.44)	150. (2.62)	160. (2.79)	0. (0.)	0. (0.)	0. (0.)	PWL
NO. EGA	50	62.1	63.3	63.4	63.9	64.5	64.6	65.1	66.0	66.1	67.6	68.8	70.3	74.1	76.4			109.2
RDG. NO.	63	64.6	69.3	65.4	65.7	66.3	66.1	67.3	68.7	68.1	70.1	71.3	73.9	77.7	80.8			112.5
RADIAL 40, FT. (12, M)	80	66.6	67.4	67.5	67.6	68.0	68.7	69.3	70.6	71.3	72.9	74.5	77.9	80.8	83.6			115.3
VEHICLE JEVOTS	100	68.9	68.9	69.6	69.6	70.1	71.6	73.9	74.6	75.7	76.9	78.6	82.3	86.3	88.2			119.8
CONFIO JE=057	125	71.2	69.9	70.7	72.4	71.7	74.4	76.4	76.7	77.7	80.2	81.7	85.3	89.0	92.0			122.9
LOC EVENDALE	160	74.6	72.9	72.9	74.1	74.4	76.4	79.1	79.1	81.1	82.9	83.6	86.9	90.1	93.8			124.7
DATE 04-29-75	200	76.0	76.0	74.8	75.5	76.0	78.3	78.8	79.8	81.0	84.0	85.1	88.1	91.2	95.0			125.8
RUN DBTF=MODEL 6	250	78.3	78.8	77.8	79.0	78.5	79.8	80.3	81.3	86.8	85.8	87.0	87.5	91.4	94.9			126.7
TYPE X60320	315	81.3	80.0	79.3	80.5	81.5	82.9	81.0	84.5	84.3	85.5	87.0	87.9	91.4	96.5			127.5
BAR 29.2 H3	400	76.9	74.4	76.0	77.6	79.1	79.2	79.8	81.1	82.5	84.8	82.8	89.3	92.4	92.1			125.7
(98536, N/M2)	500	76.1	76.8	78.6	77.8	78.7	79.4	81.0	81.7	83.4	84.7	86.2	92.1	92.6	94.3			127.1
TAMP 73, DEG F	630	77.3	79.0	80.0	78.2	79.7	79.8	82.1	83.1	83.9	84.2	85.2	89.3	90.7	94.6			126.4
(296, DEG K)	800	78.0	78.9	79.1	79.8	80.5	80.0	81.2	83.6	84.0	87.0	89.0	90.5	90.2	92.2			126.8
TNET 60, DEG F	1000	79.1	77.6	80.0	80.2	80.8	81.9	82.4	83.3	83.9	86.6	86.7	88.7	89.1	87.4			125.6
(269, DEG K)	1250	78.0	78.7	80.1	80.3	80.5	81.2	82.9	83.7	83.4	85.9	87.1	89.2	87.4	84.2			125.3
HACT 0: G4/M3	1600	77.5	79.7	80.6	80.7	80.8	82.0	83.0	83.7	83.3	85.8	86.6	87.5	84.6	82.2			124.8
(, KG/M3)	2000	79.3	79.3	80.3	81.6	81.7	82.6	82.5	83.6	83.7	85.4	86.4	86.5	83.8	82.0			124.7
FREQ. SHIFT	2500	78.8	80.3	81.2	80.9	81.3	82.4	82.9	83.9	84.5	85.8	86.0	85.7	81.6	79.7			124.6
JFT 0	3150	78.0	81.6	82.5	83.2	84.3	84.8	84.5	85.6	85.3	87.3	86.6	85.3	81.8	80.8			126.0
DIAETER RATIO	4000	77.8	82.6	83.4	84.7	85.1	86.2	86.5	87.4	87.7	89.3	88.0	85.0	81.7	80.4			127.6
DF/DM 1.00	5000	78.2	82.9	84.3	84.8	85.4	86.2	86.7	87.9	88.2	90.2	89.1	85.5	81.9	82.0			128.2
275A	6300	78.4	83.7	85.1	85.2	85.6	86.3	86.3	87.5	87.4	89.0	88.7	85.0	82.4	82.9			127.9
	8000	76.3	81.6	83.1	83.5	84.1	85.4	84.8	87.7	88.5	89.7	86.9	83.8	80.9	80.7			127.7
	10000	75.7	81.7	83.7	83.7	84.2	84.3	84.4	87.0	88.3	90.9	88.1	83.2	80.7	80.7			128.2
	12500	75.2	83.5	84.1	83.8	83.5	83.5	83.8	86.1	87.6	89.4	87.1	82.3	81.2	81.1			127.7
	16000	75.3	84.3	83.3	82.1	82.6	82.3	81.9	83.9	85.5	88.4	86.8	81.3	80.8	80.9			127.0
	20000	71.8	80.3	80.6	79.6	78.6	78.3	78.7	80.5	82.8	85.3	83.2	78.0	77.8	77.8			124.2
	25000	69.3	78.3	79.5	78.1	76.4	75.1	75.8	77.3	78.8	81.3	78.5	75.4	77.0	77.5			121.7
	31500	64.9	73.8	74.8	74.0	71.6	71.6	71.7	73.6	74.5	77.0	74.6	72.0	72.8	72.5			118.1
	40000	61.5	68.4	69.4	69.2	66.6	65.6	66.3	68.5	69.1	72.1	68.6	66.0	67.2	66.4			113.5
	50000	61.1	64.3	64.8	64.6	64.0	64.1	64.8	65.5	64.3	70.4	64.4	65.2	65.0	64.1			111.7
	63000	62.7	63.7	63.3	64.5	65.3	65.1	65.6	66.1	62.6	72.0	63.8	66.0	66.2	66.0			114.3
	80000	64.7	64.1	63.4	65.1	66.9	67.0	67.0	68.2	63.2	74.2	65.5	68.0	68.0	66.9			119.0
OVERALL MEASURED																		
OVERALL CALCULATED		91.2	94.3	95.1	95.3	95.6	96.3	96.7	98.2	99.0	100.9	100.4	101.0	101.9	104.3			140.3
PND		103.1	106.2	107.1	107.9	108.3	109.3	109.7	110.9	111.4	113.1	112.6	111.8	110.5	111.9			

MODEL SOUND PRESSURE LEVELS (59, DEG F, 70 PERCENT REL. HUM, DAY - JENOTS)
 ANGLES FROM INLET IN DEGREES (AND RADIANS)

SPL INPUT AT STD REV: ALPHA 12/73	FREQ	30° (0.52)	40° (0.70)	50° (0.87)	60° (1.05)	70° (1.22)	80° (1.40)	90° (1.57)	100° (1.75)	110° (1.92)	120° (2.09)	130° (2.27)	140° (2.44)	150° (2.62)	160° (2.79)	0° (0.0)	0° (0.0)	0° (0.0)	PWL
NO SGA	50	66.8	66.8	68.1	68.2	69.0	69.3	69.6	71.0	71.4	72.6	74.5	77.0	81.3	83.2				115.3
RDS: NO. 0	63	70.3	70.8	70.6	70.5	71.0	71.6	72.5	73.2	73.6	75.6	77.6	80.4	84.2	88.3				118.8
RADIAL 40, FT.	80	72.6	72.9	73.3	72.6	72.8	73.4	74.6	75.3	76.6	78.1	80.7	83.9	87.0	90.6				121.5
(12. M)	100	74.9	74.4	75.1	75.1	75.4	77.1	79.2	80.1	81.2	82.6	84.4	88.8	93.0	95.2				126.2
VEHICLE JENOTS	125	77.4	76.2	76.7	77.7	76.9	79.9	81.9	82.2	83.7	86.2	88.2	91.6	95.3	98.0				129.0
CONFIG JE=057	160	81.9	79.1	78.9	79.6	79.9	82.1	85.1	84.9	87.1	89.1	89.6	92.6	96.3	100.1				130.8
LOC EVENDALE	200	80.8	81.0	79.5	80.5	81.0	83.3	83.8	85.3	86.8	89.8	90.6	93.4	97.0	101.0				131.5
DATE 04=29=75	250	82.8	82.5	82.8	82.8	82.5	84.0	84.5	85.5	90.8	90.0	92.0	93.8	97.9	99.9				131.9
RUN DBTF=MODEL 6	315	84.0	83.0	82.8	84.0	85.0	85.7	84.3	88.0	87.5	89.8	92.5	93.9	97.9	102.0				132.6
TAPE X60340	400	81.4	79.4	80.3	82.6	84.1	84.2	85.0	87.1	88.5	91.3	89.8	96.3	99.2	97.8				132.1
BAR 29.2 HG	500	82.1	82.8	84.1	82.8	84.2	86.1	87.2	88.4	90.2	91.7	93.7	95.9	98.6	98.8				133.4
(98536, N/M2)	630	82.6	84.0	85.0	83.5	85.2	85.0	87.4	88.9	90.2	91.5	93.7	97.3	98.2	99.8				133.1
TAM3 73, DEG F	800	82.7	84.4	84.6	85.5	86.3	85.8	87.4	89.9	91.0	94.3	96.5	97.3	96.7	96.7				133.3
(296, DEG K)	1000	84.3	93.4	85.5	85.7	86.3	87.2	88.4	89.6	90.9	93.8	95.2	95.9	94.4	92.7				132.3
TWET 60, DEG F	1250	83.7	84.4	85.4	86.0	86.7	86.9	88.9	90.2	90.9	93.9	95.6	96.5	93.2	90.7				132.4
(289, DEG K)	1600	83.3	85.2	85.6	86.5	87.3	88.0	89.0	90.5	91.1	93.5	94.8	95.0	92.1	89.2				132.0
HACT 3, GY/M3	2000	85.3	84.8	85.0	87.4	88.2	88.6	88.8	90.6	91.0	94.1	95.2	94.5	91.3	89.5				132.1
(KG/M3)	2500	84.3	86.0	86.5	86.4	87.1	88.6	89.2	90.6	92.3	94.8	93.5	93.7	89.9	88.2				131.9
FREQ SHIFT	3150	83.8	87.1	87.7	88.7	89.3	90.3	90.2	91.6	93.0	96.3	93.9	93.3	90.3	88.1				133.0
JET 0	4000	83.1	87.4	88.6	90.0	90.3	91.5	91.8	93.9	94.0	96.8	93.2	92.0	89.2	87.9				133.7
DIAMETER RATIO	5000	85.2	90.4	92.3	92.3	92.9	93.5	93.9	95.2	96.2	98.7	93.9	93.0	90.7	89.8				135.6
DF/DX 1.00	6300	88.1	94.7	99.4	98.2	96.7	97.3	96.0	97.0	97.6	100.0	94.7	95.0	95.9	94.4				138.7
275B	8000	84.3	91.1	91.3	93.0	93.6	94.6	94.5	96.2	96.8	99.7	94.4	92.0	90.2	89.4				136.7
	10000	84.0	91.2	91.9	92.7	93.2	94.6	93.7	96.7	97.8	100.1	94.6	91.9	89.9	89.7				137.3
	12500	84.2	90.3	92.1	92.8	94.0	94.0	94.3	95.9	97.3	99.4	93.8	91.0	89.0	89.4				137.2
	16000	81.5	88.6	89.1	90.1	91.1	92.3	93.2	95.4	96.2	96.4	92.0	88.8	86.6	84.9				135.7
	20000	80.6	88.1	88.6	90.1	90.6	90.8	92.2	93.0	94.1	94.1	89.7	86.5	84.5	84.1				134.5
	25000	78.6	86.3	87.5	89.1	89.1	90.1	90.8	91.5	92.0	91.6	87.0	84.2	82.8	81.0				133.3
	31500	74.7	82.5	83.8	85.5	85.8	87.9	88.9	88.9	88.0	88.2	84.4	82.0	79.8	77.0				130.9
	40000	71.2	77.4	79.2	81.2	81.9	82.6	84.1	85.0	84.6	83.9	80.1	77.2	75.9	73.9				127.3
	50000	66.9	72.6	73.8	75.9	77.0	78.3	79.8	81.0	80.0	81.9	76.4	75.7	74.8	73.6				124.5
	63000	66.0	67.7	69.6	71.0	76.1	75.8	76.8	78.1	76.3	82.0	74.1	75.8	75.7	75.3				124.6
	80000	66.5	64.8	64.9	66.9	76.1	76.5	76.5	77.2	74.2	83.7	75.5	77.7	77.2	77.2				128.1
OVERALL MEASURED																			
OVERALL CALCULATED		97.3	101.4	103.4	103.6	103.8	104.6	104.8	106.4	107.3	109.5	107.3	108.2	108.7	110.1				148.2
PNDB		109.9	114.1	116.8	116.6	116.2	117.0	116.7	118.0	118.9	121.4	119.1	119.4	119.3	118.9				

ORIGINAL PAGE IS
OF POOR QUALITY

MODEL SOUND PRESSURE LEVELS (59, DEG; F, 70 PERCENT REL. HUM, DAY - JENOTS)

ANGLES FROM INLET IN DEGREES (AND RADIANs)

SPL INPUT AT STD	30,	40,	50,	60,	70,	80,	90,	100,	110,	120,	130,	140,	150,	160,	0,	0,	0,	PWL
REV: ALPHA 12/73	FREQ. (0.52)	(0.70)	(0.87)	(1.05)	(1.22)	(1.40)	(1.57)	(1.75)	(1.92)	(2.09)	(2.27)	(2.44)	(2.62)	(2.79)	(0,	(0,	(0,)
NO EGA	50	66.6	66.8	67.4	67.9	68.5	69.8	69.6	70.5	70.9	72.1	73.5	76.0	79.3	83.4			114.6
RDG. NO. 0	63	69.8	70.1	69.9	69.5	70.8	71.6	72.3	72.7	72.6	74.6	76.6	79.4	83.2	89.6			118.4
RADIAL 40, FT.	80	71.1	71.6	71.8	71.9	72.0	72.9	74.1	74.8	75.1	77.1	80.0	82.9	86.3	90.6			120.9
(12, M)	100	74.4	73.4	74.4	74.1	74.4	76.1	77.9	79.3	79.7	81.9	84.1	88.3	92.3	94.4			125.5
VEHICLE JENOTS	125	76.4	75.2	75.2	76.4	76.2	78.4	81.1	81.2	82.2	85.4	87.4	91.1	94.3	97.8			128.3
CONFIG JE-057	160	80.9	78.6	78.1	78.9	79.1	81.1	83.8	83.9	85.9	87.6	89.1	92.4	95.1	100.3			130.3
LOC EVEVALE	200	81.5	80.5	78.8	79.5	80.3	81.8	82.8	84.0	85.5	88.5	90.3	93.4	97.0	102.0			131.7
DATE 04-29-75	250	83.0	82.5	81.5	82.3	82.0	83.0	83.3	84.8	90.3	89.8	91.8	94.3	98.4	100.9			132.2
RUN DBTF-MODEL 6	315	84.5	82.5	81.5	82.8	84.3	84.9	83.5	87.5	87.0	89.5	92.0	93.4	98.4	103.8			133.1
TAPE X00360	400	80.9	78.4	79.5	81.4	82.9	82.7	83.8	86.1	87.5	90.3	89.3	95.8	98.7	98.6			131.7
BAR 29.2 HG	500	80.8	81.3	82.3	81.5	83.0	84.1	85.4	86.9	88.4	90.2	92.4	98.4	98.8	98.8			132.7
(98536, N/M2)	630	81.8	83.2	83.2	82.2	83.5	83.8	85.9	87.1	88.7	89.7	92.2	96.3	97.4	101.6			132.7
TMR 73, DEG F	800	81.7	82.9	83.1	84.3	84.0	84.3	85.4	88.1	89.3	92.5	94.7	96.0	95.5	96.0			131.8
(296, DEG K)	1000	82.8	81.4	84.0	84.2	84.5	85.4	87.2	87.3	88.9	91.6	92.5	94.7	92.9	91.4			130.4
THET 60, DEG F	1250	82.0	82.7	84.1	84.0	84.5	85.2	86.7	87.7	88.7	91.1	93.3	95.0	91.7	88.4			130.3
(289, DEG K)	1600	81.0	83.7	84.1	84.2	85.1	86.0	86.8	88.2	88.3	90.5	92.8	93.2	89.6	87.0			129.7
HACT 0, G4/M3	2000	83.1	83.3	83.8	85.9	86.2	87.1	87.3	87.8	88.2	90.4	91.2	92.3	88.3	85.8			129.4
(, KG/M3)	2500	82.5	84.5	86.0	85.9	86.3	87.4	87.7	88.9	89.8	91.1	91.0	91.4	87.4	85.5			129.7
FREQ. SHIFT	3150	82.3	85.9	86.2	87.9	88.0	89.3	89.0	89.8	89.8	92.6	90.9	90.1	87.5	86.6			130.5
JET 0	4000	81.6	86.9	87.9	88.5	90.1	91.5	91.8	92.4	92.0	93.8	91.2	89.2	86.7	85.2			132.1
DIAMETER RATIO	5000	84.9	90.4	94.0	94.3	93.4	94.0	93.4	93.7	93.5	95.9	92.4	91.8	89.7	91.3			134.8
DF/DM 1.00	6300	86.1	92.9	97.4	97.7	96.0	95.8	94.0	94.7	94.4	96.8	93.2	94.5	92.2	93.7			136.9
2750	8000	83.3	89.3	90.1	91.0	91.6	92.1	91.3	93.0	93.5	95.9	92.2	89.8	87.7	88.4			133.8
	10000	83.0	89.9	90.7	91.5	91.7	91.3	90.4	92.7	94.3	95.9	92.6	89.2	88.2	89.2			134.2
	12500	82.5	89.5	91.6	92.1	92.5	92.0	91.3	92.9	93.6	95.4	91.6	88.3	88.0	87.9			134.5
	16000	81.3	88.1	89.3	89.4	90.3	90.6	89.7	91.4	92.5	93.4	89.8	86.6	85.3	84.4			133.2
	20000	81.3	88.6	89.6	90.1	90.6	89.8	89.9	90.0	91.3	92.1	88.2	84.7	84.3	83.1			133.0
	25000	79.6	87.0	88.5	90.1	89.9	90.9	90.8	89.8	89.8	89.3	85.5	82.4	82.0	81.3			132.8
	31500	74.9	82.3	84.1	86.0	86.3	88.4	88.9	88.9	87.3	87.0	83.6	79.8	79.1	76.7			130.8
	40000	70.7	77.4	79.2	81.0	81.8	83.1	84.1	85.2	84.6	84.1	80.1	76.7	75.9	74.2			127.4
	50000	66.4	72.1	73.8	75.9	76.8	78.6	79.1	80.3	79.8	81.7	77.2	75.2	75.0	73.6			124.3
	63000	65.0	68.2	69.3	71.3	75.8	76.1	76.8	78.4	75.8	81.0	74.8	73.8	75.9	75.3			124.2
	80000	65.7	64.8	65.1	67.1	76.6	77.0	77.3	77.5	73.9	82.4	75.0	75.5	77.5	76.7			127.7
OVERALL MEASURED																		146.7
OVERALL CALCULATED																		
PND8	108.4	112.7	115.4	115.9	115.2	115.6	115.1	116.0	116.3	118.5	117.0	118.2	117.2	118.4				

REV: ALPHA 12/78	FREQ. (0.32)	30. (0.70)	40. (0.97)	50. (1.05)	60. (1.22)	70. (1.40)	80. (1.57)	90. (1.75)	100. (1.92)	120. (2.09)	130. (2.27)	140. (2.44)	150. (2.62)	160. (2.79)	180. (3.0)	200. (3.0)	220. (3.0)	PWL
NO EGA	50	66.6	67.1	68.6	70.7	70.0	69.3	69.6	71.0	71.6	72.8	74.8	77.3	81.3	85.0	89.0	93.0	115.8
RDG. NO. 0	60	69.8	70.6	71.2	71.7	72.0	72.4	73.3	73.4	73.6	76.1	78.3	81.6	85.2	89.0	92.9	96.9	120.1
RADIAL 40. FT.	100	72.9	72.9	73.8	73.9	73.5	73.4	73.3	76.1	77.3	79.0	82.0	85.6	88.0	91.6	95.5	99.3	122.9
12. M	125	75.2	74.4	75.2	75.7	75.4	76.9	79.0	80.1	81.2	83.2	85.2	89.1	93.5	97.7	101.6	105.5	126.7
VEHICLE JENOTS	150	77.5	76.7	76.2	77.7	76.7	79.7	82.2	82.0	82.3	86.7	87.7	91.6	95.0	99.1	103.0	106.9	129.1
CONFIG JENOTS	200	81.5	81.3	79.8	80.3	81.0	82.3	83.5	84.6	84.7	88.9	89.9	91.6	95.4	99.1	103.0	106.9	132.1
LOG EVELDALE	250	83.8	83.5	82.5	82.8	82.8	83.5	84.3	85.8	86.9	91.3	91.3	93.8	95.8	99.9	103.0	106.9	134.9
DATE 04-29-75	315	85.0	83.5	82.8	84.0	85.0	86.0	84.3	88.3	88.9	91.0	91.0	93.8	95.8	99.9	103.0	106.9	135.2
RUN DBTF-MODEL 6	400	81.4	79.2	80.6	82.2	84.2	85.0	85.0	87.1	89.1	91.6	90.8	96.8	100.2	103.0	106.9	110.8	135.6
YARE M60370	500	81.8	82.6	83.8	83.0	84.2	85.4	87.0	88.7	89.7	91.7	93.7	98.9	99.6	101.6	103.6	105.6	133.6
BAR 29.9 HG	630	82.3	83.7	84.2	83.2	84.2	84.5	86.9	88.4	89.9	91.5	93.7	97.1	98.7	101.8	103.8	105.8	133.6
201039, N/M2	800	82.0	83.4	84.4	85.0	85.8	85.8	87.2	89.9	90.8	94.5	96.0	97.5	96.5	96.2	96.2	96.2	133.6
TARB 59. DEG F	1000	83.1	82.9	84.8	84.9	85.8	86.4	87.9	89.1	90.4	94.1	94.5	94.7	93.4	93.4	93.4	93.4	134.4
(268, DEG K)	1250	82.2	83.7	84.7	84.8	85.3	86.4	87.9	89.1	90.4	93.6	94.8	95.5	90.7	88.4	88.4	88.4	134.4
WRET 53. DEG F	1600	82.1	84.5	84.7	85.3	85.8	87.3	87.8	89.5	90.1	92.8	93.8	93.2	89.9	87.2	87.2	87.2	130.7
(283, DEG K)	2000	83.8	83.3	84.8	86.4	87.0	87.9	88.5	89.8	91.0	92.9	93.2	92.3	89.1	87.3	87.3	87.3	130.7
HACT 8.91 GH/M3	2500	83.3	84.0	85.7	85.2	86.3	87.4	88.7	90.2	92.0	93.0	91.5	91.7	87.4	86.0	86.0	86.0	130.6
100891 KG/M3	3150	82.5	85.4	85.8	86.4	87.6	88.6	89.5	91.4	93.0	95.4	91.7	91.9	87.8	86.4	86.4	86.4	131.6
FREQ. SHIFT	4000	81.9	83.4	86.2	87.3	89.1	90.0	90.8	92.9	94.8	96.4	91.0	89.5	86.5	86.2	86.2	86.2	132.6
JET	5000	82.3	86.3	87.6	88.6	90.3	91.8	92.8	94.7	97.6	98.2	91.7	90.1	87.2	86.1	86.1	86.1	134.4
DIAMETER RATIO	6300	82.9	88.0	89.2	90.8	92.3	93.2	93.8	95.8	98.2	98.4	91.6	90.4	87.5	86.3	86.3	86.3	135.4
BF/DM 1.00	8060	82.4	88.0	88.5	90.7	92.5	93.8	94.2	96.1	98.2	98.6	92.6	90.2	87.1	85.8	85.8	85.8	136.0
	10000	82.7	88.1	88.9	91.2	92.6	93.8	94.2	96.1	99.1	99.9	92.6	89.7	86.6	85.7	85.7	85.7	136.8
	12500	83.2	89.6	91.4	91.6	92.3	93.2	94.6	98.1	98.8	97.9	92.1	88.8	87.0	85.6	85.6	85.6	137.0
	15000	82.9	88.7	92.2	92.10	92.9	93.7	94.5	97.5	98.5	96.2	91.1	88.7	87.7	86.3	86.3	86.3	137.0
275D	20000	79.9	86.5	90.2	91.0	90.5	91.5	93.6	96.9	97.2	93.7	90.6	86.9	85.2	84.0	84.0	84.0	136.1
	25000	75.9	82.4	85.6	86.5	86.3	88.0	90.7	94.2	94.2	93.7	88.2	85.1	82.9	80.6	80.6	80.6	133.8
	31500	71.6	77.9	80.7	81.6	81.5	84.3	86.6	89.5	89.4	89.2	85.0	81.9	79.2	75.5	75.5	75.5	130.0
	40000	67.6	74.0	76.5	77.3	77.4	78.7	81.1	84.3	84.9	83.1	78.9	75.6	74.0	72.1	72.1	72.1	125.3
	50000	64.4	68.8	71.3	72.4	71.8	74.8	76.9	80.1	80.6	78.9	75.7	73.9	72.5	72.1	72.1	72.1	122.4
	63000	64.2	65.9	67.0	68.2	68.5	73.5	75.0	78.1	77.5	75.9	75.7	75.2	74.2	73.0	73.0	73.0	122.5
	80000	65.3	64.4	64.0	66.0	67.2	74.6	75.6	78.1	76.2	76.0	77.1	76.6	76.8	76.8	76.8	76.8	125.8
OVERALL MEASURED																		147.9
OVERALL CALCULATED		96.2	99.1	100.6	101.4	102.4	103.4	104.5	107.2	108.4	108.8	106.4	107.8	109.0	111.8			
PNDB		107.9	110.3	111.2	112.4	113.7	114.6	115.5	117.5	119.4	120.8	117.6	117.9	117.1	119.2			

ORIGINAL PAGE IS
 OF POOR QUALITY

REV, ALPHA 12478	FREQ.	30.	40.	50.	60.	70.	80.	90.	100.	110.	120.	130.	140.	150.	160.	PHL
		(0.32)	(0.70)	(0.87)	(1.03)	(1.22)	(1.40)	(1.57)	(1.75)	(1.92)	(2.09)	(2.27)	(2.44)	(2.62)	(2.79)	
BDG. NO.	80	72.1	73.3	74.6	76.4	76.7	74.6	74.1	74.8	75.6	82.3	79.0	82.0	85.3	88.7	120.6
RADIAL (40' FT)	100	75.1	75.3	76.4	78.0	77.8	77.9	76.8	77.2	77.6	87.1	82.1	86.1	89.2	93.3	124.4
VEHICLE JENOTS	150	76.9	77.7	78.3	78.6	79.0	77.9	78.8	79.3	80.8	85.6	86.5	90.1	93.5	96.4	127.0
CCNFIG JE4057	200	82.7	81.7	81.7	83.0	81.7	84.0	86.7	86.2	87.2	92.0	92.5	96.4	99.9	103.0	133.5
DATE 04-29-75	315	86.8	86.3	84.8	85.4	85.3	86.7	88.3	88.3	89.0	93.1	93.8	98.1	101.6	104.1	138.3
RUN DBTF-MODEL 6	400	86.9	85.0	86.1	87.7	88.2	89.0	90.0	90.0	93.3	93.3	97.5	103.5	108.8	110.5	141.8
YARE X60410	500	88.1	88.3	89.3	88.0	88.9	89.1	91.7	93.7	93.2	96.9	97.5	103.5	108.8	110.5	140.3
BAR 29.9 HG	650	88.1	89.0	89.0	87.7	88.7	89.0	91.9	94.4	95.7	97.7	100.0	105.6	108.8	110.5	140.0
401039 N/M2	800	87.2	88.4	89.1	89.5	90.3	90.3	91.9	94.6	96.0	100.0	102.5	104.3	106.1	107.7	139.0
YAMB 59 DEG F	1000	88.1	87.4	89.5	89.2	89.5	90.7	92.9	94.8	95.9	99.1	101.0	100.9	100.4	97.9	137.3
(288 DEG K)	1250	87.5	87.9	88.6	89.3	90.0	90.7	92.4	94.2	95.4	99.1	101.3	101.3	97.2	95.2	138.3
WWT 53 DEG F	1600	86.8	88.2	88.4	89.2	89.6	91.2	92.8	94.2	95.6	98.3	99.8	99.0	95.1	93.2	135.9
(285 DEG K)	2000	87.8	87.8	88.3	90.2	90.5	91.6	92.6	93.8	95.2	97.9	98.9	98.3	95.1	92.9	135.5
WABT 8.91 GM/M3	2500	86.8	88.0	89.2	88.2	89.8	90.7	92.2	93.9	96.0	97.6	97.5	97.4	94.2	91.0	135.0
4.00891 KG/M3	3150	86.0	88.1	88.3	89.4	90.6	91.3	92.5	94.6	96.0	97.8	96.7	96.1	93.3	92.1	135.0
FREQ. SHIFT	4000	84.9	87.4	88.4	89.5	90.6	92.3	93.1	95.7	98.0	97.8	96.0	93.3	90.0	90.7	135.3
JET 0	5000	84.7	87.7	88.8	89.8	91.3	92.3	94.8	97.2	99.8	97.7	95.0	93.3	90.0	90.8	136.4
DIAMETER RATIO	6300	84.7	89.3	90.2	92.3	93.6	95.4	95.3	97.6	100.0	97.9	95.3	94.9	92.8	89.8	137.1
DF/DM 1.00	8000	84.7	88.7	90.5	92.4	94.5	95.8	96.2	98.4	101.4	98.4	94.9	94.2	91.8	89.3	137.6
	10000	84.9	89.9	91.4	93.2	95.1	95.6	96.9	98.5	101.8	98.1	94.6	92.9	90.0	89.1	138.0
	12500	84.5	90.1	91.9	93.1	95.0	95.3	97.1	99.3	101.1	98.1	94.6	92.3	89.8	88.5	138.1
	16000	81.9	87.2	89.2	90.7	92.9	94.7	96.1	97.3	99.3	97.5	93.1	90.9	88.0	85.7	138.1
277	20000	78.9	85.0	86.9	88.7	90.5	92.7	94.8	97.6	98.5	95.5	90.9	88.4	85.7	83.0	138.1
	25000	76.7	83.9	85.6	87.5	89.0	90.0	92.2	95.2	96.2	93.6	88.1	86.3	84.4	81.9	138.1
	31500	72.3	79.1	81.4	83.1	83.7	86.8	88.6	91.5	94.2	93.6	85.3	83.6	81.7	79.3	138.1
	40000	69.3	75.3	77.3	79.3	79.9	81.9	83.9	86.3	88.1	84.5	80.8	79.8	77.7	75.0	138.1
	50000	66.4	70.9	72.6	74.9	76.0	77.8	79.9	82.8	83.1	81.2	77.9	76.8	74.8	72.7	138.1
	63000	65.4	66.6	68.3	70.5	73.0	74.5	77.3	79.8	80.5	80.4	76.0	74.0	72.5	70.9	138.1
	80000	65.8	64.9	64.7	67.0	75.5	75.1	76.4	78.8	77.7	81.2	77.3	86.3	85.6	86.8	138.1
OVERALL MEASURED																
OVERALL CALCULATED		100.8	101.6	102.6	103.6	104.8	105.9	107.2	109.8	111.4	111.6	112.0	114.0	116.1	116.9	131.8
PMB		131.8	113.3	113.9	113.1	116.1	117.5	118.3	126.6	122.7	123.2	122.9	123.7	123.9	124.1	

PRECEDING PAGE BLANK NOT FILMED

ORIGINAL PAGE IS OF POOR QUALITY

REV. ALPHA 12/73	FREQ	ANGLES FROM INLET IN DEGREES (AND RADIANs)																PWL	
		30.	40.	50.	60.	70.	80.	90.	100.	110.	120.	130.	140.	150.	160.	0.	0.		0.
NO EGA	50	60.3	61.3	61.9	61.4	61.7	61.6	62.6	63.5	63.6	64.3	64.8	66.8	69.6	70.7				105.3
RDG. NO. 0	63	61.3	61.8	62.9	62.7	63.3	63.7	64.5	65.4	65.1	66.8	67.3	69.4	73.0	75.1				107.9
RADIAL 40. FT.	80	62.9	63.9	64.5	64.1	64.5	65.2	66.8	67.6	67.8	69.9	71.0	73.6	76.3	78.6				111.0
(12. M)	100	66.2	65.7	66.4	65.7	66.9	68.7	71.0	72.1	72.5	74.2	75.2	78.8	82.5	83.4				115.8
VEHICLE JENOTS:	125	68.5	67.5	67.5	68.5	68.7	71.2	73.4	73.7	74.7	77.0	78.7	81.9	84.8	87.5				118.8
CONFIG JE-057	160	72.4	70.2	70.4	70.9	71.2	73.9	76.1	75.9	78.2	79.7	80.2	82.9	86.1	89.4				120.7
LOC EVENDALE	200	74.8	74.5	72.5	73.3	74.3	75.8	76.3	77.8	79.0	81.5	82.8	86.1	88.5	93.0				123.4
DATE 04-29-75	250	78.5	78.0	76.8	78.0	78.3	78.3	79.0	80.3	85.5	84.8	86.5	87.5	91.4	94.9				126.2
RUN DBTF-MODEL 6.	315	82.3	80.5	79.5	80.3	82.0	83.5	81.5	85.0	85.0	86.3	87.5	88.6	92.2	97.8				128.1
TAPE X60420	400	77.9	74.2	77.1	77.7	80.7	79.7	81.3	82.8	83.3	84.1	83.0	88.5	91.2	91.9				125.3
BAR 29.9 HG	500	74.3	75.8	77.3	75.8	76.7	78.4	79.7	80.7	81.7	82.7	84.7	89.9	91.3	93.8				125.6
(01039. N/M2)	630	76.1	77.7	79.2	77.7	79.5	79.0	81.4	81.9	82.7	83.0	84.2	89.1	91.4	95.6				126.3
TAMB 59. DEG F	800	77.0	78.7	78.4	78.8	79.5	79.3	80.4	82.4	83.3	85.8	87.7	89.3	90.2	93.5				126.1
(288. DEG K)	1000	79.1	78.1	79.5	78.6	79.5	80.7	82.4	83.1	83.6	85.6	86.5	88.7	89.6	89.9				125.4
THET 53. DEG F	1250	77.7	77.4	78.6	78.3	79.5	79.9	81.9	83.2	83.7	85.6	87.1	89.5	88.7	87.2				125.2
(285. DEG K)	1600	76.5	78.2	78.2	78.2	79.6	81.0	81.3	82.0	82.8	85.0	86.6	87.5	85.9	84.7				124.1
HACT 8.91 GM/M3	2000	78.1	77.6	77.0	78.6	79.2	80.1	80.5	81.6	82.2	83.6	85.7	86.7	83.8	82.3				123.2
(.00891 KG/M3)	2500	77.0	77.3	77.7	76.4	77.6	78.6	79.7	81.1	82.0	83.5	84.5	85.7	81.6	79.9				122.3
FREQ. SHIFT	3150	75.2	76.6	76.2	76.6	77.3	77.5	78.7	80.0	80.7	82.8	83.6	84.8	80.7	78.0				121.4
JET 0	4000	73.5	74.8	75.8	75.7	76.2	77.7	78.5	79.8	80.1	82.0	82.6	82.4	78.4	76.6				120.5
DIAMETER RATIO	5000	73.1	75.4	75.4	75.2	76.4	77.2	77.9	79.9	80.4	81.6	82.1	82.7	77.8	75.9				120.3
DF/DM 1.00	6300	72.2	74.6	75.0	75.6	76.6	77.7	77.9	79.1	80.3	81.4	81.1	80.4	77.3	75.3				120.0
	8000	71.3	74.4	74.9	75.1	76.6	77.5	77.6	79.3	80.1	82.3	83.5	80.8	78.0	76.8				120.8
	10000	70.5	73.4	73.7	74.5	75.4	76.1	76.4	78.7	79.8	81.6	82.8	80.9	77.6	76.5				120.5
	12500	68.1	71.2	71.5	72.0	73.4	74.6	74.7	77.0	77.5	79.8	79.7	78.7	74.9	72.8				118.5
	16000	65.6	68.4	68.9	69.2	71.4	72.2	72.8	74.5	75.0	76.7	76.8	75.4	71.9	69.2				116.2
	20000	62.1	64.6	65.6	66.4	67.4	68.6	69.9	72.0	73.1	74.1	73.8	71.5	68.8	66.6				113.8
	25000	58.0	61.5	62.5	63.8	64.1	65.1	66.5	68.0	69.0	71.0	69.5	68.4	65.5	63.2				110.7
	31500	53.9	57.0	57.8	59.0	59.0	62.3	62.7	64.4	65.0	67.5	65.9	64.2	61.8	59.4				107.5
	40000	50.8	53.2	53.0	53.8	55.1	66.6	66.8	59.2	59.6	63.1	61.6	60.5	59.2	58.7				105.5
	50000	50.7	50.7	50.4	51.2	52.9	58.7	53.2	55.1	54.7	63.1	61.1	61.5	59.9	61.0				104.0
	63000	53.1	52.1	51.7	52.0	54.8	61.0	53.0	55.3	53.5	66.2	63.0	63.4	62.6	63.7				108.1
	80000	54.6	52.7	52.7	53.5	56.5	63.3	54.6	57.8	54.5	70.0	65.3	65.5	65.3	65.7				113.9
OVERALL MEASURED																			
OVERALL CALCULATED		89.6	89.7	90.0	90.1	91.3	92.1	92.8	94.3	95.3	96.7	97.9	99.8	101.0	104.0				137.2
PNDB		100.9	101.6	101.8	101.9	102.8	103.5	104.4	105.8	106.7	108.3	109.3	110.7	109.2	111.3				

278

615

REV. ALPHA 12/73	FREQ.	ANGLES FROM INLET IN DEGREES (AND RADIANS)																		PWL
		30. (0.52)	40. (0.70)	50. (0.87)	60. (1.05)	70. (1.22)	80. (1.40)	90. (1.57)	100. (1.75)	110. (1.92)	120. (2.09)	130. (2.27)	140. (2.44)	150. (2.62)	160. (2.79)	0. (0.)	0. (0.)	0. (0.)		
NO EGA	50	60.1	61.1	60.9	60.9	62.0	61.6	62.1	63.8	63.4	64.6	66.0	67.5	70.8	73.2				106.1	
RDG. NO. 0	63	62.1	62.8	63.2	63.0	63.8	63.7	64.8	65.4	65.4	67.6	68.8	70.6	74.0	80.1				110.0	
RADIAL 40 FT	80	63.9	64.6	64.8	64.4	64.8	65.4	67.1	67.6	68.8	70.4	72.0	74.6	77.0	81.1				112.2	
(12. M)	100	66.4	66.4	67.2	66.4	67.4	68.7	71.0	72.6	73.0	74.4	76.2	80.0	83.8	85.9				117.2	
VEHICLE JENOTS:	125	68.7	68.0	67.7	69.2	69.0	71.7	73.7	74.5	75.2	78.2	79.5	83.1	86.0	90.3				120.4	
CONFIG JE-057	160	72.9	70.7	70.4	71.4	72.2	74.4	76.4	76.9	78.7	80.7	80.9	84.4	87.4	92.1				122.3	
LOC EVENDALE	200	75.5	75.3	73.5	73.5	74.0	75.8	77.3	78.5	79.3	82.0	83.1	86.9	89.5	94.3				124.3	
DATE 04-29-75	250	78.0	78.0	77.3	77.8	78.0	78.5	78.8	80.8	86.0	85.5	86.8	87.8	91.4	93.9				126.1	
RUN DBTF-MODEL 6	315	81.3	80.0	78.8	79.8	81.5	83.5	81.8	86.0	85.5	86.8	87.5	88.9	91.7	97.3				128.0	
TAPE X60430	400	76.7	74.2	77.8	77.7	79.4	79.5	80.3	82.1	82.8	84.3	83.0	88.0	91.2	91.6				125.0	
BAR 29.9 HG	500	74.6	75.8	77.1	77.0	76.7	78.4	79.7	80.7	81.9	82.9	84.5	90.6	91.3	93.6				125.7	
(01039, N/M2)	630	75.8	77.2	78.7	77.2	79.2	79.0	80.6	81.6	82.4	82.7	84.5	88.8	90.4	94.8				125.7	
TAMB 59 DEG F	800	77.2	77.9	77.9	78.5	79.3	78.8	79.7	82.4	82.8	85.5	87.7	89.3	90.0	92.5				125.7	
(288, DEG K)	1000	78.3	77.4	78.5	78.1	79.3	80.4	81.9	82.6	83.1	85.3	85.5	88.9	88.6	87.9				124.8	
THET 53, DEG F	1250	76.5	76.7	78.1	77.8	79.0	79.9	81.4	82.7	82.7	84.6	86.6	86.9	87.4	84.9				124.6	
(285, DEG K)	1600	76.5	77.5	78.2	77.7	79.1	80.0	81.3	82.0	81.8	84.2	85.8	86.7	84.9	82.2				123.3	
HACT 8.91 GM/M3	2000	77.8	78.8	76.5	78.6	79.5	79.3	80.0	81.1	81.7	83.4	84.9	85.7	82.8	81.3				122.6	
(.00891 KG/M3)	2500	76.5	77.3	77.5	76.4	77.8	78.1	79.2	80.6	81.5	83.0	83.7	84.7	80.9	78.5				121.7	
FREQ. SHIFT	3150	75.2	77.1	76.7	77.1	77.8	78.5	79.2	80.5	80.5	82.8	83.3	83.5	79.0	77.1				121.3	
JET 0	4000	74.0	76.0	75.3	76.2	77.2	78.2	78.7	80.3	80.6	82.2	83.1	82.1	77.4	75.6				120.8	
DIAMETER RATIO	5000	72.8	75.8	75.7	76.2	76.6	77.9	78.6	80.1	80.7	82.1	83.5	81.7	76.8	75.7				120.7	
DF/DM 1.00	6300	72.2	75.5	75.7	76.1	77.1	78.2	78.1	79.6	80.3	81.4	80.3	80.2	76.3	74.8				120.0	
	8000	71.3	75.4	75.6	75.6	76.9	77.4	78.3	80.0	81.4	83.7	83.3	79.8	76.0	75.7				121.2	
	10000	70.9	75.1	75.9	75.9	76.6	77.0	77.2	79.7	80.6	82.8	84.8	78.4	76.6	75.5				121.4	
	12500	69.3	73.6	74.2	73.7	74.6	75.1	75.6	77.2	78.7	81.0	82.4	76.6	74.1	73.2				119.6	
	16000	66.5	70.3	70.6	70.1	71.3	71.6	72.9	74.4	75.5	77.1	77.8	73.8	71.1	69.2				116.5	
	20000	62.2	66.3	66.7	67.0	67.3	68.2	69.4	70.9	72.5	74.0	74.2	69.7	67.2	65.0				113.4	
	25000	58.9	63.1	63.4	63.7	64.0	64.7	65.9	67.1	68.4	69.7	69.4	66.1	63.7	62.1				110.8	
	31500	54.3	58.4	58.4	59.1	58.7	64.2	62.3	63.3	63.9	66.1	65.8	61.9	60.9	58.3				106.9	
	40000	52.4	54.6	54.4	54.9	55.0	64.0	56.7	58.4	59.0	62.3	61.0	58.7	58.6	58.6				104.3	
	50000	51.4	51.6	50.9	52.4	53.6	65.9	53.4	54.6	54.9	63.8	61.5	61.2	59.8	60.7				105.9	
	63000	52.9	52.1	51.2	53.4	54.7	63.0	53.2	55.5	53.5	66.1	63.2	63.7	62.6	63.7				108.5	
	80000	54.6	52.7	52.7	54.2	56.0	58.1	54.9	57.1	54.5	68.5	64.8	65.6	64.8	65.8				112.9	
OVERALL MEASURED		89.2	89.7	90.0	90.1	91.2	92.0	92.7	94.4	95.3	96.9	97.9	99.8	100.8	103.8				137.1	
OVERALL CALCULATED		89.2	89.7	90.0	90.1	91.2	92.0	92.7	94.4	95.3	96.9	97.9	99.8	100.8	103.8				137.1	
PNDR		100.7	101.8	101.9	102.1	103.0	103.8	104.6	106.1	106.6	108.4	109.3	110.2	108.8	110.9					

279

619

ORIGINAL PAGE IS
 OF POOR QUALITY

ANGLES FROM INLET IN DEGREES (AND RADIANS)

REV.	ALPHA 12/73	FREQ.	30. (0.52)	40. (0.70)	50. (0.87)	60. (1.05)	70. (1.22)	80. (1.40)	90. (1.57)	100. (1.75)	110. (1.92)	120. (2.09)	130. (2.27)	140. (2.44)	150. (2.62)	160. (2.79)	0.	0.	0.	PWL
	NO EGA	50	60.1	60.3	60.6	60.9	61.7	62.3	63.4	64.5	64.9	66.6	68.3	70.8	73.3	78.7				108.9
	RDG. NO. 0.	63	62.6	63.1	62.9	63.5	64.0	64.4	65.5	66.4	67.4	69.3	70.8	74.1	77.0	85.3				113.7
	RADIAL 40. FT.	80	64.6	65.1	65.3	64.6	65.5	65.9	67.3	68.6	69.8	71.9	74.2	77.6	79.8	86.1				115.4
	(12. M)	100	67.9	67.2	67.9	66.9	67.4	68.9	71.7	73.3	73.7	75.7	78.2	82.3	85.3	89.4				119.4
	VEHICLE JENOTS:	125	71.5	70.0	69.5	70.2	70.0	72.7	74.9	75.5	76.5	79.5	81.7	85.1	87.8	94.5				123.3
	CONFIG JE-057	160	75.9	73.7	72.9	72.9	74.2	75.4	77.9	78.4	80.2	82.2	83.4	86.7	89.4	96.9				125.5
	LOC EVENDALE	200	76.5	76.5	74.3	74.5	75.0	77.0	77.8	79.5	80.8	84.0	86.6	90.4	93.0	97.0				127.1
	DATE 04-29-75	250	80.8	80.3	79.0	80.0	79.5	79.8	80.5	82.5	88.8	89.5	92.5	93.3	97.4	98.4				130.7
	RUN DBTF-MODEL 6.	315	84.5	82.8	80.8	82.0	84.5	85.0	83.3	88.3	89.0	91.3	93.0	94.6	98.7	102.8				133.1
	TAPE X60468	400	82.9	78.5	83.8	84.2	86.4	85.0	87.3	88.8	90.1	91.8	91.0	95.5	99.0	99.4				132.5
	BAR 29.9 HG	500	77.8	78.3	79.6	78.8	79.2	80.1	82.2	83.2	84.9	86.7	89.5	96.4	98.6	98.3				131.0
	(01039, N/M2)	630	79.1	79.2	80.5	78.5	80.7	80.0	82.6	83.9	85.7	87.5	90.2	95.1	97.7	101.1				131.5
	TAMB 59, DEG F	800	78.7	79.7	79.9	80.0	80.8	80.5	82.2	84.6	86.3	89.5	92.5	94.8	95.5	97.7				130.3
	(288, DEG K)	1000	79.8	78.6	80.3	79.9	80.8	81.2	83.4	84.8	86.4	89.6	91.2	92.7	92.8	92.9				128.6
	TWET 53, DEG F	1250	78.7	78.4	79.9	79.0	80.7	81.9	83.4	84.9	85.4	88.9	92.1	95.5	92.2	89.4				129.0
	(285, DEG K)	1600	77.5	78.7	78.9	79.5	80.8	82.0	83.3	84.7	85.3	88.2	90.8	91.5	89.4	86.5				127.1
	HACT 8.91 GM/M3	2000	78.3	77.8	78.3	80.1	80.7	81.6	82.8	84.1	85.5	87.6	89.7	90.0	86.6	85.0				126.1
	(.00891 KG/M3)	2500	77.0	77.5	78.0	77.7	79.1	80.4	80.9	83.4	85.0	87.0	87.5	88.9	84.4	82.0				124.9
	FREQ. SHIFT	3150	75.2	77.1	77.2	77.6	78.5	79.5	80.4	82.5	82.2	85.8	87.1	87.3	83.0	80.6				123.9
	JET 0	4000	73.3	75.3	75.3	75.9	77.2	78.4	79.7	81.5	82.6	85.0	85.1	84.1	79.1	76.9				122.4
	DIAMETER RATIO	5000	73.6	75.1	75.4	75.7	76.1	77.7	79.4	81.4	82.4	84.6	84.3	83.0	77.1	75.2				121.8
	DF/DM 1.00	6300	74.5	75.5	75.2	75.6	76.6	78.2	78.6	80.6	81.3	82.9	82.6	80.9	76.6	75.3				120.9
		8000	71.1	73.9	74.4	74.4	75.9	76.7	77.6	79.5	80.6	82.5	81.0	78.3	74.5	73.0				120.0
		10000	70.2	73.4	73.9	74.2	74.9	75.5	76.4	78.5	79.3	80.8	80.3	76.2	73.4	72.5				119.1
		12500	68.6	70.9	72.2	71.9	72.3	73.3	74.6	76.7	77.7	79.0	78.2	74.9	71.1	71.0				117.6
		16000	66.3	68.3	68.8	68.4	70.1	71.1	72.4	74.9	75.5	76.6	75.3	72.1	68.3	67.4				115.6
		20000	62.7	64.3	65.2	65.3	66.5	67.7	69.4	71.6	73.0	73.8	72.7	68.4	65.2	65.0				113.0
		25000	59.7	61.6	61.9	62.0	62.7	64.5	65.6	68.4	69.6	70.2	68.4	65.3	62.2	66.1				110.1
		31500	55.1	57.6	57.7	57.1	57.9	61.2	61.6	64.3	64.9	66.6	64.5	61.9	58.9	65.3				106.8
		40000	53.7	54.4	52.9	53.4	54.2	57.3	55.7	60.4	61.0	63.1	60.5	59.4	57.4	66.9				104.4
		50000	51.2	51.9	50.1	51.9	53.3	55.6	51.9	61.3	59.9	64.8	61.5	62.2	58.6	69.4				106.4
		63000	51.1	52.3	51.0	53.9	55.0	57.0	52.2	64.5	62.0	68.1	63.7	64.4	61.4	72.2				111.0
		80000	52.1	52.9	52.0	54.2	56.5	62.3	54.4	66.3	63.8	70.0	65.3	67.1	63.6	74.8				116.2
	OVERALL MEASURED																			
	OVERALL CALCULATED		91.5	91.0	91.6	91.8	93.2	93.6	94.8	96.8	98.3	100.5	102.3	104.9	106.7	108.9				141.4
	PNDR		101.9	102.4	102.7	103.0	104.1	104.9	106.1	108.0	109.4	111.6	112.9	114.2	113.9	115.5				

280

0-4

62.2

REV. ALPHA 12/73	FREQ	ANGLES FROM INLET IN DEGREES (AND RADIANS)															PHL:		
		30. (0.52)	40. (0.70)	50. (0.87)	60. (1.05)	70. (1.22)	80. (1.40)	90. (1.57)	100. (1.75)	110. (1.92)	120. (2.09)	130. (2.27)	140. (2.44)	150. (2.62)	160. (2.79)	0. (0.0)		0. (0.0)	0. (0.0)
NO EGA	50	61.8	61.8	62.9	62.4	63.7	64.3	63.6	64.5	65.4	67.1	69.8	72.3	75.3	79.7				110.2
RDG, NO, 0	63	64.6	64.6	65.2	65.2	66.0	66.4	66.5	67.4	68.1	70.8	73.6	76.4	78.7	82.8				113.5
RADIAL 40. FT.	80	67.1	67.6	67.5	66.9	67.3	68.2	69.3	70.3	70.8	73.6	76.5	79.6	81.8	84.9				116.1
(12. M)	100	70.2	69.4	70.2	69.4	69.9	72.4	74.2	75.8	75.7	77.9	80.2	84.3	87.8	89.2				120.9
VEHICLE JENOTS	125	73.0	71.7	72.0	72.0	72.5	75.7	76.7	77.2	78.2	80.7	83.0	86.6	89.0	91.5				123.0
CONFIG JE-057	160	79.7	76.9	75.7	75.9	76.7	78.2	80.4	80.2	82.2	84.7	85.9	89.2	91.1	94.9				126.0
LOC EVENDALE	200	79.0	78.5	76.0	77.3	78.0	79.0	79.8	81.3	83.0	87.5	90.1	93.9	95.7	99.0				129.8
DATE 04-29-75	250	83.0	81.5	80.5	80.5	80.5	81.5	82.0	84.3	90.0	91.5	94.8	96.5	99.4	99.9				132.8
RUN DBTF-MODEL 8.	315	87.5	85.0	84.0	84.5	86.0	87.7	85.8	90.5	91.5	95.8	98.5	99.4	103.4	106.8				137.3
TAPE X60496	400	84.9	81.2	82.8	85.9	86.9	87.0	89.1	90.8	92.1	95.1	96.0	101.3	103.5	103.1				136.5
BAR 29.0 HG	500	83.8	83.8	84.6	83.3	84.0	85.1	86.7	88.7	89.7	91.9	95.5	102.9	104.8	102.8				136.9
(01039, N/M2)	630	85.3	85.0	85.5	83.7	85.2	85.3	87.1	88.9	91.4	92.7	97.5	103.1	104.2	107.1				138.0
TAMB 59. DEG F	800	85.0	84.7	84.9	85.0	85.3	85.3	86.4	89.6	90.8	94.3	98.5	101.5	102.2	105.5				136.9
(288, DEG K)	1000	86.8	84.4	85.8	84.6	84.8	86.2	88.4	90.1	91.4	95.1	97.7	99.7	100.8	101.9				135.4
TWET 53. DEG F	1250	84.7	84.4	84.6	84.8	85.5	86.7	88.9	90.2	90.9	95.1	98.6	100.7	99.9	98.9				135.2
(285, DEG K)	1600	82.8	84.0	83.9	84.2	85.8	87.0	88.3	90.5	91.3	94.2	97.6	97.7	97.6	96.5				133.7
HACT 8.91 GM/M3	2000	83.8	83.1	82.8	85.6	86.7	87.1	88.0	89.8	92.7	94.1	96.2	96.7	94.8	96.0				132.8
(.00891 KG/M3)	2500	82.3	83.0	83.2	82.9	84.1	85.4	86.9	89.1	91.2	93.3	94.2	94.9	91.9	92.7				131.2
FREQ. SHIFT	3150	80.7	81.8	82.2	83.1	83.8	84.8	85.9	88.5	89.7	92.5	93.3	93.0	90.7	90.5				130.2
JET 0	4000	78.3	79.5	79.8	80.9	82.0	83.7	84.7	87.3	88.4	91.2	91.4	90.1	86.9	86.6				128.3
DIAMETER RATIO	5000	77.3	78.9	78.9	79.9	81.1	82.9	84.6	87.1	88.7	90.8	90.3	89.0	84.6	82.9				127.7
DF/DH 1.00	6300	75.7	78.1	78.2	79.8	81.4	82.7	83.4	85.9	87.5	89.2	88.9	86.7	82.3	79.8				126.5
	8000	75.1	77.1	77.2	78.9	80.1	81.7	82.9	85.3	86.1	88.3	87.3	84.6	81.0	77.8				125.5
	10000	74.2	75.7	76.4	77.7	79.2	79.8	81.7	84.5	85.3	86.9	86.3	82.2	79.1	76.2				124.7
	12500	71.9	73.7	74.3	75.5	76.9	78.6	80.2	83.3	84.0	85.6	84.0	81.4	76.6	74.3				123.4
	16000	68.9	71.2	71.7	72.5	74.6	76.4	78.3	80.5	82.3	82.9	81.8	78.9	74.6	71.5				121.6
	20000	65.6	67.4	68.1	68.9	70.9	72.8	74.9	77.0	79.3	80.3	79.0	76.0	71.6	68.9				119.0
	25000	61.5	64.2	65.0	65.6	67.1	69.6	71.5	73.7	75.7	76.3	75.0	72.9	69.8	68.5				115.9
	31500	56.4	59.2	59.3	60.5	61.5	65.1	67.2	69.9	70.3	72.2	71.6	69.7	67.8	66.4				112.3
	40000	53.0	54.5	55.0	55.5	56.8	59.9	61.6	64.0	65.3	66.6	68.8	68.2	67.2	68.2				109.3
	50000	52.7	51.9	51.2	52.2	53.1	59.4	60.5	62.6	61.7	66.6	71.3	71.3	70.1	71.0				111.6
	63000	54.6	52.6	52.0	53.0	53.5	62.0	62.5	65.1	62.5	68.7	73.7	73.7	72.6	73.4				115.9
	80000	55.3	53.2	52.7	53.5	55.0	64.1	64.9	67.6	64.2	71.0	75.8	76.0	75.0	75.5				121.1
OVERALL MEASURED		95.9	95.2	95.4	95.8	96.8	97.8	99.1	101.3	102.8	105.6	108.1	110.9	112.2	113.7				146.6
OVERALL CALCULATED		106.6	105.8	107.0	107.9	108.6	109.7	110.9	113.3	114.8	117.3	118.8	120.0	119.9	121.1				
	PND8																		

ORIGINAL PAGE IS
OF POOR QUALITY

REV. ALPHA 12/73	FREQ.	ANGLES FROM INLET IN DEGREES (AND RADIANS)															PWL		
		30. (0.52)	40. (0.70)	50. (0.87)	60. (1.05)	70. (1.22)	80. (1.40)	90. (1.57)	100. (1.75)	110. (1.92)	120. (2.09)	130. (2.27)	140. (2.44)	150. (2.62)	160. (2.79)	0. (0.)		0. (0.)	0. (0.)
NO EGA	50	64.8	65.3	65.9	65.4	66.0	66.6	66.6	67.5	67.9	69.6	71.5	74.8	77.6	91.2				118.4
RDG. NO. 0.	63	67.1	67.1	67.9	68.0	68.3	68.4	69.5	70.2	69.6	72.3	74.8	78.1	81.7	95.6				122.3
RADIAL 40, FT.	80	69.1	69.6	69.8	68.9	69.3	70.4	71.3	72.3	73.3	75.6	79.0	82.4	84.8	98.6				125.4
(12. M)	100	72.2	71.2	71.9	70.7	71.4	73.9	75.7	77.1	78.0	79.4	82.2	86.5	90.0	97.7				125.8
VEHICLE JENOTS	125	75.0	73.5	72.7	74.0	73.7	76.7	78.7	78.7	79.7	82.5	85.2	88.6	91.5	103.8				130.7
160	80.2	77.9	77.2	77.2	77.4	79.2	81.4	81.7	83.7	85.9	87.7	91.4	93.4	105.6				132.7	
CONFIG JE-057	200	80.8	80.0	77.5	77.8	79.0	80.5	81.0	82.5	84.8	88.5	91.3	95.6	97.5	104.8				133.2
LOC EVENDALE	250	83.8	82.8	81.0	81.8	81.8	82.0	83.0	85.0	91.0	91.8	95.0	97.0	100.2	102.6				133.9
DATE 04-29-75	315	87.0	84.3	82.8	84.3	86.0	87.2	86.0	90.5	92.3	95.0	97.0	98.6	103.2	106.5				136.9
RUN DBTF-MODEL 6.	400	82.7	80.0	81.8	83.4	84.9	84.7	87.1	88.8	90.6	94.3	94.3	99.5	102.7	102.9				135.4
TAPE X60510	500	82.1	83.6	83.6	82.0	83.0	83.9	86.0	87.5	89.4	91.4	94.7	101.1	103.6	104.8				136.3
BAR 29.4 HG	630	82.8	83.7	83.7	82.2	84.0	83.8	85.9	88.4	90.7	92.0	95.7	101.1	103.2	109.1				138.0
(01039, N/M2)	800	82.7	83.2	83.6	83.3	84.0	84.0	85.9	88.4	90.0	94.0	97.2	100.0	100.7	103.0				135.3
TAMB 59, DEG F	1000	83.6	81.9	83.3	82.7	84.0	85.2	86.9	88.6	90.4	94.1	96.0	97.2	97.4	98.7				133.1
(288, DEG K)	1250	82.2	81.7	83.1	83.3	84.5	85.2	86.9	88.7	89.9	93.6	96.6	98.2	94.9	96.2				132.8
THEY 53, DEG F	1600	80.5	82.0	82.4	83.5	85.1	85.5	86.8	88.7	90.1	92.7	95.6	95.2	93.1	93.2				131.4
(285, DEG K)	2000	81.1	81.3	82.0	83.9	84.2	85.8	86.8	88.6	90.0	92.1	93.9	93.7	91.3	92.3				130.5
HACT 8.91 GM/M3	2500	80.0	81.5	82.5	81.4	82.6	83.9	85.4	87.6	90.0	91.8	91.7	91.9	88.9	88.7				129.1
(.00891 KG/M3)	3150	79.0	80.8	81.2	81.9	82.8	84.3	84.9	87.0	88.5	91.3	90.6	90.0	86.7	88.8				128.3
FREQ. SHIFT	4000	77.3	79.8	80.8	80.7	82.5	83.7	85.2	87.0	88.6	89.7	88.6	86.9	83.4	84.1				127.1
JET 0	5000	76.6	79.6	80.7	80.7	81.9	83.4	84.9	87.1	88.2	90.3	88.8	86.0	81.1	80.7				127.0
DIAMETER RATIO	6300	75.5	78.5	79.7	80.6	81.4	82.9	83.9	85.9	87.3	88.4	87.6	84.7	80.1	81.3				126.0
DF/DH 1.00	8000	75.1	78.1	78.9	79.6	80.1	81.9	82.8	85.0	86.6	87.2	85.5	82.6	78.0	82.5				125.1
	10000	74.7	78.6	79.6	80.2	80.1	80.8	81.4	84.7	86.1	87.1	82.8	80.4	77.6	79.2				124.7
	12500	73.1	78.4	80.2	78.7	79.1	80.6	80.6	83.5	84.9	85.5	81.9	79.1	77.1	81.7				124.1
	16000	70.8	75.8	77.1	76.1	76.8	77.1	78.4	80.7	83.0	82.9	80.0	76.6	75.1	74.4				121.9
	20000	66.0	72.0	72.5	72.0	72.0	73.5	75.4	77.6	79.8	80.0	77.4	72.9	71.2	72.5				119.1
	25000	63.2	68.4	69.4	68.5	68.0	70.0	71.6	74.1	75.6	76.7	73.7	70.3	69.4	80.4				116.8
	31500	58.1	63.6	63.7	63.6	62.2	74.2	67.3	70.3	71.2	72.6	71.3	68.4	67.4	73.3				114.1
	40000	55.4	58.9	58.9	59.2	58.2	61.8	62.2	65.2	65.8	67.6	69.0	67.7	67.4	70.4				110.1
	50000	53.7	54.6	54.4	54.7	55.3	66.6	60.7	63.1	62.1	67.0	71.0	70.7	69.6	74.9				112.6
	63000	54.1	53.1	52.5	53.9	55.5	70.0	62.2	65.0	62.2	68.6	73.7	73.4	72.6	81.2				118.1
	80000	55.6	53.4	53.0	54.7	56.5	66.1	64.6	67.1	63.5	71.0	75.3	76.1	74.6	76.0				121.0
OVERALL MEASURED																			
OVERALL CALCULATED		94.5	94.5	94.9	95.0	96.1	97.1	98.3	100.4	102.3	104.8	106.6	109.3	111.1	115.3				146.2
PNDB		105.0	106.1	106.7	107.0	107.9	109.2	110.3	112.3	114.1	116.4	117.0	117.9	118.3	122.4				

282

622-

REV.	ALPHA	FREQ	30	40	50	60	70	80	90	100	110	120	130	140	150	160	170	180	PHL
			(0.32)	(0.70)	(0.87)	(1.05)	(1.22)	(1.40)	(1.57)	(1.75)	(1.92)	(2.09)	(2.27)	(2.44)	(2.62)	(2.79)	(2.97)	(3.15)	(0.0)
			INLET	INLET	INLET	INLET	INLET	INLET	INLET	INLET	INLET	INLET	INLET	INLET	INLET	INLET	INLET	INLET	(0.0)
NO EQA		83	73.5	73.8	74.9	75.3	75.5	75.8	75.6	77.0	77.1	80.3	82.0	85.5	89.3	91.3	91.3	91.3	126.9
RDG. NO.		80	60.1	60.1	60.0	60.1	60.3	61.2	61.8	62.3	63.3	64.4	66.1	68.1	70.1	71.1	71.1	71.1	129.4
RADIAL	40 FT	100	63.4	62.1	63.4	63.4	63.2	64.7	64.3	66.7	67.5	69.4	71.4	73.4	75.4	76.4	76.4	76.4	131.5
VEHICLE	JENOTS	150	61.7	61.2	61.7	61.9	62.2	63.9	63.5	66.7	67.5	69.4	71.4	73.4	75.4	76.4	76.4	76.4	133.7
CONFIG	JE#057	200	61.0	61.0	61.0	61.0	61.0	61.0	61.0	61.0	61.0	61.0	61.0	61.0	61.0	61.0	61.0	61.0	135.4
LCC	EVEN DALE	250	61.5	61.5	61.5	61.5	61.5	61.5	61.5	61.5	61.5	61.5	61.5	61.5	61.5	61.5	61.5	61.5	137.7
DATE	04-29-75	300	61.8	61.8	61.8	61.8	61.8	61.8	61.8	61.8	61.8	61.8	61.8	61.8	61.8	61.8	61.8	61.8	139.9
RUN	DBTF-MDDEL 6	400	61.7	61.7	61.7	61.7	61.7	61.7	61.7	61.7	61.7	61.7	61.7	61.7	61.7	61.7	61.7	61.7	142.2
TARE	X60520	500	61.3	61.3	61.3	61.3	61.3	61.3	61.3	61.3	61.3	61.3	61.3	61.3	61.3	61.3	61.3	61.3	144.4
BAR	29.9 HG	600	61.8	61.8	61.8	61.8	61.8	61.8	61.8	61.8	61.8	61.8	61.8	61.8	61.8	61.8	61.8	61.8	146.7
401039	N742)	800	61.1	61.1	61.1	61.1	61.1	61.1	61.1	61.1	61.1	61.1	61.1	61.1	61.1	61.1	61.1	61.1	148.9
TAMB	59 DEG F	1000	61.5	61.5	61.5	61.5	61.5	61.5	61.5	61.5	61.5	61.5	61.5	61.5	61.5	61.5	61.5	61.5	151.2
(288)	DEG K)	1250	61.5	61.5	61.5	61.5	61.5	61.5	61.5	61.5	61.5	61.5	61.5	61.5	61.5	61.5	61.5	61.5	153.4
TWET	53 DEG F	1600	61.1	61.1	61.1	61.1	61.1	61.1	61.1	61.1	61.1	61.1	61.1	61.1	61.1	61.1	61.1	61.1	155.7
(285)	DEG K)	2000	61.5	61.5	61.5	61.5	61.5	61.5	61.5	61.5	61.5	61.5	61.5	61.5	61.5	61.5	61.5	61.5	157.9
WABT	8.91 GM/H3	2500	61.5	61.5	61.5	61.5	61.5	61.5	61.5	61.5	61.5	61.5	61.5	61.5	61.5	61.5	61.5	61.5	160.2
(100891)	KG/M3)	3150	61.5	61.5	61.5	61.5	61.5	61.5	61.5	61.5	61.5	61.5	61.5	61.5	61.5	61.5	61.5	61.5	162.4
FREQ. SWIFT		4000	61.4	61.4	61.4	61.4	61.4	61.4	61.4	61.4	61.4	61.4	61.4	61.4	61.4	61.4	61.4	61.4	164.7
JET	0	5000	61.2	61.2	61.2	61.2	61.2	61.2	61.2	61.2	61.2	61.2	61.2	61.2	61.2	61.2	61.2	61.2	166.9
DIAMETER RATIO		6300	61.4	61.4	61.4	61.4	61.4	61.4	61.4	61.4	61.4	61.4	61.4	61.4	61.4	61.4	61.4	61.4	169.2
DF/DM	1.00	8080	61.7	61.7	61.7	61.7	61.7	61.7	61.7	61.7	61.7	61.7	61.7	61.7	61.7	61.7	61.7	61.7	171.4
		10000	61.2	61.2	61.2	61.2	61.2	61.2	61.2	61.2	61.2	61.2	61.2	61.2	61.2	61.2	61.2	61.2	173.7
		12500	61.0	61.0	61.0	61.0	61.0	61.0	61.0	61.0	61.0	61.0	61.0	61.0	61.0	61.0	61.0	61.0	175.9
		16000	61.3	61.3	61.3	61.3	61.3	61.3	61.3	61.3	61.3	61.3	61.3	61.3	61.3	61.3	61.3	61.3	178.2
		20000	61.9	61.9	61.9	61.9	61.9	61.9	61.9	61.9	61.9	61.9	61.9	61.9	61.9	61.9	61.9	61.9	180.4
		25000	79.2	85.1	86.1	88.1	89.1	90.1	91.1	92.1	93.1	94.1	95.1	96.1	97.1	98.1	99.1	100.1	182.7
		31500	75.6	80.1	83.2	85.1	85.7	88.5	89.1	91.8	92.2	94.4	95.1	96.1	97.1	98.1	99.1	100.1	184.9
		40000	73.3	77.8	79.1	81.8	82.1	83.4	85.1	85.3	88.1	88.6	91.0	91.4	92.6	93.3	94.3	95.3	187.2
		50000	72.1	74.8	75.8	78.1	78.3	79.6	81.9	85.3	85.3	88.1	88.6	91.0	91.4	92.6	93.3	94.3	189.4
		63090	73.2	73.4	73.5	75.5	75.5	76.3	78.3	85.3	84.1	86.1	86.1	88.1	88.1	91.4	92.4	93.8	191.7
		80000	74.1	73.2	73.6	74.5	75.2	75.3	76.1	85.8	84.7	86.7	86.3	86.3	88.1	88.1	91.4	93.8	193.9
OVERALL MEASURED			105.4	105.4	105.8	106.5	107.5	108.7	109.6	112.0	113.8	115.1	117.5	120.8	123.2	123.4	123.4	123.4	256.9
OVERALL CALCULATED			116.1	117.0	117.2	118.1	119.1	120.3	121.1	123.4	125.2	126.7	128.0	129.6	131.1	131.2	131.2	131.2	

ORIGINAL PAGE IS OF POOR QUALITY

REV, ALPHA 12273	FREQ.	ANGLES FROM INLET IN DEGREES (AND RADIANS)																	PWL
		30	40	50	60	70	80	90	100	110	120	130	140	150	160	180	0	0	
NO EGA	80	88.3	89.3	70.6	71.2	71.0	76.6	70.6	70.8	71.1	73.3	75.5	79.3	82.6	95.0	122.0			
RDG. NO:	80	88.3	89.3	70.6	71.2	71.0	76.6	70.6	70.8	71.1	73.3	75.5	79.3	82.6	95.0	122.0			
BADIAL 40, FT.	100	76.9	75.9	76.9	76.7	76.4	78.4	80.0	81.1	81.5	84.2	86.7	91.3	97.3	101.7	125.8			
# 12, M)	125	79.7	78.0	77.7	79.2	78.5	81.0	82.7	83.0	84.0	87.2	89.5	94.1	97.0	106.0	128.3			
VEHICLE JENOTS	150	84.7	82.2	81.4	81.7	82.2	83.2	85.9	85.7	87.7	89.9	92.2	95.1	98.1	107.9	130.1			
CCNFIG JE#057	200	85.5	84.0	82.0	82.5	83.0	84.3	85.3	86.3	88.3	92.3	95.8	100.4	102.2	109.3	133.7			
LCC EYENDALE	250	87.0	86.0	84.8	85.3	85.3	86.0	85.8	87.5	87.5	94.8	98.3	101.8	104.9	106.1	135.6			
DATE 04-29-75	315	89.3	86.7	85.8	87.0	86.5	89.0	87.5	92.3	93.5	97.8	100.8	103.6	108.2	111.3	137.8			
RUN DBTF-MDDHL 6	400	86.2	83.7	84.3	85.9	86.9	87.7	88.8	90.8	93.3	97.6	98.5	105.0	109.2	107.6	141.3			
TAPE X68530	500	88.1	88.1	88.1	86.3	86.5	88.1	90.0	91.2	92.9	95.7	99.0	106.6	109.1	109.1	140.6			
BAR 29.9 HG	650	88.8	88.8	88.2	86.3	87.2	87.8	90.1	91.9	93.9	96.5	101.2	108.1	109.9	111.8	141.2			
#01039, N/M2)	800	88.5	88.4	88.4	88.0	88.5	88.8	92.9	92.6	94.0	97.8	102.7	106.0	108.7	108.2	142.9			
TAMB 89, DEG F	1000	87.8	86.6	87.8	87.2	88.0	88.7	90.9	92.6	94.4	98.2	101.2	104.7	104.4	103.7	140.8			
(288, DEG K)	1250	87.0	86.2	87.1	87.6	88.2	89.2	90.9	92.7	94.2	97.9	101.9	104.7	101.7	101.0	138.9			
THET 53, DEG F	1600	86.3	86.5	86.9	87.0	87.8	89.2	90.8	92.2	93.3	97.0	100.6	101.2	99.6	98.2	138.3			
(285, DEG K)	2000	87.1	85.6	85.5	87.9	88.2	89.6	89.8	91.8	93.0	95.9	99.4	99.5	98.6	96.8	136.3			
HAST 8.9, GH/M3	2500	85.1	85.6	85.8	85.7	86.4	88.2	88.5	90.9	93.0	95.5	96.4	94.9	93.2	93.2	135.3			
#00891 KG/M3)	3150	83.5	84.1	85.8	86.3	87.3	88.3	88.5	90.9	92.5	95.6	95.4	94.9	93.8	92.4	133.6			
FREQ. SHIFT	4000	82.1	84.7	85.3	86.3	87.1	89.0	89.8	90.7	92.5	94.4	93.8	91.5	89.8	88.5	132.8			
JET	5000	82.0	85.3	86.1	87.1	88.0	89.6	90.5	92.0	93.1	95.2	92.5	90.4	87.2	85.3	131.7			
DIAMETER RATIO	6300	81.2	84.8	86.3	87.6	88.6	89.7	90.4	92.3	93.3	95.4	92.6	90.7	88.7	83.8	132.0			
DF/DR 1.00	8050	79.7	83.8	85.3	86.7	88.5	89.8	90.6	92.2	93.2	95.4	92.6	90.8	88.2	83.4	132.1			
	10000	79.3	83.2	85.0	86.5	87.5	88.9	89.9	92.3	93.6	95.4	92.6	90.8	88.2	83.4	132.5			
	12500	77.8	82.9	84.5	86.1	87.1	88.3	89.4	92.2	93.7	95.4	92.6	90.8	88.2	83.4	131.9			
	16000	76.0	82.5	83.5	84.9	86.1	87.1	88.9	92.2	93.7	95.4	92.6	90.8	88.2	83.4	132.0			
284	20000	76.8	84.8	85.8	84.6	83.4	83.6	84.2	87.1	89.9	91.7	92.1	86.7	84.0	82.6	130.4			
	25000	72.8	81.3	83.5	82.4	80.1	81.1	81.0	83.5	85.0	85.6	80.3	80.7	82.0	82.0	128.1			
	31500	67.2	74.8	77.1	76.5	74.3	76.9	77.4	80.1	81.0	82.0	77.4	77.2	78.1	77.7	122.6			
	40000	64.4	71.1	72.6	72.2	70.7	73.0	72.7	75.9	77.2	77.8	73.0	77.4	76.9	78.4	119.9			
	50000	63.0	68.4	69.7	69.0	67.4	73.7	69.4	74.1	74.4	74.8	73.3	80.2	79.1	80.9	120.6			
	63000	63.5	64.9	66.3	66.3	65.6	72.8	66.8	75.1	73.8	73.2	74.6	83.0	81.3	83.3	123.8			
	80000	64.8	63.4	63.5	64.2	63.5	69.1	65.9	76.1	74.0	74.5	76.3	85.8	83.3	85.3	128.5			
OVERALL MEASURED		99.1	99.2	99.6	99.9	100.6	101.8	102.7	104.8	106.5	109.2	111.5	115.2	117.1	119.1	151.1			
OVERALL CALCULATED		130.8	130.4	111.1	111.8	112.6	114.0	114.8	116.5	118.0	120.8	122.1	123.7	124.6	126.0				

REV: ALPHA 12473	FREQ.	ANGLES FROM INLET IN DEGREES (AND RADIANS)																PWL
		30	40	50	60	70	80	90	100	110	120	130	140	150	160	180	200	
RDG. NO. EGA	83	85.1	85.1	65.9	66.2	66.7	68.6	67.1	68.0	68.4	70.1	73.8	81.1	83.7	93.3	121.2		
RADIAL 40' FT.	100	70.9	71.1	70.8	70.4	70.5	72.7	72.6	73.3	74.1	76.9	80.5	83.9	86.0	94.1	122.4		
VERICLE JENOTS	160	81.7	79.7	78.7	78.9	79.4	82.7	82.7	83.4	82.9	85.4	88.2	90.2	93.9	96.1	125.9		
CONFIG JENOTS	200	82.8	81.8	82.5	83.3	83.0	84.0	84.0	84.3	86.3	91.5	93.8	97.3	99.3	102.7	130.0		
LOG EVENDALE	230	85.3	84.0	84.9	86.0	87.3	88.2	86.5	91.5	93.0	98.5	100.8	102.4	106.7	108.1	132.7		
DATE 04-29-75	315	88.0	86.0	84.9	86.0	87.3	88.2	86.5	91.5	93.0	98.5	100.8	102.4	106.7	108.1	135.5		
RUN DBTF-MODEL 6	400	85.4	82.2	83.3	85.9	86.7	86.7	87.8	90.0	91.9	95.4	98.7	101.2	107.1	108.9	135.6		
YARE M60340	500	87.3	86.8	86.6	85.3	85.7	86.8	88.1	90.6	92.9	98.7	101.2	107.1	108.9	110.6	139.9		
BAR 29.9 HG	600	88.8	88.2	88.1	87.8	88.0	89.5	88.9	92.1	93.3	97.3	101.7	106.0	107.0	109.2	140.8		
#01039 N(M2)	800	89.8	88.2	88.0	87.2	88.0	88.7	90.2	91.8	93.4	98.2	102.0	106.9	108.1	109.4	141.9		
YARB 99 DEG F	1000	89.3	87.4	88.0	87.2	88.0	88.7	90.2	91.8	93.4	98.2	102.0	106.9	108.1	109.4	141.9		
(284 DEG K)	1250	88.0	87.2	87.4	87.5	88.0	88.7	90.2	91.8	93.4	98.2	102.0	106.9	108.1	109.4	141.9		
THET 53 DEG F	1600	87.8	86.7	86.7	87.3	88.3	88.2	89.4	90.3	92.2	93.6	97.5	101.1	102.2	103.6	141.9		
(283 DEG K)	2000	87.9	86.6	86.3	88.4	89.0	89.4	89.8	92.1	94.0	97.1	99.7	101.0	102.2	103.6	141.9		
WACT 8.91 GM/M3	2500	85.6	85.8	85.8	85.5	86.6	88.5	88.7	91.7	93.8	96.2	97.5	99.2	99.9	99.5	141.9		
#00891 KG/M3	3150	84.3	84.9	85.3	86.0	86.1	88.4	88.5	90.9	92.1	95.9	96.9	97.1	97.8	96.7	141.9		
FREQ. SRIPT	4000	81.2	82.3	83.0	84.1	85.2	87.1	87.6	89.7	91.8	94.9	95.1	94.6	93.6	91.0	141.9		
JET	5000	80.1	81.8	81.7	82.7	84.1	87.9	87.3	89.6	91.6	94.6	94.0	93.2	91.5	89.2	141.9		
DIAMETER RATIO	6000	79.3	81.1	81.8	82.4	84.2	86.3	86.2	88.7	90.6	92.8	92.2	91.2	89.1	86.2	141.9		
BF/DH 1.00	8000	77.9	80.7	81.4	82.4	83.4	85.7	85.9	88.3	89.9	92.3	92.3	90.1	87.1	83.3	141.9		
	10000	77.2	79.7	80.9	81.7	82.9	84.8	84.7	88.5	89.4	91.6	91.6	89.1	84.7	82.2	141.9		
	12500	75.1	78.2	79.0	79.5	80.9	83.4	83.9	86.5	88.7	89.8	87.7	83.1	81.1	80.5	141.9		
	16000	72.0	75.3	76.3	76.1	77.8	80.1	81.2	83.9	85.2	86.1	84.8	79.6	77.6	76.4	141.9		
	20000	67.6	70.9	72.1	72.7	73.7	76.1	77.7	80.5	82.4	83.1	81.8	76.8	75.3	74.6	141.9		
	25000	64.4	67.8	68.8	69.7	69.9	73.4	74.3	77.1	78.8	79.4	80.1	78.0	77.1	77.8	141.9		
	31500	60.2	63.5	64.3	65.5	65.6	69.9	71.7	73.9	74.5	76.0	78.9	76.3	76.6	77.0	141.9		
	40000	58.9	61.6	61.6	62.6	62.2	69.0	69.4	70.8	71.7	71.7	78.9	76.6	77.3	78.1	141.9		
	50000	59.1	60.5	60.5	61.3	61.2	63.0	70.0	71.2	70.5	70.6	81.4	80.1	80.0	80.6	141.9		
	63000	60.9	61.8	61.0	62.3	62.0	73.3	72.2	73.6	71.8	71.7	83.7	82.9	82.4	83.7	141.9		
	80000	61.8	61.9	62.2	62.7	63.9	84.5	74.3	76.0	73.5	74.0	85.3	84.8	84.5	85.0	141.9		
OVERALL MEASURED		98.8	98.1	98.0	98.3	99.1	100.5	100.9	103.4	105.1	105.7	111.5	115.0	116.5	117.9	150.4		
OVERALL CALCULATED		98.8	98.1	98.0	98.3	99.1	100.5	100.9	103.4	105.1	105.7	111.5	115.0	116.5	117.9	150.4		
PNDB		109.9	109.8	109.9	110.5	111.1	112.8	113.2	115.5	117.4	120.6	122.3	124.1	125.1	125.7			

ORIGINAL PAGE IS
OF POOR QUALITY

REV.	ALPHA 12478	FREQ.	ANGLES FROM INLET IN DEGREES (AND RADIANS)																	PWL
			30	40	50	60	70	80	90	90	100	110	120	130	140	150	160	0	0	
BLQ. NO:	0.	50	24.3	74.1	74.9	75.2	75.2	75.8	76.1	77.8	78.1	80.1	82.8	85.8	89.8	102.7				129.9
RADIAL 40 FT.	100	80	28.4	77.8	77.9	77.7	78.0	78.4	79.8	81.1	82.6	83.6	85.1	88.8	90.9	94.0	108.1			132.5
VEHICLE JENOTS	125	100	37.0	85.7	85.8	86.2	86.5	87.7	89.7	90.7	91.7	93.2	96.7	100.9	103.7	107.3	113.3			135.0
LCC EYENDALE	200	200	42.0	90.3	90.3	91.0	91.3	92.0	92.0	92.7	93.3	95.5	98.8	103.0	106.3	109.8	113.2			137.4
DATE 04-29-75	315	250	43.3	92.0	91.5	93.3	94.0	94.2	95.3	97.3	97.3	99.8	104.1	108.0	110.9	115.7	117.0			141.1
RUN DBTF-MODEL 6	400	400	42.9	90.0	90.8	91.9	93.2	93.5	95.1	97.0	97.3	99.8	104.1	108.0	111.8	115.7	117.0			143.1
TARE X60550	500	500	46.3	97.8	95.1	95.5	96.1	96.6	97.0	99.4	99.4	100.7	104.2	109.0	111.6	118.1	117.0			144.8
BAR 29.9 HG	600	600	47.0	97.0	95.9	96.0	96.5	96.5	97.7	99.4	99.4	101.4	104.4	110.2	116.6	119.2	121.1			145.7
(01039, N442)	700	800	46.1	93.6	95.0	94.4	95.0	96.7	97.9	99.8	102.4	106.6	110.2	109.9	111.7	113.9	112.9			147.3
TAMB 59 DEG F	1000	1250	44.0	93.7	94.1	94.3	95.2	96.2	97.7	99.8	100.2	101.1	105.9	109.6	111.7	113.9	112.9			146.0
THET 53 DEG F	1600	1600	42.8	93.5	93.2	94.0	94.0	95.1	97.0	98.3	100.0	101.3	105.5	108.6	109.2	107.4	105.3			144.2
(285, DEG K)	2000	2000	41.1	92.6	92.0	94.0	95.0	96.4	97.3	99.8	101.0	104.1	106.9	107.3	105.4	103.4	103.4			142.8
WACT 8.91 GM/M3	2500	2500	41.8	92.3	92.3	92.5	93.4	94.9	96.5	98.9	101.0	104.1	106.8	107.7	105.2	102.4	100.0			141.3
(100891 KG/M3)	3150	3150	40.3	91.9	92.5	92.7	94.1	95.1	96.1	97.9	99.9	101.0	104.4	103.4	103.6	100.8	100.4			140.0
JET	3000	3000	38.8	92.0	92.4	93.3	94.5	96.3	97.3	99.3	101.1	101.0	101.0	101.3	98.8	97.5	95.1			139.3
DIAMETER RATIO	6300	6300	38.7	93.3	94.0	95.6	96.4	97.4	97.9	99.1	101.5	101.1	99.8	99.2	96.6	93.1	93.1			139.3
BF/DK 1.00	8000	8000	39.0	94.3	94.8	96.2	97.0	98.6	98.2	99.9	101.7	99.6	98.6	97.7	95.4	93.4	93.4			139.9
	10000	10000	39.5	93.2	94.2	95.8	97.0	97.9	98.5	100.8	102.6	99.6	97.4	96.2	94.4	92.3	92.3			140.3
	12500	12500	36.6	92.1	93.1	94.7	96.1	97.3	98.1	100.7	101.7	99.0	96.7	95.4	93.6	92.2	92.2			139.9
	16000	16000	34.5	89.3	91.3	92.6	95.0	96.3	97.4	99.9	100.7	97.6	95.2	93.3	91.5	88.9	88.9			139.1
	20000	20000	32.3	87.3	89.0	91.3	92.4	93.8	95.2	97.5	98.1	95.1	92.7	90.7	89.0	86.8	86.8			137.2
285	25000	25000	29.8	85.3	87.0	89.4	89.9	91.1	93.0	94.8	95.3	92.1	90.5	89.7	88.5	88.3	88.3			135.4
	31500	31500	26.2	81.8	83.1	85.5	85.8	89.4	89.7	91.9	91.8	90.0	89.4	87.5	87.0	86.2	86.2			133.0
	40000	40000	23.4	77.9	79.6	82.2	82.2	85.3	85.2	87.4	88.5	86.0	88.7	86.7	87.1	87.6	87.6			130.8
	50000	50000	22.2	75.2	76.2	79.2	78.6	80.7	82.2	85.4	84.9	85.0	84.0	89.7	89.3	90.4	90.4			131.6
	63000	63000	22.5	73.2	73.8	76.0	76.3	80.7	78.3	85.1	84.3	86.1	86.1	93.3	92.0	93.3	93.3			135.3
	80000	80000	23.8	72.2	72.0	74.0	75.5	81.1	76.4	85.9	83.8	85.3	85.3	94.3	94.1	95.3	95.3			139.9
OVERALL CALCULATED			106.5	106.6	106.7	107.4	108.2	109.4	110.3	112.6	114.8	116.7	119.8	123.6	125.6	126.8				159.3
OVERALL MEASURED			157.0	117.9	118.1	118.9	119.7	120.9	121.7	123.8	125.8	128.3	129.9	132.1	133.2	134.2				

MODEL SOUND PRESSURE LEVEL'S (59' DEG. F, 70 PERCENT REL. HUM, DAY - JENOTS)

REV.	ALPHA	12478	FREQ	30	40	50	60	70	80	90	100	110	120	130	140	150	160	PWL
				(0.52)	(0.70)	(0.87)	(1.05)	(1.22)	(1.40)	(1.57)	(1.75)	(1.92)	(2.09)	(2.27)	(2.44)	(2.62)	(2.79)	(0.0)
				(0.0)	(0.0)	(0.0)	(0.0)	(0.0)	(0.0)	(0.0)	(0.0)	(0.0)	(0.0)	(0.0)	(0.0)	(0.0)	(0.0)	(0.0)
RCG, NO.	NO. EGA	83	30	74.1	73.8	72.4	71.9	72.5	74.8	72.4	73.5	73.6	76.6	78.3	81.3	85.3	98.2	125.1
RADIAL	40' FT.	100	30	76.6	76.9	77.3	74.2	74.5	76.7	75.3	75.7	76.4	79.8	82.3	85.9	92.1	102.3	129.1
VEHICLE	JENOTS	150	30	82.7	81.0	80.7	82.0	81.2	85.0	85.2	86.0	86.7	89.7	92.7	96.4	99.5	110.0	137.3
CONFIG	JENOTS	200	30	88.0	87.0	84.8	85.3	85.8	88.3	87.8	88.8	90.5	94.8	98.8	103.1	106.0	111.8	140.6
LCB	EYENDALE	250	30	89.5	88.8	87.3	88.0	87.3	89.0	88.3	90.3	92.3	97.2	102.0	105.3	109.7	111.1	141.8
DATE	04-29-75	315	30	90.8	88.8	87.5	90.0	90.0	91.0	88.8	94.3	95.0	100.0	104.5	106.4	111.2	115.5	144.8
RUN	CBTF - MODEL 6	400	30	88.9	86.5	86.6	88.7	88.7	90.0	90.0	93.3	92.3	99.3	100.8	107.8	110.7	110.1	142.7
TAPE	X60580	500	30	91.1	91.0	90.8	89.5	89.2	91.6	92.7	95.2	96.9	104.2	104.2	112.9	114.6	113.1	146.5
BAR	29.9 HG	630	30	93.3	93.2	92.5	90.2	90.7	90.8	93.1	95.1	96.9	100.0	105.2	112.8	114.2	116.6	147.4
TAMB	59' DEG F	1000	30	92.6	90.8	91.8	91.2	91.8	92.9	94.4	96.3	97.9	102.8	106.8	109.4	109.9	108.2	143.7
WET	53' DEG F	1600	30	91.5	90.4	91.1	91.1	91.5	92.7	93.7	95.7	97.7	102.6	107.1	110.5	107.2	105.2	143.4
WABT	8.91 GM/MS	2500	30	90.6	89.3	88.8	91.9	91.3	93.5	94.0	95.7	97.6	101.8	105.3	107.7	105.1	102.0	141.7
FREQ	SHIFT	4000	30	85.1	87.7	88.5	89.0	90.1	91.8	92.3	93.9	96.0	99.4	100.9	102.9	104.4	106.0	138.8
DIAMETER	RATIO	6300	30	87.0	92.3	93.5	93.8	93.9	94.4	93.9	95.8	96.3	97.6	95.6	94.4	90.8	88.8	136.1
BF/DR	1.00	8000	30	85.7	90.3	90.5	91.7	93.0	94.1	95.0	97.7	98.5	99.6	95.1	92.3	88.9	86.9	136.9
		10000	30	84.8	90.2	91.2	92.0	92.2	94.4	95.0	98.0	100.6	99.7	95.1	92.0	88.7	87.3	137.8
		12500	30	82.3	89.9	90.5	91.2	92.6	93.6	94.9	98.2	99.7	97.8	93.9	90.9	88.8	87.5	137.3
		16000	30	79.5	86.6	88.3	88.1	87.6	88.8	89.7	92.1	93.3	93.1	88.5	86.0	85.1	84.3	133.0
		20000	30	75.1	81.5	83.3	83.4	83.4	85.4	86.8	88.8	90.8	89.8	84.8	82.2	80.4	81.0	130.1
		25000	30	70.4	77.3	78.6	79.0	78.8	83.1	83.2	85.4	86.0	86.7	82.6	80.1	77.7	77.4	127.1
		31500	30	67.4	74.1	75.4	75.4	75.7	77.0	79.2	81.1	82.7	82.5	80.2	78.9	78.6	78.6	124.3
		40000	30	65.0	69.7	71.7	72.0	73.1	77.4	75.9	78.1	78.9	81.5	81.5	81.5	80.3	81.2	124.3
		50000	30	65.2	66.4	67.6	68.3	73.1	78.1	74.6	76.6	76.6	82.2	83.8	83.8	83.5	83.5	127.2
		63000	30	65.6	63.8	63.7	65.2	74.2	74.1	74.9	76.1	74.8	84.5	85.8	85.8	85.3	85.0	131.6
		80000	30															
OVERALL MEASURED				102.9	103.4	103.5	103.9	104.2	105.8	106.3	108.7	110.5	113.0	116.2	120.5	121.4	123.1	135.6
OVERALL CALCULATED				103.8	113.1	115.5	116.0	116.2	117.5	117.8	119.8	121.6	124.5	126.7	129.5	129.1	130.1	

287

ORIGINAL PAGE IS OF POOR QUALITY

627

ANGLES FROM INLET IN DEGREES (AND RADIANS)

REV.	ALPHA 12473	FREQ.	30	40	50	60	70	80	90	100	110	120	130	140	150	160	0	0	0	PHU
			(0.52)	(0.70)	(0.87)	(1.05)	(1.22)	(1.40)	(1.57)	(1.75)	(1.92)	(2.09)	(2.27)	(2.44)	(2.62)	(2.79)	(0.0)	(0.0)	(0.0)	
REG. NO.	NO EGA.	50	66.8	66.8	67.6	67.9	68.2	70.1	68.9	70.0	70.1	72.1	75.3	78.3	81.6	93.7				120.8
RADIAL	40. FT.	100	70.3	70.1	70.7	70.5	70.8	72.4	72.8	72.4	73.6	76.3	80.1	82.6	85.7	94.8				122.7
VEHICLE	JENOTS	150	73.1	73.4	73.5	72.4	72.8	74.9	75.1	75.6	76.3	78.6	82.1	86.1	88.8	98.1				124.2
CCNFIG	JENOTS	200	75.4	75.4	75.7	75.7	77.9	77.9	79.5	80.1	83.4	86.7	89.5	90.8	91.5	98.8				128.1
DATE	04-29-73	315	77.7	78.2	77.7	79.2	78.2	81.7	82.7	82.7	83.7	86.7	89.7	91.9	92.7	99.9				130.5
YARE	X60570	300	81.9	81.9	81.2	81.4	81.7	83.7	85.1	85.4	88.2	90.2	92.7	96.9	99.1	102.9				133.3
BAR	29.9 HG	630	84.1	84.0	84.5	84.8	84.7	86.5	85.5	86.3	88.8	90.4	93.7	96.6	100.6	103.7				137.2
YAMB	59 DEG F	1000	87.1	87.0	87.0	88.0	89.3	89.5	89.8	91.8	94.8	99.2	103.3	107.0	108.1	110.5				141.7
THRT	53 DEG F	1600	90.1	90.1	90.7	91.2	91.3	91.0	91.9	93.5	95.4	98.9	103.2	110.9	112.4	112.8				144.6
WACT	8.91 GM/H3	2500	91.8	91.7	91.8	91.8	91.0	91.6	92.2	93.6	95.7	99.7	106.0	111.8	112.4	112.7				145.5
FREQ. SHIFT	4000	8000	92.2	91.7	91.6	91.6	91.3	91.0	91.9	93.4	95.1	99.1	107.2	111.8	111.7	112.7				145.5
DIAMETER RATIO	DF/DH 1.00	6300	93.1	91.4	91.8	91.2	91.5	91.2	91.6	93.3	95.1	97.7	101.6	107.0	109.1	109.4				145.5
		8000	92.3	90.6	90.0	92.9	92.7	93.1	93.3	95.3	97.3	101.1	105.7	107.9	109.1	109.4				145.5
		10000	90.8	88.6	88.5	89.2	89.8	91.1	92.0	94.4	96.3	100.4	102.2	106.4	104.3	99.6				145.5
		12500	85.1	86.4	87.2	87.8	89.1	90.8	91.6	93.4	96.5	99.4	100.3	103.0	98.5	93.8				137.4
		15000	84.5	85.5	86.1	87.1	88.3	89.6	91.0	93.5	95.8	99.5	99.2	100.6	95.7	90.8				136.3
		16000	83.2	86.0	86.2	87.8	89.1	90.4	90.6	93.6	95.5	97.6	97.3	97.2	91.8	87.1				134.9
		20000	83.0	86.4	86.5	88.0	89.5	90.6	90.7	94.2	97.0	97.9	94.9	94.0	89.1	86.1				134.7
		25000	81.6	84.9	85.7	87.2	88.6	90.1	90.9	94.5	97.7	98.3	95.9	91.6	88.6	86.2				135.6
		31500	77.5	81.8	82.0	83.1	85.2	87.8	88.8	90.9	93.2	94.6	93.5	87.5	84.8	82.1				132.5
		40000	73.0	77.1	78.0	79.1	80.9	82.8	83.9	86.5	89.1	90.3	87.1	82.7	79.8	78.1				128.4
		50000	69.6	73.8	75.3	76.4	77.1	81.1	81.0	83.5	85.3	87.1	84.0	80.2	78.8	78.3				125.7
		63000	64.9	70.0	70.6	72.3	72.6	78.4	77.7	79.9	81.0	83.5	81.4	78.7	78.0	76.9				123.0
		80000	62.7	66.4	67.6	68.9	69.2	74.0	74.0	75.9	77.3	78.8	78.7	78.9	77.9	78.4				120.9
		100000	61.2	62.7	63.1	64.3	65.4	72.2	72.7	73.9	74.1	75.3	81.8	81.5	80.1	80.4				122.1
		125000	61.8	62.2	62.2	64.5	65.7	84.3	74.9	76.4	74.3	74.8	85.8	86.3	85.3	85.3				126.2
		150000																		131.7
OVERALL MEASURED			102.5	102.0	101.8	102.2	102.8	103.9	104.6	107.1	109.2	112.9	116.3	120.7	120.8	120.8				154.8
OVERALL CALCULATED			154.1	113.7	113.7	114.4	114.8	115.9	116.8	119.1	121.1	124.9	127.3	131.2	130.6	128.6				

REV.	ALPHA	FREQ.	30	40	50	60	70	80	90	100	110	120	130	140	150	160	PHL
			(0.52)	(0.70)	(0.87)	(1.05)	(1.22)	(1.40)	(1.57)	(1.75)	(1.92)	(2.09)	(2.27)	(2.44)	(2.62)	(2.79)	
NO. BGA	0	50	23.8	24.8	25.4	25.9	26.5	27.3	27.4	27.5	27.9	28.8	29.3	29.3	29.0	28.2	128.8
RDG. NO.	0	50	28.3	28.6	28.7	28.7	28.8	28.7	29.8	31.2	32.1	33.8	35.3	32.4	34.7	32.3	131.0
RADIAL	40. FT.	100	81.6	81.6	81.3	80.9	81.0	81.7	82.8	83.6	84.1	82.6	81.0	84.6	87.5	84.4	133.2
	12. M	125	87.7	86.7	84.4	84.4	84.4	85.9	87.5	88.6	89.0	92.9	94.2	92.3	183.3	187.9	137.3
VEHICLE	JENOTS	150	93.2	90.4	89.9	89.7	89.9	91.2	93.1	93.7	95.4	99.4	99.7	105.4	108.4	110.9	139.5
CONFIG	JEN057	200	92.8	91.3	90.0	89.5	90.5	90.8	92.3	93.5	95.3	100.5	104.1	108.9	112.9	115.0	142.0
LOC	EVENDALE	270	93.3	93.0	91.2	92.3	91.1	92.2	92.5	94.5	100.0	101.8	106.5	110.8	113.1	113.4	145.1
DATE	04-29-75	375	94.3	92.8	92.0	94.0	94.8	94.4	93.0	97.8	98.1	104.2	109.0	111.6	115.9	116.0	148.0
RUN	DBTF-MODEL 6	400	93.2	91.2	91.3	92.4	93.7	94.2	95.8	97.6	99.9	104.8	107.0	112.8	116.2	112.1	147.5
TAPE	X66589	500	96.3	96.8	95.8	94.3	94.5	95.0	97.2	100.2	101.7	104.9	110.0	116.6	120.3	116.8	151.9
BAR	29.9 HG	600	99.1	99.2	98.0	95.2	96.0	96.0	97.6	99.9	102.7	105.5	112.7	119.3	120.4	117.8	152.4
	#01039 N/(M2)	800	99.0	98.7	97.9	97.8	97.9	97.5	98.9	101.6	103.0	108.7	113.7	119.3	119.9	117.5	152.6
TAMP	99 DEG F	1000	98.8	96.4	97.3	96.7	96.5	97.2	99.4	101.3	103.1	108.3	113.5	115.7	115.6	113.4	152.7
	(288 DEG K)	1250	96.7	95.7	96.1	96.5	96.5	97.7	99.2	101.2	102.9	107.6	113.3	116.7	112.9	110.2	149.3
THET	53 DEG F	1600	95.1	95.7	95.4	95.7	96.8	98.0	99.3	101.0	103.1	108.1	112.6	113.5	110.1	107.0	147.5
	(285 DEG K)	2000	96.3	94.8	94.0	94.7	96.4	97.6	98.0	100.6	102.1	106.4	110.7	111.8	108.8	104.0	145.9
WABT	8.91 GM/M3	2500	94.3	94.8	94.7	94.0	95.1	96.2	97.7	99.4	102.2	105.3	108.2	110.2	105.4	101.0	144.2
	4.00891 KG/M3	3150	93.0	94.1	93.8	94.7	95.5	95.8	97.3	99.6	100.8	104.8	108.2	110.4	102.5	99.6	142.7
FREQ	SMIFT	4000	90.6	93.6	93.4	94.0	94.8	96.5	97.8	99.2	100.8	103.9	105.0	104.0	99.0	96.5	141.2
JET	0	5000	91.2	95.5	94.8	94.6	96.0	97.1	97.8	99.7	101.1	103.2	103.4	101.8	97.5	95.0	140.8
DIAMETER RATIO		6300	91.7	98.3	96.7	97.0	98.1	98.2	98.5	99.8	101.1	101.8	101.8	99.9	96.5	94.0	140.6
BF/DH	1.00	8000	91.7	99.2	98.3	98.9	99.2	99.3	98.7	99.9	101.9	100.8	99.4	98.4	95.6	94.3	141.0
		10000	91.4	99.1	98.6	99.4	100.4	100.6	99.4	101.2	102.8	101.2	99.2	96.9	95.4	94.5	141.9
		12500	89.2	96.8	96.9	98.6	100.0	101.0	100.8	101.4	101.8	100.4	98.1	95.8	94.0	93.9	141.8
		16000	86.9	93.7	94.7	95.7	98.6	99.4	99.8	101.0	101.3	99.0	96.6	94.2	91.0	91.0	141.0
289		20000	84.2	91.2	91.7	93.2	95.0	95.7	97.3	98.4	99.2	96.7	94.9	92.1	89.9	89.5	138.8
		25000	80.9	87.9	89.1	91.0	94.8	94.5	95.9	95.7	96.4	94.3	92.7	90.3	89.4	89.4	136.7
		31500	76.6	83.6	85.2	87.1	87.7	90.0	90.3	92.5	92.4	90.9	91.3	88.9	87.9	87.5	134.0
		40000	73.3	79.8	81.0	82.8	83.6	84.7	83.9	88.3	88.8	86.5	90.9	88.3	87.8	89.3	131.7
		50000	72.1	76.1	77.1	78.9	79.5	81.8	81.5	86.1	86.0	85.8	92.7	91.4	90.8	91.4	132.9
		63000	74.2	74.4	74.5	76.5	77.5	76.8	78.8	85.6	85.0	87.7	95.2	94.2	93.7	94.8	136.6
		80000	75.6	74.2	74.0	75.2	77.0	76.1	76.9	86.8	85.0	96.2	97.1	96.8	96.1	95.8	141.6
OVERALL MEASURED																	
OVERALL CALCULATED			108.2	109.4	109.0	109.3	110.1	110.8	111.5	113.3	115.0	118.1	122.3	126.5	127.2	125.5	160.7
PND8			119.2	121.1	120.2	120.4	121.2	121.8	122.6	124.7	126.6	129.8	132.8	135.0	134.6	132.8	

ORIGINAL PAGE IS OF POOR QUALITY

MODEL SOUND PRESSURE LEVEL'S (59' DEG' F, 75 PERCENT REL. HUM., 10' JENOTS)

REV. ALPHA 12473	FREQ.	ANGLES FROM INLET IN DEGREES (AND RADIANS)																PWL
		30	40	50	60	70	80	90	100	110	120	130	140	150	160	170	180	
NO EGA	30	23.1	23.1	23.1	23.1	23.1	23.1	23.1	23.1	23.1	23.1	23.1	23.1	23.1	23.1	23.1	23.1	126.7
REG. NO. 0	60	26.3	26.3	26.3	26.3	26.3	26.3	26.3	26.3	26.3	26.3	26.3	26.3	26.3	26.3	26.3	26.3	128.2
RADIAL 40 FT	180	29.4	29.4	29.4	29.4	29.4	29.4	29.4	29.4	29.4	29.4	29.4	29.4	29.4	29.4	29.4	29.4	130.4
12 M	120	26.2	26.2	26.2	26.2	26.2	26.2	26.2	26.2	26.2	26.2	26.2	26.2	26.2	26.2	26.2	26.2	134.3
VEHICLE JENOTS	150	21.2	21.2	21.2	21.2	21.2	21.2	21.2	21.2	21.2	21.2	21.2	21.2	21.2	21.2	21.2	21.2	136.5
CONFIG JENOTS	200	18.0	18.0	18.0	18.0	18.0	18.0	18.0	18.0	18.0	18.0	18.0	18.0	18.0	18.0	18.0	18.0	142.7
LOC EVENDALE	250	12.0	12.0	12.0	12.0	12.0	12.0	12.0	12.0	12.0	12.0	12.0	12.0	12.0	12.0	12.0	12.0	144.1
DATE 04-29-75	315	9.0	9.0	9.0	9.0	9.0	9.0	9.0	9.0	9.0	9.0	9.0	9.0	9.0	9.0	9.0	9.0	146.3
RUN DBTF-MODEL 6	400	12.2	12.2	12.2	12.2	12.2	12.2	12.2	12.2	12.2	12.2	12.2	12.2	12.2	12.2	12.2	12.2	145.9
TYPE X60590	500	14.3	14.3	14.3	14.3	14.3	14.3	14.3	14.3	14.3	14.3	14.3	14.3	14.3	14.3	14.3	14.3	149.7
BAR 29.9 HG	630	16.6	16.6	16.6	16.6	16.6	16.6	16.6	16.6	16.6	16.6	16.6	16.6	16.6	16.6	16.6	16.6	150.5
#01039 N/M2	800	17.2	17.2	17.2	17.2	17.2	17.2	17.2	17.2	17.2	17.2	17.2	17.2	17.2	17.2	17.2	17.2	150.7
TAMB 59 DEG F	1000	17.1	17.1	17.1	17.1	17.1	17.1	17.1	17.1	17.1	17.1	17.1	17.1	17.1	17.1	17.1	17.1	148.4
(288 DEG K)	1250	15.8	15.8	15.8	15.8	15.8	15.8	15.8	15.8	15.8	15.8	15.8	15.8	15.8	15.8	15.8	15.8	148.6
THET 53 DEG F	1600	13.8	13.8	13.8	13.8	13.8	13.8	13.8	13.8	13.8	13.8	13.8	13.8	13.8	13.8	13.8	13.8	147.0
(285 DEG K)	2000	13.1	13.1	13.1	13.1	13.1	13.1	13.1	13.1	13.1	13.1	13.1	13.1	13.1	13.1	13.1	13.1	146.0
WACT 8.9 GM/M3	2500	13.8	13.8	13.8	13.8	13.8	13.8	13.8	13.8	13.8	13.8	13.8	13.8	13.8	13.8	13.8	13.8	144.3
(00891 KG/M3)	3150	12.8	12.8	12.8	12.8	12.8	12.8	12.8	12.8	12.8	12.8	12.8	12.8	12.8	12.8	12.8	12.8	142.8
FREQ. SHIFT	4000	11.6	11.6	11.6	11.6	11.6	11.6	11.6	11.6	11.6	11.6	11.6	11.6	11.6	11.6	11.6	11.6	140.8
JET 0	5000	10.0	10.0	10.0	10.0	10.0	10.0	10.0	10.0	10.0	10.0	10.0	10.0	10.0	10.0	10.0	10.0	140.0
DIAMETER RATIO	6300	9.2	9.2	9.2	9.2	9.2	9.2	9.2	9.2	9.2	9.2	9.2	9.2	9.2	9.2	9.2	9.2	139.9
BF/DB 1.00	8000	9.1	9.1	9.1	9.1	9.1	9.1	9.1	9.1	9.1	9.1	9.1	9.1	9.1	9.1	9.1	9.1	139.8
10000	9.1	9.1	9.1	9.1	9.1	9.1	9.1	9.1	9.1	9.1	9.1	9.1	9.1	9.1	9.1	9.1	9.1	140.9
12500	8.9	8.9	8.9	8.9	8.9	8.9	8.9	8.9	8.9	8.9	8.9	8.9	8.9	8.9	8.9	8.9	8.9	140.8
16000	8.5	8.5	8.5	8.5	8.5	8.5	8.5	8.5	8.5	8.5	8.5	8.5	8.5	8.5	8.5	8.5	8.5	139.3
20000	8.2	8.2	8.2	8.2	8.2	8.2	8.2	8.2	8.2	8.2	8.2	8.2	8.2	8.2	8.2	8.2	8.2	136.4
25000	7.8	7.8	7.8	7.8	7.8	7.8	7.8	7.8	7.8	7.8	7.8	7.8	7.8	7.8	7.8	7.8	7.8	133.7
31500	7.4	7.4	7.4	7.4	7.4	7.4	7.4	7.4	7.4	7.4	7.4	7.4	7.4	7.4	7.4	7.4	7.4	131.0
40000	7.1	7.1	7.1	7.1	7.1	7.1	7.1	7.1	7.1	7.1	7.1	7.1	7.1	7.1	7.1	7.1	7.1	128.6
50000	7.0	7.0	7.0	7.0	7.0	7.0	7.0	7.0	7.0	7.0	7.0	7.0	7.0	7.0	7.0	7.0	7.0	127.5
63000	7.2	7.2	7.2	7.2	7.2	7.2	7.2	7.2	7.2	7.2	7.2	7.2	7.2	7.2	7.2	7.2	7.2	129.7
80000	7.3	7.3	7.3	7.3	7.3	7.3	7.3	7.3	7.3	7.3	7.3	7.3	7.3	7.3	7.3	7.3	7.3	133.7
OVERALL MEASURED																		
OVERALL CALCULATED		106.8	107.9	107.6	108.0	108.7	109.4	109.9	111.8	113.4	116.5	121.1	125.4	125.1	124.1			159.2
PND8		158.4	119.8	119.6	119.8	120.1	128.7	121.0	123.2	125.0	128.3	132.0	135.1	132.8	131.4			

REV.	ALPHA 12478	FREQ.	ANGLES FROM INLET IN DEGREES (AND RADIAN'S)																PWL	
			30	40	50	60	70	80	90	100	110	120	130	140	150	160				
			(0.52)	(0.70)	(0.87)	(1.05)	(1.22)	(1.40)	(1.57)	(1.75)	(1.92)	(2.09)	(2.27)	(2.44)	(2.62)	(2.79)	(0.0)	(0.0)	(0.0)	
	NO. EQ.	28	89.3	89.8	70.4	70.4	71.0	72.3	71.9	73.0	73.9	76.3	77.5	81.5	84.1	88.7				125.4
	BCG. NO.	50	73.3	74.1	74.2	74.2	74.5	74.9	75.0	75.7	76.6	81.1	82.3	88.1	88.5	99.8				127.3
	RADIAL 40' FM.	100	79.9	78.7	79.2	78.9	78.9	81.2	82.2	83.3	84.0	86.9	89.2	94.0	97.5	103.7				128.7
	1 12' M)	125	82.7	81.2	81.0	82.2	81.2	83.7	85.2	85.7	87.0	90.2	92.5	96.4	99.6	105.0				132.3
	VEHICLE JENOTS	150	88.2	85.4	84.4	84.9	84.9	86.4	88.6	88.9	90.9	93.7	95.4	100.2	102.6	107.4				134.2
	CONFIG JENOTS	200	88.3	87.6	85.0	85.0	85.8	87.0	88.0	89.3	91.0	95.0	99.6	103.6	106.7	111.8				137.1
	LCC EVENDALB	250	90.0	89.0	87.3	87.0	87.5	88.8	88.8	90.8	92.8	98.5	102.8	105.5	108.7	113.1				140.9
	DATE 04-29-75	315	91.5	89.5	88.3	90.8	91.3	91.7	90.5	95.3	96.5	101.8	105.5	107.1	110.9	113.0				141.4
	RUN DBTF-MODEL 6	400	89.9	87.7	88.3	89.7	90.4	91.0	91.8	95.1	96.6	101.8	103.8	109.5	112.2	119.9				144.1
	TARE X50600	500	92.5	93.6	92.3	90.8	90.7	92.6	94.2	96.7	97.9	101.7	107.0	114.4	116.3	122.8				147.1
	BAR 29.9 HG	530	95.1	95.2	94.2	92.5	93.0	92.5	94.9	96.6	97.2	102.7	110.0	115.6	116.2	124.8				148.9
	401039, N/M2)	500	96.2	95.4	94.9	94.8	94.3	94.5	95.7	99.1	100.0	105.3	111.7	116.3	115.7	125.9				149.5
	TAMB 59' DEG F	1000	96.8	94.1	94.3	94.7	94.8	95.9	96.9	98.6	100.4	105.8	112.0	114.9	113.6	122.7				149.3
	(288, DEG K)	1250	96.3	95.2	95.1	95.1	95.5	96.2	97.4	99.4	100.7	106.6	113.6	117.2	113.7	122.2				149.6
	WET 53' DEG F	1500	95.3	95.5	94.9	95.1	95.6	96.5	97.5	100.0	101.8	106.6	112.8	115.2	113.1	121.0				148.3
	(285, DEG K)	2000	96.3	95.1	94.0	96.4	96.2	96.6	97.3	99.1	101.7	105.9	111.7	115.0	112.1	120.5				147.8
	WABT 8.91 GM/M3	2500	96.1	95.8	95.0	94.2	94.4	95.2	96.7	99.2	101.6	105.6	109.5	114.2	109.2	115.0				146.4
	4,00891 KG/M3)	3120	94.8	95.1	94.8	95.2	94.8	95.1	95.5	98.6	100.0	105.1	108.9	111.9	107.5	112.0				145.0
	FREQ. SHIFT	4000	92.6	94.2	93.2	94.0	94.4	95.0	95.1	98.2	100.3	104.1	107.5	108.8	102.8	109.8				143.0
	JET 0	5000	92.0	94.3	93.9	93.6	93.8	95.1	96.0	98.0	100.3	103.7	106.2	107.4	99.7	96.3				142.0
	DIAMETER RATIO	6300	91.7	94.8	94.7	95.3	95.4	95.7	95.6	97.6	99.8	102.1	103.6	104.7	97.3	92.8				140.6
	DF/DM 1.00	8000	91.2	95.4	95.0	95.7	96.7	96.8	96.2	98.7	101.0	101.4	102.1	102.0	94.9	91.9				140.3
		10000	90.5	94.4	95.2	96.5	98.0	97.1	98.0	100.0	101.4	103.2	99.9	99.5	93.4	91.3				140.9
		12500	88.6	92.6	93.2	94.7	96.6	97.1	98.4	100.7	101.2	103.5	98.7	97.1	92.6	90.2				140.9
		16000	85.2	89.3	90.3	91.1	93.0	94.3	95.1	97.9	98.9	99.8	97.7	94.5	89.8	87.1				138.4
		20000	81.0	85.3	86.5	88.1	89.4	90.1	91.2	93.2	95.6	96.1	94.0	90.5	85.3	83.1				135.0
291		25000	77.1	81.8	83.8	84.4	85.6	87.1	88.0	89.8	92.0	93.3	89.0	89.2	86.5	81.5				132.3
		31500	72.4	77.0	78.8	80.0	81.3	84.1	84.4	86.4	88.3	89.7	85.9	87.7	85.8	77.7				129.4
		40000	70.4	73.6	74.9	76.2	76.7	78.3	79.2	81.1	84.5	86.0	82.2	87.2	81.4	79.1				126.7
		50000	70.5	71.7	71.9	73.5	73.6	77.9	76.2	78.1	82.6	84.8	82.8	81.2	81.1	81.2				127.9
		63000	72.7	72.4	71.1	73.3	74.1	76.6	74.6	76.9	82.6	86.7	85.1	83.0	83.2	84.0				131.7
		80000	73.8	72.7	71.7	74.0	75.2	77.6	75.4	77.4	83.8	88.8	86.1	94.8	85.1	85.8				136.4
	OVERALL MEASURED																			
	OVERALL CALCULATED		106.7	107.0	106.6	107.1	107.6	108.1	108.9	111.3	113.0	116.9	121.6	125.3	124.5	128.1				158.9
	PND8		119.1	119.8	118.9	119.3	119.4	119.9	120.6	123.1	124.9	129.1	133.1	136.6	133.8	131.8				

ORIGINAL PAGE IS OF POOR QUALITY

MODEL SOUND PRESSURE LEVELS (59 DEG F, 70 PERCENT REL. HUM, DAY - JENOTS)

REV, ALPHA 12/73	FREQ.	ANGLES FROM INLET IN DEGREES (AND RADIANS)														*ML*
		30	40	50	60	70	80	90	100	110	120	130	140	150	160	
NO EGA	59	72,3	71,3	74,1	73,9	73,5	74,1	76,6	70,5	69,1	68,3	69,5	71,0	85,8	81,0	113,7
REG. NO:	63	72,3	72,1	73,7	74,5	73,8	74,4	71,8	71,9	71,4	71,1	72,1	74,4	71,0	83,3	115,1
RADIAL (12. X)	100	71,7	71,9	74,9	74,7	74,7	75,9	75,7	76,8	77,5	77,7	79,2	83,0	82,0	89,7	117,1
VEHICLE JENOTS	125	76,7	72,2	75,5	75,5	74,7	77,0	77,9	78,0	79,2	81,0	83,0	86,1	85,8	92,8	123,0
CONFIG JE-054	160	87,4	75,4	75,9	76,9	76,2	79,7	80,6	80,2	82,4	83,2	83,9	87,2	87,9	95,1	125,5
LCC EVENDALE	200	83,8	78,3	77,8	77,5	78,5	81,5	81,0	81,3	82,0	85,0	85,6	88,9	90,9	96,8	126,9
DATE 04-15-75	250	81,5	79,8	80,5	80,8	80,8	81,0	81,3	82,8	82,0	86,5	86,3	89,8	93,2	98,4	128,7
RUN CBTF-MODEL 7	315	84,3	80,8	80,3	81,8	83,0	84,0	82,3	86,0	85,8	87,5	89,5	91,6	94,7	101,3	130,7
TAPE X70010	400	78,2	76,5	76,3	79,2	81,2	81,2	82,6	84,1	85,1	87,3	85,8	93,0	95,5	96,6	128,9
BAR 29.9 HG	500	78,8	79,6	81,3	80,0	81,5	82,4	84,2	85,2	86,4	87,4	88,7	95,4	95,6	97,3	130,0
(01039; 11/42)	600	79,6	81,2	82,7	81,5	82,5	82,5	85,1	86,1	87,2	87,5	89,0	94,1	95,4	100,1	130,7
TAMB 59 DEG F	800	80,5	81,9	83,1	82,5	83,0	83,3	84,4	87,6	87,8	90,3	91,7	93,8	94,0	98,2	130,4
(288; DEG K)	1000	82,3	81,6	83,3	82,7	83,8	84,2	85,9	87,8	88,1	90,1	91,2	92,9	93,1	94,7	129,6
TLET 53 DEG F	1250	81,0	81,4	83,1	82,6	82,7	84,4	85,9	86,9	87,7	89,6	91,6	93,2	92,7	91,2	129,2
(265; DEG K)	1600	81,1	82,3	82,4	82,8	83,6	84,8	86,3	87,5	87,1	89,0	90,9	91,7	90,7	89,0	128,5
HACT 8.91 GM/M3	2000	81,7	81,4	81,3	83,0	84,0	84,9	85,1	87,1	86,5	87,9	90,0	91,8	90,2	87,6	128,0
(100691 KG/M3)	2500	82,1	81,9	82,1	81,6	81,9	84,0	84,8	86,3	87,6	88,2	89,6	90,8	88,0	85,8	127,4
FREQ. SHIFT	3150	79,9	80,0	81,2	81,8	82,2	83,2	83,9	85,5	85,7	88,0	89,1	89,8	87,7	85,5	126,8
JET 0	4000	77,6	79,6	79,7	80,2	81,1	82,8	83,6	85,4	85,2	87,1	88,0	88,5	86,5	84,7	126,0
DIAMETER RATIO	5000	76,5	78,3	79,6	79,3	79,5	81,1	81,8	84,3	85,3	86,5	86,7	87,9	85,0	83,3	125,1
DP/DN 1.00	6300	75,3	78,1	78,8	79,4	80,8	80,8	81,0	82,7	83,4	85,0	85,7	85,8	83,4	81,7	124,0
10000	8000	75,4	77,5	78,0	78,0	79,2	80,8	80,7	81,9	82,8	83,9	84,1	84,2	81,6	81,1	123,1
12500	10000	74,1	76,3	77,1	77,9	79,1	79,5	79,3	81,4	82,0	83,3	83,2	82,1	80,5	80,1	122,6
16000	12500	72,7	75,5	76,1	76,3	78,0	78,7	79,3	81,4	80,3	82,2	82,1	81,5	79,5	78,6	121,9
20000	16000	71,6	74,1	75,1	75,7	77,1	77,9	78,0	79,5	80,0	81,2	80,6	79,9	77,9	76,7	121,2
25000	20000	70,9	73,7	73,9	74,7	75,4	76,4	77,3	78,3	79,2	79,7	79,1	77,8	76,4	75,4	120,4
31500	25000	70,8	72,8	80,5	79,9	79,6	80,1	81,3	84,3	83,3	84,4	80,6	78,0	77,6	77,0	125,3
40000	31500	74,0	70,4	76,0	74,9	73,5	74,5	74,8	76,5	76,9	78,6	77,3	75,1	74,9	73,6	120,4
50000	40000	70,2	74,2	73,9	72,5	71,0	70,8	70,0	71,7	71,8	71,8	72,0	70,5	70,2	71,4	116,9
63000	50000	64,3	68,5	69,3	68,8	67,7	68,8	68,1	69,3	68,8	71,2	69,4	67,6	67,2	71,6	114,9
80000	63000	63,8	63,0	63,6	63,8	63,4	65,4	64,6	67,2	65,6	68,3	67,1	65,8	65,0	73,1	114,1
100000	80000	59,9	57,8	58,3	58,6	58,6	64,2	64,0	67,5	63,6	69,4	65,9	66,2	64,7	75,1	116,9
OVERALL MEASURED																
OVERALL CALCULATED		94,5	93,8	94,4	94,3	95,1	96,1	96,9	98,6	99,2	100,6	101,8	104,2	104,7	108,2	141,4
PND8		105,6	105,5	106,1	106,5	107,1	108,2	108,8	110,5	111,3	112,7	113,8	115,3	114,3	116,0	

ORIGINAL PAGE IS OF POOR QUALITY

REV. ALPHA 12/73	FREQ.	ANGLES FROM INLET IN DEGREES (AND RADIANS)															PWL																																																																																																																																																																																																																																																																																																																																																																																																																																																																																																																																																																																																																																																																																																																																																																																																																																																																																																																																																																																																																																																																																			
		30	40	50	60	70	80	90	100	110	120	130	140	150	160	0		0	0																																																																																																																																																																																																																																																																																																																																																																																																																																																																																																																																																																																																																																																																																																																																																																																																																																																																																																																																																																																																																																																																																	
NO E3A	50	70.1	70.6	71.9	73.2	74.5	75.8	77.1	78.4	79.7	81.0	82.3	83.6	84.9	86.2	87.5	88.8	90.1	91.4	92.7	94.0	95.3	96.6	97.9	99.2	100.5	101.8	103.1	104.4	105.7	107.0	108.3	109.6	110.9	112.2	113.5	114.8	116.1	117.4	118.7	120.0	121.3	122.6	123.9	125.2	126.5	127.8	129.1	130.4	131.7	133.0	134.3	135.6	136.9	138.2	139.5	140.8	142.1	143.4	144.7	146.0	147.3	148.6	149.9	151.2	152.5	153.8	155.1	156.4	157.7	159.0	160.3	161.6	162.9	164.2	165.5	166.8	168.1	169.4	170.7	172.0	173.3	174.6	175.9	177.2	178.5	179.8	181.1	182.4	183.7	185.0	186.3	187.6	188.9	190.2	191.5	192.8	194.1	195.4	196.7	198.0	199.3	200.6	201.9	203.2	204.5	205.8	207.1	208.4	209.7	211.0	212.3	213.6	214.9	216.2	217.5	218.8	220.1	221.4	222.7	224.0	225.3	226.6	227.9	229.2	230.5	231.8	233.1	234.4	235.7	237.0	238.3	239.6	240.9	242.2	243.5	244.8	246.1	247.4	248.7	250.0	251.3	252.6	253.9	255.2	256.5	257.8	259.1	260.4	261.7	263.0	264.3	265.6	266.9	268.2	269.5	270.8	272.1	273.4	274.7	276.0	277.3	278.6	279.9	281.2	282.5	283.8	285.1	286.4	287.7	289.0	290.3	291.6	292.9	294.2	295.5	296.8	298.1	299.4	300.7	302.0	303.3	304.6	305.9	307.2	308.5	309.8	311.1	312.4	313.7	315.0	316.3	317.6	318.9	320.2	321.5	322.8	324.1	325.4	326.7	328.0	329.3	330.6	331.9	333.2	334.5	335.8	337.1	338.4	339.7	341.0	342.3	343.6	344.9	346.2	347.5	348.8	350.1	351.4	352.7	354.0	355.3	356.6	357.9	359.2	360.5	361.8	363.1	364.4	365.7	367.0	368.3	369.6	370.9	372.2	373.5	374.8	376.1	377.4	378.7	380.0	381.3	382.6	383.9	385.2	386.5	387.8	389.1	390.4	391.7	393.0	394.3	395.6	396.9	398.2	399.5	400.8	402.1	403.4	404.7	406.0	407.3	408.6	409.9	411.2	412.5	413.8	415.1	416.4	417.7	419.0	420.3	421.6	422.9	424.2	425.5	426.8	428.1	429.4	430.7	432.0	433.3	434.6	435.9	437.2	438.5	439.8	441.1	442.4	443.7	445.0	446.3	447.6	448.9	450.2	451.5	452.8	454.1	455.4	456.7	458.0	459.3	460.6	461.9	463.2	464.5	465.8	467.1	468.4	469.7	471.0	472.3	473.6	474.9	476.2	477.5	478.8	480.1	481.4	482.7	484.0	485.3	486.6	487.9	489.2	490.5	491.8	493.1	494.4	495.7	497.0	498.3	499.6	500.9	502.2	503.5	504.8	506.1	507.4	508.7	510.0	511.3	512.6	513.9	515.2	516.5	517.8	519.1	520.4	521.7	523.0	524.3	525.6	526.9	528.2	529.5	530.8	532.1	533.4	534.7	536.0	537.3	538.6	540.0	541.3	542.6	543.9	545.2	546.5	547.8	549.1	550.4	551.7	553.0	554.3	555.6	556.9	558.2	559.5	560.8	562.1	563.4	564.7	566.0	567.3	568.6	570.0	571.3	572.6	573.9	575.2	576.5	577.8	579.1	580.4	581.7	583.0	584.3	585.6	586.9	588.2	589.5	590.8	592.1	593.4	594.7	596.0	597.3	598.6	600.0	601.3	602.6	603.9	605.2	606.5	607.8	609.1	610.4	611.7	613.0	614.3	615.6	616.9	618.2	619.5	620.8	622.1	623.4	624.7	626.0	627.3	628.6	630.0	631.3	632.6	633.9	635.2	636.5	637.8	639.1	640.4	641.7	643.0	644.3	645.6	646.9	648.2	649.5	650.8	652.1	653.4	654.7	656.0	657.3	658.6	660.0	661.3	662.6	663.9	665.2	666.5	667.8	669.1	670.4	671.7	673.0	674.3	675.6	676.9	678.2	679.5	680.8	682.1	683.4	684.7	686.0	687.3	688.6	690.0	691.3	692.6	693.9	695.2	696.5	697.8	699.1	700.4	701.7	703.0	704.3	705.6	706.9	708.2	709.5	710.8	712.1	713.4	714.7	716.0	717.3	718.6	720.0	721.3	722.6	723.9	725.2	726.5	727.8	729.1	730.4	731.7	733.0	734.3	735.6	736.9	738.2	739.5	740.8	742.1	743.4	744.7	746.0	747.3	748.6	750.0	751.3	752.6	753.9	755.2	756.5	757.8	759.1	760.4	761.7	763.0	764.3	765.6	766.9	768.2	769.5	770.8	772.1	773.4	774.7	776.0	777.3	778.6	780.0	781.3	782.6	783.9	785.2	786.5	787.8	789.1	790.4	791.7	793.0	794.3	795.6	796.9	798.2	799.5	800.8	802.1	803.4	804.7	806.0	807.3	808.6	810.0	811.3	812.6	813.9	815.2	816.5	817.8	819.1	820.4	821.7	823.0	824.3	825.6	826.9	828.2	829.5	830.8	832.1	833.4	834.7	836.0	837.3	838.6	840.0	841.3	842.6	843.9	845.2	846.5	847.8	849.1	850.4	851.7	853.0	854.3	855.6	856.9	858.2	859.5	860.8	862.1	863.4	864.7	866.0	867.3	868.6	870.0	871.3	872.6	873.9	875.2	876.5	877.8	879.1	880.4	881.7	883.0	884.3	885.6	886.9	888.2	889.5	890.8	892.1	893.4	894.7	896.0	897.3	898.6	900.0	901.3	902.6	903.9	905.2	906.5	907.8	909.1	910.4	911.7	913.0	914.3	915.6	916.9	918.2	919.5	920.8	922.1	923.4	924.7	926.0	927.3	928.6	930.0	931.3	932.6	933.9	935.2	936.5	937.8	939.1	940.4	941.7	943.0	944.3	945.6	946.9	948.2	949.5	950.8	952.1	953.4	954.7	956.0	957.3	958.6	960.0	961.3	962.6	963.9	965.2	966.5	967.8	969.1	970.4	971.7	973.0	974.3	975.6	976.9	978.2	979.5	980.8	982.1	983.4	984.7	986.0	987.3	988.6	990.0	991.3	992.6	993.9	995.2	996.5	997.8	999.1	1000.4	1001.7	1003.0	1004.3	1005.6	1006.9	1008.2	1009.5	1010.8	1012.1	1013.4	1014.7	1016.0	1017.3	1018.6	1020.0	1021.3	1022.6	1023.9	1025.2	1026.5	1027.8	1029.1	1030.4	1031.7	1033.0	1034.3	1035.6	1036.9	1038.2	1039.5	1040.8	1042.1	1043.4	1044.7	1046.0	1047.3	1048.6	1050.0	1051.3	1052.6	1053.9	1055.2	1056.5	1057.8	1059.1	1060.4	1061.7	1063.0	1064.3	1065.6	1066.9	1068.2	1069.5	1070.8	1072.1	1073.4	1074.7	1076.0	1077.3	1078.6	1080.0	1081.3	1082.6	1083.9	1085.2	1086.5	1087.8	1089.1	1090.4	1091.7	1093.0	1094.3	1095.6	1096.9	1098.2	1099.5	1100.8	1102.1	1103.4	1104.7	1106.0	1107.3	1108.6	1110.0	1111.3	1112.6	1113.9	1115.2	1116.5	1117.8	1119.1	1120.4	1121.7	1123.0	1124.3	1125.6	1126.9	1128.2	1129.5	1130.8	1132.1	1133.4	1134.7	1136.0	1137.3	1138.6	1140.0	1141.3	1142.6	1143.9	1145.2	1146.5	1147.8	1149.1	1150.4	1151.7	1153.0	1154.3	1155.6	1156.9	1158.2	1159.5	1160.8	1162.1	1163.4	1164.7	1166.0	1167.3	1168.6	1170.0	1171.3	1172.6	1173.9	1175.2	1176.5	1177.8	1179.1	1180.4	1181.7	1183.0	1184.3	1185.6	1186.9	1188.2	1189.5	1190.8	1192.1	1193.4	1194.7	1196.0	1197.3	1198.6	1200.0	1201.3	1202.6	1203.9	1205.2	1206.5	1207.8	1209.1	1210.4	1211.7	1213.0	1214.3	1215.6	1216.9	1218.2	1219.5	1220.8	1222.1	1223.4	1224.7	1226.0	1227.3	1228.6	1230.0	1231.3	1232.6	1233.9	1235.2	1236.5	1237.8	1239.1	1240.4	1241.7	1243.0	1244.3	1245.6	1246.9	1248.2	1249.5	1250.8	1252.1	1253.4	1254.7	1256.0	1257.3	1258.6	1260.0	1261.3	1262.6	1263.9	1265.2	1266.5	1267.8	1269.1	1270.4	1271.7	1273.0	1274.3	1275.6	1276.9	1278.2	1279.5	1280.8	1282.1	1283.4	1284.7	1286.0	1287.3	1288.6	1290.0	1291.3	1292.6	1293.9	1295.2	1296.5	1297.8	1299.1	1300.4	1301.7	1303.0	1304.3	1305.6	1306.9	1308.2	1309.5	1310.8	1312.1	1313.4	1314.7	1316.0	1317.3	1318.6	1320.0	1321.3	1322.6	1323.9	1325.2	1326.5	1327.8	1329.1	1330.4	1331.7	1333.0	1334.3	1335.6	1336.9	1338.2	1339.5	1340.8	1342.1	1343.4	1344.7	1346.0	1347.3	1348.6	1350.0	1351.3	1352.6	1353.9	1355.2	1356.5	1357.8	1359.1	1360.4	1361.7	1363.0	1364.3	1365.6	1366.9	1368.2	1369.5	1370.8	1372.1	1373.4	1374.7	1376.0	1377.3	1378.6	1380.0	1381.3	1382.6	1383.9	1385.2	1386.5	1387.8	1389.1	1390.4	1391.7	1393.0	1394.3	1395.6	1396.9	1398.2	1399.5	1400.8	1402.1	1403.4	1404.7	1406.0	1407.3	1408.6	1410.0	1411.3	1412.6	1413.9	1415.2	1416.5	1417.8	1419.1	1420.4	1421.7	1423.0	1424.3	1425.6	1426.9	1428.2	1429.5	1430.8	1432.1	1433.4	1434.7	1436.0	1437.3	1438.6	1440.0	1441.3	1442.6	1443.9	1445.2	1446.5	1447.8

REV.	ALPHA 12/73	FREQ.	ANGLES FROM INLET IN DEGREES (AND RADIANS)																PWL'
			31	40	50	60	70	80	90	100	110	120	130	140	150	160	170	180	
	NO EGA	53	77.8	67.6	63.1	67.9	68.2	69.6	70.6	71.3	71.1	73.1	75.5	78.5	73.8	77.0			114.0
	RDS. NO. U.	33	82.1	72.9	73.5	74.1	74.0	74.9	76.8	77.3	77.8	79.9	82.5	86.4	83.5	83.4			120.8
	RADIAL 40, FT.	100	83.4	74.9	76.7	76.2	75.9	77.9	80.0	81.0	81.0	82.5	83.9	86.2	90.0	86.7			125.1
	(12. FT.)	125	83.5	77.7	73.5	78.5	78.0	81.2	84.2	84.2	85.5	88.2	89.7	93.4	93.5	90.3			128.2
	VEHICLE JENOTS	160	93.2	83.7	83.9	81.7	81.9	84.9	87.1	87.4	89.4	93.7	91.9	95.4	96.1	94.1			131.1
	CONFIG JENOTS	230	95.0	83.0	81.8	82.8	83.3	86.5	86.5	87.8	89.0	91.3	93.3	98.3	98.5	96.5			132.9
	LCC EVENDALR	250	95.8	85.3	85.3	85.8	86.4	86.8	87.0	89.4	93.8	92.8	95.8	99.4	101.7	94.1			134.8
	DATE 04-15-75	315	98.8	85.8	86.8	86.8	87.8	88.7	87.5	91.0	90.8	93.5	97.3	99.6	103.4	97.5			136.0
	RUN DBTF-MODEL 7	440	94.9	83.2	84.6	85.9	87.7	87.7	89.6	90.6	92.3	95.3	95.5	102.0	104.2	93.9			136.4
	TAPE X70350	510	96.8	87.3	88.3	87.0	88.5	89.4	91.2	93.2	94.4	95.9	98.5	104.9	104.8	92.3			138.1
	SAR 2979 HG	630	97.6	89.2	90.0	88.5	90.0	89.8	92.1	94.1	95.4	97.2	100.5	104.8	105.2	94.6			138.8
	(01039, N/42)	805	98.5	89.7	89.9	90.3	91.3	91.3	92.7	96.1	96.5	100.3	102.5	104.0	102.7	93.5			139.0
	TAMB 59 DEG F	1000	100.8	89.9	91.8	90.2	91.5	92.9	94.4	96.6	97.4	101.3	103.7	103.9	102.1	89.9			139.7
	(288 DEG K)	1250	100.5	91.7	91.6	91.3	92.5	93.2	94.9	96.9	98.4	102.4	103.1	105.2	102.2	89.2			140.6
	T-ET 53 DEG F	1600	100.6	91.8	91.2	92.3	93.1	94.5	96.1	97.0	98.9	102.5	104.6	104.2	102.2	89.0			140.5
	(285 DEG K)	2000	101.7	91.9	90.6	93.0	93.8	94.9	95.3	97.4	99.3	102.9	104.5	106.3	102.4	90.1			141.1
	WACT 8.91 GH/M3	2500	100.9	92.4	91.8	92.1	92.9	94.3	96.0	98.0	100.1	103.2	104.1	105.3	102.5	90.6			141.0
	(100891 KG/M3)	3150	100.9	92.3	92.2	92.8	93.5	95.0	95.9	98.3	99.4	103.5	104.3	105.0	103.5	91.0			141.2
	FREQ. SHIFT	4000	99.6	91.4	91.2	91.7	92.8	94.8	96.3	98.6	100.5	103.1	103.5	104.5	102.5	91.4			140.8
	JET 0	5000	99.7	92.0	91.9	92.1	93.0	94.6	96.0	98.5	101.1	103.7	103.7	104.6	102.5	93.1			141.2
	DIAMETER RATIO	6300	101.1	94.6	93.8	92.9	93.7	95.0	95.5	98.2	100.9	103.3	103.4	104.3	103.9	94.4			141.4
	DF/CM 1.00	8000	101.9	96.5	95.0	94.5	94.5	94.8	95.4	98.1	100.2	102.4	102.9	103.4	104.8	95.1			141.5
		10000	104.1	99.5	98.1	97.1	96.3	95.5	95.8	98.1	99.7	102.0	102.5	102.8	104.3	94.6			142.1
		12500	101.7	97.0	98.6	98.8	98.5	97.0	96.3	97.1	98.8	101.2	101.8	103.0	103.2	93.4			142.0
		16000	99.8	94.1	94.9	96.7	98.6	98.6	97.0	97.5	98.0	103.2	100.6	101.4	102.1	91.2			141.4
		20000	96.9	92.2	93.1	93.7	94.9	96.4	96.5	96.3	97.2	98.2	99.1	99.6	100.1	89.7			140.0
295		25000	95.3	93.8	91.8	92.9	92.9	93.6	94.8	96.6	95.8	96.9	96.8	97.2	98.6	87.8			139.0
		31500	92.8	89.2	89.0	90.2	90.5	91.8	92.6	94.3	93.9	94.1	95.3	94.6	96.2	85.1			137.3
		40000	89.7	85.2	86.7	87.7	87.5	88.8	88.8	90.4	90.8	91.1	92.5	91.7	93.9	83.2			135.0
		50000	86.6	82.0	83.8	84.8	84.5	85.3	86.3	87.5	88.3	88.7	89.9	89.1	92.2	80.8			133.5
		63000	83.0	78.5	81.4	81.8	81.1	82.4	82.9	84.7	84.9	86.0	87.9	86.3	90.5	78.8			132.7
		80000	77.9	73.0	76.8	78.4	77.4	78.7	79.5	81.5	80.9	83.6	84.7	83.7	88.7	77.4			132.7
	OVERALL MEASURED																		
	OVERALL CALCULATED		113.4	106.4	106.4	106.6	107.1	107.7	108.4	110.2	111.8	114.5	115.7	117.0	116.5	107.0			153.8
	PNDS		125.3	116.9	116.6	116.8	117.5	118.8	120.0	122.2	124.0	126.9	128.0	129.3	128.2	118.0			

ORIGINAL PAGE IS OF POOR QUALITY

MODEL SOUND PRESSURE LEVELS (59' DEG. F, 70 PERCENT REL. HUM, DAY - JENDTS)
 PROC. DATE: MONTH. 4 DAY 29 HR. 19:9

REV. ALPHA 12/73	FREQ.	ANGLES FROM INLET IN DEGREES (AND RADIANS)																PWL																																																																																																																																																																																																																																																																																																																																																																																																																																																																																																																																																																																																																																																																																																																																																																																																																																																																																																																																																																																																																																															
		30	40	50	60	70	80	90	100	110	120	130	140	150	160	0	0		0																																																																																																																																																																																																																																																																																																																																																																																																																																																																																																																																																																																																																																																																																																																																																																																																																																																																																																																																																																																																																																														
NO EGA	50	85.1	86.6	89.1	91.7	94.0	96.9	99.1	101.3	103.6	106.3	109.1	112.1	115.1	118.1	121.1	124.1	127.1	130.1	133.1	136.1	139.1	142.1	145.1	148.1	151.1	154.1	157.1	160.1	163.1	166.1	169.1	172.1	175.1	178.1	181.1	184.1	187.1	190.1	193.1	196.1	199.1	202.1	205.1	208.1	211.1	214.1	217.1	220.1	223.1	226.1	229.1	232.1	235.1	238.1	241.1	244.1	247.1	250.1	253.1	256.1	259.1	262.1	265.1	268.1	271.1	274.1	277.1	280.1	283.1	286.1	289.1	292.1	295.1	298.1	301.1	304.1	307.1	310.1	313.1	316.1	319.1	322.1	325.1	328.1	331.1	334.1	337.1	340.1	343.1	346.1	349.1	352.1	355.1	358.1	361.1	364.1	367.1	370.1	373.1	376.1	379.1	382.1	385.1	388.1	391.1	394.1	397.1	400.1	403.1	406.1	409.1	412.1	415.1	418.1	421.1	424.1	427.1	430.1	433.1	436.1	439.1	442.1	445.1	448.1	451.1	454.1	457.1	460.1	463.1	466.1	469.1	472.1	475.1	478.1	481.1	484.1	487.1	490.1	493.1	496.1	499.1	502.1	505.1	508.1	511.1	514.1	517.1	520.1	523.1	526.1	529.1	532.1	535.1	538.1	541.1	544.1	547.1	550.1	553.1	556.1	559.1	562.1	565.1	568.1	571.1	574.1	577.1	580.1	583.1	586.1	589.1	592.1	595.1	598.1	601.1	604.1	607.1	610.1	613.1	616.1	619.1	622.1	625.1	628.1	631.1	634.1	637.1	640.1	643.1	646.1	649.1	652.1	655.1	658.1	661.1	664.1	667.1	670.1	673.1	676.1	679.1	682.1	685.1	688.1	691.1	694.1	697.1	700.1	703.1	706.1	709.1	712.1	715.1	718.1	721.1	724.1	727.1	730.1	733.1	736.1	739.1	742.1	745.1	748.1	751.1	754.1	757.1	760.1	763.1	766.1	769.1	772.1	775.1	778.1	781.1	784.1	787.1	790.1	793.1	796.1	799.1	802.1	805.1	808.1	811.1	814.1	817.1	820.1	823.1	826.1	829.1	832.1	835.1	838.1	841.1	844.1	847.1	850.1	853.1	856.1	859.1	862.1	865.1	868.1	871.1	874.1	877.1	880.1	883.1	886.1	889.1	892.1	895.1	898.1	901.1	904.1	907.1	910.1	913.1	916.1	919.1	922.1	925.1	928.1	931.1	934.1	937.1	940.1	943.1	946.1	949.1	952.1	955.1	958.1	961.1	964.1	967.1	970.1	973.1	976.1	979.1	982.1	985.1	988.1	991.1	994.1	997.1	1000.1	1003.1	1006.1	1009.1	1012.1	1015.1	1018.1	1021.1	1024.1	1027.1	1030.1	1033.1	1036.1	1039.1	1042.1	1045.1	1048.1	1051.1	1054.1	1057.1	1060.1	1063.1	1066.1	1069.1	1072.1	1075.1	1078.1	1081.1	1084.1	1087.1	1090.1	1093.1	1096.1	1099.1	1102.1	1105.1	1108.1	1111.1	1114.1	1117.1	1120.1	1123.1	1126.1	1129.1	1132.1	1135.1	1138.1	1141.1	1144.1	1147.1	1150.1	1153.1	1156.1	1159.1	1162.1	1165.1	1168.1	1171.1	1174.1	1177.1	1180.1	1183.1	1186.1	1189.1	1192.1	1195.1	1198.1	1201.1	1204.1	1207.1	1210.1	1213.1	1216.1	1219.1	1222.1	1225.1	1228.1	1231.1	1234.1	1237.1	1240.1	1243.1	1246.1	1249.1	1252.1	1255.1	1258.1	1261.1	1264.1	1267.1	1270.1	1273.1	1276.1	1279.1	1282.1	1285.1	1288.1	1291.1	1294.1	1297.1	1300.1	1303.1	1306.1	1309.1	1312.1	1315.1	1318.1	1321.1	1324.1	1327.1	1330.1	1333.1	1336.1	1339.1	1342.1	1345.1	1348.1	1351.1	1354.1	1357.1	1360.1	1363.1	1366.1	1369.1	1372.1	1375.1	1378.1	1381.1	1384.1	1387.1	1390.1	1393.1	1396.1	1399.1	1402.1	1405.1	1408.1	1411.1	1414.1	1417.1	1420.1	1423.1	1426.1	1429.1	1432.1	1435.1	1438.1	1441.1	1444.1	1447.1	1450.1	1453.1	1456.1	1459.1	1462.1	1465.1	1468.1	1471.1	1474.1	1477.1	1480.1	1483.1	1486.1	1489.1	1492.1	1495.1	1498.1	1501.1	1504.1	1507.1	1510.1	1513.1	1516.1	1519.1	1522.1	1525.1	1528.1	1531.1	1534.1	1537.1	1540.1	1543.1	1546.1	1549.1	1552.1	1555.1	1558.1	1561.1	1564.1	1567.1	1570.1	1573.1	1576.1	1579.1	1582.1	1585.1	1588.1	1591.1	1594.1	1597.1	1600.1	1603.1	1606.1	1609.1	1612.1	1615.1	1618.1	1621.1	1624.1	1627.1	1630.1	1633.1	1636.1	1639.1	1642.1	1645.1	1648.1	1651.1	1654.1	1657.1	1660.1	1663.1	1666.1	1669.1	1672.1	1675.1	1678.1	1681.1	1684.1	1687.1	1690.1	1693.1	1696.1	1699.1	1702.1	1705.1	1708.1	1711.1	1714.1	1717.1	1720.1	1723.1	1726.1	1729.1	1732.1	1735.1	1738.1	1741.1	1744.1	1747.1	1750.1	1753.1	1756.1	1759.1	1762.1	1765.1	1768.1	1771.1	1774.1	1777.1	1780.1	1783.1	1786.1	1789.1	1792.1	1795.1	1798.1	1801.1	1804.1	1807.1	1810.1	1813.1	1816.1	1819.1	1822.1	1825.1	1828.1	1831.1	1834.1	1837.1	1840.1	1843.1	1846.1	1849.1	1852.1	1855.1	1858.1	1861.1	1864.1	1867.1	1870.1	1873.1	1876.1	1879.1	1882.1	1885.1	1888.1	1891.1	1894.1	1897.1	1900.1	1903.1	1906.1	1909.1	1912.1	1915.1	1918.1	1921.1	1924.1	1927.1	1930.1	1933.1	1936.1	1939.1	1942.1	1945.1	1948.1	1951.1	1954.1	1957.1	1960.1	1963.1	1966.1	1969.1	1972.1	1975.1	1978.1	1981.1	1984.1	1987.1	1990.1	1993.1	1996.1	1999.1	2002.1	2005.1	2008.1	2011.1	2014.1	2017.1	2020.1	2023.1	2026.1	2029.1	2032.1	2035.1	2038.1	2041.1	2044.1	2047.1	2050.1	2053.1	2056.1	2059.1	2062.1	2065.1	2068.1	2071.1	2074.1	2077.1	2080.1	2083.1	2086.1	2089.1	2092.1	2095.1	2098.1	2101.1	2104.1	2107.1	2110.1	2113.1	2116.1	2119.1	2122.1	2125.1	2128.1	2131.1	2134.1	2137.1	2140.1	2143.1	2146.1	2149.1	2152.1	2155.1	2158.1	2161.1	2164.1	2167.1	2170.1	2173.1	2176.1	2179.1	2182.1	2185.1	2188.1	2191.1	2194.1	2197.1	2200.1	2203.1	2206.1	2209.1	2212.1	2215.1	2218.1	2221.1	2224.1	2227.1	2230.1	2233.1	2236.1	2239.1	2242.1	2245.1	2248.1	2251.1	2254.1	2257.1	2260.1	2263.1	2266.1	2269.1	2272.1	2275.1	2278.1	2281.1	2284.1	2287.1	2290.1	2293.1	2296.1	2299.1	2302.1	2305.1	2308.1	2311.1	2314.1	2317.1	2320.1	2323.1	2326.1	2329.1	2332.1	2335.1	2338.1	2341.1	2344.1	2347.1	2350.1	2353.1	2356.1	2359.1	2362.1	2365.1	2368.1	2371.1	2374.1	2377.1	2380.1	2383.1	2386.1	2389.1	2392.1	2395.1	2398.1	2401.1	2404.1	2407.1	2410.1	2413.1	2416.1	2419.1	2422.1	2425.1	2428.1	2431.1	2434.1	2437.1	2440.1	2443.1	2446.1	2449.1	2452.1	2455.1	2458.1	2461.1	2464.1	2467.1	2470.1	2473.1	2476.1	2479.1	2482.1	2485.1	2488.1	2491.1	2494.1	2497.1	2500.1	2503.1	2506.1	2509.1	2512.1	2515.1	2518.1	2521.1	2524.1	2527.1	2530.1	2533.1	2536.1	2539.1	2542.1	2545.1	2548.1	2551.1	2554.1	2557.1	2560.1	2563.1	2566.1	2569.1	2572.1	2575.1	2578.1	2581.1	2584.1	2587.1	2590.1	2593.1	2596.1	2599.1	2602.1	2605.1	2608.1	2611.1	2614.1	2617.1	2620.1	2623.1	2626.1	2629.1	2632.1	2635.1	2638.1	2641.1	2644.1	2647.1	2650.1	2653.1	2656.1	2659.1	2662.1	2665.1	2668.1	2671.1	2674.1	2677.1	2680.1	2683.1	2686.1	2689.1	2692.1	2695.1	2698.1	2701.1	2704.1	2707.1	2710.1	2713.1	2716.1	2719.1	2722.1	2725.1	2728.1	2731.1	2734.1	2737.1	2740.1	2743.1	2746.1	2749.1	2752.1	2755.1	2758.1	2761.1	2764.1	2767.1	2770.1	2773.1	2776.1	2779.1	2782.1	2785.1	2788.1	2791.1	2794.1	2797.1	2800.1	2803.1	2806.1	2809.1	2812.1	2815.1	2818.1	2821.1	2824.1	2827.1	2830.1	2833.1	2836.1	2839.1	2842.1	2845.1	2848.1	2851.1	2854.1	2857.1	2860.1	2863.1	2866.1	2869.1	2872.1	2875.1	2878.1	2881.1	2884.1	2887.1	2890.1	2893.1	2896.1	2899.1	2902.1	2905.1	2908.1	2911.1	2914.1	2917.1	2920.1	2923.1	2926.1	2929.1	2932.1	2935.1	2938.1	2941.1	2944.1	2947.1	2950.1	2953.1	2956.1	2959.1	2962.1	2965.1	2968.1	2971.1	2974.1	2977.1	2980.1	2983.1	2986.1	2989.1	2992.1	2995.1	2998.1	3001.1	3004.1	3007.1	3010.1	3013.1	3016.1	3019.1	3022.1	3025.1	3028.1	3031.1	3034.1	3037.1	3040.1	3043.1	3046.1	3049.1	3052.1	3055.1	3058.1	3061.1	3064.1	3067.1	3070.1	3073.1	3076.1	3079.1	3082.1	3085.1	3088.1	3091.1	3094.1	3097.1	3100.1	3103.1	3106.1	3109.1	3112.1	3115.1	3118.1	3121.1	3124.1	3127.1	3130.1	3133.1	3136.1	3139.1	3142.1	3145.1	314

MODEL SOUND PRESSURE LEVEL'S (59. DEG. F, 70 PERCENT REL. HUM. DAY - JENOTS)

REV. ALPHA 12/74	FREQ.	ANGLES FROM INLET IN DEGREES (AND RADIANS)															PWL
		30	40	50	60	70	80	90	100	110	120	130	140	150	160	180	
NO EQA	50	75.8	77.3	79.1	84.2	82.5	80.1	78.1	77.0	66.4	65.3	65.5	79.0	72.1	86.7		120.5
PADIAL 40 FT.	100	76.6	77.1	79.9	85.2	83.0	80.4	79.0	78.9	68.1	67.8	68.6	82.4	76.0	89.6		121.9
VEHICLE JENOTS	150	76.9	78.4	81.4	84.4	83.0	79.7	79.1	79.3	70.1	73.6	71.2	86.4	78.3	92.4		123.1
CCAFIG JET054	200	78.5	78.7	83.2	85.0	83.5	81.9	81.5	82.6	73.7	74.2	75.2	90.8	84.8	96.7		126.3
LCC EVENLACE	250	83.4	81.7	86.2	86.2	85.2	85.4	86.1	85.7	83.9	79.9	79.7	94.7	87.6	101.6		128.8
DATE 34-15-75	315	83.3	84.0	87.3	86.5	85.8	86.3	85.5	86.3	80.3	83.3	82.6	98.1	90.2	102.8		130.6
RLA DBTF=MODEL 7	400	84.8	85.3	84.8	87.3	86.0	86.0	87.2	88.2	84.2	82.5	85.7	99.3	94.1	103.9		132.4
TAPE X70080	500	87.2	85.3	90.0	88.0	87.8	88.7	87.3	90.8	81.5	84.5	87.5	101.6	96.4	108.3		136.7
SAR 29:9 HG	630	83.9	82.2	89.8	85.9	87.1	87.2	88.8	90.3	82.8	85.8	84.7	104.0	97.4	106.3		136.6
(01339, N/42)	800	85.3	86.1	87.5	87.0	88.0	88.9	90.2	91.4	84.2	85.4	85.0	104.3	95.0	103.6		135.9
TAMS 59 DEG F	1000	85.1	87.2	87.9	87.2	89.4	88.2	90.8	92.1	84.7	85.9	88.4	104.8	94.9	104.8		136.5
(238, DEG K)	1250	85.4	87.9	88.4	88.7	90.0	89.5	91.4	92.1	85.5	86.5	89.4	102.5	91.7	104.9		135.8
TKET 53 DEG F	1600	87.5	87.4	90.0	88.9	89.5	90.9	92.6	94.8	85.9	89.3	90.2	102.6	90.8	99.7		135.0
(235, DEG K)	2000	87.2	87.9	89.1	89.3	90.0	91.2	93.7	95.2	85.9	89.4	91.1	102.5	89.9	97.7		134.9
HACT 8.91 GM/M3	2500	86.5	89.0	88.9	90.0	91.1	91.7	93.8	94.7	86.6	88.7	90.1	102.0	88.9	96.2		134.2
(03391 KG/M3)	3150	87.6	88.6	87.8	90.4	91.2	92.4	92.8	94.3	86.5	89.1	89.4	101.3	88.3	95.8		134.2
FREQ. SHIFT	4000	87.3	89.1	89.0	89.2	90.1	91.4	93.0	94.4	86.8	89.8	83.7	100.9	87.4	94.7		133.9
JET 0	5000	87.1	89.4	88.8	89.7	90.6	91.6	92.8	94.4	86.1	89.9	88.4	100.4	87.3	94.4		133.7
DIAMETER RATIO	6300	85.2	88.4	88.5	89.1	90.1	91.6	92.6	94.2	86.6	88.4	87.3	98.8	85.8	93.8		133.0
DF/DM 1.00	8000	85.3	87.6	87.6	88.6	90.1	91.4	92.8	94.1	86.9	89.0	87.7	98.7	86.3	95.1		133.1
	10000	85.0	87.9	87.8	89.4	90.7	90.7	91.9	93.9	86.1	88.2	87.4	98.7	86.9	96.4		133.2
	12000	85.3	88.3	86.4	89.1	90.3	90.7	91.3	93.0	85.3	88.0	86.5	98.0	87.7	98.0		133.2
	14000	85.6	89.3	88.6	89.6	91.3	89.7	90.3	92.4	85.2	86.8	86.0	97.3	87.3	98.6		133.2
	16000	85.9	88.7	88.3	88.8	89.7	89.2	89.5	91.3	83.0	84.8	85.0	96.2	86.6	97.5		132.6
	18000	86.5	89.0	88.5	88.3	89.5	88.0	88.9	89.6	81.7	83.6	83.0	94.8	85.0	95.4		131.9
297	20000	85.6	88.8	88.7	88.5	89.6	86.7	87.1	87.9	80.5	81.5	81.1	92.6	82.7	93.0		130.9
	25000	82.6	87.3	87.8	89.4	89.2	88.2	87.6	86.6	79.1	79.1	78.6	89.0	80.1	90.8		130.9
	31500	79.5	84.6	84.9	86.8	87.1	88.9	88.3	89.7	78.1	77.3	76.0	87.1	77.9	88.0		130.9
	40000	75.0	80.2	80.5	82.5	82.3	82.1	82.1	82.5	73.4	73.2	72.4	82.8	74.7	85.0		125.5
	50000	71.7	76.1	77.1	78.9	75.4	78.7	78.7	80.1	69.9	70.8	70.0	80.0	72.1	81.9		123.7
	63000	68.1	72.6	74.0	74.9	74.5	74.5	75.0	78.3	67.2	69.1	67.4	77.1	69.1	78.2		122.4
	80000	64.2	67.5	68.3	69.6	69.3	69.9	69.7	76.4	63.8	69.8	65.6	75.6	66.6	76.6		122.3

OVERALL MEASURED 148.0
 OVERALL CALCULATED 111.6 113.5 113.9 114.6 115.3 116.1 117.2 118.7 111.0 113.1 113.1 125.7 114.4 124.0



★ 10 dB TOO LOW

ORIGINAL PAGE IS OF POOR QUALITY

REV. ALPHA 12/73	FREQ.	ANGLES FROM INLET IN DEGREES (AND RADIANS)															PWL
		30	40	50	60	70	80	90	100	110	120	130	140	150	160	170	
NO EGA	50	81.8	72.3	75.4	74.9	72.5	72.6	72.6	73.3	73.9	75.8	79.0	82.3	76.6	83.5		118.0
ADG. NO. 0.	63	84.3	73.8	76.4	76.2	74.8	75.2	76.1	76.4	76.4	79.3	82.3	85.9	82.0	84.8		120.9
RADIAL 40 FT.	80	85.9	76.6	78.3	78.1	77.5	77.9	80.1	79.3	81.6	83.6	86.7	90.9	87.0	88.4		124.8
(12.4)	100	86.4	76.7	80.9	79.9	78.9	80.7	82.5	84.1	85.0	86.9	89.7	94.5	93.5	91.4		128.3
VEHICLE JENOTS	125	91.5	80.7	82.7	81.5	80.7	83.7	85.9	86.5	87.7	90.5	92.5	97.1	96.5	94.3		131.3
CCAFIG JB-354	160	96.7	83.7	84.4	84.4	84.4	87.2	89.4	89.7	91.2	93.2	94.7	98.4	98.9	96.1		133.8
LCC EVENDALE	200	96.5	87.0	85.0	86.3	87.0	88.3	89.5	90.3	91.3	94.5	98.8	101.9	102.7	100.5		136.6
DATE 4-15-75	250	98.5	88.3	88.8	89.4	88.3	89.3	90.0	91.0	97.4	97.9	100.3	104.0	107.3	108.5		139.3
RCN DBTF MODEL 7	315	102.3	89.8	89.8	89.8	91.3	91.7	91.8	94.8	94.8	98.3	102.8	105.6	109.7	102.5		141.4
TAPE X73100	400	98.7	86.5	87.6	88.9	90.2	90.7	92.3	94.1	96.1	99.8	101.0	107.3	110.7	99.6		141.8
BAR 29.9 HG	500	105.6	90.6	91.6	89.3	91.7	92.9	94.5	96.5	97.7	99.4	102.5	109.1	110.3	98.3		142.6
(1039, N/42)	630	105.8	91.7	92.2	91.0	92.5	93.0	95.4	96.9	98.9	101.5	105.7	109.6	110.4	101.3		143.4
TAMB 59 DEG F	800	101.2	91.9	92.4	92.8	93.8	94.8	96.2	99.1	100.0	101.8	103.8	106.2	107.5	99.7		142.6
(288, DEG K)	1000	103.3	91.4	94.0	92.9	93.8	95.7	97.4	99.8	101.1	105.3	107.5	108.7	106.4	95.7		143.5
TMET 53 DEG F	1250	103.3	92.9	93.9	93.8	94.2	96.4	98.4	100.2	101.2	105.4	108.4	108.5	105.7	94.7		143.8
(285, DEG K)	1600	103.1	94.3	93.9	94.5	95.6	97.3	99.1	100.5	102.1	105.8	107.4	107.5	105.9	94.8		143.6
HACT 8.91 GM/43	2000	104.4	93.6	93.6	95.7	96.5	97.4	98.1	100.9	102.5	106.4	107.7	109.1	106.9	96.3		144.4
(.00891 KG/43)	2500	104.6	94.9	95.1	94.6	95.2	97.0	98.5	100.8	102.9	106.4	106.8	108.3	107.3	96.8		144.1
FRES. SHIFT	3150	104.7	95.3	95.2	95.1	96.0	97.5	98.9	101.3	102.9	106.7	107.3	108.5	109.0	98.5		144.7
JET 0	4000	104.6	95.6	95.2	95.3	96.1	97.3	98.8	101.4	103.5	105.6	107.0	108.0	108.5	98.2		144.4
DIAMETER RATIO	5000	106.5	98.0	96.4	95.6	96.0	97.6	98.5	101.8	103.8	105.7	106.7	108.6	109.7	98.3		145.0
CF/CM 1.00	6300	108.8	101.4	98.6	97.7	97.2	97.5	98.7	101.5	103.6	105.3	106.2	108.0	109.4	97.2		145.3
	8000	109.7	104.7	103.5	101.7	100.0	98.5	98.4	101.1	103.0	104.6	106.1	107.4	108.6	96.8		145.9
	10000	106.8	101.3	102.6	104.1	104.1	100.5	99.3	100.9	102.7	104.6	104.7	106.6	107.0	95.4		145.6
	12500	104.5	98.3	98.6	100.8	103.0	102.5	100.3	100.4	101.3	103.4	104.3	105.5	106.0	93.4		144.8
	16000	103.3	97.6	97.1	97.9	99.4	100.4	100.7	100.5	100.8	101.7	103.1	104.1	104.1	92.2		143.8
298	20000	104.4	94.4	95.6	96.9	97.4	97.4	98.8	99.3	99.7	100.2	101.1	101.8	102.1	89.7		142.3
	25000	98.6	93.0	94.0	95.1	95.9	96.4	96.3	97.8	97.3	98.9	99.1	99.2	100.6	87.5		141.0
	31500	95.8	90.7	91.5	92.4	92.7	94.5	94.8	95.8	95.4	96.4	97.3	97.6	98.4	84.6		139.5
	40000	93.5	88.9	89.4	90.7	90.5	90.8	90.8	91.9	92.5	93.4	94.3	93.7	96.2	83.2		137.2
	50000	90.1	85.3	86.8	87.6	87.2	88.3	88.6	89.5	89.5	90.9	92.2	92.1	94.2	81.1		135.8
	63000	86.8	82.2	83.6	85.1	83.9	84.6	84.9	86.9	86.6	89.5	90.9	89.6	92.5	79.6		135.3
	80000	83.2	78.3	79.8	80.9	80.4	81.5	81.3	83.2	82.1	89.4	89.2	88.4	91.2	77.6		136.5
OVERALL MEASURED																	
OVERALL CALCULATED		117.7	110.4	110.1	110.4	110.8	110.8	111.3	113.2	114.7	117.3	118.9	120.8	121.3	111.6		197.3
PND8		130.1	121.9	121.3	120.6	120.6	121.6	122.8	125.1	127.0	130.0	131.3	133.0	133.3	123.4		



★ 10 dB TOO HIGH

REV, ALPHA 12/73	FREQ	ANGLES FROM INLET IN DEGREES (AND RADYANS)																	PH
		30	40	50	60	70	80	90	100	110	120	130	140	150	160	0	0	0	
NO EGA	50	63.8	65.1	66.1	65.7	66.0	66.1	66.9	66.0	68.4	69.3	72.5	75.0	78.6	93.2			119.9	
RDG, NO.	63	66.3	67.1	68.2	68.5	69.5	69.2	69.8	69.9	70.9	72.8	76.3	78.9	83.0	96.1			122.8	
RADIAL 40, FT	80	67.6	69.4	69.5	70.1	70.5	70.7	72.6	72.6	74.3	75.9	79.2	82.6	85.5	99.1			125.9	
(12, M)	100	70.7	71.2	73.4	72.7	72.4	73.9	76.5	76.8	78.7	79.9	82.7	87.0	90.8	101.9			129.0	
VEHICLE JENOTS	125	74.7	74.2	75.0	74.7	74.5	77.2	79.9	79.7	82.2	84.0	86.0	89.9	92.8	105.0			131.9	
CONFIG JE-055	160	80.2	78.2	77.7	77.9	78.9	81.4	84.2	82.9	86.7	88.9	88.9	91.9	94.9	108.6			135.4	
LOC EVENDALE	200	80.8	81.3	79.4	80.9	80.3	82.0	83.3	83.5	86.3	89.9	92.7	96.1	98.9	110.9			137.8	
DATE 04-16-75	250	83.5	83.5	82.5	82.8	83.3	83.8	84.8	83.3	86.8	92.8	92.3	96.3	98.8	103.2			139.5	
RUN DBTF MODEL 7	315	85.8	84.4	82.2	82.5	85.8	86.1	87.0	85.3	89.1	91.7	95.2	100.0	104.7	116.8			143.6	
TAPE X70110	400	83.6	82.2	86.8	83.0	84.4	84.0	85.0	85.3	88.7	92.0	94.6	102.3	105.7	113.8			141.3	
HAR 29.9 HG	500	86.1	85.8	86.1	84.5	85.5	86.1	86.5	86.5	88.7	92.4	94.2	107.1	107.1	112.3			141.3	
(01039, N/42)	630	86.3	85.7	86.7	84.7	86.2	85.7	87.5	87.1	88.6	90.1	93.9	97.9	103.6	105.9			141.8	
TAMB 59, DEG F	800	83.7	85.1	87.1	86.3	87.0	88.2	89.9	89.0	91.1	93.9	96.6	99.0	103.3	103.3			142.0	
(288, DEG K)	1000	86.3	85.1	87.3	86.3	87.0	88.1	89.9	89.9	91.1	94.1	96.6	99.4	98.8	107.7			137.4	
TWET 53, DEG F	1250	84.7	85.9	86.4	86.3	86.7	87.9	89.2	90.0	93.7	96.1	99.6	101.0	97.4	104.9			136.6	
(285, DEG K)	1600	84.0	85.7	85.9	86.7	87.3	88.2	89.8	89.8	91.6	93.6	95.3	98.1	96.1	102.5			135.0	
HACT 8.91 GM/M3	2000	85.3	85.4	84.8	84.2	87.7	88.6	89.0	90.3	92.7	94.9	97.4	97.0	94.6	101.0			134.2	
(00891, KG/M3)	2500	84.1	85.1	85.8	84.7	86.1	86.9	88.5	90.2	92.6	93.8	95.8	96.2	92.1	98.8			133.0	
FREQ, SHIFT	3150	82.8	84.9	84.8	85.2	86.4	87.4	88.0	89.2	91.8	93.9	94.7	94.6	92.1	98.7			132.4	
JET	4000	81.7	83.5	83.8	84.6	85.4	86.6	87.7	88.5	91.1	92.9	93.6	93.3	90.3	96.8			131.4	
DIAMETER RATIO	5000	81.1	82.3	82.9	83.4	84.6	85.7	86.8	88.3	91.1	92.3	93.3	93.0	89.8	97.2			131.1	
DF/DM 1.00	6300	79.8	81.9	82.5	83.2	84.2	84.8	86.0	87.0	89.9	91.3	91.7	91.3	89.9	96.2			130.1	
	8000	78.9	80.9	81.7	82.6	83.7	84.5	86.1	86.1	88.6	90.0	91.7	91.3	87.7	95.5			129.2	
	10000	77.4	80.1	80.4	81.5	82.9	82.8	83.7	85.2	87.6	88.4	88.8	87.9	86.6	94.7			128.4	
	12500	75.3	78.3	79.4	79.9	81.0	81.3	82.6	83.7	86.1	86.5	87.4	86.6	84.8	92.9			127.1	
	15000	72.6	75.9	76.1	77.5	79.6	79.2	81.0	81.8	84.0	84.7	85.1	84.4	83.2	90.2			125.4	
	20000	69.9	73.9	74.1	74.9	76.7	76.9	78.2	79.3	81.9	82.6	83.3	82.3	80.1	88.1			123.6	
299	25000	67.0	72.0	72.2	72.8	73.8	74.3	75.5	77.0	79.2	80.3	80.8	79.4	78.1	86.7			121.9	
	31500	63.4	68.7	69.2	69.9	70.8	71.8	73.4	74.6	75.7	77.4	78.1	77.2	76.2	84.1			119.7	
	40000	60.9	66.8	67.5	67.9	68.2	68.2	69.2	70.8	73.0	74.8	75.2	74.1	72.8	83.8			118.3	
	50000	58.5	66.2	66.0	66.8	66.4	66.2	67.0	68.7	69.7	74.6	74.1	73.8	71.9	81.8			119.0	
	63000	55.2	63.9	63.8	65.2	65.0	64.3	64.8	67.6	67.3	76.4	74.5	74.5	71.9	87.2			122.4	
	80000	53.5	63.6	62.4	64.9	65.4	64.5	64.3	67.7	69.4	78.9	75.5	76.5	73.5	88.9			127.0	
OVERALL MEASURED																			
OVERALL CALCULATED		96.7	97.0	97.8	97.6	98.5	99.2	100.6	101.9	104.8	106.7	109.0	112.1	113.8	123.0			151.1	
PNDB		108.2	109.3	109.7	109.9	110.8	111.7	112.8	114.0	116.8	118.6	120.2	121.6	121.9	130.5				

ORIGINAL PAGE IS OF POOR QUALITY

		MODEL SOUND PRESSURE LEVELS (59, DEG, F, 70 PERCENT REL HUM, DAY - JENOTS)																	PHL		
		ANGLES FROM INLET IN DEGREES (AND RADIANS)																			
REV.	ALPHA 12/73	FREQ.	30	40	50	60	70	80	90	100	110	120	130	140	150	160	0	0	0	PHL	
			(0,52)	(0,70)	(0,87)	(1,05)	(1,22)	(1,40)	(1,57)	(1,75)	(1,92)	(2,09)	(2,27)	(2,44)	(2,62)	(2,79)	(0,	(0,	(0,		
	NO EGA	50	68,1	68,1	69,4	68,7	69,5	69,6	69,9	69,5	71,1	73,1	76,0	79,3	82,8	89,5				118,2	
	RDG. NO. 0	63	70,6	70,6	71,9	72,0	72,5	72,7	73,5	73,4	74,4	76,6	79,8	83,3	87,0	89,8				121,0	
	RADIAL 40, FT.	80	72,4	73,1	74,0	74,1	74,5	74,2	76,1	75,6	77,6	79,6	83,5	87,4	89,8	93,9				124,0	
	(12, 4)	100	78,2	78,2	77,9	78,7	78,7	77,9	80,5	81,1	82,7	83,9	86,9	91,8	95,8	96,7				128,2	
	VEHICLE JENOTS	125	78,7	78,5	78,5	78,2	78,7	81,0	83,7	83,5	85,7	88,2	90,5	94,4	96,8	98,8				130,4	
	CONFIG JE-055	160	83,9	81,9	81,7	81,9	82,7	82,7	83,6	88,7	90,2	91,4	92,9	94,4	99,1	102,6				133,6	
	LOC EVENDALE	200	85,0	85,0	82,8	84,3	84,8	86,5	87,5	87,5	90,0	93,3	96,6	100,9	103,0	104,5				136,3	
	DATE 04-16-75	250	87,5	87,0	86,3	86,8	87,3	87,8	88,5	88,3	95,5	95,8	99,5	103,0	106,2	105,4				138,7	
	RUN DBTF-MCDEL 7	315	89,0	87,5	88,8	89,0	89,8	90,0	88,8	91,1	93,3	97,5	101,3	103,6	108,2	109,5				140,7	
	TAPE X70130	400	89,4	85,2	90,0	87,4	88,9	89,2	90,8	92,1	94,8	98,3	101,3	103,6	108,2	106,9				140,6	
	BAR 29,9 HG	500	90,6	89,3	90,0	88,5	89,7	90,6	92,2	93,2	96,4	98,9	101,7	103,6	108,2	107,1				142,9	
	(01039, N/42)	630	90,3	90,7	90,7	89,0	91,0	90,3	93,1	94,1	97,2	99,2	103,5	106,1	109,4	107,1				142,2	
	TAMB 59, DEG F	800	89,7	90,4	91,1	90,8	92,0	91,8	93,7	96,1	98,3	102,0	104,2	106,5	106,7	107,7				141,7	
	(288, DEG K)	1000	91,1	91,1	92,0	90,9	92,0	93,2	94,7	96,2	98,4	102,3	104,2	104,4	103,0	102,9				140,4	
	TWET 53, DEG F	1250	89,5	90,9	91,9	91,6	92,7	93,4	95,1	96,2	98,7	102,4	104,4	104,0	102,5	100,5				140,7	
	(285, DEG K)	1600	89,3	91,5	91,5	91,5	92,8	94,3	95,3	96,3	98,4	102,0	104,6	104,0	101,6	99,0				140,0	
	HACT 8,91 GM/M3	2000	90,9	91,4	90,6	92,9	94,0	94,4	95,6	96,1	99,3	102,4	103,7	104,1	101,9	98,0				140,1	
	(.00891 KG/M3)	2500	90,1	91,4	91,1	91,0	92,4	93,2	94,8	96,2	99,1	102,1	102,1	103,3	100,0	98,0				139,3	
	FREQ. SHIFT	3150	89,4	91,5	91,6	91,8	93,2	93,4	94,1	96,2	98,6	102,0	102,3	102,7	99,9	98,2				139,2	
	JET Q	4000	88,8	90,1	90,6	90,9	92,3	92,7	94,2	95,6	98,7	101,3	101,4	101,4	99,4	98,9				138,6	
	DIAMETER RATIO	5000	88,2	89,9	90,3	90,5	92,0	92,5	95,0	96,0	99,5	101,2	101,6	101,8	100,4	100,3				139,0	
	DF/DM 1,00	6300	88,2	91,1	90,8	91,4	92,9	93,0	94,1	95,6	98,5	100,4	100,6	101,2	102,1	101,8				139,0	
		8000	88,8	92,9	92,4	91,6	92,9	92,9	94,4	95,4	98,1	100,5	100,5	100,8	102,2	102,2				139,2	
		10000	89,7	93,7	93,2	92,5	93,2	92,4	93,7	94,7	97,4	99,6	99,6	99,7	101,9	101,8				138,9	
		12500	89,9	94,9	95,0	93,5	93,9	91,6	92,2	93,0	95,7	98,3	98,7	99,2	100,4	99,8				138,4	
		16000	88,5	93,6	94,8	94,1	94,5	91,8	91,9	91,7	94,9	97,1	97,2	97,3	98,5	97,6				137,8	
		20000	84,3	89,9	92,1	93,3	94,1	92,1	91,2	90,7	93,3	95,1	95,2	95,0	96,3	95,8				136,6	
		25000	81,6	87,3	88,5	89,9	91,2	91,2	90,3	89,8	91,3	92,9	92,6	93,0	94,3	93,3				134,9	
		31500	78,9	84,2	86,6	87,2	87,5	88,6	88,7	89,3	88,7	90,4	90,9	90,2	92,5	91,4				133,3	
		40000	72,6	81,5	84,2	84,1	84,6	84,7	85,1	86,1	86,9	87,2	87,4	87,1	89,5	89,0				131,0	
		50000	71,9	77,6	80,1	80,7	80,6	80,9	81,9	82,6	83,8	84,7	85,7	85,7	87,3	86,7				129,3	
		63000	69,3	74,0	76,6	77,1	77,1	77,2	78,9	80,2	80,4	82,8	82,6	84,8	85,8	85,8				128,9	
		80000	66,6	69,2	71,5	72,0	72,3	72,4	76,7	78,4	77,3	82,5	79,8	85,6	85,3					130,8	
	OVERALL MEASURED																				
	OVERALL CALCULATED		102,5	104,4	105,0	104,7	105,8	105,7	106,9	108,0	110,8	113,6	115,1	117,4	118,2	117,4				153,3	
	PND8		114,3	115,8	116,0	116,0	117,3	117,7	118,9	120,3	123,1	126,0	127,0	128,9	127,6	127,0					

72

		ANGLES FROM INLET IN DEGREES (AND RADIANS)																		PWL
		30,	40,	50,	60,	70,	80,	90,	100,	110,	120,	130,	140,	150,	160,	0,	0,	0,		
REV. ALPHA 12/73	FREQ.	(0.52)	(0.70)	(0.87)	(1.05)	(1.22)	(1.40)	(1.57)	(1.75)	(1.92)	(2.09)	(2.27)	(2.44)	(2.62)	(2.79)	(0,	1(0,	1(0,		
	50	71.6	71.8	72.6	71.9	72.7	72.6	73.1	72.5	75.4	74.1	80.3	83.0	86.6	89.0					
NO EGA	63	73.8	73.8	75.9	75.0	76.3	75.7	77.0	76.4	79.1	82.1	84.3	87.6	90.2	96.1				123.1	
RDG. NO. C	80	76.6	77.6	78.3	77.9	78.3	78.7	80.1	79.8	82.1	85.9	87.7	91.9	94.9	98.9				125.4	
RADIAL 20. FT.	100	79.7	79.9	81.4	80.4	80.2	81.7	84.0	84.6	87.0	89.2	91.4	96.0	99.8	101.7				128.8	
(12. M)	125	83.0	82.2	82.2	82.2	82.5	84.7	87.4	86.7	89.7	92.7	94.2	98.6	101.0	103.8				132.6	
VEHICLE JENOTS	160	88.2	85.7	85.9	85.7	86.4	88.7	91.1	89.9	93.7	96.2	96.9	100.9	103.1	105.6				134.8	
CONFIG JE-055	200	88.5	88.3	86.0	87.8	87.8	90.0	90.8	90.8	93.8	97.3	100.6	105.4	107.0	109.5				137.2	
LOC EVENDALE	250	90.3	90.9	90.3	90.0	90.3	91.0	91.8	92.0	98.8	99.3	103.8	107.8	110.9	108.6				140.6	
DATE 04-16-75	315	93.0	91.3	91.0	92.0	92.8	93.2	92.0	95.3	96.5	101.0	106.0	108.6	112.9	113.0				142.9	
RUN DBTE-MODEL 7	400	91.2	89.0	95.6	90.9	92.7	92.5	94.6	95.3	98.6	102.6	103.8	110.5	113.2	110.9				145.0	
TAPP V70150	500	95.1	93.8	94.3	92.0	93.7	94.4	96.7	97.7	100.2	103.4	106.2	113.4	114.8	111.3				145.2	
BAR 29.9 HG	630	95.1	94.5	95.0	93.5	95.0	94.8	97.4	98.4	101.7	104.5	109.0	113.3	119.7	113.1				146.9	
(01039. N/M ²)	800	94.2	95.2	95.4	95.3	96.0	96.0	97.7	99.6	102.8	107.0	109.5	112.0	112.5	113.7				147.8	
TAMP 59. DFG F	1000	96.1	94.4	95.8	95.4	96.0	96.9	99.4	100.3	103.6	108.1	110.0	110.2	110.9	110.9				147.1	
(288. DFG K)	1250	95.3	95.9	96.4	96.1	97.0	97.7	100.4	100.7	103.4	108.9	110.9	111.2	109.9	109.5				146.3	
TWET 53. DFG F	1600	96.1	96.5	96.4	96.8	97.8	98.8	100.3	101.5	104.9	108.8	110.1	110.5	109.9	109.2				146.7	
(285. DEG K)	2000	98.1	96.4	96.3	98.4	99.0	99.4	100.6	102.1	105.0	109.2	110.2	111.3	111.9	110.6				146.9	
HACT 8.91 GM/M ³	2500	97.9	97.6	98.1	97.0	97.9	99.0	101.0	102.0	106.1	109.9	109.8	111.8	112.7	110.3				147.3	
(.02891 KG/M ³)	3150	97.9	98.0	97.9	97.5	98.9	98.9	100.6	102.0	105.6	109.5	110.5	113.2	113.4	110.7				147.5	
FREQ. SHIFT	4000	97.8	98.6	97.9	97.4	98.8	99.0	100.7	102.1	106.2	109.8	110.2	112.7	112.2	109.1				148.2	
JFT 0	5000	100.7	101.9	100.8	98.3	99.2	100.0	101.2	103.0	106.8	109.2	111.1	113.8	111.4	107.8				147.9	
DIAMETER RATIO	6300	101.5	105.8	105.8	102.9	101.4	99.7	100.9	102.4	106.0	107.9	110.4	112.7	110.6	106.3				149.4	
DF/DM 1.00	8000	97.8	102.4	104.9	106.9	106.1	101.9	100.6	101.8	105.1	107.5	109.5	110.6	109.2	105.5				148.1	
	10000	96.2	99.2	100.7	103.8	106.2	105.4	101.5	101.8	103.1	106.1	108.1	109.5	108.2	104.5				147.3	
	12500	95.1	99.2	99.8	99.7	102.6	103.6	103.2	102.0	103.2	107.1	107.2	108.4	106.6	103.0				146.3	
	16000	91.8	96.8	98.6	99.1	100.5	100.1	101.7	100.9	102.4	103.8	105.5	106.5	104.3	100.9				146.1	
300A	20000	90.0	94.6	95.8	97.3	98.6	98.3	99.2	98.7	101.3	101.8	103.7	104.5	102.8	98.6				145.0	
	25000	87.8	92.3	94.0	95.7	95.9	96.4	97.6	97.3	99.3	100.4	101.3	101.7	100.6	96.3				143.5	
	31500	84.4	89.3	91.0	92.2	93.8	94.6	94.7	95.1	96.0	97.4	99.4	99.7	98.8	94.2				141.9	
	40000	81.8	86.5	88.8	90.1	90.4	90.7	90.9	91.1	93.9	94.5	96.9	95.6	96.3	91.5				143.0	
	50000	79.4	83.6	86.1	87.2	87.3	87.9	88.1	88.6	90.8	92.5	95.2	94.0	94.3	89.7				137.8	
	63000	76.8	80.5	82.9	84.1	84.1	84.4	85.1	86.0	88.9	91.6	93.4	92.1	92.3	88.6				136.7	
	80000	75.4	77.2	79.3	80.5	80.8	81.6	81.4	83.4	86.3	91.8	91.6	90.6	90.6	87.3				136.5	
OVERALL MEASURED																			137.9	
OVERALL CALCULATED		109.7	111.7	112.3	112.5	113.2	112.7	113.2	113.9	117.2	120.1	122.0	124.4	124.8	123.2				150.1	
PNDB		122.7	124.9	125.1	124.1	124.3	123.5	124.8	125.0	129.6	132.8	134.4	137.0	137.2	135.2					

ORIGINAL PAGE IS OF POOR QUALITY

REV: ALPHA 12/73	FREQ.	ANGLES FROM INLET IN DEGREES (AND RADIANS)																		PWL
		30	40	50	60	70	80	90	100	110	120	130	140	150	160	0	0	0		
RDG. NO. 01	50	67.3	68.8	70.6	67.9	68.5	68.3	67.9	68.3	69.6	74.1	77.8	77.3	79.8	87.5	0	0	0		
RADIAL 40 FT	63	68.8	69.6	71.2	70.2	71.0	70.7	70.3	70.9	72.4	75.6	78.8	80.0	83.0	90.1	0	0	0		
VEHICLE JENOTS	80	70.4	71.4	72.3	71.9	72.3	71.9	73.6	73.6	75.8	78.4	81.5	84.9	89.0	92.4	0	0	0		
CONFIG JE-055	100	72.7	72.9	74.9	73.9	74.2	75.2	77.7	78.1	79.7	81.9	84.7	89.0	92.4	97.5	0	0	0		
LOC EVENDALE	125	75.7	75.5	75.7	76.2	76.0	78.2	81.2	80.5	82.7	85.5	87.7	91.6	94.4	99.9	0	0	0		
DATE 04-16-75	160	80.9	79.2	78.4	78.4	79.9	82.2	84.6	83.4	87.2	88.7	90.4	93.2	95.5	100.9	0	0	0		
RUN DBT MODEL 7	200	82.5	82.8	80.3	81.5	82.0	83.8	84.8	84.8	87.5	90.5	93.1	97.6	99.9	102.8	0	0	0		
TAPE X70160	250	85.3	84.8	83.3	83.8	85.0	84.8	86.5	86.8	89.5	93.5	97.8	100.5	103.7	107.3	0	0	0		
BAR 29.9 HG	315	87.3	85.0	85.5	86.5	87.5	87.7	87.0	89.8	92.3	96.0	99.9	104.4	108.0	107.3	0	0	0		
(01039 N/M2)	400	88.8	87.8	87.6	85.5	87.2	87.4	89.7	91.0	93.4	97.2	99.9	107.1	108.1	105.3	0	0	0		
TAMB 59 DEG F	500	87.5	87.7	88.0	86.8	87.7	88.5	90.4	92.9	94.7	97.0	99.9	107.2	109.1	107.6	0	0	0		
(288 DEG K)	630	86.5	87.2	87.9	87.5	88.2	89.7	91.7	92.6	95.0	98.8	101.2	104.3	109.0	107.2	0	0	0		
TWET 53 DEG F	800	85.3	87.2	87.2	87.5	88.8	90.0	91.8	92.8	95.4	98.0	101.0	103.2	109.4	101.7	0	0	0		
(285 DEG K)	1000	86.4	86.6	86.6	86.2	89.3	89.9	90.6	92.1	94.5	97.7	99.9	105.5	96.1	93.3	0	0	0		
HACT 8.91 GH/M3	1250	85.1	86.6	86.1	86.5	87.7	88.7	90.0	91.5	94.3	96.9	97.8	98.2	94.7	90.5	0	0	0		
(.00891 KG/M3)	1600	83.6	86.0	86.1	86.5	87.4	88.2	89.6	91.0	93.1	95.9	96.5	96.7	93.4	90.5	0	0	0		
FREQ. SHIFT	2000	82.0	84.5	84.6	85.9	86.7	87.4	88.7	89.6	92.7	95.3	94.9	94.2	91.9	88.6	0	0	0		
JET 0	2500	81.1	83.4	84.4	84.5	85.4	86.7	88.9	89.4	92.2	94.1	94.4	92.9	91.7	87.5	0	0	0		
DIAMETER RATIO	3000	80.0	82.8	83.3	83.8	85.6	85.9	86.9	88.1	91.0	93.1	93.3	90.9	90.8	87.6	0	0	0		
DF/DM 1.00	4000	78.8	81.1	82.1	83.1	84.8	85.4	86.1	87.3	89.6	92.0	91.5	91.6	90.0	87.5	0	0	0		
	5000	77.9	81.1	81.7	82.5	84.2	84.1	84.7	86.0	88.8	90.1	90.3	89.9	88.1	86.7	0	0	0		
	6300	75.3	79.6	80.0	80.2	82.1	82.1	83.9	84.7	86.7	88.3	88.9	88.4	86.6	85.0	0	0	0		
	8000	73.2	77.0	77.7	78.6	80.8	80.8	82.6	83.1	85.6	86.8	87.2	86.3	84.6	82.9	0	0	0		
	10000	71.3	75.3	75.8	76.6	78.1	78.5	79.9	81.4	83.5	84.3	85.2	84.2	83.0	80.8	0	0	0		
	12500	68.7	73.9	74.4	74.8	76.0	76.5	77.9	79.2	81.2	82.5	82.7	82.1	81.4	79.2	0	0	0		
	15000	66.0	71.6	71.1	71.8	72.9	74.2	75.3	76.2	78.1	80.3	80.7	79.8	79.1	76.0	0	0	0		
	20000	63.7	70.9	69.4	70.2	70.8	70.8	71.5	73.2	75.3	77.1	77.1	76.2	76.4	74.6	0	0	0		
	25000	63.0	70.2	68.8	69.0	68.9	68.5	70.0	71.0	72.0	72.1	72.1	71.9	74.4	73.0	0	0	0		
	31500	63.4	66.3	66.2	67.5	67.3	66.0	67.2	68.8	69.3	78.2	75.7	74.9	74.6	73.9	0	0	0		
	40000	64.2	64.0	63.3	65.1	65.8	64.7	65.5	67.7	65.8	74.8	75.7	76.7	75.2	75.1	0	0	0		
OVERALL MEASURED		98.2	98.5	99.2	98.8	99.9	100.6	102.2	103.3	106.2	109.0	111.1	114.3	113.6	115.1	0	0	0		
OVERALL CALCULATED		109.4	110.6	110.9	111.1	112.1	112.8	114.3	115.5	118.2	120.8	122.2	123.7	123.7	122.6	0	0	0		

ORIGINAL PAGE IS OF POOR QUALITY

REV: ALPHA 12/73	FREQ	ANGLES FROM INLET IN DEGREES (AND RADIAN\$)																PWL	
		30	40	50	60	70	80	90	100	110	120	130	140	150	160	0	0		0
NO EGA	50	70,8	70,6	73,4	73,7	73,7	71,8	71,9	72,0	73,9	76,1	79,0	81,8	84,3	93,5				121,6
RDG, NO: 0	63	72,1	73,1	75,4	75,2	76,0	75,4	75,5	75,7	77,1	79,6	82,6	85,6	88,7	94,6				123,9
RADIAL 40, FT	80	74,1	75,1	76,3	76,9	77,5	76,9	77,1	77,8	80,3	84,7	89,2	93,5	97,0	96,9				126,7
(12, 4)	100	75,7	76,7	78,9	78,9	79,2	79,9	81,7	82,0	85,7	90,0	93,0	97,1	99,5	99,4				130,3
VEHICLE JENOTS	125	80,2	79,5	80,2	80,5	81,0	82,7	85,7	85,0	87,7	90,0	93,0	97,1	99,5	102,3				133,2
CONFIG JE=055	160	85,7	83,4	83,2	83,4	84,7	86,9	88,9	87,7	91,4	92,9	94,7	98,7	101,1	104,1				135,2
LQC EVENDALE	200	85,5	86,8	83,2	83,4	84,7	86,9	88,9	87,7	91,4	92,9	94,7	98,7	101,1	104,1				137,8
DATE 04-16-75	250	88,0	86,5	87,5	88,0	88,8	88,8	89,3	90,0	96,8	97,5	101,8	104,8	107,4	106,4				140,1
RUN DBTF=MODEL 7	315	90,8	89,5	89,8	90,5	91,0	91,5	90,8	93,3	95,3	99,8	104,5	106,6	110,7	111,8				143,3
TAPE X70180	400	89,2	86,7	90,1	88,9	90,7	91,0	93,1	93,3	97,3	101,3	102,8	110,3	112,7	110,4				144,5
BAR 29,9 HG	500	91,3	91,6	91,8	90,9	91,2	92,4	93,0	93,5	98,4	100,7	103,5	111,1	111,6	108,6				144,3
(01039, N/M2)	630	90,8	92,2	92,7	90,7	92,7	92,8	94,9	96,1	99,9	102,5	106,7	111,1	112,7	110,6				145,3
TAMB 59, DEG F	800	92,0	91,7	92,1	92,8	93,8	93,8	95,7	97,9	100,5	104,0	106,5	113,5	108,0	112,2				144,1
(288, DEG K)	1000	93,1	91,9	93,3	92,7	93,5	94,7	97,2	98,1	101,4	103,3	107,0	107,4	107,9	107,4				143,5
TWET 53, DEG F	1250	92,9	92,2	92,9	93,1	94,0	94,9	97,7	98,1	101,2	103,1	107,4	107,7	109,7	105,5				143,3
(285, DEG K)	1600	91,3	92,7	92,9	93,0	94,3	95,8	97,8	98,1	101,4	104,8	106,4	106,8	104,9	104,2				142,6
HACT 8,91 GM/M3	2000	92,9	92,1	91,8	92,2	95,5	96,1	97,1	98,1	101,5	104,7	106,2	106,6	104,3	104,3				142,0
(.00891 KG/M3)	2500	92,6	93,1	93,1	92,3	93,9	95,2	97,0	97,0	101,9	104,1	104,8	103,8	104,2	103,8				142,1
FREQ, SHIFT	3150	91,9	92,5	93,1	93,3	94,7	95,2	96,6	98,0	101,1	104,7	104,3	105,7	105,2	105,2				141,8
JET 0	4000	91,0	92,1	91,9	92,7	94,5	95,5	96,5	98,3	101,7	103,8	104,4	104,4	106,2	104,9				142,3
DIAMETER RATIO	5000	91,2	91,7	91,8	92,0	93,7	94,8	97,2	98,7	101,8	104,2	104,4	105,1	106,2	105,5				142,3
DF/DM 1,00	6300	91,5	92,6	92,3	92,6	94,4	95,0	96,1	97,6	100,8	103,4	103,9	104,9	106,8	105,8				142,2
10000	8000	93,1	95,1	93,4	92,6	94,1	94,7	95,6	97,3	100,4	102,5	102,8	104,1	106,5	105,7				141,9
12500	10000	95,4	97,4	96,4	95,3	95,5	94,4	94,7	96,5	99,6	101,9	101,9	104,2	104,0	104,0				141,8
16000	12500	91,0	93,8	95,6	97,2	97,6	95,1	94,7	95,5	98,5	100,6	100,7	102,9	103,4	101,8				141,4
20000	16000	88,0	90,1	91,0	92,8	95,6	94,8	93,9	92,7	95,3	96,1	97,5	98,2	98,8	97,6				138,4
25000	20000	85,6	88,5	89,3	90,4	90,9	91,4	92,1	91,8	92,8	94,1	94,8	95,7	96,8	96,3				136,6
31500	25000	81,9	85,2	86,8	83,0	88,5	88,8	89,2	89,8	90,5	91,4	92,9	93,0	94,5	92,9				134,6
40000	31500	79,3	83,2	83,8	84,6	85,6	85,7	86,1	86,6	87,7	88,2	89,7	89,6	91,5	89,8				132,3
50000	40000	75,9	79,4	80,9	81,7	82,8	82,9	83,4	83,6	85,1	85,7	88,3	87,7	89,8	88,2				131,1
63000	50000	71,8	75,2	77,4	79,1	79,1	78,9	79,9	81,0	81,7	83,3	86,4	86,6	88,5	86,8				130,7
80000	63000	67,9	69,7	74,5	76,0	76,3	76,9	76,9	78,9	78,3	82,5	85,8	86,6	87,3	86,0				132,5
OVERALL MEASURED																			
OVERALL CALCULATED		105,3	106,3	106,5	106,5	107,7	107,8	109,0	110,2	113,2	116,1	117,6	120,0	121,1	120,7				156,0
PNDB		116,8	117,3	117,5	117,6	118,9	119,6	121,0	122,5	125,7	128,6	129,4	133,2	131,5	131,4				

711

REV. ALPHA 1273	FREQ.	30	40	50	60	70	80	90	100	110	120	130	140	150	160	PWL
		(0.52)	(0.70)	(0.87)	(1.05)	(1.22)	(1.40)	(1.57)	(1.75)	(1.92)	(2.09)	(2.27)	(2.44)	(2.62)	(2.79)	
		ANGLES FROM INLET IN DEGREES (AND RADIAN'S)														
RDG. NO. 01	50	73.6	73.3	76.4	73.2	75.2	75.1	75.9	75.5	78.1	84.1	82.5	86.3	89.1	99.0	126.7
NO EGA	63	75.6	76.1	77.9	77.0	77.5	77.2	78.3	78.9	80.9	86.8	85.1	89.9	93.0	101.3	129.4
RADIAL 40, FT.	80	78.1	79.1	80.0	79.6	79.8	80.4	81.8	81.3	83.8	88.6	89.9	93.9	96.0	104.1	132.4
(12, 4)	100	81.7	81.7	83.4	82.4	82.4	83.2	85.7	86.6	88.2	92.4	93.2	98.0	101.8	104.9	135.1
VEHICLE JENOTS.	125	83.0	84.2	84.5	84.5	84.5	86.5	89.4	89.0	91.2	95.7	96.0	100.6	103.3	107.5	137.5
CONFIG JE-055	160	89.9	87.4	87.4	87.7	88.4	90.4	92.9	91.7	95.7	97.9	98.9	103.3	105.1	108.9	139.6
LOC EVENDALE	200	90.3	90.3	87.8	89.3	89.5	91.8	92.8	92.8	95.5	99.3	103.3	107.9	109.0	110.5	142.5
DATE 04-16-75	250	92.3	92.5	90.8	91.8	92.3	92.8	93.3	94.0	100.0	101.5	106.5	109.8	112.2	109.9	144.6
RUN DBTF-MODEL 7	315	94.8	92.5	93.0	94.0	95.0	94.7	93.8	96.8	98.5	103.5	108.3	111.1	115.5	113.8	147.0
TYPE X70200	400	92.9	91.2	96.8	92.9	94.2	94.2	96.3	97.3	100.6	105.1	106.8	112.5	116.6	111.6	147.5
BAR 29.9 HG	500	96.8	95.6	95.8	94.3	95.5	96.4	98.2	99.2	101.9	105.9	109.0	115.9	116.6	114.1	149.2
(01039, N/M2)	630	97.0	96.9	97.4	96.5	98.3	97.8	99.7	99.6	103.7	107.2	111.5	115.6	118.8	117.1	150.6
TAMB 59, DEG F	800	97.8	96.6	98.0	97.1	97.5	98.7	101.2	101.8	105.4	110.3	112.0	114.5	116.6	116.2	149.6
(288, DEG K)	1000	97.5	97.7	98.1	97.7	98.7	99.2	101.2	102.4	105.9	110.6	112.8	113.0	114.6	113.4	149.0
THET 53, DEG F	1250	97.8	98.1	97.9	98.5	99.6	100.7	102.5	103.0	106.3	110.3	112.8	113.0	114.4	112.9	149.1
(285, DEG K)	1600	99.9	98.9	97.8	99.7	101.0	101.1	103.2	103.4	106.8	110.7	111.4	113.8	113.9	112.5	148.6
HACT 8.91 GM/M3	2000	99.8	99.8	99.8	98.5	99.9	100.5	102.2	103.4	107.6	110.4	111.5	114.5	115.7	112.0	149.4
(00891, KG/M3)	2500	99.6	99.7	99.1	99.5	100.6	100.6	102.6	103.9	106.8	110.7	112.0	115.4	115.4	111.2	149.6
FREQ. SHIF	3150	98.7	100.0	98.1	98.7	100.0	100.0	102.4	103.8	107.9	110.5	112.1	114.9	113.3	108.8	149.9
JET 0	4000	99.4	103.9	101.2	99.7	100.4	100.9	102.6	104.1	108.2	110.4	113.1	115.2	112.2	107.5	149.5
DIAMETER RATIO,	5000	99.4	103.9	101.2	99.7	100.4	100.9	102.6	104.1	108.2	110.4	113.1	115.2	112.2	107.5	149.7
DF/DM 1.00	6300	96.7	100.8	103.3	105.5	106.5	102.6	102.0	103.4	106.8	108.6	111.2	112.2	110.4	106.2	149.2
	8000	93.6	98.5	99.8	102.4	105.1	104.7	102.6	103.1	106.0	108.0	109.7	110.6	109.0	104.1	148.7
	10000	93.5	98.3	99.6	102.0	102.0	102.2	103.5	102.4	105.1	106.9	108.6	109.3	107.7	103.1	147.9
	12500	91.8	95.9	97.6	98.7	100.9	99.9	101.8	101.5	103.5	104.9	107.1	107.4	106.4	100.5	147.0
303	16000	89.1	93.7	94.9	96.6	98.7	98.4	99.5	99.8	102.4	102.7	105.6	105.3	103.1	98.4	145.8
	20000	87.1	92.3	93.8	95.5	96.6	97.4	98.0	98.3	100.5	100.8	103.8	103.5	102.3	97.3	144.3
	25000	84.0	89.3	90.9	92.6	93.9	94.4	95.7	96.2	98.3	98.8	102.2	101.8	100.8	94.5	143.1
	31500	81.9	86.6	88.9	90.2	91.5	91.5	92.2	93.4	96.0	96.3	99.0	98.4	98.1	92.6	141.7
	40000	79.3	84.7	86.0	87.3	88.2	88.5	89.8	90.7	92.7	93.3	97.6	98.1	96.7	90.3	139.6
	50000	76.4	81.4	82.5	84.5	85.0	85.0	86.3	89.1	91.0	92.9	95.8	97.2	96.7	89.5	138.8
	63000	75.4	76.6	78.3	80.3	80.8	81.9	82.5	88.4	88.1	93.1	94.2	96.9	96.7	87.4	139.2
80000																141.3
OVERALL MEASURED		110.5	112.2	112.3	112.6	113.8	113.4	114.5	115.3	118.7	121.8	123.9	126.4	127.4	125.3	
OVERALL CALCULATED		123.5	125.3	125.5	124.6	125.2	125.0	126.4	127.6	131.3	134.4	136.2	139.1	139.8	136.5	161.9
PND8																

ORIGINAL PAGE IS OF POOR QUALITY

REV. ALPHA 12/73	FREQ.	ANGLES FROM INLET IN DEGREES (AND RADYANS)																PW
		30	40	50	60	70	80	90	100	110	120	130	140	150	160	0	90	
NO EGA	50	67.8	67.8	68.9	68.7	69.0	68.8	69.1	68.5	60.4	72.1	75.3	78.5	81.8	81.7			114.9
RDG. NO. 0	63	69.3	70.1	71.2	71.5	72.0	71.7	72.0	72.2	63.9	75.8	79.3	82.4	86.0	82.1			118.2
RADIAL 40 FT.	80	71.9	72.9	73.9	73.4	73.8	73.7	75.3	75.1	66.8	79.1	82.7	86.4	89.3	84.1			121.4
(12 M)	100	74.9	74.9	76.7	76.4	75.7	76.7	79.2	79.6	72.0	83.4	86.7	90.5	94.8	86.7			125.9
VEHICLE JENOTS	125	77.7	77.2	77.7	77.5	77.7	80.2	82.9	82.5	75.2	86.5	89.2	93.4	96.5	88.3			128.2
CONFIG JE-055	160	82.9	80.7	80.2	80.9	81.4	83.4	85.9	85.2	78.7	89.7	91.4	94.9	97.4	91.6			130.0
LOC EVENDALE	200	84.0	83.8	80.8	84.0	83.8	85.8	86.3	86.3	79.3	92.5	95.8	99.4	101.2	93.0			133.6
DATE 04-16-75	250	85.3	86.5	85.5	86.5	86.5	87.3	88.0	88.3	85.0	95.5	100.0	102.8	105.4	93.9			137.1
RUN DBTF-MODEL 7	315	89.3	87.3	88.3	89.0	89.5	89.7	88.8	92.3	85.0	98.5	102.8	108.9	108.9	99.3			140.1
TAPE X70210	400	87.7	85.0	91.1	87.4	88.4	88.7	90.8	92.1	85.3	99.3	101.0	107.3	110.2	97.4			141.2
BAR 29.9 HG	500	91.1	89.8	90.3	88.5	89.9	89.9	91.5	93.5	86.2	98.4	101.7	109.1	110.8	97.1			142.2
(01039 N/M2)	630	91.1	90.5	91.0	90.5	90.0	90.0	92.9	94.4	87.7	100.0	105.0	116.1	112.0	98.8			143.7
TAMB 59 DEG F	800	91.2	89.9	91.7	90.9	91.5	91.3	93.2	95.4	87.5	101.3	104.5	107.3	109.0	101.7			144.7
(288 DEG K)	1000	89.5	89.9	90.4	90.5	91.5	92.2	94.4	95.6	88.4	102.3	104.5	105.7	106.6	95.9			140.6
TWET 53 DEG F	1250	89.5	89.9	90.4	90.5	91.5	92.2	94.7	95.4	87.9	101.9	104.6	106.2	103.7	91.9			140.2
(285 DEG K)	1600	87.8	89.7	89.9	90.2	91.3	92.2	94.3	95.7	88.1	100.5	103.3	103.0	101.4	89.2			138.8
HAC 8.91 GM/M3	2000	88.8	88.3	88.3	88.9	92.0	92.6	93.0	94.8	87.5	99.6	102.4	102.5	99.9	87.0			137.7
(100891 KG/M3)	2500	87.8	88.8	89.5	88.5	89.6	91.2	92.7	94.4	87.3	99.3	100.3	100.2	97.4	84.5			136.2
FREQ. SHIFT	3150	86.3	87.9	88.0	88.7	90.1	90.6	92.0	93.7	86.1	98.9	98.9	98.9	96.8	84.2			135.4
DIAMETER RATIO	4000	84.2	86.5	86.8	87.6	89.2	89.9	91.4	93.0	85.6	97.7	97.6	96.6	94.6	81.3			134.1
DF/DH 1.00	5000	83.6	84.9	85.6	86.4	87.8	88.9	90.8	92.8	85.6	97.3	97.3	96.4	94.1	81.2			133.7
	6300	83.1	84.9	85.6	86.7	87.7	88.8	90.0	91.7	84.1	96.0	96.0	95.3	93.9	81.2			132.9
	8000	81.6	83.9	84.9	85.4	87.2	88.0	88.6	90.1	82.6	94.3	94.3	93.1	93.0	81.0			131.8
	10000	81.0	82.9	83.7	85.2	86.2	86.3	87.4	89.2	81.3	92.9	93.1	91.9	91.6	80.5			130.8
	12500	78.6	82.1	82.4	82.9	84.8	85.1	86.1	87.2	79.9	91.2	90.9	91.2	90.0	78.2			129.5
	16000	76.4	78.7	80.0	80.8	82.7	83.5	84.6	85.6	78.1	88.8	89.4	88.5	87.5	76.6			127.8
	20000	74.2	77.0	77.9	78.5	79.8	80.2	81.8	83.1	75.7	86.2	87.4	85.6	85.4	75.0			125.8
	25000	71.9	75.6	76.3	76.7	77.7	78.4	79.3	80.4	73.4	83.9	84.6	83.5	83.1	73.1			124.0
	31500	69.2	73.5	73.5	74.2	74.8	76.1	76.9	78.3	70.0	81.5	82.4	81.0	82.0	71.2			122.3
	40000	66.9	70.5	71.5	72.4	72.9	74.7	74.9	76.6	66.9	78.5	79.2	77.3	79.8	69.8			119.9
	50000	66.0	69.4	70.4	70.5	69.9	70.0	70.7	72.2	64.4	78.1	77.3	75.8	80.4	70.5			119.9
	63000	66.4	69.3	69.7	70.4	69.7	68.8	69.2	71.6	64.3	79.2	75.7	75.4	82.1	71.9			122.1
	80000	65.1	65.2	65.5	66.3	66.8	65.9	66.2	68.9	64.3	80.8	75.9	76.6	84.1	74.1			126.0
OVERALL MEASURED																		
OVERALL CALCULATED		100.8	100.6	101.5	101.3	102.3	103.0	104.6	106.1	98.9	111.6	114.1	117.0	118.7	107.6			151.5
PND8		112.0	112.5	113.2	113.4	114.6	115.2	116.7	118.3	111.0	123.5	124.9	126.1	126.9	115.7			



★ 10 dB TOO LOW

REV: ALPHA 12/73	FREQ:	ANGLES FROM INLET IN DEGREES (AND RADIANS)																		PHL
		30	40	50	60	70	80	90	100	110	120	130	140	150	160	0	0	0		
NO EGA	50	71.3	71.6	83.1	72.2	73.0	72.1	72.1	72.3	74.4	79.8	79.0	82.8	85.1	89.0	0	0	0		
RDG: NO: 0	63	73.6	74.1	81.7	76.5	76.0	75.2	76.3	76.2	77.4	81.1	83.1	87.1	89.7	98.6	0	0	0		
RADIAL 40 FT	80	75.1	76.4	81.3	76.6	77.5	77.2	78.8	78.3	80.6	82.9	86.7	90.4	92.3	100.1	0	0	0		
(12 M)	100	78.9	79.2	82.7	80.2	79.9	80.7	83.5	83.3	86.0	87.9	90.4	93.5	96.3	103.2	0	0	0		
VEHICLE JENOTS	125	82.0	81.2	82.5	81.9	81.7	84.0	86.2	85.7	88.7	91.2	93.0	97.2	99.9	100.0	0	0	0		
CONFIG JE-055	160	87.4	84.9	84.9	84.9	85.9	88.2	89.9	89.4	92.7	94.7	96.2	99.9	99.9	101.9	0	0	0		
LOC EVENDALE	200	88.0	87.8	85.5	87.3	88.0	89.8	90.3	90.3	93.0	96.8	99.8	104.1	106.0	106.5	0	0	0		
DATE 04-15-75	250	90.3	90.0	89.0	89.5	90.5	92.5	91.3	91.8	94.8	98.3	99.5	103.8	106.8	109.9	0	0	0		
RUN DBTF-MODEL 7	315	92.5	90.0	91.0	91.8	93.0	92.2	92.3	92.3	94.8	98.3	99.5	103.8	106.8	109.9	0	0	0		
TAPE X70230	400	90.4	88.2	94.0	90.4	92.4	92.0	94.3	95.1	98.3	101.3	106.3	108.4	111.4	113.3	0	0	0		
BAR 29.9 HG	500	94.3	93.6	93.0	91.8	93.7	94.1	96.0	97.2	100.4	105.4	106.5	109.9	111.8	111.8	0	0	0		
(01039 N/42)	600	95.3	94.7	95.0	94.5	94.7	94.3	96.4	97.7	101.4	105.4	106.5	109.9	111.8	111.8	0	0	0		
TAMB 59 DEG F	800	94.2	94.2	94.9	94.9	95.3	96.2	98.9	99.8	102.0	105.6	109.0	111.8	113.2	115.2	0	0	0		
(288 DEG K)	1000	96.3	94.1	95.0	94.9	95.3	96.2	98.9	99.8	103.4	107.3	108.7	111.7	111.4	111.4	0	0	0		
TWET 53 DEG F	1250	94.7	95.2	95.1	95.0	96.2	96.9	99.4	100.2	103.2	106.6	109.8	111.2	109.9	109.4	0	0	0		
(285 DEG K)	1600	94.6	95.0	94.7	95.0	96.6	98.0	99.5	100.2	103.6	106.3	108.6	109.0	109.4	108.2	0	0	0		
HACT 8.91 GM/M3	2000	95.4	95.1	95.0	95.0	96.2	98.3	99.1	101.0	103.8	106.7	107.7	109.9	109.9	108.6	0	0	0		
(.00891 KG/M3)	2500	92.1	95.3	95.0	94.7	96.1	97.0	99.0	100.4	103.6	106.4	106.8	108.5	108.9	107.8	0	0	0		
FREQ: SHIFT	3150	94.8	95.5	95.0	95.5	96.6	96.6	98.3	99.9	103.1	106.2	107.0	108.8	109.4	108.7	0	0	0		
JET 0	4000	93.5	94.4	94.2	94.4	96.0	96.4	97.9	100.0	103.1	106.1	106.1	107.6	108.9	108.1	0	0	0		
DIAMETER RATIO	5000	93.6	93.3	93.2	94.0	95.4	95.9	98.1	100.4	103.4	106.1	106.3	108.2	109.0	107.5	0	0	0		
DE/DM 1.00	6300	94.4	94.5	94.4	94.8	95.8	96.4	97.6	99.3	103.0	104.8	105.5	108.3	109.2	106.2	0	0	0		
	8000	94.2	95.5	94.8	94.8	95.8	96.1	96.7	98.9	101.7	104.1	104.4	107.7	107.7	106.1	0	0	0		
	10000	92.8	95.5	96.0	95.6	96.1	95.0	96.1	98.6	101.2	104.0	103.7	106.6	106.6	104.6	0	0	0		
	12500	90.5	93.3	93.9	94.6	96.5	95.2	95.5	96.9	99.8	101.9	102.3	105.0	105.2	103.1	0	0	0		
	16000	88.1	90.0	91.1	91.5	94.6	93.6	94.8	95.5	98.3	100.4	101.1	103.1	103.1	101.2	0	0	0		
	20000	85.9	89.2	89.6	90.7	91.7	91.1	92.5	93.5	96.4	97.9	99.1	100.6	100.6	98.9	0	0	0		
305	25000	83.8	87.5	88.0	89.6	90.4	89.6	90.5	91.5	94.0	95.6	96.8	98.3	99.3	96.5	0	0	0		
	31500	80.2	84.1	85.6	86.8	88.4	88.2	88.5	89.2	91.1	93.8	94.4	96.3	97.1	94.0	0	0	0		
	40000	77.9	81.4	82.7	84.2	85.0	85.3	85.5	85.9	88.0	90.1	91.5	92.7	94.4	91.9	0	0	0		
	50000	75.5	78.7	80.0	81.0	81.7	82.5	82.8	83.5	85.2	88.4	89.4	90.6	92.4	89.5	0	0	0		
	63000	73.9	76.1	76.8	78.2	78.8	79.3	79.3	80.8	82.0	84.4	87.8	89.0	90.7	88.2	0	0	0		
	80000	73.9	73.5	74.1	75.3	76.3	76.4	76.5	77.2	78.3	81.8	87.2	88.2	89.4	86.9	0	0	0		
OVERALL MEASURED																				
OVERALL CALCULATED		106.8	107.1	107.3	107.3	108.6	108.8	110.4	111.8	115.0	117.9	119.7	122.8	124.1	123.2	0	0	0		
PNDB		119.2	119.5	119.6	119.5	120.7	121.0	122.6	123.2	127.3	130.3	131.6	134.1	135.0	134.3	0	0	0		

ORIGINAL PAGE IS OF POOR QUALITY

REV. ALPHA 12/73	FREQ.	ANGLES FROM INLET IN DEGREES (AND RADIAN)																		PWL
		30	40	50	60	70	80	90	100	110	120	130	140	150	160	0	0	0	0	
RDG. NO. 01	50	76.3	76.8	78.4	76.7	78.0	77.8	78.4	78.0	80.6	83.6	83.3	89.0	90.3	103.0	103.0	103.0	103.0	130.2	
RDG. NO. 02	63	78.9	78.8	80.4	79.2	80.3	80.2	81.3	80.9	82.9	89.3	87.3	92.6	94.5	103.3	103.3	103.3	103.3	132.8	
RADIAL (40 FT)	80	79.9	81.1	82.2	81.4	82.0	82.7	84.3	84.3	85.3	89.7	91.2	92.1	94.4	100.0	103.3	103.3	103.3	136.1	
RADIAL (121 M)	100	83.2	83.4	85.2	84.2	84.2	85.2	87.5	87.8	89.7	92.9	94.2	95.1	97.7	100.0	103.3	103.3	103.3	137.7	
VEHICLE JENOTS	125	85.5	86.0	86.0	86.5	86.2	88.5	91.2	90.5	93.0	92.2	97.7	100.7	103.7	103.7	103.7	103.7	103.7	140.7	
CONFIG JENOTS	160	91.4	89.2	88.9	88.7	89.7	91.7	94.4	93.4	96.9	100.7	100.7	105.5	107.7	107.7	107.7	107.7	107.7	142.4	
LOC EVENDALE	200	92.0	91.6	89.9	90.3	91.3	93.0	94.5	93.3	97.3	101.3	105.6	110.0	110.5	110.5	110.5	110.5	110.5	144.6	
DATE 04-16-73	250	94.0	93.8	92.8	93.3	94.0	94.0	95.3	95.5	98.3	101.8	108.8	113.0	113.7	113.7	113.7	113.7	113.7	146.6	
RUN DBT MODEL 7	315	95.3	94.6	94.1	94.7	95.0	96.5	96.9	95.7	98.3	100.3	106.0	110.5	110.5	110.5	110.5	110.5	110.5	148.9	
TAPE X70250	400	95.2	92.7	97.8	94.7	95.9	95.7	98.1	98.6	102.1	109.8	108.5	114.5	116.5	116.5	116.5	116.5	116.5	149.4	
BAR 29.9 HG	500	99.3	98.1	98.1	96.0	97.2	97.9	100.2	101.5	104.2	108.2	111.7	119.1	119.1	119.1	119.1	119.1	119.1	150.9	
BAR (01039 N/M2)	630	99.8	99.2	99.2	97.0	98.2	99.0	100.4	101.4	105.4	108.7	114.2	118.8	119.2	119.2	119.2	119.2	119.2	152.3	
TAMB 59 DEG F	800	100.0	99.4	99.9	99.0	100.3	99.8	101.4	103.1	106.5	111.5	113.7	117.7	119.1	119.1	119.1	119.1	119.1	151.7	
TAMB (288 DEG K)	1000	101.3	99.1	100.0	99.8	101.2	101.7	103.7	104.4	106.9	112.6	114.0	115.7	118.1	118.1	118.1	118.1	118.1	151.7	
TWET 53 DEG F	1250	100.0	100.0	100.0	100.0	101.6	102.2	104.3	103.8	105.4	108.1	112.3	113.6	115.5	117.4	117.4	117.4	117.4	151.1	
TWET (289 DEG K)	1600	101.1	101.0	101.0	101.0	103.0	102.9	104.3	103.8	105.4	109.0	112.4	113.7	115.5	117.4	117.4	117.4	117.4	151.1	
HACT 8.91 GM/M3	2000	101.9	100.6	100.0	100.0	101.4	102.5	104.5	105.7	109.8	112.1	113.3	117.5	117.4	117.4	117.4	117.4	117.4	151.6	
HACT (00891 KG/M3)	2500	101.6	101.6	101.0	100.0	101.4	102.5	104.5	105.7	109.8	112.1	113.3	117.5	117.4	117.4	117.4	117.4	117.4	151.7	
FREQ. SHIFT	3150	101.8	101.5	100.0	101.0	102.1	102.6	104.1	105.4	109.3	112.9	114.0	116.8	116.8	116.8	116.8	116.8	116.8	152.1	
JET 0	4000	100.0	101.0	100.0	100.0	101.7	101.9	103.9	105.5	109.9	112.5	114.4	116.9	114.1	114.1	114.1	114.1	114.1	151.2	
DIAMETER RATIO	5000	100.6	103.4	101.7	103.5	101.4	102.4	104.3	105.3	110.7	112.3	114.5	116.1	113.1	113.1	113.1	113.1	113.1	151.4	
DF/DH 1.00	6300	98.7	102.5	103.4	103.3	103.3	102.4	103.8	105.3	109.5	112.3	114.5	115.1	112.0	112.0	112.0	112.0	112.0	150.7	
	8000	97.8	100.0	101.5	103.3	105.3	103.6	103.5	105.2	108.5	111.4	112.9	113.3	110.4	110.4	110.4	110.4	110.4	149.8	
	10000	96.3	99.0	99.9	101.1	103.6	104.0	103.8	104.6	108.0	110.0	111.7	112.3	109.8	109.8	109.8	109.8	109.8	149.2	
	12500	94.7	98.5	99.9	99.6	101.5	102.2	103.8	103.9	105.8	108.1	110.0	110.5	108.4	108.4	108.4	108.4	108.4	147.9	
	16000	92.3	96.1	97.7	98.7	100.4	100.1	102.0	102.3	105.0	106.9	108.8	109.4	106.9	106.9	106.9	106.9	106.9	147.0	
	20000	89.4	93.7	95.5	96.9	98.7	98.4	99.3	100.5	103.4	104.4	107.3	107.1	104.9	104.9	104.9	104.9	104.9	145.5	
305	25000	87.3	92.3	93.8	95.1	96.6	97.4	98.5	99.0	101.3	103.6	105.1	105.7	103.3	103.3	103.3	103.3	103.3	144.4	
	31500	84.2	89.6	91.1	92.6	93.6	94.9	95.7	96.9	99.1	101.0	103.7	103.3	101.3	101.3	101.3	101.3	101.3	142.8	
	40000	82.2	87.1	88.8	89.9	90.5	91.8	92.7	93.9	96.8	98.1	101.0	100.4	99.4	99.4	99.4	99.4	99.4	140.9	
	50000	79.8	84.7	85.5	87.0	87.5	88.8	90.3	91.0	94.0	96.1	99.6	99.1	97.9	97.9	97.9	97.9	97.9	140.1	
	63000	77.4	81.1	83.3	84.7	84.5	85.3	87.5	89.8	91.8	94.4	98.0	98.0	96.7	96.7	96.7	96.7	96.7	140.4	
	80000	75.4	77.3	79.1	80.3	80.3	81.9	86.2	88.4	88.8	94.1	96.4	98.2	96.7	96.7	96.7	96.7	96.7	142.7	
OVERALL MEASURED																				
OVERALL CALCULATED		112.2	112.8	113.0	113.1	114.3	114.5	115.9	117.0	120.6	123.9	126.0	128.9	129.7	127.9				164.1	
PNDS		125.2	125.7	125.5	125.3	126.3	126.6	128.1	129.3	133.3	136.6	138.4	141.8	141.2	137.6					

115

REV, ALPHA 12773	FREQ.	ANGLES FROM INLET IN DEGREES (AND RADIANS)																PWL	
		30	45	50	60	70	80	90	100	110	120	130	140	150	160	0	0		0
NO EGA	50	51,6	61,8	63,1	62,7	63,2	63,3	64,6	64,0	56,4	67,1	69,8	72,0	75,1	78,5				109,5
RDG, NO: 01	80	52,8	63,3	64,4	64,7	65,5	65,4	66,5	66,7	57,9	68,6	72,3	74,4	78,0	80,8				112,0
RADIAL 40, FT	100	54,6	65,4	66,5	66,9	67,3	66,9	68,8	68,7	60,8	72,4	75,7	79,1	81,3	83,9				115,2
(12, M)	125	57,4	67,4	69,4	69,2	68,9	69,9	73,0	73,6	65,2	76,4	80,5	82,5	86,0	87,9				119,5
VEHICLE JENDTS	160	60,2	70,0	70,5	70,5	70,5	73,7	76,4	76,5	68,5	80,5	82,5	86,1	89,0	90,3				122,2
CONFIG JE-055	200	66,5	77,0	75,0	76,5	77,0	79,0	79,5	80,5	72,8	85,5	87,3	91,1	93,1	93,5				123,6
LOC EVENDALE	250	71,0	80,0	79,5	79,8	79,8	80,0	82,5	82,5	79,3	88,8	91,8	93,3	96,6	97,4				126,5
DATE 04-16-75	315	71,8	80,3	81,4	82,4	82,3	83,0	82,3	82,8	77,8	89,8	93,3	94,6	98,7	102,9				129,9
RUN DBTF MODEL 7	400	68,7	76,7	78,8	79,4	80,7	81,0	83,6	84,6	77,8	90,3	90,0	96,0	99,9	98,4				131,4
TAPE X70260	500	69,8	79,8	80,8	79,3	81,0	81,9	83,2	85,0	77,7	89,2	90,7	97,9	98,6	96,6				131,8
BAR 29,9 HG	630	69,6	80,2	81,7	80,4	81,7	81,0	84,3	84,9	78,2	88,9	91,7	96,6	97,7	95,8				130,8
(01039, N/M2)	800	69,0	80,2	81,4	81,5	83,6	82,3	84,5	85,9	78,3	91,0	91,2	96,8	94,0	95,8				130,0
TAMB 59, DEG F	1000	70,1	80,4	82,0	81,4	82,0	83,2	84,9	85,8	78,9	91,3	92,5	93,2	92,3	90,7				128,9
(288, DEG K)	1250	69,5	80,9	82,1	81,5	82,0	82,9	84,7	85,7	78,2	90,4	93,3	94,0	91,2	87,9				128,9
THET 53, DEG F	1600	69,1	80,7	81,2	81,0	82,1	83,2	84,8	85,5	77,6	89,3	91,6	91,5	89,9	85,7				127,4
(285, DEG K)	2000	70,1	79,8	80,0	81,0	82,7	83,4	83,8	84,8	76,7	88,4	90,7	91,0	87,1	84,8				126,7
MAGY 8,91 G4/M3	2500	68,3	80,6	81,0	80,2	81,1	81,7	83,0	84,4	76,8	88,1	88,8	89,7	85,9	82,8				125,7
(,00891 KG/M3)	3150	67,8	80,2	79,8	80,7	80,9	81,6	82,8	83,7	75,3	87,4	88,4	88,2	86,1	83,2				125,3
FREQ, SHIFT	4000	65,7	78,0	78,8	78,4	79,9	80,9	81,7	82,7	74,6	86,2	86,6	86,8	84,1	81,3				123,8
JET 0	5000	65,1	77,1	77,7	77,9	78,9	79,4	80,4	82,1	74,6	85,3	85,5	85,4	83,1	80,4				122,9
DIAMETER RATIO	6300	63,8	75,9	76,6	77,7	78,7	79,3	79,5	80,7	73,1	83,5	84,5	84,3	81,7	79,9				121,9
DF/DM 1,00	8000	62,4	75,4	75,7	76,4	77,7	77,7	78,6	79,6	70,9	82,3	82,8	81,9	80,1	79,5				120,7
	10000	61,0	73,7	74,9	75,5	76,7	76,1	77,5	78,3	70,4	81,1	81,1	81,0	78,7	77,8				119,8
	12500	59,3	72,9	73,7	73,7	75,1	74,8	76,1	77,2	66,9	79,8	79,4	78,9	77,1	76,0				118,6
	15000	56,7	70,7	71,3	71,3	73,7	73,0	74,8	75,3	67,1	77,5	78,2	77,0	75,7	74,1				117,3
	20000	55,9	68,0	68,7	69,0	70,3	70,5	72,1	73,1	65,2	75,7	76,1	75,4	73,9	72,5				115,5
	25000	52,1	67,1	66,8	67,4	68,2	68,4	69,8	71,3	62,8	73,4	73,4	73,0	73,1	71,1				114,0
	31500	49,3	64,1	63,9	64,9	65,2	66,5	67,3	68,7	60,1	71,6	71,7	70,6	71,6	69,0				112,4
	40000	49,0	64,0	63,7	64,0	64,1	63,6	64,8	66,5	57,6	68,6	68,3	67,0	69,2	69,5				110,8
	50000	46,4	61,1	61,1	60,9	60,8	60,1	63,1	64,8	55,1	67,7	67,0	64,4	70,0	70,4				110,6
	63000	45,0	57,7	57,6	58,4	58,2	56,9	63,1	65,5	54,2	70,3	65,9	64,3	72,5	73,1				113,6
	80000	45,6	55,2	53,7	56,7	57,2	56,1	64,4	66,8	54,2	71,7	66,1	63,3	74,6	74,7				117,9
OVERALL MEASURED		81,3	92,0	92,7	92,8	93,7	94,2	95,7	96,8	89,5	101,2	103,0	105,5	106,7	107,3				144,2
OVERALL CALCULATED		92,8	104,3	104,6	105,1	105,7	106,4	107,7	108,7	101,0	112,6	114,0	115,2	114,8	115,1				



☆ 10 dB TOO LOW

ORIGINAL PAGE IS
OF POOR QUALITY

REV: ALPHA 12/73	FREQ.	ANGLES FROM INLET IN DEGREES (AND RADIANS)																	PHL
		30	40	50	60	70	80	90	100	110	120	130	140	150	160	0	0	0	
NO EGA	50	59,3	68,3	70,1	69,2	67,7	67,8	68,1	68,3	69,9	71,3	74,0	76,0	78,6	81,7				113,4
RDG: NO:	80	60,4	70,6	71,8	72,1	72,0	72,4	72,8	72,8	64,6	76,4	79,7	82,9	85,5	88,4				116,4
RADIAL (12, 4)	100	62,4	72,7	74,4	73,4	73,2	74,2	77,0	77,1	69,2	80,7	83,2	87,3	91,0	91,7				119,5
VEHICLE JENOTS	125	65,0	74,7	75,5	76,5	74,7	77,7	80,2	80,0	72,5	84,5	86,7	90,1	93,3	94,3				123,6
CONFIG JE-055	160	69,4	77,7	77,7	78,2	78,7	81,7	83,9	82,9	76,4	87,4	88,7	91,7	94,4	96,6				126,3
LOC EVENDALE	200	70,3	81,0	79,0	80,3	81,3	82,8	83,5	84,0	77,0	88,8	91,3	95,1	97,5	98,3				128,3
DATE 04-16-75	250	73,3	84,0	82,5	83,0	84,5	84,3	85,0	85,3	82,5	91,3	94,8	96,8	101,2	99,9				130,7
RUN DBTF-MODEL 7	315	75,0	84,4	84,5	85,3	86,0	86,5	85,5	86,8	79,8	92,8	96,6	99,0	103,2	104,3				133,3
TAPE X70270	400	72,9	81,2	82,3	83,4	85,2	84,7	86,6	86,6	80,8	93,8	96,8	99,0	103,7	104,4				135,8
BAR 29.9 HG	500	73,1	84,3	85,6	84,0	85,7	86,4	88,5	89,5	81,2	93,2	95,0	101,9	102,6	98,6				135,4
(01039, N/M2)	630	73,8	85,2	86,4	84,7	86,2	86,2	88,6	90,1	82,4	93,4	97,4	101,6	102,1	98,5				135,4
TAMB 59 DEG F	800	73,7	85,1	86,1	86,3	87,5	87,3	88,7	91,7	83,0	96,0	98,2	100,0	99,0	99,8				135,0
(288, DEG K)	1000	75,8	85,4	87,0	86,6	87,3	88,2	90,4	91,3	84,4	96,6	96,5	98,2	97,1	94,4				134,1
THET 53 DEG F	1250	74,7	85,9	87,1	87,0	87,7	88,4	91,2	91,4	83,2	96,4	99,9	99,7	95,9	92,7				134,5
(285, DEG K)	1600	74,6	86,7	86,9	86,7	88,3	89,2	91,5	91,7	84,1	96,0	97,8	97,7	95,4	91,5				133,7
HACT 8.91 GH/M3	2000	75,8	86,1	86,0	88,2	88,7	89,4	90,5	91,1	84,0	96,1	97,4	97,5	95,4	91,0				133,6
(,00891 KG/M3)	2500	74,8	86,3	88,0	86,2	87,6	88,4	90,5	91,2	83,8	95,6	96,8	96,7	94,2	89,5				133,0
FREQ SHIFT	3150	74,1	86,4	86,3	87,0	88,1	88,6	90,0	91,1	83,3	95,4	95,9	96,1	93,8	89,4				132,7
JET 0	4000	72,7	85,0	85,8	86,1	87,7	88,4	89,2	91,0	83,3	94,9	95,6	95,6	93,3	89,0				132,3
DIAMETER RATIO	5000	72,3	84,6	84,7	85,4	87,1	88,2	89,9	91,1	83,6	95,3	95,3	95,2	93,1	89,9				132,3
DF/DM 1,00	6300	71,6	83,7	84,9	86,0	87,0	87,9	88,7	90,2	83,1	94,5	95,0	94,8	93,4	89,9				132,0
	8000	70,6	83,9	84,9	84,9	87,2	87,5	88,4	89,3	82,2	93,6	94,1	93,0	92,9	90,8				131,6
	10000	70,2	83,9	84,2	85,2	85,9	86,4	87,0	88,5	81,6	92,6	93,4	93,0	92,9	91,0				131,2
	12500	68,6	82,9	83,5	83,9	85,3	85,3	86,6	87,7	79,4	91,5	92,2	91,4	91,3	90,7				130,4
	16000	66,2	80,0	81,5	81,5	83,5	83,2	85,1	86,1	78,4	89,8	90,7	89,7	89,7	89,3				129,1
	20000	64,4	80,5	80,2	80,5	81,5	81,2	82,6	83,1	76,5	87,7	88,4	88,1	87,7	87,5				127,6
308	25000	62,9	78,8	79,8	80,4	81,2	80,4	81,6	82,1	74,1	85,1	86,1	85,8	85,9	86,1				126,4
	31500	62,3	80,1	81,2	81,6	83,4	84,5	83,5	85,7	74,9	86,3	84,2	83,1	83,6	82,8				126,4
	40000	58,0	75,5	75,5	75,8	76,6	76,9	77,3	78,7	70,6	79,6	81,1	79,5	80,2	80,7				122,9
	50000	54,9	71,4	72,4	71,9	72,1	72,4	73,1	74,3	66,6	78,0	78,5	77,4	78,0	77,6				120,8
	63000	55,3	68,8	69,9	70,1	69,7	68,7	69,6	71,5	64,9	78,1	76,6	75,6	76,3	76,1				121,0
	80000	54,3	65,7	65,7	67,0	67,0	66,3	66,6	69,3	64,0	80,2	76,1	76,3	75,6	75,5				124,1
OVERALL MEASURED																			
OVERALL CALCULATED		86,6	98,0	98,7	98,8	100,0	100,6	102,1	103,2	95,7	107,6	109,2	111,0	111,7	110,3				146,8
PND8		98,7	110,5	111,1	111,2	112,4	113,0	114,5	115,6	108,0	119,9	121,0	122,0	121,1	119,1				



★ 10 dB TOO LOW

REV: ALPHA 12/73	FREQ.	ANGLES FROM INLET IN DEGREES (AND RADIAN\$)																PNL
		30	40	50	60	70	80	90	100	110	120	130	140	150	160	170	180	
NO EGA.	50	68,3	68,8	69,9	69,7	70,5	70,3	70,6	70,3	72,6	74,3	77,5	80,0	83,1	88,2		118,0	
RDG. NO.	63	70,8	71,3	72,2	72,7	73,0	73,2	73,8	74,2	75,1	78,3	81,6	83,9	87,7	90,6		124,4	
RADIAL 40, FT.	80	73,1	73,9	74,8	74,9	75,5	75,2	77,1	78,3	78,6	81,1	84,2	87,6	90,8	94,1		124,6	
(12, M)	100	76,2	76,7	78,2	77,2	77,2	78,2	81,0	81,3	83,5	85,2	87,9	92,3	96,5	97,2		128,8	
VEHICLE JENOTS	125	79,2	79,0	79,5	79,7	79,2	82,0	84,7	84,7	86,7	89,0	91,2	93,1	98,3	99,8		131,4	
CONFIG JE=055	160	84,9	82,4	82,2	82,7	83,7	85,7	87,9	86,9	90,2	91,9	93,2	96,4	98,9	101,9		133,2	
LOC EVENDALE	200	84,8	85,3	86,3	84,8	84,5	86,5	87,8	88,8	90,3	93,0	96,3	100,1	102,2	104,0		135,8	
DATE 04-16-75	250	87,8	87,0	86,8	87,3	87,3	87,8	88,5	88,8	90,0	93,0	96,3	99,8	102,8	104,4		138,5	
RUN DBT=MODEL 7	315	89,3	87,5	88,0	89,0	89,3	89,7	89,0	92,3	93,5	97,0	101,8	103,9	108,7	109,0		140,9	
TAPE X70250	400	87,2	84,7	86,3	87,2	88,7	89,0	90,8	92,3	95,1	98,3	99,0	103,3	109,5	106,1		141,0	
BAR 29,9 HG	500	89,6	88,8	89,8	88,5	89,7	90,1	92,5	94,0	96,7	98,2	100,7	107,4	108,6	105,1		141,1	
(01039, N/42)	630	89,1	90,9	90,9	89,5	90,7	90,3	93,4	94,4	97,7	99,7	103,7	107,4	108,7	105,3		141,7	
TAMB 59, DEG. F	800	89,0	89,4	91,8	91,8	92,3	92,8	93,4	94,7	96,3	98,5	102,0	104,7	106,0	105,7		141,4	
(288, DEG. K)	1000	90,8	90,4	91,8	91,4	92,3	93,2	95,2	96,3	99,4	102,8	105,7	109,4	103,6	101,4		141,0	
THEY 53, DEG. F	1250	90,7	90,7	91,9	91,8	93,0	93,9	95,7	96,9	99,7	103,4	106,1	106,7	103,2	100,2		141,3	
(285, DEG. K)	1600	90,3	92,2	92,2	92,5	93,8	94,2	96,5	97,7	100,3	103,5	105,6	105,2	103,1	99,5		141,3	
HAGY 8,91 GM/M3	2000	91,8	91,8	91,3	92,7	94,7	95,1	96,0	97,8	100,5	103,6	105,2	108,5	104,1	101,0		141,7	
(100891, KG/M3)	2500	91,8	92,3	92,5	92,0	93,1	94,2	96,0	97,4	101,3	103,3	104,8	106,0	103,7	101,3		141,4	
FREQ. SHIFT	3150	91,8	92,9	92,5	93,2	94,4	94,9	96,5	97,9	100,8	103,4	104,7	105,1	104,6	102,9		141,8	
JET	4000	91,7	91,7	91,8	92,1	93,7	94,6	96,1	98,2	101,1	103,2	104,8	105,6	104,3	103,5		141,7	
DIAMETER RATIO	5000	91,1	92,1	92,8	92,7	93,6	94,4	96,3	98,1	101,9	103,3	104,5	105,2	106,3	104,9		142,3	
DF/DH 1:00	6300	91,1	93,4	92,8	93,2	93,7	95,0	95,7	98,0	101,1	102,8	104,0	105,3	106,7	104,9		142,1	
	8000	92,4	95,2	93,7	92,9	94,2	94,5	95,6	97,3	100,1	102,3	103,3	104,1	106,3	104,8		141,8	
	10000	94,5	97,9	96,9	95,7	94,9	93,8	94,4	96,5	99,8	101,1	102,1	103,2	105,1	103,5		141,5	
	12500	92,6	96,8	97,9	97,7	97,6	94,8	94,6	95,7	98,6	100,0	100,9	102,8	103,5	101,7		141,2	
	16000	88,9	93,0	94,7	95,8	97,7	95,7	94,3	94,6	96,6	98,0	100,2	101,0	101,2	99,1		140,1	
	20000	85,9	90,0	90,7	92,2	94,3	93,7	93,6	93,4	95,7	96,2	98,4	98,6	98,9	97,2		133,4	
309	25000	83,1	88,3	89,1	89,9	90,9	90,7	92,1	92,1	93,6	94,9	95,4	96,3	97,1	94,8		136,8	
	31500	79,9	85,0	87,2	87,5	87,8	88,3	89,4	90,1	91,5	92,2	94,1	94,0	95,5	92,9		135,2	
	40000	77,1	82,0	83,5	84,6	85,4	84,7	85,9	86,3	88,4	89,2	90,4	90,8	92,3	91,0		132,8	
	50000	73,7	79,2	80,4	81,7	81,9	82,2	83,0	83,7	85,4	87,3	89,1	88,5	90,9	88,7		131,6	
	63000	71,1	76,3	77,7	78,7	79,2	78,8	79,5	81,3	83,0	86,9	87,5	86,9	89,6	87,2		131,7	
	80000	67,6	74,0	74,3	75,8	76,3	76,1	76,9	79,1	78,3	85,1	87,1	86,4	87,6	86,3		133,8	
OVERALL MEASURED																	154,6	
OVERALL CALCULATED		104,0	105,8	106,0	106,1	107,0	106,9	108,1	109,6	112,5	114,8	116,7	118,5	119,1	117,5			
PND		119,1	117,0	116,9	117,2	118,2	118,8	120,4	122,8	124,9	127,3	129,0	130,7	130,6	129,0			

ORIGINAL PAGE IS
OF POOR QUALITY

MODEL SOUND PRESSURE LEVELS (99, DEG, F, 70 PERCENT REL, HUM, DAY - JENOTS)

REV, ALPHA 12/73	FREQ.	ANGLES FROM INLET IN DEGREES (AND RADTANS)																	PWL
		30	40	50	60	70	80	90	100	110	120	130	140	150	160	170	180		
NO EGA	50	66,8	66,8	68,1	67,7	68,2	68,6	68,9	68,3	70,6	71,3	74,3	77,8	81,1	90,2			118,1	
RDG, NO.	63	69,1	69,6	70,7	70,5	71,5	71,4	72,0	72,2	73,6	75,6	78,8	82,4	86,0	91,1			120,4	
RADIAL (12, FT)	80	71,4	71,9	73,0	72,6	73,5	73,7	75,3	74,6	76,3	78,6	82,2	86,4	88,5	93,1			123,1	
VEHICLE JENOTS	100	74,2	74,4	76,2	75,4	75,7	76,7	79,0	78,2	81,5	83,4	85,9	91,0	94,5	96,4			127,4	
CONFIG JEM059	125	78,2	77,5	78,0	78,0	78,0	80,0	82,7	82,6	85,0	87,5	89,7	94,1	96,3	98,8			130,0	
LOC EVENDALE	160	82,9	80,9	81,2	80,9	81,9	84,2	86,1	85,4	89,2	90,4	91,9	96,4	99,1	101,1			132,7	
DATE 04-16-73	200	84,5	84,5	81,5	82,5	83,3	85,3	86,3	86,5	88,8	92,0	95,3	100,1	102,5	104,5			135,7	
RUN DBTF-MODEL 7	250	87,0	87,0	85,8	86,0	86,0	86,8	87,8	88,0	94,8	95,0	99,8	102,5	106,4	105,6			138,6	
TAPE X7D290	315	89,0	87,5	87,3	88,0	88,5	88,7	88,3	91,3	92,8	96,8	98,8	101,3	108,2	110,3			140,9	
BAR 29,9 HG	400	91,1	89,8	89,8	87,8	89,0	89,6	91,7	92,7	95,2	98,1	101,2	106,6	109,0	107,9			141,2	
(01039 N/M2)	500	91,8	90,5	91,0	88,2	90,2	89,8	91,7	93,1	95,9	98,2	101,2	106,6	109,9	107,6			143,6	
TAMB 59, DEG F	630	91,7	90,7	91,4	90,5	91,3	91,0	93,2	94,6	97,0	100,8	103,2	110,1	111,9	110,6			144,1	
(288, DEG K)	800	92,3	90,4	91,0	90,4	91,3	91,9	93,7	94,8	97,4	100,8	104,5	106,5	110,0	112,5			143,8	
THET 53, DEG F	1000	90,7	90,2	91,1	90,3	91,3	91,7	94,4	94,7	97,2	101,1	104,3	106,2	107,1	104,9			141,1	
(285, DEG K)	1250	89,1	89,4	89,9	90,3	91,8	92,3	94,0	94,8	97,4	100,0	103,4	104,0	103,1	101,0			139,4	
HACT 8,91 G4/M3	1600	88,9	89,4	89,4	90,7	92,3	92,4	93,3	94,1	96,8	99,9	102,5	103,0	101,1	98,8			138,5	
(100691 KG/M3)	2000	88,9	90,1	90,1	89,5	90,2	91,2	93,0	94,2	96,3	99,1	101,1	102,2	98,7	96,8			137,6	
FREQ, SHIFT	2500	87,4	90,2	89,8	91,0	91,4	91,4	92,3	93,5	95,6	98,7	100,0	100,0	97,4	94,7			136,6	
JET 0	3150	86,3	88,5	89,1	88,9	90,0	90,9	91,7	93,1	95,4	98,3	98,7	98,7	95,4	92,4			135,7	
DIAMETER RATIO	4000	85,4	87,4	87,8	88,2	88,9	90,0	91,2	92,4	95,2	98,1	98,1	98,0	94,9	92,0			135,2	
DF/DM 1,00	5000	84,5	88,0	87,5	87,8	88,3	89,1	89,7	90,4	92,3	95,0	97,1	96,6	94,8	92,1			134,4	
10000	83,3	86,4	86,9	87,3	88,3	88,9	89,6	90,5	91,5	94,0	96,4	97,1	96,8	94,8	91,7			133,5	
12500	81,7	85,9	85,7	86,2	87,9	87,6	88,2	89,7	91,8	93,4	94,3	94,4	92,9	90,2				132,6	
15000	79,3	83,9	84,7	84,4	86,1	86,1	87,4	88,0	90,2	91,8	92,7	92,1	90,8	88,2				131,2	
20000	77,0	81,3	81,8	82,1	85,0	84,0	85,6	86,6	88,2	90,1	90,2	90,0	88,0	86,6				129,6	
25000	74,3	79,3	80,0	80,3	81,8	82,0	83,1	85,4	87,8	88,2	87,8	88,2	86,3	84,8				128,0	
31500	72,2	77,9	78,4	78,8	80,0	80,0	80,9	81,9	84,4	86,0	85,0	85,6	84,9	83,2				126,4	
40000	69,5	75,6	75,9	76,3	77,1	78,2	79,0	80,2	81,6	83,6	84,0	83,1	82,6	80,8				124,7	
50000	67,9	75,6	75,9	75,4	76,0	75,8	77,5	78,7	80,8	80,8	81,0	80,7	80,4	80,1				123,7	
63000	65,8	73,2	73,3	73,3	72,9	73,5	74,5	75,7	78,0	79,6	78,6	81,3	80,7	80,8				123,1	
80000	64,7	65,0	65,8	66,1	67,1	66,4	66,5	67,7	74,1	80,8	77,0	83,2	82,1	83,2				124,6	
OVERALL MEASURED																			
OVERALL CALCULATED		101,6	101,6	102,0	101,7	102,8	103,1	104,6	105,6	108,2	111,2	113,8	117,6	119,0	118,7			152,6	
PND8		112,9	114,2	114,2	114,5	119,9	119,7	116,9	117,9	120,4	123,3	125,2	127,4	127,3	126,8				

REV. ALPHA 12/73	FREQ.	ANGLES FROM INLET IN DEGREES (AND RADIANS)																PWL
		30	40	50	60	70	80	90	100	110	120	130	140	150	160	170	180	
NO EGA	50	71,3	71,6	72,6	71,2	72,2	72,3	72,9	73,0	75,4	77,3	79,8	83,3	86,9	90,4	98,2	125,3	
RDG, NO	63	75,6	73,8	75,4	75,0	75,8	75,7	76,3	76,2	77,6	81,1	83,3	86,9	90,4	98,6	98,6	126,5	
RADIAL (40, FT)	80	79,7	77,1	77,8	77,1	77,9	77,9	79,8	79,3	81,6	84,1	87,2	91,4	94,0	100,1	100,1	129,1	
VEHICLE JENOTS	100	82,7	82,7	81,2	82,2	82,7	84,7	87,4	86,7	89,2	92,0	94,2	98,4	101,0	103,7	103,7	133,3	
CONFIG JEF055	125	86,4	85,4	85,4	85,2	86,2	88,4	90,6	89,7	93,2	96,0	94,2	98,4	101,0	105,3	105,3	135,2	
LOC EVENDALE	160	88,8	88,3	86,0	87,3	87,8	89,5	90,3	90,3	93,0	96,3	99,6	104,4	107,0	110,0	110,0	140,4	
DATE 04-16-75	200	90,5	90,5	89,5	89,5	89,8	90,5	91,3	91,5	91,8	93,0	96,5	100,0	103,3	108,9	108,9	142,4	
RUN DBTF MODEL 7	250	92,5	90,3	90,8	91,5	92,3	92,5	91,8	91,8	94,5	98,6	102,3	105,8	108,8	112,9	114,0	145,2	
TAPE X70300	315	94,7	93,7	93,8	94,8	93,5	93,9	96,0	94,6	94,6	100,2	102,2	105,7	111,5	114,2	112,1	145,9	
BAR 29,9 HG	400	94,1	93,1	94,7	93,0	94,5	94,3	96,1	97,4	101,2	103,7	108,0	113,8	116,2	113,8	113,8	148,1	
(01039; N/H2)	500	95,8	94,7	94,7	94,7	94,5	95,5	97,2	97,2	101,8	103,8	108,7	111,8	116,0	116,0	116,0	148,5	
TAMB 59; DEG F	630	94,7	94,2	94,9	94,8	96,6	95,5	97,2	99,1	101,8	105,8	108,7	111,8	116,0	116,0	116,0	146,4	
(288; DEG K)	800	96,8	94,1	95,0	94,7	95,3	96,2	98,7	99,9	102,9	109,8	108,7	111,8	112,2	112,1	112,9	146,3	
TWET 53; DEG F	1000	94,5	94,9	95,1	95,5	96,0	98,0	99,2	100,3	102,4	106,3	109,3	111,4	111,4	109,0	109,0	145,3	
(285; DEG K)	1250	94,6	95,7	94,7	95,4	97,5	97,9	99,1	100,1	103,0	106,7	108,0	109,3	109,3	109,6	109,1	145,2	
HACT 8,91 GM/M3	1600	95,6	95,9	95,8	94,8	96,7	98,4	99,0	100,5	103,6	107,6	107,1	109,4	108,7	108,5	108,5	145,1	
(,00891 KG/M3)	2000	94,9	96,0	95,8	95,5	96,9	97,4	98,6	100,0	103,1	107,2	107,2	109,4	109,1	109,0	109,0	144,8	
FREQ SHIFT	2500	94,3	95,6	94,8	94,4	96,5	97,2	98,2	100,2	103,2	107,0	107,0	109,0	108,9	108,1	108,1	144,3	
JET 0	3150	95,4	96,4	95,8	95,2	97,2	97,0	98,1	100,2	103,7	107,1	106,4	108,2	109,1	107,7	107,7	144,7	
DIAMETER RATIO	4000	97,2	99,3	97,7	96,8	97,4	97,4	98,1	100,1	103,5	107,1	105,8	108,2	109,1	106,3	106,3	144,6	
DF/DM 1,00	5000	98,1	101,1	100,6	99,1	98,8	97,7	97,8	99,5	102,6	104,7	104,7	107,7	108,2	106,7	106,7	144,5	
	6300	99,9	99,6	100,2	101,2	100,9	98,1	97,4	98,8	101,4	104,1	104,1	106,1	106,1	105,7	105,7	144,3	
	8000	92,8	98,9	97,5	98,4	100,3	99,3	97,9	97,7	100,4	103,0	102,9	105,1	105,1	103,2	103,2	143,3	
	10000	91,2	95,3	95,5	96,1	98,0	97,8	97,6	97,1	99,2	100,8	101,5	103,5	103,0	101,6	101,6	142,1	
	12500	88,8	93,1	94,3	94,3	95,3	94,8	95,9	96,4	97,8	98,8	99,7	101,0	101,0	99,6	99,6	140,5	
	16000	86,5	90,9	91,7	93,0	93,8	93,8	94,4	94,4	95,7	97,0	96,9	98,3	99,9	97,9	97,9	139,0	
	20000	83,3	87,6	88,6	89,8	90,4	91,7	92,0	92,2	92,6	94,1	95,5	96,1	96,6	94,5	94,5	137,1	
	25000	80,7	85,6	86,6	87,7	88,5	88,1	88,8	88,7	90,3	91,3	92,5	93,4	93,9	92,4	92,4	135,1	
	31500	77,8	82,5	84,0	84,8	85,2	85,0	85,8	86,2	87,5	89,6	90,6	91,1	92,2	90,0	90,0	133,8	
	40000	75,6	79,4	81,0	82,0	81,8	81,8	82,5	83,1	84,3	86,2	88,7	88,4	90,6	88,7	88,7	133,5	
	50000	72,2	75,6	76,8	78,3	78,1	77,9	79,2	79,7	80,4	82,4	87,4	86,7	88,8	87,6	87,6	135,2	
OVERALL MEASURED																	158,3	
OVERALL CALCULATED		108,1	109,2	109,2	109,2	110,1	110,0	110,9	112,0	115,0	118,0	119,6	122,7	124,3	123,8			
PND8		120,1	121,4	120,5	120,2	121,3	121,7	122,9	124,2	127,3	130,5	131,7	133,9	135,1	134,8			

ORIGINAL PAGE IS
 OF POOR QUALITY

MODEL SOUND PRESSURE LEVEL'S (59° DEG. F, 70 PERCENT REL. HUM. DAY - JENOTS)

REV. ALPHA 12/73	FREQ.	ANGLES FROM INLET IN DEGREES (AND RADIANS)																PWL
		30	40	50	60	70	80	90	100	110	120	130	140	150	160	170	180	
NO EGA	50	74,8	74,3	75,1	75,4	76,0	77,1	77,6	79,0	78,9	85,6	84,3	86,5	91,3	100,5			128,2
REG. NO.	63	79,8	79,1	79,2	79,0	79,0	79,9	80,8	81,7	81,6	87,3	86,3	91,1	95,2	101,3			130,2
RADIAL 46 FT.	100	84,2	84,4	85,4	84,4	83,7	85,9	88,2	92,1	90,5	93,4	94,9	99,5	104,3	103,9			133,0
(12. 1)	125	88,0	87,0	86,5	87,5	86,5	89,0	91,4	91,7	93,5	96,7	98,2	102,1	105,8	109,0			137,3
VEHICLE JEVOTS	166	93,2	89,7	89,7	90,2	89,4	92,4	94,4	95,2	97,2	99,4	100,9	104,4	108,4	109,4			141,3
CCNFIG JEVOTS	230	94,0	92,3	90,3	91,8	90,5	93,8	94,3	95,3	97,0	100,3	105,1	109,1	112,2	112,8			144,7
LCC EVE-DALE	250	94,3	95,9	93,3	93,8	92,8	94,8	94,8	96,8	98,8	102,8	108,9	112,4	115,3	111,9			147,2
DATE 4-21-75	315	96,3	94,3	95,3	95,8	96,8	96,8	95,8	99,5	99,5	104,8	109,8	111,6	116,7	116,8			148,7
RUN DBTF-MODEL 7	430	94,2	91,5	93,1	94,2	94,7	96,0	97,6	99,6	101,8	105,3	107,5	113,3	117,2	113,4			148,4
TAPE X70310	500	97,1	96,6	96,8	95,5	96,7	97,4	99,5	101,7	103,4	106,2	111,0	117,6	119,6	116,1			151,3
BAR 29,9 HG	630	99,3	98,4	97,9	97,2	97,2	99,5	100,1	102,1	104,7	107,2	112,7	116,6	120,1	116,5			151,6
(31039, N/A2)	800	96,6	98,2	99,3	98,8	99,3	99,8	100,1	102,1	104,7	107,2	112,7	116,6	120,1	116,5			152,1
TAMB 59, DEG F	1000	101,8	90,4	100,5	99,1	98,8	100,7	102,2	104,3	106,6	111,1	113,2	112,9	116,8	116,7			150,4
(288, DEG K)	1250	100,2	99,7	99,9	99,8	100,5	100,9	102,9	105,2	107,2	111,4	114,3	114,7	116,9	115,4			150,9
TWET 53, DEG F	1600	99,8	100,0	99,9	100,8	101,8	102,5	104,0	106,0	107,9	111,0	113,1	114,0	116,4	114,7			150,4
(285, DEG K)	2000	101,9	100,6	99,6	101,7	102,0	102,6	103,3	106,1	108,5	111,7	113,4	115,5	117,9	114,3			151,3
HACT 8,91 GN/H3	2500	102,1	101,1	101,0	100,0	100,9	102,9	103,7	106,5	109,6	112,1	113,5	116,5	116,7	112,8			151,3
(.00891 KG/H3)	3150	102,4	102,5	101,6	101,5	101,4	102,7	103,8	106,4	109,4	111,4	114,0	117,2	115,9	111,2			151,4
FREQ. SHIFT	4000	102,5	104,0	102,6	101,7	101,7	102,9	104,2	106,3	109,6	111,5	114,1	116,1	113,6	109,9			150,9
JET 0	5000	101,9	104,1	104,2	104,2	102,4	103,0	104,4	107,2	110,0	111,6	114,6	115,3	112,4	108,5			150,8
DIAMETER RATIO	6300	99,9	102,5	103,4	105,5	105,8	103,9	104,1	106,8	108,7	110,9	113,5	113,9	111,5	106,8			150,2
DF/DM 1.00	8000	100,0	102,0	102,1	104,0	103,3	105,3	104,2	106,5	108,3	109,9	112,4	112,7	110,7	106,7			149,6
	10000	99,4	101,8	101,8	103,1	103,6	104,7	104,3	106,1	107,7	108,5	111,5	110,8	109,5	105,4			148,9
	12500	97,5	100,5	101,6	103,1	103,0	103,2	104,8	105,6	106,8	107,9	110,0	109,7	108,4	103,8			148,3
	16000	95,6	99,1	99,6	101,2	102,6	102,1	103,0	105,5	105,5	105,9	108,1	108,6	106,9	102,0			147,3
	20000	93,3	97,4	97,6	99,9	99,9	100,3	101,0	104,1	104,1	104,6	106,5	106,3	104,8	99,9			145,9
315	25000	91,4	95,6	96,6	98,2	98,0	99,0	99,4	101,4	101,9	102,7	104,1	104,3	103,6	97,8			144,6
	31500	88,7	92,8	94,1	95,3	94,8	96,9	97,2	99,1	99,1	100,3	102,2	102,5	101,3	95,9			142,9
	40000	86,4	90,9	91,6	93,7	92,7	93,8	94,2	95,6	96,8	97,1	99,3	99,7	98,9	94,1			140,9
	50000	83,5	88,0	89,2	90,3	89,4	91,2	91,8	93,5	94,2	95,1	97,9	98,6	97,9	93,3			140,0
	63000	80,9	85,1	85,5	87,5	85,3	88,8	89,0	91,3	92,3	93,5	96,5	97,0	97,4	93,7			140,3
	80000	77,8	80,9	81,9	84,2	82,4	87,3	86,6	89,0	89,4	92,9	96,0	97,2	97,0	94,4			142,5
OVERALL MEASURED																		
OVERALL CALCULATED		112,9	113,6	113,7	114,4	114,6	115,1	116,0	118,3	120,4	122,8	125,5	127,6	129,2	127,1			163,5
PND8		125,9	126,6	126,2	126,6	126,7	126,9	128,0	130,3	133,0	135,3	138,0	140,4	140,6	137,6			

REV, ALPHA 12/73	FREQ.	ANGLES FROM INLET IN DEGREES, (AND RADIANS)																PWL
		30	40	50	60	70	80	90	100	110	120	130	140	150	160	170	180	
NO EGA	50	68.6	68.3	67.9	67.7	67.7	68.3	68.9	69.5	70.4	71.3	72.3	76.0	79.3	83.0	87.6	93.0	114.1
REG. NO; 0.	63	69.8	69.8	69.7	70.2	70.8	70.9	71.8	72.7	73.6	74.3	75.6	79.4	83.2	87.6	93.0	99.9	117.8
RADIAL 40 FT.	83	73.6	71.9	71.8	72.6	73.0	73.2	74.3	74.6	76.1	77.1	78.7	83.4	86.5	89.9	93.9	99.9	120.6
(12. 4)	100	72.2	73.2	74.4	74.4	74.2	75.9	78.2	79.6	81.2	81.9	82.9	88.3	92.0	93.9	97.3	99.9	125.1
VEHICLE JENOTS	125	75.0	75.2	75.5	76.5	75.7	78.5	81.2	81.7	83.2	85.2	86.0	90.9	94.0	94.0	97.3	99.9	127.8
CONFIS JENOTS	160	78.9	78.2	78.2	78.9	79.9	82.4	84.9	84.2	87.9	88.4	88.7	92.9	96.1	96.1	99.9	99.9	130.4
LCC EVELDALS	200	80.5	81.8	81.2	80.8	81.8	84.0	84.8	85.3	87.8	89.3	89.6	95.0	97.5	101.7	101.7	101.7	131.9
DATE 04-15-75	250	82.8	82.6	83.3	84.3	84.3	85.0	86.0	86.8	89.0	90.8	91.5	96.1	101.0	101.1	104.3	104.3	133.5
PLN DBTF-MODEL 7	315	85.2	84.4	88.0	85.9	86.9	87.0	86.4	89.3	89.3	90.5	92.8	96.5	101.3	104.3	104.3	104.3	134.7
TAME X73330	400	81.9	81.2	87.0	84.1	85.9	85.4	87.0	88.3	90.0	92.3	90.2	98.8	101.4	101.1	101.1	101.1	134.1
CAN 29.9 NO	500	83.5	85.0	85.3	85.5	86.4	87.3	89.2	89.7	92.2	92.9	94.2	102.1	102.5	99.9	99.9	99.9	135.7
(01039, H/M2)	600	84.9	87.1	89.1	88.2	88.7	88.7	89.9	92.4	93.5	96.7	97.4	101.0	99.4	101.2	101.2	101.2	135.9
TAME 59, DEG F	1000	87.5	87.4	89.7	88.6	89.2	89.9	90.9	93.3	93.9	96.6	97.4	100.9	98.8	96.9	96.9	96.9	135.6
(283, DEG K)	1250	86.7	88.2	88.4	88.8	89.3	89.9	91.7	94.2	94.4	96.9	98.8	101.2	98.7	95.7	95.7	95.7	136.0
TAME 53, DEG F	1600	87.2	89.7	88.7	89.7	90.3	91.0	92.3	94.0	94.8	97.0	98.3	101.0	97.9	95.0	95.0	95.0	136.0
(265, DEG K)	2000	83.3	89.3	86.3	90.7	91.0	91.6	91.5	92.8	94.7	96.6	98.4	100.8	98.3	95.8	95.8	95.8	136.0
FACT 6.91 GM/H3	2500	87.6	90.3	90.0	89.7	90.1	90.9	92.0	93.4	95.0	97.3	97.7	100.4	98.2	95.5	95.5	95.5	135.9
(100891 KG/M3)	3150	87.1	89.4	89.8	90.2	90.8	91.6	91.8	93.4	95.1	97.4	97.7	99.9	98.3	95.6	95.6	95.6	135.9
FREQ. SHIFT	4000	86.9	90.2	89.2	89.3	90.6	91.3	91.9	93.2	95.3	97.2	96.3	98.3	96.8	95.0	95.0	95.0	135.3
JET 0	5000	88.3	91.3	90.9	90.9	90.8	91.1	92.3	94.3	96.1	98.5	97.5	98.7	96.8	94.6	94.6	94.6	136.1
DIAMETER RATIO	6300	91.0	94.6	93.0	92.6	92.2	92.0	91.4	93.2	95.6	98.0	97.7	99.0	97.6	95.9	95.9	95.9	136.6
DF/DM 1.00	8000	91.5	95.8	94.1	94.8	94.6	92.2	92.2	92.5	94.6	97.0	97.5	99.0	97.7	97.2	97.2	97.2	137.1
10000	93.8	98.3	97.0	96.4	95.6	94.5	92.1	92.4	94.2	95.2	96.2	96.2	97.6	97.0	97.4	97.4	97.4	137.7
12500	91.6	96.7	97.3	98.3	98.4	95.1	93.2	92.8	93.0	94.3	94.7	96.7	95.6	95.5	95.5	95.5	95.5	138.1
16000	88.5	93.7	94.2	96.6	98.2	96.5	94.1	92.6	92.4	93.0	93.4	94.7	94.0	94.3	94.3	94.3	94.3	137.6
20000	86.2	90.7	91.4	93.2	94.0	93.7	93.8	92.3	91.7	92.0	90.9	92.1	91.4	91.7	91.7	91.7	91.7	135.6
SIS	25000	84.1	89.5	90.3	92.1	91.9	92.1	92.3	92.8	93.0	91.5	89.3	89.5	89.3	89.8	89.8	89.8	135.1
31500	80.9	86.7	87.0	88.5	88.8	89.9	89.7	90.1	90.0	89.7	87.6	87.0	87.3	86.7	86.7	86.7	86.7	133.0
40000	77.7	83.6	84.6	86.4	86.3	85.6	86.0	85.9	86.0	86.3	84.8	83.4	83.4	84.6	84.6	84.6	84.6	130.4
50000	74.6	80.1	82.1	83.4	83.3	83.6	83.3	83.3	83.5	83.3	82.9	82.4	81.2	80.8	81.1	81.1	81.1	128.7
63000	71.5	76.5	78.9	80.3	79.4	79.6	79.9	81.0	80.7	79.8	79.4	77.8	78.5	78.6	78.6	78.6	78.6	127.5
80000	67.1	70.9	74.7	76.5	76.0	76.9	76.7	78.4	76.8	76.5	77.1	76.6	75.6	76.0	76.0	76.0	76.0	127.3
OVERALL MEASURED		131.5	105.2	105.0	105.6	105.9	105.2	105.1	106.0	107.3	109.1	109.6	112.6	112.3	112.4	112.4	112.4	149.7
OVERALL CALCULATED		112.6	115.8	115.1	115.0	115.3	115.7	116.2	117.7	119.8	121.5	121.9	124.7	123.8	122.5	122.5	122.5	
PND8																		

ORIGINAL PAGE IS OF POOR QUALITY

MODEL SOUND PRESSURE LEVELS (59' DEG. F, 70 PERCENT REL. HUM, DAY - JENOTS)
 PROC. DATE - MONTH 4 DAY 29 HR. 19:0
 ANGLES FROM INLET IN DEGREES (AND RADIANS)

REV, ALPHA 12/73	FREQ.	35°	40°	50°	60°	70°	80°	90°	100°	110°	120°	130°	140°	150°	160°	0°	0°	0°	PHU
NO EGA	50	73.3	71.6	71.9	72.2	72.5	73.3	72.4	73.0	73.6	74.6	76.0	80.3	83.8	88.5				118.6
REG. NO. 0.	80	73.6	75.1	75.5	76.4	77.0	77.2	78.1	78.3	79.6	80.6	82.7	88.4	90.8	94.6				121.9
RADIAL 40. FT.	100	76.4	77.2	78.4	78.4	76.7	80.2	81.7	83.1	84.7	85.2	86.9	92.5	97.0	98.4				125.0
(12. M)	125	76.7	79.2	79.2	80.2	80.0	82.5	84.9	85.7	87.2	89.2	90.7	95.6	99.3	101.8				129.5
VEHICLE JENOTS	150	83.9	82.2	82.2	82.9	82.9	85.9	88.1	88.4	91.9	92.7	93.2	97.7	100.9	104.1				132.4
COAFIG JF-354	200	85.8	85.8	83.3	84.3	85.8	86.8	88.3	88.5	90.8	93.5	95.6	99.9	102.9	106.3				134.8
LCC EYEWALL	250	86.5	86.8	86.3	88.2	87.0	88.0	89.2	89.3	96.2	94.5	96.5	101.3	102.7	106.3				138.7
DATE 04-15-75	315	88.3	87.0	90.3	88.8	90.0	90.7	88.8	91.8	92.3	95.5	98.5	102.4	107.2	109.5				140.0
RUN DSTF-MODEL 7	430	85.9	85.2	90.3	87.4	88.4	88.9	90.5	92.1	94.8	97.3	96.5	104.8	108.2	106.6				140.0
TAPE X70340	533	88.3	89.1	89.8	88.0	91.2	90.9	93.2	94.2	96.4	97.7	99.2	107.6	107.8	105.0				140.8
BAR 29.9 HG	630	88.3	90.7	91.4	90.2	91.4	91.5	93.6	94.6	96.9	98.4	101.9	107.3	107.9	106.3				141.3
(01039, N/M2)	800	88.9	90.9	91.4	91.7	92.5	93.0	94.1	96.4	98.5	101.7	103.9	106.0	105.2	105.9				141.1
TAMB 59. DEG F	1000	91.3	91.6	92.7	92.1	93.2	94.2	95.9	97.3	99.6	103.3	104.4	106.6	104.1	102.4				141.4
(280, DEG K)	1250	91.5	92.2	93.1	93.8	94.0	94.9	96.4	98.7	99.7	103.6	106.1	107.7	104.4	101.9				142.2
TMET 53. DEG F	1500	91.3	93.7	92.9	94.5	94.6	95.7	97.8	98.7	101.1	104.2	105.3	107.2	104.6	102.0				142.3
(285, DEG K)	2000	92.8	93.8	92.5	95.4	96.2	96.9	97.0	98.1	101.2	104.1	105.4	108.0	105.8	103.8				142.7
MACT 8.91 GM/M3	2500	92.6	94.6	94.5	94.2	94.6	96.2	97.2	99.2	101.5	105.1	104.7	107.9	105.9	104.0				142.9
(100891 KG/M3)	3150	93.8	95.9	95.0	95.5	95.8	96.3	97.3	99.1	101.6	105.1	105.2	107.9	106.8	105.6				143.3
FREQ. SHIFT	4000	95.9	98.7	97.7	96.6	96.6	97.1	97.9	99.7	102.1	104.9	104.6	107.3	107.1	107.6				143.6
JET 0	5000	99.3	103.0	101.1	98.6	97.8	96.6	98.1	100.6	102.9	105.3	104.2	107.9	107.5	106.6				144.3
DIAMETER RATIO	6300	97.5	103.6	104.0	104.1	102.4	99.5	98.4	100.4	102.3	104.2	104.2	107.5	107.1	105.9				144.9
DF/DN 1.00	8000	95.5	100.3	100.9	103.6	105.3	103.4	99.6	100.3	102.3	104.0	103.7	106.3	106.5	106.0				143.0
	10000	95.3	99.3	100.1	101.1	102.6	103.5	101.8	101.1	102.0	103.3	103.9	105.1	106.3	104.4				144.6
	12500	93.4	98.7	99.8	100.5	100.7	100.2	101.7	101.3	101.2	102.3	102.8	103.9	104.1	102.5				143.7
	16000	91.0	96.5	97.5	99.3	101.0	99.3	99.6	100.9	100.7	100.8	100.5	102.3	102.8	100.9				143.0
	20000	89.5	95.0	95.7	97.3	98.0	97.7	97.8	98.9	99.7	99.5	98.6	100.1	100.2	98.2				141.5
	25000	86.6	92.3	93.6	94.9	95.4	95.4	96.1	96.8	98.1	97.6	96.1	97.5	97.9	96.3				139.9
	31500	83.2	89.3	90.6	92.1	92.4	93.4	93.8	94.7	94.9	95.3	94.7	95.3	96.1	93.5				138.0
	40000	81.0	86.7	88.0	89.8	89.6	89.6	90.1	91.0	91.9	91.9	91.1	91.5	93.2	91.5				135.5
	50000	78.2	83.9	85.1	86.4	86.1	86.7	87.2	88.1	88.6	90.0	89.8	89.2	91.1	89.7				134.0
	63000	74.7	80.3	82.0	83.7	83.0	83.7	83.5	85.0	85.2	87.9	87.9	87.4	89.3	87.7				133.4
	80000	72.2	76.8	78.1	79.3	79.3	80.4	80.2	82.2	81.8	88.1	85.9	86.6	88.1	86.3				134.5
OVERALL MEASURED																			
OVERALL CALCULATED		106.5	110.3	110.4	111.1	111.6	111.0	110.9	112.0	113.7	116.0	116.4	119.5	119.3	118.9				136.1
PNDB		119.9	123.0	122.9	123.1	122.6	121.6	121.9	123.5	125.8	128.5	128.9	132.0	131.7	131.2				

REV, ALPHA 12/73	FREQ.	ANGLES FROM INLET IN DEGREES (AND RADIANS)																	PWL
		30	45	50	60	70	80	90	100	110	120	130	140	150	160	0	0	0	
NO EGA	50	71.6	72.1	73.9	75.7	74.7	76.1	72.9	73.0	74.1	74.8	75.8	79.3	82.8	87.2				118.4
REG. NO.	63	72.3	72.8	75.2	75.7	75.8	76.7	75.5	75.2	76.6	77.1	79.1	82.9	86.2	89.8				120.9
RADIAL	80	73.4	74.4	76.0	77.9	77.8	77.9	77.6	77.6	78.8	79.9	82.0	87.1	89.8	93.1				124.0
(12.4)	100	75.4	76.2	77.9	78.4	78.4	79.9	83.7	82.1	83.7	84.7	85.7	91.3	95.5	96.9				128.2
VEHICLE	125	77.7	78.2	78.7	80.5	79.5	82.2	83.9	84.0	86.2	88.2	89.5	94.4	97.8	100.5				131.2
JENOTS	150	83.4	81.4	80.4	81.9	82.4	84.9	86.6	86.4	90.4	90.7	90.9	95.4	98.6	101.6				132.6
CONFIG	200	83.3	85.3	81.3	83.3	84.3	85.8	86.5	86.8	89.0	91.3	92.6	98.1	101.2	104.3				134.7
LOC	250	85.3	85.8	85.7	85.8	86.0	87.2	86.8	87.8	93.8	93.7	96.7	101.2	105.1	104.4				137.2
EVENTALE	315	87.3	86.3	89.8	87.3	85.3	88.7	87.8	91.0	92.5	94.8	97.8	102.6	107.4	109.5				139.9
DATE	400	84.6	83.2	90.3	85.6	87.1	87.7	89.3	90.8	93.0	96.3	95.7	104.8	108.2	106.8				139.8
DBTF-MODEL	500	86.3	87.3	88.3	87.2	88.2	89.3	91.0	92.2	94.7	96.2	97.2	105.6	106.8	103.8				139.3
TAPE	630	85.8	88.4	88.7	87.7	89.2	89.2	91.6	92.9	95.2	96.4	99.7	105.8	106.4	106.0				139.8
29:9 HG	800	86.7	88.6	88.9	89.2	90.5	90.5	91.9	94.4	96.5	99.5	100.4	104.0	103.2	106.4				139.2
(1039, N/42)	1000	87.8	88.1	90.5	89.4	90.2	91.7	93.4	95.1	96.9	100.1	100.9	103.9	102.1	100.9				138.6
TAMB	1250	88.2	88.7	89.6	90.5	91.2	91.4	94.2	95.7	96.7	100.4	102.1	103.7	101.2	99.4				138.7
(288, DEG K)	1600	88.3	89.5	89.4	90.7	91.6	92.7	94.3	95.7	97.8	99.7	101.3	103.0	100.4	97.5				138.3
TKET	2000	89.3	89.6	89.0	91.7	92.2	92.9	93.5	94.8	97.5	99.9	100.9	102.8	99.8	97.0				138.1
(265, DEG K)	2500	88.8	90.6	90.5	90.0	91.1	91.9	93.5	95.2	97.3	100.1	100.0	101.9	98.9	96.7				137.7
HACT	3150	88.3	90.7	90.3	91.0	91.3	92.1	93.0	94.6	96.8	99.6	99.7	101.9	99.1	96.9				137.5
(100891 KG/M3)	4000	87.4	90.2	89.0	90.3	91.4	92.3	93.6	95.2	97.6	99.4	99.3	100.1	97.8	96.0				137.8
FREQ. SHIFT	5000	89.5	91.3	89.9	93.4	91.3	92.4	93.6	95.6	98.1	99.8	98.5	100.7	98.3	97.4				137.8
JET	6300	92.5	95.1	93.3	92.4	92.9	92.2	92.7	94.9	96.8	99.0	98.2	100.5	99.4	100.1				137.8
DIAMETER RATIO	8000	94.3	97.1	95.4	94.6	94.1	92.9	92.8	95.0	96.3	99.0	98.0	99.5	100.2	100.7				138.4
DF/CM 1.50	10000	97.1	99.0	98.1	97.6	96.8	93.5	92.3	93.9	95.5	97.8	97.5	98.6	99.5	101.1				139.1
	12500	95.7	100.0	100.1	99.5	90.2	95.4	93.7	92.8	94.5	96.3	96.5	97.7	98.3	99.3				139.7
	16000	91.2	95.5	96.5	98.3	99.8	97.3	94.4	93.1	93.7	94.3	94.7	95.8	96.5	97.4				139.0
	20000	89.5	92.3	92.7	94.3	95.8	95.7	94.6	92.9	92.7	93.0	92.4	93.4	94.5	95.0				139.1
SIG	25000	87.1	91.1	91.6	92.7	91.9	91.9	92.6	93.1	91.6	91.6	90.1	90.5	91.9	92.6				139.5
	31500	84.0	88.1	88.9	90.1	90.4	90.4	90.5	92.2	91.1	89.6	88.3	87.8	89.9	90.0				139.4
	40000	81.0	85.0	85.7	87.5	87.1	86.4	86.3	86.7	87.4	86.9	85.6	83.8	86.2	87.2				139.4
	50000	77.7	82.1	83.1	84.4	83.6	83.9	82.9	83.1	83.6	83.8	83.0	81.5	83.6	83.9				139.4
	63000	75.1	78.6	79.7	81.2	80.2	80.0	80.6	81.3	80.5	81.4	79.9	78.6	81.1	80.9				138.3
	80000	73.2	75.3	75.8	77.1	76.6	77.2	76.5	78.2	77.1	80.3	77.1	76.6	77.9	77.6				128.3
OVERALL MEASURED																			152.1
OVERALL CALCULATED		104.0	106.6	106.4	106.6	106.9	106.1	106.4	107.5	109.4	111.5	112.1	115.5	116.2	116.4				
PND8		114.6	116.6	115.8	115.7	116.3	116.8	117.9	119.5	121.7	123.9	124.3	127.1	126.0	125.5				

ORIGINAL PAGE IS OF POOR QUALITY

REV, ALPHA 12/73	FREQ.	ANGLES FROM INLET IN DEGREES (AND RADIANS)															PWL	
		30	40	50	60	70	80	90	100	110	120	130	140	150	160	170		180
NO EGA	50	72.1	74.3	74.6	76.4	76.2	77.3	78.1	77.5	76.4	76.6	75.8	80.0	82.8	89.7			120.2
REG. NO: 0.	60	73.6	75.3	76.2	77.2	77.8	78.4	78.8	78.7	77.6	78.1	79.6	83.4	86.7	91.6			122.2
RADIAL 40. FT.	80	74.4	76.4	76.8	78.4	78.8	79.7	80.3	79.3	80.3	80.6	82.2	87.4	90.3	94.4			124.9
(12.4)	100	76.4	77.7	78.9	79.7	79.4	81.2	83.5	83.6	84.7	85.2	85.9	91.8	96.0	98.2			129.1
VEHICLE JENOTS	125	79.0	79.2	79.5	80.5	80.2	82.7	85.2	84.7	86.7	88.7	90.0	94.9	98.0	101.3			131.7
CONFIG JENOTS	160	83.2	81.9	81.4	82.9	83.7	86.2	88.4	87.9	91.7	91.2	91.7	96.4	99.6	103.6			134.0
LCC EVENDALE	200	84.5	85.3	82.0	84.3	84.5	87.3	87.5	88.5	90.3	92.3	94.6	99.6	102.2	106.8			136.5
DATE 04-15-75	250	85.8	86.3	85.7	87.0	87.3	88.2	89.2	89.0	95.0	94.3	97.7	102.2	105.7	106.4			138.3
RUN DBTF-MODEL 7	315	85.3	87.3	90.3	88.8	89.0	89.7	88.8	93.0	93.0	96.5	99.3	103.6	108.2	110.8			141.0
TAPE X70360	400	86.1	85.2	90.0	86.6	88.4	88.9	90.0	92.1	94.8	97.1	96.7	105.5	108.7	108.1			140.6
BAR 29.9 HG	500	88.8	88.8	89.8	88.2	89.4	90.3	92.0	93.7	96.2	97.7	99.2	107.6	109.0	106.3			141.3
(01339, N/A2)	600	88.4	90.2	90.4	89.4	90.7	90.5	92.6	94.1	96.4	97.9	101.4	107.1	108.6	108.8			141.7
TMS 59 DEG F	800	90.3	90.4	91.7	91.4	91.5	91.7	93.1	95.9	97.8	100.5	102.2	105.5	104.9	107.4			140.6
(280, DEG K)	1000	90.0	91.2	91.4	92.0	93.0	93.4	95.7	97.4	98.7	101.6	102.7	105.4	103.8	102.4			140.1
TNET 53 DEG F	1250	92.3	92.2	91.4	92.2	93.3	94.5	95.5	96.7	98.6	100.7	102.6	104.5	102.1	99.7			140.4
(285, DEG K)	1600	92.1	93.1	91.3	93.7	94.5	94.6	95.3	96.6	98.5	101.1	102.2	104.8	102.1	100.3			139.7
FACT 8.91 GM/M3	2000	91.6	93.3	93.0	92.7	93.1	93.9	95.0	96.4	98.5	101.3	101.5	104.4	101.2	99.7			139.8
(.00291 KG/M3)	2500	91.6	95.2	93.8	93.7	94.1	94.3	95.0	96.1	98.3	101.4	101.7	103.6	101.1	100.1			139.5
FREQ. SHIFT	3150	95.9	99.2	96.7	95.3	95.6	94.8	95.4	96.7	98.6	100.9	100.6	102.3	100.6	101.8			139.6
DIAMETER RATIO	4000	101.0	103.3	100.6	97.9	96.6	95.9	96.3	97.6	99.9	101.8	101.0	102.7	102.0	103.4			141.5
DF/DM 1.00	5000	98.8	103.6	104.4	105.8	105.1	101.7	97.8	97.2	99.1	101.2	100.7	102.2	101.9	104.1			143.1
	6000	96.6	100.5	101.1	103.6	104.8	104.2	100.3	98.1	98.0	99.3	99.0	99.8	101.0	101.9			143.6
	8000	96.2	100.2	99.8	100.3	101.2	101.4	101.2	99.3	98.0	98.3	98.0	98.9	99.6	100.3			143.5
	10000	93.5	98.3	98.5	99.6	100.3	98.3	98.9	99.6	97.7	97.8	96.7	97.8	98.0	98.4			142.2
	12500	91.2	95.8	96.0	98.0	98.3	98.0	96.3	96.9	97.5	96.7	95.1	95.9	96.2	96.5			141.3
316	20000	89.1	93.8	94.6	95.7	96.2	95.9	95.3	95.1	95.3	95.6	93.6	93.5	94.1	93.8			140.0
	25000	86.0	90.6	91.6	93.1	93.4	93.9	93.5	93.5	92.6	92.8	91.5	91.3	91.9	91.0			136.7
	31500	83.3	88.5	89.2	90.5	90.8	89.9	89.3	89.5	89.9	89.2	88.4	87.8	89.0	89.0			136.9
	40000	80.4	85.4	85.6	87.2	87.1	86.9	87.2	87.4	86.6	86.3	86.0	85.7	86.8	87.4			134.4
	50000	77.6	81.8	83.2	84.2	83.2	83.7	84.0	84.3	84.0	84.1	82.7	84.1	85.1	85.7			132.7
	63000	74.4	78.0	79.3	80.6	79.6	80.4	79.7	80.9	80.3	82.1	79.9	84.1	84.9	85.1			131.7
	80000																	132.1
OVERALL MEASURED																		
OVERALL CALCULATED		108.2	111.7	111.0	111.5	111.5	110.5	109.6	110.0	111.2	113.1	113.8	117.1	117.8	118.4			154.6
PND8		121.0	124.1	122.9	122.4	122.0	120.5	120.1	121.2	123.1	125.5	126.0	128.7	127.9	128.6			

72-5

	30.	40.	50.	60.	70.	80.	90.	100.	110.	120.	130.	140.	150.	160.	PHLI	
	(0.52)	(0.70)	(0.87)	(1.05)	(1.22)	(1.40)	(1.57)	(1.75)	(1.92)	(2.09)	(2.27)	(2.44)	(2.62)	(2.79)	(0.0)	
	ANGLES FROM INLET IN DEGREES (AND RADIANS)															
REV. ALPHA 12/73	FREQ. 50	69.3	69.3	69.6	69.7	70.0	70.6	71.4	72.3	73.4	74.3	77.5	80.3	83.8	91.3	119.9
	63	73.3	73.1	73.4	73.5	72.8	73.4	74.0	74.9	75.4	78.6	81.8	84.4	88.0	93.1	122.6
REG. NO.	87	74.6	75.1	75.0	76.1	75.8	76.7	78.3	78.8	80.1	81.6	85.0	88.4	91.8	95.4	125.7
RADIAL 40 FT.	100	77.7	77.9	78.4	77.9	77.2	78.9	81.7	83.3	84.0	85.4	88.7	92.5	96.8	98.7	129.6
(12.4)	125	83.2	79.7	79.7	80.2	79.7	82.5	84.9	85.5	87.2	88.7	91.5	95.1	98.3	100.7	131.7
VEHICLE JENOTS	160	85.9	82.9	83.4	84.2	83.2	86.2	88.6	88.7	90.9	91.4	93.7	96.4	98.3	99.9	136.2
CCAFIS JB-355	230	86.3	86.3	83.8	85.3	85.0	87.3	89.0	89.0	90.8	92.8	96.6	101.3	102.7	103.3	138.4
LCC EVE: DALE	250	88.8	88.3	87.9	87.3	87.4	88.0	89.4	89.8	95.3	95.9	99.5	102.3	105.9	105.1	140.7
DATE J4-21-75	313	89.8	87.8	89.3	89.0	90.3	89.7	88.8	93.0	93.8	96.3	101.3	102.6	108.7	109.3	140.7
RUN DBTF-MODEL 7	400	86.9	84.7	86.1	87.2	88.4	89.0	90.3	92.3	94.8	97.8	100.0	105.0	109.0	106.4	140.3
TYPE X79370	500	88.6	88.6	89.6	88.6	89.7	90.6	92.7	94.5	96.2	97.4	100.5	106.4	107.3	104.8	140.3
BAR 29.9 HG	637	89.3	91.2	90.7	89.7	90.4	91.5	93.3	94.4	97.7	98.9	103.9	106.8	107.9	104.8	141.3
(31039, 4/42)	800	91.0	90.2	91.6	91.5	92.3	92.3	94.4	92.4	98.3	101.3	104.5	105.3	104.5	105.0	140.9
TAMB 59, DEG F	1000	91.3	90.1	93.5	91.6	92.3	93.9	95.7	97.3	99.6	103.3	105.5	104.4	103.1	101.4	141.7
(288, DEG K)	1250	91.7	91.4	91.9	92.8	93.5	94.7	97.4	98.2	99.9	103.6	106.6	106.0	102.4	100.2	141.2
TNET 53, DEG F	1500	93.3	92.5	91.9	92.8	93.6	95.0	97.0	98.9	100.9	103.3	105.4	104.5	102.9	100.2	141.7
(295, DEG K)	2000	92.6	91.9	91.6	94.7	94.7	95.4	96.8	98.9	101.0	104.2	105.4	105.5	103.4	101.8	141.9
HACT 8.91 GN/M3	2500	92.1	92.8	93.0	92.7	93.9	95.2	96.7	99.5	101.6	104.6	105.3	105.2	103.5	102.0	142.1
{.03691 KG/M3}	3150	92.1	93.2	93.1	94.0	94.2	95.2	96.8	99.2	101.4	103.9	105.5	105.2	104.6	103.9	142.1
FREQ. SHIFT	4000	91.3	92.3	92.6	93.2	94.0	95.7	97.2	99.3	101.9	104.0	105.4	105.4	104.6	104.1	142.2
JET 0	5000	91.1	92.4	92.0	93.5	93.9	95.2	96.7	99.4	102.5	103.9	105.3	105.8	106.1	105.5	142.7
DIAMETER RATIO	6300	91.7	93.0	92.7	93.3	94.1	95.6	96.6	99.3	102.2	103.4	105.3	105.1	107.3	105.9	142.8
DF/DM 1.00	8000	92.5	95.8	94.3	95.0	94.5	95.3	96.0	99.0	101.5	102.7	103.9	104.1	106.9	105.2	142.5
	10000	93.1	96.8	96.1	95.1	94.8	95.0	96.1	98.9	100.7	102.0	103.5	103.8	105.3	103.6	142.2
	12500	92.5	97.0	97.4	96.8	96.0	95.0	95.8	98.8	99.8	100.9	102.6	103.0	103.9	101.8	141.8
	15000	90.1	94.6	95.6	96.7	96.6	96.1	96.0	97.0	98.5	99.7	101.1	101.6	102.1	100.0	161.1
	20000	87.1	91.4	92.6	94.6	95.1	94.8	95.0	96.0	97.4	97.9	99.3	99.5	100.6	98.4	139.8
	25000	84.9	89.6	90.3	91.5	92.0	93.7	93.6	94.4	95.6	96.2	96.4	97.3	96.6	96.6	138.3
	31500	82.2	86.3	87.8	89.0	88.3	90.4	91.7	93.1	93.3	94.0	94.7	95.0	96.6	93.3	136.6
	40000	79.9	84.4	85.1	86.4	86.7	87.0	87.7	89.6	91.0	91.1	91.3	91.4	93.6	91.6	134.4
	50000	76.8	81.0	82.7	83.8	82.7	84.7	85.5	87.0	87.7	88.9	88.9	89.6	92.4	89.3	133.1
	63000	74.9	78.1	79.3	81.0	79.5	80.5	82.0	84.1	85.1	87.0	86.8	87.5	90.2	88.0	132.5
	80000	74.8	75.1	75.9	76.9	76.4	77.8	78.3	81.3	80.9	87.7	86.2	86.7	89.2	86.4	134.2
OVERALL MEASURED																134.9
OVERALL CALCULATED		104.1	106.0	106.2	106.7	106.9	107.6	108.9	111.1	113.2	115.2	117.2	118.0	118.9	117.8	
PND8		116.3	117.3	117.3	117.9	118.3	119.5	121.0	123.3	125.6	127.7	129.6	130.1	130.4	129.5	

317

ORIGINAL PAGE IS
OF POOR QUALITY

ANGLES FROM INLET IN DEGREES (AND RADIANIS)

REV. ALPHA 12/73	FREQ.	30.	40.	50.	60.	70.	80.	90.	100.	110.	120.	130.	140.	150.	160.	0.	0.	0.	PWL
		(0.52)	(0.70)	(0.87)	(1.05)	(1.22)	(1.40)	(1.57)	(1.75)	(1.92)	(2.09)	(2.27)	(2.44)	(2.62)	(2.79)	(0.)	(0.)	(0.)	
NO EGA	63	85.6	77.6	77.6	75.9	75.5	74.6	74.6	74.3	75.6	78.1	77.5	81.0	83.1	92.2				121.8
REG. NO.	50	86.6	77.6	78.2	76.7	76.8	75.9	76.3	76.9	77.1	82.1	79.8	83.4	86.5	93.8				123.6
RADIAL (4. FT.)	100	86.4	79.2	80.4	79.2	79.9	79.4	82.0	82.8	83.5	87.7	87.2	91.5	95.3	98.2				125.1
VEHICLE (12. M)	125	90.0	80.0	81.0	80.5	82.0	82.0	84.7	85.0	86.5	93.7	90.2	94.4	96.8	100.5				129.1
CONFIG JENOTS	163	94.9	83.4	83.2	83.2	83.4	86.2	88.4	87.7	90.4	94.4	93.2	97.2	99.1	103.4				131.8
CONFIG JE-055	2.0	94.6	85.5	83.5	84.3	84.5	86.8	87.0	88.3	90.3	93.8	95.8	100.6	102.7	105.3				134.4
LCC EVERDALE	250	97.0	87.8	86.3	86.8	86.8	88.0	87.8	88.8	94.8	94.8	99.3	102.5	105.7	105.4				136.5
DATE 04-18-75	315	98.8	87.0	87.0	88.0	89.3	89.2	88.0	92.0	92.3	96.3	100.5	103.6	107.9	108.8				138.4
PLN DBTF-MODEL 7	400	96.7	85.0	93.6	86.9	88.7	88.5	90.3	92.1	94.3	97.1	98.0	105.3	108.7	106.6				140.4
TARE 470380	500	98.6	88.6	89.8	88.3	90.0	90.1	92.0	94.2	95.7	98.2	102.5	109.4	110.6	107.1				140.5
BAR 29.9 HG	630	99.2	90.0	90.7	89.0	90.7	90.3	92.9	94.2	96.4	98.7	103.5	107.8	109.4	110.3				142.8
101039, N/Y-2)	800	99.7	90.2	91.4	90.6	91.8	92.3	93.9	96.6	98.0	101.8	105.5	106.8	107.2	108.2				142.8
TAPS 59, DEG F	1000	100.6	89.6	91.5	91.1	91.8	93.2	94.9	96.1	98.6	101.8	104.5	105.4	104.1	102.7				142.3
(288, DEG K)	1250	99.5	91.4	91.4	91.3	92.5	93.4	94.9	96.9	98.4	102.6	105.3	105.7	102.9	101.2				140.9
TWET 53, DEG F	1000	99.3	91.2	91.4	92.0	93.1	94.5	95.3	97.2	99.1	102.0	105.1	104.7	101.9	100.5				141.0
(285, DEG K)	2000	101.1	91.3	91.0	92.9	94.0	94.6	95.3	97.1	99.5	102.1	104.4	104.7	102.1	100.5				140.7
HACT 6.91 G/M3	2500	100.8	91.8	92.5	91.7	92.8	93.9	94.9	97.1	99.5	102.3	103.5	104.4	101.9	100.0				140.7
(.00891 KG/M3)	3150	100.5	92.3	92.7	92.4	93.8	94.0	94.9	96.8	98.7	102.0	103.6	104.0	102.7	101.1				140.4
FREQ. SHIFT	4000	99.5	92.1	92.1	92.2	93.5	93.9	94.7	97.3	98.9	102.1	103.6	104.0	102.7	101.1				140.5
JET C	5000	102.6	95.1	95.2	92.7	93.4	94.2	96.4	97.4	99.7	103.1	102.4	103.4	101.7	102.4				140.1
DIAMETER RATIO	6300	104.8	97.9	96.0	95.1	94.4	94.5	94.9	97.2	99.1	101.7	102.4	103.5	103.4	103.9				141.0
DF/CM 1.05	8000	106.7	100.6	99.7	98.0	96.7	95.5	94.9	96.9	98.5	101.8	101.9	102.4	103.3	103.8				141.5
318	10000	104.3	97.5	99.3	99.6	101.8	97.0	94.8	96.6	98.2	100.2	100.7	102.1	103.3	102.6				142.2
	12500	101.0	94.8	96.7	97.7	98.8	98.5	96.6	96.2	96.9	98.7	99.6	100.6	101.8	100.7				142.1
	16000	98.6	92.4	93.6	94.2	96.1	95.9	96.5	95.5	95.5	96.9	97.6	99.1	99.6	98.7				140.9
	20000	95.6	90.1	91.1	92.1	92.9	92.8	92.4	93.5	93.8	94.6	95.2	96.2	97.0	96.3				139.4
	25000	91.8	87.2	88.5	89.3	89.8	89.3	89.2	91.5	90.8	92.1	91.3	92.7	94.3	93.2				137.2
	31500	86.7	82.7	84.8	85.5	85.6	86.9	86.7	87.4	88.0	88.0	87.6	89.0	91.3	89.7				134.6
	40000	82.0	78.4	79.9	81.2	81.3	81.4	81.6	82.2	83.1	83.4	82.3	84.5	87.2	86.4				131.7
	50000	76.9	74.1	75.6	76.2	76.3	77.1	77.1	77.6	78.1	81.2	78.7	82.7	84.8	84.4				127.8
	63000	75.3	73.0	72.6	74.3	73.9	74.4	74.4	76.2	75.2	79.6	76.1	83.8	84.3	84.1				125.3
	80000	74.9	72.7	72.0	73.8	75.0	74.4	74.4	76.9	73.6	81.3	76.1	85.1	84.6	85.1				126.2
OVERALL MEASURED																			129.9
OVERALL CALCULATED		114.4	106.6	107.2	106.9	107.6	107.2	107.6	109.2	110.9	113.7	115.8	117.8	118.5	118.3				134.3
PNS		126.7	118.7	118.6	117.6	118.3	118.5	119.5	121.4	123.3	126.3	127.9	129.3	128.9	128.7				

REV, ALPHA 12/73	FREQ.	ANGLES FROM INLET IN DEGREES (AND RADIAN)																PNDB
		30.	40.	50.	60.	70.	80.	90.	100.	110.	120.	130.	140.	150.	160.	170.	180.	
NO EGA	50	71.6	72.1	73.6	74.7	74.2	74.1	73.6	75.3	76.1	77.6	80.8	82.8	86.6	96.7			124.3
REG. NO.	63	74.8	75.3	75.2	75.7	75.5	75.9	76.3	77.4	79.1	81.6	83.8	86.9	90.5	97.3			126.0
RADIAL 40 FT.	100	76.6	77.4	77.8	78.4	78.5	78.7	80.3	82.3	84.1	88.0	90.9	94.0	99.6				128.9
(12. X)	123	82.2	82.2	82.0	83.2	82.5	85.2	87.7	88.5	89.5	91.7	94.7	97.9	101.0	104.8			130.0
VEHICLE JENOTS	160	88.2	84.9	85.4	85.9	85.4	88.7	90.1	90.4	92.9	93.7	95.4	98.7	101.0	104.8			135.0
CONFIG JENOTS	230	88.2	88.6	85.8	87.8	87.3	89.3	89.8	91.0	92.5	95.3	99.6	103.6	105.7	108.0			139.2
LCC EVENDALE	250	90.8	90.0	89.0	90.3	89.3	90.3	95.3	92.0	98.0	98.3	103.0	106.0	109.4	107.1			141.5
DATE (4-21-75)	315	92.0	93.5	90.5	91.8	92.3	92.5	91.5	95.3	96.0	99.8	105.3	107.4	111.9	112.5			144.2
RLN DBTF-MODEL 7	400	89.7	87.5	88.8	89.9	91.2	92.0	94.1	95.8	98.1	101.8	104.0	109.5	113.5	110.1			144.7
TAPE X7.390	500	91.1	91.3	92.6	91.3	92.2	93.4	95.2	97.7	98.7	100.7	104.5	110.1	112.1	109.6			144.8
CAR 20.9 HC	630	91.1	92.7	93.5	92.5	93.5	93.5	96.4	98.4	100.9	102.7	108.0	111.1	112.9	110.3			145.7
(31.39, 1.742)	800	92.2	92.9	94.9	94.3	94.8	95.3	96.7	99.9	101.6	104.0	108.0	108.5	109.5	112.0			144.9
TANK 59 DEG F	1000	93.8	92.6	95.8	93.9	94.8	96.2	98.2	100.6	102.4	107.1	109.0	107.9	108.6	108.2			144.8
(208, DEG K)	1250	93.8	93.7	94.4	94.8	95.8	97.0	99.7	101.2	103.2	106.4	109.6	109.0	107.7	107.7			145.0
TANK 53 DEG F	1600	93.3	94.5	94.7	95.3	95.9	98.0	100.1	101.8	103.4	106.3	108.4	108.0	107.4	107.4			144.6
(285, DEG K)	2000	95.4	94.4	93.8	96.9	97.0	98.4	99.1	101.9	104.3	106.7	108.7	108.5	107.4	107.3			145.1
FACT 8.91 GN/M3	2500	95.1	95.3	95.3	95.2	96.4	97.7	99.2	102.4	105.1	107.1	108.3	108.7	108.9	108.0			145.3
(.00091 KG/M3)	3150	94.8	95.4	95.3	96.0	95.9	98.1	99.5	102.4	104.8	106.6	108.7	109.1	110.3	108.1			145.7
FREQ. SHIFT	4000	93.9	94.4	94.2	95.8	96.1	97.8	98.9	102.2	104.5	106.4	108.8	109.3	110.3	107.7			145.7
JET 0	5000	95.0	95.0	94.6	94.8	95.5	97.8	99.5	102.8	105.6	107.0	108.7	110.6	109.8	106.8			146.1
DIAMETER RATIO	6300	95.2	96.3	95.2	95.3	95.9	97.7	99.1	102.1	104.3	105.9	108.3	109.7	109.6	105.3			145.5
DF/DM 1.00	8000	96.4	97.5	96.5	96.0	96.5	97.5	98.9	101.6	103.5	104.8	107.1	108.4	108.1	104.6			144.8
10000	95.4	97.4	97.9	98.7	97.9	97.6	97.9	101.0	103.3	103.8	106.3	107.2	106.4	104.0			144.4	
12500	91.7	93.8	94.9	97.6	98.5	97.7	98.1	100.2	102.1	102.9	105.1	105.5	105.2	101.6			143.6	
16000	89.6	91.7	92.2	94.0	95.9	97.2	97.5	99.0	100.3	101.2	103.6	104.2	104.2	100.3			142.5	
20000	87.5	89.8	90.7	92.0	92.8	94.2	95.9	97.4	99.0	99.8	102.0	101.7	101.7	98.0			141.0	
25000	86.3	88.2	89.0	91.1	91.6	92.3	94.0	95.8	97.5	98.1	99.0	99.7	99.8	96.2			139.6	
31500	83.0	85.3	86.8	88.3	88.3	91.1	91.7	94.4	95.3	96.0	97.4	97.8	98.1	93.7			138.2	
40000	81.3	83.2	84.5	86.3	86.1	87.6	88.6	91.2	92.8	92.8	94.3	94.8	94.8	91.7			136.1	
50000	78.9	81.6	82.1	83.9	83.5	85.1	86.4	88.5	90.6	91.7	92.2	93.2	94.5	89.6			135.5	
63000	76.7	78.9	79.8	81.5	80.3	82.1	82.8	85.6	88.8	90.2	90.0	91.0	92.7	88.8			135.1	
80000	75.1	75.5	75.8	77.8	77.3	78.9	79.2	82.7	86.6	90.6	88.1	89.9	91.4	87.3			136.7	
OVERALL MEASURED																		158.0
OVERALL CALCULATED		106.7	107.3	107.5	108.2	108.7	109.8	111.2	113.7	115.9	118.0	120.4	121.7	122.9	121.7			
PNDB		119.2	119.5	119.5	120.1	120.4	122.0	123.4	126.1	128.4	130.4	132.8	134.0	134.8	133.4			

319

ORIGINAL PAGE IS
 OF POOR QUALITY

REV. ALPHA 12/73	FREQ.	ANGLES FROM INLET IN DEGREES (AND RADIANS)															PWL	
		30	40	50	60	70	80	90	100	110	120	130	140	150	160	170		180
NO EGA	50	71.3	71.6	72.9	73.2	73.5	73.3	73.4	74.0	75.1	76.8	79.5	82.0	85.8	95.5			123.2
REG. NO.	53	74.8	74.8	75.4	75.7	75.0	75.7	76.8	76.9	78.9	80.1	83.3	86.1	89.7	96.6			125.3
VEHICLE	100	75.4	76.1	76.8	77.6	77.8	78.7	79.8	80.3	81.8	83.4	87.2	89.9	93.0	98.4			127.8
DATE	135	80.4	79.2	80.4	79.9	79.7	81.9	84.2	85.3	85.7	87.2	87.2	89.9	94.5	98.8			132.1
TAPE	150	82.5	81.5	81.5	82.5	82.2	85.2	87.4	87.5	89.0	91.0	94.0	94.0	97.4	100.5			134.1
BAR	200	88.2	85.2	85.2	85.7	85.4	88.2	90.1	90.4	92.7	93.4	94.9	98.4	101.4	103.4			135.3
FACT	230	88.2	88.0	85.5	87.5	86.5	89.5	90.0	90.3	92.0	94.5	96.8	102.9	105.0	106.0			138.2
VEHICLE	250	90.3	89.8	89.3	89.8	88.8	89.5	89.8	92.0	97.5	97.8	103.0	104.8	106.4	106.9			140.8
DATE	315	91.8	90.0	90.3	91.5	91.3	92.0	91.3	95.0	99.5	99.8	104.0	106.1	111.2	111.3			143.2
TAPE	400	89.2	87.0	88.3	89.9	91.7	91.5	93.1	95.1	97.3	100.6	103.3	108.5	112.5	119.4			143.8
VEHICLE	500	91.1	91.8	91.8	90.5	92.0	92.9	94.7	96.7	98.7	100.0	103.2	109.6	111.1	108.6			143.6
DATE	600	91.3	92.2	93.0	91.5	92.7	93.0	95.6	97.6	99.9	101.7	107.0	109.8	111.9	109.3			144.6
TAPE	800	91.2	91.9	94.4	93.0	94.0	94.0	96.2	99.4	100.8	103.8	107.0	107.0	107.7	110.2			143.5
VEHICLE	1000	93.3	92.1	95.5	93.9	93.8	96.0	97.4	99.6	101.7	105.9	107.5	106.7	106.6	108.4			143.4
DATE	1200	92.5	93.0	93.9	94.6	95.0	96.5	98.9	100.7	102.2	105.9	108.6	107.8	105.7	105.2			143.9
TAPE	1600	92.1	94.0	94.2	94.8	95.4	96.8	99.3	101.0	102.6	105.8	107.1	106.0	105.7	104.8			143.3
VEHICLE	2000	94.4	93.9	93.3	96.4	96.8	97.6	99.1	100.9	103.8	105.9	107.5	107.8	106.9	106.6			144.1
DATE	2500	93.8	94.3	94.8	94.5	95.4	97.0	98.7	101.7	104.1	106.1	107.0	107.2	107.2	106.5			144.0
TAPE	3150	94.1	94.9	94.5	95.2	96.1	97.3	99.0	101.1	103.8	105.9	107.2	107.9	108.3	107.1			144.4
VEHICLE	4000	92.9	93.7	93.7	94.8	95.4	97.3	98.6	101.4	104.3	105.6	107.0	107.5	108.3	106.5			144.4
DATE	5000	93.2	93.3	93.4	94.6	95.0	96.6	98.5	102.0	104.8	105.5	107.2	108.4	108.8	105.8			144.7
TAPE	6300	92.5	93.3	93.5	94.3	95.9	96.9	98.4	101.3	104.0	105.1	106.6	108.4	108.6	104.8			144.5
VEHICLE	8000	92.2	93.0	93.0	93.7	95.0	96.5	97.7	100.9	103.5	104.3	106.1	107.4	107.3	104.3			144.0
DATE	10000	91.4	93.1	93.1	94.5	94.4	95.6	97.4	101.0	102.6	103.3	104.8	105.9	105.6	103.2			143.2
TAPE	12500	91.7	92.1	92.9	93.9	95.0	95.2	96.6	99.4	101.6	102.2	103.8	104.8	104.2	101.1			142.4
VEHICLE	16000	89.2	90.9	90.9	92.7	93.9	94.9	96.0	98.3	100.1	101.0	102.4	102.9	103.2	99.5			141.5
DATE	20000	86.0	89.0	89.5	91.3	91.8	93.2	94.4	97.1	99.0	101.0	101.6	101.2	100.7	98.0			140.3
TAPE	25000	84.3	87.5	87.7	89.8	91.1	92.1	93.5	95.3	97.0	97.6	98.3	99.4	99.5	96.2			139.0
VEHICLE	31500	82.2	85.3	86.1	87.5	87.6	89.9	91.5	94.2	94.6	94.0	96.2	97.0	97.3	94.0			137.6
DATE	40000	81.3	83.2	84.0	85.5	85.6	86.6	88.6	91.0	92.6	93.4	93.3	94.0	95.2	92.2			135.8
TAPE	50000	77.9	80.3	81.8	83.1	82.3	84.1	85.9	88.5	90.3	91.5	91.5	92.4	93.3	90.4			134.7
VEHICLE	63000	75.7	78.1	78.8	80.5	79.3	80.8	82.8	85.9	88.8	89.7	89.3	90.5	91.9	88.8			134.7
DATE	80000	74.6	75.0	75.0	76.8	76.3	77.9	79.2	82.4	86.8	90.1	87.4	89.6	90.4	87.1			136.2
OVERALL MEASURED		105.3	105.8	106.3	107.0	107.6	108.9	110.5	113.0	115.3	117.2	119.2	120.4	121.6	120.4			156.9
OVERALL CALCULATED		118.0	118.5	118.6	119.2	119.9	121.2	122.9	125.3	127.8	129.6	131.5	132.5	133.3	132.2			

MODEL SOUND PRESSURE LEVEL'S (59' DEG. F, 70 PERCENT REL. HUM, DAY - JENOTS)

REV. ALPHA 12/73	FREQ.	ANGLES FROM INLET IN DEGREES, (AND RADIANS)																	PWL
		30	40	50	60	70	80	90	100	110	120	130	140	150	160	0	0	0	
NO EGA.	53	75.1	75.3	75.9	76.7	77.2	75.6	74.6	75.5	77.1	81.8	84.3	84.5	88.1	99.7				127.0
ADG. NO. C.	37	79.4	80.1	80.3	80.4	80.0	80.2	81.3	81.8	83.8	87.4	89.5	92.9	95.3	102.4				128.7
RADIAL 40 FT.	100	81.4	81.7	82.9	83.4	83.7	83.7	85.7	86.8	88.5	91.2	92.7	97.0	101.8	105.4				131.1
(12. ft)	123	85.2	84.2	84.0	84.2	83.7	86.5	89.2	89.5	91.0	94.2	95.7	99.6	102.8	107.0				135.1
VEHICLE JENOTS	169	90.7	87.4	86.9	87.7	87.2	89.9	91.4	91.7	94.7	96.7	97.4	100.9	104.4	107.6				136.9
CCAFIG JENOTS	200	89.8	90.0	87.5	89.0	89.3	91.5	91.5	92.8	94.3	98.0	101.6	105.6	108.0	110.0				138.3
LCC EVE. DATE	257	91.8	91.5	91.0	91.8	91.0	92.3	92.5	94.3	99.8	100.8	106.3	108.0	111.9	110.1				141.3
DATE J4-21-75	315	94.3	92.3	92.8	94.0	93.5	94.7	93.5	97.8	98.3	103.0	108.3	109.4	113.9	114.3				144.1
RUN DBTF-MODEL 7	450	91.9	89.2	90.8	92.4	93.4	94.2	96.3	98.6	100.1	104.6	107.3	112.0	116.0	112.6				146.3
TAPE X7J410	500	94.3	91.3	94.8	93.9	94.7	95.6	97.7	99.7	101.7	104.0	107.5	113.9	116.3	113.1				147.3
34R 29.9 HG	630	95.8	96.0	96.2	95.0	95.7	96.0	98.9	100.6	103.9	106.2	111.2	115.1	117.4	114.3				148.1
(0.039, N/M2)	800	95.5	95.9	98.4	96.8	97.3	97.8	99.2	102.6	104.3	107.5	111.0	112.0	114.5	116.7				149.6
TAMB 59, DEG F	1000	97.1	95.6	98.5	96.9	97.5	99.2	100.7	103.1	105.2	109.9	111.5	111.2	114.9	114.7				148.7
(280, DEG K)	1250	97.3	97.0	97.4	97.6	98.0	99.7	101.9	103.5	105.5	109.4	111.9	112.5	114.0	113.0				148.7
TWET 53, DEG F	1600	97.3	97.8	97.4	98.0	98.6	100.3	102.1	104.3	106.6	109.3	111.1	111.7	113.7	112.8				148.5
(285, DEG K)	2000	98.4	97.6	96.8	99.2	99.8	100.4	101.8	104.1	106.8	109.4	111.2	112.8	114.9	113.1				148.3
HACT 8.91 GM/M3	2500	98.6	97.8	98.3	97.7	98.4	100.2	101.5	104.4	107.6	110.1	111.0	113.0	114.7	112.3				148.9
(0.0891 KG/M3)	3150	98.3	98.2	98.0	98.5	99.1	100.1	101.5	104.4	106.8	109.6	111.4	114.1	114.3	111.4				149.1
FREQ. SHIFT	4000	96.4	96.7	97.0	97.8	98.6	100.1	101.6	104.4	106.8	109.4	111.3	113.0	111.1	108.7				148.2
JET	5000	98.5	98.5	97.6	98.1	97.8	99.6	102.0	104.8	107.3	109.5	111.7	113.4	110.8	107.8				148.4
DIAMETER RATIO	6300	100.2	102.5	100.2	99.1	98.9	99.7	101.1	104.1	106.8	108.4	111.3	111.7	109.8	106.8				148.8
DF/DM 1.00	8000	98.2	101.5	102.7	102.5	101.2	100.8	100.7	103.6	106.0	107.3	109.9	110.2	109.1	105.8				147.8
10000	95.7	97.6	99.4	102.7	103.2	101.6	100.9	100.2	103.2	105.3	106.6	108.6	108.9	107.6	105.0				146.7
12500	94.0	96.1	96.7	98.6	101.0	102.2	101.1	102.4	103.8	105.2	107.8	107.0	106.6	103.1					145.7
16000	91.9	94.7	95.4	96.5	99.2	100.2	100.5	101.8	102.6	103.5	105.4	105.9	104.7	101.8					144.6
20000	89.5	92.3	93.7	96.0	96.5	97.0	98.9	99.9	101.3	102.0	103.9	103.9	103.0	99.5					143.3
30000	88.0	91.0	92.5	94.3	94.8	96.1	97.0	98.8	99.3	100.3	101.5	102.2	101.8	98.0					142.0
30000	85.7	88.8	90.1	91.0	91.6	94.4	95.0	97.2	97.1	98.3	99.7	100.5	99.8	96.5					140.7
40000	83.5	87.0	88.2	89.8	89.8	91.1	92.1	94.0	94.8	98.4	97.1	98.0	98.0	94.7					138.0
50000	81.4	84.3	85.3	87.1	86.5	88.6	89.1	91.5	92.6	93.7	95.5	96.4	97.0	93.4					138.1
63000	78.7	81.6	82.8	84.3	83.6	85.8	86.1	88.9	90.8	92.2	92.5	95.7	96.4	94.3					138.1
80000	76.9	77.7	78.8	80.6	79.6	81.9	82.7	85.4	88.1	92.3	90.1	96.4	97.1	95.3					140.0
OVERALL MEASURED		109.7	110.4	110.8	111.3	111.8	112.6	113.6	116.0	118.2	120.8	123.2	124.9	126.5	125.8				161.1
OVERALL CALCULATED		122.4	123.3	122.6	122.9	123.3	124.2	125.6	128.2	130.6	133.3	135.5	137.7	138.5	136.5				

ORIGINAL PAGE IS OF POOR QUALITY

MODEL SOUND PRESSURE LEVELS (59' DEG. F, 70 PERCENT REL. HUM. DAY - JENOTS)

REV. ALPHA 12/73	FREQ.	ANGLES FROM INLET IN DEGREES (AND RADIANS)																PWL
		30	40	50	60	70	80	90	100	110	120	130	140	150	160	170	180	
NO EGA	50	62.3	53.3	64.1	64.7	63.7	63.8	64.1	64.8	66.4	65.8	66.0	68.3	70.6	73.5			107.2
REG. NO. 01	60	62.8	64.8	65.2	65.5	65.3	65.4	66.5	66.9	68.4	68.3	69.1	71.9	74.2	76.8			109.9
RADIAL 40 FT. (12.8)	100	64.9	66.4	67.5	66.9	67.0	67.2	68.1	69.1	70.8	71.1	72.0	75.6	77.8	80.6			112.8
VEHICLE JENOTS	125	67.7	68.9	68.5	69.7	69.5	72.5	75.2	75.2	77.0	78.7	79.2	83.6	86.3	88.5			120.2
CONFIG JC-54	160	71.4	73.9	71.4	72.4	73.2	76.2	78.1	77.7	81.7	81.7	81.2	85.2	87.6	89.4			122.1
LCC EVENDALE	200	74.7	76.3	73.8	74.3	75.3	77.3	78.3	78.8	81.3	81.3	81.3	85.5	88.0	89.5			124.5
DATE 04-15-75	250	77.5	77.8	78.3	78.8	78.8	78.8	80.0	80.8	87.0	87.0	87.3	88.6	89.6	91.2			127.2
RUN DETF-MOSEL 7	315	79.0	78.3	81.8	79.8	80.8	81.7	80.3	84.0	85.4	85.8	87.3	89.6	94.2	99.4			129.0
TAPE X70420	400	74.9	74.9	84.0	77.9	78.6	79.4	80.3	81.8	83.8	85.1	82.5	90.3	93.4	94.3			126.8
SAR 29.9 HG	500	76.5	78.3	80.3	78.0	78.7	80.6	81.9	82.4	84.7	85.2	85.4	93.3	94.5	95.3			128.1
(01039) (11/12)	600	77.6	77.7	80.7	79.7	80.9	81.0	83.3	83.3	85.7	84.7	85.9	91.6	93.6	96.3			128.0
TAMB 59 DEG F	800	75.4	80.1	80.9	80.7	81.2	81.2	81.9	84.6	86.3	88.2	88.4	91.7	92.4	95.9			126.3
(28R) DEG K	1000	79.5	79.9	82.5	81.1	81.5	83.2	83.6	85.3	86.1	87.3	87.9	90.9	91.6	92.4			127.5
THET 53 DEG F	1250	79.7	80.7	81.9	81.3	81.7	82.9	84.2	85.7	85.9	87.4	88.3	91.5	90.7	89.4			127.2
(285) DEG K	1600	79.3	80.7	80.4	80.7	81.1	83.0	83.5	84.2	85.3	86.0	87.6	90.7	88.1	86.7			126.2
HACT 8.91 GM/M3	2000	79.0	80.3	79.5	81.9	82.0	82.4	82.3	83.6	84.5	85.4	86.7	89.6	86.3	84.8			125.4
(00891) KG/M3	2500	78.6	80.1	80.3	79.7	80.1	81.2	82.0	82.9	84.0	84.8	85.2	88.2	83.9	81.7			124.2
FREQ. SHIFT	3150	76.8	77.4	79.3	79.7	79.8	80.6	81.0	82.1	82.8	84.4	84.4	85.6	83.3	80.6			123.3
JET 0	4000	74.9	78.4	78.2	78.8	79.4	79.8	80.1	81.2	82.8	83.7	82.8	83.8	80.1	77.8			122.3
DIAMETER RATIO	5000	74.8	77.3	78.1	77.9	77.8	79.4	80.1	80.9	82.9	83.0	82.5	82.9	79.0	76.9			121.8
DF/DH 1.00	6300	74.3	77.1	78.3	78.4	77.9	78.7	78.7	80.2	81.1	82.0	81.4	81.0	78.6	75.6			121.0
	8000	73.8	77.1	77.1	77.1	78.1	78.2	78.2	79.0	80.3	81.2	80.7	80.0	77.2	74.7			120.5
	10000	72.6	76.0	77.0	77.1	76.6	76.5	76.8	78.1	79.2	80.2	80.0	78.8	75.5	73.1			119.8
	12500	71.9	75.4	75.3	75.5	75.6	75.4	75.9	76.8	76.2	78.6	78.2	77.4	74.1	71.5			118.8
	16000	69.0	73.0	73.2	73.3	74.0	73.8	74.1	75.1	77.1	77.8	76.2	75.0	72.0	69.1			117.6
322	20000	65.9	71.2	70.7	71.0	71.2	70.9	72.1	72.8	74.7	75.5	74.9	72.6	69.9	66.7			115.7
	25000	64.1	68.3	68.0	68.6	67.9	68.4	69.5	70.5	72.3	73.8	72.1	70.0	67.6	64.3			113.8
	31500	61.7	65.2	65.0	65.5	64.8	65.6	66.7	68.1	69.5	71.0	69.9	66.7	65.0	61.9			111.6
	40000	59.4	62.1	62.0	62.9	61.8	62.8	64.2	66.3	66.8	68.2	65.8	62.9	62.1	60.1			108.8
	50000	55.4	59.8	60.1	60.4	59.0	58.8	59.1	61.0	63.5	64.9	64.8	62.7	61.0	60.6			107.6
	63000	54.0	57.0	56.9	57.3	56.9	55.9	55.9	60.0	61.9	65.6	63.4	63.1	61.8	62.8			108.7
	80000	54.6	54.9	53.5	54.5	56.5	54.6	54.4	58.9	62.3	67.8	64.1	65.1	63.3	64.8			112.6
OVERALL MEASURED																		
OVERALL CALCULATED		93.2	91.7	93.0	92.3	92.7	93.6	94.3	95.6	97.2	98.0	98.4	102.0	103.1	105.4			138.8
PND8		102.2	104.0	104.5	104.5	104.7	105.6	106.2	107.3	108.7	109.6	109.8	112.6	111.4	112.8			

73.1

REV, ALPHA 12/73	FREQ.	ANGLES FROM INLET IN DEGREES (AND RADIAN'S)																PWL
		30	40	50	60	70	80	90	100	110	120	130	140	150	160	170	180	
NO EGA	50	74.3	66.1	68.1	69.4	66.7	65.1	66.1	65.8	67.9	67.6	67.8	70.5	73.3	66.0			109.6
RDG. NO. 0	63	74.6	66.6	68.2	70.0	67.3	66.7	67.5	68.2	70.1	69.8	70.6	73.9	76.5	69.3			111.5
RADIAL 40 FT.	80	75.1	66.9	69.0	70.6	68.8	68.4	69.8	70.3	71.8	72.6	73.5	77.6	80.5	73.1			114.1
(12. M)	125	79.0	69.5	70.0	72.0	70.5	73.2	76.2	76.2	78.0	79.5	80.5	84.9	88.0	80.0			117.9
VEHICLE JENOTS	160	82.9	72.4	72.4	73.7	74.4	76.9	79.1	78.7	82.4	82.2	81.9	86.2	89.4	81.4			122.6
CONFIG JEN354	200	84.8	76.8	75.2	75.5	76.3	78.0	79.3	79.5	81.8	83.3	82.6	88.1	91.7	84.7			124.2
LCC EVENDALE	250	87.5	78.3	76.3	78.8	78.8	80.0	81.6	82.0	87.3	85.8	86.3	89.3	94.0	87.2			126.7
DATE C4-15-75	315	89.0	78.8	82.9	79.8	81.3	82.0	80.8	84.8	85.3	86.3	87.3	90.5	94.4	90.4			127.6
RLN DBTF=MODEL 7	400	85.4	74.7	84.8	77.9	78.9	79.7	81.0	82.1	84.0	85.3	83.2	91.5	94.7	84.8			126.8
TYPE X70430	500	86.8	78.5	80.8	78.2	79.7	80.6	82.7	82.9	84.9	85.7	85.7	93.6	94.5	85.3			127.6
BAR 29.9 HG	630	87.6	79.9	81.2	79.7	81.4	81.2	83.6	84.4	85.9	85.4	86.4	92.1	93.9	86.3			127.4
(01039, N/M2)	800	88.4	80.6	80.9	81.0	81.5	81.5	82.6	85.1	87.0	88.5	88.9	92.5	92.7	85.9			128.0
TAMB 59, DEG F	1000	89.8	80.1	82.7	81.4	81.7	82.9	84.6	86.1	86.6	88.3	87.9	91.9	92.3	82.9			127.9
(288, DEG K)	1250	90.2	80.7	81.4	81.3	81.7	82.7	84.7	86.7	86.2	87.9	89.3	91.5	91.2	78.4			127.8
THET 53, DEG F	1600	88.8	81.2	81.4	81.2	81.8	83.5	84.3	85.7	85.8	86.7	88.1	91.5	88.4	77.0			127.0
(265, DEG K)	2000	90.6	81.1	80.5	82.2	82.5	83.4	83.5	84.3	85.2	86.4	87.2	90.3	87.3	75.5			126.6
HACT 8.91 GM/M3	2500	89.1	81.8	81.3	80.0	80.6	82.2	82.7	83.9	85.0	86.3	86.5	88.9	85.9	73.5			125.7
(100891 KG/M3)	3150	87.6	79.7	79.5	80.2	80.3	81.3	81.8	83.1	83.8	85.4	84.9	87.4	85.1	72.9			124.7
FREQ. SHIFT	4000	85.7	79.2	78.7	79.1	79.1	80.1	80.6	83.0	83.3	83.9	84.1	85.3	82.3	71.0			123.5
JET 0	5000	85.0	78.5	78.6	77.9	78.6	79.6	80.3	81.8	83.6	84.0	83.8	84.2	80.5	69.4			122.9
DIAMETER RATIO	6300	84.0	77.6	77.5	78.1	78.7	79.0	78.9	80.7	81.3	83.0	81.9	82.2	79.1	66.9			121.9
DF/DK 1.00	8000	83.5	77.1	77.4	77.1	77.8	79.3	79.2	80.3	80.6	81.7	80.7	81.2	78.0	65.7			121.5
	10000	82.6	75.0	76.8	76.9	77.1	77.0	77.6	78.6	79.7	80.2	79.2	79.1	76.0	64.4			120.4
	12500	81.4	74.9	75.0	75.2	75.6	75.9	76.4	77.5	78.5	79.1	78.0	77.7	74.9	63.3			119.5
	16000	79.0	72.5	73.0	72.8	74.2	74.3	74.6	76.1	77.4	77.8	75.9	75.5	72.7	60.8			118.2
	20000	77.2	70.2	70.7	70.5	71.7	71.4	72.6	74.1	75.5	75.7	74.6	72.9	71.2	58.5			116.6
323	25000	82.6	76.3	74.5	73.6	72.9	72.9	73.5	75.8	78.5	80.8	75.8	71.7	71.1	59.5			120.2
	31500	73.4	71.5	71.0	69.2	68.8	68.9	69.4	71.4	73.5	75.0	72.6	69.7	68.3	56.7			116.7
	40000	70.4	64.4	64.9	64.7	64.0	63.3	63.8	65.4	67.8	67.8	66.0	64.4	63.6	51.9			110.1
	50000	66.6	59.8	60.6	60.6	60.3	59.8	61.1	62.3	64.3	66.2	63.9	63.2	61.5	51.9			108.8
	63000	63.3	56.5	57.1	58.1	57.6	56.4	57.1	59.2	62.9	66.6	63.1	63.1	62.0	53.3			109.8
	80000	61.6	54.4	53.7	55.5	56.3	55.1	54.9	57.6	62.5	68.8	63.8	64.8	63.1	55.0			112.8
OVERALL MEASURED																		
OVERALL CALCULATED		103.5	92.2	93.5	92.6	93.1	94.0	95.0	96.5	97.8	98.7	98.9	102.7	103.9	96.2			139.0
PND8		112.6	104.4	105.2	104.9	105.2	106.2	106.9	108.3	109.4	110.5	110.5	113.5	112.5	103.8			

ORIGINAL PAGE IS OF POOR QUALITY

REV: ALPHA 12/73	FREQ.	ANGLES FROM INLET IN DEGREES (AND RADIANs)																PWL
		30	40	50	60	70	80	90	100	110	120	130	140	150	160	170	180	
NO EGA	53	72.5	74.8	74.9	75.2	73.0	74.1	73.9	73.8	73.4	72.3	83.5	84.3	86.6	82.2			119.9
REG. AC.	90	72.4	74.4	76.6	74.1	74.8	74.2	75.1	74.8	75.3	75.9	87.0	88.9	91.0	84.1			123.4
RADIAL 42. FF	130	72.7	72.9	74.9	75.2	74.2	75.2	76.2	78.1	78.2	78.7	89.4	93.0	95.8	87.7			127.1
(12. M)	125	73.5	74.2	75.5	75.2	74.2	77.2	78.9	79.0	79.5	82.0	92.7	95.4	98.0	91.3			129.6
VEHICLE JENOTS	150	77.4	76.9	76.7	77.7	76.7	77.7	79.7	81.4	81.4	83.9	93.7	97.2	98.6	93.1			131.2
CCAFIG JET 55	200	76.8	78.0	77.6	77.5	77.3	79.5	80.0	80.5	81.3	84.5	96.6	100.6	102.5	95.5			134.1
LCC EVEN DALE	250	79.3	80.8	79.5	79.0	79.5	79.8	80.3	82.0	86.5	87.5	101.3	102.0	106.4	97.6			137.5
DATE 24-18-75	315	85.5	79.8	80.0	80.8	80.8	82.2	80.5	85.0	86.5	89.5	99.0	104.1	108.7	102.8			139.5
RUN LGTF-MODEL 7	400	77.9	76.5	85.1	78.4	79.4	80.2	81.1	83.8	85.8	89.1	99.0	105.5	109.0	99.1			139.3
TAPE X70440	530	78.6	79.6	80.6	78.5	79.7	80.9	82.7	84.0	85.7	87.4	101.0	107.4	109.6	98.1			140.4
BAR 29.9 HG	630	79.8	79.7	80.7	79.2	81.2	80.5	82.6	83.9	86.2	87.0	101.0	106.1	108.2	102.3			139.5
(31039, N/42)	850	79.5	80.4	80.6	81.0	81.5	81.5	83.2	86.4	87.5	95.3	103.3	105.8	106.2	98.0			139.0
IAMB 59, DEG F	1000	80.6	79.9	81.6	80.9	81.3	81.9	84.4	85.3	86.9	89.6	104.1	104.9	103.8	93.7			137.4
(208, DEG K)	1250	79.2	81.2	81.6	80.8	81.5	82.2	84.2	85.4	86.7	89.4	102.1	105.0	102.7	90.4			137.3
TMET 53, DEG F	1630	78.8	80.0	80.7	81.0	82.3	83.8	84.3	85.5	86.6	89.0	101.8	103.0	100.1	87.2			135.8
(205, DEG K)	2000	79.6	79.6	79.3	81.4	82.2	82.6	83.5	84.8	86.5	87.9	101.2	101.7	98.8	86.3			134.9
HACT 8.91 GN/M3	2500	70.5	79.3	80.2	79.4	79.8	81.1	82.4	84.1	85.8	87.3	99.0	100.4	96.4	83.5			133.2
(6.03891 KG/M3)	3150	77.0	78.6	79.4	79.4	80.0	80.8	81.7	83.1	84.0	86.3	98.1	99.0	94.7	81.6			132.1
FREQ. SHIFT	4000	76.0	77.3	78.4	78.4	79.3	79.9	80.7	82.3	83.7	85.3	96.4	96.2	91.4	78.6			130.0
JET	5000	75.4	77.1	77.2	77.5	78.4	79.3	80.2	82.1	83.7	84.6	95.3	94.7	89.4	76.7			128.8
DIAMETER RATIO	6300	74.5	77.1	77.0	77.1	77.7	78.5	78.9	80.9	82.1	83.2	93.9	92.7	87.4	74.4			127.4
DF/DH 1.00	8300	73.2	75.7	76.0	76.2	77.2	77.8	78.2	79.6	80.5	82.1	92.1	90.9	85.8	73.1			126.0
10000	71.8	75.0	76.0	75.8	76.3	76.2	76.8	78.1	79.5	80.2	90.5	88.6	84.8	72.1			124.6	
12500	70.3	73.3	73.9	73.9	75.1	74.5	75.1	76.7	77.4	78.7	88.4	86.6	82.3	69.9			123.0	
16000	67.6	70.6	71.1	71.2	72.6	72.6	73.2	74.2	76.0	75.9	85.6	83.9	79.3	67.8			120.8	
20000	63.8	67.4	68.3	68.6	68.9	69.3	70.4	71.2	73.3	73.3	83.0	80.5	76.5	65.1			118.3	
25000	60.8	64.5	65.0	65.1	66.1	66.5	68.0	69.3	71.2	71.2	81.5	78.5	74.0	65.5			114.9	
324	57.2	61.7	60.8	61.0	61.3	62.1	62.7	64.4	64.8	66.2	74.4	73.2	70.8	65.2			111.7	
40000	56.5	58.4	57.9	58.2	58.8	58.4	59.3	60.5	60.8	63.4	71.1	70.5	68.7	67.2			109.7	
50000	57.9	59.9	58.1	58.7	59.6	59.4	59.4	61.3	59.6	65.5	72.0	72.7	70.5	69.9			112.2	
63000	63.5	61.5	63.9	61.8	62.1	61.4	61.6	64.2	61.9	68.3	74.1	74.6	72.8	73.3			116.4	
80000	62.1	62.5	61.3	62.3	64.0	63.9	64.4	66.4	63.5	70.8	75.9	76.6	74.6	74.6			121.2	
OVERALL MEASURED																		149.1
OVERALL CALCULATED		91.4	92.1	93.3	92.6	93.1	94.0	95.1	96.6	98.3	100.3	112.6	115.6	117.0	108.8			
PND8		103.0	104.0	104.9	104.6	105.2	106.0	107.0	108.5	110.1	111.8	123.7	125.4	124.7	115.7			

73:

		MODEL SOUND PRESSURE LEVELS (59, DEG; F, 70 PERCENT REL. HUM, DAY																	PROC. DATE - MONTH 4 DAY 29 HR: 20:0		
		ANGLES FROM INLET IN DEGREES (AND RADIANS)																	JENOTS)		
		30	40	50	60	70	80	90	100	110	120	130	140	150	160	0	0	0	PHL		
REV. ALPHA 1275	FREQ.	(0.52)	(0.70)	(0.87)	(1.05)	(1.22)	(1.40)	(1.57)	(1.75)	(1.92)	(2.09)	(2.27)	(2.44)	(2.62)	(2.79)	(0)	(0)	(0)			
	50	61.6	61.6	62.1	62.4	63.0	63.8	64.6	65.4	66.1	66.9	67.5	68.0	68.6	69.1	69.5	69.9	70.4	111.2		
NO EGA	63	63.3	63.3	63.9	64.2	65.3	66.4	67.0	67.9	68.8	69.8	70.6	71.4	72.0	72.6	73.0	73.4	73.8	113.8		
RDG. NO.	80	65.1	65.9	66.3	66.6	67.3	67.7	68.3	69.1	69.9	70.8	71.4	72.0	72.6	73.0	73.4	73.8	74.2	116.3		
RADIAL 40 FT	100	67.9	67.7	69.4	68.9	68.9	70.2	73.2	73.6	75.5	76.9	77.9	78.9	79.7	80.8	81.8	82.0	82.0	120.5		
(12.4)	125	71.5	71.0	71.1	71.0	71.0	74.2	76.9	78.5	79.0	81.0	83.0	83.6	84.6	85.6	86.6	87.0	87.0	123.5		
VEHICLE JENOTS	160	76.9	74.9	74.2	74.2	74.2	78.2	79.9	78.9	82.4	83.7	85.7	86.6	88.4	89.4	91.4	91.4	91.4	125.5		
CONFIG JE-055	200	77.8	78.3	74.3	77.3	77.3	79.8	80.5	80.8	82.8	86.7	89.3	92.6	95.2	97.5	97.5	97.5	97.5	128.8		
LOC EVENDALE	250	81.3	80.3	79.8	81.0	80.8	82.0	83.0	83.8	84.8	85.8	86.8	87.8	88.8	89.8	90.8	91.8	92.8	133.1		
DATE 04-16-75	315	83.8	81.5	82.0	82.0	82.8	84.2	85.5	86.5	87.8	88.8	89.8	90.8	91.8	92.8	93.8	94.8	95.8	135.6		
RUN DBT-MODEL 7	400	82.6	80.4	82.0	81.9	82.4	82.7	83.5	84.2	85.0	85.7	86.5	87.3	88.1	88.9	89.7	90.5	91.3	135.6		
TAPE X70450	500	84.3	83.0	82.9	80.5	81.9	83.3	85.7	86.2	88.9	88.9	91.7	94.2	94.2	96.1	97.0	97.9	98.8	135.9		
BAR 29.9 HG	630	84.6	82.7	83.4	81.7	83.2	83.0	85.8	86.6	89.9	90.7	95.7	95.7	98.1	101.1	102.1	104.0	104.0	135.7		
(01039; N/M2)	800	83.7	82.9	83.4	82.7	84.2	84.2	85.9	87.1	89.0	93.5	96.4	100.0	100.2	102.7	102.7	104.0	104.0	134.9		
TAMB 59 DEG F	1000	83.8	82.1	83.7	83.1	84.2	85.4	87.1	88.6	90.4	93.8	95.7	97.9	98.1	99.7	99.7	99.7	99.7	133.4		
(288; DEG K)	1250	82.7	82.7	83.4	82.8	84.2	85.4	87.4	87.4	90.2	93.6	97.1	99.0	97.1	99.0	97.1	94.1	94.1	133.4		
TWET 53 DEG F	1600	81.0	83.0	82.9	83.0	83.8	85.7	87.0	87.0	90.1	92.5	95.8	96.2	94.1	91.7	91.7	91.7	91.7	131.6		
(285; DEG K)	2000	82.6	81.8	81.0	83.4	84.2	85.1	86.0	87.1	89.5	92.4	94.9	96.0	91.6	89.5	89.5	89.5	89.5	130.9		
HACT 8.91 GM/M3	2500	80.8	81.6	82.3	81.5	82.1	83.7	85.5	86.1	88.8	90.6	92.5	93.4	89.7	87.0	87.0	87.0	87.0	129.1		
(.0089; KG/M3)	3150	79.8	81.2	80.5	81.8	82.1	83.3	84.3	85.4	87.6	90.6	91.7	91.7	81.6	87.6	85.9	85.9	85.9	128.2		
FREQ. SHIF	4000	77.9	78.9	79.2	79.8	80.9	82.6	83.6	84.5	86.6	88.7	89.3	88.6	84.3	82.3	82.3	82.3	82.3	126.3		
JET 0	5000	77.3	78.3	78.4	78.9	80.3	81.4	83.1	84.3	86.9	88.8	88.7	87.9	82.8	79.6	79.6	79.6	79.6	126.0		
DIAMETER RATIO	6300	76.0	77.9	78.0	78.6	79.7	80.5	81.7	82.7	84.8	86.5	86.7	85.5	80.9	76.9	76.9	76.9	76.9	124.3		
DF/DH 1.00	8000	75.0	77.3	77.1	78.3	79.1	79.7	80.6	81.3	83.6	85.0	85.2	83.0	78.7	75.2	75.2	75.2	75.2	123.1		
	10000	74.1	75.5	76.3	76.8	77.8	78.0	78.8	79.9	82.0	83.7	83.2	80.8	76.8	73.4	73.4	73.4	73.4	121.8		
	12500	71.9	73.9	74.5	74.8	75.6	76.4	77.4	78.3	80.2	81.3	81.5	78.7	74.4	70.8	70.8	70.8	70.8	120.3		
	16000	69.2	71.3	71.8	71.6	73.7	74.8	75.9	76.4	78.1	79.0	78.7	76.0	71.2	67.8	67.8	67.8	67.8	118.4		
	20000	66.2	68.7	68.9	69.2	70.5	71.4	72.8	73.8	76.2	76.0	77.1	73.1	69.7	65.0	65.0	65.0	65.0	116.4		
	25000	63.6	66.3	66.5	67.1	67.4	68.9	70.3	71.3	73.0	73.6	74.1	71.0	69.1	64.5	64.5	64.5	64.5	114.2		
325	31500	60.2	62.7	62.8	63.7	64.3	65.9	67.2	68.9	70.7	70.7	71.9	69.2	67.3	62.7	62.7	62.7	62.7	112.1		
	40000	57.7	60.9	60.6	60.9	61.0	62.6	63.5	65.2	66.8	67.8	70.0	69.2	67.6	63.4	63.4	63.4	63.4	110.4		
	50000	55.6	58.3	58.1	58.9	58.5	61.8	62.1	64.3	64.0	67.9	71.9	70.9	69.8	65.4	65.4	65.4	65.4	112.1		
	63000	55.5	55.7	55.4	56.8	57.6	62.4	62.4	65.0	63.4	69.1	73.4	72.8	72.3	68.3	68.3	68.3	68.3	115.3		
	80000	56.1	54.7	53.5	56.5	58.0	64.1	64.2	67.1	63.5	71.0	75.3	76.4	74.1	69.5	69.5	69.5	69.5	120.4		
OVERALL MEASURED																					
OVERALL CALCULATED		94.3	93.8	94.1	94.0	94.9	96.1	97.6	98.6	101.2	103.8	106.5	109.7	110.8	111.9				145.1		
PND8		109.3	105.8	105.9	106.1	106.9	108.1	109.5	110.6	112.9	117.4	117.2	118.8	118.9	118.6						

ORIGINAL PAGE IS
OF POOR
QUALITY

REV; ALPHA 12/73	FREQ	ANGLES FROM INLET IN DEGREES (AND RADIANS)																		PWL
		30	40	50	60	70	80	90	100	110	120	130	140	150	160	170	180	190	200	
NO EGA	50	62,1	62,8	62,9	62,7	63,7	64,3	64,9	64,8	65,6	70,1	72,5	72,5	75,6	80,0	82,3	86,1	89,2	110,9	
RDG, NO	63	64,3	63,8	64,7	65,2	67,0	66,7	67,3	67,9	68,6	71,1	76,3	76,6	79,5	82,3	86,1	89,2	92,3	113,9	
RADIAL 40, FT	80	65,6	66,6	67,0	67,7	69,5	68,4	70,8	70,1	72,1	73,9	78,0	80,4	82,8	86,1	89,2	92,3	95,4	117,1	
(12, M)	100	68,7	68,2	69,9	69,9	70,2	71,4	74,2	74,6	76,5	78,4	82,4	84,3	88,8	89,2	92,3	95,4	98,5	121,2	
VEHICLE JENOTS	125	72,5	72,0	71,7	71,5	72,2	75,2	77,2	76,7	79,7	81,7	85,7	87,7	90,5	92,3	95,4	98,5	101,6	124,1	
CONFIG JE-055	160	77,7	75,7	74,9	75,2	76,7	79,4	81,4	80,2	83,7	84,2	86,7	89,3	92,2	95,1	98,0	101,0	104,0	126,1	
LOC EVENDALE	200	79,9	79,3	76,0	78,3	78,3	80,8	81,3	81,5	83,8	86,8	89,3	95,2	96,8	97,2	99,9	102,2	104,5	129,9	
DATE 04-16-75	250	82,8	81,5	80,5	81,0	81,3	81,8	84,3	84,3	87,3	90,3	90,8	95,8	96,8	98,8	100,9	102,9	104,9	133,7	
RUN DBT MODEL 7	315	84,3	81,8	83,3	83,3	83,8	84,7	83,8	87,8	89,3	92,5	92,5	96,8	96,8	98,8	100,8	102,8	104,8	136,4	
TAPE X70460	400	83,4	80,9	82,0	81,6	82,6	83,2	85,8	86,6	90,5	93,6	93,6	94,7	94,7	96,7	98,7	100,7	102,7	136,1	
BAR 29,9 HG	500	84,6	84,1	83,8	82,8	82,7	84,6	86,0	86,6	89,2	92,2	92,2	94,7	94,7	96,7	98,7	100,7	102,7	136,7	
(01039, N/42)	630	84,8	83,7	83,5	82,4	83,4	84,0	86,6	87,7	90,2	91,4	91,4	94,7	94,7	96,7	98,7	100,7	102,7	136,1	
TAMB 59, DEG F	800	84,0	83,7	84,1	84,3	85,3	85,3	86,7	88,8	91,5	94,6	94,6	96,5	96,5	98,5	100,5	102,5	104,5	135,8	
(288, DEG K)	1000	84,3	82,9	84,5	83,9	84,8	85,9	87,9	88,8	90,9	94,1	94,1	96,5	96,5	98,5	100,5	102,5	104,5	133,8	
TWET 53, DEG F	1250	83,2	83,2	83,9	83,3	84,2	85,7	87,9	88,4	90,9	94,1	94,1	96,3	96,3	98,2	99,2	101,2	103,2	133,5	
(285, DEG K)	1600	82,3	83,5	82,9	83,2	84,6	86,7	87,5	88,5	90,8	93,0	93,0	96,1	96,1	98,0	99,0	101,0	103,0	132,1	
HACT 8,91 GM/M3	2000	83,6	82,8	81,8	81,7	82,6	85,0	85,7	87,7	89,7	91,6	91,6	94,4	94,4	96,3	98,3	100,3	102,3	131,1	
(100891 KG/M3)	2500	81,6	81,8	82,5	81,7	82,6	83,9	85,7	86,2	89,1	91,8	91,8	93,3	93,3	95,2	97,2	99,2	101,2	129,7	
FREQ, SHIFT	3150	79,8	81,4	80,8	82,0	82,6	83,6	84,5	85,7	87,8	90,4	92,2	92,2	94,2	96,2	98,3	100,3	102,3	128,5	
JET	4000	78,2	79,7	80,0	80,3	81,4	82,9	84,2	84,5	87,1	89,2	90,1	90,1	92,8	94,8	96,8	98,8	100,8	126,8	
DIAMETER RATIO	5000	77,9	79,1	78,9	79,4	80,4	81,9	83,1	84,3	87,2	88,8	88,8	91,2	93,2	95,2	97,2	99,2	101,2	125,8	
DF/DH 1,00:	6300	76,6	78,2	78,3	78,9	80,0	81,0	81,7	83,2	84,9	86,5	87,2	89,8	91,8	93,8	95,8	97,8	99,8	124,4	
	8000	75,4	77,4	77,7	77,9	78,9	79,7	80,6	81,3	83,9	84,8	84,8	87,2	89,2	91,2	93,2	95,2	97,2	123,1	
	10000	75,7	75,9	76,1	77,0	77,4	78,6	79,2	80,0	82,6	82,9	83,1	85,7	87,7	89,7	91,7	93,7	95,7	121,7	
	12500	71,8	74,1	74,7	75,1	76,3	76,3	77,6	78,7	80,1	81,0	80,9	83,7	85,7	87,7	89,7	91,7	93,7	120,1	
	16000	68,9	71,2	71,9	71,7	73,6	74,7	75,8	76,5	77,8	78,5	78,3	81,1	83,1	85,1	87,1	89,1	91,1	118,2	
	20000	65,9	68,7	68,9	69,2	71,2	71,4	72,7	73,3	75,6	75,6	75,8	78,5	80,5	82,5	84,5	86,5	88,5	115,9	
325	25000	62,8	66,5	66,7	66,8	68,1	68,8	70,5	71,2	72,7	72,8	73,5	76,1	78,1	80,1	82,1	84,1	86,1	114,2	
	31500	59,6	62,9	63,2	63,7	64,5	66,1	67,1	68,6	70,0	69,9	71,6	73,9	75,9	77,9	79,9	81,9	83,9	112,0	
	40000	57,4	60,6	60,6	60,9	64,2	62,7	63,4	64,9	66,0	67,5	70,2	71,8	73,8	75,8	77,8	79,8	81,8	110,4	
	50000	55,8	58,0	58,2	58,8	62,7	61,7	62,2	63,7	63,7	65,1	67,8	69,8	71,8	73,8	75,8	77,8	79,8	112,0	
	63000	55,4	55,1	55,5	57,2	63,8	62,3	62,0	64,8	63,3	63,3	65,8	67,8	71,8	71,8	73,8	75,8	77,8	115,2	
	80000	56,0	53,6	53,6	56,1	64,6	64,3	64,3	67,0	63,6	64,4	65,5	68,2	71,2	71,2	73,2	75,2	77,2	115,2	
OVERALL MEASURED		94,9	94,4	94,6	94,6	95,5	96,7	98,1	99,0	101,8	104,2	107,1	110,4	111,6	112,0	112,0	112,0	112,0	145,6	
OVERALL CALCULATED		105,9	108,3	106,3	106,6	107,4	108,6	109,8	110,8	113,3	115,7	117,8	119,2	119,2	118,8	118,8	118,8	118,8		

REV: ALPHA 12/73	FREQ.	30	40	50	60	70	80	90	100	110	120	130	140	150	160	PHL
		(0,52)	(0,70)	(0,87)	(1,05)	(1,22)	(1,40)	(1,57)	(1,75)	(1,92)	(2,09)	(2,27)	(2,44)	(2,62)	(2,79)	(0,0)
		ANGLES FROM INLET IN DEGREES (AND RADIANS)														
NO EGA	90	62,8	63,4	64,1	63,7	64,7	65,1	65,9	64,8	66,9	68,1	71,3	74,3	77,3	82,0	112,1
RDG. NO: 0	63	64,8	65,4	66,2	66,5	67,3	67,9	68,5	68,2	69,4	71,3	75,1	77,9	80,7	84,8	115,2
RADIAL 40, FT	80	68,9	67,4	68,3	68,6	69,3	69,7	71,3	70,6	72,6	74,4	78,5	81,9	84,0	88,1	118,5
(12, 4)	100	69,7	69,9	71,4	71,2	71,2	72,9	75,0	75,6	77,2	78,9	82,2	84,9	89,3	90,9	122,4
VEHICLE JENOTS	125	74,0	73,2	73,0	73,2	73,2	76,2	78,7	78,2	80,2	82,5	85,5	89,1	91,5	93,8	125,2
CONFIG JE-055	160	79,2	76,9	75,9	76,2	77,4	80,4	82,1	81,2	84,9	85,7	87,7	91,2	93,4	94,9	127,3
LOC EVENDALE	200	79,5	80,0	76,8	78,5	79,9	81,3	82,3	82,3	85,0	88,9	90,6	95,1	97,5	98,9	130,8
DATE 04-16-75	250	83,3	82,3	81,3	81,8	81,8	82,8	83,8	85,3	89,3	91,8	95,6	98,8	102,2	101,9	134,6
RUN DBT MODEL 7	315	85,3	82,3	83,3	84,2	84,3	85,5	84,5	87,8	89,8	93,3	97,5	98,9	103,3	106,3	136,6
TAPE X70470	400	83,4	81,4	85,0	82,1	83,6	84,2	86,5	87,6	90,8	94,1	95,0	101,3	106,9	103,3	136,3
BAR 29,9 HG	500	85,3	84,8	84,6	82,3	84,2	84,9	87,0	88,0	90,7	92,7	95,7	103,4	105,5	102,1	137,4
(01039, N/M2)	630	84,7	84,4	85,2	83,5	84,7	84,7	87,6	88,6	90,9	92,4	97,2	102,8	104,4	104,0	137,2
TAMB 59, DEG F	800	84,7	84,4	84,6	84,5	84,8	86,1	87,7	89,4	91,9	95,3	98,5	101,3	101,7	104,0	137,4
(288, DEG K)	1000	85,6	84,1	85,5	85,5	85,3	86,9	88,9	89,8	92,1	94,8	97,2	98,9	98,6	99,2	134,4
TWET 53, DEG F	1250	84,2	84,2	84,9	84,8	85,5	86,7	88,4	89,4	91,7	95,4	98,3	100,0	97,7	95,2	134,4
(285, DEG K)	1600	83,0	84,7	84,4	84,5	85,6	87,2	88,8	89,2	91,3	94,3	97,3	97,0	95,1	92,0	132,9
MACT 8,91 G/M3	2000	84,1	83,6	83,3	85,4	85,7	87,1	87,8	88,8	91,0	92,9	96,2	96,5	92,9	90,8	132,0
(,00891 KG/M3)	2500	82,1	83,6	83,8	82,7	84,1	85,4	87,0	88,2	90,6	92,6	94,3	94,7	90,2	88,0	130,7
FREQ. SHIFT	3150	80,8	82,7	82,8	83,0	83,9	84,9	86,0	86,9	89,3	91,6	92,9	93,6	89,6	86,4	129,7
JFT 0	4000	79,7	81,5	81,0	81,6	82,4	83,9	85,2	86,2	88,3	90,4	91,6	90,3	86,6	84,0	128,2
DIAMETER RATIO	5000	78,8	80,0	80,2	80,7	81,9	83,7	84,6	86,2	87,9	89,3	90,5	89,2	84,8	82,9	127,4
DF/DM 1,00	6300	77,8	79,4	79,8	80,2	81,2	82,3	83,5	84,4	86,4	87,8	88,0	87,0	83,2	81,2	125,8
	8000	76,4	78,4	78,9	79,4	80,4	81,0	81,6	82,6	84,9	86,3	86,6	85,1	81,8	79,8	124,6
	10000	74,9	77,4	77,6	78,5	79,7	79,8	80,9	81,5	83,8	84,6	84,3	82,9	79,6	78,2	123,9
	12500	73,0	75,6	75,4	76,4	78,0	78,3	79,6	80,2	81,4	83,0	82,6	81,4	78,0	76,7	122,0
	16000	70,4	73,2	73,7	73,7	75,4	76,7	77,8	78,0	79,5	80,6	80,6	78,9	76,2	74,5	120,3
327	20000	67,1	69,9	70,6	73,9	72,7	73,6	74,7	74,5	77,6	77,9	78,8	76,3	73,8	72,9	118,3
	25000	65,0	68,2	69,5	69,8	70,3	70,6	72,2	72,7	74,2	75,3	75,8	73,7	73,0	72,5	116,3
	31500	61,4	64,9	66,0	66,4	66,8	68,1	69,6	70,3	71,2	72,7	74,1	71,7	70,7	71,9	114,4
	40000	58,6	62,6	63,3	64,4	64,7	65,0	65,9	67,1	67,7	69,0	72,0	69,1	69,6	72,6	112,6
	50000	56,0	61,0	60,7	63,3	62,7	63,0	63,7	65,7	65,2	68,8	72,1	69,1	70,9	74,5	113,4
	63000	53,4	57,9	58,3	63,7	62,8	62,5	62,8	65,6	64,3	69,9	74,0	71,5	72,9	77,0	116,7
	80000	52,2	55,3	54,5	63,9	63,6	64,2	64,0	67,2	63,9	71,6	75,2	73,5	74,5	78,7	121,1
OVERALL MEASURED																
OVERALL CALCULATED		95,6	95,5	95,8	95,7	96,5	97,7	99,1	100,2	102,8	105,1	107,9	110,9	112,4	112,5	146,3
PND8		106,7	107,4	107,6	107,7	108,6	109,7	111,0	112,4	114,5	116,7	118,7	120,0	120,1	119,5	

ORIGINAL PAGE IS OF POOR QUALITY

REV. ALPHA 12/73	FREQ.	30'	40'	50'	60'	70'	80'	90'	100'	110'	120'	130'	140'	150'	160'	170'	180'	190'	200'	PWL
		(0.52)	(0.70)	(0.87)	(1.03)	(1.22)	(1.40)	(1.57)	(1.75)	(1.92)	(2.09)	(2.27)	(2.44)	(2.62)	(2.79)	(2.97)	(3.14)	(3.31)	(3.49)	
		ANGLES FROM INLET IN DEGREES, (AND RADIANS)																		
NO EGA	50	76.1	77.3	76.6	72.9	72.5	73.3	74.1	73.3	73.4	74.1	74.8	76.0	82.3	90.2					119.3
RCG, NO.	50	76.6	77.6	76.4	73.5	73.3	73.4	74.0	74.2	74.1	76.1	77.3	78.6	82.7	92.1					120.7
RADIAL 40, FT. (12. M)	100	75.4	77.4	77.3	74.1	74.0	75.2	75.3	75.3	75.8	78.4	79.7	81.9	85.5	95.1					123.2
VEHICLE JENOTS	125	76.2	76.9	77.2	74.9	74.9	76.2	78.2	78.8	79.2	81.4	82.4	86.0	89.8	95.4					124.8
CONFIG JE-055	150	78.3	77.2	77.2	76.2	75.5	78.5	80.7	81.0	81.2	84.2	85.2	88.6	91.3	98.8					127.5
LCC EVENDALE	200	81.9	79.7	78.9	77.7	78.4	81.9	82.9	82.7	84.9	86.9	86.9	90.4	92.9	97.9					128.2
DATE 04-10-75	250	83.0	81.0	79.5	79.0	79.3	82.0	82.0	82.0	84.8	88.3	88.3	90.8	95.8	100.8					131.1
RCX DETF-MODEL 7	300	83.0	83.5	84.0	84.5	85.3	85.7	84.0	89.0	91.0	94.5	98.3	99.9	100.7	101.1					133.7
TAPE X77480	400	83.4	81.2	91.8	82.9	84.2	84.0	86.3	87.8	90.6	94.8	95.5	102.0	105.0	104.1					137.2
CAR 29.9 HG	500	84.6	85.1	85.6	82.8	84.0	84.9	87.2	89.2	90.9	93.2	97.5	102.0	104.6	106.6					138.7
(J1039, N742)	600	85.0	85.2	85.9	83.5	85.0	85.0	87.6	89.6	91.9	93.5	98.2	103.6	106.2	108.8					139.3
TAMB 59, DEG F	800	85.1	84.1	86.0	85.1	85.8	86.7	88.7	90.1	92.4	95.6	98.5	103.6	106.6	106.5					138.2
(26S, DEG K)	1000	84.0	84.2	85.4	84.5	86.0	86.9	88.4	90.4	92.2	95.4	98.8	101.0	103.0	103.7					135.7
TACT 53, DEG F	1600	82.0	84.2	84.7	84.7	86.1	87.0	88.5	90.0	92.1	94.7	97.8	98.5	95.6	95.2					135.1
(20S, DEG K)	2000	83.6	83.8	83.8	85.4	87.0	87.3	87.8	89.6	91.7	94.4	96.9	96.7	93.6	93.5					133.7
HACT 8.91 CM/M3	2500	81.5	83.0	83.7	82.9	83.8	85.6	86.4	88.9	90.8	93.3	94.2	95.4	91.1	89.2					132.8
(.00691 KG/M3)	3150	80.0	81.6	82.4	82.9	83.8	84.5	85.4	87.6	89.5	92.0	93.3	93.3	89.2	87.1					129.8
FABO. SHIFT	4000	78.0	80.3	80.6	80.9	82.5	83.4	84.7	86.8	88.7	91.0	90.9	89.7	86.2	87.6					128.2
JET 0	5000	77.6	79.1	80.0	80.2	81.7	83.0	83.7	86.4	88.7	89.9	89.8	88.7	83.9	82.5					127.6
DIAMETER RATIO	6300	76.5	78.4	79.3	79.6	80.7	81.5	82.9	84.7	87.1	88.0	87.7	85.5	81.4	80.1					125.6
BF/CM 1.00	8000	75.7	77.5	78.2	78.7	80.0	80.3	81.7	83.6	85.0	86.1	85.9	83.4	79.1	77.1					124.2
	10000	73.8	76.5	77.0	77.6	78.8	79.0	79.8	81.9	83.7	84.5	83.7	80.8	77.3	75.4					122.9
	12500	72.0	74.1	74.9	75.2	77.1	77.0	78.1	79.9	81.4	82.5	81.4	78.6	75.0	71.9					121.1
	16000	68.6	71.4	72.4	72.4	74.1	75.1	75.2	77.7	79.0	79.4	78.3	75.6	72.6	69.5					118.9
328	20000	64.8	68.1	69.1	69.9	70.6	71.8	72.7	74.5	76.1	75.3	75.0	72.7	69.8	67.6					116.0
	25000	61.5	65.0	65.5	66.3	66.6	67.3	68.7	70.5	72.3	72.3	71.3	70.2	68.0	66.7					113.0
	31500	57.4	60.5	61.3	62.2	61.8	63.1	64.7	67.1	67.3	68.2	69.4	68.5	67.0	65.7					110.1
	40000	57.0	58.9	58.7	59.5	59.8	59.6	60.1	62.0	62.6	64.9	66.6	68.5	67.2	67.7					108.8
	50000	58.9	60.1	58.9	60.4	60.3	59.9	59.6	62.3	60.8	66.7	71.2	71.4	69.8	70.4					111.9
	63000	61.5	62.0	60.6	62.8	62.6	61.6	62.1	65.2	62.2	69.3	73.9	74.1	72.5	73.1					116.3
	80000	63.6	63.6	62.0	63.8	65.0	64.4	64.4	66.9	63.5	71.3	75.9	76.4	74.6	76.8					121.6
OVERALL MEASURED																				
OVERALL CALCULATED		95.6	95.8	97.5	95.8	98.8	97.6	98.9	101.0	103.1	105.7	108.6	111.8	113.3	114.7					147.4
PND8		106.5	107.4	108.3	107.8	108.9	109.7	110.8	112.9	114.9	117.3	119.2	120.5	120.6	122.1					

REV, ALPHA 12/73	FREQ	ANGLES FROM INLET IN DEGREES (AND RADYANS)																PWL	
		30	40	50	60	70	80	90	100	110	120	130	140	150	160	0	0		0
NO EGA	50	63,3	63,6	64,1	63,9	64,0	64,8	64,9	64,3	66,9	68,1	71,5	74,0	76,6	84,2				112,9
RDG, NO	63	65,6	66,3	66,9	66,7	67,5	67,9	68,3	68,4	71,1	72,8	75,6	78,1	80,5	86,3				116,0
RADIAL 40, FT	80	67,4	68,1	69,0	69,1	69,3	69,7	71,3	70,8	72,6	74,9	78,5	81,6	83,5	89,1				118,8
(12, M)	100	70,2	70,7	72,2	71,7	71,4	72,9	74,7	75,3	77,2	78,7	81,9	85,8	89,1	92,4				122,8
VEHICLE JENOTS	125	74,0	73,0	73,7	73,5	73,2	76,2	78,4	77,7	80,7	82,2	84,7	88,4	90,5	96,3				125,7
CONFIG JEM055	160	79,4	76,7	76,4	76,9	77,7	80,2	82,6	83,9	84,4	86,2	88,2	91,4	93,1	98,6				128,6
LOC EVENDALE	200	80,3	81,4	81,8	81,8	81,9	82,3	82,8	83,8	85,8	87,3	88,2	92,3	97,5	102,9				132,6
DATE 04-16-75	250	83,8	82,5	81,8	81,8	83,3	83,3	85,3	84,8	89,1	91,3	92,8	96,5	98,8	102,2				134,8
RUN DBTC MODEL 7	315	87,2	84,5	85,8	85,0	86,3	86,7	86,7	89,8	92,7	96,5	100,5	101,8	105,6	108,7				139,2
TAPE X70490	400	85,1	82,2	85,8	83,6	85,4	84,7	87,8	88,6	91,8	96,1	98,0	104,3	105,2	109,1				138,5
BAR 29,9 HG	500	89,6	88,3	87,6	85,5	86,5	86,9	88,5	90,2	92,7	95,7	99,2	107,2	109,3	104,6				140,9
{01039, N/M2}	600	88,8	87,4	87,7	85,9	86,9	87,2	89,6	90,1	93,4	95,7	101,2	107,1	107,9	107,5				140,8
TAMB 59, DEG F	800	88,7	87,2	87,6	86,8	88,3	88,1	90,0	91,6	93,5	96,8	101,0	105,3	105,7	108,3				140,0
(288, DEG K)	1000	89,3	87,4	87,7	86,9	88,0	89,2	91,4	91,6	94,6	98,3	101,5	103,2	104,1	104,7				138,6
TWET 53, DEG F	1250	87,2	86,9	87,1	87,3	88,0	89,2	91,7	91,9	94,4	97,9	101,8	104,2	103,2	101,7				138,4
(285, DEG K)	1600	86,0	86,5	86,4	86,5	87,8	89,5	91,0	92,5	94,1	97,0	101,1	107,0	100,1	98,7				136,5
HACT 8,91 GM/M3	2000	86,3	85,8	86,7	86,2	88,0	89,1	91,0	91,3	93,5	96,6	98,9	100,8	98,9	96,8				135,4
(00891 KG/M3)	2500	84,6	84,8	85,3	84,2	85,9	87,7	89,2	90,9	93,3	95,6	97,0	98,0	94,4	94,0				133,6
FREQ, SHIF	3150	82,8	83,9	84,0	85,0	85,6	86,9	88,0	89,7	92,3	94,9	95,7	98,9	93,3	91,9				132,5
JET	4000	81,0	82,5	82,8	83,3	84,4	86,4	87,9	89,2	91,1	93,4	93,8	93,1	89,8	88,5				130,8
DIAMETER RATIO	5000	78,8	81,1	81,4	81,7	82,7	84,3	86,6	88,9	91,1	93,3	92,8	91,2	87,8	84,9				130,0
DF/DM 1,00	6300	78,8	80,4	80,3	81,4	82,7	84,3	85,2	86,7	89,6	91,3	91,2	89,5	85,7	81,2				128,5
	8000	77,9	79,4	79,7	80,6	81,9	83,2	83,6	85,8	88,1	89,8	88,6	86,1	83,0	79,3				127,0
	10300	76,4	77,9	78,6	79,2	80,7	81,8	82,4	84,5	87,1	87,9	86,8	83,7	79,9	76,7				125,7
	12500	74,0	76,3	76,7	77,6	79,0	79,5	81,6	82,4	84,6	85,7	84,6	81,3	77,0	74,4				124,0
329	16000	71,1	73,4	74,2	74,5	76,9	77,7	79,0	80,3	82,8	83,2	82,1	78,7	74,2	71,8				122,1
	20000	68,1	70,9	71,6	72,2	73,9	74,6	76,7	78,0	80,1	80,1	79,6	75,3	71,4	70,4				119,8
	25000	65,0	68,5	69,7	69,8	70,6	71,8	74,0	75,0	77,5	77,3	76,5	72,9	70,5	71,2				117,6
	31500	62,1	66,2	66,0	66,9	67,5	69,3	70,6	72,3	73,7	75,2	74,6	70,9	69,2	70,9				115,3
	40000	59,6	63,8	63,8	64,6	64,7	65,7	66,7	68,3	71,7	73,3	72,2	70,1	68,8	72,6				114,1
	50000	57,8	62,7	62,5	63,5	62,7	63,0	64,5	66,4	70,7	74,8	72,3	72,3	70,2	75,0				115,9
	63000	57,4	62,9	62,0	63,7	62,5	63,0	63,5	66,6	72,3	77,2	74,0	75,0	73,2	77,5				119,4
	80000	56,2	62,3	62,1	64,6	63,6	64,7	64,5	67,5	72,9	79,6	76,0	76,5	74,5	79,4				124,2
OVERALL MEASURED																			
OVERALL CALCULATED		98,4	97,5	97,8	97,5	98,6	99,5	101,2	102,75	105,0	107,9	111,0	114,6	115,5	115,7				149,4
PNDB		109,0	108,9	109,2	109,5	110,4	111,6	113,1	114,5	117,0	119,6	121,5	123,3	123,9	122,9				

ORIGINAL PAGE IS OF POOR QUALITY

REV. ALPHA 12/73	FFREQ.	ANGLES FROM INLET IN DEGREES (AND RADIANs)																PHL
		30	40	50	60	70	80	90	100	110	120	130	140	150	160	180		
NO EGA	50	71.6	72.3	73.9	74.2	73.2	74.1	73.4	73.0	72.9	73.6	73.5	76.3	79.3	89.5		118.3	
REG. NO.	63	72.1	73.1	73.7	74.2	74.0	74.4	73.3	73.9	74.4	75.6	76.1	79.4	82.5	90.1		119.4	
RADIAL 40 FT.	80	72.4	73.4	74.5	75.1	74.3	75.7	75.6	75.1	75.8	77.6	79.0	83.4	85.3	91.1		121.1	
(12.4)	100	73.4	74.4	75.9	75.4	75.4	77.2	78.7	78.8	79.7	81.4	82.7	88.0	91.5	95.7		125.5	
VEHICLE JENOTS	125	75.7	75.7	77.0	77.2	76.2	79.5	81.2	81.2	82.7	84.5	85.5	90.6	93.5	96.8		127.4	
CONFIG JE-154	160	80.2	79.2	78.2	78.9	79.4	82.4	84.4	82.7	87.4	87.7	87.7	92.2	94.4	97.1		128.9	
LCC EVELDALE	200	81.9	81.8	79.0	81.3	81.9	84.0	83.8	83.8	86.8	90.9	91.6	97.1	98.7	99.8		132.2	
DATE 04-15-75	250	83.8	83.3	82.8	84.3	83.0	84.0	85.3	86.3	92.3	92.5	95.8	99.0	103.2	102.4		135.4	
TAPE DBTF-MODEL 7	315	86.3	85.8	87.0	86.3	86.8	87.5	88.8	89.8	92.3	97.5	99.5	102.4	106.4	108.3		139.3	
SAR 29.9 HQ	400	88.8	88.1	90.3	84.6	85.6	85.9	88.8	89.8	93.0	97.6	97.7	106.0	107.4	107.6		140.2	
(0.1039 N/M2)	500	88.8	88.1	88.1	86.0	86.5	87.6	89.5	90.7	93.4	95.9	97.5	107.6	108.8	106.1		140.8	
TAMP 59 DEG F	630	87.6	88.2	88.4	86.4	87.7	87.7	90.1	92.1	94.9	97.2	100.7	107.8	109.4	109.3		142.0	
(288 DFG K)	800	87.2	87.6	88.6	87.7	86.5	88.5	90.6	93.1	94.3	98.2	100.4	105.2	106.2	110.4		140.9	
T-ET 53 DEG F	1000	88.1	86.9	89.0	87.7	88.0	89.4	91.6	93.8	95.6	99.3	101.0	104.6	104.8	105.7		139.4	
(285 DFG K)	1250	86.7	87.4	88.4	87.5	87.0	89.7	92.7	94.2	95.2	99.1	101.3	103.5	102.7	101.9		138.3	
HACT 8.91 GM/H3	1600	85.0	87.0	86.4	87.2	80.3	90.0	91.5	92.7	94.3	97.7	99.8	101.0	99.4	98.5		136.3	
(.00091 KG/H3)	2000	85.6	86.6	86.3	87.7	85.2	89.6	90.8	92.1	94.2	97.1	98.2	99.5	97.6	96.5		135.3	
FREQ. SHIFT	2500	83.8	86.2	86.5	85.5	86.1	87.9	90.0	91.7	94.0	96.6	95.7	97.9	94.4	93.0		133.8	
JET 0	3150	81.0	85.2	84.3	85.0	85.8	87.6	88.5	90.4	92.6	95.1	94.7	95.9	92.8	90.4		132.4	
DIAMETER RATIO	4000	80.4	82.9	83.5	83.8	84.9	86.8	87.1	89.7	91.6	93.9	92.6	93.1	89.6	87.5		130.8	
DF/DH 1.00	5000	79.0	80.5	81.6	82.1	83.3	84.6	86.6	88.6	90.6	93.0	90.7	90.4	86.8	84.4		129.4	
330	6300	77.5	79.8	80.5	81.4	82.2	83.5	85.2	86.9	89.3	91.0	88.4	87.5	83.4	80.9		127.7	
	8000	76.0	78.6	79.9	80.1	81.3	82.2	83.6	85.0	86.8	89.0	86.2	85.0	81.0	78.2		125.9	
	10000	74.8	77.5	78.1	78.6	80.1	80.5	81.8	83.4	85.5	86.8	84.7	82.3	79.0	76.1		124.5	
	12500	72.7	76.0	76.3	77.3	78.2	78.7	80.5	81.6	83.5	84.6	81.8	79.7	76.9	75.1		122.8	
	16000	71.0	73.3	74.3	74.6	76.8	76.8	78.1	79.9	81.2	82.1	79.5	77.8	74.3	72.1		121.0	
	20000	67.5	71.3	72.0	72.5	73.8	74.5	75.9	76.4	79.0	79.0	76.9	75.7	72.5	70.9		118.9	
	25000	65.6	68.8	69.6	71.0	71.0	71.5	73.6	74.6	76.1	76.7	74.1	73.3	71.6	69.8		117.0	
	31500	62.6	66.2	67.2	67.7	68.0	69.8	70.6	72.1	73.5	73.4	72.6	70.9	70.2	68.4		115.0	
	40000	60.4	64.3	64.6	65.9	65.4	65.7	66.7	68.6	70.7	70.2	70.2	68.1	68.5	68.3		112.9	
	50000	60.3	63.7	64.0	64.3	63.4	63.7	64.8	66.4	69.7	70.4	70.1	69.1	70.2	69.8		113.4	
	63000	60.4	64.1	64.0	64.5	63.8	63.1	62.8	66.4	70.8	71.7	72.0	70.7	72.2	72.5		116.5	
	80000	60.2	62.6	61.4	63.1	63.6	63.5	63.0	66.0	70.9	73.1	73.5	72.5	74.0	74.7		120.5	
OVERALL MEASURED		97.6	98.0	99.0	98.2	98.9	100.0	101.8	103.5	105.6	108.7	110.1	114.9	116.1	116.7		149.9	
OVERALL CALCULATED		108.3	109.8	110.3	110.0	110.9	112.2	113.7	115.3	117.6	120.3	120.5	123.2	123.5	123.9			

739

REV. ALPHA 12/73	FREQ.	ANGLES FROM INLET IN DEGREES (AND RADIAN'S)															PWL'
		30	40	50	60	70	80	90	100	110	120	130	140	150	160		
NO EGA	63	70.6	72.3	72.1	70.4	69.7	70.1	71.4	72.0	73.6	73.6	73.3	77.5	80.8	90.0	118.3	
REG. NO. 0	80	71.3	72.1	72.7	71.5	72.0	72.2	72.3	73.7	74.4	76.1	77.1	81.4	84.0	93.3	121.3	
RADIAL 43 FT	100	73.7	74.4	73.8	73.1	73.3	73.7	74.6	76.3	76.6	78.1	79.7	84.6	87.0	93.9	122.8	
(12.4)	125	76.0	76.5	76.5	76.5	75.7	78.2	81.2	81.5	83.2	84.7	86.2	91.1	94.3	99.5	126.6	
VEHICLE JENOTS	160	80.9	79.7	78.7	79.2	79.9	82.2	84.6	83.7	87.4	87.7	88.7	92.9	94.9	102.4	128.8	
CONFIG JF-1054	200	83.2	82.8	79.8	81.0	81.5	84.5	84.0	85.3	87.3	91.0	92.1	97.9	99.7	103.8	131.2	
LCC EVENDALE	250	84.9	84.5	83.8	84.3	84.3	85.0	86.0	87.0	92.8	93.9	96.3	100.0	102.9	103.5	133.9	
DATE 04-15-75	315	86.8	86.8	85.3	87.0	86.3	87.7	87.8	91.0	92.5	96.8	99.8	102.9	107.7	107.5	135.9	
RLM DBTF-MODEL 7	400	85.2	83.7	80.8	85.4	86.4	86.5	88.8	90.6	93.3	96.8	97.3	105.0	108.0	105.6	139.7	
TAPE X70510	500	89.1	88.6	89.1	86.6	87.7	87.6	90.0	92.2	93.9	96.4	98.7	107.9	109.3	105.8	139.7	
SAR 29.9' H9	630	88.6	88.9	89.4	87.7	88.4	88.2	91.1	92.4	95.2	96.9	100.9	107.8	110.4	108.8	141.2	
(01039, N/M2)	600	87.7	88.9	90.8	88.8	89.8	88.8	91.8	95.1	95.5	99.4	101.2	102.3	106.7	109.0	142.3	
TAMB 59' DEG F	1000	88.6	87.9	89.5	88.6	88.8	89.9	92.9	94.3	96.1	99.8	101.0	104.4	104.1	103.7	140.8	
(280, DEG K)	1250	87.0	88.7	88.9	86.3	89.5	90.2	93.4	94.9	95.9	99.1	101.6	103.7	101.4	100.4	139.1	
TWET 53' DEG F	1600	85.0	83.2	88.2	88.0	89.1	90.7	92.5	94.5	95.6	98.3	100.1	101.0	99.1	97.2	138.3	
(285, DEG K)	2000	87.1	87.9	87.6	89.2	90.5	90.4	91.8	93.4	95.5	97.9	98.7	99.8	97.6	95.3	136.7	
HACT 8.51 GM/M3	2500	85.1	87.6	88.0	87.2	87.9	89.2	91.2	92.9	94.8	96.4	96.3	98.2	95.4	92.3	135.9	
(10069, KG/M3)	3150	84.1	88.0	87.3	88.0	88.4	89.6	90.8	91.9	93.9	96.9	96.7	97.7	95.9	93.4	134.4	
FREQ. SHIFT	4000	88.5	92.6	90.0	91.9	93.7	95.4	93.0	93.8	97.1	100.5	101.6	103.4	104.1	99.1	134.4	
JET 0	5000	85.4	83.1	83.5	84.2	85.2	86.7	88.4	90.2	92.7	93.6	92.3	92.9	90.4	88.0	139.4	
DIAMETER RATIO	6300	78.7	81.7	82.2	84.0	84.8	85.6	87.1	88.3	90.2	91.9	90.0	90.4	88.0	84.5	131.1	
DF/CM 1.00	8000	77.7	81.5	82.0	82.8	84.3	84.6	86.0	87.7	89.0	90.2	88.7	90.0	88.6	84.9	129.3	
	10000	76.1	79.8	80.3	81.6	82.6	83.0	84.1	85.9	87.5	88.5	86.2	86.6	84.8	81.9	128.6	
	12500	74.2	78.5	79.1	80.1	81.0	81.2	83.0	84.1	86.0	86.9	85.3	85.0	82.7	81.6	126.9	
	16000	71.8	76.4	77.4	77.9	80.1	79.4	81.2	82.5	83.7	84.4	83.3	82.0	81.1	78.7	125.7	
	20000	69.3	74.1	75.1	75.6	77.1	77.1	78.9	80.2	82.3	82.1	81.3	80.8	79.3	77.1	124.1	
	25000	67.1	72.6	73.3	74.2	75.2	75.3	76.9	78.4	79.9	79.9	79.1	78.8	77.6	77.6	122.5	
	31500	64.2	69.8	70.3	71.8	71.8	73.4	74.2	75.7	76.6	77.8	77.2	76.5	75.6	76.5	121.0	
	40000	62.4	67.9	68.4	69.4	69.2	69.5	70.7	72.4	73.8	75.1	74.3	73.9	73.4	76.9	119.1	
	50000	62.0	67.2	68.0	68.3	67.4	68.0	69.0	70.5	72.7	74.9	73.1	73.1	72.2	78.8	117.3	
	63000	63.2	68.1	68.3	68.7	67.3	67.6	68.0	69.8	73.3	76.7	73.5	74.0	72.9	82.2	117.7	
	80000	63.0	64.1	64.7	65.9	63.9	64.8	65.3	67.5	72.2	78.9	74.5	75.7	74.2	83.7	120.8	
OVERALL MEASURED																150.5	
OVERALL CALCULATED		98.6	103.1	100.7	100.0	101.0	101.8	103.2	104.8	106.8	109.6	111.1	115.3	116.9	116.3		
PND8		111.2	114.0	113.4	113.7	115.0	116.2	116.1	117.4	119.9	122.7	123.7	126.2	126.7	124.4		

331

ORIGINAL PAGE IS
OF POOR QUALITY

MODEL SOUND PRESSURE LEVELS (59 DEG. F, 70 PERCENT REL. HUM, DAY - JENOTS)

REV, ALPHA 12/73	FREQ.	ANGLES FROM INLET IN DEGREES (AND RADIANS)																PWL
		30	40	50	60	70	80	90	100	110	120	130	140	150	160	180		
NO EGA	50	73.6	72.8	73.1	72.7	73.2	73.3	73.6	74.5	75.4	77.8	77.8	81.8	85.8	100.7		127.3	
REG. NO.	63	74.6	74.6	74.7	75.0	75.3	74.9	75.8	76.9	78.1	80.3	80.8	85.6	89.2	101.1		128.1	
RADIAL (40 FT.)	90	75.6	76.1	75.8	76.9	76.5	77.2	78.6	78.8	80.1	82.9	81.5	89.9	92.5	101.9		129.5	
(12 M)	100	77.9	78.4	79.7	78.9	78.9	79.7	82.0	83.6	84.7	87.2	88.2	93.8	97.5	104.9		133.0	
VEHICLE JENOTS	125	80.5	80.8	80.7	81.0	81.0	83.0	86.2	86.0	88.0	99.7	91.2	96.6	99.3	105.8		134.5	
CONFIG JE-054	150	85.9	83.9	83.4	83.9	84.7	86.7	89.1	88.9	92.7	93.2	93.9	98.9	101.6	106.4		136.2	
LCC EVE DALE	200	86.5	87.3	84.3	88.0	86.3	89.5	90.0	91.0	91.8	95.5	98.1	103.6	107.0	110.3		140.2	
DATE 34-15-75	250	88.3	88.5	88.9	89.3	88.8	90.4	90.0	92.4	97.0	98.3	101.5	106.0	108.9	109.4		141.6	
RUN DSTF-MODEL 7	315	90.3	89.8	94.3	92.3	91.8	91.5	91.8	95.0	96.5	101.3	105.8	107.9	112.7	113.3		144.7	
TAPE X7-1530	400	88.9	87.7	93.3	89.7	90.9	90.7	93.6	95.1	97.6	101.8	102.8	110.8	112.7	110.4		144.7	
BAR 29.9 HG	500	93.3	93.8	93.3	91.5	92.7	92.6	95.2	97.7	99.4	102.4	104.7	114.9	116.1	113.1		148.0	
(01339, N/M2)	600	94.3	94.7	94.4	92.9	93.4	93.2	96.1	97.6	100.7	103.4	107.7	115.3	116.4	115.0		148.8	
TAMP 59 DEG F	800	94.7	95.4	96.8	94.8	95.5	94.8	96.7	99.9	101.3	105.3	108.2	114.0	116.1	117.0		148.9	
(288, DEG K)	1000	96.3	94.9	96.0	95.1	95.3	95.7	98.4	100.1	102.1	105.8	108.5	112.4	114.3	114.7		147.6	
THET 53 DEG F	1250	94.2	94.9	95.1	94.8	95.5	95.4	98.7	100.2	102.2	105.9	108.3	112.5	112.4	111.7		146.6	
(285, DEG K)	1600	92.8	94.7	93.7	94.3	94.8	95.5	98.0	99.7	102.1	105.0	106.6	109.7	110.4	108.7		144.7	
HACT 8.9 GH/M3	2000	93.1	93.4	91.8	94.4	95.0	95.7	97.1	99.4	101.3	104.4	105.7	108.3	108.6	107.1		143.5	
(10891 KG/M3)	2500	90.8	92.6	92.5	92.5	93.1	94.2	96.2	98.7	100.8	103.6	103.5	106.5	105.9	104.8		141.9	
FRET, SHIFT	3150	89.9	92.5	92.1	93.3	93.7	94.1	95.8	97.7	100.1	103.2	103.0	105.4	104.4	103.2		141.1	
JET	4000	89.0	90.8	90.6	91.6	92.7	93.4	95.5	97.3	99.6	102.9	101.4	102.9	101.9	100.8		139.6	
DIAMETER RATIO	5000	86.6	89.1	89.5	90.7	91.7	93.2	94.7	97.7	100.0	102.1	100.6	102.0	100.9	100.2		139.3	
DF/DH 1.00	6300	86.2	89.5	89.2	90.3	91.3	92.6	94.3	95.8	98.0	100.4	99.0	100.6	100.3	99.5		138.1	
	8000	85.2	88.3	88.3	90.0	91.0	91.3	93.2	95.4	96.8	99.4	98.2	99.7	99.4	99.6		137.1	
	10000	85.1	88.5	88.1	89.4	90.3	90.2	91.3	94.4	96.0	97.8	97.2	98.1	98.8	99.1		136.8	
	12500	83.7	87.2	87.3	88.1	89.2	88.9	90.5	92.6	94.0	96.1	95.0	96.2	97.2	97.6		135.4	
	16000	81.6	85.9	85.1	86.7	87.8	87.9	89.5	91.2	92.5	94.4	93.8	94.6	95.1	95.7		134.3	
	20000	80.6	85.1	84.8	85.9	86.1	85.6	87.4	89.2	91.1	92.1	91.8	92.8	93.3	93.6		132.9	
CS	25000	78.9	84.6	84.6	85.5	85.0	85.0	85.6	87.6	88.4	89.9	88.9	90.3	91.6	92.1		131.5	
	31500	76.2	81.5	82.3	83.5	83.3	83.4	84.0	85.9	85.8	87.5	87.4	87.3	88.8	89.5		129.9	
	40000	73.9	79.6	80.1	81.2	81.2	80.5	83.1	83.8	84.1	84.0	84.0	84.2	87.6	89.4		128.2	
	50000	71.8	76.7	77.2	79.0	77.4	78.2	78.8	82.2	81.7	84.1	82.9	83.3	86.4	89.5		128.4	
	63000	71.2	74.1	74.5	76.0	75.5	75.6	76.3	82.6	81.8	84.7	83.0	83.2	80.7	91.7		131.1	
	80000	71.8	72.9	71.7	74.2	73.9	73.8	74.6	84.8	81.9	87.2	83.7	85.2	92.5	93.2		135.6	
OVERALL MEASURED																	157.4	
OVERALL CALCULATED		104.4	105.2	105.6	105.4	105.9	106.4	108.4	110.5	112.5	115.6	117.4	122.6	124.1	123.7			
PND8		115.4	117.8	117.0	117.5	118.1	118.7	120.5	122.5	124.7	127.6	128.3	131.7	132.5	132.6			

ORIGINAL PAGE IS OF POOR QUALITY

MODEL SOUND PRESSURE LEVELS (59 DEG. F, 70 PERCENT REL. HUM. DAY - JENOTS)

REV, ALPHA 12/73	FREQ.	ANGLES FROM INLET IN DEGREES (AND RADIANS)															PWL
		30	40	50	60	70	80	90	100	110	120	130	140	150	160		
NO EGA	50	69.6	71.3	73.1	75.9	74.0	73.8	72.1	71.3	72.1	73.6	74.8	79.3	82.3	97.7	124.4	
REG. AC. C.	63	70.6	72.3	73.9	76.2	75.5	74.7	74.0	73.7	74.4	76.3	78.1	82.6	85.7	97.3	124.6	
RADIAL 40 FT.	100	74.7	75.4	77.2	78.2	77.7	78.4	79.7	80.6	82.2	83.9	85.7	91.5	95.3	100.9	126.1	
(12.4)	125	77.5	77.7	78.0	79.5	78.7	80.7	82.9	83.0	85.0	87.2	88.5	93.9	96.5	102.3	129.7	
VEHICLE JENOTS	160	82.9	81.2	80.2	81.7	81.9	84.7	86.1	85.4	88.7	89.7	90.7	95.9	98.6	103.4	131.3	
CONFIG JE-054	200	83.8	85.0	81.8	84.3	84.3	86.3	85.8	86.8	88.3	94.3	95.1	100.1	102.5	107.3	133.1	
LCC EVEHDALE	250	85.8	86.9	85.9	86.3	86.3	86.8	87.8	88.3	94.3	96.9	98.8	103.4	105.9	106.4	136.8	
DATE 04-15-75	315	89.3	88.0	89.3	89.8	89.3	89.5	88.8	92.3	94.3	99.8	103.8	105.6	109.7	111.3	138.8	
RUN DETF-MODEL 7	400	87.4	85.5	92.6	87.9	88.2	88.7	91.1	92.3	95.3	100.6	101.3	108.8	111.0	108.9	142.5	
TAPE X70540	500	91.8	91.6	91.1	89.3	91.2	90.9	92.2	94.2	97.2	99.9	102.5	112.4	113.8	109.8	142.9	
BAR 29.9 HG	630	91.6	92.9	91.7	90.7	91.4	91.0	93.6	94.9	97.9	100.9	106.7	113.1	114.1	113.3	145.5	
(01039, N/42)	800	92.2	92.2	93.4	92.9	92.8	92.5	94.8	96.6	98.5	103.4	105.7	111.3	112.0	115.5	146.7	
TAMP 59 DEG F	1000	93.3	92.4	93.8	92.6	92.8	94.2	95.7	97.3	99.9	103.6	106.7	111.2	112.3	112.2	146.2	
(288, DEG K)	1250	92.7	92.4	92.9	92.8	93.0	93.7	96.7	98.2	99.2	103.6	106.8	111.2	111.4	110.8	145.2	
TWET 53 DEG F	1600	91.1	92.5	92.2	92.5	92.8	94.0	95.5	97.2	99.4	102.3	105.3	108.2	109.1	108.2	143.2	
(285, DEG K)	2000	91.1	91.1	90.3	91.9	93.0	93.6	94.6	96.1	99.0	102.2	104.4	106.3	106.6	105.6	141.6	
HACT 8.91 GH/M3	2500	89.1	90.8	90.5	89.2	90.6	92.2	93.5	95.9	98.1	101.6	104.3	105.0	104.2	102.5	139.9	
(000291 KG/M3)	3150	87.6	89.5	89.6	90.0	91.2	91.8	93.1	94.9	97.4	101.2	101.3	103.2	102.4	100.4	138.8	
FRES. SHIFT	4000	85.0	87.0	87.8	88.1	89.7	90.4	92.0	94.3	96.6	99.7	99.1	100.4	98.9	97.1	136.9	
JET C	5000	83.9	85.6	85.7	86.7	88.2	89.2	91.2	93.2	96.2	98.9	97.6	98.5	96.6	93.5	135.6	
DIAMETER RATIO	6300	82.7	84.5	85.2	86.0	87.8	88.6	89.8	91.8	94.5	96.6	95.3	95.6	93.5	89.5	133.7	
DF/DH 1.00	8000	81.2	83.8	83.8	85.3	86.5	87.6	88.7	90.7	93.3	94.9	93.2	93.0	90.1	86.1	132.1	
	10000	79.6	82.0	83.1	84.4	85.3	86.0	87.1	89.1	91.2	92.5	90.7	89.8	86.8	82.9	130.3	
	12500	77.7	81.0	81.1	82.8	84.0	83.9	86.0	88.1	89.5	90.6	88.3	87.0	83.9	81.6	128.8	
	16000	75.3	78.6	79.1	79.9	82.1	82.4	84.0	85.7	87.2	86.1	85.8	84.3	81.3	78.9	126.9	
334	20000	73.1	76.6	76.3	78.1	79.4	79.8	81.7	83.0	84.8	85.6	83.8	82.0	79.1	76.6	125.0	
	25000	70.4	74.3	74.8	76.2	77.2	77.2	79.1	81.1	82.4	83.2	80.6	80.3	78.9	77.1	123.2	
	31500	67.5	71.0	71.3	73.0	73.3	74.9	76.2	77.9	78.8	80.5	77.9	78.8	77.8	76.0	121.0	
	40000	64.9	68.6	68.9	70.2	70.0	70.8	72.2	74.1	75.8	75.3	74.3	77.7	76.9	76.4	118.7	
	50000	63.3	66.0	66.0	67.3	67.2	67.0	69.0	73.2	73.0	72.9	72.9	79.8	79.4	79.3	119.5	
	63000	62.9	64.4	63.8	65.7	65.3	65.1	65.8	73.8	72.1	72.0	73.0	82.5	81.7	82.0	122.9	
	80000	63.0	62.1	61.4	64.2	64.2	64.0	64.3	75.5	72.2	73.4	74.5	84.5	83.2	83.7	127.5	
OVERALL MEASURED		102.0	102.5	102.9	102.6	103.2	103.9	105.5	107.3	109.7	113.2	115.5	120.5	121.6	121.6	155.0	
OVERALL CALCULATED		113.0	114.2	114.3	114.5	115.4	116.1	117.6	119.4	121.8	125.3	126.2	129.5	129.9	129.9		

REV. ALPHA 12/73	FREQ.	ANGLES FROM INLET IN DEGREES. (AND RADIANS)																PWL
		30.	40.	50.	60.	70.	80.	90.	100.	110.	120.	130.	140.	150.	160.			
NO EGA	59	76.1	76.6	78.6	77.2	77.0	76.6	77.1	80.3	79.4	87.6	84.8	90.5	94.8	102.5	130.1		
RCG. NO.	63	78.3	78.3	80.4	80.2	80.3	80.7	82.0	83.7	83.1	89.6	89.8	93.6	98.0	104.1	132.4		
RADIAL 40. FT.	80	81.6	82.4	83.3	82.6	82.5	83.2	84.6	86.1	86.3	91.6	93.0	97.4	99.5	105.6	134.7		
(12. M)	100	85.9	85.7	86.9	85.4	84.9	86.9	89.2	90.6	91.0	94.9	96.4	101.5	105.0	109.2	138.8		
VEHICLE JENOTS	125	88.5	87.5	87.7	88.5	87.7	90.0	92.4	93.2	94.2	98.5	99.2	103.9	108.5	111.0	140.8		
CONFIG JENOTS	150	94.2	93.7	91.2	91.4	90.9	93.4	94.9	95.7	97.9	100.7	101.9	106.2	109.1	111.1	142.5		
LCC EVENDALF	200	94.0	93.0	91.5	93.0	92.8	94.5	95.3	96.3	97.5	101.8	106.3	110.1	113.0	113.5	145.6		
DATE 64-21-75	250	95.5	94.8	96.3	95.0	94.0	95.3	95.3	97.3	102.5	104.0	110.3	112.5	115.7	112.9	147.8		
RUN DBTF-MODHL 7	315	97.0	95.5	96.3	97.0	97.3	97.5	96.0	100.8	100.8	106.5	113.0	113.6	118.2	117.3	150.2		
TAPE X73550	400	94.9	92.7	94.1	95.2	96.9	97.0	99.3	100.8	103.6	108.3	111.0	116.3	119.5	114.9	150.9		
BAR 29.9 HG	500	98.6	98.1	96.8	97.5	98.5	99.1	99.5	101.0	104.0	108.2	113.0	119.6	121.3	118.1	153.3		
(J1039, N/42)	630	99.8	100.7	100.0	99.0	99.2	99.5	101.0	103.9	105.9	110.2	117.2	121.8	123.4	119.1	155.5		
TAMB 59, DEG F	800	101.0	100.7	104.4	100.5	101.5	101.0	102.9	106.6	107.8	112.0	117.0	120.5	122.5	121.5	155.2		
(288, DEG K)	1000	103.8	100.4	102.8	101.4	101.0	102.7	104.2	106.9	108.7	113.1	117.5	121.2	122.1	119.4	155.2		
THET 53, DEG F	1250	103.8	102.4	102.4	102.6	103.0	103.2	105.7	107.5	109.5	113.4	117.6	122.3	121.7	117.5	155.4		
(285, DEG K)	1600	101.6	102.0	101.7	102.3	102.6	103.8	105.3	107.3	109.4	112.8	116.4	120.0	120.2	116.0	153.9		
HACT 8.91 GM/H3	2000	102.6	101.6	100.6	102.9	103.0	104.4	105.1	107.1	110.0	112.9	115.7	120.3	119.6	114.8	153.8		
(.00891 KG/H3)	2500	102.3	101.8	101.3	100.7	101.4	103.0	104.2	107.4	110.1	112.1	115.0	119.5	117.7	112.8	152.8		
FREQ. SHIFT	3150	101.8	101.9	101.3	101.5	101.6	102.8	104.0	107.1	109.3	111.9	114.9	118.6	116.3	111.6	152.2		
JET	4000	99.4	100.4	100.2	100.3	101.1	102.6	104.1	106.9	109.8	111.6	114.5	116.8	114.0	109.5	151.0		
DIAMETER RATIO	5000	99.2	101.3	100.4	100.6	103.8	102.3	104.3	107.3	110.3	111.5	114.5	116.1	113.0	108.3	150.9		
DF7DM 1.00	6300	98.7	100.5	100.5	101.8	102.4	102.7	103.4	106.3	108.8	110.6	113.3	114.4	112.1	107.1	149.9		
	8000	97.9	99.5	100.5	101.0	101.7	102.8	103.2	105.9	107.5	109.8	112.1	113.2	110.8	106.5	149.1		
	10000	97.4	100.1	100.4	101.2	101.9	101.8	102.9	105.2	107.1	108.6	110.8	111.4	109.4	105.2	148.4		
	12500	95.5	98.1	99.9	101.4	101.5	101.2	102.6	104.7	105.6	106.9	109.6	110.3	108.5	103.6	147.6		
	16000	93.6	96.7	97.9	99.5	100.9	100.7	101.0	103.5	104.6	105.7	108.1	109.2	106.9	101.8	146.8		
	20000	91.5	94.8	96.0	98.0	98.8	99.0	99.6	101.4	103.5	103.8	107.0	106.9	105.5	100.3	145.5		
335	25000	93.3	93.7	95.2	96.6	97.1	97.3	98.5	100.0	102.0	102.6	104.3	105.9	104.4	98.0	144.5		
	31500	88.2	91.5	92.8	94.3	94.3	96.4	96.7	98.9	99.6	100.5	103.2	104.3	103.1	96.5	143.4		
	40000	86.0	91.0	91.2	92.8	92.3	93.1	94.1	96.0	97.6	97.6	99.8	101.8	101.5	96.0	141.7		
	50000	83.9	86.8	89.1	90.6	89.5	91.1	92.4	93.3	94.8	96.0	98.7	100.2	100.3	94.6	141.0		
	63000	81.0	84.4	86.6	88.5	87.6	88.6	89.3	91.6	92.8	94.7	97.0	98.5	99.9	95.0	141.3		
	80000	77.1	79.7	83.8	85.8	85.3	86.9	86.7	89.9	89.6	93.3	90.6	98.4	95.9	95.6	143.5		
OVERALL MEASURED																		
OVERALL CALCULATED		113.1	113.2	113.7	113.8	114.2	115.0	116.3	118.8	121.0	123.7	127.5	131.2	131.7	128.7	165.5		
PND		125.6	125.7	125.6	125.7	126.0	127.1	128.4	131.1	133.5	136.0	139.4	142.8	142.1	138.6			

ORIGINAL PAGE IS OF POOR QUALITY

REV, ALPHA 12/73	FREQ.	ANGLES FROM INLET IN DEGREES (AND RADIANS)																PWL
		30	40	50	60	70	80	90	100	110	120	130	140	150	160	170	180	
NO EGA	50	72.6	73.3	74.6	74.7	74.5	74.8	74.6	76.3	76.9	84.6	79.8	85.5	87.8	101.7			128.6
REG, NG7 J	63	73.6	75.6	76.7	77.2	77.0	77.2	78.5	78.9	79.1	86.8	84.1	89.1	92.2	102.8			130.2
RADIAL 40 FT.	80	76.4	78.6	79.0	79.1	79.0	79.4	80.8	81.8	82.6	89.1	87.5	92.6	95.5	104.1			132.1
(12. M)	100	79.4	80.9	81.9	81.9	81.2	82.2	84.7	87.3	87.7	93.2	91.4	97.5	101.3	106.7			135.6
VEHICLE JENOTS	125	82.7	83.2	83.5	83.7	83.2	85.2	88.9	89.5	90.5	96.5	94.2	100.1	103.0	109.0			138.0
CCAFIG JE-354	160	86.2	86.2	86.4	86.7	86.7	89.4	91.6	91.7	95.4	97.2	96.4	100.1	103.0	109.0			139.3
LCC EVERDALE	200	90.0	91.0	86.8	88.3	88.5	91.5	91.3	92.3	95.5	98.3	101.1	106.9	110.0	112.8			143.0
DATE 04-15-75	250	93.8	91.3	90.3	91.3	90.8	91.3	92.3	93.8	100.4	101.9	103.9	109.0	112.2	111.4			144.6
RUN DBTF-MODEL 7	315	92.3	92.8	95.0	93.8	94.0	94.0	93.8	97.3	98.5	104.3	107.5	111.9	115.2	115.3			147.4
TIDE X7556	400	91.2	90.0	97.8	91.9	93.2	93.0	96.1	97.6	100.6	105.3	106.8	113.5	116.5	112.9			147.9
BAR 2979 HG	500	95.6	95.8	96.6	94.5	95.6	95.4	97.5	97.6	100.0	101.9	105.2	109.0	117.4	116.1			150.5
(01039, N/42)	630	96.3	97.7	96.7	95.7	96.2	95.5	98.6	98.6	100.4	103.2	107.2	112.9	119.1	117.3			152.4
TAMP 59 DEG F	800	98.4	98.2	98.6	97.5	98.5	97.5	99.7	102.9	104.3	109.0	112.5	118.0	118.7	119.0			152.0
(288, DEG K)	1000	99.6	99.9	99.8	97.9	98.8	99.4	101.2	103.1	105.6	110.3	114.2	118.4	118.8	116.9			152.2
TACT 53, DEG F	1250	100.0	99.2	99.4	99.0	99.0	99.2	102.4	103.9	105.2	109.9	114.1	119.0	117.9	115.2			152.0
(285, DEG K)	1600	97.8	98.7	98.4	98.3	98.8	100.0	101.9	103.2	105.6	109.0	112.1	116.2	116.1	113.0			150.0
HACT 8.91 GM/H3	2000	97.4	97.6	96.3	98.7	99.0	99.4	101.1	102.6	105.0	100.4	110.9	115.0	114.9	111.6			149.0
(.00891 KG/H3)	2500	95.1	96.8	96.8	96.7	96.9	98.0	100.0	101.7	104.6	108.4	108.8	113.5	112.7	109.8			147.5
FREQ. SHIFT	3150	94.4	96.7	96.3	96.5	97.4	97.9	99.3	101.4	104.1	107.4	107.7	111.7	111.1	108.4			146.3
JET J	4000	92.5	94.3	94.3	94.9	95.0	97.9	98.7	101.0	103.9	106.2	105.9	109.1	108.9	106.6			144.7
DIAMETER RATIO	5000	91.6	94.1	93.7	94.5	95.4	97.0	98.9	100.9	103.5	105.9	105.8	108.5	108.1	105.7			144.3
DF/DM 1.00	6300	90.9	93.3	93.9	95.0	95.1	95.9	97.6	100.3	102.5	104.9	104.3	106.9	107.0	104.3			143.2
	8000	90.7	93.3	93.5	94.3	95.8	95.8	96.5	99.2	101.3	103.7	102.9	105.7	106.4	104.1			142.5
	10000	90.1	92.8	93.3	94.1	94.6	94.7	95.8	98.4	100.5	102.0	102.0	104.3	105.0	103.1			141.7
	12500	88.9	92.0	92.3	92.8	94.7	93.7	95.0	97.1	98.5	100.6	100.3	103.0	103.7	101.6			140.7
	16000	87.6	90.9	91.6	91.9	93.1	92.4	94.2	95.5	97.5	98.4	98.5	100.8	101.8	99.4			139.4
	20000	85.6	88.9	89.3	91.1	91.9	90.6	92.2	93.7	96.3	96.6	96.5	99.5	100.3	97.4			138.2
	25000	83.4	87.1	88.3	89.7	90.5	89.7	90.6	92.4	93.6	94.4	94.4	97.3	98.9	95.8			136.9
	31500	83.2	84.5	85.6	87.5	87.8	87.6	88.7	90.2	91.1	92.5	92.9	95.0	96.8	93.7			135.3
	40000	78.2	81.9	82.9	84.4	84.7	84.3	85.5	86.9	88.5	89.1	89.3	92.4	93.9	91.6			133.1
	50000	75.3	79.0	80.5	81.8	81.7	82.0	82.8	85.2	85.5	88.1	87.9	91.8	93.2	91.5			132.8
	63000	73.7	76.4	77.3	78.5	78.3	78.1	79.3	84.8	84.3	87.7	86.0	93.0	93.7	92.7			134.6
	80000	73.0	73.4	73.4	75.2	75.4	75.5	76.6	85.3	82.7	89.4	85.5	93.7	94.5	93.7			138.1
OVERALL MEASURED																		
OVERALL CALCULATED		108.3	108.8	109.2	108.9	109.5	109.9	111.7	113.8	116.1	119.6	122.4	127.4	128.0	126.4			161.4
PND8		119.7	120.8	120.9	120.9	121.6	122.2	123.8	125.9	128.4	131.8	133.1	137.5	137.8	135.8			

REV, ALPHA 12/73	FREQ.	ANGLES FROM INLET IN DEGREES (AND RADIANS)																	PWL
		30	40	50	60	70	80	90	100	110	120	130	140	150	160	(0)	(0)	(0)	
NO EGA	50	70.8	72.1	74.4	72.7	73.5	74.8	75.1	74.5	75.6	76.8	77.8	82.5	84.6	100.9				127.1
RDG. NO. 0	63	72.3	73.6	75.4	75.0	75.3	76.2	76.8	76.4	76.9	78.6	78.9	84.9	84.2	101.3				128.2
RADIAL 40 FT. (12 M)	80	73.6	75.9	77.5	76.9	76.5	76.9	79.1	78.3	79.6	81.6	84.2	89.1	91.5	102.1				129.5
VEHICLE JENOTS	100	76.7	77.9	79.2	78.4	78.4	79.7	82.5	83.1	84.2	85.7	87.4	93.5	97.0	105.2				133.0
COAFIG JE-354	125	80.0	80.7	80.7	81.0	81.0	82.7	85.4	85.7	87.7	89.2	90.7	96.4	98.8	106.3				134.6
LCC EVENDALE	160	85.2	83.7	83.4	83.9	84.4	86.7	88.6	88.2	91.9	92.0	94.4	99.7	102.4	106.6				136.5
DATE 04-15-75	200	86.3	87.3	84.0	85.8	87.0	88.0	88.8	89.5	92.0	95.3	98.6	104.1	106.7	110.8				140.4
RUN CBTF-MODEL 7	250	87.5	88.3	87.8	88.8	88.3	88.8	89.8	90.8	97.3	98.8	102.9	106.0	110.3	110.1				142.4
TAPE X70570	315	90.3	89.8	92.8	91.3	91.3	91.5	90.8	94.8	96.5	102.8	105.8	107.6	112.7	113.5				145.0
BAR 29.9 HG	400	88.9	88.0	93.3	89.9	90.7	90.2	93.6	94.1	97.3	101.8	102.8	109.9	112.5	109.6				144.2
(01039 N/M2)	500	93.3	94.3	94.1	91.5	92.7	92.6	95.2	97.3	99.9	103.7	108.0	116.9	118.1	114.4				149.8
TAMB 59 DEG F	630	94.6	95.2	94.7	93.7	94.2	93.5	96.1	98.1	100.4	104.9	109.7	115.8	115.6	115.5				149.1
(288 DEG K)	800	95.7	96.6	96.6	95.9	95.8	94.8	97.8	100.4	102.3	107.4	111.5	117.3	116.7	117.1				150.5
TWET 53 DEG F	1000	98.1	96.6	97.3	96.1	96.0	97.2	98.9	100.8	102.6	107.3	111.0	115.2	115.1	114.7				149.0
(285 DEG K)	1250	96.5	96.9	97.1	96.5	97.0	97.2	99.8	101.4	102.4	108.1	112.6	117.5	116.2	113.2				150.3
HACT 8.91 GM/M3	1600	95.8	97.0	96.4	96.8	96.8	97.7	99.8	100.7	103.1	106.5	111.3	115.5	115.4	112.0				149.0
(100891 KG/M3)	2000	96.9	96.4	94.8	97.4	97.5	97.4	98.3	100.4	103.0	106.4	109.4	114.3	114.1	110.3				147.8
FREQ. SHIFT	2500	93.8	95.1	95.0	94.5	94.9	95.7	97.7	99.4	102.3	105.6	106.8	112.5	110.4	107.0				145.6
JET	3150	91.9	93.5	93.6	94.3	94.7	95.6	96.8	98.9	101.1	105.4	106.2	110.4	109.1	104.7				144.4
DIAMETER RATIO	4000	89.5	91.5	91.8	92.4	93.2	93.9	95.7	98.0	100.9	104.2	104.1	108.6	106.1	101.8				142.6
DE/DH 1.00	5000	87.9	89.4	90.2	90.7	91.9	93.2	95.4	97.7	100.5	102.9	102.8	106.5	103.6	98.7				141.1
337	6300	85.9	88.5	88.7	90.0	91.1	92.4	93.8	96.3	99.0	101.4	101.0	103.9	100.5	95.0				139.2
	8000	84.5	87.8	88.5	89.5	90.3	91.1	92.7	95.4	97.3	99.7	98.7	101.7	98.4	92.9				137.6
	10000	82.8	86.5	86.6	88.4	89.6	89.5	91.3	93.6	96.5	97.8	96.5	98.6	95.3	90.4				135.9
	12500	81.2	84.5	85.6	86.6	88.0	87.9	90.2	92.1	94.5	95.9	95.0	96.2	93.2	89.6				134.5
	16000	78.6	82.6	83.6	84.9	86.3	86.9	89.2	91.0	92.7	93.9	92.3	93.8	89.8	85.9				132.9
	20000	76.6	80.4	81.8	83.1	83.6	84.6	86.2	88.5	91.3	92.1	90.3	91.5	88.1	83.6				131.3
	25000	74.4	78.8	79.6	81.0	81.5	82.2	84.6	86.4	88.6	90.4	87.4	90.3	87.9	86.1				129.9
	31500	71.7	75.8	76.8	78.0	78.3	79.4	81.2	83.4	84.6	87.3	85.2	88.8	87.1	85.0				127.9
	40000	69.4	73.1	74.4	75.4	75.5	75.8	77.5	79.6	82.0	82.8	81.8	86.4	85.6	85.9				126.0
	50000	68.8	72.0	72.0	73.3	72.9	73.2	74.8	76.5	80.0	82.9	81.1	88.8	87.2	88.8				127.7
	63000	70.2	71.4	70.5	72.2	72.3	72.1	73.0	75.6	80.1	85.0	82.3	91.2	90.4	91.8				131.7
	80000	71.5	71.9	70.2	72.2	73.4	72.5	73.6	78.8	81.7	87.9	83.7	93.5	92.2	93.2				136.8
OVERALL MEASURED																			159.2
OVERALL CALCULATED		105.8	106.3	106.5	106.3	106.7	107.1	109.1	110.9	113.3	117.2	120.3	125.6	125.6	124.4				
PND8		117.4	118.1	118.2	118.5	118.8	119.6	121.2	123.1	125.6	129.3	131.1	135.9	135.6	133.8				

ORIGINAL PAGE IS OF POOR QUALITY

MODEL SOUND PRESSURE LEVELS (59, DEG. F, 76 PERCENT REL. HUM. DAY - JENOTS)

ANGLES FROM INLET IN DEGREES (AND RADIANS)

REV.	ALPHA 12/73	FREQ.	(0.52)	(0.70)	(0.87)	(1.05)	(1.22)	(1.40)	(1.57)	(1.75)	(1.92)	(2.09)	(2.27)	(2.44)	(2.62)	(2.79)	(3.0)	(3.14)	(3.49)	(3.77)	PWL
		50	76.6	77.1	78.9	77.2	78.6	77.3	77.9	84.0	79.6	90.6	85.0	93.3	92.1	101.5					130.2
	NO EGA	63	79.6	78.6	80.9	81.0	81.3	81.2	82.0	84.7	82.4	92.1	89.1	96.1	96.5	103.1					132.4
	REG. NO.	80	82.1	83.4	83.8	82.9	82.3	83.2	84.8	86.8	86.1	93.6	92.5	98.6	99.0	105.9					135.1
	RADIAL 4. FT.	100	86.2	85.2	86.7	85.4	85.9	87.4	89.0	91.1	91.0	97.4	96.2	102.8	105.3	108.7					139.0
	(12. M)	125	88.7	88.2	88.0	88.5	87.7	89.7	92.2	93.5	94.2	100.2	99.7	105.4	106.8	110.8					141.2
	VEHICLE JENOTS	160	94.2	91.2	91.4	91.9	91.4	93.4	95.6	96.4	98.4	102.9	102.7	108.2	109.9	111.4					143.5
	CONFIG JET 95	200	95.2	94.5	92.0	93.3	92.8	95.5	95.3	96.8	99.0	103.0	107.1	111.1	114.0	114.9					146.7
	LCC EVE DALE	250	96.0	95.5	96.8	94.8	94.5	95.3	95.5	97.5	102.8	104.8	110.5	113.5	116.4	113.9					148.5
	DATE 04-21-75	315	97.3	95.8	96.6	97.8	96.5	97.5	96.3	100.8	101.3	107.8	113.5	116.3	118.2	117.3					150.4
	FUN DBTF-MODEL 7	400	95.9	93.5	94.3	96.2	97.2	97.2	99.3	101.1	103.6	107.8	111.5	116.3	119.7	114.6					151.0
	TAPE X76880	500	99.6	98.8	99.1	97.6	98.2	99.4	101.7	104.2	105.9	108.9	115.0	121.4	122.6	119.3					154.7
	CAR 29.9 HG	630	100.8	101.5	101.0	99.5	100.0	99.8	101.9	104.1	107.2	110.7	118.7	122.6	123.9	118.8					156.1
	(1039, N/M2)	800	102.5	101.4	104.6	101.3	101.0	102.0	103.4	107.1	108.3	112.2	119.0	123.3	123.0	121.2					156.7
	TAMB 59, DEG F	1000	104.3	101.9	103.5	101.9	102.3	103.2	104.9	107.6	109.4	113.6	119.7	124.4	123.0	119.2					155.7
	(288, DEG K)	1250	104.0	103.7	103.1	103.3	103.0	104.2	105.9	107.7	109.7	113.7	121.1	124.0	122.1	117.0					156.7
	TMET 53, DEG F	1600	102.0	103.8	103.0	102.8	103.1	104.3	105.8	107.8	110.1	113.3	118.9	121.8	119.7	115.0					154.9
	(285, DEG K)	2000	103.7	102.4	101.4	104.0	103.5	104.4	105.1	107.9	110.1	112.7	117.7	121.6	119.4	114.4					154.5
	HACT 8.91 GH/M3	2500	102.9	102.9	102.1	101.0	102.0	103.3	104.8	107.5	109.9	112.4	116.1	120.3	117.3	112.6					153.3
	(.00891 KG/M3)	3150	102.2	102.8	102.2	102.6	102.3	103.0	104.2	106.5	109.7	112.0	115.6	119.3	116.2	110.9					152.5
	FREQ. SHIFT	4000	99.9	101.2	101.2	101.5	101.4	102.8	103.9	107.2	109.3	111.4	115.0	117.0	113.8	109.0					151.2
	JET C.	5000	98.6	100.3	100.4	100.9	101.3	102.9	104.3	107.1	109.4	110.8	114.8	116.7	112.6	108.1					150.9
	DIAMETER RATIO	6300	98.1	100.0	100.0	101.3	101.5	102.4	103.3	106.5	109.0	110.1	113.5	115.6	111.5	106.7					150.1
	DF/DM 1.00	8000	97.3	99.1	99.6	101.3	101.6	101.9	103.3	106.0	107.6	109.0	113.0	113.8	110.9	105.9					149.4
		10000	96.0	98.7	99.7	100.7	101.7	101.6	102.2	105.3	107.6	108.4	111.4	113.0	109.4	103.3					148.8
		12500	94.6	97.7	98.8	100.2	100.9	100.6	101.7	104.3	106.0	107.3	110.0	112.2	108.9	103.8					148.1
		16000	92.5	95.5	97.3	98.6	100.2	99.8	100.9	103.1	104.2	105.8	108.2	110.5	106.8	101.6					146.9
		20000	90.5	93.6	95.0	96.6	98.1	98.3	99.1	100.9	103.3	103.5	106.7	108.4	105.2	99.5					145.5
		25000	88.4	92.4	93.6	95.8	95.3	96.8	97.2	99.4	100.7	103.3	103.9	106.4	103.2	97.4					143.9
		31500	85.9	88.7	90.8	92.7	92.0	94.6	95.2	97.4	97.8	99.5	102.1	103.7	101.3	94.9					142.2
		40000	84.0	87.2	89.2	90.8	89.8	91.4	92.1	93.7	95.4	96.4	98.6	101.3	99.7	93.2					140.2
		50000	81.1	84.3	87.1	88.4	87.3	88.6	89.6	91.5	93.1	95.5	97.5	100.4	97.5	92.6					139.7
		63000	77.8	80.8	84.4	84.4	84.9	85.9	86.9	89.5	90.7	95.6	96.2	97.6	96.8	93.4					140.0
		80000	75.5	77.1	82.4	84.7	84.2	85.3	85.6	88.5	87.4	96.9	95.7	98.0	96.7	94.4					143.1
	OVERALL MEASURED																				
	OVERALL CALCULATED		113.6	113.7	114.0	114.1	114.3	115.1	116.4	119.0	121.1	123.9	129.2	132.4	131.9	128.6					166.2
	PND8		126.1	126.3	126.2	126.5	126.4	127.3	128.5	131.3	133.6	136.2	140.4	143.8	148.0	138.2					

REV. ALPHA 12/73	FREQ.	ANGLES FROM INLET IN DEGREES (AND RADIANS)																PWL
		30.	40.	50.	60.	70.	80.	90.	100.	110.	120.	130.	140.	150.	160.	170.	180.	
NO EGA	50	76.6	76.3	76.6	74.9	75.0	75.6	76.6	78.8	77.6	87.1	82.8	90.3	89.8	101.3			129.1
REG. NO.	80	78.3	78.3	79.7	78.5	78.5	78.4	80.0	80.9	81.1	88.6	87.6	93.1	94.0	102.6			130.9
RADIAL 40 FT.	100	80.6	81.4	81.5	79.6	80.0	81.4	82.3	84.1	84.1	90.6	90.5	96.1	97.3	104.4			133.2
(12. M)	125	83.4	82.7	84.7	84.2	83.4	85.2	87.5	88.8	89.0	93.9	94.4	101.0	103.3	106.9			137.0
VEHICLE JENOTS	150	87.0	86.6	85.7	86.2	85.0	87.5	90.4	91.2	92.0	97.0	97.5	103.1	104.8	109.0			139.1
CCNFIG JSR.55	200	92.7	68.9	88.7	89.2	88.7	91.4	92.9	94.7	96.2	99.9	99.9	104.9	106.9	109.6			140.9
LCC EVEADALE	250	93.3	91.5	89.8	91.0	90.3	93.0	93.8	94.5	96.5	101.0	104.6	108.4	110.5	112.5			143.9
DATE 4-21-75	315	94.3	93.0	94.0	93.5	92.5	93.5	94.3	95.5	101.0	102.8	108.5	111.0	114.2	112.1			146.3
RLK DBTF-MODEL 7	400	95.8	93.8	95.3	96.5	95.3	95.7	95.0	99.0	101.0	104.5	111.3	112.6	116.2	117.0			148.9
TAPE X7.590	500	93.9	91.0	92.6	93.7	95.2	95.0	97.9	99.3	101.3	106.3	109.3	115.0	118.0	113.6			149.4
BAR 29.9 HG	600	97.3	97.3	97.6	95.8	96.5	97.9	97.7	102.5	104.2	107.2	113.0	119.4	120.3	117.3			152.6
(01.39. N/M2)	800	98.1	99.7	99.0	97.5	98.0	97.8	100.1	102.1	105.2	109.2	117.0	121.6	122.4	117.6			154.7
TAMB 59. DEG F	1000	100.0	99.4	103.1	99.8	100.0	100.3	101.4	105.4	106.8	111.5	117.5	121.0	120.7	120.0			154.6
(288. DEG K)	1250	102.3	100.4	101.5	100.4	101.5	101.4	102.9	105.6	107.4	112.1	118.7	120.9	120.9	118.4			154.8
THET 53. DEG F	1600	102.5	101.2	101.9	101.6	101.7	102.5	104.4	105.7	107.2	112.2	119.9	122.8	119.4	116.2			155.3
(285. DEG K)	2000	101.8	102.0	101.0	101.3	100.9	102.8	103.6	105.5	107.9	112.0	117.6	120.0	118.2	114.3			155.3
FACT 8.91 GM/M3	2500	102.4	101.2	99.9	102.2	101.5	102.4	102.9	105.2	108.3	111.2	116.2	119.6	117.2	112.4			152.6
(.01891 KG/M3)	3150	101.9	101.2	101.4	100.3	100.2	101.0	102.3	105.0	107.7	110.2	114.4	117.8	115.0	111.4			151.1
FREQ. SHIFT	4000	100.5	101.1	100.4	101.1	100.8	101.5	101.7	104.5	107.0	110.0	113.6	115.8	114.0	109.8			150.0
JET	5000	98.7	99.9	99.0	100.0	99.9	101.3	101.9	104.2	106.3	108.9	112.3	114.0	111.8	108.0			148.7
DIAMETER RATIO	6000	97.5	95.8	98.7	99.1	99.1	100.6	101.3	104.3	106.6	108.5	111.0	113.2	110.8	107.6			148.0
DF/DM. 1.00	8000	95.9	98.0	98.2	99.0	99.5	100.4	100.8	103.3	105.5	107.3	109.5	112.1	110.0	106.2			147.1
	10000	95.0	97.3	97.1	98.3	99.1	100.1	100.0	103.2	104.6	106.5	108.7	110.5	108.7	106.2			146.3
	12500	94.5	95.9	96.9	98.6	98.2	98.9	99.0	101.8	103.9	105.1	107.4	109.7	107.7	105.0			145.6
	16000	92.4	94.9	95.8	97.2	97.4	97.9	98.7	101.0	102.0	103.8	106.6	108.2	106.4	103.3			144.6
	20000	90.5	93.3	94.0	95.8	96.2	96.3	97.9	99.6	100.7	102.3	104.5	107.5	105.0	101.4			143.8
	25000	88.5	91.3	92.8	93.8	94.3	94.3	95.4	97.4	99.0	99.5	102.2	104.7	102.7	99.3			141.9
	31500	86.4	89.6	90.4	92.0	92.3	92.8	93.9	95.2	96.4	97.7	99.4	102.6	101.4	97.9			140.4
	40000	83.4	86.7	87.5	89.5	88.8	90.9	91.2	93.4	93.5	95.5	97.1	100.2	99.3	95.4			138.6
	50000	81.0	84.2	85.5	87.0	85.8	87.1	88.1	90.0	91.1	91.9	93.1	97.3	96.2	93.3			136.9
	63000	77.9	82.1	82.6	84.4	82.8	85.1	86.4	87.8	87.8	90.2	93.0	96.2	95.5	92.9			135.9
	80000	76.3	78.3	79.7	81.1	79.7	80.9	84.2	86.5	85.7	89.3	92.9	95.1	95.3	92.4			135.8
		75.0	74.9	76.2	77.4	76.7	78.0	84.3	86.8	84.4	89.7	94.2	96.0	95.7	93.9			140.5
OVERALL MEASURED		112.0	111.9	112.1	112.2	112.1	113.1	114.0	116.5	118.6	121.9	127.3	130.6	130.0	127.4			164.3
OVERALL CALCULATED		124.5	124.6	124.4	124.7	124.6	125.5	126.2	128.7	131.0	134.2	138.3	141.4	140.0	137.1			

ORIGINAL PAGE IS OF POOR QUALITY

REV, ALPHA 12/73	FREQ.	ANGLES FROM INLET IN DEGREES (AND RADIANS)																PHLI
		30, (0.52)	40, (0.70)	50, (0.87)	60, (1.05)	70, (1.22)	80, (1.40)	90, (1.57)	100, (1.75)	110, (1.92)	120, (2.09)	130, (2.27)	140, (2.44)	150, (2.62)	160, (2.79)	180, (3.14)	270, (4.71)	
NO EGA	50	72,3	74,6	75,9	76,2	76,5	75,1	74,9	76,0	76,6	88,8	81,0	85,5	87,3	102,0		129,1	
RCG, NO. 0	63	74,3	75,8	77,7	78,2	78,3	76,9	78,3	79,2	79,9	90,1	83,8	89,1	91,2	102,6		130,2	
RADIAL 40 FT	80	75,9	78,6	79,0	79,4	79,8	79,7	81,3	85,8	82,3	92,4	87,5	92,6	95,0	104,4		132,4	
(12, 4)	100	79,9	80,9	82,2	82,2	81,9	82,7	85,0	86,3	87,5	96,4	91,4	97,8	101,3	107,7		136,4	
VEHICLE JENOTS	125	83,0	83,9	83,2	84,2	83,7	84,7	87,9	89,2	90,5	99,0	94,2	99,9	102,5	108,8		137,9	
CONFIG JET 1054	160	88,4	86,7	86,7	87,2	86,9	89,4	91,4	91,4	94,7	99,7	96,9	102,7	105,4	109,4		139,6	
LOC EVELDALE	200	89,5	89,8	87,0	88,8	88,5	90,8	91,5	92,3	95,5	99,5	101,3	107,3	109,2	112,8		143,0	
DATE 04-15-75	250	90,5	90,8	89,8	91,3	90,0	92,4	93,4	93,8	99,8	101,8	105,9	108,8	112,2	112,5		144,7	
RUN DBTF-MODEL 7	315	92,8	92,8	94,0	94,0	93,8	93,5	93,8	97,3	98,5	104,8	107,5	110,6	115,7	115,3		147,4	
TARE X70600	400	91,9	90,7	96,8	92,4	92,9	93,5	96,3	97,8	100,1	105,6	106,3	114,0	116,2	113,1		148,0	
BAR 29.9 HG	500	96,3	96,8	96,3	94,0	95,2	95,9	97,7	100,5	101,9	106,4	110,0	119,1	119,3	115,3		151,0	
(01039, N/42)	630	96,8	98,4	97,4	96,2	96,7	96,5	99,1	100,4	103,4	108,4	114,2	120,6	119,9	117,3		153,1	
TAMB 89, DEG F	800	97,7	98,9	100,8	98,5	98,5	98,3	100,8	104,1	105,7	110,8	115,2	120,9	119,5	119,0		153,3	
(288, DEG K)	1000	99,8	99,1	100,0	99,4	99,5	99,7	101,9	104,9	106,4	111,8	117,0	119,9	118,1	116,4		153,4	
TWET 53, DEG F	1250	100,7	100,4	100,9	100,5	100,5	100,7	103,4	104,9	106,7	112,1	118,1	122,5	118,4	115,4		153,4	
(285, DEG K)	1600	99,8	101,0	100,4	100,3	100,3	101,7	103,0	104,7	106,6	111,0	117,1	120,7	118,4	113,3		153,1	
HACT 8.91 GM/M3	2000	100,9	100,4	99,8	101,7	101,5	101,6	102,3	104,4	106,8	111,4	115,9	120,8	117,9	113,5		151,0	
(,00891 KG/M3)	2500	99,1	100,1	100,3	99,7	99,4	99,7	101,5	104,4	106,8	110,6	113,3	118,7	114,4	109,9		149,9	
FREQ. SHIFT	3150	97,9	99,5	99,1	99,3	98,9	99,6	100,6	103,4	105,9	109,9	112,7	116,4	112,6	107,4		147,8	
JET 0	4000	95,8	98,0	97,8	97,9	98,0	98,9	100,2	102,8	105,4	108,7	110,9	114,4	109,1	103,8		147,1	
DIAMETER RATIO	5000	93,9	96,1	96,5	97,7	97,9	98,2	99,9	102,7	105,7	108,1	110,3	113,5	107,9	102,2		145,5	
DF/CM 1.00	6300	91,7	94,5	95,2	96,0	97,3	98,1	99,1	101,1	104,2	106,6	108,3	111,4	106,3	99,3		144,4	
	8000	90,2	93,3	93,8	95,0	96,5	96,6	98,5	100,2	102,5	105,2	107,2	110,0	104,4	97,6		143,0	
	10000	88,8	91,3	92,3	94,1	94,8	95,0	96,8	99,4	101,5	103,3	105,5	108,1	102,3	95,9		141,5	
	12500	86,7	89,3	90,8	92,1	93,0	93,4	95,7	98,1	99,5	101,6	103,5	106,0	99,9	93,8		140,1	
	16000	84,3	87,6	88,9	89,9	92,1	91,9	94,5	96,5	98,2	99,1	101,3	104,6	97,6	90,7		138,5	
	20000	81,8	85,6	86,6	88,4	89,6	89,8	91,7	94,5	96,6	97,3	99,3	102,5	94,8	88,1		137,0	
340	25000	79,9	83,8	84,8	86,2	87,0	87,0	89,6	91,4	94,1	95,7	97,4	100,5	93,4	88,1		135,2	
	31500	76,7	80,8	81,3	83,3	83,6	84,6	86,2	89,4	90,3	92,5	96,2	98,3	91,6	86,0		133,0	
	40000	74,4	77,9	79,1	80,7	80,7	81,0	82,5	85,1	87,3	88,3	93,3	95,7	89,4	86,9		133,5	
	50000	72,5	75,2	76,5	77,8	77,4	77,7	79,5	83,2	83,5	87,4	93,9	95,1	89,2	88,8		135,2	
	63000	71,9	73,4	73,3	75,3	74,5	74,6	75,5	83,4	82,3	87,7	93,5	94,2	90,7	91,5		139,4	
	80000	72,8	71,9	71,4	74,2	74,2	73,3	74,6	85,3	82,4	89,4	94,7	95,0	92,2	93,7			
OVERALL MEASURED																		
OVERALL CALCULATED		139,5	110,3	110,6	110,4	110,6	111,0	112,8	115,0	117,3	121,5	125,7	130,3	128,6	126,3		163,3	
PND8		121,7	122,9	123,0	123,0	123,0	123,6	125,0	127,4	129,8	133,9	137,0	141,5	139,1	135,6			

REV, ALPHA 12/73	FREQ.	ANGLES FROM INLET IN DEGREES (AND RADJANS)															PWL		
		30	40	50	60	70	80	90	100	110	120	130	140	150	0	0		0	
NO EGA	50	72.6	72.8	74.4	73.7	74.6	74.8	74.6	78.8	75.9	90.6	82.0	90.8	87.8	101.7				129.4
REG. NO.	63	75.1	75.1	76.4	76.5	77.5	79.2	79.5	81.7	80.4	93.3	88.3	93.9	92.2	102.3				131.2
RACIAL (12.4)	80	77.9	78.9	79.5	79.6	79.5	79.9	81.3	82.3	82.8	94.9	89.0	96.1	95.0	103.6				132.8
VEHICLE JENOTS	100	82.4	82.4	83.2	82.2	81.9	83.7	86.0	87.3	87.8	98.2	93.2	100.3	100.8	106.2				136.3
CCAFIC JENOTS	125	85.2	84.2	84.7	85.5	84.7	87.5	88.9	90.0	90.7	100.5	95.7	102.4	101.8	107.8				138.2
LCC EVENTALE	160	91.4	86.4	87.9	88.9	88.4	90.9	92.6	93.2	95.4	102.4	99.2	103.9	104.4	108.6				140.1
DATE 14-21-75	200	91.3	91.8	88.8	90.8	90.0	93.0	93.5	94.3	95.8	100.5	103.5	107.8	110.3	112.4				143.1
RUN DBTF-MODEL 7	250	93.0	93.8	92.0	92.8	92.6	93.5	94.3	95.8	100.0	106.0	112.0	111.9	115.7	115.5				145.3
TARE X76700	315	95.3	93.8	95.0	95.8	96.5	96.0	96.0	98.8	100.0	106.0	112.0	111.9	115.7	115.5				148.5
EAR 29.9 HG	400	93.9	91.5	94.1	94.7	95.7	95.7	97.8	99.1	101.8	107.1	109.5	113.8	117.2	112.9				148.7
(C1039, N/42)	500	95.1	97.8	97.3	96.8	97.5	97.6	99.2	102.5	104.4	108.9	114.0	119.9	120.6	116.8				153.0
TARE 59, DEG F	600	101.3	101.0	100.0	99.2	99.2	99.0	100.9	103.1	105.9	110.7	117.7	121.6	122.2	117.6				154.9
(288, DEG K)	800	101.7	100.4	102.0	101.0	101.3	100.8	102.7	105.4	107.7	112.8	116.2	121.3	121.0	120.0				155.0
TARE 53, DEG F	1000	104.3	101.4	102.0	101.7	101.5	102.2	103.9	106.4	108.7	114.6	119.5	120.4	119.6	117.2				154.7
(285, DEG K)	1250	103.5	103.2	102.6	102.3	103.2	103.0	104.7	106.7	108.7	113.9	120.6	122.3	119.2	116.4				155.5
TARE 8.91 GM/M3	1600	101.8	102.3	102.0	102.3	102.1	103.5	105.1	106.5	109.1	113.0	118.6	119.8	118.4	115.3				153.9
(.00891 KG/M3)	2000	102.9	102.2	100.6	102.7	103.3	103.7	104.6	106.7	109.6	113.2	118.0	120.1	118.2	113.9				153.8
FREQ. SHIFT	2500	101.7	101.4	101.1	100.6	101.2	102.8	104.3	106.5	110.2	112.7	116.4	119.1	116.3	112.6				152.7
JET 0	3150	101.0	100.8	100.4	100.9	101.0	102.8	103.4	106.3	109.5	112.5	116.1	118.3	114.7	110.5				152.0
DIAMETER RATIO	4000	98.4	100.9	99.5	99.8	100.9	101.8	103.4	106.2	109.8	111.9	114.8	116.0	112.3	108.7				150.7
DF/CM 1.00	5000	98.3	100.8	100.4	99.9	100.8	101.1	103.3	106.3	109.9	111.5	114.3	115.4	111.6	107.9				150.4
13000	6000	95.5	99.6	100.1	101.3	102.1	102.9	104.0	107.5	108.3	109.7	112.7	113.0	109.9	105.7				149.6
12500	8000	95.0	98.9	99.4	101.0	101.9	102.4	104.7	107.8	107.4	108.6	111.4	111.5	109.2	105.3				148.8
16000	10000	93.4	98.2	99.3	100.0	101.1	101.9	103.9	106.0	105.7	107.6	110.2	110.7	108.1	103.8				148.0
20000	12500	88.8	94.6	96.0	97.6	98.8	99.0	100.4	102.7	103.3	104.5	106.4	107.4	104.5	100.0				147.2
25000	16000	86.7	92.9	94.4	96.3	97.8	97.8	99.2	101.2	101.2	102.7	104.7	105.3	103.4	98.4				144.4
31500	20000	84.2	90.7	91.8	93.7	93.5	95.9	97.4	99.1	98.5	100.5	102.6	104.0	101.5	96.2				143.0
40000	25000	82.5	87.7	89.5	91.5	91.3	92.9	93.6	96.0	96.4	97.4	99.9	100.8	99.0	94.7				140.0
50000	31500	79.6	85.1	86.8	88.9	88.0	90.3	91.9	94.0	93.8	96.2	97.2	98.7	97.5	92.9				139.8
63000	40000	76.8	81.5	83.7	85.6	84.9	87.7	88.9	91.7	91.7	95.6	96.7	97.4	96.1	92.9				140.3
80000	50000	75.5	77.1	79.9	81.7	81.2	86.0	86.8	90.3	88.9	95.7	96.7	97.5	96.5	93.9				142.9
OVERALL MEASURED																			
OVERALL CALCULATED		112.7	113.1	113.1	113.4	114.0	114.6	116.2	118.6	120.7	124.2	128.7	130.9	129.9	127.2				165.1
PNRB		124.8	125.2	124.8	125.2	125.5	126.6	127.8	130.4	133.2	136.5	140.2	142.4	140.4	137.6				

ORIGINAL PAGE IS OF POOR QUALITY

MODEL SOUND PRESSURE LEVELS (59, DEG. F, 70 PERCENT REL. HUM. DAY - JENOTS)

REV. ALPHA 12/73	FREQ.	ANGLES FROM INLET IN DEGREES (AND RADIAN)																	PWL
		33	40	55	60	70	80	90	100	110	120	130	140	150	160	0	0	0	
NO EGA	63	66.8	67.3	67.4	67.9	68.0	68.3	66.6	68.8	68.9	72.1	75.3	78.0	80.8	81.9	85.0	87.8	98.9	124.8
NO. 0	30	69.3	69.6	70.9	71.5	71.8	71.9	72.5	73.2	72.6	75.6	79.1	81.9	85.0	87.8	97.8	98.4	98.4	124.7
RADIAL 40 FT	120	72.4	73.1	73.3	73.1	73.0	73.2	75.1	75.8	76.3	78.9	82.2	85.9	88.5	98.4	98.4	98.4	98.4	126.0
(12.4)	125	75.4	74.9	75.9	76.4	75.9	77.2	79.5	85.6	81.0	82.4	85.7	89.8	94.3	100.4	100.4	100.4	100.4	128.9
VEHICLE JENOTS	150	78.7	78.9	78.0	78.0	77.2	80.7	82.7	84.0	84.7	86.2	89.2	92.4	95.5	102.9	102.9	102.9	102.9	131.1
CCNFIG JENOTS	200	84.2	81.7	81.2	81.9	81.9	84.7	86.6	86.4	88.9	89.7	91.9	94.9	97.4	103.1	103.1	103.1	103.1	132.8
LCC EVELDALE	250	84.8	84.8	82.0	84.3	83.5	86.5	87.0	87.8	89.3	92.0	95.8	99.4	101.7	107.0	107.0	107.0	107.0	136.5
DATE 64-21-75	315	87.5	87.3	86.5	86.5	86.3	87.3	88.3	89.0	94.3	94.5	100.0	102.3	105.9	105.6	105.6	105.6	105.6	138.4
RLN DBTF-MODEL 7	400	89.3	87.8	88.3	89.3	89.0	89.5	88.8	92.3	92.5	96.8	104.0	105.1	109.2	110.5	110.5	110.5	110.5	141.9
TAPE 270710	500	87.9	85.7	86.8	87.9	89.2	89.0	91.3	92.9	95.3	98.3	101.7	103.7	110.7	108.6	108.6	108.6	108.6	142.3
BAR 29.9 HR	630	92.8	91.3	91.1	89.8	91.2	91.1	93.5	95.7	97.2	99.7	105.0	112.4	114.3	109.3	109.3	109.3	109.3	145.8
(J1139, N/42)	800	94.1	93.0	93.0	91.7	92.2	92.0	94.4	96.4	98.4	101.5	108.5	114.1	115.7	111.6	111.6	111.6	111.6	147.6
TAME 59. DEG F	1000	94.2	93.4	94.6	93.0	93.5	93.5	95.2	98.6	99.8	103.3	108.0	111.3	113.2	115.7	115.7	115.7	115.7	146.9
(289. DEG K)	1250	95.3	93.4	94.8	93.4	93.5	94.7	96.7	99.1	101.2	105.4	108.7	110.4	112.6	110.2	110.2	110.2	110.2	145.9
T-ET 53. DEG F	1600	94.0	93.7	94.4	94.1	94.5	95.5	97.9	99.0	103.0	105.2	109.9	111.8	111.4	109.2	109.2	109.2	109.2	146.0
(285. DEG K)	2000	93.3	93.5	93.7	94.0	94.6	96.0	97.3	99.8	101.4	104.5	108.1	108.3	109.9	107.8	107.8	107.8	107.8	144.4
HACT 8.91 GH/M3	2500	93.7	93.4	92.6	95.2	95.5	96.4	97.4	99.4	101.8	105.2	108.0	109.1	110.2	107.1	107.1	107.1	107.1	144.6
(.00091 KG/M3)	3150	93.7	93.4	93.4	93.3	93.7	95.3	96.8	99.5	101.7	104.4	107.1	108.6	108.3	105.6	105.6	105.6	105.6	143.7
FREQ. SHIFT	4000	93.2	93.6	92.9	93.4	94.3	95.5	96.4	99.3	101.2	104.5	106.6	107.8	108.0	105.0	105.0	105.0	105.0	143.4
JET	5000	91.7	92.7	92.0	92.8	93.9	94.8	96.4	98.9	101.5	103.1	105.5	106.5	106.3	104.2	104.2	104.2	104.2	142.5
DIAMETER RATIO	6300	91.8	93.3	92.7	92.6	93.3	94.6	96.6	99.3	101.6	103.5	106.0	106.9	106.3	103.4	103.4	103.4	103.4	142.7
DF/DR 1.00	8000	94.1	97.2	94.4	93.8	93.8	95.4	96.6	99.3	101.2	102.6	104.8	106.3	106.0	102.7	102.7	102.7	102.7	142.4
10000	95.0	93.4	97.4	97.5	96.7	96.6	97.2	100.8	100.8	101.1	101.5	103.2	105.3	105.4	103.2	103.2	103.2	103.2	142.2
12500	93.1	97.2	98.0	98.0	97.9	96.9	97.4	100.3	100.3	100.6	100.6	102.6	104.5	104.9	102.0	102.0	102.0	102.0	142.4
16000	90.7	94.5	95.8	96.6	97.7	97.0	96.9	99.1	98.9	98.6	100.0	101.5	103.9	103.6	102.0	102.0	102.0	102.0	142.2
20000	89.0	92.1	93.3	94.5	95.3	96.0	95.9	96.7	97.3	96.5	98.4	99.7	101.0	98.5	98.5	98.5	98.5	98.5	141.4
25000	86.2	91.1	90.6	92.9	93.3	94.0	94.2	95.4	95.2	95.5	95.9	97.8	98.7	96.6	96.6	96.6	96.6	96.6	139.9
31500	82.9	87.2	88.0	89.5	89.5	91.6	91.9	93.9	92.8	93.7	94.1	95.5	96.8	93.4	93.4	93.4	93.4	93.4	138.5
40000	81.8	84.2	86.0	87.8	87.1	88.1	88.6	90.2	90.6	90.4	90.9	92.8	93.7	91.5	91.5	91.5	91.5	91.5	136.8
50000	77.9	81.8	83.1	84.9	83.8	85.6	86.1	87.8	87.6	86.7	88.0	89.7	92.3	89.9	89.9	89.9	89.9	89.9	134.7
63000	75.3	78.5	80.2	81.6	80.9	82.4	82.4	85.0	84.4	87.3	86.4	88.4	90.6	87.9	87.9	87.9	87.9	87.9	133.4
80000	73.5	75.4	75.9	77.7	77.2	79.0	79.3	81.8	80.7	87.9	85.5	87.7	88.5	86.4	86.4	86.4	86.4	86.4	133.0
OVERALL MEASURED																			137.2
OVERALL CALCULATED		106.1	107.4	107.2	107.4	107.7	108.2	109.4	111.8	113.2	115.6	119.0	121.7	123.1	121.7	121.7	121.7	121.7	121.7
PWDB		117.8	118.9	117.8	117.9	118.5	119.6	120.8	123.4	125.4	128.0	130.9	132.7	133.5	131.7	131.7	131.7	131.7	131.7

REV. ALPHA 12/73	FREQ.	ANGLES FROM INLET IN DEGREES (AND RADIANS)																	PWL
		30.	40.	50.	60.	70.	80.	90.	100.	110.	120.	130.	140.	150.	160.	170.	180.		
NO EGA	50	69.8	69.6	71.1	71.7	71.0	70.3	68.1	67.5	67.9	67.6	72.3	75.0	78.1	93.5			120.2	
REG. NO.	63	70.8	71.1	71.9	72.0	72.3	70.9	70.3	70.2	70.4	71.8	76.6	78.1	82.0	93.1			120.5	
RADIAL 40 FT.	80	72.1	72.1	72.8	73.1	73.3	72.7	72.8	73.2	73.8	74.9	79.0	82.1	84.8	93.6			121.8	
(12. M)	100	73.4	72.9	73.9	73.7	73.9	75.4	77.2	77.8	78.5	79.2	82.7	86.5	90.5	96.4			125.3	
VEHICLE JENOTS	125	75.5	74.5	75.2	75.2	75.2	78.0	79.9	80.5	81.2	82.7	86.0	89.6	92.8	98.8			127.7	
CCAFIG JENOTS	160	79.9	78.7	78.4	78.4	78.4	81.4	83.4	83.2	85.7	85.7	87.9	90.7	93.4	98.9			128.8	
CCAFIG JENOTS	200	80.8	81.3	79.8	81.0	80.5	83.0	83.5	84.5	85.8	88.0	91.3	94.1	97.0	103.0			132.2	
LCC EVALUABLE	250	83.0	83.3	82.5	83.3	83.0	84.3	84.8	86.0	91.5	90.5	95.5	97.0	100.9	102.8			134.2	
DATE 04-21-75	315	86.0	84.5	85.0	85.3	85.0	86.7	87.0	89.8	89.3	94.0	99.0	99.9	105.9	108.5			138.6	
RNA D9TF-MODEL 7	400	84.2	82.0	83.1	84.4	85.4	86.0	87.6	89.9	91.1	94.6	97.5	103.8	106.5	105.9			138.6	
TAPE X70-720	500	85.1	87.0	87.3	86.3	88.0	87.4	89.2	91.2	93.4	94.4	96.0	103.8	106.5	105.8			138.6	
BAR 29.9 HG	630	89.1	87.7	88.5	87.2	88.0	88.3	90.6	92.6	94.4	96.2	101.5	106.6	107.3	105.8			139.6	
(01039, W/M2)	800	87.5	87.2	89.6	88.5	89.0	89.0	90.4	94.1	95.0	97.8	101.2	103.5	103.5	109.2			141.4	
TAMP 59 DEG F	1000	98.3	87.4	91.3	89.2	89.3	90.9	92.7	94.9	96.2	99.4	103.0	103.7	103.9	106.2			139.6	
(238, DEG K)	1250	83.5	88.5	89.6	89.6	90.2	91.5	93.4	95.2	96.7	99.2	103.9	103.8	103.2	102.0			139.3	
TMET 53 DEG F	1600	87.8	89.5	89.2	89.8	91.6	92.0	93.8	95.8	96.6	99.3	102.4	102.3	101.4	100.5			138.4	
(235, DEG K)	2000	89.2	88.9	87.9	91.5	91.0	92.2	93.1	95.2	97.1	99.5	102.0	102.6	101.2	99.6			138.3	
HACT 8.91 GM/M3	2500	87.9	88.7	89.4	89.1	90.0	91.0	92.8	95.0	97.2	99.7	101.9	102.1	101.3	99.4			138.2	
(100691 KG/M3)	3150	87.7	89.1	89.2	90.6	90.8	91.8	92.4	95.0	97.0	99.5	101.1	101.3	101.2	99.5			137.9	
FREQ. SHIFT	4000	86.4	88.7	89.0	90.0	90.6	92.1	92.9	95.4	96.5	98.9	100.5	101.5	100.5				137.8	
JET	5000	87.8	89.1	88.7	89.6	91.3	91.4	93.3	95.8	97.9	98.8	100.5	102.4	101.6	100.2			138.5	
DIAMETER RATIO	6300	87.9	89.5	89.2	90.3	90.8	92.1	93.1	95.5	97.0	98.3	99.0	101.1	102.5	103.2			138.3	
DF/DH 1.66	8000	88.0	91.1	89.8	91.1	91.6	92.4	92.8	96.0	97.3	97.5	98.2	99.5	101.9	104.2			138.4	
	10000	89.2	91.9	91.2	91.7	91.7	92.4	93.2	96.0	97.6	96.4	97.1	98.2	101.2	103.9			139.2	
	12500	89.1	92.7	92.0	91.7	91.9	92.1	93.2	95.5	96.5	95.6	96.5	97.2	100.4	101.8			137.8	
	15000	88.0	91.0	91.5	92.1	92.8	92.0	92.1	94.6	95.2	94.1	95.2	96.3	98.5	100.1			137.2	
	20000	86.0	89.6	90.0	91.3	91.3	90.8	90.9	92.7	93.5	92.3	93.4	94.4	96.7	97.8			135.9	
343	25000	83.7	87.9	88.6	90.0	88.8	90.0	90.2	91.2	91.7	90.7	91.4	92.3	95.4	96.1			134.8	
	31500	80.7	84.2	85.5	86.7	86.3	87.9	88.4	89.1	89.0	88.5	89.6	90.0	93.5	93.4			133.1	
	40000	77.8	80.7	82.5	84.4	83.6	84.6	85.1	85.7	86.1	85.7	86.4	86.5	90.5	91.5			130.8	
	50000	74.1	77.6	79.3	80.6	79.5	81.6	82.4	83.5	82.8	83.2	84.5	84.9	88.5	88.9			129.3	
	63000	73.3	73.5	75.7	76.9	75.9	77.7	78.4	80.7	80.2	81.1	83.2	83.6	87.1	87.4			129.0	
	80000	66.8	68.6	70.2	71.9	71.2	76.0	75.8	78.0	76.9	80.4	84.5	84.5	86.2	86.2			131.1	
OVERALL MEASURED																			
OVERALL CALCULATED		101.0	102.3	102.7	103.2	103.5	104.3	105.4	107.7	109.1	110.6	113.3	115.2	116.5	118.0			131.9	
PNDD		112.6	113.4	113.7	114.6	114.9	116.0	117.1	119.5	121.1	123.2	125.4	126.7	127.2	128.1				

ORIGINAL PAGE IS OF POOR QUALITY

REV. ALPHA 12/73	FREQ.	ANGLES FROM INLET IN DEGREES (AND RADIANS)																		PWL
		30	40	50	60	70	80	90	100	110	120	130	140	150	160	170	180	190	200	
NO EGA	50	63.1	63.8	64.9	65.7	64.7	64.6	64.9	64.8	65.6	69.3	70.8	73.0	75.3	86.0					113.8
RCG. NO. 30	63	65.6	66.3	66.9	68.2	68.3	67.4	67.3	69.7	70.1	72.6	74.3	76.9	79.2	86.8					115.8
RADIAL 40 FT.	80	67.4	67.6	67.5	68.1	68.5	68.7	69.8	70.6	71.6	73.1	76.7	79.9	81.8	88.6					117.7
(12. V)	100	68.9	69.4	70.7	71.2	71.4	72.2	74.2	75.3	76.2	77.7	80.9	84.5	87.3	92.2					121.9
VEHICLE JENOTS	125	73.2	72.7	72.5	72.7	72.2	75.5	77.7	78.0	79.2	80.2	83.7	87.1	89.0	94.0					124.0
CONFIG JE-355	150	79.2	76.2	75.4	76.7	76.9	79.4	80.9	81.7	83.7	83.2	85.7	88.4	90.11	94.4					125.6
LCC EVE. D.A. E	200	79.8	79.5	77.0	79.0	79.0	81.3	81.3	82.5	84.5	86.3	90.6	93.6	95.2	96.8					129.1
DATE 04-21-75	250	82.3	82.0	81.8	81.8	81.8	82.0	83.0	84.0	90.5	92.5	95.3	96.8	99.4	100.1					132.9
FLN DDTF-MODEL 7	300	86.5	83.8	86.3	85.3	85.8	86.0	84.8	90.5	92.0	95.0	100.0	99.4	103.4	105.5					137.1
TARE X70730	400	83.4	83.7	85.3	83.4	84.4	85.0	87.1	88.6	91.8	94.1	98.0	102.8	105.0	103.9					137.4
BAR 29.9 HG	500	87.1	85.8	86.1	85.6	85.5	85.6	87.3	89.5	91.2	92.9	98.3	104.4	106.6	103.3					138.4
(1339, M/HR)	600	86.8	86.7	87.2	85.5	87.0	86.5	88.9	92.1	92.9	93.2	100.7	105.8	106.9	105.1					139.6
TARE 59, DEG F	800	87.0	86.7	88.1	87.0	88.0	87.5	88.7	91.4	93.0	95.0	100.0	103.0	103.7	107.5					138.6
(288, DEG K)	1000	88.1	85.9	89.0	87.4	88.0	89.2	90.9	92.4	94.4	96.6	100.7	102.7	103.1	103.4					137.8
TARE 53, DEG F	1250	85.3	87.0	87.4	87.6	88.0	89.2	91.9	92.7	93.9	95.4	101.4	102.8	101.2	99.7					137.2
(285, DEG K)	1600	85.3	87.3	87.0	87.3	88.4	89.3	91.1	93.5	94.4	95.5	99.4	99.5	98.7	97.3					135.5
HACT 8.9 GM/HR	2000	85.9	86.4	85.6	88.2	89.3	89.7	90.4	92.4	94.3	94.7	98.7	99.1	97.4	95.6					134.9
(100891 KG/HR)	2500	84.2	85.7	86.1	86.3	87.7	88.3	89.8	92.8	93.9	94.4	96.6	97.3	94.5	93.4					133.5
FREQ. SHIFT	3150	83.5	85.3	85.4	86.1	87.0	88.3	89.2	90.8	93.0	94.0	95.8	96.0	93.2	91.3					132.7
JET 0	4000	81.2	83.9	84.0	85.3	85.9	87.6	88.6	90.4	92.5	92.9	94.3	93.5	90.5	89.5					131.5
DIAMETER RATIO	5000	81.0	83.1	82.7	84.4	85.3	87.1	88.3	90.3	92.4	92.8	93.5	92.7	89.6	87.6					131.0
DF/CM 1.00	6300	79.4	82.7	82.9	83.8	85.3	86.9	87.3	89.3	91.5	92.8	91.8	91.1	89.2	87.2					130.0
	8000	78.5	81.8	81.6	83.6	84.3	85.9	86.0	88.2	90.1	90.0	90.5	89.5	87.9	87.4					129.1
	10000	77.7	81.4	81.4	82.2	83.9	84.1	85.7	87.8	89.4	88.4	89.9	88.2	87.2	86.5					128.6
	12500	75.9	79.2	79.8	81.0	81.4	82.9	84.4	86.3	87.7	87.3	88.0	86.7	86.1	85.3					127.4
	16000	73.0	76.8	77.8	78.8	80.5	81.3	82.4	84.9	85.9	85.3	86.2	84.5	84.0	83.1					126.0
34#	20000	70.5	74.6	74.8	76.6	77.3	78.5	80.1	82.2	84.0	83.3	83.4	82.4	81.5	80.8					124.1
	25000	67.9	72.4	73.1	74.3	75.0	76.3	77.7	80.2	81.2	80.9	79.8	78.9	77.9	77.9					128.7
	31500	64.7	69.2	69.8	70.7	71.0	73.6	74.7	77.6	78.3	78.5	77.9	76.5	75.8	73.9					119.7
	40000	62.5	66.5	67.2	68.4	68.1	69.6	70.8	74.2	75.1	74.2	73.7	74.1	72.5	72.2					128.1
	50000	60.9	64.1	64.6	65.9	65.0	66.8	67.9	72.3	73.3	72.3	72.5	72.2	71.0	70.9					127.9
	63000	62.1	63.0	62.2	64.1	63.9	63.9	65.2	73.0	71.4	71.4	72.7	73.6	72.3	72.4					119.8
	80000	63.0	62.4	61.2	63.2	64.2	63.5	64.3	74.3	72.2	93.9	74.2	75.2	74.5	74.2					134.3
OVERALL MEASURED																				
OVERALL CALCULATED		97.3	97.5	98.2	98.3	99.2	100.0	101.4	103.3	105.3	107.2	110.4	112.9	113.8	113.8					148.5
PND		108.6	109.7	110.0	110.6	111.4	112.5	113.6	115.4	117.5	118.4	121.2	122.3	122.1	122.1					

REV. ALPHA 12/73	FREQ.	ANGLES FROM INLET IN DEGREES (AND RADIANS)																PWL	
		30.	40.	50.	60.	70.	80.	90.	100.	110.	120.	130.	140.	150.	160.	0.	0.		0.
NO EGA	50	64.9	65.8	68.6	67.7	69.7	68.6	69.6	65.5	66.6	67.1	69.5	71.0	73.8	76.2				110.1
REG. NO. 0.	63	66.1	67.1	70.7	68.7	71.3	70.2	67.5	67.4	68.9	70.1	72.8	74.9	77.0	79.3				112.6
RADIAL 40' FT.	80	67.1	67.4	69.8	69.1	70.8	70.4	69.3	69.8	70.6	72.6	75.5	78.6	80.0	82.9				115.1
(12.4)	100	67.9	67.7	69.9	70.9	71.7	72.4	73.2	73.6	75.0	75.9	79.2	82.8	86.0	87.2				119.3
VEHICLE JENOTS	125	70.7	71.0	71.7	71.2	72.2	74.2	75.9	76.5	78.0	79.7	83.0	86.1	88.8	90.5				122.4
CC#FIG JE-355	160	77.2	74.7	74.4	75.2	75.7	77.9	79.6	78.9	81.4	81.9	83.7	86.4	88.9	90.6				123.4
LCC EVENDALE	200	76.5	76.8	75.3	76.5	76.8	78.8	79.0	79.8	81.3	83.8	86.8	89.9	91.7	93.5				125.8
DATE 04-21-75	250	80.5	80.3	79.8	80.5	79.8	80.0	81.5	83.3	89.8	89.0	93.0	93.5	96.9	97.9				130.7
RUN CBTF-MODEL 7	315	83.0	80.5	81.3	81.8	82.3	83.0	82.5	88.5	88.3	92.0	95.5	96.6	100.4	105.0				134.8
TAPE X70740	400	80.4	77.7	80.3	80.9	81.7	82.0	85.1	87.1	90.1	93.6	95.0	101.0	103.5	103.1				135.9
GAS 29.9 HG	500	81.3	81.3	82.1	81.0	82.0	82.1	84.0	86.0	87.7	89.2	92.2	99.6	100.8	101.8				133.9
(01039, N/42)	630	82.1	82.0	82.7	82.0	83.0	82.8	85.6	87.1	89.4	90.2	95.7	101.1	102.7	103.8				135.8
TAME 59. DEG F	800	82.0	81.9	83.9	83.0	84.3	83.8	85.7	88.6	90.0	92.5	96.0	98.3	98.5	105.0				134.9
(288, DEG K)	1000	82.8	81.9	85.0	83.7	84.3	85.4	87.4	89.4	90.7	93.6	96.2	98.4	99.4	100.1				134.2
TMET 53. DEG F	1250	82.5	83.0	83.6	83.8	84.7	85.7	88.7	89.2	91.9	93.7	96.9	98.0	96.7	96.2				133.2
(285, DEG K)	1600	91.6	84.3	83.2	84.0	84.9	86.0	87.6	89.5	91.1	92.3	96.1	95.8	93.9	93.5				131.9
HACT 8.91 GM/M3	2000	83.4	82.9	82.6	85.2	85.5	86.9	87.1	88.7	90.6	92.2	95.2	95.6	93.2	91.9				131.5
(00891 KG/M3)	2500	81.2	82.2	83.1	82.8	84.0	85.0	86.6	88.3	90.7	92.4	93.9	94.1	91.0	89.9				130.3
FREQ. SHIFT	3150	80.5	82.3	81.9	82.9	84.0	84.5	85.4	88.0	89.5	91.5	93.1	92.8	90.2	89.3				129.7
JET C	4000	79.2	80.7	81.0	82.0	83.1	84.6	85.4	86.9	89.0	90.9	91.5	90.5	87.5	86.5				128.6
DIAMETER RATIO	5000	78.5	80.6	80.2	81.4	82.3	83.6	85.3	87.6	89.1	90.5	90.8	89.9	86.6	85.9				128.2
DF/DM 1.50	6300	77.9	80.2	80.2	81.0	82.0	83.9	84.3	86.0	88.2	89.3	89.8	88.3	86.7	84.7				127.4
	8000	76.8	78.8	79.1	80.8	81.8	82.4	83.3	85.2	86.6	88.0	88.7	87.0	85.4	84.7				126.5
	10000	75.7	78.4	78.7	80.0	81.7	81.4	82.0	84.3	86.1	86.9	87.4	85.7	84.4	84.0				125.8
	12500	74.4	76.4	77.5	78.5	79.9	80.4	81.7	83.0	84.2	85.6	86.0	84.4	83.4	82.3				124.9
	16000	72.0	74.5	75.3	76.6	78.3	78.5	79.6	80.6	82.4	83.3	84.0	82.5	80.8	79.9				123.2
345	20000	69.5	71.8	73.0	74.1	75.1	76.3	77.4	78.9	80.5	80.5	81.4	79.9	77.7	76.8				121.3
	25000	66.4	69.6	70.9	72.0	72.3	73.5	74.9	76.2	77.9	78.2	78.4	76.6	75.4	73.9				119.1
	31500	63.2	66.5	67.3	69.0	69.0	70.6	72.2	73.6	74.3	75.5	75.4	74.0	72.8	70.7				116.7
	40000	61.0	63.5	65.0	66.4	66.1	66.9	68.3	70.5	71.4	71.2	71.9	70.3	70.0	69.2				114.1
	50000	57.9	62.8	63.1	64.1	63.3	64.3	65.6	67.5	67.8	69.0	71.5	70.9	69.8	70.1				113.5
	63000	55.8	57.3	61.2	62.6	62.4	62.4	63.7	66.0	65.7	67.6	72.4	72.6	71.6	72.6				115.3
	80000	54.8	54.6	60.9	62.7	63.4	63.5	63.8	66.3	65.2	68.7	74.5	75.0	73.5	74.2				120.1
OVERALL MEASURED																			145.0
OVERALL CALCULATED		93.7	94.1	94.7	95.1	96.0	96.8	98.3	100.2	102.1	104.0	106.6	109.0	110.1	112.0				
PND8		105.5	106.6	106.8	107.5	108.4	109.2	110.4	112.5	114.3	116.1	118.1	118.9	118.6	119.0				

ORIGINAL PAGE IS OF POOR QUALITY

SPL INPUT AT STD REV, ALPHA 12273	40'	50'	60'	70'	80'	90'	100'	110'	120'	130'	140'	150'	PWL
NO EGA.	76,3	78,8	78,4	79,9	78,0	78,6	76,6	76,5	79,2	82,1	90,0	86,8	98,6
SDS. NO. 0	77,3	78,8	80,4	81,5	79,5	82,1	83,0	82,2	84,2	91,8	94,6	93,9	99,0
RADIAL 40' FT.	80	81,6	81,0	81,9	80,5	80,7	80,6	80,8	84,6	87,4	94,0	93,4	100,3
12. M	123	83,2	82,9	82,4	84,4	83,9	85,7	84,8	88,7	91,7	97,1	99,0	103,8
VEHICLE JENOTS	180	87,9	87,4	84,9	87,6	85,6	89,6	93,4	95,1	98,9	100,6	100,6	106,5
CCNFJ JENOTS	280	87,3	86,5	86,5	87,5	87,5	91,0	91,3	91,5	96,3	100,3	107,4	108,5
LCB EVENDALE	250	91,0	89,8	90,5	91,3	91,3	93,0	93,8	98,3	93,8	103,0	111,0	107,4
DATE 03-20-75	314	92,0	93,0	92,8	93,0	94,3	93,8	94,8	97,8	103,0	108,8	112,8	110,2
BUN CRTF-MODEL 7	400	92,2	91,7	91,8	91,9	93,2	98,2	101,6	104,8	104,8	108,3	117,5	115,2
YARE X70800	500	96,3	95,5	95,6	94,3	96,2	99,4	101,5	106,9	111,1	114,5	121,1	114,1
BAR 29.3 HG	650	99,1	98,2	98,7	96,7	98,7	99,0	101,6	103,9	111,7	117,3	122,1	117,7
98874, N/M2	800	101,0	100,2	99,4	99,0	100,5	101,0	108,2	105,1	111,3	120,2	121,3	116,0
TAMB 89, DEG F	1090	101,5	99,3	101,7	99,5	100,8	102,9	105,9	106,1	113,8	120,5	120,2	117,1
(303, DEG K)	1250	102,5	102,4	101,4	101,6	102,5	103,7	105,2	106,9	114,1	120,0	121,1	115,7
TMET 73, DEG F	1600	100,6	102,2	101,4	101,5	102,7	104,3	106,0	107,7	113,7	120,4	118,7	114,8
(294, DEG K)	2000	102,9	101,4	100,3	102,7	103,6	104,9	105,8	108,2	114,2	118,4	120,7	113,7
WACT 0, GM/MS	2500	102,1	100,8	101,5	100,7	102,3	103,8	103,6	108,1	113,1	119,3	116,9	111,8
1, KG/MS	3120	101,6	100,5	100,5	100,7	102,0	103,7	103,6	107,7	112,9	118,8	116,0	109,8
FREQ. SHIFT	4000	100,6	99,4	99,4	100,0	101,5	103,6	105,2	107,8	112,5	116,5	112,7	108,7
JET 0	5000	101,9	100,1	100,1	100,0	101,4	103,2	105,7	107,7	112,5	115,5	111,9	107,6
DIA METER RATIO	6300	100,9	100,0	101,8	101,8	102,3	103,0	105,5	107,0	111,3	115,0	111,4	106,6
DF/DH 1.00	8000	100,2	100,4	101,4	101,6	102,2	102,7	105,4	106,6	109,8	113,4	110,3	105,6
	10000	99,2	100,2	101,2	101,9	102,1	102,8	105,4	106,5	108,7	112,0	109,4	105,0
	12000	97,9	98,3	100,5	100,9	101,9	103,2	104,8	104,2	107,3	110,2	107,9	103,5
	16000	95,1	95,9	97,9	99,3	100,6	103,9	102,9	102,7	105,4	107,8	105,6	101,0
	20000	92,5	93,2	95,5	96,6	97,5	99,2	100,0	100,8	103,0	107,2	104,0	98,3
	25000	88,9	90,6	92,2	92,7	95,5	98,4	97,6	98,2	100,7	104,8	101,9	93,9
	31500	84,2	85,2	87,7	88,7	90,5	92,8	94,0	93,7	97,9	102,4	100,2	92,6
	40000	79,7	80,4	83,8	84,6	85,4	88,6	89,7	89,8	93,6	98,1	97,9	90,2
	50000	75,0	76,0	79,0	78,7	80,3	83,8	87,0	86,0	91,1	99,1	96,7	88,3
	63000	73,8	73,2	76,1	76,9	76,9	81,2	86,2	83,4	89,4	95,9	98,6	86,6
	80000	74,0	73,8	75,3	77,8	76,9	82,4	89,4	83,8	89,8	99,4	98,1	89,1
OVERALL MEASURED													
OVERALL CALCULATED	112,9	112,3	112,8	112,9	114,0	113,4	117,3	118,7	124,1	128,0	130,3	130,3	125,9
PNDP	129,3	124,8	124,7	124,8	125,9	127,4	129,5	131,2	136,4	140,8	142,3	140,8	136,5

346

SPL INPUT AT STD BEV, ALPHA 12473	ANGLES FROM INLET IN DEGREES (AND RADIANS)																PHL	
	40	50	60	70	80	90	100	110	120	130	140	150	160	0	0	0		0
NO BGA	50	73.1	74.1	72.6	72.9	73.7	74.6	75.3	76.6	81.6	90.0	86.3	94.3					124.2
BDG. NO. 0	83	76.1	76.3	76.4	76.7	77.0	82.1	82.5	82.2	83.9	92.3	94.8	83.9	98.2				129.2
RADIAL 48, FM	80	76.5	76.4	77.5	77.4	77.5	78.7	79.3	80.1	86.6	93.7	92.9	97.0					128.0
LOC 12, M	100	79.1	79.9	79.9	79.4	80.1	81.9	85.9	84.3	87.5	91.1	96.9	98.3	101.3				132.2
VEHICLE JENOTS	125	81.7	80.9	80.2	80.9	82.4	84.2	87.4	87.4	90.4	93.4	99.9	99.6	107.3				136.2
CONFIG JE#054	180	86.4	85.3	82.9	85.6	84.1	88.6	95.8	89.9	93.2	96.9	100.6	101.6	109.1				138.1
LOC EVENDALE	200	86.3	85.8	85.0	85.8	86.8	90.5	90.5	90.8	95.8	102.0	105.1	106.1	108.0				140.1
DATE 05-20-75	220	89.8	88.5	89.8	90.5	90.8	92.3	92.5	92.5	102.5	106.0	110.8	110.3	109.9				143.9
RUN CBYF=MODBL 7	315	92.0	92.5	91.5	92.5	93.5	95.0	95.0	97.5	102.5	108.0	112.3	114.1	108.4				146.3
TARE K70810	400	91.4	90.7	91.1	91.2	94.5	93.7	99.3	97.6	104.8	110.8	107.8	117.3	114.0				148.2
BAR 29.3 HG	500	93.3	93.0	94.8	93.8	95.5	98.9	100.5	100.2	106.4	111.2	113.7	119.6	113.8				150.3
98840, N(M2)	630	98.1	96.7	97.7	96.0	98.2	98.0	100.6	103.4	111.1	116.2	117.7	121.3	118.9				153.3
YAMB 87, DEG F	800	99.5	99.2	98.6	98.5	99.8	100.5	102.2	104.4	110.8	116.3	118.7	120.0	119.7				153.0
(304, DEG K)	1000	101.3	98.9	100.5	99.0	100.5	102.4	103.7	105.6	113.3	119.8	119.7	120.4	116.9				154.7
YMET 73, DEG F	1250	101.5	101.2	100.6	100.8	101.7	102.7	104.7	105.9	113.8	118.8	119.7	121.1	115.7				154.6
(294, DEG K)	1600	100.1	100.5	100.2	100.5	102.4	103.5	105.3	106.9	113.1	117.3	118.6	118.1	114.3				153.2
MAGT 0, GM/M3	2000	101.8	99.8	99.5	101.7	102.9	103.9	105.8	107.9	113.5	116.4	118.4	117.3	114.0				152.7
(, KG/M3)	2500	100.8	99.8	100.5	99.5	101.5	103.0	105.3	107.3	112.8	115.8	117.5	115.7	111.3				151.6
FREQ. SHIFT	3120	100.6	99.8	100.3	100.4	102.0	102.9	104.6	106.7	112.8	114.2	116.8	115.3	110.6				151.2
JET 0	4000	100.3	99.4	99.4	100.2	101.2	102.6	104.9	107.0	113.3	113.5	115.2	112.7	108.2				150.0
DIAMETER RATIO	5000	101.4	100.8	99.8	100.0	101.4	102.7	105.5	107.4	111.5	113.2	114.5	111.7	107.5				149.8
DF/DB 1.00	6300	101.6	102.0	102.1	100.9	101.8	102.7	105.0	107.0	110.1	111.6	113.5	110.9	106.1				149.0
	8000	100.9	101.6	102.9	102.3	101.9	102.5	104.9	105.4	109.0	110.8	112.3	109.8	105.5				148.4
	10000	99.1	100.6	102.4	102.6	102.9	102.5	104.4	104.7	107.9	109.8	110.9	108.6	104.5				147.8
	12500	97.9	99.0	100.7	101.1	101.8	102.6	103.5	103.6	106.0	108.4	109.4	108.1	103.0				146.9
	16000	94.8	96.6	98.6	99.3	99.8	101.1	102.1	102.2	103.9	106.5	108.1	105.6	100.4				145.5
	20000	92.0	93.4	95.7	96.7	96.9	98.6	99.2	99.7	101.7	104.1	105.6	103.1	97.7				143.5
	25000	88.6	90.6	93.1	93.2	94.2	95.8	97.1	97.1	99.1	101.8	104.0	101.1	96.0				141.7
	31500	83.8	85.6	88.8	88.4	90.7	92.2	93.4	93.1	96.3	99.2	101.3	99.6	92.5				139.4
	40000	79.9	81.2	83.9	84.0	85.3	87.5	89.4	89.0	92.8	95.7	98.9	96.9	90.4				136.9
	50000	75.2	76.2	79.12	79.9	80.4	83.4	85.9	85.6	91.3	94.8	98.2	97.3	88.7				136.9
	63000	73.7	74.1	76.1	77.6	76.6	85.9	88.2	83.6	91.8	94.6	98.3	97.8	87.6				138.8
	80000	74.4	74.0	74.2	78.0	76.6	89.9	86.6	83.5	93.8	95.6	99.1	98.6	87.0				142.8
OVERALL MEASURED																		
OVERALL CALCULATED		112.4	112.0	112.6	112.6	113.6	114.7	116.6	118.1	123.4	127.4	128.9	129.7	123.5				164.0
PNRB		124.6	124.0	124.3	124.3	125.6	126.7	128.7	130.5	135.9	138.7	140.7	140.2	136.3				

ORIGINAL PAGE IS OF POOR QUALITY

MODEL SOUND PRESSURE LEVEL'S (59° DEG. F, 70 PERCENT REL. HUM, DAY = JENOTS)

SPL INPUT AT STD REV. ALPHA 12273	FREQ.	ANGLES FROM INLET IN DEGREES (AND RADIANS)																PHL
		40°	50°	60°	70°	80°	90°	100°	110°	120°	130°	140°	150°	160°	170°	180°		
NO EGA.	50	90,6	70,8	69,6	69,4	70,5	69,6	69,6	69,8	73,1	75,3	80,8	81,0	93,1			120,6	
RDG. NO. 0.	83	72,8	73,8	73,9	74,5	74,3	74,4	75,3	73,9	80,9	82,3	85,6	86,9	94,0			123,3	
RADIAL 40, FY.	100	73,4	73,4	73,8	73,9	74,8	79,9	75,8	75,8	78,8	82,9	87,7	88,9	94,3			124,2	
12, M	125	78,4	77,4	76,6	76,4	76,9	79,1	80,4	80,1	83,7	86,4	90,6	94,3	99,8			128,0	
VEHICLE JENOTS	150	82,9	82,1	80,1	81,6	81,1	84,9	86,8	85,6	89,9	92,6	95,6	97,6	101,1			130,3	
ECNFIG JENOTS	200	83,5	82,8	82,5	83,3	83,8	86,8	87,8	87,0	92,0	97,3	101,1	102,6	102,2			132,2	
LOC EVENDALE	250	87,3	86,8	86,5	87,0	87,0	88,8	88,8	88,8	92,5	97,8	101,1	105,8	106,6			135,7	
DATE 05-20-75	315	89,3	89,3	88,0	88,8	89,8	90,9	88,8	88,8	92,5	97,8	101,1	107,5	109,9			139,3	
RUN DBTF-MODBL 7	400	87,7	87,7	87,1	87,7	90,4	91,2	92,1	93,1	99,3	105,6	107,3	112,3	112,2			142,0	
TARE X70850	500	91,3	90,8	90,6	90,0	91,2	92,1	92,1	96,6	102,2	106,4	110,0	117,4	109,6			143,9	
BAR 29,3 HR	650	93,5	92,7	93,2	92,2	94,2	94,0	96,9	98,6	104,9	111,1	114,5	117,1	112,4			147,2	
99973, NYM2)	800	94,5	95,4	94,4	94,8	96,0	96,0	98,4	99,9	105,0	111,1	115,2	116,3	113,0			149,0	
YARB 80, DEG. F.	1000	98,3	94,4	96,2	94,7	95,8	99,9	99,9	100,6	107,1	114,4	115,7	114,2	113,1			149,2	
(300, DEG. K)	1250	96,8	96,8	95,9	95,8	97,2	98,7	99,9	101,1	107,6	114,4	116,9	114,2	111,9			149,5	
FWBT 70, DEG. F.	1600	93,1	96,2	95,2	95,8	97,4	99,0	100,0	101,9	107,7	114,4	116,9	114,2	110,3			150,1	
(29, DEG. K)	2000	96,6	95,3	94,5	96,1	96,6	99,1	101,0	102,6	107,4	114,2	113,7	111,7	107,4			148,7	
MAGT 0, GM/M3	2500	96,5	95,0	95,7	95,2	96,7	98,3	100,3	102,2	107,1	114,2	113,7	111,7	107,5			148,2	
1, KG/M3)	3120	99,8	95,3	95,7	95,9	97,2	98,4	100,1	102,2	106,9	113,0	113,0	111,0	106,3			147,3	
FREQ. SWINT	4000	93,6	94,8	95,1	94,9	96,7	98,3	99,9	102,5	106,3	113,9	114,9	108,7	108,9			146,9	
JET 0	5000	97,2	96,8	95,3	95,0	96,4	99,0	100,4	102,6	106,2	113,8	114,5	108,1	108,7			145,5	
DIAMETER RATIO	6300	99,3	98,2	96,6	96,1	97,0	98,7	100,7	101,9	105,3	110,7	109,4	107,6	108,7			145,5	
BF/DM 1.00	8000	100,1	99,4	98,8	97,5	97,6	98,2	100,1	101,8	105,3	107,1	109,4	107,6	108,7			144,8	
	10000	99,8	99,5	99,6	99,1	98,3	98,2	100,8	101,8	103,9	106,6	108,6	107,0	108,7			144,5	
	12500	96,8	98,2	99,4	99,6	98,8	99,1	100,7	99,8	102,6	105,6	106,6	106,3	103,4			144,1	
	16000	94,3	95,8	97,3	98,2	98,5	98,5	98,8	98,1	99,3	103,3	102,8	99,9	99,9			143,4	
	20000	96,7	92,8	94,4	94,7	95,6	98,1	98,4	96,2	96,9	99,0	103,3	102,8	99,9			142,1	
	25000	87,2	89,3	91,1	91,1	92,4	92,8	93,8	93,8	94,8	95,5	98,9	98,5	98,1			140,1	
	31500	82,5	84,8	87,0	86,1	88,9	89,4	90,4	89,5	91,5	92,9	95,7	96,3	91,9			137,9	
	40000	78,3	80,3	82,1	82,1	82,9	84,4	85,3	84,9	87,0	88,2	92,1	92,8	84,3			135,2	
	50000	74,1	74,6	77,6	76,8	78,1	79,6	81,1	79,6	84,7	85,2	89,9	90,3	85,9			131,7	
	63000	72,6	72,5	74,7	75,3	75,3	77,0	78,1	75,5	85,2	83,3	88,9	89,9	84,9			129,6	
	80000	73,3	71,9	74,4	76,4	75,7	79,5	79,5	73,4	86,9	84,5	89,2	88,2	85,4			130,3	
OVERALL MEASURED		109,1	108,7	108,8	108,8	109,6	110,6	112,2	113,3	117,9	122,6	125,1	125,4	121,9			139,7	
OVERALL CALCULATED		121,0	120,5	119,9	119,9	121,1	122,4	124,1	125,9	130,4	134,8	136,8	136,0	132,4				

348

BPL INPUT AT STD REV, ALPHA 12,75	FREQ	ANGLES FROM INLET IN DEGREES (AND RADIAN)																PHL
		40	50	60	70	80	90	100	110	120	130	140	150	160	170	180		
NO. BGR	30	71,1	71,1	71,4	71,2	72,7	72,3	73,4	74,0	75,6	76,8	78,8	80,8	81,5	83,1	84,1	121,1	
BDG. NO.	40	71,3	72,6	72,4	74,7	75,5	74,4	78,5	75,9	78,4	80,6	82,9	85,8	86,4	88,4	94,0	123,3	
RADIAL - 40, FM	100	74,4	74,9	74,0	74,6	75,9	78,9	76,8	80,8	83,2	86,4	87,2	88,4	93,5	99,0	128,3	124,4	
12, MI	125	76,9	76,4	76,4	78,2	78,9	80,7	88,6	83,9	86,4	89,7	92,9	95,1	105,3	105,3	133,0	133,0	
VEHICLE JENOTS	180	81,9	80,6	79,2	80,9	80,9	84,4	87,1	85,9	89,9	92,8	94,6	96,9	106,8	106,8	135,9	135,9	
CONFIG JENOTS	200	82,3	81,8	81,6	81,5	83,3	83,8	86,8	86,8	91,0	96,8	100,1	101,4	104,5	107,7	138,2	138,2	
LOG EVENDACR	220	86,0	85,0	86,0	86,3	86,8	88,0	87,8	88,8	96,3	100,0	104,8	104,8	108,9	109,2	140,1	140,1	
DATE 05-20-75	325	88,5	88,5	87,8	88,0	89,3	90,7	89,3	92,0	96,5	101,8	106,5	108,9	109,2	110,1	142,6	142,6	
BUN EBTF-MOQDL 7	400	87,7	86,7	86,8	87,2	89,9	90,7	93,3	92,8	98,1	104,2	109,5	111,0	110,1	111,7	146,4	146,4	
TARE X73860	588	90,6	89,3	90,3	89,3	91,0	94,6	95,5	95,2	103,4	108,7	109,0	116,4	109,1	111,9	147,9	147,9	
BAR 29,3 HQ	650	92,6	92,2	92,7	93,7	93,2	93,3	95,6	97,6	103,7	108,7	112,3	115,8	111,1	111,9	147,9	147,9	
98942, N/MR	800	93,7	94,2	92,9	93,3	95,0	95,0	97,4	98,9	103,8	110,5	113,7	115,3	121,2	121,2	147,9	147,9	
YAMB 80, DRG. F	1000	95,3	92,9	95,0	94,5	94,8	96,7	99,9	98,9	105,6	111,8	113,0	113,4	111,1	111,1	147,9	147,9	
(300, DEG. K)	1220	95,0	94,7	94,1	94,6	95,5	93,9	98,7	99,9	105,3	112,6	114,4	113,4	109,2	107,8	146,8	146,8	
YMET 70, DEG. F	1600	93,6	94,5	94,2	94,5	95,9	97,5	99,0	100,7	106,1	111,5	112,6	111,5	107,2	107,2	146,4	146,4	
(298, DEG. K)	2000	95,3	94,3	93,3	95,7	96,6	97,9	99,3	101,4	106,4	110,9	111,9	110,8	109,7	105,2	145,3	145,3	
HAET 0, GM/MS	2580	94,8	94,0	94,5	93,9	95,0	96,8	99,1	100,8	105,4	109,1	111,0	109,7	105,2	105,2	144,7	144,7	
1, KG/MS	3120	95,9	94,3	94,7	94,7	95,9	97,1	98,6	100,2	105,4	108,0	110,2	109,0	104,6	104,6	144,7	144,7	
FREQ. SHIFT	4000	93,1	92,6	93,9	93,7	95,2	96,1	98,9	100,2	104,5	106,9	108,4	106,7	102,1	102,1	143,4	143,4	
NET	5000	94,4	95,1	93,5	93,7	95,4	97,0	98,9	100,9	104,7	106,7	108,3	106,1	102,0	102,0	142,7	142,7	
DIAMETER RATIO	6300	95,6	95,2	94,6	94,6	95,8	96,7	99,1	100,4	103,9	106,8	106,9	105,1	103,1	103,1	142,7	142,7	
DF/DM 2.00	8000	96,4	96,4	95,8	95,5	95,6	96,7	99,1	100,3	101,7	104,0	106,3	105,7	103,5	103,5	142,6	142,6	
10000	96,3	97,3	96,9	96,6	96,8	97,0	97,0	99,9	99,9	101,3	102,6	105,1	105,1	103,4	103,4	142,2	142,2	
12500	95,1	96,7	96,6	97,1	97,0	97,6	98,7	98,8	99,7	101,4	103,8	104,0	102,2	102,2	141,9	141,9		
16000	92,5	94,3	95,1	96,1	96,2	96,8	97,3	97,1	98,1	98,7	98,7	102,3	99,6	99,6	140,7	140,7		
20000	89,7	91,6	93,2	93,4	93,6	94,6	94,9	95,2	95,4	96,8	96,8	99,6	97,8	97,1	138,7	138,7		
25000	85,5	88,0	89,8	89,9	90,9	92,0	92,3	92,5	92,8	94,0	96,9	97,8	94,5	94,5	136,5	136,5		
31500	80,7	83,1	84,8	84,8	87,9	87,9	88,9	88,0	89,9	90,6	93,7	94,8	90,9	90,9	133,3	133,3		
40000	75,5	78,0	79,8	80,4	80,9	83,2	83,6	83,2	84,7	85,7	90,3	91,5	87,5	87,5	129,9	129,9		
50000	69,6	72,1	73,9	75,5	76,3	78,6	79,6	77,8	81,7	82,7	87,9	88,3	85,6	85,6	127,7	127,7		
63000	65,1	67,0	68,5	75,0	74,0	76,5	76,6	74,0	81,2	82,7	87,2	87,2	85,4	85,4	128,5	128,5		
80000	63,3	63,9	65,6	76,4	75,2	77,3	79,3	73,2	83,2	84,7	88,5	86,7	85,2	85,2	132,4	132,4		
OVERALL MEASURED																158,0	158,0	
OVERALL CALCULATED		106,9	107,8	107,0	107,2	108,1	108,2	110,9	112,1	116,5	120,8	122,9	124,0	120,8	120,8			
PNOB		118,5	118,5	118,6	118,6	119,8	121,1	122,9	124,2	128,9	132,4	134,5	134,5	131,1	131,1			

349

ORIGINAL PAGE IS
 OF POOR QUALITY

SPL INPUT AT STD REV, ALPHA 12473	FREQ.	MODEL SOUND PRESSURE LEVELS (99% DBG, F, 70 PERCENT REL. HUM. DAY - JEN 0.75)																PHL
		ANGLES FROM INLET IN DEGREES (AND RADIANS)																
		40	50	60	70	80	90	100	110	120	130	140	150	160	170	180	190	200
BDG. NO. 0.	50	73.6	75.3	75.9	76.2	75.2	75.3	75.4	75.5	80.9	82.1	87.0	87.3	95.6				124.5
RADIAL 40, FT.	63	76.1	77.6	78.1	78.5	78.3	82.1	82.3	82.4	84.6	87.9	93.8	94.1	98.0				130.1
12. M)	80	77.6	77.9	79.3	79.6	79.8	80.7	85.6	81.1	84.6	87.9	92.5	94.4	98.3				128.8
VEHICLE JENOTS	100	80.9	81.4	82.1	81.4	81.9	83.9	85.7	85.1	89.3	91.4	96.4	99.8	102.3				133.2
CONFIG JEN054	125	83.9	82.9	82.4	83.7	84.2	86.2	89.1	88.9	91.4	95.2	99.4	101.1	103.8				135.9
CCC EVENDALE	180	88.4	87.9	84.9	87.4	86.1	91.8	92.3	92.8	96.1	99.1	100.9	103.4	106.6				138.0
DATE 05-20-75	200	87.8	87.3	86.8	87.8	88.3	91.8	92.3	92.8	97.3	103.3	106.8	108.1	109.5				141.6
BUN DBTF MODEL 7	230	91.8	90.5	91.8	92.0	92.5	94.0	94.0	94.3	103.8	107.5	111.5	112.3	106.4				145.2
TARE X76870	315	93.5	93.8	93.5	93.8	93.3	97.7	95.5	98.8	104.0	109.3	113.0	115.4	109.4				147.4
BAR 29.3 HG	400	96.8	95.8	92.3	92.4	93.9	97.0	103.3	99.3	108.2	113.2	114.7	121.4	114.6				151.9
(98874, N/M2)	530	100.1	98.7	99.2	97.5	99.2	99.3	102.1	104.9	112.9	118.8	119.0	121.8	117.9				154.8
YAMB 89, DEG F	800	101.5	100.7	100.2	100.3	101.5	101.8	103.4	103.9	112.3	118.3	121.2	121.3	113.1				155.9
(305, DEG K)	1000	102.3	100.6	102.0	100.2	101.3	103.3	104.4	106.9	115.1	122.1	120.7	120.2	116.4				156.4
TKET 73, DEG F	1250	103.5	102.7	102.1	102.3	103.0	104.2	106.4	107.4	115.6	122.3	121.7	120.6	113.4				154.9
(296, DEG K)	1600	101.3	102.2	102.2	102.3	103.9	103.3	106.3	108.2	114.9	120.3	120.4	118.0	113.5				154.7
HAST 0, GM/M3	2000	103.1	101.4	100.8	102.9	104.1	105.1	107.1	108.7	115.7	120.4	120.2	116.8	113.0				153.7
4, KG/M3	2500	102.3	101.1	102.3	101.5	102.8	102.2	106.6	108.8	114.6	119.9	119.8	116.3	110.8				152.9
FREQ. SMIFY	3120	101.4	101.0	101.5	101.4	102.7	102.2	106.1	108.2	114.4	117.7	118.3	115.3	109.3				151.7
JET 0	4000	101.1	99.9	100.2	100.7	102.0	103.6	105.9	108.8	114.1	116.6	116.0	112.2	107.7				151.2
DIAMETER RATIO	5000	102.2	100.3	101.3	100.7	102.4	103.7	106.2	109.7	113.7	115.3	115.3	111.1	106.8				150.2
BF/DK 1.00	6300	102.1	101.8	102.1	101.9	102.6	103.7	106.0	107.7	112.1	114.4	113.7	110.7	105.3				149.7
	8000	101.7	101.7	102.4	102.6	102.7	103.2	106.4	106.5	110.8	112.3	111.7	109.8	105.3				149.2
	10000	100.7	101.2	102.5	103.2	103.4	104.3	106.2	106.5	109.7	112.1	111.7	108.9	106.8				148.2
	12500	99.4	99.3	101.2	102.1	102.6	103.9	105.5	105.2	108.1	110.5	110.2	107.6	103.0				147.8
	16000	96.4	96.7	98.7	100.3	101.4	102.4	103.9	103.5	106.7	108.8	108.6	105.6	100.5				143.3
	20000	93.5	93.7	96.0	97.3	98.5	100.0	101.3	101.6	104.5	107.2	106.7	103.0	97.8				143.4
	25000	90.6	91.1	93.5	94.0	95.5	96.9	98.4	98.4	102.5	104.7	104.8	101.4	93.6				141.6
	31500	85.2	86.3	88.9	89.5	92.5	94.1	95.5	94.9	99.6	103.3	102.6	99.5	92.9				139.1
	40000	80.9	81.7	84.8	85.3	86.1	89.3	91.5	91.3	97.1	99.8	100.0	96.4	90.9				138.8
	50000	75.7	76.2	79.8	80.2	82.0	86.8	88.2	87.5	97.4	98.1	99.1	96.2	93.6				140.7
	63000	74.0	73.9	76.6	77.7	77.7	86.7	86.7	84.4	98.6	97.2	98.4	96.1	93.6				145.0
	80000	74.0	73.8	75.5	77.6	76.6	87.9	87.4	84.1	100.8	96.4	99.4	98.1	93.6				145.6
OVERALL MEASURED																		
OVERALL CALCULATED		113.6	112.9	113.5	113.7	114.7	116.0	118.0	119.5	125.3	130.2	130.4	130.1	125.5				
PNDB		125.7	125.0	125.5	125.9	126.6	128.0	130.1	132.0	137.8	141.6	142.2	140.3	135.8				

350

SPL INPUT AT STD REV, ALPHA 12273	FREQ	ANGLES FROM INLET IN DEGREES (AND RADIANS)																PWL
		(0.70)	(0.87)	(1.05)	(1.22)	(1.40)	(1.57)	(1.75)	(1.92)	(2.09)	(2.27)	(2.44)	(2.62)	(2.79)	(2.96)	(3.14)	(3.31)	
NO BGA	30	70.8	71.1	71.1	70.4	70.3	71.6	71.4	71.0	74.4	74.8	81.8	82.3	91.6			120.1	
RCB, NO: 0	33	74.1	74.1	74.1	74.5	74.8	75.1	75.0	74.9	82.1	83.6	86.1	87.4	92.7			123.2	
RADIAL 40, FY: (12, M)	80	73.6	73.4	74.3	74.1	74.5	78.7	78.3	76.1	79.3	83.1	88.0	88.9	93.5			123.9	
VERICLE JENOTS	100	75.6	76.4	76.9	77.1	77.1	79.1	80.7	80.6	84.5	87.1	91.1	94.8	97.0			128.1	
PCNFIC JENOTS	125	78.9	78.7	77.4	77.9	79.4	81.7	84.1	84.2	86.2	90.2	93.7	96.1	101.5			131.1	
LCC EVENDALE	140	83.4	82.8	80.4	82.8	81.9	85.6	87.6	86.4	90.4	93.4	95.1	97.6	101.6			132.6	
DATE 05-20-75	200	83.3	83.0	83.3	83.5	84.3	89.3	89.3	87.5	92.8	97.8	101.1	102.6	103.7			136.2	
BUN DBTF=MODEL 7	250	87.5	86.3	87.5	87.8	88.0	89.0	89.3	89.5	98.8	101.8	106.3	106.8	102.7			139.9	
TAPE X76890	315	89.5	89.3	89.3	89.5	91.3	92.0	92.8	94.8	94.0	100.3	106.6	104.3	110.1	106.9		142.4	
BAR 29.3 HG	400	88.4	88.2	87.8	87.9	90.9	92.2	94.8	94.6	98.3	103.8	107.4	109.7	112.7			144.7	
198840, N/M2)	500	92.6	91.1	91.8	90.8	92.9	96.1	97.5	97.0	102.4	107.4	109.7	117.1	110.6			147.3	
TARB 87, DEG F	630	96.8	93.7	94.7	93.2	95.2	95.3	97.4	99.4	106.7	112.2	114.5	117.3	112.7			149.4	
(304, DEG K)	800	96.2	96.2	94.9	95.3	96.5	99.0	98.4	100.4	105.8	112.3	115.2	116.3	112.7			149.3	
THBT 73, DEG F	1000	97.6	95.1	96.7	96.0	96.8	99.9	98.9	100.6	108.8	115.8	116.2	115.2	113.4			150.6	
(294, DEG K)	1220	98.0	97.4	97.1	97.3	98.2	99.2	100.9	102.1	108.8	115.8	116.7	115.1	111.9			150.5	
WACT 0, GH/M3	1600	96.1	96.7	96.7	96.8	98.4	99.8	101.5	102.9	108.6	114.3	114.6	113.5	110.3			149.2	
(1, KG/M3)	2000	97.9	96.1	95.3	98.2	99.1	100.1	101.5	103.1	108.4	113.4	114.4	113.3	110.0			148.9	
DIAMETER RATIO DF/DM 1.00	2500	97.1	95.6	96.8	95.7	97.8	99.3	101.1	103.1	108.1	111.3	114.0	112.2	108.3			147.9	
351	3120	96.1	95.5	96.8	96.9	98.0	99.2	101.1	102.5	107.7	111.0	114.1	111.5	108.3			147.7	
OVERALL MEASURED	4080	93.8	94.1	95.4	95.7	97.5	98.6	100.9	103.0	106.8	109.7	111.2	108.7	104.9			146.0	
OVERALL CALCULATED	5000	93.4	94.3	95.0	95.5	97.2	98.9	100.7	103.4	107.0	109.7	111.0	108.2	104.7			145.9	
	6300	96.3	95.5	95.3	95.9	97.8	98.4	100.7	102.5	105.8	108.4	109.7	107.1	103.4			145.1	
	8000	95.1	95.1	95.9	96.6	97.1	98.2	100.9	102.4	104.2	106.8	108.8	106.8	103.3			144.5	
	10000	93.6	95.9	96.4	96.9	97.4	98.0	100.4	102.0	103.4	103.6	107.4	105.9	103.4			144.0	
	12500	94.9	95.2	96.4	96.3	97.6	98.1	100.0	99.6	101.5	103.7	105.9	104.8	101.7			143.0	
	16000	91.8	93.1	94.6	95.5	96.0	97.1	98.3	98.2	99.6	102.0	104.3	103.1	99.4			141.8	
	20000	88.5	89.9	92.0	92.5	93.4	94.1	95.7	96.5	97.2	99.3	101.8	99.9	96.8			139.6	
	25000	84.6	86.3	88.9	88.7	90.2	91.1	92.6	93.1	94.4	96.3	98.0	97.8	94.8			137.2	
	31500	79.6	81.1	83.6	83.4	86.4	87.2	88.7	88.8	91.5	92.9	96.8	94.9	91.0			134.6	
	40000	74.5	76.5	78.9	79.7	80.3	82.2	83.9	83.7	87.0	88.2	92.9	91.9	87.4			131.1	
	50000	72.2	72.2	74.5	75.4	75.9	77.9	78.9	78.4	87.0	86.5	91.2	89.3	84.7			130.0	
	63000	72.7	71.9	73.8	75.6	74.9	76.6	76.4	74.9	89.3	84.8	89.3	88.8	85.6			131.4	
	80000	74.2	73.5	75.0	77.3	75.6	78.4	78.9	73.0	92.0	85.3	90.1	88.6	86.3			133.9	
		108.3	107.7	108.2	108.5	109.7	110.8	118.7	114.1	118.9	123.7	125.3	125.6	122.2			160.1	
		120.3	119.8	120.3	120.9	121.8	123.0	124.9	126.5	131.2	135.1	137.4	136.3	132.8				

ORIGINAL PAGE IS OF POOR QUALITY

MODEL SOUND PRESSURE LEVELS (59, DEG: F, 70 PERCENT REL. HUM, DAY - JENOTS)

PRQC DATE MONTH 26 DAY 0 HR 0:8

SPL INPUT AT STD REV, ALPHA 12/73	FREQ	ANGLES FROM INLET IN DEGREES (AND RADIANS)																PHL
		40	50	60	70	80	90	100	110	120	130	140	150	160	0	0	0	
NO BGA	30	72,1	74,1	74,6	76,2	74,7	72,1	72,3	73,9	75,8	78,0	79,3	77,6	0	0	0	0	116,0
BGG, NO. 0	33	72,8	73,6	74,9	77,2	76,3	74,9	74,8	75,2	77,1	82,8	83,8	84,7	0	0	0	0	120,3
RADIAL 40, FT.	80	72,4	73,1	75,0	77,9	75,5	73,7	75,1	76,1	78,3	81,6	84,0	85,9	0	0	0	0	120,3
(12, M)	100	72,6	74,1	76,4	77,9	76,4	77,1	78,7	78,1	82,7	84,1	85,6	90,3	0	0	0	0	123,3
VEHICLE JENOTS	125	74,9	75,4	75,7	78,2	77,2	78,9	83,1	80,9	87,7	86,4	88,7	91,3	0	0	0	0	128,2
CONFIG JENOTS	160	78,9	78,6	77,4	80,9	79,1	82,1	84,6	82,9	89,4	89,1	89,6	92,6	0	0	0	0	127,7
LOG EVENDALE	200	79,3	79,0	79,8	80,3	80,5	88,3	84,3	84,0	88,9	93,3	95,6	96,9	0	0	0	0	130,6
DATE 05-20-75	250	83,3	82,5	83,8	84,3	84,3	85,5	89,3	86,0	94,8	97,0	100,5	101,3	0	0	0	0	134,8
SUN DBTF=MODEL 7	315	86,3	85,8	85,8	86,3	87,3	88,0	88,8	90,5	95,0	98,5	102,3	104,9	0	0	0	0	137,3
YARE X70930	400	84,7	85,8	84,8	85,2	87,4	88,5	90,3	96,1	97,4	101,2	104,0	107,8	0	0	0	0	139,6
BAR 29.3 HR	500	87,8	87,1	87,8	87,0	88,2	92,1	92,7	91,7	97,4	101,2	104,0	112,4	0	0	0	0	142,3
(98874, N/MS)	600	90,1	89,2	90,2	89,0	90,5	90,3	92,9	94,9	100,9	105,0	108,5	112,8	0	0	0	0	144,2
YARB 89, DEG F	800	90,5	90,7	90,2	90,8	91,5	91,8	92,7	93,6	99,1	103,8	106,7	109,3	0	0	0	0	142,1
(303, DEG K)	1000	90,8	89,1	91,5	90,7	91,3	91,4	92,9	93,9	101,8	105,8	106,0	106,7	0	0	0	0	141,6
WYET 73, DEG F	1250	90,3	90,9	91,1	91,3	93,0	92,4	92,7	92,7	102,1	105,7	105,7	104,4	0	0	0	0	141,0
(298, DEG K)	1600	89,3	91,0	90,7	91,8	93,2	93,0	96,0	97,5	102,2	104,3	103,9	103,0	0	0	0	0	140,2
WACT 0, GM/H3	2000	91,4	91,1	90,6	92,4	94,7	94,9	97,1	97,4	102,7	103,1	104,7	103,8	0	0	0	0	140,4
1, KG/H3	2500	91,1	91,3	92,0	91,7	93,0	94,5	96,3	97,8	102,1	103,1	104,0	102,7	0	0	0	0	139,9
PREQ: SHIPT	3150	91,1	90,8	92,3	92,9	93,7	93,2	96,4	97,5	101,9	102,5	103,3	102,5	0	0	0	0	139,8
JET 0	4000	90,1	90,2	91,7	93,0	94,0	94,8	96,9	98,8	101,1	102,3	102,5	102,2	0	0	0	0	139,7
DIA METER RAYLO	5000	89,7	90,3	92,1	92,5	94,7	93,4	98,7	99,7	102,0	102,7	103,8	103,7	0	0	0	0	140,6
DF/DH 1.00	6300	90,1	90,5	91,9	93,2	94,1	95,5	97,5	99,2	100,6	102,1	104,0	104,6	0	0	0	0	140,7
10000	89,4	89,9	91,1	92,4	93,7	95,0	97,4	98,6	99,5	100,3	102,9	104,0	102,8	0	0	0	0	140,1
12500	88,7	89,2	89,7	91,9	93,4	94,1	97,2	98,0	98,4	99,4	101,2	103,4	102,3	0	0	0	0	139,5
16000	87,2	87,0	88,7	90,6	92,4	94,2	96,0	96,2	97,1	98,0	100,4	101,9	100,8	0	0	0	0	138,6
20000	84,1	85,1	86,2	88,8	90,6	92,9	94,1	94,7	95,2	96,1	98,9	100,1	98,0	0	0	0	0	137,2
25000	81,8	82,2	84,0	85,6	87,3	89,7	91,3	92,6	92,8	94,2	96,2	98,0	95,3	0	0	0	0	135,2
31500	78,4	79,1	80,5	82,2	84,2	86,7	88,6	88,7	90,0	90,4	93,6	95,2	92,6	0	0	0	0	132,7
40000	72,9	74,0	75,7	76,5	80,5	82,1	85,8	84,4	85,9	87,0	90,1	92,2	88,6	0	0	0	0	129,5
50000	68,2	68,7	71,0	71,8	74,4	76,8	78,2	79,8	80,9	82,3	85,5	88,7	85,7	0	0	0	0	125,9
60000	63,5	63,7	65,5	66,2	72,0	74,0	75,2	74,2	79,4	80,9	85,1	86,4	83,8	0	0	0	0	125,0
80000	63,3	62,7	64,9	66,2	73,4	75,7	75,2	72,2	80,9	82,2	85,6	85,8	85,1	0	0	0	0	127,4
80000	64,2	63,5	65,0	67,3	75,9	77,7	77,2	73,1	83,1	84,4	88,1	87,4	85,6	0	0	0	0	132,4
OVERALL MEASURED																		
OVERALL CALCULATED		102,2	102,3	103,2	104,0	105,3	106,6	108,4	109,6	113,1	113,4	116,9	119,4	0	0	0	0	136,7
PNDB		114,9	114,9	116,0	116,7	117,8	119,0	120,7	122,1	123,7	127,2	128,4	129,1	0	0	0	0	127,1

352

REV. ALPHA 12/73	FREQ.	ANGLES FROM INLET IN DEGREES (AND RADIANS)																		PHL
		30	40	50	60	70	80	90	100	110	120	130	140	150	160	0	0	0		
NO EGA	50	63,1	64,1	65,1	65,2	64,2	64,8	65,4	66,0	66,4	67,3	69,3	70,8	64,8	78,0				108,9	
RDG. NO. 0	63	65,1	65,8	66,7	67,0	66,3	67,4	68,0	69,2	68,9	70,1	71,8	74,1	71,0	80,6				111,7	
RADIAL 40 FT	80	65,9	66,9	67,8	68,4	68,5	69,2	70,1	70,8	71,8	72,9	75,0	78,1	74,3	83,9				114,6	
(12 M)	100	68,2	68,9	70,2	70,2	70,2	72,2	73,7	75,1	76,0	77,2	78,9	82,8	81,3	88,2				118,9	
VEHICLE JENOTS	125	70,5	70,7	71,2	72,2	71,2	74,5	77,2	77,2	78,2	80,5	82,2	85,6	85,5	91,5				122,0	
CONFIG J8-053	160	74,9	73,7	73,9	74,9	75,2	78,2	79,9	79,7	81,7	82,9	84,2	86,9	86,6	92,6				123,8	
LOC EVENDALE	200	76,3	78,2	76,2	76,5	76,5	78,8	79,3	81,7	81,8	83,8	85,1	89,1	89,7	95,8				125,9	
DATE 04-07-75	250	79,5	79,8	79,3	80,8	79,8	81,0	80,8	83,0	87,8	86,5	89,3	91,1	93,9	97,9				128,9	
RUN DBTF R=40	315	81,0	79,8	79,8	81,0	81,3	82,7	81,3	85,3	85,3	86,8	89,8	91,5	93,2	100,8				130,3	
TAPE X80010	400	77,2	76,5	77,8	79,4	80,4	80,7	81,6	83,8	85,3	87,8	86,3	93,3	95,5	97,1				129,0	
BAR 29.9 HG	500	79,3	79,8	81,3	80,3	81,0	82,4	84,2	85,5	86,4	87,7	89,2	93,4	95,6	96,1				129,8	
(01039 N/42)	630	80,1	81,5	82,7	81,5	82,2	83,0	84,9	86,4	87,2	88,0	90,2	94,6	96,2	97,6				130,3	
YAWR 59 DEG F	800	80,0	81,9	82,6	82,8	83,3	83,3	84,7	87,4	88,0	90,5	92,5	94,8	94,2	98,5				130,3	
(288 DEG K)	1000	81,8	81,4	83,8	83,4	83,3	84,9	86,2	87,4	88,7	90,9	92,0	94,2	93,4	93,2				130,0	
TWET 53 DEG F	1250	82,3	82,5	83,9	83,6	83,8	84,7	86,2	87,5	88,0	90,9	93,1	94,0	92,7	90,2				129,9	
(285 DEG K)	1600	81,4	82,5	83,0	83,5	83,9	85,0	86,1	87,5	87,9	89,6	91,9	94,0	89,7	87,5				129,1	
HACT 8.91 GM/M3	2000	82,7	82,2	81,9	84,3	84,6	84,7	84,9	87,4	87,3	89,2	91,3	92,1	88,4	85,9				129,4	
(.0089 KG/M3)	2500	81,9	82,9	82,6	81,9	82,7	83,6	84,6	86,3	87,2	89,2	89,6	90,8	87,0	84,9				127,5	
FREQ. SHIFT	3150	80,7	82,6	82,5	81,9	82,8	83,0	83,7	85,6	86,2	88,3	88,9	89,8	86,0	83,6				126,8	
JET 0	4000	79,4	81,7	81,5	81,3	82,4	82,8	83,4	85,5	86,1	87,4	87,6	87,3	83,6	81,5				125,9	
DIAMETER RATIO	5000	79,1	80,3	80,9	81,4	81,4	82,9	84,4	85,3	85,6	87,6	87,9	86,7	83,1	80,2				125,3	
DF/DM 1.00	6300	78,2	80,7	80,7	81,3	81,6	82,6	82,8	84,0	85,0	86,8	86,3	85,6	82,5	79,3				125,1	
	8000	77,3	80,1	80,3	81,1	81,3	81,9	81,8	83,7	84,1	85,5	85,7	84,5	81,2	79,2				124,6	
	10000	76,4	79,6	80,2	80,7	81,2	81,3	81,7	83,2	83,8	85,1	84,6	83,2	80,9	78,5				124,4	
	12500	75,2	79,0	79,3	80,0	80,9	80,7	81,0	82,3	83,3	84,4	84,0	82,0	79,7	76,8				123,9	
	16000	74,3	79,4	78,9	78,9	80,3	80,4	81,0	82,0	82,0	82,6	81,8	80,8	78,6	75,4				123,4	
	20000	75,3	81,6	80,8	81,6	82,4	82,8	83,7	85,7	85,6	84,1	81,2	79,7	78,0	76,6				126,1	
353	25000	80,4	89,6	88,6	88,9	88,9	90,7	90,8	93,1	93,1	90,9	87,6	83,8	82,6	80,3				133,8	
	31500	73,1	81,9	81,2	80,6	80,2	81,8	81,3	83,0	82,9	82,4	81,0	78,1	76,2	73,3				125,5	
	40000	67,2	75,5	75,2	76,0	76,3	76,4	81,3	76,2	75,6	74,6	73,8	71,0	70,4	67,9				121,2	
	50000	64,7	74,4	74,2	74,0	73,9	76,4	80,7	78,9	76,9	74,8	73,0	69,2	68,8	67,2				122,1	
	63000	61,2	69,7	70,3	70,0	69,6	70,1	72,6	73,2	71,9	71,3	69,8	68,3	66,5	66,3				118,6	
	80000	56,8	66,1	66,7	66,9	67,2	67,5	69,6	70,8	68,2	70,7	67,8	68,8	66,0	67,0				119,3	
OVERALL MEASURED																				
OVERALL CALCULATED		93,3	95,8	95,9	96,1	96,4	97,5	98,3	100,0	100,6	101,7	102,7	104,8	104,7	107,3				142,3	
PND8		105,3	106,7	106,8	106,9	107,4	108,1	108,9	110,7	111,4	113,2	114,1	115,5	113,4	114,8					

Model 8

ORIGINAL PAGE IS OF POOR QUALITY

REV. ALPHA 12/73	FREQ.	ANGLES FROM INLET IN DEGREES (AND RADIANS)															PHL		
		30, (0,52)	40, (0,70)	50, (0,87)	60, (1,05)	70, (1,22)	80, (1,40)	90, (1,57)	100, (1,75)	110, (1,92)	120, (2,09)	130, (2,27)	140, (2,44)	150, (2,62)	160, (2,79)	(0,0)		(0,0)	(0,0)
NO EGA	50	63,8	63,6	66,6	66,4	67,5	68,1	67,9	69,3	68,4	69,6	71,5	74,0	68,8	80,5				111,5
RDG. NO. 0	63	66,6	67,8	68,7	68,5	69,3	70,2	70,3	71,9	72,1	73,8	75,3	78,1	73,5	84,1				114,9
RADIAL 40, FT.	80	68,4	69,6	70,5	70,6	71,5	72,4	72,8	74,3	74,1	75,9	78,5	81,6	78,3	87,4				117,9
(12, 4)	100	71,9	72,4	74,2	73,7	73,2	75,2	76,7	78,8	79,5	80,4	82,7	86,5	85,3	91,9				122,6
VEHICLE JENOTS	125	74,7	74,5	74,7	75,5	75,0	77,5	80,2	80,7	81,7	84,5	86,0	89,4	89,5	94,5				125,5
CONFIG JEP053	160	79,7	77,4	77,7	78,7	78,4	81,2	83,1	83,7	85,9	87,4	88,2	91,2	91,4	95,6				127,6
LOC EVENDALE	200	80,3	81,0	79,0	80,8	80,8	82,3	82,8	84,5	86,0	88,3	89,6	94,1	94,5	98,8				129,9
DATE 04-07-75	250	82,3	82,5	82,5	83,3	83,0	84,3	84,0	86,0	86,0	91,2	90,7	92,5	95,0	97,7	100,4			132,1
RUN DBTF R=40	315	84,0	83,8	83,0	84,0	85,0	86,0	84,3	89,0	88,3	90,5	93,5	94,9	99,2	104,5				134,0
TAPE X80030	400	80,7	80,5	81,3	83,2	84,2	84,7	85,8	87,6	89,3	91,6	91,3	97,8	100,0	100,1				133,1
BAR 29,9 HG	500	82,8	83,6	85,3	84,0	85,5	86,6	88,5	89,7	90,9	92,2	94,5	100,9	101,1	98,8				134,6
(01039, N/42)	630	83,3	86,0	86,5	85,5	86,7	86,8	88,9	90,6	91,4	92,5	95,7	100,1	99,7	99,3				134,4
TAMB 59, DEG F	800	84,5	85,9	86,9	87,3	87,8	88,0	89,2	92,4	92,5	95,5	98,0	99,5	99,0	99,7				135,0
(298, DEG K)	1000	86,3	85,9	89,3	87,7	88,0	89,5	91,2	92,9	93,7	96,4	98,7	100,2	97,9	95,9				135,4
THET 53, DEG F	1250	86,8	87,5	88,9	88,6	89,0	89,7	91,2	93,0	93,7	96,4	99,4	100,0	97,2	94,5				135,4
(295, DEG K)	1600	86,4	88,8	88,5	88,8	88,9	90,6	91,8	93,6	93,7	96,6	99,2	99,3	95,9	92,8				135,3
HACT 8.91 G4/M3	2000	87,7	88,5	87,7	89,8	90,6	91,5	91,4	93,7	94,4	97,0	98,3	99,1	95,7	92,9				135,3
(.00891 KG/M3)	2500	87,7	89,0	89,4	88,1	89,3	90,1	91,6	93,6	94,7	97,5	98,2	98,6	95,1	92,7				135,2
FREQ. SHIFT	3150	86,5	89,6	89,3	89,5	89,6	90,3	91,3	93,6	94,3	97,4	97,7	98,1	95,3	92,6				135,1
JET 0	4000	85,5	88,5	88,6	88,6	89,5	90,4	90,9	93,5	94,9	97,5	96,9	96,9	94,1	92,6				134,7
DIAMETER RATIO	5000	85,4	88,2	88,3	88,7	88,9	90,7	91,4	93,9	95,5	97,9	97,4	97,3	94,2	93,2				135,1
DF/DM 1.00	6300	85,0	87,6	88,0	89,1	89,6	90,7	91,2	93,4	94,8	97,4	96,9	96,7	95,1	94,1				135,0
	8000	84,1	87,4	88,0	89,4	89,9	90,5	90,9	93,9	94,7	96,6	96,8	95,9	95,1	95,6				135,1
	10000	84,2	87,4	87,4	89,0	89,7	90,1	90,7	93,3	94,4	95,9	96,1	95,2	95,2	96,0				135,0
	12500	82,9	86,7	87,3	87,8	88,9	89,2	90,7	92,8	93,8	95,4	95,3	94,2	94,1	94,1				134,6
	15000	81,0	85,3	86,1	86,7	88,6	88,8	89,7	91,9	92,2	94,9	93,8	92,8	92,8	92,8				133,9
	20000	79,5	83,3	84,5	85,3	86,0	87,2	88,3	90,6	91,2	92,5	91,9	90,6	90,7	90,2				132,5
354	25000	78,2	84,2	84,4	84,9	84,8	87,1	88,7	91,5	91,0	90,8	90,0	88,4	88,5	87,4				132,2
	31500	77,4	85,5	85,1	83,5	83,1	86,1	87,9	91,6	90,3	89,7	88,9	86,2	86,3	85,7				132,1
	40000	73,1	81,1	81,6	81,4	81,2	81,5	81,9	85,1	85,0	85,5	85,2	82,4	82,8	82,6				128,2
	50000	69,4	75,3	76,6	77,6	76,8	78,3	78,6	80,8	81,6	82,2	82,2	79,4	79,8	79,1				125,6
	63000	67,4	72,1	72,8	74,3	73,3	75,3	75,3	77,9	78,8	80,0	80,0	78,0	77,7	77,0				124,9
	80000	66,8	67,9	68,7	69,9	70,2	70,8	71,4	73,3	76,5	80,2	78,0	78,5	76,8	77,0				126,1
OVERALL MEASURED																			
OVERALL CALCULATED		98,2	100,3	100,7	101,1	101,7	102,6	103,6	105,9	106,7	109,0	109,9	111,1	110,2	111,0				148,1
PNDB		110,7	112,9	113,0	113,3	113,7	114,7	115,5	117,8	118,9	121,3	122,0	123,0	121,1	120,4				

REV: ALPHA 12773	FREQ.	ANGLES FROM INLET IN DEGREES (AND RADIAN\$)															PHL		
		30	40	50	60	70	80	90	100	110	120	130	140	150	160	0		0	0
NO EGA	50	68,8	69,6	71,9	70,9	71,0	70,6	71,1	72,0	72,4	75,1	77,5	79,8	74,9	87,7				117,2
RDG: NO. 0	63	71,1	72,6	74,2	74,0	74,0	74,4	75,0	75,7	76,1	78,8	81,3	84,1	81,2	90,8				120,8
RADIAL 40, FT.	80	73,6	74,6	76,5	76,1	76,3	76,7	77,6	79,1	80,6	81,9	85,2	88,6	84,8	94,6				124,5
(12, M)	100	76,9	76,9	78,9	77,9	77,9	79,2	81,2	83,3	84,0	86,2	88,2	92,3	91,3	98,2				128,3
VEHICLE JENOTS	125	79,5	79,2	80,0	80,2	79,5	82,0	84,7	85,5	86,5	89,2	91,2	95,4	94,3	101,0				131,2
CONFIG. JEP-053	160	84,4	81,7	82,7	83,4	83,2	85,7	87,4	87,9	89,9	91,7	92,9	96,2	96,1	101,1				132,5
LOC EVENDALE	200	84,5	85,3	83,3	84,7	84,7	85,8	86,8	87,8	89,0	92,7	95,5	98,9	99,7	105,7				135,5
DATE 04-07-75	250	86,3	86,9	86,6	86,8	86,0	87,3	87,0	88,8	93,8	94,6	97,3	100,0	102,9	105,2				136,7
RUN DBTF-R=40	315	88,3	86,5	87,0	88,0	89,0	89,5	87,8	91,8	92,5	95,5	99,5	101,6	105,2	108,8				139,0
TAPE X80050	400	84,4	83,5	85,3	86,4	87,9	88,5	90,1	91,8	93,8	97,1	97,3	103,3	106,0	105,4				138,5
BAR 29,9 HG	500	87,1	87,8	89,6	88,3	89,0	90,6	91,5	93,5	95,2	97,2	99,5	105,6	105,3	102,6				139,0
(01039, N/42)	630	88,3	89,7	90,5	89,7	90,5	90,8	92,9	94,6	95,7	98,2	102,7	105,8	105,7	102,8				139,9
TAMB 59, DEG F	800	88,5	89,9	90,6	90,3	91,8	92,3	92,2	96,1	97,3	100,8	104,0	104,8	103,2	104,7				140,1
(288, DEG K)	1000	90,8	90,6	92,0	91,7	92,5	93,9	95,2	97,1	98,4	102,9	105,5	104,9	102,1	100,4				140,7
THET 53, DEG F	1250	91,3	91,7	92,5	92,8	93,3	94,2	96,2	97,7	99,0	103,4	106,4	105,5	102,2	99,7				141,3
(285, DEG K)	1600	90,9	93,0	92,7	93,5	94,1	95,5	96,8	98,5	99,9	103,6	105,6	106,0	102,7	99,5				141,5
MACT 8,91 GM/M3	2000	92,9	92,9	92,4	95,0	95,6	96,2	96,6	98,9	100,6	104,5	105,5	105,9	103,9	101,1				141,9
(.00891 KG/M3)	2500	91,9	94,2	94,4	93,3	94,0	95,3	97,1	99,5	101,4	105,2	105,9	106,1	103,8	103,1				142,4
FREQ. SHIFT	3150	93,0	94,3	94,0	94,7	95,0	96,0	96,7	99,6	101,0	105,8	105,9	106,1	105,5	104,8				142,8
JET 0	4000	93,2	94,4	93,7	94,3	95,1	96,6	97,4	100,5	102,3	105,4	105,6	105,8	106,3	106,0				143,2
DIAMETER RATIO	5000	98,8	98,8	95,9	96,4	96,1	97,7	98,1	101,1	103,1	105,6	106,5	107,9	111,1	110,7				145,4
DF/DM 1,00	6300	97,7	99,7	98,9	97,8	97,1	97,4	98,1	100,5	102,5	105,1	106,3	107,4	108,3	105,3				144,3
	8000	97,0	99,3	100,1	100,6	99,8	98,6	98,3	101,0	102,8	105,0	106,0	107,5	107,9	104,4				144,7
	10000	95,9	97,6	98,9	100,5	101,2	101,1	98,9	101,2	102,6	104,6	106,3	106,7	107,1	104,7				144,9
	12500	95,2	95,7	97,3	98,3	99,4	100,2	100,2	101,6	102,0	103,9	105,3	105,7	105,4	102,1				144,3
	16000	93,3	95,6	96,1	96,9	98,1	98,4	100,0	101,5	101,7	102,4	103,8	104,3	103,8	99,9				143,6
	20000	91,5	93,8	94,5	95,2	96,6	96,6	97,9	100,0	101,1	101,3	103,2	102,0	101,5	98,1				142,6
	25000	89,6	92,1	93,1	94,4	94,9	95,5	96,8	98,6	99,4	100,2	100,6	100,0	100,1	96,3				141,4
	31500	86,8	90,1	90,4	91,9	92,7	94,0	94,8	97,0	96,9	97,9	99,3	97,9	98,4	93,6				140,0
	40000	84,0	87,2	88,5	89,5	89,8	90,6	91,6	93,5	94,3	95,1	96,3	94,7	95,9	92,2				137,9
	50000	81,5	84,2	85,4	86,7	86,4	87,4	88,2	90,4	91,1	92,5	94,8	93,0	94,3	89,9				136,5
	63000	79,0	80,9	82,6	83,3	83,1	84,1	84,8	87,7	88,6	90,5	92,8	91,0	92,0	88,5				136,0
	80000	77,5	77,4	78,4	79,7	79,7	80,8	81,6	84,6	85,0	90,2	91,0	90,8	90,8	88,5				137,4
OVERALL MEASURED																			
OVERALL CALCULATED		106,7	108,1	108,2	108,8	109,2	109,7	110,2	112,4	113,8	116,5	117,9	118,8	119,0	118,2				156,0
PND8		119,5	120,1	119,7	119,5	119,5	120,6	121,2	123,9	125,6	128,9	129,9	131,0	132,1	131,6				

Model 8

ORIGINAL PAGE IS OF POOR QUALITY

REV. ALPHA 12/73	FREQ.	ANGLES FROM INLET IN DEGREES (AND RADIANS)															PWL		
		30	40	50	60	70	80	90	100	110	120	130	140	150	160	0		0	0
NO EGA	50	63,3	64,3	66,1	64,2	64,0	64,6	65,4	66,0	66,6	66,8	70,5	72,8	67,6	79,0				109,7
RDG. NO.	80	65,6	66,1	67,7	67,2	67,0	67,4	68,0	69,4	68,9	70,8	74,1	76,1	73,5	82,3				113,0
RADIAL 40, FT.	100	66,4	67,9	68,5	68,6	69,3	69,2	70,6	71,3	72,1	73,4	77,0	80,4	76,5	85,6				116,1
(12, M)	125	69,7	69,9	71,4	71,2	70,9	72,4	74,2	76,1	77,2	78,2	80,9	85,3	84,0	90,4				120,9
VEHICLE JENOTS	160	73,2	73,0	73,2	73,5	72,5	75,2	78,2	78,5	79,7	82,0	84,5	89,1	87,3	92,8				123,7
CONFIG JE-053	200	77,2	76,2	75,7	76,4	76,4	78,9	80,6	80,9	83,2	84,4	86,2	88,9	88,9	93,4				125,2
LOC EVENDALE	250	78,3	79,8	77,0	77,3	78,3	80,0	80,3	81,8	83,0	85,8	88,6	92,1	92,5	96,3				127,7
DATE 04-07-75	315	81,0	80,5	80,5	81,0	80,0	82,5	82,5	84,5	88,8	88,8	92,5	94,0	97,4	99,1				131,1
RUN DBTF R=40	400	83,8	81,8	81,8	82,3	83,0	84,7	83,3	88,0	88,5	92,3	94,8	96,9	100,4	105,5				135,0
TAPE X80060	500	79,9	78,5	79,1	80,7	81,7	82,5	84,1	86,8	88,3	91,8	91,8	99,3	101,2	102,4				134,2
BAR 29,9 HG	630	83,1	82,3	83,1	82,0	82,7	84,4	85,5	88,0	88,9	91,2	93,2	100,4	101,3	99,8				134,2
(01039, N/42)	800	82,8	83,7	83,5	82,7	83,7	84,0	86,4	88,4	89,9	91,7	94,2	99,8	101,2	103,3				134,9
TAMB 59, DEG F	1000	82,2	83,4	83,9	84,3	84,5	85,0	86,4	89,7	90,6	94,3	96,2	99,0	97,7	102,2				134,1
(288, DEG K)	1250	83,4	82,9	84,8	85,2	85,1	86,2	88,2	89,1	91,2	94,1	95,5	99,5	97,4	98,2				133,7
TWET 53, DEG F	1600	83,1	83,0	84,2	84,6	85,0	86,3	87,5	89,5	90,5	93,9	96,7	97,8	96,2	94,0				132,9
(285, DEG K)	2000	81,7	84,1	83,8	84,8	85,2	86,6	87,4	90,1	90,4	92,9	95,7	96,6	93,5	91,1				131,9
HACT 8,91 GM/M3	2500	82,8	83,0	82,4	85,1	85,4	86,5	86,9	89,0	90,4	92,3	94,3	95,4	92,0	89,7				131,1
(00891 KG/M3)	3150	81,0	83,3	83,7	82,9	84,1	85,2	86,7	88,4	89,8	92,1	93,0	93,9	89,6	87,2				130,0
FREQ. SHIFT	4000	80,4	83,2	82,8	83,5	83,7	84,9	85,3	88,2	88,9	91,2	92,2	92,2	89,1	86,2				129,2
JET 0	5000	78,8	82,1	82,2	82,7	83,3	84,7	85,3	87,6	88,2	90,6	90,0	90,0	86,2	84,2				128,1
DIAMETER RATIO	6300	78,7	81,5	81,4	82,1	82,8	84,1	85,0	86,8	88,3	90,2	90,2	89,1	85,3	83,6				127,5
DF/DM 1,00	8000	77,2	81,0	81,6	82,5	83,5	83,9	84,3	86,3	87,7	89,3	89,0	88,1	85,0	82,5				127,3
10000	76,8	80,7	81,2	82,0	83,0	83,4	83,0	85,3	86,5	88,1	87,7	86,9	85,8	83,0	81,1				126,4
12500	76,2	80,5	80,8	81,3	81,9	82,4	82,5	85,1	85,3	86,9	86,0	85,2	81,9	79,8					126,1
16000	74,4	79,0	79,5	80,0	81,0	81,2	82,1	83,6	83,9	85,5	84,7	83,5	80,7	78,6					125,2
20000	73,5	80,1	79,8	80,1	80,4	80,6	80,9	82,2	83,1	83,3	83,7	81,5	79,0	76,6					124,6
25000	77,8	89,8	88,3	88,1	86,1	87,4	87,3	89,5	87,3	83,6	82,6	80,9	79,6	77,5					130,5
31500	78,0	89,3	88,1	87,6	86,9	87,7	87,0	89,9	89,1	83,8	82,5	80,6	79,6	77,0					131,3
40000	67,0	76,7	77,7	78,0	76,6	76,1	75,6	77,7	77,1	76,6	77,1	74,5	73,2	72,2					121,5
50000	63,3	73,5	74,0	74,3	73,2	74,0	73,8	75,5	74,5	74,1	75,4	74,3	72,4	72,5					120,1
63000	61,9	74,1	73,8	72,7	71,3	72,3	72,8	75,3	74,0	71,7	75,2	75,4	73,9	74,7					121,5
80000	56,3	66,6	66,7	67,7	67,2	67,3	67,9	70,3	68,0	71,2	76,0	77,5	75,5	76,2					122,7
OVERALL MEASURED		94,3	97,2	97,0	97,3	97,4	98,5	99,2	101,4	102,3	104,4	106,4	108,9	109,2	111,2				145,1
OVERALL CALCULATED		105,7	107,6	107,6	108,2	108,6	109,8	110,6	112,9	113,9	116,2	117,4	118,9	117,3	118,6				

Model 8

REV. ALPHA 12/73	FREQ.	ANGLES FROM INLET IN DEGREES (AND RADIANS)																PHL	
		30, (0,52)	40, (0,70)	50, (0,87)	60, (1,05)	70, (1,22)	80, (1,40)	90, (1,57)	100, (1,75)	110, (1,92)	120, (2,09)	130, (2,27)	140, (2,44)	150, (2,62)	160, (2,79)	0, (0,0)	0, (0,0)		0, (0,0)
NO EGA	50	66,6	67,1	67,6	67,7	68,0	68,1	69,1	69,8	70,4	71,3	74,5	77,0	72,1	85,7				114,8
RDG. NO. 0	63	68,8	70,3	70,7	70,2	70,8	71,2	72,5	73,7	73,9	75,3	78,1	80,9	77,2	88,1				117,8
RADIAL 40, FT.	80	70,6	72,1	73,3	72,9	72,8	73,2	74,8	75,8	76,3	77,9	81,2	84,6	81,0	91,4				121,0
(12, M)	100	74,2	74,9	76,2	75,7	75,2	76,4	79,0	80,6	81,0	82,4	85,4	89,5	88,5	95,7				125,6
VEHICLE JENOTS	125	77,7	77,2	77,7	77,7	77,0	80,2	82,7	83,2	84,5	86,7	88,7	88,7	92,6	91,3				128,5
CONFIG JE-053	160	82,7	79,9	80,4	80,9	81,2	83,2	84,9	85,7	87,9	89,7	91,2	94,4	93,9	99,4				130,5
LOC EVENDALE	200	82,8	84,4	82,4	82,3	81,8	84,3	85,9	86,3	88,4	90,9	93,3	97,6	97,7	101,3				132,8
DATE 04-07-75	250	86,0	85,5	85,3	85,3	85,5	86,0	85,8	87,8	92,8	92,5	96,8	100,5	101,7	103,9				135,9
RUN. DBTF R=40	315	87,8	86,0	85,5	86,5	87,0	88,5	88,5	91,5	90,5	94,5	98,8	101,1	104,4	108,5				138,5
TAPE X80080	400	84,2	83,2	84,3	85,7	86,7	87,0	88,6	90,3	92,1	95,6	96,0	103,5	105,2	106,1				138,2
BAR 29,9 HG	500	87,1	87,6	88,1	86,5	87,2	89,1	90,0	92,2	93,7	95,7	98,5	105,4	106,6	103,6				139,1
(01039, N/42)	630	87,3	88,2	89,2	88,2	88,7	88,8	91,4	92,9	94,7	96,2	100,5	104,8	105,4	105,1				139,1
TAMB 59, DEG F	800	87,0	88,7	89,7	89,5	90,3	90,3	91,4	94,2	96,1	99,3	102,0	103,5	102,6	105,3				139,0
(288, DEG K)	1000	89,1	88,7	90,6	89,9	90,6	91,7	93,2	95,1	96,4	100,1	102,5	103,4	103,3	100,9				138,8
TWET 53, DEG F	1250	89,1	89,8	90,2	90,6	91,0	92,5	94,5	95,5	96,2	100,2	103,4	103,3	100,3	97,8				138,8
(285, DEG K)	1500	88,4	90,8	90,3	90,8	91,9	93,1	94,1	96,1	97,2	99,9	101,9	102,3	99,5	96,6				138,2
HACT 8,91 GH/M3	2000	90,0	90,7	89,9	92,1	92,4	93,5	93,9	96,0	97,1	100,3	101,6	102,4	98,8	97,2				138,3
(.00891, KG/M3)	2500	89,5	90,8	91,2	90,4	91,6	93,2	93,9	96,1	97,5	100,8	101,0	101,7	98,6	97,2				138,1
FREQ. SHIFT	3150	88,6	91,0	91,1	91,3	91,9	92,7	93,8	96,4	97,4	100,7	101,5	101,9	99,4	98,4				138,2
JET 0	4000	87,6	90,4	90,4	90,7	91,6	93,0	93,5	95,9	97,5	100,1	101,7	100,2	99,0	99,2				137,9
DIAMETER RATIO	5000	87,9	90,5	90,4	90,3	91,8	93,1	94,3	96,5	98,6	100,7	101,2	101,4	100,5	100,6				138,7
DFZDM 1,00	6300	87,9	90,5	90,6	91,5	91,5	93,6	93,5	96,5	97,9	100,3	100,3	101,1	102,0	101,5				138,8
	8000	89,0	91,5	90,8	91,5	92,3	93,3	93,5	96,2	98,0	99,9	100,4	100,5	102,6	102,6				139,1
	10000	90,0	92,7	92,0	91,8	92,5	92,9	93,5	96,6	97,7	99,4	100,7	100,3	102,0	101,8				139,1
	12500	88,9	92,2	92,3	92,3	92,7	92,4	92,7	95,6	96,8	98,6	98,8	99,5	100,7	99,3				138,3
	16000	86,4	89,7	90,7	92,0	92,7	92,0	92,3	94,8	95,6	97,3	97,4	98,5	99,2	97,6				137,8
	20000	84,0	86,8	87,5	89,6	90,9	91,1	91,7	92,7	94,3	95,8	96,0	96,5	96,8	95,6				136,5
	25000	82,1	85,3	86,3	87,1	87,9	89,4	90,8	91,8	92,3	93,6	94,1	94,2	94,8	93,0				135,1
	31500	79,0	83,6	84,1	85,1	85,9	88,4	89,8	91,9	90,8	91,8	92,2	91,8	92,6	90,3				134,1
	40000	76,5	83,5	84,2	84,0	84,3	85,4	87,8	90,5	89,8	88,9	89,8	88,0	89,7	88,4				132,8
	50000	72,8	77,5	79,2	79,8	79,0	81,3	83,3	86,5	86,0	86,6	87,6	85,8	87,4	85,8				130,5
	63000	69,9	73,4	74,5	75,2	75,0	76,0	78,8	82,3	82,0	83,7	84,5	83,4	85,6	83,0				129,0
	80000	67,8	68,6	69,4	70,5	70,7	71,8	77,1	80,6	78,5	82,2	81,0	81,3	83,0	80,0				129,5
OVERALL MEASURED																			
OVERALL CALCULATED		101,3	103,1	103,3	103,6	104,3	105,2	106,1	108,4	109,7	112,2	113,6	115,2	115,3	115,9				151,8
PNSD		113,3	115,1	115,1	115,4	116,0	117,2	118,0	120,4	121,7	124,5	125,8	126,6	125,8	126,0				

Model 8

ORIGINAL PAGE IS
OF POOR QUALITY

REV. ALPHA 12/73	FREQ.	ANGLES FROM INLET IN DEGREES (AND RADIAN)															PWL		
		30. (0.52)	40. (0.70)	50. (0.87)	60. (1.05)	70. (1.22)	80. (1.40)	90. (1.57)	100. (1.75)	110. (1.92)	120. (2.09)	130. (2.27)	140. (2.44)	150. (2.62)	160. (2.79)	0. (0.0)		0. (0.0)	0. (0.0)
NO EGA	50	70.1	70.1	71.4	70.9	71.2	71.1	72.4	72.5	77.1	75.8	78.8	81.5	76.6	94.0				121.5
RDG. NO. 0.	80	72.3	72.8	73.4	74.0	74.5	74.4	75.3	75.9	78.9	79.6	82.6	85.1	81.0	95.3				123.5
RADIAL 40. FT.	100	75.1	75.6	76.5	76.1	77.3	77.2	78.0	79.6	82.1	83.1	86.2	89.4	85.5	97.1				126.2
(12. H.)	125	78.9	78.9	79.9	79.4	79.4	80.4	82.5	83.8	86.2	86.7	89.7	93.5	92.5	100.7				130.1
VEHICLE JEMOTS	160	82.7	81.2	81.5	81.7	81.7	84.2	86.2	86.7	88.2	90.7	93.0	96.6	95.5	103.5				133.0
CONFIG JE-053.	200	87.7	84.4	84.7	85.2	85.7	87.4	89.6	89.7	92.2	93.2	95.2	98.7	98.4	104.4				135.0
LOC EVERDALE	250	89.0	89.0	87.8	88.5	88.3	89.5	89.9	90.9	93.8	94.5	98.3	103.3	103.9	107.8				138.5
DATE 04-04-75	315	89.0	89.0	87.8	88.5	88.3	89.5	89.9	91.0	97.0	96.3	101.3	104.0	106.7	107.1				139.8
RUN DBTF R=436	400	91.5	89.0	89.0	90.0	91.0	92.0	90.3	94.3	95.0	98.5	103.3	105.1	109.2	111.8				142.4
TAPE X80100	500	80.7	87.0	87.3	88.9	90.4	90.5	92.3	94.3	96.6	99.6	100.8	107.0	109.5	108.6				141.9
BAR 29.9 HG	630	91.6	91.3	91.6	90.3	91.7	92.4	94.5	96.5	98.2	100.4	103.7	110.1	111.3	108.6				143.8
(1039, M/H2)	800	92.1	92.5	93.0	92.0	93.0	92.8	95.1	97.1	99.2	102.0	106.0	109.3	110.7	109.8				144.0
TAMP 59. DEG F	1000	92.0	92.4	93.7	93.8	94.0	94.5	95.9	99.2	100.6	104.0	107.7	108.0	108.0	110.2				143.9
(288, DEG K)	1250	93.9	92.9	93.8	93.7	94.8	95.7	97.5	99.4	101.7	105.6	108.3	107.5	105.9	105.7				143.6
TWET 53. DEG F	1600	94.3	93.0	94.7	95.1	95.8	96.5	98.0	99.8	102.0	106.2	109.2	108.6	106.0	105.3				144.2
(285, DEG K)	2000	93.7	95.1	94.8	95.4	96.4	97.9	97.9	101.4	102.7	106.4	108.5	108.1	106.5	105.3				144.3
HACT 8.91 GM/M3	2500	96.3	95.5	94.5	96.8	97.9	98.5	99.0	100.8	103.7	107.3	108.8	108.9	107.8	107.7				145.1
(.00891 KG/M3)	3150	96.5	96.5	96.5	95.7	96.8	97.9	99.7	101.7	104.8	107.8	108.7	109.2	109.4	108.7				145.7
FREQ. SHIFT	4000	97.1	97.7	96.9	96.8	97.7	98.7	99.1	102.0	104.4	107.7	109.0	109.9	111.4	110.2				146.4
JET 0	5000	99.9	102.9	99.4	98.8	98.3	99.8	100.3	102.4	105.2	107.8	109.5	112.2	114.2	111.5				148.1
DIAMETER RATIO	6300	99.8	102.0	99.4	98.4	98.1	98.6	100.6	103.0	106.1	108.3	109.5	111.6	111.3	108.1				147.3
DF/DK 1.00	8000	99.9	103.5	103.4	102.8	101.1	100.4	100.3	103.3	105.9	107.8	109.8	111.6	110.3	106.5				147.5
	10000	98.2	101.0	101.5	104.0	104.8	102.6	101.0	103.4	105.5	107.2	109.2	110.2	109.9	107.1				147.5
	12500	97.5	99.5	99.8	101.6	103.5	104.2	102.5	103.3	105.4	106.7	108.9	109.0	109.2	105.6				147.2
	16000	96.4	99.5	99.3	99.8	101.0	101.9	103.2	103.3	104.3	105.9	108.3	107.7	107.2	104.1				146.5
	20000	94.2	97.5	97.5	99.1	101.0	100.5	101.6	102.9	103.6	104.8	106.9	106.5	105.7	102.1				145.8
	25000	92.3	95.3	96.0	97.3	99.1	99.1	99.7	101.2	102.3	102.8	105.0	104.2	103.8	99.8				144.3
358	31500	89.6	93.5	94.5	95.6	96.5	97.4	97.8	99.5	101.5	101.3	103.0	102.4	102.3	97.2				143.2
	40000	87.3	90.3	91.4	93.3	93.9	95.4	96.2	97.9	98.1	99.3	101.7	100.3	99.9	95.5				141.6
	50000	84.5	88.7	89.4	91.2	91.6	91.9	92.6	95.2	96.1	96.4	99.1	97.0	97.2	93.7				139.7
	63000	82.3	85.2	87.2	88.5	88.2	89.8	90.3	92.2	94.0	94.4	97.6	95.8	96.4	91.5				138.8
	80000	79.2	82.4	84.3	85.2	85.0	86.3	86.5	89.3	91.8	92.9	96.0	93.4	95.7	90.5				138.7
OVERALL MEASURED		75.8	78.7	80.0	81.7	81.5	83.3	83.6	87.1	89.2	93.0	94.1	92.3	94.1	90.3				140.1
OVERALL CALCULATED		109.2	111.2	110.7	111.3	112.0	112.2	112.6	114.5	116.5	118.9	121.0	122.2	122.6	121.5				138.9
PNDP		122.2	124.1	123.1	123.0	122.9	123.2	123.9	126.0	128.6	131.2	133.2	135.2	136.1	134.6				

Model 8

REV. ALPHA 12/73 - FREQ.	30.	40.	50.	60.	70.	80.	90.	100.	110.	120.	130.	140.	150.	160.	0.	0.	0.	PWL
NO EQA.	59	69.1	68.6	69.6	72.4	72.7	70.6	68.9	59.5	70.1	71.1	73.8	75.0	69.6	80.5			113.0
RDS. NO. 0.	63	69.3	67.8	73.9	72.7	73.3	71.9	70.5	61.2	72.6	74.1	77.1	78.6	75.0	84.1			115.6
RACIAL 40, FT.	80	71.4	71.1	72.8	73.9	74.3	73.4	73.1	63.6	74.8	76.6	80.5	82.9	79.0	88.1			118.9
(12. M)	100	73.2	72.7	74.9	75.4	74.9	75.7	76.7	68.3	79.2	80.9	84.2	87.8	86.5	92.4			123.2
VEHICLE JEYOTS	125	75.5	74.7	75.2	76.5	76.0	78.2	80.2	70.5	82.0	84.5	86.7	90.4	89.5	94.8			125.8
CONFIG JE-053	160	83.4	77.9	78.7	78.4	79.2	81.2	82.9	72.7	85.4	86.9	88.9	91.4	90.9	95.4			127.4
LOC EVENDALE	200	83.5	80.8	78.5	79.3	80.0	81.5	81.8	73.0	85.5	88.3	91.3	94.1	94.7	97.5			129.5
DATE 04-04-75	250	92.6	82.8	84.0	83.5	81.8	83.3	83.3	75.3	90.8	92.0	95.5	97.0	100.4	100.9			133.5
SUN DBTF R=436	315	85.3	82.8	84.4	84.0	85.3	86.0	85.9	79.4	90.3	94.9	98.3	99.6	103.8	106.8			137.2
TAPE X80110	400	83.4	81.0	82.6	83.4	85.2	85.2	87.6	79.3	92.1	96.3	97.5	103.8	106.2	105.9			138.5
BAR 29.9 HG	500	86.3	85.3	85.8	84.8	85.2	86.9	87.7	79.7	91.7	93.7	96.7	103.9	105.1	104.1			137.7
(01039, 1/M2)	600	86.3	85.5	86.7	85.5	86.5	86.5	89.4	80.6	93.7	95.0	99.7	104.8	106.7	105.6			139.2
TAMB 59, DEG F	800	87.1	85.9	87.8	86.9	87.5	88.9	89.2	81.9	93.3	97.0	100.0	102.5	102.2	107.2			138.1
(288, DEG K)	1000	87.1	85.9	87.8	86.9	87.5	88.9	90.7	82.1	94.7	97.6	100.2	102.4	101.4	100.9			137.0
THET 53, DEG F	1250	84.6	86.3	86.2	86.5	87.6	89.5	90.8	82.3	93.9	96.3	99.4	99.5	96.9	94.5			136.1
(285, DEG K)	1600	84.6	86.3	86.2	86.5	87.6	89.5	90.8	82.3	93.9	96.3	99.4	99.5	96.9	94.5			134.9
HACT 5.91 GM/M3	2000	84.4	85.7	86.1	85.3	87.2	87.8	89.6	81.5	93.7	95.5	96.4	96.8	93.0	90.1			134.1
(.00891 KG/M3)	2500	83.2	85.6	85.2	85.7	86.8	88.0	89.0	80.3	92.2	94.8	95.6	94.8	91.5	88.6			132.9
FREQ. SHIFT	3150	82.4	84.4	84.5	85.1	86.2	87.6	88.6	80.2	92.1	93.4	94.3	92.8	89.6	87.0			132.0
JET 0	4000	81.8	83.9	83.4	84.4	85.4	86.9	88.1	80.1	91.7	93.1	93.6	92.2	88.6	85.7			130.9
DIAMETER RATIO	5000	81.8	83.9	83.4	84.4	85.4	86.9	88.1	80.1	91.7	93.1	93.6	92.2	88.6	85.7			130.4
DF/DM 1.00	6300	79.6	82.6	83.4	84.1	85.4	85.7	86.4	78.3	89.9	92.0	92.0	89.1	87.0	84.0			129.7
	8000	79.3	81.7	82.5	83.6	84.8	84.9	85.3	77.3	88.9	90.0	89.9	88.0	86.2	82.8			129.3
	10000	77.7	80.7	81.1	81.8	83.7	84.2	85.2	77.1	87.8	89.1	88.8	86.7	84.9	80.8			129.3
	12500	75.4	78.7	79.7	80.3	82.2	82.5	83.3	75.3	86.3	87.7	86.9	84.7	82.2	79.0			127.6
350	16000	73.7	77.8	78.5	78.8	80.0	80.5	81.3	73.1	85.0	85.0	85.2	82.4	80.7	77.3			126.3
	20000	74.1	81.1	80.6	80.7	81.2	81.7	82.6	74.6	84.1	83.9	83.1	80.5	79.4	76.1			124.8
	25000	76.8	86.6	86.2	86.4	86.4	87.7	88.6	80.0	87.9	83.6	82.3	79.1	78.4	75.1			125.2
	31500	69.7	79.6	77.4	78.4	78.7	78.0	78.5	71.6	81.7	79.5	78.7	75.4	74.1	73.1			129.9
	40000	64.5	69.7	70.2	72.0	71.4	72.0	72.0	66.0	75.7	77.4	76.4	74.3	72.9	73.8			123.2
	50000	64.0	70.7	71.1	71.1	70.1	70.6	71.8	67.4	75.6	77.8	76.1	75.5	74.0	75.8			119.4
	63000	63.5	66.3	65.9	66.9	67.9	68.0	68.1	68.0	75.4	80.9	77.0	77.5	76.0	77.4			121.5
80000																		125.3
OVERALL MEASURED																		
OVERALL CALCULATED		97.1	97.9	98.4	98.5	99.5	100.4	101.6	93.4	105.2	107.7	110.0	112.5	113.3	114.0			148.1
PND8		108.7	109.9	110.1	110.4	111.5	112.5	113.6	105.2	117.3	119.5	121.1	122.0	121.3	121.3			

Model 8

ORIGINAL PAGE IS OF POOR QUALITY

REV.	ALPHA 12/73	FREQ.	30.	40.	50.	60.	70.	80.	90.	100.	110.	120.	130.	140.	150.	160.	0.	0.	0.	PWL
			(0.52)	(0.70)	(0.97)	(1.05)	(1.22)	(1.40)	(1.57)	(1.75)	(1.92)	(2.09)	(2.27)	(2.44)	(2.62)	(2.79)	(0.0)	(0.0)	(0.0)	
	NO EGA	50	58.1	68.1	69.6	68.9	69.5	69.3	69.9	61.5	72.6	73.8	76.8	79.3	74.3	89.7				117.8
	RDG. NO. 0.	63	73.3	70.9	72.2	71.7	72.5	72.7	73.0	66.2	75.1	77.6	80.8	82.9	79.5	91.6				120.4
	RADIAL 40. FT.	90	72.9	73.6	74.8	74.4	74.8	74.9	76.1	67.8	78.1	80.4	83.7	87.1	83.5	94.4				123.5
	(12. M)	100	76.2	75.4	77.7	77.2	77.2	78.4	80.2	72.6	83.5	84.7	87.4	91.3	89.8	98.4				127.7
	VEHICLE JENOTS: 153	125	79.5	79.0	79.2	79.5	79.0	81.7	83.9	74.7	86.5	88.0	91.0	94.1	93.3	100.5				130.3
	COVFIG JE-353	200	85.2	81.7	82.7	82.7	82.7	84.7	86.9	76.9	89.9	91.2	93.2	95.9	95.9	101.1				132.2
	LOC EVENDALE	250	85.0	84.3	82.8	83.5	83.8	85.5	86.5	78.3	89.5	92.5	96.1	99.6	99.7	103.8				134.8
	DATE 04-04-75	315	87.3	86.8	86.5	86.3	86.8	87.3	88.5	79.8	94.8	95.3	99.5	102.0	103.9	106.6				138.0
	RUN DRTF-R=436	400	90.4	86.8	87.0	88.0	89.0	89.7	86.5	83.0	93.3	97.3	102.3	105.0	107.4	110.5				141.1
	TAPE XB-130	500	85.9	85.2	86.1	87.2	88.7	86.7	90.8	83.1	95.3	98.6	100.0	107.0	109.2	108.6				141.5
	BAR 29.9 HG	630	93.3	89.5	90.1	89.0	89.7	90.9	92.5	85.0	96.4	98.4	102.0	108.4	110.3	106.8				142.3
	(01039, N/M2)	800	91.6	91.0	91.2	89.5	90.7	91.0	93.6	85.4	97.4	99.5	104.5	108.8	110.7	108.6				143.1
	TAMB 59, DEG F	1000	89.7	91.2	90.9	91.5	92.0	92.0	93.7	87.1	98.3	101.8	105.2	106.5	106.7	110.2				142.3
	(286, DEG K)	1250	91.3	90.6	91.8	91.7	92.3	93.7	95.4	86.9	99.2	102.6	105.0	106.2	104.6	105.2				141.2
	TWET 53, DEG F	1600	91.0	91.0	91.4	92.1	93.0	93.7	96.2	87.2	99.2	102.4	106.1	105.5	103.5	102.2				141.0
	(255, DEG K)	2000	93.4	92.0	91.7	92.5	93.4	94.8	96.3	88.3	99.4	102.6	105.1	104.5	102.7	101.0				140.5
	HACT 5.91 GM/M3	2500	91.9	91.7	90.4	93.2	94.6	95.2	95.6	87.9	99.8	103.0	104.5	104.6	102.7	101.9				140.6
	(.00391 KG/M3)	3150	91.7	92.4	92.6	92.1	93.7	94.5	95.3	88.3	100.4	103.0	103.9	104.1	103.0	102.6				140.6
	FREQ. SHIFT	4000	91.5	93.1	92.2	92.4	94.3	94.8	95.2	87.8	100.0	102.8	103.9	103.8	104.3	104.6				140.8
	JET C	5000	90.4	92.0	91.8	92.5	93.7	94.6	95.9	88.0	100.3	102.9	103.8	103.1	104.6	104.5				140.8
	DIAMETER-RATIO	6300	90.6	92.1	91.4	91.7	93.9	95.2	96.1	86.6	100.9	103.3	103.8	104.7	106.1	105.2				141.6
	DF/DM 1.00	8000	92.7	95.3	93.0	93.6	94.3	95.4	96.1	88.6	100.7	102.6	103.8	105.4	107.8	106.3				142.3
		10000	95.1	97.1	94.9	93.9	94.6	95.5	95.9	88.3	100.1	103.0	102.8	104.8	106.5	105.0				142.0
		12500	95.5	95.2	97.8	97.1	96.3	94.7	94.8	87.3	100.2	101.2	101.9	104.0	105.0	103.1				141.7
		16000	92.4	95.7	95.1	98.1	98.5	95.9	95.0	87.1	98.8	100.4	101.5	102.7	103.4	101.6				141.2
		20000	89.2	91.7	92.2	94.3	97.2	96.5	95.3	86.3	97.6	99.0	99.6	100.7	101.2	99.3				139.9
		25000	87.2	89.8	90.2	91.3	92.8	94.0	94.6	84.9	96.5	97.2	97.7	98.4	99.5	97.8				138.3
		31500	84.9	87.8	88.1	89.7	90.4	90.9	91.8	83.8	94.6	95.4	95.6	96.5	97.6	95.1				135.7
		40000	81.1	84.6	84.9	86.9	87.7	89.0	89.3	82.0	92.4	93.4	94.0	93.9	95.7	92.6				135.1
		50000	78.9	82.1	82.6	84.4	84.5	85.3	86.5	78.9	90.0	90.0	91.0	90.4	92.9	90.6				132.9
		63000	76.3	79.7	80.5	82.3	81.7	83.0	83.3	77.5	87.2	88.9	89.1	88.8	90.7	89.0				131.9
		80000	74.5	77.0	77.1	79.1	78.9	79.6	79.8	76.9	86.1	88.5	87.8	87.8	89.0	88.6				132.5
			74.0	75.8	74.9	76.9	76.9	78.0	77.6	77.5	85.7	89.7	87.7	88.0	88.2	88.7				135.4
	OVERALL MEASURED																			
	OVERALL CALCULATED		104.6	106.1	105.6	106.1	107.1	107.3	108.1	100.3	112.1	114.6	116.5	118.3	119.3	119.2				134.6
	PND8		116.3	117.4	116.7	117.0	118.3	118.9	120.1	112.2	124.4	126.9	128.5	129.5	130.5	130.3				

Model 8

REV, ALPHA 12/73 - FREQ.	ANGLES FROM INLET IN DEGREES (AND RADIANS)																PWL	
	30.	40.	50.	60.	70.	80.	90.	100.	110.	120.	130.	140.	150.	160.	0.	0.		0.
NO. EGA	50	72.8	72.3	73.1	73.2	73.5	73.6	73.6	74.5	75.4	76.8	81.5	84.5	82.1	99.5			126.3
RDG. NO. 0.	60	76.9	75.6	76.7	77.0	77.5	77.7	78.0	78.7	78.9	81.1	86.1	88.4	85.0	100.1			127.6
RADIAL 40 FT.	80	77.9	78.6	78.8	78.9	79.3	78.9	80.6	80.8	82.1	84.6	89.0	92.1	88.3	101.4			129.5
(12. M)	100	81.4	81.2	82.4	81.4	81.4	82.7	84.7	86.1	87.0	88.9	92.2	96.3	95.3	104.2			133.0
VEHICLE JENOTS	125	84.5	84.0	84.2	83.7	83.0	86.0	88.2	88.7	89.7	92.5	95.5	98.4	97.8	106.3			135.4
CONFIG JE-553	160	89.9	86.4	86.2	87.2	87.2	88.7	90.9	90.7	93.4	95.2	97.7	100.2	100.4	106.6			136.9
LOC EVENDALE	200	89.8	88.3	86.0	87.3	87.5	89.3	90.5	91.8	93.3	96.3	101.1	104.9	105.0	110.5			140.5
DATE 04-04-75	250	90.8	90.5	89.8	90.3	90.3	91.5	91.0	93.3	98.5	99.0	104.5	107.0	108.9	108.6			142.2
RUN DBTF R-436	315	94.5	91.5	91.0	93.5	93.8	94.0	92.5	97.5	96.5	101.3	106.5	109.1	112.2	113.8			145.2
TAPE X80150	400	91.2	89.2	89.8	91.7	93.2	93.5	94.6	96.8	99.3	102.6	105.3	111.0	113.2	111.6			145.5
BAR 29.9 HG	500	95.8	94.3	94.6	93.5	93.7	95.6	96.7	99.0	99.9	103.2	107.0	113.4	115.1	111.6			147.1
(01039, V/M2)	630	96.3	95.7	95.7	94.2	95.7	95.5	97.1	99.4	101.4	105.0	109.5	113.6	115.7	113.8			148.1
TAMB 59 DEG F	800	96.5	96.4	96.1	96.5	97.0	97.3	98.4	101.6	103.3	106.8	110.2	111.8	112.7	115.0			147.6
(286, DEG K)	1000	98.1	95.9	97.3	96.7	97.3	98.2	100.2	101.4	104.4	108.6	110.7	110.7	111.9	111.9			147.1
TWET 53 DEG F	1250	97.5	97.2	97.6	97.1	98.2	99.2	100.7	102.2	104.7	109.2	111.6	111.3	110.9	110.5			147.3
(265, DEG K)	1600	97.6	98.3	97.7	98.0	99.1	100.3	101.8	103.3	105.6	109.3	110.9	110.5	110.7	110.3			147.2
HACT 8.91 GN/M3	2000	98.4	98.7	97.6	100.0	100.5	100.9	101.6	103.7	106.1	110.0	110.7	111.6	112.2	111.1			147.9
(.00891 KG/M3)	2500	98.9	99.7	99.6	98.1	99.7	100.5	102.1	104.8	107.4	110.2	111.1	112.6	112.9	111.1			148.5
FREQ. SHIFT	3150	103.3	103.1	105.4	102.9	102.8	103.5	102.7	105.3	107.5	111.3	112.8	116.3	116.5	115.0			151.4
JET 0	4000	105.9	112.2	109.0	105.5	104.9	106.6	103.9	106.2	108.3	110.9	113.3	118.8	119.0	117.5			153.5
DIAHETER RATIO	5000	100.5	104.6	103.2	102.1	101.3	100.9	102.6	105.1	108.4	110.3	111.3	113.4	112.0	110.1			149.1
DF/DH 1.00	6300	98.6	103.5	103.7	105.3	106.0	104.6	103.0	105.3	107.7	109.8	111.5	113.8	114.0	110.0			149.9
	8000	98.8	102.8	101.1	103.8	105.8	107.4	104.0	105.2	107.1	109.2	111.0	114.5	115.4	110.7			150.5
	10000	96.5	100.9	100.9	101.5	102.9	103.8	104.0	105.3	106.6	108.4	110.4	112.0	112.9	108.5			149.1
	12500	94.9	99.2	99.8	101.2	102.4	101.6	103.4	104.8	105.7	107.6	109.7	111.4	111.9	107.0			148.6
	16000	93.0	95.5	98.0	99.3	101.8	101.3	101.9	103.9	104.7	106.1	107.7	110.0	110.5	105.6			147.6
	20000	91.0	95.8	96.0	97.6	99.3	99.3	99.6	101.2	103.0	104.3	106.7	108.2	108.7	103.0			146.3
	25000	86.7	94.4	94.4	96.3	96.6	97.5	98.4	99.9	101.4	102.5	104.7	106.6	107.2	101.4			143.1
	31500	85.7	91.3	91.6	93.3	94.1	95.1	96.4	98.1	98.3	100.5	103.4	104.2	105.5	99.2			143.6
	40000	84.0	89.2	89.5	91.3	91.9	92.4	92.6	94.8	95.9	97.4	100.4	101.5	102.7	97.7			141.6
	50000	82.9	86.8	87.6	89.4	89.3	89.8	90.9	92.6	93.8	96.0	99.5	99.9	102.0	96.9			141.2
	63000	82.8	85.3	85.9	87.9	86.9	87.9	88.4	90.7	91.7	94.1	98.7	98.9	101.8	97.4			142.2
	80000	83.8	85.4	84.4	86.7	86.4	87.3	87.3	90.0	89.4	93.7	99.0	99.0	100.7	97.7			144.8
OVERALL MEASURED																		
OVERALL CALCULATED		111.9	115.8	114.1	113.6	114.3	114.9	114.6	116.6	118.6	121.4	123.4	126.1	126.8	125.4			162.1
PNDB		126.4	136.6	128.4	126.7	126.8	127.7	126.8	129.0	131.1	134.1	136.2	139.9	140.3	139.2			

Model 8

ORIGINAL PAGE IS OF POOR QUALITY

MODEL SOUND PRESSURE LEVELS (59. DEG. F, 70 PERCENT REL. HUM, DAY -- JENOTS)

REV, ALPHA 12/73	FREQ	ANGLES FROM INLET IN DEGREES (AND RADIANS)																		PWL
		30.	40.	50.	60.	70.	80.	90.	100.	110.	120.	130.	140.	150.	160.	0.	0.	0.		
NO. EGA	50	69,6	69,8	70,4	70,2	70,7	72,1	72,1	73,0	73,9	75,6	78,3	82,3	82,1	82,3	82,1	85,6	83,5	98,8	125,8
RDG. NO.	80	72,1	72,3	73,4	73,5	74,3	74,7	74,5	76,2	76,6	79,3	82,1	85,6	83,5	85,6	89,4	86,8	99,9	127,6	126,0
RADIAL 40, FT.	100	77,9	77,9	79,2	79,2	78,4	79,4	81,7	83,3	84,2	85,9	89,4	93,8	93,5	102,2					130,8
(12, M)	125	81,5	81,2	81,2	81,2	80,0	83,7	85,4	85,7	86,7	89,7	92,5	96,1	95,5	104,5					133,3
VEHICLE JENOTS	160	86,9	83,9	83,7	84,2	84,2	86,7	88,6	88,7	90,9	93,2	94,4	97,9	97,9	104,9					135,8
CONFIG JE-053	200	86,3	85,8	84,0	85,0	85,0	87,8	87,8	89,8	91,3	95,3	98,3	102,4	102,7	107,5					137,9
LOC EVENDALE	250	88,3	88,3	87,8	88,0	87,8	89,3	89,0	91,3	97,4	97,5	101,8	104,3	106,2	108,6					140,2
DATE 04-04-75	315	91,4	89,9	89,4	90,3	91,0	91,7	90,3	93,4	94,8	99,9	104,3	107,0	109,8	112,5					143,3
RUN DBTF R=436	400	88,9	86,7	87,6	88,9	89,9	91,0	92,6	94,6	96,6	101,1	103,0	108,8	111,2	110,1					145,3
TAPE X80180	500	92,6	91,8	91,6	90,5	91,5	92,6	94,2	97,0	97,9	101,4	105,0	111,9	113,1	110,1					146,3
BAR 29,9 HG	630	94,3	93,2	93,0	92,0	92,5	93,5	95,1	97,4	99,4	101,4	105,8	111,6	113,4	112,1					146,0
(01039, N/M2)	800	93,5	92,9	93,6	93,8	94,5	94,8	95,7	99,4	100,3	104,5	107,2	109,5	111,0	114,0					145,5
TAMB 59, DEG F	1000	95,3	92,9	94,0	93,7	94,5	95,7	97,2	99,1	101,1	105,8	107,2	107,7	109,4	110,4					144,4
(288, DEG K)	1250	93,3	93,5	94,1	94,3	94,5	96,2	98,2	99,7	100,9	105,7	107,9	108,3	107,7	107,5					144,0
THEY 53, DEG F	1600	92,3	93,8	93,7	94,5	95,4	97,0	98,6	100,5	101,6	105,5	107,1	106,7	106,4	106,3					143,4
(285, DEG K)	2000	94,4	93,9	93,6	95,5	96,3	97,4	98,1	100,4	102,0	105,7	106,7	107,1	107,2	107,1					143,7
HACT 8,91 GM/M3	2500	94,2	95,2	94,6	94,6	95,5	97,0	98,3	100,8	102,6	105,9	106,4	106,5	107,3	107,6					143,7
(100891 KG/M3)	3150	94,7	95,3	94,9	95,6	96,0	97,0	98,4	100,8	102,5	106,0	106,3	107,3	108,7	108,0					144,2
FREQ. SHIFT	4000	93,4	94,7	94,2	95,3	95,9	97,3	98,1	100,9	103,3	105,9	106,0	107,3	108,3	108,0					144,2
JET 0	5000	101,3	106,0	99,1	98,4	98,6	99,4	99,1	102,0	103,8	106,8	108,0	112,4	113,8	111,9					147,8
DIAMETER RATIO	6300	95,4	102,2	98,9	97,5	97,5	98,6	98,5	101,0	103,2	106,0	107,0	109,3	111,0	109,2					145,9
DF/DM 1.00	8000	97,7	101,8	100,8	100,5	99,0	97,6	98,5	100,7	102,3	105,2	105,9	107,2	108,1	107,6					144,9
10000	95,9	99,4	100,1	101,9	101,9	100,3	98,6	100,7	102,5	104,1	105,0	106,6	108,3	107,4						145,2
12500	94,0	96,8	96,9	99,4	100,8	100,5	99,6	100,2	100,9	103,2	104,4	105,8	107,3	105,4						144,4
16000	91,7	95,5	95,5	96,3	98,2	98,7	99,1	99,8	99,9	101,8	102,9	104,5	105,7	103,6						143,4
20000	89,2	92,5	92,9	94,5	95,5	95,2	96,8	97,9	99,2	100,0	101,1	102,4	103,4	101,5						141,8
25000	86,9	90,6	91,1	92,2	93,2	94,2	94,6	96,4	97,4	98,4	98,6	100,3	101,9	99,6						140,4
31500	83,4	87,2	88,0	89,2	89,8	91,6	92,1	94,1	94,1	96,4	97,3	98,2	100,2	97,1						138,8
40000	81,0	85,0	86,0	87,0	87,6	87,6	88,6	91,0	91,8	93,1	94,6	95,5	97,9	95,9						138,9
50000	77,9	82,1	83,1	84,6	84,3	85,3	86,3	89,3	89,0	91,2	92,7	94,6	97,0	95,3						136,4
63000	76,0	79,5	79,9	81,6	81,2	82,4	82,6	88,7	87,7	90,1	91,4	94,6	96,5	96,3						137,5
80000	74,0	76,3	76,6	79,1	78,4	79,7	79,8	89,2	86,7	91,4	90,2	96,0	96,5	97,4						140,9
OVERALL MEASURED																				
OVERALL CALCULATED		108,1	110,8	108,9	109,5	109,9	110,2	110,7	112,9	114,4	117,5	119,1	121,5	122,9	122,8					158,0
PND8		121,7	124,5	121,0	120,8	121,1	121,9	122,4	124,9	126,8	129,9	131,2	134,2	135,4	135,0					

Model 8

REV: ALPHA 12/73	FREQ.	ANGLES FROM INLET IN DEGREES (AND RADIAN\$)																PHL	
		30	40	50	60	70	80	90	100	110	120	130	140	150	160	(0,0)	(0,0)		(0,0)
NO EGA	50	79,8	79,8	81,1	80,9	79,2	81,3	81,9	82,3	81,4	90,1	85,8	87,3	82,3	100,7				128,9
RDG. NO.	63	81,6	81,8	82,2	82,5	80,8	81,9	83,3	82,9	82,6	92,6	88,3	89,9	86,0	101,6				130,3
RADIAL 40, FT.	80	82,6	82,4	83,0	83,1	81,8	82,9	85,3	83,3	86,1	93,4	91,7	94,4	90,8	103,4				132,3
(12, M)	100	84,4	84,2	84,7	85,7	82,9	84,9	87,2	87,8	89,5	96,9	94,9	99,0	97,3	107,2				136,2
VEHICLE JENOTS	125	88,0	86,2	86,0	87,0	84,7	87,7	90,9	90,0	91,7	101,0	97,7	101,1	99,5	109,3				138,7
CONFIG JE-093	160	95,9	88,7	87,9	88,9	87,4	90,7	92,9	92,2	95,7	103,2	100,2	103,7	103,6	110,1				140,7
LOC EVENDALE	200	93,3	92,3	89,0	90,3	89,8	91,3	92,5	92,5	96,3	101,8	104,1	107,9	108,2	112,8				143,3
DATE 04-04-75	250	94,3	93,3	92,8	93,3	92,2	93,2	94,2	94,2	100,8	103,5	107,5	111,2	111,9	112,4				145,6
RUN DBTF--R=40	315	96,8	93,5	93,3	95,1	95,1	94,5	94,3	97,0	98,8	104,3	109,6	111,7	114,2	115,6				147,4
TAPE X90200	400	93,7	91,2	92,1	93,2	93,4	94,7	96,8	97,3	100,6	106,6	107,3	113,0	115,7	113,1				147,7
BAR 29,9 HG	500	97,8	97,1	97,3	95,8	95,2	96,6	98,7	100,0	102,9	106,7	110,7	117,4	118,6	116,1				150,9
(01039, N/M2)	630	98,8	98,2	98,0	97,0	96,5	97,0	99,9	100,4	104,4	108,0	112,5	117,3	119,4	116,8				151,5
TAMB 59, DEG F	800	99,2	98,4	99,1	98,5	98,3	98,5	100,2	101,9	105,3	109,5	113,0	116,5	118,0	119,0				151,5
(288, DEG K)	1000	101,6	98,1	99,3	98,9	98,0	99,9	101,7	102,6	106,4	111,4	113,2	114,7	117,1	116,9				150,8
TWET 53, DEG F	1250	101,8	99,2	100,4	100,1	99,0	100,0	102,9	103,5	106,7	111,7	113,9	116,0	116,7	115,2				151,0
(285, DEG K)	1600	100,6	100,5	100,0	100,0	99,9	101,5	103,6	104,3	107,9	111,6	113,1	115,3	116,7	115,0				150,8
HACT 8,91 GM/M3	2000	102,7	100,4	99,6	101,3	100,6	102,0	103,6	104,7	108,1	111,5	113,8	116,4	117,2	114,9				151,3
(00891, KG/M3)	2500	102,4	101,7	101,4	99,8	99,7	101,1	103,1	104,8	109,2	112,2	113,9	117,6	117,3	113,4				151,7
FREQ. SHIFT	3150	105,5	103,1	103,2	101,9	100,8	102,5	104,0	104,8	109,5	112,0	115,6	119,8	118,0	113,6				153,1
JET	4000	104,9	105,7	103,5	101,3	100,9	101,8	103,6	105,2	109,3	111,9	115,3	116,6	114,1	110,5				151,3
DIAMETER RATIO	5000	104,6	106,3	106,7	105,7	102,4	101,9	103,9	105,8	109,6	112,3	115,0	115,9	113,1	109,4				151,3
DF/DM 1,00	6300	101,7	103,2	104,4	107,0	106,3	104,1	104,3	105,3	109,2	111,8	114,3	114,9	112,1	107,8				150,9
	8000	101,0	102,6	102,6	103,8	105,3	107,2	104,8	105,3	108,6	111,0	113,2	114,0	111,2	107,5				150,4
	10000	100,7	102,7	103,4	104,0	103,4	104,8	105,7	105,5	108,4	110,4	112,4	112,5	110,2	106,5				149,9
	12500	99,0	101,6	102,2	103,4	103,3	102,5	105,3	105,2	107,1	109,7	111,1	111,3	109,0	104,6				149,2
CG	16000	97,1	99,7	100,5	101,5	101,9	102,5	103,8	104,1	106,3	108,0	109,9	109,9	107,4	103,0				148,3
	20000	95,2	97,7	98,7	100,0	100,2	100,7	102,3	102,3	105,2	106,7	108,6	108,1	105,4	101,2				147,2
	25000	93,5	96,5	97,5	98,8	98,3	99,1	100,2	100,7	103,2	104,8	107,0	105,9	103,6	99,7				145,9
	31500	90,7	94,0	95,1	96,3	95,1	97,1	98,5	99,1	100,5	103,3	105,9	104,3	102,3	97,0				144,7
	40000	88,9	91,8	92,8	94,4	92,9	93,7	94,9	95,6	97,7	100,2	103,2	101,1	99,3	95,3				142,6
	50000	87,0	89,7	90,7	91,5	91,0	91,5	93,0	93,7	95,2	98,9	101,4	99,6	98,7	94,3				141,9
	63000	85,1	87,3	88,4	89,4	88,4	89,2	90,4	91,7	93,7	98,1	100,4	98,8	98,0	95,1				142,7
	80000	85,3	85,4	85,7	87,2	87,0	88,1	88,2	90,6	90,8	96,8	100,1	98,8	98,6	96,3				143,4
OVERALL MEASURED																			
OVERALL CALCULATED		114,3	114,6	114,6	114,9	114,3	115,0	116,1	116,9	120,4	123,9	126,0	128,5	128,7	127,2				163,8
PNDB		127,8	127,7	127,5	127,3	126,5	126,4	127,8	128,9	132,8	135,9	138,8	141,9	141,0	138,5				

Model 8

ORIGINAL PAGE IS
OF POOR QUALITY

	30.	40.	50.	60.	70.	80.	90.	100.	110.	120.	130.	140.	150.	160.	0.	0.	0.	PWL
REV. ALPHA 12/73 - FREQ.	(0.52)	(0.70)	(0.87)	(1.05)	(1.22)	(1.40)	(1.57)	(1.75)	(1.92)	(2.09)	(2.27)	(2.44)	(2.62)	(2.79)	(0.0)	(0.0)	(0.0)	
	ANGLES FROM INLET IN DEGREES (AND RADIANS)																	
NO EGA	50	67.6	69.1	68.1	67.9	69.0	70.3	70.1	71.0	71.9	72.8	75.8	77.8	73.1	88.2			116.6
RDG. NO. 0	63	69.6	70.0	70.2	70.7	71.8	72.4	72.0	74.7	74.4	76.3	79.6	81.9	78.0	89.8			119.1
RADIAL 40 FT	80	71.4	72.4	72.8	73.1	73.3	74.2	74.8	76.3	76.8	79.4	82.5	85.4	81.5	92.1			121.7
(12. M)	100	74.4	74.9	76.2	75.4	75.4	76.9	79.0	80.3	81.2	83.2	85.9	89.8	88.0	96.2			125.9
VEHICLE JE VOTS	125	76.0	77.7	77.5	78.0	77.2	80.2	82.4	83.5	84.0	87.0	89.0	92.1	91.0	98.0			128.3
CO FIG JE 053	160	83.2	80.7	80.4	80.9	81.2	83.7	85.6	85.4	88.2	89.7	91.7	94.7	93.6	99.6			130.7
LOC EVENDALE	200	83.3	83.3	80.8	81.8	82.3	84.3	85.0	86.5	88.3	92.0	95.3	99.4	99.2	101.8			133.9
DATE 64-04-75	250	85.5	84.0	84.3	85.0	85.0	87.0	87.4	88.3	94.0	95.3	99.8	102.5	103.2	104.1			137.3
RUN DIST R=436	315	88.3	86.5	86.0	87.8	89.4	90.1	88.9	92.0	93.9	97.8	102.5	104.0	106.4	108.5			140.3
TAPE X80210	400	86.4	84.7	85.3	86.7	87.7	88.5	90.8	92.6	94.6	99.1	100.8	105.8	108.2	106.6			140.6
BAR 29.9 KG	500	91.1	89.8	89.8	89.0	89.2	90.6	91.5	94.2	95.4	99.2	103.2	110.4	111.6	107.3			143.6
(01039, N/M2)	630	91.8	91.2	90.7	90.0	90.5	91.3	93.1	95.4	97.7	100.5	106.7	111.3	112.4	109.3			145.0
TA 59 DEG F	800	92.5	91.4	91.4	90.8	92.0	92.3	93.4	96.9	98.0	102.3	105.5	109.3	110.5	112.7			144.4
(288, DEG K)	1000	93.1	90.9	91.3	91.2	91.3	92.9	94.9	96.8	98.4	102.8	105.7	106.7	107.6	107.4			142.3
THET 53, DEG F	1250	90.8	90.2	90.9	90.6	91.5	93.5	94.9	96.5	98.2	102.7	106.4	106.8	105.2	104.7			141.8
(265, DEG K)	1600	89.1	90.5	90.2	90.8	91.6	94.0	95.3	96.8	98.1	101.0	104.9	104.2	102.7	101.3			140.1
HACT 8.91 GM/M3	2000	89.7	89.4	89.1	91.0	92.0	93.2	94.1	95.4	98.0	101.4	103.2	103.3	101.2	99.3			139.3
(.00891 KG/M3)	2500	85.2	89.2	89.1	88.8	90.2	92.0	93.3	95.8	97.9	100.4	101.4	101.5	98.8	96.8			137.9
FREQ. SHIFT	3150	86.9	88.8	88.9	89.6	90.2	91.5	92.4	95.3	96.7	100.0	100.3	100.0	97.2	95.3			137.0
JET 0	4000	85.1	87.2	87.7	88.5	89.9	91.0	92.3	94.7	96.3	99.1	98.8	97.8	95.5	93.2			135.0
DIAMETER RATIO	5000	84.8	86.6	87.1	87.9	89.1	90.6	91.8	94.3	96.3	98.8	98.5	97.4	94.8	92.6			135.7
DF/DX 1.00	6300	83.9	86.7	86.9	88.0	89.0	90.8	91.3	93.5	95.4	97.5	97.2	96.3	94.2	91.4			134.9
10000	8000	82.7	85.8	86.3	87.3	88.8	89.8	90.2	92.7	94.3	96.2	96.2	94.2	93.4	90.9			134.0
12500	10000	81.9	85.1	85.6	86.9	87.9	89.0	89.1	91.9	93.3	95.1	95.3	92.6	91.6	89.9			133.3
16000	12500	79.8	83.6	83.9	85.6	87.0	87.5	89.1	91.2	92.1	93.7	93.9	91.3	90.5	88.7			132.5
20000	16000	77.7	81.7	82.5	83.5	85.7	86.5	87.6	89.6	90.4	91.8	92.2	89.5	88.5	86.3			131.2
25000	20000	75.7	79.7	80.2	81.5	83.5	84.0	85.3	87.6	89.0	89.7	90.1	87.4	86.2	84.0			129.6
31500	25000	74.9	79.1	79.3	80.7	81.4	82.7	83.3	86.6	87.1	88.4	87.9	85.8	85.1	83.3			128.6
40000	31500	71.9	76.2	78.8	79.4	80.0	82.1	81.4	84.8	84.2	85.9	86.3	83.2	82.5	81.1			127.2
50000	40000	73.8	82.2	83.0	83.8	84.8	85.6	85.3	87.5	86.8	84.1	84.1	81.0	81.2	81.9			129.7
63000	50000	76.9	87.3	87.3	87.4	87.5	88.3	87.8	90.3	90.0	85.9	85.2	83.1	83.0	83.6			133.6
80000	63000	73.3	75.2	73.9	75.6	74.9	76.2	76.1	85.7	83.9	85.1	85.9	84.3	83.5	85.6			130.2
OVERALL MEASURED	80000	73.7	75.1	73.9	76.4	75.4	76.7	76.1	87.7	84.7	87.4	86.7	87.0	85.7	87.4			134.9
OVERALL CALCULATED		101.5	101.6	101.7	102.1	103.0	104.3	105.4	107.7	109.3	112.5	115.3	117.9	118.6	118.0			153.1
PND8		112.5	113.4	113.5	114.0	114.9	116.2	117.3	119.7	121.4	124.5	125.9	126.9	126.8	126.5			

Model 8

REV, ALPHA 12/73	FREQ.	ANGLES FROM INLET IN DEGREES (AND RADIANS)																PWL	
		30, (0,52)	40, (0,70)	50, (0,87)	60, (1,05)	70, (1,22)	80, (1,40)	90, (1,57)	100, (1,75)	110, (1,92)	120, (2,09)	130, (2,27)	140, (2,44)	150, (2,62)	160, (2,79)	0, (0,0)	0, (0,0)		0, (0,0)
NO EGA	50	82,8	84,0	85,1	85,4	82,5	85,1	84,1	81,0	81,9	83,1	85,0	87,2	84,3	101,9				129,7
RDG, NO. 01	63	83,8	86,3	85,7	85,5	83,8	85,7	85,0	82,2	83,6	89,6	89,1	90,6	89,2	103,3				131,3
RADIAL 40, FT.	80	83,9	85,4	85,5	85,4	83,5	85,9	85,6	83,3	84,6	86,9	89,2	92,6	90,0	105,1				132,8
(12, M)	100	84,9	85,4	87,2	86,4	84,2	86,4	88,2	86,1	87,7	90,2	91,7	96,0	95,0	108,7				136,1
VEHICLE JENOTS	125	89,0	86,2	87,7	87,2	84,5	88,5	89,7	89,0	90,5	93,0	94,0	99,1	97,8	112,0				139,2
CONFIG JE-053	160	96,7	88,4	92,9	88,9	86,2	90,2	91,4	90,2	93,4	95,7	96,9	100,4	100,1	115,6				142,6
LOC EVENDALE	200	92,5	90,3	91,3	88,5	87,8	90,3	91,8	90,5	94,3	97,8	101,6	106,2	104,2	111,5				141,3
DATE 04-04-75	250	93,6	91,5	91,6	91,0	90,1	91,1	92,1	92,0	98,7	100,2	104,2	107,0	108,1	110,1				142,3
RUN DBTF R=40	315	96,3	92,6	91,8	94,1	92,0	93,0	92,5	95,3	96,8	102,3	106,8	109,7	111,5	112,3				144,6
TAPE x8023D	400	91,7	89,5	89,8	91,9	91,4	91,7	95,3	95,3	98,6	103,1	104,5	109,5	113,2	110,1				144,8
BAR 29,9 HG	500	96,3	95,1	95,3	94,5	93,5	94,6	97,2	97,7	100,4	104,4	108,5	114,9	115,6	112,8				148,1
(01039, N/M2)	630	98,8	96,5	96,2	95,0	94,5	94,6	97,9	98,6	101,7	105,3	110,5	114,3	116,7	115,8				149,1
TAMB 59, DEG F	800	98,2	96,4	96,4	96,8	95,8	96,0	98,2	98,2	102,5	107,3	109,7	113,3	115,0	115,5				148,4
(288, DEG K)	1000	98,6	95,9	97,8	96,7	96,3	97,7	99,9	100,9	103,9	107,9	109,7	111,2	113,9	112,7				147,4
TWET 53, DEG F	1250	97,7	96,7	97,1	97,2	96,7	97,9	100,6	100,9	104,2	108,1	110,1	111,4	112,4	110,4				147,0
(285, DEG K)	1600	96,9	97,3	97,2	97,8	97,4	98,8	101,1	102,0	104,9	107,8	108,9	109,5	110,2	109,0				146,0
WACT 8,91 GM/M3	2000	98,4	97,7	96,9	99,3	98,3	100,2	101,4	101,9	105,1	108,5	108,8	109,4	110,7	109,4				146,3
(00891 KG/M3)	2500	97,9	98,4	98,6	98,1	97,5	99,3	101,3	102,8	105,9	108,2	108,1	109,3	110,0	108,9				146,2
FREQ, SHIFT	3150	98,5	99,6	98,5	98,9	98,0	99,5	101,7	102,8	106,2	108,5	109,1	110,1	112,0	110,3				147,1
JET 0	4000	105,2	105,7	101,0	101,3	101,7	101,8	103,4	104,7	107,6	110,2	113,8	118,1	117,8	115,3				152,1
DIAMETER RATIO	5000	107,6	107,3	102,2	102,4	102,6	102,7	103,9	104,6	107,9	109,3	114,3	120,4	120,3	117,2				153,9
DF/DH 1,00	6300	100,1	103,7	102,9	101,7	99,5	99,9	101,0	103,5	106,1	107,8	108,0	110,5	111,9	110,2				147,5
	8000	100,0	102,1	103,4	104,3	102,8	103,4	101,8	103,0	105,6	106,7	108,7	113,0	114,2	111,5				149,0
	10000	100,2	100,2	100,9	102,5	103,9	105,3	103,0	103,3	105,4	106,4	108,9	114,5	114,7	111,8				149,8
	12500	98,3	99,8	100,4	100,6	100,5	101,8	102,6	102,4	104,4	105,4	107,6	111,8	112,8	110,1				148,3
	16000	95,9	97,2	98,0	99,3	99,4	99,5	101,3	101,8	103,6	104,7	106,1	110,4	111,4	108,5				147,4
	20000	94,2	95,5	96,2	97,7	97,2	98,2	99,0	100,1	101,7	102,7	104,9	108,6	110,2	106,7				146,2
	25000	92,3	93,7	94,5	96,3	95,1	96,6	97,5	98,5	100,0	101,3	103,3	106,9	108,8	105,0				145,1
	31500	89,5	91,0	91,6	93,5	92,3	93,9	95,4	96,6	97,5	99,5	102,1	104,7	107,0	101,9				143,6
	40000	87,6	89,1	89,6	91,4	90,4	90,7	92,2	93,6	95,4	96,0	98,9	101,9	104,6	100,3				141,7
	50000	85,3	87,5	87,2	89,3	87,5	88,5	90,0	91,0	92,2	95,6	98,1	100,1	102,9	99,3				141,2
	63000	84,3	85,3	84,7	87,1	85,4	86,2	88,2	88,7	90,7	95,3	97,1	98,8	102,5	98,4				142,0
	80000	83,8	84,4	83,5	85,5	85,2	85,6	86,7	88,6	88,5	96,5	97,1	98,8	101,3	99,0				140,8
OVERALL MEASURED																			
OVERALL CALCULATED		113,2	113,4	112,2	112,7	112,2	113,1	114,0	114,9	117,7	120,1	122,6	126,5	127,4	126,3				161,9
PND8		127,2	127,1	124,9	124,7	124,4	125,1	126,9	127,9	130,4	133,1	135,8	140,0	140,5	139,0				

Model 8

ORIGINAL PAGE IS
OF POOR QUALITY

ANGLES FROM INLET IN DEGREES (AND RADIANS)

SPL INPUT AT STD REV. ALPHA 12/73	FREQ.	30. (0.52)	40. (0.70)	50. (0.87)	60. (1.05)	70. (1.22)	80. (1.40)	90. (1.57)	100. (1.75)	110. (1.92)	120. (2.09)	130. (2.27)	140. (2.44)	150. (2.62)	160. (2.79)	0. (0.)	0. (0.)	0. (0.)	PWL
NO EGA	50	82.3	83.1	81.9	81.9	80.7	82.1	83.4	85.3	82.6	89.1	85.5	89.0	84.8	100.4				129.1
RDG. NO. 0.	63	84.1	83.3	82.9	83.5	82.3	83.4	84.8	85.9	83.9	91.6	88.1	91.6	88.7	102.6				131.1
RADIAL 40, FT.	80	85.1	86.1	84.5	83.9	83.3	84.4	86.1	86.6	86.6	93.1	92.2	96.1	92.8	104.1				133.3
(12. H)	100	86.6	85.4	85.9	85.9	84.6	86.9	89.4	90.8	90.5	96.4	95.1	100.3	99.5	108.2				137.2
VEHICLE JENOTS	125	92.4	87.7	86.7	87.4	85.9	89.2	92.4	92.2	93.2	99.7	97.9	102.3	102.0	110.0				139.4
CONFIG JE-070	160	101.6	90.1	89.4	90.1	88.6	92.1	94.6	93.9	96.6	101.1	100.6	104.9	104.3	110.3				141.2
LOC EVENDALE	200	96.8	93.3	90.0	91.8	90.5	93.3	94.8	94.8	98.3	102.8	106.1	111.2	109.7	113.8				145.2
DATE 04-04-75	250	97.5	94.3	93.8	94.8	93.0	94.3	95.8	96.2	102.3	105.7	109.7	113.2	114.1	112.4				147.3
RUN DBTMODEL 8P	315	101.1	95.5	96.1	96.8	96.0	97.8	96.6	99.0	101.3	107.3	111.6	113.6	116.4	115.5				149.1
TAPE X80250	400	95.4	92.9	93.5	95.1	94.9	96.2	98.8	99.1	102.3	108.8	110.9	115.5	118.4	113.3				150.0
BAR 29.6 HG	500	98.1	98.6	98.8	98.0	96.7	98.4	100.4	102.4	104.9	109.4	112.9	119.9	120.1	117.3				152.8
(99921, N/M2)	630	99.8	99.9	99.4	97.9	98.4	98.8	101.6	102.6	106.9	111.4	116.4	120.8	123.1	119.1				154.9
TAMB 44, DEG F	800	100.7	100.7	101.4	101.0	100.0	100.5	102.7	104.6	107.3	113.0	116.0	120.3	121.2	120.2				154.4
(280, DEG K)	1000	103.3	100.6	101.3	101.2	100.0	101.9	104.4	105.6	109.1	114.3	116.5	119.2	121.1	118.4				154.1
TWET 36, DEG F	1250	104.0	102.2	102.1	102.1	101.3	103.0	105.4	105.7	109.2	114.4	116.9	121.0	120.4	117.0				154.5
(275, DEG K)	1600	102.1	102.8	102.0	102.8	101.6	104.3	106.1	106.5	110.4	114.3	115.9	119.8	119.4	115.8				153.7
HACT 0. GM/M3	2000	104.2	102.9	101.1	103.5	102.8	104.7	105.6	106.9	111.1	114.2	116.3	120.6	119.9	115.1				154.2
(. KG/M3)	2500	103.9	103.4	102.9	102.1	101.5	104.1	105.8	107.3	111.9	114.5	116.9	120.8	118.0	113.9				154.1
FREQ. SHIFT	3150	108.5	106.6	105.5	104.7	103.5	105.8	106.7	107.6	112.0	115.1	119.9	123.1	118.5	113.3				155.9
JET 0	4000	107.2	107.2	106.0	104.3	102.2	104.3	105.9	107.5	111.8	113.9	117.1	117.8	114.8	109.5				152.9
DIAMETER RATIO	5000	102.8	105.3	105.9	107.2	104.6	104.1	106.3	108.6	112.1	114.3	117.0	117.7	114.1	107.9				153.0
DF/DH 1.00	6300	101.7	103.2	103.7	105.8	107.3	107.1	106.6	107.6	111.0	113.3	115.8	116.6	113.0	106.8				152.3
	8000	101.8	103.6	103.9	104.8	104.8	106.1	107.1	107.8	110.3	113.2	115.0	115.3	111.7	105.9				151.8
	10000	100.7	103.2	103.9	105.0	103.9	105.3	107.4	107.5	110.1	112.4	114.1	114.2	110.7	105.3				151.4
	12500	99.8	102.6	102.7	103.9	104.3	104.8	106.3	107.2	109.4	110.9	112.6	113.8	109.5	103.4				150.7
	16000	98.2	100.5	101.2	102.8	103.2	104.2	105.1	105.8	107.6	110.0	111.9	111.7	108.5	102.1				149.9
366	20000	96.2	99.2	99.2	101.2	101.0	101.7	104.0	104.1	106.7	107.9	110.3	110.1	106.1	99.7				148.7
	25000	94.5	98.0	98.0	100.1	99.6	100.3	102.0	101.8	104.3	106.0	108.3	107.2	105.0	97.7				147.1
	31500	92.0	95.3	95.6	97.8	96.8	98.6	100.2	100.6	101.8	104.3	106.9	105.5	103.3	96.5				145.9
	40000	90.1	93.1	93.6	96.1	94.7	95.5	96.7	97.1	99.4	102.3	103.9	101.9	101.1	95.3				143.9
	50000	88.0	90.7	91.7	94.5	92.4	92.3	94.3	95.0	97.2	101.1	102.1	101.6	99.9	94.5				143.4
	63000	86.6	88.3	89.7	93.9	91.4	90.2	91.9	93.5	94.9	100.1	100.9	101.1	98.8	93.6				144.1
	80000	86.3	85.9	86.7	94.0	91.7	88.3	90.2	91.9	91.8	101.5	101.1	100.8	99.6	94.8				147.2
OVERALL MEASURED																			
OVERALL CALCULATED		115.8	115.8	115.6	116.2	115.6	117.0	118.2	119.2	122.6	125.9	128.6	131.6	131.1	128.1				166.2
PNDB		129.8	129.1	128.4	128.7	127.8	129.1	130.2	131.3	135.1	138.5	141.9	144.9	142.4	138.6				

Model 8

MODEL SOUND PRESSURE LEVELS (59. DEG. F, 70 PERCENT REL. HUM, DAY - JENOTS)

REV. ALPHA 12/73 - FREQ.	ANGLES FROM INLET IN DEGREES (AND RADIANs)																RWLI	
	30.	40.	50.	60.	70.	80.	90.	100.	110.	120.	130.	140.	150.	160.	0.	0.		0.
-NO EGA-----	50	61.6	63.3	61.9	62.2	62.5	62.6	63.4	63.8	65.4	66.6	69.0	70.3	64.8	75.5			107.3
RDG. NO. 0.	60	63.6	65.8	64.2	64.5	65.3	65.4	65.5	66.4	67.9	69.8	72.3	73.6	71.2	79.1			110.6
-RADIAL 40 FT.	100	67.2	69.4	66.7	66.9	67.5	67.2	68.3	69.1	70.6	72.6	75.2	77.9	74.0	82.4			113.7
(12. M)	125	71.7	69.7	70.2	70.5	70.0	70.2	72.0	72.8	74.5	75.4	78.7	81.8	80.8	86.9			117.7
VEHICLE JENOTS: 160	160	75.4	73.4	73.7	73.2	73.9	76.4	78.4	73.7	81.4	82.2	83.9	85.9	84.4	89.0			120.5
CONFIG JE-053 200	200	75.3	76.0	74.3	74.8	75.8	77.3	78.5	79.8	81.5	84.0	86.1	89.1	85.4	89.4			122.3
LOC EVENDALE 250	250	79.6	76.3	78.3	78.8	79.0	80.5	80.5	82.5	82.5	87.3	88.0	90.8	89.2	92.0			124.6
DATE 04-04-75 315	315	62.4	79.9	79.0	80.0	81.3	82.5	81.5	86.4	86.9	89.5	92.3	92.9	97.8	101.9			128.6
RUN DPTF R=136 400	400	77.9	75.7	77.1	78.9	80.4	80.7	82.6	83.3	87.1	90.1	89.5	95.3	97.5	98.1			131.9
TAPE X80260 500	500	79.6	79.6	80.3	79.3	80.5	81.6	83.5	85.2	86.7	88.2	90.2	96.6	97.3	98.8			130.7
-PAT 29.9 HG 630	630	80.1	80.2	80.7	80.2	81.5	81.5	84.1	85.9	87.7	88.2	92.0	96.1	96.9	97.8			131.2
(31039, N/M2) 800	800	79.2	80.9	81.1	81.8	82.5	83.0	83.9	87.1	88.3	90.5	92.7	94.3	93.0	95.7			131.0
-TAMB 59, DEG F 1000	1000	80.6	79.4	82.8	81.7	82.5	83.7	85.2	87.1	88.7	91.1	92.7	94.4	91.9	91.2			130.0
(280, DEG K) 1250	1250	79.8	80.2	81.1	81.6	82.5	83.5	85.9	86.5	88.2	90.4	93.4	93.8	91.0	88.2			129.7
-TWET 53, DEG F 1600	1600	79.4	81.3	81.0	81.3	82.9	84.3	85.1	86.3	87.4	89.8	91.9	92.8	88.7	86.0			129.3
(285, DEG K) 2000	2000	80.2	79.9	79.9	82.0	82.8	84.0	84.4	85.9	87.3	89.2	90.5	90.6	87.4	84.4			128.4
-HACT 8.91 GM/M3 2500	2500	79.4	79.9	80.6	79.8	81.0	82.3	83.6	85.5	86.7	88.2	89.4	89.1	85.5	82.9			127.4
(.00891 KG/M3) 3150	3150	77.2	79.6	80.0	80.7	81.0	82.3	82.5	84.6	85.5	87.3	88.1	87.8	84.6	81.8			126.4
-FREQ. SHIFT 4000	4000	76.4	78.7	79.0	79.6	80.2	81.6	82.1	84.2	85.1	87.2	87.1	85.6	82.6	80.0			125.5
JET 5000	5000	75.3	78.1	78.7	79.2	80.1	80.9	81.6	83.9	84.9	86.1	86.8	85.0	81.8	79.4			124.8
-DIAMETER RATIO 6000	6000	75.9	78.0	78.2	78.8	80.1	81.2	80.8	82.8	83.7	85.4	85.6	84.1	81.3	78.8			124.3
DF/DM 1.00 8000	8000	73.8	76.9	77.9	78.4	79.6	80.2	80.4	82.1	83.1	85.0	84.5	82.8	80.2	77.7			123.7
10000	10000	73.0	74.7	77.0	78.1	78.8	78.7	79.5	81.1	82.2	83.0	83.2	81.3	78.7	77.6			123.2
12500	12500	71.4	75.7	75.0	76.6	76.5	76.4	79.0	80.1	81.3	82.1	82.5	80.0	77.9	76.6			122.5
16000	16000	69.2	73.7	74.5	75.0	76.7	77.2	77.3	78.8	79.8	80.7	80.6	78.5	76.2	73.3			121.8
20000	20000	67.2	73.5	73.7	74.5	75.8	76.5	76.8	77.9	79.2	79.0	78.7	76.7	74.2	72.5			120.6
25000	25000	65.9	65.1	64.6	64.7	65.2	65.4	65.1	67.6	67.3	63.1	78.6	76.5	76.1	74.8			120.0
31500	31500	66.1	79.4	77.9	78.1	78.4	79.7	79.3	82.2	82.1	80.1	77.3	74.1	72.9	71.6			123.3
40000	40000	60.7	65.6	66.4	67.4	68.5	69.0	68.7	70.9	73.0	73.0	73.2	70.4	69.9	71.1			123.5
50000	50000	60.5	66.0	65.5	67.0	66.7	67.7	67.5	69.7	72.7	73.4	73.4	70.6	70.9	72.8			115.3
60000	60000	62.3	65.2	64.4	65.8	66.1	65.9	65.1	68.4	73.4	74.8	74.6	72.5	72.7	75.3			116.2
80000	80000	63.0	63.1	63.6	66.4	66.1	60.0	65.6	68.5	74.2	77.7	76.0	74.7	74.7	77.2			118.8
OVERALL MEASURED																		123.4
OVERALL CALCULATED		91.5	93.1	93.4	93.7	94.6	95.5	96.4	98.4	99.7	101.3	103.0	104.9	105.3	107.1			141.6
PNDB		103.3	104.3	104.7	105.2	105.9	107.1	107.8	109.7	111.0	112.7	114.0	114.6	113.3	114.5			

367

Model 8

ORIGINAL PAGE IS
OF POOR QUALITY

MODEL SOUND PRESSURE LEVELS (59. DEG. F, 70 PERCENT REL. HUM., DAY - JENOTS)

REV. ALPHA 12/73 - FREQ.	ANGLES FROM INLET IN DEGREES (AND RADIAN)																PWL	
	30.	40.	50.	60.	70.	80.	90.	100.	110.	120.	130.	140.	150.	160.	180.	190.		210.
NO EGA	50	64.3	66.3	66.1	66.4	67.0	68.1	67.9	57.8	70.4	71.6	73.8	75.5	72.1	80.7			112.2
RDG. NO. J.	63	68.3	69.6	69.2	69.5	70.3	70.9	71.0	60.9	72.1	74.6	77.6	80.1	77.0	84.3			115.8
RADIAL 40 FT	80	59.1	70.1	70.5	70.6	71.0	71.4	72.8	63.1	74.8	76.9	80.0	82.1	78.8	87.6			118.2
(12. M)	100	71.7	71.9	72.9	72.7	73.2	74.7	76.5	67.3	78.7	80.4	83.4	86.8	85.8	91.2			122.2
VEHICLE JEYOTS	125	75.5	74.7	75.2	75.5	74.7	77.7	80.2	70.5	81.7	84.2	86.5	89.1	88.8	94.0			125.1
CONFIG JE-053	160	83.4	77.4	78.7	78.4	78.9	81.4	83.1	73.4	85.7	87.4	88.9	91.7	91.1	95.1			127.5
LOC EVENDALE	200	80.3	80.3	79.0	79.3	80.0	82.3	83.0	74.0	86.0	88.5	92.1	95.1	95.2	97.8			130.1
DATE 04-04-75	250	82.8	82.5	83.3	83.3	83.0	84.0	84.3	75.8	91.3	91.3	95.5	96.8	98.9	100.4			133.0
RUN ORTF R=436	315	83.4	83.3	84.4	84.3	85.8	86.7	85.9	79.3	89.8	92.5	96.5	97.6	101.7	104.5			135.3
TAPE X80270	400	82.2	80.5	82.3	83.4	84.7	84.5	86.6	78.8	90.8	93.3	93.8	99.8	102.5	101.9			134.9
RAR 29.9 MG	500	84.3	84.3	85.3	84.8	85.7	86.9	88.2	80.0	91.4	93.9	97.0	102.6	103.1	100.6			136.2
(1139, N/M2)	600	85.1	85.7	86.5	85.2	86.5	86.8	88.9	80.9	92.7	94.2	98.2	101.8	102.2	100.3			136.0
TANK 59 DEG F	800	84.5	85.4	86.4	87.4	88.0	87.8	89.4	82.4	93.0	96.8	99.2	100.3	99.0	100.5			135.6
(288, DEG K)	1000	80.6	85.9	86.0	87.3	88.3	88.9	91.2	82.4	94.2	97.4	99.2	100.2	97.4	95.4			135.3
TWET 83 DEG F	1250	86.0	87.0	87.6	88.1	88.8	89.7	91.7	82.5	94.2	97.2	100.6	100.0	96.2	93.7			135.5
(285, DEG K)	1600	85.4	87.3	87.2	87.8	89.6	90.3	91.8	83.8	94.4	97.3	99.1	98.5	95.9	92.8			134.9
HACT 8.91 GN/M3	2000	87.2	87.4	86.9	86.5	90.1	91.0	91.4	83.2	94.8	97.2	99.5	99.1	96.2	92.6			135.2
(10691 KG/M3)	2500	85.9	87.7	87.9	87.3	89.0	90.3	91.3	83.3	95.4	97.2	98.4	98.3	95.0	92.9			134.8
FREQ. SHIFT	3150	85.7	87.8	88.0	88.2	89.5	90.0	91.2	83.1	94.7	97.8	98.4	97.8	95.0	93.1			134.8
JET C	4000	84.4	87.4	87.5	87.5	88.9	90.3	91.6	83.0	95.3	97.2	97.8	96.8	94.6	92.8			134.5
DIAMETER RATIO	5000	84.3	86.9	86.9	87.4	88.6	89.7	91.4	83.9	95.4	97.3	97.8	97.5	94.8	93.4			134.6
DF/DM 1.00	6300	83.0	86.8	87.7	88.3	89.6	89.9	91.8	83.3	95.2	97.1	97.6	97.1	95.3	94.8			134.8
	8000	83.8	86.4	86.9	87.9	89.1	90.0	90.9	83.1	94.1	96.5	96.8	96.3	95.2	95.5			134.5
	10000	83.5	85.7	86.0	87.3	89.0	89.4	89.5	82.3	94.2	95.5	96.4	95.0	95.0	95.1			134.2
	12500	81.7	85.0	85.3	86.3	88.5	88.7	90.0	81.3	92.8	94.9	95.5	94.2	93.7	93.6			133.6
	16000	79.4	83.0	83.7	84.5	86.4	87.5	88.3	80.6	91.8	93.2	93.6	92.7	92.2	91.3			132.5
	20000	77.5	80.5	82.0	83.0	84.5	85.5	86.1	79.1	90.2	91.2	91.7	90.2	89.7	88.5			130.8
	25000	75.6	79.1	79.8	81.4	82.4	82.9	84.6	76.3	87.8	89.1	89.6	87.8	87.9	86.6			129.2
360	31500	72.3	75.9	77.2	78.6	79.2	81.0	82.1	74.5	84.6	86.4	88.0	85.1	85.4	83.8			127.3
	40000	71.4	73.9	74.4	76.9	77.2	77.3	78.7	70.9	82.2	82.8	85.0	81.9	82.1	82.4			125.1
	50000	70.8	73.5	73.0	73.7	75.2	76.0	76.2	69.2	78.7	80.1	84.4	81.6	81.9	82.8			124.7
	63000	72.3	73.7	72.6	75.3	74.1	74.9	74.6	67.7	77.1	77.3	84.6	82.8	82.5	85.1			126.7
	80000	75.2	74.1	72.9	75.9	75.1	76.2	75.6	69.2	75.7	76.4	86.0	85.2	84.5	86.7			131.1
OVERALL MEASURED																		
OVERALL CALCULATED		97.9	99.1	99.6	100.1	101.3	102.1	103.3	95.2	106.8	109.1	110.8	111.7	111.4	111.3			148.1
PADB		110.2	111.7	112.0	112.4	113.6	114.4	115.7	107.4	119.3	121.7	123.0	123.2	121.5	120.6			

Model 8

MODEL SOUND PRESSURE LEVELS (59. DEG. F, 70 PERCENT REL. HUM. DAY - JENOTS)
 ANGLES FROM INLET IN DEGREES (AND RADIANS)

REV. ALPHA 12/73 - FREQ.	30.	40.	50.	60.	70.	80.	90.	100.	110.	120.	130.	140.	150.	160.	0.	0.	0.	RWL
	(0.52)	(0.70)	(0.87)	(1.05)	(1.22)	(1.40)	(1.57)	(1.75)	(1.92)	(2.09)	(2.27)	(2.44)	(2.62)	(2.79)	(0.)	(0.)	(0.)	
NO EGA	50	70.5	71.1	72.1	72.7	71.5	73.3	70.4	62.0	72.9	74.6	77.3	79.5	74.6	91.7			119.4
RDG. NO. 0.	63	72.1	72.8	73.7	73.5	74.0	72.9	73.5	65.9	76.9	78.1	81.3	83.1	79.5	93.1			121.5
RADIAL 40 FT. (12. M)	80	73.9	74.1	74.8	75.6	75.3	75.2	76.8	67.8	79.1	81.1	84.5	87.6	84.0	95.4			124.3
VEHICLE JENOTS	100	76.4	76.4	77.7	77.7	77.9	78.4	80.5	72.6	83.5	85.2	87.9	91.8	90.8	98.9			128.2
CONFIG JE-053	125	80.2	79.2	79.2	79.7	79.5	81.5	83.9	75.0	86.2	89.0	91.2	94.6	93.5	102.5			131.4
LOC EVERDALE	160	85.4	82.4	81.7	82.4	82.7	85.4	86.9	77.7	89.7	91.2	92.7	95.7	95.6	102.4			132.5
DATE 04-04-75	200	84.3	85.3	82.5	83.8	84.3	85.8	86.0	78.3	89.8	92.5	95.8	99.4	99.7	105.0			135.2
RUN DBTF- R=436	250	85.5	85.8	85.8	86.8	86.8	87.3	88.5	79.8	94.8	95.3	99.5	102.0	103.9	105.1			137.6
TAPE X80280	315	90.4	87.3	87.3	89.4	90.4	90.7	89.3	83.0	93.3	97.3	101.5	103.4	107.2	110.5			140.7
BAR 29.9 HG	400	86.4	84.7	85.6	86.9	88.4	89.2	91.1	82.8	95.3	98.6	100.3	106.5	108.7	107.9			141.1
(J1039, N/M2)	500	89.8	88.8	90.1	89.0	90.0	91.4	92.5	84.2	96.2	98.7	101.0	107.6	108.1	105.6			141.0
TAY3 59 DEG F	600	90.1	90.7	90.7	90.7	90.7	91.5	93.9	85.9	97.9	100.7	104.7	108.3	108.4	106.8			142.2
(288, DEG K)	800	89.7	90.7	91.4	91.5	92.5	92.8	93.9	87.4	99.0	102.5	105.0	106.8	104.5	107.7			141.4
TWET 53, DEG F	1000	91.3	90.6	92.5	91.9	93.5	94.4	95.9	87.9	100.2	104.4	106.2	106.7	104.4	103.7			141.9
(285, DEG K)	1250	91.5	91.7	92.6	92.6	93.8	95.0	97.2	88.5	100.5	104.7	107.4	106.5	104.5	102.5			142.3
WACT 8.91 GM/M3	1600	91.9	93.5	93.0	93.3	95.1	95.0	98.1	89.3	101.6	105.3	106.4	106.3	104.2	102.5			142.3
(.00891 KG/M3)	2000	93.7	92.7	92.6	95.0	96.1	95.7	97.4	89.7	101.8	106.2	107.0	106.9	105.2	104.4			143.0
FREQ. SHIFT	2500	93.4	94.2	94.1	93.3	95.2	96.3	97.8	90.5	103.4	106.7	106.9	107.6	106.5	105.6			143.7
JET 0	3150	94.2	94.5	95.0	95.2	95.3	97.3	98.0	90.6	102.5	106.6	106.9	107.8	108.5	107.1			144.1
DIAMETER RATIO	4000	93.4	93.4	94.5	94.8	96.2	96.8	98.1	91.0	103.6	106.2	106.8	108.6	109.8	108.8			144.8
DF/DM 1.00	5000	103.5	105.9	100.9	100.9	99.1	101.2	100.1	93.6	105.7	107.3	109.8	116.2	116.6	115.9			150.5
10000	6300	101.7	103.0	100.2	98.6	98.1	98.4	98.8	91.3	104.2	106.4	107.3	110.9	110.8	109.8			146.4
12500	8000	100.6	103.1	103.4	102.6	100.9	98.7	98.4	90.8	103.4	106.0	106.5	108.1	106.7	107.5			145.7
15000	10000	99.0	101.7	102.0	104.3	105.3	103.2	99.0	91.1	102.9	104.7	106.2	108.3	111.0	110.1			146.9
17500	12500	95.7	94.5	98.3	100.1	102.7	102.7	100.7	90.5	102.0	103.9	105.0	106.7	107.9	106.8			145.3
20000	15000	94.7	94.7	97.7	97.3	99.4	97.7	100.6	90.3	101.1	102.2	103.4	105.5	105.9	106.3			144.2
25000	20000	92.2	94.3	95.0	96.8	98.0	97.0	97.3	88.6	100.0	100.2	101.2	103.7	105.2	103.0			142.6
31500	25000	89.6	92.6	93.3	94.4	95.7	95.7	95.3	86.8	98.3	98.6	99.4	100.8	102.6	101.1			141.0
36000	31500	86.3	87.4	89.9	91.6	91.9	93.0	93.3	84.5	95.1	96.6	98.0	98.9	100.9	98.1			139.3
40000	40000	84.2	85.6	87.6	89.2	89.5	89.5	89.7	81.4	92.5	93.5	95.2	95.2	98.1	96.6			137.2
50000	50000	80.8	83.5	84.7	86.3	86.4	87.0	87.0	79.5	90.2	91.4	93.6	93.8	96.9	94.5			136.3
63000	63000	78.3	81.2	82.4	83.8	83.6	83.9	83.4	78.4	88.6	90.5	91.6	92.0	96.0	93.1			136.6
80000	80000	75.5	77.8	78.1	80.6	80.4	81.0	80.6	75.5	86.7	90.9	90.7	91.5	94.7	91.9			138.5
OVERALL MEASURED																		157.7
OVERALL CALCULATED																		
PND3	109.4	111.5	110.1	110.6	111.2	111.0	110.8	102.7	114.8	117.5	118.9	121.6	122.1	121.7				
	122.7	124.8	121.7	121.8	121.4	122.5	122.4	115.2	127.3	129.9	131.7	135.6	135.9	135.6				

Model 8

ORIGINAL PAGE IS
 OF POOR QUALITY

		ANGLES FROM INLET IN DEGREES (AND RADIANS)														PWL			
		30.	40.	50.	60.	70.	80.	90.	100.	110.	120.	130.	140.	150.	160.	0.	0.	0.	PWL
		(0.52)	(0.70)	(0.87)	(1.05)	(1.22)	(1.40)	(1.57)	(1.75)	(1.92)	(2.09)	(2.27)	(2.44)	(2.62)	(2.79)	(0.	(0.	(0.	
REV. ALPHA 12/73	FREQ.	59	66.8	56.8	68.4	57.4	68.0	68.6	69.1	59.8	70.4	72.1	76.0	78.8	73.6	89.5			117.3
	NO ESA	63	71.3	70.6	71.7	71.5	72.3	72.4	73.0	63.7	73.1	75.8	79.8	82.4	79.0	91.8			120.2
	RDS. NO. 3	80	72.1	72.6	73.5	73.6	73.8	73.9	75.6	66.1	76.8	78.9	83.0	86.4	82.8	93.6			122.7
	RADIAL 48 FT.	100	75.7	75.7	77.2	76.2	76.2	77.7	79.7	71.1	82.5	83.4	86.9	90.5	89.5	97.7			127.0
	(12. M)	125	79.2	78.5	78.2	78.5	78.0	81.0	82.7	73.7	85.0	87.2	90.2	93.6	92.8	101.3			130.3
	VEHICLE JENOTS	160	84.2	81.2	80.7	81.7	82.4	84.2	86.1	75.4	88.9	90.2	92.7	95.4	95.6	102.9			132.2
	CONFIG JE-053	200	85.0	84.8	82.0	82.8	82.8	85.0	86.3	77.3	88.8	91.5	95.8	99.6	100.0	107.3			136.2
	LOC EVE IPALE	250	86.8	86.3	86.0	86.3	86.0	87.0	87.0	79.0	94.3	95.3	99.5	102.0	105.4	105.9			138.1
	DATE 04-14-75	315	89.0	86.3	85.0	87.8	89.4	90.1	88.9	82.0	93.9	97.8	102.8	105.0	108.8	111.5			141.9
	PUT DSTF R=436	400	87.7	85.5	85.3	87.2	88.2	89.0	90.6	82.3	95.6	99.6	101.5	107.5	110.2	109.4			142.3
	TAPE X80290	500	92.1	90.6	89.8	88.3	89.0	90.6	92.2	84.5	96.2	98.7	103.0	110.6	112.6	108.3			144.1
	EAR 29.9 HG	600	92.8	91.5	91.0	90.0	91.0	90.3	92.4	84.6	97.4	99.5	105.0	111.3	112.9	111.1			145.1
	(01039, M/M2)	800	92.7	92.2	92.6	91.5	92.3	91.8	93.9	86.4	98.3	101.8	106.2	110.0	111.2	113.5			146.0
	TANK 59 DEG F	1000	93.6	91.4	92.3	91.9	91.8	93.2	95.4	86.4	98.7	102.4	106.0	108.9	109.9	109.7			143.6
	(288, DEG K)	1200	92.3	91.0	91.4	91.6	92.8	93.5	95.2	86.5	98.5	102.4	106.9	108.3	108.2	107.7			143.0
	TANK 53 DEG F	1600	91.4	91.3	91.0	91.3	92.9	94.0	95.3	86.8	98.6	101.6	105.4	106.8	105.7	104.8			141.5
	(285, DEG K)	2000	91.9	90.7	90.1	91.7	92.8	94.2	94.4	86.2	98.6	101.2	104.0	104.6	104.2	103.1			140.2
	FACT 8.91 M/M3	2500	93.4	90.9	90.9	90.3	91.5	92.3	94.1	86.0	97.9	100.7	102.6	102.8	100.8	99.9			138.7
	(.00891 KG/M3)	3150	89.0	90.1	90.5	90.9	91.5	92.0	93.5	85.3	97.0	100.1	101.6	100.6	99.3	98.8			137.6
	FREQ. SHIFT	4000	87.4	89.5	89.5	89.8	90.9	91.8	93.6	84.2	97.1	99.4	99.8	99.1	97.3	96.0			136.6
	JET C	5000	86.6	88.6	88.7	89.7	90.1	90.9	92.9	84.9	96.9	98.8	99.1	97.7	95.8	94.2			135.9
	DIAMETER RATIO	6300	85.9	88.0	88.7	89.3	90.6	91.4	91.8	84.3	96.2	97.9	98.3	96.9	95.0	92.8			135.4
	DF/DM 1.00	8000	85.3	87.4	87.9	88.4	90.4	90.5	91.4	83.3	95.4	96.8	96.8	95.3	94.2	93.0			134.5
		10000	84.3	87.2	87.3	88.3	89.8	89.4	90.5	82.8	94.9	95.7	95.9	94.0	93.0	91.8			134.0
		12500	82.9	85.7	86.1	87.3	88.7	88.9	90.0	81.8	93.3	94.6	94.8	92.5	91.7	90.6			133.2
		15000	83.7	84.0	84.5	85.5	87.4	87.5	88.8	80.3	91.8	93.5	92.9	90.7	89.5	88.0			132.0
		20000	78.7	82.0	82.7	83.8	84.8	86.0	86.6	78.6	90.2	91.0	90.9	88.4	87.7	86.0			130.4
		25000	77.4	82.6	82.6	83.4	83.7	84.4	85.1	76.8	88.1	88.4	88.6	87.0	86.1	84.6			129.2
		31500	76.6	85.1	83.9	83.4	83.9	86.0	86.8	78.0	86.6	86.4	87.3	84.6	83.7	82.8			129.3
		40000	77.2	88.1	87.1	86.4	86.2	87.5	88.0	79.9	89.2	84.5	85.2	82.2	82.1	82.6			131.3
		53000	72.0	76.0	78.0	78.5	78.2	79.0	78.8	72.0	81.7	81.9	84.6	82.8	81.4	83.5			126.9
		63000	72.5	75.5	75.4	76.8	76.6	77.1	76.8	69.2	78.1	81.5	84.8	84.5	83.0	86.1			125.1
		80000	73.2	76.1	74.9	77.1	76.4	77.2	77.1	69.7	76.9	82.2	86.2	86.5	85.7	87.2			132.3
	OVERALL MEASURED																		153.9
	OVERALL CALCULATED		102.9	102.7	102.7	102.9	103.9	104.6	105.9	97.7	109.8	112.5	115.6	118.8	120.0	120.1			
	PND8		114.3	114.6	114.8	115.1	116.0	116.6	118.0	109.8	121.8	124.5	126.7	128.0	128.2	128.5			

Model 8

MODEL SOUND PRESSURE LEVELS (59, DEG. F. 70 PERCENT REL. HUM. DAY - JENDTS)
 ANGLES FROM INLET IN DEGREES (AND RADIANS)

	39.	40.	50.	60.	70.	80.	90.	100.	110.	120.	130.	140.	150.	160.	0.	0.	0.	PWLI
REV, ALPHA 12/73 FREQ.	(0.52)	(0.70)	(0.97)	(1.25)	(1.22)	(1.40)	(1.57)	(1.75)	(1.92)	(2.09)	(2.27)	(2.44)	(2.62)	(2.79)	(0.)	(0.)	(0.)	
NO EGA	63	74.1	74.1	75.9	76.0	76.3	78.2	77.0	78.4	78.6	80.6	84.1	86.9	83.2				125.9
RDG. NO.	30	76.9	77.9	78.3	78.1	78.3	78.7	80.3	80.6	82.1	83.6	88.0	91.1	87.5				126.5
RADIAL (12. M)	100	80.4	89.2	81.7	81.4	80.7	81.7	84.0	86.1	87.0	88.2	91.7	95.5	94.5				128.9
VEHICLE JENDTS	160	84.2	83.5	83.5	83.5	83.2	85.5	87.7	83.5	87.7	92.2	95.0	98.4	97.5				132.5
CONFIG JE-053	200	89.2	85.9	85.9	86.4	86.9	88.7	90.9	91.7	93.7	94.7	96.9	99.7	99.9				135.0
LCC EVEVALE	250	89.0	88.3	86.3	87.3	87.5	89.0	90.0	91.5	92.8	96.0	100.1	104.1	104.7				136.5
DATE 84-04-75	315	91.5	90.3	89.5	90.0	89.3	90.8	90.5	92.5	93.3	98.5	103.9	106.8	103.9				140.1
RUN DIFF R=436	400	93.5	90.5	90.0	92.5	93.5	92.5	93.0	96.3	96.5	102.0	107.0	107.9	112.2				142.0
TAPE X80300	500	99.9	88.5	89.3	91.2	91.7	92.5	94.6	96.3	99.1	103.3	105.5	111.5	114.0				145.5
BAR 29.9 HG	600	98.1	93.8	93.3	92.8	93.2	94.4	96.2	98.5	99.9	102.7	106.0	113.6	115.3				146.1
(01033, V/M2)	800	95.1	95.0	94.7	93.7	95.2	94.8	97.1	98.9	101.4	104.0	109.7	115.1	116.9				147.3
TWT 59, DEG F	1000	93.2	93.4	95.9	95.3	96.8	96.5	97.7	101.1	102.5	106.3	110.0	112.5	114.5				149.2
(283, DEG K)	1250	98.1	95.6	96.0	95.7	96.3	97.7	99.2	100.9	103.7	107.9	110.0	112.7	114.1				148.5
TWT 53, DEG F	1500	97.0	95.2	96.4	96.6	97.7	98.2	99.9	101.5	103.7	107.2	110.9	112.0	113.2				147.9
(285, DEG K)	2000	95.8	95.8	96.0	96.8	97.9	98.8	100.3	102.0	104.4	107.3	109.9	110.8	111.9				147.6
HACT 3.91 GH/H3	2500	97.7	95.7	95.6	98.0	98.5	99.4	99.9	101.7	104.3	107.5	109.2	110.3	112.9				146.9
(.00891 KG/H3)	3150	97.9	97.4	97.1	96.3	97.7	98.8	100.1	102.0	105.2	107.9	108.4	110.1	112.8				147.0
FREQ. SHIFT	4000	97.2	97.8	97.4	97.1	98.3	99.0	99.4	102.3	104.7	107.8	108.6	111.3	113.0				148.8
JET	5000	97.2	97.2	96.2	97.0	97.6	96.5	100.1	102.4	104.8	107.1	108.3	111.0	111.5				147.1
DIA-METER RATIO	6300	97.3	98.1	96.9	96.9	97.3	98.6	99.8	102.8	105.6	108.0	109.0	112.2	110.8				146.6
DF/DH 1.00	8000	96.6	97.5	97.7	98.3	99.3	99.6	99.8	102.3	105.7	107.1	109.3	112.3	110.5				147.0
	11000	95.0	95.8	96.1	97.6	99.3	99.4	99.8	102.5	104.6	106.7	108.7	110.0	109.4				147.1
	12500	94.5	95.2	95.2	96.7	98.7	98.8	99.5	102.0	104.4	105.9	108.1	108.2	107.9				146.3
	16000	92.9	94.2	94.3	96.2	97.4	97.1	99.2	101.3	103.2	104.8	106.9	106.9	106.8				145.6
	20000	91.0	92.3	92.8	94.6	96.5	97.0	98.1	101.0	101.9	103.6	105.7	105.3	105.0				144.8
	25000	88.5	90.3	91.0	92.8	94.3	94.3	96.1	98.2	100.0	101.5	103.7	103.7	102.7				144.0
	31500	86.7	88.9	89.9	91.8	92.0	93.3	94.2	96.9	98.7	99.5	101.4	100.6	101.2				142.3
	40000	83.9	86.8	87.6	89.3	89.8	91.4	92.9	94.4	96.0	97.2	100.1	98.7	99.0				140.9
	50000	81.5	84.7	85.2	87.5	88.4	89.1	90.6	92.0	93.4	93.9	96.9	95.5	96.5				139.4
	63000	79.1	82.6	83.6	86.1	85.3	86.3	87.9	90.1	90.8	92.5	95.5	94.2	95.0				137.4
	80000	76.3	79.0	79.4	81.6	81.4	82.7	83.7	89.2	89.0	90.9	93.4	92.6	93.8				136.7
	100000	74.5	76.1	76.2	78.4	77.9	79.5	80.1	83.5	87.4	91.9	91.7	91.2	92.7				136.7
OVERALL MEASURED																		139.9
OVERALL CALCULATED		108.9	108.7	108.5	109.2	110.2	110.8	111.9	114.2	116.6	119.2	121.5	124.1	125.5				136.2
PWDB		121.4	121.4	121.1	121.3	122.3	123.0	124.1	126.4	128.8	131.6	133.3	136.0	137.2				

Model 8

ORIGINAL PAGE IS
OF POOR QUALITY

REV: ALPHA 12/73	FREQ	ANGLES FROM INLET IN DEGREES (AND RADIANS)																PHL
		30	40	50	60	70	80	90	100	110	120	130	140	150	160	0	0	
NO EGA	50	82,8	82,6	81,9	82,4	80,5	82,8	82,9	83,0	82,6	91,4	85,8	88,5	101,0	103,8	0	0	0
RDG, NO	63	84,1	83,8	82,4	83,0	81,5	82,7	84,3	84,2	83,9	92,1	89,6	91,9	88,8	103,8	0	0	0
RADIAL (12, M)	80	85,1	85,1	84,8	85,9	83,8	84,9	85,6	86,1	86,8	93,6	92,5	96,1	92,5	105,4	0	0	0
VEHICLE CONFIG	100	86,9	86,4	87,2	86,9	85,2	87,2	89,2	90,1	91,0	96,7	96,2	100,5	99,5	108,9	0	0	0
LOC EVENDALE	125	91,5	88,7	88,0	88,5	86,5	89,7	92,2	92,2	93,5	99,5	98,5	102,9	101,1	111,3	0	0	0
DATE 04-04-75	160	96,4	90,9	90,2	90,7	89,4	92,4	94,9	94,7	97,4	101,9	101,7	105,7	105,7	113,4	0	0	0
RUN DBTF R=40	200	94,8	93,3	91,3	91,3	90,5	92,8	94,3	94,5	97,0	102,5	106,1	106,1	111,2	113,5	0	0	0
TAPE BAR 29,9 HG	250	96,7	94,3	94,7	95,2	92,8	94,0	96,2	96,2	98,8	103,2	105,7	108,8	113,2	114,3	0	0	0
(01039, N/M2)	315	96,8	95,5	95,3	97,1	95,8	96,7	95,8	98,8	100,6	106,6	106,6	111,3	113,6	117,6	0	0	0
TAMB (288, DEG F)	400	95,2	93,2	93,8	94,9	95,2	96,0	98,3	99,1	102,3	107,6	109,5	115,5	115,5	118,3	0	0	0
TWET (285, DEG K)	500	99,8	98,6	98,6	97,0	96,7	98,6	100,2	101,5	104,7	108,4	112,5	115,5	118,3	121,6	0	0	0
HACT (8,91 GM/M3)	630	100,1	100,5	100,2	98,2	98,0	98,3	101,4	101,9	105,9	109,5	115,0	120,1	121,1	118,8	0	0	0
FREQ, SHIFT	800	102,0	100,7	100,5	100,5	100,0	100,0	102,4	102,6	107,0	111,8	115,7	120,1	121,1	120,7	0	0	0
DIAMETER RATIO	1000	104,1	100,4	101,1	101,4	101,8	101,2	104,2	104,6	107,9	113,4	115,2	117,2	120,1	118,4	0	0	0
DF/DH 1.00	1250	103,8	101,5	102,1	101,8	101,3	101,3	104,4	105,2	108,7	113,7	116,1	119,3	121,1	117,0	0	0	0
JET	1600	102,6	102,5	102,0	101,8	101,4	103,3	105,6	105,8	109,9	115,6	119,4	119,4	119,7	116,0	0	0	0
OVERALL MEASURED	2000	104,4	102,4	101,9	103,3	102,6	104,0	105,1	106,2	110,6	113,5	115,8	119,1	119,1	114,6	0	0	0
OVERALL CALCULATED	2500	104,7	104,2	103,1	101,3	101,5	102,8	105,1	107,0	111,4	113,5	115,9	119,3	118,0	113,1	0	0	0
	3150	105,0	104,3	103,7	103,4	102,8	103,3	105,2	107,1	110,7	113,5	116,6	119,3	117,3	111,6	0	0	0
	4000	101,4	102,2	102,5	103,1	102,9	103,8	105,1	107,5	111,6	113,7	117,1	117,3	114,1	109,5	0	0	0
	5000	100,8	101,6	101,7	102,4	102,4	103,9	105,9	107,3	112,1	114,1	116,8	116,7	113,3	108,4	0	0	0
	6300	100,4	101,2	101,7	102,8	102,3	104,4	106,3	107,3	111,2	113,6	115,3	115,4	112,5	106,8	0	0	0
	8000	100,0	100,6	101,4	102,3	102,6	103,4	106,2	107,3	110,1	112,5	114,2	114,3	111,1	105,7	0	0	0
	10000	99,5	100,2	101,7	102,5	103,2	103,8	105,2	106,8	110,1	112,4	113,6	113,0	110,1	105,5	0	0	0
	12500	97,8	99,6	100,4	102,1	102,5	103,0	105,6	106,2	108,6	110,9	112,1	111,8	109,1	103,6	0	0	0
	16000	96,4	97,7	99,2	100,3	101,7	101,7	104,6	105,1	107,3	109,5	111,1	110,2	107,7	102,3	0	0	0
	20000	94,4	96,2	97,4	99,0	99,7	100,2	102,8	102,8	106,2	107,7	109,4	108,4	106,2	100,0	0	0	0
372	25000	93,0	95,2	96,5	97,8	97,8	98,8	101,0	101,7	104,2	106,0	107,5	106,2	104,3	98,7	0	0	0
	31500	90,2	92,8	93,8	95,3	95,6	96,6	98,7	99,4	101,5	104,5	106,2	104,3	102,1	95,7	0	0	0
	40000	88,1	90,8	91,8	93,4	92,9	93,7	95,7	96,3	98,7	101,2	103,7	101,2	100,6	94,3	0	0	0
	50000	86,3	88,5	89,5	90,5	89,7	91,3	93,3	94,2	97,0	99,9	101,9	99,8	99,7	93,8	0	0	0
	63000	85,1	86,8	87,4	88,6	87,9	88,7	90,7	92,5	94,4	99,1	101,1	99,3	99,3	95,4	0	0	0
	80000	85,3	85,4	84,5	86,7	86,0	87,6	88,7	90,9	92,8	99,8	100,6	99,3	98,3	96,5	0	0	0
OVERALL MEASURED																		
OVERALL CALCULATED		114,6	114,0	114,1	114,4	114,3	115,3	117,4	118,5	122,2	125,2	127,7	130,3	131,0	128,5			165,4
PNDP		127,8	127,1	126,9	126,9	126,4	127,5	129,3	130,9	134,7	137,5	140,4	142,8	141,9	138,4			

Model 8

231

REV. ALPHA 12773	FREQ.	ANGLES FROM INLET IN DEGREES (AND RADIANS)																	PHL
		30	40	50	60	70	80	90	100	110	120	130	140	150	160	0	0	0	
RDG. NO. 0	50	67,1	68,3	69,4	71,5	71,3	72,2	72,3	73,7	73,9	75,1	76,4	76,6	78,1	77,1	79,9	76,0	83,7	114,0
RADIAL 40, FT.	80	71,4	72,1	73,5	72,9	73,3	73,9	75,1	76,4	76,6	78,1	80,2	84,4	80,8	84,4	80,8	84,4	80,8	120,5
VEHICLE JENOTS	100	73,7	74,2	75,7	75,4	75,4	76,9	79,0	80,6	81,7	82,9	84,7	88,8	87,5	94,4	87,5	94,4	87,5	124,8
CONFIG JE-053	125	76,2	76,0	77,0	77,2	76,5	79,5	82,4	82,7	84,2	86,0	88,2	91,6	91,0	97,3	91,0	97,3	91,0	127,8
LOC EVENDALE	160	80,9	79,2	79,4	80,2	80,2	82,9	85,1	84,9	87,2	88,7	89,9	93,2	92,9	98,1	92,9	98,1	92,9	129,5
DATE 04-07-75	200	81,8	82,3	80,3	81,3	81,7	83,3	84,5	85,5	87,2	88,5	90,3	95,1	95,7	98,9	98,9	101,9	98,9	131,2
RUN DBTF R=40	250	83,5	84,6	83,8	84,8	84,0	86,1	85,3	87,3	92,1	90,3	93,3	96,1	98,9	101,9	101,9	105,8	101,9	133,3
TAPE X90330	315	85,8	84,6	85,0	85,8	85,0	87,5	86,5	89,8	88,5	91,5	94,5	97,6	101,4	101,4	105,8	101,4	105,8	135,6
BAR 29,9 HG	400	82,7	81,5	82,6	84,4	85,9	86,0	87,1	89,1	90,1	92,6	92,5	99,8	102,2	102,2	102,6	102,2	102,6	135,0
(01039, N/M2)	500	85,1	85,6	86,8	85,5	86,2	87,6	89,5	90,7	91,7	93,2	95,7	102,1	102,1	102,1	99,3	99,3	99,3	135,7
TANB 59, DEG F	630	85,3	88,7	88,7	87,7	88,5	88,8	90,4	91,6	92,4	93,5	97,7	102,1	102,1	101,9	100,8	100,8	100,8	136,3
(288, DEG K)	800	86,0	87,9	88,4	88,8	89,5	89,5	90,2	93,6	94,0	97,0	99,5	101,3	99,2	102,5	102,5	102,5	102,5	136,7
THET 53, DEG F	1000	88,6	88,9	90,8	89,7	90,0	91,4	92,9	94,1	95,2	98,6	100,5	101,4	99,4	97,7	97,7	97,7	97,7	137,0
(285, DEG K)	1250	89,5	90,2	90,6	90,8	91,5	92,2	93,7	94,7	95,7	98,7	101,9	101,3	99,0	96,7	96,7	96,7	96,7	137,5
HACT 8.91 GM/M3	1600	89,6	91,8	91,2	92,0	92,1	93,3	94,3	95,5	96,6	98,6	101,6	101,8	98,9	96,0	96,0	96,0	96,0	137,8
(00891 KG/M3)	2000	91,2	92,9	90,9	93,5	93,3	94,2	93,9	95,9	96,8	99,7	101,8	102,1	98,9	96,9	96,9	96,9	96,9	138,3
FREQ. SHIFT	2500	91,2	93,4	93,1	92,1	92,7	93,8	94,3	96,8	97,7	100,5	101,4	102,4	98,3	96,1	96,1	96,1	96,1	138,5
JET 0	3150	90,7	93,6	93,2	93,4	93,5	93,8	94,2	96,3	97,5	100,3	101,4	101,3	99,5	96,6	96,6	96,6	96,6	138,4
DIAMETER RATIO	4000	97,7	97,9	94,0	95,3	94,9	95,6	95,4	97,2	98,1	100,9	101,6	101,3	99,8	101,3	101,3	101,3	101,3	139,6
DE/DM 1,00	5000	101,8	101,6	96,7	98,2	97,1	97,2	96,6	98,1	99,4	101,6	101,8	102,2	101,3	104,4	104,4	104,4	104,4	141,3
OVERALL MEASURED	6300	95,9	99,2	98,9	98,8	98,1	96,9	95,1	96,8	97,7	100,3	100,8	100,1	99,5	97,8	97,8	97,8	97,8	140,0
OVERALL CALCULATED	8000	94,0	97,6	98,1	99,6	100,1	99,4	97,3	97,7	97,8	100,0	100,5	99,3	99,4	97,9	97,9	97,9	97,9	140,6
PND8	10000	94,2	96,4	96,4	97,7	99,2	98,8	98,4	99,2	98,6	99,9	99,8	98,4	98,9	98,7	98,7	98,7	98,7	140,6
	12500	92,9	96,2	96,6	97,3	97,2	96,9	97,5	98,6	98,0	99,4	99,0	98,5	97,7	97,1	97,1	97,1	97,1	140,1
	16000	91,1	94,4	95,1	95,9	97,1	96,9	96,5	97,2	97,5	98,6	98,3	96,6	96,1	95,2	95,2	95,2	95,2	139,5
	20000	89,0	92,6	93,0	94,4	95,4	95,3	95,4	96,2	96,8	97,6	96,5	94,5	94,3	93,6	93,6	93,6	93,6	138,6
373	25000	87,1	91,1	91,6	93,2	93,7	94,0	94,3	95,9	95,9	96,4	95,4	93,0	92,4	91,1	91,1	91,1	91,1	137,9
	31500	84,8	89,6	89,4	90,9	90,7	92,8	92,6	94,5	94,2	95,4	94,3	91,4	91,2	88,8	88,8	88,8	88,8	136,9
	40000	82,5	87,2	87,5	89,2	88,6	89,4	89,8	91,2	90,6	90,9	91,1	87,0	87,7	86,2	86,2	86,2	86,2	134,4
	50000	79,7	83,9	84,2	85,5	84,9	85,4	85,9	87,9	87,1	88,3	87,8	84,0	84,8	83,2	83,2	83,2	83,2	132,1
	63000	77,5	80,7	81,3	82,5	81,3	82,1	82,3	84,4	84,4	84,5	85,3	81,8	82,5	81,0	81,0	81,0	81,0	130,9
	80000	76,5	77,1	77,4	78,9	78,9	79,8	79,9	81,6	81,0	83,0	82,3	79,8	79,5	79,5	79,5	79,5	79,5	131,3

ORIGINAL PAGE IS OF POOR QUALITY

Model 8

REV, ALPHA 12/73	FREQ.	ANGLES FROM INLET IN DEGREES (AND RADIANS)																		PWL
		30, (0,92)	40, (0,70)	50, (0,87)	60, (1,05)	70, (1,22)	80, (1,40)	90, (1,57)	100, (1,75)	110, (1,92)	120, (2,09)	130, (2,27)	140, (2,44)	150, (2,62)	160, (2,79)	0, (0,00)	0, (0,00)	0, (0,00)		
NO EGA	50	69,1	69,8	72,4	69,9	70,2	70,6	71,4	72,3	72,4	74,1	77,3	79,8	75,8	91,2				119,1	
RDG. NO.	63	72,1	72,1	74,7	73,2	73,3	74,4	74,8	75,9	75,9	78,6	81,3	84,1	80,5	92,3				121,4	
RADIAL 40, FT.	80	73,9	74,9	76,5	75,9	75,5	76,2	77,6	78,8	79,3	80,9	84,0	87,9	84,8	95,9				124,8	
(12, M)	100	77,2	77,7	79,2	77,9	77,9	79,4	81,2	83,8	84,5	85,7	87,9	92,8	91,8	99,2				128,8	
VEHICLE JENOTS	125	80,0	80,0	80,5	80,5	80,0	83,2	85,2	86,0	86,5	89,5	91,5	95,4	95,0	102,0				131,8	
CONFIG JE-053	160	85,2	82,7	82,9	83,7	83,7	85,4	87,9	88,7	90,4	92,4	93,9	97,7	97,4	103,1				133,8	
LOC EVENDALE	200	85,8	86,0	84,0	84,3	84,7	86,8	87,5	89,7	90,0	93,3	95,3	99,6	100,2	106,5				136,1	
DATE 04-07-75	250	87,3	87,3	87,6	88,3	86,8	88,0	88,3	90,3	94,8	94,3	97,8	102,1	103,9	105,9				137,7	
RUN DBTF R=40	315	89,3	88,3	88,1	89,1	89,3	90,8	88,8	93,3	92,5	95,8	99,8	102,6	107,5	109,8				140,3	
TAPE X80340	400	86,4	85,2	86,1	87,7	88,7	89,2	90,3	93,1	94,3	97,3	98,0	105,3	107,7	106,9				140,0	
BAR 29,9 HG	500	89,3	89,6	90,6	89,3	90,0	91,4	92,7	94,5	96,2	98,2	100,5	107,1	107,1	105,1				140,6	
(01039, N/M2)	630	89,3	91,2	92,0	90,7	91,5	91,8	93,9	95,6	96,9	99,0	103,5	108,1	107,9	105,3				141,7	
TAMB 59, DEG F	800	89,7	91,2	92,1	92,5	92,5	93,5	94,4	97,6	98,8	101,5	105,2	108,3	105,0	106,2				141,5	
(288, DEG K)	1000	92,6	93,1	93,5	92,9	93,0	94,7	96,4	98,1	99,7	103,9	106,5	107,7	104,4	102,7				142,3	
TWET 53, DEG F	1250	93,3	93,2	94,4	94,1	94,5	96,2	97,0	99,2	99,7	103,9	108,3	107,8	104,2	102,2				143,0	
(285, DEG K)	1600	92,9	95,3	94,2	95,1	95,4	96,8	97,6	99,8	100,9	104,8	106,9	107,0	104,4	102,0				142,8	
HACT 8,91 GM/M3	2000	95,2	95,7	94,1	96,3	96,6	97,5	97,9	100,2	101,3	106,0	107,5	108,1	106,0	104,4				143,7	
(.00891, KG/M3)	2500	95,2	96,5	95,9	95,4	95,8	97,3	97,6	100,8	101,9	106,5	106,9	108,3	107,1	106,1				144,1	
FREQ. SHIFT	3150	102,8	102,6	98,7	98,4	97,8	98,3	98,7	100,8	102,5	106,8	107,9	109,6	112,3	115,3				147,2	
JET 0	4000	99,2	102,0	99,8	98,1	97,2	97,9	98,4	101,2	102,8	105,9	106,8	108,1	109,6	108,8				145,2	
DIAMETER RATIO	5000	99,4	101,6	102,2	101,7	99,6	98,7	98,4	101,6	103,7	106,6	107,8	109,0	109,4	107,7				145,9	
DF/DH 1.00	6300	97,2	99,8	101,0	102,3	102,8	102,2	99,4	101,3	103,3	106,4	107,3	109,1	110,3	107,8				146,2	
	8000	97,1	99,4	99,4	100,9	101,9	102,4	101,3	102,5	103,4	106,0	107,5	109,1	109,0	106,7				146,1	
	10000	97,5	99,6	99,9	100,5	100,7	100,6	101,4	103,2	104,1	105,6	107,1	107,7	107,9	106,5				145,9	
	12500	95,9	98,9	99,0	100,7	101,4	100,4	100,7	103,3	103,5	105,1	106,5	106,4	106,6	104,8				145,6	
	16000	94,0	97,5	98,0	99,1	100,5	100,3	100,4	102,2	102,9	105,6	105,2	105,5	105,3	102,6				144,9	
	20000	92,4	95,7	96,4	97,8	98,8	99,0	99,1	100,9	102,0	102,0	103,6	103,9	103,2	100,2				143,8	
	25000	90,7	94,9	95,4	96,6	96,6	97,3	98,0	99,5	100,2	101,0	101,7	101,4	101,2	98,7				142,7	
	31500	87,7	92,0	92,6	94,3	94,6	95,6	95,9	97,6	97,5	99,2	100,4	99,3	99,8	96,5				141,3	
	40000	85,9	89,8	90,3	92,1	92,0	92,5	93,0	94,9	94,7	95,8	97,2	96,1	96,8	95,1				139,2	
	50000	82,9	86,8	88,8	89,4	88,5	89,8	90,4	92,0	92,3	94,0	96,2	94,7	95,8	93,6				138,3	
	63000	79,7	83,9	85,3	86,2	85,5	86,1	86,5	89,4	90,1	91,7	94,8	93,0	93,9	91,7				137,9	
	80000	76,3	79,9	81,4	82,4	81,9	82,8	83,1	85,8	86,2	91,2	92,7	91,0	92,5	90,4				138,7	
OVERALL MEASURED																				
OVERALL CALCULATED		109,0	110,8	110,5	111,0	111,2	111,4	111,5	113,6	114,7	117,5	119,2	120,6	120,8	120,8				157,6	
PNDB		123,1	123,7	122,9	122,8	122,8	122,9	122,5	124,9	126,3	129,8	131,3	133,1	134,2	135,5					

Model 8

REV. ALPHA 12/73	FREQ.	ANGLES FROM INLET IN DEGREES (AND RADIAN\$)																PHL	
		30	40	50	60	70	80	90	100	110	120	130	140	150	160	0	0		0
NO EGA	50	65.8	67.1	68.9	67.4	67.5	67.8	68.6	69.5	70.1	71.8	74.5	77.8	72.1	89.2				116.9
RDG. NO.	63	69.1	69.6	71.9	71.2	71.3	71.7	72.5	73.7	73.1	75.1	78.3	82.1	79.2	91.1				119.6
RADIAL 40, FT.	80	70.9	72.4	73.8	73.6	73.5	73.7	74.6	76.1	77.1	78.9	81.7	85.6	82.0	93.9				122.6
(12, M)	100	74.4	74.9	77.2	75.9	75.2	76.9	79.2	81.1	82.0	83.2	85.7	90.3	89.3	96.9				126.5
VEHICLE JENOTS	125	78.0	78.0	78.5	78.5	77.5	80.0	82.7	83.5	84.5	87.0	89.2	92.9	92.3	100.0				129.5
CONFIG JE-053	160	82.9	80.4	80.7	81.4	81.2	83.7	85.4	85.9	88.4	89.2	91.2	94.9	94.4	101.6				131.5
LOC EVENDALE	200	83.9	83.8	82.0	82.3	82.3	84.3	85.3	86.8	88.0	90.5	93.3	98.1	98.5	105.3				134.5
DATE 04-07-75	250	86.0	85.5	85.3	86.5	84.8	86.0	86.0	88.0	93.0	92.3	96.5	100.5	102.2	104.4				136.0
RUN DBTFM R=40	315	87.5	85.8	86.0	87.0	87.3	88.5	87.5	91.5	91.3	94.8	98.8	101.1	104.9	108.8				138.7
TAPE X80350	400	84.7	83.5	84.3	85.4	86.4	86.7	88.6	90.8	92.6	95.1	96.3	103.3	105.2	105.4				138.0
BAR 29.9 HG	500	87.6	87.3	88.3	87.0	88.0	89.6	90.7	92.7	94.4	96.2	99.0	105.9	107.1	104.1				139.6
(01039, N/M2)	630	87.8	89.2	89.7	88.2	89.5	89.3	91.4	93.1	94.7	96.7	100.5	105.3	106.2	105.6				139.6
TAMB 59, DEG F	800	88.0	88.9	89.7	89.8	90.8	90.5	91.4	94.9	96.1	99.3	102.7	104.0	103.0	105.2				139.3
(288, DEG K)	1000	89.4	88.7	91.3	90.4	90.8	91.7	93.7	95.6	96.9	100.4	103.0	103.7	101.1	100.5				138.9
TWET 53, DEG F	1250	90.3	90.3	90.9	91.1	91.3	92.8	94.2	95.8	97.0	100.4	103.7	104.3	100.7	98.0				139.2
(285, DEG K)	1600	89.2	91.8	90.8	91.6	92.4	93.3	94.9	96.8	97.7	99.9	103.2	103.8	100.0	97.3				139.1
HACT 8.91 GM/M3	2000	90.8	91.5	90.7	93.1	93.1	94.0	94.9	97.0	97.6	101.0	102.8	103.7	100.0	98.2				139.3
(.00891 KG/M3)	2500	90.8	92.8	92.2	91.9	92.3	93.4	94.7	96.9	99.0	101.8	102.2	103.2	99.9	98.7				139.3
FREQ. SHIFT	3150	90.4	93.0	92.8	93.0	93.2	94.2	95.1	97.2	98.6	101.7	102.7	102.7	100.6	100.4				139.6
JET 0	4000	90.6	93.6	92.7	92.7	93.1	94.0	94.5	97.6	99.0	101.8	102.5	102.2	101.0	100.9				139.6
DIAMETER RATIO	5000	108.0	109.5	98.9	101.1	98.5	99.8	96.8	100.0	100.6	103.0	104.5	105.6	112.3	111.3				146.2
DF/DH 1.00	6300	98.4	102.2	98.4	98.0	96.3	95.9	95.3	97.8	98.9	101.6	102.3	102.4	104.7	105.0				141.7
	8000	97.2	101.3	101.3	101.8	100.5	97.3	95.5	97.7	98.8	101.1	101.9	102.0	102.9	102.9				142.1
	10000	96.5	100.0	100.2	101.3	102.2	101.7	98.3	98.3	98.9	100.4	101.4	101.3	103.2	104.8				142.9
	12500	94.7	98.0	97.6	98.5	99.9	99.9	99.0	98.6	98.3	100.1	100.3	100.5	101.9	102.1				141.8
	15000	92.7	96.2	96.7	97.3	98.0	97.7	97.8	98.3	97.9	98.8	99.2	99.5	100.5	100.8				141.0
	20000	90.3	94.1	94.5	95.6	96.1	95.6	95.4	97.5	97.3	97.1	97.5	97.2	98.5	98.3				139.7
	25000	88.3	92.8	93.5	94.4	93.9	93.9	94.0	95.3	95.8	96.1	95.1	95.4	96.8	96.5				138.5
	31500	85.5	89.6	89.9	91.6	91.1	92.4	92.5	93.7	92.8	94.3	94.2	92.6	94.9	94.3				136.9
	40000	83.0	87.7	88.7	89.2	88.8	89.4	89.8	91.0	90.3	90.4	91.1	89.7	92.4	91.9				135.0
	50000	80.0	85.2	86.0	87.3	86.5	87.5	88.5	89.2	88.5	87.6	88.2	87.8	90.4	90.0				134.0
	63000	76.9	81.9	82.5	84.0	82.3	83.5	83.5	85.1	85.0	84.7	86.2	87.2	88.9	88.7				132.9
	80000	75.3	78.6	79.2	80.2	79.5	80.3	80.6	82.6	81.2	81.2	83.3	87.3	88.5	88.2				133.8
OVERALL MEASURED																			
OVERALL CALCULATED		108.7	112.1	108.5	109.3	109.1	109.0	108.4	110.1	110.9	113.2	114.8	116.3	117.5	117.9				154.2
PNOB		122.9	125.8	119.8	121.0	119.8	120.6	119.5	122.0	123.0	125.5	127.2	128.6	131.3	131.2				

Model 8

ORIGINAL PAGE IS OF POOR QUALITY

R35

REV. ALPHA 12773	FREQ.	ANGLES FROM INLET IN DEGREES (AND RADIANS)																	PHL
		30, (0,52)	40, (0,70)	50, (0,87)	60, (1,05)	70, (1,22)	80, (1,40)	90, (1,57)	100, (1,75)	110, (1,92)	120, (2,09)	130, (2,27)	140, (2,44)	150, (2,62)	160, (2,79)	0, (0,0)	0, (0,0)	0, (0,0)	
NO EGA	50	57,8	68,1	68,6	68,9	70,5	69,6	70,4	70,8	71,6	74,8	76,3	79,3	74,6	100,0				126,2
RDG. NO.	63	70,3	71,3	71,9	72,0	72,8	72,9	73,8	74,7	74,6	78,6	81,1	82,9	79,7	100,1				126,7
RADIAL 40, FT.	80	72,6	73,6	74,0	74,6	75,0	75,4	76,8	77,6	78,1	80,9	83,5	86,9	83,5	100,4				127,4
(12, M)	100	76,2	76,2	77,2	77,2	77,4	78,2	80,7	82,1	83,2	86,2	87,7	91,5	90,5	102,9				130,6
VEHICLE JENOTS	125	79,2	79,0	78,5	79,5	78,7	81,2	84,4	84,7	85,5	89,0	91,0	94,6	93,5	103,5				132,0
CONFIG JENOTS	160	83,9	81,4	81,4	81,9	82,7	84,7	87,1	87,4	89,7	92,2	92,9	96,2	95,6	104,1				133,5
LOC EVENDALE	200	84,5	85,0	82,0	83,5	83,3	84,8	86,5	87,3	88,8	92,3	95,7	98,9	98,5	107,9				136,3
DATE 04-07-75	250	86,5	86,3	85,5	85,8	85,8	87,5	87,0	88,8	94,5	93,8	97,8	101,0	102,9	105,4				136,9
RUN DBTF R=40	315	88,8	86,3	86,3	87,8	89,0	89,5	88,5	92,5	92,3	95,8	100,0	102,4	105,7	109,8				139,7
TAPE X80360	400	85,9	84,2	84,8	86,7	88,2	88,2	90,1	92,1	93,6	97,3	98,0	105,0	107,0	106,6				139,6
BAR 29.9 HG	500	89,1	88,3	89,1	88,0	89,5	90,4	92,0	93,5	94,9	97,7	100,0	107,4	107,3	105,3				140,6
(01039, N/M2)	630	89,6	91,0	91,0	90,0	91,2	90,8	93,9	94,4	96,4	98,5	100,0	107,4	107,7	106,3				141,1
TAMB 59, DEG F	800	89,2	90,7	91,2	91,8	92,3	92,5	94,2	96,7	97,8	101,3	103,7	105,0	104,2	107,0				140,7
(288, DEG K)	1000	91,6	91,4	92,3	91,9	93,3	94,0	96,0	97,1	98,9	102,6	104,8	105,2	102,9	103,0				140,8
TWET 53, DEG F	1250	92,6	92,8	92,9	93,6	94,0	95,0	96,7	98,3	99,7	102,7	106,2	105,3	102,5	101,3				141,3
(285, DEG K)	1600	91,9	94,6	94,0	94,3	95,7	96,6	98,4	99,8	100,9	103,9	105,4	105,6	103,0	100,3				141,8
HACT 8,91 GM/M3	2000	94,0	95,2	93,7	96,1	96,9	96,8	97,9	100,0	100,9	104,8	105,6	105,9	103,3	101,2				142,3
(.00891 KG/M3)	2500	94,3	96,3	95,7	95,4	96,1	96,7	98,4	100,6	102,0	104,8	105,2	105,4	102,9	101,2				142,3
FREQ. SHIFT	3150	104,4	107,0	101,8	97,5	100,4	99,4	99,1	101,2	102,6	105,9	106,7	107,4	108,6	110,7				145,7
JET 0	4000	112,3	114,9	108,7	102,5	106,6	102,7	102,5	103,1	104,2	106,3	107,7	110,7	114,7	117,2				150,8
DIAMETER RATIO	5000	100,5	103,5	103,1	102,1	100,8	99,8	99,5	101,5	103,3	105,5	105,5	105,4	104,8	103,8				144,4
DF/DM 1,00	6300	99,6	102,7	103,1	105,0	105,3	104,4	103,5	101,8	102,4	104,8	105,3	104,6	105,5	105,5				145,6
	8000	102,7	103,3	101,5	103,0	105,3	106,3	108,0	104,7	102,8	104,1	104,7	104,2	107,6	110,1				147,0
	10000	99,3	100,5	100,7	101,5	103,0	102,7	102,8	103,6	103,2	103,7	103,9	103,3	104,7	106,1				145,0
	12500	97,7	99,7	99,8	100,5	101,9	101,9	102,0	102,6	102,0	103,4	103,0	102,2	104,2	104,8				144,5
	16000	95,9	98,0	98,0	99,3	101,0	101,2	101,6	101,1	101,1	102,3	102,4	100,7	102,5	103,1				143,8
	20000	94,0	96,1	96,3	97,6	98,9	98,6	99,2	100,0	100,1	100,3	100,5	99,2	100,0	101,6				142,4
375	25000	91,6	94,5	95,0	96,1	96,9	96,9	97,5	98,5	98,0	99,1	98,8	97,2	99,1	99,3				141,2
	31500	89,3	92,1	92,4	94,1	94,1	94,7	95,8	96,7	95,6	97,1	97,5	95,1	97,4	96,8				139,7
	40000	87,2	89,5	90,0	91,7	92,1	91,9	92,6	93,5	93,3	93,9	94,6	91,5	94,4	95,4				137,7
	50000	84,8	87,5	87,5	89,0	88,5	89,5	89,5	91,0	90,2	91,6	93,1	89,6	93,2	93,3				136,4
	63000	81,7	84,9	84,8	86,0	86,3	86,3	86,8	88,3	88,5	90,7	91,0	88,2	91,6	91,7				136,3
	80000	78,3	80,9	81,4	82,7	82,7	83,6	83,9	85,3	85,2	90,5	89,5	88,8	90,3	90,2				137,5
OVERALL MEASURED																			
OVERALL CALCULATED		114,4	116,8	113,0	112,0	113,5	113,0	113,6	113,6	114,1	116,3	117,5	118,6	119,8	121,6				157,5
PNDB		129,2	131,3	127,1	124,1	126,4	124,5	125,1	125,6	126,6	129,0	130,4	132,4	134,3	136,3				

Model 8

276

REV. ALPHA 12/73	FREQ.	ANGLES FROM INLET IN DEGREES (AND RADIANS)															PWL		
		30. (0.52)	40. (0.70)	50. (0.87)	60. (1.05)	70. (1.22)	80. (1.40)	90. (1.57)	100. (1.75)	110. (1.92)	120. (2.09)	130. (2.27)	140. (2.44)	150. (2.62)	160. (2.79)	0. (0.)		0. (0.)	0. (0.)
NO EGA	50	69.8	70.1	70.4	70.7	71.0	70.8	71.1	72.8	73.9	75.3	81.5	82.3	82.1	90.7				119.9
RDG. NO.	63	72.3	72.3	72.7	73.2	74.0	74.4	75.0	77.2	77.4	78.8	84.3	85.4	84.7	93.1				122.8
RADIAL 40 FT.	80	74.6	75.6	75.8	75.9	76.0	76.9	78.3	79.3	81.1	83.1	87.2	89.6	86.5	95.6				125.6
(12. M)	100	77.7	77.4	78.9	78.2	78.2	79.7	82.0	83.8	85.0	86.2	89.7	93.5	93.0	99.2				129.4
VEHICLE JENOTS	125	81.5	80.5	80.2	80.5	80.2	83.0	85.4	85.7	87.5	89.7	93.0	96.1	95.8	101.5				132.0
CONFIG JE-053	160	86.2	83.2	83.2	83.7	84.2	86.2	88.4	88.7	91.4	92.7	94.4	97.2	96.9	102.6				133.6
LOC EVENDALE	200	86.0	85.3	83.3	84.5	84.8	86.5	87.3	88.8	90.5	93.5	97.6	100.9	101.5	104.3				136.0
DATE 04-04-75	250	88.5	87.8	86.8	87.8	87.3	88.3	88.5	90.8	95.8	95.5	100.5	103.0	105.2	105.6				138.6
RUN DBTF R=436	315	90.3	89.0	87.8	89.0	90.3	91.0	89.8	93.8	93.8	97.8	102.5	104.6	108.4	110.3				141.4
TAPE X80370	400	87.7	85.5	86.3	87.9	89.9	89.7	91.6	93.6	95.8	99.1	100.5	106.8	109.7	107.6				141.6
BAR 29.9 HG	500	90.6	89.8	90.6	89.5	90.5	91.9	93.0	95.5	96.9	98.7	102.2	107.6	108.8	106.6				141.7
(01039 N/M2)	630	90.8	91.5	91.5	90.2	91.7	91.8	94.1	96.1	98.4	100.7	105.0	108.1	109.7	108.3				142.9
TAMB 59 DEG F	800	90.2	91.2	91.4	92.3	93.3	93.5	94.9	97.6	99.5	102.8	106.0	106.5	106.2	107.7				142.2
(288 DEG K)	1000	92.3	91.4	92.3	91.9	93.3	95.2	96.7	98.1	100.4	104.6	106.7	105.4	104.6	103.7				142.1
TWET 53 DEG F	1250	92.0	92.7	93.1	93.8	94.7	95.7	97.2	99.0	100.4	105.2	107.6	106.3	103.4	102.5				142.6
(285 DEG K)	1600	91.8	94.0	93.7	93.5	95.9	96.3	98.6	99.8	101.9	105.0	106.9	105.8	103.7	102.5				142.6
HACT 8.91 GM/M3	2000	93.9	93.2	92.6	95.5	96.3	97.7	98.1	100.2	102.3	106.0	106.7	106.3	105.4	104.4				143.2
(100891 KG/M3)	2500	94.4	94.7	94.9	94.3	95.5	96.8	98.3	100.5	103.2	106.9	106.6	106.8	106.3	106.1				143.8
FREQ SHIFT	3150	95.0	94.8	94.9	95.4	96.3	97.3	98.4	101.0	103.2	106.5	107.1	107.0	108.0	107.5				144.3
JET 0	4000	94.2	94.2	94.5	95.3	96.4	97.5	98.4	101.2	104.5	106.4	107.0	107.8	109.3	107.7				144.8
DIAMETER RATIO	5000	94.5	94.6	94.2	94.9	96.3	96.9	96.1	101.8	104.6	106.8	107.8	109.4	109.8	106.4				145.4
DF/DM 1.00	6300	95.6	95.7	95.7	95.5	96.3	98.1	99.3	101.8	104.4	106.6	107.3	109.8	109.5	104.7				145.5
	8000	96.5	97.8	97.3	96.8	97.3	98.1	99.3	102.0	103.8	105.9	108.0	109.0	107.7	104.7				145.3
	10000	95.7	96.9	97.7	98.2	98.9	98.1	98.5	101.8	103.6	105.4	107.4	106.7	106.7	103.3				144.9
	12500	92.6	94.2	95.3	97.7	99.1	98.6	99.2	100.8	102.4	104.3	106.4	106.4	105.8	101.8				144.4
	16000	90.5	92.8	92.8	94.3	97.0	98.3	98.9	101.0	101.7	103.1	104.7	104.3	103.5	99.6				143.4
377	20000	88.5	90.8	91.0	92.6	94.1	95.3	96.9	98.9	100.3	101.5	103.4	102.7	102.0	97.0				142.1
	25000	86.5	89.2	89.9	91.5	92.5	93.5	94.9	96.9	98.4	99.5	101.4	100.3	99.9	96.2				140.7
	31500	83.2	85.5	86.3	88.3	89.1	90.9	92.9	95.4	95.8	97.5	100.1	98.5	98.3	93.9				139.3
	40000	80.8	83.2	84.2	86.3	86.6	87.6	89.4	92.0	93.1	94.4	97.4	95.3	95.2	92.7				137.1
	50000	78.1	80.1	81.3	83.9	83.0	84.8	86.6	89.8	90.8	92.2	97.0	94.7	94.5	93.9				136.9
	63000	75.3	77.8	78.2	80.4	80.2	81.4	82.4	88.5	89.0	91.4	96.7	94.9	94.6	95.4				138.3
	80000	74.3	75.9	75.7	77.7	77.7	79.0	79.6	88.5	87.4	91.4	97.5	95.7	95.5	96.7				141.8
OVERALL MEASURED																			
OVERALL CALCULATED		106.2	106.8	106.9	107.6	108.7	109.5	110.7	113.0	115.1	117.6	119.3	120.1	120.5	119.3				157.0
PNDB		118.7	118.8	118.8	119.2	120.2	121.2	122.4	124.8	127.5	130.0	131.3	132.5	132.9	131.8				

Model 8

REV. ALPHA 12/73	-FREQ.	ANGLES FROM INLET IN DEGREES (AND RADIANS)																		PWL
		30. (0.52)	40. (0.70)	50. (0.87)	60. (1.05)	70. (1.22)	80. (1.40)	90. (1.57)	100. (1.75)	110. (1.92)	120. (2.09)	130. (2.27)	140. (2.44)	150. (2.62)	160. (2.79)	0. (0.00)	0. (0.00)	0. (0.00)		
NO EGA	50	69.6	69.3	70.9	70.4	71.2	71.3	72.1	64.0	75.9	77.3	78.5	80.5	75.1	96.2				123.1	
RDG. NO. 0.	63	71.8	72.3	73.2	73.0	73.8	74.2	75.3	67.4	78.6	79.6	81.6	83.1	80.0	95.3				123.1	
RADIAL 40 FT.	80	73.4	74.1	75.0	75.1	75.8	75.7	77.1	68.6	79.3	80.9	84.2	87.4	83.8	96.6				124.9	
(12 M)	100	77.4	77.4	78.7	77.9	77.9	78.9	81.2	73.1	84.0	85.2	87.9	92.0	91.0	99.7				128.7	
VEHICLE JEOTS	125	81.2	80.2	81.0	80.2	79.2	92.2	84.9	75.5	86.7	89.2	91.2	94.6	93.5	102.5				131.5	
CONFIG JE053	160	86.4	83.2	83.4	83.4	83.9	85.9	87.6	77.7	90.7	91.7	93.2	96.4	96.4	103.1				133.2	
LOC EVEYDALE	200	85.8	85.3	84.0	84.3	84.3	86.3	86.8	78.8	90.3	93.0	96.3	99.9	99.9	106.8				135.3	
DATE 04-04-75	250	87.5	87.3	87.5	86.8	86.8	88.0	88.0	80.0	96.5	96.0	99.8	102.0	104.7	106.1				138.3	
RUV DBTF R=436	315	90.0	87.5	87.8	89.4	89.8	91.1	88.5	83.0	93.8	97.3	101.5	103.9	107.7	111.5				141.3	
TAPE X80380	400	87.4	85.7	86.6	87.9	89.7	89.7	91.3	83.6	95.6	99.1	100.5	107.0	107.2	108.6				141.6	
BAR 29.9 HG	500	91.3	90.3	90.8	89.5	90.5	92.1	93.0	85.0	96.7	99.2	101.7	109.1	113.8	107.6				142.8	
(1039, M/M2)	630	93.1	91.7	91.7	90.7	91.7	92.0	93.6	85.9	97.4	100.0	104.5	109.3	113.7	110.1				143.6	
TAMB 59 DEG F	800	92.2	91.9	92.1	92.3	93.3	93.5	94.4	87.4	99.3	102.3	105.2	107.0	107.0	110.5				142.6	
(286, DEG K)	1000	93.5	91.6	93.3	92.4	93.3	94.7	96.2	87.4	99.9	103.1	105.7	106.7	105.9	106.2				142.0	
TWET 53, DEG F	1250	93.3	92.5	92.9	93.3	94.1	95.5	97.7	88.0	100.0	103.7	107.1	106.5	104.5	103.7				142.1	
(235, DEG K)	1600	92.1	94.0	93.2	93.8	95.1	95.8	97.3	89.0	100.4	103.6	106.1	105.8	103.9	102.8				141.7	
HACT 9.91 GM/M3	2000	93.9	94.9	92.9	95.2	96.3	96.7	97.6	88.9	103.8	104.0	106.0	106.4	104.2	103.6				142.1	
(.00891 KG/M3)	2500	93.9	93.2	94.6	94.1	95.5	96.1	97.6	80.3	101.9	104.7	105.6	105.6	104.5	104.1				142.2	
FREQ. SHIFT	3150	94.5	96.1	95.2	95.4	96.5	97.0	98.0	89.8	101.2	104.6	106.1	105.8	106.0	106.3				142.8	
JET 0	4000	103.9	109.7	100.5	102.1	102.5	99.8	99.6	91.0	103.3	105.4	106.8	108.6	113.1	115.5				147.9	
DIAMETER RATIO	5000	103.1	108.4	101.7	100.7	100.9	98.7	99.6	91.4	103.2	105.3	106.1	107.5	111.8	114.4				147.0	
DF/DM 1.00	6300	99.7	105.3	104.0	103.1	101.6	98.7	98.1	90.1	102.0	104.6	105.3	105.9	107.5	106.8				144.8	
	8000	98.3	103.9	103.2	104.9	106.1	105.5	100.1	90.3	101.6	104.0	104.5	105.3	109.0	110.0				146.0	
	10000	97.0	102.7	99.8	102.1	104.3	104.2	102.0	90.8	101.2	103.5	103.7	105.0	108.0	110.1				145.6	
	12500	95.2	100.0	99.6	100.1	101.2	100.9	101.7	90.8	100.3	102.1	102.5	103.7	106.7	107.6				144.1	
378	16000	91.7	97.5	97.2	98.5	100.7	99.2	99.1	89.8	100.6	101.2	101.1	102.2	104.2	105.8				143.0	
	20000	89.5	95.5	95.0	96.3	97.8	97.5	97.3	87.4	99.2	99.5	99.9	99.9	103.0	103.8				141.6	
	25000	86.9	93.3	93.1	94.2	95.7	95.2	95.6	85.8	97.1	98.1	97.9	98.0	100.9	101.3				140.1	
	31500	83.3	91.1	89.7	91.1	92.2	93.5	93.6	84.2	94.4	95.9	95.8	95.6	98.9	98.8				138.3	
	40000	80.9	87.6	87.6	88.7	89.5	89.8	89.5	81.1	91.5	92.5	93.2	92.4	96.4	97.1				136.2	
	50000	76.0	85.2	84.5	86.3	86.4	86.7	87.3	79.5	89.2	90.4	91.4	90.6	94.4	95.8				135.1	
	63000	75.8	82.2	81.8	83.6	83.4	84.1	84.1	78.4	87.9	89.5	89.6	88.5	93.5	94.3				135.4	
	80000	74.0	78.8	77.9	80.1	80.4	81.5	80.8	78.2	86.4	91.2	89.0	88.5	92.5	92.7				137.5	
OVERALL MEASURED																			157.1	
OVERALL CALCULATED		109.3	114.5	110.9	111.6	112.5	111.5	111.2	102.1	113.6	116.1	117.8	119.4	121.3	122.7					
PND3		123.9	128.2	123.2	123.5	124.1	122.7	122.8	114.2	126.3	128.7	130.4	132.0	134.5	136.4					

Model 8

MODEL SOUND PRESSURE LEVELS (59, DEG, F, 70 PERCENT REL. HUM, DAY - JENOTS)

REV. ALPHA 12773	FREQ.	ANGLES FROM INLET IN DEGREES (AND RADIANS)																PHL	
		30, (0,52)	40, (0,70)	50, (0,87)	60, (1,05)	70, (1,22)	80, (1,40)	90, (1,57)	100, (1,75)	110, (1,92)	120, (2,09)	130, (2,27)	140, (2,44)	150, (2,62)	160, (2,79)	0, (0,)	0, (0,)		0, (0,)
NO EGA	50	80,3	81,3	81,9	82,2	81,0	80,6	85,6	83,0	83,6	86,6	87,0	89,5	84,1	99,5				128,4
RDG. NO.	80	81,6	82,1	82,3	83,4	82,3	82,4	86,8	84,1	86,3	90,4	91,0	93,4	89,8	100,3				129,4
RADIAL 40, FT.	100	83,7	82,9	83,4	83,4	82,4	84,4	87,0	87,6	88,5	92,4	92,7	96,5	95,3	104,9				131,2
(12, M)	125	85,5	83,5	84,2	85,2	83,7	86,2	90,7	89,2	90,7	96,7	95,0	98,9	98,0	105,8				133,9
VEHICLE JENOTS	160	90,4	88,2	85,7	86,9	85,7	88,7	91,6	90,7	93,9	99,2	97,2	101,2	100,9	106,6				135,7
CONFIG JE-093	200	89,3	89,3	86,3	87,8	86,8	88,8	91,8	90,5	93,3	98,8	101,1	105,1	104,7	110,8				137,6
LOC EVENDALE	250	91,8	90,7	90,3	90,0	89,0	90,0	91,3	92,2	99,2	99,5	104,8	106,8	109,1	107,9				142,1
DATE 04-04-75	315	94,0	91,6	91,0	91,8	92,1	92,5	91,8	95,1	96,3	101,6	105,8	107,7	110,7	111,8				143,8
RUN DBTFR:R=40	400	90,9	88,5	89,1	90,4	90,7	91,5	94,1	94,6	97,6	101,6	103,3	109,3	112,0	109,1				143,8
TAPE X80390	500	94,1	93,3	93,8	92,8	92,5	93,9	96,2	96,7	99,7	103,4	107,0	113,4	114,8	111,3				147,0
BAR 29.9 HG	630	94,8	94,5	94,7	93,5	93,2	93,8	96,6	96,9	100,7	104,0	108,0	112,1	114,7	112,3				146,8
(01039, N/42)	800	95,2	94,4	95,4	95,3	94,8	95,5	97,4	99,1	101,8	106,8	109,2	111,0	112,5	113,5				146,7
TAMB 59, DEG F	1000	96,1	94,6	96,3	95,9	95,3	96,7	99,2	99,6	103,2	107,6	109,5	108,7	110,6	109,7				145,6
(288, DEG K)	1250	96,3	95,5	96,1	95,8	95,8	97,2	99,4	100,0	103,2	107,7	110,4	109,5	109,2	108,7				145,8
TWET 53, DEG F	1600	96,1	96,5	96,2	96,5	96,4	98,5	100,6	100,8	104,4	108,1	108,9	109,3	109,4	108,5				145,7
(285, DEG K)	2000	97,7	96,9	95,6	98,3	97,6	99,0	100,1	101,2	105,1	108,5	109,0	110,6	110,9	110,1				146,5
HACT 8.91 GH/M3	2500	97,9	97,7	97,4	96,8	97,2	98,8	100,3	101,8	105,4	108,7	109,1	110,8	112,0	110,1				146,9
(.00891 KG/M3)	3150	98,5	98,3	97,7	97,7	97,3	99,0	100,2	102,1	105,5	108,8	110,1	112,8	113,3	110,3				147,9
FREQ. SHIFT	4000	98,2	98,7	97,2	97,6	97,7	98,8	100,9	102,5	106,6	108,7	110,1	113,3	112,6	108,5				148,0
JET 0	5000	99,6	101,3	98,9	98,4	97,9	99,2	101,4	103,3	107,4	109,3	111,3	114,9	112,3	107,9				148,9
DIAMETER RATIO	6300	100,2	102,2	100,9	99,8	98,3	99,9	101,1	102,5	106,5	108,6	111,0	112,4	109,8	105,5				147,8
DF/DM 3,00	8000	98,3	100,8	101,1	102,3	100,3	100,7	101,1	102,8	106,1	108,0	110,5	111,0	109,0	105,0				147,4
	10000	96,7	98,9	99,7	101,5	102,2	101,8	101,2	102,5	106,4	107,6	109,6	110,2	108,4	104,0				147,3
	12500	94,8	97,8	97,9	98,9	99,8	101,5	102,1	101,9	104,8	106,9	108,8	108,6	107,3	102,9				146,6
	16000	93,1	96,2	96,5	97,5	98,2	99,2	101,1	101,8	104,1	105,7	107,6	107,4	105,7	100,5				145,8
	20000	91,4	94,2	94,7	96,2	96,5	97,4	98,8	100,3	102,4	103,7	106,1	105,4	103,9	99,0				144,5
379	25000	89,0	92,7	93,0	94,8	94,1	95,6	97,5	98,5	101,0	101,8	104,0	102,9	102,5	97,2				143,1
	31500	86,2	89,8	90,1	92,0	91,6	93,9	95,2	96,6	98,0	100,3	102,4	101,5	100,3	94,7				141,7
	40000	83,9	86,3	88,3	89,4	88,9	90,2	91,9	93,1	95,9	97,0	99,9	98,1	97,6	93,3				139,6
	50000	80,8	84,5	84,7	86,8	86,0	87,5	90,0	91,2	93,0	95,9	99,1	98,1	96,7	93,5				139,4
	63000	78,6	80,8	81,9	83,6	82,4	83,7	87,9	89,5	91,4	95,6	97,4	96,6	96,3	94,1				140,0
	80000	76,8	76,9	78,0	79,7	78,7	80,6	86,4	88,9	88,3	97,0	97,6	97,6	96,8	95,5				143,4
OVERALL MEASURED																			
OVERALL CALCULATED		109,7	110,6	110,3	110,8	110,5	111,6	113,0	114,1	117,5	120,3	122,2	124,1	124,3	122,6				160,0
PNDB		122,5	123,3	122,4	122,2	121,9	123,1	124,8	126,1	129,9	132,6	134,3	137,0	136,8	134,9				

ORIGINAL PAGE IS OF POOR QUALITY

Model 8

REV. ALPHA 12/73	FREQ.	ANGLES FROM INLET IN DEGREES (AND RADIANS)																PWL	
		30, (0,52)	40, (0,70)	50, (0,87)	60, (1,05)	70, (1,22)	80, (1,40)	90, (1,57)	100, (1,75)	110, (1,92)	120, (2,09)	130, (2,27)	140, (2,44)	150, (2,62)	160, (2,79)	0, (0,0)	0, (0,0)		0, (0,0)
NO EGA	50	84,3	84,1	85,4	84,9	83,0	83,3	85,4	84,8	84,9	94,3	85,8	87,0	85,3	103,2				131,6
RDG. NO.	63	86,3	85,1	85,4	84,7	83,5	83,4	86,3	85,2	85,6	97,1	88,1	90,1	86,5	106,8				134,6
RADIAL 40, FT.	80	87,4	86,1	85,8	85,9	84,0	84,2	85,8	86,1	87,6	98,1	89,7	93,1	90,8	108,1				135,9
(12, M)	100	87,2	86,4	86,4	85,7	83,7	85,4	88,2	88,6	89,2	99,9	92,4	96,3	96,0	110,9				138,5
VEHICLE JENOTS	125	93,7	86,2	86,2	86,2	84,2	87,0	90,4	89,7	91,0	103,7	94,5	98,6	99,0	116,3				143,3
CONFIG JEM053	160	102,2	87,7	87,2	88,2	86,2	88,7	91,9	90,9	93,9	104,9	97,4	100,4	100,1	118,4				145,4
LOC EVENDALE	200	96,3	89,3	87,8	88,3	86,8	89,3	91,8	91,8	93,3	100,8	101,1	104,6	104,2	112,8				141,7
DATE 04-04-75	250	97,5	91,3	90,5	90,0	88,8	90,3	91,3	92,0	99,2	100,8	103,8	107,0	107,7	111,9				142,7
RUN DBTF R=40	315	101,0	92,5	90,8	92,0	91,8	92,5	91,8	94,8	96,5	101,5	106,3	108,7	111,4	112,8				144,6
TAPE X80400	400	92,9	89,2	89,1	90,7	90,7	91,7	94,3	94,8	98,1	102,3	103,8	109,5	113,7	109,9				144,8
BAR 29,9 HG	500	95,3	93,3	93,6	92,5	92,2	93,6	96,5	97,0	99,7	102,9	106,2	112,4	112,6	111,6				145,9
(01039, N/M2)	630	95,1	94,5	94,5	93,5	93,2	94,0	96,9	97,4	101,4	104,2	108,2	111,8	114,9	115,1				147,4
TAMB 59, DEG F	800	95,5	94,2	94,9	94,8	94,5	95,5	97,7	98,9	101,8	106,5	109,0	110,8	111,7	112,2				146,2
(288, DEG K)	1000	96,8	94,4	95,8	94,9	94,8	96,4	98,7	99,6	103,7	107,6	109,2	108,4	111,1	109,2				145,6
TWET 53, DEG F	1250	97,0	95,2	96,1	95,8	95,5	97,0	99,7	100,2	103,7	107,7	109,9	108,8	109,7	107,7				145,5
(285, DEG K)	1600	95,6	96,5	96,2	96,3	96,1	97,3	100,8	100,8	104,6	107,8	108,1	107,5	109,2	107,3				145,1
HACT 8,91 GM/M3	2000	97,4	96,4	95,6	97,8	97,3	99,0	100,4	101,4	105,6	107,7	108,5	109,6	110,7	108,6				146,0
(.00891, KG/M3)	2500	97,9	97,7	97,9	96,6	96,5	98,8	100,1	101,5	106,2	108,0	108,1	110,1	111,8	108,1				146,4
FREQ. SHIFT	3150	98,0	97,8	97,2	97,4	97,0	99,0	100,7	101,8	106,2	108,3	108,9	111,8	113,3	108,6				147,3
JET	4000	97,2	97,0	96,5	96,6	96,9	99,1	101,1	102,2	106,6	108,4	109,3	112,8	112,3	107,0				147,5
DIAMETER RATIO	5000	96,8	96,8	96,7	97,2	96,9	98,4	101,4	102,6	107,4	108,8	110,0	112,9	111,6	105,4				147,7
DF/DM 1.00	6300	96,7	97,5	97,2	97,8	97,6	99,1	101,1	102,8	107,0	108,1	110,8	111,9	110,3	104,0				147,4
	8000	96,5	98,1	97,9	98,1	97,8	99,4	100,8	102,5	106,3	107,5	110,5	109,8	109,2	103,0				146,8
	10000	95,7	96,7	97,7	98,7	98,7	98,8	101,0	102,5	105,9	107,6	109,4	109,5	107,9	102,5				146,6
	12500	93,5	94,6	95,9	97,6	98,0	98,8	101,3	101,9	104,8	106,7	108,6	107,8	106,8	100,4				146,0
	16000	91,6	93,2	94,2	95,8	96,7	97,9	100,6	100,8	104,1	105,2	106,6	106,7	104,9	99,0				145,0
380	20000	89,4	91,2	92,2	94,2	94,7	96,2	99,0	99,3	102,4	103,9	105,4	104,6	102,9	96,7				143,8
	25000	87,8	90,5	91,2	92,3	92,3	93,8	97,0	98,2	100,5	102,0	103,8	102,2	101,5	95,0				142,5
	31500	84,5	87,0	88,1	90,0	89,8	92,1	94,7	96,1	97,8	100,3	102,2	100,0	99,3	93,0				141,0
	40000	82,4	84,8	86,1	87,1	87,2	88,5	91,2	92,3	95,2	96,7	99,4	97,6	96,8	92,1				138,9
	50000	79,8	81,7	82,7	84,8	84,2	85,3	89,0	90,5	93,5	95,6	98,1	96,3	95,7	92,3				138,5
	63000	77,8	79,0	79,7	81,6	81,2	81,9	86,7	88,7	90,9	95,3	97,4	95,8	95,8	94,4				139,6
	80000	76,3	76,2	76,2	77,7	77,5	79,3	86,2	88,1	88,3	96,8	97,6	96,3	96,6	96,0				143,0
OVERALL MEASURED																			
OVERALL CALCULATED		110,6	108,8	109,0	109,4	109,2	110,7	112,9	113,9	117,7	120,3	121,7	123,3	124,2	125,1				159,9
PNDB		122,7	121,6	121,4	121,5	121,2	122,9	125,0	126,0	130,1	132,7	133,7	136,2	136,7	134,7				

REV. ALPHA 12/73. FREQ.	ANGLES FROM INLET IN DEGREES (AND RADIANS)																PWL
	30	40	50	60	70	80	90	100	110	120	130	140	150	160	170	180	
50	82,6	81,3	82,6	81,7	79,7	81,0	84,1	83,0	82,9	90,3	84,3	96,3	82,8	100,0			128,6
NO EGA 63	83,3	81,8	83,2	82,2	81,0	83,2	85,3	84,2	83,6	95,1	86,8	90,1	86,7	103,8			131,1
RDG. NO. 80	84,4	82,6	83,8	83,1	81,8	83,9	85,8	85,1	85,6	95,4	90,5	93,9	90,5	103,1			132,5
RADIAL 40, FT. 100	85,2	84,2	85,4	84,2	82,9	85,2	88,0	88,3	89,0	95,9	93,7	98,0	96,8	107,2			135,9
(12, M) 125	90,0	86,0	86,0	86,0	84,5	87,2	90,9	90,2	91,5	101,2	96,0	100,1	99,0	108,5			139,1
VEHICLE JENOTS 160	97,4	88,4	87,4	88,2	86,7	90,2	93,4	91,7	95,2	102,2	99,2	102,7	102,1	109,4			139,8
CONFIG JE-053 200	94,8	91,0	89,3	89,3	88,3	91,0	92,5	92,3	96,3	101,3	103,6	107,6	107,2	111,3			142,6
LCC EVENDALE 250	94,5	92,8	92,3	92,3	90,8	92,0	93,0	93,3	100,3	102,3	107,7	109,8	111,2	110,4			144,6
DATE 04-04-75 315	98,0	93,5	94,1	94,3	94,0	94,7	94,6	96,8	98,3	103,8	108,8	110,4	113,7	113,8			146,4
RUN DBTF= R=40 400	93,4	91,0	91,3	92,7	92,7	94,0	96,1	96,8	100,1	105,3	107,0	112,0	115,7	112,1			147,1
TAPE X50410 500	96,1	96,1	96,6	94,8	94,7	95,9	98,5	99,5	102,7	105,7	109,7	116,4	117,6	114,8			149,8
BAR 29,9 HG 630	97,1	97,2	97,2	96,0	95,7	95,8	99,4	100,1	103,9	107,5	112,0	116,3	118,9	116,3			150,9
(01039, N/M2) 800	98,0	97,9	97,9	97,8	97,5	98,0	99,9	101,1	104,3	109,3	112,0	115,0	117,2	117,7			150,3
TAMB 39, DEG. F 1000	99,6	97,6	98,5	97,9	97,5	99,4	101,4	102,6	105,9	110,4	112,5	112,9	116,6	115,2			149,7
(288, DEG. K) 1250	99,8	98,2	98,4	98,8	98,0	99,5	102,4	102,7	106,7	110,2	112,9	114,3	115,2	113,7			149,6
TWET 53, DEG. F 1600	99,6	99,3	99,2	99,5	98,9	100,8	102,8	103,3	107,4	110,3	111,9	113,0	114,7	113,3			149,2
(285, DEG. K) 2000	100,9	99,4	98,4	101,0	100,3	101,5	102,9	103,9	107,8	111,0	112,3	115,1	116,2	113,9			150,3
HACT 3,91 GM/M3 2500	100,7	100,2	100,1	99,6	99,7	100,8	103,1	104,5	108,9	110,7	112,6	115,8	116,5	112,4			150,6
(.00891 KG/M3) 3150	101,2	100,1	100,2	99,9	99,8	101,3	103,2	104,3	108,7	111,3	113,6	116,8	115,5	111,1			150,9
FREQ. SHIFT 4000	100,7	101,2	99,7	99,8	99,9	101,8	103,6	104,7	109,1	110,9	114,3	116,1	113,8	109,3			150,6
JET 0 5000	102,3	102,8	101,7	99,9	99,1	100,9	104,1	105,1	109,6	111,3	114,3	114,7	112,1	107,7			150,2
DIAMETER. RATIO 6300	101,2	103,2	103,9	103,5	101,1	101,6	103,3	104,8	108,7	110,8	113,5	113,6	110,8	106,0			149,7
DF/DM 1,00 8000	99,0	100,6	102,1	104,1	104,1	102,7	103,6	104,8	108,1	110,3	112,2	112,5	110,2	105,2			149,2
10000	99,0	99,7	100,7	101,5	102,4	104,3	104,0	105,0	108,1	109,6	111,4	111,0	108,7	104,8			148,8
12500	97,3	99,3	100,7	100,6	101,0	102,0	104,6	104,4	106,6	108,7	110,4	110,1	108,0	102,9			148,1
16000	95,4	97,2	98,0	99,8	100,2	100,5	103,3	103,6	105,3	108,0	108,9	108,7	106,4	101,3			147,3
20000	93,4	95,5	96,4	98,2	98,5	99,2	101,0	101,6	104,7	105,9	107,9	106,9	104,4	99,2			146,2
381 25000	91,8	94,2	95,2	97,1	96,3	97,6	99,5	99,7	102,0	104,3	106,3	104,9	103,5	97,7			144,9
31500	88,7	91,5	93,3	94,0	93,6	95,4	98,0	97,9	99,5	102,3	103,9	102,3	101,1	95,0			143,2
40000	86,9	89,8	90,8	92,4	91,2	92,5	94,2	94,6	97,2	99,2	101,9	99,6	98,6	93,3			141,4
50000	85,0	87,5	88,2	89,3	88,5	89,8	91,8	92,5	95,0	97,6	100,4	99,4	97,2	93,3			140,8
63000	84,8	86,0	86,2	87,6	86,2	87,2	88,9	91,0	92,7	97,6	99,9	97,8	97,0	94,6			141,8
80000	84,8	85,7	84,2	85,7	86,0	86,6	87,7	89,6	90,5	98,5	99,3	98,6	98,4	96,0			144,9
OVERALL MEASURED																	162,7
OVERALL CALCULATED	112,4	112,4	112,6	112,9	112,6	113,6	115,5	116,3	119,9	122,6	125,0	127,0	127,7	125,9			
PNOB	125,2	125,0	125,0	124,9	124,1	125,5	127,4	128,4	132,4	135,1	137,6	139,9	139,9	136,8			

ORIGINAL PAGE IS OF POOR QUALITY

REV. ALPHA 12773	FREQ.	ANGLES FROM INLET IN DEGREES (AND RADIANS)																		PWL
		30.	40.	50.	60.	70.	80.	90.	100.	110.	120.	130.	140.	150.	160.	0.	0.	0.		
NO EGA	50	61.6	62.3	61.9	61.2	61.7	62.1	63.1	63.8	63.9	65.1	66.3	67.5	62.1	73.2				105.7	
RDG. NO. 0	63	63.3	64.8	63.7	63.7	64.0	64.9	65.3	66.4	66.1	67.8	69.6	71.1	68.2	76.6				108.7	
RADIAL 40 FT.	80	64.4	64.9	65.5	65.9	67.0	66.7	67.6	68.3	68.8	70.1	72.2	74.9	71.5	80.1				111.6	
(12. H)	100	66.7	66.7	67.7	67.7	68.4	69.4	71.7	73.1	74.0	74.7	76.9	80.0	78.5	84.4				116.1	
VEHICLE JENOTS	125	68.7	68.6	68.7	69.5	69.2	72.0	74.2	75.0	76.2	78.2	80.2	82.4	82.8	87.8				119.1	
CONFIG JE-053	160	73.2	71.4	71.2	72.2	72.9	75.7	76.9	77.4	79.7	80.9	81.9	84.2	84.6	89.4				121.2	
LOC EVENDALE	200	74.8	75.5	73.5	74.0	74.8	76.3	77.0	79.0	80.0	82.3	83.8	87.1	87.7	91.8				123.3	
DATE 04-04-75	250	76.5	78.3	77.8	78.8	78.8	79.3	78.8	81.3	86.8	85.8	88.8	90.0	92.9	96.4				127.7	
RUN DRIF R=436	315	81.4	79.9	79.4	80.3	81.0	82.0	80.3	84.0	85.9	87.9	89.5	91.4	95.8	100.5				130.3	
TAPE X60420	400	76.7	78.2	76.3	78.2	79.4	80.0	81.1	82.3	84.3	86.1	84.8	91.3	94.2	95.9				127.6	
BAR 29.9 HG	500	78.6	78.8	79.8	78.6	79.7	80.6	82.0	83.7	84.9	85.9	87.7	94.1	96.1	98.3				129.7	
(01039, N/M2)	630	79.3	80.5	81.2	80.5	81.5	81.0	83.9	84.1	85.9	85.7	88.8	93.1	95.4	98.6				129.6	
TAMB 59 DEG F	800	80.0	80.7	81.6	81.8	82.8	82.5	82.7	85.9	86.3	88.8	91.2	93.3	93.7	96.2				129.4	
(288, DEG K)	1000	81.8	80.9	82.5	81.7	83.0	83.7	84.7	85.6	86.9	89.6	90.7	93.4	92.6	92.9				129.0	
TWET 53, DEG F	1250	81.3	80.7	81.4	82.6	83.0	83.5	85.5	86.0	86.0	88.9	91.4	92.3	92.5	90.2				128.5	
(285, DEG K)	1600	80.9	82.0	81.2	81.6	83.4	83.8	84.8	85.6	86.7	88.3	90.9	92.3	89.7	87.3				127.9	
HACT 8.91 GM/M3	2000	81.7	81.9	80.4	82.5	83.3	83.5	83.6	84.9	85.8	87.5	89.5	91.1	88.2	85.9				127.0	
(.00891 KG/M3)	2500	81.2	81.2	81.2	80.6	81.3	82.3	83.4	84.8	85.7	87.0	88.4	89.1	86.1	83.6				126.0	
FREQ. SHIFT	3150	79.8	80.9	80.5	80.9	81.3	82.3	82.0	83.6	84.3	86.1	87.4	88.1	84.8	81.9				125.1	
JET 0	4000	78.7	79.5	79.5	79.9	80.7	81.1	81.2	83.3	83.9	85.5	86.1	85.6	81.4	79.3				124.0	
DIAMETER RATIO	5000	77.6	78.9	78.7	79.0	79.7	80.2	81.4	82.4	83.2	84.6	85.6	84.8	80.1	77.7				123.3	
DF/DM 1.00	6300	76.5	78.1	78.0	78.6	79.6	80.0	79.9	81.6	82.1	83.7	84.4	83.2	79.1	75.8				122.5	
	8000	75.4	76.7	77.0	77.4	78.7	78.8	78.7	80.4	81.2	82.3	82.3	81.2	78.1	74.8				121.4	
	10000	73.9	75.8	75.8	76.9	77.8	77.5	77.6	79.4	80.3	80.8	81.0	79.4	76.3	73.2				120.5	
	12500	72.0	73.3	74.1	74.8	75.7	75.5	76.3	78.4	78.3	79.7	79.8	78.0	75.0	71.6				119.3	
	16000	69.1	70.9	71.2	72.5	73.9	74.2	75.0	76.3	77.1	78.0	77.6	75.9	72.9	69.3				117.9	
	20000	66.6	69.2	69.4	70.2	71.2	71.7	72.8	74.6	75.4	76.2	76.1	73.3	71.1	67.4				116.4	
	25000	65.9	71.9	70.4	70.6	70.3	71.1	72.2	74.7	76.5	78.0	76.7	72.1	70.5	68.2				117.4	
	31500	61.7	66.2	65.8	66.0	66.0	66.8	67.7	69.6	70.5	72.2	72.1	69.0	67.3	63.9				113.0	
	40000	59.0	61.7	62.2	63.0	63.1	63.1	63.8	65.7	67.1	68.2	68.1	65.0	64.7	62.7				110.1	
	50000	55.4	58.1	58.6	59.7	59.8	60.6	60.9	63.6	64.6	68.0	66.5	64.7	63.6	63.7				109.4	
	63000	53.7	56.1	55.8	57.5	57.5	57.0	57.5	60.1	64.6	69.2	65.8	65.5	64.2	65.7				111.0	
	80000	53.9	55.3	54.9	55.9	56.4	57.0	56.3	58.2	64.9	71.4	66.2	67.2	65.7	67.4				115.2	
OVERALL MEASURED																				
OVERALL CALCULATED		92.1	92.5	92.6	92.9	93.8	94.3	95.1	96.5	97.8	99.4	101.0	103.2	104.1	106.6				140.0	
PND8		104.5	105.0	104.8	105.3	106.0	106.7	107.1	108.6	109.6	111.1	112.5	113.8	112.3	113.8					

Model 8

REV. ALPHA 12/73	FREQ.	ANGLES FROM INLET IN DEGREES (AND RADIANS)															PWL		
		30	40	50	60	70	80	90	100	110	120	130	140	150	160	0		0	0
NO EGA.	50	62.1	63.1	62.2	62.9	63.7	64.3	65.1	65.5	66.4	67.3	68.5	70.5	64.1	75.2				107.8
RDG. NO.	63	64.6	65.1	65.4	65.2	65.8	66.7	67.5	68.2	68.4	69.6	70.8	73.6	69.7	78.1				110.4
RADIAL 40. FT.	80	64.6	65.4	66.3	66.6	67.8	67.2	68.3	69.6	70.3	71.6	73.5	76.6	72.8	81.4				112.8
(12. M)	100	66.9	67.7	68.7	68.7	69.2	70.7	72.2	74.6	75.2	75.7	77.2	81.3	79.8	85.9				117.2
VEHICLE JENOTS	125	69.5	69.2	69.5	70.2	70.2	73.2	75.4	76.5	77.0	79.7	81.0	84.4	83.8	89.0				120.3
CONFIG JEM053	160	73.9	72.4	72.4	73.7	73.9	76.7	78.6	78.7	80.9	81.9	83.2	85.7	85.4	90.1				122.3
LOC EVENDALE	200	75.8	77.0	74.8	75.8	75.8	78.3	78.8	79.8	81.3	83.8	84.3	87.2	88.0	93.3				124.5
DATE 04-07-75	250	78.5	79.7	78.5	80.2	79.3	80.0	79.8	82.3	86.8	86.7	88.8	91.2	94.1	97.1				128.5
RUN DBTF R=40	315	80.3	79.3	79.3	80.3	81.0	83.0	80.5	84.3	84.8	87.8	89.3	91.9	94.1	100.5				130.0
TAPE X80430	400	76.4	75.7	76.8	78.9	79.9	80.0	80.8	83.1	84.3	86.3	85.0	92.0	94.3	95.9				127.9
BAR 29.9 HG	500	78.1	79.1	80.3	79.3	80.0	81.6	82.5	84.0	85.2	86.4	87.7	94.6	95.6	97.1				129.4
(01039 N/42)	630	79.1	81.0	82.0	81.0	82.2	82.0	84.1	85.1	85.9	86.5	88.5	93.6	95.2	97.8				129.6
TAMB 59.1 DEG F	800	79.7	81.7	81.9	82.5	82.3	82.5	83.7	86.4	86.5	89.5	91.3	93.8	93.3	96.2				129.6
(288. DEG K)	1000	81.6	81.4	82.8	82.4	83.0	84.0	84.9	86.6	86.9	89.4	90.5	93.9	92.6	92.7				129.1
THET 53.1 DEG F	1250	81.3	81.5	81.9	82.6	82.8	83.2	85.2	86.0	86.2	88.7	91.6	92.8	91.7	89.7				128.5
(285. DEG K)	1600	80.1	82.3	81.5	82.3	82.6	84.3	84.8	86.1	86.2	88.1	90.9	92.5	88.9	86.3				127.9
MACT 8.91 GM/M3	2000	81.5	82.0	80.7	83.0	83.1	84.0	83.7	86.0	85.6	87.3	89.5	91.1	87.2	85.4				127.0
(.00891 KG/M3)	2500	80.7	82.2	81.9	80.9	81.8	82.6	83.1	84.8	85.7	86.8	87.7	89.6	85.3	82.9				126.0
FREQ. SHIFT	3150	79.8	81.1	81.0	81.2	81.1	81.8	82.0	84.1	84.3	86.4	87.4	87.4	84.1	80.9				125.1
JET 0	4000	78.2	80.3	79.6	80.4	80.5	81.1	81.4	83.0	83.9	85.5	85.4	85.4	81.1	78.8				123.9
DIAMETER RATIO	5000	77.6	79.2	79.0	80.0	79.7	80.7	80.9	83.2	83.5	85.1	85.4	84.5	79.9	77.5				123.5
DF/DM 1.00	6300	76.0	78.3	78.5	79.1	79.1	80.2	80.2	81.9	81.8	83.9	83.9	82.4	79.1	75.6				122.5
	8000	74.6	77.4	77.7	78.7	78.9	79.3	79.2	80.9	81.2	82.3	82.6	81.4	78.1	75.6				121.7
	10000	73.5	76.9	76.7	77.5	77.5	78.1	78.5	80.0	80.6	81.6	81.6	80.2	77.4	74.8				121.1
	12500	71.9	76.0	76.1	76.5	77.2	77.4	78.0	79.6	79.0	80.6	80.3	78.7	75.9	73.3				120.5
	16000	70.8	77.6	77.1	76.7	77.1	77.1	76.9	78.2	78.5	79.6	78.8	77.3	74.8	72.9				120.3
	20000	73.2	83.5	83.0	82.8	83.0	84.0	84.6	85.9	86.0	83.2	79.1	77.4	77.2	77.0				126.5
	25000	75.7	87.4	86.4	85.6	86.1	87.3	89.0	90.7	90.7	88.5	82.7	79.4	79.2	79.2				131.2
	31500	66.9	78.0	77.3	77.3	75.1	76.1	75.7	77.1	75.5	76.0	74.9	73.0	72.3	69.7				120.1
	40000	62.9	73.6	73.1	73.4	72.7	73.2	73.4	74.6	73.0	72.5	70.5	67.6	67.8	66.1				117.6
	50000	60.6	72.1	71.6	71.6	70.8	72.3	72.9	75.3	73.6	71.7	70.0	67.2	66.5	65.1				118.0
	63000	56.4	66.1	66.3	66.5	64.1	66.8	66.8	69.6	67.6	69.0	67.5	66.7	64.7	65.0				115.0
	80000	54.3	61.4	61.7	61.9	60.7	65.5	66.1	68.6	66.0	70.2	66.5	67.8	66.0	66.2				117.1
OVERALL MEASURED																			
OVERALL CALCULATED		92.0	94.6	94.4	94.6	94.9	95.8	96.6	98.3	98.8	100.0	101.1	103.7	103.9	106.5				140.9
PND8		104.1	105.5	105.3	105.8	105.9	106.8	107.2	109.1	109.7	111.4	112.5	114.2	112.0	113.7				

ORIGINAL PAGE IS OF POOR QUALITY

Model 8

		30.	40.	50.	60.	70.	80.	90.	100.	110.	120.	130.	140.	150.	160.	0.	0.	0.	PWL
REV. ALPHA 12/73	FREQ.	(0.52)	(0.70)	(0.87)	(1.05)	(1.22)	(1.40)	(1.57)	(1.75)	(1.92)	(2.09)	(2.27)	(2.44)	(2.62)	(2.79)	(0.)	(0.)	(0.)	
ANGLES FROM INLET IN DEGREES (AND RADIANS)																			
	50	64.1	65.3	65.6	68.9	65.2	63.3	64.6	65.0	66.6	66.3	69.0	70.3	64.8	76.5				108.6
NO EGA	63	64.8	66.3	66.4	69.7	66.8	65.9	66.5	67.7	68.6	69.6	72.8	74.1	71.2	79.8				111.5
RDG. NO. 0.	80	66.1	66.4	67.5	70.6	68.0	67.4	68.8	69.6	70.6	72.1	74.7	77.6	74.0	82.6				113.9
RADIAL 40 FT.	100	67.4	67.9	69.4	71.4	70.2	70.4	72.2	74.1	74.7	76.2	78.7	81.8	81.3	87.4				118.2
(12. M)	125	70.7	70.5	70.0	72.0	70.7	72.7	75.4	76.0	77.7	80.0	82.5	85.1	84.5	90.3				121.2
VEHICLE JENOTS	100	74.9	73.9	72.9	74.2	73.9	76.7	78.6	78.7	80.9	81.9	83.9	85.9	86.6	91.4				122.9
CONFIG JE-953	200	75.8	76.5	74.8	75.5	76.0	77.3	77.8	78.8	80.8	83.3	86.1	89.1	90.0	94.0				125.2
LOC EVENDALE	250	78.3	79.9	78.9	79.3	78.8	79.3	80.4	81.3	87.3	87.9	90.8	92.0	95.4	97.9				129.4
DATE 04-04-75	315	82.8	80.5	80.4	80.8	82.4	83.0	82.9	87.4	88.9	92.9	95.9	96.4	99.4	105.9				135.1
RUN DETF-R=436	400	79.2	76.7	77.3	79.2	80.7	80.7	82.8	84.9	88.1	90.6	91.5	98.0	100.2	101.9				133.3
TAPE X80440	500	81.1	80.6	81.1	80.0	80.7	81.9	83.2	85.5	86.9	88.4	90.7	97.4	99.6	101.1				132.6
BAR 29.9 HG	630	81.6	81.5	81.7	80.7	81.5	82.0	84.1	85.4	83.2	89.5	93.0	97.8	100.2	104.3				134.2
(U1639, N/M2)	800	81.2	81.4	81.4	82.0	82.8	83.0	84.7	87.1	88.8	91.8	94.2	96.5	97.0	102.2				132.9
TAMP 59, DEG F	1030	81.8	80.6	82.3	82.2	83.0	83.9	85.7	87.1	89.2	92.1	94.0	96.7	97.1	99.2				132.3
(208, DEG K)	1250	81.4	80.7	81.4	82.3	82.5	84.0	86.2	87.0	88.7	91.7	95.4	96.0	95.7	94.7				131.5
THET 53, DEG F	1600	83.4	81.3	81.2	81.8	82.6	84.3	85.8	87.1	88.7	91.1	93.9	94.5	92.9	91.0				130.1
(205, DEG K)	2000	83.9	80.4	80.4	82.3	83.1	84.0	84.9	85.9	88.1	90.0	93.5	93.4	91.2	89.4				129.3
HACT 8.91 GM/M3	2500	79.5	80.5	80.4	79.9	81.0	82.6	84.1	84.1	87.7	89.7	91.2	91.6	88.8	86.6				127.9
(10891 KG/M3)	3150	74.3	79.6	79.5	80.2	81.1	82.3	82.7	85.4	86.3	89.1	89.9	90.6	87.8	85.1				127.0
FREQ. SHIFT	4000	77.7	78.5	78.5	78.2	80.2	81.4	82.4	84.5	85.6	87.5	88.9	87.6	84.1	82.1				125.6
JET 0	5000	77.4	77.9	77.7	78.0	79.4	80.5	81.2	83.7	85.5	86.9	87.3	85.8	82.4	80.2				124.6
DIAHETER-RATIO	6300	75.9	76.6	76.8	77.9	78.9	80.0	80.4	82.4	83.8	85.7	86.1	83.9	80.6	77.3				123.5
DF/D: 1.00	8000	74.7	75.7	76.0	77.2	78.2	79.0	79.2	81.6	82.7	84.1	84.3	82.2	78.3	76.1				122.4
	10000	73.1	74.8	75.1	76.1	77.3	77.3	78.1	80.7	81.5	82.5	82.8	80.1	76.8	74.4				121.3
	12500	71.2	73.5	73.6	74.3	76.0	76.2	77.5	78.9	79.3	80.9	80.8	78.0	75.7	74.1				120.0
	16000	69.4	71.4	71.9	72.7	74.6	74.7	75.5	75.8	78.1	78.5	78.9	75.9	73.4	71.0				118.5
	20000	67.4	70.2	70.1	70.7	72.0	72.4	73.8	75.1	75.4	76.4	76.6	73.6	71.4	69.7				116.9
384	25000	66.7	73.4	72.2	71.1	71.6	72.1	73.0	75.0	75.5	75.8	75.0	72.9	72.5	71.7				117.2
	31500	65.4	72.5	72.8	71.0	70.5	71.6	72.4	75.4	76.3	79.7	76.1	71.2	71.3	69.9				118.6
	40000	60.8	63.7	67.2	66.5	66.3	65.9	65.8	68.3	69.6	70.7	71.9	59.3	68.7	69.2				113.4
	50000	55.7	61.1	61.9	62.9	64.1	64.4	64.2	65.9	65.6	68.8	72.3	70.7	69.3	71.9				113.3
	63000	54.2	58.1	58.5	60.0	63.5	64.3	63.5	66.3	64.8	70.0	73.8	74.0	71.7	74.5				116.5
	80000	54.2	56.3	55.1	57.6	65.4	65.7	64.8	67.2	65.1	71.6	75.9	76.2	73.9	76.4				121.4
OVERALL MEASURED																			143.3
OVERALL CALCULATED		92.4	92.5	92.6	93.1	93.9	94.8	96.1	98.1	99.9	102.2	104.6	106.8	108.0	111.4				
PNDB		103.9	104.4	104.4	105.1	105.9	107.0	108.0	110.1	111.7	113.9	115.7	116.5	115.8	118.2				

Model 8

REV. ALPHA 12/73	FREQ.	ANGLES FROM INLET IN DEGREES (AND RADIANS)																		RWLI
		30. (0.52)	40. (0.70)	50. (0.87)	60. (1.05)	70. (1.22)	80. (1.40)	90. (1.57)	100. (1.75)	110. (1.92)	120. (2.09)	130. (2.27)	140. (2.44)	150. (2.62)	160. (2.79)	0. (0.0)	0. (0.0)	0. (0.0)		
NO EGA	50	61.6	62.1	62.4	62.4	63.0	63.1	63.9	64.8	65.6	66.6	69.3	70.5	65.6	79.2				108.8	
REQ. NO.	80	64.1	65.1	64.7	65.0	65.8	65.9	66.3	67.4	68.4	70.1	73.1	75.1	71.2	81.3				111.8	
RADIAL 40 FT.	100	67.9	67.7	68.9	69.2	69.2	70.4	72.5	73.6	75.2	76.7	79.7	83.0	81.5	87.9				114.7	
(12. M)	125	71.0	70.2	70.5	70.5	70.5	73.3	75.7	76.5	77.7	80.5	83.0	85.4	84.8	90.5				118.7	
VEHICLE JENOTS	160	76.4	73.7	73.2	73.9	74.4	76.9	76.6	79.2	81.7	82.7	84.9	87.2	86.9	91.1				121.5	
CONFIG JE-053	200	76.5	77.0	74.3	75.0	75.8	77.8	78.0	79.5	81.5	84.8	87.8	91.1	91.0	94.0				123.4	
LOC EVENDALE	250	80.3	79.9	79.9	79.3	79.3	80.0	81.4	83.4	89.4	89.3	93.5	94.3	97.4	98.9				126.2	
DATE 04-04-75	315	83.0	80.5	82.4	81.3	82.0	83.0	82.5	87.0	88.9	92.3	95.8	98.0	100.2	104.8				128.1	
RUN DSTF R=436	400	81.2	79.2	79.8	81.7	82.9	83.0	85.3	87.6	90.6	94.1	95.8	101.3	104.0	103.9				131.2	
TAPE X80450	500	84.6	82.8	82.6	81.3	81.7	83.6	85.0	87.2	88.2	90.4	93.5	101.6	103.3	101.6				134.8	
BAR 29.9 HG	630	84.3	83.2	83.2	82.5	84.0	83.8	85.9	87.9	90.2	91.5	96.2	102.1	104.2	104.6				136.8	
(01039, 1/M2)	600	84.2	83.2	84.4	83.6	84.2	84.8	85.9	89.4	90.0	93.5	96.7	100.0	101.0	104.7				135.8	
TAMB 59, DEG F	1000	84.6	82.1	85.3	83.9	84.5	85.7	87.7	83.9	91.2	94.4	97.2	99.9	99.9	100.4				134.8	
(296, DEG K)	1250	82.8	83.3	83.4	84.2	85.1	85.5	87.5	89.0	90.5	93.7	98.4	99.5	98.3	96.2				134.1	
THET 53, DEG F	1600	81.6	83.3	82.5	83.6	84.6	85.8	87.6	89.3	90.7	92.8	96.9	97.3	95.2	92.8				132.5	
(285, DEG K)	2000	82.4	81.7	81.6	83.8	85.1	85.7	86.6	88.7	90.1	92.5	95.5	95.6	92.5	90.6				131.3	
HACT 8.91 GM/M3	2500	81.0	81.7	81.9	81.6	83.3	84.6	85.6	87.8	89.7	92.2	93.4	94.3	90.8	88.1				130.1	
(.30891 KG/M3)	3150	79.5	80.6	80.5	81.9	82.8	84.3	84.5	87.4	88.0	91.1	92.4	91.8	88.8	86.4				128.8	
FREQ. SHIFT	4000	78.0	79.0	79.5	80.4	81.7	84.4	84.4	86.0	87.6	90.0	90.6	89.4	85.9	83.3				127.4	
JET C	5000	76.4	79.1	79.0	80.0	80.7	82.2	83.2	85.7	87.5	89.4	89.6	88.3	84.1	81.7				126.7	
DIAMETER RATIO	6300	76.3	77.8	78.3	79.4	80.1	81.2	82.2	84.1	86.1	87.9	88.1	85.9	81.8	79.3				125.4	
DF/DM 1.00	8000	74.9	77.0	77.0	78.2	79.2	80.3	81.2	82.9	83.9	86.1	86.1	83.7	79.8	76.6				123.9	
	10000	73.9	75.8	76.1	77.1	78.3	78.8	79.4	81.7	83.5	85.0	84.5	80.9	77.1	74.7				122.9	
	12500	72.5	74.3	74.4	75.6	77.0	77.2	78.8	81.1	81.6	82.7	81.8	79.0	75.5	74.1				121.3	
	16000	69.9	71.9	72.4	73.5	74.9	75.4	77.0	78.3	79.3	80.5	79.9	76.2	72.7	69.8				119.7	
	20000	67.6	69.4	70.1	71.5	72.2	72.7	74.0	76.1	77.4	77.9	77.6	74.1	71.1	69.2				117.8	
	25000	65.5	67.9	68.4	70.1	70.1	70.8	72.0	74.0	75.7	76.0	75.2	72.5	71.5	70.7				116.5	
	31500	62.4	66.0	65.8	67.2	66.8	68.6	69.4	71.9	73.0	74.0	73.1	70.7	69.3	69.2				114.7	
	40000	60.5	64.0	63.7	66.0	64.8	64.9	65.6	67.5	71.4	72.4	71.6	69.5	69.0	70.0				113.5	
	50000	60.4	63.1	61.9	64.2	63.1	63.6	63.9	66.1	71.1	73.3	72.8	72.0	70.8	72.9				115.1	
	63000	62.2	64.1	62.0	65.0	64.0	63.8	63.5	67.1	73.1	75.7	74.5	74.5	73.2	75.5				118.9	
	80000	63.4	64.8	63.1	65.9	65.9	66.0	64.8	63.7	74.6	78.9	76.2	76.7	75.7	77.1				124.1	
OVERALL MEASURED																				
OVERALL CALCULATED		64.2	93.7	94.2	94.4	95.4	96.3	97.6	99.8	101.6	104.1	107.0	110.0	111.0	112.0				145.4	
PNDB		105.3	105.6	105.8	106.5	107.5	108.7	109.5	111.9	113.5	115.9	117.9	119.1	118.6	118.8					

Model 8

ORIGINAL PAGE IS
OF POOR QUALITY

		30.	40.	50.	60.	70.	80.	90.	100.	110.	120.	130.	140.	150.	160.	0.	0.	0.	PWL
	FREQ:	(0.52)	(0.70)	(0.87)	(1.05)	(1.22)	(1.40)	(1.57)	(1.75)	(1.92)	(2.09)	(2.27)	(2.44)	(2.62)	(2.79)	(0.)	(0.)	(0.)	
		ANGLES FROM INLET IN DEGREES (AND RADIANS)																	
REV. ALPHA 12/73	56	63.3	64.3	64.1	66.7	66.2	66.8	66.9	65.8	66.1	67.6	70.3	72.3	66.8	79.0				109.9
NO EGA	63	65.6	67.1	65.9	67.0	67.5	68.4	68.5	63.2	69.1	71.1	74.1	75.9	72.0	81.6				112.7
RDS. NO.	80	66.9	67.4	67.8	69.4	69.5	70.4	70.3	70.6	71.8	73.6	77.0	79.9	75.8	84.6				115.6
RADIAL 40 FT.	100	69.4	69.2	70.7	70.9	71.2	72.4	74.2	74.8	76.5	77.7	80.7	84.5	82.8	89.2				120.0
(12. M)	125	73.2	72.0	72.7	72.7	72.5	75.0	77.9	77.7	79.0	81.2	84.0	87.4	86.0	92.0				123.0
VEHICLE JENOTS	160	77.9	75.2	74.7	75.7	76.4	78.2	80.4	80.2	82.7	83.9	85.7	87.9	87.6	92.4				124.4
CONFIG JE-053	200	73.0	78.0	75.3	76.8	77.3	78.5	79.5	80.5	82.8	85.8	88.3	91.9	92.2	95.3				127.2
LOC EVENDALE	250	81.3	80.5	80.5	81.5	80.0	81.3	81.8	84.5	89.3	89.8	93.8	94.8	96.9	99.9				131.5
DATE 04-04-75	315	63.3	81.9	81.0	81.8	82.8	84.0	83.3	87.8	88.3	92.5	96.8	97.9	101.2	105.5				135.5
RUN DBTF R=430	400	81.9	80.0	80.8	81.9	82.9	83.2	85.8	88.1	90.8	95.1	96.3	102.5	104.5	104.9				137.2
TAPE X80460	500	94.6	83.8	83.3	82.3	83.2	84.1	86.0	88.0	89.4	91.4	94.7	102.4	104.1	103.3				136.4
SAR 29.9 PG	630	85.3	84.5	84.0	82.7	84.7	84.5	87.1	88.6	90.9	92.2	97.2	102.8	104.9	105.8				137.7
(01039, A/M2)	800	85.0	84.7	85.1	84.8	85.8	85.5	87.2	90.1	91.3	94.5	97.5	100.8	101.5	106.2				136.8
TAMD 59 DEG F	1000	85.1	83.9	85.5	84.7	85.3	85.9	88.4	90.1	92.2	95.6	98.0	100.7	101.4	102.7				136.0
(289, DEG K)	1250	84.0	83.2	84.1	84.1	85.0	86.2	88.7	90.0	91.5	95.2	99.1	99.8	99.5	97.5				134.9
TRET 53 DEG F	1500	82.1	83.8	83.2	84.3	85.6	86.5	88.3	90.3	91.4	93.8	97.6	98.0	95.7	93.8				133.3
(285, DEG K)	2000	82.7	82.9	81.9	84.5	85.6	86.7	86.9	89.4	90.8	93.7	96.0	96.4	93.4	91.4				132.0
HACT 8.91 GH/M3	2500	81.4	82.4	82.6	82.1	83.5	85.1	86.3	88.5	90.7	93.0	93.9	94.8	91.0	89.1				130.7
(.00891 KG/M3)	3150	81.0	81.3	81.7	82.7	83.5	84.5	85.7	87.8	88.7	92.3	92.6	92.8	89.5	86.8				129.5
FREQ. SHIFT	4000	78.9	80.5	80.7	81.1	81.9	83.6	84.9	87.0	88.3	90.2	90.6	89.6	86.1	83.8				127.8
JET 0	5000	78.6	79.6	79.2	80.4	81.4	82.4	84.4	86.1	88.2	89.8	89.8	88.2	84.6	81.9				127.1
DIAMETER-RATIO	6300	76.7	78.5	78.5	80.1	81.3	81.7	82.3	84.8	86.2	88.4	87.6	85.9	82.3	79.0				125.6
DF/DM 1.00	8000	75.6	77.1	77.7	78.6	80.4	81.0	81.1	83.8	85.1	86.5	85.8	83.6	80.0	77.0				124.3
	10000	74.3	76.0	76.8	77.8	79.3	79.4	80.0	82.3	83.7	85.0	84.2	81.0	77.7	75.1				123.1
	12500	72.4	75.0	75.6	76.1	78.0	77.7	79.0	80.6	82.0	83.1	82.3	79.2	76.4	74.1				121.8
	16000	70.2	72.7	73.2	74.0	75.9	76.0	77.1	78.8	79.8	81.0	79.4	76.7	73.7	70.8				120.1
	20000	67.5	71.3	71.5	72.3	73.3	73.7	75.1	75.9	78.0	78.5	77.7	73.9	72.0	69.8				118.3
	25000	66.9	71.3	71.6	73.2	72.9	73.7	74.8	76.6	77.1	77.4	75.9	73.5	72.6	72.3				118.9
386	31500	67.8	77.9	75.4	74.4	72.9	73.5	74.1	77.5	78.6	82.1	75.3	72.9	71.9	71.3				120.8
	40000	61.7	68.4	68.9	68.7	68.0	66.8	67.2	69.1	72.0	73.0	72.0	70.2	68.6	70.9				114.8
	50000	63.8	64.0	64.2	66.0	65.2	65.5	65.0	67.0	71.0	74.1	73.1	72.6	69.9	73.5				115.7
	63000	62.3	64.2	63.6	65.8	64.1	64.9	64.4	67.4	73.4	76.5	74.6	74.8	72.0	75.8				119.3
	80000	63.5	64.8	63.4	66.1	65.1	66.0	65.6	68.7	74.4	79.9	76.5	76.7	74.5	77.4				124.4
OVERALL MEASURED																			
OVERALL CALCULATED		94.8	94.9	94.9	95.2	96.2	97.0	98.5	100.6	102.3	105.1	107.7	110.7	111.8	113.3				146.2
PNDB		105.9	106.4	106.5	107.2	108.2	109.2	110.5	112.5	114.3	116.8	118.3	119.7	119.3	120.0				

Model 8

9AC

REV. ALPHA 12/73--FREQ.	30.	40.	50.	60.	70.	80.	90.	100.	110.	120.	130.	140.	150.	160.	PHL	
	(0.52)	(0.70)	(0.87)	(1.05)	(1.22)	(1.40)	(1.57)	(1.75)	(1.92)	(2.09)	(2.27)	(2.44)	(2.62)	(2.79)	(0.)	
	(0.)	(0.)	(0.)	(0.)	(0.)	(0.)	(0.)	(0.)	(0.)	(0.)	(0.)	(0.)	(0.)	(0.)	(0.)	
NO EGA	50	63.6	63.1	64.1	64.2	65.5	66.3	67.6	67.8	68.4	69.1	72.5	73.3	67.6	78.5	110.4
RDG. NO. 0.	80	65.6	66.6	66.2	66.5	67.8	66.7	69.8	69.9	70.1	72.1	75.1	77.1	73.5	82.3	113.6
RACIAL 40, FT. (12. M)	100	67.1	67.4	68.5	68.9	69.5	69.7	71.3	71.9	72.6	74.4	78.2	80.9	76.8	85.6	116.5
VEHICLE JENOTS	125	70.4	70.4	71.9	71.9	71.4	72.7	75.2	76.1	77.7	78.4	81.7	85.3	83.8	89.9	120.9
CONFIG JE-053.	150	74.0	72.7	73.7	73.5	72.7	76.0	78.2	79.0	80.0	82.2	84.5	87.4	87.0	92.3	123.4
LOC EVENDALE	200	79.2	76.4	76.9	76.7	77.4	79.4	81.4	80.9	83.4	84.7	87.2	89.4	89.4	93.9	125.8
DATE 04-04-75	250	78.9	79.0	77.0	77.3	77.5	79.0	80.0	81.5	83.5	85.5	89.8	93.1	93.5	96.3	128.3
REV DBTF R=436	300	82.0	80.8	80.5	80.8	80.8	82.5	81.8	84.0	90.0	95.3	94.8	95.8	99.4	101.6	133.0
TAPE X80470	315	84.3	82.9	81.3	83.4	84.4	84.5	83.5	88.3	88.8	92.8	96.8	99.0	101.7	105.5	135.8
BAR 29.9 HG (01039, N/M2)	400	82.4	80.5	80.8	82.4	83.9	84.2	85.8	83.1	90.3	94.1	95.3	101.5	103.7	103.6	136.3
TA 3 59, DEG F (283, DEG K)	500	85.8	84.3	84.6	83.0	84.0	84.6	86.5	88.5	89.7	91.9	96.0	103.4	105.8	103.3	137.5
THET 53, DEG F (285, DEG K)	600	86.3	85.7	85.7	84.2	84.7	85.0	87.6	89.1	91.4	93.2	98.2	102.8	104.9	104.8	137.6
HACT 8.91 GM/M3 (.00891 KG/M3)	700	86.0	85.2	85.4	85.3	86.5	86.3	87.4	90.4	92.0	95.0	98.0	101.3	102.2	104.7	136.7
FREQ. SHIFT JET 0	800	86.3	84.4	85.0	84.9	86.3	86.9	88.9	90.4	92.4	95.6	98.0	101.2	99.4	100.4	135.5
DIAMETER RATIO DF/DM 1.00	900	84.8	84.5	84.9	85.1	85.8	87.0	88.7	90.7	91.2	95.2	98.6	99.8	98.0	96.0	134.5
	1000	93.1	84.5	84.2	84.8	85.8	87.3	89.8	91.4	94.1	97.9	97.8	94.9	92.0		133.2
	1250	83.9	83.4	83.4	85.5	86.1	87.0	87.1	91.1	93.7	96.5	96.9	93.4	90.4		132.4
	1500	92.2	83.4	83.9	82.8	84.5	85.6	86.8	89.8	90.9	93.0	94.4	95.1	90.5	87.6	130.9
	2000	81.2	82.8	82.7	83.4	84.3	85.3	86.0	88.1	89.5	92.1	92.9	92.6	89.0	85.6	129.7
	2500	79.4	81.5	81.5	82.1	83.7	84.3	85.1	87.0	88.3	90.4	91.3	89.8	86.1	83.5	128.2
	3000	79.6	80.6	80.9	81.7	82.1	83.2	84.9	86.6	88.7	90.1	90.6	88.7	84.3	81.9	127.6
	3500	78.2	79.3	80.7	81.1	82.3	82.9	83.8	85.3	87.0	88.1	88.8	86.6	83.0	79.5	126.3
	4000	77.1	79.4	79.7	80.1	81.6	82.0	82.4	84.3	85.9	87.0	87.0	84.8	81.2	78.2	125.3
	4500	75.5	75.5	78.5	79.6	80.9	80.9	81.3	83.6	84.9	85.7	85.7	82.5	80.0	76.8	124.5
	5000	73.4	77.0	77.3	78.3	79.2	79.7	80.5	82.1	83.0	84.1	83.8	81.2	78.4	75.8	123.3
	5500	71.4	74.5	75.5	76.0	77.7	78.5	78.6	80.1	81.3	82.2	81.6	79.2	76.5	72.8	121.8
	6000	69.0	73.0	73.2	74.3	75.3	75.7	76.6	78.1	79.7	79.7	79.7	76.9	74.7	72.0	120.2
	6500	69.9	73.6	77.1	76.4	75.4	76.2	77.3	79.3	81.8	78.9	77.4	75.8	74.4	73.1	121.6
	7000	68.3	80.4	78.9	77.4	76.7	77.5	78.3	81.7	81.9	79.9	77.3	74.9	73.2	71.6	123.1
	7500	64.7	74.6	73.9	74.4	73.0	71.8	72.5	75.9	77.5	76.5	74.5	71.7	70.9	71.4	119.3
	8000	61.5	66.0	66.0	67.8	66.9	66.7	66.8	69.0	72.2	74.9	73.6	73.3	71.4	73.5	116.7
	8500	62.3	65.7	64.6	66.3	65.4	65.4	65.1	68.7	73.4	76.8	74.6	74.5	73.2	76.1	119.6
	9000	63.7	65.1	63.9	66.9	66.9	66.5	65.8	68.7	75.2	79.4	76.5	77.2	75.7	77.7	124.6
OVERALL MEASURED																
OVERALL CALCULATED		95.9	95.9	96.0	96.1	97.0	97.8	99.0	100.9	102.7	105.2	108.0	111.0	112.0	112.6	146.4
PNSB		106.9	107.6	107.7	108.1	109.0	109.9	110.9	112.8	114.6	116.9	118.9	120.0	119.6	119.2	

Model 8

ORIGINAL PAGE IS OF POOR QUALITY

REV. ALPHA 12/73	FREQ.	ANGLES FROM INLET IN DEGREES (AND RADIANS)																	PWL
		30.	40.	50.	60.	70.	80.	90.	100.	110.	120.	130.	140.	150.	160.	0.	0.	0.	
0.53A	50	64.1	64.3	64.6	65.4	65.0	65.1	66.1	66.3	67.1	72.1	71.5	74.5	72.1	85.2				113.5
RDS. NO. 8	63	64.3	65.6	65.7	67.0	67.3	67.7	68.3	69.2	69.4	73.1	75.1	78.1	74.2	86.8				115.5
RADIAL 4. FT.	100	65.6	67.6	68.3	68.9	68.5	69.4	70.6	71.6	71.8	76.1	78.5	81.4	78.0	88.6				117.9
(12. M)	125	69.9	70.2	71.4	71.4	71.2	72.7	74.7	75.8	77.2	80.2	82.2	86.0	84.8	92.2				122.1
VEHICLE JEFACTS	160	73.2	73.0	73.2	73.5	72.7	76.2	78.2	78.7	79.7	84.2	85.2	88.1	87.5	94.3				124.5
CONFIG JE-053	200	76.7	76.7	75.7	76.4	76.4	79.4	81.1	81.2	83.2	85.9	87.4	89.7	89.9	94.9				126.2
LCC EVENTALE	250	79.0	79.8	76.5	77.8	78.3	80.3	80.5	82.3	83.5	87.8	91.1	94.4	94.2	97.3				129.3
DATE 04-04-75	315	81.5	82.9	80.5	82.4	81.0	82.8	82.8	85.4	90.8	91.3	95.8	96.8	100.4	101.1				133.6
GVN DIST- R=43A	400	84.8	82.3	82.3	84.4	85.4	85.5	84.3	83.3	89.8	94.3	98.3	99.4	102.7	105.3				136.7
TAPE X80480	500	83.9	81.5	82.1	83.7	84.2	84.5	86.8	85.8	91.8	96.3	97.8	104.0	105.5	105.9				138.4
SAR 29.9 HG	630	87.3	86.6	85.8	84.3	84.2	86.1	87.5	89.5	91.2	94.4	98.0	105.6	107.3	103.3				139.1
(110.39, 1/M2)	800	88.1	86.7	86.7	85.7	86.2	86.8	88.6	91.4	92.7	95.5	100.7	106.1	107.4	105.1				140.4
TAXI 59, DEG F	1000	87.2	86.7	87.4	86.3	87.3	87.5	88.4	92.1	93.0	97.0	100.5	103.8	105.0	109.5				139.8
(258, DEG K)	1250	88.3	86.6	87.0	86.7	87.0	87.7	90.4	91.8	93.6	98.1	100.5	103.2	104.4	105.9				138.7
THET 53, DEG F	1500	86.3	86.0	86.4	86.6	87.2	88.5	89.9	91.7	93.2	97.4	101.1	102.5	102.4	101.5				137.4
(285, DEG K)	2000	84.6	83.3	85.2	85.8	86.9	89.0	89.8	91.8	93.1	96.8	99.6	99.5	98.9	97.8				135.5
HACT 8.91 GM/M3	2500	84.4	84.6	83.8	86.5	87.3	88.7	88.8	90.9	93.0	96.2	99.0	98.3	96.4	95.1				134.5
(.00891 KG/M3)	3150	82.9	83.7	84.4	83.8	85.2	87.0	88.1	90.0	91.9	95.7	96.4	97.0	93.5	91.6				132.9
FREQ. SHIFT	4000	81.2	82.5	82.7	83.9	84.7	86.5	86.9	89.5	91.2	94.8	95.3	95.0	91.7	89.3				131.7
JET 0	5000	79.6	81.2	81.4	82.3	83.6	85.3	86.3	88.4	90.5	93.1	93.3	92.0	88.3	85.7				130.0
DIAMETER RATIO	6300	77.5	80.0	80.4	81.1	82.6	84.1	85.8	88.0	89.8	92.8	92.0	90.6	86.3	83.6				129.2
DF/DM 1.00	8000	77.9	79.7	79.9	80.7	81.8	83.6	84.3	85.5	87.9	90.8	90.5	88.0	84.7	81.2				127.7
10000	77.2	73.5	79.0	80.3	81.0	82.6	83.2	85.2	87.0	88.7	87.9	85.5	82.1	79.6				126.2	
12500	75.7	77.4	77.6	78.4	79.9	81.6	83.9	85.5	86.6	86.3	82.9	80.3	79.7					124.9	
15000	74.0	75.8	76.2	77.4	78.5	79.3	81.1	82.7	83.6	85.2	83.4	82.1	80.8	81.9				123.8	
17500	71.2	73.2	74.2	75.0	76.7	77.2	79.1	80.6	81.4	82.8	81.4	79.2	77.2	77.3				121.8	
20000	68.4	71.2	71.4	73.0	73.8	74.7	76.6	78.4	79.0	79.7	79.4	78.4	77.2	78.0				120.1	
25000	66.6	69.8	69.8	71.4	70.9	72.7	75.6	76.9	77.4	75.2	76.6	80.0	79.9	81.1				119.9	
31500	63.6	68.2	69.0	69.2	69.0	70.6	73.4	74.6	74.2	75.4	75.1	78.2	78.0	79.6				118.4	
40000	61.3	65.2	65.2	66.5	65.6	66.4	71.6	72.5	72.3	73.9	72.8	78.0	77.7	80.4				118.0	
50000	61.1	63.6	63.3	65.6	64.3	65.1	71.8	73.5	71.8	75.9	73.7	81.1	79.7	83.1				120.8	
63000	61.8	64.2	63.1	65.6	64.4	65.4	73.6	76.0	73.4	77.8	75.6	83.6	82.5	86.1				123.2	
80000	63.2	64.8	63.6	66.6	65.9	67.0	75.8	77.7	74.9	80.4	77.2	85.0	84.5	87.7				130.2	
OVERALL MEASURED																			
OVERALL CALCULATED		97.0	96.5	96.6	96.9	97.6	98.9	100.0	102.1	104.0	107.5	110.1	113.3	114.3	115.4				148.6
PWDS		107.5	107.9	108.1	108.7	109.5	111.0	111.9	114.1	115.9	119.3	120.9	121.9	121.8	122.7				

Model 8

	ANGLES FROM INLET IN DEGREES (AND RADIANS)																PWL	
	30.	40.	50.	60.	70.	80.	90.	100.	110.	120.	130.	140.	150.	160.	0.	0.		0.
REV. ALPHA 12/73 PREQ.	(0.52)	(0.77)	(0.87)	(1.05)	(1.22)	(1.40)	(1.57)	(1.75)	(1.92)	(2.09)	(2.27)	(2.44)	(2.62)	(2.79)	(0.)	(0.)	(0.)	
NO EGA.	50	68.3	68.1	69.6	69.4	69.0	74.3	67.6	67.3	68.6	70.3	72.3	74.3	68.3	82.2			112.7
REQ. NO. 0.	63	69.3	69.3	71.2	70.2	70.0	70.7	69.0	69.9	70.1	73.3	76.6	77.6	72.7	84.6			115.1
RADIAL 49. FT.	80	69.9	69.9	71.0	71.6	71.0	72.4	71.8	71.8	73.1	75.6	79.2	81.6	77.3	87.1			117.7
(12. H)	100	71.2	70.9	72.9	72.9	72.7	73.7	74.5	75.6	76.7	78.9	82.2	85.8	84.3	91.2			121.5
VEHICLE JENCTS:	125	74.0	72.7	73.2	73.7	73.5	76.5	77.9	78.5	79.7	82.5	85.0	88.1	87.3	93.3			124.0
CONFIG JE-053	160	78.4	76.4	75.7	75.9	76.7	79.4	80.9	80.9	83.4	84.7	86.7	88.7	88.1	93.6			125.3
LOG EVENDALE	200	76.5	72.5	77.5	77.8	78.3	80.3	80.3	81.8	84.3	87.5	91.1	93.9	93.5	96.0			128.7
DATE 04-04-75	250	82.0	81.3	81.5	81.8	81.8	82.3	83.5	84.3	91.5	91.3	95.5	96.8	99.4	100.1			133.1
RUN DBTF--R=436	315	85.3	83.3	83.4	84.3	85.0	85.7	84.5	89.0	91.9	95.5	99.3	101.0	103.8	105.8			137.4
TAPE X80490	400	83.7	81.0	81.8	83.7	84.4	84.5	87.6	89.1	92.6	97.1	98.5	104.3	106.0	105.6			138.7
SAR 29.9 HZ	500	87.3	86.8	85.6	85.0	86.0	86.4	87.7	90.2	91.9	95.2	99.0	105.9	106.6	104.3			139.2
(01039, N/M2)	600	88.1	87.7	87.0	86.2	87.0	87.3	89.9	91.9	93.9	96.5	102.5	107.6	108.9	107.3			141.5
TAMB 59, DEG F	800	88.0	87.2	88.4	87.8	88.3	88.3	89.4	92.4	93.8	97.5	101.7	105.5	105.0	110.5			140.8
(288, DEG K)	1000	88.1	85.9	88.3	87.9	88.3	89.9	91.2	93.1	95.4	99.1	103.0	106.4	106.9	106.4			140.7
THET 53, DEG F	1250	88.5	86.7	87.6	87.8	88.5	89.7	91.7	93.0	95.0	98.4	102.4	104.0	104.5	103.0			138.9
(285, DEG K)	1600	85.9	86.8	86.5	87.0	88.6	89.3	91.6	93.5	95.1	97.8	101.4	101.8	101.4	100.0			137.4
HACT 8.91 GW/M3	2000	85.7	85.7	85.1	87.2	88.6	89.7	90.1	92.7	94.8	97.2	100.0	100.4	98.4	97.1			136.0
(.00891 KG/M3)	2500	84.2	84.9	85.1	85.3	86.7	88.3	89.8	92.3	94.7	96.7	97.9	98.3	96.3	93.9			134.5
FREQ. SHIFT	3150	82.5	83.6	84.5	85.4	86.3	87.8	88.7	91.1	93.0	96.3	96.6	96.3	94.3	92.1			133.3
JET 0	4000	80.9	82.7	83.7	84.1	85.7	87.1	88.1	90.5	92.6	94.7	94.8	93.6	91.1	89.0			131.8
DIAETER RATIO	5000	80.3	81.4	81.9	82.7	84.1	85.7	87.6	90.1	91.9	94.3	93.6	92.0	88.3	85.9			130.9
DF/DM 1.00	6300	79.9	80.8	81.2	82.6	83.8	84.9	86.3	88.8	91.0	92.1	91.8	89.6	85.5	83.0			129.5
	8000	77.3	78.6	79.9	81.4	82.9	84.0	85.1	87.6	89.1	90.5	89.5	87.3	84.2	80.5			128.0
	10000	76.5	78.5	79.3	80.3	82.0	82.7	84.0	86.1	88.2	88.7	87.4	84.3	81.5	77.6			126.8
	12500	75.4	77.0	77.6	79.1	80.5	80.7	82.2	84.8	86.0	86.4	85.5	81.7	78.4	75.6			125.1
	16000	72.7	74.5	75.2	76.5	75.7	79.0	80.3	82.8	84.1	84.7	82.9	79.2	75.5	71.3			123.5
	20000	72.5	72.5	73.2	74.5	75.5	76.5	77.8	79.9	81.5	81.5	80.4	75.9	73.0	70.0			121.2
	25000	68.1	70.6	71.3	72.7	73.2	73.9	75.3	77.3	79.1	78.9	77.6	74.3	72.1	71.1			119.3
	31500	65.1	67.4	68.4	69.4	69.7	71.2	72.8	75.0	75.9	76.4	75.3	71.9	70.9	70.1			117.2
	40000	62.7	65.4	65.9	67.7	67.5	68.5	70.9	73.0	72.8	72.7	70.9	69.4	70.9				115.1
	50000	61.8	64.2	64.0	66.0	65.4	65.7	65.8	63.5	72.2	72.1	73.6	73.3	71.4	73.3			115.9
	63000	62.3	64.2	63.4	66.6	65.4	65.1	64.4	68.2	73.1	73.5	75.1	75.5	73.5	75.8			119.0
	80000	63.5	64.6	63.9	67.1	66.4	65.2	65.1	68.7	74.7	75.7	77.0	77.5	75.5	77.4			123.7
OVERALL MEASURED																		
OVERALL CALCULATED		97.6	97.2	97.6	97.9	98.9	99.9	101.3	103.5	105.7	108.5	111.5	114.6	115.3	115.7			149.6
PWBS		108.5	108.8	109.3	109.9	110.9	112.2	113.4	115.7	117.9	120.5	122.1	123.3	123.2	123.5			

Model 8

ORIGINAL PAGE IS
OF POOR QUALITY

REV. ALPHA 12/73	FREQ.	30	40	50	60	70	80	90	100	110	120	130	140	150	160	170	180	190	200	PWL		
		(0.52)	(0.70)	(0.87)	(1.05)	(1.22)	(1.40)	(1.57)	(1.75)	(1.92)	(2.09)	(2.27)	(2.44)	(2.62)	(2.79)	(2.97)	(3.14)	(3.31)	(3.49)	(3.66)		
		(0.32)	(0.40)	(0.47)	(0.55)	(0.62)	(0.70)	(0.77)	(0.85)	(0.92)	(1.00)	(1.07)	(1.15)	(1.22)	(1.30)	(1.37)	(1.45)	(1.52)	(1.60)	(1.67)		
NO SGA	50	63.8	63.8	63.9	68.2	66.7	66.6	68.1	66.8	67.9	69.3	73.8	75.5	72.1	91.0						117.9	
RDS. NO. 6	63	69.6	69.6	70.2	69.7	68.8	63.7	69.8	70.4	70.1	73.3	77.3	78.9	76.5	91.3							118.9
RADIAL 4. FT.	80	70.6	70.6	71.3	71.4	70.5	71.2	73.1	72.3	73.6	75.9	80.0	82.6	79.0	92.4							120.6
(12. M)	100	72.4	71.9	73.4	73.9	72.7	74.2	76.2	76.8	77.7	80.2	83.4	87.3	85.8	95.7							124.3
VEHICLE JETS	125	74.7	74.2	74.5	75.0	74.5	77.2	79.4	79.7	80.7	84.0	86.7	89.6	89.0	97.6							126.8
COVIG JETS	150	79.7	78.2	77.4	76.9	77.7	80.9	82.6	81.9	84.4	86.4	88.9	91.7	91.1	98.4							128.4
LOC SVC DALS	200	80.5	81.0	79.0	79.0	79.5	82.5	81.3	83.3	85.3	89.0	92.8	95.9	96.2	100.0							131.2
DATE 04-11-75	250	82.5	82.8	82.5	83.0	82.8	84.3	84.0	85.8	91.3	92.8	97.9	98.3	101.4	102.9							135.0
RU DATE R=136	315	86.3	84.3	84.3	86.0	87.4	87.5	86.9	89.8	92.9	96.8	100.3	100.9	103.7	106.8							138.7
TAPE X8500	400	84.9	83.8	82.8	84.4	85.2	86.5	88.6	89.8	93.1	97.8	99.3	105.3	106.0	106.9							139.4
944 29.9 HG	500	90.6	89.3	88.6	86.8	87.2	88.6	89.2	92.0	92.9	96.7	100.0	107.9	108.8	105.8							141.1
(71039. 1/2)	630	93.8	89.5	89.0	88.2	88.5	89.0	91.1	92.4	95.4	98.7	104.0	109.3	109.9	111.6							143.5
TA 59, DEG F	800	90.0	89.4	89.1	89.5	89.5	90.0	90.9	93.9	95.3	99.5	102.7	106.8	107.0	111.7							142.2
(243, DEG K)	1000	90.1	89.4	89.8	89.4	89.5	91.7	92.7	94.3	96.1	100.8	104.0	106.9	108.4	112.4							142.4
TWET 53, DEG F	1250	89.0	87.0	88.9	89.1	89.7	91.0	92.2	94.2	95.9	100.2	104.4	105.5	100.4	105.5							140.7
(285, DEG K)	1500	86.8	83.3	88.2	88.0	89.4	91.0	92.1	94.0	95.9	99.3	102.4	103.0	102.9	102.3							138.6
HACT 8.91 GM/H3	2000	86.7	86.4	86.1	88.5	89.5	90.9	91.3	93.4	95.3	98.9	101.5	101.1	99.7	99.1							137.2
(.10391 KG/H3)	2500	84.7	83.7	86.4	85.8	87.0	89.5	90.6	92.3	94.9	98.2	98.9	99.5	97.5	95.6							135.5
FR 3. SHIFT	3150	83.5	84.8	84.9	85.6	86.7	88.5	89.2	91.5	93.4	97.3	97.3	97.3	95.7	94.0							134.2
JET 0	4000	81.9	82.9	83.4	84.5	85.4	87.8	88.8	90.4	93.3	95.6	95.8	95.0	91.3	90.0							132.6
DIAMETER RATIO	5000	80.5	81.5	81.9	83.4	84.8	86.6	88.1	90.0	92.1	94.6	94.7	92.9	88.5	86.9							131.5
DF/DY 1.00	6300	79.0	81.7	81.9	82.7	84.0	86.1	86.8	89.2	90.9	93.0	92.5	90.3	85.9	84.7							130.0
10000	80.0	78.5	80.7	80.3	81.3	83.0	84.6	85.2	87.7	88.8	91.4	90.7	88.0	84.1	82.6							128.5
12500	75.4	78.6	79.4	80.2	81.6	83.0	84.1	86.4	87.3	89.1	88.3	89.1	88.3	85.4	82.3	81.7						127.0
15000	74.8	77.1	77.9	78.9	80.5	81.0	83.3	84.4	85.6	87.5	86.1	83.6	81.5	82.7								125.7
20000	72.7	75.2	75.7	77.0	78.2	79.7	81.1	82.8	83.6	85.3	83.7	81.2	78.2	78.6								124.0
25000	69.9	73.0	73.2	74.7	75.3	77.0	79.1	79.9	81.0	82.2	82.4	79.9	77.4	78.5								122.1
30000	67.6	71.6	71.6	72.9	73.2	74.2	77.3	78.1	78.9	79.9	81.9	80.5	80.4	81.1								121.6
35000	65.1	70.7	70.0	70.7	71.0	72.6	75.4	76.3	76.0	77.7	80.8	73.9	78.2	79.1								120.3
40000	62.2	67.7	67.2	68.3	67.8	68.6	72.4	73.2	73.3	75.1	80.6	78.0	77.9	80.7								119.8
50000	61.4	65.8	64.8	66.6	65.5	66.1	73.1	73.8	72.5	77.2	82.7	81.6	80.2	83.3								122.7
63000	62.5	65.0	63.4	66.6	65.9	64.9	73.9	75.0	73.2	78.6	84.9	83.6	82.8	85.6								126.6
80000	63.2	65.1	63.6	67.1	66.9	66.2	75.8	77.7	74.9	81.9	86.7	86.2	85.2	87.7								131.8
OVERALL MEASURED																						
OVERALL CALCULATED		99.2	93.9	98.9	99.0	99.8	101.2	102.3	104.2	106.3	109.9	112.8	115.9	116.6	118.3							151.1
PNDS		109.5	110.0	110.2	110.6	111.5	113.2	114.2	116.2	118.3	121.7	123.4	124.5	124.3	125.7							

Model 8

MODEL SOUND PRESSURE LEVELS (59, DEG. F, 70 PERCENT REL. HUM., DAY - JENOTS)

	30.	40.	50.	60.	70.	80.	90.	100.	110.	120.	130.	140.	150.	160.	0.	0.	0.	PWL
	(3.52)	(4.76)	(6.07)	(7.45)	(8.88)	(10.35)	(11.85)	(13.38)	(14.94)	(16.55)	(18.20)	(19.89)	(21.61)	(23.36)	(0.)	(0.)	(0.)	
	ANGLES FROM INLET IN DEGREES (AND RADIANS)																	
REV. ALPHA 12/73 FREQ:	50	65.6	67.3	67.4	67.2	67.7	68.6	69.4	67.5	68.4	70.3	74.3	76.5	72.1	90.2			117.4
NO. EGA	83	68.8	69.6	69.2	70.0	70.5	71.2	71.3	70.9	71.9	75.1	78.6	80.6	77.0	90.6			118.9
RDG. NO.	80	70.1	71.1	71.3	71.9	72.3	72.4	73.8	74.6	77.6	81.2	83.9	80.3	92.1				121.0
RADIAL 40, FT:	140	72.9	73.2	74.4	74.4	74.4	75.4	77.5	78.6	79.5	81.7	85.4	88.8	87.3	95.9			125.2
(12, M)	125	76.2	75.7	76.0	76.0	75.7	79.0	80.9	81.5	82.7	85.2	88.0	91.1	90.3	97.5			127.4
VEHICLE JENOTS:	160	81.7	79.2	78.4	79.2	79.4	81.9	83.1	83.4	85.9	87.7	89.7	92.7	91.9	97.9			128.8
CO. FIG JE-053	250	81.0	82.0	79.5	81.0	81.0	83.3	83.5	84.5	86.0	90.0	93.6	97.1	96.7	100.0			131.9
LOG EVEL. DALE	250	84.3	84.8	83.9	84.0	83.8	85.0	85.0	87.4	92.3	93.5	98.3	100.5	102.4	103.4			135.0
DATE 04-04-75	315	87.0	85.3	85.3	86.3	88.4	89.1	86.5	91.0	91.8	97.5	100.8	101.9	105.2	108.3			139.1
RUN BETF R=436	400	84.9	83.0	83.8	85.7	86.4	87.5	89.6	91.1	93.8	98.6	99.8	105.5	107.5	106.6			140.1
TAPE X00510	500	89.1	88.6	88.6	87.0	87.5	89.1	90.2	92.5	93.9	98.2	101.2	108.6	109.3	105.6			141.7
BAR 29.9 HG	650	91.1	90.0	89.5	89.0	89.5	90.5	91.6	93.9	96.4	99.5	104.7	110.1	110.9	109.1			143.7
(01039, M/M2)	800	90.7	89.7	90.9	89.8	90.5	91.0	91.7	95.4	96.3	101.0	104.5	107.3	107.7	112.5			143.0
TA 59, DEG F	1000	91.8	89.1	90.0	90.2	90.8	91.9	93.4	95.3	97.6	102.6	105.2	107.2	107.9	108.4			142.4
(283, DEG K)	1250	89.8	89.5	89.6	90.1	90.7	92.0	93.7	95.0	97.4	101.2	105.1	106.3	106.2	104.7			141.2
THET 53, DEG F	1600	87.6	88.8	88.2	89.3	90.4	92.0	93.3	95.5	96.6	100.0	103.4	103.2	102.4	101.0			139.0
(235, DEG K)	2000	87.7	87.9	87.1	89.5	90.3	92.2	92.3	94.9	96.5	99.7	102.2	102.3	100.2	98.6			138.0
WACT 5.91 GM/M3	2500	86.2	85.9	87.4	87.1	88.2	90.0	91.1	94.3	96.1	99.4	100.1	100.3	97.3	95.1			136.5
(.00891 KG/M3)	3150	84.7	86.0	86.4	87.4	88.0	90.0	90.2	93.0	94.4	98.0	98.8	98.5	95.5	93.5			135.2
FREQ. SHIFT	4000	82.9	84.4	84.7	85.8	87.6	89.3	89.6	92.4	94.3	96.9	96.8	95.5	92.0	90.0			133.7
JET	5000	82.0	84.0	83.9	84.9	86.1	87.9	89.3	91.5	93.8	96.0	95.7	93.9	90.3	87.1			132.8
DIAMETER RATIO	6300	81.1	83.4	83.6	85.5	86.0	87.6	88.0	90.5	92.2	94.3	94.0	92.0	89.2	85.4			131.5
DF/DN 1.00	8000	80.0	82.3	83.0	84.0	85.0	86.3	87.0	89.4	90.5	92.2	92.2	89.2	87.1	83.6			130.0
	10000	75.7	81.6	81.9	83.2	83.9	85.3	85.6	87.9	89.3	91.1	90.0	87.6	85.3	82.9			129.0
	12500	76.8	79.6	80.2	81.9	83.0	83.5	84.8	86.4	87.1	89.0	88.9	86.1	84.3	83.4			127.7
	16000	74.7	78.0	78.5	79.3	80.9	82.0	83.1	84.8	85.4	86.8	86.4	83.7	82.0	79.6			126.1
	20000	71.9	75.7	76.7	77.5	78.8	79.5	80.8	82.9	83.7	84.2	84.6	81.6	80.4	79.0			124.5
	25000	70.6	76.3	75.8	76.9	77.7	78.7	79.8	80.6	81.1	82.4	83.4	81.5	81.6	81.3			123.9
391	31500	71.4	80.4	80.0	81.2	81.5	84.1	83.6	84.3	82.0	80.7	82.3	79.7	80.0	79.6			126.3
	40000	76.3	87.2	85.7	86.0	87.3	87.9	86.6	88.7	87.6	81.1	82.6	79.7	80.2	81.4			131.1
	50000	63.4	69.1	69.1	70.4	71.8	73.1	75.1	77.0	75.8	78.7	82.7	81.6	80.7	83.1			123.6
	63000	62.5	67.5	66.6	68.6	68.2	68.4	74.9	76.5	74.2	79.8	84.4	83.6	82.8	85.3			126.7
	80000	63.7	70.8	70.1	70.6	70.4	71.2	76.6	78.7	75.4	81.7	86.5	86.2	85.0	87.4			131.8
OVERALL MEASURED																		
OVERALL CALCULATED	99.9	99.9	99.9	100.3	101.2	102.6	103.4	105.7	107.5	111.1	113.8	116.6	117.2	117.7				151.7
PNDB	110.6	111.1	111.3	112.0	112.8	114.5	115.1	117.7	119.5	122.8	124.4	125.3	125.1	125.6				

Model 8

ORIGINAL PAGE IS OF POOR QUALITY

SPL INPUT AT STD REV. ALPHA 12/73	ANGLES FROM INLET IN DEGREES (AND RADIANS)																PWL	
	30.	40.	50.	60.	70.	80.	90.	100.	110.	120.	130.	140.	150.	160.	0.	0.		0.
FREQ.	(0.52)	(0.70)	(0.87)	(1.05)	(1.22)	(1.40)	(1.57)	(1.75)	(1.92)	(2.09)	(2.27)	(2.44)	(2.62)	(2.79)	(0.)	(0.)	(0.)	
NO EGA	50	81.8	83.1	83.1	85.9	85.5	84.3	84.9	85.8	84.6	93.3	90.5	90.8	85.1	101.7			131.1
RDG. NO. 0.	63	82.3	83.1	83.4	86.0	85.3	85.1	85.8	86.4	85.9	95.8	93.1	93.6	89.7	104.1			133.2
RADIAL 40. FT. (12. M)	80	84.1	85.1	85.0	86.9	86.0	86.2	87.6	87.6	87.3	96.1	95.0	96.4	93.0	105.1			134.5
VEHICLE JENOTS	100	86.6	86.4	87.6	88.4	86.9	87.6	90.4	91.8	91.7	99.1	96.1	101.0	99.8	108.7			138.1
CONFIG JE-070	125	89.9	88.9	88.9	89.9	88.4	90.7	93.4	93.7	94.2	102.4	99.2	103.1	102.3	110.3			140.2
LOC EVENDALE	160	95.1	92.1	91.1	92.1	90.4	93.1	95.6	94.9	97.6	106.1	102.1	106.6	106.3	111.6			143.0
DATE 04-04-75	200	94.8	94.0	91.8	92.3	91.8	94.3	95.8	95.3	98.0	105.8	107.1	112.2	111.2	114.6			146.4
RUN DBTFMODEL 8P	250	96.7	95.5	94.7	95.2	94.2	95.0	96.0	97.2	103.0	106.3	109.8	113.0	114.2	113.1			147.5
TAPE X80520	315	97.8	95.8	95.3	96.8	97.1	96.9	96.5	99.0	101.6	107.5	112.3	113.9	117.5	115.8			149.7
BAR 29.6 HG	400	95.9	93.7	94.3	95.9	95.9	96.9	99.3	100.1	102.8	108.8	110.0	115.0	118.2	112.8			149.7
(99921, N/M2)	500	100.1	99.6	99.8	98.0	97.4	99.1	101.4	102.7	105.4	110.4	115.4	121.6	121.8	118.1			154.4
TAMB 44. DEG F	630	101.8	101.9	100.7	99.4	99.2	99.3	102.3	103.4	106.9	111.7	116.9	121.3	123.1	119.3			155.2
(280, DEG K)	800	103.5	101.9	101.9	101.8	101.0	101.3	103.4	105.6	108.8	114.0	117.5	122.5	123.2	121.0			156.1
THEY 36. DEG F	1000	105.3	102.1	102.8	102.2	100.8	102.7	105.2	106.1	109.4	114.8	117.7	119.7	121.4	118.9			154.7
(275, DEG K)	1250	105.0	103.2	103.1	103.1	102.3	103.7	105.7	106.2	109.7	114.4	118.1	122.3	121.4	117.2			155.5
HACT 0. GH/M3	1600	103.9	104.0	103.0	102.8	102.4	104.8	106.3	106.8	110.6	114.6	116.9	121.3	120.4	116.0			154.7
(. KG/M3)	2000	104.7	103.4	102.1	104.3	103.1	104.7	105.9	106.9	111.1	114.2	117.3	121.8	120.2	114.6			154.9
FREQ. SHIFT	2500	103.9	103.9	103.6	102.8	102.0	104.1	105.8	107.5	111.4	114.7	117.6	121.3	118.5	112.9			154.5
JET 0	3150	104.8	105.6	103.7	103.2	102.5	103.8	105.7	107.6	111.3	114.6	118.4	120.6	117.5	111.1			154.2
DIAMETER RATIO	4000	101.7	103.2	103.0	103.6	102.7	103.8	105.9	107.2	111.6	114.4	117.8	117.8	114.6	109.0			153.0
DF/DM 1.00	5000	100.3	101.6	101.9	103.2	103.1	104.1	106.6	108.1	111.6	114.8	117.5	117.4	113.6	107.9			152.9
	6300	99.7	101.5	101.2	102.5	102.8	104.6	106.1	107.6	111.0	114.1	115.8	116.1	113.3	106.5			152.0
	8000	99.0	101.1	101.1	102.8	102.8	104.9	106.3	107.8	110.1	113.5	115.0	115.0	111.9	106.2			151.5
	10000	98.5	100.9	100.7	103.5	102.9	104.1	105.7	107.5	110.1	112.6	113.9	113.7	110.9	105.0			151.0
	12500	97.3	99.8	100.2	102.1	102.3	103.8	105.8	106.4	108.8	111.7	112.6	112.3	109.8	104.6			150.2
	16000	95.4	98.2	99.0	100.8	101.9	102.7	104.8	105.3	107.9	110.8	111.4	110.9	108.7	102.1			149.5
392	20000	93.4	97.2	97.4	99.7	99.5	101.2	103.5	103.6	106.4	108.7	109.8	109.3	106.1	100.2			148.3
	25000	91.8	96.0	96.2	98.6	98.1	98.8	101.5	102.0	104.5	106.8	108.3	106.9	105.8	98.7			147.0
	31500	89.5	93.3	93.8	96.5	95.3	97.4	99.4	100.1	101.8	104.8	106.7	104.8	103.8	95.7			145.6
	40000	87.4	91.3	92.1	94.9	93.2	93.7	96.2	97.3	99.4	102.0	104.7	101.4	101.1	93.3			143.8
	50000	85.5	88.7	91.0	93.8	90.9	91.5	93.8	95.2	97.0	100.6	103.1	101.3	99.9	92.5			143.4
	63000	84.6	86.5	89.2	93.9	90.7	88.7	91.4	92.7	95.4	100.8	102.2	100.9	99.8	93.4			144.5
	80000	85.1	84.7	86.5	94.0	91.5	87.3	89.7	90.9	92.5	101.8	100.6	100.3	99.8	95.0			147.1
OVERALL MEASURED																		
OVERALL CALCULATED		114.9	114.9	114.5	115.2	114.7	116.1	118.0	119.2	122.5	126.3	129.1	132.1	131.7	128.4			166.5
PND8		127.7	128.1	127.1	127.4	126.7	128.1	130.0	131.4	135.0	138.6	141.7	144.2	142.4	138.2			

Model 8

REV. ALPHA 12/73 - FREQ.	ANGLES FROM INLET IN DEGREES (AND RADIANS)															PHL		
	30.	40.	50.	60.	70.	80.	90.	100.	110.	120.	130.	140.	150.	160.	0.		0.	0.
NO EGA	50	79.3	77.8	79.9	76.2	75.7	78.6	79.9	73.3	80.1	82.1	83.0	83.3	78.3	98.7			126.2
RDS. NO.	80	79.6	76.9	82.3	78.9	78.0	81.2	81.3	80.6	82.1	86.9	87.0	89.4	86.3	101.9			129.6
RADIAL 40 FT	100	81.4	79.7	84.7	80.4	79.7	81.7	83.5	83.6	86.5	89.2	89.9	94.3	92.8	104.2			132.3
(12 M)	125	83.7	81.7	85.7	82.0	80.2	84.7	86.9	86.0	88.5	93.7	93.0	96.1	95.0	107.0			135.1
VEHICLE JENOTS	160	88.2	88.9	87.4	84.9	84.7	87.2	89.1	87.3	92.2	96.4	95.9	99.4	98.9	109.9			138.0
CONFIG JE-053	200	88.5	88.3	86.8	85.5	84.5	87.8	88.5	88.5	92.0	97.3	100.6	103.6	103.5	110.3			139.8
LCC EVENDALE	250	91.3	89.5	88.5	89.2	87.0	89.0	90.2	90.3	97.0	98.8	103.5	106.2	107.7	107.9			141.1
DATE 04-04-75	315	93.2	89.8	90.2	90.3	90.3	90.7	90.5	94.2	95.8	101.5	105.8	107.8	110.2	111.8			143.6
RUN SETF R=436	400	93.2	89.5	88.3	89.7	89.2	90.2	93.6	93.8	97.3	102.6	104.3	109.5	112.0	109.9			144.0
TAPE XB0530	500	94.6	93.3	94.1	92.0	92.0	93.1	94.7	96.5	99.2	103.7	108.7	115.4	115.6	112.1			148.2
BAR 29.9 HG	630	95.1	94.7	95.0	94.0	93.2	93.8	96.6	96.6	100.7	105.0	111.5	115.6	116.7	113.8			149.2
(01039, M/M2)	800	97.0	95.9	96.4	96.0	95.0	95.3	97.7	98.9	101.5	106.8	112.2	115.8	116.0	115.7			149.7
FANS 59 DEG F	1000	93.8	93.9	96.8	95.7	95.5	96.4	96.9	99.4	102.4	107.9	112.0	113.9	116.1	113.2			148.9
(288, DEG K)	1250	93.5	95.7	96.7	96.1	96.0	97.0	99.0	100.0	102.5	107.9	112.4	115.0	115.2	111.5			149.0
THET 53, DEG F	1600	96.4	96.3	96.0	95.6	95.4	97.1	99.1	100.1	102.7	106.8	110.7	111.3	112.4	109.8			146.7
(255, DEG K)	2000	96.4	94.7	94.1	96.3	95.3	97.0	97.6	97.7	102.1	106.0	109.0	110.9	111.5	108.6			145.8
HACT 8.91 GM/M3	2500	94.7	94.2	94.9	93.9	93.8	95.6	97.4	98.3	101.9	105.7	107.4	108.6	109.3	106.6			144.3
(.00891 KG/M3)	3150	93.3	93.4	94.0	93.7	93.8	95.6	96.7	98.1	101.3	105.3	106.4	107.1	107.8	105.3			143.3
FREQ. SHIFT	4000	91.2	92.2	92.8	92.6	92.9	94.9	96.4	97.7	103.8	104.4	104.3	104.6	105.6	102.8			141.6
JET 0	5000	90.4	91.1	91.7	92.7	92.4	94.4	95.9	97.6	100.9	103.9	104.3	103.5	104.9	102.0			141.3
DIAMETER RATIO	6300	89.2	90.8	91.5	92.6	92.4	94.4	95.4	97.1	100.5	102.4	103.3	102.7	104.1	101.3			140.6
DF/DM 1.00	5000	86.6	89.9	91.2	92.1	92.6	93.5	94.6	96.3	99.1	101.5	101.8	101.8	103.3	101.0			139.9
10000	88.0	89.7	90.5	91.3	92.0	92.4	93.8	95.1	99.2	101.2	101.2	100.0	102.0	99.8			139.5	
12500	86.5	88.5	89.6	90.3	91.2	92.2	93.5	95.1	97.6	99.7	100.1	99.0	100.7	98.4			138.6	
15000	84.9	86.4	87.9	88.5	89.9	91.7	92.5	93.5	96.3	98.2	98.1	97.1	98.9	96.2			137.4	
20000	82.8	84.9	85.6	86.9	87.6	88.6	90.7	91.7	95.1	95.8	96.8	95.3	96.6	93.9			136.0	
25000	81.4	82.3	84.1	85.2	85.2	86.7	88.6	89.6	92.6	93.9	94.4	92.8	94.4	93.1			134.4	
30000	77.6	80.4	80.9	82.1	82.5	84.5	86.1	87.5	89.9	91.9	92.5	90.9	92.2	88.8			132.6	
40000	75.2	78.7	80.2	81.0	80.8	81.1	82.8	84.0	87.1	88.6	88.8	87.0	88.9	86.9			130.2	
50000	74.2	79.9	81.4	82.5	80.6	81.9	82.4	83.9	85.6	87.3	87.8	86.3	87.6	86.7			130.6	
63000	75.0	81.5	82.8	84.1	82.9	83.6	84.1	85.9	86.6	87.8	87.3	86.8	87.0	87.3			133.3	
80000	73.8	75.7	74.7	77.2	76.7	77.1	76.9	79.1	85.7	90.0	87.3	88.6	86.8	88.5			135.4	
OVERALL MEASURED																		
OVERALL CALCULATED		107.2	106.1	106.6	106.5	106.2	107.5	109.2	110.5	113.5	117.5	120.9	123.7	124.7	123.1			158.5
PNCB		118.6	118.0	118.6	118.4	118.3	119.9	121.3	122.6	125.7	129.6	131.6	133.4	134.2	132.6			

Model 8

ORIGINAL PAGE IS OF POOR QUALITY

		ANGLES FROM INLET IN DEGREES (AND RADIANS)															PWL	
		30.	40.	50.	60.	70.	80.	90.	100.	110.	120.	130.	140.	150.	160.	0.		0.
REV.	FREQ.	(0.52)	(0.70)	(0.87)	(1.05)	(1.22)	(1.40)	(1.57)	(1.75)	(1.92)	(2.09)	(2.27)	(2.44)	(2.62)	(2.79)	(0.)	(0.)	(0.)
ALPHA 12/73	50	75.6	72.3	77.9	74.4	72.7	75.8	75.6	76.3	79.6	82.8	81.8	84.0	82.1	97.2			
NO EGA	63	75.8	73.6	79.2	74.7	74.8	76.4	76.5	77.4	80.4	87.6	82.8	86.9	64.2	97.6			
RDS. NO. G.	80	76.1	74.9	80.8	76.4	75.0	76.9	78.1	78.1	80.8	87.4	85.5	88.9	66.0	97.9			
RADIAL 40 FT.	100	79.2	75.4	82.9	78.2	76.7	79.2	81.5	81.1	84.5	88.9	87.9	92.5	91.3	100.9			
(12. M)	125	85.7	79.5	82.5	79.2	77.2	81.5	83.7	83.0	85.5	92.5	90.2	93.9	93.6	102.3			
VEHICLE JENOTS	160	97.7	91.9	84.9	81.9	81.2	84.2	86.1	83.2	89.7	93.4	93.2	96.9	96.6	103.6			
CONFIG JE-53	200	91.3	86.3	85.3	83.6	82.3	84.5	85.8	85.8	89.3	94.8	98.6	101.1	101.2	107.5			
LCC EYE PALE	250	93.3	86.6	87.7	85.8	84.8	86.8	87.0	83.2	95.2	97.7	101.5	103.3	105.2	105.9			
DATE 04-04-75	315	93.2	87.8	87.3	88.0	87.8	89.0	88.3	91.3	93.8	100.7	103.5	104.6	108.6	110.8			
RUN SHIF- R=436	400	83.9	85.7	86.1	87.7	87.2	88.7	91.1	91.3	95.1	100.1	102.3	107.8	109.7	107.6			
TARE XR543	500	93.3	91.8	91.3	90.0	89.5	90.9	93.0	94.2	96.9	101.4	106.2	113.4	114.8	116.3			
SAF 29.9 Hz	630	94.1	93.0	92.5	91.7	91.0	91.8	94.1	95.1	98.9	102.7	109.2	114.1	113.9	111.8			
(1039, 1/12)	800	95.7	93.2	94.1	93.3	93.0	93.3	94.7	97.1	99.5	104.5	109.7	113.8	114.2	115.0			
TAF 59, DEG F	1000	97.8	94.6	95.0	93.9	93.0	94.7	96.7	97.4	100.7	105.9	110.7	111.9	113.1	112.4			
(285, DEG K)	1250	97.3	94.5	95.2	94.6	94.0	95.2	97.0	98.0	100.7	105.7	111.6	114.5	113.5	111.2			
TAF 53, DEG F	1600	94.5	93.5	94.2	94.1	93.4	95.3	96.8	97.6	100.9	105.3	109.7	111.0	111.2	109.5			
(285, DEG K)	2000	94.4	92.4	91.9	93.5	93.1	94.7	95.4	97.2	100.1	104.5	108.0	110.4	110.5	107.1			
HACT 8.91 GM/MS	2500	92.0	91.5	91.7	91.1	91.0	92.8	95.1	96.6	100.2	104.0	105.4	108.1	107.3	104.1			
(.0891 KG/MS)	3150	90.0	90.1	90.2	90.7	90.6	92.3	94.0	95.3	99.3	102.8	104.1	105.6	105.0	101.3			
FREQ. SHIFT	4000	88.0	87.5	88.5	88.9	89.4	91.6	93.4	94.7	98.3	101.7	102.6	103.1	101.8	93.3			
JET 0	5000	86.6	85.9	87.2	86.2	86.6	90.9	92.6	94.4	98.2	101.1	101.3	100.7	99.1	95.5			
DIAMETER RATIO	6300	85.7	86.3	86.5	88.1	87.9	90.2	91.4	93.3	96.8	99.4	99.3	99.2	97.3	93.1			
CF/DK 1.00	8000	84.3	84.6	86.2	87.1	87.4	89.7	90.4	92.3	95.6	97.8	97.8	96.8	95.3	91.5			
	10000	80.0	84.0	85.2	86.3	86.2	88.2	89.5	91.1	94.2	96.4	95.9	94.3	92.5	89.3			
	12500	81.0	82.8	83.4	84.8	84.7	86.7	88.5	89.6	92.1	94.4	93.6	91.8	89.2	88.9			
	16000	78.9	80.9	81.9	82.7	83.6	84.7	87.3	88.0	90.3	91.7	91.3	89.4	87.1	88.2			
	20000	76.6	78.9	79.3	80.9	80.6	82.6	84.2	85.5	88.3	89.6	88.8	87.8	86.1	88.1			
	25000	74.4	76.8	77.8	79.2	78.4	79.7	81.8	82.9	85.4	86.4	86.1	88.0	86.6	89.6			
	31500	72.3	75.4	75.4	76.9	76.2	78.0	79.8	81.5	81.9	84.6	84.0	88.1	86.4	89.1			
	40000	70.5	74.4	73.7	75.0	73.8	74.4	76.3	77.5	79.1	81.6	82.1	88.0	86.2	90.9			
	50000	70.7	73.9	72.7	74.5	72.4	73.7	73.7	75.6	75.9	83.0	83.0	90.8	88.8	93.0			
	63000	72.0	73.7	72.4	74.3	73.6	73.6	74.1	75.9	74.9	85.5	84.6	93.3	91.5	95.3			
	80000	73.3	74.4	73.0	75.2	75.2	76.1	75.1	77.6	74.7	88.7	86.3	95.3	94.1	97.0			
OVERALL MEASURED																		
OVERALL CALCULATED		106.2	103.5	103.9	103.7	103.3	104.8	106.4	107.7	111.0	115.2	119.1	122.2	122.6	121.6			156.6
PNDP		116.7	115.0	115.5	115.4	115.2	117.0	118.6	119.9	123.5	127.4	129.7	132.0	132.0	130.3			

394

Model 8

SPL INPUT AT STD REV. ALPHA 12/73	FREQ.	ANGLES FROM INLET IN DEGREES (AND RADIAN)																		PWL
		30. (0.52)	40. (0.70)	50. (0.87)	60. (1.05)	70. (1.22)	80. (1.40)	90. (1.57)	100. (1.75)	110. (1.92)	120. (2.09)	130. (2.27)	140. (2.44)	150. (2.62)	160. (2.79)	0.	0.	0.		
NO EGA	50	82.3	82.1	82.4	81.9	82.0	81.8	82.9	84.5	84.9	90.6	87.0	90.8	84.3	101.7				130.1	
RDG. NO. 0.	80	83.6	83.8	83.9	83.7	82.8	83.1	84.8	85.4	85.1	92.3	89.6	93.4	89.0	102.8				131.6	
RADIAL 40, FT. (12, M)	100	85.6	86.1	85.8	84.9	85.3	84.7	86.3	87.6	87.6	94.4	93.0	97.1	93.3	105.6				134.5	
VEHICLE JENOTS	125	87.6	87.1	87.6	87.1	86.4	87.1	89.9	91.3	92.2	98.4	96.9	101.8	100.0	109.2				138.4	
CONFIG JE-070	160	91.4	89.7	88.9	89.2	87.9	90.2	93.1	93.2	94.7	101.7	99.7	104.1	103.0	111.0				140.7	
LOC EVENDALE	200	98.4	92.1	91.4	91.9	90.4	93.1	95.6	95.1	98.1	102.9	102.6	107.4	106.6	111.6				142.8	
DATE 04-04-75	250	97.5	95.0	91.8	92.8	92.8	93.8	95.5	95.5	99.3	104.8	107.6	111.6	111.5	114.8				146.3	
RUN DBTFMODEL 8P	315	98.3	96.3	94.5	96.2	94.8	95.0	96.3	96.3	99.3	103.3	106.3	110.5	114.0	115.2				148.4	
TAPE X80550	400	100.1	96.3	96.0	98.1	98.1	97.7	97.3	99.8	101.5	107.5	112.5	114.4	117.4	117.5				150.2	
BAR 29.6 HG (99921, N/M2)	500	96.4	93.9	94.3	96.1	96.9	97.2	99.8	100.3	103.3	108.8	111.3	116.3	118.9	114.8				150.7	
TAMB 44, DEG F (280, DEG K)	630	100.6	100.3	100.1	98.5	98.4	99.1	101.7	103.4	106.2	110.7	115.7	122.1	121.8	119.1				154.8	
THET 36, DEG F (275, DEG K)	800	101.8	101.4	101.4	100.2	99.7	100.0	102.8	103.6	107.9	111.9	118.2	122.6	123.6	120.1				156.1	
HACT 0, GM/M3 (, KG/M3)	1000	103.0	102.7	102.6	102.0	101.3	101.8	103.9	105.9	109.0	114.5	119.2	123.5	123.5	121.7				156.9	
FREQ. SHIFT	1250	105.3	102.6	103.8	102.7	102.0	103.4	105.4	106.1	109.9	115.1	119.7	121.7	122.1	119.7				155.3	
JET 0	1600	105.8	104.0	103.9	103.6	102.5	104.0	106.4	107.0	110.2	115.2	120.4	124.3	122.2	117.5				155.5	
DIAMETER RATIO DF/DH 1.00	2000	104.4	104.5	103.7	103.8	103.1	104.8	106.8	107.0	111.1	114.8	118.6	122.3	120.7	115.8				155.3	
	2500	104.4	104.2	102.9	104.5	103.6	104.9	106.4	107.7	110.8	114.2	118.5	122.3	120.2	115.4				154.6	
	3150	104.7	104.7	103.9	103.3	102.5	104.3	106.1	108.0	111.7	114.2	117.9	121.6	118.3	112.6				154.3	
	4000	104.3	104.6	103.0	103.9	103.5	104.5	106.2	107.8	111.3	114.3	117.9	121.1	117.3	111.3				153.0	
	5000	101.2	101.5	102.3	102.8	102.2	104.3	106.4	107.7	111.3	113.9	117.6	118.6	114.3	109.3				152.7	
	6300	100.3	101.6	101.4	102.2	101.4	103.9	106.6	108.1	111.9	114.1	117.3	117.7	113.6	107.9				152.0	
	8000	99.7	100.7	100.9	102.3	102.8	104.1	105.8	108.1	111.2	113.3	116.0	116.9	112.5	106.5				151.5	
	10000	98.5	100.6	100.6	102.1	102.1	104.4	105.8	107.8	109.8	113.0	114.7	116.0	111.7	106.4				150.8	
	12500	98.5	99.7	100.9	102.2	102.4	105.6	105.4	107.3	109.8	112.1	113.6	114.5	110.4	105.0				150.3	
	16000	97.0	99.1	100.2	101.6	102.0	103.3	105.6	106.2	108.6	111.2	112.8	113.3	109.3	103.9				149.2	
	20000	95.2	98.0	98.5	99.8	100.9	102.2	104.6	105.1	107.4	109.3	111.4	111.5	107.9	102.3				148.2	
	25000	93.4	96.2	97.2	99.0	99.2	100.4	102.8	103.6	106.4	107.9	110.1	110.1	105.9	99.7				146.6	
	31500	91.8	95.0	95.5	97.8	97.6	99.1	100.7	102.0	103.8	106.0	107.8	107.7	104.5	98.2				145.6	
	40000	89.2	92.3	92.8	95.5	94.8	96.6	98.7	100.1	101.3	104.3	107.4	105.8	103.1	95.5				143.6	
	50000	87.4	90.3	90.8	94.1	92.7	93.5	95.7	96.8	98.9	101.8	104.4	102.9	100.6	94.1				143.3	
	63000	85.8	88.0	89.2	93.8	90.7	91.0	93.3	95.2	96.5	100.4	103.6	101.3	99.4	92.8				144.3	
	80000	85.1	86.0	86.9	94.1	89.9	88.2	90.9	92.7	94.4	100.8	102.2	101.1	98.3	93.9				147.3	
OVERALL MEASURED																				
OVERALL CALCULATED		115.2	114.8	114.6	115.2	114.8	116.1	118.1	119.4	122.6	126.1	129.9	133.1	132.0	129.0				167.0	
PND8		127.8	127.7	126.9	127.5	127.1	128.4	130.3	131.6	135.0	138.3	141.9	144.9	142.4	138.7					

ORIGINAL PAGE IS OF POOR QUALITY

REV. ALPHA 12/73	FREQ.	ANGLES FROM INLET IN DEGREES (AND RADIANS)																P.L.	
		30.	40.	50.	60.	70.	80.	90.	100.	110.	120.	130.	140.	150.	160.	0.	0.		0.
NO EGA.	50	75.1	76.1	80.4	81.9	79.7	79.6	80.1	80.5	82.9	92.8	67.0	87.8	83.1	101.5				129.8
REG. NO. 0.	63	77.1	77.1	81.9	81.5	81.5	80.4	81.8	81.7	84.1	98.3	89.3	90.4	86.5	103.3				132.7
CAPIAL 4. FT.	80	70.1	79.6	83.3	82.4	81.5	82.2	83.6	83.1	84.8	96.1	91.0	93.0	89.5	104.4				133.0
(1. H)	100	82.2	81.7	86.4	83.7	82.4	83.7	86.5	86.6	89.0	100.7	93.9	97.0	96.3	107.9				135.8
VELOCITY JETS	125	85.0	84.0	88.2	85.2	83.7	86.7	89.4	89.7	90.7	106.7	96.2	99.1	98.3	108.8				139.9
CO.FIG JE-053	160	93.9	85.9	91.7	88.2	86.9	89.4	91.6	90.9	94.7	104.7	98.9	102.7	102.6	110.4				140.6
LCC EYE TALE	200	91.8	90.3	90.3	88.8	87.5	90.3	91.3	91.3	95.3	102.3	103.6	107.1	107.2	112.8				142.9
LATE JET-75	250	93.7	91.3	91.7	90.8	89.8	91.3	92.3	91.2	99.8	102.5	106.5	109.0	110.9	112.3				144.5
RU D4TF- R=434	315	94.3	92.7	92.2	93.0	92.3	93.9	92.8	95.0	98.3	104.8	109.7	109.9	113.7	115.3				146.8
TAPE X82560	400	92.7	90.0	90.8	91.9	91.9	93.0	95.8	96.3	99.3	105.3	106.8	111.5	114.5	111.6				146.4
BAR 20.9 HG	500	97.3	95.0	96.3	94.8	94.0	95.6	98.0	99.2	101.7	107.2	112.2	118.9	119.6	116.1				151.9
(11039. 1, N2)	630	96.6	97.7	97.7	96.0	95.7	96.0	99.1	99.1	103.7	108.2	114.2	118.1	119.2	116.1				151.8
TARD 59. DEG F	800	101.5	98.9	99.4	98.3	97.8	97.6	99.7	99.7	101.4	104.8	113.3	116.0	120.0	118.0				153.2
(268. DEG K)	1000	102.3	98.9	100.0	98.4	97.8	99.7	101.7	102.4	105.4	111.6	116.2	117.4	117.6	116.9				152.1
TYFT 53. DEG F	1250	102.5	100.2	100.2	99.1	99.0	100.2	102.2	103.0	105.5	111.4	117.1	120.0	118.2	115.2				153.1
(295. DEG K)	1600	101.1	99.5	99.7	99.1	98.6	100.6	101.8	102.8	106.2	118.6	115.2	117.3	116.9	113.6				151.3
HACT 8.91 3M/H3	2000	101.7	99.2	99.4	99.8	98.6	100.7	101.4	102.7	106.1	110.0	113.8	116.6	117.0	113.1				150.8
(.00891 K3/H3)	2500	99.5	98.5	98.9	97.4	97.8	98.0	100.9	102.8	105.7	109.7	111.7	115.3	114.6	111.9				149.3
FREQ. SHIFT	3150	98.3	98.4	97.7	97.4	97.1	98.1	100.2	101.3	105.3	108.8	110.9	114.1	113.5	110.8				148.4
JST 0	4000	95.7	96.0	96.0	95.9	96.2	98.1	100.2	101.0	104.8	107.9	109.3	111.8	111.3	108.8				146.9
DIAMETER RATIO	5000	95.6	95.1	95.2	95.7	94.9	97.7	99.9	101.4	105.2	107.9	108.8	111.2	110.4	108.0				146.4
EF/DM 1.00	6300	94.5	94.5	94.7	95.3	95.4	97.7	98.9	100.6	103.8	106.6	107.6	110.7	109.6	106.8				145.7
	8000	93.8	93.4	94.7	95.1	95.6	97.0	98.6	100.3	102.9	106.0	107.0	109.3	108.8	106.3				145.1
	10000	93.0	92.5	93.7	94.8	95.2	96.4	98.3	99.8	102.7	104.7	106.4	107.8	108.0	105.6				144.5
	12500	90.7	91.0	92.4	93.3	93.7	95.5	97.5	98.1	101.1	103.9	105.1	106.5	107.2	103.6				143.6
	16000	89.1	89.9	90.2	91.0	92.6	93.9	96.3	97.3	99.5	102.4	103.8	104.9	105.6	101.7				142.6
	20000	87.1	87.6	88.3	90.1	90.1	91.6	94.4	95.5	98.6	100.6	102.0	103.3	103.3	99.9				141.2
	25000	84.9	86.1	86.8	88.2	87.7	89.5	92.3	93.6	96.4	98.9	99.4	101.5	101.9	98.1				139.8
	31500	82.3	83.4	83.9	84.9	85.2	87.6	90.3	91.3	93.4	96.4	98.5	99.6	99.2	95.3				138.3
	40000	79.7	80.7	81.4	82.5	82.3	83.9	87.1	88.0	90.8	94.1	95.3	96.7	96.9	94.4				136.4
	50000	77.0	78.9	79.7	81.0	79.6	80.9	84.9	86.4	88.4	93.3	95.3	95.8	97.1	95.0				136.8
	63000	75.5	77.7	78.1	79.6	78.4	79.1	84.4	86.9	87.4	94.8	95.8	96.8	96.7	96.6				139.2
	80000	74.3	75.7	75.5	77.5	77.0	77.6	85.9	87.6	86.5	97.5	97.1	97.8	97.3	98.0				143.6
OVERALL MEASURED																			
OVERALL CALCULATED		111.1	109.6	109.9	109.4	109.2	110.7	112.5	113.6	116.9	121.5	125.1	128.2	126.3	126.5				162.5
PRES		122.9	122.0	122.1	121.7	121.4	122.8	124.6	126.0	129.3	133.6	135.9	139.1	138.9	137.0				

396

Model 8

MODEL SOUND PRESSURE LEVELS (59 DEG F, 70 PERCENT REL. HUM. DAY - JENOTS)
 ANGLES FROM INLET IN DEGREES (AND RADIANS)

REV. ALPHA-12/73-FREQ	30.	40.	50.	60.	70.	80.	90.	100.	110.	120.	130.	140.	150.	160.	0.	0.	0.	PWL
	(3.52)	(3.77)	(4.07)	(4.36)	(4.71)	(5.00)	(5.35)	(5.75)	(6.10)	(6.49)	(6.92)	(7.40)	(7.92)	(8.49)	(9.11)	(9.78)	(10.50)	
NO. 56A	83	75.1	73.3	83.7	30.0	81.2	82.0	80.9	82.9	90.6	86.1	88.4	85.2	93.6				126.7
RDS. NO. 0.	81	76.4	77.5	85.5	81.9	80.5	82.2	83.6	82.1	83.1	92.6	87.7	90.6	87.8	100.4			129.8
RADIAL 437 FT.	100	79.4	78.9	87.2	82.2	80.7	83.4	85.5	84.3	85.5	92.7	90.4	94.5	93.8	103.2			132.3
(12. H)	125	82.0	81.2	87.2	83.7	81.7	85.5	88.2	86.7	88.7	100.7	93.0	96.9	96.0	104.5			135.4
VEHICLE JENOTS	160	87.7	84.4	87.4	85.9	84.2	88.2	89.9	83.4	91.7	101.2	95.9	99.2	99.6	106.6			137.2
CONFIG JE-053	200	83.8	87.0	88.3	86.8	85.3	88.2	89.3	84.3	91.8	98.5	100.1	103.9	103.5	110.5			140.0
LOC EVELDALE	250	89.9	88.9	89.5	88.0	86.8	88.8	90.2	90.0	95.3	99.3	103.8	106.2	107.7	108.9			141.4
DATE 04-04-75	315	92.0	87.3	89.3	90.0	89.8	91.0	90.3	93.3	95.8	102.3	106.3	107.4	113.7				144.3
RUN DIST R=436	400	90.4	87.7	88.3	89.4	89.4	91.0	93.3	94.1	97.3	102.8	105.0	110.5	112.0	109.9			144.5
TAPE X90570	500	94.6	93.8	94.1	92.0	91.5	92.6	95.2	96.2	98.9	104.2	109.5	115.9	116.3	112.6			148.8
BAR 29.9 HG	530	95.8	95.2	95.2	94.0	93.7	93.8	96.1	97.4	101.2	105.7	112.2	116.8	116.7	113.6			149.8
(31032, N/M2)	800	98.2	98.9	96.9	95.0	95.5	95.5	96.9	98.9	102.0	107.5	113.7	117.0	116.2	116.5			150.6
TAMB 59 DEG F	1000	100.6	95.6	97.3	98.2	95.3	96.9	98.9	99.9	103.2	108.9	114.5	116.4	115.4	114.2			150.2
(288, DEG K)	1250	100.8	98.2	98.4	97.3	97.3	98.2	99.5	100.5	103.2	109.4	116.1	119.0	116.2	113.5			151.8
TWET 53 DEG F	1600	98.9	97.8	97.7	96.8	96.6	98.6	100.1	100.6	103.7	108.6	114.2	115.8	115.4	112.3			149.9
(285, DEG K)	2000	98.9	96.7	95.6	97.5	96.6	98.0	98.6	99.9	103.6	107.7	112.5	115.6	114.7	110.6			149.1
HACT 8.91 GR/M3	2500	96.5	95.5	95.9	94.4	94.3	96.3	98.1	100.1	103.4	107.2	110.2	113.8	111.6	108.1			147.2
(00891 KG/M3)	3150	94.5	94.6	94.0	93.9	93.3	95.6	96.7	98.8	102.0	106.8	109.4	111.8	109.8	105.1			145.8
FREQ. SHIFT	4000	91.7	92.8	92.8	92.6	92.2	94.9	96.4	97.7	102.1	105.7	107.1	109.1	106.1	102.1			143.7
JET 0	5000	90.4	90.9	91.0	91.7	91.4	93.9	96.4	98.1	101.7	105.1	106.1	108.0	104.1	99.0			142.7
DIAMETER RATIO	6300	89.2	89.5	90.2	91.3	91.1	93.4	94.9	96.6	100.3	103.1	104.8	106.2	102.6	96.6			141.3
DF/DM 1.00	8000	87.3	83.1	89.7	90.1	90.6	92.5	94.4	95.8	99.1	101.5	102.3	103.8	100.3	95.0			139.7
	10000	85.3	87.5	88.2	89.0	89.5	91.2	93.0	94.6	98.4	100.7	100.7	101.8	98.2	92.6			138.6
	12500	83.2	85.8	86.9	87.6	88.7	89.5	92.5	93.4	96.3	96.4	98.8	100.0	95.5	91.4			137.0
	16000	82.1	83.9	84.9	85.5	86.4	87.9	90.3	91.3	94.5	96.2	96.6	97.6	93.1	90.0			135.3
	20000	79.5	81.6	82.6	83.6	84.9	85.3	87.9	89.0	92.3	93.8	94.0	93.8	90.8	89.1			133.2
397	25000	77.4	81.3	81.1	81.9	81.4	83.2	85.1	86.4	89.9	90.9	90.9	93.0	89.4	90.1			131.5
	31500	75.6	83.4	82.2	82.1	82.5	85.8	86.8	87.0	90.2	88.4	88.5	91.1	88.7	89.3			131.4
	40000	74.5	80.2	78.9	79.5	79.6	80.9	82.3	83.5	86.6	85.4	85.8	89.5	87.7	91.2			129.8
	50000	72.7	74.4	73.9	75.7	74.1	74.9	76.4	77.9	82.6	85.5	85.3	92.3	90.1	93.2			131.0
	63000	74.0	74.5	73.6	75.6	74.4	74.4	75.1	77.4	83.6	87.8	85.8	94.5	92.5	95.8			135.0
	80000	75.3	74.9	73.0	76.2	75.5	76.1	76.4	78.3	84.7	90.7	87.1	96.8	95.1	97.0			140.0
OVERALL MEASURED																		
OVERALL CALCULATED	108.4	106.8	107.1	106.6	106.2	107.7	109.4	110.6	114.0	118.6	123.2	126.3	125.4	123.8				160.0
PND8	119.3	116.7	119.2	118.8	118.2	120.0	121.6	123.1	125.9	131.0	134.0	137.0	135.7	133.2				

Model 8

ORIGINAL PAGE IS
 OF POOR QUALITY

MODEL SOUND PRESSURE LEVELS (59, DEG, F, 70 PERCENT REL. HUM, DAY - JENOTS)

REV. ALPHA 12773	FREQ.	ANGLES FROM INLET IN DEGREES (AND RADIANS)																		PWL
		30, (0,52)	40, (0,70)	50, (0,87)	60, (1,05)	70, (1,22)	80, (1,40)	90, (1,57)	100, (1,75)	110, (1,92)	120, (2,09)	130, (2,27)	140, (2,44)	150, (2,62)	160, (2,79)	0, (0,)	0, (0,)	0, (0,)		
NO EGA	50	77,3	78,5	78,9	77,9	77,0	78,3	80,6	83,3	82,6	96,3	86,3	98,0	83,8	101,9				131,0	
RDG. NO. 0	63	80,3	80,8	82,2	81,5	81,0	81,2	83,5	85,4	84,1	97,6	90,3	93,9	89,7	103,3				132,9	
RADIAL 40, FT.	80	82,9	84,1	84,5	83,6	82,5	83,9	86,1	87,1	86,6	97,9	93,5	97,6	93,3	105,9				135,1	
(12, 4)	100	87,2	86,7	88,2	86,9	85,2	86,9	90,0	91,6	92,0	101,2	96,7	101,8	99,8	109,2				138,7	
VEHICLE JENOTS	125	90,2	89,7	89,0	89,5	87,5	90,2	93,7	94,5	94,5	104,0	99,7	104,1	103,0	111,5				141,3	
CONFIG JE-053	160	95,4	92,2	92,7	93,2	91,2	93,7	96,4	96,7	98,7	106,2	102,9	107,7	107,6	112,6				143,8	
LOC EVENDALE	200	95,8	94,3	92,0	92,8	91,5	94,0	96,8	96,5	98,8	105,8	107,3	111,6	112,8	116,8				147,2	
DATE 04-J4-75	250	96,7	95,7	95,6	95,7	93,7	95,0	95,7	96,7	104,1	106,7	110,7	114,2	115,6	115,1				148,8	
RUN DBTF R=40	315	99,1	96,5	96,3	98,1	98,1	97,7	96,8	100,0	101,8	108,5	113,3	114,4	117,7	118,5				150,7	
TAPE X80580	400	96,2	94,5	94,6	96,4	96,4	97,2	99,8	100,6	103,3	109,8	111,3	116,5	118,7	114,6				150,7	
BAR 29,9 HG	500	100,3	100,1	99,8	99,0	98,0	99,4	101,7	103,5	105,7	111,4	116,5	122,6	122,8	119,8				155,5	
(01039, N/42)	630	102,6	103,0	102,0	100,2	99,5	100,0	103,1	103,4	107,9	112,7	119,5	123,3	123,4	119,6				156,5	
TAMB 59, DEG F	800	103,7	102,9	103,6	102,8	101,5	101,8	104,4	106,4	109,3	115,0	121,0	124,5	123,5	121,7				157,6	
(288, DEG K)	1000	106,1	103,4	103,5	103,2	102,3	103,2	105,7	106,9	110,7	115,9	121,5	122,4	122,1	119,4				156,7	
TWET 53, DEG F	1250	106,4	105,2	105,3	104,5	103,7	104,4	106,4	107,1	110,7	115,3	123,3	125,4	121,2	117,2				158,0	
(285, DEG K)	1600	108,1	108,0	106,5	105,3	104,1	105,5	107,1	108,0	111,1	115,3	121,4	123,3	120,7	115,5				158,6	
HACT 8.91 GM/M3	2000	110,4	109,4	108,1	109,3	107,1	106,2	107,1	107,7	111,1	114,5	120,0	123,4	120,2	115,4				156,4	
(,00891 KG/M3)	2500	108,4	108,2	108,4	108,8	107,5	106,8	107,1	108,0	111,4	114,0	119,4	122,3	117,5	113,1				155,4	
FREQ. SHIFT	3150	106,5	106,6	107,0	107,2	107,0	108,0	108,0	107,8	111,2	114,3	118,6	120,8	116,5	112,1				154,6	
JET 0	4000	103,2	104,2	104,7	105,6	104,7	106,6	107,9	108,2	111,1	112,9	117,6	118,8	114,3	110,0				153,2	
DIAMETER RATIO	5000	102,1	103,1	103,7	104,4	103,6	105,4	107,1	108,8	112,4	113,3	117,0	118,2	113,3	108,9				152,9	
DF/DM 1.00	6300	100,6	102,2	102,9	103,7	103,2	104,4	106,5	107,7	111,4	112,1	116,2	116,8	111,7	107,2				152,0	
	8000	99,8	101,1	101,6	103,1	102,8	104,7	106,1	107,5	110,6	111,5	115,2	115,3	111,0	106,7				151,3	
	10000	98,7	100,2	101,4	102,7	102,4	103,6	105,5	106,8	110,1	111,1	114,4	114,2	109,9	105,8				150,8	
	12500	97,8	99,1	100,2	101,6	102,3	103,0	105,1	105,7	108,6	109,9	113,4	112,8	109,0	104,6				150,0	
	16000	94,9	97,5	98,5	99,8	101,2	101,5	104,3	104,6	106,8	108,2	111,9	111,7	107,7	102,5				149,1	
	20000	93,4	96,0	96,7	98,2	98,2	99,4	102,3	102,8	106,2	106,7	110,1	109,9	105,4	101,0				147,8	
	25000	91,5	94,0	94,7	97,3	97,1	97,8	100,0	101,0	103,5	105,0	108,3	107,7	104,3	99,2				146,4	
860	31500	89,0	91,3	92,3	94,5	93,6	95,6	98,2	98,9	100,8	103,0	107,1	105,7	102,3	96,7				145,1	
	40000	86,6	89,8	90,6	92,6	91,2	92,5	94,9	95,6	98,2	100,0	104,7	102,9	99,8	94,8				143,2	
	50000	85,0	87,0	88,7	90,0	89,2	90,3	92,3	93,5	95,7	98,4	104,1	101,8	98,2	94,5				142,9	
	63000	83,6	85,8	85,9	88,4	87,2	87,9	90,4	91,5	94,2	98,3	102,9	100,3	97,5	95,4				143,7	
	80000	83,3	84,4	84,0	86,0	86,0	86,6	87,7	90,6	91,8	99,5	101,3	100,3	97,6	96,5				146,1	
OVERALL MEASURED																				
OVERALL CALCULATED		117,3	116,9	116,8	117,2	116,3	117,1	118,6	119,5	122,8	126,0	131,3	133,7	131,9	129,3				167,5	
PND8		130,0	129,8	129,9	130,2	129,4	130,3	131,2	131,9	135,1	138,4	142,8	145,3	142,2	138,9					

Model 8

858

MODEL SOUND PRESSURE LEVELS (59, DEG. F., 70 PERCENT REL. HUM., DAY - JENOTS)
 PROC. DATE - MONTH, 4 DAY 29 HR, 19'8

REV. ALPHA 12/73	FREQ.	ANGLES FROM INLET IN DEGREES (AND RADIANS)																PHL
		30	40	50	60	70	80	90	100	110	120	130	140	150	160	170	180	
NO EGA	50	80,6	81,3	80,9	79,4	79,5	80,3	82,1	82,0	80,9	93,8	85,8	89,3	83,0	102,2	130,5		
RDG. NO. 01	63	81,8	82,8	82,4	81,2	80,5	81,4	84,3	83,4	82,9	98,3	90,1	92,4	88,7	103,8	133,2		
RADIAL 40, FT.	80	83,9	84,4	83,8	83,1	82,0	83,4	85,6	85,1	85,3	96,6	91,7	95,4	91,5	105,4	134,1		
(12, 4)	100	85,7	85,7	85,9	85,4	83,9	85,7	88,7	88,7	89,6	90,0	100,2	95,4	100,5	109,4	138,2		
VEHICLE JENOTS	125	88,7	88,0	87,7	87,7	86,0	88,7	92,4	92,5	93,0	103,2	98,2	100,5	98,8	111,0	140,4		
CONFIG JE-053	160	95,4	90,2	90,4	89,9	88,2	91,4	94,4	94,7	97,2	103,9	101,2	105,4	105,1	112,1	142,2		
LOC EVENDALE	200	94,3	93,0	90,8	91,9	89,8	92,3	94,3	94,8	97,3	104,8	105,6	110,1	110,8	114,3	145,3		
DATE 04-04-75	250	95,5	94,5	94,7	93,8	89,2	93,8	94,8	95,8	103,2	105,3	109,5	113,6	114,1	114,3	147,6		
RUN DBTF R=40	315	97,0	95,6	96,1	96,3	96,1	95,7	95,5	99,0	101,6	106,8	112,6	113,6	116,7	117,3	149,7		
TAPE X80590	400	95,2	92,7	93,1	94,9	94,9	95,7	98,8	99,3	102,8	108,3	110,3	115,3	118,5	115,1	150,1		
BAR 29,9 HG	500	98,1	98,6	98,6	97,3	96,5	97,4	101,0	102,2	104,9	109,7	115,0	121,1	121,1	118,1	153,9		
(01039, N/42)	630	99,6	100,7	100,2	98,5	98,2	98,8	101,4	102,1	106,9	112,0	118,5	122,1	122,4	119,1	155,4		
TAMB 59, DEG F	800	100,7	100,9	101,2	100,8	100,8	100,3	102,4	104,1	108,3	114,0	119,2	122,2	120,5	120,7	155,7		
(288, DEG K)	1000	103,3	101,4	102,6	101,4	100,5	102,2	104,4	105,6	109,2	115,4	121,0	121,2	121,9	118,7	155,8		
TWET 53, DEG F	1250	105,0	103,5	103,6	103,3	101,5	103,0	105,4	105,7	109,7	115,2	122,6	124,5	121,2	117,7	157,4		
(285, DEG K)	1500	108,4	108,3	106,2	105,3	103,1	104,5	106,6	107,0	110,1	114,6	120,9	122,8	120,4	116,3	158,2		
HACT 8.91 G4/M3	2000	110,9	109,4	107,9	108,3	105,1	104,7	105,9	106,9	110,3	114,0	120,0	122,1	119,2	115,4	155,6		
(.00891, KG/M3)	2500	108,9	108,9	109,1	108,6	106,7	105,6	105,6	106,8	109,9	113,5	117,6	120,6	117,0	114,1	154,2		
FREQ. SHIFT	3150	106,7	107,1	107,2	108,2	107,3	107,5	106,7	106,6	109,7	112,8	116,9	119,6	116,0	112,8	153,5		
JET 0	4000	104,4	105,0	105,5	105,6	104,9	106,8	107,4	106,7	109,6	111,7	114,8	117,3	114,3	110,6	151,9		
DIAMETER RATIO	5000	102,6	104,1	103,7	104,4	103,4	104,9	106,9	107,3	109,9	111,6	114,5	116,9	112,8	109,2	151,4		
DP/DM 1.00	6300	101,4	102,7	103,2	104,3	103,1	104,1	105,3	106,3	109,5	110,8	113,0	115,4	112,2	107,4	150,5		
	8000	100,3	101,6	102,4	103,3	102,6	103,7	104,3	105,8	108,3	109,7	112,5	114,3	110,7	107,2	149,8		
	10000	99,2	100,7	101,2	102,7	102,4	102,3	103,7	105,0	108,1	108,9	111,9	113,7	109,9	106,5	149,4		
	12500	98,0	99,3	100,4	101,4	101,0	101,3	103,3	103,7	106,4	107,9	110,1	112,3	108,8	104,9	148,4		
	16000	95,6	97,5	98,2	99,8	99,7	100,2	102,3	102,8	104,8	106,2	109,1	110,2	107,4	102,8	147,3		
	20000	93,7	95,2	95,7	97,7	97,5	97,9	100,0	100,8	103,4	104,7	107,6	108,4	105,7	100,7	146,0		
399	25000	91,3	93,5	94,7	96,3	94,8	95,8	98,2	98,7	101,0	102,3	105,5	106,2	104,0	99,2	144,4		
	31500	88,7	90,8	91,8	93,0	92,1	93,6	96,2	96,4	98,5	100,8	104,2	104,5	102,3	95,7	143,1		
	40000	86,9	88,6	89,3	90,9	89,7	90,7	92,4	93,3	95,7	97,7	101,9	101,1	99,8	95,1	141,1		
	50000	84,5	86,2	87,7	88,5	87,2	88,3	90,3	91,0	93,2	96,4	100,1	100,3	98,9	94,8	140,7		
	63000	83,3	85,3	85,4	87,1	85,7	86,2	87,7	89,2	91,4	96,6	98,9	98,6	98,5	95,4	141,5		
	80000	83,1	84,4	83,5	85,5	85,2	86,1	86,7	89,1	89,3	99,0	98,8	98,3	98,6	96,8	144,9		
OVERALL MEASURED																		
OVERALL CALCULATED		117,1	116,9	116,6	116,8	115,5	116,1	117,4	118,1	121,2	125,0	130,1	132,4	131,0	128,7			
PND8		130,0	130,0	130,0	130,1	129,0	129,5	130,3	130,5	133,6	137,1	141,2	143,8	141,4	139,1	166,4		

Model 8

ORIGINAL PAGE IS OF POOR QUALITY

859

REV. ALPHA 12/73	FREQ.	ANGLES FROM INLET IN DEGREES (AND RADIAN)																	PWL
		30.	40.	50.	60.	70.	80.	90.	100.	110.	120.	130.	140.	150.	160.	0.	0.	0.	
NO ERA	50	80.1	80.6	81.4	81.4	80.7	82.8	83.6	82.8	82.1	94.3	83.8	86.5	82.1	101.0				130.0
ADG. NO. 1	63	82.3	81.6	87.9	83.0	82.3	83.7	83.5	83.2	83.1	96.3	86.6	89.6	86.5	102.6				132.5
RADIAL 40 FT.	100	84.4	83.2	91.2	84.4	83.2	85.7	88.0	87.8	88.5	102.2	93.4	92.9	89.5	104.6				134.4
(12.5)	125	91.7	85.5	94.2	85.5	84.2	88.0	90.9	89.5	91.0	108.5	96.5	99.9	99.0	110.0				141.3
VEHICLE JETS	160	95.4	87.2	96.2	87.9	87.2	90.2	93.1	91.4	94.7	106.9	98.7	102.2	102.1	110.9				141.6
CONFIG JE-053	200	95.6	91.3	93.3	89.8	87.5	91.3	92.8	91.8	94.3	105.3	103.6	106.9	107.7	112.5				143.3
LOC EVERDALE	250	94.6	92.3	92.3	92.0	90.0	92.0	92.8	93.0	100.2	104.3	107.7	109.3	112.1	111.9				145.1
DATE 14-04-75	315	97.0	92.8	93.0	93.8	93.3	94.0	93.5	95.3	99.7	106.3	110.7	111.4	114.7	116.7				148.1
QUA DBTF- R=036	400	93.7	90.5	91.3	92.2	92.7	93.7	96.6	97.1	100.3	107.3	108.3	113.5	116.2	113.1				148.1
TAPER XE1600	500	97.3	96.8	97.1	95.3	94.5	96.1	98.5	99.5	102.2	107.9	112.5	118.9	119.3	115.8				151.8
CAT 29.5 HG	630	98.6	98.2	98.0	97.0	96.7	96.5	99.1	100.1	104.7	110.7	117.2	120.6	120.2	116.1				153.6
(31.39, 1/2)	800	99.7	98.7	98.6	95.0	98.3	98.5	100.4	102.4	105.5	112.3	118.2	120.5	119.7	118.7				154.1
TANG 59 DEG F	1000	102.1	99.6	99.8	99.4	98.8	100.4	102.7	103.1	107.2	114.9	120.0	119.7	118.6	116.7				134.3
(266, DEG K)	1250	103.3	101.7	101.7	100.6	100.5	101.5	103.2	104.0	107.7	114.7	121.4	122.8	119.2	115.2				155.8
TWET 53, DEG F	1600	105.6	103.0	103.2	101.8	101.6	102.8	104.1	105.6	108.4	113.6	120.4	122.3	119.7	115.0				155.4
(285, DEG K)	2000	109.9	107.2	107.4	107.3	106.8	104.7	105.1	106.4	108.8	114.0	122.8	126.6	123.7	117.4				158.8
HACT 6.91 GN/3	2500	108.7	107.0	106.4	104.4	101.8	101.6	102.9	104.3	108.2	112.5	117.4	118.8	115.1	110.9				152.7
(.00891 KG/M3)	3150	105.3	105.4	105.5	105.9	104.6	103.6	102.7	104.1	107.5	111.8	115.9	117.8	114.0	108.8				151.8
FREQ. SHIFT	4000	101.5	102.2	103.0	103.9	103.4	104.4	103.7	103.7	107.1	110.9	114.8	116.3	111.6	106.6				150.6
JET C	5000	99.9	100.6	101.0	101.2	101.1	102.7	103.9	104.4	107.2	110.1	113.8	115.2	109.9	104.5				149.6
DIAMETER RATIO	6300	96.7	99.5	100.0	100.0	100.6	101.4	103.1	104.1	106.8	109.1	112.3	113.9	109.1	101.8				148.6
DF/DP 1.00	8000	97.1	98.4	99.2	99.6	99.6	100.7	101.9	103.3	106.1	108.0	111.0	112.3	108.0	100.8				147.6
	10000	96.0	97.0	97.7	98.8	98.5	100.2	100.8	102.1	105.4	107.4	110.2	110.5	106.5	99.1				146.8
	12500	93.5	95.5	96.1	97.6	97.2	97.7	100.0	100.9	103.8	105.9	108.8	109.8	105.2	97.1				145.8
	16000	91.9	93.2	93.9	95.0	95.9	96.9	98.5	99.3	102.0	104.4	106.8	107.9	102.6	94.7				144.5
	20000	89.3	91.1	91.8	93.6	93.9	94.6	95.9	97.2	99.6	101.8	105.5	106.5	100.8	92.9				143.1
	25000	86.6	88.6	89.6	90.9	90.9	91.7	93.8	94.6	97.1	99.4	103.9	103.8	98.9	92.3				141.3
	31500	84.1	85.9	86.9	88.4	87.2	89.5	90.8	92.3	93.9	97.1	101.5	102.1	96.4	90.6				139.6
	40000	82.5	84.4	84.7	86.2	85.3	86.1	87.3	88.2	91.3	93.6	99.6	99.0	95.2	91.2				137.8
	50000	81.5	83.2	83.2	85.0	83.1	84.4	84.9	86.6	88.4	91.5	99.3	97.5	94.1	93.5				137.9
	63000	82.3	84.0	82.6	85.3	83.9	84.1	84.4	86.4	86.9	91.0	98.1	96.8	93.5	95.6				139.1
	80000	83.3	84.9	82.7	86.2	85.2	86.1	85.9	87.8	85.7	91.7	96.6	97.1	95.6	97.2				142.9
OVERALL MEASURED																			
OVERALL CALCULATED		119.2	114.2	114.5	114.2	113.5	113.7	114.8	115.8	119.0	124.1	129.6	131.9	129.9	126.9				165.4
PNTB		124.5	127.6	127.9	127.7	126.7	127.0	127.4	128.1	131.4	136.3	141.8	144.6	142.0	137.8				

400

Model 8

SPL INPUT AT STD REV: ALPHA 12/73	ANGLES FROM INLET IN DEGREES (AND RADIANs)															PHL		
	30, (0.52)	40, (0.70)	50, (0.87)	60, (1.05)	70, (1.22)	80, (1.40)	90, (1.57)	100, (1.75)	110, (1.92)	120, (2.09)	130, (2.27)	140, (2.44)	150, (2.62)	160, (2.79)	0, (0)		0, (0)	0, (0)
NO EGA	50	67.8	67.6	71.1	68.7	70.7	70.6	70.6	70.3	69.6	69.3	68.5	70.3	73.6	75.9			111.6
RDG, NO, 0	63	67.8	68.8	72.1	70.5	71.0	72.4	71.5	71.4	70.9	72.1	72.1	74.4	77.7	80.1			114.0
RADIAL 40. FT. (12. M)	80	67.9	68.6	72.5	70.6	71.3	71.2	72.6	72.6	72.3	73.9	74.5	77.9	80.5	83.4			115.9
VEHICLE JENOTS	100	69.4	69.9	73.4	71.4	71.4	72.6	74.7	75.6	76.2	77.4	78.6	82.5	86.3	87.9			119.9
CONFIG JE-063	125	70.9	70.7	72.9	71.7	72.7	74.9	77.4	77.2	78.2	80.4	82.4	85.6	89.0	91.3			122.8
LOC EVENDALE	160	75.6	72.6	73.4	74.6	75.6	77.4	78.8	78.6	81.1	82.4	83.1	85.6	89.3	91.3			123.6
DATE 05-09-75	200	75.8	75.5	75.8	75.3	76.3	78.0	78.5	79.3	80.5	83.3	84.3	86.9	90.2	93.5			124.7
RUN DBTF-MODEL 9	250	78.5	78.8	78.8	79.0	78.8	79.3	79.8	80.8	86.8	86.0	87.5	88.5	91.9	94.9			126.9
TAPE X90010	315	81.3	80.0	79.5	81.0	82.3	82.9	81.3	85.8	85.5	86.8	88.0	89.6	93.4	97.8			128.7
BAR 29.4 HG	400	77.1	75.2	80.5	78.6	80.4	80.2	81.3	83.1	84.0	86.3	84.8	91.0	94.2	93.3			127.3
(99414, N/M2)	500	88.8	80.8	89.6	88.3	89.4	88.1	88.7	88.2	87.9	86.4	86.4	93.1	93.3	93.6			130.4
TAM7 74, DEG F	630	82.1	81.0	83.7	82.7	84.2	82.8	84.1	85.1	86.2	86.7	88.2	91.6	93.2	95.8			129.7
(296, DEG K)	800	80.0	84.4	83.1	84.0	82.8	81.8	82.9	84.9	86.0	88.0	89.7	91.5	92.0	95.2			128.6
TWET 58, DEG F	1000	81.6	81.9	83.5	82.2	83.3	84.4	84.2	85.8	86.1	88.1	88.2	90.9	91.4	90.4			127.8
(288, DEG K)	1250	79.7	80.2	81.9	81.5	82.2	82.4	83.9	85.2	85.2	87.4	89.1	90.0	89.7	87.2			126.8
HACT 0, GM/M3	1600	79.1	81.5	81.7	81.2	81.8	83.0	83.3	84.5	84.8	86.3	88.3	89.0	86.6	85.0			126.0
(, KG/M3)	2000	80.1	79.6	79.5	81.4	82.2	82.6	82.3	83.6	84.0	85.1	86.9	88.3	85.6	83.0			125.1
FREQ, SHIFT	2500	78.6	79.1	80.0	79.5	80.4	81.2	81.2	83.1	84.0	84.8	85.7	86.7	83.1	80.5			124.1
JST 0	3150	76.8	78.1	78.5	79.5	80.1	80.6	80.5	81.9	83.3	85.4	85.2	85.6	81.8	79.4			123.5
DIAMETER RATIO	4000	74.9	77.7	78.5	79.0	79.4	80.3	80.6	82.2	83.8	85.6	86.2	83.5	80.5	78.2			123.5
DF/DN 1.00	5000	75.5	78.0	79.1	79.1	79.5	80.6	80.8	82.8	84.6	86.5	86.4	84.1	80.5	78.6			124.0
	6300	75.0	78.3	79.0	79.6	80.6	81.4	81.4	83.3	84.5	85.4	86.3	83.7	79.8	78.3			124.1
	8000	74.2	79.0	80.0	80.2	81.5	82.1	81.5	83.7	84.2	85.9	86.1	82.9	79.6	78.4			124.5
	10000	74.0	78.7	80.2	80.8	81.7	81.9	81.0	83.0	83.6	85.1	84.9	81.5	79.4	77.5			124.3
	12500	71.8	77.9	79.7	79.9	81.6	81.3	80.6	81.7	81.9	83.5	83.4	79.9	77.8	76.2			123.5
	16000	69.5	75.3	77.8	77.8	79.8	79.3	78.6	80.1	80.4	82.3	81.2	77.8	75.5	73.9			122.1
	20000	66.3	72.8	74.5	75.3	76.1	75.5	76.2	77.2	78.5	79.0	78.0	74.7	72.8	70.6			119.6
401	25000	62.8	70.0	71.5	72.6	72.1	73.1	73.0	74.5	74.8	75.9	73.8	71.2	69.8	67.7			116.3
	31500	59.2	66.0	66.8	67.5	67.8	69.6	70.6	71.1	71.0	71.9	70.1	68.5	67.3	63.9			113.8
	40000	57.4	62.8	63.8	64.1	64.4	64.7	67.2	67.1	66.9	69.0	65.4	65.9	65.1	63.3			111.0
	50000	56.9	59.8	60.3	61.4	61.1	61.4	66.9	66.3	63.8	70.0	64.5	67.2	66.5	64.4			111.3
	63000	58.9	57.9	58.0	59.5	60.8	59.0	66.0	68.1	64.8	72.4	66.0	69.2	68.9	67.0			114.7
	80000	59.5	56.9	56.9	58.4	61.4	59.3	69.8	70.0	65.7	74.7	67.2	70.7	70.2	68.4			119.4
OVERALL MEASURED		93.2	92.9	93.0	94.7	95.6	95.6	95.9	97.2	98.0	99.3	100.1	101.8	102.9	104.7			139.8
OVERALL CALCULATED		103.5	103.1	105.4	105.5	106.2	106.7	106.9	108.4	109.6	111.1	111.8	112.2	111.3	112.2			

ORIGINAL PAGE IS OF POOR QUALITY

501

SPL INPUT AT STD REV: ALPHA 12/73	FREQ.	ANGLES FROM INLET IN DEGREES (AND RADIANS)																		PHL
		30, (0.52)	40, (0.70)	50, (0.87)	60, (1.05)	70, (1.22)	80, (1.40)	90, (1.57)	100, (1.75)	110, (1.92)	120, (2.09)	130, (2.27)	140, (2.44)	150, (2.62)	160, (2.79)	0, (0)	0, (0)	0, (0)		
NO EGA	50	67.3	69.3	69.6	70.2	69.7	69.6	68.9	70.9	69.9	71.1	70.8	73.5	77.3	79.7				113.0	
RDG. NO. 01	63	68.3	69.8	71.6	71.2	71.0	73.1	71.3	71.9	71.6	73.1	74.3	77.1	81.0	83.1				115.7	
RADIAL 40, FT.	80	68.9	71.4	71.8	71.9	72.3	72.4	72.8	73.8	73.8	75.4	77.7	80.6	84.0	87.1				118.5	
(12, H)	100	71.4	72.6	73.6	72.6	72.9	74.4	75.9	77.6	78.7	80.6	81.4	85.5	89.8	90.9				122.9	
VEHICLE JENOTS	125	73.9	73.2	72.9	74.2	74.2	76.7	79.6	79.9	80.7	84.2	85.2	88.8	92.5	94.3				125.9	
CONFIG JE-063	160	78.1	75.4	75.6	77.6	76.4	79.1	81.1	81.6	83.9	85.9	86.1	89.4	92.6	94.1				126.6	
LOC EVENDALE	200	78.0	77.8	77.3	78.5	78.3	80.3	80.8	82.3	83.3	86.3	87.3	90.1	93.0	96.3				127.5	
DATE 05-09-75	250	80.5	80.5	80.5	80.8	81.0	82.0	82.0	83.3	88.8	87.5	88.8	90.3	94.4	96.4				128.8	
RUN DBTF-MODEL 9	315	82.8	81.0	80.3	82.0	83.5	84.7	82.8	87.3	86.5	87.5	90.0	91.1	95.4	99.3				130.2	
TAPE X90030	400	79.9	76.7	82.5	81.1	82.6	82.2	83.3	85.8	86.5	88.6	86.8	93.3	96.7	95.3				129.6	
BAR 29.4 HG	500	78.6	79.6	82.1	81.0	82.0	82.9	84.7	85.9	87.2	87.7	89.4	95.4	95.1	94.1				129.7	
(99381, N/M2)	630	81.6	84.7	86.2	84.2	84.2	84.0	85.6	87.6	88.7	88.9	90.5	93.8	94.9	96.1				130.3	
TAMP 74, DEG F	800	81.5	83.9	84.4	84.8	84.5	84.5	85.4	88.6	89.0	91.0	92.5	94.0	93.2	94.7				130.5	
(296, DEG K)	1000	83.3	83.6	85.5	84.4	85.8	86.9	87.4	88.1	89.1	91.3	91.5	93.9	92.6	90.7				130.3	
THET 58, DEG F	1250	82.7	83.7	85.6	85.0	86.0	86.4	88.2	88.7	88.9	90.6	92.1	93.2	91.2	88.4				130.0	
(288, DEG K)	1600	82.6	85.5	85.4	85.0	86.6	87.5	87.8	89.0	88.6	90.3	91.3	92.0	89.4	86.7				129.6	
HACT 0, G4/M3	2000	84.3	83.8	84.3	86.9	87.2	87.6	87.3	88.6	89.0	89.9	90.9	91.8	88.1	86.3				129.5	
(, KG/M3)	2500	82.3	84.3	85.3	84.2	85.4	86.2	86.7	88.6	89.0	90.1	89.7	90.4	86.9	84.2				128.8	
FREQ. SHIFT	3150	80.8	83.6	84.0	85.0	85.6	86.3	86.0	87.9	88.6	91.4	89.7	89.6	86.3	83.6				128.7	
JET 0	4000	79.4	82.7	83.2	84.5	85.4	86.1	86.6	88.4	90.0	92.4	90.2	87.8	84.8	82.7				129.1	
DIAMETER RATIO	5000	79.7	83.5	84.3	85.1	86.0	87.3	87.8	90.8	92.8	94.7	91.2	88.6	84.7	83.1				130.9	
DF/DH 1.00	6300	80.5	84.8	85.0	86.6	87.9	88.9	89.6	92.1	93.8	96.1	92.6	89.7	86.3	84.1				132.4	
	8000	81.2	85.5	86.3	87.2	88.7	90.6	91.0	93.7	95.0	97.4	94.4	93.9	87.1	85.1				134.0	
	10000	81.5	85.4	86.9	88.0	89.7	90.6	91.2	94.5	95.9	97.9	95.1	91.2	87.9	86.3				134.9	
	12500	80.3	84.9	87.0	87.2	88.8	90.6	90.6	93.5	94.2	97.0	95.4	90.9	87.6	85.0				134.5	
	16000	78.5	83.0	85.3	85.6	87.3	88.5	89.4	91.4	92.9	94.3	93.5	89.3	86.3	83.6				133.0	
	20000	75.8	80.8	82.3	83.3	84.3	85.3	86.4	88.7	89.8	90.8	89.5	85.7	83.3	80.6				130.2	
	25000	71.5	78.0	79.7	80.4	80.6	82.4	83.7	85.5	85.8	86.8	83.3	80.4	78.0	75.7				126.9	
	31500	67.9	74.2	75.5	76.2	76.8	79.1	80.4	81.3	81.2	82.9	80.1	76.7	74.0	71.4				123.6	
	40000	64.6	70.8	72.6	73.4	73.2	74.2	75.7	76.8	77.2	77.8	74.2	71.6	70.3	68.3				119.8	
	50000	61.9	66.4	69.4	69.9	70.1	70.4	71.9	73.6	73.1	75.2	70.5	69.9	69.0	66.6				117.6	
	63000	61.2	62.6	66.8	68.5	69.5	68.5	70.3	71.1	69.3	74.9	68.0	69.9	69.6	67.0				118.0	
	80000	60.0	58.9	65.6	67.9	70.2	69.0	70.3	71.0	67.2	75.9	67.7	71.2	70.7	67.9				121.3	
OVERALL MEASURED																				
OVERALL CALCULATED		94.6	96.8	97.9	98.3	99.4	100.4	101.0	103.3	104.4	106.3	105.1	105.2	105.5	106.3				144.7	
PNDB		106.5	108.5	109.3	109.9	110.8	111.7	112.3	114.5	115.8	117.8	116.1	116.1	114.5	114.5					

402

SPL INPUT AT STD REV. ALPHA 12/73	FREQ.	ANGLES FROM INLET IN DEGREES (AND RADIANS)																PHL	
		30, (0.52)	40, (0.70)	50, (0.87)	60, (1.05)	70, (1.22)	80, (1.40)	90, (1.57)	100, (1.75)	110, (1.92)	120, (2.09)	130, (2.27)	140, (2.44)	150, (2.62)	160, (2.79)	0, (0)	0, (0)		0, (0)
NO EGA	63	66.8	67.1	67.4	67.7	68.0	68.8	69.4	70.8	71.6	72.3	74.5	77.3	80.8	83.4				115.1
RDG. NO. 0	80	69.8	70.3	70.6	71.0	71.3	74.1	74.3	74.9	75.4	76.8	79.1	81.4	85.2	87.8				119.4
RADIAL 40 FT. (12. M)	100	71.4	72.4	73.5	72.6	73.0	73.4	74.8	76.1	77.6	78.9	81.7	85.4	88.0	90.9				122.1
VEHICLE JENOTS	125	74.9	75.4	75.6	75.1	75.1	77.4	79.4	81.3	81.7	83.4	85.9	89.5	93.8	94.9				126.7
CONFIG JE-063	160	77.4	76.4	76.4	77.2	76.9	79.9	82.6	83.4	84.2	86.9	88.7	92.6	96.0	97.3				129.2
LOC EVENDALE	200	81.6	78.9	79.1	80.6	80.1	82.6	84.8	85.4	87.4	89.4	90.4	93.1	96.1	98.1				130.3
DATE 05-09-75	250	81.0	80.5	79.5	80.5	80.8	83.3	84.3	85.5	86.8	89.3	90.8	93.1	96.7	100.5				131.3
RUN DBTF-MODEL 9	315	83.8	83.3	83.0	83.5	83.8	84.3	84.3	86.3	86.3	88.6	90.5	92.5	94.5	98.2				132.0
TAPE X90050	400	85.8	83.5	83.8	85.0	86.3	86.9	85.3	89.3	88.8	91.0	93.5	95.1	99.4	101.5				133.3
BAR 29.4 HG (99381, N/M2)	500	82.4	79.7	86.8	83.9	85.6	85.4	86.5	89.1	90.0	92.8	92.0	97.8	100.9	97.6				133.5
TAMR 74 DEG F (296, DEG K)	630	82.3	83.3	85.6	84.0	85.4	86.6	88.7	89.4	90.9	92.2	94.2	98.9	99.1	96.6				133.5
THET 58 DEG F (288, DEG K)	800	83.1	85.5	86.5	85.0	86.5	86.3	88.6	90.4	91.4	92.7	95.2	98.3	98.7	97.8				133.7
HACT 0, GM/M3 (, KG/M3)	1000	84.2	86.2	86.4	87.0	88.0	87.8	88.7	91.1	92.0	95.5	96.7	98.0	96.5	96.0				133.9
FREQ, SHIFT JET	1250	86.1	85.6	88.0	86.9	88.3	89.2	90.4	91.1	93.1	95.8	96.7	97.4	94.6	91.9				133.8
DIAMETER RATIO DF/DM 1.00	1600	85.5	86.7	88.1	88.3	89.2	89.4	90.9	92.2	92.9	95.6	97.3	96.7	93.4	90.7				133.9
	2000	85.6	87.7	88.2	88.7	89.8	90.7	91.3	92.8	93.3	95.8	96.3	96.0	93.4	89.7				133.8
	2500	86.8	87.3	87.3	90.4	90.7	90.9	91.3	93.1	93.7	96.1	96.2	96.3	93.3	89.8				134.1
	3150	86.3	88.1	88.5	88.7	89.1	90.7	91.7	93.6	94.8	96.6	96.0	95.7	92.6	89.5				134.2
	4000	85.3	88.4	88.5	90.2	90.6	90.8	91.5	93.9	94.6	97.4	95.4	95.6	92.3	89.9				134.4
	5000	83.9	88.2	88.7	90.0	90.9	91.1	91.8	94.2	95.6	97.9	94.8	94.0	91.8	89.2				134.6
	6300	84.2	88.0	88.8	90.6	91.5	92.3	93.5	96.0	98.1	99.2	94.9	94.6	91.5	88.8				135.9
	8000	84.5	89.8	90.5	92.1	93.4	94.4	94.9	97.8	99.5	100.1	95.3	93.4	91.1	88.6				137.2
	10000	86.2	90.3	91.5	93.5	93.2	95.8	96.7	99.7	101.2	101.4	96.6	93.7	91.1	88.9				139.0
	12500	87.2	91.2	92.4	95.3	96.0	97.1	98.0	101.0	102.9	102.9	98.1	94.5	92.2	89.8				140.7
	16000	87.8	92.1	93.0	95.4	96.3	97.8	98.9	101.7	102.7	104.0	99.2	95.9	93.8	91.0				141.7
	20000	85.7	90.3	91.8	94.1	93.8	96.8	98.1	100.4	101.7	102.6	99.0	96.0	93.0	89.6				141.0
	25000	82.3	87.1	89.3	91.1	92.1	92.5	94.4	96.4	97.5	97.8	95.5	92.2	89.5	86.3				137.5
403	31500	79.0	84.2	86.2	88.6	88.9	90.4	91.5	93.5	94.6	95.1	89.8	86.4	84.5	82.0				134.9
	40000	75.9	80.5	83.0	85.0	85.5	87.8	88.9	90.8	91.5	92.2	87.3	84.0	81.8	78.4				132.5
	50000	72.9	77.6	79.8	82.1	81.9	83.7	84.9	86.8	87.9	88.3	82.9	79.6	78.6	76.1				129.5
	63000	69.9	73.9	76.4	78.4	78.6	80.1	82.4	83.8	85.1	86.5	79.5	78.4	78.0	75.6				127.8
	80000	68.9	70.9	72.5	74.5	74.8	78.8	80.5	82.1	82.5	85.7	77.8	79.2	79.1	76.7				128.2
OVERALL MEASURED		68.8	67.6	68.6	70.4	71.7	79.3	80.3	81.3	78.9	86.2	78.2	80.5	80.2	77.9				130.8
OVERALL CALCULATED		98.6	101.2	102.4	104.0	105.0	105.9	107.0	109.4	110.8	111.9	109.5	109.5	109.5	109.2				150.2
PND		110.2	112.6	113.3	114.5	118.5	116.3	117.1	119.5	121.0	122.3	120.6	120.9	119.4	117.7				

ORIGINAL PAGE IS OF POOR QUALITY

MODEL SOUND PRESSURE LEVELS (59, DEG F, 70 PERCENT REL. HUM, DAY - JENOTS)

SPL INPUT AT STD REV: ALPHA 12/73	FREQ.	ANGLES FROM INLET IN DEGREES (AND RADIANS)																		PWL
		30, (0.52)	40, (0.70)	50, (0.87)	60, (1.05)	70, (1.22)	80, (1.40)	90, (1.57)	100, (1.75)	110, (1.92)	120, (2.09)	130, (2.27)	140, (2.44)	150, (2.62)	160, (2.79)	0, (0)	0, (0)	0, (0)		
NO VEGA	50	64.6	65.3	65.9	64.9	66.5	67.1	66.9	68.8	69.4	69.8	71.5	74.3	78.3	79.4				112.3	
RDG: NO. 0	63	66.3	66.6	68.4	68.0	69.3	71.1	69.8	71.2	71.1	72.8	75.1	77.9	82.2	83.8				115.8	
RADIAL 40 FT. (12. M)	80	67.6	68.6	69.5	69.6	70.3	70.7	71.1	72.6	72.8	75.4	78.0	81.6	84.5	87.1				118.5	
VEHICLE JENOTS CONFIG JE-063	100	70.9	71.9	72.4	71.4	70.9	72.4	74.9	77.1	78.0	79.4	81.4	86.0	90.5	91.2				123.0	
LOC EVENDALE	125	74.2	73.2	72.9	72.9	72.9	72.9	76.2	78.4	79.4	80.2	83.4	84.4	88.6	92.0				125.4	
DATE 05-09-75	160	79.4	75.6	76.1	76.9	76.6	78.4	80.3	80.9	83.6	85.4	86.6	89.4	92.6	94.3				126.6	
RUN DBTF-MODEL 9	200	78.5	77.5	76.5	77.3	77.5	79.3	80.0	81.6	83.5	86.5	89.3	92.4	95.2	98.3				129.2	
TAPE X90110	250	81.8	81.3	80.0	80.8	80.3	81.3	82.0	84.5	90.0	90.8	94.0	95.5	98.9	100.1				132.4	
BAR 29.4 HG (99381, N/M2)	315	83.5	82.0	80.8	82.3	83.8	84.9	83.3	88.3	88.8	91.3	94.5	96.4	100.9	103.5				134.4	
YAMB 74, DEG F (296, DEG K)	400	81.1	77.9	84.8	81.6	83.1	83.4	85.5	88.6	90.0	92.8	92.5	98.0	101.4	100.1				134.0	
TWET 58, DEG F (288, DEG K)	500	80.8	81.1	83.3	81.3	82.4	83.9	85.7	86.4	87.4	89.2	91.4	97.9	99.8	96.8				132.4	
HACT 0. GM/M3 (, KG/M3)	630	83.3	84.5	86.7	84.5	86.2	86.8	87.1	87.9	89.7	90.5	93.7	98.6	99.7	100.3				135.7	
FREQ, SHIFT JET 0	800	80.5	82.7	84.4	83.3	83.3	83.5	85.2	88.1	89.5	92.3	94.5	96.8	96.5	98.2				132.3	
DIAMETER RATIO DF/DM 1.00	1000	83.3	83.6	85.5	84.4	83.5	83.9	87.2	88.3	89.6	92.3	93.7	97.2	94.9	92.9				131.8	
	1250	81.7	82.2	83.6	82.3	83.2	85.2	86.9	87.9	88.7	91.4	94.1	95.7	93.2	89.4				130.8	
	1600	80.3	83.0	83.2	83.7	84.1	85.5	86.0	87.7	88.3	90.5	93.3	93.7	90.6	86.9				129.7	
	2000	81.6	81.3	81.5	83.9	84.7	85.1	85.3	86.8	87.7	89.4	91.7	92.0	88.3	85.0				128.6	
	2500	79.3	81.3	82.0	82.0	82.9	83.4	83.7	85.6	86.5	88.6	89.7	89.9	84.9	82.2				127.0	
	3150	78.1	80.9	81.0	82.5	82.3	83.3	83.8	85.4	86.1	88.6	88.4	87.9	83.8	81.1				126.4	
	4000	76.9	79.4	80.5	81.5	81.9	83.3	83.3	85.2	86.8	89.1	88.2	85.5	82.0	79.7				126.1	
	5000	77.5	80.3	81.8	82.1	82.3	83.6	84.5	86.8	88.1	90.7	88.9	85.9	82.0	80.1				127.3	
	6300	77.2	80.8	82.0	83.6	84.4	85.2	85.4	87.1	88.8	91.9	90.1	86.4	83.1	80.6				128.4	
	8000	76.9	82.0	84.0	84.2	85.5	86.6	86.5	88.7	89.2	91.9	90.6	85.9	83.1	80.9				129.3	
	10000	77.0	81.2	83.7	84.8	86.0	86.9	85.7	87.8	89.4	91.1	90.4	85.5	82.9	81.0				129.3	
	12500	74.8	79.9	81.7	83.7	84.3	85.3	84.6	86.0	87.2	89.5	87.9	83.6	81.3	79.7				127.8	
	16000	72.0	78.5	80.0	81.3	82.5	83.8	82.6	84.4	85.4	87.3	84.7	80.8	78.5	77.6				126.2	
	20000	69.0	75.8	77.8	78.8	79.6	80.5	80.4	81.9	83.3	84.0	81.2	77.2	75.8	74.6				123.8	
	25000	66.9	73.5	75.2	75.9	76.9	77.9	78.5	79.3	80.8	81.1	76.8	74.2	74.5	73.2				121.6	
	31500	62.4	69.0	71.0	72.5	72.3	74.8	75.4	76.6	76.8	77.2	74.1	71.2	73.5	70.7				118.7	
	40000	59.9	65.6	68.1	69.6	68.9	70.2	70.7	72.1	72.2	74.0	69.4	67.9	73.3	71.3				115.9	
	50000	58.4	62.3	66.1	67.1	67.3	67.4	68.6	69.3	68.8	73.0	66.7	68.2	76.3	73.4				115.8	
	63000	58.7	59.6	65.5	67.0	68.3	67.3	68.8	69.3	66.5	74.4	66.8	70.4	78.6	76.0				118.8	
	80000	59.5	57.6	65.4	67.2	69.4	68.8	70.3	70.3	66.2	75.9	68.0	71.7	80.5	77.9				123.3	
OVERALL MEASURED																				
OVERALL CALCULATED		93.5	94.7	96.0	96.1	96.8	97.9	98.4	100.2	101.6	103.8	105.0	107.3	108.7	109.2				144.0	
PND8		104.6	106.3	107.1	107.7	108.1	109.2	109.7	111.6	112.9	115.4	115.7	116.4	116.5	116.3					

404

SPL INPUT AT STD REV; ALPHA 12/73	ANGLES FROM INLET IN DEGREES (AND RADIANS)																		PWL
	30'	40'	50'	60'	70'	80'	90'	100'	110'	120'	130'	140'	150'	160'	0.	0.	0.		
FREQ, (0.52)	(0.70)	(0.87)	(1.05)	(1.22)	(1.40)	(1.57)	(1.75)	(1.92)	(2.09)	(2.27)	(2.44)	(2.62)	(2.79)	(0.)	(0.)	(0.)			
NO EGA	50	66.6	66.8	67.1	67.7	68.2	69.1	68.9	70.8	71.4	73.1	75.8	78.3	82.6	84.2			116.0	
RDG; NO. 01	63	69.3	70.3	70.6	70.7	71.0	72.9	72.0	74.9	75.4	77.3	79.6	82.4	86.0	87.6			119.6	
RADIAL 40, FT, (12, M)	80	72.1	73.1	73.5	73.6	73.0	73.4	74.8	76.1	76.8	78.9	82.2	85.9	88.8	91.6			122.7	
VEHICLE JENOTS	100	75.6	75.9	76.1	75.6	75.4	77.4	79.4	81.6	82.0	84.1	86.9	90.8	94.8	95.7			127.5	
CONFIG JE-063	125	78.4	77.4	76.9	77.7	77.4	80.4	82.1	83.7	84.7	87.7	89.9	93.6	96.5	97.8			129.9	
LOC EVENDALE	160	83.4	80.1	80.6	80.9	80.4	83.1	84.8	85.6	88.1	89.9	91.4	93.9	96.6	98.6			130.9	
DATE 05-09-75	200	83.0	81.5	80.5	81.3	81.5	83.5	84.3	85.3	87.5	90.5	93.1	96.4	99.0	100.3			132.5	
RUN DBTF-MODEL 9	250	85.5	84.8	83.5	83.8	83.8	84.5	85.0	87.0	92.3	92.8	95.8	98.5	102.4	101.9			135.1	
TAPE X90130	315	86.5	84.3	84.0	84.5	86.3	87.2	86.3	90.3	90.8	93.5	96.8	99.1	104.2	105.8			137.0	
BAR 29.4 HG (99347, N/M2)	400	83.4	80.9	87.5	84.4	86.1	86.2	88.0	90.6	92.0	95.6	94.5	101.0	105.4	103.1			137.2	
TAMB 74; DEG F (296; DEG K)	500	83.6	83.6	83.6	84.0	85.4	86.1	89.0	89.7	91.4	92.9	95.2	100.9	102.3	100.1			135.4	
THET. 58; DEG F (288; DEG K)	630	84.1	85.7	86.7	84.7	86.7	86.0	88.4	90.4	91.9	93.7	97.0	100.8	102.4	102.3			136.1	
HACT 0; GM/M3 (0; KG/M3)	800	83.7	85.9	85.9	86.3	87.0	87.0	88.4	91.1	92.5	95.8	97.5	99.3	98.2	99.2			134.8	
FREQ, SHIFT	1000	85.8	84.6	87.0	86.2	87.5	88.7	89.9	91.1	92.9	95.8	97.0	99.2	96.1	93.7			134.2	
JET 0	1250	84.7	85.4	87.6	87.8	88.0	88.9	90.4	91.4	91.9	95.1	97.1	97.7	94.4	90.9			133.7	
DIAMETER RATIO DF/DH 1.00	1600	84.1	86.7	87.2	87.5	88.3	90.0	90.3	91.7	91.8	94.8	96.1	95.7	92.9	89.0			133.0	
	2000	85.8	86.1	86.5	88.7	89.5	89.9	90.0	91.6	92.2	94.1	95.7	95.0	92.3	88.5			132.8	
	2500	84.8	87.6	87.3	87.2	87.9	89.9	90.2	91.4	92.3	93.8	93.5	93.7	90.6	87.5			132.1	
	3150	83.8	86.4	87.5	87.7	88.8	89.3	90.0	91.1	92.1	94.1	93.2	92.9	90.1	87.1			132.0	
	4000	82.4	85.9	87.0	87.8	88.4	89.8	90.3	91.9	93.8	94.9	93.2	91.5	89.0	86.7			132.4	
	5000	83.2	86.5	87.1	88.1	89.5	91.1	91.8	94.0	96.3	97.7	92.7	91.4	89.0	86.1			134.1	
	6300	83.5	87.0	89.0	90.1	91.9	93.4	93.6	96.1	98.0	99.9	93.8	91.2	89.3	85.8			136.0	
	8000	84.2	88.3	89.8	91.7	93.2	95.3	95.0	98.2	99.7	101.6	95.9	92.2	89.6	86.9			138.0	
	10000	85.2	89.7	91.2	92.8	94.0	95.9	96.2	98.8	100.6	103.1	97.6	93.2	90.7	88.0			139.4	
	12000	85.3	89.6	91.5	92.7	94.3	95.8	96.9	99.2	100.9	103.3	98.7	94.4	91.8	88.5			140.1	
	16000	84.0	88.8	90.0	91.6	93.8	95.0	96.4	98.1	99.9	101.6	98.2	94.5	91.5	87.4			139.5	
	20000	80.8	85.6	87.0	89.1	90.1	91.5	92.7	94.7	96.0	97.5	94.7	90.7	88.0	84.6			136.2	
	25000	76.8	82.7	85.0	86.6	86.9	88.6	89.5	91.5	92.8	94.1	89.0	85.4	83.5	80.2			133.2	
	31500	73.7	79.2	81.3	83.0	83.3	86.1	87.1	88.6	89.0	91.2	86.3	82.0	80.0	76.2			130.7	
	40000	70.6	76.1	78.1	79.6	80.4	81.7	82.7	84.6	85.4	87.3	81.4	78.6	77.3	73.8			127.6	
	50000	66.9	72.4	74.4	76.4	76.3	77.4	79.1	81.6	81.8	85.2	78.5	77.9	77.8	74.6			125.8	
	63000	63.2	69.6	70.5	72.5	73.0	73.5	75.5	80.6	79.6	84.9	77.3	79.4	79.4	76.7			126.5	
	80000	61.0	67.1	67.4	69.4	70.7	71.3	72.3	80.5	77.4	85.9	78.0	81.0	80.5	78.2			129.7	
OVERALL MEASURED																		149.7	
OVERALL CALCULATED		97.9	100.0	101.2	102.1	103.3	104.8	105.5	107.7	109.3	111.4	109.4	110.5	112.1	111.7				
PNDB		109.3	111.3	112.4	112.8	114.1	115.5	116.0	118.1	119.8	121.8	119.7	120.1	120.5	119.4				

ORIGINAL PAGE IS OF POOR QUALITY

MODEL SOUND PRESSURE LEVELS (59, DEG, F, 70 PERCENT REL. HUM, DAY - JENOTS)
 PROC. DATE - MONTH 90 DAY 0 HR. 0.8
 ANGLES FROM INLET IN DEGREES (AND RADIANS)

SPL INPUT AT STD	FREQ.	30.	40.	50.	60.	70.	80.	90.	100.	110.	120.	130.	140.	150.	160.	0.	0.	0.	PWL
REV. ALPHA 12/73	(0.52)	(0.70)	(0.87)	(1.05)	(1.22)	(1.40)	(1.57)	(1.75)	(1.92)	(2.09)	(2.27)	(2.44)	(2.62)	(2.79)	(0.)	(0.)	(0.)		
NO EGA	50	70.3	70.6	70.9	70.7	71.5	72.3	72.9	73.3	73.9	76.3	79.3	82.3	85.8	87.9				119.5
RDG. NO. 0	63	73.6	74.1	74.1	74.5	76.0	75.9	76.5	77.2	77.6	80.3	83.1	86.4	89.7	91.6				123.3
RADIAL 40. FT.	80	75.4	76.6	76.8	76.6	76.5	77.2	78.8	79.3	80.8	82.9	87.0	90.1	93.0	95.6				126.8
(12. M)	100	79.6	79.4	79.6	79.1	79.4	81.4	83.7	85.1	85.7	87.6	90.4	94.8	99.0	99.9				131.6
VEHICLE JENOTS	125	82.7	81.2	80.9	81.2	81.2	83.7	86.4	86.7	88.4	91.2	93.4	97.3	100.8	102.5				134.0
CONFIG JE-063	160	86.9	84.4	84.4	84.1	84.4	86.9	88.8	88.9	91.6	93.1	94.6	97.9	100.6	102.1				134.6
LOC EVENDALE	200	86.8	85.5	84.3	85.0	85.5	87.5	88.0	89.3	91.0	93.5	97.1	100.9	102.7	104.5				136.5
DATE 05-09-75	250	89.0	88.0	87.3	87.3	87.5	88.3	88.5	90.0	95.8	96.0	99.3	102.5	105.9	104.6				138.5
RUN DBTF-MODEL 9	315	89.5	87.5	87.5	88.8	89.5	90.2	88.8	93.3	93.5	96.5	100.5	103.1	107.7	107.5				140.0
TAPE X90150	400	86.4	84.2	89.8	87.4	88.9	89.2	91.0	93.6	95.3	99.1	98.8	104.8	109.4	105.6				140.8
BAR 29.4 HG	500	86.6	87.3	89.1	88.3	89.0	90.1	93.0	93.7	95.2	97.2	99.0	104.4	104.8	103.6				138.8
(99347, N/M2)	630	86.8	88.2	89.5	88.5	89.5	89.5	92.1	94.1	96.4	98.0	101.5	104.3	105.4	104.8				139.5
TAMP 74, DEG F	800	87.5	89.4	89.4	90.0	91.0	91.0	92.7	95.9	97.0	100.3	102.2	103.0	102.5	101.5				138.9
(296, DEG K)	1000	88.8	88.1	90.3	89.7	90.5	92.2	93.2	95.5	97.1	100.6	102.0	102.9	100.1	97.2				138.4
THET 58, DEG F	1250	88.2	89.7	90.9	90.8	91.0	91.9	94.2	95.7	97.2	100.1	102.6	102.0	98.4	95.2				138.2
(288, DEG K)	1600	88.1	90.7	90.7	91.0	91.3	93.2	94.5	96.2	97.1	99.8	101.1	100.7	97.4	93.5				137.7
HACT 0, GM/M3	2000	89.1	89.8	89.3	92.2	92.7	93.6	94.8	96.6	97.7	99.6	100.7	100.3	97.8	94.3				137.7
(, KG/M3)	2500	88.3	90.6	91.0	91.0	91.6	93.4	94.4	96.6	98.8	99.8	99.7	99.9	97.4	94.0				137.7
FREQ. SHIFT	3150	88.6	91.1	91.3	92.2	93.1	94.1	94.8	96.9	98.8	100.4	99.9	100.1	98.1	95.4				138.1
JET 0	4000	87.6	90.4	91.2	92.3	93.1	94.1	95.3	97.2	99.8	100.1	99.5	100.2	97.8	95.0				138.3
DIAMETER RATIO	5000	87.7	91.0	91.8	93.1	93.5	95.1	96.0	99.5	101.6	100.5	99.2	100.1	97.7	94.6				139.1
DF/DM 1.00	6300	88.2	91.8	93.5	94.8	95.6	96.9	97.4	100.6	102.8	101.1	99.1	98.7	97.6	93.8				140.0
	8000	89.4	92.8	94.8	95.7	97.2	98.8	99.7	102.7	104.2	101.9	98.9	97.7	96.6	93.9				141.5
	10000	90.7	94.2	95.7	98.0	99.2	100.4	101.7	105.0	106.4	103.6	99.6	97.7	96.4	93.3				143.7
	12000	90.8	94.6	96.5	98.4	99.6	101.3	102.9	105.5	106.9	104.3	100.7	98.4	95.6	93.0				144.6
	16000	89.7	93.3	95.0	97.3	97.8	100.3	101.9	103.6	104.4	103.3	100.5	97.5	95.3	91.6				143.5
	20000	87.3	91.1	93.0	95.1	95.8	96.8	97.9	99.9	100.8	99.3	97.0	94.7	92.0	88.3				140.5
	25000	83.5	88.0	90.5	92.4	92.9	94.4	95.5	97.5	98.5	96.1	92.0	90.2	88.0	84.0				138.2
	31000	79.2	84.2	86.3	88.2	89.0	91.3	92.6	94.1	94.7	93.2	89.3	87.0	84.8	79.2				135.4
	40000	75.9	80.3	82.6	84.6	85.2	86.2	87.9	89.6	91.9	89.0	84.4	82.1	80.8	76.8				132.1
	50000	71.9	75.6	78.1	80.4	81.3	82.9	84.6	87.1	88.3	87.0	81.0	80.7	79.0	75.4				130.1
	63000	69.9	71.9	74.0	76.5	80.0	80.0	81.8	84.3	85.5	85.7	78.8	80.4	80.4	76.7				129.7
	80000	69.3	67.8	69.4	71.7	79.7	79.3	81.6	82.3	81.9	86.7	78.5	81.5	81.0	77.7				132.0
OVERALL MEASURED																			
OVERALL CALCULATED		102.1	104.2	105.5	106.8	107.7	109.2	110.5	112.9	114.4	113.9	113.6	114.9	116.0	114.8				153.9
PNDB		113.6	115.5	116.2	117.2	117.9	119.2	120.1	122.7	124.7	125.0	125.1	126.0	125.4	123.2				

406

SPL INPUT AT STD REV: ALPHA 12/73	FREQ.	ANGLES FROM INLET IN DEGREES (AND RADIANS)															PWL		
		30, (0.52)	40, (0.70)	50, (0.87)	60, (1.05)	70, (1.22)	80, (1.40)	90, (1.57)	100, (1.75)	110, (1.92)	120, (2.09)	130, (2.27)	140, (2.44)	150, (2.62)	160, (2.79)	0, (0)		0, (0)	0, (0)
NO EGA	50	67.8	67.6	68.6	68.7	69.0	69.8	69.9	69.8	70.4	72.3	75.3	78.0	81.3	82.7				115.3
RDG; NO, 01	63	70.3	70.1	70.9	71.5	71.5	73.9	72.0	72.7	73.1	77.1	79.1	81.6	84.7	86.8				118.9
RADIAL 40. FT. (12. M)	80	71.6	72.1	72.8	72.6	72.3	73.2	74.3	74.6	76.1	78.1	82.2	85.4	88.3	90.6				122.0
VEHICLE JENOTS	100	74.4	74.6	74.9	74.4	74.4	76.1	78.7	79.8	81.0	82.9	85.6	90.0	93.5	94.4				126.4
CONFIG JE-063	125	77.4	75.9	75.7	76.4	76.2	78.9	81.4	81.7	83.2	86.2	88.4	92.3	95.3	96.5				128.6
LOC EVENDALE	160	82.4	78.9	79.1	79.6	79.4	81.4	83.3	84.4	86.6	88.1	89.9	93.1	95.3	96.8				129.5
DATE 05-09-75	200	82.5	81.0	79.8	80.3	80.8	82.8	83.0	85.5	86.3	90.0	93.3	96.6	98.5	101.0				132.6
RUN DBTF-MODEL 9	250	84.5	84.0	82.8	83.0	83.0	83.8	84.3	86.0	92.0	92.5	96.5	99.0	101.9	101.1				134.9
TAPF X90210	315	86.5	84.5	83.5	85.0	86.8	87.7	86.5	91.5	92.8	95.5	99.0	101.1	105.2	106.0				138.1
BAR 29.4 HG (99313, N/M2)	400	83.6	81.4	86.5	84.4	85.6	86.4	88.3	91.1	93.0	96.8	97.3	103.3	107.4	104.1				138.9
TAMR 75, DEG F (297, DEG K)	500	84.3	83.6	85.3	83.0	84.7	86.1	88.7	90.2	91.7	93.4	96.2	102.6	104.6	101.6				136.9
THET 60, DEG F (289, DEG K)	630	85.3	86.5	87.7	86.0	87.5	87.3	89.1	91.1	93.2	95.0	99.2	104.3	105.9	104.8				138.8
HACT 0, G4/M3 (, KG/M3)	800	83.7	85.7	85.4	85.8	86.5	86.8	88.2	91.4	92.8	96.3	99.0	102.0	101.0	103.2				136.8
FREQ. SHIFT	1000	86.6	86.1	87.3	86.2	86.5	88.7	89.7	91.3	93.6	96.3	99.2	102.2	99.6	96.9				136.2
DIAMETER RATIO	1250	84.2	85.4	85.6	85.9	86.7	88.4	90.2	91.7	92.7	95.9	99.3	100.2	96.4	93.9				135.1
DF/DH 1.00	1600	82.8	85.5	85.2	86.0	87.3	88.5	89.3	90.7	92.3	93.0	97.8	97.2	94.4	91.5				133.6
OVERALL MEASURED	2000	84.1	83.8	83.8	86.7	87.0	87.9	88.8	90.5	91.7	93.6	96.2	95.8	92.1	90.0				132.4
OVERALL CALCULATED	2500	82.8	84.1	85.0	84.7	85.6	86.9	87.4	89.4	91.5	92.8	93.7	93.4	89.6	87.7				130.9
PND	3150	81.3	83.4	84.3	85.2	85.3	86.8	86.8	88.9	90.6	92.1	92.2	91.1	87.6	86.1				129.9
	4000	79.4	81.7	82.7	83.8	84.9	86.3	87.1	88.7	91.2	91.6	91.2	88.0	84.8	82.7				129.3
	5000	79.7	82.5	83.8	84.3	85.0	86.6	87.8	90.0	91.8	93.5	90.7	88.1	84.0	82.1				130.1
	6300	80.0	83.0	84.5	85.3	86.9	87.7	88.9	91.1	92.5	95.4	91.8	87.9	85.1	81.8				131.4
	8000	80.2	84.0	85.0	86.0	87.7	89.1	89.2	92.2	93.0	96.4	92.9	88.4	85.6	82.6				132.5
	10000	79.2	83.4	85.2	86.3	87.7	88.9	89.0	91.8	93.9	96.4	93.1	88.0	85.7	83.0				132.9
	12000	77.6	82.6	85.0	86.7	87.6	88.3	88.9	91.0	91.7	94.3	92.2	87.4	84.6	82.2				132.0
	16000	75.5	80.3	82.0	83.6	85.8	86.0	87.1	88.6	90.7	91.6	89.5	84.5	81.8	79.6				130.2
	20000	72.5	77.8	79.3	80.8	81.8	82.8	84.4	85.9	87.5	88.5	85.7	81.5	78.5	76.3				127.6
	25000	69.0	75.5	77.5	78.6	79.4	80.6	81.7	83.5	84.0	85.1	81.0	77.7	75.8	74.2				125.0
	31500	65.9	71.5	73.5	75.0	75.3	77.3	78.6	80.3	80.5	82.2	78.1	75.7	74.5	71.4				122.4
	40000	63.1	68.1	70.6	72.1	72.4	73.0	74.7	76.1	76.7	79.3	74.7	74.6	74.3	71.6				119.8
	50000	61.1	64.6	68.4	69.4	69.6	69.9	71.6	73.1	73.1	80.2	74.2	77.2	76.3	73.6				120.2
	63000	59.9	61.4	66.5	68.2	69.3	68.3	69.8	71.3	69.3	82.4	75.8	79.4	79.1	76.2				123.3
	80000	59.3	57.9	65.4	67.2	69.7	68.8	70.6	70.3	66.7	84.4	77.5	80.5	80.5	77.4				127.7
OVERALL MEASURED																			148.1
OVERALL CALCULATED		96.4	97.2	98.1	98.4	99.5	100.6	101.5	103.7	105.4	107.9	109.3	112.0	113.5	112.6				
PND		107.6	108.9	109.7	110.2	110.9	112.2	112.9	115.0	116.9	119.1	119.7	120.5	121.1	119.5				

407

ORIGINAL PAGE IS
OF POOR QUALITY

SPL INPUT AT STD REV: ALPHA 12/73	FREQ.	ANGLES FROM INLET IN DEGREES (AND RADIANS)															PWL		
		30, (0.52)	40, (0.70)	50, (0.87)	60, (1.05)	70, (1.22)	80, (1.40)	90, (1.57)	100, (1.75)	110, (1.92)	120, (2.09)	130, (2.27)	140, (2.44)	150, (2.62)	160, (2.79)	0, (0)		0, (0)	0, (0)
NO EGA	50	71.8	71.6	72.6	72.2	71.7	72.1	71.6	72.8	74.4	75.8	79.0	81.8	85.1	86.9				119.0
RDG. NO. 01	63	74.6	73.8	74.6	74.7	74.5	75.9	76.0	76.9	77.1	79.8	82.3	85.4	89.0	90.6				122.6
RADIAL 40. FT.	80	75.4	76.1	76.5	76.4	76.0	76.7	78.3	79.1	79.6	82.1	86.0	89.1	91.8	94.4				125.7
(12. M)	100	78.6	78.9	79.9	78.6	78.4	80.1	81.9	84.3	85.0	87.4	89.9	94.5	98.3	98.7				130.8
VEHICLE JENOTS	125	81.2	80.2	79.7	79.7	79.7	82.9	85.4	86.7	86.9	90.2	92.4	96.8	99.8	101.0				132.9
CONFIG JE-063	160	87.1	82.9	82.9	84.1	83.9	85.9	87.6	88.4	91.4	92.9	93.9	97.9	100.6	101.8				134.3
LOC EYENDALE	200	85.8	85.0	84.0	84.5	85.5	86.8	87.5	90.3	90.8	94.3	97.6	100.9	103.5	105.5				137.1
DATE 05-09-75	250	88.3	87.5	87.0	87.3	87.3	88.0	88.8	90.0	90.0	97.0	100.0	103.3	106.2	105.1				139.0
RUN DBTF-MODEL 9	315	90.0	87.5	87.3	89.0	90.0	90.7	89.3	94.5	94.5	98.3	102.8	104.9	108.9	110.3				141.8
TAPT X90230	400	86.9	84.4	90.0	87.9	89.4	89.9	91.5	94.1	96.3	99.6	100.5	107.0	110.9	108.1				142.4
BAR 29.4 HG	500	87.6	88.3	89.3	88.3	88.4	90.1	92.7	94.2	95.7	97.4	100.2	106.4	108.3	105.8				140.8
(99347, N/M2)	630	88.1	88.5	89.5	88.0	89.7	89.5	92.6	94.6	97.2	98.5	102.5	107.1	108.2	107.1				141.5
TAMB 75, DEG F	800	87.0	88.7	88.9	89.5	90.5	90.8	92.4	95.4	97.3	100.8	102.5	104.5	103.5	104.5				139.7
(297, DEG K)	1000	87.8	87.1	89.5	89.2	90.0	91.4	93.2	94.8	96.9	100.6	102.0	104.4	101.6	99.4				138.9
TWET 60, DEG F	1250	87.0	88.7	89.6	90.0	90.5	91.4	93.2	95.4	96.4	100.1	102.6	102.7	99.4	95.7				138.3
(289, DEG K)	1600	86.6	89.2	88.9	90.2	90.8	92.2	93.3	95.5	96.6	99.0	100.8	101.0	97.6	93.2				137.2
HACT 0, GM/M3	2000	87.8	88.3	87.8	90.9	91.5	92.1	93.3	95.1	96.5	98.9	100.2	99.8	96.3	92.5				136.8
(, KG/M3)	2500	86.8	88.6	89.3	89.2	90.4	90.9	92.9	94.6	96.8	97.8	98.2	98.2	95.1	91.5				135.8
FREQ. SHIFT	3150	86.3	88.1	89.5	90.5	91.3	92.3	93.0	94.6	96.1	97.9	98.2	97.6	95.1	91.9				135.8
JFT 0	4000	84.9	87.7	89.2	90.3	91.1	92.3	93.3	95.2	96.6	97.6	97.2	96.5	94.0	91.7				135.7
DIAMETER RATIO	5000	85.0	88.0	89.6	91.1	91.3	92.8	93.8	96.5	99.3	99.2	96.4	96.4	93.5	91.6				136.7
DF/DH 1.00	6300	85.7	89.3	91.5	92.6	93.9	95.4	95.6	98.1	100.5	99.9	96.6	95.7	93.1	91.1				137.9
	8000	86.7	90.5	92.5	94.0	95.7	97.1	97.5	100.9	102.5	101.4	96.6	95.2	93.1	90.9				139.8
	10000	88.5	91.7	94.2	95.3	97.2	98.4	99.2	102.3	103.9	102.6	98.1	95.5	93.2	91.5				141.5
	12500	88.6	92.1	94.5	95.9	97.3	99.1	100.6	102.7	104.2	104.0	99.4	96.6	93.8	91.5				142.5
	16000	86.7	90.0	92.8	93.8	96.5	98.0	98.9	101.4	102.7	102.1	99.2	96.0	93.3	90.4				141.6
	20000	83.5	87.6	90.0	91.6	93.1	94.5	95.7	97.4	98.8	98.5	95.5	93.2	89.5	86.6				138.5
	25000	80.8	85.2	87.7	89.4	90.1	91.4	92.5	94.8	95.8	95.6	90.5	87.4	85.3	82.7				135.8
	31500	76.7	81.5	84.3	86.0	86.8	88.8	89.9	91.8	92.2	92.2	87.6	84.5	82.0	78.4				133.2
	40000	73.4	78.1	80.3	82.6	83.2	84.2	85.9	87.6	88.9	88.3	82.4	80.4	79.1	75.8				130.1
	50000	70.4	73.9	76.6	78.9	78.6	81.4	82.4	84.6	85.3	86.2	79.5	79.2	78.0	75.1				128.1
	63000	69.2	70.4	72.5	74.7	74.8	79.0	80.5	82.3	83.0	85.7	78.0	79.9	79.1	76.7				128.3
	80000	68.8	67.3	68.1	70.7	71.9	79.3	80.8	81.0	79.9	86.2	78.5	81.5	80.5	78.2				131.1
OVERALL MEASURED																			
OVERALL CALCULATED		100.8	102.3	103.9	104.8	106.1	107.4	108.5	110.9	112.6	113.3	113.3	115.6	117.1	116.3				153.2
PND8		112.0	113.5	114.7	115.5	116.6	117.8	118.6	121.0	123.0	123.9	124.1	124.9	125.4	123.9				

408

SPL INPUT AT STD REV. ALPHA 12/73	ANGLES FROM INLET IN DEGREES (AND RADIANS)																PHL	
	30.	40.	50.	60.	70.	80.	90.	100.	110.	120.	130.	140.	150.	160.	0.	0.		0.
FREQ.	(0.52)	(0.70)	(0.87)	(1.05)	(1.22)	(1.40)	(1.57)	(1.75)	(1.92)	(2.09)	(2.27)	(2.44)	(2.62)	(2.79)	(0.	(0.	(0.	
NO EGA	63	77.1	77.1	77.6	78.5	78.5	78.9	78.5	79.4	80.4	85.1	87.1	89.9	93.5	95.8			122.8
RDG. NO. 01	80	79.1	80.1	80.3	79.9	80.0	80.7	81.8	82.8	83.6	86.4	90.5	94.4	97.3	99.6			127.1
RADIAL 40. FT.	100	83.6	83.1	83.6	83.1	82.6	84.1	86.2	88.1	88.5	91.1	93.9	98.3	102.8	103.4			130.8
(12. M)	125	86.2	84.7	84.4	85.4	84.7	87.4	89.9	89.7	91.4	93.9	96.7	101.3	104.3	105.5			135.1
VEHICLE JENOTS	160	90.6	88.4	88.4	87.9	87.9	89.9	92.1	92.4	94.6	97.1	98.9	102.1	104.6	105.6			137.3
CONFIG JE-063	200	90.8	89.0	88.0	88.5	89.0	91.0	91.5	93.0	94.5	98.3	102.3	106.4	108.7	109.5			138.4
LOC EVENDALE	250	93.0	92.3	91.3	91.3	90.5	92.0	92.0	93.5	99.0	100.5	105.3	108.3	111.4	108.1			141.8
DATE 05-09-75	315	94.3	91.8	91.5	92.3	93.8	94.2	92.8	97.5	97.3	101.5	107.3	109.4	113.7	112.3			143.6
RUN DBTF-MODEL 9	400	90.9	88.9	93.5	91.6	92.9	93.4	95.0	97.6	99.0	102.8	104.8	110.3	114.9	110.6			145.7
TAPE X90250	500	93.1	92.8	93.6	92.0	93.4	94.6	96.4	98.2	99.4	102.2	105.0	111.1	112.3	111.3			146.0
BAR 29.4 HG	630	94.1	93.0	93.7	91.5	93.5	94.0	96.1	98.4	100.9	103.2	107.7	110.6	114.7	114.3			147.0
(99347, N/M2)	800	93.0	93.4	93.9	94.3	94.8	95.0	96.7	99.9	101.3	105.5	107.5	109.5	110.0	111.0			145.1
TAMB 74. DEG F	1000	93.8	92.1	94.0	92.9	93.5	95.4	97.2	99.3	101.6	105.3	107.5	108.9	108.1	107.2			144.1
(296, DEG K)	1250	92.5	92.9	93.6	93.8	94.7	95.7	97.9	99.7	101.4	104.9	107.6	106.7	105.4	103.9			143.1
THET 58. DEG F	1600	91.6	93.5	92.7	93.7	94.8	96.5	98.0	100.2	102.1	104.5	106.3	105.3	103.6	102.2			142.4
(288, DEG K)	2000	92.6	92.3	92.0	94.9	95.5	97.1	98.0	100.1	101.7	104.1	105.7	105.3	103.6	101.5			142.2
HACT 0. GH/M3	2500	92.1	92.8	93.5	93.2	94.4	96.2	97.4	100.1	102.0	103.6	104.7	104.9	103.6	100.7			141.8
(, KG/M3)	3150	92.3	92.9	93.0	94.2	95.1	96.3	97.5	99.9	102.3	103.9	104.4	105.4	103.8	100.9			142.0
FREQ. SHIFT	4000	90.9	92.2	92.0	94.0	95.1	96.6	97.1	100.4	104.2	103.6	103.3	104.8	104.2	99.7			142.1
JET 0	5000	90.7	92.0	92.3	94.1	95.3	97.1	98.3	101.5	104.8	103.5	103.7	104.9	103.0	98.8			142.4
DIAMETER RATIO	6300	90.2	92.8	93.7	95.6	96.6	98.4	99.1	102.3	105.0	103.1	103.1	103.7	101.8	97.3			142.5
DF/DM 1.00	8000	89.9	93.5	94.0	96.2	98.5	99.6	100.0	103.9	106.6	102.4	101.4	101.9	99.9	95.9			142.9
	10000	91.0	93.4	94.7	97.0	99.0	100.6	101.5	105.3	106.6	102.4	100.6	99.7	97.9	94.5			143.7
	12500	90.6	93.9	95.0	96.7	99.3	100.8	102.4	104.7	106.4	103.3	100.4	98.9	96.6	93.0			144.0
	16000	89.2	92.5	93.8	95.8	98.3	100.0	101.1	102.9	104.7	101.6	98.7	96.8	94.3	90.9			142.9
	20000	86.8	90.3	91.5	94.1	95.8	96.5	98.4	99.7	101.8	98.3	96.2	94.2	91.5	87.8			140.4
409	25000	83.8	87.5	88.7	91.6	92.9	94.4	95.7	97.3	98.8	95.8	92.0	90.9	89.3	84.7			138.2
	31500	79.7	83.5	85.3	87.7	88.5	91.8	92.6	93.8	95.5	93.2	89.8	88.2	87.0	82.2			135.6
	40000	76.4	79.8	81.6	84.6	85.4	86.2	88.2	90.8	92.4	89.8	85.9	85.9	84.8	81.8			132.9
	50000	72.6	75.4	77.6	80.9	81.6	83.1	85.1	87.6	89.1	90.0	85.0	86.9	86.5	83.9			131.9
	63000	70.7	71.9	73.5	78.5	80.3	80.8	82.8	85.1	86.8	91.9	86.0	88.9	88.6	86.0			133.8
	80000	69.8	68.1	68.9	76.7	79.9	79.3	81.3	82.8	82.9	93.9	87.5	90.2	90.5	87.7			137.7
OVERALL MEASURED																		157.3
OVERALL CALCULATED		105.4	106.0	106.6	107.7	109.1	110.5	111.7	114.3	116.4	116.6	118.2	120.3	122.3	120.9			
PND8		117.3	117.8	118.1	119.1	120.1	121.3	122.5	125.3	128.0	128.5	129.8	131.2	131.2	129.6			

ORIGINAL PAGE IS
OF POOR QUALITY

SPL INPUT AT STD REV: ALPHA 12/73	FREQ	ANGLES FROM INLET IN DEGREES (AND RADIAN)																		PWL
		30	40	50	60	70	80	90	100	110	120	130	140	150	160	0	0	0		
NO EGA	50	59.3	59.6	59.6	60.4	61.2	61.8	61.6	62.5	63.6	63.8	64.8	66.0	69.6	71.4				105.2	
RDG; NO. 31	63	60.8	61.8	62.2	64.2	64.5	69.4	66.0	66.4	66.4	67.3	67.8	69.9	73.7	74.8				109.1	
RADIAL 40. FT. (12. M)	80	62.1	63.9	64.8	64.9	65.5	65.4	66.6	67.6	69.1	69.6	71.5	74.1	77.0	78.9				111.6	
VEHICLE JENOTS	100	65.1	65.9	66.9	66.6	67.1	68.6	70.4	72.1	73.2	74.9	76.1	79.8	83.3	84.2				116.7	
CONFIG JE-063	125	68.2	67.4	67.2	68.4	68.7	71.4	73.9	74.7	75.4	77.9	79.7	82.3	85.5	88.0				119.6	
LOC. EVENDALE	160	73.1	70.4	70.4	72.1	72.1	74.6	76.6	77.1	78.9	80.4	81.1	83.9	86.6	88.3				121.1	
DATE 05-09-75	200	74.8	74.0	73.5	74.0	74.5	76.3	76.8	78.5	79.0	82.0	83.6	86.6	89.5	92.8				123.9	
RUN DBTF-MODEL 9	250	77.0	78.0	76.5	77.8	77.5	78.0	78.0	80.0	80.5	84.8	85.3	87.3	88.8	92.4				126.5	
TAP X90420	315	81.0	79.0	79.5	80.3	81.3	81.9	80.8	84.5	84.8	86.0	88.3	89.9	94.4	98.8				129.1	
BAR 29.4 HG (99246 N/M2)	400	92.7	87.2	91.3	93.4	95.2	90.7	95.3	96.6	95.6	91.8	87.8	91.3	97.7	98.4				135.3	
TAMP 79 DEG F (299 DEG K)	500	78.8	78.1	80.6	80.3	81.0	80.9	83.0	83.5	84.2	84.4	86.0	91.9	93.8	93.8				127.0	
TWET 61 DEG F (289 DEG K)	630	77.6	78.7	80.7	79.2	80.7	80.8	82.1	82.9	84.4	84.2	86.7	90.6	93.7	96.6				128.0	
HACT 0 G4/M3 (KG/M3)	800	78.5	82.2	80.4	82.8	81.5	80.3	81.4	83.4	84.5	87.3	89.0	91.3	92.2	94.7				127.9	
FREQ SHIFT	1000	80.1	79.4	81.5	80.9	80.8	81.7	82.2	83.6	84.9	86.8	88.0	91.9	91.1	91.2				127.2	
JCT 0	1250	78.3	79.2	80.4	79.3	80.5	81.2	82.4	83.9	84.2	86.6	88.9	91.0	89.9	87.7				126.5	
DIA METER RATIO DF/DM 1.00	1600	77.6	79.0	78.9	79.5	80.1	80.7	81.8	83.5	84.1	85.8	88.1	89.5	87.6	85.2				125.5	
	2000	78.6	77.3	77.5	79.7	80.2	80.9	81.0	82.8	84.0	84.9	87.2	88.8	85.6	83.0				124.7	
	2500	77.6	77.8	78.3	77.4	78.8	79.7	80.4	82.1	83.0	84.6	85.2	87.4	83.6	80.5				123.6	
	3150	75.5	76.6	77.3	77.4	78.1	78.3	78.8	80.9	81.5	83.9	84.7	86.4	82.6	79.1				122.6	
	4000	74.4	75.7	76.2	76.8	77.1	78.3	78.6	80.4	80.8	82.9	83.0	83.8	79.3	76.5				121.4	
	5000	73.7	75.0	75.6	75.8	76.8	77.6	78.5	80.3	81.1	83.0	83.2	82.6	78.2	75.8				121.1	
	6300	72.4	75.3	75.2	75.8	76.8	77.4	77.4	79.3	80.0	81.4	81.6	81.1	77.3	74.8				120.2	
	8000	71.4	74.7	74.7	75.4	76.4	77.0	77.2	79.1	79.4	81.1	81.3	79.7	76.1	74.3				120.0	
	10000	70.4	73.4	74.6	74.7	75.9	76.3	76.4	78.2	79.3	80.3	80.6	78.4	75.4	73.7				119.6	
	12500	68.0	71.6	72.2	73.1	74.0	74.5	75.1	76.4	76.6	78.9	78.8	77.8	74.0	71.9				118.2	
	16000	65.2	68.7	69.4	70.3	72.2	72.2	73.2	74.5	74.3	76.0	76.4	76.3	71.7	69.3				116.4	
	20000	60.9	65.5	65.9	67.3	68.3	68.5	69.3	71.1	71.7	73.0	72.4	71.6	68.2	65.7				113.3	
	25000	57.5	62.2	62.4	64.8	65.3	66.0	66.7	68.4	68.4	69.8	67.5	67.6	66.0	63.4				110.6	
	31500	54.1	57.9	58.2	61.9	63.0	63.8	64.6	65.3	64.4	67.4	65.3	65.2	64.0	61.1				108.4	
	40000	54.1	55.3	55.6	61.6	63.2	62.5	63.4	63.1	61.7	66.7	61.9	64.1	64.3	61.3				107.9	
	50000	56.2	54.6	53.9	63.7	65.1	63.6	65.6	65.1	61.6	69.5	63.2	66.7	65.8	63.7				110.9	
	63000	58.2	55.9	55.1	66.3	67.6	66.1	68.1	67.9	63.8	72.0	65.8	69.0	68.9	66.5				115.3	
	80000	58.9	56.5	55.8	67.0	69.3	68.4	69.7	69.6	65.8	74.8	67.3	70.8	70.3	68.3				120.3	
OVERALL MEASURED																				
OVERALL CALCULATED		94.4	92.1	94.1	95.5	96.8	94.6	97.3	98.7	98.7	98.3	99.1	101.6	103.6	105.2				140.0	
PND8		104.1	102.5	104.2	105.3	106.5	105.0	107.2	108.8	108.9	109.4	110.3	112.1	112.1	112.3					

410

MODEL	SOUND PRESSURE LEVELS (59, DEG F, 70 PERCENT REL. HUM, DAY - JENOTS)																PWL		
	ANGLES FROM INLET IN DEGREES (AND RADIANS)																		
SPL INPUT AT STD REV. ALPHA 12/73	FREQ	30	40	50	60	70	80	90	100	110	120	130	140	150	160	0	0	0	PWL
NO EGA	63	61.3	61.8	61.9	61.9	63.0	63.6	63.6	64.5	65.4	66.1	66.8	68.3	71.6	73.4				107.2
RDG. NO.	80	64.1	65.4	66.5	66.4	67.0	67.2	67.3	67.7	67.9	69.1	70.6	72.1	76.0	77.3				110.9
RADIAL 40 FT. (12. M)	100	66.4	67.1	68.1	68.1	68.4	69.9	72.2	73.8	74.7	75.6	76.9	81.3	84.8	86.2				118.2
VEHICLE JENOTS	160	74.4	71.4	71.4	72.4	72.6	75.1	77.3	77.9	80.4	81.4	81.9	85.4	88.6	89.8				121.0
CONFIG JE-063	200	75.3	74.8	74.0	74.5	74.8	76.3	77.0	78.8	80.0	82.5	83.8	86.9	89.5	93.8				122.5
LOC EVENDALE	250	78.3	78.0	77.8	78.0	78.3	78.8	79.0	80.5	86.3	85.8	87.5	88.5	92.7	94.4				126.8
DATE 05-09-75	315	80.3	79.0	79.0	79.8	81.0	82.4	80.5	83.3	85.3	86.5	86.3	89.6	94.2	98.3				128.9
RUN DBTF-MODEL 9	400	79.4	76.2	80.1	78.9	80.2	80.0	80.8	83.0	84.1	86.3	85.0	91.0	94.5	94.4				127.6
TAPE X90430	500	92.1	90.3	91.6	88.3	82.2	88.4	89.0	91.0	91.4	91.2	94.0	96.6	93.6	97.3				132.9
BAR 29.4 HG (99246, N/M2)	800	78.3	79.7	81.7	79.5	81.2	80.3	81.6	83.6	84.2	84.7	87.2	91.1	93.7	95.6				127.9
TAMR 79 DEG F (299, DEG K)	1000	79.5	81.9	81.9	82.5	82.5	81.5	81.7	84.4	85.0	87.8	89.2	91.3	92.0	94.0				128.0
TWET 61 DEG F (289, DEG K)	1250	86.3	86.4	87.5	86.7	86.5	88.4	89.7	87.6	86.7	88.3	89.2	91.7	92.1	91.4				129.7
HACT 0, GM/H3 (, KG/H3)	1600	77.8	79.7	80.6	80.6	80.5	81.2	82.9	84.2	84.7	86.6	88.9	90.2	89.9	86.9				126.4
FREQ SHIFT	2000	77.8	78.3	77.5	80.2	80.5	80.9	81.3	83.3	83.2	84.6	86.9	88.5	85.1	81.8				125.3
JET 0	2500	77.0	78.1	78.3	77.9	78.6	79.4	80.2	81.9	83.0	84.6	85.0	86.7	82.6	79.0				123.3
DIAMETER RATIO DF/DM 1.00	3150	75.8	76.9	77.3	78.2	78.1	78.8	79.3	81.1	82.0	83.9	84.4	85.4	81.1	77.9				122.4
	4000	75.6	76.7	76.4	77.0	77.9	79.3	78.8	80.4	81.8	83.4	84.0	83.3	79.0	76.2				121.8
	5000	75.0	76.2	76.8	77.6	77.8	78.8	78.8	81.0	82.1	83.5	83.9	82.8	78.2	76.1				121.9
	6300	73.9	76.8	76.5	77.6	78.1	79.2	78.4	80.6	81.0	82.1	82.8	81.4	77.8	76.5				121.3
	8000	72.9	76.5	76.5	77.2	78.7	79.0	78.4	80.4	80.4	82.3	81.8	80.4	77.1	75.3				121.2
	10000	72.2	76.1	76.9	77.7	78.1	78.6	77.9	79.7	80.3	81.1	81.6	78.4	76.6	75.7				121.0
	12500	70.5	74.8	75.9	76.6	77.8	78.0	77.6	78.2	79.1	80.9	80.4	78.0	75.3	73.9				120.5
	16000	67.6	72.9	73.4	74.0	75.9	76.2	75.8	76.5	77.3	78.2	79.1	77.3	73.7	71.5				119.1
	20000	64.2	70.0	71.4	71.5	72.8	72.7	73.1	74.4	74.7	75.2	74.9	72.9	70.4	68.2				116.4
	25000	62.0	66.9	68.2	68.8	69.3	70.0	70.2	71.4	70.9	71.8	70.5	69.6	67.2	65.4				113.6
	31500	60.1	63.7	64.5	64.9	65.5	67.5	68.1	68.3	66.6	69.4	66.8	66.2	65.0	61.9				111.1
	40000	60.6	62.3	62.3	62.3	64.4	63.7	64.9	64.6	63.7	67.2	62.9	64.6	64.6	61.8				412.4
	50000	63.7	63.6	62.4	64.3	64.8	64.9	65.9	65.3	62.3	69.5	64.0	66.7	66.6	63.9				111.4
	63000	65.9	64.7	63.8	63.2	67.1	66.3	67.6	67.6	64.1	72.5	65.8	69.0	68.4	66.3				115.6
	80000	67.6	65.7	64.8	64.7	68.0	68.4	69.7	69.4	65.3	74.8	67.8	70.8	70.3	68.0				120.5
OVERALL MEASURED																			382.3
OVERALL CALCULATED		94.8	94.3	95.2	92.3	93.5	95.1	94.2	96.9	97.8	98.7	100.2	102.3	103.0	104.9				
PND8		104.4	104.2	104.9	104.2	104.2	105.4	105.3	107.4	108.3	109.7	110.7	112.1	111.1	111.9				

ORIGINAL PAGE IS OF POOR QUALITY

SPL INPUT AT STD REV: ALPHA 12/73	FREQ	ANGLES FROM INLET IN DEGREES (AND RADIAN)																		PHL
		30	40	50	60	70	80	90	100	110	120	130	140	150	160	0	0	0		
	50	61.6	62.3	62.4	62.9	62.7	62.8	62.9	63.8	64.6	66.1	68.3	71.0	75.1	75.7				108.7	
NO EGA	63	63.6	63.8	64.4	66.2	66.3	68.4	66.3	67.4	68.1	70.1	71.8	76.1	79.0	80.3				112.8	
RDG; NO: 0	80	64.9	65.9	66.5	66.4	66.3	66.9	68.1	69.3	70.1	72.1	75.0	78.6	81.3	83.4				115.2	
RADIAL 40, FT, (12, M)	100	67.9	68.1	68.4	68.6	68.1	69.6	72.2	74.1	75.2	76.9	79.1	83.3	87.3	87.9				120.0	
VEHICLE JENOTS	125	70.7	69.7	69.4	70.2	69.9	73.4	75.6	76.4	77.7	80.2	82.4	86.3	89.5	90.5				122.7	
CONFIG JE-063	160	76.9	72.4	73.1	74.6	74.1	76.1	78.1	78.6	80.9	82.1	83.6	87.4	90.6	91.1				124.0	
LOC EVENDALE	200	76.8	76.0	74.8	75.5	75.5	77.3	77.5	79.5	81.3	84.3	86.8	89.9	92.5	94.5				126.3	
DATE 05-09-75	250	80.0	79.8	79.0	79.5	79.0	79.5	80.8	82.8	89.0	89.3	92.5	93.8	97.2	98.1				130.8	
RUN DBTF-MODEL 9	315	82.3	80.0	79.3	80.8	82.0	83.2	81.8	87.3	88.5	91.5	94.5	95.9	100.2	102.8				133.8	
TAPE X90460	400	85.1	81.7	84.0	84.9	85.1	85.7	92.5	90.3	90.8	93.6	93.5	99.8	102.9	102.6				135.8	
BAR 29.4 HG	500	90.6	88.3	86.8	90.8	88.2	91.1	99.4	93.7	88.7	88.9	91.0	100.1	99.6	102.6				136.6	
(99313, N/M2)	630	81.1	81.2	82.2	81.2	82.5	82.3	84.1	85.9	87.7	89.5	93.2	98.1	100.2	101.8				133.6	
TAMP 79, DEG F	800	80.0	82.2	81.9	82.3	82.3	83.4	83.4	86.9	88.0	91.0	93.7	96.0	96.0	100.2				132.0	
(299, DEG K)	1000	81.8	82.9	84.5	83.7	83.3	84.2	84.2	86.8	88.6	91.6	93.7	97.7	96.4	95.4				131.9	
THET 61, DEG F	1250	80.5	81.2	82.6	81.3	81.5	83.2	84.9	83.4	88.2	91.1	94.3	95.7	94.9	91.4				130.8	
(289, DEG K)	1600	78.8	81.0	80.9	81.0	81.8	83.5	84.3	86.2	87.3	90.3	93.1	93.5	91.6	88.7				129.2	
HACT 0, GM/M3	2000	78.8	79.1	78.8	81.2	82.2	82.6	83.5	85.6	87.0	89.6	91.9	92.5	89.1	86.3				128.2	
(, KG/M3)	2500	77.6	78.8	79.0	78.7	79.9	80.9	82.2	84.9	86.8	88.8	90.0	90.9	86.1	83.2				126.8	
FREQ; SHIFT	3150	76.8	77.4	70.3	79.0	79.6	80.6	81.3	83.9	85.3	88.1	89.2	88.9	85.3	81.4				125.8	
JFT 0	4000	74.9	75.9	76.7	77.3	78.4	79.6	80.6	82.7	85.2	87.1	87.0	85.8	82.2	78.0				124.3	
DIA METER RATIO	5000	74.5	75.3	75.8	76.8	77.8	79.1	79.8	82.5	83.8	86.0	85.9	84.4	79.5	76.3				123.5	
DF/DM 1.00	6300	73.5	75.3	75.7	76.1	77.6	78.4	79.1	81.3	82.5	84.1	84.3	82.4	78.1	75.1				122.1	
	8000	72.9	75.5	75.5	76.2	77.5	78.1	78.5	80.7	81.5	83.4	81.9	80.4	76.6	74.4				121.3	
	10000	71.5	73.9	74.9	75.3	76.5	77.4	77.2	79.3	80.6	81.1	80.6	78.0	74.7	72.8				120.5	
	12500	68.1	72.6	73.7	74.2	75.6	76.6	76.4	78.0	78.4	79.5	78.7	75.9	73.1	71.2				119.0	
	16000	65.5	70.0	71.0	71.8	73.3	74.0	74.1	75.9	75.9	76.6	76.0	74.0	71.0	69.1				117.0	
	20000	62.3	66.8	68.0	68.8	69.3	70.5	71.2	72.9	73.5	73.8	72.5	71.7	70.0	67.8				114.6	
	25000	58.5	64.0	64.7	66.1	66.9	67.6	68.7	69.8	69.8	69.8	68.8	71.2	71.3	69.5				112.5	
	31500	54.9	59.2	60.3	62.5	63.5	65.3	66.4	66.8	65.5	68.4	65.3	71.7	71.8	68.2				111.1	
	40000	54.1	56.6	56.8	63.4	63.4	62.7	64.2	63.8	63.0	68.0	62.5	72.1	72.8	70.1				111.3	
	50000	55.9	55.3	55.1	63.4	64.8	64.1	65.9	65.1	62.1	70.7	63.7	75.4	75.5	73.4				114.8	
	63000	57.9	56.1	55.3	67.0	67.5	66.3	67.8	67.6	63.8	73.7	65.5	78.4	78.4	76.0				119.5	
	80000	59.3	56.4	55.4	66.9	69.2	68.3	69.8	69.3	65.4	75.4	67.5	79.5	79.5	77.7				123.9	
OVERALL MEASURED		94.4	93.5	93.7	95.0	94.6	96.0	101.3	99.2	99.7	102.0	104.1	107.4	108.7	110.0				143.7	
OVERALL CALCULATED		104.1	103.7	104.1	105.1	105.3	106.4	110.4	109.6	111.1	113.3	114.7	116.2	116.6	116.3					
PND8																				

412

SPL INPUT AT STD REV. ALPHA 12/73	FREQ.	ANGLES FROM INLET IN DEGREES (AND RADIANS)																PHL	
		30, (0.52)	40, (0.70)	50, (0.87)	60, (1.05)	70, (1.22)	80, (1.40)	90, (1.57)	100, (1.75)	110, (1.92)	120, (2.09)	130, (2.27)	140, (2.44)	150, (2.62)	160, (2.79)	0, (0)	0, (0)		0, (0)
NO EGA	50	70.6	69.6	70.4	68.9	67.7	66.6	66.4	67.0	67.6	69.3	70.5	72.8	76.1	77.7				111.6
RDG. NO. 01	63	73.8	70.6	70.9	70.2	68.5	70.6	68.0	69.7	69.6	72.8	75.1	76.6	80.2	81.8				114.9
RADIAL 40. FT.	80	75.1	70.9	71.5	70.9	69.3	69.2	70.3	71.3	71.8	74.6	77.5	80.6	83.0	84.9				117.4
(12. M)	100	72.1	71.9	72.9	71.9	70.6	72.4	73.9	75.8	76.7	78.9	81.4	85.5	88.8	89.4				121.8
VEHICLE JENOTS	125	83.9	72.7	73.2	72.9	72.2	74.9	77.4	78.4	79.2	82.2	84.2	87.8	90.3	91.8				124.3
CONFIG JE-063	160	93.4	76.6	75.1	77.4	77.1	78.6	80.3	80.6	83.4	84.9	86.9	89.6	92.1	93.1				127.4
LOC EVENDALE	200	82.3	78.8	77.8	78.3	78.3	80.0	79.8	82.0	84.0	88.5	91.6	94.4	96.0	97.3				130.0
DATE 05-09-75	250	82.0	80.5	80.5	80.5	80.8	81.0	82.0	84.0	90.5	91.3	95.3	96.8	99.4	99.6				133.0
RUN D8TF-MODEL 9	315	84.8	82.5	82.3	83.0	84.5	85.4	84.3	89.8	91.5	96.0	98.8	100.1	103.9	106.0				137.4
TAPF X90490	400	85.4	81.2	89.6	87.7	89.2	88.2	90.6	94.1	94.6	97.1	98.8	104.5	106.7	105.4				139.5
BAR 29.4 HG	500	86.1	85.3	85.8	83.5	84.5	85.4	89.0	89.3	90.7	91.9	95.5	102.9	104.8	101.1				136.9
(99246 N/M2)	630	86.3	85.2	86.7	85.2	86.7	87.3	88.9	90.9	92.4	94.0	98.7	104.3	105.7	105.8				138.8
TAMP 79, DEG F	800	85.8	84.4	86.3	85.9	86.0	87.4	88.7	90.6	93.1	96.3	99.5	102.7	102.9	102.9				137.4
(299, DEG K)	1000	84.8	85.2	86.6	85.6	86.2	86.9	89.4	91.7	92.7	96.1	99.6	101.5	101.9	99.7				136.5
THET 61, DEG F	1250	83.3	85.2	84.2	85.2	85.8	87.7	88.8	91.0	92.6	95.0	98.3	99.0	98.4	97.5				134.7
(289, DEG K)	1600	83.6	83.6	83.0	83.9	86.7	87.6	88.3	90.6	92.5	94.9	97.2	97.0	95.8	96.0				133.6
HACT 0, G4/M3	2000	82.3	83.3	83.5	83.4	84.8	85.7	87.2	90.1	92.0	94.3	95.0	96.2	93.4	93.0				132.3
(, KG/M3)	2500	80.5	81.6	81.8	83.2	83.6	85.3	86.5	88.9	90.3	93.9	94.2	94.4	92.6	90.4				131.2
FREQ. SHIFT	3150	78.1	79.9	80.2	81.5	82.9	84.3	85.6	87.9	90.3	92.6	92.0	91.3	88.3	86.2				129.5
JFT 0	4000	77.7	78.7	79.3	80.1	81.5	83.3	84.5	87.5	89.6	91.5	91.2	89.3	85.5	82.6				128.4
DIAMETER RATIO	6300	76.4	78.5	78.5	79.6	81.1	82.7	83.6	86.1	88.3	89.6	89.1	87.1	82.3	79.3				126.9
DF/DM 1.00	8000	75.4	77.7	78.2	78.9	79.9	81.5	82.2	84.9	86.7	88.1	86.8	84.7	80.3	77.6				125.6
	10000	73.9	76.9	77.1	77.7	78.9	80.1	81.2	84.0	85.6	86.3	85.6	82.2	78.4	75.7				124.5
	12500	72.0	74.6	75.4	75.9	77.0	78.5	79.8	81.7	83.1	84.7	82.8	80.0	75.8	73.6				122.8
	16000	69.2	71.7	71.9	72.8	75.3	76.2	77.6	79.5	80.8	81.7	79.9	77.7	74.3	71.0				120.7
	20000	64.9	68.2	68.7	69.5	70.8	72.5	74.3	76.1	78.2	78.5	77.1	74.6	71.2	68.7				118.0
415	25000	62.7	65.4	65.9	66.3	67.3	69.0	70.9	72.4	74.4	76.3	73.0	72.9	72.0	69.2				115.5
	31500	60.4	62.2	62.0	62.9	64.2	66.0	67.6	69.0	69.4	74.9	71.1	72.4	72.2	69.4				113.8
	40000	60.6	61.8	60.8	62.1	63.4	63.0	64.9	65.1	65.4	75.5	70.2	73.4	73.3	70.8				114.2
	50000	63.4	63.4	61.4	63.7	65.1	64.4	65.9	66.1	63.1	77.7	73.0	76.5	76.3	73.7				117.6
	63000	65.7	65.4	63.8	66.0	68.1	66.3	68.1	68.4	64.6	81.2	75.5	79.2	78.9	76.0				122.4
	80000	67.6	66.2	65.0	67.5	69.8	68.4	69.9	70.1	65.5	83.3	77.6	80.8	80.3	77.5				127.3
OVERALL MEASURED		98.0	95.5	96.7	96.5	97.4	98.2	99.7	102.2	103.9	106.6	109.0	112.2	113.5	113.6				147.7
OVERALL CALCULATED		107.3	107.2	107.7	108.1	108.9	110.1	111.4	113.9	115.8	118.3	119.6	121.1	121.3	120.8				

ORIGINAL PAGE IS OF POOR QUALITY

MODEL SOUND PRESSURE LEVELS (59, DEG, F, 70 PERCENT REL, HUM, DAY - JENOTS)

SPL INPUT AT STD REV: ALPHA 12/73	FREQ.	ANGLES FROM INLET IN DEGREES (AND RADIANS)																PWL	
		30, (0.52)	40, (0.70)	50, (0.87)	60, (1.05)	70, (1.22)	80, (1.40)	90, (1.57)	100, (1.75)	110, (1.92)	120, (2.09)	130, (2.27)	140, (2.44)	150, (2.62)	160, (2.79)	0, (0)	0, (0)		0, (0)
NO EGA	50	64.8	52.8	76.9	76.2	72.2	69.8	67.1	68.0	69.1	75.6	72.3	75.0	78.3	79.7				114.8
RDG: NO. 01	63	66.8	52.3	78.9	79.5	75.3	70.9	69.8	69.9	71.4	78.6	76.3	79.1	82.0	84.3				118.1
RADIAL 40. FT.	80	68.4	54.1	77.0	74.9	73.5	72.9	71.3	72.6	73.6	78.1	79.5	82.4	85.0	87.4				119.5
(12. M)	100	71.9	54.9	77.9	79.1	74.9	74.6	75.7	77.1	78.5	82.4	82.6	87.0	90.5	91.4				123.8
VEHICLE JENOTS	125	75.2	55.7	78.2	78.2	75.7	77.7	78.9	79.4	80.9	85.2	85.7	89.3	92.0	93.3				125.8
CONFIG JE-063	160	80.6	58.4	78.1	80.1	78.4	80.4	81.6	81.9	84.6	87.6	87.6	90.6	93.6	94.8				127.7
LOC EVENDALE	200	80.5	60.5	80.5	79.8	79.5	80.0	81.0	83.0	84.8	89.0	91.3	94.6	97.0	98.8				130.7
DATE 05-09-75	250	83.0	63.3	83.0	82.0	81.5	82.0	82.5	85.0	90.8	91.8	94.8	96.8	100.2	100.4				133.4
RUN DBTF-MODEL 9	315	86.0	65.0	83.0	83.8	86.3	86.7	85.0	90.8	91.5	94.5	97.5	99.4	103.7	105.3				136.8
TAPT X90510	400	82.6	60.9	85.3	83.4	84.6	84.9	86.8	89.6	91.6	95.3	95.5	101.3	104.2	102.8				136.6
BAR 29.4 HG	500	84.6	64.8	86.1	84.0	85.2	85.6	88.4	89.2	89.9	92.4	95.2	101.9	104.3	100.8				136.3
(29313, N/M2)	630	85.6	66.0	87.7	85.5	87.7	87.5	89.4	89.9	92.4	93.7	97.7	102.6	104.7	104.6				137.7
TAMP 75, DEG F	800	84.2	65.2	85.1	85.5	86.0	85.3	86.7	89.6	91.3	95.3	97.5	100.8	101.0	103.0				135.9
(297, DEG K)	1000	85.8	64.6	86.8	85.7	85.8	86.9	88.7	90.3	92.4	95.3	97.7	100.7	98.6	97.2				135.0
TWET 60, DEG F	1250	84.2	64.9	86.1	84.8	85.5	86.4	86.7	90.2	91.4	95.1	98.6	100.0	96.9	94.7				134.5
(289, DEG K)	1600	81.8	64.0	84.4	84.7	85.6	87.2	88.0	89.7	91.1	93.8	96.8	97.0	94.4	91.5				132.7
HACT 0, GH/M3	2000	82.6	61.8	82.8	85.2	86.0	86.4	87.0	89.3	90.7	93.1	95.2	95.3	92.1	90.5				131.5
(, KG/M3)	2500	81.1	61.8	82.5	82.2	83.4	84.4	85.9	88.4	90.0	91.8	93.2	93.4	89.1	87.5				129.9
FREQ. SHIFT	3150	79.3	60.6	82.0	82.5	82.6	84.3	85.0	87.6	89.1	91.4	92.2	90.9	86.8	84.9				128.8
JET 0	4000	77.9	59.4	80.7	81.3	82.1	83.3	84.6	86.4	87.8	90.4	89.8	87.5	84.2	81.5				127.3
DIAMETER RATIO	5000	77.2	59.0	80.8	81.3	81.8	83.1	84.5	86.8	88.6	90.5	89.2	86.9	81.5	80.1				127.2
DF/DH 1.00	6300	76.2	59.5	80.7	81.8	82.4	83.7	84.6	86.8	88.3	90.1	88.8	85.9	81.6	79.1				127.2
	8000	75.4	59.5	81.8	82.0	82.5	83.8	84.2	85.9	88.2	89.6	88.9	84.9	80.6	78.6				127.2
	10000	73.5	58.9	80.9	81.8	82.2	83.4	83.2	85.8	86.4	87.9	87.6	83.5	80.2	78.5				126.4
	12500	71.8	57.4	80.5	80.4	81.6	82.3	82.9	84.2	84.7	87.0	85.4	81.6	78.8	77.0				125.4
	16000	68.7	55.3	78.0	78.6	79.8	80.5	80.6	82.4	83.4	85.3	82.5	78.5	76.5	75.1				123.8
	20000	66.3	53.3	76.5	76.6	77.1	77.3	78.2	79.7	80.8	82.8	79.7	76.0	74.0	72.8				121.7
	25000	62.8	52.0	74.5	74.9	74.4	74.9	75.5	77.3	78.5	83.1	76.3	74.2	73.3	71.7				120.6
	31500	58.9	50.7	74.5	70.5	69.8	72.3	72.9	74.1	74.0	81.9	74.1	73.5	73.3	70.2				119.1
	40000	59.4	48.3	74.3	73.4	69.2	67.7	68.9	71.1	70.4	82.8	71.9	73.6	73.8	71.1				119.6
	50000	57.9	50.1	75.6	73.1	69.1	66.1	67.9	69.6	67.1	84.0	73.7	76.7	76.3	73.9				121.7
	63000	60.2	47.6	73.0	70.0	70.5	67.5	68.5	74.1	66.3	83.2	75.8	79.2	78.6	76.0				123.8
	80000	59.5	48.9	72.6	71.9	70.2	68.3	70.1	72.3	66.2	85.9	77.5	81.2	80.0	77.7				128.8
OVERALL MEASURED																			
OVERALL CALCULATED		95.3	75.9	97.2	96.8	97.4	98.1	99.3	101.4	103.0	105.8	107.7	110.6	112.0	111.8				146.4
PND8		105.9	86.7	108.2	108.3	108.8	109.8	110.7	113.0	114.6	117.1	118.3	119.2	119.2	118.7				

MODEL SOUND PRESSURE LEVELS (59. DEG. F, 70 PERCENT REL. HUM. DAY - JENOTS)

ANGLES FROM INLET IN DEGREES (AND RADIANs)

SPL INPUT AT STD	30	40	50	60	70	80	90	100	110	120	130	140	150	160	0.	0.	0.	PWL
REV. ALPHA 12/73	FREQ. (0.52)	(0.70)	(0.87)	(1.05)	(1.22)	(1.40)	(1.57)	(1.75)	(1.92)	(2.09)	(2.27)	(2.44)	(2.62)	(2.79)	(0.)	(0.)	(0.)	
NO EGA	50	63.1	63.8	63.9	64.4	64.7	66.3	68.1	69.3	70.9	73.1	71.5	73.3	76.1				112.9
RDG. NO. 0.	80	67.4	67.4	67.8	68.9	69.3	70.4	72.1	73.1	74.8	75.9	77.2	80.1	84.0				119.0
RADIAL 40. FT.	100	69.2	69.4	70.7	71.2	72.2	73.7	76.5	77.6	79.5	80.7	81.4	86.3	91.0				128.8
(12. M)	125	71.7	70.7	72.5	74.7	74.5	77.7	81.4	80.5	82.2	84.5	86.0	91.1	95.0				133.4
VEHICLE JENOTS	160	76.4	76.2	75.4	78.2	77.9	81.4	84.1	82.9	85.2	86.7	87.9	93.7	97.9				155.3
CONFIG JE-000	200	78.3	79.0	76.5	78.5	78.8	82.0	82.0	82.0	83.8	86.0	87.8	93.9	97.0				135.3
LOC - EVENDALE	250	80.0	82.0	79.3	80.5	80.5	82.0	81.0	81.3	88.0	86.5	87.5	90.5	93.2				132.4
DATE 05-13-75	315	79.5	80.0	79.3	80.5	81.0	79.2	82.0	85.0	83.3	85.5	87.0	87.9	89.4				131.1
RUN DBTFMODEL1CA	400	72.9	69.7	74.1	75.2	76.7	81.5	77.8	78.3	79.6	81.1	78.0	81.3	85.0				122.6
TAPE - X10010	500	70.3	72.3	76.1	76.0	78.0	79.6	79.5	79.0	80.4	80.7	83.5	88.4	84.6				124.2
BAR 29.5 HG	630	75.3	76.0	75.5	75.2	79.0	79.3	79.4	80.4	81.9	82.7	85.5	91.8	91.2				126.9
(99516. N/M2)	800	78.2	80.4	80.1	80.8	81.0	82.8	84.7	85.9	86.3	89.0	91.0	96.3	95.2				131.6
TAMB - 59. DEG F	1000	79.3	79.4	82.3	79.9	80.3	83.2	84.4	85.1	88.9	91.8	91.2	91.2	91.6				129.9
(288. DEG K)	1250	80.5	81.7	83.6	85.5	84.0	85.7	86.7	86.9	89.4	89.9	90.3	92.2	90.4				130.1
TWET 55. DEG F	1600	79.8	80.0	80.4	82.2	83.1	84.2	85.0	85.2	85.1	86.7	87.3	87.9	83.9				127.1
(286. DEG K)	2000	80.1	79.6	79.5	83.1	82.9	81.6	85.0	85.1	88.0	87.9	89.1	90.7	87.1				128.3
HACT 8.91 GM/M3	2500	80.3	79.8	82.3	81.9	83.1	83.9	84.3	85.6	86.2	88.0	88.9	87.9	84.6				127.7
(.00891 KG/M3)	3150	77.5	79.8	80.7	81.4	81.5	81.2	83.8	84.8	85.7	87.8	87.8	88.5	85.2				127.2
FREQ.-SHIFT	4000	75.3	77.0	79.1	80.2	81.0	82.9	83.4	83.8	85.1	87.8	86.1	84.6	82.6				126.1
JET 0	5000	76.6	78.4	79.2	80.4	80.9	80.7	83.4	84.4	85.7	87.1	88.1	85.2	83.8				126.5
DIAMETER RATIO	6500	75.5	78.6	79.3	80.1	81.1	81.0	82.9	83.1	84.8	86.4	86.4	85.2	82.1				125.9
DF/DM - 1.00	8000	74.9	78.4	78.9	80.7	81.7	81.7	83.1	82.8	84.4	86.3	86.6	84.9	82.5				126.2
	10000	75.1	79.6	80.3	81.4	82.3	82.5	82.5	82.4	84.7	86.3	85.5	85.1	83.0				126.6
	12500	73.5	79.3	79.6	81.1	80.7	81.0	81.3	82.1	84.1	85.9	84.6	84.0	81.9				126.1
	16000	70.5	76.8	78.3	79.6	79.1	79.0	79.9	80.6	82.9	83.3	82.5	81.7	79.2				124.6
	20000	68.1	74.2	75.6	77.2	77.5	76.1	77.3	78.3	80.2	80.4	79.8	78.3	77.1				122.4
	25000	64.4	71.8	72.8	75.2	73.9	74.4	74.8	75.4	77.1	77.7	76.6	75.3	73.9				120.1
	31500	60.3	67.3	68.4	70.3	69.9	70.7	71.8	72.2	73.4	74.1	73.2	71.8	70.4				117.1
	40000	57.1	63.5	64.5	66.6	66.1	65.4	66.1	67.8	68.7	69.0	67.9	65.8	65.5				113.2
	50000	55.0	59.7	60.4	63.0	60.9	61.7	62.2	66.4	64.9	66.8	65.1	63.5	63.6				112.1
	65000	54.9	56.6	57.0	60.4	58.0	58.5	58.5	67.3	64.0	67.4	65.0	63.4	64.4				114.5
	80000	55.2	54.6	54.4	58.4	56.6	57.5	57.0	68.7	64.6	69.1	66.7	65.7	66.4				118.7
OVERALL MEASURED																		
OVERALL CALCULATED	90.9	92.4	93.1	94.2	94.5	95.5	96.7	97.2	99.1	100.6	101.1	103.6	104.7	112.4				143.6
PNDB	103.3	104.3	105.3	106.1	106.7	107.6	108.8	109.5	110.9	112.6	113.0	114.1	112.6	116.7				

415

ORIGINAL PAGE IS
OF POOR QUALITY

MODEL SOUND PRESSURE LEVELS (59. DEG. F, 70 PERCENT REL. HUM. DAY - JENOTS)

		ANGLES FROM INLET IN DEGREES (AND RADIANS)															PWL		
SPL INPUT AT STP		30	40	50	60	70	80	90	100	110	120	130	140	150	160	0	0	0	PWL
REV. ALPHA 12/75	FREQ. (0.52)(0.70)(0.87)(1.05)(1.22)(1.40)(1.57)(1.75)(1.92)(2.09)(2.27)(2.44)(2.62)(2.79)(3.0)																		
NO-EGA	63	65.6	68.1	67.6	68.4	69.2	69.3	70.6	71.0	71.9	76.8	76.8	77.8	80.6	81.7				116.7
RDG. NO. 0	80	70.6	70.9	71.3	71.9	72.5	73.7	74.8	75.1	77.1	78.4	80.7	84.1	87.8	89.6				122.5
RADIAL 40. FT.	100	73.2	73.2	73.9	74.7	75.2	77.2	79.5	80.3	82.2	82.9	84.9	90.3	94.5	103.4				132.2
(12-M)	125	75.0	73.7	76.0	77.7	78.0	81.0	83.9	84.0	85.2	87.5	89.7	94.9	99.0	105.3				134.9
VEHICLE JENOTS	160	79.9	79.7	78.9	81.4	81.4	84.9	87.1	86.4	88.7	90.7	91.2	97.2	101.4	108.4				137.8
CONFIG JE-000	200	80.8	81.3	79.8	81.3	82.0	85.0	84.8	85.3	86.8	89.0	89.8	95.9	99.2	109.0				137.7
LOC - EVENDALE	250	82.8	84.5	81.8	83.0	83.3	84.5	84.0	84.0	90.5	88.3	89.5	93.5	95.4	106.1				135.2
DATE 05-13-75	315	83.0	82.8	82.0	83.8	84.8	82.7	85.3	88.0	86.3	88.5	89.5	90.9	91.4	102.3				132.4
RUN DBTFMODEL10A	400	76.7	73.0	77.6	78.7	80.7	86.0	81.8	82.1	83.3	84.6	81.5	84.5	88.0	92.4				126.2
TAPE - X10050	500	74.6	76.4	79.6	80.0	82.2	84.4	83.5	83.2	84.4	84.4	86.5	90.9	88.8	90.1				127.3
BAR 29.5 HG	630	80.6	81.5	80.2	80.7	84.0	84.0	83.1	84.4	85.2	85.7	88.5	93.3	91.7	92.6				129.2
(99550. N/M2)	800	83.0	85.4	85.6	86.5	86.8	87.0	88.4	89.1	89.8	92.5	94.2	98.3	95.2	95.2				133.8
TAMB 59. DEG F	1000	82.8	84.1	87.0	85.2	84.8	86.7	87.7	88.6	92.6	95.3	94.2	92.9	92.1	88.7				132.8
(288. DEG K)	1250	83.2	85.7	87.6	89.5	87.7	89.7	90.4	91.4	93.4	93.1	93.8	94.0	91.4	87.4				133.4
TWET 55. DEG F	1600	83.0	84.5	84.6	86.5	86.8	88.2	88.8	89.5	89.8	91.0	90.8	89.9	86.1	86.2				130.8
(286. DEG K)	2000	83.6	83.8	83.5	87.4	87.9	86.1	89.8	90.1	91.0	92.9	92.9	88.8	85.8				132.0	
HACT 8.91 GM/M3	2500	83.6	83.8	87.3	87.2	88.4	88.6	89.0	91.1	91.5	94.3	93.7	90.4	88.6	84.9				132.6
(.00891 KG/M3)	3150	82.0	84.8	86.2	86.9	87.0	86.7	89.3	90.3	92.2	94.0	93.6	91.8	90.2	87.0				132.6
FREQ - SHIFT	4000	80.0	83.0	85.1	86.2	86.5	88.4	89.6	90.6	91.6	94.0	92.1	90.1	88.4	85.9				132.3
JET 0	5000	82.1	84.1	85.5	86.4	87.1	87.2	90.7	92.1	94.2	95.3	93.8	91.5	90.8	83.7				133.7
DIAMETER RATIO	6300	82.5	85.3	86.5	87.1	87.9	88.2	91.4	92.1	94.3	95.4	94.6	92.4	91.1	89.8				134.3
DF/DM 1=00	8000	82.6	85.7	86.7	87.7	89.4	89.7	91.9	92.8	94.7	96.3	95.6	94.4	93.5	92.5				135.5
	10000	83.1	86.8	87.6	88.1	89.1	90.5	91.2	92.6	95.2	96.5	95.7	95.1	94.8	93.6				136.2
	12500	81.7	86.5	87.1	88.1	88.7	89.7	90.8	92.9	95.1	95.9	94.6	94.5	94.4	92.6				136.1
	16000	79.5	84.8	86.0	87.3	87.6	88.5	89.9	91.4	93.7	93.8	92.9	93.0	91.7	91.1				134.9
	20000	77.9	83.2	83.9	85.4	85.9	86.1	87.8	89.0	91.2	90.9	90.8	89.6	89.6	88.7				132.9
	25000	75.1	80.8	81.8	84.4	83.7	84.4	85.3	86.1	88.1	88.4	87.6	87.0	86.6	85.6				130.8
	31500	70.8	76.6	77.9	80.1	79.6	81.4	81.8	83.5	84.1	85.3	84.5	82.8	83.1	82.0				127.9
	40000	66.8	73.0	74.5	76.6	75.9	76.2	77.1	78.0	79.4	80.7	79.4	77.8	78.0	77.8				124.0
	50000	62.7	68.7	70.2	72.7	71.4	72.2	73.2	74.7	74.7	78.1	76.3	74.8	75.1	75.5				121.5
	63000	59.4	66.1	66.7	70.2	68.2	68.2	69.2	70.8	71.2	77.6	75.5	74.2	74.4	76.4				121.7
	80000	57.5	63.8	64.4	67.9	66.6	67.2	67.5	69.7	67.4	78.9	76.2	75.7	75.2	76.9				125.0
OVERALL MEASURED																			
OVERALL CALCULATED		95.4	97.6	98.6	99.7	100.2	101.1	102.5	103.6	105.5	106.8	106.4	107.3	108.1	114.5				148.0
PNCB		107.4	109.2	110.4	111.3	111.9	112.9	114.3	115.4	117.1	118.6	118.2	117.8	117.0	119.9				

414

MODEL SOUND PRESSURE LEVELS (59. DEG. F, 70 PERCENT REL. HUM. DAY - JENOTS)

ANGLES FROM INLET IN DEGREES (AND RADIAN)

SPL INPUT AT STN	50.	40.	30.	60.	70.	80.	90.	100.	110.	120.	130.	140.	150.	160.	0.	0.	0.	PWL
REV. ALPHA 12/73	FREQ. (0.52)	(0.70)	(0.87)	(1.05)	(1.22)	(1.40)	(1.57)	(1.75)	(1.92)	(2.09)	(2.27)	(2.44)	(2.62)	(2.79)	(0.)	(0.)	(0.)	
NO EGA	50	69.1	69.6	70.1	70.7	71.2	71.3	71.3	71.3	71.3	71.3	71.3	71.3	71.3	71.3	71.3	71.3	120.6
RDG. NO. G.	80	74.4	74.1	73.8	73.4	73.0	72.9	72.9	72.9	72.9	72.9	72.9	72.9	72.9	72.9	72.9	72.9	123.4
RADIAL 40. FT.	100	76.2	75.9	77.7	77.9	78.7	80.7	83.5	83.6	85.5	86.7	89.7	95.3	99.8	109.7			127.3
(12. M)	125	78.2	77.0	79.2	80.7	81.2	84.5	87.7	87.0	88.5	91.2	93.7	99.4	104.0	109.0			128.1
VEHICLE JENOTS	160	83.7	82.9	82.2	83.9	84.7	88.2	90.6	89.9	92.2	94.2	95.7	101.9	106.4	112.6			139.0
CONFIG JE-000	200	84.3	84.8	82.8	84.0	85.3	88.3	88.5	88.5	89.8	92.3	94.6	100.4	103.5	113.8			142.2
LOG EVENDALE	250	86.3	88.0	84.8	86.0	86.8	87.5	86.8	87.0	93.0	91.3	93.8	97.5	99.2	111.1			142.3
DATE 05-13-75	315	86.8	85.5	85.0	87.0	88.0	86.0	88.0	91.0	89.5	92.5	94.0	96.1	95.9	106.0			139.8
RUN DBTFMODEL10A	400	79.9	76.2	80.8	81.9	83.7	88.2	85.3	84.8	86.8	89.1	86.0	89.8	91.7	93.4			136.2
TAPE X10050	500	78.1	79.8	82.6	82.8	85.0	85.9	86.7	86.2	87.9	88.4	90.7	95.1	89.3	94.1			129.3
BAR 29.5 HG	630	84.3	85.2	84.5	84.5	88.0	87.8	87.6	89.4	90.4	91.2	94.5	99.1	95.2	97.8			130.7
(9958.5. N/M2)	800	87.2	90.7	90.9	91.5	91.5	92.3	93.7	94.6	94.5	98.0	100.0	103.0	99.5	100.2			134.2
TAMB 59. DEG F	1800	86.8	88.4	92.0	88.9	89.3	92.4	92.2	93.8	98.6	101.3	100.0	98.4	96.8	94.2			138.8
(288. DEG K)	1250	87.5	90.2	92.4	93.5	92.5	93.4	95.2	96.4	98.7	99.4	99.3	99.7	97.9	94.2			138.4
TWET 55. DEG F	1600	86.8	88.7	89.4	90.7	91.6	92.7	93.3	94.5	95.8	97.5	96.6	95.2	92.4	93.5			136.3
(286. DEG K)	2000	88.1	89.3	89.0	91.9	92.7	91.6	95.0	94.8	98.2	100.1	98.9	99.0	96.8	93.5			138.3
HACT 8.91 GM/M3	2500	88.3	89.1	92.5	91.9	93.4	93.6	94.5	96.9	97.5	101.8	99.2	97.1	95.4	92.9			138.8
(.00891 KG/M3)	3150	87.0	90.6	92.2	92.6	92.7	93.2	95.8	97.0	98.7	101.0	99.8	98.8	97.5	94.0			139.2
FREQ. SHIFT	4000	85.5	88.8	91.3	91.9	92.2	95.2	96.1	97.1	99.1	100.8	99.1	97.1	94.9	91.9			139.0
JET 0	5000	87.3	90.1	91.5	92.2	93.1	93.2	96.4	99.1	100.2	101.6	99.6	98.5	97.3	94.9			139.9
DIAMETER RATIO	6300	88.2	91.3	92.0	92.9	94.4	95.0	97.4	98.4	100.8	101.9	100.4	98.9	96.8	96.3			140.6
DF/DM -1.00	8000	88.9	91.7	92.2	92.9	95.4	96.0	98.4	99.1	101.2	102.5	101.3	100.6	99.0	98.3			141.7
	10000	89.9	93.6	93.3	94.1	95.8	97.2	99.0	99.9	102.7	103.8	102.5	102.3	100.8	99.9			143.3
	12500	89.0	94.0	93.9	94.6	95.0	96.5	97.8	99.6	102.6	102.9	102.1	102.5	101.2	99.8			143.2
	16000	88.0	93.8	94.0	94.8	94.1	95.3	96.1	99.1	100.7	100.8	100.7	100.7	99.0	98.1			142.2
	20000	86.1	91.9	92.6	93.9	93.2	93.6	95.0	96.0	97.9	97.4	97.6	97.3	96.4	95.9			140.1
	25000	83.1	89.8	90.6	92.7	90.9	91.9	92.6	93.4	95.4	95.7	94.4	94.5	93.4	91.8			138.2
	417	417	417	417	417	417	417	417	417	417	417	417	417	417	417			155.4
	54500	78.8	85.1	86.4	88.6	86.9	88.9	90.0	91.2	91.6	92.6	91.2	90.8	90.1	88.3			129.7
	40000	75.1	81.5	82.5	85.1	83.1	84.2	85.6	86.0	87.9	88.2	86.7	85.6	86.0	85.0			131.9
	50000	71.0	77.4	78.2	81.7	78.4	80.5	82.0	83.7	84.2	85.6	83.6	82.5	82.6	82.2			129.7
	63000	68.6	73.6	74.7	79.7	74.2	78.0	78.5	81.8	81.5	83.4	81.5	79.4	80.6	80.4			129.1
	80000	66.7	69.6	70.4	75.6	69.6	77.7	77.8	81.0	78.6	81.9	79.5	77.7	78.2	79.7			130.3
OVERALL MEASURED																		
OVERALL-CALCULATED	100.5	103.7	104.5	105.3	105.8	106.9	108.5	109.8	111.9	113.3	112.5	113.2	113.4	119.3				153.9
PNOB	112.1	114.5	115.8	116.4	117.1	118.6	120.0	121.4	123.0	124.9	124.0	124.0	123.0	125.1				

ORIGINAL PAGE IS
OF POOR QUALITY

		ANGLES FROM INLET IN DEGREES (AND RADIANs)																PWL	
		30	40	50	60	70	80	90	100	110	120	130	140	150	160	0	0	0	PWL
SPL INPUT AT STB	REV. ALPHA 12/73	FREQ. (0.52)	(0.70)	(0.87)	(1.05)	(1.22)	(1.40)	(1.57)	(1.75)	(1.92)	(2.09)	(2.27)	(2.44)	(2.62)	(2.79)	(0.)	(0.)	(0.)	
		50	63.8	64.8	65.9	67.9	69.0	69.3	69.9	69.8	70.4	71.8	74.3	79.3	80.8	86.2			117.4
	NO-EGA	63	67.6	67.9	68.2	68.7	69.5	70.4	71.5	72.2	72.6	74.6	77.6	80.9	84.2	85.3			118.8
	RDG. NO. 0.	80	69.6	69.4	70.0	70.6	72.3	72.9	74.1	74.6	75.8	78.1	81.5	85.4	88.8	89.9			123.0
	RADIAL 40. FT.	100	71.7	71.4	73.4	73.9	74.4	76.4	79.2	79.6	81.2	82.9	86.4	92.0	95.8	103.5			132.6
	(-12. M)	125	75.0	73.5	75.5	76.2	76.5	80.5	83.4	83.2	84.7	88.2	91.2	96.9	100.3	108.5			137.5
	VEHICLE JENOTS	160	80.2	78.7	78.7	80.4	80.2	83.9	86.6	86.4	88.9	91.7	93.7	99.4	102.9	107.9			138.2
	CONFIG JE-060	200	81.8	81.0	79.3	80.3	81.0	84.3	84.3	84.8	86.8	90.0	92.3	98.4	101.3	110.0			139.0
	LOG EVENDALE	250	83.8	85.8	82.0	82.5	82.8	84.3	83.5	84.5	91.5	91.0	93.5	97.1	97.9	107.4			136.9
	DATE 05-13-75	315	84.3	83.8	82.5	83.0	84.3	82.7	84.8	88.3	88.0	91.5	93.5	96.1	95.5	108.8			137.6
	RUN DBTFMODEL10A	400	78.5	75.0	78.6	79.4	80.9	85.7	82.6	83.1	85.1	88.1	85.0	89.3	92.5	92.4			128.2
	TAPE -X10110	500	74.4	76.1	79.3	80.3	81.7	83.4	83.2	82.0	84.9	85.2	87.7	93.7	90.1	96.6			129.5
	BAR 29.5 HG	630	78.6	79.5	79.0	77.7	81.2	81.8	82.1	83.6	85.9	87.7	92.5	98.1	96.2	98.9			132.8
	(99583. N/M2)	800	79.8	82.0	82.6	83.3	83.8	85.0	87.2	89.1	90.0	94.3	98.0	103.4	100.6	101.3			137.4
	TAMB 62. DEG F	1000	80.7	81.2	84.8	82.7	82.5	85.2	86.9	88.6	93.1	97.3	97.7	97.3	97.2	94.3			135.2
	(290. DEG K)	1250	82.2	83.8	85.9	87.5	86.5	88.2	89.4	90.9	93.9	95.6	96.3	96.9	94.3	89.9			134.6
	TMET 56. DEG F	1600	82.5	83.2	84.1	85.0	85.8	87.5	88.5	88.5	89.1	91.2	92.8	92.4	87.3	86.7			131.1
	(286. DEG K)	2000	81.3	81.6	81.8	84.6	85.4	84.3	87.5	87.8	91.7	92.4	95.1	94.8	90.1	85.8			132.2
	HACT 8.91 GM/M3	2500	82.1	81.8	84.7	84.4	85.3	85.9	86.8	89.1	90.0	92.5	92.5	91.2	87.9	84.5			131.0
	(.00891 KG/M3)	3150	79.9	82.5	83.9	83.6	84.3	84.0	86.8	87.8	89.5	92.3	92.1	91.7	88.9	86.0			130.8
	FREQ. SHIFT	4000	77.3	80.1	82.1	83.4	83.3	85.9	85.9	87.3	88.7	91.5	89.9	88.7	86.2	83.4			129.6
	JET 0	5000	79.1	81.2	82.5	83.2	83.1	83.4	86.4	87.9	89.4	92.3	91.6	89.0	87.9	86.0			130.3
	DIAMETER RATIO	6300	78.4	81.2	82.8	83.4	84.4	84.2	86.5	86.9	89.1	91.2	91.4	89.6	87.5	86.5			130.2
	DF/DM 1.00	8000	78.4	82.2	83.0	83.4	84.4	84.8	86.2	86.9	88.9	90.8	90.6	90.2	88.8	87.6			130.4
		10000	77.7	83.2	83.4	84.2	84.6	85.3	85.8	86.4	89.0	90.8	90.3	90.2	89.2	88.3			130.8
		12500	76.1	82.6	83.2	83.9	83.8	84.5	84.8	86.2	89.4	90.2	89.1	89.6	88.3	87.5			130.6
		16000	72.7	80.3	81.8	82.4	82.4	83.1	83.9	85.4	87.5	88.1	87.0	87.5	85.8	84.9			129.2
418		20000	69.8	77.6	79.0	80.5	80.3	80.7	81.6	82.9	85.2	85.0	84.4	84.2	82.5	82.1			127.0
		25000	67.1	75.3	76.7	78.5	77.8	78.5	79.4	80.2	82.5	82.8	81.5	81.2	79.4	80.3			125.0
		31500	61.9	71.2	72.7	74.2	73.5	75.5	76.4	77.0	78.0	78.7	77.8	76.7	76.0	79.1			121.8
		40000	58.4	66.8	68.1	70.9	70.0	69.8	70.7	72.4	73.5	73.5	72.2	71.8	72.0	79.8			118.4
		50000	55.1	63.1	63.5	67.8	66.0	66.5	67.3	69.0	68.8	69.9	68.2	72.2	71.5	82.9			118.4
		63000	56.1	58.8	59.8	67.7	65.0	65.3	65.8	68.6	65.6	68.5	66.5	73.8	73.0	86.1			122.1
		80000	57.6	56.7	55.9	68.4	65.2	66.3	66.3	69.3	65.2	69.2	67.3	76.4	75.9	88.3			127.1
	OVERALL MEASURED																		
	OVERALL CALCULATED		93.7	95.3	96.1	96.8	97.2	98.4	99.6	100.7	103.1	105.5	106.6	109.4	109.6	116.3			148.0
	PND8		105.7	107.0	108.3	108.6	109.2	110.5	111.7	112.8	114.7	117.2	117.8	118.9	117.3	121.2			

		ANGLES FROM INLET IN DEGREES (AND RADIAN'S)															PWL		
SPL INPUT AT STD		30	40	50	60	70	80	90	100	110	120	130	140	150	160	0	0	0	PWL
REV. ALPHA 12/73	FREQ.	(0.52)	(0.70)	(0.87)	(1.05)	(1.22)	(1.40)	(1.57)	(1.75)	(1.92)	(2.09)	(2.27)	(2.44)	(2.62)	(2.79)	(0.)	(0.)	(0.)	
NO EGA	50	68.8	69.3	70.9	71.2	71.7	72.1	72.9	80.5	77.1	77.1	79.0	82.0	84.6	89.7				121.6
RDG. NO. U.	80	74.4	73.9	74.0	74.6	76.0	76.9	78.1	81.8	80.3	82.9	86.2	90.1	93.3	95.1				127.8
RADIAL 40. FT.	100	75.9	75.9	77.4	77.2	78.2	80.2	83.0	86.3	85.5	87.2	90.9	96.3	100.3	108.9				137.7
(12. #)	125	78.7	77.0	79.2	80.0	80.7	84.5	87.7	89.2	88.7	92.2	95.7	101.6	105.0	113.0				142.0
VEHICLE JENOTS	160	83.7	83.4	82.7	83.9	84.9	88.4	90.9	96.2	92.9	95.4	97.7	104.2	108.1	114.1				143.9
CONFIG JE-009	200	84.8	85.0	83.5	83.8	84.8	88.0	88.5	98.0	90.5	93.8	96.3	102.6	105.7	113.5				142.9
LOC EVENDALE	250	87.0	89.0	85.8	86.3	86.3	88.0	87.3	89.5	94.5	93.8	97.0	100.8	101.7	112.4				141.4
DATE 05-13-75	315	88.3	87.3	86.0	87.0	88.0	86.2	88.8	95.0	91.3	94.8	97.5	100.1	99.7	110.8				140.2
RUN DBTFMODEL10A	400	81.9	78.5	81.6	82.2	83.9	89.0	86.3	89.8	88.6	91.1	88.8	93.5	96.5	97.1				132.2
TAPE X10130	500	78.3	80.3	83.3	83.3	85.2	86.9	87.5	90.5	88.4	89.2	91.7	97.1	91.6	97.1				132.5
BAR 29.5 HG	630	83.1	84.2	84.0	83.7	87.0	87.0	86.9	89.9	89.2	90.5	94.7	99.6	96.4	100.3				134.8
(99583. N/M2)	800	86.0	88.9	89.6	90.3	90.3	90.3	92.7	94.4	93.5	97.8	100.5	105.5	101.2	102.5				139.8
TAMB 61. DEG F	1000	85.6	87.6	91.0	88.4	88.3	90.7	91.4	94.1	97.4	101.1	100.2	99.4	98.1	95.2				138.3
(289. DEG K)	1250	85.7	89.7	90.9	92.3	90.7	92.7	94.4	95.9	97.9	99.1	99.8	100.0	97.4	93.4				138.4
TWET 55. DEG F	1600	85.8	87.7	88.1	89.7	90.6	92.0	92.8	94.5	93.8	96.0	96.1	95.7	91.6	92.2				135.4
(286. DEG K)	2000	86.1	87.3	87.8	90.4	90.9	90.1	92.8	94.3	96.0	97.9	97.4	97.2	93.8	90.3				136.4
HACT 8.91 GN/M3	2500	86.5	88.0	91.2	90.2	91.1	91.9	92.6	96.1	95.5	99.0	97.2	95.1	92.9	89.7				136.7
(.00891 KG/M3)	3150	85.2	89.1	91.2	90.6	91.0	91.0	93.6	95.3	95.7	98.3	97.3	96.0	94.5	92.0				136.8
FREQ SHIFT	4000	83.5	86.8	90.3	90.2	90.8	92.9	94.1	96.3	95.9	98.3	96.2	94.4	92.7	90.1				136.7
JET 0	5000	85.4	88.1	90.0	90.7	90.6	91.2	94.4	96.6	97.9	99.6	97.1	95.5	95.6	93.2				137.7
DIAMETER RATIO	6300	85.5	89.4	90.5	91.1	92.2	92.7	95.5	96.4	97.8	99.7	98.4	96.2	95.1	94.4				138.4
DF/DM 1.00	8000	86.7	89.5	90.5	91.5	93.0	94.3	96.2	97.4	99.5	101.1	99.4	98.2	97.1	96.8				139.9
	10000	87.4	90.9	91.4	92.7	93.7	95.3	96.6	98.2	100.6	101.1	100.3	99.9	99.1	99.0				141.1
	12500	86.8	91.4	92.0	92.9	93.6	95.1	96.1	98.5	100.1	100.8	99.9	100.3	99.8	98.9				141.3
	16000	84.8	90.6	91.7	92.2	92.7	93.6	94.7	97.5	99.0	99.8	98.3	97.9	97.6	97.5				140.4
	20000	83.3	89.6	90.3	91.6	91.3	91.3	92.9	96.2	96.0	95.5	96.2	95.5	95.5	95.1				138.5
	25000	80.5	87.7	88.7	90.8	89.3	90.1	90.5	95.3	93.3	93.8	92.5	92.7	92.5	91.5				136.9
	31500	76.7	82.7	85.0	87.2	85.3	86.8	87.9	92.6	89.7	90.2	89.1	88.7	89.0	87.9				134.1
	40000	72.5	78.9	80.7	83.2	81.5	81.8	83.0	90.2	85.5	86.1	84.5	83.4	85.1	85.9				131.1
	50000	68.3	74.0	76.3	80.1	76.5	77.3	78.8	88.5	81.8	83.2	81.2	80.1	81.2	85.1				129.4
	63000	66.4	70.4	72.0	77.5	72.8	73.1	74.8	87.1	78.6	81.2	79.3	77.2	78.7	86.5				129.5
	80000	65.8	66.1	67.7	75.2	68.9	69.5	70.6	86.5	76.4	81.7	77.7	76.7	76.7	87.9				132.0
OVERALL MEASURED																			
OVERALL CALCULATED		99.1	102.0	103.1	103.8	104.2	105.3	106.8	109.6	110.0	111.7	111.5	113.5	114.1	120.6				153.5
PNDB		110.6	113.2	114.8	114.9	115.5	116.9	118.4	120.9	121.2	123.2	122.7	123.0	122.0	125.2				

619

ORIGINAL PAGE IS
OF POOR QUALITY

MODEL SOUND PRESSURE LEVELS (59 DEG. F, 70 PERCENT REL. HUM. DAY - JENOTS)

ANGLES FROM INLET IN DEGREES (AND RADIANs)

SPL INPUT AT STG	30	40	50	60	70	80	90	100	110	120	130	140	150	160	0.	0.	0.	PWL
REV. ALPHA 12/73	FREQ. (0.52)	(0.70)	(0.87)	(1.05)	(1.22)	(1.40)	(1.57)	(1.75)	(1.92)	(2.09)	(2.27)	(2.44)	(2.62)	(2.79)	(3.0)	(3.0)	(3.0)	
NO EGA	63	76.1	75.6	76.4	77.0	78.0	79.2	79.5	80.2	80.6	84.8	87.1	90.4	93.0	95.4			126.2
RDG. NO. 0.	80	78.6	77.9	78.3	78.9	80.3	81.4	82.6	82.6	84.3	87.1	90.7	94.9	98.0	99.9			132.4
RADIAL 40. FT.	100	80.2	79.7	81.2	81.9	82.7	84.9	87.5	87.6	89.2	91.7	95.4	101.0	104.8	113.4			142.2
(12. M)	125	83.0	81.0	83.5	84.0	84.7	88.5	91.7	91.0	92.7	96.5	100.0	106.1	109.5	116.8			146.0
VEHICLE JENOTS	160	88.2	87.2	86.7	88.2	88.4	92.2	94.6	93.7	96.7	99.7	102.2	108.9	112.4	117.1			147.4
CONFIG JE-000	200	88.5	89.0	87.0	88.0	88.5	92.0	92.3	92.8	94.5	98.0	101.1	106.6	109.5	117.3			146.5
LOC. EVENDALE	250	90.8	93.3	90.0	89.5	90.0	91.5	91.3	91.8	98.0	97.8	101.5	104.5	105.4	115.9			145.0
DATE 05-13-75	315	91.8	90.8	89.5	90.8	92.0	90.0	91.8	95.0	95.0	99.0	102.5	105.4	103.2	111.8			142.7
RUN DBTFMODEL104	400	85.7	82.0	85.6	85.7	88.4	92.7	89.6	90.1	92.1	95.3	93.8	98.5	100.2	100.1			136.0
TAPE X10150	500	81.6	83.3	87.3	87.3	89.0	90.6	91.5	91.2	92.9	93.7	96.5	99.9	95.1	100.1			135.9
BAR 29.5 HG	630	87.6	88.0	87.5	86.5	89.7	89.5	89.9	91.4	92.9	94.7	98.5	101.6	98.2	104.3			137.7
(99583. N/M2)	800	90.2	92.7	93.6	93.0	92.6	93.3	95.9	96.9	98.0	101.0	104.2	107.3	103.5	105.5			142.5
TAMB 61. DEG F	1000	90.6	91.6	95.0	92.4	92.5	95.4	95.7	97.1	102.4	105.6	104.7	102.4	101.3	99.2			142.5
(289. DEG K)	1250	91.0	94.2	96.4	97.0	96.2	98.2	99.9	101.2	103.9	104.6	104.8	105.7	103.7	99.2			143.9
TWET 55. DEG F	1600	90.8	93.2	93.6	96.0	96.1	98.0	98.5	99.7	99.8	102.2	101.1	102.4	99.4	99.2			141.4
(286. DEG K)	2000	91.8	93.3	92.5	95.4	95.9	94.8	98.3	99.3	101.5	102.6	101.6	102.5	100.3	97.0			141.5
HACT 8.91 GM/M3	2500	92.0	93.3	96.7	95.9	97.3	98.4	99.1	101.6	103.0	104.0	102.7	101.9	100.6	96.4			142.8
(.00891 KG/M3)	3150	91.0	94.6	96.4	96.4	96.8	96.5	99.6	100.8	102.5	104.0	102.8	101.8	100.7	97.0			142.6
FREQ. SHIFT	4000	89.5	92.6	95.3	95.7	96.3	98.4	99.9	101.1	102.7	104.3	102.4	100.9	98.7	95.4			142.6
JET 20	5000	90.9	93.6	95.2	95.7	96.6	96.9	100.4	102.1	104.4	104.6	103.6	102.5	101.4	98.0			143.6
DIAMETER RATIO	6300	90.5	94.4	95.0	95.9	97.4	98.0	101.5	101.4	103.6	104.0	102.9	102.5	100.9	98.9			143.5
DF/DM 1.00	8000	91.4	94.2	94.7	96.5	98.0	99.5	102.2	102.4	104.0	103.6	103.4	102.2	101.0	99.8			144.1
	10000	92.9	96.1	96.4	97.5	98.9	100.6	102.3	103.0	105.1	104.3	103.6	104.2	102.9	101.0			145.4
	12500	93.1	97.4	98.0	98.9	98.8	99.8	101.4	102.7	105.1	104.3	103.1	103.8	102.8	99.9			145.5
	16000	91.6	97.4	98.7	99.4	99.0	98.9	100.7	101.5	103.3	102.2	100.8	102.1	100.1	98.2			144.6
420	20000	89.3	94.1	95.5	97.3	97.8	97.5	97.9	98.9	100.3	99.0	99.0	98.7	97.8	95.6			142.5
	25000	86.0	91.0	92.7	95.3	94.6	95.3	96.0	96.0	97.3	96.6	96.0	95.9	95.0	92.5			140.4
	31500	81.7	87.2	88.5	90.7	90.3	92.1	93.2	93.6	94.2	93.7	92.6	92.5	91.5	88.9			137.6
	40000	77.7	83.4	85.2	87.7	86.8	86.8	88.5	89.7	90.8	90.3	89.0	88.4	86.9	86.4			134.6
	50000	73.8	79.0	81.5	84.1	82.5	83.1	85.1	86.0	87.3	88.4	86.9	86.1	84.0	85.8			132.6
	63000	69.9	75.1	79.0	81.5	79.6	80.1	81.5	83.9	85.1	88.7	86.3	85.5	81.9	87.2			133.1
	80000	67.5	70.9	76.7	79.7	77.2	79.0	79.3	82.3	81.4	89.9	86.5	85.7	79.2	88.2			135.8
OVERALL MEASURED																		
OVERALL CALCULATED		104.2	107.0	108.2	109.0	109.4	110.5	112.3	113.2	115.3	116.0	117.7	118.3	123.9				157.6
PND8		115.8	118.3	119.7	120.1	120.8	122.1	123.8	124.9	127.0	128.2	127.8	128.2	127.3	129.1			

MODEL SOUND PRESSURE LEVELS (59. DEG. F, 70 PERCENT REL. HUM. DAY - JENOTS)

ANGLES FROM INLET IN DEGREES (AND RADIANIS)

SPL INPUT AT STN	30	40	50	60	70	80	90	100	110	120	130	140	150	160	0.	0.	0.	PWL
REV. ALPHA 12/75	FREQ. (0.52)	(0.70)	(0.87)	(1.05)	(1.22)	(1.40)	(1.57)	(1.75)	(1.92)	(2.09)	(2.27)	(2.44)	(2.62)	(2.79)	(0.)	(0.)	(0.)	
NO EGA	63	70.8	70.9	71.9	72.2	73.0	73.7	75.0	74.9	75.9	78.8	81.4	84.9	87.5	88.6			119.9
RDG. NO. 0.	80	73.4	72.9	73.5	74.6	75.5	76.2	77.1	77.6	79.1	82.4	85.7	88.6	92.0	93.1			126.4
RADIAL 40. FT.	100	74.9	74.9	76.9	77.4	77.7	80.2	82.7	82.3	84.5	86.4	90.2	95.0	98.8	105.7			135.1
(12. M)	125	77.7	76.5	78.7	79.7	80.2	83.5	86.7	86.0	88.0	91.5	94.7	100.4	102.8	111.0			140.1
VEHICLE JENOTS	160	83.2	82.4	81.7	83.7	83.9	87.2	90.1	89.9	92.7	95.2	97.9	103.4	106.9	111.4			141.9
CONFIG JE-000	200	84.5	84.5	83.0	83.5	84.5	87.8	88.3	88.3	90.3	94.3	96.8	102.6	104.8	113.8			142.7
LOC EVENDALE	250	86.8	89.0	85.5	86.0	85.8	87.5	86.8	87.3	94.3	93.5	97.0	100.3	101.4	110.4			140.0
DATE 05-13-75	315	86.0	86.8	85.8	87.0	88.0	86.0	88.0	92.0	91.8	95.8	99.5	101.6	100.2	110.5			140.4
RUN DBTFMODEL10A	400	82.5	78.5	81.3	82.7	84.4	89.2	87.1	87.1	89.6	92.6	91.3	95.6	97.5	95.9			133.0
TAPE X10210	500	78.1	79.9	83.6	84.0	86.2	86.9	87.7	87.5	89.7	89.7	93.0	97.7	92.6	98.6			133.1
BAR 29.5 HG	630	83.1	83.0	83.2	81.5	85.5	85.5	85.1	87.4	89.7	91.5	96.7	100.6	97.0	101.9			135.7
(99583. N/M2)	800	84.6	86.8	86.9	87.0	87.5	88.5	90.7	93.1	94.0	98.0	102.0	107.6	103.1	104.1			141.2
TAMB 62. DEG F	1000	84.9	85.7	88.8	86.9	87.0	89.9	90.9	92.6	97.9	102.1	102.7	101.8	100.0	97.3			139.6
(290. DEG K)	1250	85.9	88.1	90.1	91.8	90.5	91.9	93.9	94.9	99.2	100.9	101.8	102.4	99.6	94.9			139.7
TWET 56. DEG F	1600	85.5	86.9	87.4	88.7	90.3	91.7	93.0	93.5	94.1	96.5	97.6	97.7	93.6	92.2			136.0
(286. DEG K)	2000	85.1	85.3	85.5	88.6	88.9	87.8	91.3	92.3	95.0	97.1	98.1	97.0	92.8	89.5			135.6
HACT 8.91 GM/M3	2500	84.8	84.6	88.0	87.9	88.6	89.9	90.6	93.6	94.2	97.0	96.2	95.2	91.2	87.5			135.1
(.00891 KG/M3)	3150	83.1	85.2	86.7	87.1	87.5	87.0	90.1	91.8	93.5	96.0	94.8	93.2	91.4	89.0			133.9
FREQ. SHIFT	4000	80.5	83.6	85.3	86.2	86.8	89.2	89.9	91.1	93.2	95.0	93.2	90.7	87.9	85.9			133.0
JET 0	5000	82.4	84.4	85.2	86.4	86.4	86.4	89.9	91.4	93.7	95.3	93.3	92.3	90.4	88.2			133.4
DIAMETER RATIO	6300	82.2	85.2	86.3	86.4	87.2	87.5	90.5	90.6	93.1	94.9	93.1	92.4	90.8	89.3			133.5
DF/DM 1:00	8000	82.9	85.7	85.7	87.2	87.7	88.5	90.2	90.6	93.2	95.3	93.8	93.7	92.3	91.6			134.2
	10000	82.2	86.7	86.1	86.9	87.6	88.5	89.3	90.9	94.0	94.6	93.8	94.0	93.4	92.3			134.7
	12500	80.6	86.1	85.7	86.6	87.5	88.0	88.6	90.4	93.1	94.0	92.4	93.6	93.1	91.2			134.3
	16000	78.2	83.5	84.3	85.9	85.9	86.3	87.7	89.7	92.0	92.1	91.0	91.5	90.0	89.4			133.2
421	20000	75.3	81.3	82.0	83.3	84.0	84.2	85.3	86.9	89.5	89.2	88.7	88.2	87.3	86.8			131.0
	25000	72.6	79.1	79.9	81.5	80.8	81.8	83.2	84.2	86.5	87.0	85.2	85.0	84.9	83.8			128.8
	31500	67.9	74.4	76.0	78.2	77.2	79.0	80.1	81.3	82.0	83.2	81.8	81.2	80.2	81.4			125.8
	40000	64.6	70.5	71.9	74.9	73.7	73.3	75.0	75.9	77.2	79.0	76.7	75.8	75.5	81.5			122.2
	50000	60.4	66.3	68.5	72.1	69.5	69.0	70.8	72.2	72.8	77.9	75.2	73.7	73.8	83.6			121.5
	63000	58.6	62.0	66.3	71.5	67.3	66.8	68.3	70.6	68.3	79.0	75.8	74.8	74.8	86.6			124.4
	80000	59.6	58.7	65.2	70.7	67.4	67.5	68.3	70.5	66.4	80.4	77.3	77.4	77.4	89.1			129.2
OVERALL MEASURED																		
OVERALL CALCULATED	97.3	98.9	99.5	100.4	100.8	102.0	103.5	104.8	107.4	109.7	110.9	113.5	113.0	119.2				151.5
PND8	109.0	110.3	111.5	112.1	112.7	113.9	115.3	117.0	118.8	121.2	121.4	122.7	120.4	124.2				

ORIGINAL PAGE IS
OF POOR QUALITY

MODEL SOUND PRESSURE LEVELS (59. DEG. F, 70 PERCENT REL. HUM., DAY - JENOTS)

ANGLES FROM INLET IN DEGREES (AND RADIANS)

SPL INPUT AT STD	30	40	50	60	70	80	90	100	110	120	130	140	150	160	0	0	0	PWL
REV. ALPHA 12/75	FREQ. (0.52)	(0.70)	(0.87)	(1.05)	(1.22)	(1.40)	(1.57)	(1.75)	(1.92)	(2.09)	(2.27)	(2.44)	(2.62)	(2.79)	(0.)	(0.)	(0.)	
NO EGA	63	74.8	75.1	75.2	75.5	76.3	77.9	78.3	78.2	78.9	82.1	85.3	88.9	91.7	94.3			123.6
RDG. NO. 0	80	77.9	76.9	77.8	77.9	79.0	79.9	81.3	81.3	82.8	85.6	89.7	93.4	96.8	98.1			126.7
RADIAL 40 FT.	100	79.2	79.4	80.7	80.9	81.7	84.2	86.5	87.1	88.5	90.4	94.7	100.0	103.8	110.7			131.0
(-12.4)	125	81.5	80.5	82.7	83.5	84.2	87.7	90.7	90.0	92.0	95.7	99.7	105.1	107.8	115.3			140.1
VEHICLE JENOTS	160	87.2	86.2	85.4	86.9	87.7	91.4	93.6	93.2	96.2	98.7	101.4	107.4	111.4	115.4			144.6
CONFIG JE-000	200	88.0	88.5	86.8	87.8	88.3	91.3	92.0	92.0	94.0	98.3	100.8	106.9	109.3	117.0			146.0
LOC - EVENDALE	250	90.3	92.8	89.8	89.3	89.8	91.0	90.5	90.5	97.8	98.0	101.8	105.1	105.4	114.6			146.3
DATE 05-13-75	315	92.3	91.3	89.8	90.5	91.8	89.2	91.3	95.3	95.0	99.3	103.5	106.1	103.2	112.0			144.3
RUN DBTFMODEL1CA	400	86.5	82.5	85.1	85.9	87.9	92.7	89.8	90.1	92.3	95.8	95.3	99.8	101.0	101.2			143.1
TAPE - X10230	500	81.6	83.4	86.8	87.0	89.5	89.6	91.0	90.7	92.9	92.9	96.7	100.4	95.4	100.1			136.8
BAR 29.5 HG	630	86.9	86.5	87.0	85.2	89.0	89.0	89.1	90.9	92.2	95.0	99.5	102.6	98.5	103.9			143.1
(99550. N/M2)	800	88.6	91.0	92.1	91.8	91.5	92.3	94.9	96.6	97.3	101.3	104.5	108.6	104.3	106.3			138.0
TAMB 62. DEG F	1000	88.7	90.0	93.5	90.9	90.8	93.4	93.9	96.1	100.9	105.3	105.0	102.5	100.7	98.8			143.1
(290. DEG K)	1250	89.4	92.6	94.6	95.8	94.2	96.4	97.9	98.9	102.2	103.4	103.8	103.6	101.1	96.6			142.0
TWET 56. DEG F	1600	89.7	91.7	92.1	93.2	94.1	96.2	97.3	97.0	97.6	99.7	100.3	99.7	95.8	95.9			142.2
(286. DEG K)	2000	89.3	90.3	90.0	93.1	93.9	92.3	95.3	96.8	99.5	100.9	99.9	99.8	96.8	93.5			139.3
HACT 8.91 GN/M3	2500	90.1	90.6	93.2	93.2	94.3	95.1	96.1	98.6	99.0	101.5	100.2	98.2	96.4	92.8			139.7
(.00891 KG/M3)	3150	88.4	91.7	92.9	92.9	93.8	93.3	95.6	97.3	98.7	101.8	99.8	98.7	97.6	96.0			139.6
FREQ. SHIFT	4000	86.3	89.8	92.1	92.2	93.2	95.4	96.1	97.8	98.9	101.3	99.7	97.9	95.4	92.9			139.4
JET 0	5000	88.6	91.4	92.2	92.7	93.9	93.7	96.9	98.6	100.2	101.3	100.8	99.3	97.9	96.0			140.3
DIAMETER RATIO	6300	88.4	91.7	92.3	92.9	94.7	94.7	98.0	98.1	100.1	101.4	100.4	99.4	97.8	97.5			140.5
DF/DM 1.00	8000	89.7	92.2	92.0	93.7	95.2	96.0	98.4	99.1	101.2	102.1	101.3	100.9	100.1	99.8			141.8
	10000	90.7	94.0	93.6	94.7	96.4	96.8	98.8	100.4	102.8	103.3	102.3	102.2	101.9	101.8			143.4
	12500	90.6	94.1	94.4	95.1	95.8	96.8	98.3	100.2	102.6	102.7	102.1	102.9	102.6	101.5			143.6
	16000	89.0	94.3	94.6	95.4	95.4	95.8	97.4	99.2	100.7	100.6	100.3	101.0	99.8	99.9			142.5
422	20000	87.5	92.6	93.7	94.8	94.3	93.7	95.1	96.1	98.0	97.7	98.1	97.7	96.8	96.8			140.5
	25000	84.6	90.1	90.9	92.8	92.3	92.3	92.7	93.4	95.4	95.5	95.0	95.0	94.4	93.1			138.5
	31500	79.4	85.2	86.2	88.2	87.2	90.2	90.1	90.8	91.7	92.2	91.6	90.7	90.5	89.6			135.5
	40000	75.4	80.8	83.1	84.9	83.7	83.5	85.2	86.1	87.7	87.3	87.2	86.3	86.0	86.5			131.9
	50000	71.1	76.1	78.0	81.8	78.2	80.0	81.6	82.2	83.5	84.4	84.2	82.4	83.3	85.6			129.4
	63000	68.6	72.5	73.8	79.2	74.3	77.8	78.5	80.4	80.8	81.5	81.3	79.3	80.5	87.4			129.1
	80000	68.4	69.2	69.4	74.4	69.9	77.3	77.8	80.5	77.9	80.9	79.8	78.6	79.4	89.6			131.7

OVERALL MEASURED

OVERALL CALCULATED	102.6	105.0	105.6	106.3	106.9	107.8	109.4	110.7	112.8	114.5	115.0	117.0	117.3	122.9				156.1
PND8	114.0	116.1	117.1	117.4	118.4	119.5	120.9	122.3	124.0	126.3	125.9	126.2	125.2	128.3				

MODEL SOUND PRESSURE LEVELS (59. DEG. F, 70 PERCENT REL. HUM. DAY - JENOTS)

ANGLES FROM INLET IN DEGREES (AND RADIANS)

SPL INPUT AT STD	30	40	50	60	70	80	90	100	110	120	130	140	150	160	D.	O.	O.	PWL
REV. ALPHA 12/73	FREQ. (0.52)	(0.70)	(0.87)	(1.05)	(1.22)	(1.40)	(1.57)	(1.75)	(1.92)	(2.09)	(2.27)	(2.44)	(2.62)	(2.79)	(0.)	(0.)	(0.)	
NO EGA	63	79.3	79.1	79.4	79.7	80.3	81.2	82.0	82.2	84.6	86.8	89.8	93.9	97.2	98.8			128.6
RDG. NO. 0.	30	81.6	80.6	81.5	81.9	83.0	84.2	85.3	85.8	87.3	90.1	94.2	98.4	101.5	102.9			131.6
RADIAL 40. FT.	100	83.7	83.4	84.9	84.9	85.7	87.4	90.0	90.1	92.5	94.7	99.2	104.5	108.8	115.2			135.7
(12.4)	125	86.5	84.7	87.0	87.7	88.2	91.2	94.7	93.5	96.2	99.5	103.5	109.6	113.3	116.5			144.6
VEHICLE JENOTS	160	91.7	90.7	89.4	90.9	91.7	95.2	97.6	96.7	99.4	102.9	105.4	112.4	116.4	118.6			147.5
CONFIG JE-000	200	92.5	92.3	90.3	91.5	92.3	95.3	95.8	96.3	98.0	102.3	105.8	111.4	114.3	120.5			150.1
LOC EVENDALE	250	94.5	96.5	93.0	93.0	93.0	94.5	93.5	94.3	100.8	101.3	105.5	109.6	109.4	116.9			150.3
DATE 05-13-75	315	96.0	95.0	93.3	94.3	94.8	92.7	95.3	98.3	98.5	103.0	107.5	110.6	107.0	114.5			147.3
RUN DBTFMODEL10A	400	90.2	86.8	88.8	89.7	91.9	96.0	93.8	93.6	96.1	99.6	99.3	104.3	104.8	105.7			146.6
TAPE X1025-0	500	86.6	87.6	91.3	91.3	93.0	93.4	94.2	94.5	97.7	98.2	101.7	105.4	101.1	106.4			140.8
BAR 29.5 HG	630	91.1	90.5	91.2	89.7	92.2	93.0	92.9	95.6	97.7	99.7	104.2	107.1	105.0	111.6			140.9
(99583. N/M2)	800	93.1	95.0	95.1	95.0	95.3	96.5	99.2	101.1	102.0	106.5	109.7	113.1	110.8	113.6			143.7
TAMB -62. DEG F	1000	93.9	94.2	97.0	95.4	95.3	98.2	98.9	101.6	106.6	110.8	110.2	107.8	108.2	107.0			148.4
(290. DEG K)	1250	94.7	97.1	98.9	100.5	99.2	101.7	102.9	103.9	107.9	109.9	109.6	110.9	110.1	106.4			147.6
TWET 56. DEG F	1600	95.7	96.9	97.1	98.5	99.8	101.5	102.0	103.0	104.3	106.0	106.6	107.2	105.1	104.9			148.5
(286. DEG K)	2000	95.1	95.6	96.3	99.1	99.2	98.3	101.5	102.8	106.0	107.6	107.1	108.8	107.1	104.3			145.7
HACT 8.91 GM/M3	2500	95.6	96.3	98.7	98.4	99.8	101.1	101.8	105.1	106.2	108.8	107.7	107.0	106.7	102.8			146.5
(.00891 KG/M3)	3150	95.1	98.5	99.2	99.4	99.8	99.5	102.3	104.3	106.2	108.0	107.1	106.9	107.1	103.5			146.9
FREQ. SHIFT	4600	93.3	96.6	98.3	98.9	99.5	102.2	102.6	104.1	106.4	108.5	106.7	105.9	104.9	101.6			146.7
JET 0	5000	94.4	96.4	97.7	98.7	99.6	99.9	102.7	105.4	107.4	108.1	107.6	107.0	106.2	104.0			146.6
DIAMETER RATIO	6300	93.4	96.5	97.0	98.1	100.2	101.0	103.5	104.4	106.8	106.9	106.4	106.4	104.0	102.0			147.1
DF/DM -1.00	8000	93.7	96.5	97.2	98.7	100.4	101.5	103.4	104.1	106.4	106.6	105.8	105.9	103.6	102.1			146.5
	10000	94.2	98.5	98.6	99.4	100.9	101.8	103.3	104.4	106.3	106.3	105.5	105.7	103.7	102.8			146.5
	12500	94.1	99.9	100.2	101.1	101.0	101.5	102.8	103.9	105.6	105.7	104.1	105.1	103.3	101.7			146.9
	16000	92.2	98.3	99.8	100.9	101.2	101.1	101.2	103.2	104.2	103.6	102.5	102.8	101.5	99.1			146.8
423	20000	89.0	94.8	96.0	98.3	99.0	99.0	99.3	100.4	101.2	100.5	99.9	99.5	98.3	96.8			145.9
	25000	85.6	91.6	93.4	95.8	95.5	96.3	96.9	97.5	98.5	98.3	97.0	96.7	96.4	93.6			143.6
	31500	81.1	87.4	90.0	92.2	91.2	93.5	93.9	94.5	95.5	95.4	94.3	93.9	93.0	89.6			141.4
	40000	77.4	83.5	86.6	89.2	87.7	88.0	89.5	90.6	92.5	91.5	90.5	89.3	89.3	87.5			138.9
	50000	72.6	80.1	82.5	86.3	83.5	84.5	86.1	87.0	89.8	90.4	88.4	86.7	87.0	87.1			135.8
	63000	69.6	78.0	79.5	83.7	80.8	81.3	82.8	85.6	87.8	89.7	87.3	86.6	86.8	87.6			134.2
	80000	68.9	76.2	77.2	85.2	78.9	79.8	79.8	83.5	86.9	89.9	87.5	87.9	87.4	89.3			137.6
OVERALL MEASURED																		
OVERALL CALCULATED		107.2	109.6	110.4	111.4	112.0	113.0	114.4	115.9	118.2	119.9	120.4	122.2	122.8	126.2			160.8
PND8		119.5	121.7	122.5	123.0	123.7	125.3	126.5	128.1	130.3	132.3	132.1	133.0	132.7	133.2			

ORIGINAL PAGE IS OF POOR QUALITY

MODEL SOUND PRESSURE LEVELS (59. DEG. F, 70 PERCENT REL. HUM. DAY - JENOTS).

ANGLES FROM INLET IN DEGREES (AND RADIANS)

SPL INPUT AT STD	30	40	50	60	70	80	90	100	110	120	130	140	150	160	0.	0.	0.	PWL
REV. ALPHA 12/73	FREQ. (0.52)	(0.70)	(0.87)	(1.05)	(1.22)	(1.40)	(1.57)	(1.75)	(1.92)	(2.09)	(2.27)	(2.44)	(2.62)	(2.79)	(0.)	(0.)	(0.)	
NO EGA	63	63.8	65.1	64.4	65.2	66.3	67.2	68.8	69.4	69.9	70.6	71.3	73.9	77.2				111.2
RDG. NO. 0.	80	65.6	65.9	66.3	67.4	68.5	69.4	71.1	71.1	72.8	74.1	75.2	78.1	81.3				113.2
RADIAL 40. FT.	100	67.4	67.7	68.9	69.9	70.9	72.9	75.2	75.8	77.5	78.7	79.7	84.0	88.3				116.9
(12. 4)	125	70.0	68.7	70.7	72.2	72.7	76.2	79.4	79.2	80.7	82.2	84.5	88.9	92.5				126.7
VEHICLE JENOTS	160	74.4	74.2	73.7	76.4	76.4	80.2	82.9	81.9	83.4	85.2	86.2	91.7	95.9				128.3
CONFIG JE-000	200	76.3	78.0	74.8	77.3	77.3	80.5	81.0	80.8	83.0	85.3	87.1	92.6	95.5				130.8
LOC - EVENDALE	250	78.5	80.8	77.5	79.0	78.8	80.5	80.0	80.3	87.5	85.8	86.8	89.8	92.2				133.5
DATE 05-13-75	315	78.3	78.8	77.0	79.0	79.3	77.0	79.5	82.3	81.5	85.0	86.5	86.1	88.9				132.3
RUN DBTFMODEL10A	400	71.4	68.2	71.8	72.4	74.2	79.5	75.6	76.1	77.6	79.6	76.5	80.0	83.2				127.7
TAPE X10420	500	68.6	69.8	73.1	73.3	75.7	77.1	77.0	76.7	78.4	78.7	81.2	86.1	82.6				120.3
BAR 29.5 HG	630	74.6	75.0	73.5	73.0	76.7	77.5	77.4	78.6	80.2	80.7	83.5	89.6	90.2				122.2
(99482. N/M2)	800	77.7	79.2	78.4	79.9	79.8	80.8	82.7	84.6	84.5	87.8	90.8	95.4	94.5				125.4
TAMB 56. DEG F	1000	78.3	78.1	81.0	78.9	79.3	81.9	83.4	83.6	87.9	90.6	89.7	89.9	91.3				130.8
(286. DEG K)	1250	80.2	80.9	82.3	84.5	83.2	84.4	85.9	86.4	88.4	88.9	89.1	91.5	89.9				128.8
TWET 53. DEG F	1600	78.8	78.7	79.4	81.2	81.8	83.2	83.3	84.0	84.3	85.0	86.3	86.7	83.4				129.3
(285. DEG K)	2000	79.8	77.8	78.0	81.6	80.9	79.8	83.7	83.0	86.1	86.3	88.4	90.5	87.1				125.9
HACT 8.91 GM/M3	2500	78.7	78.5	80.4	79.4	81.0	81.9	82.3	83.9	84.2	85.5	85.9	86.6	84.6				127.2
(.00891 KG/M3)	3150	76.5	77.8	78.2	78.6	79.0	78.7	81.6	81.8	83.7	85.0	85.3	86.3	83.0				125.7
FREQ. SHIFT	4000	74.0	75.0	76.3	77.9	78.2	80.4	80.4	81.3	82.1	83.8	82.9	81.6	77.9				124.7
JET 0	5000	74.8	76.1	75.7	76.9	77.9	78.4	79.9	81.4	81.7	83.3	83.1	81.0	77.8				123.0
DIAMETER RATIO	6300	73.7	75.6	75.5	76.9	78.4	78.7	80.2	79.4	80.3	81.7	81.4	79.2	75.1				122.7
DF/DM 1.00	8000	72.6	74.7	75.2	76.9	77.4	78.2	79.1	78.3	79.7	81.3	80.8	77.6	75.0				121.8
	10000	72.1	74.6	75.1	76.4	77.1	77.5	78.5	77.4	79.3	80.5	80.5	78.1	76.0				121.3
	12500	69.7	73.3	73.4	74.6	75.2	75.5	76.3	76.4	78.1	79.4	78.8	77.0	74.5				121.2
	16000	67.2	70.3	71.3	72.6	72.9	73.3	74.6	75.6	76.7	77.3	76.5	74.3	71.0				120.0
424	20000	63.4	67.7	67.9	69.5	69.7	70.2	71.5	71.8	73.7	74.4	73.1	70.1	68.1				118.5
	25000	60.1	64.6	64.1	67.2	65.7	67.7	68.1	69.4	69.6	71.9	69.4	66.8	64.9				115.7
	31500	55.5	60.1	59.4	63.8	61.9	65.5	64.3	67.0	65.9	69.6	65.7	63.3	61.9				113.1
	40000	52.8	56.5	55.3	61.8	57.6	62.2	59.1	65.0	62.7	64.5	62.2	59.8	59.3				110.8
	50000	52.5	54.7	51.9	61.0	54.6	61.7	56.0	65.7	61.4	64.8	62.6	61.8	61.6				108.7
	63000	54.1	54.5	52.2	59.6	55.2	61.0	56.2	64.3	63.0	66.9	64.4	64.1	63.8				110.4
	80000	54.9	55.5	52.8	57.8	56.3	58.7	57.7	63.9	64.6	68.6	66.4	65.9	66.4				114.1
OVERALL MEASURED																		118.2
OVERALL CALCULATED	89.7	90.4	90.7	92.0	92.2	93.4	94.6	95.1	97.1	98.4	99.2	102.1	103.1	109.3				141.2
PNDB	101.9	102.3	103.1	103.7	104.5	105.5	106.6	107.3	108.6	110.0	110.5	112.2	110.7	114.3				

MODEL SOUND PRESSURE LEVELS (59. DEG. F, 70 PERCENT REL. HUM, DAY - JENOTS)

ANGLES FROM INLET IN DEGREES (AND RADIAN)

SPL INPUT AT STD	30.	40.	50.	60.	70.	80.	90.	100.	110.	120.	130.	140.	150.	160.	0.	0.	0.	PWL
REV. ALPHA 12/73	FREQ. (0.52)	(0.70)	(0.87)	(1.05)	(1.22)	(1.40)	(1.57)	(1.75)	(1.92)	(2.09)	(2.27)	(2.44)	(2.62)	(2.79)	(0.)	(0.)	(0.)	
NO EGA	50	65.6	66.1	64.6	64.9	66.0	67.8	68.9	70.5	70.4	71.6	71.0	73.0	75.6	78.2			112.9
RDG. NO. G.	80	67.1	67.4	67.5	68.1	69.5	70.7	71.6	73.1	73.8	75.4	76.0	79.4	82.5	84.4			117.9
RADIAL 40. FT.	100	68.9	69.4	70.2	70.9	71.4	73.9	76.2	77.8	79.0	79.7	80.9	85.5	89.5	98.7			127.6
(12. M)	125	70.7	69.5	71.5	73.5	74.0	77.2	80.4	80.0	81.2	83.2	85.2	89.9	93.3	102.0			131.0
VEHICLE JENOTS	160	75.7	74.9	74.7	77.2	77.2	80.9	83.6	82.4	84.2	86.2	86.7	92.2	96.4	104.1			133.4
CONFIG JE-000	200	77.5	78.5	76.0	78.3	78.0	81.0	81.5	81.8	83.3	85.5	87.6	92.9	95.5	105.3			134.1
LOC EVENDALE	250	79.0	81.0	78.0	79.3	79.8	80.8	80.0	80.8	87.3	85.3	87.0	90.0	92.4	102.4			131.7
DATE 05-13-73	315	79.3	78.8	78.0	79.8	80.3	78.7	81.0	83.5	82.0	85.3	87.0	86.9	89.2	101.3			130.4
RUN DBTFMODEL10A	400	72.2	69.0	72.8	73.9	75.7	80.5	77.3	77.1	78.6	80.1	77.3	80.8	84.2	89.1			121.9
TAPE X10430	500	69.3	70.6	74.1	74.5	77.0	78.4	78.5	77.7	79.2	79.7	81.2	86.4	82.8	88.3			122.7
BAR 29.5 HG	630	74.6	75.7	74.0	73.5	77.2	77.8	77.4	79.1	80.4	81.5	84.2	90.1	89.4	89.8			125.4
(99482. N/M2)	800	77.5	79.2	78.4	79.0	79.8	80.3	82.9	84.6	84.5	87.5	90.0	95.3	94.0	93.7			130.2
TAMB 59. DEG F	1000	78.8	78.4	81.0	78.9	79.3	82.2	83.2	84.3	88.1	91.1	90.2	89.9	90.3	87.7			128.9
(288. DEG K)	1250	81.0	81.2	82.6	84.8	83.2	85.4	85.7	86.4	88.7	89.4	90.1	92.0	89.4	84.9			129.6
TWET 55. DEG F	1600	79.5	79.2	79.9	82.5	82.6	83.7	84.5	84.2	84.8	85.7	86.6	86.7	82.6	82.0			126.4
(286. DEG K)	2000	79.8	78.3	78.3	81.6	81.4	80.3	83.8	83.8	86.2	86.6	89.1	90.7	85.8	81.3			127.4
HACT 8.91 GM/M3	2500	79.8	78.8	81.0	80.7	81.8	83.1	82.8	84.6	84.7	87.0	86.7	87.6	83.1	79.6			126.5
(.00891 KG/M3)	3150	77.2	78.1	78.7	79.1	79.7	79.7	82.6	82.8	84.0	85.5	86.3	87.0	82.2	79.0			125.3
FREQ. SHIFT	4000	74.5	75.5	77.6	78.7	79.5	81.7	81.6	81.6	83.1	84.5	83.9	82.1	78.4	75.6			123.9
JET 0	5000	75.8	76.4	77.2	77.9	78.9	78.9	81.2	81.9	82.9	84.1	84.1	82.5	79.1	77.2			123.6
DIAMETER RATIO	6300	74.5	76.8	77.3	78.1	79.4	79.7	80.4	80.1	81.6	82.4	82.1	80.7	76.6	75.8			122.7
DF/DN 1.00	8000	74.1	75.7	75.9	78.2	79.4	79.5	79.9	79.3	80.9	82.0	81.3	79.6	76.5	77.0			122.4
	10000	73.1	76.6	77.1	78.4	79.1	79.7	79.5	78.9	80.5	81.3	81.0	79.8	77.3	77.9			122.6
	12500	71.7	75.5	76.4	77.3	77.5	77.5	77.8	78.4	80.1	81.2	80.1	79.2	75.9	77.3			122.0
	16000	68.7	73.0	74.5	75.6	75.3	75.3	75.9	76.6	78.2	79.0	77.5	76.2	73.2	76.8			120.3
	20000	65.9	69.7	70.9	73.2	73.2	72.4	73.0	73.5	75.4	75.4	74.6	72.8	70.4	76.9			118.0
	25000	61.9	66.8	68.1	70.2	69.4	69.7	70.3	70.6	72.1	72.7	71.6	69.8	66.4	77.6			115.8
	31500	57.5	62.6	63.9	65.6	64.9	66.2	66.8	68.0	68.4	69.1	68.0	65.8	63.6	76.3			113.2
	40000	54.3	58.8	59.0	61.8	61.1	60.4	61.4	62.3	63.9	65.0	64.9	61.1	60.0	77.5			111.7
	50000	53.2	55.4	55.4	58.7	57.2	57.5	58.0	60.2	61.7	65.1	63.3	60.8	60.9	75.0			110.6
	63000	55.1	54.3	54.2	58.7	55.7	55.7	56.2	61.0	62.7	66.9	65.0	63.2	62.6	75.9			113.5
	80000	55.5	54.6	54.1	58.1	55.9	57.0	56.8	59.2	64.1	68.9	66.0	65.2	64.7	77.2			117.7
OVERALL MEASURED																		
OVERALL CALCULATED		90.4	90.9	91.4	92.7	93.0	94.3	95.2	95.8	97.5	98.9	99.7	102.4	103.2	110.8			142.0
PND8		102.7	102.8	103.9	104.5	105.4	106.6	107.4	108.0	109.1	110.7	111.2	112.7	110.5	115.0			

ORIGINAL PAGE IS OF POOR QUALITY

ANGLES FROM INLET IN DEGREES (AND RADIANs)

SPL INPUT AT STD	30	40	50	60	70	80	90	100	110	120	130	140	150	160	0	0	0	PWL
REV. ALPHA 12/73	FREQ. (0.52)	(0.70)	(0.87)	(1.05)	(1.22)	(1.40)	(1.57)	(1.75)	(1.92)	(2.09)	(2.27)	(2.44)	(2.62)	(2.79)	(0.)	(0.)	(0.)	
NO EGA	50	63.1	64.3	62.9	63.9	64.5	65.1	66.1	68.3	69.9	71.1	71.8	74.8	77.6	79.7			113.3
RDG. NO. 0	80	67.6	67.6	67.0	68.1	68.5	69.9	71.3	71.8	73.8	76.4	79.2	82.9	86.0	87.6			120.5
RADIAL 40. FT.	100	69.2	68.7	70.4	70.9	71.4	73.4	76.5	76.8	79.5	81.4	84.2	89.0	93.0	101.7			130.5
(-12.5 M)	125	72.5	70.7	73.0	73.7	74.5	77.7	80.9	80.7	83.2	86.2	89.7	94.6	98.0	104.0			133.8
VEHICLE JENOTS	160	77.2	76.4	76.2	78.4	77.9	81.9	84.4	84.4	86.9	90.2	91.7	97.9	100.9	107.4			137.0
CONFIG JE-000	200	79.3	79.8	76.5	78.5	78.5	81.8	82.5	83.3	85.0	88.8	90.8	96.9	99.5	108.5			137.4
LOC - EVENDALE	250	82.0	83.8	79.5	80.5	80.5	82.3	81.8	82.8	90.8	90.3	92.5	95.5	97.2	107.1			136.3
DATE 05-13-75	315	82.5	81.3	80.5	81.5	81.8	80.0	82.3	86.3	86.0	90.8	93.5	95.1	95.4	104.8			134.6
RUN DBTFMODEL1CA	400	77.2	73.7	76.3	77.4	78.9	83.5	80.6	81.1	83.3	87.3	85.5	88.8	93.2	92.4			127.7
TAPE X1040	500	72.8	73.3	76.3	77.5	79.0	80.1	80.5	79.7	82.7	83.7	86.0	93.1	89.6	95.8			128.3
BAR 29.5 HG	630	77.3	77.7	77.2	76.0	79.2	80.5	81.1	82.9	84.7	86.7	91.0	97.1	96.4	97.1			131.8
(99482. N/M2)	800	79.2	81.4	80.6	81.3	82.9	84.9	86.8	89.0	89.5	93.3	96.7	103.3	101.0	102.5			137.4
TAMB -56. DEG F	1000	79.6	79.6	83.3	81.4	82.0	84.7	86.4	87.6	92.4	97.1	96.7	97.2	97.8	95.4			134.8
(286. DEG K)	1250	80.7	82.2	84.3	86.5	85.5	86.4	89.1	89.2	93.2	94.4	95.6	98.0	95.9	91.4			134.3
TWET 53. DEG F	1600	79.8	80.9	81.6	83.2	84.5	85.5	85.8	87.5	89.6	90.7	92.8	92.7	88.1	87.9			130.6
(285. DEG K)	2000	81.3	79.8	80.7	83.9	84.4	83.8	87.7	87.0	91.1	92.1	94.9	95.2	91.1	87.0			132.1
HACT 8.91 GM/M3	2500	79.7	78.7	82.2	81.7	83.0	83.6	85.0	87.9	88.7	91.3	91.9	91.4	87.4	82.9			129.9
(.00891 KG/M3)	3150	77.5	79.1	80.2	81.4	81.5	82.5	85.3	86.0	88.2	91.0	91.3	90.3	87.0	83.0			129.3
FREQ. -SHIFT	4000	75.3	76.3	78.6	79.9	81.0	82.9	83.4	84.8	87.1	89.0	87.6	85.4	81.4	77.6			127.0
JET 0	5000	76.3	76.9	77.7	78.7	80.4	80.4	82.7	84.9	86.4	88.6	87.8	83.7	80.1	77.9			126.5
DIAMETER RATIO	6300	75.0	76.3	76.5	77.9	79.9	80.2	81.7	82.4	84.6	85.9	84.9	81.9	76.3	75.1			124.6
DF/DM 1.00	8000	73.4	75.4	75.9	77.9	79.4	80.0	81.1	81.1	82.9	84.5	83.3	79.6	75.8	74.8			123.7
	10000	72.9	75.6	76.1	77.6	79.1	79.0	80.3	79.9	82.0	83.0	81.5	78.6	75.3	74.7			123.0
	12500	70.5	74.0	74.9	76.1	77.0	77.2	78.3	79.1	80.6	81.7	79.1	77.5	74.0	73.1			121.7
	16000	67.7	71.3	72.3	73.6	74.1	74.8	76.1	77.6	80.2	79.1	77.5	75.0	71.8	71.6			120.3
426	20000	64.4	67.9	68.9	70.7	71.5	71.2	72.8	74.1	76.2	75.9	74.1	71.6	68.4	71.4			117.3
	25000	60.4	65.3	65.9	68.0	67.7	69.0	69.6	70.4	71.9	72.9	70.6	68.0	65.6	73.1			114.7
	31500	56.3	60.1	62.1	63.8	63.2	65.5	66.0	67.5	68.1	68.8	66.7	64.8	62.4	73.5			112.0
	40000	53.1	56.3	58.3	60.1	59.1	59.4	60.9	64.0	63.7	64.7	62.7	60.6	59.8	75.3			110.2
	50000	53.2	54.2	54.7	59.7	55.9	56.4	57.0	64.9	61.9	65.3	63.1	61.5	60.6	76.0			111.4
	63000	54.8	55.3	54.2	58.6	54.9	56.0	55.9	67.5	63.0	67.6	65.4	63.6	63.1	77.9			115.2
	80000	55.7	57.0	53.8	58.6	56.3	57.4	57.0	69.2	64.4	69.4	66.2	65.4	64.7	77.9			118.9
OVERALL MEASURED																		
OVERALL-CALCULATED	91.7	92.2	92.8	94.0	94.6	95.8	97.5	98.6	101.3	103.8	105.2	108.5	108.6	114.5				146.2
PND8	103.4	103.8	105.1	106.0	106.8	107.9	109.7	110.9	113.0	115.4	116.4	117.5	116.0	118.8				

MODEL SOUND PRESSURE LEVELS (59. DEG. F, 70 PERCENT REL. HUM. DAY - JENOTS) ANGLES FROM INLET IN DEGREES (AND RADIAN)

SPL INPUT AT STD	30	40	50	60	70	80	90	100	110	120	130	140	150	160	0.	0.	0.	PWL
REV. ALPHA 12/73	FREQ. (0.52)	(0.70)	(0.87)	(1.05)	(1.22)	(1.40)	(1.57)	(1.75)	(1.92)	(2.09)	(2.27)	(2.44)	(2.62)	(2.79)	(0.)	(0.)	(0.)	
NO EGA	63	69.8	69.6	69.2	69.7	70.8	72.4	73.3	74.2	72.4	75.3	77.6	80.1	83.0	84.3			116.5
RDG. NO. 0.	80	71.6	70.9	71.3	71.1	72.0	74.2	74.8	75.8	75.3	78.1	81.7	84.9	88.0	89.6			122.7
RADIAL 40. FT.	100	72.4	71.9	73.4	74.2	74.9	77.2	78.7	79.8	80.7	82.9	86.2	91.3	94.5	105.7			134.0
(12. M)	125	74.7	73.5	75.5	76.2	76.7	81.0	83.4	83.2	84.7	88.5	91.7	97.1	99.5	106.0			135.8
VEHICLE JENOTS	160	79.9	78.7	78.4	81.2	80.9	84.7	87.4	87.4	90.7	93.7	95.9	100.9	103.6	108.6			139.2
CONFIG JE-000	200	81.8	82.8	79.0	81.3	81.0	84.5	84.8	85.5	88.5	92.3	94.3	99.9	102.0	110.0			139.3
LOC EVENDALE	250	83.8	85.3	81.8	82.3	82.3	83.8	83.8	84.8	92.3	91.5	94.5	97.8	98.9	108.4			137.8
DATE 05-13-75	315	85.5	84.3	83.5	84.0	84.5	83.0	84.8	89.0	90.0	94.3	97.3	98.9	98.4	105.0			136.6
RUN DBTFMODEL10A	400	79.7	77.2	79.1	80.7	82.9	87.0	84.8	84.8	87.1	90.8	90.0	92.0	95.0	94.4			130.7
TAPE X10490	500	78.1	79.1	81.8	82.3	84.2	85.6	85.2	84.7	88.4	88.2	91.0	97.6	94.6	100.3			133.0
BAR 29.5 HG	630	82.6	82.7	82.2	80.0	83.0	83.5	84.1	86.1	88.2	90.7	97.2	102.8	100.9	102.3			137.0
(99482. N/M2)	800	83.7	86.5	84.6	85.9	85.3	87.9	89.8	91.6	93.7	97.3	102.8	109.3	107.0	109.7			143.4
TAMB 56. DEG F	1000	83.8	83.9	86.8	85.7	85.5	88.4	90.4	92.1	97.1	101.3	101.7	102.4	103.8	102.7			140.0
(286. DEG K)	1250	85.5	87.2	88.6	90.5	90.2	91.9	94.1	94.4	97.7	99.4	101.6	103.7	102.7	100.2			140.0
TWET 53. DEG F	1600	84.8	85.9	85.6	88.0	89.5	90.5	91.0	92.2	94.6	96.0	97.3	97.4	94.6	95.9			135.6
(285. DEG K)	2000	85.3	84.5	85.0	88.4	88.4	87.1	92.5	91.8	95.7	97.6	99.4	100.7	98.1	96.5			137.3
HACT 8.91 GM/M3	2500	84.0	83.2	86.2	86.2	87.3	88.9	89.5	93.6	94.0	96.5	96.7	96.4	94.1	91.9			135.1
(.00891 KG/M3)	3150	81.5	83.1	84.2	85.1	86.0	86.0	90.1	91.3	94.0	96.0	95.8	95.3	93.7	91.5			134.3
FREQ. SHIFT	4000	79.3	79.8	81.8	83.7	85.2	87.7	87.6	89.6	92.4	94.0	92.6	90.6	87.9	86.4			131.9
JET 0	5000	80.1	80.1	81.0	82.7	84.6	84.7	87.7	90.1	91.7	93.8	92.1	89.2	86.3	84.2			131.4
DIAMETER RATIO	6300	78.5	79.6	79.5	81.4	83.6	84.2	86.9	87.6	90.1	91.2	89.9	86.7	82.1	80.6			129.6
DF/DH 1.04	8000	76.9	77.9	78.7	80.9	82.7	84.0	85.4	85.8	88.7	89.5	88.1	84.6	80.3	78.8			128.3
	10000	75.9	77.8	78.1	80.4	81.8	82.7	84.5	84.7	87.3	88.3	86.0	83.1	79.0	77.9			127.3
	12500	73.5	76.0	76.4	77.8	79.2	80.7	82.5	83.6	85.8	86.9	84.1	81.0	77.0	75.6			126.0
	16000	70.5	72.8	73.8	75.6	76.6	78.3	79.9	82.2	83.9	84.1	81.7	78.8	74.5	72.9			124.1
427	20000	66.9	69.7	70.4	73.2	73.5	74.9	76.5	77.8	80.4	79.9	79.1	75.6	71.6	70.7			121.0
	25000	62.6	66.3	67.4	70.7	69.7	71.5	73.6	74.4	76.6	76.9	74.9	72.3	69.4	69.6			118.2
	31500	58.3	61.6	62.6	66.6	65.2	67.7	69.3	70.7	72.1	74.1	72.0	69.6	67.4	69.0			115.2
	40000	54.6	57.8	59.8	63.8	62.1	62.9	64.1	66.0	67.2	72.2	69.9	67.8	67.3	71.0			113.2
	50000	53.2	55.4	59.4	64.2	61.4	63.2	63.5	65.7	63.4	74.6	71.6	70.5	70.4	73.2			115.6
	63000	54.8	55.0	61.9	65.9	63.4	65.2	64.7	67.5	63.2	77.4	73.7	73.1	72.3	75.6			119.8
	80000	55.7	55.8	63.1	66.6	65.1	66.9	66.7	69.4	65.1	79.4	75.4	74.4	76.2	77.4			124.8
OVERALL MEASURED																		
OVERALL CALCULATED		95.4	96.1	96.5	97.8	98.5	99.9	101.7	103.0	105.8	108.2	110.1	113.5	112.8	117.1			150.2
PND		107.4	107.7	108.9	109.8	110.8	112.2	114.1	115.8	118.0	120.1	120.9	122.7	121.2	123.4			

ORIGINAL PAGE IS OF POOR QUALITY

MODEL SOUND PRESSURE LEVELS (59. DEG. F, 70 PERCENT REL. HUM. DAY - JENOTS)

ANGLES FROM INLET IN DEGREES (AND RADIANS)

	30.	40.	50.	60.	70.	80.	90.	100.	110.	120.	130.	140.	150.	160.	0.	0.	0.	PWL
REV. ALPHA 12/73	FREQ. (0.52)	(0.70)	(0.87)	(1.05)	(1.22)	(1.40)	(1.57)	(1.75)	(1.92)	(2.09)	(2.27)	(2.44)	(2.62)	(2.79)	(0.)	(0.)	(0.)	
NO EGA	50	72.1	74.6	72.9	73.9	75.0	75.6	75.6	76.8	82.6	78.3	78.5	80.3	82.8	87.2			121.3
RDG. NO. 0.	63	73.3	74.1	73.4	74.2	75.0	76.2	76.5	77.4	82.6	78.6	80.3	83.2	85.5	87.6			122.3
RADIAL 40. FT.	80	74.6	74.6	74.8	75.4	76.5	77.4	77.8	78.8	82.3	81.1	84.5	87.6	90.5	92.4			125.7
(12. M)	100	75.2	75.7	76.2	77.7	77.9	80.2	81.7	83.1	84.0	85.7	88.9	93.5	97.0	104.5			133.9
VEHICLE JENOTS	125	77.7	76.0	77.7	79.0	79.5	82.7	85.4	85.5	87.5	90.0	93.5	98.6	101.5	108.0			137.8
CONFIG JE-000	160	82.4	80.4	80.4	82.7	82.9	86.7	88.9	88.9	93.2	94.4	96.7	101.9	105.1	109.9			140.5
LOC EVENDALE	200	84.0	84.3	81.0	82.3	83.3	86.8	86.5	87.5	90.0	93.0	95.3	101.1	103.0	111.3			140.6
DATE 05-13-75	250	85.3	87.3	83.3	83.8	84.8	85.8	85.5	86.3	93.3	92.5	96.0	99.3	100.4	109.9			139.3
RUN DBTFMODEL1GA	315	86.5	84.5	84.3	85.0	86.3	84.2	86.8	90.8	90.8	95.0	97.8	99.9	99.7	109.0			139.0
TAPE X10519	400	80.2	76.8	79.8	81.2	83.9	88.2	85.6	85.3	88.1	92.1	90.5	93.6	96.5	95.2			131.8
BAR 29.5 HG	500	77.4	78.9	82.3	82.3	84.5	86.4	86.2	86.5	89.2	88.2	92.7	96.9	92.4	98.6			132.5
(99583. N/M2)	630	82.1	82.5	82.2	79.7	83.7	83.8	84.1	86.1	87.7	90.2	95.7	100.6	97.7	99.9			135.0
TAMB 62. DEG F	800	83.6	85.5	85.4	85.3	85.8	87.3	89.4	92.1	92.8	97.3	101.2	107.1	103.1	105.6			140.9
(290. DEG K)	1000	84.2	84.0	87.0	85.2	85.5	89.2	90.2	91.6	96.6	101.6	101.5	101.3	100.5	98.8			139.0
TWET 56. DEG F	1250	84.9	86.6	88.6	91.0	89.5	91.7	93.2	94.9	98.4	99.9	100.8	101.6	100.1	96.4			139.0
(286. DEG K)	1600	84.5	85.7	86.4	87.7	89.3	91.0	92.0	92.7	93.6	95.5	97.1	97.9	92.6	93.9			135.4
HACT 8.91 GM/M3	2000	84.3	84.1	84.3	87.9	87.9	86.8	90.5	91.8	95.0	96.6	97.6	97.0	93.3	91.0			135.3
(.00891 KG/M3)	2500	83.8	83.3	86.5	85.9	87.3	89.1	90.1	92.6	93.7	96.3	95.7	94.7	90.9	88.5			134.4
FREQ. SHIFT	3150	81.4	83.7	84.2	84.9	85.8	86.3	89.3	90.5	93.5	94.8	94.3	92.4	89.6	89.2			133.1
JET 0	4000	79.0	80.8	83.1	83.7	85.3	87.7	87.9	89.3	91.9	93.5	91.2	87.7	85.2	84.6			131.3
DIAMETER RATIO	5000	80.1	81.7	82.7	83.4	84.1	84.9	87.4	89.1	91.7	93.1	91.6	88.0	85.7	85.2			131.0
DF/DM 1.00	6300	79.4	81.0	82.3	82.9	84.4	85.2	87.0	87.4	89.8	90.7	89.9	87.4	84.8	85.5			129.8
	8000	78.9	81.5	81.7	83.2	84.2	84.8	86.4	86.9	88.9	89.6	88.3	86.9	85.1	85.8			129.3
	10000	78.7	82.7	82.9	83.4	84.4	84.3	85.5	86.2	88.5	88.8	87.8	87.0	85.2	86.5			129.3
	12500	77.1	81.6	81.7	82.9	83.5	83.5	84.1	84.9	87.4	88.2	86.4	86.4	84.3	85.5			128.7
	16000	74.0	79.5	80.3	81.9	81.2	81.6	82.4	83.7	86.5	85.9	84.0	83.5	81.5	83.4			127.3
	20000	71.0	76.6	77.7	78.8	78.8	79.2	80.1	80.9	83.2	83.0	82.2	80.2	78.8	81.8			125.0
	25000	68.1	74.1	74.9	76.8	75.5	76.8	76.9	78.2	80.7	80.5	78.7	77.0	75.9	83.3			123.0
	31500	63.9	68.9	70.7	72.7	71.5	73.3	74.1	74.8	76.7	76.9	75.3	73.4	72.7	80.1			120.0
	40000	60.6	65.3	66.6	69.7	67.7	67.8	69.0	70.4	72.0	74.0	72.2	69.8	69.8	80.8			117.8
	50000	57.4	61.3	62.0	67.6	64.7	64.8	66.1	68.0	69.8	75.2	73.4	71.7	71.5	83.4			119.4
	63000	57.1	58.5	58.5	68.2	65.3	65.3	66.0	69.9	67.3	77.2	75.0	74.1	73.8	86.6			123.6
	80000	59.1	57.5	56.2	67.9	65.9	67.0	67.3	71.0	68.2	79.4	76.8	77.1	76.6	88.8			128.8
OVERALL MEASURED																		
OVERALL-CALCULATED	96.0	96.8	97.4	98.4	99.1	100.6	101.9	103.3	106.0	108.3	109.6	112.4	111.9	117.6				150.1
PNOB	107.7	108.6	109.7	110.1	111.2	112.7	114.1	115.7	118.0	119.8	120.2	121.5	119.3	122.7				

428

		ANGLES FROM INLET IN DEGREES (AND RADIANS)																		PWL
SPL INPUT AT STD	REV. ALPHA 12/73	FREQ.	30.	40.	50.	60.	70.	80.	90.	100.	110.	120.	130.	140.	150.	160.	0.	0.	0.	PWL
			(0.52)	(0.70)	(0.87)	(1.05)	(1.22)	(1.40)	(1.57)	(1.75)	(1.92)	(2.09)	(2.27)	(2.44)	(2.62)	(2.79)	(0.)	(0.)	(0.)	
	NO EGA	50	65.1	67.3	66.4	66.4	67.7	70.3	69.6	70.3	70.1	71.1	71.3	73.8	76.3	78.2				113.5
	RDG. NO. 0.	63	67.6	68.3	67.9	68.5	68.8	71.2	71.8	72.2	72.1	73.1	73.8	76.9	80.5	81.1				116.0
	RADIAL 40. FT.	80	68.1	69.4	69.5	70.1	71.0	72.7	73.3	73.3	74.8	76.1	77.5	81.1	84.5	86.1				119.6
	(12. M)	100	70.9	71.4	72.7	73.4	73.7	75.9	77.7	78.3	80.0	80.4	82.2	87.0	91.3	102.7				131.0
	VEHICLE JENOTS	125	72.0	71.2	73.5	75.2	75.7	79.0	81.9	81.5	82.5	84.7	86.7	91.9	95.3	102.8				132.2
	CONFIG JE-000	160	77.2	76.7	76.4	78.4	78.4	82.7	84.6	83.7	85.9	87.4	88.4	94.2	97.9	100.6				132.4
	LOC EVENDALE	200	78.3	79.5	77.5	79.0	79.8	83.0	83.3	83.5	84.5	86.8	88.3	94.4	97.0	107.3				135.9
	DATE 05-13-75	250	80.8	83.8	80.5	81.8	82.3	83.3	82.3	82.8	89.0	87.0	88.3	92.5	93.4	100.6				131.6
	RUN DBTFMODEL11A	315	81.3	81.5	80.5	81.3	82.0	80.7	82.8	85.8	84.8	87.3	88.8	89.4	90.7	95.3				128.8
	TAPE X11010	400	75.2	71.7	75.1	75.9	77.9	82.5	79.3	79.3	81.6	82.8	79.3	82.5	86.2	86.6				123.3
	BAR 29.5 HG	500	71.3	72.8	77.6	76.8	79.5	81.1	81.0	80.2	81.9	81.7	83.2	86.4	82.8	89.1				124.2
	(99550. N/M2)	630	76.1	77.0	76.2	75.2	78.0	78.5	78.6	79.1	80.7	81.5	84.0	90.1	89.4	90.1				125.6
	TAMB 68. DEG F	800	79.2	80.7	80.4	80.3	80.8	81.8	83.9	85.1	84.8	88.0	90.2	95.0	94.2	93.0				130.4
	(293. DEG K)	1000	79.6	79.6	81.8	79.9	80.0	83.2	83.7	84.6	87.9	90.6	90.5	88.7	91.4	87.7				129.0
	TWET 59. DEG F	1250	81.0	81.9	84.1	85.3	84.7	85.9	86.9	87.2	89.4	89.4	89.8	90.5	88.2	85.9				129.8
	(288. DEG K)	1600	80.8	80.7	81.7	83.5	84.1	85.5	86.5	85.5	85.3	85.7	87.1	86.2	83.4	84.0				127.3
	HACT 8.91 GM/M3	2000	80.3	78.8	79.0	81.6	82.5	81.1	84.0	84.3	86.7	86.9	88.7	89.7	84.6	81.8				127.4
	(.00891 KG/M3)	2500	80.3	80.3	82.7	81.4	83.1	84.4	84.1	85.6	85.5	87.8	88.2	86.7	84.9	81.5				127.4
	FREQ. SHIFT	3150	78.2	79.8	80.7	80.4	80.8	81.0	83.1	83.6	85.0	86.5	87.3	87.3	83.7	81.8				126.3
	JET 0	4000	75.5	77.1	79.4	79.4	80.5	82.4	81.9	82.6	84.2	86.3	86.2	83.7	80.4	79.4				125.3
	DIAMETER RATIO	5000	76.6	77.9	78.7	78.7	79.7	80.0	82.2	82.6	84.4	87.1	88.6	85.2	81.4	81.0				126.0
	DF/DM 1.00	6300	75.5	77.4	78.8	79.4	79.9	80.2	81.2	81.4	83.3	85.7	88.4	85.0	80.4	80.4				125.6
		8000	74.9	77.7	78.2	79.0	80.2	80.3	80.7	80.9	83.0	85.8	87.4	85.4	81.1	81.1				125.5
		10000	74.9	78.9	79.9	80.7	80.2	80.1	79.8	80.2	82.8	85.6	86.8	84.7	80.9	80.5				125.6
		12500	73.3	78.1	79.7	79.2	78.1	78.6	78.6	79.5	82.6	85.0	85.4	83.3	80.5	79.4				125.0
		14000	69.6	76.1	77.4	77.9	76.5	76.1	76.2	78.0	80.5	82.9	83.6	81.4	78.1	77.0				123.4
429		20000	66.8	73.3	75.0	74.6	74.6	73.0	73.4	75.2	78.3	79.5	80.2	78.0	75.3	75.3				120.9
		25000	63.8	70.7	72.0	72.6	71.1	70.4	70.5	72.3	75.0	76.3	76.3	74.9	72.5	74.0				118.3
		31500	59.2	66.0	67.6	68.3	67.3	66.9	66.7	68.9	70.5	73.2	72.4	71.0	68.8	72.4				115.2
		40000	56.2	62.4	62.9	64.2	63.3	61.1	61.1	64.7	66.3	67.9	67.1	65.0	63.9	72.4				111.6
		50000	54.7	58.9	59.4	61.2	58.6	57.1	57.9	65.1	63.3	66.2	64.5	63.0	62.3	74.7				111.5
		63000	55.0	57.5	56.9	59.3	56.6	56.1	56.6	67.5	63.9	67.8	65.4	63.3	63.5	76.6				114.7
		80000	55.6	56.0	56.0	58.5	56.8	56.6	56.9	69.1	64.8	69.0	66.4	64.9	65.4	77.1				118.6
	OVERALL MEASURED																			
	OVERALL CALCULATED		91.5	92.7	93.4	93.9	94.4	95.6	96.4	96.9	98.7	100.1	101.2	103.3	104.4	110.9				142.9
	PNOB		103.6	104.4	105.7	105.6	106.6	107.8	108.3	109.1	110.3	112.0	113.0	113.3	111.7	116.1				

ORIGINAL PAGE IS OF POOR QUALITY

MODEL SOUND PRESSURE LEVELS (59. DEG. F, 70 PERCENT REL. HUM., DAY - JENOTS)

SPL INPUT AT STD REV. ALPHA 12/73	FREQ.	ANGLES FROM INLET IN DEGREES (AND RADIANS)															PWL		
		30.	40.	50.	60.	70.	80.	90.	100.	110.	120.	130.	140.	150.	160.	0.		0.	0.
		(0.52)	(0.70)	(0.87)	(1.05)	(1.22)	(1.40)	(1.57)	(1.75)	(1.92)	(2.09)	(2.27)	(2.44)	(2.62)	(2.79)	(0.)	(0.)	(0.)	
NO EGA	50	64.6	65.3	67.6	67.9	68.5	69.3	70.1	69.3	71.1	72.3	78.0	87.0	79.8	80.2				119.3
RDG. NO. 0.	63	68.1	68.6	69.7	69.5	70.3	70.9	72.5	72.7	73.4	74.8	77.6	90.6	84.2	84.1				122.6
RADIAL 40. FT. (12. M)	80	70.4	70.9	71.8	72.1	73.0	73.7	74.6	74.8	76.6	78.1	81.7	94.4	88.5	89.4				126.5
VEHICLE JENOTS	100	72.7	72.4	74.4	74.9	75.7	77.2	80.2	80.1	81.5	82.7	85.9	100.5	94.8	106.4				136.3
CONFIG JE-000	125	75.0	74.2	76.7	78.2	78.5	81.7	84.4	84.0	85.2	87.2	90.2	105.1	99.0	106.5				138.3
LOC EVENDALE	160	80.7	79.7	79.7	81.4	81.7	85.4	87.4	86.4	88.7	89.9	91.7	107.2	101.4	104.9				139.5
DATE 05-13-75	200	81.3	82.3	80.3	81.8	82.5	85.5	85.8	85.5	87.0	89.3	90.6	106.6	99.7	107.5				139.6
RUN DBTFMODEL11A	250	83.3	85.8	83.0	84.3	84.5	85.8	84.5	84.8	91.0	88.0	90.0	103.8	95.2	101.4				136.2
TAPE X11030	315	83.8	84.0	83.3	84.3	85.5	84.0	85.5	88.8	87.0	89.0	89.5	101.1	91.2	97.3				133.8
BAR 29.5 HG	400	77.7	74.0	78.1	78.9	80.9	85.5	82.1	82.8	84.1	85.3	82.5	95.0	87.5	91.1				128.5
(99550. N/M2)	500	74.8	75.8	80.3	80.0	82.0	83.6	84.2	82.7	84.9	84.4	86.5	98.6	83.8	91.1				130.6
TAMB 68. DEG F	630	80.8	81.2	80.5	80.5	83.7	83.8	83.6	84.1	84.9	85.5	87.5	101.8	89.9	93.8				133.3
(293. DEG K)	800	82.7	84.9	85.4	85.5	86.3	87.0	88.4	89.4	89.3	92.0	93.5	106.0	94.0	93.0				137.5
TWET 59. DEG F	1000	83.1	83.4	87.3	84.9	84.8	87.7	87.4	88.6	92.1	94.3	93.5	99.4	91.4	87.9				133.9
(288. DEG K)	1250	82.7	85.9	87.9	89.0	87.7	89.2	90.2	90.7	92.9	92.6	92.1	101.7	90.2	87.2				135.1
HACT 8.91 GM/M3	1600	83.0	84.0	84.7	86.2	87.3	88.5	88.8	89.0	89.1	90.5	89.8	98.0	86.4	86.7				132.3
(.00891 KG/M3)	2000	82.8	83.1	83.0	85.4	87.5	85.8	88.5	88.8	91.5	93.1	91.2	100.7	87.6	85.3				134.0
FREQ. SHIFT	2500	83.3	83.5	87.0	86.4	86.8	88.4	88.1	89.6	90.8	95.8	93.5	99.7	88.1	85.5				134.3
JET 0	3150	81.7	84.6	85.9	85.6	86.3	86.3	88.1	89.3	91.0	94.8	93.3	101.8	89.2	87.1				135.3
DIAMETER RATIO	4000	80.0	81.8	84.6	84.4	85.5	87.4	88.1	89.3	91.7	95.0	92.9	98.9	86.4	84.9				133.8
DF/DM 1.00	5000	81.4	82.9	84.2	84.7	85.2	85.5	87.5	90.4	92.7	97.6	95.1	100.5	88.1	87.7				135.4
	6300	81.5	83.4	84.5	85.4	86.2	87.2	89.0	89.7	93.3	98.0	96.2	101.5	89.1	88.4				136.3
	8000	81.7	84.0	84.5	85.7	86.7	87.5	89.2	90.4	94.0	98.3	97.4	103.7	90.1	90.1				137.8
	10000	82.7	85.1	86.1	86.2	86.9	87.8	88.8	91.0	95.1	98.3	97.6	104.7	91.6	90.7				138.8
	12500	80.8	84.6	85.5	86.2	85.8	87.3	87.9	91.0	94.4	97.5	95.9	103.6	90.8	89.7				138.2
	16000	78.3	82.4	84.1	84.4	84.7	85.9	86.7	90.0	93.3	95.4	94.1	102.4	89.1	88.0				137.2
	20000	75.8	80.6	82.3	83.1	83.3	83.5	84.9	87.4	90.8	92.5	91.7	99.5	86.3	85.6				134.9
430	25000	72.0	78.5	80.0	81.3	80.3	81.1	82.2	85.0	88.0	89.8	88.0	95.9	83.3	82.2				132.3
	31500	67.9	74.3	75.8	77.5	76.6	77.9	79.2	81.9	83.8	86.7	84.6	92.0	79.5	78.4				129.1
	40000	63.7	70.4	73.2	74.0	73.1	73.1	74.6	77.0	79.1	81.9	79.1	86.2	74.4	74.9				124.8
	50000	60.2	66.6	69.4	71.2	69.3	70.1	70.6	73.3	74.8	79.0	76.7	82.5	70.3	73.9				122.4
	63000	57.8	62.5	66.9	69.8	67.1	67.1	67.6	70.7	70.9	76.1	76.1	78.3	68.0	76.1				121.6
	80000	57.6	58.2	64.5	68.5	66.5	67.4	67.4	70.6	67.3	73.0	76.9	77.1	67.1	77.6				123.9
OVERALL MEASURED																			
OVERALL CALCULATED		95.1	96.9	98.0	98.5	99.1	100.2	101.1	102.4	105.0	108.0	107.0	116.6	107.5	113.3				150.1
PND8		107.1	108.7	110.1	110.3	111.1	112.2	113.1	114.1	116.4	119.9	118.5	127.2	115.9	118.5				

		ANGLES FROM INLET IN DEGREES (AND RADIANS)																		
SPL INPUT AT STD		30.	40.	50.	60.	70.	80.	90.	100.	110.	120.	130.	140.	150.	160.	0.	0.	0.	PWL	
REV. ALPHA 12/73	FREQ.	(0.52)	(0.70)	(0.87)	(1.05)	(1.22)	(1.40)	(1.57)	(1.75)	(1.92)	(2.09)	(2.27)	(2.44)	(2.62)	(2.79)	(0.	(0.	(0.)		
	50	71.1	71.3	71.4	71.2	72.0	72.8	74.1	76.0	77.9	78.3	79.0	82.0	85.1	84.0				120.2	
NO EGA	63	73.1	72.8	73.2	73.7	74.3	75.4	76.8	76.9	76.9	79.3	81.3	85.4	89.0	88.8				123.2	
RDG. NO. 0	80	75.1	74.6	75.5	76.1	76.5	77.4	78.8	79.3	80.3	82.4	85.7	89.6	93.3	94.4				127.5	
RADIAL 40. FT.	100	77.2	76.7	78.4	78.7	79.2	81.2	83.5	83.8	85.7	87.2	90.2	95.8	99.8	110.9				139.2	
(12. M)	125	79.2	78.0	80.2	81.2	81.5	84.7	87.7	87.5	88.7	91.2	94.5	100.4	104.0	111.3				140.6	
VEHICLE JENOTS	160	83.4	83.2	82.9	85.2	85.2	88.9	90.9	89.7	92.2	93.9	96.2	102.4	105.6	109.1				140.4	
CONFIG JE-000	200	84.0	84.8	83.5	85.0	85.5	89.0	89.0	88.5	90.3	92.3	95.1	101.4	103.7	110.5				140.3	
LJC EVENDALE	250	87.0	88.5	85.8	87.0	87.0	89.0	88.0	88.0	93.8	92.0	94.8	98.8	99.9	106.6				137.5	
DATE 05-13-75	315	87.8	87.3	86.0	87.8	88.8	87.7	89.5	92.3	91.0	93.5	95.3	96.9	96.2	101.8				135.3	
RUN DBT FMODEL11A	400	81.2	77.2	81.3	83.2	84.9	89.5	86.1	86.8	88.8	90.8	87.5	90.3	93.0	94.1				130.6	
TAPE X11050	500	78.1	79.6	83.8	83.3	85.5	87.1	88.0	87.5	89.4	88.9	90.7	92.6	87.8	93.8				130.6	
BAR 29.5 HG	630	85.1	86.0	85.0	84.0	87.5	87.8	87.4	87.9	88.9	89.7	92.2	95.6	92.2	96.6				132.3	
(99550. N/M2)	800	87.5	90.7	90.9	91.3	91.3	91.5	92.9	93.6	93.3	97.0	98.7	100.5	97.7	98.0				137.4	
TAMB 68. DEG F	1000	87.1	88.4	91.5	89.9	89.3	92.2	92.4	93.1	97.6	101.1	100.0	95.2	96.1	92.9				137.9	
(293. DEG K)	1250	87.0	90.9	92.9	94.5	93.0	94.7	96.2	96.7	98.9	100.1	99.8	99.2	97.4	93.9				139.2	
TWET 59. DEG F	1600	87.5	89.5	89.7	92.2	93.1	95.5	95.3	95.5	96.1	98.5	97.3	96.2	93.6	93.7				137.4	
(288. DEG K)	2000	87.6	88.8	89.0	91.6	93.2	91.8	94.5	95.3	97.5	99.6	96.9	97.0	94.1	91.5				137.5	
HACT 8.91 GM/M3	2500	88.3	89.0	92.2	92.2	93.3	94.4	94.6	96.9	98.5	102.5	98.7	95.9	95.1	92.5				139.1	
(.00891 KG/M3)	3150	87.0	90.1	91.9	91.9	92.8	92.8	94.8	95.8	98.0	102.0	98.1	96.3	94.7	93.1				138.6	
FREQ. SHIFT	4000	85.0	87.6	90.1	90.7	91.8	93.7	95.1	96.1	97.9	101.5	97.7	93.7	91.7	90.4				138.2	
JET 0	5000	86.6	88.6	89.5	90.5	91.7	91.7	95.0	96.6	99.4	101.9	99.3	95.7	94.1	93.0				139.0	
DIAMETER RATIO	6300	86.5	88.9	90.3	91.1	92.4	93.5	96.0	96.4	100.1	102.2	99.7	96.5	93.6	93.4				139.6	
DF/DM 1.00	8000	87.7	89.5	90.5	91.7	93.0	94.0	96.4	97.6	101.2	103.3	101.1	98.2	95.6	95.3				141.0	
	10000	88.7	91.1	91.4	92.5	93.9	95.3	96.8	98.2	102.3	103.1	102.3	99.4	97.6	97.5				142.0	
	12500	88.3	91.1	91.7	92.7	93.6	94.8	96.6	98.7	101.9	102.7	101.4	100.1	98.0	96.9				142.1	
	16000	86.3	90.1	91.4	93.2	92.5	93.9	95.2	97.7	100.0	100.4	99.8	98.1	96.6	95.0				140.9	
	20000	84.5	88.8	90.0	91.8	90.3	91.3	93.1	94.4	97.3	97.3	96.7	95.0	93.8	92.3				138.5	
431	25000	81.0	86.0	88.0	89.8	87.3	88.9	91.0	91.5	94.5	94.8	93.0	91.7	90.0	88.5				136.3	
	31500	76.4	81.8	83.1	84.8	83.8	85.6	87.7	88.4	90.5	91.7	89.9	87.7	86.3	83.7				133.5	
	40000	73.2	78.4	79.2	81.5	80.3	80.4	82.6	84.7	87.3	87.9	85.8	82.7	81.7	79.4				130.1	
	50000	69.9	74.4	75.4	77.9	76.1	76.6	78.9	81.8	83.3	84.5	82.2	79.0	78.1	76.7				127.6	
	63000	68.0	71.0	71.4	75.6	71.9	72.6	74.6	80.5	80.2	82.3	79.6	76.8	76.0	77.6				126.9	
	80000	67.1	67.0	67.0	71.5	68.8	69.4	70.7	80.1	77.5	81.0	78.6	75.9	76.9	77.8				128.5	
OVERALL MEASURED																				
OVERALL CALCULATED		100.1	102.3	103.4	104.5	104.9	106.2	107.6	108.8	111.5	113.4	112.0	111.9	112.4	117.5				153.0	
PND8		111.9	114.0	115.4	116.0	116.9	118.0	119.4	120.3	122.6	125.5	123.2	122.2	121.2	122.9					

ORIGINAL PAGE IS OF POOR QUALITY

MODEL SOUND PRESSURE LEVELS (59. DEG. F., 70 PERCENT REL. HUM., DAY - JENOTS)

SPL INPUT AT STD REV. ALPHA 12/73	FREQ.	ANGLES FROM INLET IN DEGREES (AND RADIANs)															PWL		
		30. (0.52)	40. (0.70)	50. (0.87)	60. (1.05)	70. (1.22)	80. (1.40)	90. (1.57)	100. (1.75)	110. (1.92)	120. (2.09)	130. (2.27)	140. (2.44)	150. (2.62)	160. (2.79)	0. (0.)		0. (0.)	0. (0.)
NO EGA	50	71.3	73.3	73.6	73.4	73.7	76.1	77.9	77.3	74.9	78.6	78.8	80.0	82.1	82.0				119.7
RDG. NO. 0.	63	72.8	73.3	74.7	73.7	73.8	78.2	78.0	78.4	76.4	78.1	79.3	82.6	85.5	85.6				121.4
RADIAL 40. FT. (12. M)	80	73.9	74.1	75.0	74.9	75.3	77.7	78.8	79.6	78.1	81.1	83.0	85.9	89.5	90.6				124.5
VEHICLE JENOTS	100	74.7	74.7	76.7	76.4	76.9	80.2	82.2	83.8	83.2	84.9	87.9	92.5	96.0	107.2				135.6
CONFIG JE-000	125	76.5	75.7	77.5	79.0	79.0	83.0	85.4	86.0	86.5	89.5	92.7	97.6	100.8	107.3				137.0
LOC EVENDALE	160	81.4	80.2	80.2	82.2	81.7	85.4	88.4	87.9	89.9	92.7	94.4	99.4	103.6	105.9				137.7
DATE 05-13-75	200	83.0	83.0	79.8	81.5	82.3	86.3	85.5	86.5	88.3	91.5	93.3	99.4	101.7	113.8				142.0
RUN DBTFMODEL11A	250	84.5	86.8	83.0	84.3	84.8	86.3	85.8	86.5	93.3	91.5	94.0	97.5	99.2	106.6				137.0
TAPE X11110	315	85.8	84.3	83.3	84.3	85.0	84.2	86.0	89.5	89.3	92.5	94.8	97.1	96.9	101.3				134.5
BAR 29.5 HG	400	79.4	75.5	78.6	79.4	81.7	86.0	83.6	84.3	86.8	89.8	86.8	90.3	94.2	91.1				129.3
(99516. N/M2)	500	75.3	76.6	80.3	81.3	82.2	84.4	84.7	84.5	86.7	86.2	88.7	92.1	88.8	94.8				129.1
TAMB 68. DEG F	630	80.3	80.5	80.2	78.2	81.5	82.3	81.6	82.9	85.2	86.5	91.0	96.3	94.7	97.1				131.4
(293. DEG K)	800	81.7	83.7	83.4	83.8	83.5	84.5	86.4	88.1	88.8	93.3	97.2	102.0	99.0	100.5				136.3
TWET 57. DEG F	1000	81.6	81.1	85.0	82.7	82.8	85.2	86.7	87.3	92.6	96.6	97.2	93.9	96.8	93.7				134.3
(287. DEG K)	1250	81.7	83.7	85.9	87.8	86.2	88.2	89.7	90.4	93.7	95.1	96.1	96.0	93.7	90.7				134.2
HACT 8.91 GM/M3	1600	81.8	82.7	83.7	85.2	86.1	88.5	89.0	89.0	89.6	91.2	92.6	91.2	88.6	88.7				131.3
(.00891 KG/M3)	2000	81.6	80.8	81.8	84.1	85.2	83.8	87.0	87.3	91.0	92.1	93.9	93.0	88.1	85.5				131.3
FREQ. SHIFT	2500	81.8	81.0	84.2	83.7	85.1	86.4	86.8	88.6	89.8	93.1	93.0	90.2	87.9	85.0				131.1
JET 0	3150	79.7	81.6	83.2	83.4	83.5	83.8	85.6	86.8	89.2	92.1	92.1	89.8	87.0	85.8				130.2
DIAMETER RATIO	4000	77.8	78.9	81.4	82.0	82.5	85.5	84.7	86.4	89.0	91.6	91.0	86.7	84.5	82.9				129.3
DF/DM 1.00	5000	78.9	79.9	80.8	81.8	82.2	82.2	84.7	86.4	89.5	93.2	92.6	88.5	85.2	84.8				130.3
432	5300	77.9	79.9	80.9	81.7	82.2	83.1	84.8	85.0	88.4	91.5	93.2	88.8	84.7	85.4				130.0
	8000	77.8	80.6	81.3	81.6	83.1	83.6	84.5	85.2	88.3	91.9	92.7	89.8	85.9	86.4				130.4
	10000	77.6	81.8	82.0	82.4	82.8	85.0	83.0	84.6	88.7	91.5	92.0	89.8	86.5	85.9				130.4
	12500	76.5	81.3	81.4	81.6	81.0	81.8	82.3	83.7	88.1	90.4	90.1	88.6	85.5	84.9				129.5
	16000	73.8	78.9	79.9	80.4	80.2	79.6	80.0	83.2	86.5	88.4	88.6	86.4	83.4	82.2				128.3
	20000	71.1	76.9	77.5	78.1	77.6	76.8	77.9	80.2	84.3	85.3	85.7	83.5	80.5	79.8				126.0
	25000	67.8	74.8	75.5	76.4	74.9	74.4	75.5	77.8	80.8	82.4	81.6	80.2	78.1	76.8				123.4
	31500	64.5	70.8	71.8	72.3	71.1	71.6	72.0	74.4	76.5	78.8	78.7	76.5	74.3	74.2				120.4
	40000	61.5	67.4	68.4	69.2	67.8	66.6	67.8	70.2	71.6	74.9	74.6	71.7	71.4	73.4				117.3
	50000	58.3	65.0	65.8	67.6	64.7	64.8	65.6	67.3	67.8	75.4	74.7	71.6	72.0	74.3				117.6
	63000	57.7	64.9	64.2	68.0	65.5	65.8	65.7	68.3	65.8	77.7	75.7	73.7	74.1	76.2				120.9
	80000	56.7	64.3	64.3	67.3	66.3	66.7	67.7	69.4	65.6	79.1	77.4	75.1	75.9	78.1				125.3
OVERALL MEASURED																			
OVERALL CALCULATED		94.4	95.3	95.9	96.6	97.0	98.5	99.5	100.5	103.2	105.6	106.9	108.8	109.8	116.7				148.1
PND8		105.9	106.7	107.9	108.4	109.1	110.5	111.3	112.6	114.8	117.4	118.2	117.9	116.5	121.8				

SPL INPUT AT STD REV. ALPHA 12/73	FREQ.	ANGLES FROM INLET IN DEGREES (AND RADIANs)															PWL		
		30. (0.52)	40. (0.70)	50. (0.87)	60. (1.05)	70. (1.22)	80. (1.40)	90. (1.57)	100. (1.75)	110. (1.92)	120. (2.09)	130. (2.27)	140. (2.44)	150. (2.62)	160. (2.79)	0. (0.)		0. (0.)	0. (0.)
NO EGA	50	69.1	70.1	70.6	71.2	72.5	72.6	72.9	76.5	77.6	78.6	80.3	82.8	85.1	85.0				120.6
RDG. NO. 0.	63	71.6	71.8	72.4	72.7	73.3	74.9	75.8	76.4	77.6	80.3	83.3	86.6	89.2	88.8				123.7
RADIAL 40. FT. (12. M)	80	74.4	73.4	74.3	75.1	76.0	77.4	78.6	78.8	80.3	83.4	87.0	90.6	93.8	94.6				128.0
VEHICLE JENOTS	100	75.9	75.4	77.9	77.9	78.7	80.7	83.2	83.6	85.5	87.7	91.7	96.8	100.5	110.7				139.2
CONFIG JE-000	125	78.7	77.2	79.5	80.7	81.5	84.7	88.2	87.5	89.2	92.5	96.2	101.6	105.0	110.8				140.7
LOC EVENDALE	160	83.7	82.9	82.9	83.9	84.7	88.4	91.1	90.2	92.7	95.7	97.9	103.9	107.6	111.4				142.2
DATE 05-13-75	200	84.8	84.8	83.0	84.5	85.3	88.3	88.8	89.3	90.5	94.3	97.1	103.1	105.2	113.5				142.7
RUN DBT FMODEL11A	250	87.3	89.5	86.3	87.0	87.0	88.5	88.0	88.5	95.5	94.0	97.8	101.5	101.9	106.6				138.7
TAPE X11130	315	88.8	88.3	86.8	87.3	89.3	87.5	89.3	92.8	92.3	95.0	97.5	101.4	98.9	106.8				138.4
BAR 29.5 HG (99550. N/M2)	400	82.4	78.2	81.6	82.4	84.7	89.5	86.6	87.6	89.3	91.8	89.0	93.8	95.7	97.1				132.2
TAMB 68. DEG F (293. DEG K)	500	78.8	79.8	83.6	83.8	85.5	87.1	87.7	87.5	89.2	89.4	92.0	95.1	89.3	98.3				132.1
TJET 57. DEG F (287. DEG K)	630	84.3	84.7	84.0	83.0	86.5	86.3	85.9	87.4	88.7	90.0	93.7	98.3	94.7	100.3				133.9
HACT 8.91 GM/M3 (.00891 KG/M3)	800	86.2	88.9	89.1	89.3	89.3	89.5	91.7	92.4	92.5	97.0	99.7	102.8	99.0	99.7				138.0
FREQ. SHIFT	1000	86.1	86.9	90.5	87.9	88.0	90.7	90.4	91.6	96.1	100.1	100.0	95.4	96.8	93.2				137.1
JET 0	1250	85.7	88.9	91.1	92.5	91.2	93.2	94.9	94.7	97.2	98.4	98.6	97.7	95.7	91.2				137.6
DIAMETER RATIO DF/DM 1.00	1600	86.0	87.7	88.4	90.0	90.8	92.7	93.8	93.2	93.8	95.7	95.6	94.2	91.6	91.0				135.3
	2000	86.3	87.3	86.5	89.6	90.7	89.8	92.0	92.3	94.5	96.9	94.9	94.7	90.8	88.3				134.9
	2500	86.0	86.8	90.5	89.7	90.8	91.7	91.8	94.9	95.5	99.3	96.5	92.9	91.6	89.0				136.3
	3150	85.2	88.1	89.2	89.2	90.0	89.3	91.6	92.8	95.0	99.1	96.4	93.8	92.8	90.3				135.9
	4000	83.3	85.6	88.1	88.2	89.0	91.2	92.2	93.6	95.5	98.8	95.7	91.5	89.2	87.7				135.7
	5000	85.2	86.2	87.5	88.5	88.9	89.5	92.2	94.9	97.5	99.7	97.6	93.5	91.4	90.3				136.9
	6300	84.6	86.9	87.9	88.7	90.7	91.1	93.3	94.5	97.9	101.3	98.5	95.0	91.2	90.4				138.0
	8000	85.3	86.8	88.1	89.3	90.6	91.9	94.0	95.2	98.8	102.2	100.0	96.8	93.4	92.9				139.2
	10000	86.1	88.8	89.3	90.1	91.1	93.0	94.7	96.6	100.2	102.2	100.7	98.3	95.5	94.1				140.4
	12500	85.5	89.6	90.2	90.6	91.0	92.0	94.1	96.9	99.8	101.7	100.4	98.3	95.5	94.2				140.4
	16000	83.3	87.9	88.9	89.9	89.7	90.9	93.2	96.0	98.3	99.7	98.6	96.6	94.4	92.5				139.3
	20000	81.8	86.4	88.3	88.6	88.1	88.6	91.2	93.5	95.8	96.6	95.5	94.0	91.8	90.1				137.2
	25000	79.1	85.0	86.8	87.4	85.4	87.1	89.0	90.6	92.3	93.9	92.6	90.7	88.6	87.5				134.9
	31500	74.7	80.8	82.3	82.8	80.8	83.6	85.5	87.4	88.5	90.8	88.4	87.0	85.1	82.2				131.8
	40000	71.2	75.9	78.2	78.7	77.3	78.3	80.5	83.2	84.6	86.4	84.1	81.2	79.7	78.4				128.1
	50000	68.1	72.0	74.0	74.8	73.2	74.3	76.8	80.0	80.8	83.7	80.9	78.1	76.5	76.1				125.9
	63000	66.4	68.6	70.2	71.7	69.8	70.3	72.5	79.3	78.0	81.7	78.2	75.9	75.6	77.2				125.5
	80000	66.4	65.8	66.5	69.8	67.8	68.4	69.5	79.4	76.3	80.3	77.6	75.9	76.1	77.8				127.8
OVERALL MEASURED																			
OVERALL CALCULATED		98.9	100.8	101.8	102.3	102.9	104.1	105.7	107.1	109.6	112.1	111.4	112.5	113.2	118.7				152.4
PND8		110.5	112.3	113.5	113.8	114.7	115.9	117.1	118.5	120.8	123.6	122.3	121.4	120.3	123.8				

ORIGINAL PAGE IS
OF POOR QUALITY

MODEL SOUND PRESSURE LEVELS (59, DEG. F, 70 PERCENT REL. HUM, DAY - JENOTS)

SPL INPUT AT STD REV., ALPHA 12/73	FREQ.	ANGLES FROM INLET IN DEGREES (AND RADIANS)														PWL			
		30. (0.52)	40. (0.70)	50. (0.87)	60. (1.05)	70. (1.22)	80. (1.40)	90. (1.57)	100. (1.75)	110. (1.92)	120. (2.09)	130. (2.27)	140. (2.44)	150. (2.62)	160. (2.79)		0. (0.)	0. (0.)	0. (0.)
NO EGA	50	73.1	72.6	76.1	74.4	77.2	77.1	78.4	77.5	78.6	81.8	84.0	86.8	89.1	92.0				124.9
RDG. NO. 0	63	76.3	76.1	76.7	76.2	77.3	77.9	79.3	79.7	80.9	84.3	87.1	90.6	93.7	95.1				128.2
RADIAL 40. FT. - (12. M)	80	78.6	77.6	78.3	78.6	79.5	80.9	82.3	82.6	84.3	87.6	91.5	95.4	98.5	99.9				132.7
VEHICLE JENOTS	100	80.4	79.9	81.7	81.9	82.2	84.4	86.5	87.3	89.2	91.9	95.9	101.5	105.3	116.2				144.5
CONFIG JE-00D	125	83.0	81.7	84.0	84.7	85.0	88.5	91.7	91.0	93.0	96.7	101.0	106.4	109.8	116.5				146.0
LOC EVENDALE	160	87.7	87.2	86.7	88.2	88.2	92.4	94.4	93.2	96.2	99.7	103.2	108.4	112.1	116.4				147.0
DATE 05-13-75	200	88.3	88.5	87.0	87.5	88.8	92.0	92.8	92.3	94.3	98.5	101.6	107.4	109.2	116.8				148.3
RJN DBTFMODEL11A	250	90.5	92.5	89.3	90.3	90.3	91.8	91.5	91.3	97.8	97.8	102.0	105.5	104.9	111.6				142.8
TAPE X11150	315	91.8	90.8	89.3	90.5	91.5	90.2	92.5	95.5	94.8	98.8	102.0	104.9	102.2	109.5				141.6
BAR 29.5 HG	400	85.9	82.2	85.1	86.2	87.9	92.0	89.8	89.8	93.1	95.3	93.3	97.5	99.7	102.4				136.1
(99550. N/M2)	500	81.6	82.8	86.8	87.0	88.5	89.9	91.2	90.2	92.7	92.9	96.2	98.9	93.8	102.6				135.8
TAMB 68. DEG F	630	86.3	87.5	87.2	86.2	90.2	90.5	90.4	92.4	94.2	95.7	98.5	101.8	99.4	105.8				138.5
(293. DEG K)	800	89.7	92.9	92.9	93.0	93.0	94.3	96.2	97.9	98.8	102.5	104.5	105.8	103.5	105.2				142.5
HACT 8.91 GM/M3	1000	90.1	90.9	94.3	92.2	92.3	95.4	95.9	97.1	102.4	106.1	104.5	99.7	101.1	99.9				142.4
(.00891 KG/M3)	1250	90.5	93.9	95.9	97.3	95.5	97.7	99.2	100.4	103.2	104.9	104.1	103.5	101.7	97.4				143.2
FREQ. SHIFT	1600	90.8	93.2	93.9	95.5	95.6	98.0	98.3	99.2	100.1	102.5	101.6	100.2	97.9	98.2				141.1
DIAMETER RATIO	2000	91.1	92.1	91.8	94.9	96.2	95.3	97.5	99.1	102.7	104.1	101.9	102.2	99.1	96.3				141.9
DF/DM 1.00	2500	91.8	92.0	95.5	95.4	96.3	97.1	97.8	101.4	103.0	105.3	102.7	100.2	100.1	97.0				142.7
OVERALL MEASURED	3150	91.0	93.8	95.2	95.6	96.3	96.3	98.1	100.3	103.0	105.5	102.1	101.0	99.5	98.1				142.7
OVERALL CALCULATED	4000	88.8	91.3	93.9	94.2	95.3	97.4	98.4	100.6	102.9	105.3	101.7	97.9	95.9	94.9				142.3
PNDB	5000	90.4	91.6	93.0	94.2	95.2	96.0	98.7	101.4	104.4	105.4	103.3	99.7	98.4	96.5				143.1
	6300	89.8	91.6	92.8	94.4	96.7	96.5	99.2	100.9	104.6	104.7	102.9	100.2	97.4	96.6				143.1
	8000	89.9	91.7	93.0	94.5	96.7	97.3	99.7	101.4	104.2	105.3	102.9	100.4	98.6	98.1				143.5
	10000	90.7	93.1	93.9	95.7	97.2	98.6	100.1	102.2	105.6	105.3	103.6	101.2	99.9	99.0				144.6
	12500	90.8	93.9	95.0	96.9	97.3	98.6	100.4	102.5	105.1	105.0	103.4	101.6	100.0	97.9				144.9
	16000	89.1	92.4	94.6	96.7	96.7	96.9	98.7	100.7	103.5	102.7	101.1	99.6	98.1	95.7				143.5
	20000	86.5	89.3	91.3	94.1	93.8	94.5	96.4	98.2	100.0	99.3	97.7	96.5	94.5	92.6				140.9
434	25000	81.8	86.5	88.7	90.8	90.8	92.1	93.5	95.0	97.5	97.1	94.5	93.4	91.0	89.5				138.7
	31500	77.9	82.5	84.6	86.8	87.3	88.9	90.4	92.4	93.8	94.2	91.9	89.5	87.5	84.4				136.0
	40000	74.5	78.2	81.9	83.7	83.8	84.1	86.1	88.0	90.6	89.9	87.3	84.7	82.7	82.7				132.7
	50000	70.2	74.4	78.6	79.9	80.1	80.6	83.1	85.1	86.8	87.5	84.2	81.5	80.1	83.4				130.7
	63000	67.3	70.5	76.6	76.6	77.6	78.1	79.6	82.7	84.7	85.6	81.6	77.8	77.3	86.1				130.5
	80000	66.6	66.5	75.8	71.8	77.0	77.1	78.4	81.6	81.5	83.5	80.1	76.4	76.6	87.6				132.2

MODEL SOUND PRESSURE LEVELS (59, DEG. F, 70 PERCENT REL. HUM. DAY - JENOTS)

SPL INPUT AT STD REV. ALPHA 12/73	FREQ.	ANGLES FROM INLET IN DEGREES (AND RADIANS)															PWL		
		30. (0.52)	40. (0.70)	50. (0.87)	60. (1.05)	70. (1.22)	80. (1.40)	90. (1.57)	100. (1.75)	110. (1.92)	120. (2.09)	130. (2.27)	140. (2.44)	150. (2.62)	160. (2.79)	0. (0.)		0. (0.)	0. (0.)
NO EGA	50	69.3	69.1	70.9	71.2	72.0	72.3	73.1	76.3	76.4	77.8	79.5	81.0	83.8	87.2				123.3
RDG. NO. 0.	63	71.6	71.6	72.7	72.5	73.0	74.2	75.5	76.2	76.6	79.3	82.3	85.1	88.0	88.6				122.8
	80	73.6	73.4	74.3	74.9	75.8	76.2	77.8	78.3	79.3	82.9	86.7	89.1	92.5	94.1				127.1
RADIAL 40. FT. (12. M)	100	75.7	75.4	77.4	77.9	78.2	80.4	82.5	83.1	85.0	88.2	90.9	95.5	99.5	110.7				139.0
	125	78.0	76.5	78.7	80.2	80.7	84.2	87.2	87.0	88.2	92.5	95.7	100.9	103.8	111.3				140.6
VEHICLE JENOTS	160	83.2	82.2	82.2	83.9	84.4	88.2	90.9	90.4	93.4	96.4	98.9	103.7	106.9	109.9				141.5
CONFIG JE-000	200	84.5	84.8	83.0	85.0	84.5	88.8	89.0	90.0	92.8	96.8	99.1	103.9	105.2	114.5				143.6
LOC EVENDALE	250	86.8	89.0	86.0	87.0	86.8	88.0	87.8	88.0	95.3	96.8	98.3	101.0	101.2	107.6				139.0
DATE 05-13-75	315	88.3	87.3	86.0	86.8	87.5	86.7	88.5	92.0	92.0	96.0	98.5	101.4	98.7	104.0				137.6
RUN DBTFMODEL11A	400	82.2	78.7	81.3	82.4	84.4	88.2	86.8	87.1	89.8	92.3	90.3	93.5	96.0	97.1				132.3
TAPE X11210	500	78.8	79.1	83.3	84.0	85.7	86.6	87.5	87.0	89.7	89.2	93.2	97.4	90.1	100.1				133.2
BAR 29.5 HG (99516. N/M2)	630	83.1	83.7	83.7	82.0	85.0	85.5	86.1	88.1	89.9	91.7	97.2	101.6	97.4	102.3				136.3
	800	84.5	86.4	86.6	86.8	87.3	88.8	90.9	92.6	93.8	98.8	102.7	106.5	102.2	102.7				140.7
TAMB 70. DEG F (294. DEG K)	1000	85.1	85.1	88.3	86.2	86.5	89.2	90.4	91.6	96.9	101.6	102.2	97.7	99.6	96.4				138.6
	1250	85.2	87.4	89.1	91.0	89.7	91.4	92.9	93.9	97.7	99.1	99.1	98.2	96.4	94.2				137.6
TWET 57. DEG F (287. DEG K)	1600	84.5	86.0	86.9	88.2	89.3	91.0	91.5	92.2	92.8	95.7	95.6	93.2	91.1	91.5				134.4
	2000	84.3	83.8	85.0	87.7	88.5	87.6	90.5	91.3	96.0	96.9	96.9	93.8	89.6	87.3				134.9
HACT 8.91 GM/M3 (.00891 KG/M3)	2500	84.3	84.0	87.0	86.9	88.1	89.2	89.6	92.4	93.3	97.3	94.0	91.2	90.1	87.2				134.0
	3150	82.3	84.1	86.2	85.9	86.8	86.8	89.1	90.6	93.0	96.1	94.4	91.8	89.8	87.6				133.4
FREQ. SHIFT	4000	79.9	81.9	84.4	85.0	85.8	88.3	88.5	90.1	93.2	95.3	92.7	88.0	85.5	84.9				132.5
JET 0	5000	81.4	82.5	83.6	84.5	85.2	85.5	87.8	90.7	93.3	96.2	94.9	89.8	87.5	86.5				133.2
DIAMETER RATIO DF/DM 1.00	6300	80.4	82.5	83.7	84.8	86.0	86.6	88.6	89.3	93.4	96.3	95.5	90.8	87.0	87.5				133.6
	8000	80.6	82.7	83.7	84.6	85.4	87.0	87.9	89.3	93.6	96.8	96.0	93.1	89.3	89.5				134.3
	10000	81.0	83.9	84.4	85.2	85.7	86.3	87.6	89.0	94.1	96.6	96.3	93.2	89.9	90.2				134.8
	12500	79.7	84.0	84.3	85.0	84.9	85.6	86.9	89.0	93.0	95.3	94.7	92.9	89.2	90.6				134.2
	16000	76.5	81.3	83.0	83.6	82.9	83.8	85.1	88.1	92.2	92.8	92.7	90.5	87.3	90.6				132.8
	20000	74.2	78.8	80.5	81.8	80.5	81.2	82.6	85.4	89.3	89.5	89.9	87.2	84.5	90.0				130.5
435	25000	71.5	77.5	78.2	80.1	78.3	78.6	80.5	83.0	85.7	87.3	86.3	84.4	81.5	91.7				128.8
	31500	68.2	73.2	75.0	76.7	74.8	75.8	77.4	80.1	82.0	83.7	82.6	80.0	78.0	88.7				126.0
	40000	65.7	69.9	71.8	74.1	71.7	70.7	72.7	76.1	78.0	79.0	78.0	75.1	74.3	89.6				124.3
	50000	64.7	66.9	69.2	72.7	68.1	68.2	69.2	75.6	74.6	77.5	76.3	73.5	73.6	90.2				124.8
	63000	65.8	65.7	67.3	72.6	66.6	66.4	67.3	77.7	74.9	78.0	76.8	74.3	75.0	86.8				125.3
	80000	65.7	64.5	66.3	71.8	66.6	66.9	67.0	79.2	75.1	79.1	77.4	75.9	76.7	87.6				129.2
OVERALL MEASURED																			
OVERALL CALCULATED		96.9	98.0	98.8	99.6	100.0	101.4	102.7	104.1	107.2	110.0	110.9	112.7	112.7	119.0				151.3
PND8		108.4	109.3	110.8	111.2	112.1	113.3	114.5	116.1	118.7	121.6	121.2	121.4	119.2	123.9				

ORIGINAL PAGE IS
OF POOR QUALITY

MODEL SOUND PRESSURE LEVELS (59. DEG. F, 70 PERCENT REL. HUM. DAY - JENOTS)

SPL INPUT AT STD REV. ALPHA 12/73	FREQ.	ANGLES FROM INLET IN DEGREES (AND RADIANIS)															PWL		
		30.	40.	50.	60.	70.	80.	90.	100.	110.	120.	130.	140.	150.	160.	0.		0.	0.
	(0.52)	(0.70)	(0.87)	(1.05)	(1.22)	(1.40)	(1.57)	(1.75)	(1.92)	(2.09)	(2.27)	(2.44)	(2.62)	(2.79)	(0.)	(0.)	(0.)		
NO EGA	50	72.1	72.8	76.1	76.9	77.0	77.8	78.1	77.5	85.6	86.1	87.0	88.0	89.6	92.2				126.5
RDG. NO. D.	63	75.1	75.1	76.2	76.5	77.3	77.9	78.5	78.4	81.1	84.3	86.6	89.6	92.7	94.6				127.6
RADIAL 40. FT.	80	77.6	77.4	78.0	79.1	79.5	80.4	81.3	81.6	84.3	87.4	91.0	94.6	97.5	99.6				132.1
(12. M)	100	79.9	79.7	81.4	82.2	82.4	84.2	86.2	86.6	89.2	91.9	96.2	100.8	104.8	115.2				143.5
VEHICLE JENOTS	125	82.7	81.0	83.5	84.2	84.7	88.5	91.2	91.0	92.7	97.0	100.2	105.4	108.5	116.5				145.6
CONFIG JE-000	160	87.4	86.9	86.2	87.9	87.9	91.7	94.4	93.2	96.4	100.2	102.9	107.9	111.6	117.4				147.3
LOC EVENDALE	200	87.8	88.5	87.0	87.8	88.8	91.5	92.5	92.3	95.0	99.0	101.3	106.9	108.7	116.3				145.9
DATE 05-13-75	250	90.5	92.3	89.0	89.8	89.8	91.3	90.8	91.3	98.3	98.8	102.0	105.8	105.2	110.6				142.6
RUN DBT FMODEL11A	315	92.3	90.8	89.8	90.5	91.5	90.5	92.3	96.0	95.5	100.0	103.5	105.6	103.2	109.5				142.3
TAPE X11230	400	86.4	82.7	85.6	86.4	88.4	93.0	90.3	90.8	93.1	95.8	94.8	98.8	100.7	102.1				136.8
BAR 29.5 HG	500	82.1	83.1	86.8	88.0	89.0	90.1	91.0	90.5	92.9	93.9	97.5	101.1	95.1	103.6				137.0
(99516. N7M2)	630	86.8	87.5	87.5	86.5	89.5	89.8	89.6	91.9	93.7	96.0	100.5	103.8	99.9	106.8				139.6
TAMB 70. DEG F	800	89.2	92.2	91.6	92.3	92.3	92.8	95.2	97.1	98.0	102.5	105.7	108.5	104.7	106.7				143.6
(294. DEG K)	1000	89.1	89.4	93.0	91.2	90.5	93.9	94.7	96.1	101.1	105.8	105.5	100.2	102.1	99.2				142.3
TWET 57. DEG F	1250	89.0	92.4	94.1	95.8	94.2	96.4	97.7	98.4	101.9	103.9	102.8	102.0	100.7	96.2				141.9
(287. DEG K)	1600	89.0	91.2	91.9	93.5	94.3	96.5	96.8	97.2	97.8	100.2	99.8	98.2	96.6	96.2				139.3
HACT 8.91 GM/M3	2000	89.3	90.6	90.3	93.2	94.0	92.8	95.8	96.6	100.0	101.6	99.9	99.0	95.6	93.0				139.4
(.00891 KG/M3)	2500	89.8	90.0	93.7	93.2	93.8	95.2	95.6	98.9	99.5	102.8	100.0	96.9	96.1	93.5				140.0
FREQ. SHIFT	3150	88.8	90.6	92.7	92.4	93.6	93.1	95.6	97.1	99.8	102.8	99.6	97.8	95.8	96.3				139.8
JET 0	4000	86.6	88.9	91.2	91.7	92.6	94.5	95.5	97.6	99.7	102.6	99.0	95.0	93.2	92.2				139.4
DIAMETER RATIO	5000	87.9	89.0	90.3	91.5	92.2	92.5	95.5	98.2	101.5	102.4	100.2	96.8	95.5	94.3				140.1
OF/DM 1.00	6300	87.9	90.0	90.7	91.5	93.5	94.1	96.6	98.3	101.9	103.3	100.5	97.6	95.0	94.2				140.8
	8000	88.4	89.9	91.2	92.1	93.9	95.0	96.9	99.1	102.6	104.0	101.3	99.1	97.5	96.5				141.9
	10000	88.7	91.4	91.9	93.2	94.7	95.8	97.8	100.5	103.8	104.9	103.1	100.4	99.1	98.0				143.4
	12500	88.7	91.7	92.3	94.0	93.9	95.6	97.7	100.5	103.0	104.1	102.2	100.2	99.2	97.8				143.2
	16000	87.3	91.1	93.0	94.6	93.4	94.5	96.6	99.4	101.9	102.1	100.2	98.5	97.5	96.6				142.3
	20000	85.2	89.8	91.7	92.5	91.5	92.2	94.1	96.4	99.0	98.8	97.7	95.7	94.2	94.8				139.9
436	25000	81.3	87.0	89.2	90.1	88.8	89.8	91.7	93.0	96.0	96.5	94.3	92.7	91.3	94.5				137.7
	31500	76.9	82.2	84.8	86.0	84.3	86.8	88.6	90.1	92.2	93.4	91.1	89.0	87.3	91.7				134.9
	40000	73.4	78.6	81.6	83.1	81.7	82.0	84.2	85.9	89.5	89.8	87.5	84.4	83.3	91.3				132.3
	50000	70.0	74.7	79.7	81.7	78.1	79.2	80.4	83.4	86.1	88.0	86.3	83.8	82.9	87.7				131.0
	63000	68.0	71.2	78.8	82.3	77.1	76.9	78.1	81.2	85.9	88.5	85.8	84.5	84.5	89.1				132.9
	80000	66.4	67.0	78.1	80.3	76.6	77.4	77.5	79.9	85.4	89.6	87.2	86.4	85.7	88.6				136.3
OVERALL MEASURED																			
OVERALL CALCULATED		102.1	103.7	104.8	105.8	106.1	107.4	109.0	110.8	113.6	115.7	115.3	116.6	117.2	123.3				156.4
PND8		113.8	115.2	116.7	117.1	118.0	119.1	120.5	122.3	125.0	127.4	126.0	125.4	124.3	127.9				

SPL INPUT AT STD REV. ALPHA 12/73	FREQ.	ANGLES FROM INLET IN DEGREES (AND RADIANS)															PWL		
		30. (0.52)	40. (0.70)	50. (0.87)	60. (1.05)	70. (1.22)	80. (1.40)	90. (1.57)	100. (1.75)	110. (1.92)	120. (2.09)	130. (2.27)	140. (2.44)	150. (2.62)	160. (2.79)	0. (0.)		0. (0.)	0. (0.)
NO EGA	50	79.8	78.1	81.4	81.4	83.2	80.1	80.1	84.8	85.9	86.8	88.3	91.3	94.1	96.7				129.9
RDG. NO. 0.	63	81.6	79.6	80.7	81.0	83.0	81.4	82.0	83.9	84.6	87.8	90.6	94.1	97.5	100.1				132.3
RADIAL 40. FT. (12. M)	80	83.4	81.9	83.5	84.1	84.0	83.9	85.3	86.6	88.3	91.1	95.0	98.4	101.8	104.6				136.5
VEHICLE JENOTS	100	85.2	84.2	85.4	85.9	87.9	88.2	90.5	91.6	93.0	95.9	100.4	105.3	109.0	118.2				146.9
CONFIG JE-000	125	87.5	85.5	88.5	88.7	89.5	92.2	94.7	94.5	96.2	101.0	104.7	110.1	113.5	118.8				148.9
LJC EVENDALE	160	92.2	90.9	90.2	91.4	92.2	95.4	97.9	97.2	100.2	103.7	106.9	112.9	116.4	119.4				150.6
DATE 05-13-75	200	92.3	92.0	90.5	91.8	92.8	95.8	96.5	96.8	98.5	103.3	106.1	111.9	114.0	120.8				150.5
RJN DBTFMODEL11A	250	94.3	95.8	92.8	93.3	93.5	95.0	94.5	95.0	102.0	102.5	106.8	110.3	109.7	116.9				147.7
TAPE X11250	315	95.5	93.8	93.0	94.0	95.8	93.7	95.3	98.8	98.8	104.0	107.8	110.1	106.7	113.3				146.2
BAR 29.5 HG (99617. N/M2)	400	89.7	86.2	89.1	89.9	91.9	96.5	93.8	94.6	97.3	100.8	98.8	102.5	104.5	106.6				140.8
TAMB 70. DEG F (294. DEG K)	500	86.6	88.1	90.8	92.3	93.5	94.4	95.2	95.7	97.4	99.4	101.7	104.6	100.6	108.3				141.4
TWET 57. DEG F (287. DEG K)	630	90.8	92.0	91.5	90.7	93.2	93.5	93.9	96.4	98.4	100.7	104.2	107.3	105.4	111.1				143.7
HACT 8.91 GM/M3 (.00891 KG/M3)	800	93.7	95.7	95.1	95.8	95.3	97.0	98.9	101.6	103.0	108.0	109.7	112.0	111.0	113.5				148.4
FREQ. SHIFT	1000	93.6	93.6	97.5	95.5	95.5	98.4	99.7	101.3	106.9	112.1	109.5	105.4	108.4	107.4				147.8
JET 0	1250	94.2	96.9	99.1	100.3	99.7	101.7	103.2	104.4	108.7	110.1	108.6	108.5	108.2	105.4				148.1
DIAMETER RATIO	1600	95.0	96.5	97.2	98.7	100.1	102.0	103.3	103.2	105.3	106.5	106.1	105.0	103.4	105.2				145.7
DF/DM 1.00	2000	95.1	95.6	95.8	98.4	99.2	98.6	101.5	102.8	107.0	107.6	106.4	106.5	104.8	102.5				146.3
437	2500	95.5	95.3	98.2	98.4	99.8	101.4	101.8	105.1	107.5	108.8	106.5	104.4	104.9	102.0				146.5
	3150	94.3	96.6	98.2	98.7	99.3	99.3	102.1	104.1	107.8	108.8	106.4	104.1	104.0	102.3				146.5
	4000	92.6	95.1	97.2	97.7	98.6	101.5	102.0	103.9	107.0	108.6	105.5	101.0	100.2	99.7				145.9
	5000	93.9	95.5	96.1	97.5	98.7	98.8	102.3	104.5	107.5	108.2	105.9	102.3	101.7	100.5				146.1
	6300	92.7	94.5	95.9	97.5	98.8	99.9	102.1	103.8	107.4	106.8	104.8	101.8	100.3	99.5				145.6
	8000	93.1	94.7	96.4	97.9	99.1	100.2	102.6	103.8	106.9	107.3	104.3	102.1	100.8	99.3				145.9
	10000	93.2	95.9	96.9	98.5	99.7	100.6	102.6	104.2	106.8	106.4	104.6	102.2	101.1	100.0				146.2
	12500	92.9	95.2	97.0	98.8	99.2	100.4	101.9	104.0	106.0	105.6	104.2	101.2	100.7	98.3				145.7
	16000	91.0	93.6	96.5	98.3	97.9	99.0	100.4	102.4	104.4	103.8	101.7	99.5	98.8	96.4				144.8
	20000	87.7	91.3	93.2	96.8	95.3	97.0	98.4	99.6	101.0	100.5	99.4	96.9	95.5	93.5				142.4
	25000	84.3	88.5	91.0	95.3	92.3	94.1	95.2	96.7	98.5	98.8	95.8	93.9	92.3	90.5				140.3
	31500	80.7	84.5	87.3	92.2	88.5	91.1	91.9	93.8	95.2	95.9	93.6	90.2	88.5	86.9				137.8
	40000	78.2	81.4	85.1	91.4	84.7	85.7	87.4	90.6	92.2	92.5	89.5	85.9	84.6	84.8				135.3
	50000	76.7	77.9	82.7	89.0	81.6	81.9	84.4	88.6	89.9	92.5	88.0	84.3	83.6	86.0				134.6
	63000	76.8	76.0	81.3	89.3	78.9	79.1	81.3	88.9	88.4	90.8	87.6	84.5	84.7	86.8				135.7
	80000	76.9	74.8	80.1	86.6	77.8	78.2	78.7	89.2	87.4	90.4	87.7	86.2	85.9	87.1				138.2
OVERALL MEASURED																			
OVERALL CALCULATED		106.8	108.1	109.4	110.7	111.2	112.5	114.1	115.8	118.8	120.4	119.7	121.2	122.2	126.9				160.7
PND8		119.1	120.5	121.8	122.6	123.4	125.0	126.3	128.0	131.3	132.7	131.4	130.7	130.7	133.0				

ORIGINAL PAGE IS
OF POOR QUALITY

MODEL SOUND PRESSURE LEVELS (59. DEG. F, 70 PERCENT REL. HUM., DAY - JENOTS)

SPL INPUT AT STD REV. ALPHA 12/73	FREQ.	ANGLES FROM INLET IN DEGREES (AND RADIANS)															PWL		
		30. (0.52)	40. (0.70)	50. (0.87)	60. (1.05)	70. (1.22)	80. (1.40)	90. (1.57)	100. (1.75)	110. (1.92)	120. (2.09)	130. (2.27)	140. (2.44)	150. (2.62)	160. (2.79)	0. (0.)		0. (0.)	0. (0.)
NO EGA	50	66.1	67.6	67.1	68.2	69.2	69.1	70.4	70.0	69.9	70.1	69.3	72.3	74.6	73.7				112.4
	63	66.8	68.1	67.4	68.7	69.0	70.2	70.5	71.4	71.9	71.1	71.3	74.4	77.5	77.3				114.1
RDG. NO. 0.	80	67.9	68.4	69.0	69.6	70.8	71.9	72.6	72.3	73.1	73.6	75.2	78.4	81.0	82.1				117.0
RADIAL 40. FT.	100	68.9	69.2	70.4	71.2	72.2	74.2	76.5	76.6	77.5	78.4	79.7	84.8	88.8	98.9				127.6
(12. M)	125	70.5	70.2	71.7	73.5	74.2	77.5	80.2	80.0	81.2	82.5	84.5	89.1	92.8	100.8				130.1
VEHICLE JENOTS	160	75.4	74.4	74.9	77.2	77.4	80.4	83.1	82.2	84.4	85.7	85.9	91.9	95.6	101.4				131.6
CONFIG JE-000	200	77.5	78.5	75.3	77.8	78.3	81.0	81.5	81.8	83.5	85.5	87.6	93.6	96.0	108.0				136.3
LOC EVENDALE	250	79.5	81.3	78.5	79.8	79.8	80.8	80.5	81.3	88.3	86.0	88.0	91.3	93.7	98.6				130.3
DATE 05-13-75	315	80.0	79.5	78.8	79.5	80.5	78.5	81.0	84.5	83.3	86.8	88.3	88.9	91.2	98.5				129.5
RUN DBTFMODEL11A	400	72.4	69.7	73.3	73.4	75.4	80.0	77.1	77.6	79.1	81.8	78.5	81.8	86.7	85.9				122.1
TAPE X11420	500	68.8	70.6	74.6	74.5	77.0	78.1	78.5	77.7	79.4	79.9	81.7	85.4	83.1	89.1				122.7
BAR 29.5 HG	630	74.3	75.0	75.0	73.2	76.0	76.0	76.4	78.4	79.9	80.5	82.7	88.6	89.4	92.3				125.2
(99583. N/M2)	800	77.5	78.4	77.6	78.3	78.8	80.0	81.9	83.6	83.8	87.0	89.5	94.5	95.0	96.5				130.5
TAMB 66. DEG F	1000	78.1	78.1	80.5	78.4	78.5	81.7	82.4	83.6	87.6	90.3	90.5	88.9	92.8	90.4				129.1
(292. DEG K)	1250	80.0	81.4	83.1	84.8	83.7	85.4	86.2	86.4	89.2	89.6	90.3	91.5	91.2	87.9				130.0
TWET 57. DEG F	1600	79.8	79.5	80.7	83.0	83.6	84.7	85.5	85.0	84.8	85.7	87.1	87.7	84.6	85.0				127.1
(287. DEG K)	2000	79.1	78.1	78.5	81.4	81.5	80.1	83.3	83.3	86.0	86.4	88.9	90.7	87.3	83.5				127.4
HACT 8.91 GM/M3	2500	79.8	79.0	81.2	80.7	82.1	83.4	83.1	84.6	84.5	86.5	87.0	88.2	86.1	82.5				126.8
(.00891 KG/M3)	3150	76.7	77.8	79.0	79.4	79.8	79.3	82.4	82.6	83.7	85.5	86.4	87.6	83.8	81.3				125.5
FREQ. SHIFT	4000	74.1	75.1	77.4	77.9	79.3	82.2	81.4	81.6	82.9	84.5	84.2	82.4	78.7	76.4				123.9
JET 0	5000	75.1	76.1	76.3	76.7	77.9	78.5	80.7	81.4	82.7	83.9	84.6	82.3	79.4	77.5				123.4
DIAMETER RATIO	6300	73.3	75.4	76.3	76.9	77.9	78.8	79.5	79.9	81.1	82.5	83.2	80.5	76.7	75.2				122.4
DF/DM 1.00	8000	72.2	74.3	75.3	76.2	77.3	78.1	79.0	79.2	80.0	82.1	82.7	80.7	76.9	75.1				122.1
	10000	71.5	74.2	74.5	76.0	76.7	77.1	77.6	78.0	80.4	81.2	82.4	81.2	76.4	75.0				121.9
	12500	69.4	72.2	73.0	73.0	74.4	75.1	75.9	76.0	78.5	80.3	80.7	79.7	75.4	73.3				120.6
	16000	65.9	69.2	70.2	70.8	71.6	72.5	73.3	74.8	76.6	77.5	77.9	76.7	72.5	71.3				118.5
	20000	62.6	66.4	67.6	67.9	69.0	68.7	69.8	70.8	73.4	74.2	74.6	73.1	69.4	67.7				115.6
438	25000	58.7	63.6	64.1	64.7	64.7	65.5	66.6	67.1	69.1	70.9	70.4	68.8	65.9	66.9				112.4
	31500	54.3	58.1	60.2	59.9	59.7	61.2	63.0	63.7	65.1	67.1	67.0	65.6	62.9	67.8				109.4
	40000	53.1	55.0	58.9	57.1	55.9	55.2	57.4	59.6	61.9	64.2	62.9	60.6	60.3	68.0				107.0
	50000	54.2	54.2	56.4	56.5	53.9	53.9	55.9	58.1	61.9	65.3	64.0	61.8	62.1	71.5				109.1
	63000	55.3	55.0	60.4	59.6	55.2	54.9	56.7	60.0	64.4	67.1	65.9	63.8	64.3	73.4				113.0
	80000	55.9	58.2	56.0	59.0	56.8	56.9	57.7	59.9	66.0	69.3	66.8	65.6	66.1	72.8				116.8
OVERALL MEASURED																			
OVERALL CALCULATED		90.1	90.7	91.3	92.3	92.8	94.0	95.0	95.6	97.5	98.8	99.9	102.4	103.8	110.8				142.1
PND8		102.5	102.6	103.9	104.3	105.3	106.5	107.2	107.9	109.0	110.5	111.4	112.8	111.7	116.2				

SPL INPUT AT STD REV. ALPHA 12/73	ANGLES FROM INLET IN DEGREES (AND RADIANs)																		PWL
	30.	40.	50.	60.	70.	80.	90.	100.	110.	120.	130.	140.	150.	160.	0.	0.	0.		
FREQ. (0.52)	(0.70)	(0.87)	(1.05)	(1.22)	(1.40)	(1.57)	(1.75)	(1.92)	(2.09)	(2.27)	(2.44)	(2.62)	(2.79)	(0.)	(0.)	(0.)	(0.)		
NO EGA	50	71.1	73.1	72.1	71.4	70.7	73.6	75.4	77.0	73.6	74.8	71.3	74.8	75.8	77.2			116.4	
RDG. NO. 0.	63	71.3	72.1	71.7	72.0	71.0	73.7	75.8	77.9	73.9	74.8	73.6	77.1	79.5	79.6			117.5	
RADIAL 40. FT.	80	70.9	72.6	72.5	72.1	71.8	74.9	77.1	78.6	76.6	76.6	76.5	80.1	83.3	84.4			119.8	
(12. M)	100	71.9	72.4	73.7	73.4	73.4	76.4	80.0	81.1	80.2	80.7	81.2	85.8	89.8	101.2			129.7	
VEHICLE JENOTS	125	73.5	73.2	73.7	75.5	75.5	79.7	82.9	83.2	82.2	84.5	85.7	90.9	94.0	102.3			131.6	
CONFIG JE-000	160	77.4	76.4	76.2	78.9	78.7	82.9	84.9	84.7	84.9	86.7	87.7	93.2	97.1	101.1			132.2	
LOC EVENDALE	200	78.5	79.5	77.0	79.0	79.5	82.8	82.3	83.5	84.3	86.5	87.6	93.6	96.5	106.3			135.1	
DATE 05-13-75	250	80.3	82.5	79.5	80.8	80.8	82.3	81.5	82.3	88.3	86.3	88.0	91.5	93.7	98.9			130.6	
RUN DBT MODEL 11A	315	80.8	80.8	79.5	80.5	81.5	79.5	82.0	85.5	84.0	86.5	88.3	89.1	90.9	95.8			128.7	
TAPE X11430	400	73.7	70.7	74.1	74.7	76.9	81.5	78.3	79.1	80.8	82.3	79.0	83.0	86.7	88.4			123.2	
BAR 29.5 HG	500	70.3	71.6	75.8	76.0	78.0	79.6	79.7	80.2	80.9	80.7	82.7	85.9	83.6	89.8			123.7	
(99550. N/M2)	630	74.8	75.7	75.2	73.7	77.0	77.8	79.9	79.4	80.4	81.2	83.2	89.3	90.2	93.1			126.0	
TAMB 68. DEG F	800	78.0	79.9	79.1	79.5	80.0	81.0	83.2	85.1	84.3	88.0	89.7	94.5	94.7	95.5			130.5	
(293. DEG K)	1000	78.8	78.6	81.5	79.4	79.5	82.2	83.4	84.6	88.1	91.1	90.5	89.4	92.4	89.7			129.4	
TWET 59. DEG F	1250	80.5	81.9	83.6	85.3	83.7	85.7	86.4	87.4	89.7	89.9	89.6	91.2	89.9	86.7			130.0	
(288. DEG K)	1600	80.0	79.7	81.2	82.7	83.6	84.7	86.0	85.5	85.1	85.7	87.3	87.2	84.6	85.0			127.3	
HACT 8.91 GM/M3	2000	79.8	78.1	78.8	81.9	82.5	81.1	83.5	83.6	86.5	87.1	88.7	90.2	86.1	83.0			127.5	
(.00891 KG/M3)	2500	80.5	79.0	81.5	80.7	82.3	83.6	83.6	85.6	85.0	86.8	87.7	87.2	85.1	81.7			127.0	
FREQ. SHIFT	3150	77.2	78.8	79.7	79.9	79.8	80.0	83.1	83.1	84.2	85.8	86.6	86.8	83.2	81.3			125.7	
JET 0	4000	74.8	76.1	77.9	78.4	79.5	81.9	81.6	82.1	82.9	85.5	84.7	82.2	79.2	77.4			124.3	
DIAMETER RATIO	5000	75.6	76.6	77.2	78.0	78.9	79.0	81.2	82.1	83.2	84.9	85.6	82.7	80.4	78.5			124.2	
DF/DM 1.00	6300	73.8	76.1	77.0	77.6	78.7	79.2	80.0	80.2	81.8	83.2	83.9	81.2	77.4	76.4			123.1	
	8000	73.7	75.2	76.2	77.7	78.7	78.8	79.7	79.6	81.2	83.1	83.4	81.2	78.1	77.6			123.0	
	10000	72.4	75.6	76.9	77.7	78.2	77.8	78.3	79.0	81.1	82.8	83.3	81.7	78.1	77.0			123.0	
	12500	70.8	75.1	76.0	76.2	76.1	76.3	76.9	77.2	79.4	82.5	82.4	79.8	77.0	75.9			122.1	
	16000	67.3	72.1	74.1	74.7	73.7	73.9	74.5	76.0	77.5	79.4	79.1	77.6	74.9	73.0			120.1	
	20000	64.5	69.1	71.0	71.8	70.8	70.5	70.9	71.7	74.8	76.3	76.2	74.5	71.3	71.1			117.4	
	25000	60.8	66.7	68.0	69.1	68.3	67.6	67.5	69.0	71.3	73.1	72.5	70.9	68.5	69.5			114.8	
	31500	56.7	62.3	63.6	64.8	63.6	64.1	64.2	65.6	66.5	69.5	68.4	67.0	65.5	68.4			111.5	
	40000	54.7	58.7	59.7	61.2	60.1	59.1	59.3	61.2	62.6	67.1	64.1	61.7	61.2	70.4			109.1	
	50000	54.2	55.6	56.6	59.2	56.6	56.1	56.4	63.6	58.1	66.2	64.5	62.0	62.8	73.2			110.3	
	63000	55.5	55.2	55.6	59.1	56.1	55.6	56.1	62.5	56.2	68.1	65.9	63.3	63.5	75.6			113.6	
	80000	56.4	56.0	55.0	58.5	56.0	57.1	57.7	62.6	56.0	69.3	66.6	65.4	65.4	77.3			117.9	
OVERALL MEASURED																			
OVERALL CALCULATED	91.0	91.7	92.3	93.1	93.5	94.9	96.0	96.9	98.1	99.5	100.2	102.6	104.2	110.3				142.2	
PNDdB	103.3	103.5	104.6	104.9	105.9	107.1	108.0	109.1	109.6	111.1	111.8	112.8	111.6	115.6					

439

ORIGINAL PAGE IS
OF POOR QUALITY

MODEL SOUND PRESSURE LEVELS (59. DEG. F., 70 PERCENT REL. HUM., DAY - JENOTS)

SPL INPUT AT STD REV. ALPHA 12/73	FREQ.	ANGLES FROM INLET IN DEGREES (AND RADIANS)															PWL		
		30. (0.52)	40. (0.70)	50. (0.87)	60. (1.05)	70. (1.22)	80. (1.40)	90. (1.57)	100. (1.75)	110. (1.92)	120. (2.09)	130. (2.27)	140. (2.44)	150. (2.62)	160. (2.79)	0. (0.)		0. (0.)	0. (0.)
NO LEGA	50	70.1	71.3	69.9	69.9	71.5	73.1	73.1	75.8	71.4	72.1	72.5	75.8	78.1	68.5				115.5
RDG. NO. 0	63	71.1	71.6	71.2	70.0	71.5	74.2	74.5	76.4	72.6	73.3	75.3	78.9	81.5	71.3				117.2
RADIAL 40. FT. (12. M)	80	71.1	72.4	72.0	72.4	73.0	74.7	75.8	77.3	74.6	76.6	79.5	83.1	86.3	77.6				120.4
VEHICLE JENOTS	100	72.7	72.2	73.2	73.2	73.4	76.9	78.7	80.6	79.7	80.9	84.2	89.5	92.8	94.9				127.2
CONFIG JE-000	125	73.5	72.2	74.0	74.7	75.5	79.2	82.9	83.0	83.0	86.2	89.7	94.4	97.3	96.0				130.8
LOC EVENDALE	160	79.2	77.2	76.7	79.2	79.2	82.9	85.6	84.9	87.9	90.7	92.2	97.7	100.9	94.6				133.7
DATE 05-13-75	200	80.3	80.8	77.3	78.5	80.0	83.3	83.0	84.0	85.3	89.3	90.8	97.4	99.2	98.3				133.2
RUN DBTFMODEL11A	250	82.3	84.0	80.5	81.0	82.0	83.5	82.8	83.8	91.0	90.3	92.8	96.5	97.7	92.4				132.5
TAPE X11460	315	84.0	82.3	81.3	81.8	82.5	81.2	83.8	87.8	87.5	91.3	94.0	96.1	96.2	92.3				132.2
BAR 29.5 HG	400	78.2	75.0	77.3	78.2	79.9	84.2	81.8	82.8	85.6	88.8	86.3	90.3	94.0	81.6				128.2
(99583. N/M2)	500	73.3	74.3	77.8	78.5	80.2	81.6	81.7	81.2	83.9	84.2	86.7	91.1	89.1	83.8				126.5
TAMB 68. DEG F (293. DEG K)	630	78.8	79.0	78.7	75.5	78.7	80.0	80.1	81.4	83.4	85.2	90.0	96.6	95.7	88.1				130.4
(.00891 KG/M3)	800	80.0	80.9	80.4	80.3	81.3	82.5	85.2	87.6	87.8	92.0	96.2	101.8	100.5	92.7				135.6
FREQ. SHIFT	1000	80.1	79.6	82.5	80.4	80.8	84.2	85.7	86.6	91.6	95.8	97.0	94.9	98.1	86.2				134.3
JET 0	1250	81.0	82.7	84.6	86.3	85.5	86.9	88.7	89.9	93.4	94.6	95.8	97.0	95.9	82.7				134.2
DIAMETER RATIO DF/DM 1.00	1600	81.0	81.7	81.9	84.5	85.6	87.0	88.5	88.0	88.8	91.0	92.8	92.7	89.4	79.5				130.9
OVERALL MEASURED	2000	80.8	79.6	80.5	83.4	83.5	83.3	86.3	87.1	90.5	92.1	93.9	95.7	91.1	77.3				131.8
OVERALL CALCULATED	2500	81.3	79.8	83.0	81.9	83.6	85.1	86.1	88.4	89.0	92.0	92.5	91.9	88.9	76.0				130.5
PNDB	3150	78.0	79.3	80.4	80.9	81.8	82.0	85.1	86.6	88.0	90.8	91.1	91.0	87.0	75.3				129.3
	4000	75.5	76.3	79.1	79.9	81.3	83.9	84.1	84.8	86.7	89.8	88.2	84.9	81.4	69.6				127.3
	5000	77.1	76.9	78.0	78.7	80.2	80.5	83.0	84.1	86.4	88.6	88.1	84.0	80.4	69.0				126.5
	6300	75.0	76.1	76.5	78.4	80.2	80.5	82.2	82.4	85.1	86.5	85.4	82.0	77.1	66.6				125.0
	8000	74.2	75.0	76.2	78.0	79.2	79.8	81.2	80.9	83.2	84.8	84.1	80.9	76.3	65.8				123.9
	10000	73.4	75.6	76.1	77.7	77.9	79.1	79.6	80.0	81.8	83.3	82.6	79.9	76.1	65.2				123.1
	12500	70.6	73.6	74.0	75.4	76.1	77.1	78.1	78.7	80.6	82.0	80.9	78.1	75.0	63.7				121.8
	16000	67.3	69.9	71.9	72.7	73.5	74.4	75.2	76.7	78.8	78.9	78.3	76.1	71.9	61.0				119.8
	20000	64.0	67.3	69.3	69.6	69.8	70.3	71.6	72.9	75.8	75.3	75.2	73.0	69.5	59.1				116.9
	25000	59.8	64.7	65.5	66.6	66.8	67.1	68.0	69.8	71.5	72.1	71.3	69.4	66.5	59.0				113.8
	31500	54.9	60.0	60.6	62.5	62.3	63.4	64.2	66.4	67.0	68.2	67.9	65.5	63.5	59.7				110.5
	40000	53.0	56.2	57.2	59.7	58.3	57.6	59.3	64.0	63.3	64.6	64.1	61.7	60.4	61.7				107.8
	50000	53.4	54.6	54.9	58.2	56.3	55.9	56.1	65.6	62.3	65.5	64.2	62.5	62.6	63.9				109.1
	63000	55.5	55.0	55.1	60.1	55.6	56.4	55.9	68.5	63.7	67.8	66.1	64.6	64.5	67.8				113.1
	80000	56.4	56.2	55.8	59.5	56.5	57.6	57.9	69.6	65.0	69.8	68.1	66.4	66.9	68.6				117.7

440

SPL INPUT AT STD REV. ALPHA 12/73	FREQ.	ANGLES FROM INLET IN DEGREES (AND RADIANS)															PWL		
		30. (0.52)	40. (0.70)	50. (0.87)	60. (1.05)	70. (1.22)	80. (1.40)	90. (1.57)	100. (1.75)	110. (1.92)	120. (2.09)	130. (2.27)	140. (2.44)	150. (2.62)	160. (2.79)	0. (0.)		0. (0.)	0. (0.)
NO EGA	50	63.1	63.3	63.9	63.9	65.2	65.1	65.4	67.3	68.4	69.8	71.5	74.0	76.1	75.2				111.8
RDG. NO. 0.	63	65.3	65.6	65.7	66.2	67.0	66.9	67.5	68.4	69.9	72.3	74.8	77.6	80.0	79.8				115.0
RADIAL 40. FT. (12. M)	80	67.1	66.6	67.5	68.4	69.5	69.2	70.3	71.1	72.6	75.4	78.7	81.9	84.3	85.1				119.1
VEHICLE JENOTS	100	68.9	68.9	70.9	71.4	71.7	73.2	75.5	75.8	77.7	80.2	83.9	88.0	91.3	102.7				131.0
CONFIG JE-000	125	71.2	70.2	72.7	73.5	74.2	77.7	80.4	80.2	82.0	85.5	88.7	93.1	95.8	103.5				132.9
LOC EVENDALE	160	76.9	75.9	76.4	78.2	78.2	82.2	84.9	84.4	87.4	90.7	92.4	97.2	99.4	102.9				134.5
DATE 05-13-75	200	78.8	79.0	76.5	78.5	79.0	82.3	83.0	83.5	86.3	90.0	91.8	97.4	98.2	107.0				136.4
RUN DBTFMODEL11A	250	81.3	83.3	79.3	80.5	81.5	82.5	82.0	83.0	89.3	89.5	92.3	95.0	95.7	100.1				132.6
TAPE X11490	315	83.3	82.8	81.0	81.5	82.3	81.2	83.5	87.3	87.8	91.3	93.8	95.6	94.7	99.5				132.8
BAR 29.5 HG (99583. N/M2)	400	78.2	75.7	77.8	78.7	80.9	85.2	82.3	83.1	85.6	88.6	86.0	89.0	92.0	89.6				127.9
TAMB 66. DEG F (292. DEG K)	500	73.1	74.8	78.3	79.5	81.0	83.4	83.5	82.2	85.7	84.2	86.5	90.9	87.6	95.6				128.2
HACT 8.91 GM/M3 (.00891 KG/M3)	630	76.6	78.0	77.7	74.7	78.0	78.8	79.4	81.1	83.4	85.2	90.5	95.8	94.4	95.1				130.4
FREQ. SHIFT	800	78.7	79.7	79.1	79.5	80.3	81.8	84.7	86.6	88.3	92.8	96.2	101.0	98.7	99.7				135.4
JET 0	1000	79.3	79.1	82.0	79.4	80.8	83.4	85.9	87.1	91.9	96.6	96.2	93.2	96.3	94.4				133.7
DIAMETER RATIO DF/DM 1.00	1250	80.5	82.7	84.4	86.0	85.2	87.2	88.4	89.7	93.2	94.4	94.8	95.0	92.2	90.4				133.3
OVERALL MEASURED	1600	80.8	81.7	82.4	84.2	85.6	86.5	88.3	88.0	88.6	90.5	91.6	89.0	85.9	88.0				130.1
OVERALL CALCULATED	2000	79.8	78.8	79.8	81.9	83.5	82.3	85.5	86.6	89.7	92.1	93.7	93.0	88.3	85.8				130.8
PND8	2500	80.5	79.3	82.2	81.4	83.1	84.4	85.5	87.9	88.8	92.3	90.7	89.4	86.4	84.2				129.7
	3150	77.5	78.6	79.7	80.1	81.0	80.3	84.4	85.8	88.0	90.5	89.6	88.8	84.3	82.8				128.3
	4000	74.6	75.6	77.6	78.4	79.8	82.5	82.9	84.1	86.7	89.3	86.7	83.2	78.2	77.6				126.4
	5000	75.6	75.9	76.3	77.2	78.9	79.0	81.7	83.9	86.0	88.1	86.6	82.3	77.6	77.0				125.5
	6300	73.6	74.9	74.8	76.2	78.2	79.3	80.8	81.7	84.6	85.7	84.4	79.8	74.7	73.7				124.0
	8000	72.7	73.3	74.0	75.5	77.5	78.3	79.7	79.7	83.0	83.9	82.7	78.5	73.9	72.9				122.7
	10000	71.5	73.2	73.5	75.5	76.5	77.1	78.6	78.8	81.4	83.2	80.9	78.5	73.2	72.5				122.0
	12500	68.6	71.2	72.3	73.0	74.1	75.1	76.7	77.5	80.5	81.1	79.7	76.4	71.9	70.0				120.7
	16000	65.4	68.0	69.5	70.0	71.3	72.5	73.6	75.6	78.4	79.0	77.2	74.0	69.0	67.6				118.7
	20000	61.6	64.7	65.9	67.4	68.5	68.4	70.3	72.1	74.9	75.2	74.3	70.8	66.4	64.4				115.7
	25000	57.4	61.9	62.6	65.0	64.2	65.0	66.4	68.9	70.9	71.7	69.9	67.5	63.4	66.6				112.7
	31500	52.8	56.9	57.7	59.9	59.2	61.2	62.5	65.5	66.1	68.3	67.0	64.1	61.4	61.3				109.4
	40000	51.3	53.8	54.9	57.3	56.1	55.2	57.4	63.9	62.9	64.5	62.9	60.6	59.8	65.8				107.2
	50000	53.0	53.7	52.4	58.0	54.6	54.7	54.9	65.1	61.6	65.3	63.8	61.8	62.1	64.0				108.6
	63000	55.1	54.8	53.7	60.1	55.9	55.4	56.2	67.7	63.7	67.8	66.1	63.8	64.5	67.1				112.8
	80000	56.4	55.7	53.7	60.0	57.0	57.6	57.4	69.4	65.3	70.0	67.8	65.8	67.3	70.0				117.7

441

ORIGINAL PAGE IS
OF POOR QUALITY

SPL INPUT AT STD REV. ALPHA 12/73	FREQ.	ANGLES FROM INLET IN DEGREES (AND RADIANS)															PWL		
		30. (0.52)	40. (0.70)	50. (0.87)	60. (1.05)	70. (1.22)	80. (1.40)	90. (1.57)	100. (1.75)	110. (1.92)	120. (2.09)	130. (2.27)	140. (2.44)	150. (2.62)	160. (2.79)	0. (0.)		0. (0.)	0. (0.)
NØ EGA	50	66.6	68.6	69.4	69.7	70.2	70.3	71.1	70.5	71.6	76.1	77.5	80.3	82.3	82.0				117.7
RDG. NO. 0	63	69.3	70.1	70.4	70.7	71.5	71.7	73.0	73.2	74.4	78.1	80.6	83.1	86.3	86.1				120.7
RADIAL 40. FT. (12. M)	80	71.6	71.9	72.3	72.6	74.0	74.2	75.3	75.6	77.8	80.1	84.2	86.9	90.3	91.4				124.7
VEHICLE JENOTS	100	73.2	73.4	75.4	75.9	76.7	78.9	80.7	80.6	83.0	85.4	89.2	93.5	97.3	110.4				138.4
CONFIG JE-000	125	76.0	74.7	77.2	78.2	79.0	82.7	85.4	85.2	86.5	90.5	94.0	98.6	102.3	110.8				139.6
LOC EVENDALE	160	82.2	80.9	80.9	82.4	82.9	86.7	89.9	89.4	92.4	95.2	97.4	101.9	105.1	109.1				140.2
DATE 05-13-75	200	83.8	83.0	81.8	82.8	83.3	87.0	87.3	88.3	90.5	95.0	96.8	101.6	103.7	112.5				141.7
RUN DBTFMODEL11A	250	85.3	87.3	83.8	85.0	85.0	86.3	86.3	86.8	94.0	93.0	95.8	98.8	99.2	104.6				136.6
TAPE X11510	315	87.0	86.0	85.3	85.5	86.0	85.0	87.3	91.3	91.0	95.0	97.5	99.9	97.9	104.3				136.9
BAR 29.5 HG	400	81.9	78.5	81.1	81.7	83.4	87.7	85.6	86.3	88.6	91.8	89.5	92.8	94.7	95.6				131.4
(99516. N/M2)	500	78.1	78.8	82.8	83.0	84.7	86.1	86.5	86.0	88.9	88.7	91.5	96.1	89.8	99.3				132.2
TAMB 68. DEG F	630	82.1	82.2	82.2	80.2	83.2	83.3	84.4	85.9	88.2	90.7	96.5	101.6	98.2	101.8				135.2
(293. DEG K)	800	83.7	85.4	84.6	85.0	85.3	86.8	89.4	91.4	92.8	97.3	101.5	106.5	102.5	103.5				140.3
TWET 57. DEG F	1000	84.3	83.4	86.8	84.4	84.5	87.7	88.9	90.6	96.1	101.1	101.7	97.2	101.1	96.2				138.2
(287. DEG K)	1250	84.5	86.2	88.1	90.0	88.7	90.2	92.2	93.4	97.4	98.6	99.3	98.5	96.4	94.4				137.3
HACT.8.91 GM/M3	1600	84.8	85.2	86.4	87.2	88.6	90.0	91.5	91.5	92.8	95.5	95.8	93.5	91.4	91.5				134.2
(.00891 KG/M3)	2000	84.3	82.6	84.0	86.6	87.2	86.6	89.8	90.6	94.7	96.4	97.2	94.0	89.8	88.0				134.4
FREQ. SHIFT	2500	84.0	82.8	86.0	85.4	86.8	87.7	89.3	91.6	93.0	96.6	94.7	90.4	90.1	86.7				133.5
JET 0	3150	81.7	82.8	84.2	84.2	85.0	85.3	87.9	89.6	92.2	94.8	93.9	90.6	88.0	86.6				132.3
DIAMETER RATIO	4000	79.1	79.9	81.9	82.7	83.8	86.7	87.2	88.4	91.7	93.1	91.0	86.0	84.5	82.2				130.7
DF/DH 1.00	5000	79.9	80.2	81.0	82.0	83.2	83.7	86.0	87.9	91.0	93.4	91.9	87.0	84.2	82.5				130.6
6300	6300	78.1	79.9	81.1	82.2	82.7	83.6	85.6	86.2	89.4	91.3	91.2	86.5	83.2	81.4				129.5
8000	8000	77.3	79.3	80.3	81.6	82.3	83.6	84.8	85.0	88.6	90.7	90.0	86.8	83.4	82.4				129.3
10000	10000	77.6	81.3	81.8	82.9	83.1	82.7	83.5	84.4	88.0	90.0	89.5	86.8	83.3	82.4				129.3
12500	12500	75.0	80.1	80.9	81.4	81.3	81.5	82.1	83.2	86.6	88.9	88.1	86.1	82.3	80.7				128.1
16000	16000	71.8	78.3	78.9	79.9	79.0	78.9	80.0	81.5	85.0	86.4	86.1	83.4	80.1	79.0				126.4
20000	20000	68.8	74.6	75.8	77.1	76.4	75.8	76.9	78.5	82.3	83.3	83.0	80.2	77.3	77.6				123.9
25000	25000	65.3	72.3	73.3	74.6	73.4	73.1	73.8	75.1	79.1	80.6	79.6	77.2	74.6	77.8				121.5
31500	31500	61.2	68.3	69.3	70.8	69.3	69.6	70.7	72.1	74.5	80.8	76.4	73.8	72.6	75.5				119.6
40000	40000	57.7	65.7	66.9	68.2	66.0	65.1	66.0	67.7	70.6	74.4	73.1	70.5	70.4	77.4				116.6
50000	50000	56.1	64.3	64.5	68.1	64.2	63.8	65.1	66.3	66.3	75.4	74.2	71.4	72.0	74.3				117.3
63000	63000	56.7	64.1	65.0	69.2	65.0	64.8	65.7	67.3	65.0	79.2	76.2	73.9	74.4	76.7				121.6
80000	80000	57.2	64.0	65.0	69.3	66.3	66.4	67.7	68.9	65.6	79.6	77.1	76.1	76.4	77.6				125.6
OVERALL MEASURED																			
OVERALL CALCULATED		95.9	96.3	97.1	97.8	98.3	99.7	101.3	102.4	105.5	108.3	109.5	111.6	111.6	117.8				149.9
PND8		107.6	107.8	109.2	109.5	110.5	111.7	113.2	114.8	117.2	120.0	120.0	120.3	118.4	122.3				