

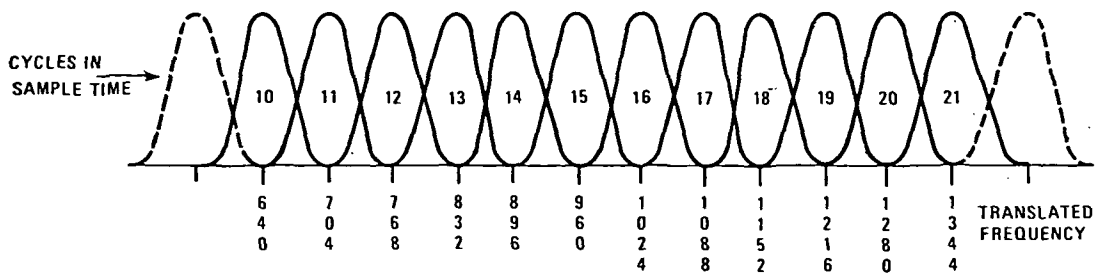
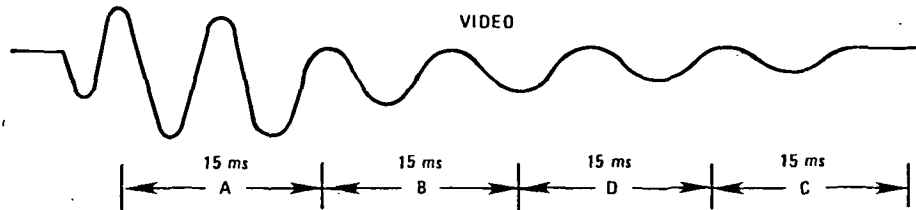
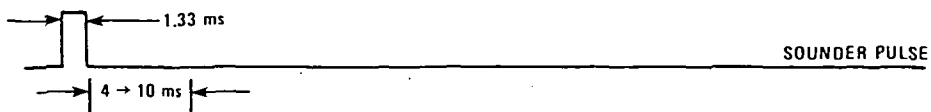
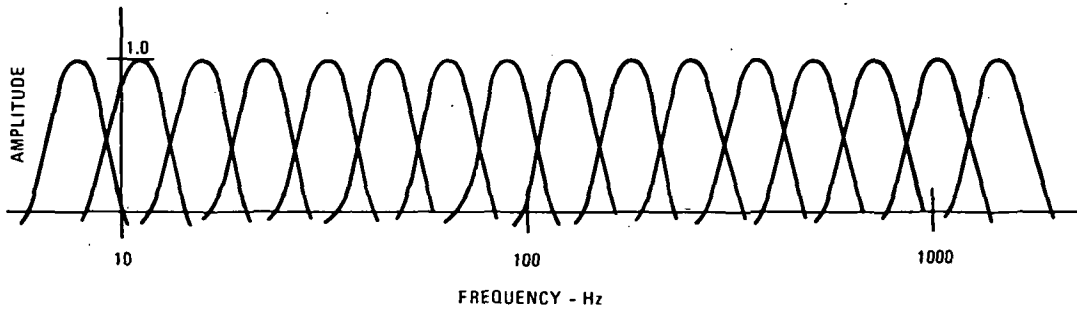
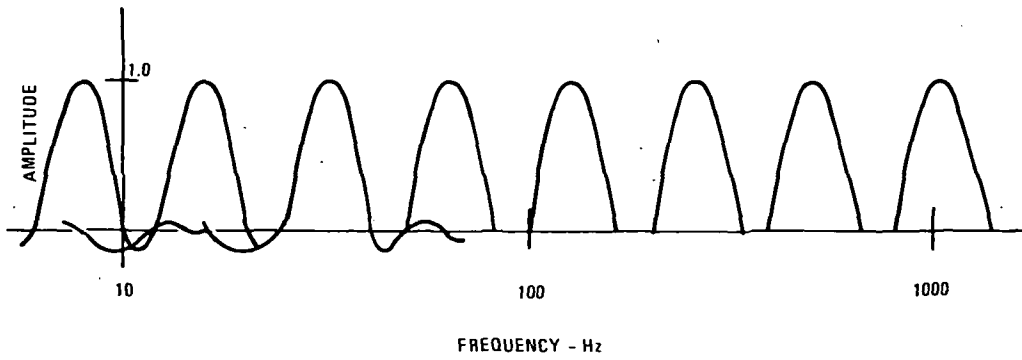
A PLASMA WAVE FOURIER TRANSFORM PROCESSOR EMPLOYING 1802 MICROCOMPUTERS FOR SPACECRAFT INSTRUMENTATION

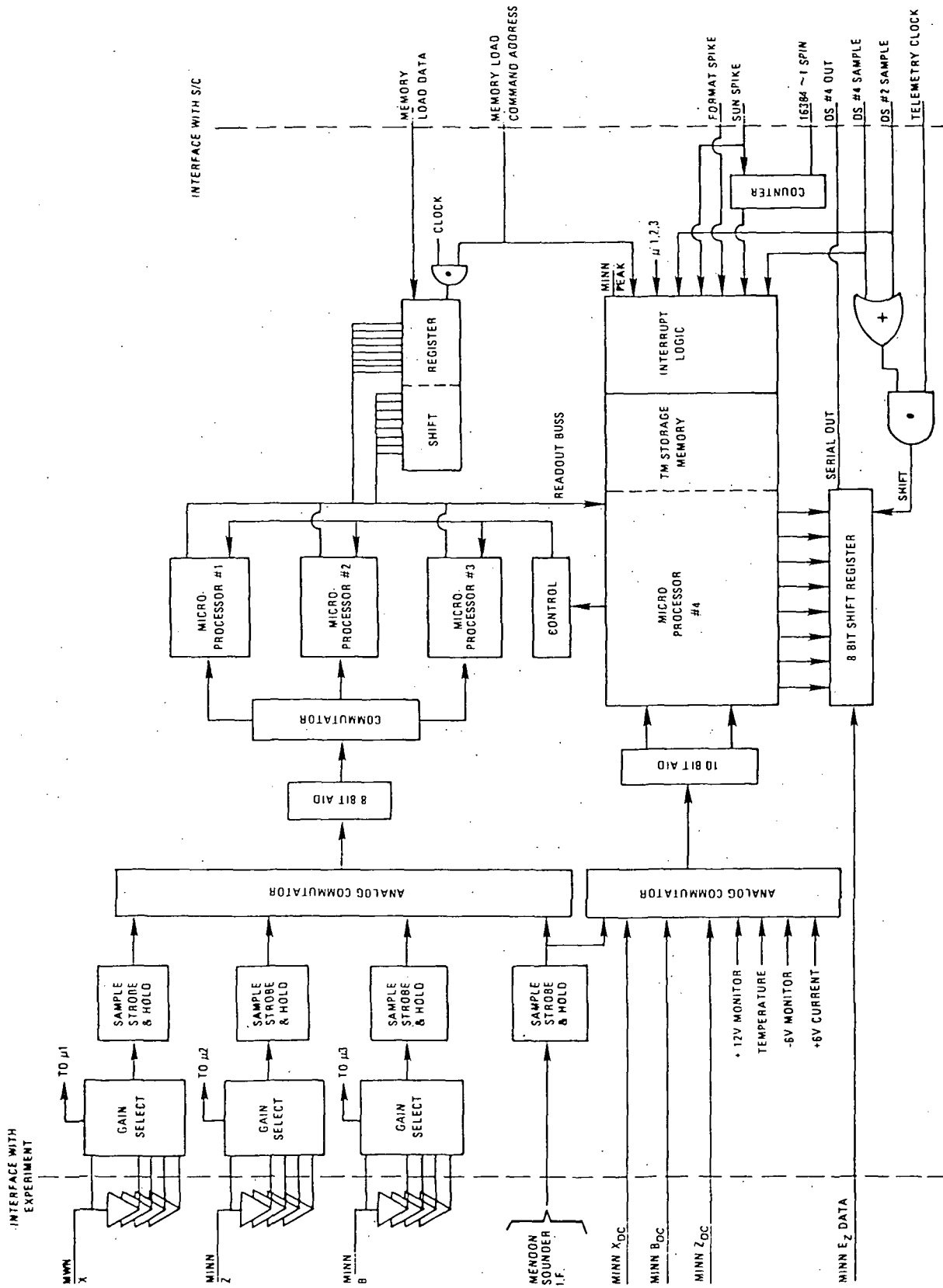
Donald C. Lokerson and James N. Caldwell
Goddard Space Flight Center
Greenbelt, Maryland

The requirements of low power, small space, low weight, and high data compression limit the capabilities of interplanetary plasma wave processing. The processing of plasma wave signals in spinning spacecraft in the range from D.C. to 500Hz are described. Another signal source from the intermediate frequency of a sounder transponder is processed by the same hardware, but with linear Fourier transform software.

Three antenna inputs are filtered to prevent aliasing above 500Hz. A 92db range of data is multiplexed to an analog-to-digital converter, and then to three RCA 1802 microcomputers. Groups of this data are collected under DMA control by each microcomputer. A logarithmically-spaced Fourier transform is computed. Each computer requires 2 kilowords of read-only-memory and a half kiloword of random access memory.

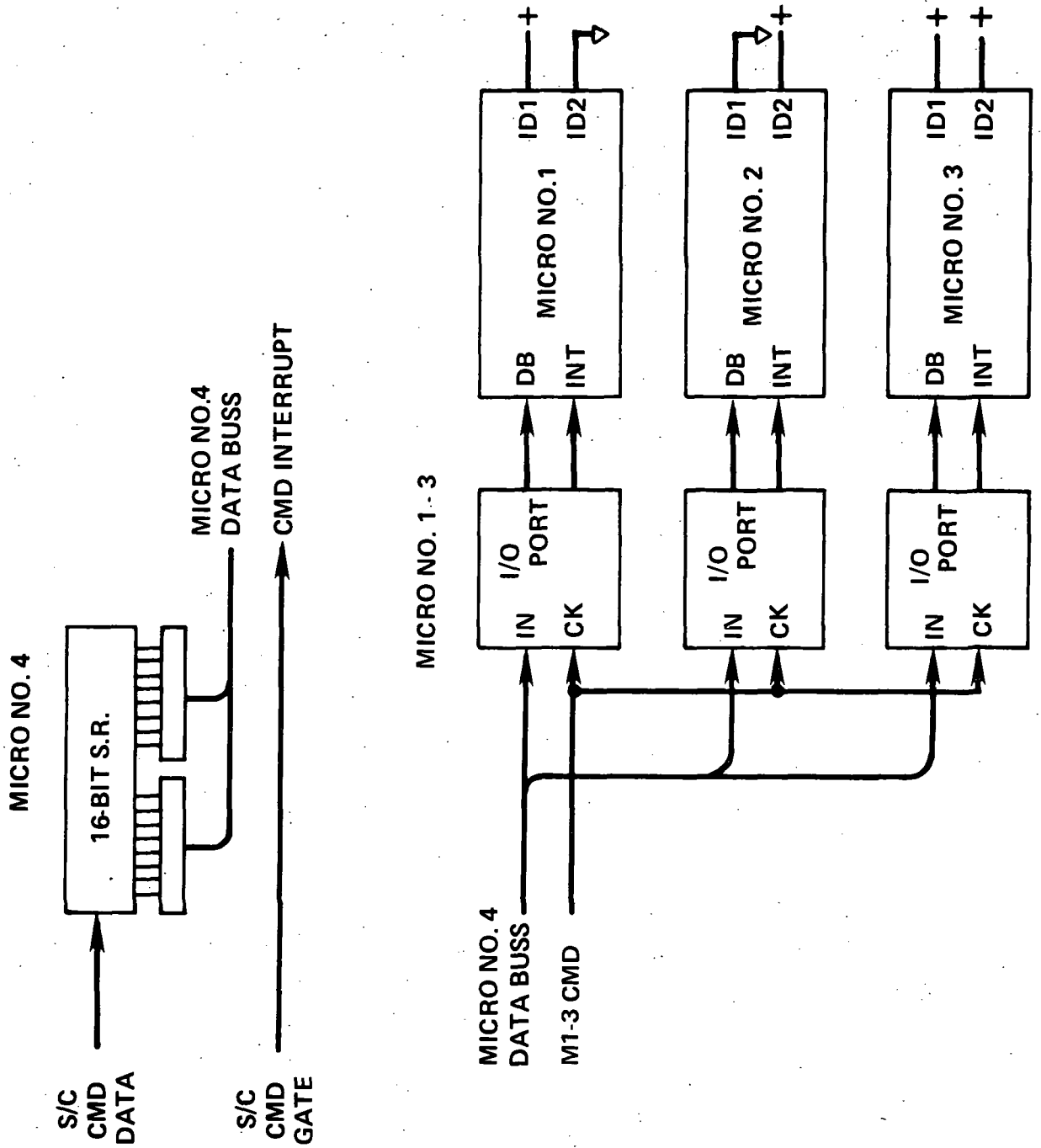
Data at lower frequencies is spin modulated by the spacecraft. For these signals, data is sampled 512 times in one spin and also processed by logarithmically-spaced Fourier transform techniques. A fourth microcomputer performs this task and coordinates all operations. This microcomputer requires 5 kilowords of read-only-memory and 3.5 kilowords of random address memory. The computer also performs data averaging, peak detection, data formatting, output compression, and ground commanded tasks.





Functional block diagram of SPM-FFT Processor

COMMANDS



INPUT

STATE 0

- GAIN RANGE ALL INPUT GROUPS
- STROBE ALL SAMPLE AND HOLD AMPLIFIERS

STATE 1

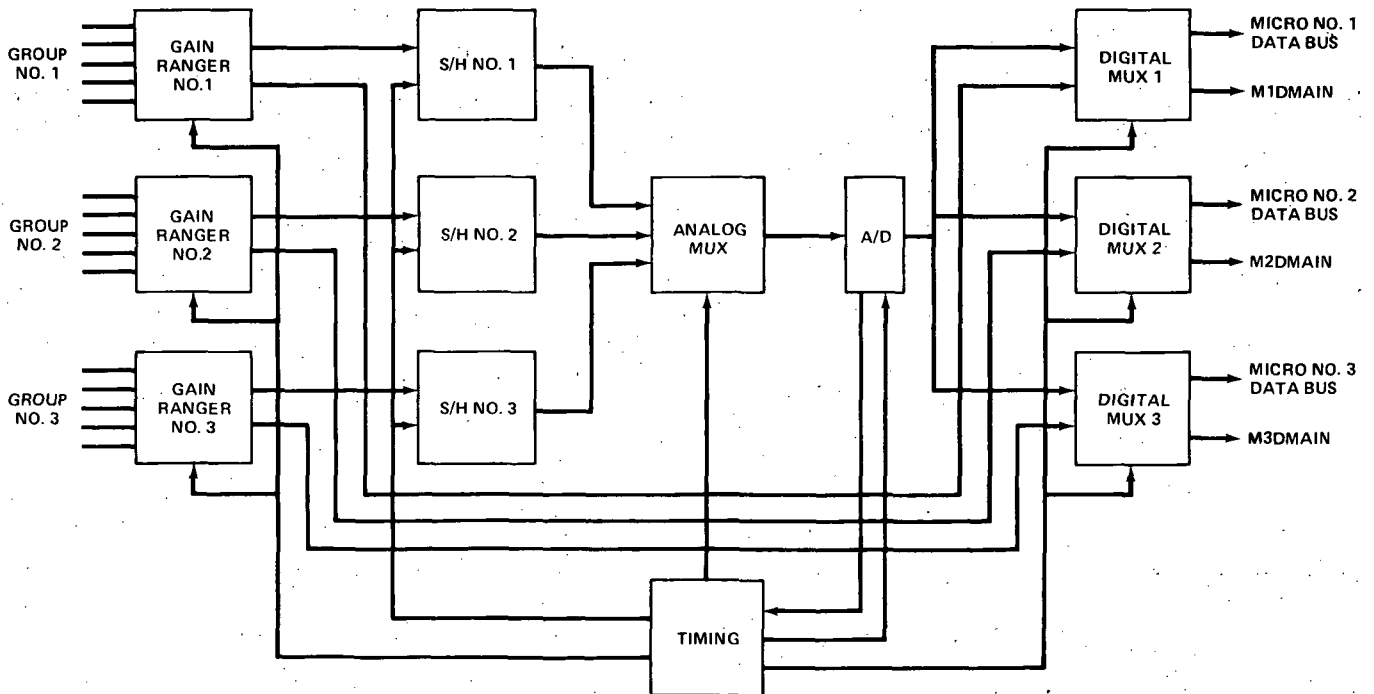
- A/D CONVERT S/H NO. 1
- DMA GAIN RANGE AND A/D DATA FOR GROUP NO. 1 TO MICRO NO. 1

STATE 2

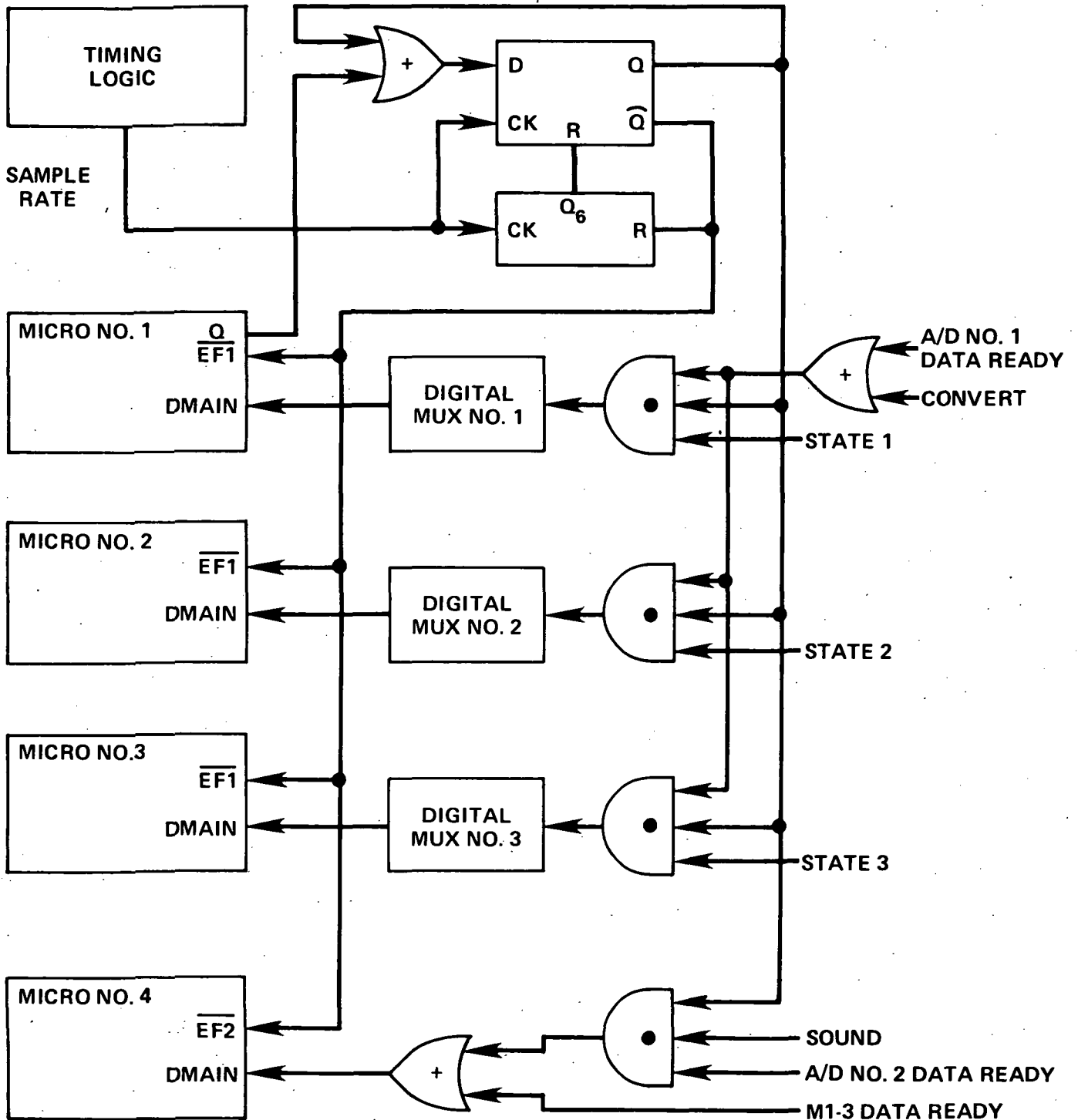
- A/D CONVERT S/H NO. 2
- DMA GAIN RANGE AND A/D DATA FOR GROUP NO. 2 TO MICRO NO. 2

STATE 3

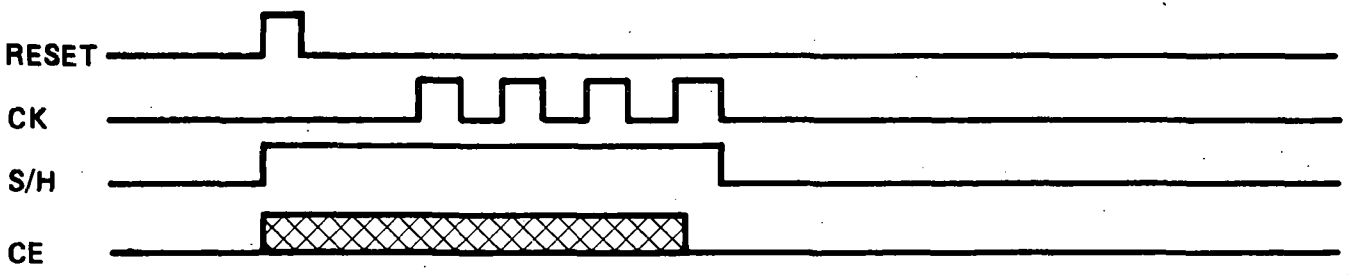
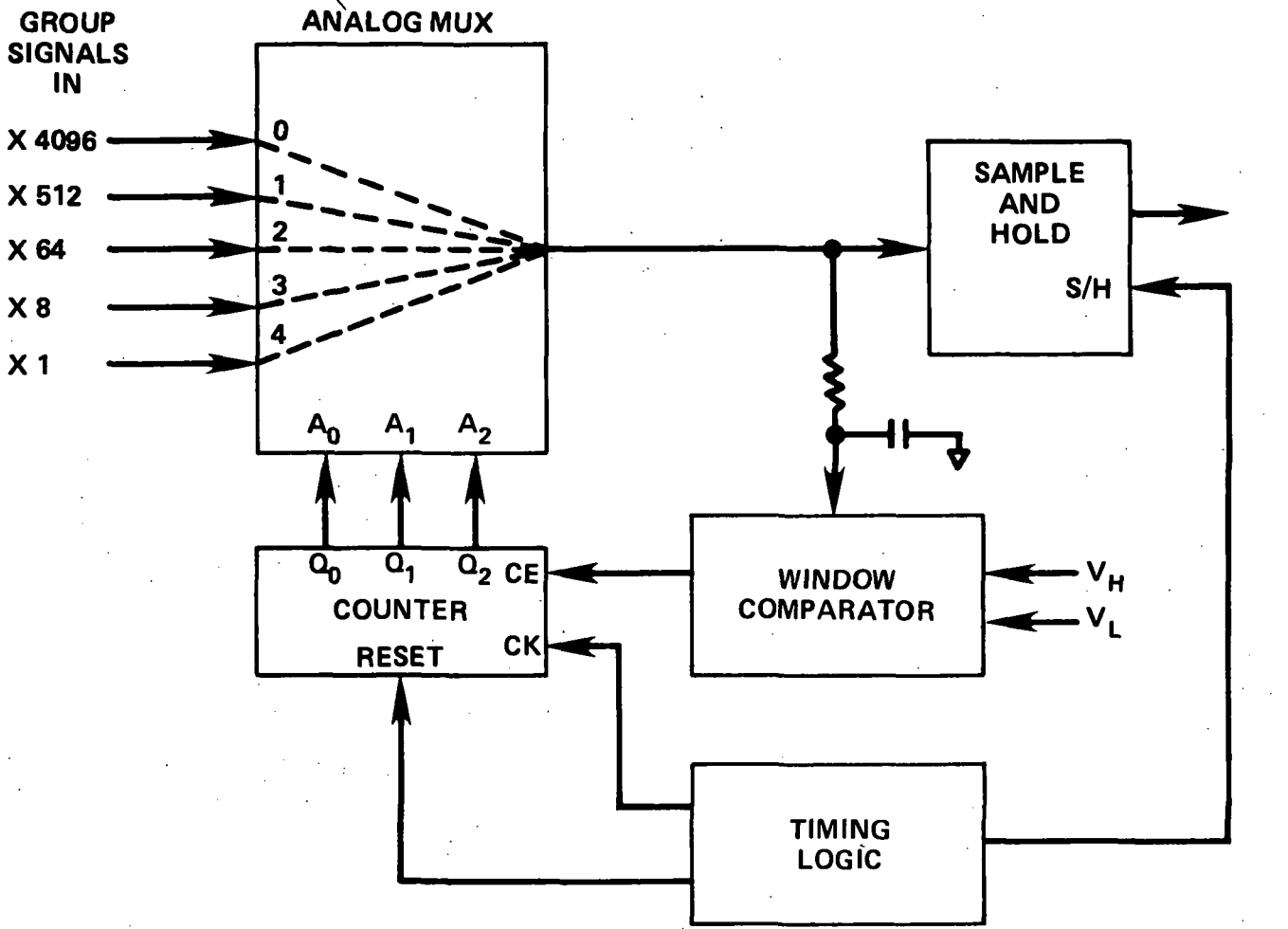
- A/D CONVERT S/H NO. 3
- DMA GAIN RANGE AND A/D DATA FOR GROUP NO. 3 TO MICRO NO. 3



DMA CONTROL



GAIN RANGING



INTERRUPT LOGIC

