

1985 ANNUAL MANUAL

Informal Paper — 10 Minutes

COMPARISON OF THE STI "NIPIP" TRACKING
DYNAMICS IDENTIFICATION WITH THE
ON-LINE FOURIER ANALYZER "DFA" RESULTS
INCLUDING A TIME VARYING CASE

Henry R. Jex
Greg Hanson (formerly at STI)

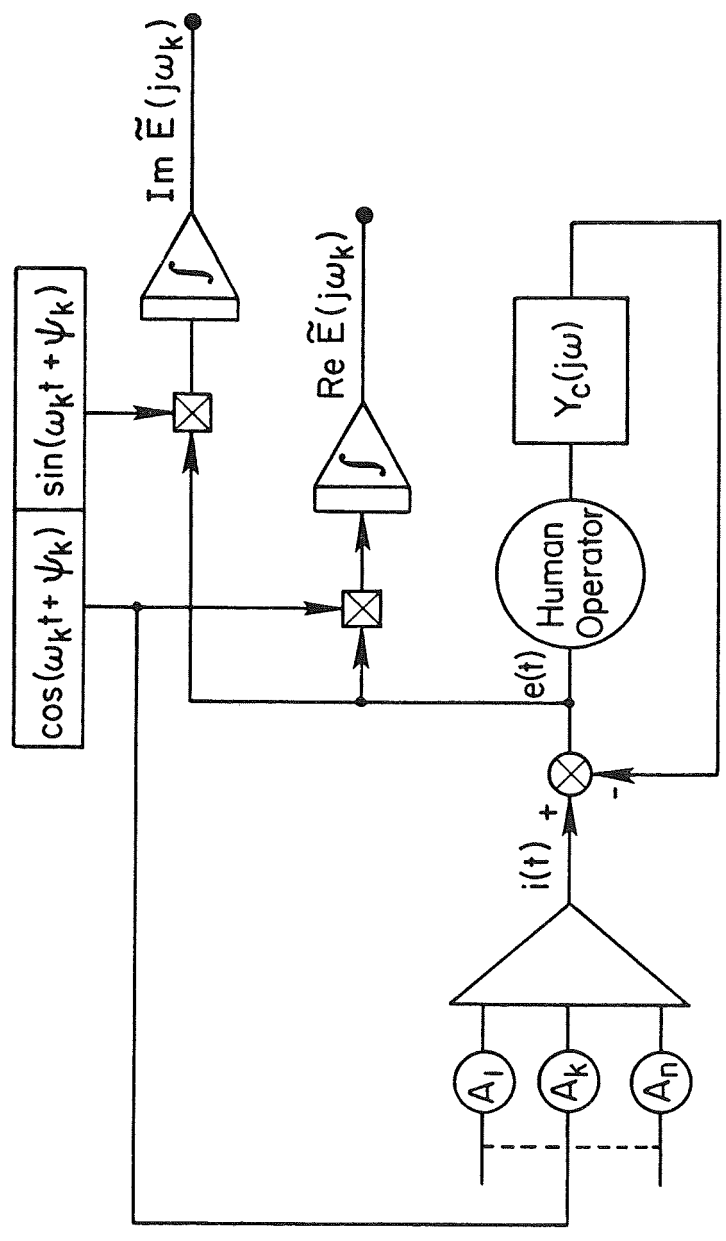
Systems Technology, Inc.
13766 S. Hawthorne Blvd.
Hawthorne, CA 90250
(213) 679-2281

The Non-Intrusive Pilot Identification Procedure (NIPIP) recently developed at STI and described at the 1981 Annual Manual has been used to identify operators who were compensatory tracking a "sub-critical-instability" task; i.e., the controlled element: $Y_c = K/(s-2)$. NIPIP uses a time domain least squares procedure converting to frequency domain coefficients. The forcing function was a sum of sinusoids supplied by the STI Mark II Describing Function Analyzer, which computes on-line Fourier coefficients of the operator's error/input describing function. The resulting open-loop and operator dynamics computed by each procedure are compared, and they are shown to be reasonably close when there is reasonable power in the error signal at the measurement frequencies.

A special run was made in which the operator abruptly reduced gain within 1 sec, and the ability of the NIPIP to identify this step time variation in the operator is illustrated.

*This research was performed as part of Contract F33615-82-C-0629, "Development of Psychomotor Indices of Operational Performance," for whom the Technical Monitor is J. Miller of the Crew Performance Branch at the AF School of Aerospace Medicine, Brooks AFB.

THE DESCRIBING FUNCTION ANALYZER - D.F.A.
SIMPLIFIED FOURIER ANALYSIS



DESCRIBING FUNCTION RELATIONSHIPS

MEASURE

$$\text{ERROR/INPUT: } \overline{Y_{ie}} = \frac{E(j\omega_k)}{I(j\omega_k)} \quad (1)$$

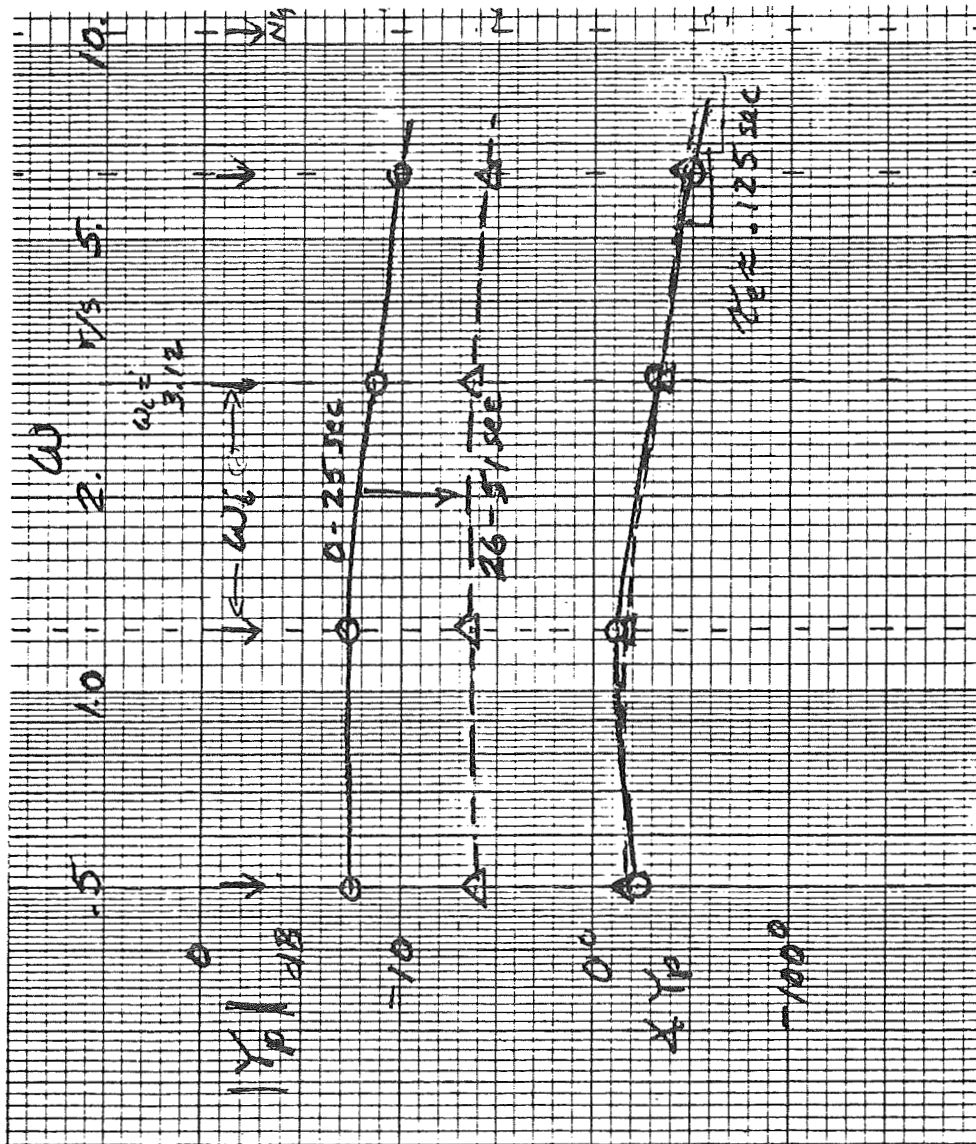
DERIVE

$$\text{OPEN LOOP: } \overline{Y_{OL}} = \frac{1}{\overline{Y_{ie}}} - 1 \quad (2)$$

$$\text{CLOSED LOOP: } \overline{Y_{CL}} = 1 - \overline{Y_{ie}} \quad (3)$$

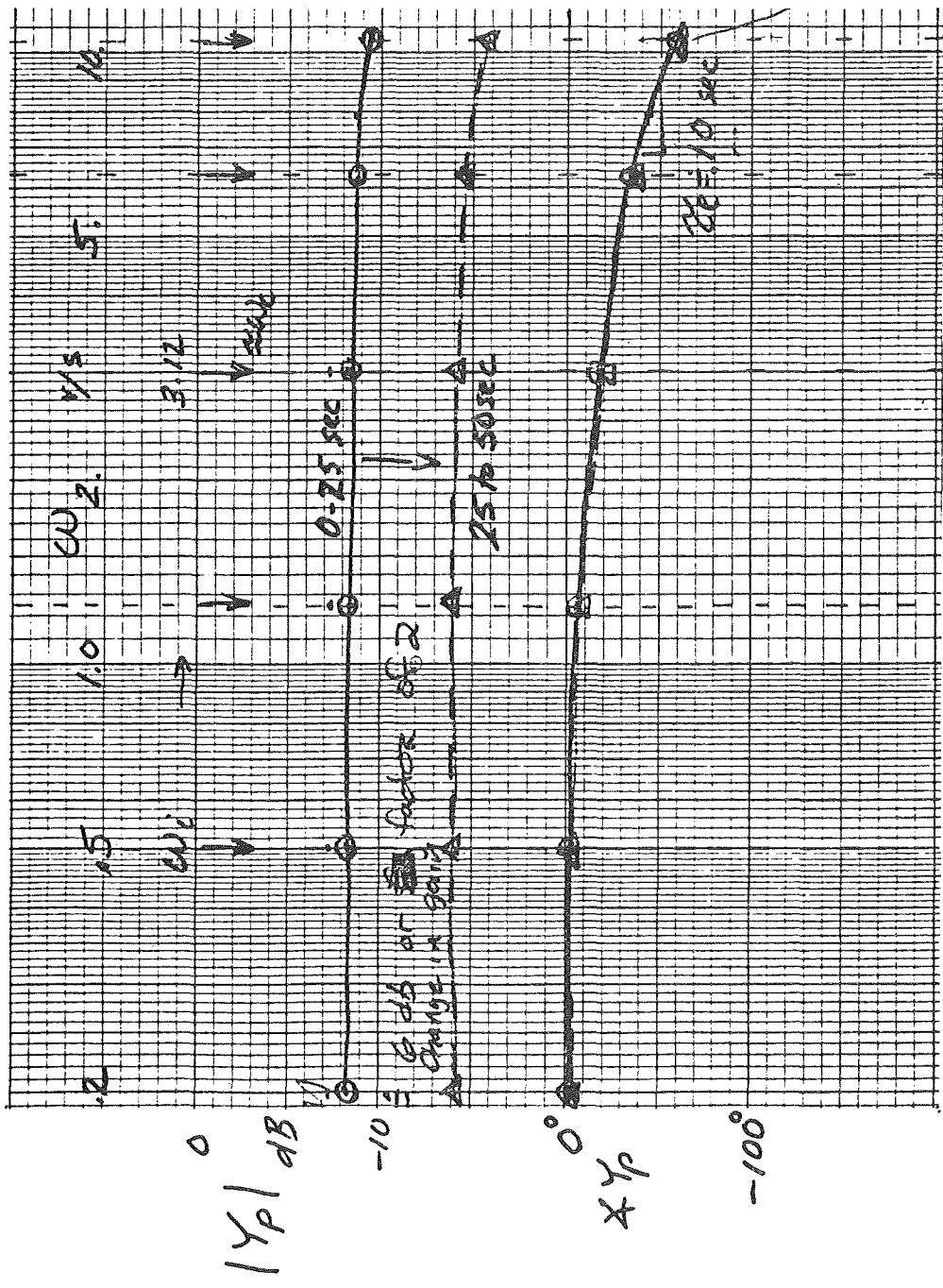
$$\text{HUMAN OPERATOR: } \overline{Y_P} = \frac{\overline{Y_{OL}}}{\overline{Y_C}} \quad (4)$$

OPERATOR'S DESCRIBING FUNCTIONS FROM THE D.F.A.

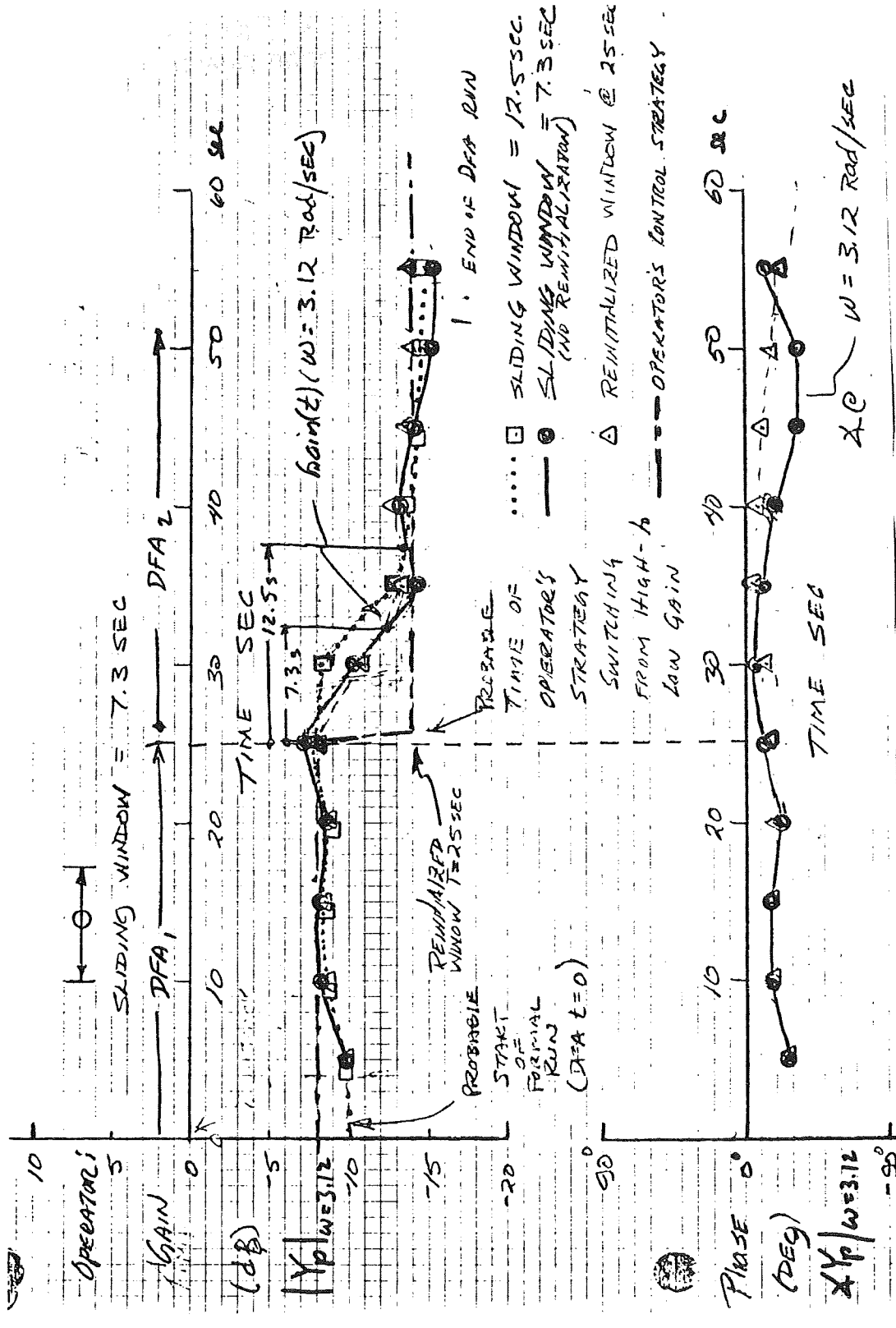


ORIGINAL PAGE IS
OF POOR QUALITY

OPERATOR'S DESCRIBING FUNCTIONS FROM N.I.P.I.P.



TIME COURSE OF NIIP'S $Y_p @ \omega = 3.12 \text{ 1/s}$ FOR VARIOUS "WINDOWS"



CONCLUSIONS

- NIPIP RESULTS CLOSELY MATCH DFA FOR FREQUENCIES BELOW GAIN CROSSOVER, WHERE $|E/I(j\omega)| < 1.0$
- ABOVE ω_c , IN NOISY CASES (LOW A_i , FATIGUED OPERATOR), DFA DATA ARE UNRELIABLE
- CONVERSION OF TIME DOMAIN COEFFICIENTS TO FREQUENCY DOMAIN DESCRIBING FUNCTIONS AT ω_i 's, GIVES VERY RAPID AND ACCURATE DATA
- NIPIP CAN "FOLLOW" TIME A VARYING OPERATOR WITH AN EFFECTIVE LAG \approx SLIDING-WINDOW TIME