

A FAULT-TOLERANT RISC MICROPROCESSOR
FOR SPACECRAFT APPLICATIONS

CONSTANTIN TIMOC
SPACEBORNE INC.

HARRY BENZ
NASA/LaRC

N93-27708

163691

54-60

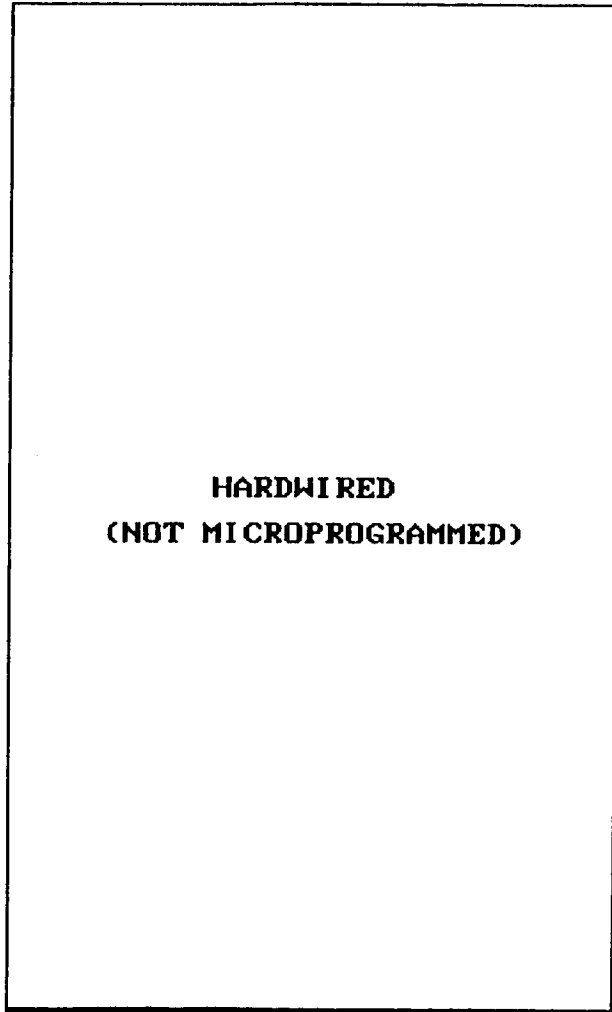
103

PRECEDING PAGE BLANK NOT FILMED

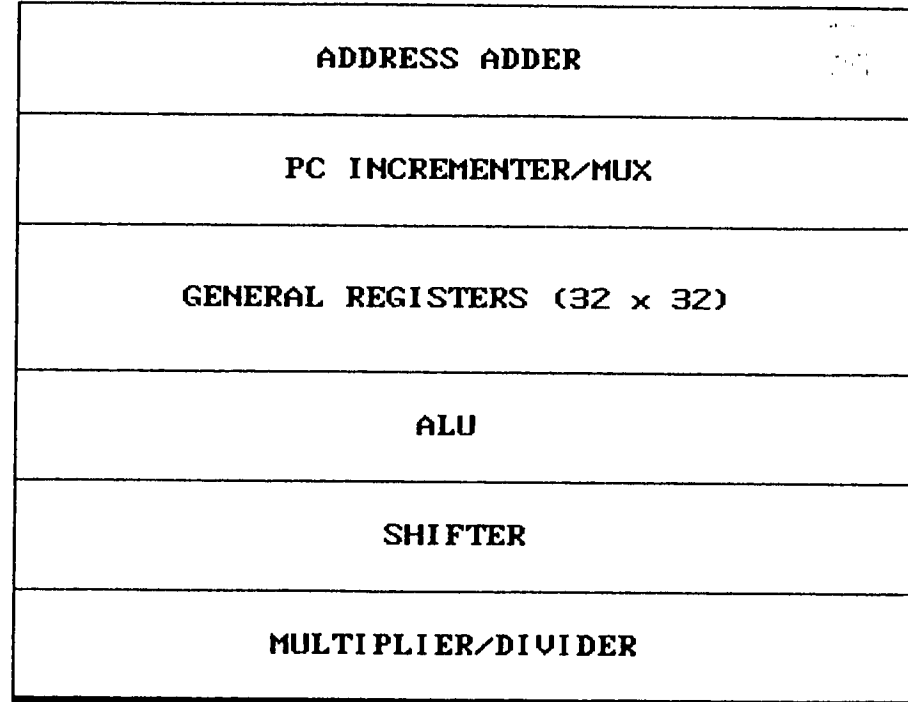
103
INTERNATIONALLY MARKETED

REDUCED INSTRUCTION SET COMPUTER

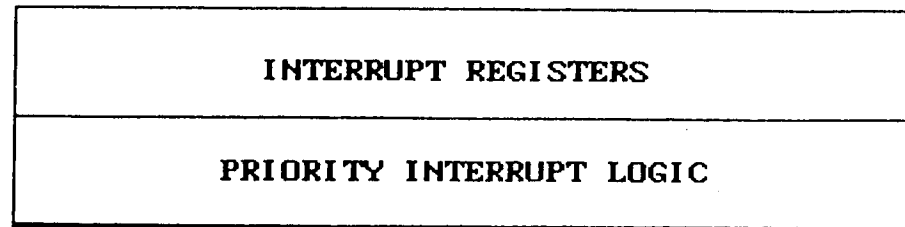
CONTROL UNIT



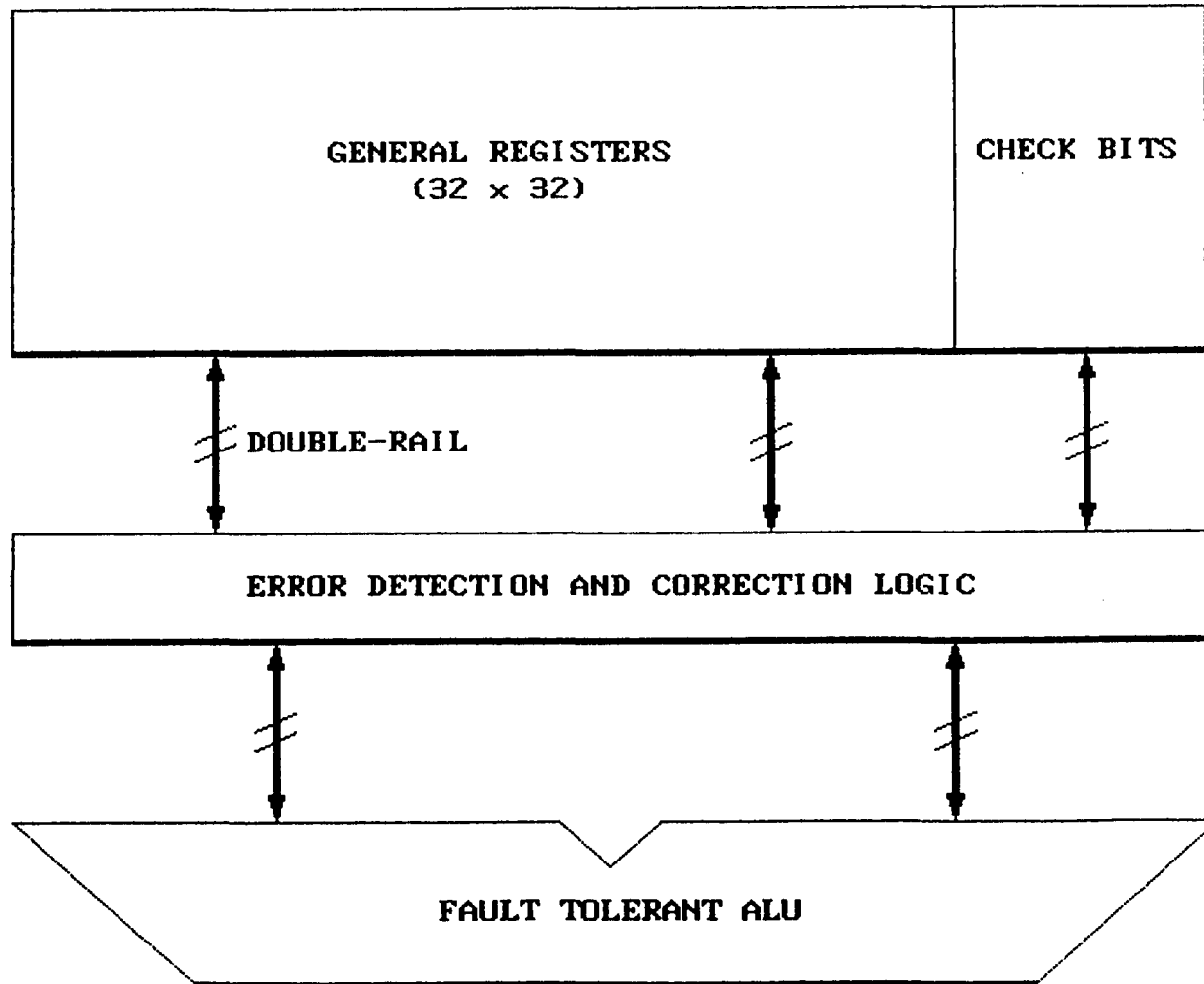
DATA AND ADDRESS UNIT



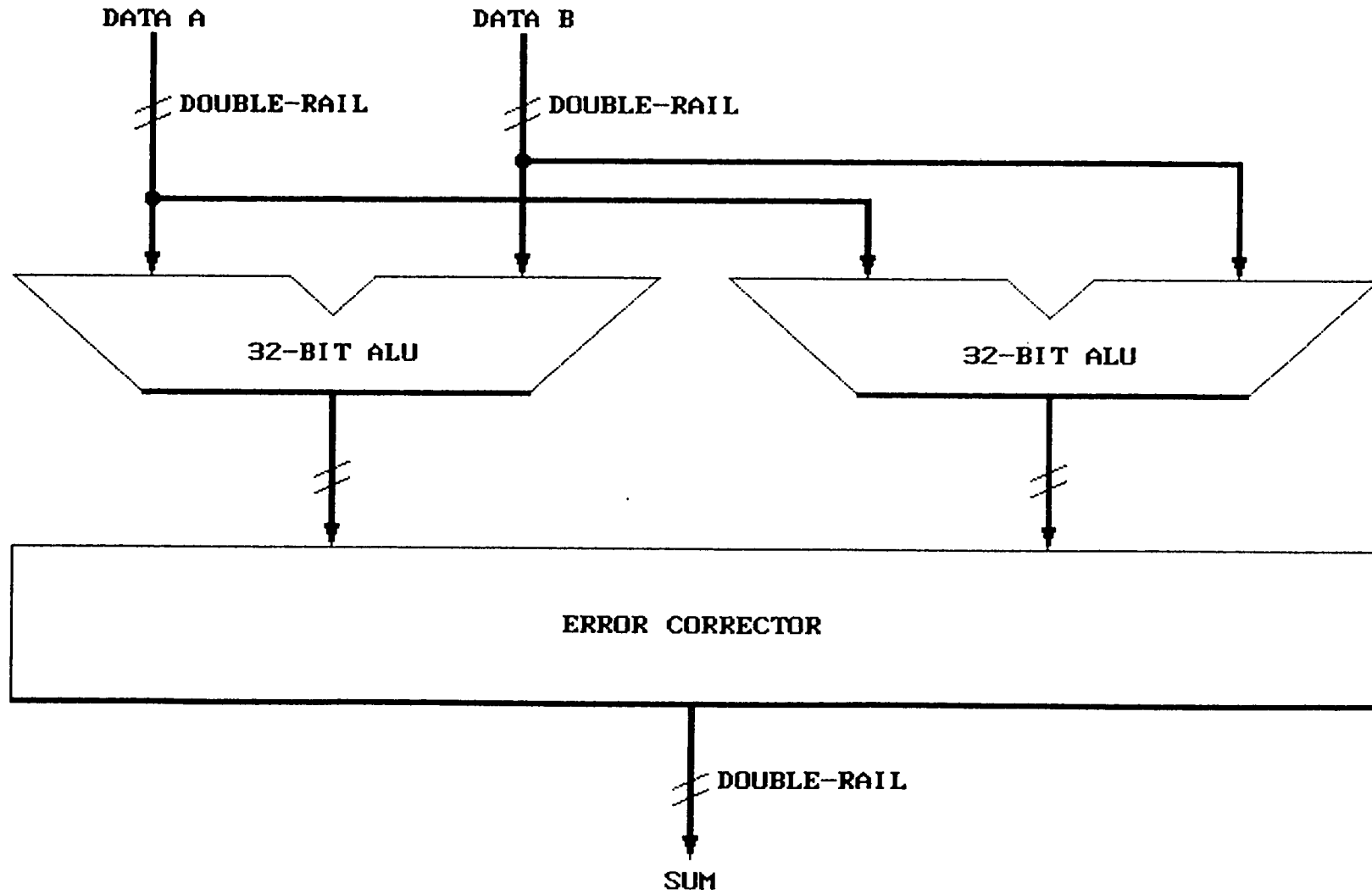
INTERRUPT UNIT



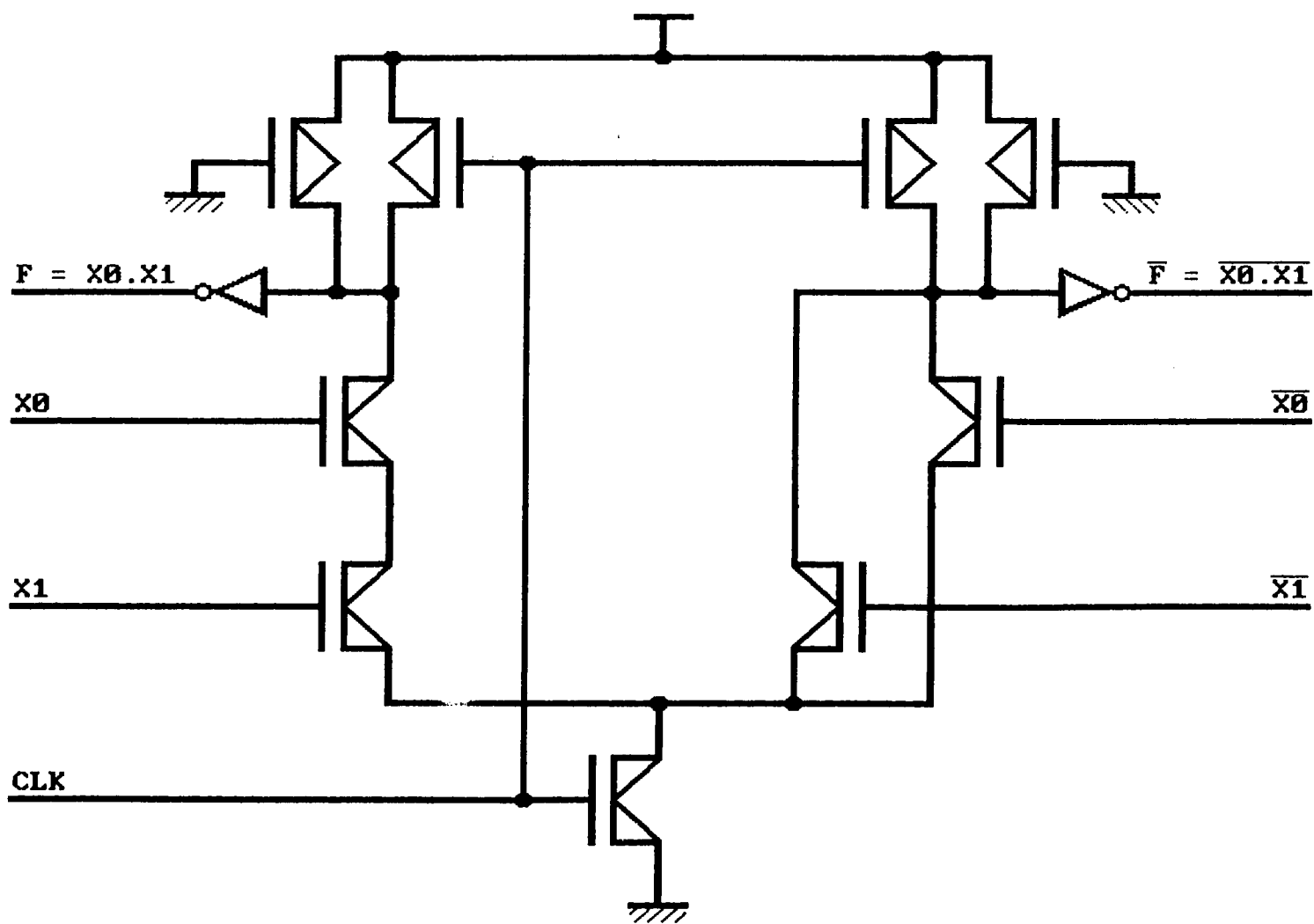
FAULT TOLERANT REGISTERS



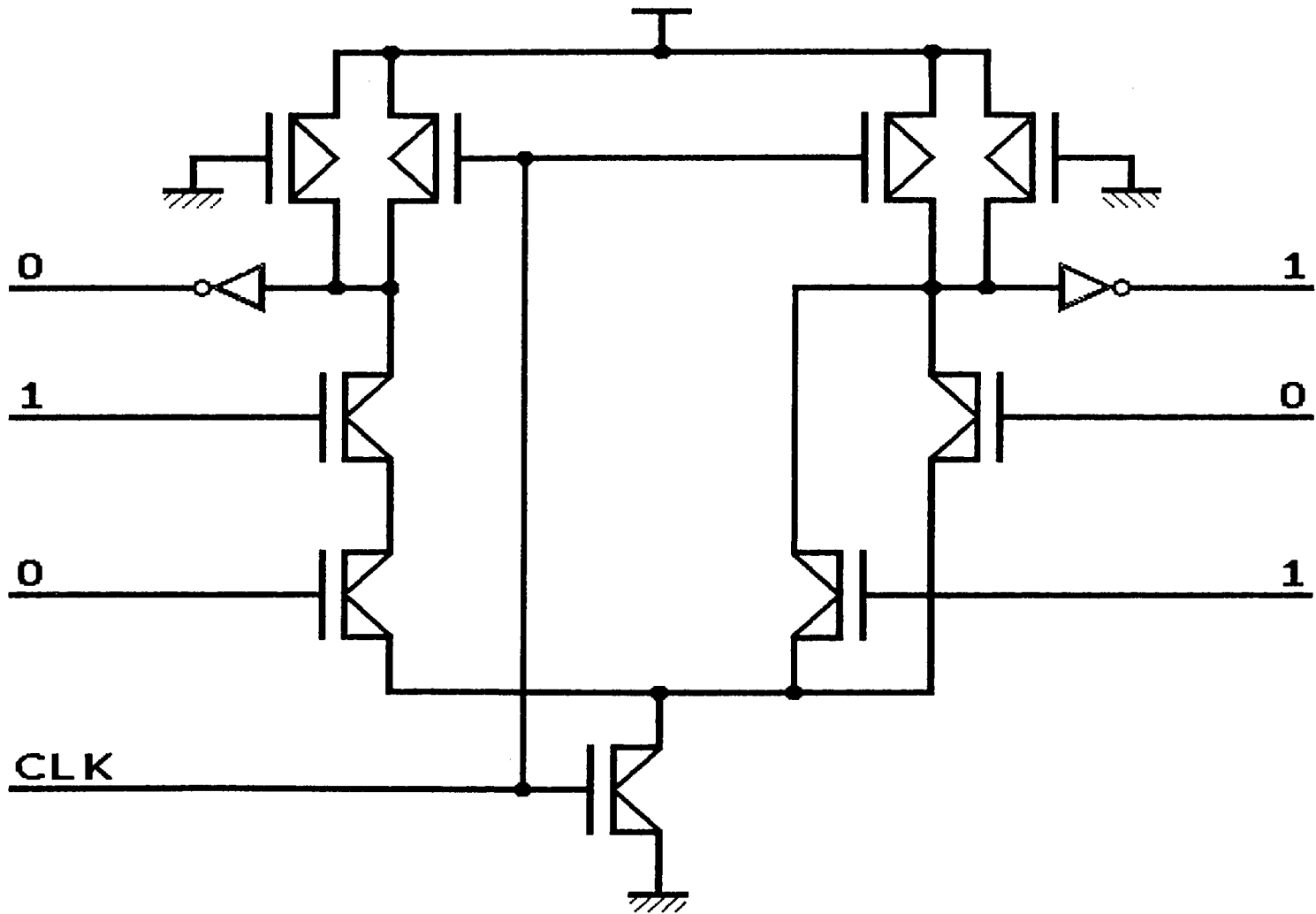
FAULT TOLERANT ALU



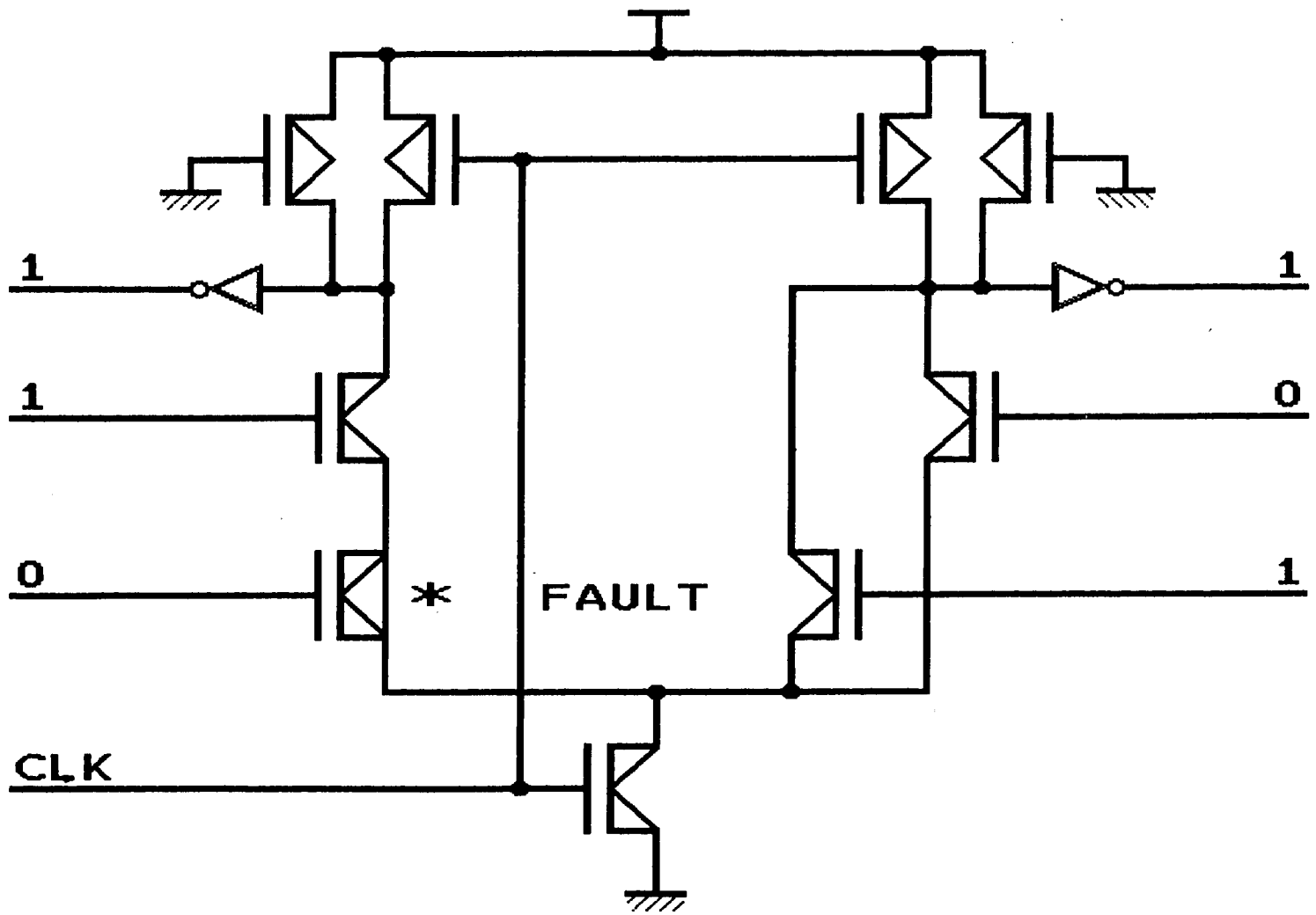
DOUBLE RAIL CMOS LOGIC



DOUBLE RAIL CMOS LOGIC
(GOOD CIRCUIT)



DOUBLE RAIL CMOS LOGIC (TRANSISTOR STUCK-ON)



**DOUBLE RAIL CMOS LOGIC
(TRANSISTOR STUCK-OFF)**

