

# REPORT No. 899

## A GENERAL SMALL-DEFLECTION THEORY FOR FLAT SANDWICH PLATES

By CHARLES LIBOVE and S. B. BATDORF

### SUMMARY

*A small-deflection theory is developed for the elastic behavior of orthotropic flat plates in which deflections due to shear are taken into account. In this theory, which covers all types of flat sandwich construction, a plate is characterized by seven physical constants (five stiffnesses and two Poisson ratios) of which six are independent. Both the energy expression and the differential equations are developed. Boundary conditions corresponding to simply supported, clamped, and elastically restrained edges are considered.*

### INTRODUCTION

The advent of high-speed flight and the concurrent necessity of maintaining aerodynamically smooth surfaces under high stress have led to the increased study of sandwich-plate construction as a possible substitute for sheet-stringer construction in airplane design. A sandwich plate consists essentially of a relatively thick, low-density, low-stiffness core bonded between two thin sheets of high-stiffness material. Materials that have been considered for the core include balsa wood, hard foam rubber, cellulose acetate, resin-impregnated cloth fashioned into a honeycomb, corrugated metal sheet, and even closely spaced stiffeners of the conventional type. The face sheets may be of metal, plywood, wood-pulp plastic, or some other type of high-stiffness material.

Because of the low-stiffness core, the sandwich plate will, in general, experience appreciable deflection due to shear. Furthermore, because the face sheets or core (or both) may have orthotropic stretching properties, the sandwich plate will in general be orthotropic in its flexural properties. As a result, ordinary plate theory, which is based on the assumptions that the plate is isotropic and that deflections due to shear may be neglected, cannot be used to determine the stresses, deflections, or buckling loads of sandwich plates.

A general small-deflection theory for flat orthotropic plates is therefore developed in which deflections due to shear are taken into account. The theory is applicable to any type of orthotropic or isotropic sandwich that behaves essentially as a plate, provided certain physical constants are known. These physical constants (two flexural stiffnesses, two shear stiffnesses, a twisting stiffness, and two Poisson ratios defined in terms of curvatures) serve to describe the plate deformations associated with simple loading conditions and may be regarded as fundamental properties of the plate. For simpler types of sandwich construction the physical constants can be evaluated theoretically from the geometry and physical properties of the materials used. For more complicated types of construction, these constants can be evaluated by means of simple tests on samples of the assembled sandwich,

as described in appendix A. A reciprocal relationship between the flexural stiffnesses and Poisson ratios is derived in appendix B.

As is the case with ordinary plate theory, the orthotropic plate theory consists of two parts, each complete in itself. These parts are a set of six differential equations, three of which express the equilibrium of an infinitesimal plate element and three of which relate the curvatures and twist of the element to the forces and moments acting upon it, and an expression for the total potential energy of the system comprising the plate and the forces acting upon it. The six differential equations involve six variables. However, it is shown how these simultaneous equations can be reduced to a single equation of sixth order involving any one of the variables alone. In appendix C the consistency between the differential equations and the potential-energy expression is shown by a variational method.

The consideration of deflections due to shear makes necessary the specification of one more boundary condition than in ordinary plate theory. This fact was first appreciated by Reissner in reference 1. Because of some arbitrariness in the choice of the additional boundary condition, two types of simple support and two types of clamped edges are possible. Furthermore, three boundary conditions can be specified for a free edge, in contrast to ordinary plate theory. Boundary conditions more general than freedom, simple support, or clamping are considered in appendix C.

A number of investigations related to the problem of orthotropic- or isotropic-sandwich-plate analysis have been made previously. Theories for the bending of orthotropic plates due to lateral loads and buckling due to edge loads, neglecting deflections due to shear, are given in references 2, 3, and 4 and pages 380-384 of reference 5. The effect of shear on the bending due to lateral load of homogeneous isotropic plates and isotropic sandwich plates is considered in reference 6. The effect of shear on the bending due to uniform lateral load and buckling due to edge compression of simply supported isotropic sandwich plates with homogeneous cores is considered in investigations by Hopkins and Pearson and by Leggett and Hopkins. A rough method of taking into account deflections due to shear in the buckling of simply supported orthotropic sandwich plates is used in reference 7.

The present theory may be regarded as a natural extension to plates of the approximate theory used in pages 170-174 of reference 8 to take into account deflections due to shear in a beam. The theory of this paper is more general than the aforementioned theories in that it applies to orthotropic or isotropic sandwich plates with homogeneous or nonhomogeneous cores and with arbitrary boundary conditions, it presents both the differential equations and the

energy expression for the plate, and it is applicable to problems that involve lateral as well as edge loads. The differential equations of the present theory are reduced to special forms in order that they may be compared with the equations obtained in references 5 and 6.

The detailed development of the theory comprises most of the following sections and the appendixes. The main parts of the theory are summarized briefly in a section entitled "Recapitulation of Principal Results."

**SYMBOLS**

$x, y, z$  orthogonal coordinates;  $z$  measured normal to plane of plate and  $x$  and  $y$  parallel to principal axes of flexural symmetry, inches

$w$  deflection of middle surface of plate, measured in  $z$ -direction, inches

$q$  intensity of lateral loading, pounds per square inch

$Q_x$  intensity of internal shear acting in  $z$ -direction in a cross section originally parallel to  $yz$ -plane, pounds per inch

$Q_y$  intensity of internal shear acting in  $z$ -direction in a cross section originally parallel to  $xz$ -plane, pounds per inch

$M_x$  intensity of internal bending moment acting upon a cross section originally parallel to  $yz$ -plane, inch-pounds per inch

$M_y$  intensity of internal bending moment acting upon a cross section originally parallel to  $xz$ -plane, inch-pounds per inch

$M_{xy}$  intensity of internal twisting moment acting in a cross section originally parallel to  $yz$ -plane or  $xz$ -plane, inch-pounds per inch

$N_x$  intensity of middle-plane tensile force parallel to  $xz$ -plane, pounds per inch

$N_y$  intensity of middle-plane tensile force parallel to  $yz$ -plane, pounds per inch

$N_{xy}$  intensity of middle-plane shearing force parallel to  $yz$ -plane and  $xz$ -plane, pounds per inch

$D_x, D_y$  flexural stiffnesses of plate with anticlastic bending unrestrained, inch-pounds  
 (  $\frac{\text{Bending moment per inch}}{\text{Curvature}}$  )

$D_{xy}$  twisting stiffness of plate, inch-pounds  
 (  $\frac{\text{Twisting moment per inch}}{\text{Twist}}$  )

$D$  flexural stiffness of ordinary plate, inch-pounds

$D_{Q_x}, D_{Q_y}$  shear stiffnesses of plate, pounds per inch

$\mu_x, \mu_y$  Poisson ratios for plate, defined in terms of curvatures

$\mu$  Poisson ratio for ordinary plate

$\gamma_x, \gamma_y$  shear-strain angles due to shears  $Q_x$  and  $Q_y$ , respectively, radians

$h$  thickness of plate, inches

$a, b$  length and width, respectively, of rectangular plate, inches

$V$  total potential energy of system, inch-pounds

$V_1$  strain energy of bending of plate, inch-pounds

$V_2$  potential energy of external loads, inch-pounds

$u, v$  displacements in  $x$ -direction and  $y$ -direction, respectively, of a point in middle surface of plate, inches

$[D], [M], [N], [P]$  differential operators

**SIGN CONVENTION**

The sign convention and notation used in the present paper are, wherever convenient, the same as those used by Timoshenko in reference 5.

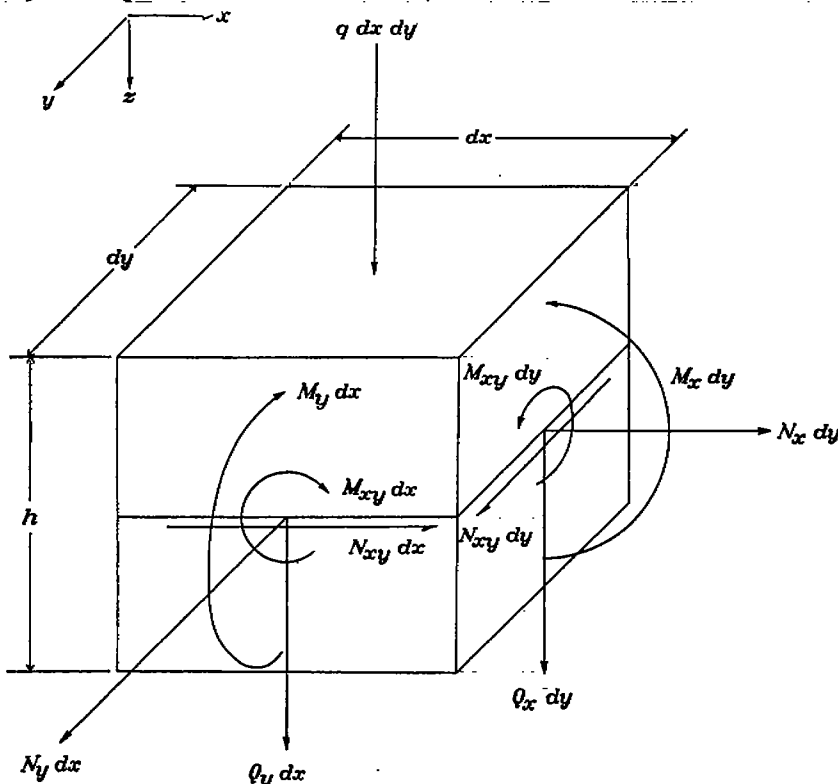


FIGURE 1.—Forces and moments acting on differential element  $dx dy$ .

The  $x$ -,  $y$ -, and  $z$ -axes of an orthogonal coordinate system are oriented so that the  $xy$ -plane coincides with the undistorted middle plane of the plate. Deflections  $w$  are measured normal to the  $xy$ -plane and are positive in the positive direction of the  $z$ -axis. The lateral load  $q$  is also positive in the direction of the  $z$ -axis.

The internal shears  $Q_x$  and  $Q_y$ , moments  $M_x$ ,  $M_y$ , and  $M_{xy}$ , and middle-plane forces  $N_x$ ,  $N_y$ , and  $N_{xy}$  are shown in figure 1 acting in their positive directions upon an infinitesimal element of length  $dx$  and width  $dy$  cut from the unloaded plate by planes parallel to the  $xz$ - and  $yz$ -planes. Only the forces and moments acting on two adjacent faces of the element are shown. The forces and moments on the opposite faces differ from those on the faces shown only by infinitesimal amounts. The directions in which they act, however, are opposite (for example, moment  $M_x dy$  on the face shown is counterclockwise; moment  $M_x dy$  on the opposite face would be shown acting clockwise). The twisting moment and middle-plane shearing force acting on any cross section are known, from equilibrium considerations, to be equal to the twisting moment and middle-plane shearing force acting on a cross section at right angles. The symbols  $M_{xy}$  and  $N_{xy}$  therefore appear in both of the faces shown in figure 1.

For convenience, in this report the  $z$ -direction is sometimes referred to as the vertical direction and planes parallel to the  $xy$ -plane are sometimes referred to as horizontal planes.

PHYSICAL CONSTANTS

The physical properties of the plate are described by means of seven constants: the flexural stiffnesses  $D_x$  and  $D_y$ , the twisting stiffness  $D_{xy}$ , the transverse shear stiffnesses  $D_{Q_x}$  and  $D_{Q_y}$ , and the Poisson ratios  $\mu_x$  and  $\mu_y$ . Definitions of these constants are obtained by considering the distortions of the differential element of figure 1 under simple loading conditions.

Let all forces and moments acting on the element be zero, except for the moments  $M_x$  acting on two opposite faces. The effect of  $M_x$  is to produce a primary curvature  $\frac{\partial^2 w}{\partial x^2}$  in the middle surface of the element and also a secondary curvature  $\frac{\partial^2 w}{\partial y^2}$  which is a Poisson effect. Then  $D_x$  is defined as the negative of the ratio of moment to primary curvature or

$$D_x = -\frac{M_x}{\frac{\partial^2 w}{\partial x^2}} \tag{1}$$

when only  $M_x$  is acting, and  $\mu_x$  is defined as the negative of the ratio of Poisson curvature to primary curvature or

$$\mu_x = -\frac{\frac{\partial^2 w}{\partial y^2}}{\frac{\partial^2 w}{\partial x^2}} \tag{2}$$

when only  $M_x$  is acting. No other distortions are assumed but  $\frac{\partial^2 w}{\partial x^2}$  and  $\frac{\partial^2 w}{\partial y^2}$  when  $M_x$  acts. The minus signs are introduced in order to make  $D_x$  and  $\mu_x$  essentially positive quantities.

Similarly,  $D_y$  and  $\mu_y$  are defined as

$$D_y = -\frac{M_y}{\frac{\partial^2 w}{\partial y^2}} \tag{3}$$

$$\mu_y = -\frac{\frac{\partial^2 w}{\partial x^2}}{\frac{\partial^2 w}{\partial y^2}} \tag{4}$$

when only  $M_y$  is acting.

If, now, all of the forces and moments are equal to zero except  $M_{xy}$  acting on all four faces, the only distortion produced is a twist  $\frac{\partial^2 w}{\partial x \partial y}$ , and  $D_{xy}$  is defined as the ratio of twisting moment to twist or

$$D_{xy} = \frac{M_{xy}}{\frac{\partial^2 w}{\partial x \partial y}} \tag{5}$$

when only  $M_{xy}$  is acting.

The transverse shear stiffness  $D_{Q_x}$  is defined by letting only the shears  $Q_x$  act on opposite faces of the element (except for an infinitesimal moment of magnitude  $Q_x dy dx$  required for equilibrium). The distortion is assumed for the moment to be essentially a sliding of one face of the element with respect to the opposite face, both faces remaining plane. As a result of this sliding, the two faces parallel to the  $xz$ -plane are distorted from their rectangular shape into parallelograms by an amount  $\gamma_x$ , which is the shear angle measured in the  $xz$ -plane. The shear stiffness  $D_{Q_x}$  is defined as the ratio of shear to shear angle or

$$D_{Q_x} = \frac{Q_x}{\gamma_x} \tag{6}$$

when only  $Q_x$  is acting. If the sides of the element are kept parallel to the  $z$ -axis, the slope of the middle surface is

$$\frac{\partial w}{\partial x} = \gamma_x = \frac{Q_x}{D_{Q_x}}$$

when only  $Q_x$  is acting.

In a similar manner, the shear stiffness  $D_{Q_y}$  is defined as the ratio of the shear on the faces parallel to the  $xz$ -plane to the shear angle measured in the  $yz$ -plane when only  $Q_y$  is acting or

$$D_{Q_y} = \frac{Q_y}{\gamma_y} \tag{7}$$

when only  $Q_y$  is acting. If all sides of the element are kept parallel to the  $z$ -axis, the slope produced is

$$\frac{\partial w}{\partial y} = \gamma_y = \frac{Q_y}{D_{Q_y}}$$

when only  $Q_y$  is acting.

The constants just discussed serve to define the orthotropic sandwich plate; they can be evaluated theoretically if the properties of the component parts of the sandwich are known and if the plate is of simple construction. In any event, the

constants can be determined experimentally by means of bending tests and twisting tests on beams and panels of the same sandwich construction as the plate. A description of the tests required is given in appendix A.

Although seven physical constants have been discussed, they need not all be independently determined for if any three of the four constants  $D_x$ ,  $D_y$ ,  $\mu_x$ , and  $\mu_y$  are known the fourth can be evaluated from the relationship

$$\mu_x D_y = \mu_y D_x \quad (8)$$

This relationship, based on a generalization of Maxwell's reciprocal law, is derived in appendix B.

The shear stiffnesses  $D_{q_x}$  and  $D_{q_y}$  merit some additional discussion. The distortion due to shear was assumed to be a sliding of the cross sections over each other, the cross sections remaining plane and the shear strains remaining constant for the entire thickness of the plate and equal to the shear angle  $\gamma_x$  or  $\gamma_y$ . Actually, if the plate is continuous enough for cross sections to exist at all, under shear the cross sections generally tend to warp out of their plane condition (p. 170 of reference 8); this warping makes the shear angle, as defined for equations (6) and (7), meaningless. The shear strain varies with depth and an average shear strain will have to be used as the effective shear angle  $\gamma_x$  or  $\gamma_y$  for purposes of defining effective shear stiffness  $D_{q_x}$  or  $D_{q_y}$ . If the experimental method is used (see appendix A), this difficulty is not encountered because, instead of a shear angle, curvatures are measured, and the stiffnesses obtained are automatically the effective stiffnesses.

Despite the general tendency of cross sections under shear to warp, the assumption that they remain plane (though not normal to the middle surface) can be shown to be almost correct for those sandwiches in which the stiffness of the core is very small compared with the stiffness of the faces (for example, Metalite, honeycomb). For such sandwiches the shear stiffnesses  $D_{q_x}$  and  $D_{q_y}$  can be readily calculated, because the faces may be assumed to take all the direct bending stress and the vertical shear may therefore be assumed uniformly distributed in the core. The shear angles  $\gamma_x$  and  $\gamma_y$  will then be constant throughout the core.

For those sandwiches in which cross sections under shear may not be assumed to remain plane, the tendency of these cross sections to warp introduces a further complication which can, however, be resolved by means of a justifiable simplifying assumption. This complication is due to the fact that if the cross-sectional warping is partially or completely prevented the effect will be to increase the shear stiffness  $D_{q_x}$  or  $D_{q_y}$ . The shear stiffnesses, thus, depend not only on the properties of the plate materials but also on the degree of restraint against cross-sectional warping. For the purpose of the present theory the shear stiffnesses  $D_{q_x}$  and  $D_{q_y}$  are assumed to be constant throughout the plate and have the values they would have if cross sections were allowed to warp freely. The error caused by this assumption will be mainly local in character, being most pronounced in the region of a concentrated lateral load, where a sudden change in the shear tends to produce a sudden change in the degree

of warping which is prevented by continuity of the plate. The error will probably be negligible in the case of distributed loads, for which there are only gradual changes in the shear. A discussion of this error in connection with beams is contained in pages 173-174 of reference 8 and in reference 9.

## DIFFERENTIAL EQUATIONS FOR PLATE

### DISTORTION EQUATIONS

Equations can be derived relating the curvatures  $\frac{\partial^2 w}{\partial x^2}$  and  $\frac{\partial^2 w}{\partial y^2}$  and the twist  $\frac{\partial^2 w}{\partial x \partial y}$  at any point in the plate to the internal shears and moments acting at that point.

Equation for the curvature  $\frac{\partial^2 w}{\partial x^2}$ .—An expression can be obtained for the total curvature  $\frac{\partial^2 w}{\partial x^2}$  in the  $x$ -direction by adding together the contributions made by each of the shears and moments acting separately. From equation (1) the curvature contributed by  $M_x$  is found to be

$$-\frac{M_x}{D_x}$$

Equations (3) and (4) can be solved for the contribution to  $\frac{\partial^2 w}{\partial x^2}$  by  $M_y$  which is

$$\mu_y \frac{M_y}{D_y}$$

Finally, the equation following equation (6) indicates that the existence of  $\frac{\partial Q_x}{\partial x}$  produces a curvature in the middle plane equal to

$$\frac{1}{D_{q_x}} \frac{\partial Q_x}{\partial x}$$

The moment  $M_{xy}$  and the shear  $Q_y$  make no contribution to  $\frac{\partial^2 w}{\partial x^2}$ . Addition of the three component curvatures gives

$$\frac{\partial^2 w}{\partial x^2} = -\frac{M_x}{D_x} + \mu_y \frac{M_y}{D_y} + \frac{1}{D_{q_x}} \frac{\partial Q_x}{\partial x} \quad (9a)$$

Equation for the curvature  $\frac{\partial^2 w}{\partial y^2}$ .—Similar considerations give the curvature in the  $y$ -direction as

$$\frac{\partial^2 w}{\partial y^2} = -\frac{M_y}{D_y} + \mu_x \frac{M_x}{D_x} + \frac{1}{D_{q_y}} \frac{\partial Q_y}{\partial y} \quad (9b)$$

Equation for the twist  $\frac{\partial^2 w}{\partial x \partial y}$ .—An expression for the twist  $\frac{\partial^2 w}{\partial x \partial y}$  is obtained by first writing an expression for the twisting moment  $M_{xy}$  in terms of the distortions of the element  $dx dy$ .

Let the middle surface of the element be distorted so that it acquires a twist  $\frac{\partial^2 w}{\partial x \partial y}$ . Further assume that each line element normal to this middle surface before its distortion (a) first rotates so as to remain normal to it after its distortion,

(b) then rotates through an angle  $\gamma_x$  in a plane parallel to the  $xz$ -plane, and (c) then rotates through an angle  $\gamma_y$  in a plane parallel to the  $yz$ -plane. (Rotations (b) and (c) produce parallelogram-type distortions of cross sections and are therefore denoted as shear angles  $\gamma_x$  and  $\gamma_y$ .)

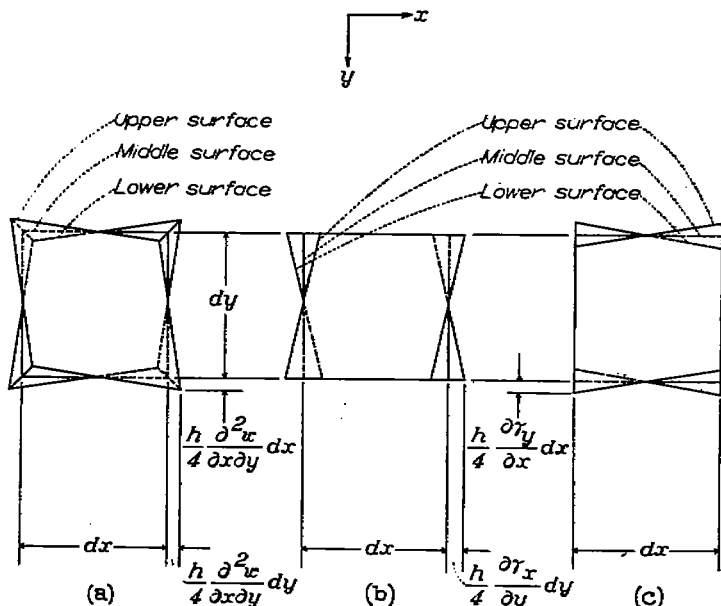
Distortion of the element as a result of rotations of type (a) is shown in figure 2 (a). Distortion of the element due to rotations of type (b) is shown in figure 2 (b) on the assumption that  $\gamma_x$  is zero at the center of the element and is changing uniformly in the  $y$ -direction. Distortion of the element due to rotation of type (c) is shown in figure 2 (c) on the assumption that  $\gamma_y$  is zero at the center of the element and changing uniformly in the  $x$ -direction. The magnitudes of the displacements shown in figure 2 are obtained by considerations of geometry, the details of which are not given.

The twisting moment  $M_{xy}$  acting on all four cross sections of the differential element is proportional to the shear strain of the upper and lower surfaces, because this type of strain, throughout the thickness of the element, produces the horizontal shearing couples that make up  $M_{xy}$ . By superposition of the three distortions shown in figure 2, the shear strain in the upper (or lower) surface can be written as

$$\left(\frac{h}{2} \frac{\partial^2 w}{\partial x \partial y} + \frac{h}{2} \frac{\partial^2 w}{\partial x \partial y}\right) - \frac{h}{2} \frac{\partial \gamma_x}{\partial y} - \frac{h}{2} \frac{\partial \gamma_y}{\partial x}$$

or

$$h \left( \frac{\partial^2 w}{\partial x \partial y} - \frac{1}{2} \frac{\partial \gamma_x}{\partial y} - \frac{1}{2} \frac{\partial \gamma_y}{\partial x} \right)$$



(a) Distortion due to  $\frac{\partial^2 w}{\partial x \partial y}$  all line elements remaining normal to middle surface. (b) Distortion due to  $\frac{\partial \gamma_x}{\partial y}$ . (c) Distortion due to  $\frac{\partial \gamma_y}{\partial x}$ .

FIGURE 2.—Distortions of element  $dx \, dy$  in twisting.

and therefore,

$$M_{xy} \propto h \left( \frac{\partial^2 w}{\partial x \partial y} - \frac{1}{2} \frac{\partial \gamma_x}{\partial y} - \frac{1}{2} \frac{\partial \gamma_y}{\partial x} \right)$$

Substitution for  $\gamma_x$  and  $\gamma_y$  in terms of  $Q_x$  and  $Q_y$  (equations (6) and (7)) gives

$$M_{xy} = h' \left( \frac{\partial^2 w}{\partial x \partial y} - \frac{1}{2} \frac{1}{D_{\alpha_x}} \frac{\partial Q_x}{\partial y} - \frac{1}{2} \frac{1}{D_{\alpha_y}} \frac{\partial Q_y}{\partial x} \right)$$

where  $h'$  is a proportionality constant absorbing  $h$ . When  $Q_x$  and  $Q_y$  are both set equal to zero, the above equation must reduce to equation (5), because only  $M_{xy}$  is acting on the differential element. The constant  $h'$  is therefore identified as  $D_{xy}$  and the equation for twisting moment becomes

$$M_{xy} = D_{xy} \left( \frac{\partial^2 w}{\partial x \partial y} - \frac{1}{2} \frac{1}{D_{\alpha_x}} \frac{\partial Q_x}{\partial y} - \frac{1}{2} \frac{1}{D_{\alpha_y}} \frac{\partial Q_y}{\partial x} \right)$$

Solution for  $\frac{\partial^2 w}{\partial x \partial y}$  yields the following equation analogous to

the equations already obtained for  $\frac{\partial^2 w}{\partial x^2}$  and  $\frac{\partial^2 w}{\partial y^2}$ :

$$\frac{\partial^2 w}{\partial x \partial y} = \frac{M_{xy}}{D_{xy}} + \frac{1}{2} \frac{1}{D_{\alpha_x}} \frac{\partial Q_x}{\partial y} + \frac{1}{2} \frac{1}{D_{\alpha_y}} \frac{\partial Q_y}{\partial x} \quad (9c)$$

EQUILIBRIUM EQUATIONS

The element  $dx \, dy$  must be in equilibrium under all the forces and moments acting upon it. This condition implies that certain relationships must exist among these forces and moments. These relationships can be derived by considering the changes that occur in the forces and moments from one face to the opposite and writing the equations of equilibrium for the element. The equations are the same as in ordinary plate theory. For equilibrium of forces in the  $x$ - and  $y$ -directions, these equations are obtained from equations (196) of reference 5:

$$\frac{\partial N_x}{\partial x} + \frac{\partial N_{xy}}{\partial y} = 0 \quad (10a)$$

$$\frac{\partial N_y}{\partial y} + \frac{\partial N_{xy}}{\partial x} = 0 \quad (10b)$$

The equation for equilibrium of vertical forces is given at the top of page 305 of reference 5 as

$$\frac{\partial^2 M_x}{\partial x^2} - 2 \frac{\partial^2 M_{xy}}{\partial x \partial y} + \frac{\partial^2 M_y}{\partial y^2} = - \left( q + N_x \frac{\partial^2 w}{\partial x^2} + N_y \frac{\partial^2 w}{\partial y^2} + 2 N_{xy} \frac{\partial^2 w}{\partial x \partial y} \right) \quad (11a)$$

And the equations for equilibrium of moments about the  $y$ - and  $x$ -axes are obtained from equations (188) and (189) of reference 5 as

$$Q_x = -\frac{\partial M_{xy}}{\partial y} + \frac{\partial M_x}{\partial x} \quad (11b)$$

$$Q_y = -\frac{\partial M_{xy}}{\partial x} + \frac{\partial M_y}{\partial y} \quad (11c)$$

(Equations (11) are also derived in appendix C by minimization of the potential energy.) Note that the left-hand side of equation (11a) can, by virtue of equations (11b) and (11c), be simplified to

$$\frac{\partial Q_x}{\partial x} + \frac{\partial Q_y}{\partial y}$$

If, as is customary in small-deflection theory, the middle-plane stresses  $N_x$ ,  $N_y$ , and  $N_{xy}$  are assumed to be unchanged in the course of the plate's deflection and equal to their initial values before application of lateral load, then equations (10) are automatically satisfied and equations (9) and (11) constitute the six fundamental differential equations that determine the forces, moments, and distortions throughout the

orthotropic plate. They can be used in their present form or in the alternate form obtained in the following section.

#### ALTERNATE FORM OF THE DIFFERENTIAL EQUATIONS

The fundamental differential equations (9) and (11) can be transformed so as to separate variables. Equations (9) are first solved for  $M_x$ ,  $M_y$ , and  $M_{xy}$  to obtain

$$M_x = -\frac{D_x}{1-\mu_x\mu_y} \left[ \frac{\partial}{\partial x} \left( \frac{\partial w}{\partial x} - \frac{Q_x}{D_{a_x}} \right) + \mu_y \frac{\partial}{\partial y} \left( \frac{\partial w}{\partial y} - \frac{Q_y}{D_{a_y}} \right) \right] \quad (12a)$$

$$M_y = -\frac{D_y}{1-\mu_x\mu_y} \left[ \frac{\partial}{\partial y} \left( \frac{\partial w}{\partial y} - \frac{Q_y}{D_{a_y}} \right) + \mu_x \frac{\partial}{\partial x} \left( \frac{\partial w}{\partial x} - \frac{Q_x}{D_{a_x}} \right) \right] \quad (12b)$$

$$M_{xy} = \frac{1}{2} D_{xy} \left[ \frac{\partial}{\partial x} \left( \frac{\partial w}{\partial y} - \frac{Q_y}{D_{a_y}} \right) + \frac{\partial}{\partial y} \left( \frac{\partial w}{\partial x} - \frac{Q_x}{D_{a_x}} \right) \right] \quad (12c)$$

With the left-hand side of equation (11a) simplified to  $\frac{\partial Q_x}{\partial x} + \frac{\partial Q_y}{\partial y}$  and the above expressions for  $M_x$ ,  $M_y$ , and  $M_{xy}$  substituted into equations (11b) and (11c), equations (11) become, after some regrouping of terms,

$$\left( N_x \frac{\partial^2}{\partial x^2} + N_y \frac{\partial^2}{\partial y^2} + 2N_{xy} \frac{\partial^2}{\partial x \partial y} \right) w + \left( \frac{\partial}{\partial x} \right) Q_x + \left( \frac{\partial}{\partial y} \right) Q_y = -q$$

$$\left[ -D_{xy} \frac{\partial^3}{\partial x \partial y^2} - \frac{D_x}{1-\mu_x\mu_y} \left( \mu_y \frac{\partial^3}{\partial x \partial y^2} + \frac{\partial^3}{\partial x^3} \right) \right] w + \left[ \frac{1}{2} \frac{D_{xy}}{D_{a_x}} \frac{\partial^2}{\partial y^2} + \frac{D_x}{(1-\mu_x\mu_y)D_{a_x}} \frac{\partial^2}{\partial x^2} - 1 \right] Q_x + \left[ \frac{1}{2} \frac{D_{xy}}{D_{a_y}} \frac{\partial^2}{\partial x \partial y} + \frac{D_x\mu_y}{(1-\mu_x\mu_y)D_{a_y}} \frac{\partial^2}{\partial x \partial y} \right] Q_y = 0$$

$$\left[ -D_{xy} \frac{\partial^3}{\partial x^2 \partial y} - \frac{D_y}{1-\mu_x\mu_y} \left( \mu_x \frac{\partial^3}{\partial x^2 \partial y} + \frac{\partial^3}{\partial y^3} \right) \right] w + \left[ \frac{1}{2} \frac{D_{xy}}{D_{a_x}} \frac{\partial^2}{\partial x \partial y} + \frac{D_y\mu_x}{(1-\mu_x\mu_y)D_{a_x}} \frac{\partial^2}{\partial x \partial y} \right] Q_x + \left[ \frac{1}{2} \frac{D_{xy}}{D_{a_y}} \frac{\partial^2}{\partial x^2} + \frac{D_y}{(1-\mu_x\mu_y)D_{a_y}} \frac{\partial^2}{\partial y^2} - 1 \right] Q_y = 0$$

These three equations can be solved to obtain a differential equation for  $w$  alone in terms of  $q$ , an equation for  $Q_x$  alone in terms of  $q$ , and an equation for  $Q_y$  alone in terms of  $q$ . This separation is accomplished most easily, for the case in which  $N_x$ ,  $N_y$ , and  $N_{xy}$  are constant throughout the plate, by treating the three differential equations as though they were algebraic equations and solving for  $w$ ,  $Q_x$ , and  $Q_y$  by means of determinants. The terms in the determinants are the differential-operator coefficients of  $w$ ,  $Q_x$ , and  $Q_y$  appearing in the three equations. In expanding these determinants, the rule for multiplication of linear operators must be used. For example,

$$\frac{\partial^2}{\partial y^2} \frac{\partial^2}{\partial x \partial y} = \frac{\partial^4}{\partial x \partial y^3}$$

As a result of such a solution, the following differential equations are obtained for  $w$ ,  $Q_x$ , and  $Q_y$ :

$$[D]w = -[M]q \quad (13a)$$

$$[D]Q_x = -[N]q \quad (13b)$$

$$[D]Q_y = -[P]q \quad (13c)$$

where  $[D]$ ,  $[M]$ ,  $[N]$ , and  $[P]$  are differential operators defined as

$$\begin{aligned}
 [D] = & \frac{1}{2} \frac{D_{xy}D_x}{D_{Q_y}} \frac{\partial^6}{\partial x^5} + \left( \frac{1}{2} \frac{D_{xy}D_x}{D_{Q_x}} + \frac{D_xD_y - \frac{1}{2}D_{xy}D_x\mu_y - \frac{1}{2}D_{xy}D_y\mu_x}{D_{Q_y}} \right) \frac{\partial^6}{\partial x^4\partial y^2} + \left( \frac{1}{2} \frac{D_{xy}D_y}{D_{Q_y}} + \frac{D_xD_y - \frac{1}{2}D_{xy}D_x\mu_y - \frac{1}{2}D_{xy}D_y\mu_x}{D_{Q_x}} \right) \frac{\partial^6}{\partial x^2\partial y^4} + \\
 & \frac{1}{2} \frac{D_{xy}D_y}{D_{Q_x}} \frac{\partial^6}{\partial y^5} - D_x \frac{\partial^4}{\partial x^4} - [2D_{xy}(1 - \mu_x\mu_y) + D_x\mu_y + D_y\mu_x] \frac{\partial^4}{\partial x^2\partial y^2} - D_y \frac{\partial^4}{\partial y^4} + \frac{1}{2} \frac{D_{xy}D_x}{D_{Q_x}D_{Q_y}} \left( N_x \frac{\partial^6}{\partial x^5} + N_y \frac{\partial^6}{\partial x^4\partial y^2} + 2N_{xy} \frac{\partial^6}{\partial x^3\partial y} \right) + \\
 & \left( \frac{D_xD_y - \frac{1}{2}D_{xy}D_x\mu_y - \frac{1}{2}D_{xy}D_y\mu_x}{D_{Q_x}D_{Q_y}} \right) \left( N_x \frac{\partial^6}{\partial x^4\partial y^2} + N_y \frac{\partial^6}{\partial x^2\partial y^4} + 2N_{xy} \frac{\partial^6}{\partial x^3\partial y^3} \right) + \frac{1}{2} \frac{D_{xy}D_y}{D_{Q_x}D_{Q_y}} \left( N_x \frac{\partial^6}{\partial x^2\partial y^4} + N_y \frac{\partial^6}{\partial y^5} + 2N_{xy} \frac{\partial^6}{\partial x\partial y^5} \right) - \\
 & \left[ \frac{1}{2} \frac{D_{xy}(1 - \mu_x\mu_y)}{D_{Q_y}} + \frac{D_x}{D_{Q_x}} \right] \left( N_x \frac{\partial^4}{\partial x^4} + N_y \frac{\partial^4}{\partial x^2\partial y^2} + 2N_{xy} \frac{\partial^4}{\partial x^3\partial y} \right) - \left[ \frac{1}{2} \frac{D_{xy}(1 - \mu_x\mu_y)}{D_{Q_x}} + \frac{D_y}{D_{Q_y}} \right] \left( N_x \frac{\partial^4}{\partial x^2\partial y^2} + N_y \frac{\partial^4}{\partial y^4} + 2N_{xy} \frac{\partial^4}{\partial x\partial y^3} \right) + \\
 & (1 - \mu_x\mu_y) \left( N_x \frac{\partial^2}{\partial x^2} + N_y \frac{\partial^2}{\partial y^2} + 2N_{xy} \frac{\partial^2}{\partial x\partial y} \right) \tag{14a}
 \end{aligned}$$

$$\begin{aligned}
 [M] = & \frac{1}{2} \frac{D_{xy}D_x}{D_{Q_x}D_{Q_y}} \frac{\partial^4}{\partial x^4} + \left( \frac{D_xD_y - \frac{1}{2}D_{xy}D_x\mu_y - \frac{1}{2}D_{xy}D_y\mu_x}{D_{Q_x}D_{Q_y}} \right) \frac{\partial^4}{\partial x^2\partial y^2} + \frac{1}{2} \frac{D_{xy}D_y}{D_{Q_x}D_{Q_y}} \frac{\partial^4}{\partial y^4} - \left[ \frac{1}{2} \frac{D_{xy}(1 - \mu_x\mu_y)}{D_{Q_x}} + \frac{D_y}{D_{Q_y}} \right] \frac{\partial^2}{\partial y^2} - \\
 & \left[ \frac{1}{2} \frac{D_{xy}(1 - \mu_x\mu_y)}{D_{Q_y}} + \frac{D_x}{D_{Q_x}} \right] \frac{\partial^2}{\partial x^2} + (1 - \mu_x\mu_y) \tag{14b}
 \end{aligned}$$

$$[N] = \frac{1}{2} \frac{D_{xy}D_x}{D_{Q_y}} \frac{\partial^5}{\partial x^5} + \left( \frac{D_xD_y - \frac{1}{2}D_{xy}D_x\mu_y - \frac{1}{2}D_{xy}D_y\mu_x}{D_{Q_y}} \right) \frac{\partial^5}{\partial x^3\partial y^2} + \frac{1}{2} \frac{D_{xy}D_y}{D_{Q_y}} \frac{\partial^5}{\partial x\partial y^4} - D_x \frac{\partial^3}{\partial x^3} - [D_{xy}(1 - \mu_x\mu_y) + D_x\mu_y] \frac{\partial^3}{\partial x\partial y^2} \tag{14c}$$

$$[P] = \frac{1}{2} \frac{D_{xy}D_x}{D_{Q_x}} \frac{\partial^5}{\partial x^4\partial y} + \left( \frac{D_xD_y - \frac{1}{2}D_{xy}D_x\mu_y - \frac{1}{2}D_{xy}D_y\mu_x}{D_{Q_x}} \right) \frac{\partial^5}{\partial x^2\partial y^3} + \frac{1}{2} \frac{D_{xy}D_y}{D_{Q_x}} \frac{\partial^5}{\partial y^5} - D_y \frac{\partial^3}{\partial y^3} - [D_{xy}(1 - \mu_x\mu_y) + D_y\mu_x] \frac{\partial^3}{\partial x^2\partial y} \tag{14d}$$

Equations (12) and (13) taken together constitute an alternate set of differential equations that the plate must satisfy.

COMPARISONS WITH PREVIOUS SOLUTIONS

Homogeneous isotropic plates, deflections due to shear neglected.—The usual fourth-order equation for homogeneous isotropic plates, in which deflections due to shear are neglected, can be obtained from equation (13a) by letting

$$\begin{aligned}
 D_{Q_x} = D_{Q_y} = \infty \\
 \mu_x = \mu_y = \mu \\
 D_x = D_y = D(1 - \mu^2) \\
 D_{xy} = D(1 - \mu)
 \end{aligned}$$

With these substitutions made, equation (13a) becomes, after some transposition of terms,

$$\frac{\partial^4 w}{\partial x^4} + 2 \frac{\partial^4 w}{\partial x^2\partial y^2} + \frac{\partial^4 w}{\partial y^4} = \frac{1}{D} \left( q + N_x \frac{\partial^2 w}{\partial x^2} + N_y \frac{\partial^2 w}{\partial y^2} + 2N_{xy} \frac{\partial^2 w}{\partial x\partial y} \right)$$

which is the same as equation (197) of reference 5.

Isotropic sandwich plates, deflections due to shear considered.—The differential equations for isotropic sandwich plates are obtained in reference 6 by use of Castigliano's theorem of least work for the case in which the middle-surface forces  $N_x$ ,  $N_y$ , and  $N_{xy}$  are zero. The equilibrium differential equations of reference 6 are equivalent to equations (11) of the present paper. Equations (10a), (10d), (10e), and (10f) of reference 6 can be solved simultaneously to obtain the following equations for the curvatures and twist in terms of the vertical shears and moments (the notation is that of reference 6):

$$\begin{aligned}
 \frac{\partial^2 w}{\partial x^2} = & -\frac{M_x}{D(1 - \nu^2)} + \frac{\nu M_y}{D(1 - \nu^2)} + \frac{1}{C_s} \frac{\partial V_x}{\partial x} - \frac{1}{C_n} \left( \frac{\partial V_x}{\partial x} + \frac{\partial V_y}{\partial y} \right) \\
 \frac{\partial^2 w}{\partial y^2} = & -\frac{M_y}{D(1 - \nu^2)} + \frac{\nu M_x}{D(1 - \nu^2)} + \frac{1}{C_s} \frac{\partial V_y}{\partial y} - \frac{1}{C_n} \left( \frac{\partial V_x}{\partial x} + \frac{\partial V_y}{\partial y} \right) \\
 \frac{\partial^2 w}{\partial x\partial y} = & -\frac{H}{D(1 - \nu)} + \frac{1}{2C_s} \left( \frac{\partial V_x}{\partial y} + \frac{\partial V_y}{\partial x} \right)
 \end{aligned}$$

The symbols  $H$ ,  $V_x$ , and  $V_y$  in the above equations correspond to  $-M_{xy}$ ,  $Q_x$ , and  $Q_y$ , respectively, in the notation of the present paper. The quantities  $D$ ,  $C_s$ ,  $C_n$ , and  $\nu$  are physical constants for the plate. The above equations are seen to be identical in form to equations (9) of the present paper (if  $D_{q_x}$  is set equal to  $D_{q_y}$  for isotropy in the  $x$ - and  $y$ -directions) except for the additional term  $\frac{1}{C_n} \left( \frac{\partial V_x}{\partial x} + \frac{\partial V_y}{\partial y} \right)$  in each curvature equation. This term arises from the consideration of stresses and strains in the vertical direction, which were neglected in the present paper on the ground that they have a negligible effect on the over-all flexural behavior of the plate and are only important in the neighborhood of concentrated loads. Setting  $C_n$  equal to infinity makes the equations derived from reference 6 completely identical in form to equations (9) of the present paper. It should be mentioned that the quantity  $w$  as used in reference 6 is not the deflection of the middle surface but "a weighted average across the thickness of the deflections of all points of the plate which lie on a normal to the middle surface."

#### BOUNDARY CONDITIONS

The boundary conditions are first discussed for those types of edge support most commonly assumed in practice: namely, complete freedom, simple support, and clamping. (More general kinds of support are considered in appendix C.) These supports are characterized by the condition that no work is done by the moments and vertical forces at the boundary. A boundary parallel to the  $y$ -axis is considered; the conditions for a boundary parallel to the  $x$ -axis can be obtained by replacing  $x$  by  $y$  and vice versa, except in the subscripts of  $M_{xy}$  and  $N_{xy}$ .

**Free edge.**—The boundary conditions for a free unloaded edge parallel to the  $y$ -axis express the conditions of zero bending moments, zero twisting moment, and zero vertical force, or

$$M_x = 0 \quad (15a)$$

$$M_{xy} = 0 \quad (15b)$$

$$Q_x = 0 \quad (15c)$$

If the free edge carries load, the middle-plane forces  $N_x$  and  $N_{xy}$  will not in general be zero and the boundary condition of zero net vertical force becomes

$$Q_x + N_x \frac{\partial w}{\partial x} + N_{xy} \frac{\partial w}{\partial y} = 0 \quad (15c')$$

instead of equation (15c).

**Simply supported edge.**—The principal boundary conditions for a simply supported edge parallel to the  $y$ -axis are  $w=0$  and  $M_x=0$ . If to these two conditions is added the restriction that there is no  $y$ -displacement of points in the boundary, then the shear angle  $\gamma_y$  is zero and therefore  $\frac{Q_y}{D_{q_y}}=0$ . If, on the other hand, the support at the boundary

is applied only to the middle surface at the boundary and no horizontal forces are applied to prevent the  $y$ -displacement of other points in the boundary, then  $M_{xy}$ , which is made up of such horizontal forces, must be zero. Two different types of simple support thus emerge. For simple support in which all points in the boundary are prevented from moving parallel to the edge, the conditions are

$$w=0 \quad (16a)$$

$$M_x=0 \quad (16b)$$

$$\frac{Q_y}{D_{q_y}}=0 \quad (16c)$$

For simple support in which all points in the boundary, except those in the middle surface, are free to move parallel to the edge, the conditions are

$$w=0 \quad (17a)$$

$$M_x=0 \quad (17b)$$

$$M_{xy}=0 \quad (17c)$$

Of the two types of simple support, the first (equations 16) is more likely to occur in practice.

**Clamped edge.**—The principal conditions characterizing a clamped edge parallel to the  $y$ -axis are zero deflection of the middle surface and zero rotation of the cross sections making up the boundary (that is, the boundary plane remains parallel to the  $z$ -axis). The requirement of zero deflection is satisfied by letting  $w=0$  at the boundary. The requirement that boundary cross sections remain parallel to the  $z$ -axis is satisfied by letting  $\frac{\partial w}{\partial x} = \frac{Q_x}{D_{q_x}}$ , as the equation following equation (6)

indicates. (Note that if deflections due to shear are neglected by letting  $D_{q_x} = \infty$ , then the last boundary condition reduces to  $\frac{\partial w}{\partial x} = 0$ , which is familiar in ordinary plate theory.) Just as in the case of simple support, the third boundary condition is either  $\frac{Q_y}{D_{q_y}} = 0$  or  $M_{xy} = 0$  depending on whether or not points in the boundary (other than those points in the middle surface) are prevented from moving parallel to the edge. Thus, two types of clamping are possible. For a clamped edge in which the points in the boundary of the plate are prevented from moving parallel to the edge, the conditions are

$$w=0 \quad (18a)$$

$$\frac{\partial w}{\partial x} - \frac{Q_x}{D_{q_x}} = 0 \quad (18b)$$

$$\frac{Q_y}{D_{q_y}} = 0 \quad (18c)$$

For a clamped edge in which the points in the boundary



(except those in the middle surface) are free to move parallel to the edge, the conditions are

$$w=0 \tag{19a}$$

$$\frac{\partial w}{\partial x} - \frac{Q_x}{D_{Q_x}} = 0 \tag{19b}$$

$$M_{xy} = 0 \tag{19c}$$

The latter type of clamping is very unlikely to occur in practice, because any practical type of restraint that keeps the boundary from rotating has to be applied over an appreciable part of the thickness of the edge and therefore prevents most points in the boundary from moving freely parallel to the edge.

The boundary conditions just discussed, as well as boundary conditions corresponding to more general types of support, are derived in appendix C by a variational method.

POTENTIAL-ENERGY EXPRESSION

STRAIN ENERGY

An expression can be obtained for the strain energy  $V_1$  produced by the moments  $M_x$ ,  $M_y$ , and  $M_{xy}$  and the shears  $Q_x$  and  $Q_y$  by considering the work done by these moments and shears in distorting the differential element of figure 1.

The work of the moments  $M_x dy$  is equal to  $\frac{1}{2} M_x dy$  times the counterclockwise rotation of the right-hand face with respect to the left-hand face of the element. This rotation is made up of two parts: the rotation caused by the moment  $M_x$  itself and the Poisson rotation caused by the moment  $M_y$ .

The sum of these two parts is  $-\left(-\frac{M_x}{D_x} + \mu_y \frac{M_y}{D_y}\right) dx$ . (Note that although the term  $\frac{\partial Q_x}{\partial x}$  makes a contribution to the curvature of the middle surface, this term represents a rate of change of sliding rather than a rate of change of rotation and therefore makes no contribution to the rotation of one face with respect to the opposite.) The work of the moments  $M_x$  is therefore

$$-\frac{1}{2} M_x dy \left(-\frac{M_x}{D_x} + \mu_y \frac{M_y}{D_y}\right) dx$$

or

$$\frac{1}{2} \left(\frac{M_x^2}{D_x} - \mu_y \frac{M_x M_y}{D_y}\right) dx dy \tag{20}$$

Similarly, the work of the moments  $M_y$  is

$$\frac{1}{2} \left(\frac{M_y^2}{D_y} - \mu_x \frac{M_x M_y}{D_x}\right) dx dy \tag{21}$$

The work of those moments  $M_{xy}$  acting in the faces parallel to the  $xz$ -plane is equal to  $\frac{1}{2} M_{xy} dx$  times the clockwise rotation of the nearer face (as seen in fig. 1) with respect to the

farther face. This rotation is made up of the two parts shown in figures 2(a) and 2(b) and is equal to

$$\frac{\partial^2 w}{\partial x \partial y} dy - \frac{\partial \gamma_x}{\partial y} dy$$

or, replacing  $\gamma_x$  by its equivalent in terms of  $Q_x$  (equation (6)),

$$\left(\frac{\partial^2 w}{\partial x \partial y} - \frac{1}{D_{Q_x}} \frac{\partial Q_x}{\partial y}\right) dy$$

The work of the moments  $M_{xy}$  parallel to the  $xz$ -plane is therefore

$$\frac{1}{2} M_{xy} \left(\frac{\partial^2 w}{\partial x \partial y} - \frac{1}{D_{Q_x}} \frac{\partial Q_x}{\partial y}\right) dx dy$$

Similarly, the work of those moments  $M_{xy}$  parallel to the  $yz$ -plane is

$$\frac{1}{2} M_{xy} \left(\frac{\partial^2 w}{\partial x \partial y} - \frac{1}{D_{Q_y}} \frac{\partial Q_y}{\partial x}\right) dx dy$$

The total work of the moments  $M_{xy}$  is, by adding the last two expressions,

$$M_{xy} \left(\frac{\partial^2 w}{\partial x \partial y} - \frac{1}{2} \frac{1}{D_{Q_x}} \frac{\partial Q_x}{\partial y} - \frac{1}{2} \frac{1}{D_{Q_y}} \frac{\partial Q_y}{\partial x}\right) dx dy$$

The factor in parentheses is simply  $\frac{M_{xy}}{D_{xy}}$ , from the equation preceding equation (9c), and the work of the moments  $M_{xy}$  therefore becomes

$$\frac{M_{xy}^2}{D_{xy}} dx dy \tag{22}$$

The work of the shears  $Q_x$  is  $\frac{1}{2} Q_x dy$  times the downward distance through which the right-hand face slides with respect to the left-hand face. This distance is  $\gamma_x dx$  and work is therefore  $\frac{1}{2} Q_x \gamma_x dx dy$ . Replacement of  $\gamma_x$  by its equivalent in terms of  $Q_x$  gives

$$\frac{1}{2} \frac{Q_x^2}{D_{Q_x}} dx dy \tag{23}$$

for the work of the shears  $Q_x$ . Similarly, the work of the shears  $Q_y$  is

$$\frac{1}{2} \frac{Q_y^2}{D_{Q_y}} dx dy \tag{24}$$

Integration of the energy expressions (20) to (24) over the entire plate gives, as the total strain energy due to bending and shear,

$$V_1 = \frac{1}{2} \iint \left[ \frac{M_x^2}{D_x} - \left(\frac{\mu_y}{D_y} + \frac{\mu_x}{D_x}\right) M_x M_y + \frac{M_y^2}{D_y} + \frac{M_{xy}^2}{D_{xy}} + \frac{Q_x^2}{D_{Q_x}} + \frac{Q_y^2}{D_{Q_y}} \right] dx dy \tag{25}$$

Elimination of  $M_x$ ,  $M_y$ , and  $M_{xy}$  by use of equations (12) transforms the strain-energy expression (25) into

$$V_1 = \frac{1}{2} \iint \left\{ \frac{D_x}{1 - \mu_x \mu_y} \left[ \frac{\partial}{\partial x} \left( \frac{\partial w}{\partial x} - \frac{Q_x}{D_{Q_x}} \right) \right]^2 + \frac{D_x \mu_y + D_y \mu_x}{1 - \mu_x \mu_y} \left[ \frac{\partial}{\partial x} \left( \frac{\partial w}{\partial x} - \frac{Q_x}{D_{Q_x}} \right) \right] \left[ \frac{\partial}{\partial y} \left( \frac{\partial w}{\partial y} - \frac{Q_y}{D_{Q_y}} \right) \right] + \frac{D_y}{1 - \mu_x \mu_y} \left[ \frac{\partial}{\partial y} \left( \frac{\partial w}{\partial y} - \frac{Q_y}{D_{Q_y}} \right) \right]^2 + \frac{D_{xy}}{2} \left[ \frac{\partial}{\partial x} \left( \frac{\partial w}{\partial y} - \frac{Q_y}{D_{Q_y}} \right) + \frac{\partial}{\partial y} \left( \frac{\partial w}{\partial x} - \frac{Q_x}{D_{Q_x}} \right) \right]^2 + \frac{Q_x^2}{D_{Q_x}} + \frac{Q_y^2}{D_{Q_y}} \right\} dx dy \quad (26)$$

In addition to the strain energy of bending and shear, there is the energy of stretching of the middle surface produced by the forces  $N_x$ ,  $N_y$ , and  $N_{xy}$ . In small-deflection theory, these forces are assumed to remain constant during lateral deflection. The strain energy of middle-surface stretching is therefore a constant independent of the lateral deflection. This energy does not affect any solution and may be omitted from consideration.

#### POTENTIAL ENERGY OF EXTERNAL FORCES

The potential energy acquired by the external forces in the course of the lateral deflection of the plate is independent of the internal construction details of the plate and depends only on the displacements of the middle surface. The potential-energy expression for the orthotropic sandwich plate is therefore the same as for the ordinary homogeneous isotropic plate; that part of the expression due to the forces  $N_x$ ,  $N_y$ , and  $N_{xy}$  at the boundaries is given by the negative of expression (201) of reference 5. If to this part is added the potential energy acquired by the lateral loads, the resulting expression for the potential energy of the external forces is

$$V_2 = \frac{1}{2} \iint \left[ -2qw + N_x \left( \frac{\partial w}{\partial x} \right)^2 + N_y \left( \frac{\partial w}{\partial y} \right)^2 + 2N_{xy} \frac{\partial w}{\partial x} \frac{\partial w}{\partial y} \right] dx dy \quad (27)$$

Equation (27) applies only when the reactions do no work and therefore acquire no potential energy in the course of the plate's deflection. The most commonly assumed boundaries satisfying this condition are free, simply supported, and clamped edges. The potential-energy expression for plates with more general boundary conditions must include terms corresponding to the work of the reaction forces. This more general case is considered in appendix C.

In this section equation (27) has been established by means of physical reasoning. A more rigorous derivation of equation (27) for the special case of a rectangular plate is given in appendix D.

#### POTENTIAL ENERGY OF SYSTEM

The total potential energy  $V$  of the system comprising the plate and the forces acting on it is the sum of the strain energy  $V_1$  and the potential energy of the external forces  $V_2$  or, by addition of equations (26) and (27),

$$V = \frac{1}{2} \iint \left\{ \frac{D_x}{1 - \mu_x \mu_y} \left[ \frac{\partial}{\partial x} \left( \frac{\partial w}{\partial x} - \frac{Q_x}{D_{Q_x}} \right) \right]^2 + \frac{D_x \mu_y + D_y \mu_x}{1 - \mu_x \mu_y} \left[ \frac{\partial}{\partial x} \left( \frac{\partial w}{\partial x} - \frac{Q_x}{D_{Q_x}} \right) \right] \left[ \frac{\partial}{\partial y} \left( \frac{\partial w}{\partial y} - \frac{Q_y}{D_{Q_y}} \right) \right] + \frac{D_y}{1 - \mu_x \mu_y} \left[ \frac{\partial}{\partial y} \left( \frac{\partial w}{\partial y} - \frac{Q_y}{D_{Q_y}} \right) \right]^2 + \frac{D_{xy}}{2} \left[ \frac{\partial}{\partial x} \left( \frac{\partial w}{\partial y} - \frac{Q_y}{D_{Q_y}} \right) + \frac{\partial}{\partial y} \left( \frac{\partial w}{\partial x} - \frac{Q_x}{D_{Q_x}} \right) \right]^2 + \frac{Q_x^2}{D_{Q_x}} + \frac{Q_y^2}{D_{Q_y}} \right\} dx dy + \frac{1}{2} \iint \left[ -2qw + N_x \left( \frac{\partial w}{\partial x} \right)^2 + N_y \left( \frac{\partial w}{\partial y} \right)^2 + 2N_{xy} \frac{\partial w}{\partial x} \frac{\partial w}{\partial y} \right] dx dy \quad (28)$$

The above expression applies when the boundary reactions do no work and therefore acquire no potential energy in the course of the plate's deflection. This equation is therefore applicable when the edges of the plate are free, simply supported, or clamped. The potential-energy expression for a plate with more general boundary conditions is given in appendix C.

RECAPITULATION OF PRINCIPAL RESULTS

1. The physical properties needed for small-deflection analysis of an orthotropic plate in which deflections due to transverse shear are to be considered are the flexural stiffnesses  $D_x$  and  $D_y$ , the corresponding Poisson ratios  $\mu_x$  and  $\mu_y$  defined in terms of curvatures, the twisting stiffness  $D_{xy}$ , and the transverse shear stiffnesses  $D_{Q_x}$  and  $D_{Q_y}$ . These constants can be evaluated theoretically or by tests on samples of the plate as described in appendix A. Four of these constants are related by the reciprocal relationship  $\mu_x D_y = \mu_y D_x$  derived in appendix B.

2. The differential equations relating the deflections  $w$ , the lateral load  $q$ , and the internal forces and moments  $N_x$ ,  $N_y$ ,  $N_{xy}$ ,  $Q_x$ ,  $Q_y$ ,  $M_x$ ,  $M_y$ , and  $M_{xy}$  are

$$\frac{\partial^2 w}{\partial x^2} = -\frac{M_x}{D_x} + \mu_y \frac{M_y}{D_y} + \frac{1}{D_{Q_x}} \frac{\partial Q_x}{\partial x}$$

$$\frac{\partial^2 w}{\partial y^2} = -\frac{M_y}{D_y} + \mu_x \frac{M_x}{D_x} + \frac{1}{D_{Q_y}} \frac{\partial Q_y}{\partial y}$$

$$\frac{\partial^2 w}{\partial x \partial y} = \frac{M_{xy}}{D_{xy}} + \frac{1}{2} \frac{1}{D_{Q_x}} \frac{\partial Q_x}{\partial y} + \frac{1}{2} \frac{1}{D_{Q_y}} \frac{\partial Q_y}{\partial x}$$

relating distortions to distorting moments and forces, and

$$\frac{\partial Q_x}{\partial x} + \frac{\partial Q_y}{\partial y} = -\left( q + N_x \frac{\partial^2 w}{\partial x^2} + N_y \frac{\partial^2 w}{\partial y^2} + 2N_{xy} \frac{\partial^2 w}{\partial x \partial y} \right)$$

$$Q_x = -\frac{\partial M_{xy}}{\partial y} + \frac{\partial M_x}{\partial x}$$

$$Q_y = -\frac{\partial M_{xy}}{\partial x} + \frac{\partial M_y}{\partial y}$$

for equilibrium.

3. The first three equations can be solved for  $M_x$ ,  $M_y$ , and  $M_{xy}$  to obtain

$$M_x = -\frac{D_x}{1 - \mu_x \mu_y} \left[ \frac{\partial}{\partial x} \left( \frac{\partial w}{\partial x} - \frac{Q_x}{D_{Q_x}} \right) + \mu_y \frac{\partial}{\partial y} \left( \frac{\partial w}{\partial y} - \frac{Q_y}{D_{Q_y}} \right) \right]$$

$$M_y = -\frac{D_y}{1 - \mu_x \mu_y} \left[ \frac{\partial}{\partial y} \left( \frac{\partial w}{\partial y} - \frac{Q_y}{D_{Q_y}} \right) + \mu_x \frac{\partial}{\partial x} \left( \frac{\partial w}{\partial x} - \frac{Q_x}{D_{Q_x}} \right) \right]$$

$$M_{xy} = \frac{1}{2} D_{xy} \left[ \frac{\partial}{\partial x} \left( \frac{\partial w}{\partial y} - \frac{Q_y}{D_{Q_y}} \right) + \frac{\partial}{\partial y} \left( \frac{\partial w}{\partial x} - \frac{Q_x}{D_{Q_x}} \right) \right]$$

Substitution of these expressions into the last three equations and solution of the resulting equations by means of operational determinants give the following differential equations with variables separated, for the case in which  $N_x$ ,  $N_y$ , and  $N_{xy}$  are constant throughout the plate:

$$[D]w = -[M]q$$

$$[D]Q_x = -[N]q$$

$$[D]Q_y = -[P]q$$

where  $[D]$ ,  $[M]$ ,  $[N]$ , and  $[P]$  are differential operators defined by equations (14).

4. Three types of support commonly assumed at the boundaries of a plate are no support (free edge), simple support, and clamping. These types of support can be described in terms of deflection, shears, and moments for an edge parallel to the  $y$ -axis as follows:

For a free edge,

$$M_x = 0$$

$$M_{xy} = 0$$

$$Q_x + N_x \frac{\partial w}{\partial x} + N_{xy} \frac{\partial w}{\partial y} = 0$$

For a simply supported edge at which the support is applied over the entire thickness,

$$w = 0$$

$$M_x = 0$$

$$\frac{Q_y}{D_{Q_y}} = 0$$

For a simply supported edge at which the support is applied only to the middle surface,

$$w = 0$$

$$M_x = 0$$

$$M_{xy} = 0$$

For a clamped edge at which the support is applied over the entire thickness,

$$w = 0$$

$$\frac{\partial w}{\partial x} - \frac{Q_x}{D_{Q_x}} = 0$$

$$\frac{Q_y}{D_{Q_y}} = 0$$

For a clamped edge at which the support is applied only to the middle surface (a type of support very unlikely to be met in practice),

$$w = 0$$

$$\frac{\partial w}{\partial x} - \frac{Q_x}{D_{Q_x}} = 0$$

$$M_{xy} = 0$$

The conditions for an edge parallel to the  $x$ -axis can be written by replacing  $x$  by  $y$  and vice versa, except in the subscripts of  $M_{xy}$  and  $N_{xy}$ .

Boundary conditions can also be written for more general types of support. (See appendix C.)

5. The potential energy of a plate in which the middle-surface forces are assumed to remain unchanged in the course of the plate's deflection and for which the moments and vertical forces at the boundaries do no work is

$$\begin{aligned}
 V = & \frac{1}{2} \iint \left\{ \frac{D_x}{1 - \mu_x \mu_y} \left[ \frac{\partial}{\partial x} \left( \frac{\partial w}{\partial x} - \frac{Q_x}{D_{Q_x}} \right) \right]^2 + \right. \\
 & \frac{D_x \mu_y + D_y \mu_x}{1 - \mu_x \mu_y} \left[ \frac{\partial}{\partial x} \left( \frac{\partial w}{\partial x} - \frac{Q_x}{D_{Q_x}} \right) \right] \left[ \frac{\partial}{\partial y} \left( \frac{\partial w}{\partial y} - \frac{Q_y}{D_{Q_y}} \right) \right] + \\
 & \frac{D_y}{1 - \mu_x \mu_y} \left[ \frac{\partial}{\partial y} \left( \frac{\partial w}{\partial y} - \frac{Q_y}{D_{Q_y}} \right) \right]^2 + \frac{D_{xy}}{2} \left[ \frac{\partial}{\partial x} \left( \frac{\partial w}{\partial y} - \frac{Q_y}{D_{Q_y}} \right) + \right. \\
 & \left. \frac{\partial}{\partial y} \left( \frac{\partial w}{\partial x} - \frac{Q_x}{D_{Q_x}} \right) \right]^2 + \frac{Q_x^2}{D_{Q_x}} + \frac{Q_y^2}{D_{Q_y}} \left. \right\} dx dy + \frac{1}{2} \iint \left[ -2qw + \right. \\
 & \left. N_x \left( \frac{\partial w}{\partial x} \right)^2 + N_y \left( \frac{\partial w}{\partial y} \right)^2 + 2N_{xy} \frac{\partial w}{\partial x} \frac{\partial w}{\partial y} \right] dx dy
 \end{aligned}$$

The most important types of boundary to which this expression applies are free, simply supported, or clamped. For more general types of support, in which the boundary reactions do work in the course of the plate's deflection, the potential-energy expression must be extended to include terms representing the potential energy of the reactions.

The calculus of variations can be used to show that in order for the potential energy to be a minimum the differential equations of equilibrium and the boundary conditions must be satisfied. (See appendix C.)

LANGLEY MEMORIAL AERONAUTICAL LABORATORY,  
 NATIONAL ADVISORY COMMITTEE FOR AERONAUTICS,  
 LANGLEY FIELD, VA., September 30, 1947.

### APPENDIX A

#### TESTS TO DETERMINE PHYSICAL CONSTANTS

The purpose of this appendix is to give descriptions of possible tests for determining the physical constants. No consideration has been given to details of testing technique. Practical considerations may dictate changes in the test procedures described or the quantities to be measured. These changes, however, will not be of fundamental importance.

**Test for  $D_x$  and  $\mu_x$ .**—The flexural stiffness  $D_x$  can be determined by cutting a beam from the plate in the  $x$ -direction and loading it as shown in figure 3. The supports and loading should be such as to make for minimum interference with the anticlastic curvature. The middle section is subjected only to a pure moment  $Pd$ ; the curvature  $\frac{\partial^2 w}{\partial x^2}$  in this part can be determined from deflection or strain-gage measurements, and the flexural stiffness is given by equation (1):

$$D_x = -\frac{M_x}{\frac{\partial^2 w}{\partial x^2}} = -\frac{Pd}{b \frac{\partial^2 w}{\partial x^2}} \quad (A1)$$

where  $b$  is the width of the beam. If the transverse curvature  $\frac{\partial^2 w}{\partial y^2}$  is measured (the beam must be wide enough to permit accurate measurement of this curvature), the Poisson ratio  $\mu_x$  can be calculated from equation (2):

$$\mu_x = -\frac{\frac{\partial^2 w}{\partial y^2}}{\frac{\partial^2 w}{\partial x^2}} \quad (A2)$$

**Test for  $D_{Q_x}$ .**—The transverse shear stiffness  $D_{Q_x}$  can be determined by loading the beam with a uniform load as shown

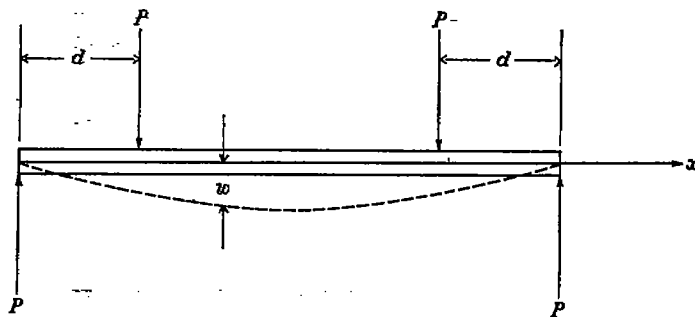


FIGURE 3.—Test to determine  $D_x$  and  $\mu_x$ .

in figure 4. The beam at any station  $x$  is subjected to a known bending moment  $M_x$  equal to  $\frac{1}{b} \left( \frac{pLx}{2} - \frac{px^2}{2} \right)$  and a rate of change of transverse shear  $\frac{\partial Q_x}{\partial x}$  equal to  $-\frac{p}{b}$ . The curvature  $\frac{\partial^2 w}{\partial x^2}$  along the beam can be determined from deflection measurements. (Strain-gage measurements on upper and lower surfaces of beam are inappropriate because curvature due to rate of change of shear is not accompanied by stretching of the surfaces.) The flexural stiffness  $D_x$  having been previously determined and the transverse moment  $M_y$  taken to be zero, equation (9a) can be solved for  $D_{Q_x}$  to obtain

$$D_{Q_x} = \frac{\frac{\partial Q_x}{\partial x}}{\frac{\partial^2 w}{\partial x^2} + \frac{M_x}{D_x}} = \frac{-\frac{p}{b}}{\frac{\partial^2 w}{\partial x^2} + \frac{1}{D_x b} \left( \frac{pLx}{2} - \frac{px^2}{2} \right)} \quad (A3)$$

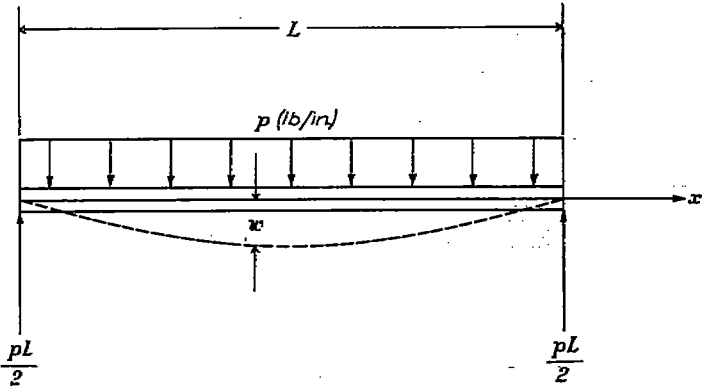


FIGURE 4.—Test to determine  $D_{Q_x}$ .

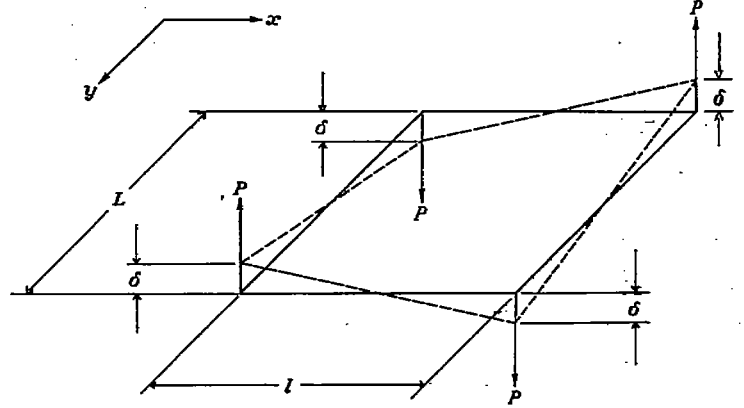


FIGURE 5.—Test to determine  $D_{xy}$ .

Tests for  $D_y$ ,  $\mu_y$ , and  $D_{Q_y}$ .—The constants  $D_y$ ,  $\mu_y$ , and  $D_{Q_y}$  can be determined by tests similar to those already described but on a beam cut in the  $y$ -direction.

Test for  $D_{xy}$ .—The twisting stiffness  $D_{xy}$  can be determined by cutting a rectangular panel from the plate, two edges parallel to the  $x$ -axis and two edges parallel to the  $y$ -axis, placing some reinforcement at the edges to keep the boundary cross sections rectangular, and loading the panel at the corners as shown in figure 5. This loading is statically equivalent to a twisting moment  $M_{xy}$  distributed around the edges and equal to  $\frac{P}{2}$ . If the edge reinforcements keep the boundary cross sections rectangular, then the shear angles  $\gamma_x$  and  $\gamma_y$  can be assumed to be zero and

the plate to be in a condition of pure twist with no  $Q_x$  or  $Q_y$  loading present. The twist  $\frac{\partial^2 w}{\partial x \partial y}$  can be calculated from the measured corner deflections as

$$\frac{\partial^2 w}{\partial x \partial y} = \frac{4\delta}{lL}$$

The stiffness  $D_{xy}$  is calculated from the formula that applies when only  $M_{xy}$  is acting, namely, equation (5):

$$D_{xy} = \frac{M_{xy}}{\frac{\partial^2 w}{\partial x \partial y}} = \frac{P/2}{4\delta/lL} = \frac{PlL}{8\delta} \quad (A4)$$

## APPENDIX B

### DERIVATION OF RELATIONSHIP $\mu_x D_y = \mu_y D_x$

Betti's reciprocal theorem (reference 10) can be expressed as follows: Let two groups of forces be applied to a structure, each group of forces producing distortions that are directly proportional to the magnitude of the forces; then, the work of the first group of forces acting through the displacements produced by the second group is equal to the work of the second group acting through the displacements produced by the first.

The structure to which this principle is applied is the element  $dx dy$  of figure 1. Let the first group of forces consist of the moments  $M_x dy$ . The distortions produced are the curvatures  $\frac{\partial^2 w}{\partial x^2}$  and  $\frac{\partial^2 w}{\partial y^2}$  where, from equations (1) and (2),

$$\frac{\partial^2 w}{\partial x^2} = -\frac{M_x}{D_x}$$

and

$$\frac{\partial^2 w}{\partial y^2} = \mu_x \frac{M_x}{D_x}$$

The second group of forces are the moments  $M_y dx$ , and the distortions produced by the group are the curvatures  $\frac{\partial^2 w}{\partial y^2}$  and  $\frac{\partial^2 w}{\partial x^2}$  where, from equations (3) and (4),

$$\frac{\partial^2 w}{\partial y^2} = -\frac{M_y}{D_y}$$

and

$$\frac{\partial^2 w}{\partial x^2} = \mu_y \frac{M_y}{D_y}$$

The work done by the first group of forces  $M_x dy$  in association with the curvature  $\mu_y \frac{M_y}{D_y}$  produced by the second group is

$$-M_x dy \left( \mu_y \frac{M_y}{D_y} dx \right)$$

or

$$-M_x M_y \frac{\mu_y}{D_y} dx dy$$

Similarly, the work done by the second group of forces  $M_y dx$  in association with the curvature  $\mu_x \frac{M_x}{D_x}$  produced by the first group is

$$-M_y dx \left( \mu_x \frac{M_x}{D_x} dy \right)$$

or

$$-M_x M_y \frac{\mu_x}{D_x} dx dy$$

Equating the expressions for the two works and eliminating the common factor  $-M_x M_y dx dy$  give

$$\frac{\mu_y}{D_y} = \frac{\mu_x}{D_x}$$

from which is obtained equation (8).

## APPENDIX C

### DERIVATION OF EQUILIBRIUM EQUATIONS AND GENERAL BOUNDARY CONDITIONS BY A VARIATIONAL METHOD

In the body of this paper only free, simply supported, and clamped edges were considered. These types of boundary conditions are characterized by the condition that the moments and vertical forces at the boundaries acquire no potential energy as a result of the plate's deflection. This condition holds by virtue of the fact that either the moments and forces at the boundaries are zero or the points of application of the nonzero boundary reactions do not move. A more general type of support, in which neither of these conditions holds, is discussed in the following section.

**Potential-energy expression.**—For simplicity a rectangular plate with edges  $x=0, a$  and  $y=0, b$  is considered. The boundary reactions of the plate consist of distributed bending moments, twisting moments, and vertical forces statically equivalent to the limits of the internal moments and shears as the boundaries are approached. The intensities of the reactions (moment or force per unit edge length) are denoted by  $\bar{M}_x, \bar{M}_{xy}$ , and  $\bar{Q}_x$  along those boundaries parallel to the  $y$ -axis and  $\bar{M}_y, \bar{M}_{xy}$ , and  $\bar{Q}_y$  along those boundaries parallel to the  $x$ -axis. (Note that the symbols used for the reactions are distinguished from the corresponding symbols for the internal forces by means of bars placed above the symbols.)

The potential energy of a plate the edges of which are other than free, simply supported, or clamped can be written by adding to equation (28) line integrals representing the potential energy of the reactions. The resulting expression is

$$\begin{aligned}
 V = & \frac{1}{2} \int_0^b \int_0^a \left\{ \frac{D_x}{1-\mu_x\mu_y} \left[ \frac{\partial}{\partial x} \left( \frac{\partial w}{\partial x} - \frac{Q_x}{D_{Q_x}} \right) \right]^2 + \frac{D_x\mu_y + D_y\mu_x}{1-\mu_x\mu_y} \left[ \frac{\partial}{\partial x} \left( \frac{\partial w}{\partial x} - \frac{Q_x}{D_{Q_x}} \right) \right] \left[ \frac{\partial}{\partial y} \left( \frac{\partial w}{\partial y} - \frac{Q_y}{D_{Q_y}} \right) \right] + \frac{D_y}{1-\mu_x\mu_y} \left[ \frac{\partial}{\partial y} \left( \frac{\partial w}{\partial y} - \frac{Q_y}{D_{Q_y}} \right) \right]^2 + \right. \\
 & \left. \frac{D_{xy}}{2} \left[ \frac{\partial}{\partial x} \left( \frac{\partial w}{\partial y} - \frac{Q_y}{D_{Q_y}} \right) + \frac{\partial}{\partial y} \left( \frac{\partial w}{\partial x} - \frac{Q_x}{D_{Q_x}} \right) \right]^2 + \frac{Q_x^2}{D_{Q_x}} + \frac{Q_y^2}{D_{Q_y}} \right\} dx dy + \frac{1}{2} \int_0^b \int_0^a \left[ -2qw + N_x \left( \frac{\partial w}{\partial x} \right)^2 + N_y \left( \frac{\partial w}{\partial y} \right)^2 + 2N_{xy} \frac{\partial w}{\partial x} \frac{\partial w}{\partial y} \right] dx dy - \\
 & \int_0^b \left[ -\bar{M}_x \left( \frac{\partial w}{\partial x} - \frac{Q_x}{D_{Q_x}} \right) + \bar{M}_{xy} \left( \frac{\partial w}{\partial y} - \frac{Q_y}{D_{Q_y}} \right) + \bar{Q}_x w \right]_0^a dy - \int_0^a \left[ -\bar{M}_y \left( \frac{\partial w}{\partial y} - \frac{Q_y}{D_{Q_y}} \right) + \bar{M}_{xy} \left( \frac{\partial w}{\partial x} - \frac{Q_x}{D_{Q_x}} \right) + \bar{Q}_y w \right]_0^b dx \quad (C1)
 \end{aligned}$$

In the last two integrals, representing the potential energy of the boundary shears and moments,  $\left( \frac{\partial w}{\partial x} - \frac{Q_x}{D_{Q_x}} \right)$  and  $\left( \frac{\partial w}{\partial y} - \frac{Q_y}{D_{Q_y}} \right)$  are the rotations parallel to the  $xz$ -plane and  $yz$ -plane, respectively, of an originally vertical line element in the edge of the plate.

**Minimization of total potential energy.**—The conditions that must be satisfied if the total potential energy  $V$  of the system is to be a minimum are now considered. By the calculus of variations (reference 11), minimization of  $V$  requires the vanishing of the first variation  $\delta V$ . The first variation can be evaluated from equation (C1) as

$$\begin{aligned}
 \delta V = & \frac{1}{2} \int_0^b \int_0^a \left\{ \frac{2D_x}{1-\mu_x\mu_y} \left[ \frac{\partial}{\partial x} \left( \frac{\partial w}{\partial x} - \frac{Q_x}{D_{Q_x}} \right) \right] \left[ \frac{\partial \delta \left( \frac{\partial w}{\partial x} - \frac{Q_x}{D_{Q_x}} \right)}{\partial x} \right] + \left( \frac{D_x\mu_y + D_y\mu_x}{1-\mu_x\mu_y} \right) \left[ \frac{\partial}{\partial x} \left( \frac{\partial w}{\partial x} - \frac{Q_x}{D_{Q_x}} \right) \right] \left[ \frac{\partial \delta \left( \frac{\partial w}{\partial y} - \frac{Q_y}{D_{Q_y}} \right)}{\partial y} \right] + \right. \\
 & \left. \left( \frac{D_x\mu_y + D_y\mu_x}{1-\mu_x\mu_y} \right) \left[ \frac{\partial}{\partial y} \left( \frac{\partial w}{\partial y} - \frac{Q_y}{D_{Q_y}} \right) \right] \left[ \frac{\partial \delta \left( \frac{\partial w}{\partial x} - \frac{Q_x}{D_{Q_x}} \right)}{\partial x} \right] + \frac{2D_y}{1-\mu_x\mu_y} \left[ \frac{\partial}{\partial y} \left( \frac{\partial w}{\partial y} - \frac{Q_y}{D_{Q_y}} \right) \right] \left[ \frac{\partial \delta \left( \frac{\partial w}{\partial y} - \frac{Q_y}{D_{Q_y}} \right)}{\partial y} \right] + \right. \\
 & \left. D_{xy} \left[ \frac{\partial}{\partial x} \left( \frac{\partial w}{\partial y} - \frac{Q_y}{D_{Q_y}} \right) + \frac{\partial}{\partial y} \left( \frac{\partial w}{\partial x} - \frac{Q_x}{D_{Q_x}} \right) \right] \left[ \frac{\partial \delta \left( \frac{\partial w}{\partial y} - \frac{Q_y}{D_{Q_y}} \right)}{\partial x} + \frac{\partial \delta \left( \frac{\partial w}{\partial x} - \frac{Q_x}{D_{Q_x}} \right)}{\partial y} \right] + \frac{2Q_x}{D_{Q_x}} \delta Q_x + \frac{2Q_y}{D_{Q_y}} \delta Q_y \right\} dx dy + \\
 & \frac{1}{2} \int_0^b \int_0^a \left[ -2q\delta w + 2N_x \frac{\partial w}{\partial x} \frac{\partial \delta w}{\partial x} + 2N_y \frac{\partial w}{\partial y} \frac{\partial \delta w}{\partial y} + 2N_{xy} \left( \frac{\partial w}{\partial x} \frac{\partial \delta w}{\partial y} + \frac{\partial w}{\partial y} \frac{\partial \delta w}{\partial x} \right) \right] dx dy - \\
 & \int_0^b \left[ -\bar{M}_x \delta \left( \frac{\partial w}{\partial x} - \frac{Q_x}{D_{Q_x}} \right) + \bar{M}_{xy} \delta \left( \frac{\partial w}{\partial y} - \frac{Q_y}{D_{Q_y}} \right) + \bar{Q}_x \delta w \right]_0^a dy - \int_0^a \left[ -\bar{M}_y \delta \left( \frac{\partial w}{\partial y} - \frac{Q_y}{D_{Q_y}} \right) + \bar{M}_{xy} \delta \left( \frac{\partial w}{\partial x} - \frac{Q_x}{D_{Q_x}} \right) + \bar{Q}_y \delta w \right]_0^b dx
 \end{aligned}$$

Those terms in the above expression that contain derivatives of  $\delta \left( \frac{\partial w}{\partial x} - \frac{Q_x}{D_{Q_x}} \right)$ ,  $\delta \left( \frac{\partial w}{\partial y} - \frac{Q_y}{D_{Q_y}} \right)$ , and  $\delta w$  can be integrated by

parts so as to reduce the order of the derivatives. The resulting expression for  $\delta V$  contains surface integrals of the type

$$\iint (\dots) \delta \left( \frac{\partial w}{\partial x} - \frac{Q_x}{D_{Q_x}} \right) dx dy$$

which can be broken up into

$$\iint (\dots) \frac{\partial \delta w}{\partial x} dx dy$$

and

$$-\iint (\dots) \delta \frac{Q_x}{D_{Q_x}} dx dy$$

The first of these two integrals can be integrated again by parts so as to leave only terms containing  $\delta w$  rather than derivatives of  $\delta w$ . With the aforementioned integrations by parts performed and after considerable rearrangement of terms, the expression for  $\delta V$  becomes

$$\begin{aligned} \delta V = & \int_0^b \int_0^a \left\{ \frac{D_x}{1-\mu_x\mu_y} \left[ \frac{\partial^3}{\partial x^3} \left( \frac{\partial w}{\partial x} - \frac{Q_x}{D_{Q_x}} \right) \right] + \frac{1}{2} \left( \frac{D_x\mu_y + D_y\mu_x}{1-\mu_x\mu_y} \right) \left[ \frac{\partial^3}{\partial x \partial y^2} \left( \frac{\partial w}{\partial x} - \frac{Q_x}{D_{Q_x}} \right) \right] + \right. \\ & \frac{1}{2} \left( \frac{D_x\mu_y + D_y\mu_x}{1-\mu_x\mu_y} \right) \left[ \frac{\partial^3}{\partial x^2 \partial y} \left( \frac{\partial w}{\partial y} - \frac{Q_y}{D_{Q_y}} \right) \right] + \frac{D_y}{1-\mu_x\mu_y} \left[ \frac{\partial^3}{\partial y^3} \left( \frac{\partial w}{\partial y} - \frac{Q_y}{D_{Q_y}} \right) \right] + \\ & \left. D_{xy} \left[ \frac{\partial^3}{\partial x^2 \partial y} \left( \frac{\partial w}{\partial y} - \frac{Q_y}{D_{Q_y}} \right) + \frac{\partial^3}{\partial x \partial y^2} \left( \frac{\partial w}{\partial x} - \frac{Q_x}{D_{Q_x}} \right) \right] - q - N_x \frac{\partial^2 w}{\partial x^2} - N_y \frac{\partial^2 w}{\partial y^2} - 2N_{xy} \frac{\partial^2 w}{\partial x \partial y} \right\} \delta w dx dy + \\ & \int_0^b \int_0^a \left\{ \frac{D_x}{1-\mu_x\mu_y} \left[ \frac{\partial^2}{\partial x^2} \left( \frac{\partial w}{\partial x} - \frac{Q_x}{D_{Q_x}} \right) \right] + \frac{1}{2} \left( \frac{D_x\mu_y + D_y\mu_x}{1-\mu_x\mu_y} \right) \left[ \frac{\partial^2}{\partial x \partial y} \left( \frac{\partial w}{\partial y} - \frac{Q_y}{D_{Q_y}} \right) \right] + \right. \\ & \left. \frac{1}{2} D_{xy} \left[ \frac{\partial^2}{\partial x \partial y} \left( \frac{\partial w}{\partial y} - \frac{Q_y}{D_{Q_y}} \right) + \frac{\partial^2}{\partial y^2} \left( \frac{\partial w}{\partial x} - \frac{Q_x}{D_{Q_x}} \right) \right] + Q_x \right\} \delta \frac{Q_x}{D_{Q_x}} dx dy + \\ & \int_0^b \int_0^a \left\{ \frac{1}{2} \left( \frac{D_x\mu_y + D_y\mu_x}{1-\mu_x\mu_y} \right) \left[ \frac{\partial^2}{\partial x \partial y} \left( \frac{\partial w}{\partial x} - \frac{Q_x}{D_{Q_x}} \right) \right] + \frac{D_y}{1-\mu_x\mu_y} \left[ \frac{\partial^2}{\partial x^2} \left( \frac{\partial w}{\partial y} - \frac{Q_y}{D_{Q_y}} \right) \right] + \right. \\ & \left. \frac{1}{2} D_{xy} \left[ \frac{\partial^2}{\partial x^2} \left( \frac{\partial w}{\partial y} - \frac{Q_y}{D_{Q_y}} \right) + \frac{\partial^2}{\partial x \partial y} \left( \frac{\partial w}{\partial x} - \frac{Q_x}{D_{Q_x}} \right) \right] + Q_y \right\} \delta \frac{Q_y}{D_{Q_y}} dx dy + \\ & \int_0^b \left\{ -\frac{D_x}{1-\mu_x\mu_y} \left[ \frac{\partial^2}{\partial x^2} \left( \frac{\partial w}{\partial x} - \frac{Q_x}{D_{Q_x}} \right) \right] - \frac{1}{2} \left( \frac{D_x\mu_y + D_y\mu_x}{1-\mu_x\mu_y} \right) \left[ \frac{\partial^2}{\partial x \partial y} \left( \frac{\partial w}{\partial y} - \frac{Q_y}{D_{Q_y}} \right) \right] - \right. \\ & \left. \frac{1}{2} D_{xy} \left[ \frac{\partial^2}{\partial x \partial y} \left( \frac{\partial w}{\partial y} - \frac{Q_y}{D_{Q_y}} \right) + \frac{\partial^2}{\partial y^2} \left( \frac{\partial w}{\partial x} - \frac{Q_x}{D_{Q_x}} \right) \right] + N_x \frac{\partial w}{\partial x} + N_{xy} \frac{\partial w}{\partial y} - \bar{Q}_x \right\} \delta w \Big|_0^a dy + \\ & \int_0^a \left\{ \frac{D_x}{1-\mu_x\mu_y} \left[ \frac{\partial}{\partial x} \left( \frac{\partial w}{\partial x} - \frac{Q_x}{D_{Q_x}} \right) \right] + \frac{1}{2} \left( \frac{D_x\mu_y + D_y\mu_x}{1-\mu_x\mu_y} \right) \left[ \frac{\partial}{\partial y} \left( \frac{\partial w}{\partial y} - \frac{Q_y}{D_{Q_y}} \right) \right] + \bar{M}_x \right\} \delta \left( \frac{\partial w}{\partial x} - \frac{Q_x}{D_{Q_x}} \right) \Big|_0^a dy + \\ & \int_0^a \left\{ \frac{1}{2} D_{xy} \left[ \frac{\partial}{\partial x} \left( \frac{\partial w}{\partial y} - \frac{Q_y}{D_{Q_y}} \right) + \frac{\partial}{\partial y} \left( \frac{\partial w}{\partial x} - \frac{Q_x}{D_{Q_x}} \right) \right] - \bar{M}_{xy} \right\} \delta \left( \frac{\partial w}{\partial y} - \frac{Q_y}{D_{Q_y}} \right) \Big|_0^a dy + \\ & \int_0^a \left\{ -\frac{1}{2} \left( \frac{D_x\mu_y + D_y\mu_x}{1-\mu_x\mu_y} \right) \left[ \frac{\partial^2}{\partial x \partial y} \left( \frac{\partial w}{\partial x} - \frac{Q_x}{D_{Q_x}} \right) \right] - \frac{D_y}{1-\mu_x\mu_y} \left[ \frac{\partial^2}{\partial y^2} \left( \frac{\partial w}{\partial y} - \frac{Q_y}{D_{Q_y}} \right) \right] - \right. \\ & \left. \frac{1}{2} D_{xy} \left[ \frac{\partial^2}{\partial x^2} \left( \frac{\partial w}{\partial y} - \frac{Q_y}{D_{Q_y}} \right) + \frac{\partial^2}{\partial x \partial y} \left( \frac{\partial w}{\partial x} - \frac{Q_x}{D_{Q_x}} \right) \right] + N_y \frac{\partial w}{\partial y} + N_{xy} \frac{\partial w}{\partial x} - \bar{Q}_y \right\} \delta w \Big|_0^b dx + \\ & \int_0^a \left\{ \frac{1}{2} \left( \frac{D_x\mu_y + D_y\mu_x}{1-\mu_x\mu_y} \right) \left[ \frac{\partial}{\partial x} \left( \frac{\partial w}{\partial x} - \frac{Q_x}{D_{Q_x}} \right) \right] + \frac{D_y}{1-\mu_x\mu_y} \left[ \frac{\partial}{\partial y} \left( \frac{\partial w}{\partial y} - \frac{Q_y}{D_{Q_y}} \right) \right] + \bar{M}_y \right\} \delta \left( \frac{\partial w}{\partial y} - \frac{Q_y}{D_{Q_y}} \right) \Big|_0^b dx + \\ & \int_0^a \left\{ \frac{1}{2} D_{xy} \left[ \frac{\partial}{\partial x} \left( \frac{\partial w}{\partial y} - \frac{Q_y}{D_{Q_y}} \right) + \frac{\partial}{\partial y} \left( \frac{\partial w}{\partial x} - \frac{Q_x}{D_{Q_x}} \right) \right] - \bar{M}_{xy} \right\} \delta \left( \frac{\partial w}{\partial x} - \frac{Q_x}{D_{Q_x}} \right) \Big|_0^b dx \end{aligned}$$

By virtue of equations (12) and (8), the above expression for  $\delta V$  can be rewritten as

$$\begin{aligned} \delta V = & \int_0^b \int_0^a \left[ -\frac{\partial^2 M_x}{\partial x^2} + 2 \frac{\partial^2 M_{xy}}{\partial x \partial y} - \frac{\partial^2 M_y}{\partial y^2} - \left( q + N_x \frac{\partial^2 w}{\partial x^2} + N_y \frac{\partial^2 w}{\partial y^2} + 2N_{xy} \frac{\partial^2 w}{\partial x \partial y} \right) \right] \delta w \, dx \, dy + \\ & \int_0^b \int_0^a \left( -\frac{\partial M_x}{\partial x} + \frac{\partial M_{xy}}{\partial y} + Q_x \right) \frac{\delta Q_x}{D_{Q_x}} \, dx \, dy + \int_0^b \int_0^a \left( -\frac{\partial M_y}{\partial y} + \frac{\partial M_{xy}}{\partial x} + Q_y \right) \frac{\delta Q_y}{D_{Q_y}} \, dx \, dy + \\ & \int_0^b \left( \frac{\partial M_x}{\partial x} - \frac{\partial M_{xy}}{\partial y} + N_x \frac{\partial w}{\partial x} + N_{xy} \frac{\partial w}{\partial y} - \bar{Q}_x \right) \delta w \Big|_0^a \, dy - \int_0^b (M_x - \bar{M}_x) \delta \left( \frac{\partial w}{\partial x} - \frac{Q_x}{D_{Q_x}} \right) \Big|_0^a \, dy + \\ & \int_0^b (M_{xy} - \bar{M}_{xy}) \delta \left( \frac{\partial w}{\partial y} - \frac{Q_y}{D_{Q_y}} \right) \Big|_0^a \, dy + \int_0^a \left( \frac{\partial M_y}{\partial y} - \frac{\partial M_{xy}}{\partial x} + N_y \frac{\partial w}{\partial y} + N_{xy} \frac{\partial w}{\partial x} - \bar{Q}_y \right) \delta w \Big|_0^b \, dx - \\ & \int_0^a (M_y - \bar{M}_y) \delta \left( \frac{\partial w}{\partial y} - \frac{Q_y}{D_{Q_y}} \right) \Big|_0^b \, dx + \int_0^a (M_{xy} - \bar{M}_{xy}) \delta \left( \frac{\partial w}{\partial x} - \frac{Q_x}{D_{Q_x}} \right) \Big|_0^b \, dx \end{aligned}$$

In order for  $\delta V$  as given by the above expression to be zero for all possible values of  $\delta w$ ,  $\delta \frac{Q_x}{D_{Q_x}}$ , and  $\delta \frac{Q_y}{D_{Q_y}}$ , the various integrals must individually be zero. The following differential equations result from equating the surface integrals to zero:

$$\left. \begin{aligned} \frac{\partial^2 M_x}{\partial x^2} - 2 \frac{\partial^2 M_{xy}}{\partial x \partial y} + \frac{\partial^2 M_y}{\partial y^2} &= - \left( q + N_x \frac{\partial^2 w}{\partial x^2} + N_y \frac{\partial^2 w}{\partial y^2} + 2N_{xy} \frac{\partial^2 w}{\partial x \partial y} \right) \\ Q_x &= -\frac{\partial M_{xy}}{\partial y} + \frac{\partial M_x}{\partial x} \\ Q_y &= -\frac{\partial M_{xy}}{\partial x} + \frac{\partial M_y}{\partial y} \end{aligned} \right\} \quad (C2)$$

By virtue of the last two of equations (C2),  $\left( \frac{\partial M_x}{\partial x} - \frac{\partial M_{xy}}{\partial y} \right)$  and  $\left( \frac{\partial M_y}{\partial y} - \frac{\partial M_{xy}}{\partial x} \right)$  in the line integrals can be replaced by  $Q_x$  and  $Q_y$ , respectively. Equating the line integrals to zero then gives the following boundary conditions required to insure that  $\delta V = 0$ :

At  $x=0, a$

$$\left. \begin{aligned} Q_x + N_x \frac{\partial w}{\partial x} + N_{xy} \frac{\partial w}{\partial y} &= \bar{Q}_x \quad \text{or} \quad \delta w = 0 \\ M_x &= \bar{M}_x \quad \text{or} \quad \delta \left( \frac{\partial w}{\partial x} - \frac{Q_x}{D_{Q_x}} \right) = 0 \\ M_{xy} &= \bar{M}_{xy} \quad \text{or} \quad \delta \left( \frac{\partial w}{\partial y} - \frac{Q_y}{D_{Q_y}} \right) = 0 \end{aligned} \right\} \quad (C3)$$

At  $y=0, b$

$$\left. \begin{aligned} Q_y + N_y \frac{\partial w}{\partial y} + N_{xy} \frac{\partial w}{\partial x} &= \bar{Q}_y \quad \text{or} \quad \delta w = 0 \\ M_y &= \bar{M}_y \quad \text{or} \quad \delta \left( \frac{\partial w}{\partial y} - \frac{Q_y}{D_{Q_y}} \right) = 0 \\ M_{xy} &= \bar{M}_{xy} \quad \text{or} \quad \delta \left( \frac{\partial w}{\partial x} - \frac{Q_x}{D_{Q_x}} \right) = 0 \end{aligned} \right\} \quad (C4)$$

Equations (C2) are the differential equations that must be satisfied if the potential energy is to be a minimum. They will be recognized as the equations of equilibrium, equations (11).

Equations (C3) and (C4) are the boundary conditions that must be satisfied if the potential energy is to be a minimum. The left-hand groups of equations (C3) and (C4) imply that the limiting values of the internal forces and moments, as the edge of the plate is approached, must be in equilibrium with certain prescribed forces and moments externally applied at the edge (the prescribed forces and moments being designated by means of the horizontal bars). The right-hand groups of equations (C3) and (C4) imply that the displacements at the edge must have certain prescribed values.

The boundary conditions given by equations (15) to (19) for free, simply supported, and clamped edges parallel to the  $y$ -axis are special cases of equations (C3). For example, the boundary conditions for a simply supported edge (equations (16)) can be obtained from equation (C3) by prescribing the values of  $w$ ,  $\bar{M}_x$ , and  $\left( \frac{\partial w}{\partial y} - \frac{Q_y}{D_{Q_y}} \right)$  to be zero at the boundaries  $x=0, a$ .



If a plate is elastically supported at the boundaries, the elastic support may sometimes be conveniently thought of as made up of three rows of closely spaced discrete springs at each edge: a row of deflectional springs, a row of rotational springs, and a row of torsional springs, having the known stiffnesses per inch  $k_1$ ,  $k_2$ , and  $k_3$ , which may vary along the edge. For this type of support the vertical shear reaction at any point along the edge is proportional to the vertical deflection at that point and the twisting and bending moment reactions are proportional to the corresponding rotations of an originally vertical line element in the edge. The boundary conditions for this type of support can be obtained from equations (C3) and (C4) by setting at  $x=0$

$$\begin{aligned}
 &\text{at } x=a & \bar{Q}_x &= k_1 w & \bar{M}_x &= -k_2 \left( \frac{\partial w}{\partial x} - \frac{Q_x}{D_{Q_x}} \right) & \bar{M}_{xy} &= k_3 \left( \frac{\partial w}{\partial y} - \frac{Q_y}{D_{Q_y}} \right) \\
 &\text{at } y=0 & \bar{Q}_x &= -k_1 w & \bar{M}_x &= k_2 \left( \frac{\partial w}{\partial x} - \frac{Q_x}{D_{Q_x}} \right) & \bar{M}_{xy} &= -k_3 \left( \frac{\partial w}{\partial y} - \frac{Q_y}{D_{Q_y}} \right) \\
 &\text{at } y=b & \bar{Q}_y &= k_1 w & \bar{M}_y &= -k_2 \left( \frac{\partial w}{\partial y} - \frac{Q_y}{D_{Q_y}} \right) & \bar{M}_{xy} &= k_3 \left( \frac{\partial w}{\partial x} - \frac{Q_x}{D_{Q_x}} \right) \\
 & & \bar{Q}_y &= -k_1 w & \bar{M}_y &= k_2 \left( \frac{\partial w}{\partial y} - \frac{Q_y}{D_{Q_y}} \right) & \bar{M}_{xy} &= -k_3 \left( \frac{\partial w}{\partial x} - \frac{Q_x}{D_{Q_x}} \right)
 \end{aligned}$$

The signs in the above boundary conditions follow as a result of the directions assumed for positive shears and moments.

### APPENDIX D

#### DERIVATION OF EQUATION (27) FOR THE POTENTIAL ENERGY OF THE EXTERNAL FORCES

A rectangular plate the edges of which are  $x=0, a$  and  $y=0, b$  is considered (fig. 6). The boundary conditions assumed are the usual conditions corresponding to zero work by the reactions; that is, each edge is either free, simply supported, or clamped.

The horizontal loads  $N_x$ ,  $N_y$ , and  $N_{xy}$  are assumed first to be applied at the boundaries with no lateral load. As a result the middle plane (and all horizontal planes) of the plate stretches; thus, the constant stretching energy discussed previously in connection with the strain energy of the plate is produced, and slight shifts in the points of application of the edge forces  $N_x$ ,  $N_y$ , and  $N_{xy}$  are caused. These new positions of the points of application are used as the arbitrary fixed reference points in any future measurements of the potential energy of the horizontal edge forces.

If the lateral load  $q$  is now applied, the middle surface acquires the displacements  $w(x, y)$  in the  $z$ -direction,  $u(x, y)$  in the  $x$ -direction, and  $v(x, y)$  in the  $y$ -direction. As a result of these displacements, the lateral load acquires the potential energy

$$- \int_0^b \int_0^a q w \, dx \, dy \tag{D1}$$

and the edge forces acquire the potential energy

$$- \int_0^b \left( N_x u \Big|_0^a + N_{xy} v \Big|_0^a \right) dy - \int_0^a \left( N_y v \Big|_0^b + N_{xy} u \Big|_0^b \right) dx \tag{D2}$$

The moments and vertical forces at the boundaries do no work and therefore acquire no potential energy during deflection.

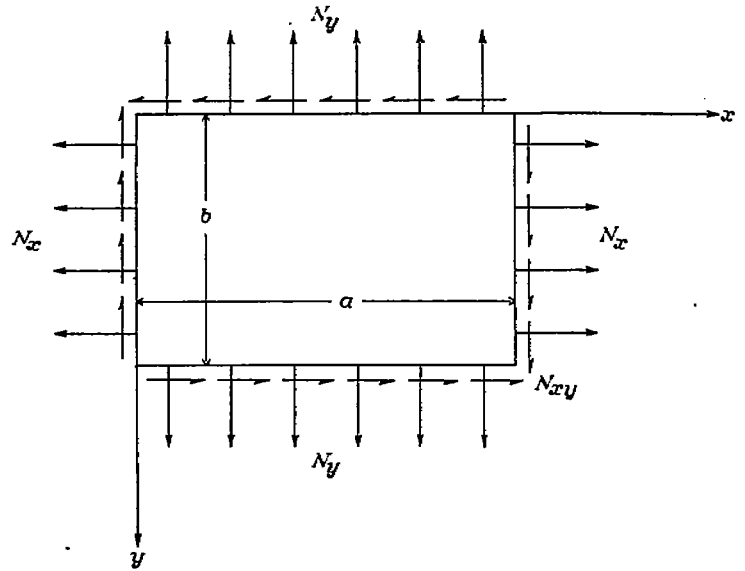


FIGURE 6.—Rectangular plate with horizontal forces applied to boundaries.

By use of the formula for integration by parts, expression (D2) for the potential energy of the edge forces can be rewritten in terms of the interior forces and displacements as

$$\begin{aligned}
 & - \int_0^b \int_0^a \left[ N_x \frac{\partial u}{\partial x} + N_y \frac{\partial v}{\partial y} + N_{xy} \left( \frac{\partial u}{\partial y} + \frac{\partial v}{\partial x} \right) \right] dx \, dy - \\
 & \int_0^b \int_0^a u \left( \frac{\partial N_x}{\partial x} + \frac{\partial N_{xy}}{\partial y} \right) dx \, dy - \\
 & \int_0^b \int_0^a v \left( \frac{\partial N_{xy}}{\partial x} + \frac{\partial N_y}{\partial y} \right) dx \, dy \tag{D3}
 \end{aligned}$$

In the development of the differential equations and in this section the middle-surface stresses  $N_x$ ,  $N_y$ , and  $N_{xy}$  are assumed to remain unchanged in the course of the plate's deflection. Equations (10) for equilibrium of horizontal force, consequently, remain satisfied at all times, and, therefore, the last two integrals of expression (D3) vanish. Furthermore, the assumption that the middle-surface stresses remain unchanged implies that no stretching of the middle surface during deflection occurs. In order to prevent such stretching the horizontal displacements  $u$  and  $v$  can be shown (p. 313, reference 5) to be related to the vertical displacements  $w$  as follows:

$$\begin{aligned}\frac{\partial u}{\partial x} &= -\frac{1}{2} \left( \frac{\partial w}{\partial x} \right)^2 \\ \frac{\partial v}{\partial y} &= -\frac{1}{2} \left( \frac{\partial w}{\partial y} \right)^2 \\ \frac{\partial u}{\partial y} + \frac{\partial v}{\partial x} &= -\frac{\partial w}{\partial x} \frac{\partial w}{\partial y}\end{aligned}$$

The first and only remaining integral of expression (D3) therefore becomes

$$\frac{1}{2} \int_0^b \int_0^a \left[ N_x \left( \frac{\partial w}{\partial x} \right)^2 + N_y \left( \frac{\partial w}{\partial y} \right)^2 + 2N_{xy} \frac{\partial w}{\partial x} \frac{\partial w}{\partial y} \right] dx dy \quad (D4)$$

Addition of expressions (D1) and (D4) gives, as the total potential energy of the external forces,

$$V_2 = \frac{1}{2} \int \int \left[ -2qw + N_x \left( \frac{\partial w}{\partial x} \right)^2 + N_y \left( \frac{\partial w}{\partial y} \right)^2 + 2N_{xy} \frac{\partial w}{\partial x} \frac{\partial w}{\partial y} \right] dx dy \quad (D5)$$

Although the derivation was carried out for the special case of a rectangular plate, equation (D5) also applies to a

plate of any shape in which the middle-surface stresses remain unchanged during deflection. Equation (D5) is identical with equation (27).

#### REFERENCES

1. Reissner, Eric: The Effect of Transverse Shear Deformation on the Bending of Elastic Plates. *Jour. Appl. Mech.*, vol. 12, no. 2, June 1945, pp. A-69—A-77.
2. March, H. W.: Buckling of Flat Plywood Plates in Compression, Shear, or Combined Compression and Shear. Mimeo. No. 1316, Forest Products Lab., U. S. Dept. Agric., April 1942.
3. March, H. W., and Smith, C. B.: Buckling Loads of Flat Sandwich Panels in Compression. Various Types of Edge Conditions. Mimeo. No. 1525, Forest Products Lab., U. S. Dept. Agric., March 1945.
4. Timoshenko, S.: *Theory of Plates and Shells*. McGraw-Hill Book Co., Inc., 1940, pp. 188—194.
5. Timoshenko, S.: *Theory of Elastic Stability*. McGraw-Hill Book Co., Inc., 1936.
6. Reissner, Eric: On Bending of Elastic Plates. *Quarterly Appl. Math.*, vol. V, no. 1, April 1947, pp. 55—68.
7. March, H. W.: Buckling Loads of Panels Having Light Corus and Dense Faces. Mimeo. No. 1504, Forest Products Lab., U.S. Dept. Agric., Feb. 1944.
8. Timoshenko, S.: *Strength of Materials. Part I—Elementary Theory and Problems*. Second ed., D. Van Nostrand Co., Inc., 1940.
9. Filon, L. N. G.: On an Approximate Solution for the Bending of a Beam of Rectangular Cross-Section under Any System of Load, with Special Reference to Points of Concentrated or Discontinuous Loading. *Phil. Trans. Roy. Soc. (London)*, ser. A, vol. 201, Aug. 1903, pp. 82—84.
10. Love, A. E. H.: *A Treatise on the Mathematical Theory of Elasticity*. Fourth ed., Dover Publications, 1944, pp. 173—174.
11. Woods, Frederick S.: *Advanced Calculus*. Ginn and Co., 1934, pp. 317—331.