

1N-93

411286

The Third EGRET Catalog of High-Energy Gamma-Ray Sources

R. C. Hartman¹, D. L. Bertsch, S. D. Bloom^{2,8}, A. W. Chen², P. Deines-Jones²,
J. A. Esposito^{3,9}, C. E. Fichtel, D. P. Friedlander⁴, S. D. Hunter, L. M. McDonald⁴,
P. Sreekumar³, D. J. Thompson

Code 661, NASA Goddard Space Flight Center, Greenbelt, MD 20771

B. B. Jones, Y. C. Lin, P. F. Michelson, P. L. Nolan, W. F. Tompkins
W.W. Hansen Experimental Physics Laboratory and Department of Physics, Stanford
University, Stanford CA 94305

G. Kanbach, H. A. Mayer-Hasselwander, A. Mücke⁵, M. Pohl⁶, O. Reimer
Max-Planck-Institut für Extraterrestrische Physik, D-85748 Garching FRG

D. A. Kniffen

Department of Physics, Hampden-Sydney College, Hampden-Sydney, VA 23943

E. J. Schneid

Northrup Grumman Corporation, Bethpage, NY 11714

C. von Montigny⁷

Landessternwarte Heidelberg, D-69117 Heidelberg FRG

R. Mukherjee

Barnard College & Columbia University, Dept. of Physics, New York NY10027

B. L. Dingus

Physics Dept., University of Utah, Salt Lake City, UT 84112

Received _____; accepted _____

Accepted for publication in the Astrophysical Journal Supplements

¹e-mail:rch@egret.gsfc.nasa.gov

²NAS-NRC Research Associate

³USRA Research Associate

⁴Raytheon STX

⁵present address:University of Adelaide, Department of Physics and Mathematical Physics; supported by the Australian Research Council

⁶present address: Danish Space Research Institute, Juliane Maries Vej 30, 2100 Copenhagen O, Denmark

⁷present address: science+computing GmbH, D-72070 Tübingen FRG

⁸present address: IPAC, JPL/Caltech, MS 100-22, Pasadena, CA 91125

⁹present address: Research and Data Systems Corp., 7501 Forbes Boulevard, Suite 104, Seabrook, MD 20706

ABSTRACT

The third catalog of high-energy gamma-ray sources detected by the EGRET telescope on the Compton Gamma Ray Observatory includes data from 1991 April 22 to 1995 October 3 (Cycles 1, 2, 3, and 4 of the mission). In addition to including more data than the second EGRET catalog (Thompson et al. 1995) and its supplement (Thompson et al. 1996), this catalog uses completely reprocessed data (to correct a number of mostly minimal errors and problems). The 271 sources ($E > 100$ MeV) in the catalog include the single 1991 solar flare bright enough to be detected as a source, the Large Magellanic Cloud, five pulsars, one probable radio galaxy detection (Cen A), and 66 high-confidence identifications of blazars (BL Lac objects, flat-spectrum radio quasars, or unidentified flat-spectrum radio sources). In addition, 27 lower-confidence potential blazar identifications are noted. Finally, the catalog contains 170 sources not yet identified firmly with known objects, although potential identifications have been suggested for a number of those. A figure is presented that gives approximate upper limits for gamma-ray sources at any point in the sky, as well as information about sources listed in the second catalog and its supplement which do not appear in this catalog.

Subject headings: gamma rays: general

1. Introduction

EGRET (Energetic Gamma Ray Experiment Telescope) is the high-energy gamma-ray telescope on the Compton Gamma Ray Observatory (CGRO). Descriptions and capabilities of the instrument are given by Hughes et al. (1980), Kanbach et al. (1988), Kanbach et al. (1989), Thompson et al. (1993a), and Esposito et al. (1998). The telescope covers the energy range from 30 MeV to over 20 GeV. EGRET records gamma-ray photons individually as electron-positron pair production events, which are processed automatically (with manual verification) to provide the arrival direction and energy of each photon. The point spread function (PSF) is energy-dependent, having a FWHM of approximately 6° at 100 MeV and smaller values at higher energies. The arrival time of each gamma ray is recorded in Universal Coordinated Time (UTC) to an accuracy of better than $100 \mu\text{s}$. The field of view of EGRET extends to more than 30° from the instrument axis, although the sensitivity at angles beyond 30° is less than 15% of the on-axis sensitivity. Because of the low flux level of the high energy gamma rays, observing periods are typically 2-3 weeks.

The first EGRET catalog (Fichtel et al. 1994) covered Cycle 1 of the Compton Gamma Ray Observatory program, which began shortly after launch of the observatory on 1991 April 5 and ended on 1992 November 17. That catalog included one solar flare, pulsars, gamma-ray bursts, a normal galaxy, active galaxies, and unidentified sources. In addition to source detections, it listed upper limits for other objects thought to be of interest. The second EGRET catalog (Thompson et al. 1995; hereafter 2EG) included, in addition to Cycle 1, Cycle 2, which ran from the end of Cycle 1 until 1993 September 7, and all of the results were reanalyzed in as consistent a manner as possible using an improved calculation of the diffuse radiation (Bertsch et al. 1993b; Hunter et al. 1997; Sreekumar et al. 1998a). A supplement (Thompson et al. 1996; hereafter 2EGS) to the 2EG catalog covered new sources detected during CGRO Cycle 3 or only in the sum of Cycles 1, 2, and

3. The approach was similar to that of 2EG, but it did not provide reanalysis of all of the 2EG sources. Lamb & Macomb (1997) have presented a catalog of EGRET sources detected above 1 GeV; some of the sources found by them are not in this catalog because they are below the > 100 MeV significance threshold.

This catalog is based upon a complete reprocessing of the data used for 2EG and 2EGS, plus the incorporation of additional data from Cycle 4. As were the earlier EGRET catalogs, this one is for sources with $E > 100$ MeV, although positions have been refined using higher-energy subsets of the data.

Section 2 of this paper begins with a brief summary of the observations and the approach to the analysis, with references to relevant papers for details. This is followed in section 3 with a description of the current catalog. It is similar in arrangement to 2EG in that the sources are listed in one table (Table 4) in order of increasing right ascension regardless of the type of source. In Section 4 there is a table showing the status of sources which appeared in 2EG and 2EGS but do not appear here. In Section 5, a figure is presented, similar to that in 2EG, for determining an approximate upper limit for an arbitrary sky position.

2. Observations and Analysis

For scheduling purposes, the Compton Gamma Ray Observatory mission has been divided into cycles corresponding to proposal cycles. Cycle 1 lasted from 1991 April, through 1992 November, and constituted the first complete survey of the high-energy gamma-ray sky. Cycle 2 covered the time interval 1992 November 17 - 1993 September 7. Cycle 3, 1993 August 17 - 1994 October 4, overlapped slightly with the end of Cycle 2, and Cycle 4 extended from 1994 October 4 to 1995 October 3. Thus this catalog covers all of

the portion of the mission in which EGRET carried out observations with its full field of view. (Since the end of Cycle 4, EGRET has been operated in a narrow-field-of-view mode, and during a decreasing fraction of time, in order to conserve spark chamber gas lifetime.)

Viewing periods (time intervals with spacecraft pointing fixed) have lasted from a few days to three weeks. Table 1 lists the start and stop dates of each viewing period and the number designation used to identify it. In most cases, the gaps between viewing periods are a few hours, the time needed to re-point and stabilize the Compton Observatory. During Cycle 2, several longer gaps represent the times used to prepare to re-boost the observatory to a higher orbit. Although there has been some coverage of all parts of the sky, the coverage has been far from uniform. Figure 1 displays the EGRET exposure for the sum of Cycles 1, 2, 3, and 4 in Galactic coordinates, in units of $\text{cm}^2 \text{ s}$.

2.1. Maximum Likelihood Application

Because of the low photon detection rate and the extent of the PSF, statistical techniques are required to analyze EGRET data. The maximum likelihood approach (Mattox et al. 1996) is used to estimate point source flux densities, source locations, and background model parameters. The likelihood statistic of binned EGRET data is the product of the probability for each pixel

$$L = \prod_{ij} p_{ij} \quad (1)$$

where

$$p_{ij} = \frac{\theta_{ij}^{n_{ij}} e^{-\theta_{ij}}}{n_{ij}!}$$

is the Poisson probability of observing n_{ij} counts in pixel ij when the number of counts predicted by the model is θ_{ij} . The likelihood ratio test is used to determine the significance of point sources. The likelihood ratio test statistic is $TS \equiv 2(\ln L_1 - \ln L_0)$, where $\ln L_1$ is

the log of the likelihood of the data if a point source is included in the model, and $\ln L_0$ is the log of the likelihood of the data without a point source. In the null hypothesis, TS is asymptotically distributed as χ_1^2 for a source at a specific position. Mattox et al. (1996) show that the corresponding significance is $\sqrt{TS}\sigma$. Monte Carlo simulation and experience with flight data indicate that these techniques provide reliable results.

2.2. Diffuse Model

The diffuse gamma radiation consists of two components, one apparently extragalactic and assumed to be isotropic, the other a Galactic component. The latter is highly peaked along the Galactic plane but dominates over the isotropic component everywhere except at the highest Galactic latitudes. The diffuse model used for the generation of this catalog is the same one used for 2EG and 2EGS. It provides a good representation to the large-scale EGRET data; however, it is not necessarily ideal for every point in the sky. For this reason, the catalog analysis for a specific point in the sky (a 15° radius about the point being considered) allows the isotropic and Galactic diffuse components to be independently scaled from their nominal values (as was the case for 2EG and 2EGS).

2.3. Source Detections

The maximum likelihood program was used to examine each of the following > 100 MeV maps:

each of 165 viewing periods;

20 maps of sums of 2 - 6 viewing periods (defined in Table 6) with similar pointing directions and close in time;

the four summed maps of Cycle 1, Cycle 2, Cycle 3, and Cycle 4;

the two summed maps of Cycles 1 + 2 and Cycles 3 + 4;

the summed map of Cycles 1 + 2 + 3 + 4.

Any excess above the diffuse model which showed a $\sqrt{TS} \geq 3$ was initially retained as a candidate source. A cross-comparison of the candidate sources was made in order to eliminate cases in which the same source was assigned different positions in different observations. From this comparison, a list of candidate sources was derived. Excesses with $\sqrt{TS} \geq 4$ ($\sqrt{TS} \geq 5$ within 10° of the Galactic plane) were retained as likely catalog sources. Unlike the processing for 2EG and 2EGS, the below-threshold excesses with $\sqrt{TS} \geq 3$ were included in the source model while optimizing the positions and fluxes for the sources in the catalog, because it is unrealistic to assume there are no sources below the catalog threshold, and the simulations described by Mattox et al. (1996) indicate that excesses with $\sqrt{TS} > 3$ are more likely to be real than statistical artifacts. One effect of including the below-threshold excesses in the model is to strengthen slightly the TS for catalog sources. Also, for sources just above the catalog threshold, the positions may be slightly affected (hopefully improved) by the inclusion of the below-threshold excesses in the processing.

The summation of the low-significance excesses is estimated to yield an average sky intensity of about $10^{-6} \text{ cm}^{-2} \text{ s}^{-1} \text{ sr}^{-1}$, an order of magnitude below the extragalactic diffuse intensity. Since these low-significance excesses are more numerous near the Galactic plane than at high latitudes, they do not represent a significant fraction of the Galactic/extragalactic diffuse intensity anywhere in the sky.

As mentioned above in the Abstract, this catalog uses EGRET data which were reprocessed (Esposito et al. 1998) to improve the calculation of instrument sensitivity as

a function of energy, and to correct several minor errors in the calculation of sensitivity. These changes do not affect the statistical significance of source detections, although they can have a small effect on the source fluxes.

2.4. Source Positions

Experience with analysis of EGRET data has shown that the (statistically) most significant detection gives the best position determination for a source. A few exceptions exist. For example, for 3EG J1200+2847, the most significant detection is in vp206, during which the source was about 31° off-axis. At such an axial angle, it is known that there are distortions that are corrected only approximately. Thus the position for 3EG J1200+2847 was derived from vp418, in which the source significance is slightly lower, but the object is only about 17° off-axis.

For each candidate source, likelihood test statistic maps were constructed for the observation (single or summed) which produced the highest \sqrt{TS} for $E > 100$ MeV. These maps used energy ranges > 100 MeV, $300 - 1000$ MeV, and > 1000 MeV. Because the EGRET PSF is narrower at higher energies, the upper energy ranges can give better source position information, but only if adequate statistics are available at those energies. For the stronger sources, the likelihood test statistic maps for the two independent energy ranges, $300 - 1000$ MeV and > 1000 MeV, were added to improve the signal. (This is not the same as producing a single test statistic map for $E > 300$ MeV.) The three or four test statistic maps were compared, and the one which produced the smallest error contours was chosen to represent the source position, as long as \sqrt{TS} was greater than 4, a level chosen to reflect a substantial degree of confidence in the detection.

Within each test statistic map, the source position can be determined in a variety of

ways. The location with the highest value of \sqrt{TS} is the single most probable position for the source. In many cases, however, a range of locations with nearly the same level of confidence can be found. Often the highest test statistic is not at the center of this region. We have chosen, therefore, to present the “best” position as the TS-weighted centroid of the region enclosed by the 95% confidence contour.

Confidence levels calculated by the likelihood mapping reflect only the statistical uncertainty in the position of a single source. Systematic uncertainties can also affect the position determination:

1. Although the model of the diffuse radiation is assumed to be a fairly accurate representation of the background against which a source is seen, it is certainly not perfectly accurate on all size scales and for all directions in the sky. (This is the main reason the isotropic and Galactic diffuse components are allowed to vary independently in the source analysis.)

2. The presence of nearby sources can change the apparent position of a source. EGRET cannot easily resolve sources within 1° of each other, and sources even 5° apart have substantial overlap of their PSFs. Sources in the catalog close to other sources must be considered to have larger positional uncertainties than the statistics alone would indicate. In many cases a below-threshold excess occurs near a catalog source. Including this excess changes the position of the catalog source, particularly if it is near the catalog threshold. As mentioned above, we have included such excesses with $\sqrt{TS} \geq 3$ during the processing, although they are not included in the catalog. Catalog sources whose positions are influenced by such excesses are noted in the catalog as possibly source-confused (“C”). This is a somewhat subjective judgement; however, for each source S in the catalog, the catalog was searched for other catalog sources within 15° , and if there was one (or more) of comparable or greater intensity nearby, the source S is marked as confused. The

definition of “nearby” depended upon the strength of the other source(s): if all of them had substantially lower intensity than source S, they were ignored; if one, or a sum of two or more, of the other sources within 5° had intensities comparable to that of source S, S was marked as confused; and if one or more of the other sources was much brighter than source S, the confusion distance was expanded beyond 5° , to as much as 15° (when the Vela pulsar was the confusing source).

Figure 2 shows sample maps of locations of four bright sources. We emphasize that these figures are likelihood test statistic contours, not intensity contours. In each case, the contours indicate the 50%, 68%, 95% and 99% statistical probability that a source lies within that contour (Mattox et al. 1996).

The preprint version of this paper, as well as the public electronic version available on the Internet, contains such location maps for all of the sources in the catalog. Most of the sources lie at Galactic latitudes less than 45° , and their error contours are shown in Galactic coordinates. For the few sources which are substantially closer to the celestial equator than to the Galactic plane, the location figures are in celestial coordinate so as to minimize distortion.

The scales of the location figures vary; brighter sources have smaller error contours. Also shown in some figures are the positions of objects which might be associated with the gamma-ray source. The only firm identifications, other than the solar flare, the Large Magellanic Cloud, and those pulsars which show gamma-ray pulsations, are radio-bright, flat-spectrum active galactic nuclei (blazars) which have been identified with EGRET sources (2EG, 2EGS, and references therein; von Montigny et al. 1995; Mattox et al. 1995; Mukherjee et al. 1997; Mattox et al. 1997a; Mattox et al. 1997b; Bloom et al. 1997a; Zook et al. 1997; Bloom et al. 1997b). In addition, we believe, based on spectral arguments, that the nearby radio galaxy Cen A is associated with one of the catalog sources (see note below

on 3EG J1324-4314).

The 95% contour has been chosen as representative of the EGRET statistical source uncertainties. The error radius quoted in the catalog is the angular radius of a circular cone (rather than elliptical, as in 2EG and 2EGS) which contains the same solid angle as the 95% contour. Mattox (in preparation) provides parameters for elliptical fits to the 95% contours. For lower-significance sources, the 95% contour can be extremely irregular, or even not closed. In those cases, the error circle radius listed is $1.62\times$ the radius of the 68% contour, and an asterisk follows the value in the table. The 1.62 multiplier is derived from eqn. 7 of Mattox et al. (1997a).

For some sources, even ones that are fairly strong statistically, the center of the circle based on the 95% contour is far from the center of, or even outside, the 50% contour. We take this as indicating a possible extended or multiple source, and insert the mark “em” in the “Notes” column of the catalog tables. This is to a large extent a subjective evaluation.

As noted above, systematic uncertainties make these contours somewhat optimistic estimates of the EGRET source location capability. We have devised no quantitative way to depict the effect of these systematics on the error contours. Table 2 summarizes some relevant information about sources along the Galactic plane whose positions are known well: the pulsars and the bright solar flare of 1991 June 11. The table shows the offset of the measured position from the true position and where the true position falls with respect to the confidence contours. The true positions often lie in the outer regions of the error contours, with the Vela pulsar position outside the 99% contour (although as the brightest source and most significant detection, the Vela pulsar has the smallest error contours). We have determined that this effect in bright sources can be reduced by using map bins smaller than the standard 0.5° . This increases the computation time greatly; since all of the most significant sources are identified with objects whose positions are well known, the smaller

bin size was not utilized for this work.

These results indicate that the systematics do not pose a major problem for the source location capability even in these regions of significant diffuse emission or strong nearby sources. The error contours for many of the active galactic nuclei show that the location capability improves for regions away from the Galactic plane. Table 3 shows offsets from the true positions for a number of the AGN identified in the EGRET data. A tabulation of the strong AGN identifications indicates that only about 47% of them lie within their 68% contours.

2.5. Catalog Construction

Once the best position for each candidate source was determined, a new analysis of each viewing period or summed map was made, calculating the \sqrt{TS} and the flux or upper limit at the fixed position. In each case, a simultaneous analysis of all the sources in the list was done, including the lower significance excesses ($\sqrt{TS} \geq 3$) as described above, to obtain a flux or upper limit for each source in each observation. With three exceptions, the > 100 MeV flux was generated assuming a photon power law with a spectral index of 2.0 ($\sim E^{-2.0}$) for estimation of the source PSF. For the three brightest sources (pulsars), the measured power law was used because of possible effects on nearby sources (Vela: 1.7; Geminga: 1.5; Crab: 2.1).

Two independent determinations were made of the spectra of the catalog sources based on P1234 maps for the 10 standard EGRET energy ranges. The few significant differences were resolved, then one of the two sets of indices was entered into the catalog.¹⁰ Many

¹⁰The two spectral analyses used the same software and general analysis approach, but were carried out by different people. Discrepancies were due to differences in details of the

sources in the catalog are too weak to yield reliable spectra or spectral indices; for those only a note to that effect occurs in the catalog. Spectral plots are included in the on-line version of the catalog for those sources having an index entry in the catalog. For those sources whose most significant detection was not P1234, better spectra and spectral indices could be obtained for those more-significant observations.

The intense and highly structured diffuse emission along the Galactic plane makes sources within about $|b| < 10^\circ$ more subject to systematic uncertainties than those at higher latitudes. For this reason, we have adopted the same policy used in the earlier EGRET catalog of including in the catalog sources with at least one detection with $\sqrt{TS} \geq 4$ for $|b| > 10^\circ$, but demanding at least one detection with $\sqrt{TS} \geq 5$ for $|b| < 10^\circ$. The exact choice of the TS level and the latitude for the transition from one level to the other is somewhat arbitrary: the influence of the Galactic diffuse radiation does not show an abrupt change.

3. Catalog Description

The entries in the catalog (Table 4) are given in order of increasing Right Ascension of the EGRET position. For each source, multiple entries are given; the first entry is the one from which the source position was derived. In almost all cases, this is the detection with the highest statistical significance. Other entries in the table give the results for the summed maps for Cycle 1 (denoted P1), Cycle 2 (P2), Cycle 3 (P3), Cycle 4 (P4), Cycles 1 + 2 (P12), Cycles 3 + 4 (P34), Cycles 1 + 2 + 3 + 4 (P1234), and for all viewing periods meeting the following criteria: (1) the source was within 30° of the EGRET pointing

analysis; in particular, in confused regions, the likelihood analysis results seem to depend on the order in which sources (in a map containing many sources) are optimized.

direction; and (2) the exposure was large enough to derive a meaningful flux or upper limit. (There are two exceptions to the 30° cutoff: (a) the highest-significance detection of 3EG J1200+2847 was in viewing period 206.0, in which the source was 31° from the axis, and (b) viewing periods 403.0, 403.5, 411.1, and 411.5 were carried out with EGRET in narrow field-of-view mode, so a cutoff of 19° from the pointing direction was used) Also presented are results for sums of 2 - 6 individual viewing periods close in time and with nearly identical pointing directions. For each observation (or sum of observations) with $\sqrt{TS} \geq 2$, the excess is presented as a flux with its uncertainty. (Note that for the 2nd EGRET catalog, $\sqrt{TS} \geq 3$ was used.) For $\sqrt{TS} < 2$, the result is presented as a 95% confidence upper limit, derived as described in section 3.2 of Mattox et al. (1996). Each analysis of a viewing period (or sum of viewing periods) was carried out independently; therefore, the sum of counts from individual viewing periods for a specific source does not necessarily match closely the counts from a summed map.

To limit the length of the catalog, upper limits with little or no significance are deleted. First, if the maximum flux detected from a source is F , upper limits above $F + \Delta F$ are deleted. Second, where two or more short viewing periods have been added together, upper limits for the individual viewing periods have been deleted if they are greater than $F + \Delta F$ (or the upper limit) for the summed interval.

The flux uncertainties and upper limits shown are statistical only. For all except the brightest sources or those in confused regions, the statistical uncertainty is larger than any systematic uncertainties. Systematic effects include the uncertainty in the calibration (Thompson et al. 1993a; Esposito et al. 1998) as a function of energy and angle within the instrument, and the gradual change in operating performance of EGRET as the spark chamber gas ages. A first order correction to this latter effect has been included. At this time, we recommend that a residual uncertainty of 10% should be attached to any flux

value, in addition to the statistical uncertainty. Sources in confused regions may also have significant uncertainties due to the overlapping PSFs. The fluxes for such sources should not be considered independent of each other, particularly in searching for time variability.

The catalog is Table 4, in which the columns are:

Name – based on the J2000 coordinates for the best position of the source, following the IAU naming convention (PASP 102, 1231). It should be emphasized that measured positions are not as precise as the name might suggest;

RA and Dec – the J2000 coordinates measured by EGRET, in degrees;

l and b – the Galactic coordinates measured by EGRET;

θ_{95} – the radius, in degrees, of the circle containing the same solid angle as the 95% confidence contour. (Asterisk * denotes that the value was obtained by multiplying the 68% radius by 1.62. This was necessary in cases of unclosed or extremely irregular 95% contours.);

F – For observations (or sums of observations) with $\sqrt{TS} \geq 2$, the flux ($E > 100$ MeV) in 10^{-8} photon $\text{cm}^{-2} \text{s}^{-1}$; for $\sqrt{TS} < 2$, the 95% confidence upper limit (in the same units). The flux F for most sources was determined assuming a photon spectral index of 2. If the spectral index γ (see below) differs substantially from 2.0, some additional error should be assumed for the flux F. An approximate flux density at 400 MeV ($\sim 10^{23}$ Hz), in units of picoJy, can be obtained by multiplying the value of F shown by 1.7. The fractional uncertainty in the flux density is $\Delta F/F$. The approximations used in deriving the factor 1.7 are discussed in 2EGS;

ΔF – the 1σ statistical uncertainty in the flux. Additional systematic error of roughly 10% should be added in quadrature (important only for very strong detections);

γ - the photon spectral index in $F(E) \sim E^{-\gamma}$. The $1-\sigma$ error of the index is in the second line. The spectral index is derived from the P1234 sum, which in many cases is not the most significant detection. In a few sources, the index and error entries are blank, which means that the P1234 sum does not give a sufficiently strong detection to produce a useful spectrum;

Counts - the number of > 100 MeV photons represented by the flux or upper limit. The fractional uncertainty in the photon count is the same as that in F , $\Delta F/F$;

\sqrt{TS} - the statistical significance of the > 100 MeV detection. It is approximately equal to the statistical σ for a single measurement at a fixed position;

VP - the viewing period of the specific catalog line. P1234 represents the sum of Cycles 1, 2, 3, and 4, etc.; 0.2+ is the sum of viewing periods 0.2 - 0.5, all of which covered roughly the same region of the sky during the verification phase of the mission. Entries ending in "+" are for sums of 2 - 6 viewing periods, defined in Table 6;

ID - P=pulsar (indicates detection of pulsed gamma radiation); G=galaxy (LMC only); S=solar flare; A=active galactic nucleus; a=possible active galactic nucleus - This identification is questionable, either because the object has low radio flux density (< 300 mJy) or because it lies outside the 95% uncertainty contour, sometimes even outside the 99% contour (but within the position determination map). Note that this is similar to the notation used in 2EG and 2EGS (albeit looser than the definition of "marginal" used in 2EG and 2EGS), but different from that used in the first EGRET catalog (Fichtel et al. 1994), which distinguished identifications by their statistical significance;

Other names - the source name from 2EG or 2EGS (or the first catalog, Fichtel et al. (1994), if not included in 2EG or 2EGS), or other gamma-ray references. In some cases, the source position has moved from that given in earlier references. For identified sources, the

name/names of the identified object is/are given in this column. Possible identifications are followed by “?”.

Notes - @=see note in text; E=extended source (applies only to the Large Magellanic Cloud); em=possibly extended source or multiple sources (based on source location maps inconsistent with a single point source or poor fit to the calibrated PSF, from the observation or sum of observations presented in the first entry for the source); C=source confusion may affect flux, significance, or position. (Below-threshold excesses are considered in assigning this symbol, so some weak sources may be designated as confused despite having no other catalog sources nearby, e.g., in Figure 4.) Sources with no entry (other than @) in this column are consistent with the EGRET PSF for a single source;

References - previous references to the source identification; in many cases, only the most recent reference(s) are shown;

z - redshift (AGNs only).

In many instances, redundant entries for a source are omitted from Table 4. For example, if only one viewing period contained a specific source during Cycle 1, P1 is omitted from the listing for that source; all of the available information is contained in the listing for the viewing period. Similarly, if a specific source was in the field of view several times during Cycle 3, but was not observed during Cycle 4, there is no listing for the sum of Cycles 3 and 4 (denoted as P34 in the table).

It is apparent that a larger fraction of the sources in this catalog are noted as being potentially confused than in 2EG and 2EGS. This is not only because the catalog contains substantially more sources than 2EG and 2EGS, but also because for weak sources we have considered the below-threshold excesses as confusing.

4. Second Catalog Sources Not in the Third Catalog

As a result of the re-analysis of the data, a number of the sources which appeared in 2EG and 2EGS do not appear in this catalog. These sources are scattered throughout the sky. In most cases, the sources from 2EG and 2EGS which were affected enough by the re-analysis to be dropped from the third catalog had statistical significances which changed from just above the catalog threshold to just below it. These “lost” sources are listed in Table 6, showing the \sqrt{TS} in 2EG/2EGS and the maximum \sqrt{TS} found for the source in the current analysis. One marginal AGN identification listed in 2EG (1317+520) was dropped in this manner. In all cases, excesses are still seen, but with significance below the threshold for the current catalog.

5. Upper Limits for Sources not Detected

Instead of providing upper limits for specific sources, upper limits have been calculated for a $1^\circ \times 1^\circ$ grid on the sky. The result is shown in Figure 3, where the upper limit is a 95% confidence limit in units of photons (> 100 MeV) $\text{cm}^{-2} \text{s}^{-1}$. For comparison with this figure, the faintest source in the catalog with a significance $\sqrt{TS} \geq 4$ has a flux of $(6.2 \pm 1.7) 10^{-8} \text{ cm}^{-2} \text{ s}^{-1}$.

The sources in this catalog must be considered in the upper limit estimate. As noted above, EGRET cannot easily resolve sources within 1° of each other, and the PSF of EGRET is large enough to influence sources several degrees away. For this reason, upper limits near identified catalog sources may be underestimated. (On the other hand, an unidentified source nearby could actually be the object in question, in which case the upper limit from Figure 4 would be meaningless.) Therefore the regions around catalog sources are blanked out in Figure 4. For any object within a blanked region, it is recommended

that the source flux itself be taken as a conservative upper limit.

6. Transient Sources

3EG J1837-0423 is a transient Galactic plane source (Tavani et al. 1997). It appears in this catalog because it was above the catalog threshold in Viewing Period 423.0.

GRO J1125-6005 is a transient source identified with Cen X-3 by Vestrand et al. (1997). Its $\sqrt{TS} = 4.7$ in this analysis is below the catalog threshold for a low-latitude source. However, discovery of pulsation at the Cen X-3 spin period with 3σ significance provides considerably greater confidence for this identification.

Among the EGRET-detected blazars, there is ample evidence for transient behavior and extreme variability, by as much as a factor of 100 in flux (Mattox et al. 1997b). Less dramatic variation is seen in many of the EGRET-detected blazars, including some of the relatively weak ones which have been detected only once.

Thompson et al. (1997) have searched for transient sources in the Galactic anticenter, but have found no strong evidence for such. Bloom et al. (1997c) have searched for previously unknown transient sources at high latitudes, but have also found none (although some previously unknown instances of variability in known sources were found). The search for previously unknown Galactic plane transients is continuing (Thompson, private communication).

7. Notes on Individual Sources

3EG J0010+7309 - suggested (Lamb & Macomb 1997) as possibly associated with the SNR CTA 1. Brazier et al. (1998) have suggested that this source might be a Geminga-like

pulsar associated with CTA 1.

3EG J0222+4253 - Verbunt et al. (1997), Kuiper et al. (1998), and Hermsen et al. (1998) have shown indications from EGRET data for pulsed gamma-ray emission between 100 and 1000 MeV from PSR 0218+42, which is 1° from 3C 66A, and 1° from the catalog position. Those authors conclude that the data are consistent with the pulsar being the counterpart below 1 GeV (based on timing and spatial analysis) and 3C 66A above 1 GeV (spatial analysis). The analysis done for this catalog (> 100 MeV) found only one source near this position. The catalog position given is based on the > 1 GeV map, which gives the smallest error contours; the contours of that map agree well with the position of the BL Lac object 3C 66A. The 100 – 300 MeV map, however, seems to exclude 3C 66A, and gives $TS=0$ at its position. The 100 – 300 MeV map is consistent with all of the flux in that energy range coming from the pulsar. The spectral index (2.01) given in the catalog assumes only one source; if there are actually two, the 3C 66A spectrum will be substantially harder and the PSR 0218+42 spectrum will be correspondingly softer.

3EG J0530-3626 - considered a strong identification with 0521-365 in 2EG. However, the position in this catalog, based on a much stronger detection in Cycle 4, is well outside the 99% confidence contour.

3EG J0542+2610 - suggested (Sturmer & Dermer 1995) as possibly associated with the SNR G180.0-1.7 (S147).

3EG J0617+2238 - suggested (Sturmer & Dermer 1995; Esposito et al. 1996) as possibly associated with the SNR G189.1+3.0 (IC 443).

3EG J0628+1847 - Since this source is only 1.6° from the very bright Geminga pulsar, it could conceivably be an artifact resulting from imperfections in the PSF.

3EG J0631+0642 - suggested (Sturmer & Dermer 1995; Esposito et al. 1996) as possibly

associated with SNR G205.5+0.5 (Monoceros).

3EG J0824-4610 - suggested (Sturmer & Dermer 1995) as possibly associated with the SNR G263.9-3.3 (Vela).

3EG J0827-4247 - close to SNR G260.4-3.4 (Puppis A), suggested (Esposito et al. 1996) as a possible source of high energy gamma radiation.

3EG J0834-4511 - The identification of this source, the brightest in the sky on average, is not in doubt, because essentially all of the gamma radiation is pulsed at the frequency of PSR 0833-45. The large discrepancy between the position contours and the true position of the pulsar is due to the 0.5° binning of the standard maps, compared with the 0.25° size of the position map. A similar but less dramatic effect is seen in the Geminga pulsar. This effect is not apparent for the Crab pulsar because its steeper spectrum makes the position determination less accurate. Also, the apparent large time variation of the period-averaged flux suggested by the individual observations is not supported by careful analysis of the data (Ramanamurthy et al. 1995; Kniffen, private communication).

3EG J0841-4356 - Since this source is only 1.7° from the very bright Vela pulsar, it could conceivably be an artifact resulting from imperfections in the PSF.

3EG J1102-6103 - suggested (Sturmer & Dermer 1995) as possibly associated with the SNR G291.0-0.1 (MSH 11-62).

3EG J1222+2841 - BL Lac object 1219+295 = W Comae = ON +231 is well outside the 99% confidence contour. However, the identification with this object is considered strong based on the position found for $E > 1$ GeV by Lamb & Macomb (1997).

3EG J1324-4314 - good position agreement with Cen A, the nearest and brightest radio galaxy. Although this is the only candidate detection of a close radio galaxy by EGRET, we believe the identification is robust, since the spectrum of this source agrees well with the

extension of the OSSE/COMPTEL spectrum (Sreekumar et al. 1998b; Sreekumar et al. 1999). That spectrum, in turn, connects well with the spectrum at lower X-ray energies, for which the Cen A identification is clear.

3EG J1410-6147 - suggested (Sturmer & Dermer 1995) as possibly associated with the SNR G312.4-0.4 .

3EG J1627-2419 - Although the gas in Rho Ophiuchus is included in the background model, the scale of the variations is much smaller than the pixel size in the EGRET maps. This may lead to apparent sources.

3EG J1638-5155 - Roughly identified with 2EG J1648-5042; however, because of the appearance in this catalog of three nearby sources, as well as two below-threshold excesses, the position shown here is almost 2° away from the 2EG position. The suggestion by Mattox et al. (1997) of identification with radio source MRC 1646-506 = PMN J1650-5044 appears much less convincing with the new position.

3EG J1800-2338 - suggested (Sturmer & Dermer 1995; Esposito et al. 1996) as possibly associated with the SNR G006.6-0.1 (W28).

3EG J1823-1314 - suggested (Sturmer & Dermer 1995) as possibly associated with the SNR G018.8+0.3 (Kes 67).

3EG J1856+0114 - suggested (Sturmer & Dermer 1995; Esposito et al. 1996) as possibly associated with the SNR G034.7-0.4 (W44). De Jager & Mastichiadis (1997) have developed a model for the presumed high-energy gamma-ray emission from W44.

3EG J1903+0550 - suggested (Sturmer & Dermer 1995) as possibly associated with the SNR G040.5-0.5 .

3EG J2020+4017 - suggested (Sturmer & Dermer 1995; Esposito et al. 1996) as possibly

associated with the SNR G078.2+2.1 (γ Cygni).

3EG J2035+4441 - close to SNR W63, suggested (Esposito et al. 1996) as a possible source of high energy gamma radiation.

8. Discussion

In regions of the sky where two or more sources have overlapping PSFs, it is often difficult to resolve the number of sources and their locations. This analysis is made more difficult by time-varying sources and nearby sources with different energy spectra. The catalog entries in such regions (i.e., the sources marked "C") cannot, therefore, be considered unique solutions. (See 2EG for an example.)

The \sqrt{TS} values in the catalog represent the statistical significance for a single source at the given position. Because a large number of observations are included in the catalog (165 individual viewing periods and 27 summed maps), the number of trial positions is large. Following the method of Mattox et al. (1996), we estimate that the number of high-latitude sources ($|b| > 10^\circ$) in this catalog that are statistical artifacts is between 11 and 21. Thus high-latitude sources near the catalog threshold, especially those with indications of confused or extended emission, should be treated with considerable caution.

There should be essentially no statistical artifacts among the low-latitude sources. Systematics may lead to some artifacts, but we do not know how to estimate the number of such. Presumably, sources near the $\sqrt{TS} = 5$ threshold are suspect, but defects in the diffuse background map could produce apparent sources considerably more significant.

It is known that the EGRET PSF used in this work is not perfect, first because of statistical limitations of the calibration data, and second, because it assumes a single power law for all energies above 100 MeV. (There is work in progress to derive a better PSF from

in-flight data, but it was not yet available for use here.) It has been shown by modeling (Willis, private communication) that this might lead to artifacts near extremely bright sources such as the three bright pulsars Crab, Geminga, and (especially) Vela. Two sources very near the Vela and Geminga pulsars are included in the catalog. Despite the fact that we have done several crosschecks that appear to confirm the reality of the nearby weaker sources, they should be treated with extreme skepticism. In the catalog, those sources are marked with a special note.

Many of the high latitude sources, especially the blazars, are strongly time-variable. The pulsars show no strong time variability (Ramanamurthy et al. 1995). Some unidentified Galactic sources appear to be time variable (McLaughlin et al. 1996); a few (but not all) should be blazars seen through the Galactic disk. Other Galactic sources may be pulsars, either unpulsed emission from radio pulsars or radio-quiet pulsars like Geminga; see Thompson et al. (1994), Romani & Yadigaroglu (1995), and Kaaret & Cottam (1996) for discussions) or supernova remnants (Sturmer & Dermer 1995; Esposito et al. 1996). Some of the steady high-latitude sources could be nearby pulsars (e.g. Mukherjee et al. 1995a). As was true for the first EGRET catalog (Fichtel et al. 1994) as well as 2EG and 2EGS, the unidentified sources show no counterparts at other wavelengths which lead to clear identifications. The identification of new classes of astrophysical objects capable of producing such high-energy nonthermal radiation remains a topic of great interest.

9. Summary

This third EGRET catalog contains 271 sources. Their locations are shown in Figure 5 in Galactic coordinates; the size of the symbol represents the highest flux seen for the source. The 80 sources with $|b| < 10^\circ$ consist of five pulsars, one solar flare (bright enough to be detected in the maps as a source), and 74 unidentified sources. The 181 sources

with $|b| > 10^\circ$ include the LMC, 66 high-confidence identifications with blazars, one likely detection of a radio galaxy (Cen A), 27 sources which may be AGN, and 96 unidentified sources.

Fourteen sources reported in 2EG and 2EGS do not appear in this catalog because their statistical significance is below the catalog threshold in this analysis. One of these was marginally identified with an AGN in 2EG.

The presence of a high fraction of unidentified sources in the catalog indicates the need for continuing studies, not only with EGRET and future gamma-ray missions, but across the electromagnetic spectrum, in order to find counterparts capable of producing this high-energy radiation.

10. On-Line Catalog Information

The catalog tables are available by anonymous ftp from <ftp://gamma.gsfc.nasa.gov/pub/cat3/>. The format is plain ASCII. The figures, including the full set of source location maps, are also available, in PostScript format, at the same location. The map of upper limits for any point in the sky is available there in FITS and PostScript formats. For those sources whose spectral index appears in the catalog, spectral plots are included in PostScript form, as well as FITS files containing the information in the spectral plots.

Most or all of the information listed above is also available through the Web pages of the CGRO Science Support Center (COSSC), <http://coss.gsfc.nasa.gov/coss/egret/egretform.html>, where there are also some simple sorting and analysis tools.

The list of below-threshold excesses will not be distributed publicly, but can be

obtained for appropriate applications by contacting the first author.

The EGRET team gratefully acknowledges support from the following: Bundesministerium fur Forschung und Technologie, Grant 50 QV 9095 (MPE authors); NASA Grant NAG5-1742 (HSC); NASA Grant NAG5-1605 (SU); NASA Contract NAS5-31210 (GAC); and NASA Grant NAG 5-3696 (BC/CU). This work has made extensive use of the NASA/IPAC Extragalactic Database (NED) which is operated by the Jet Propulsion Laboratory, California Institute of Technology, under contract with the National Aeronautics and Space Administration.

REFERENCES

- Bertsch, D.L., Dame, T.M., Fichtel, C.E., Hunter, S.D., Sreekumar, P., Stacy, J.G., & Thaddeus, P. 1993b, *ApJ*, 416, 587
- Bloom, S.D., Hartman, R.C., Terasranta, H., Tornikoski, M., & Valtaoja, E. 1997a, *ApJ*, 488, L23
- Bloom, S.D., et al. 1997b, *ApJ*, 490, L145
- Bloom, S.D., Thompson, D.J., Hartman, R.C., von Montigny, C. 1997c, Proc. 4th Compton Symp., ed. C.D. Dermer, M.S. Strickman, & J.D. Kurfess, AIP Conf. Proc. 410, 1262
- Brazier, K.T.S., Reimer, O., Kanbach, G., & Carramiñana, A. 1998, *MNRAS*, 295, 819
- Catanese, M., et al. 1997, *ApJ*, 480, 562
- de Jager, O.C., & Mastichiadis, A. 1997, *ApJ*, 484, 874
- Esposito, J.A., et al. 1996, *ApJ*, 461, 820
- Esposito, J.A., et al. 1998, *ApJ*, submitted
- Fichtel, C.E., et al. 1994, *ApJS*, 94, 551
- Halpern, J.P., & Eracleous, M. 1997, IAU Circular No. 6639
- Hermesen, W., Kuiper, L., Verbunt, T, and Belloni, T. 1998, Proc. COSPAR, Nagoya, Adv. Sp. Res. (submitted)
- Hughes, E.B., et al. 1980, *IEEE Trans. Nucl.Sci.*, NS-27, 364
- Hunter, S.D., et al. 1997, *ApJ*, 481, 205
- Kaaret, P., & Cottam, J. 1996, *ApJ*, 462, L35

- Kanbach, G. 1988, *Space Science Reviews*, 49, 69
- Kanbach, G. 1989, in *Gamma Ray Observatory Science Workshop Proc.*, ed. W.N. Johnson, NASA Goddard Space Flight Center 2-1
- Kuiper, L., Hermsen, W., Verbunt, F., Belloni, T., and Lyne, A. 1998, in *Proc. 3rd INTEGRAL Workshop "The Extreme Universe"*, Taormina
- Lamb, R.C., & Macomb, D.J. 1997, *ApJ*, 488, 872
- Mattox, J.R., et al. 1995, *IAU Circular No.* 6161
- Mattox, J.R., et al. 1996, *ApJ*, 461, 396
- Mattox, J.R., et al. 1997a, *ApJ*, 481, 95
- Mattox, J.R., et al. 1997b, *ApJ*, 476, 692
- McGlynn, T., et al. 1996, *ApJ*, 481, 625
- McLaughlin, M.A., Mattox, J.R., Cordes, J.M., & Thompson, D.J. 1996, *ApJ*, 473, 763
- Mukherjee, R., et al. 1995a, *ApJ*, 441, L61
- Mukherjee, R., et al. 1995b, *ApJ*, 445, 189
- Mukherjee, R., et al. 1997, *ApJ*, 490, 116
- Nolan, P.L., et al. 1996, *ApJ*, 459, 100
- Ramanamurthy, P.V., et al. 1995, *ApJ*, 481, 205
- Romani, R.W. & Yadigaroglu, I.-A. 1995, *ApJ*, 438, 314
- Sreekumar, P., et al. 1998a, *ApJ*, 494, 523

- Sreekumar, P., et al. 1998b, AAS Meeting 191, paper 48.02
- Sreekumar, P., Bertsch, D. L., Hartman, R. C., Nolan, P. L., & Thompson, D. J. 1999, *Astroparticle Physics* (to be published)
- Sturmer, S.J. & Dermer, C.D. 1995, *A&A*, 293, L17
- Tavani, M., et al. 1997, *ApJ*, 479, L109
- Tavani, M., et al. 1998, *ApJ*, 497, L89
- Thompson, D.J., et al. 1993a, *ApJS*, 86, 629
- Thompson, D. J., et al. 1994, *ApJ*, 436, 229
- Thompson, D.J., et al. 1995, *ApJS*, 101, 259 (2EG)
- Thompson, D.J., et al. 1996, *ApJS*, 107, 227 (2EGS)
- Thompson, D. J., Bloom, S.D., Esposito, J.A., Kniffen, D.A., von Montigny, C. 1997, *Proc. 4th Compton Symp.*, ed. C.D. Dermer, M.S. Strickman, & J.D. Kurfess, AIP Conf. Proc. 410, 1257
- Verbunt, F., Kuiper, L., Belloni, T., Johnston, H., de Bruyn, A. G., Hermsen, W., and van der Klis, M., 1996, *A&A*, 311, 9
- Vestrand, W.T., Stacy, J.G., & Sreekumar, P. 1995, *ApJ*, 454, L93
- Vestrand, W.T., Sreekumar, P., & Mori, M. 1997, *ApJ*, 483, L49
- von Montigny, C.V., et al. 1995, *ApJ*, 440, 525
- Zook, A.C., et al. 1997, *AJ*, 114, 1121

11. Figure Captions

Fig. 1.— EGRET sky exposure in units of $10^8 \text{ cm}^2 \text{ s}$ ($> 100 \text{ MeV}$) for the sum of Compton Gamma Ray Observatory Cycles 1, 2, 3, and 4 (1991 April 20 - 1995 October 3). The contours are spaced at intervals of 2×10^8 .

Fig. 2.— Location maps for four bright sources in this catalog. The contours represent 50%, 68%, 95%, and 99% statistical probability that a single source lies within the given contour. A cross marks the location of objects either identified with or possibly related to the gamma-ray source.

Fig. 3.— Map showing approximate upper limits for sources at (almost) any position in the sky, in units of $10^{-8} \text{ photons } (> 100 \text{ MeV}) \text{ cm}^{-2} \text{ s}^{-1}$, based on the summed exposure of Cycles 1, 2, 3, and 4, and accounting for the effect of diffuse emission as well as possible sources below the catalog threshold. Within 1° of catalog sources the map is black, indicating that this technique is not useful in those small regions.

Fig. 4.— The third EGRET source catalog, shown in Galactic coordinates. The size of the symbol represents the highest intensity seen for this source by EGRET.

TABLE 1
EGRET Viewing Periods

VP	start	end	l	b
0.2	1991 Apr 22	1991 Apr 28	186.02	-3.28
0.3	1991 Apr 28	1991 May 01	193.39	-4.25
0.4	1991 May 01	1991 May 04	193.39	-4.28
0.5	1991 May 04	1991 May 07	184.50	-5.87
0.6	1991 May 07	1991 May 10	150.00	53.00
0.7	1991 May 10	1991 May 16	266.32	0.74
1.0	1991 May 16	1991 May 30	190.92	-4.74
2.0	1991 May 30	1991 Jun 08	73.28	2.56
2.1	1991 Jun 08	1991 Jun 15	194.86	-7.29
3.0	1991 Jun 15	1991 Jun 28	299.76	65.46
4.0	1991 Jun 28	1991 Jul 12	156.18	72.08
5.0	1991 Jul 12	1991 Jul 26	0.00	-4.00
6.0	1991 Jul 26	1991 Aug 08	278.00	-29.32
7.1	1991 Aug 08	1991 Aug 15	70.44	-8.30
7.2	1991 Aug 15	1991 Aug 22	25.00	-14.00
8.0	1991 Aug 22	1991 Sep 05	262.94	-5.67
9.1	1991 Sep 05	1991 Sep 12	338.94	-83.50
9.2	1991 Sep 12	1991 Sep 19	59.67	40.28
10.0	1991 Sep 19	1991 Oct 03	287.85	-54.31
11.0	1991 Oct 03	1991 Oct 17	294.25	63.67
12.0	1991 Oct 17	1991 Oct 31	310.71	22.21
13.1	1991 Oct 31	1991 Nov 07	25.00	-14.00
13.2	1991 Nov 07	1991 Nov 14	338.94	-83.50
14.0	1991 Nov 14	1991 Nov 28	285.04	-0.74
15.0	1991 Nov 28	1991 Dec 12	152.63	-13.44
16.0	1991 Dec 12	1991 Dec 27	0.00	20.29
17.0	1992 Dec 27	1992 Jan 10	283.21	-31.62
18.0	1992 Jan 10	1992 Jan 23	137.47	40.49
19.0	1992 Jan 23	1992 Feb 06	58.15	-43.00
20.0	1992 Feb 06	1992 Feb 20	39.70	0.76
21.0	1992 Feb 20	1992 Mar 05	171.52	-53.90
22.0	1992 Mar 05	1992 Mar 19	112.47	44.46
23.0	1992 Mar 19	1992 Apr 02	322.14	3.01
24.0	1992 Apr 02	1992 Apr 09	9.53	57.15
24.5	1992 Apr 09	1992 Apr 16	9.53	57.15
25.0	1992 Apr 16	1992 Apr 23	6.84	48.09
26.0	1992 Apr 23	1992 Apr 28	108.77	-41.43
27.0	1992 Apr 28	1992 May 07	332.24	2.52
28.0	1992 May 07	1992 May 14	108.77	-41.43
29.0	1992 May 14	1992 Jun 04	224.00	-40.00
30.0	1992 Jun 04	1992 Jun 11	252.41	30.66
31.0	1992 Jun 11	1992 Jun 25	163.09	11.92
32.0	1992 Jun 25	1992 Jul 02	284.20	22.89
33.0	1992 Jul 02	1992 Jul 16	252.41	30.66
34.0	1992 Jul 16	1992 Aug 06	108.75	-2.37
35.0	1992 Aug 06	1992 Aug 10	335.10	-25.56
36.0	1992 Aug 11	1992 Aug 12	169.84	-11.35
36.5	1992 Aug 12	1992 Aug 20	168.17	-9.46
37.0	1992 Aug 20	1992 Aug 27	104.83	-42.06
38.0	1992 Aug 27	1992 Sep 01	335.10	-25.56
39.0	1992 Sep 01	1992 Sep 17	167.18	-9.18
40.0	1992 Sep 17	1992 Oct 08	195.90	44.71
41.0	1992 Oct 08	1992 Oct 15	228.02	2.84
42.0	1992 Oct 15	1992 Oct 29	359.98	-44.59
43.0	1992 Oct 29	1992 Nov 03	31.13	-28.33
44.0	1992 Nov 03	1992 Nov 17	228.02	2.84

TABLE 1 cont.
EGRET Viewing Periods

VP	start	end	l	b
201.0	1992 Nov 17	1992 Nov 24	66.79	39.28
202.0	1992 Nov 24	1992 Dec 01	70.85	40.50
203.0	1992 Dec 01	1992 Dec 22	77.85	0.69
204.0	1992 Dec 22	1992 Dec 29	294.70	61.88
205.0	1992 Dec 29	1993 Jan 05	294.46	61.58
206.0	1993 Jan 05	1993 Jan 12	294.70	61.88
207.0	1993 Jan 12	1993 Feb 02	314.06	31.51
208.0	1993 Feb 02	1993 Feb 09	307.39	20.75
209.0	1993 Feb 09	1993 Feb 22	0.24	-34.01
210.0	1993 Feb 22	1993 Feb 25	355.62	6.28
211.0	1993 Feb 25	1993 Mar 09	125.86	-4.70
212.0	1993 Mar 09	1993 Mar 23	83.74	11.67
213.0	1993 Mar 23	1993 Mar 29	182.63	-8.22
214.0	1993 Mar 29	1993 Apr 01	355.62	6.28
215.0	1993 Apr 01	1993 Apr 06	311.66	22.89
216.0	1993 Apr 06	1993 Apr 12	140.75	38.11
217.0	1993 Apr 12	1993 Apr 20	311.66	22.89
218.0	1993 Apr 20	1993 May 03	151.41	71.26
219.0	1993 May 05	1993 May 06	350.10	15.86
220.0	1993 May 08	1993 May 13	298.09	-44.63
221.0	1993 May 13	1993 May 24	187.52	-5.88
222.0	1993 May 24	1993 May 31	157.79	70.63
223.0	1993 May 31	1993 Jun 03	359.14	-0.09
224.0	1993 Jun 03	1993 Jun 14	298.09	-44.63
226.0	1993 Jun 19	1993 Jun 29	355.00	5.00
227.0	1993 Jun 29	1993 Jul 13	148.11	41.22
228.0	1993 Jul 13	1993 Jul 27	149.86	42.69
230.0	1993 Jul 27	1993 Jul 30	276.66	-2.27
230.5	1993 Jul 30	1993 Aug 03	278.79	1.44
231.0	1993 Aug 03	1993 Aug 10	22.22	-13.08
229.0	1993 Aug 10	1993 Aug 11	5.00	5.00
229.5	1993 Aug 12	1993 Aug 17	5.00	5.00
301.0	1993 Aug 17	1993 Aug 24	263.59	-2.74
232.0	1993 Aug 24	1993 Sep 07	347.50	0.00
302.0	1993 Sep 07	1993 Sep 09	89.13	7.82
302.3	1993 Sep 09	1993 Sep 21	1.41	9.26
303.0	1993 Sep 21	1993 Sep 22	277.21	12.83
303.2	1993 Sep 22	1993 Oct 01	89.13	7.82
303.4	1993 Oct 01	1993 Oct 04	64.33	25.27
303.7	1993 Oct 17	1993 Oct 19	89.13	7.82
304.0	1993 Oct 19	1993 Oct 25	278.20	66.70
305.0	1993 Oct 25	1993 Nov 02	277.71	62.70
306.0	1993 Nov 02	1993 Nov 09	277.60	58.70
307.0	1993 Nov 09	1993 Nov 16	268.69	69.24
308.0	1993 Nov 16	1993 Nov 19	283.22	74.65
308.6	1993 Nov 23	1993 Dec 01	283.22	74.65
310.0	1993 Dec 01	1993 Dec 13	195.14	4.27
311.0	1993 Dec 13	1993 Dec 15	283.70	74.50
311.6	1993 Dec 17	1993 Dec 20	283.70	74.50
312.0	1993 Dec 20	1993 Dec 27	280.50	70.70
313.0	1993 Dec 27	1994 Jan 03	289.30	78.70
314.0	1994 Jan 03	1994 Jan 16	304.18	-0.99
315.0	1994 Jan 16	1994 Jan 23	304.18	-0.99
316.0	1994 Jan 23	1994 Feb 01	309.52	19.42
318.1	1994 Feb 01	1994 Feb 08	68.44	-0.38
321.1	1994 Feb 08	1994 Feb 15	181.44	-2.64

TABLE 1 cont.
EGRET Viewing Periods

VP	start	end	l	b
321.5	1994 Feb 15	1994 Feb 17	181.44	-2.64
317.0	1994 Feb 17	1994 Mar 01	158.48	-45.38
319.0	1994 Mar 01	1994 Mar 08	143.99	28.02
320.0	1994 Mar 08	1994 Mar 15	83.09	-45.47
319.5	1994 Mar 15	1994 Mar 22	146.42	26.02
323.0	1994 Mar 22	1994 Apr 05	356.84	-11.29
322.0	1994 Apr 05	1994 Apr 19	197.01	58.62
324.0	1994 Apr 19	1994 Apr 26	15.03	5.63
325.0	1994 Apr 26	1994 May 10	147.04	-9.04
326.0	1994 May 10	1994 May 17	195.92	58.31
327.0	1994 May 17	1994 May 24	82.86	-49.56
328.0	1994 May 24	1994 May 31	64.87	-0.03
329.0	1994 May 31	1994 Jun 07	253.40	-42.00
331.0	1994 Jun 07	1994 Jun 10	64.87	-0.03
330.0	1994 Jun 10	1994 Jun 14	18.00	0.00
331.5	1994 Jun 14	1994 Jun 18	64.87	-0.03
332.0	1994 Jun 18	1994 Jul 05	18.00	0.00
333.0	1994 Jul 05	1994 Jul 12	64.87	-0.03
335.0	1994 Jul 12	1994 Jul 18	253.40	-42.00
334.0	1994 Jul 18	1994 Jul 25	9.01	-8.38
335.5	1994 Jul 25	1994 Aug 01	253.40	-42.00
336.0	1994 Aug 01	1994 Aug 04	88.37	-46.83
336.5	1994 Aug 04	1994 Aug 09	340.43	2.86
337.0	1994 Aug 09	1994 Aug 29	205.00	-13.00
338.5	1994 Aug 31	1994 Sep 20	263.59	-2.74
339.0	1994 Sep 20	1994 Oct 04	4.05	40.40
401.0	1994 Oct 04	1994 Oct 18	113.90	6.22
402.0	1994 Oct 18	1994 Oct 25	310.28	-4.99
402.5	1994 Oct 25	1994 Nov 01	306.73	-3.78

TABLE 1 cont.
EGRET Viewing Periods

VP	start	end	l	b
403.0	1994 Nov 01	1994 Nov 09	58.15	37.52
403.5	1994 Nov 09	1994 Nov 15	206.81	35.82
404.0	1994 Nov 15	1994 Nov 29	7.23	-73.43
405.0	1994 Nov 29	1994 Dec 07	306.67	56.54
406.0	1994 Dec 13	1994 Dec 20	336.33	67.23
407.0	1994 Dec 20	1995 Jan 03	334.33	62.98
408.0	1995 Jan 03	1995 Jan 10	305.11	57.06
409.0	1995 Jan 10	1995 Jan 24	274.68	-39.17
410.0	1995 Jan 24	1995 Feb 14	82.19	-32.57
411.1	1995 Feb 14	1995 Feb 21	145.10	23.85
411.5	1995 Feb 21	1995 Feb 28	143.30	22.72
412.0	1995 Feb 28	1995 Mar 07	185.34	0.67
413.0	1995 Mar 07	1995 Mar 21	191.77	-3.35
419.1	1995 Apr 04	1995 Apr 11	207.35	-19.05
415.0	1995 Apr 11	1995 Apr 25	275.72	-24.01
418.0	1995 Apr 25	1995 May 09	158.08	65.84
419.5	1995 May 09	1995 May 23	211.86	-17.56
420.0	1995 May 23	1995 Jun 06	198.21	-18.26
421.0	1995 Jun 06	1995 Jun 13	355.33	0.38
422.0	1995 Jun 13	1995 Jun 20	355.41	-0.37
423.0	1995 Jun 20	1995 Jun 30	2.59	-0.21
423.5	1995 Jun 30	1995 Jul 10	345.74	13.45
424.0	1995 Jul 10	1995 Jul 25	312.67	19.04
425.0	1995 Jul 25	1995 Aug 08	137.35	-47.31
426.0	1995 Aug 08	1995 Aug 22	184.50	-5.87
427.0	1995 Aug 22	1995 Sep 07	153.75	-9.99
428.0	1995 Sep 07	1995 Sep 20	270.59	-82.47
429.0	1995 Sep 20	1995 Sep 27	18.34	3.98

TABLE 2
SOURCE LOCATION ACCURACY FOR IDENTIFIED SOURCES NEAR
THE GALACTIC PLANE

Source	Offset(degrees)	Nearest Error Contour
Solar Flare	0.39	68%
Crab Pulsar	0.06	95%
Geminga Pulsar	0.08	>99%
Vela Pulsar	0.08	>99%
PSR B1055-52	0.17	95%
PSR B1706-44	0.20	>99%

TABLE 3
SOURCE LOCATION ACCURACY FOR SELECTED AGN

Source	Offset(degrees)	Nearest Error Contour
0208-512	0.11	95%
0528+134	0.15	68%
1406-076	0.23	95%
1633+382	0.12	68%
Mkn 421	0.06	50%
3C273	0.12	50%
3C279	0.07	95%
3C454.3	0.13	50%

TABLE 4—Continued

Name	RA	^h Dec	l	b	θ_{95}	F	ΔF	γ	Counts	\sqrt{TS}	VP	ID	Other Name	Note	Ref	z		
3EG J0237+1635	39.36	16.59	156.46	-39.28	0.37	30.8	8.4		153	3.9	P12							
						42.8	9.1		178	5.2	P34							
						65.1	8.8	1.85	138	10.0	21.0	A	2EG J0238+1657	C	a,d,e	0.940		
						26.5		± 0.12	34	1.6	15.0		GEV J0237+1648					
						12.0	4.6		30	3.1	317.0		0235+164					
						24.5		<	22	1.2	425.0							
						61.2		<	13	0.9	427.0							
						41.9	6.2		142	8.7	P1							
						25.8		<	28	1.7	P4							
						11.6	4.0		41	3.5	P34							
3EG J0239+2815	39.99	28.26	150.21	-28.80	0.47	25.9	3.7		180	8.9	P1234							
						13.8	2.6	2.53	125	6.3	P1234	a	2EG J0239+2818		a,d	1.213		
						16.2	4.8	± 0.22	49	4.1	15.0		0234+285?					
						31.4	11.6		24	3.4	21.0		(4C+28.07)					
						29.7	13.9		12	3.0	36.+							
						33.5		<	21	1.5	39.0							
						15.2	6.4		24	2.8	317.0							
						23.4		<	35	1.8	325.0							
						38.3		<	23	1.3	427.0							
						15.3	3.6		74	5.3	P1							
3EG J0241+6103	40.41	61.07	135.87	0.99	0.18	10.9	4.4		34	2.9	P3							
						16.2	8.2		19	2.3	P4							
						11.7	3.9		50	3.5	P34							
						69.3	6.1	2.21	700	13.1	P1234		2EG J0241+6118	@	a,f			
						86.0	15.0	± 0.07	161	6.8	15.0		GEV J0241+6102	C				
						68.9	21.2		53	3.8	31.0		LSI +61°303?					
						70.5	23.0		49	3.5	34.0							
						97.7	13.2		235	8.9	211.0							
						94.6	31.4		40	3.6	319.0							
						57.2	30.1		22	2.1	319.5							
3EG J0245+1758	41.36	17.97	157.62	-37.11	0.66*	75.7	21.8		61	4.0	319.+							
						25.0	11.9		54	2.3	325.0							
						51.2	24.1		32	2.4	401.0							
						96.7	25.2		60	4.6	427.0							
						79.1	10.5		264	8.9	P1							
						37.4	10.6		111	3.9	P3							
						68.2	16.6		95	4.7	P4							
						84.0	8.2		482	12.0	P12							
						46.4	8.9		202	5.8	P34							
						16.9	4.7	2.61	72	4.2	P1							
3EG J0245+1758	41.36	17.97	157.62	-37.11	0.66*	21.1		± 0.44	33	1.3	15.0							
						25.9	8.0		49	3.8	21.0							
						32.0		<	14	0.0	39.0							
						8.3		<	19	0.0	317.0							
						22.8	12.9		14	2.1	325.0							
						19.8		<	16	0.0	425.0							
						9.6		<	28	0.4	P3							
						15.5		<	16	0.0	P4							

TABLE 4—Continued

Name	RA	'Dec	l	b	θ_{95}	F	ΔF	γ	Counts	\sqrt{TS}	VP	ID	Other Name	Note	Ref	z
3EG J0253-0345	43.49	-3.76	179.70	-52.56	1.13	7.5	2.9		<	30	0.3	P34				
						8.8	5.7		<	73	3.4	P1234				
						17.3		—	<	28	4.0	317.0				
						4.2		—	<	16	0.0	21.0				
						12.5	4.7		<	25	3.3	P34				
3EG J0323+5122	50.90	51.37	145.64	-4.67	0.55	6.2	5.1	2.38	<	35	1.0	P1234	2EG J0323+5126	C	a	
						24.6	6.5	± 0.41	<	157	5.5	P1				
						25.1			<	91	4.4	15.0				
						32.6			<	43	1.1	31.0				
						33.1	18.6		<	18	2.0	36.+				
						32.2	14.6		<	28	2.6	39.0				
						34.2			<	55	1.3	211.0				
						13.3			<	40	0.0	325.0				
						19.7			<	22	0.0	427.0				
						20.6	4.5		<	164	5.1	P12				
3EG J0329+2149	52.41	21.82	164.90	-27.88	0.49*	10.4	3.3		<	44	0.0	P34				
						9.7	5.0	2.61	<	119	3.1	P1234				
						17.2		± 0.33	<	47	4.2	P3				em
						19.2			<	13	0.0	.2+				
						15.4			<	37	0.9	15.0				
						13.1			<	14	0.0	21.0				
						19.9			<	15	0.0	36.+				
						16.0			<	17	0.0	39.0				
						29.1	16.8		<	9	2.4	321.1				
						31.6			<	3	0.0	321.5				
3EG J0340-0201	55.04	-2.02	188.40	-42.47	0.52	42.3			<	17	1.5	321.+				
						17.1	7.2		<	24	2.9	317.0				
						16.3	8.3		<	16	2.4	325.0				
						32.2			<	9	0.6	425.0				
						24.8			<	13	0.2	427.0				
						6.8			<	38	0.1	P1				
						21.2			<	19	0.7	P4				
						13.2	4.1		<	48	3.8	P34				
						7.4	2.5		<	69	3.2	P1234				
						118.8	22.0	1.84	<	51	8.6	419.+	A	0336-019		e.g
3EG J0348+3510	57.03	35.18	159.06	-15.01	0.74	16.9		± 0.25	<	41	1.7	21.0		CTA 026		
						15.3			<	13	0.0	29.0				
						13.2	7.6		<	14	2.0	317.0				
						177.6	36.6		<	37	8.2	419.1				
						47.4	15.3		<	23	4.3	420.0				
						11.4			<	36	1.0	P1				
						86.3	16.0		<	60	8.3	P4				
						37.7	7.5		<	65	6.7	P34				
						15.1	3.5		<	74	5.1	P1234				
						11.5	2.6	2.16	<	156	5.0	P1234				em
19.7		± 0.27	<	17	0.1	.2+				C						
14.5			<	61	1.5	15.0										
28.8			<	29	1.0	31.0										

TABLE 4—Continued

Name	RA	Dec	l	b	θ_{95}	F	ΔF	γ	Counts	\sqrt{TS}	VP	ID	Other Name	Note	Ref	z
						17.7	9.5		21	2.1	36.+					
						<			<	0.5	39.0					
						62.5	30.0		15	2.6	213.0					
						<			<	1.4	221.0					
						90.3			6	0.0	321.5					
						<			<	1.3	321.+					
						44.8			28	1.5	325.0					
						<			<	0.5	426.0					
						20.7			16	3.6	427.0					
						78.3	10.0		35	1.8	P1					
						29.1			95	3.6	P2					
						10.8			25	2.2	P3					
						55.0	19.4		31	3.5	P4					
						11.1	5.6		38	3.3	P12					
						27.4	9.4		86	3.9	P34					
						9.2	3.0		69	4.1	P2					
						16.3	4.9		25	0.0	6.0					em
3EG J0348-5708	57.12	-57.14	269.35	-46.79	0.42*	22.1	7.6	—	14	0.0	10.0					
						8.5			16	0.0	17.0					
						<			12	2.5	220.0					
						6.8			8	3.3	224.0					
						6.1			17	0.0	329.0					
						19.7	11.8		14	0.0	335.0					
						24.5	9.9		11	0.0	335.5					
						11.9			9	0.0	335.+					
						<			12	1.0	409.0					
						<			19	0.8	415.0					
						13.2			15	0.0	P1					
						9.6			22	0.0	P3					
						7.1			18	1.3	P4					
						11.1			26	1.1	P12					
						21.6			39	0.1	P34					
						3.8			24	0.9	P1234					
						6.1			47	4.4	P1234					
						10.6			102	2.8	.2+					em
						5.6			25	1.1	1.0					C
						4.5			26	0.2	21.0					
						3.8			13	0.0	36.+					
3EG J0404+0700	61.15	7.00	184.00	-32.15	0.70*	11.1	2.8	2.65	10	0.0	39.0					
						24.3	10.5	± 0.26	29	1.4	317.0					
						<			9	0.0	413.0					
						26.5			18	2.6	420.0					
						<			37	2.2	P1					
						15.0			21	2.0	P3					
						34.5			13	3.0	P4					
						20.3			31	2.6	P12					
						31.0			45	3.7	P34					
						32.2			54	4.7	.2+					
						23.2	10.9		53							
						7.7	3.8		18	2.6	420.0					
						11.5	6.3		37	2.2	P1					
						16.8	6.7		23	2.0	P3					
						8.4	3.6		31	3.0	P4					
						14.3	4.5		45	2.6	P12					
3EG J0407+1710	61.82	17.18	175.63	-25.06	0.71	32.1	8.6	2.93	54	3.7	P34		2EG J0406+1704	C		a

TABLE 4—Continued

Name	RA	' Dec	l	b	θ_{95}	F	ΔF	γ	Counts	\sqrt{TS}	VP	ID	Other Name	Note	Ref	z
						<	23.8	± 0.37	<	34	0.9	1.0				
						<	24.4		<	13	0.0	2.1				
						<	15.0		<	22	0.1	15.0				
						<	30.6		<	25	1.3	21.0				
						<	31.3		<	27	1.0	36.+				
						<	17.3		<	20	0.0	39.0				
						<	39.8		<	14	0.0	213.0				
						<	17.6		<	13	0.0	321.+				
						<	25.9		<	21	0.6	317.0				
						<	32.5		<	7	0.0	412.0				
						<	35.8		<	21	0.9	412.+				
						<	29.3		<	9	0.0	419.+				
						<	35.7		<	25	1.5	420.0				
						<	38.7		<	13	0.7	427.0				
						<	8.8	3.2	<	70	3.0	P1				
						<	38.9		<	29	1.1	P2				
						<	12.1		<	19	0.0	P3				
						<	10.8	5.6	<	24	2.2	P4				
						<	9.0	3.1	<	78	3.1	P12				
						<	12.2		<	46	1.0	P34				
						<	7.3	2.5	<	90	3.2	P1234				
3EG J0412-1853	63.14	-18.88	213.90	-43.29	1.50	<	49.5	16.1	<	19	4.5	329.0	A	0414-189	C	1.536
						<	13.2	± 0.68	<	10	0.0	21.0				
						<	7.6		<	22	0.1	29.0				
						<	34.4		<	9	0.7	335.0				
						<	21.5		<	6	0.0	335.5				
						<	15.7		<	9	0.1	335.+				
						<	17.2		<	12	0.0	419.+				
						<	37.5		<	13	1.2	420.0				
						<	7.0		<	25	0.3	P1				
						<	13.7	7.7	<	13	2.2	P3				
						<	10.2	4.9	<	20	2.5	P34				
						<	9.1		<	51	1.7	P1234				
3EG J0416+3650	64.04	36.84	162.22	-9.97	0.63	<	12.8	2.59	<	204	5.3	P1234	a	0415+379?	C	0.049
						<	28.4	10.4	<	40	3.2	.2+		(3C 111)		
						<	23.0	9.6	<	37	2.7	31.0				
						<	30.7		<	42	1.7	36.+				
						<	17.7		<	36	0.5	39.0				
						<	60.8		<	18	1.2	213.0				
						<	51.6		<	16	0.6	221.0				
						<	60.2	17.1	<	41	4.5	321.1				
						<	69.3	14.3	<	16	0.6	321.5				
						<	18.7		<	45	4.3	321.+				
						<	55.0		<	35	0.5	325.0				
						<	69.7		<	14	0.6	412.0				
						<	33.2		<	22	1.3	426.0				
						<	10.2	3.1	<	38	1.4	427.0				
						<	111		<	111	3.5	P1				

TABLE 4—Continued

Name	RA	'Dec	l	b	θ_{95}	F	ΔF	γ	Counts	\sqrt{TS}	VP	ID	Other Name	Note	Ref	z
3EG J0433+2908	68.40	29.14	170.48	-12.58	0.18	9.8	4.1		45	2.7	P34					
						22.0	2.8	1.90	403	8.7	P1234	A	2EG J0432+2910	C	a,i,w	
						<	<	± 0.10	<	1.0	.2+					
						<	<		63	1.6	1.0					
							16.8		17	2.0	2.1					
						29.4	7.5		82	4.5	15.0					
						31.6	11.7		38	3.1	31.0					
						<	<		45	1.4	36.+					
						<	<		47	1.0	39.0					
						<	<		25	1.2	213.0					
						32.7	18.0		17	2.1	221.0					
						<	<		11	0.1	310.0					
						32.4	12.6		31	3.0	321.1					
						41.3	23.0		13	2.2	321.5					
						34.6	11.1		44	3.7	321.+					
3EG J0435+6137	68.92	61.62	146.50	9.50	0.66*	40.8	<		45	1.6	325.0					
						59.9	24.0		23	3.0	412.0					
						33.1	16.8		19	2.3	413.0					
						46.0	14.8		42	3.7	412.+					
						64.3	<		26	1.5	420.0					
						75.8	22.1		35	4.5	426.0					
						24.0	12.1		19	2.3	427.0					
						16.0	3.3		197	5.2	P1					
						22.6	12.4		22	2.0	P2					
						28.4	8.2		67	4.0	P3					
						38.7	8.0		102	5.8	P4					
						17.3	3.2		229	5.9	P12					
						32.1	5.7		161	6.6	P34					
						15.9	3.5	2.46	168	5.1	P1234				em	
						15.8	8.5	± 0.35	26	2.1	15.0				C	
23.9	7.6		57	3.6	31.0											
3EG J0439+1555	69.81	15.93	181.98	-19.98	0.92	23.7	<		38	0.7	325.0					
						29.7	<		18	0.0	427.0					
						<	<		94	4.3	P1					
						19.5	5.2		47	1.6	P2					
						41.1	<		38	2.0	P3					
						11.2	6.0		34	0.9	P4					
						27.8	<		112	4.5	P12					
						18.7	4.7		51	2.4	P34					
						11.1	5.1		39	4.2	36.+				2EG J0437+1524	em
						42.9	12.7	2.27	50	1.2	.2+				C	
						17.7	<	± 0.44	44	0.8	1.0					
						17.4	<		44	1.8	2.1					
						41.3	<		41	1.8	1.0					
						17.8	<		17	0.0	15.0					
						36.7	<		44	1.9	39.0					
33.4	<		16	0.0	213.0											
18.6	<		12	0.0	221.0											
17.1	<		21	0.0	321.+											

TABLE 4—Continued

Name	RA	'Dec	l	b	θ_{95}	F	ΔF	γ	Counts	\sqrt{TS}	VP	ID	Other Name	Note	Ref	z
	<	<	<	<	<	17.2			<	0.0	337.0					
	<	<	<	<	<	38.9			<	0.5	412.0					
	<	<	<	<	<	19.5			<	0.0	413.0					
	<	<	<	<	<	17.0			<	0.0	412.+					
	<	<	<	<	<	53.2			<	0.8	419.1					
	<	<	<	<	<	22.2			<	0.0	419.5					
	<	<	<	<	<	21.4			<	0.0	419.+					
	<	<	<	<	<	17.4			<	0.0	420.0					
	<	<	<	<	<	26.7			<	0.0	426.0					
	<	<	<	<	<	34.6			<	0.0	427.0					
	<	<	<	<	<	11.6	3.3		109	3.9	P1					
	<	<	<	<	<	19.8			22	0.0	P2					
	<	<	<	<	<	11.9			30	0.0	P3					
	<	<	<	<	<	8.7			34	0.0	P4					
	<	<	<	<	<	9.3	3.1		98	3.3	P12					
	<	<	<	<	<	6.8			44	0.0	P34					
	<	<	<	<	<	4.8	2.3		82	2.2	P1234					
3EG J0439+1105	69.81	11.09	186.14	-22.87	0.92	9.4	2.4	2.44	135	4.2	P1234					C
	<	<	<	<	<	22.5		± 0.29	55	1.7	.2+					
	<	<	<	<	<	19.1			44	1.3	1.0					
	<	<	<	<	<	19.8			19	0.0	2.1					
	<	<	<	<	<	29.2			19	0.0	36.+					
	<	<	<	<	<	20.5			17	0.0	39.0					
	<	<	<	<	<	37.9			23	1.1	221.0					
	<	<	<	<	<	44.4			13	0.5	310.0					
	<	<	<	<	<	16.9			15	0.0	321.+					
	<	<	<	<	<	17.3	9.6		20	2.0	337.0					
	<	<	<	<	<	31.4			26	1.6	413.0					
	<	<	<	<	<	31.5			33	2.0	412.+					
	<	<	<	<	<	20.7			9	0.0	419.1					
	<	<	<	<	<	34.9			17	0.8	419.5					
	<	<	<	<	<	17.3			16	0.0	419.+					
	<	<	<	<	<	29.5			38	1.7	420.0					
	<	<	<	<	<	30.3	16.4		14	2.2	426.0					
	<	<	<	<	<	12.2			87	1.5	P1					
	<	<	<	<	<	34.5			35	1.8	P2					
	<	<	<	<	<	11.7	6.0		27	2.2	P3					
	<	<	<	<	<	13.2	4.6		50	3.3	P4					
	<	<	<	<	<	6.5	3.3		54	2.1	P12					
	<	<	<	<	<	12.0	3.6		74	3.7	P34					
3EG J0442-0033	70.55	-0.55	197.39	-28.68	0.65	79.0	10.1	2.37	141	10.9	P3	A	2EGS J0442-0033	C	b,e,h	0.844
	<	<	<	<	<	12.0		± 0.18	18	0.0	.2+		GEV J0441-0044			
	<	<	<	<	<	16.6			26	0.7	1.0		0440-003			
	<	<	<	<	<	23.7			19	0.5	2.1		NRAO 190			
	<	<	<	<	<	16.2			17	0.0	29.0					
	<	<	<	<	<	77.2			15	0.8	36.+					
	<	<	<	<	<	28.3			6	0.0	213.0					
	<	<	<	<	<	34.2			12	0.0	221.0					

TABLE 4—Continued

Name	RA	' Dec	l	b	θ_{95}	F	ΔF	γ	Counts	\sqrt{TS}	VP	ID	Other Name	Note	Ref	z
						48.5	21.2		13	3.2	321.1					
						47.7	18.4		17	3.5	321.+					
						85.9	12.0		122	9.8	337.0					
					<	16.7			<	0.0	413.0					
					<	10.8			<	0.0	419.+					
					<	10.3			<	0.0	420.0					
					<	50.1			<	0.3	426.0					
					<	10.1			<	0.9	P1					
					<	23.3			<	0.0	P2					
					<	6.3			<	0.0	P4					
					<	9.2			<	0.8	P12					
						22.3	4.1		120	6.6	P34					
						12.5	2.6		136	5.4	P1234					
3EG J0450+1105	72.61	11.09	187.86	-20.62	0.64	109.5	19.4	2.27	73	7.7	36.+	A	0446+112	C	a,d,e	1.207
						17.7	6.2	± 0.16	49	3.3	2.+		2EG J0450+1122			
					<	18.9			50	1.4	1.0					
					<	25.2	10.2		28	2.9	2.1					
					<	25.0	11.0		22	2.8	39.0					
					<	44.6			19	0.8	213.0					
					<	36.0			25	1.2	221.0					
					<	29.6			11	0.0	310.0					
					<	29.5	13.2		22	2.7	321.1					
					<	38.6			10	0.0	321.5					
					<	28.7			29	1.1	321.+					
					<	31.1			41	1.5	337.0					
					<	32.1	17.7		12	2.2	412.0					
					<	24.8			24	0.6	413.0					
					<	28.1			34	1.4	412.+					
					<	42.3			21	1.4	419.1					
					<	21.1			12	0.0	419.5					
					<	24.3			25	1.2	419.+					
					<	11.9			17	0.0	420.0					
					<	33.9			18	0.3	426.0					
					<	23.5	3.8		191	7.3	P1					
					<	29.9			34	1.4	P2					
					<	12.8	6.1		35	2.3	P3					
					<	11.5			49	0.9	P4					
					<	22.0	3.5		203	7.4	P12					
					<	6.3	3.3		44	2.0	P34					
					<	14.9	2.5		242	6.9	P1234					
3EG J0456-2338	74.24	-23.64	223.96	-34.98	0.94	14.7	4.2	3.14	46	4.4	29.0	A	0454-234	em	d	1.009
					<	18.8		± 0.47	12	0.3	329.0			C		
					<	17.6			8	0.0	335.5					
					<	14.0			13	0.3	335.+					
					<	15.1			15	0.4	419.+					
					<	11.0			23	0.6	P3					
					<	14.1			19	0.6	P4					
					<	9.7			34	1.0	P34					

TABLE 4—Continued

Name	RA	' Dec	l	b	θ_{95}	F	ΔF	γ	Counts	\sqrt{TS}	VP	ID	Other Name	Note	Ref	z
3EG J0458-4635	74.57	-46.60	252.40	-38.40	1.04*	8.1	2.6		54	3.6	P1234					
						7.7	2.1	2.75	77	4.3	P1234	A	0454-463	em	d	0.858
						22.8	7.4	± 0.35	27	3.9	6.0			C		
						<			16	0.7	10.0					
						<			30	1.6	17.0					
						<			25	1.4	29.0					
						<			26	1.5	329.0					
						<			19	0.9	335.0					
						<			16	0.4	335.5					
						<			25	0.8	335.+					
						<			25	1.9	409.0					
						<			50	3.9	P1					
						<			38	1.5	P3					
						<			19	2.5	P4					
						3EG J0459+0544	74.93	5.75	193.99	-21.66	0.99	5.5	2.6		31	2.4
12.1	3.1	2.36	101	4.5	P12							A	0459+060	em		1.106
16.7	5.6	± 0.40	43	3.5	.2+									C		
<			54	2.0	1.0											
<			37	1.8	2.1											
<			13	0.3	36.+											
<			12	0.0	39.0											
<			12	2.3	213.0											
<			14	0.0	221.0											
<			9	0.0	310.0											
<			14	0.3	321.1											
<			21	0.7	321.+											
<			42	1.4	337.0											
<			14	0.9	412.0											
<			22	0.8	413.0											
<			27	1.1	412.+											
<			6	0.0	419.1											
<			15	0.0	419.5											
<			17	0.0	419.+											
<			18	0.0	420.0											
<			9	0.0	426.0											
<			88	4.2	P1											
<			33	1.6	P2											
<			44	1.0	P3											
<			30	0.0	P4											
<			42	0.0	P34											
3EG J0459+3352	74.78	33.87	170.30	-5.38	0.98	6.1	2.1		96	3.2	P1234		2EG J0506+3424	em	a	
						18.6	3.3	2.54	248	6.2	P1			C		
						23.9		± 0.24	65	1.4	.2+					
						<			54	1.1	1.0					
						<			22	0.2	2.1					
						<			64	3.8	15.0					
						<			69	4.5	31.0					
						<			39	3.0	36.+					

TABLE 4—Continued

Name	RA	'Dec	l	b	θ_{95}	F	ΔF	γ	Counts	\sqrt{TS}	VP	ID	Other Name	Note	Ref	z
	<					18.3			<	0.3	39.0					
	<					34.3			<	0.0	213.0					
	<					24.6			<	0.0	221.0					
	<					25.5			<	0.9	321.+					
	<					35.6			<	1.0	325.0					
	<					32.1			<	0.0	412.0					
	<					33.7			<	0.5	413.0					
	<					21.3			<	0.0	412.+					
	<					26.8	14.3		19	2.2	427.0					
	<					20.9			22	0.0	P2					
	<					15.4			46	0.5	P3					
	<					14.4	7.2		36	2.2	P4					
	<					6.7			96	0.4	P12					
	<					10.4	4.8		57	2.3	P34					
						13.5	2.6		268	5.6	P1234					
3EG J0500+2529	75.07	25.49	177.18	-10.28	0.36*	11.3	3.0	2.52	152	4.1	P1			em		
	<					20.7		± 0.32	75	1.8	.2+			C		
	<					23.1			70	1.7	1.0					
	<					28.6	14.7		30	2.2	2.1					
	<					31.1			49	1.7	15.0					
	<					41.7			46	1.6	31.0					
	<					23.0	9.9		30	2.7	36.+					
	<					14.4			26	0.0	39.0					
	<					24.7			14	0.0	213.0					
	<					47.0			36	1.6	221.0					
	<					35.1			19	0.0	310.0					
	<					25.3			32	0.8	321.1					
	<					42.2			18	0.2	321.5					
	<					23.7			40	0.9	321.+					
	<					18.1			11	0.0	325.0					
	<					28.2			19	0.0	337.0					
	<					48.9			29	1.7	412.0					
	<					20.8			20	0.0	413.0					
	<					26.0			38	1.1	412.+					
	<					45.7			32	1.3	420.0					
	<					25.9			19	0.0	426.0					
	<					40.5	19.4		19	2.5	427.0					
	<					20.5			27	0.3	P2					
	<					10.7			37	0.0	P3					
	<					14.4			50	0.6	P4					
	<					10.4	2.8		154	4.0	P12					
	<					7.9			55	0.1	P34					
						5.0	2.2		109	2.4	P1234					
3EG J0500-0159	75.10	-1.99	201.35	-25.47	0.75	11.2	2.3	2.45	137	5.5	P1234	A	2EG J0458-0122	em	a,d,e	2.286
	<					11.8	6.1	± 0.27	19	2.2	.2+		0458-020	C		
	<					10.8			18	0.0	1.0					
	<					20.9	9.9		19	2.6	2.1					
						31.7	9.5		35	4.3	29.0					

TABLE 4—Continued

Name	RA	Dec	l	b	θ_{95}	F	ΔF	γ	Counts	\sqrt{TS}	VP	ID	Other Name	Note	Ref	z
						<	32.3		<	7	0.0					
						<	46.1		<	17	1.1					
						<	56.9		<	16	1.1					
							68.2	41.3		7	2.3					
							27.9	16.8		11	2.0					
							14.8	6.7		27	2.5					
							31.5	13.1		18	3.0					
						<	13.7		<	26	0.9					
						<	13.2		<	20	0.3					
						<	30.8		<	7	0.0					
							12.2	3.5		65	4.0					
						<	28.2		<	17	0.6					
						<	17.1	6.3		37	3.2					
						<	12.7		<	53	1.7					
							11.8	3.3		70	4.1					
							9.5	3.2		61	3.4					
							21.3	3.5	2.19	223	7.0					
					0.71		21.3	8.8	± 0.20	38	2.7					
							18.6	5.8		62	3.7					
						<	40.2		<	20	0.4					
						<	44.2		<	34	1.3					
							23.9	11.6		19	2.5					
						<	47.3		<	33	1.5					
							22.8	8.9		35	3.0					
							21.8	9.8		31	2.6					
							55.6	24.4		14	3.0					
						<	61.9		<	16	1.2					
							35.1	16.0		17	2.7					
							30.9	15.0		20	2.5					
							17.2	4.3		110	4.5					
							24.7	6.7		72	4.3					
							34.2	10.8		40	3.9					
							28.0	5.8		114	5.8					
							7.2	1.7	2.40	97	4.8					
					0.59	<	11.5	± 0.26	<	32	1.3					
							14.8	6.0		20	3.2					
							8.5	3.8		26	2.6					
						<	15.6		<	5	0.0					
						<	15.9		<	9	0.0					
						<	24.5		<	21	1.4					
							28.8	11.5		19	3.2					
						<	15.9		<	11	0.0					
							13.0	6.7		18	2.3					
						<	15.4		<	28	1.6					
							13.5	6.0		19	2.8					
						<	8.1	2.4	<	58	4.0					
							9.4		<	8	0.0					
							9.9	4.8		22	2.4					
3EG J0510+5545	77.63	55.77	153.99	9.42	0.71								2EG J0511+5523	em	a	
3EG J0512-6150	78.15	-61.84	271.25	-35.28	0.59								0506-612?	C	s	1.093

TABLE 4—Continued

Name	RA	'Dec	l	b	θ_{95}	F	ΔF	γ	Counts	\sqrt{TS}	VP	ID	Other Name	Note	Ref	z
3EG J0516+2320	79.11	23.35	181.12	-8.53	0.35	8.8	3.5		28	3.0	P4					
						6.4	2.2		51	3.4	P12					
						8.8	2.8		49	3.7	P34					
						168.9	20.7	2.67	225	10.5	2.1	S	91/06/11 Sol.FI.			
								± 0.33								
3EG J0520+2556	80.14	25.75	179.65	-6.40	0.86	15.7	2.7	2.83	356	6.2	P1234		2EG J0520+2626	em	a	
						17.1	6.3	± 0.24	72	2.9	.2+					
						24.8	7.7		86	3.6	1.0					
						37.4	16.4		46	2.5	2.1					
						<			54	1.8	15.0					
						<			34	2.5	31.0					
						<			38	1.0	36.+					
						<			58	1.6	39.0					
						<			28	1.1	213.0					
						<			23	0.0	221.0					
						<			28	0.6	310.0					
						<			59	1.6	321.+					
						<			24	2.5	412.0					
3EG J0521+2147	80.38	21.80	183.08	-8.43	0.45	30.2	9.7		36	0.8	413.0					
						21.6	9.7		37	2.5	412.+					
						34.9	17.3		23	2.3	420.0					
						<			45	2.0	426.0					
						<			20	0.4	427.0					
						19.6	3.6		278	5.9	P1					
						25.5			37	0.5	P2					
						24.2			81	1.7	P3					
						19.5	6.6		74	3.3	P4					
						18.1	3.4		283	5.8	P12					
						14.8	4.6		105	3.4	P34					
						20.7	3.1	2.48	475	7.2	P1234		2EG J0521+2206	C	a	
						14.6	6.8	± 0.15	66	2.2	.2+					
23.2			89	1.2	1.0											
51.3	16.9		73	3.4	2.1											
<			40	1.1	31.0											
<			42	1.1	36.+											
41.5			37	2.4	39.0											
27.1	12.6		39	1.6	213.0											
65.7			40	3.2	221.0											
42.6	15.6		36	0.7	310.0											
43.6			48	1.0	321.1											
35.2			19	0.4	321.5											
42.4			55	1.1	321.+											
30.0			49	3.1	337.0											
45.2	16.2		21	0.0	412.0											
29.6			63	1.9	413.0											
48.5			54	1.0	412.+											
29.1			22	0.1	419.+											
42.0			27	0.0	420.0											
30.1			<													

TABLE 4—Continued

Name	RA	Dec	l	b	θ_{95}	F	ΔF	γ	Counts	\sqrt{TS}	VP	ID	Other Name	Note	Ref	z
						34.1	14.8		30	2.7	426.0					
						56.0	31.1		15	2.2	427.0					
						16.8	4.2		219	4.3	P1					
						35.2	11.9		54	3.4	P2					
						18.9	7.5		70	2.7	P3					
						12.4	6.2		57	2.1	P4					
						19.7	3.9		287	5.4	P12					
						15.3	4.8		127	3.4	P34					
3EG J0530+1323	82.74	13.38	191.50	-11.09	0.21	93.5	3.6	2.46	2086	33.2	P1234	A	2EG J0531+1324	a,d,e		2.060
						147.1	9.3	± 0.04	636	21.4	.2+		GEV J0530+1340			
						98.9	8.7		399	14.3	1.0		0528+134			
						48.7	12.2		84	4.6	2.1					
						35.7	17.4		21	2.4	36+					
						39.6	15.8		31	2.9	39.0					
						351.4	36.8		175	14.4	213.0					
						32.4	14.3		29	2.6	221.0					
						48.3		<	42	1.5	310.0					
						39.5	13.6		41	3.4	321.1					
						125.6	30.2		44	5.5	321.5					
						62.2	12.8		87	5.8	321+					
						35.5	10.6		66	3.8	337.0					
						87.8	21.1		49	5.4	412.0					
						85.3	12.9		125	8.7	413.0					
						90.8	11.8		168	10.1	412+					
						112.0	23.8		61	6.0	419.1					
						125.7	21.9		83	7.7	419.5					
						120.4	16.1		145	9.8	419+					
						125.3	15.6		164	10.9	420.0					
						48.5	16.6		37	3.4	426.0					
						101.3	5.2		1162	25.1	P1					
						140.4	16.2		198	11.7	P2					
						43.4	7.3		179	6.9	P3					
						97.1	7.2		514	17.6	P4					
						105.1	4.9		1353	27.5	P12					
						73.9	5.1		697	17.9	P34					
3EG J0530-3626	82.54	-36.44	240.94	-31.29	0.75	31.9	7.2	2.63	54	6.0	335+	a	2EG J0524-3630	@	a	0.055
						21.7		± 0.42	42	1.9	29.0		0521-365?	em		
						14.5		<	16	0.4	329.0			C		
						20.2	10.7		16	2.3	335.0					
						24.8	8.6		22	3.8	335.5					
						26.9	14.9		10	2.2	409.0					
						34.8		<	9	0.4	419.5					
						19.0	4.8		53	5.1	P3					
						41.7		<	26	1.8	P4					
						19.5	4.4		67	5.6	P34					
						15.8	3.5		85	5.5	P1234					
3EG J0531-2940	82.91	-29.68	233.44	-29.31	1.07	35.0	11.8	2.47	23	4.2	335.5	a	0537-286?	C		3.11
						10.4		± 0.60	24	0.8	29.0					

TABLE 4—Continued

Name	RA	Dec	l	b	θ_{95}	F	ΔF	γ	Counts	\sqrt{TS}	VP	ID	Other Name	Note	Ref	z		
3EG J0533+4751	83.32	47.85	162.61	7.95	0.60*	<	15.0		<	11	0.0							
						<	20.5		<	12	0.1							
						<	18.6	7.3	<	23	3.3	335.+						
						<	29.3		<	22	1.1	419.+						
						<	9.6	4.9		19	2.4	P3						
						<	26.1			19	0.6	P4						
							10.9	4.5		30	2.9	P34						
							6.9	2.9		35	2.7	P1234						
							14.0	2.8	2.55	185	5.5	P1234						ern
							21.9	9.5	± 0.23	27	2.7	.2+						
							30.8			50	1.9	15.0						
							17.2	5.3		67	3.7	31.0						
							21.4			18	0.0	36.+						
							33.3			40	1.5	39.0						
							31.8			20	0.3	321.1						
						38.2			32	1.4	321.+							
						32.7	17.0		15	2.3	319.0							
						23.0	11.4		21	2.3	319.+							
						30.0			34	1.0	325.0							
						47.9			14	0.4	412.0							
						42.8			31	1.7	427.0							
						12.0	3.5		102	3.8	P1							
						43.2			19	0.7	P2							
						15.9	6.3		45	2.8	P3							
						15.8	8.6		23	2.1	P4							
						13.4	3.5		120	4.3	P12							
						15.5	5.1		67	3.4	P34							
3EG J0533-6916	83.42	-69.27	279.73	-32.09	0.53	<	14.2	2.2	<	192	7.7	G	2EG J0532-6914	E	a			
						<	14.4	4.7	± 0.20	45	3.6	6.0	LMC					
						<	13.4			17	0.1	10.0						
						<	21.0	4.6		78	5.7	17.0						
						<	33.5			14	0.6	220.0						
							51.6	13.6		36	5.3	224.0						
							29.5	15.7	2.20	13	2.3	329.0						
							30.1		± 0.20	24	1.6	335.+						
							13.4	5.8		22	2.8	409.0						
							14.6	6.4		21	2.8	415.0						
							13.7	2.9		111	5.6	P1						
							31.5	9.5		35	4.3	P2						
							14.7	7.6		18	2.3	P3						
							12.9	4.3		40	3.7	P4						
							16.2	2.8		149	6.9	P12						
						13.0	3.7		56	4.2	P34							
3EG J0534+2200	83.57	22.01	184.53	-5.84	0.048	<	226.2	4.7	2.19	5314	67.9	P	2EG J0534+2158		a			
							244.2	10.6	± 0.02	1167	33.0	.2+	GEV J0534+2159					
							255.5	11.7		1045	31.2	1.0	PSR B0531+21					
							262.0	20.9		398	17.4	2.1	Crab pulsar					
							152.0	19.9		149	10.4	31.0						

TABLE 4—Continued

Name	RA	Dec	l	b	θ_{95}	F	ΔF	γ	Counts	\sqrt{TS}	VP	ID	Other Name	Note	Ref	z
	206.4	22.9				188	12.6		36.+							
	213.1	20.4				258	14.6		39.0							
	228.4	30.6				129	10.7		213.0							
	187.7	21.9				185	11.9		221.0							
	199.2	21.8				196	12.9		310.0							
	202.9	17.9				286	16.1		321.1							
	177.5	29.9				83	8.3		321.5							
	197.4	15.4				371	18.2		321.+							
	228.2	21.9				260	14.4		337.0							
	232.7	25.3				177	13.3		412.0							
	202.0	18.0				291	15.6		413.0							
	225.0	15.7				457	20.3		412.+							
	207.7	42.5				53	6.7		419.1							
	231.9	40.8				67	8.3		419.5							
	226.4	29.7				123	10.8		419.+							
	237.5	25.2				193	13.5		420.0							
	186.3	22.3				167	11.8		426.0							
	234.5	6.3				3164	52.7		P1							
	197.6	17.7				307	15.6		P2							
	205.8	11.0				824	26.3		P3							
	217.6	10.5				968	29.4		P4							
	230.4	5.9				3467	54.8		P12							
	212.0	7.6				1792	39.4		P34							
3EG J0540-4402	85.02	-44.05	250.08	-30.86	0.30	25.3	3.1	2.41	219	10.6	P1234	A	2EG J0536-4348 GEV J0540-4359 0537-441	C	a,d,e	0.894
	<	<	<	<	<	36.1	9.1	± 0.12	41	5.4	6.0					
	<	<	<	<	<	18.3	9.1		32	1.8	8.0					
	<	<	<	<	<	28.2	7.3		17	2.4	17.0					
	<	<	<	<	<	25.4	7.3		33	1.7	29.0					
	<	<	<	<	<	19.3	7.3		32	4.6	329.0					
						91.1	14.6		38	1.9	335.+					
						22.9	11.3		67	10.0	409.0					
						20.4	4.3		15	2.5	415.0					
						16.5	4.5		83	5.7	P1					
						61.4	9.6		53	4.6	P3					
						30.6	4.3		85	9.5	P4					
						19.1	4.0		141	9.5	P34					
3EG J0542+2610	85.69	26.17	182.02	-1.99	0.70*	18.9	4.0	2.67	281	5.1	P12		GRO J0542+26 S147 SNR?	@	q,s	
	<	<	<	<	<	17.2	8.0	± 0.22	84	1.0	.2+			em		
	<	<	<	<	<	49.5	16.6		64	2.3	1.0			C		
	<	<	<	<	<	39.2	13.1		63	3.3	2.1					
	<	<	<	<	<	42.2	14.1		63	3.4	31.0					
	<	<	<	<	<	27.7	14.1		41	0.8	36.+					
	<	<	<	<	<	58.9			36	2.1	39.0					
	<	<	<	<	<	41.6			30	0.8	213.0					
	<	<	<	<	<	28.2			37	0.9	221.0					
	<	<	<	<	<	39.1	12.5		29	0.0	310.0					
	<	<	<	<	<	44.7			58	3.6	321.1					
	<	<	<	<	<				22	0.0	321.5					

TABLE 4—Continued

Name	RA	'Dec	l	b	θ_{95}	F	ΔF	γ	Counts	\sqrt{TS}	VP	ID	Other Name	Note	Ref	z
						28.7	10.7		57	3.0	321.+					
						<			<	1.0	337.0					
						<			<	2.0	412.0					
						<			<	2.0	413.0					
						<			<	3.0	412.+					
						57.0	23.0		33	2.9	420.0					
						<			<	0.0	426.0					
						74.0	34.6		22	2.6	427.0					
						18.6	4.3		248	4.7	P1					
						<			<	0.8	P2					
						<			<	1.9	P3					
						<			<	0.5	P4					
						<			<	1.7	P34					
						14.7	3.2		328	4.9	P1234					
3EG J0542-0655	85.57	-6.93	211.28	-18.52	1.18	66.5	19.5	—	34	4.4	413.0	a	0539-0577	em		0.839
						<			<	1.3	.2+			C		
						<			<	0.0	1.0					
						<			<	0.5	2.1					
						<			<	0.9	29.0					
						<			<	0.0	41.0					
						<			<	1.1	44.0					
						<			<	0.0	213.0					
						<			<	0.0	221.0					
						<			<	0.2	310.0					
						<			<	1.8	337.0					
						<			<	0.0	419.+					
						<			<	0.0	420.0					
						<			<	0.0	P1					
						<			<	0.0	P2					
						<			<	1.7	P3					
						<			<	1.3	P4					
						<			<	0.0	P12					
						<			<	1.8	P34					
						<			<	1.3	P1234					
3EG J0546+3948	86.55	39.81	170.75	5.74	0.67	13.7	2.6	2.85	236	5.9	P1234		2EG J0545+3943	em	a	
						25.1	7.4	± 0.21	61	3.9	.2+					
						<			<	0.6	1.0					
						<			<	2.5	2.1					
						<			<	0.3	15.0					
						<			<	2.5	31.0					
						<			<	1.0	36.+					
						<			<	3.5	39.0					
						<			<	0.0	213.0					
						<			<	1.0	221.0					
						<			<	0.0	310.0					
						<			<	1.1	321.+					
						<			<	0.7	325.0					
						<			<	1.5	412.0					

TABLE 4—Continued

Name	RA	Dec	l	b	θ_{95}	F	ΔF	γ	Counts	\sqrt{TS}	VP	ID	Other Name	Note	Ref	z
3EG J0556+0409	89.06	4.15	202.81	-10.29	0.47	<	37.0		<	21	0.8	413.0				
						<	32.9		<	34	1.4	412.+				
						<	23.3	13.7	<	12	2.1	426.0				
						<	33.2		<	18	0.3	427.0				
						<	16.7	3.3	<	196	5.7	P1				
						<	24.6		<	19	0.3	P2				
						<	20.8		<	53	1.3	P3				
						<	13.2	6.7	<	28	2.2	P4				
						<	15.6	3.1		195	5.6	P12				
						<	9.8	4.6		46	2.3	P34				
						<	16.9	2.6	2.45	316	7.2	P1234		2EGS J0555+0408		b
						<	17.9	6.3	± 0.16	58	3.2	.2+				
						<	12.1			37	0.1	1.0				
						<	26.8	9.7		42	3.2	2.1				
						<	32.2			12	0.0	44.0				
					<	51.7			33	1.7	221.0					
					<	44.0			38	1.9	310.0					
					<	31.1			23	0.2	321.+					
					<	21.5	7.3		56	3.4	337.0					
					<	38.4	21.6		13	2.2	412.0					
					<	27.6			31	1.1	413.0					
					<	18.7	9.2		25	2.3	412.+					
					<	26.6	8.9		48	3.5	419.+					
					<	32.9	11.3		45	3.3	420.0					
					<	49.0			23	1.1	426.0					
					<	13.1	3.8		111	3.8	P1					
					<	41.0			38	1.6	P2					
					<	16.3	5.5		68	3.3	P3					
					<	22.7	5.2		115	5.0	P4					
					<	13.9	3.6		130	4.2	P12					
					<	19.8	3.8		183	5.9	P34					
					<	9.0	2.3	1.92	117	4.3	P1234		GEV J0615+4200	C	c	
					<	16.2	7.2	± 0.26	31	2.6	.2+					
					<	25.5			35	1.3	1.0					
					<	7.8			28	0.1	31.0					
					<	28.2			19	0.4	36.+					
					<	21.8	10.8		22	2.3	39.0					
					<	28.9	14.7		15	2.4	310.0					
					<	16.5			18	0.2	321.+					
					<	29.2			9	0.0	319.5					
					<	21.4	10.2		17	2.6	412.+					
					<	27.8	15.6		10	2.3	426.0					
					<	38.9			13	0.7	427.0					
					<	7.0	2.8		62	2.7	P1					
					<	21.9	12.5		13	2.2	P2					
					<	17.0			32	0.9	P3					
					<	18.8	6.9		31	3.3	P4					
					<	7.8	2.8		74	3.1	P12					

TABLE 4—Continued

Name	RA	' Dec	l	b	θ_{95}	F	ΔF	γ	Counts	\sqrt{FS}	VP	ID	Other Name	Note	Ref	z
3EG J0616-0720	94.16	-7.35	215.58	-11.06	0.91	11.7	4.4		42	3.0	P34					
						12.2	3.3	2.43	131	4.0	P1234	2EG J0617-0652	em	a		
						<	<	± 0.30	<	0.7	.2+					
						<	9.8		28	2.5	1.0					
						<	<		37	1.1	2.1					
						<	<		17	0.0	41.0					
						<	<		30	1.0	44.0					
						<	26.2		14	2.6	221.0					
						<	<		21	0.8	310.0					
						<	<		37	0.4	337.0					
						<	<		28	1.8	413.0					
						<	<		49	1.3	419.+					
						<	<		27	0.8	420.0					
						<	5.3		79	3.5	P1					
3EG J0616-3310	94.15	-33.17	240.35	-21.24	0.63	20.0	5.8		52	1.0	P3					
						11.0	5.8		36	2.1	P4					
						17.7	5.2		87	3.8	P12					
						9.0	4.4		53	2.2	P34					
						12.6	3.2	2.11	70	4.7	P1234					
						<	<	± 0.24	28	1.9	8.0					
						<	<		26	1.5	29.0					
						<	<		6	0.0	41.0					
						<	<		18	1.7	44.0					
						<	<		9	0.0	301.0					
						<	10.5		15	2.9	329.0					
						<	13.7		11	2.2	335.0					
						<	12.9		14	2.8	335.5					
						<	9.2		23	3.3	335.+					
<	37.0		19	1.1	338.5											
3EG J0617+2238	94.30	22.63	189.00	3.05	0.13	57.8	22.9		18	3.2	419.5					
						10.6	4.1		31	3.1	P1					
						15.7	5.3		37	3.6	P3					
						17.5	5.2		46	4.1	P34					
						51.4	3.5	2.01	1075	17.4	P1234	2EG J0618+2234	@	a,p,q		
						33.2	6.9	± 0.06	146	5.4	.2+	GEV J0617+2237	C			
						62.3	8.5		237	8.7	1.0	IC 443 SNR?				
						64.0	14.7		91	5.1	2.1					
						<	<		29	0.1	31.0					
						<	23.8		41	4.1	36.+					
						<	19.2		32	2.7	39.0					
						<	29.3		37	3.7	213.0					
						<	16.3		31	2.6	221.0					
						<	12.3		56	3.6	310.0					
<	13.6		52	3.8	321.1											
<	29.1		29	3.0	321.5											
<	12.5		81	4.8	321.+											
<	18.0		87	5.5	337.0											
<	16.8		34	3.4	412.0											

TABLE 4—Continued

Name	RA	' Dec	l	b	θ_{95}	F	ΔF	γ	Counts	\sqrt{TS}	VP	ID	Other Name	Note	Ref	z	
3EG J0622-1139	95.58	-11.66	220.16	-11.69	0.86	61.9	13.1		89	5.8	413.0						
						56.6	10.9		113	6.3	412.+						
						87.2	41.9		16	2.6	419.1						
						41.1	22.8		18	2.1	419.+						
						115.5	24.4		66	6.2	420.0						
						71.0	17.8		56	5.0	426.0						
						45.8	4.6		545	11.6	P1						
						51.5	14.6		64	4.1	P2						
						51.1	7.9		208	7.5	P3						
						63.8	8.2		236	9.6	P4						
						46.6	4.4		613	12.4	P12						
						58.0	5.7		451	12.2	P34						
						20.5	5.1	2.67	95	4.6	P34	A	0616-116				
						57.2		± 0.43	33	1.7	.2+						
						19.3			14	0.0	1.0						
						55.6			31	1.8	2.1						
						18.4			13	0.0	29.0						
						30.9			17	0.0	41.0						
						19.7			20	0.0	44.0						
						43.1			12	0.4	310.0						
					14.9	8.2		26	2.0	337.0							
					60.7			17	1.1	413.0							
					31.9	10.7		37	3.7	419.5							
					19.5	8.4		33	2.7	419.+							
					47.9	16.3		29	3.6	420.0							
					11.2			45	0.5	P1							
					16.1	7.5		33	2.4	P3							
					24.5	7.0		63	4.1	P4							
					10.9	3.4		94	3.5	P1234							
					23.9	4.0	2.30	470	6.3	P1234							
					18.1	8.5	± 0.10	77	2.2	.2+							
					48.4	9.8		182	5.5	1.0							
					56.6			86	1.7	2.1							
					61.3			23	0.3	36.+							
					48.6			25	0.0	39.0							
					38.2			30	0.0	221.0							
					30.2			47	0.3	310.0							
					42.2			57	0.8	321.+							
					64.5			81	1.7	337.0							
					39.2			26	0.0	412.0							
					30.8			44	0.2	413.0							
					24.8			48	0.2	412.+							
					46.8	22.4		30	2.4	420.0							
					65.9			45	1.3	426.0							
					30.2	5.6		314	5.8	P1							
					33.8			39	0.0	P2							
					31.2			129	1.6	P3							
					17.7	8.4		70	2.2	P4							
3EG J0628+1847	97.18	18.79	193.66	3.64	0.57									@			
														C			

TABLE 4—Continued

Name	RA	¹ Dec	l	b	θ_{95}	F	ΔF	γ	Counts	\sqrt{TS}	VP	ID	Other Name	Note	Ref	z					
3EG J0631+0642	97.92	6.72	204.71	-1.30	0.46	27.3	5.3		315	5.5	P12										
						16.2	6.1		132	2.8	P34										
						25.5	5.1	2.06	204	5.5	P34	GEV J0633+0645	@	c							
						<	13.8	± 0.15	<	43	0.0	.2+									
						<	15.6		<	47	0.0	1.0									
						<	34.9		<	50	0.8	2.1									
						<	74.0		<	24	0.6	41.0									
						<	49.7		<	31	0.7	44.0									
						<	64.3		<	14	0.3	213.0									
						<	37.2	19.5	<	22	2.2	221.0									
						<	45.8		<	56	1.7	310.0									
						<	45.2	20.7	<	25	2.5	321.1									
						<	34.1	17.5	<	25	2.2	321.+									
						<	28.5	10.7	<	58	3.0	337.0									
						3EG J0633+1751	98.49	17.86	195.06	4.31	0.032	<	70.3		<	27	1.6	412.0			
<	30.9		<	36	0.7							413.0									
<	37.9		<	53	1.7							412.+									
<	44.3	22.8	<	21	2.3							419.1									
<	40.1		<	32	0.7							419.5									
<	23.5	12.6	<	30	2.1							419.+									
<	43.2		<	36	0.8							420.0									
<	107.2	31.4	<	43	4.2							426.0									
<	8.9		<	76	0.0							P1									
<	51.3		<	41	1.5							P2									
<	24.1	7.3	<	96	3.6							P3									
<	26.5	7.2	<	107	4.1							P4									
<	10.4		<	97	0.4							P12									
<	14.3	3.4	<	248	4.5							P1234									
3EG J0633+1745	98.49	17.86	195.06	4.31	0.032							352.9	5.7	1.66	6329	104.6	P1234	P	2EG J0633+1745		a
						344.8	11.9	± 0.01	1374	48.6	.2+		GEV J0634+1746								
						306.5	12.3	break	1086	40.9	1.0		PSR J0633+1746								
						395.7	21.1		580	31.4	2.1		Geminga pulsar								
						285.9	41.9		84	11.1	36.+										
						459.4	47.8		146	16.6	213.0										
						353.0	28.3		256	21.0	221.0										
						321.7	17.8		522	30.7	310.0										
						386.3	25.9		345	25.9	321.1										
						412.8	47.9		119	14.9	321.5										
						394.2	22.8		466	30.0	321.+										
						417.1	22.9		539	31.2	337.0										
						316.9	28.6		190	18.8	412.0										
						346.0	19.8		477	30.0	413.0										
						321.7	16.8		584	32.6	412.+										
427.8	56.2		97	12.6	419.1																
379.8	41.1		131	16.4	419.5																
400.3	33.3		229	20.7	419.+																
291.5	28.7		176	16.9	420.0																
359.3	30.6		216	20.5	426.0																

TABLE 4---Continued

Name	RA	Dec	l	b	θ_{95}	F	ΔF	γ	Counts	\sqrt{FS}	VP	ID	Other Name	Note	Ref	z
	<	<	<	<	<	41.7			<	10	0.2	230.+				
	<	<	<	<	<	23.2			<	15	0.0	301.0				
	<	<	<	<	<	22.6			<	8	0.0	329.0				
	<	<	<	<	<	47.3			<	27	1.9	335.+				
	<	<	<	<	<	27.9			<	38	1.8	338.5				
	<	<	<	<	<	22.8			<	10	0.0	415.0				
	<	<	<	<	<	10.9	4.6		39	2.7	P1					
	<	<	<	<	<	15.2			45	1.2	P3					
	<	<	<	<	<	10.3	4.4		38	2.6	P12					
	<	<	<	<	<	13.2			45	1.1	P34					
	<	<	<	<	<	5.6	3.0		40	2.1	P1234					
3EG J0721+7120	110.43	71.35	143.98	28.00	0.30	17.8	2.0	2.19	278	10.9	P1234	A	2EG J0720+7126		a,d,e	~0.3
						22.5	4.7	± 0.11	73	6.1	18.0		GEV J0719+7133			
						45.7	11.1		38	5.7	22.0		0716+714			
						21.7	7.7		28	3.5	31.0					
						35.4			25	1.6	216.0					
						9.3	4.7		19	2.3	227.0					
						20.4	5.5		43	4.8	228.0					
						15.5	3.7		64	5.2	227.+					
						11.4	5.4		22	2.5	319.0					
						11.8	6.5		18	2.1	319.5					
						11.4	4.1		39	3.2	319.+					
						29.0	9.1		25	4.3	411.1					
						27.9	10.1		24	3.6	411.5					
						31.8	7.2		55	5.8	411.+					
						21.0	3.5		118	7.6	P1					
						14.4	3.4		70	5.1	P2					
						17.8	2.5		186	9.0	P12					
						17.5	3.6		89	5.9	P34					
						16.8	3.5	2.60	122	5.5	P12		2EG J0720-4746	em	a	
3EG J0724-4713	111.09	-47.23	259.00	-14.38	0.95	27.0		± 0.36	19	0.4	.7			C		
						35.9	9.7		42	4.7	6.0					
						14.8	5.6		47	3.0	8.0					
						40.5			32	1.8	14.0					
						27.0			25	0.0	17.0					
						28.9			14	0.3	230.+					
						19.2			16	0.0	301.0					
						41.7			15	0.7	329.0					
						30.8			17	1.0	335.+					
						11.7			22	0.0	338.5					
						22.3			20	0.8	415.0					
						16.8	3.7		114	5.2	P1					
						8.5			31	0.0	P3					
						18.1			23	0.7	P4					
						7.9			39	0.2	P34					
						9.0	2.5		109	3.9	P1234					
3EG J0725-5140	111.38	-51.68	263.29	-16.02	0.91	32.3	8.5	2.51	58	4.7	338.5		2EG J0724-5157	C	a	
						21.9		± 0.36	15	0.0	.7					

TABLE 4—Continued

Name	RA	Dec	l	b	θ_{95}	F	ΔF	γ	Counts	\sqrt{TS}	VP	ID	Other Name	Note	Ref	z
						11.3	6.3		18	2.0	6.0					
						11.0	4.9		33	2.5	8.0					
						18.4	9.7		18	2.2	14.0					
						16.4			<	0.0	17.0					
						22.2			<	0.0	230.+					
						19.0			<	0.0	329.0					
						7.9			<	0.0	335.+					
						24.5			<	0.2	409.0					
						13.8			<	0.0	415.0					
						10.6	3.0		81	3.9	P1					
						11.8	4.7		42	2.8	P3					
						11.1			19	0.0	P4					
						10.1	2.9		83	3.9	P12					
						10.0	3.8		53	3.0	P34					
						9.5	2.3		128	4.6	P1234					
3EG J0737+1721	114.47	17.35	202.16	17.88	0.70	16.4	3.3	2.60	112	6.1	P1234	A	2EG J0737+1725 0735+178		a	≥ 0.424
						16.7		± 0.28	25	0.9	.2+					
						24.5			30	1.3	1.0					
						37.5			20	1.1	2.1					
						29.3	9.9		25	3.9	40.0					
						33.0			11	0.6	44.0					
						20.4	8.6		21	3.0	310.0					
						21.8	12.6		8	2.3	321.+					
						35.0			8	0.0	412.0					
						34.7			23	1.9	412.+					
						15.0	4.2		62	4.2	P1					
						21.9	7.3		31	3.9	P3					
						26.3			27	1.9	P4					
						15.8	4.2		69	4.4	P12					
						16.7	5.1		41	4.1	P34					
3EG J0743+5447	115.83	54.80	162.99	29.19	0.53	30.3	5.0	2.03	103	8.1	227.+	A	2EG J0744+5438 0738+5451	a,t,u,w	0.723	
						16.7		± 0.20	4	0.0	.6					
						11.4	6.3		18	2.1	18.0					
						15.2			34	1.3	31.0					
						22.7			10	0.0	216.0					
						42.1	8.3		64	6.9	227.0					
						19.1	5.8		36	4.2	228.0					
						7.2			12	0.0	319.+					
						16.9			6	0.0	411.+					
						14.1			57	2.0	P1					
						25.1	4.5		96	7.3	P2					
						16.1	2.9		127	6.7	P12					
						6.2			13	0.0	P34					
						11.1	2.4		111	5.5	P1234					
3EG J0747-3412	116.88	-34.22	249.35	-4.48	0.70	28.5	6.4	2.22	137	5.0	P12					em
						51.4	20.4	± 0.30	35	2.9	.7					C
						19.9	8.3		54	2.6	8.0					
						67.1			25	1.3	41.0					

TABLE 4—Continued

Name	RA	Dec	l	b	θ_{95}	F	ΔF	γ	Counts	\sqrt{TS}	VP	ID	Other Name	Note	Ref	z	
						<	59.6		<	43	1.7	44.0					
						<	47.8	25.7		15	2.2	230.+					
						<	28.8			22	0.0	301.0					
						<	19.7			35	0.0	338.5					
						<	26.9	6.7		121	4.5	P1					
						<	15.8			40	0.0	P3					
						<	16.3	5.0		119	3.5	P1234					
3EG J0808+4844	122.18	48.75	170.46	32.48	0.72	<	10.7	2.5	2.15	95	5.1	P1234	a	2EG J0807+4849	@	a,d,i	1.43
						<	17.3	± 0.45		5	0.0	.6		0804+499?	C		
						<	13.3	7.0		15	2.3	18.0		0809+483?			
						<	15.1	6.1		26	3.0	31.0					
						<	10.1	5.3		17	2.2	228.0					
						<	10.8	4.2		32	3.1	227.+					
						<	14.1	7.8		15	2.1	319.+					
						<	11.2	3.6		49	3.7	P1					
						<	8.3	3.9		27	2.5	P2					
						<	10.1	2.6		77	4.5	P12					
3EG J0808+5114	122.15	51.24	167.51	32.66	0.60*	<	9.9	2.6	2.76	82	4.3	P12	a	2EG J0809+5117	@	a,u	1.14
						<	26.6	± 0.34		8	0.3	.6		0803+5126?	em		
						<	15.9	6.9		23	2.8	18.0			C		
						<	21.7			38	2.0	31.0					
						<	15.8	8.0		16	2.4	40.0					
						<	23.4	13.7		9	2.3	216.0					
						<	14.8			22	0.4	227.0					
						<	15.8			30	1.0	228.0					
						<	12.0			41	1.1	227.+					
						<	14.0			18	0.3	319.+					
						<	13.0	3.7		58	4.2	P1					
						<	14.5			55	2.0	P2					
						<	8.7	2.4		84	4.2	P1234					
3EG J0808-5344	122.11	-53.75	268.24	-11.20	0.81	<	22.4	5.4	2.46	100	4.8	P34		GRO J0807-53	em	s	
						<	15.9	± 0.28		14	0.0	.7			C		
						<	8.7			14	0.0	6.0					
						<	9.7			31	0.0	8.0					
						<	33.3	9.7		52	4.1	14.0					
						<	40.4			49	0.0	17.0					
						<	20.1			18	0.0	230.+					
						<	25.7	11.2		24	2.7	301.0					
						<	19.7	7.9		42	2.8	338.5					
						<	26.2	12.3		26	2.5	415.0					
						<	9.9			84	1.2	P1					
						<	19.6			18	0.0	P2					
						<	22.4	6.4		70	4.1	P3					
						<	21.5	9.9		29	2.5	P4					
						<	9.9			93	1.3	P12					
						<	8.6	2.6		119	3.5	P1234					
3EG J0812-0646	123.14	-6.78	228.64	14.62	0.72	<	25.4	5.5	2.34	72	5.8	P1234	a	2EG J0812-0648	a		1.837
						<	36.6	± 0.29		10	0.6	30.0		0805-077?			

TABLE 4—Continued

Name	RA	' Dec	l	b	θ_{95}	F	ΔF	γ	Counts	\sqrt{TS}	VP	ID	Other Name	Note	Ref	z					
3EG J0821-5814	125.32	-58.24	273.10	-12.04	1.26	30.8	14.6		14	2.7	33.0										
						40.2	13.1		28	4.1	41.0										
						21.2	7.7		30	3.4	44.0										
						25.4	5.6		71	5.7	P1										
						28.2	8.4	3.22	49	4.0	P4								em		
						21.5		± 0.79	16	0.0	.7								C		
						13.9		<	26	0.3	6.0										
						13.7		<	36	0.5	8.0										
						13.7		<	25	0.0	14.0										
						19.1		<	30	0.0	17.0										
						18.5		<	17	0.0	230.+										
						21.1		<	17	0.0	301.0										
						175.5		<	7	0.6	303.0										
						21.7		<	38	0.8	338.5										
31.0	10.0	<	40	3.8	415.0																
6.9		<	60	0.4	P1																
17.3		<	44	0.9	P3																
6.7		<	64	0.5	P12																
13.9	4.9	<	60	3.2	P34																
9.1		<	126	1.9	P1234																
63.9	7.4	<	793	9.3	P1234								GRO J0823-46	@	q,s						
61.5		<	68	0.7	.7								Vela SNR?	em							
182.6	29.2	<	142	7.7	6.0									C							
31.3		<	118	0.6	8.0																
96.3	22.1	<	145	4.8	14.0																
69.8		<	60	0.5	230.+																
68.0	23.6	<	79	3.1	301.0																
131.8		<	15	0.9	335.+																
91.6	17.0	<	241	5.9	338.5																
124.0		<	69	1.4	415.0																
60.7	9.5	<	434	6.8	P1																
84.1	13.7	<	323	6.6	P3																
57.5	9.0	<	460	6.8	P12																
79.7	12.9	<	350	6.7	P34																
42.6	7.4	<	467	6.1	P1234								Pup A SNR?	@							
50.5	24.0	<	56	2.2	.7									em							
41.8	12.7	<	151	3.5	8.0									C							
83.3	22.0	<	107	4.2	14.0																
53.6		<	40	0.0	230.+																
79.6		<	91	1.7	301.0																
48.8	15.1	<	128	3.4	338.5																
90.9		<	37	0.2	415.0																
47.0	9.9	<	282	5.0	P1																
43.5	12.3	<	166	3.7	P3																
42.3	9.3	<	286	4.8	P12																
24.8	11.6	<	105	2.2	P34																
16.8	5.1	<	40	4.1	P1								A								
28.0		<	5	0.0	30.0								2EG J0828+0510	a,d,e	0.180						
													0829+046								

TABLE 4—Continued

Name	RA	Dec	l	b	θ_{95}	F	ΔF	γ	Counts	\sqrt{TS}	VP	ID	Other Name	Note	Ref	z
						33.5	16.3		10	3.0	33.0					
						20.2	9.9		14	2.5	40.0					
						27.3			<	10	0.2	41.0				
						34.4			<	27	1.8	44.0				
						38.1			<	7	0.2	403.5				
3EG J0828-4954	127.24	-49.91	266.76	-6.45	0.53	15.7	4.8		40	4.0	P1234					
						24.6	4.5	2.59	329	5.9	P1234			em		
						59.9		± 0.25	64	2.0	.7			C		
						26.0			<	27	0.0	6.0				
						29.4			<	105	1.6	8.0				
						38.0	13.1		65	3.2	14.0					
						51.3			37	0.0	17.0					
						70.2	18.9		68	4.4	230.+					
						50.1	16.6		56	3.5	301.0					
						32.3			81	1.1	338.5					
						56.9			39	0.7	415.0					
						21.5	5.6		174	4.1	P1					
						22.8	8.7		84	2.8	P3					
						26.9	5.4		243	5.4	P12					
						23.2	8.1		101	3.1	P34					
3EG J0829+2413	127.49	24.22	199.91	31.69	0.62	24.9	3.9	2.42	112	8.2	P1234	A	2EG J0831+2403		a,d,e	2.046
						23.7	5.5	± 0.21	55	5.6	40.0		0827+243			
						25.1	12.9		10	2.7	310.0					
						111.0	60.1		9	2.9	321.+					
						26.3			22	1.5	322.0					
						43.3			16	1.3	326.0					
						68.5	14.6		43	6.9	403.5					
						15.6	5.9		25	3.3	P3					
						29.6	5.8		66	6.7	P34					
3EG J0834-4511	128.73	-45.20	263.52	-2.86	0.021	834.3	11.2	1.69	10320	114.6	P1234	P	2EG J0835-4513	@	a	
						870.1	37.4	± 0.01	999	35.8	.7		GEV J0835-4512			
						471.2	41.9	break	290	15.9	6.0		PSR B0833-45			
						828.6	20.8		3024	61.4	8.0		Vela pulsar			
						801.0	31.2		1259	39.2	14.0					
						926.1	42.5		815	34.5	230.+					
						811.8	35.4		978	35.9	301.0					
						748.7	171.		41	6.1	303.0					
						908.5	24.6		2516	57.4	338.5					
						1133.9	65.0		543	27.7	415.0					
						779.5	14.6		5443	81.6	P1					
						874.2	20.0		3522	68.1	P3					
						795.3	13.8		6253	88.2	P12					
						907.3	19.2		4090	73.8	P34					
3EG J0841-4356	130.49	-43.95	263.29	-1.10	0.52	70.7	11.8	2.15	506	6.3	P12			@		
						68.4	29.5	± 0.09	80	2.4	.7			C		
						95.1	17.4		336	5.8	8.0					
						48.2	23.9		76	2.1	14.0					
						73.0			63	0.3	230.+					

TABLE 4—Continued

Name	RA	Dec	l	b	θ_{95}	F	ΔF	γ	Counts	\sqrt{TS}	VP	ID	Other Name	Note	Ref	z	
						55.6			<	65	0.0	301.0					
						36.2			<	97	0.0	338.5					
						135.7	57.2			55	2.5	415.0					
						70.7	12.6			445	5.9	P1					
						29.3				115	0.0	P3					
						40.0				173	0.8	P34					
						47.5	9.3			545	5.3	P1234					
3EG J0845+7049	131.46	70.83	143.49	34.79	0.72	10.2	1.8	2.62		171	6.6	P1234	A	2EG J0831+7044	em	a,d,e	2.172
						30.6		± 0.16		13	0.4	.6		0836+710	C		
						14.2	3.9			58	4.4	18.0					
						33.4	9.0			41	4.8	22.0					
						19.3				16	0.6	31.0					
						26.8				23	1.5	216.0					
						10.3				27	0.8	227.0					
						8.1				23	0.2	228.0					
						7.2				39	0.9	227.+					
						14.2	6.4			24	2.6	319.0					
						22.4	7.6			29	3.7	319.5					
						17.8	4.9			52	4.4	319.+					
						26.4				26	1.4	411.+					
						15.3	3.1			100	5.9	P1					
						7.5				47	1.2	P2					
						8.6	2.0			111	5.0	P12					
						15.2	4.1			60	4.4	P34					
3EG J0848-4429	132.25	-44.50	264.50	-0.46	0.62	73.5	13.8	2.05		285	5.7	P3		2EGS J0852-4343	C	b	
						42.8		± 0.16		51	0.0	.7					
						32.8				113	0.4	8.0					
						52.7				88	0.8	14.0					
						84.7				77	1.2	230.+					
						87.7	24.8			102	3.9	301.0					
						71.2	17.0			189	4.5	338.5					
						85.2				34	0.0	415.0					
						19.1				121	0.0	P1					
						17.8				129	0.0	P12					
						68.5	13.2			293	5.6	P34					
						20.1	7.7			232	2.7	P1234					
3EG J0852-1216	133.16	-12.27	239.06	19.99	0.97	44.4	11.6	1.58		39	5.2	44.0	A	2EG J0852-1237	em	a,i,j,w	0.566
						22.2		± 0.58		15	0.9	30.0		PMN J0850-1213	C		
						17.1				19	0.8	33.0					
						24.9				11	0.0	41.0					
						14.0	4.4			43	3.8	P1					
3EG J0853+1941	133.42	19.68	207.19	35.43	0.91	10.6	3.0	2.03		50	4.2	P1234	A	0851+202	C		0.306
						11.3	4.5	± 0.35		27	3.0	40.0		OJ +287			
						14.4	7.1			14	2.5	322.0					
						15.8	6.9			13	3.0	403.5					
						9.7	4.4			24	2.6	P1					
						10.9	5.6			16	2.3	P3					
						12.2	4.3			28	3.5	P34					

TABLE 4—Continued

Name	RA	Dec	l	b	θ_{95}	F	ΔF	γ	Counts	\sqrt{FS}	VP	ID	Other Name	Note	Ref	z
						<	31.0		<	7	0.2	222.0				
						<	22.8	6.7	31	4.6	227.0					
						<	13.8		<	26	1.3	228.0				
						<	13.9	3.9	45	4.5	227.+					
						<	40.8		<	19	1.8	319.+				
						<	14.1	5.7	22	3.1	322.0					
						<	32.7	9.7	23	5.0	326.0					
						<	27.9		14	1.2	418.0					
						<	14.5	3.2	66	5.5	P1					
						<	11.4	3.3	47	4.2	P2					
						<	19.1	4.7	48	5.4	P3					
						<	25.7		14	1.1	P4					
						<	13.0	2.3	113	6.9	P12					
						<	16.4	4.0	51	5.3	P34					
3EG J0952+5501	148.01	55.02	159.55	47.33	0.77	<	9.1	1.6	151	6.7	P1234	A	2EG J0957+5515 GEV J0956+5508 0954+556	em	a,e	0.901
						<	19.9	± 0.18	15	0.5	.6					
						<	11.6		18	0.4	4.0					
						<	11.2	3.9	31	3.5	18.0					
						<	16.7		17	0.9	40.0					
						<	14.8	9.0	8	2.1	216.0					
						<	14.9	8.8	9	2.1	218.0					
						<	37.4		14	1.1	222.0					
						<	11.5	4.5	29	3.0	227.0					
						<	10.1		30	1.3	228.0					
						<	6.8	2.6	37	3.0	227.+					
						<	47.2	15.5	24	4.1	319.0					
						<	17.8	11.2	9	2.1	319.5					
						<	36.1	9.9	36	4.8	319.+					
						<	20.2		21	1.0	322.0					
						<	23.7		11	1.1	326.0					
						<	23.9		21	1.4	418.0					
						<	6.5	2.5	40	3.0	P1					
						<	8.4	2.4	60	4.2	P2					
						<	19.1	5.0	48	4.7	P3					
						<	7.5	1.7	99	5.1	P12					
						<	15.8	4.1	55	4.7	P34					
3EG J0958+6533	149.62	65.56	145.78	43.11	0.34	<	15.4	3.0	99	6.3	227.+	A	2EG J0958+6537 0954+658	a,d,e	0.368	
						<	11.1	2.08	8	0.0	.6					
						<	20.4	± 0.24	17	1.2	4.0					
						<	5.1		22	0.0	18.0					
						<	18.1		28	1.3	22.0					
						<	18.0	9.4	15	2.3	216.0					
						<	22.4		5	0.0	222.0					
						<	14.6	4.3	45	4.2	227.0					
						<	15.5	4.2	52	4.4	228.0					
						<	13.0		14	0.0	319.0					
						<	19.0		16	0.3	319.5					
						<	10.0		19	0.0	319.+					

TABLE 4—Continued

Name	RA	Dec	l	b	θ_{95}	F	ΔF	γ	Counts	\sqrt{TS}	VP	ID	Other Name	Note	Ref	z			
3EG J1009+4855	152.29	48.93	166.87	51.99	0.75*	<	23.9		<	13	0.0	418.0							
						<	4.0		<	29	0.0	P1							
							14.0	2.7		110	6.2	P2							
							6.6	1.7		101	4.5	P12							
						<	11.9			32	0.7	P34							
							6.0	1.5		108	4.4	P1234							
							5.7	1.7		67	4.0	P12	a	1011+496?	em				
							12.9	7.8		9	2.0	.6						0.200	
							15.0			29	1.7	4.0							
							14.4			26	1.7	18.0							
							7.8	4.5		12	2.1	40.0							
							16.9			6	0.0	216.0							
						3EG J1013-5915	153.34	-59.25	283.93	-2.34	0.72	<	9.5		<	8	0.0	218.0	
<	18.7		<	9	0.0							222.0							
	10.4	4.9		19	2.5							227.0							
	6.8	3.8		15	2.0							228.0							
	8.0	3.0		33	3.1							227.+							
<	17.8			9	0.0							319.+							
<	9.3			16	0.0							322.0							
<	18.9			15	1.2							326.0							
<	20.3			21	1.6							418.0							
	6.9	2.3		41	3.5							P1							
	4.4	2.4		25	2.1							P2							
	6.1			18	0.0							P3							
3EG J1014-5705	153.54	-57.10	282.80	-0.51	0.67							<	7.3		<	29	0.8	P34	
							4.8	1.4		74	3.9	P1234							
							33.4	6.0		408	5.8	P1234							
							82.4	31.7		50	2.9	.7							
							79.2	24.3		64	3.7	6.0							
							45.5	18.7		63	2.6	8.0							
							31.8	11.9		100	2.8	14.0							
							58.4			42	1.1	17.0							
						<	76.7			24	0.0	32.0							
							54.7	20.2		63	3.0	230.+							
						<	56.5			29	0.0	301.0							
						<	55.1	23.3		51	2.6	314.0							
						<	64.9			32	0.2	315.0							
<	37.6	17.9		53	2.2	314.+													
<	71.2			82	1.4	338.5													
<	55.6			25	0.0	402.+													
<	76.0			42	0.7	415.0													
	34.2	7.9		238	4.6	P1													
	26.1	12.4		82	2.2	P3													
<	49.9			50	0.5	P4													
	39.6	7.4		321	5.8	P12													
<	30.6			127	1.1	P34													
	64.5	11.9		261	5.9	P34													
	94.0			62	1.3	.7													
													2EG J1021-5835	C	a				
													(partial)	em					
													2EG J1021-5835	C	a				
													(partial)	em					

TABLE 4—Continued

Name	RA	Dec	l	b	θ_{95}	F	ΔF	γ	Counts	\sqrt{TS}	VP	ID	Other Name	Note	Ref	z
3EG J1027-5817	156.90	-58.27	284.94	-0.52	0.37*	<	77.0		<	53	1.1	6.0				
						<	47.0		<	68	0.8	8.0				
						<	39.3	12.3	<	128	3.4	14.0				
						<	79.6		<	29	0.4	32.0				
						<	69.6		<	84	1.7	230.+				
						<	79.6	33.0		43	2.6	301.0				
						<	63.4	26.3		54	2.6	314.0				
						<	64.5		<	30	0.0	315.0				
						<	59.4		<	78	1.2	314.+				
						<	77.6	22.8		94	3.7	338.5				
						<	112.4		<	56	1.5	415.0				
						<	26.0	8.6		167	3.2	P1				
						<	54.5		<	66	1.0	P2				
							57.9	13.7		182	4.6	P3				
							63.7	24.3		57	2.9	P4				
							27.6	7.9		210	3.7	P12				
							34.0	6.5		397	5.5	P1234				
							65.9	7.0	1.94	749	10.3	P1234	2EG J1021-5835	C	a	
							66.1	33.8	± 0.09	39	2.1	.7	(partial)	em		
							68.7	28.5		46	2.6	6.0	GEV J1025-5809			
							81.1	22.3		100	4.0	8.0				
							41.9	12.2		141	3.7	14.0				
							118.9	41.8		43	3.2	32.0				
							59.2	22.5		66	2.8	230.+				
							115.8	36.7		54	3.6	301.0				
						<	158.0		<	13	0.0	303.0				
							57.6	23.6		56	2.7	314.0				
							135.2	33.9		73	4.7	315.0				
							95.2	19.5		144	5.5	314.+				
							98.0	25.2		102	4.3	338.5				
						<	96.3		<	19	0.3	402.0				
							87.3	45.0		24	2.2	402.5				
							64.9	31.5		31	2.3	402.+				
							73.3	36.2		33	2.2	415.0				
							57.4	9.3		356	6.7	P1				
							87.6	14.0		272	7.0	P3				
							68.1	23.9		64	3.1	P4				
							55.4	8.5		406	7.0	P12				
							88.5	12.2		358	8.1	P34				
3EG J1045-7630	161.34	-76.51	295.66	-15.45	0.96	<	13.5	3.1	2.52	119	4.9	P1234	2EGS J1050-7650	em	b	
							15.0	8.0	± 0.29	22	2.1	6.0		C		
							21.9	9.2		31	2.7	14.0				
						<	11.4	6.4		20	2.0	17.0				
							41.3	18.1		12	0.0	224.0				
						<	38.8	18.1		16	2.7	230.+				
						<	21.4			23	0.3	314.0				
						<	38.0	16.5		20	2.8	315.0				
						<	30.0			48	1.9	314.+				

TABLE 4—Continued

Name	RA	Dec	l	b	θ_{95}	F	ΔF	γ	Counts	\sqrt{TS}	VP	ID	Other Name	Note	Ref	z
3EG J1048-5840	162.14	-58.68	287.53	0.47	0.17	<	33.4		<	11	0.0	402.0				
						<	28.3	15.8	<	12	2.3	402.5				
						<	41.1		<	31	1.9	402.+				
						<	35.0		<	10	0.0	409.0				
						<	30.6		<	20	0.9	415.0				
							13.2	4.4		61	3.4	P1				
							24.6	10.2		21	2.9	P2				
							13.8	6.6		24	2.4	P4				
							15.6	4.1		86	4.4	P12				
							11.5	5.0		38	2.6	P34				
							61.8	6.7	1.97	640	10.2	P1234				
							73.9	33.8	± 0.09	37	2.4	.7				
							80.0	23.3		78	3.9	8.0				
							51.7	11.7		160	4.8	14.0				
						<	79.3		<	30	0.4	32.0				
							93.9	52.1		16	2.1	208.0				
							86.7	22.2		89	4.5	230.+				
							70.2	34.4		26	2.3	301.0				
							73.4	20.1		83	4.1	314.0				
							50.4	25.7		31	2.1	315.0				
							68.5	16.0		120	4.8	314.+				
							77.8	42.7		18	2.1	316.0				
							79.4	24.9		66	3.6	338.5				
						<	96.6		<	25	0.7	402.0				
							86.8	36.6		28	2.7	402.5				
							58.2	25.8		34	2.5	402.+				
							85.8	37.5		31	2.6	415.0				
							55.3	9.7		272	6.3	P1				
							76.8	19.9		92	4.4	P2				
							67.3	11.9		221	6.3	P3				
							64.4	21.6		61	3.4	P4				
							59.7	8.7		366	7.6	P12				
							69.5	10.5		294	7.4	P34				
							6.5	1.6		93	4.7	P12				
3EG J1052+5718	163.21	57.31	149.47	53.27	0.63*	<	15.5	2.51	<	14	0.0	.6				
						<	14.3	± 0.46	<	30	1.8	4.0				
						<	6.1		<	19	0.2	18.0				
						<	11.4		<	15	0.1	22.0				
						<	21.1		<	20	1.2	218.0				
							16.1	10.1		8	2.1	222.0				
							11.0	4.2		26	3.3	227.0				
							7.5	3.7		20	2.4	228.0				
							8.7	2.8		44	3.8	227.+				
						<	9.9		<	8	0.0	319.+				
						<	7.8		<	7	0.0	322.0				
						<	10.8		<	4	0.0	326.0				
						<	18.7		<	21	1.0	418.0				
						<	7.8		<	57	1.9	P1				
													2EG J1049-5847 GEV J1046-5840	C	a	
													2EG J1054+5736 1055+567?	em	aj	0.41(?)

TABLE 4—Continued

Name	RA	Dec	l	b	θ_{95}	F	ΔF	γ	Counts	\sqrt{TS}	VP	ID	Other Name	Note	Ref	z						
3EG J1058-5234	164.68	-52.57	286.14	6.58	0.25	8.9	2.4		63	4.5	P2											
						<	6.4	<	<	13	0.0	P3										
						<	6.5			21	0.0	P34										
							5.0	1.4		89	4.1	P1234										
							33.3	3.8	1.94	367	10.3	P1234	P	2EG J1059-5237	C	a						
							56.6	21.3	± 0.10	29	3.2	.7										
							39.6	14.1		39	3.3	8.0										
							52.7	16.9		37	3.9	12.0										
							26.7	7.4		76	4.2	14.0										
							45.3			28	1.6	32.0										
							92.3			22	1.3	208.0										
							44.8			8	0.0	217.0										
							61.0			19	0.7	215.+										
							38.4	12.8		40	3.6	230.+										
						3EG J1102-6103	165.60	-61.05	290.12	-0.92	0.61	43.7	20.9		18	2.5	301.0					
<	87.8		<	9	0.1							303.0										
	41.5	14.5		36	3.5							314.0										
	46.9	19.7		22	2.9							315.0										
	43.7	11.8		58	4.5							314.+										
	37.4	21.9		12	2.1							316.0										
	25.8	12.0		23	2.5							338.5										
	78.1	29.7		19	3.5							402.5										
	60.4	21.5		26	3.6							402.+										
<	93.3			26	1.7							424.0										
	30.5	5.3		173	6.7							P1										
	31.9	9.9		50	3.8							P2										
	36.8	7.4		113	6.0							P3										
	45.6	15.5		32	3.6							P4										
3EG J1103-6106	165.60	-61.05	290.12	-0.92	0.61							30.9	4.7		224	7.7	P12					
							40.5	6.8		153	7.2	P34										
							32.5	6.2	2.47	331	5.6	P1234										
							93.8	38.3	± 0.21	37	2.7	.7										
						<	66.2			51	1.1	8.0										
							40.5	11.6		120	3.8	14.0										
						<	99.2			31	0.9	32.0										
						<	123.8			23	0.8	208.0										
						<	80.3			73	2.0	230.+										
						<	80.3			24	0.4	301.0										
						<	39.1	17.4		52	2.4	314.0										
						<	45.3			32	0.1	315.0										
						<	29.3	13.6		59	2.3	314.+										
						<	66.7			18	0.0	316.0										
						<	44.6			30	0.0	338.5										
<	49.2			35	0.2	402.+																
<	110.6			38	1.2	415.0																
<	111.5			31	0.9	424.0																
<	44.2	9.8		196	4.9	P1																
<	67.4			73	1.7	P2																

2EG J1103-6106 @ a,q
MSH 11-62 SNR? C

TABLE 4—Continued

Name	RA	Dec	l	b	θ_{95}	F	ΔF	γ	Counts	\sqrt{TS}	VP	ID	Other Name	Note	Ref	z
						<	26.8		<	16	1.2					
						<	30.4	10.9		18	4.0					
						<	40.1			10	0.4					
						<	35.4			22	1.0		virgo3b			
						<	11.1			19	0.0		405.0			
						<	34.1			13	1.0		407.0			
						<	15.9			11	0.0		408.0			
						<	7.2			21	0.0		virgo4			
						<	5.6			30	0.0		P1			
						<	13.4			52	1.8		P2			
						<	14.8	4.6		39	3.9		P3			
						<	6.4			59	1.0		P12			
						<	7.8	2.9		42	3.1		P34			
						<	4.1	1.7		59	2.6		P1234			
3EG J1222+2315	185.61	23.26	241.87	82.39	0.82	<	11.1	2.9	—	61	4.8		P1			
						<	13.2	5.2	—	25	3.2		3.0			
						<	16.0	5.6		31	3.6		4.0			
						<	10.2			16	0.1		11.0			
						<	13.4			4	0.0		206.0			
						<	15.3			17	0.0		virgo2			
						<	16.3			12	0.0		218.0			
						<	21.4			11	0.0		304.0			
						<	21.7			11	0.1		305.0			
						<	16.5			9	0.0		307.0			
						<	13.3			4	0.0		308.0			
						<	4.7			4	0.0		308.6			
						<	5.6			17	0.0		virgo3a			
						<	16.0			11	0.0		312.0			
						<	14.6			12	0.0		313.0			
						<	8.6			17	0.0		virgo3b			
						<	10.4			8	0.0		322.0			
						<	14.9			20	0.7		virgo4			
						<	11.5			27	0.4		P2			
						<	4.2			26	0.0		P3			
						<	27.5			32	1.9		P4			
						<	9.0	2.4		71	4.4		P12			
						<	4.2			31	0.0		P34			
						<	5.7			87	1.8		P1234			
3EG J1222+2841	185.75	28.70	197.27	83.52	0.29	<	11.5	1.8	1.73	151	7.7	A	2EGS J1222+2821	@	b ₁ ,d,e	0.102
						<	10.1	± 0.18		12	0.0		P1234	C		
						<	10.8	3.9		29	3.5		4.0			
						<	12.5			13	0.0		11.0			
						<	33.5	16.9		9	2.8		204.0			
						<	55.6			11	0.8		206.0			
						<	23.4	10.7		16	2.8		virgo2			
						<	13.7	6.9		14	2.5		218.0			
						<	17.5			10	0.2		222.0			
						<	47.5			16	1.4		304.0			

TABLE 4—Continued

Name	RA	Dec	l	b	θ_{95}	F	ΔF	γ	Counts	\sqrt{TS}	VP	ID	Other Name	Note	Ref	z	
						<	40.5		<	13	1.2						
						<	31.1		<	13	1.2						
						<	22.2		<	5	0.0						
							28.1	9.4		19	4.3						
						<	15.4	4.7		33	4.2		virgo3a				
						<	52.5		<	12	1.2						
						<	22.1		<	11	0.0						
							30.9	12.1		21	3.1						
							17.4	6.9		28	3.1		virgo3b				
							12.2	7.0		11	2.2						
							32.0	13.0		14	3.6						
						<	28.2		<	7	0.2						
							53.6	14.1		37	5.3						
							6.9	2.6		34	3.1		P1				
							9.4	4.2		22	2.7		P2				
							13.7	3.2		67	5.4		P3				
							33.6	10.2		32	4.5		P4				
							7.7	2.2		57	4.2		P12				
							15.7	3.1		92	6.4		P34				
3EG J1224+2118	186.11	21.31	254.91	81.53	0.29		13.9	1.8	2.28	225	9.3	A	2EG J1224+2155	C	a,d,e	0.435	
							10.8	4.8	± 0.13	23	2.7		1222+216				
							13.6	6.5		23	2.5						
						<	9.7		<	18	0.0						
						<	48.1	15.3	<	25	4.4						
						<	47.2		<	22	1.6						
						<	26.9		<	10	0.4						
							28.2	7.9		39	4.6		virgo2				
							24.9	11.2		16	2.8						
						<	36.2		<	13	0.5						
							22.4	10.3		13	2.8						
							20.7	10.3		12	2.5						
							25.7	14.3		8	2.6						
						<	13.7		<	8	0.0						
						<	13.6		<	4	0.0						
							13.8	6.5		13	2.8						
							11.5	3.6		38	3.9		virgo3a				
						<	33.8		<	7	0.0						
							44.0	17.6		14	3.6						
							25.9	10.3		20	3.2						
							20.8	8.0		18	3.5						
							24.8	5.6		54	5.8		virgo3b				
						<	15.2		<	9	0.0						
						<	56.6		<	17	1.7						
						<	41.3		<	21	1.8						
						<	14.2		<	6	0.0						
						<	22.2		<	10	0.0						
						<	26.8		<	6	0.0						
						<	11.9		<	19	0.2						

TABLE 4—Continued

Name	RA	Dec	l	b	θ_{95}	F	ΔF	γ	Counts	\sqrt{TS}	VP	ID	Other Name	Note	Ref	z
						<	36.0		<	13	418.0					
						6.9	2.9		39	2.6	P1					
						25.0	5.9		58	5.4	P2					
						15.4	2.8		97	6.9	P3					
						<	11.6		<	22	0.5	P4				
						11.5	2.7		91	5.0	P12					
						13.0	2.4		107	6.7	P34					
3EG J1227+4302	186.76	43.04	138.63	73.33	0.99	21.7	7.1	—	27	4.2	418.0			C		
						23.1		—	8	0.0	.6					
						5.4			20	0.0	4.0					
						8.0			12	0.0	218.0					
						18.9			16	1.2	222.0					
						18.6			5	0.0	313.0					
						17.4			14	0.4	322.0					
						23.2			9	0.0	326.0					
						4.7			19	0.0	P1					
						6.7			16	0.0	P2					
						9.4			13	0.0	P3					
						3.5			23	0.0	P12					
						10.2	4.0		27	3.1	P34					
						4.6			42	0.9	P1234					
3EG J1229+0210	187.25	2.17	289.84	64.47	0.32	15.4	1.8	2.58	337	10.1	P1234	A	2EG J1229+0206	C	a,d,e	0.158
						17.1	4.2	± 0.09	70	4.9	3.0		1226+023			
						9.5			36	0.4	11.0		3C 273			
						12.6			15	0.0	204.0					
						14.4	7.3		17	2.3	205.0					
						32.7			31	1.6	206.0					
						8.5	4.2		28	2.3	virgo2					
						24.0	10.1		20	3.1	304.0					
						20.5	8.1		22	3.3	305.0					
						18.0	9.3		14	2.4	306.0					
						31.1	11.9		21	3.5	307.0					
						52.0			15	1.2	308.0					
						48.3	11.8		41	5.6	308.6					
						27.8	4.4		125	8.4	virgo3a					
						34.4			7	0.0	311.0					
						53.6			16	1.1	311.6					
						19.9	9.3		18	2.6	312.0					
						18.8	10.5		12	2.2	313.0					
						17.2	6.0		35	3.4	virgo3b					
						21.6			41	2.0	405.0					
						39.3	13.5		23	4.0	406.0					
						20.3	10.4		16	2.3	407.0					
						18.1			14	0.0	408.0					
						13.3	4.2		54	3.8	virgo4					
						11.5	2.9		92	4.5	P1					
						23.8	3.5		155	8.6	P3					
						10.4	2.4		117	4.9	P12					

TABLE 4—Continued

Name	RA	Dec	l	b	θ_{95}	F	ΔF	γ	Counts	\sqrt{FS}	VP	ID	Other Name	Note	Ref	z
	<	<	<	<	<	19.5			<	24	0.9	204.0				
	<	<	<	<	<	12.8			<	15	0.0	205.0				
	<	<	<	<	<	25.3			<	24	1.1	206.0				
	<	<	<	<	<	12.3			<	41	1.2	virgo2				
	<	<	<	<	<	18.1			<	15	0.0	304.0				
	<	<	<	<	<	16.3			<	16	0.0	305.0				
	<	<	<	<	<	18.9			<	14	0.0	306.0				
	<	<	<	<	<	8.5			<	37	0.2	virgo3a				
	<	<	<	<	<	16.3	9.0		<	14	2.1	312.0				
	<	<	<	<	<	10.7	5.7		<	22	2.1	virgo3b				
	<	<	<	<	<	11.3	5.6		<	22	2.4	405.0				
	<	<	<	<	<	22.1			<	14	0.0	406.0				
	<	<	<	<	<	14.6	8.2		<	12	2.2	408.0				
	<	<	<	<	<	8.5	3.7		<	36	2.6	virgo4				
	<	<	<	<	<	9.3	2.8		<	75	3.7	P1				
	<	<	<	<	<	11.0			<	71	1.6	P3				
	<	<	<	<	<	7.8	2.3		<	88	3.8	P12				
	<	<	<	<	<	6.0	2.4		<	64	2.7	P34				
3EG J1236+0457	188.91	4.97	292.59	67.52	1.00	6.5	1.5	2.48	143	4.7	P1234	a	2EG J1239+0441 1237+0459?	C	a,j,u	
	<	<	<	<	<	6.4		± 0.46	<	27	0.0	3.0				
	<	<	<	<	<	9.0			<	33	0.3	11.0				
	<	<	<	<	<	15.0			<	17	0.0	205.0				
	<	<	<	<	<	13.2			<	42	1.2	virgo2				
	<	<	<	<	<	21.2			<	17	0.6	304.0				
	<	<	<	<	<	18.7			<	18	0.2	305.0				
	<	<	<	<	<	21.3			<	15	0.8	306.0				
	<	<	<	<	<	20.1			<	13	0.0	307.0				
	<	<	<	<	<	27.8			<	8	0.0	308.0				
	<	<	<	<	<	16.7			<	16	0.0	308.6				
	<	<	<	<	<	12.4			<	55	1.8	virgo3a				
	<	<	<	<	<	16.9			<	16	0.0	312.0				
	<	<	<	<	<	21.9			<	16	0.6	313.0				
	<	<	<	<	<	9.4			<	21	0.0	virgo3b				
	<	<	<	<	<	19.0			<	33	1.6	405.0				
	<	<	<	<	<	15.2	8.6		<	14	2.1	407.0				
	<	<	<	<	<	13.8	8.3		<	10	2.1	408.0				
	<	<	<	<	<	8.7	3.6		<	36	2.8	virgo4				
	<	<	<	<	<	9.1			<	61	1.5	P3				
	<	<	<	<	<	6.9			<	78	1.3	P12				
	<	<	<	<	<	6.2	2.1		<	67	3.2	P34				
3EG J1246-0651	191.75	-6.86	300.96	55.99	0.80	9.8	2.1	2.73	193	5.2	P1234	A	1243-072	em		1.286
	<	<	<	<	<	17.1	6.8	± 0.17	60	2.7	3.0			C		
	<	<	<	<	<	12.9	5.4		41	2.7	11.0					
	<	<	<	<	<	13.2	7.6		15	2.0	204.0					
	<	<	<	<	<	11.7			13	0.0	205.0					
	<	<	<	<	<	20.6			18	0.7	206.0					
	<	<	<	<	<	13.0			41	1.4	virgo2					
	<	<	<	<	<	19.7	10.0		15	2.4	207.0					

TABLE 4—Continued

Name	RA	Dec	l	b	θ_{95}	F	ΔF	γ	Counts	\sqrt{TS}	VP	ID	Other Name	Note	Ref	z
<	<	<	<	<	<	30.0			<	17	0.7		304.0			
<	<	<	<	<	<	18.7			<	15	0.0		305.0			
<	<	<	<	<	<	30.3			<	20	0.8		306.0			
<	<	<	<	<	<	39.9			<	15	0.6		307.0			
<	<	<	<	<	<	58.2			<	9	0.0		308.0			
<	<	<	<	<	<	38.2			<	19	1.0		308.6			
<	<	<	<	<	<	13.9			<	42	1.1	virgo3a				
<	<	<	<	<	<	44.1	29.6		<	6	2.0	311.0				
<	<	<	<	<	<	54.6			<	10	0.4	311.6				
<	<	<	<	<	<	34.9			<	19	1.0	312.0				
<	<	<	<	<	<	30.7			<	11	0.0	313.0				
<	<	<	<	<	<	26.5			<	32	1.5	virgo3b				
<	<	<	<	<	<	15.3			<	36	0.9	405.0				
<	<	<	<	<	<	14.5			<	8	0.0	406.0				
<	<	<	<	<	<	13.4	7.6		<	14	2.1	407.0				
<	<	<	<	<	<	22.5			<	21	1.1	408.0				
<	<	<	<	<	<	11.5			<	56	1.6	virgo4				
<	<	<	<	<	<	14.3	4.4		<	96	3.5	P1				
<	<	<	<	<	<	7.5	3.7		<	29	2.3	P2				
<	<	<	<	<	<	14.0			<	60	1.7	P3				
<	<	<	<	<	<	12.7	3.2		<	135	4.4	P12				
<	<	<	<	<	<	6.0	2.5		<	55	2.6	P34				
<	<	<	<	<	<	19.9	4.4	2.14	<	86	5.5	P12				
<	<	<	<	<	<	23.3		± 0.27	<	26	1.0	6.0				
3EG J1249-8330	192.26	-83.50	302.86	-20.63	0.66	36.3	12.2		<	31	3.7	14.0		2EG J1248-8308	C	a
<	<	<	<	<	<	28.8	7.6		<	47	4.9	17.0				
<	<	<	<	<	<	30.1			<	5	0.0	38.0				
<	<	<	<	<	<	33.9			<	17	1.0	224.0				
<	<	<	<	<	<	16.0			<	15	0.0	314.0				
<	<	<	<	<	<	18.4			<	26	0.6	314.+				
<	<	<	<	<	<	30.0			<	21	0.8	402.+				
<	<	<	<	<	<	26.5			<	12	0.0	415.0				
<	<	<	<	<	<	21.3	5.0		<	76	5.2	P1				
<	<	<	<	<	<	29.5			<	22	1.3	P2				
<	<	<	<	<	<	23.4			<	27	0.8	P4				
<	<	<	<	<	<	18.9			<	48	1.5	P34				
<	<	<	<	<	<	10.8	3.2		<	74	3.8	P1234				
3EG J1255-0549	193.98	-5.82	304.98	57.03	0.08	179.7	6.7	1.96	<	1220	42.2	P1	A	2EG J1256-0546	C	a,d,e
<	<	<	<	<	<	267.3	10.7	± 0.04	<	967	41.7	3.0		GEV J1256-0546		
<	<	<	<	<	<	79.4	7.5		<	255	15.1	11.0		1253-055		
<	<	<	<	<	<	18.7			<	21	0.8	204.0		3C 279		
<	<	<	<	<	<	12.3	6.9		<	13	2.1	205.0				
<	<	<	<	<	<	29.5			<	25	1.6	206.0				
<	<	<	<	<	<	9.3	4.1		<	29	2.6	virgo2				
<	<	<	<	<	<	19.3			<	15	0.4	207.0				
<	<	<	<	<	<	21.7	11.8		<	12	2.3	304.0				
<	<	<	<	<	<	52.6	12.2		<	40	6.0	305.0				
<	<	<	<	<	<	41.2	13.7		<	25	4.0	306.0				

TABLE 4—Continued

Name	RA	^h Dec	l	b	θ_{95}	F	ΔF	γ	Counts	\sqrt{TS}	VP	ID	Other Name	Note	Ref	z
						<	20.1		<	1.5	407.0					
						13.2	7.3		12	2.3	408.0					
						6.6	2.9		36	2.6	virgo4					
						11.9	3.7		77	3.5	P1					
						<	12.4		<	4.5	P2					
						<	12.0		<	4.5	P3					
						9.3	2.7		95	3.9	P12					
						6.0	2.3		56	2.9	P34					
3EG J1314-3431	198.51	-34.52	308.21	28.12	0.56	18.7	3.1	2.28	160	7.1	P12	a	2EG J1314-3430	em	a,d	1.210
						16.2	5.3	± 0.19	48	3.6	12.0		1313-333?			
						31.8	19.0		11	2.1	23.0					
						24.6	6.2		64	4.9	207.0					
						27.9			22	1.1	208.0					
						23.5	11.8		16	2.4	215.0					
						32.6			28	1.8	217.0					
						19.0	7.3		29	3.1	215.+					
						<	22.5		8	0.0	314.0					
						<	24.8		6	0.0	315.0.					
						<	17.4		10	0.0	314.+					
						<	20.6		25	1.1	316.0					
						<	22.9		12	0.0	405.0					
						<	45.1		10	0.7	408.0					
						<	21.6		19	0.6	virgo4					
						<	24.0		28	1.4	424.0					
						<	19.1	4.9	70	4.7	P1					
						<	18.6	4.1	92	5.4	P2					
						<	13.6		25	0.7	P3					
						<	19.0		36	1.7	P4					
						<	13.3		49	1.8	P34					
						<	14.6	2.5	180	7.0	P1234					
3EG J1316-5244	199.24	-52.75	306.85	9.93	0.50*	16.0	3.1	2.54	215	5.7	P1234			em		
						<	15.2	± 0.18	36	0.4	12.0					
						<	31.7	11.9	36	3.1	14.0					
						<	54.3		44	2.0	23.0					
						<	76.9		26	1.3	27.0					
						<	62.3		16	0.5	32.0					
						<	41.8	12.6	45	4.1	207.0					
						<	25.8		17	0.1	208.0					
						<	23.6		26	0.3	215.+					
						<	67.1	37.2	14	2.1	230.+					
						<	20.5		32	0.5	314.0					
						<	25.7	13.0	21	2.3	315.0					
						<	23.5	7.6	55	3.6	314.+					
						<	38.1		42	1.7	316.0					
						<	27.8	12.5	27	2.6	402.+					
						<	22.7		25	0.3	424.0					
						<	16.1	5.3	80	3.4	P1					
						<	14.4	6.5	42	2.4	P2					

TABLE 4—Continued

Name	RA	Dec	l	b	θ_{95}	F	ΔF	γ	Counts	\sqrt{FS}	VP	ID	Other Name	Note	Ref	z	
						16.7			<	25	0.5						316.0
						38.4	21.1		<	11	2.3						402.0
						37.8	19.3			10	2.8						402.5
						39.4	14.5			22	3.7						402.+
						16.0			<	22	0.3						424.0
						12.1	4.6			54	3.0						P1
						15.1	4.5			68	3.9						P2
						10.2	5.1			29	2.2						P3
						16.3	6.4			31	3.0						P4
						14.2	3.2			127	5.0						P12
						13.0	4.0			62	3.7						P34
3EG J1329+1708	202.39	17.14	346.29	76.68	0.73*	9.4	2.7	2.41		61	4.2	A	2EG J1330+1652	em	a.e	2.084	
						13.3	4.8	± 0.47		31	3.4		1331+170	C			
						18.8			<	34	2.0						11.0
						18.6			<	14	0.1						24.+
						37.7			<	7	0.0						25.0
						17.9			<	10	0.0						204.0
						29.9			<	14	1.0						205.0
						21.4	12.6		<	9	2.3						206.0
						19.3			<	28	1.7		virgo2				virgo2
						30.1			<	11	0.2		304.0				304.0
						26.7			<	9	0.1		305.0				305.0
						30.4			<	10	0.5		307.0				307.0
						48.0			<	11	1.4		308.0				308.0
						20.9			<	16	0.7		308.6				308.6
						12.6			<	28	1.0		virgo3a				virgo3a
						45.8			<	8	0.2		311.0				311.0
						33.1	19.3		<	8	2.4		311.6				311.6
						23.7			<	13	0.4		312.0				312.0
						14.4			<	10	0.0		313.0				313.0
						15.5			<	25	1.1		virgo3b				virgo3b
						27.2			<	21	1.6		405.0				405.0
						9.3			<	9	0.0		406.0				406.0
						11.1			<	13	0.0		407.0				407.0
						25.9			<	8	0.0		408.0				408.0
						7.0			<	23	0.2		virgo4				virgo4
						10.6	3.1		<	53	4.0		P1				P1
						10.3			<	39	1.4		P3				P3
						6.7			<	47	1.2		P34				P34
						4.4	1.6		<	60	3.1		P1234				P1234
3EG J1329-4602	202.41	-46.04	309.83	16.32	0.92	9.1	2.4	2.67		131	4.2		P1234				P1234
						18.2		± 0.27	<	55	1.5		12.0				12.0
						28.9	11.7		<	23	3.1		14.0				14.0
						40.0			<	31	1.3		23.0				23.0
						26.2			<	9	0.0		27.0				27.0
						42.6			<	12	0.0		32.0				32.0
						13.6	7.0		<	25	2.2		207.0				207.0
						21.1			<	18	0.0		208.0				208.0

TABLE 4—Continued

Name	RA	Dec	l	b	θ_{95}	F	ΔF	γ	Counts	\sqrt{TS}	VP	ID	Other Name	Note	Ref	z
						<	23.8		<	35	215.+					
						<	17.3	9.3	<	18	314.0					
						<	36.5		<	21	315.0					
							13.9	7.4		23	314.+					
							14.2	7.8		19	316.0					
							31.3	17.7		11	402.0					
						<	48.1		<	16	402.5					
						<	22.7	11.9	<	16	402.+					
						<	15.2		<	20	424.0					
							9.6	4.1		49	P1					
							9.8	4.6		40	P2					
							14.8		<	30	P4					
							9.0	3.0		84	P12					
							8.6	3.9		43	P34					
3EG J1337+5029	204.38	50.48	105.40	65.04	0.72	<	9.2	2.6	1.83	54	4.4	P1234		C		
						<	22.4	± 0.29	<	6	0.0	.6				
						<	6.5	3.7	<	13	2.1	4.0				
						<	12.3		<	22	0.8	22.0				
							16.0	7.8		14	2.7	218.0				
							26.8	12.9		11	2.8	222.0				
							14.0	8.4		9	2.2	418.0				
						<	10.5		<	42	1.9	P1				
							19.3	6.8		25	3.8	P2				
							13.7	8.5		8	2.1	P4				
							7.8	2.6		41	3.6	P12				
3EG J1339-1419	204.84	-14.32	320.07	46.95	1.14	<	11.8	3.4	2.62	62	4.1	P34	A 1334-127	em		0.539
						<	20.9	± 0.42	<	37	1.7	3.0				
						<	10.8		<	16	0.0	11.0				
						<	20.9		<	21	0.8	12.0				
						<	20.2	11.6	<	12	2.1	204.0				
						<	19.2		<	10	0.0	205.0				
						<	28.4		<	13	0.0	206.0				
						<	22.1		<	35	1.5	virgo2				
						<	9.3		<	18	0.0	207.0				
						<	15.5	8.5	<	15	2.2	virgo3a				
						<	27.0		<	10	0.0	virgo3b				
						<	21.0		<	40	1.9	405.0				
						<	26.1		<	26	1.4	407.0				
						<	17.7	9.0	<	13	2.4	408.0				
						<	11.8	3.9	<	48	3.5	virgo4				
						<	10.0		<	42	1.0	P1				
						<	7.8		<	33	0.4	P2				
							14.0	7.9		13	2.2	P3				
							11.4	3.8		49	3.5	P4				
						<	6.5		<	55	0.9	P12				
							5.5	1.9		76	3.2	P1234				
3EG J1347+2932	206.80	29.54	47.31	77.50	0.95	<	21.0	6.8	2.51	24	4.2	4.0	2EG J1346+2942	C	a	
						<	25.1	± 0.61	<	8	0.6	24.0				

TABLE 4—Continued

Name	RA	'Dec	l	b	θ_{95}	F	ΔF	γ	Counts	\sqrt{TS}	VP	ID	Other Name	Note	Ref	z
						<	23.6		<	7	0.0	24.5				
						<	15.9		<	10	0.2	24.+				
						<	15.7		<	7	0.0	313.0				
						<	14.0		<	12	0.0	virgo3b				
						<	19.5		<	8	0.3	406.0				
						<	27.2		<	13	0.9	407.0				
						<	15.2	5.2	<	27	3.8	P1				
						<	75.0		<	54	1.2	P2				
						<	18.6		<	25	1.7	P3				
						<	16.0		<	14	0.5	P4				
						<	13.2	4.4	<	33	3.8	P12				
						<	13.5		<	30	1.5	P34				
						<	9.6	2.9	<	45	4.0	P1234				
3EG J1409-0745	212.42	-7.75	334.23	50.30	0.29	<	97.6	9.1	2.29	215	16.2	P2	2EG J1409-0742		a,d,e	1.494
						<	10.4	± 0.11	± 0.11	16	0.0	3.0	GEV J1409-0741			
						<	12.8	6.9	<	16	2.2	11.0	1406-076			
						<	38.4		<	13	1.0	24.0				
						<	65.3	20.9	<	24	4.2	24.5				
						<	28.7	11.6	<	21	3.1	24.+				
						<	37.0	15.4	<	18	3.0	25.0				
						<	70.2	17.4	<	31	5.9	204.0				
						<	128.4	23.4	<	52	8.6	205.0				
						<	92.5	22.6	<	29	6.5	206.0				
						<	97.6	12.3	<	113	12.3	virgo2				
						<	111.8	14.2	<	117	11.8	207.0				
						<	37.0		<	6	0.0	308.6				
						<	20.5		<	11	0.0	339.0				
						<	15.8		<	22	0.9	405.0				
						<	30.8		<	21	1.4	406.0				
						<	14.6		<	22	1.0	407.0				
						<	21.2		<	12	0.0	408.0				
						<	10.8		<	45	1.6	virgo4				
						<	10.4	3.9	<	41	3.0	P1				
						<	26.2		<	14	0.4	P3				
						<	45.0	4.3	<	277	14.4	P12				
						<	10.6		<	50	1.7	P34				
						<	27.4	2.8	<	297	12.7	P1234				
3EG J1410-6147	212.73	-61.73	312.18	-0.35	0.36	<	64.2	8.8	2.12	641	7.8	P1234	2EG J1412-6211	@	a,q	
						<	122.5	28.5	± 0.14	152	4.7	12.0	G312.4-0.4 SNR?	C		
						<	92.0	30.3		73	3.3	14.0				
						<	96.6	26.3		109	4.0	23.0				
						<	143.7	38.2		82	4.3	27.0				
						<	152.4		<	48	1.2	208.0				
						<	98.7		<	32	0.0	217.0				
						<	115.7		<	62	1.1	215.+				
						<	59.9	20.9		104	3.0	314.0				
						<	61.9	29.1		55	2.3	315.0				
						<	58.3	17.0		153	3.6	314.+				

TABLE 4—Continued

Name	RA	'Dec	l	b	θ_{95}	F	ΔF	γ	Counts	\sqrt{TS}	VP	ID	Other Name	Note	Ref	z
						<	21.3		<	14	0.0	208.0				
							15.3	8.6		20	2.0	215.+				
						<	55.3	16.3		37	4.4	314.0				
						<	68.3			25	2.0	315.0				
							42.9	11.7		44	4.6	314.+				
							22.3	9.6		25	2.7	316.0				
						<	41.1			10	0.0	336.5				
						<	57.1			27	1.6	402.+				
						<	68.4			24	1.9	423.5				
							32.5	10.4		39	3.7	424.0				
						<	14.3			60	1.5	P1				
						<	13.3			50	1.0	P2				
							28.0	7.1		67	4.7	P3				
							29.8	7.8		60	4.6	P4				
						<	11.4			92	1.9	P12				
							11.9	2.7		148	5.0	P1234				
3EG J1447-3936	221.95	-39.61	326.12	17.96	0.87		11.0	2.7		125	4.5	P1234		em		
						<	21.8	± 0.34		47	1.6	12.0.		C		
						<	15.6			15	0.0	23.0				
						<	24.8			19	0.1	27.0				
						<	19.1			31	0.7	207.0				
						<	30.1			19	0.5	217.0				
						<	31.2			22	0.9	314.+				
							21.8	10.0		19	2.7	316.0				
						<	31.3			10	0.0	336.5				
						<	31.5			11	0.0	402.+				
						<	30.5			30	1.2	424.0				
						<	15.6			60	1.6	P1				
						<	9.4			35	0.2	P2				
							15.3	6.5		30	2.7	P3				
						<	22.2			41	1.4	P4				
						<	12.2			93	1.9	P12				
							13.2	4.7		50	3.2	P34				
							18.2	5.0		53	4.3	P1				
							37.1	12.0	2.67	28	4.0	12.0				
							10.3	± 0.43		18	2.0	16.0				
							28.4	14.6		10	2.5	25.0				
						<	14.0			17	0.0	207.0				
						<	23.2			6	0.0	217.0				
						<	26.9			12	0.0	215.+				
						<	15.5			10	0.0	339.0				
						<	26.5			11	0.0	407.0				
						<	39.8			17	1.2	423.5				
						<	27.9			8	0.0	424.0				
						<	11.7			21	0.0	P2				
						<	21.5			24	1.0	P4				
						<	10.7	3.7		50	3.2	P12				
						<	10.5			19	0.0	P34				
3EG J1457-1903	224.42	-19.06	339.88	34.60	0.76								2EG J1457-1916	C	a	

TABLE 4—Continued

Name	RA	Dec	l	b	θ_{95}	F	ΔF	γ	Counts	\sqrt{TS}	VP	ID	Other Name	Note	Ref	z
	<	<	<	<	<	17.3			<	1.4	16.0					
	<	<	<	<	<	37.9			<	0.1	23.0					
	<	<	<	<	<	33.5			<	0.3	27.0					
	<	<	<	<	<	14.7			<	0.0	207.0					
	<	<	<	<	<	34.9			<	1.0	215.+					
	<	<	<	<	<	42.5			<	0.4	226.0					
	<	<	<	<	<	46.0			<	1.3	232.0					
						32.7	19.1		12	2.1	302.3					
						37.2	18.3		13	2.7	316.0					
	<	<	<	<	<	53.3			<	0.6	336.5					
	<	<	<	<	<	24.2	13.0		12	2.3	339.0					
	<	<	<	<	<	21.0			14	0.0	423.5					
	<	<	<	<	<	51.6			17	0.6	424.0					
	<	<	<	<	<	12.5			<	1.2	P1					
	<	<	<	<	<	18.3			54	1.6	P2					
	<	<	<	<	<	19.8			20	0.0	P4					
	<	<	<	<	<	11.9			80	1.9	P12					
	<	<	<	<	<	18.5	6.1		45	3.5	P34					
						8.4	2.8		77	3.3	P1234					
3EG J1527-2358	231.91	-23.97	342.97	26.50	1.21*	94.4	28.3	2.67	24	4.7	25.0		2EG J1528-2352	em	a	
	<	<	<	<	<	17.4		± 0.99	11	0.0	12.0			C		
	<	<	<	<	<	14.9			39	1.0	16.0					
	<	<	<	<	<	26.3			10	0.1	27.0					
	<	<	<	<	<	12.1			11	0.0	207.0					
	<	<	<	<	<	44.1			6	0.0	210.0					
	<	<	<	<	<	56.2			9	0.0	214.0					
	<	<	<	<	<	32.2			12	0.0	215.+					
	<	<	<	<	<	50.3			7	0.0	219.0					
	<	<	<	<	<	37.2	17.8		17	2.6	226.0					
	<	<	<	<	<	25.6			14	0.0	232.0					
	<	<	<	<	<	33.2			15	0.1	302.3					
	<	<	<	<	<	62.2			17	1.2	336.5					
	<	<	<	<	<	23.9			14	0.0	339.0					
	<	<	<	<	<	24.5			10	0.0	421.+					
	<	<	<	<	<	19.0			13	0.0	423.5					
	<	<	<	<	<	83.3			21	1.7	424.0					
	<	<	<	<	<	13.3			52	1.4	P1					
	<	<	<	<	<	9.6			28	0.0	P2					
	<	<	<	<	<	19.1			24	0.3	P3					
	<	<	<	<	<	15.7			19	0.0	P4					
	<	<	<	<	<	8.6			59	0.9	P12					
	<	<	<	<	<	11.2			28	0.0	P34					
	<	<	<	<	<	6.7			62	0.6	P1234					
3EG J1600-0351	240.22	-3.86	6.30	34.81	0.86	58.4	19.9	2.65	22	4.1	302.3					C
	<	<	<	<	<	12.5		± 0.59	38	0.5	16.0					
	<	<	<	<	<	28.9			12	0.0	24.0					
	<	<	<	<	<	58.9			24	1.8	24.5					
	<	<	<	<	<	30.5			24	1.0	24.+					

TABLE 4—Continued

Name	RA	'Dec	l	b	θ_{95}	F	ΔF	γ	Counts	\sqrt{TS}	VP	ID	Other Name	Note	Ref	z
	<	<	<	<	<	9.9			<	8	0.0	25.0				
	<	<	<	<	<	66.4			<	10	0.3	229.+				
	<	<	<	<	<	16.0			<	22	0.1	339.0				
	<	<	<	<	<	46.4			<	9	0.3	423.5				
	<	<	<	<	<	7.5			<	34	0.0	P1				
	<	<	<	<	<	22.7			<	40	1.5	P3				
	<	<	<	<	<	7.5			<	36	0.0	P12				
	<	<	<	<	<	21.4			<	42	1.5	P34				
	<	<	<	<	<	9.9			<	67	1.2	P1234				
3EG J1605+1553	241.30	15.89	29.18	43.84	0.77	42.0	12.3	2.06	29	4.7	25.0	A	2EG J1605+1558 1604+159 4C +15.54	C	a,d,e	0.357
	<	<	<	<	<	38.7		± 0.41	<	35	1.9	9.2				
	<	<	<	<	<	14.3			<	15	0.4	24.+				
	<	<	<	<	<	31.5			<	8	0.0	201.0				
	<	<	<	<	<	17.1	9.2		<	13	2.3	339.0				
	<	<	<	<	<	49.9			<	5	0.0	403.0				
	<	<	<	<	<	14.4	5.0		<	38	3.5	P1				
	<	<	<	<	<	12.3	4.7		<	35	3.1	P12				
	<	<	<	<	<	31.2			<	26	1.9	P34				
	<	<	<	<	<	12.8	4.1		<	48	3.7	P1234				
3EG J1607-1101	241.89	-11.02	0.91	29.05	1.27	90.3	29.9	—	23	4.1	229.+					
	<	<	<	<	<	8.0		—	<	32	0.0	16.0				em
	<	<	<	<	<	27.7			<	6	0.0	24.0				C
	<	<	<	<	<	29.4			<	12	0.0	24.+				
	<	<	<	<	<	25.0			<	14	0.1	25.0				
	<	<	<	<	<	61.3			<	8	0.2	210.0				
	<	<	<	<	<	71.8			<	12	0.0	214.0				
	<	<	<	<	<	48.8			<	5	0.0	219.0				
	<	<	<	<	<	35.1			<	16	0.3	226.0				
	<	<	<	<	<	27.9			<	15	0.0	223.+				
	<	<	<	<	<	20.7			<	14	0.0	302.3				
	<	<	<	<	<	36.3			<	11	0.0	324.0				
	<	<	<	<	<	15.7			<	18	0.0	339.0				
	<	<	<	<	<	63.1			<	7	0.0	421.0				
	<	<	<	<	<	39.7			<	6	0.0	422.0				
	<	<	<	<	<	76.7			<	14	1.4	423.0				
	<	<	<	<	<	28.2			<	12	0.1	421.+				
	<	<	<	<	<	35.5			<	13	0.0	423.5				
	<	<	<	<	<	7.0			<	34	0.0	P1				
	<	<	<	<	<	20.7	9.9		<	25	2.4	P2				
	<	<	<	<	<	10.8			<	23	0.0	P3				
	<	<	<	<	<	17.2			<	14	0.0	P4				
	<	<	<	<	<	8.5			<	52	0.5	P12				
	<	<	<	<	<	8.8			<	26	0.0	P34				
	<	<	<	<	<	5.3			<	48	0.0	P1234				
3EG J1608+1055	242.12	10.93	23.51	41.05	0.63	34.9	5.6	2.63	118	7.9	P1	A	2EG J1608+1046 1606+106 4C +10.45	a,d,e	1.226	
	<	<	<	<	<	30.6		± 0.24	<	17	0.5	9.2				
	<	<	<	<	<	62.4	13.0		<	66	6.4	16.0				
	<	<	<	<	<	25.3	13.8		<	13	2.3	24.0				

TABLE 4—Continued

Name	RA	Dec	l	b	θ_{95}	F	ΔF	γ	Counts	\sqrt{TS}	VP	ID	Other Name	Note	Ref	z
						<	37.6		<	1.2	24.5					
						<	21.0	9.2	21	2.8	24.+					
						<	36.1	11.7	27	4.1	25.0					
						<	14.9		15	0.0	339.0					
						<	14.1		14	0.0	P34					
						<	25.0	4.5	110	6.9	P1234					
3EG J1612-2618	243.18	-26.31	349.40	17.90	1.33	<	92.2	27.7	39	4.1	423.0			em		
						<	31.2	± 0.23	44	1.3	5.0			C		
						<	10.3		40	0.0	16.0					
						<	43.1		21	0.7	27.0					
						<	73.0		19	1.1	210.0					
						<	51.6		18	0.3	214.0					
						<	60.8		11	0.0	219.0					
						<	60.7		12	0.0	223.0					
						<	36.8	13.0	36	3.4	226.0					
						<	28.8	11.6	34	2.9	223.+					
						<	37.9		14	0.0	229.+					
						<	27.2		29	0.3	232.0					
						<	24.7		22	0.0	302.3					
						<	33.3		16	0.0	323.0					
						<	56.9		16	0.6	324.0					
						<	35.9	20.5	15	2.1	336.5					
						<	60.7		25	1.3	339.0					
						<	63.1		19	0.6	421.0					
						<	60.3		24	0.6	422.0					
						<	35.9	14.1	41	2.9	421.+					
						<	27.2		23	0.0	423.5					
						<	11.1		64	0.6	P1					
						<	14.4	6.4	49	2.4	P2					
						<	21.8		54	1.1	P3					
						<	36.0		72	1.8	P4					
						<	7.1	3.6	65	2.1	P12					
						<	11.6	5.8	52	2.1	P34					
						<	7.7	3.0	104	2.6	P1234					
3EG J1614+3424	243.54	34.40	55.44	46.29	0.29	<	26.5	4.0	130	8.7	P1234	A	2EG J1614+3431	C	a,d,e	1.401
						<	12.2	± 0.15	25	1.0	9.2		GEV J1613+3432			
						<	11.2		4	0.0	24.+		1611+343			
						<	38.8	10.5	35	5.0	201.0					
						<	51.3	12.2	42	5.9	202.0					
						<	44.5	8.0	77	7.7	201.+					
						<	48.1	26.1	7	2.7	303.4					
						<	68.9	15.3	41	6.4	403.0					
						<	10.4		25	0.9	P1					
						<	19.0	4.0	79	6.1	P12					
						<	64.8	13.6	48	6.8	P34					
3EG J1616-2221	244.03	-22.37	353.00	20.03	0.53*	<	13.2	3.1	175	4.7	P1234			em		
						<	18.6	± 0.24	25	0.1	5.0			C		
						<	11.1	5.2	48	2.3	16.0					

TABLE 4—Continued

Name	RA	'Dec	l	b	θ_{95}	F	ΔF	γ	Counts	\sqrt{TS}	VP	ID	Other Name	Note	Ref	z
						< 54.8			< 19	0.6	27.0					
						< 44.9			< 11	0.0	210.0					
						< 56.4			< 18	0.4	214.0					
						25.1 13.3			24	2.1	226.0					
						25.4 12.1			29	2.4	223.+					
						56.6			< 22	0.7	229.+					
						29.4			< 26	0.6	232.0					
						35.9			< 33	1.1	302.3					
						54.0			< 19	0.8	324.0					
						82.2			< 27	1.8	336.5					
						56.6			< 32	1.7	339.0					
						56.7 29.0			15	2.4	421.0					
						69.1			< 24	1.4	422.0					
						65.5			< 28	1.6	423.0					
						31.3 12.4			32	3.0	421.+					
						47.8			36	1.9	423.5					
						69.5			< 12	0.2	429.0					
						16.8			< 101	2.0	P1.					
						12.4	6.5		39	2.0	P2					
						27.1			58	1.7	P3					
						26.1	8.6		51	3.6	P4					
						8.5	3.6		78	2.5	P12					
						17.7	5.6		73	3.6	P34					
						10.4	3.0	2.29	55	4.1	P1					
						10.7	4.5	± 0.49	25	2.9	18.0					
						12.2	4.2		36	3.5	22.0					
						14.1			< 26	0.8	P2					
						8.3	2.5		59	3.7	P12					
						11.4			< 20	0.2	P34					
						7.4	2.3		65	3.7	P1234					
						258.9	15.3	2.07	611	24.7	P4	A	1622-297			
						15.4		± 0.07	< 28	0.0	5.0		GEV J1626-2955		e,k	0.815
						14.8	5.9		50	2.8	16.0					
						66.8			< 24	1.1	23.0					
						28.8			< 19	0.0	27.0					
						72.6			< 21	1.0	210.0					
						33.6			< 13	0.0	214.0					
						36.1			< 7	0.0	219.0					
						77.0	32.4		19	3.0	223.0					
						27.5	12.3		32	2.5	226.0					
						36.0	11.6		50	3.6	223.+					
						44.3			< 18	0.0	229.+					
						25.9	11.4		35	2.5	232.0					
						28.5			< 27	0.5	302.3					
						46.4			< 34	1.3	323.0					
						88.7			< 27	1.9	324.0					
						41.2			< 9	0.0	334.0					
						44.6			< 23	0.5	336.5					

TABLE 4—Continued

Name	RA	Dec	l	b	θ_{95}	F	ΔF	γ	Counts	\sqrt{TS}	VP	ID	Other Name	Note	Ref	z
						233.1	35.7		98	9.1	421.0					
						321.8	33.5		174	14.8	422.0					
						267.1	34.9		132	10.7	423.0					
						276.5	20.1		402	19.9	421.+					
						242.1	23.2		220	15.5	423.5					
					<	16.4			103	2.0	P1					
					<	17.6	6.4		71	3.0	P2					
					<	26.5			72	1.8	P3					
						12.4	3.6		127	3.7	P12					
						121.6	8.3		617	19.5	P34					
						47.4	3.7		728	15.5	P1234					
3EG J1626-2519	246.50	-25.32	352.28	16.37	0.31	42.6	6.6	2.21	228	7.5	P34	A	2EG J1626-2452	C	a,d,e	0.786
					<	32.3		± 0.13	56	1.4	5.0		GEV J1626-2502			
					<	20.9	6.3		86	3.6	16.0		1622-253			
					<	37.2			17	0.0	27.0					
					<	48.0			13	0.0	210.0					
					<	55.4			21	0.5	214.0					
					<	52.2			10	0.0	219.0					
					<	22.7			30	0.0	223.+					
					<	57.5			26	0.9	229.+					
					<	27.2			30	0.1	232.0					
					<	30.4	13.2		31	2.7	302.3					
					<	48.5	18.7		30	3.1	323.0					
					<	44.9			17	0.0	324.0					
					<	90.2			18	1.1	334.0					
					<	45.2			18	0.0	336.5					
						46.5	20.9		20	2.7	339.0					
						64.7	30.1		22	2.6	421.0					
						77.1	26.0		34	3.6	422.0					
						47.2	22.9		24	2.4	423.0					
						65.8	15.3		85	5.2	421.+					
						49.7	17.2		42	3.3	423.5					
						82.5	35.0		16	3.0	429.0					
						17.8	5.1		111	3.8	P1					
					<	12.8			48	0.0	P2					
					<	27.9	7.8		85	4.0	P3					
						64.2	11.0		150	7.0	P4					
						10.1	4.0		101	2.7	P12					
						21.3	3.5		328	6.7	P1234					
3EG J1627-2419	246.98	-24.33	353.36	16.71	0.65	23.4	4.2	2.21	237	6.2	P12					
					<	30.4		± 0.27	54	1.3	5.0			Rho Oph resid ?	@	
					<	22.5	6.4		97	3.9	16.0			em		
					<	45.5			18	0.4	27.0			C		
					<	55.2			21	0.4	214.0					
						23.1	12.0		31	2.1	223.+					
						36.0	13.6		38	3.1	232.0					
					<	29.7			31	0.2	302.3					
					<	38.1			17	0.0	339.0					

TABLE 4—Continued

Name	RA	Dec	l	b	θ_{95}	F	ΔF	γ	Counts	\sqrt{TS}	VP	ID	Other Name	Note	Ref	z
						<	41.2		<	22	0.0	423.0				
						<	28.4		<	36	0.1	421.+				
						<	45.0		<	36	0.9	423.5				
						<	18.8			121	4.0	P1				
						<	27.9	5.1		103	4.4	P2				
						<	18.5	7.2		71	0.9	P3				
						<	23.7			55	0.5	P4				
						<	16.5			102	1.1	P34				
						<	15.8	3.3		258	5.1	P1234				
3EG J1631-1018	247.78	-10.30	5.55	24.94	0.72	12.7	3.0	2.20	147	4.8	P1234			em		
						20.1	11.2	± 0.27	17	2.1	5.0			C		
						<	16.7		<	72	1.9	16.0				
						<	39.9		<	17	0.4	25.0				
						<	58.4		<	9	0.0	210.0				
						<	65.3		<	14	0.5	214.0				
						<	52.7		<	36	1.8	223.+				
						<	42.9		<	18	0.6	229.+				
						<	37.0		<	30	0.9	302.3.				
						<	33.3		<	18	0.3	324.0				
						<	37.2		<	6	0.0	330.0				
						<	34.4		<	25	0.8	332.0				
						<	24.6		<	22	0.3	330.+				
						<	33.3	11.9	<	31	3.4	339.0				
						<	61.0		<	10	0.0	421.0				
						<	49.5	28.7	<	9	2.4	422.0				
						<	50.8	22.0	<	16	3.1	423.0				
						<	39.0	15.0	<	26	3.2	421.+				
						<	64.0		<	22	1.3	423.5				
						<	8.7	3.8	<	48	2.5	P1				
						<	30.7		<	48	1.6	P2				
						<	14.6	6.0	<	46	2.7	P3				
						<	29.7	10.6	<	40	3.3	P4				
						<	9.6	3.5	<	68	3.0	P12				
						<	18.3	5.2	<	82	3.9	P34				
						<	26.2	5.6	<	242	5.0	P12				
3EG J1631-4033	247.85	-40.56	341.61	5.24	0.89	48.7	13.9	2.25	87	3.9	5.0			em		
						<	34.4	± 0.27	<	59	0.8	16.0		C		
						<	56.5		<	43	1.0	23.0				
						<	39.3	16.9	<	41	2.6	27.0				
						<	46.7	18.5	<	48	2.8	226.0				
						<	37.2	16.3	<	47	2.5	223.+				
						<	45.9		<	77	1.8	232.0				
						<	57.8		<	39	0.8	302.3				
						<	53.8		<	55	1.1	323.0				
						<	55.0		<	30	0.5	422.0				
						<	42.6		<	19	0.0	423.0				
						<	41.6		<	60	1.1	421.+				
						<	32.3		<	26	0.0	423.5				

TABLE 4—Continued

Name	RA	Dec	l	b	θ_{95}	F	ΔF	γ	Counts	\sqrt{TS}	VP	ID	Other Name	Note	Ref	z
						25.2	7.3		134	3.7	P1					
						22.3	8.5		88	2.8	P2					
						23.1	11.6		56	2.1	P3					
						<			<		P4					
						<			<		P34					
						15.7	4.4		218	3.7	P1234					
3EG J1633-3216	248.43	-32.28	348.10	10.48	0.87	21.6	5.9	2.58	120	4.1	P34			em		
						20.3		± 0.24	44	0.6	5.0			C		
						<			<		16.0					
						<			<		23.0					
						<			17	0.0	27.0					
						32.6	14.7		25	2.6	210.0					
						44.9			14	0.0	214.0					
						<			<		223.+					
						47.8			19	0.4	302.3					
						<			<		323.0					
						24.9			37	0.7	336.5					
						<			<		422.0					
						21.7			34	0.2	421.+					
						<			<		423.5					
						48.7			47	1.9	P1					
						40.6	15.3		38	3.2	P2					
						<			<		P3					
						50.7			30	1.2	P4					
						<			<		P12					
						39.1			24	0.0	P1234					
						37.8			63	1.2	2EG J1635-1427					
						46.9			41	1.3	em					
						<			<		C					
						12.5			79	0.8	5.0					
						19.7			86	1.5	16.0					
						<			<		25.0					
						22.7	7.3		69	3.5	210.0					
						19.3	9.4		49	2.2	214.0					
						<			<		219.0					
						11.6			124	1.4	226.0					
						11.1	3.1		181	3.9	223.+					
						11.5	2.8	2.15	163	4.5	229.+					
3EG J1634-1434	248.53	-14.57	2.33	21.78	0.49*	27.8		± 0.23	35	1.1	232.0					
						13.5	4.6		64	3.3	302.3					
						<			<		324.0					
						34.1			10	0.0	330.+					
						<			<		336.5					
						54.3			11	0.1	339.0					
						<			<		421.0					
						37.1			10	0.0	422.0					
						<			<		423.0					
						76.5			11	0.3	421.+					
						37.4	15.9		29	2.7	423.5					
						35.6	14.3		34	2.9	1.4					
						50.6			24	1.2						
						<			<							
						48.8			29	1.6						
						<			<							
						28.2			28	0.6						
						<			<							
						28.9			17	0.0						
						<			<							
						27.2			27	0.3						
						69.9	39.7		11	2.1						
						<			<							
						27.7			21	0.2						
						<			<							
						73.9			17	0.6						
						64.2			18	1.0						
						<			<							
						29.6			13	0.0						
						29.0			28	0.7						
						<			<							
						57.6			27	1.4						

TABLE 4—Continued

Name	RA	Dec	l	b	θ_{95}	F	ΔF	γ	Counts	\sqrt{TS}	VP	ID	Other Name	Note	Ref	z
						<	67.0		<	1.8	429.0					
						12.5	3.9		79	3.5	P1					
						18.7	7.1		49	3.0	P2					
						15.6			54	0.8	P3					
						15.5	8.1		28	2.1	P4					
						13.6	3.4		121	4.4	P12					
						16.7			88	1.7	P34					
3EG J1635+3813	248.92	38.22	61.21	42.26	0.21	107.5	9.6	2.15	245	17.3	9.2	A	2EG J1635+3813		a,d,e	1.814
						39.6	10.0	± 0.09	43	5.6	201.0		GEV J1636+3812			
						31.8	10.4		32	3.8	202.0		1633+382			
						36.1	7.2		75	6.6	201.+		4C+38.41			
						89.3			19	1.9	303.4					
						38.3	11.7		32	4.3	403.0					
						71.5	6.0		312	17.3	P12					
						38.5	10.8		40	4.6	P34					
						58.4	5.2		315	15.7	P1234					
3EG J1635-1751	248.79	-17.86	359.72	19.56	1.10	99.1	31.8	—	29	4.1	421.0					em
						21.6		—	36	0.7	5.0					C
						9.3			46	0.0	16.0					
						39.2			9	0.0	25.0					
						43.9			11	0.0	210.0					
						34.8			11	0.0	214.0					
						37.3			6	0.0	219.0					
						34.9			41	1.0	223.+					
						29.4			15	0.0	229.+					
						26.0			20	0.0	232.0					
						24.9			27	0.3	302.3					
						41.2			25	0.7	324.0					
						31.7			27	0.4	332.0					
						35.5			37	1.0	330.+					
						54.5			12	0.1	334.0					
						54.9			12	0.0	336.5					
						49.8			33	1.4	339.0					
						68.3			25	1.5	422.0					
						27.7			15	0.0	423.0					
						27.3	11.3		32	2.8	421.+					
						27.8			17	0.0	423.5					
						30.6			11	0.0	429.0					
						7.8			53	0.0	P1					
						11.5			37	0.0	P2					
						17.5			66	1.1	P3					
						20.5			44	0.8	P4					
						6.4			63	0.0	P12					
						14.0			83	1.2	P34					
						5.3			85	0.1	P1234					
3EG J1638-2749	249.67	-27.83	352.25	12.59	0.62	17.4	3.0	2.47	307	6.3	P1234		2EGS J1642-2659		em	b
						19.4	8.1	± 0.15	43	2.7	5.0					C
						10.5			39	0.0	16.0					

TABLE 4—Continued

Name	RA	Dec	l	b	θ_{95}	F	ΔF	γ	Counts	\sqrt{TS}	VP	ID	Other Name	Note	Ref	z							
3EG J1639-4702	249.78	-47.04	337.75	-0.15	0.56	29.9	6.1		286	5.3	P1234												
						53.2	8.7	2.50	646	6.4	P1234												
						<	<	± 0.18	<	132	1.8	5.0											
						<	<		<	85	1.2	16.0											
						<	<		<	86	1.2	23.0											
						<	<		<	105	1.6	27.0											
						<	62.2		42	2.6	38.0												
						<	206.7		50	1.4	214.0												
						<	170.6	75.4	34	2.5	223.0												
						<	136.2		102	2.0	226.0												
						<	89.0	32.5	85	2.9	223.+												
						<	189.6		35	0.7	229.+												
						<	91.2		138	1.7	232.0												
						<	153.6		61	1.5	302.3												
						<	58.6		20	0.0	314.+												
						<	85.7	32.1	92	2.8	323.0												
						<	125.5		89	1.6	336.5												
<	125.0	68.9	23	2.0	402.0																		
<	198.0		65	1.5	421.0																		
<	155.1	54.6	63	3.1	422.0																		
<	192.2		63	1.8	423.0																		
<	115.2	32.8	122	3.8	421.+																		
<	124.2		67	1.2	423.5																		
<	28.7	12.6	144	2.3	P1																		
<	69.5	18.0	219	4.1	P2																		
<	73.4	21.1	160	3.7	P3																		
<	81.1	23.9	144	3.6	P4																		
<	46.3	10.4	378	4.6	P12																		
<	67.6	15.6	268	4.6	P34																		
3EG J1646-0704	251.62	-7.08	10.85	23.69	0.53*	11.8	3.1	2.39	129	4.1	P1234												
						<	44.6	± 0.36	35	1.9	5.0												
						<	13.0		50	0.8	16.0												
						<	55.5	23.5	19	3.0	25.0												
						<	65.5		9	0.0	210.0												
						<	40.2		19	0.6	226.0												
						<	44.4		27	1.1	223.+												
						<	36.5		14	0.0	229.+												
						<	29.0	14.6	22	2.3	302.3												
						<	25.0		16	0.0	324.0												
						<	67.0	28.5	15	3.1	330.0												
						<	34.9		34	0.9	332.0												
						<	26.2	11.3	31	2.6	330.+												
						<	41.5		33	1.5	339.0												
						<	74.4		12	0.4	422.0												
						<	37.3		11	0.0	423.0												
						<	35.8		21	0.5	421.+												
<	91.9		22	1.9	423.5																		
<	72.2		31	1.7	429.0																		

em
C

TABLE 4—Continued

Name	RA	Dec	l	b	θ_{95}	F	ΔF	γ	Counts	\sqrt{TS}	VP	ID	Other Name	Note	Ref	z
						38.1	24.0		8	2.2	423.0					
						57.1			<	0.9	429.0					
						17.5			<	1.6	P1					
						25.4	12.0		23	2.5	P2					
						23.0	6.3		73	4.2	P3					
						46.3			<	1.3	P4					
						11.8	4.7		51	2.8	P12					
						22.0	5.8		82	4.4	P34					
3EG J1653-2133	253.46	-21.56	359.49	13.81	1.10	59.7	17.5	2.66	40	4.3	423.5			em		
						13.2		± 0.31	33	0.0	5.0			C		
						16.5			72	1.2	16.0					
						64.5			18	0.7	27.0					
						42.5			13	0.0	210.0					
						46.2			19	0.2	214.0					
						32.5			49	1.4	223.+					
						23.4			15	0.0	229.+					
						34.2			36	0.9	232.0					
						33.1			41	0.9	302.3.					
						35.4			28	0.5	323.0					
						29.1			20	0.0	324.0					
						35.7			50	1.1	330.+					
						44.1			15	0.0	334.0					
						52.3	25.7		16	2.5	336.5					
						44.8			18	0.3	339.0					
						35.0			18	0.3	422.0					
						22.7			16	0.0	423.0					
						20.9			35	0.4	421.+					
						52.9			23	1.4	429.0					
						12.6			90	1.2	P1					
						15.2			62	0.8	P2					
						19.7			101	1.6	P3					
						17.0	7.0		47	2.7	P4					
						11.5			129	1.6	P12					
						11.9	4.4		94	2.9	P34					
						7.0	2.6		133	2.8	P1234					
						38.5	7.7		513	5.2	P1234		2EGS J1653-4604	em	b	
3EG J1655-4554	253.95	-45.90	340.48	-1.61	0.66	59.5		2.19	120	1.2	5.0			C		
						80.7		± 0.24	77	1.0	16.0					
						118.9			91	1.9	23.0					
						93.6			101	1.8	27.0					
						114.9			22	0.0	35.0					
						120.0			39	0.5	38.0					
						105.6			29	0.0	214.0					
						52.3			56	0.0	223.+					
						62.3	23.8		100	2.8	232.0					
						92.2	44.8		41	2.2	302.3					
						112.6	27.4		151	4.5	323.0					
						121.1			25	0.0	334.0					

TABLE 4—Continued

Name	RA	Dec	l	b	θ_{95}	F	ΔF	γ	Counts	\sqrt{TS}	VP	ID	Other Name	Note	Ref	z
						<	86.4		<	61	0.5	336.5				
						<	127.4		<	48	0.8	421.0				
						<	120.9		<	56	1.1	422.0				
						<	78.2		<	33	0.0	423.0				
						<	65.1		<	82	0.8	421.+				
						<	130.8		<	72	1.8	423.5				
						<	23.2	11.4		124	2.1	P1				
						<	58.6		<	204	1.9	P2				
						<	86.3	18.3		233	5.1	P3				
						<	64.4		<	116	1.3	P4				
						<	32.2	9.4		283	3.6	P12				
						<	59.9	13.5		270	4.7	P34				
3EG J1659-6251	254.97	-62.86	327.32	-12.47	0.73*	<	47.0	13.1	2.54	43	4.6	314.+	2EGS J1703-6302	em	b	
						<	38.8		± 0.37	34	1.7	23.0				C
						<	18.8			15	0.0	27.0				
						<	28.9	15.5		17	2.1	38.0				
						<	32.0			19	0.2	232.0				
						<	53.0	16.1		32	4.3	314.0				
						<	29.6			16	0.0	323.0				
						<	26.1			17	0.0	402.+				
						<	21.8			57	1.6	P1				
						<	30.7	8.8		55	4.2	P3				
						<	19.2			61	1.5	P12				
						<	24.2	7.3		59	3.9	P34				
						<	14.0	4.4		79	3.5	P1234				
3EG J1704-4732	256.12	-47.54	340.10	-3.79	0.66	<	117.8	27.1	1.86	93	5.1	226.0				C
						<	25.7		± 0.33	53	0.0	5.0				
						<	46.1			33	0.0	23.0				
						<	38.4			40	0.0	27.0				
						<	62.3			14	0.0	35.0				
						<	59.9			23	0.0	38.0				
						<	107.3			21	0.0	210.0				
						<	98.5	46.8		25	2.4	214.0				
						<	90.4	23.0		92	4.5	223.+				
						<	121.4			25	0.3	229.+				
						<	31.4			49	0.0	232.0				
						<	87.2			35	0.5	302.3				
						<	35.2			49	0.0	323.0				
						<	97.4			21	0.0	334.0				
						<	103.0			69	1.9	336.5				
						<	84.3			11	0.0	402.0				
						<	78.3			31	0.4	421.0				
						<	55.2			26	0.0	422.0				
						<	104.7			42	1.4	423.0				
						<	46.0			58	0.7	421.+				
						<	85.5			41	1.1	423.5				
						<	17.2			77	0.0	P1				
						<	43.2	12.0		143	3.9	P2				

TABLE 4—Continued

Name	RA	Dec	l	b	θ_{95}	F	ΔF	γ	Counts	\sqrt{TS}	VP	ID	Other Name	Note	Ref	z								
3EG J1709-0828	257.26	-8.47	12.86	18.25	1.01	<	25.2		<	0.1	P3													
						<	45.9		<	1.4	P4													
						<	24.6		<	1.5	P12													
						<	28.8		<	1.1	P34													
						<	20.5		<	1.7	P1234													
						<	12.6			3.00	3.2		161	4.2	P1234				2EGS J1708-0927	em	b			
						<	26.7			± 0.35	5.6		32	0.5	5.0				C					
						<	13.0						47	2.5	16.0									
						<	60.9						12	0.0	25.0									
						<	53.9						9	0.0	210.0									
						<	58.3						13	0.0	214.0									
						<	37.5						28	0.8	223.+									
						<	47.8						24	0.7	229.+									
						<	50.2					16.1	43	3.7	302.3									
						<	20.7						19	0.0	324.0									
						<	21.5						40	0.4	330.+									
						<	53.0						14	0.0	334.0									
<	31.0					15.7	17	2.3	339.0															
<	56.3					31.9	11	2.2	421.0															
<	40.5						17	0.3	423.0															
<	29.1					13.6	24	2.5	421.+															
<	80.9						19	1.1	423.5															
<	36.7						23	0.3	429.0															
<	10.6					4.8	53	2.3	P1															
<	24.1						41	0.8	P2															
<	14.1					5.7	62	2.7	P3															
<	22.8					9.6	38	2.7	P4															
<	10.0					4.2	67	2.5	P12															
<	15.9					4.9	97	3.5	P34															
3EG J1710-4439	257.55	-44.67	343.00	-2.86	0.09	<	112.2	6.2	1.86	21.4	P1234	P	2EG J1710-4432		a									
						<	126.8	15.0	± 0.04	318	10.2	5.0			GEV J1709-4430									
						<	116.3	23.1		125	5.9	16.0			PSR B1706-44									
						<	90.9	28.9		57	3.6	23.0												
						<	106.5	23.6		101	5.4	27.0												
						<	128.3	54.9		26	2.8	35.0												
						<	123.9	43.1		43	3.4	38.0												
						<	126.5	51.5		30	2.9	210.0												
						<	125.3	44.8		38	3.3	214.0												
						<	288.7	98.6		25	3.9	219.0												
						<	142.8	48.5		40	3.5	223.0												
						<	131.1	25.3		125	6.2	226.0												
						<	144.1	22.9		178	7.6	223.+												
						<	102.6			29	0.2	229.+												
						<	104.5	18.5		181	6.6	232.0												
						<	133.8	34.4		71	4.6	302.3												
						<	84.2	18.0		139	5.4	323.0												
<	138.2	49.0		40	3.3	334.0																		
<	74.9	27.2		51	3.1	336.5																		

TABLE 4—Continued

Name	RA	'	Dec	l	b	θ_{95}	F	ΔF	γ	Counts	\sqrt{TS}	VP	ID	Other Name	Note	Ref	z
3EG J1714-3857	258.52	-38.96	348.04	-0.09	0.51		78.3	32.0		36	2.8	421.0					
							114.8	30.2		64	4.5	422.0					
							85.3	30.0		45	3.3	423.0					
							90.9	17.7		141	6.0	421.+					
							102.3	30.6		56	3.9	423.5					
							117.9	9.9		672	14.2	P1					
							119.7	12.6		464	11.2	P2					
							96.5	13.3		303	8.4	P3					
							93.0	15.3		195	7.1	P4					
							113.5	7.7		1086	17.4	P12					
							96.0	10.1		503	11.1	P34					
							43.6	6.5	2.30	797	7.0	P1234					
							38.0	15.4	± 0.20	117	2.6	5.0					
							61.6	22.6		104	2.9	16.0					
							<	<		<	32	0.0	23.0				
							<	<		57	2.4	27.0					
							<	<		20	0.0	35.0					
							<	<		34	0.8	38.0					
							<	<		30	0.0	210.0					
							<	82.3	44.7		32	2.0	214.0				
						<	98.6			35	0.0	223.0					
						<	108.0	27.8		133	4.2	226.0					
						<	79.9	24.4		126	3.5	223.+					
						<	155.4			68	1.6	229.+					
						<	74.6	20.9		143	3.8	232.0					
						<	102.6			80	1.5	302.3					
						<	43.3	21.3		76	2.1	323.0					
						<	124.7			36	0.5	324.0					
						<	55.0			39	0.0	330.+					
						<	194.3	53.0		79	4.2	334.0					
						<	84.7	39.6		54	2.3	336.5					
						<	123.6			70	1.4	421.0					
						<	119.6			82	1.8	422.0					
						<	101.1			75	1.3	423.0					
						<	68.4			136	1.7	421.+					
						<	119.4			74	1.6	423.5					
						<	37.4	10.9		237	3.5	P1					
						<	64.0	13.4		302	5.0	P2					
						<	48.3	12.6		222	4.0	P3					
						<	38.0	17.2		99	2.3	P4					
						<	48.1	8.5		532	5.9	P12					
						<	44.0	10.2		317	4.5	P34					
						<	17.8	3.6	2.23	380	5.3	P1234					
						<	38.2	9.3	± 0.15	133	4.6	5.0					
						<	31.9			105	1.9	16.0					
						<	75.0			29	0.6	27.0					
						<	61.2			22	0.0	210.0					
						<	55.3			27	0.5	214.0					
3EG J1717-2737	259.30	-27.63	357.67	5.95	0.64												

ern
C

C

TABLE 4—Continued

Name	RA	Dec	l	b	θ_{95}	F	ΔF	γ	Counts	\sqrt{TS}	VP	ID	Other Name	Note	Ref	z
	<					83.0			<	12	0.0	219.0				
	<					22.2			<	41	0.0	223.+				
	<					40.9			<	29	0.0	229.+				
	<					38.3			<	56	0.8	232.0				
	<					33.2			<	41	0.3	302.3				
	<					42.0			<	60	1.1	323.0				
						52.8	23.2			37	2.5	324.0				
						70.6	17.4			94	4.7	332.0				
						63.8	15.4			104	4.7	330.+				
						56.2	25.2			32	2.5	334.0				
	<					89.7			<	36	1.0	336.5				
	<					68.2	25.1		<	41	3.1	421.0				
	<					32.5			<	24	0.0	422.0				
	<					37.9			<	34	0.2	423.0				
	<					39.0			<	87	1.7	421.+				
	<					69.1			<	41	1.1	423.5				
	<					55.9			<	22	0.0	429.0				
						25.5	6.1		<	182	4.5	P1				
	<					13.6			<	68	0.0	P2				
						31.3	7.3		<	187	4.7	P3				
						18.0	9.2		<	58	2.1	P4				
						13.3	4.6		<	162	3.1	P12				
						24.1	5.7		<	222	4.6	P34				
3EG J1718-3313	259.56	-33.22	353.20	2.56	0.54	60.2	12.6	2.59	<	209	5.2	5.0	2EG J1718-3310	em	a	
	<					26.7		± 0.21	<	66	0.0	16.0				
	<					72.9			<	41	0.5	27.0				
						83.5	42.7		<	34	2.1	223.0				
						57.7	21.0		<	82	2.9	226.0				
						51.6	18.6		<	94	3.0	223.+				
	<					62.2			<	37	0.2	229.+				
	<					58.6			<	101	1.3	232.0				
	<					40.9			<	43	0.0	302.3				
	<					38.3			<	63	0.2	323.0				
	<					79.3	35.0		<	39	2.5	324.0				
	<					39.3			<	48	0.0	330.+				
	<					56.3			<	30	0.0	336.5				
	<					109.2			<	69	1.7	421.0				
	<					47.0			<	36	0.0	422.0				
	<					45.4			<	40	0.0	423.0				
	<					27.9			<	64	0.0	421.+				
	<					81.0			<	49	1.0	423.5				
	<					93.0			<	27	0.0	429.0				
						19.3	8.7		<	126	2.3	P1				
						37.5	10.8		<	190	3.6	P2				
	<					34.1			<	187	1.7	P3				
	<					29.7			<	94	0.5	P4				
	<					28.2	6.8		<	327	4.3	P12				
	<					19.3			<	167	0.7	P34				

TABLE 4—Continued

Name	RA	Dec	l	b	θ_{95}	F	ΔF	γ	Counts	\sqrt{TS}	VP	ID	Other Name	Note	Ref	z
						53.3	32.8		10	2.0	223.0					
						<			<	1.0	226.0					
						<			<	1.9	223.+					
						<			22	0.4	229.+					
						<			44	1.7	302.3					
						<			41	1.1	324.0					
						<			76	1.7	330.+					
						71.5	28.1		25	3.1	334.0					
						48.3	23.1		18	2.5	339.0					
						52.5	23.5		23	2.6	423.0					
						46.8	17.0		40	3.2	421.+					
						31.8	15.2		24	2.4	429.0					
						<			94	1.4	P1					
						19.6	9.4		37	2.3	P2					
						21.3	5.9		111	4.0	P3					
						35.3	10.7		63	3.8	P4					
						10.2	4.5		76	2.4	P12					
						24.0	5.2		168	5.2	P34					
3EG J1727+0429	261.97	4.50	27.27	20.62	0.78	17.9	4.1	2.67	119	5.1	P1234	A	1725+044	em		0.296
						<		± 0.26	46	1.8	16.0					
						<			47	4.0	20.0					
						<			23	0.6	324.0					
						<			8	2.0	330.0					
						<			41	1.9	332.0					
						<			26	2.5	330.+					
						<			12	0.0	339.0					
						<			22	1.1	429.0					
						<			76	4.6	P1					
						23.7	6.1		37	2.4	P3					
						13.3	6.1		73	4.3	P12					
						21.5	5.8		43	2.7	P34					
						13.4	5.6		37	4.5	22.0		2EG J1731+6007	em	a	
						22.9	6.6	3.00	11	0.0	9.2			C		
						<		± 0.38	25	1.0	201.+					
						<			25	0.7	212.0					
						<			32	3.3	P1					
						<			37	1.1	P2					
						<			14	0.0	P3					
						<			48	3.3	P12					
						<			13	0.0	P34					
						<			47	3.0	P1234					
3EG J1733-1313	263.46	-13.23	12.00	10.57	0.28	36.1	3.4	2.23	673	12.1	P1234	A	2EG J1735-1312	a,e		0.902
						<		± 0.10	69	1.6	5.0		GEV J1732-1344			
						<			25	0.9	7.2		1730-130			
						<			19	0.0	13.1		NRAO 530			
						18.1	7.4		55	2.7	16.0					
						51.2	15.1		50	4.1	20.0					
						<			12	0.0	210.0					

TABLE 4—Continued

Name	RA	Dec	l	b	θ_{95}	F	ΔF	γ	Counts	\sqrt{FS}	VP	ID	Other Name	Note	Ref	z
						73.9	31.5		21	2.8	214.0					
						< 117.9			<	0.2	219.0					
						56.7	32.1		14	2.1	223.0					
						41.8	17.5		32	2.7	226.0					
						49.5	15.8		51	3.7	223.+					
						< 110.4			<	0.9	231.0					
						48.9	19.3		33	3.0	229.+					
						50.3	21.8		26	2.7	232.0					
						< 54.0			<	1.8	302.3					
						45.5	18.3		32	2.9	323.0					
						58.1	14.6		70	4.8	324.0					
						64.0	23.3		34	3.3	330.0					
						30.3	9.2		69	3.7	332.0					
						35.8	8.7		100	4.8	330.+					
						79.7	24.7		40	4.0	334.0					
						77.0	34.5		24	2.6	421.0					
						< 89.9			<	1.7	422.0					
						41.6	19.3		26	2.5	423.0					
						46.7	14.1		60	3.8	421.+					
						104.8	34.7		26	4.0	423.5					
						38.6	14.6		33	3.1	429.0					
						21.4	5.0		150	4.7	P1					
						39.8	9.0		120	5.1	P2					
						42.7	6.1		266	8.1	P3					
						51.4	10.0		123	6.1	P4					
						27.1	4.4		271	6.8	P12					
						46.4	5.3		400	10.4	P34					
3EG J1734-3232	263.56	-32.55	355.64	0.15	0.49	40.3	6.7		853	6.2	P1234		GEV J1732-3130	C	c	
						39.4	15.0		154	2.7	5.0					
						< 77.9			<	2.0	16.0					
						< 156.3			<	1.8	27.0					
						< 108.4			<	0.0	210.0					
						< 182.8			<	1.9	214.0					
						< 189.7			<	0.3	219.0					
						51.6	23.9		93	2.2	223.+					
						< 142.1			<	0.0	231.0					
						110.4	41.6		71	2.9	229.+					
						< 77.4			<	1.4	232.0					
						< 91.9			<	1.2	302.3					
						44.1	22.5		85	2.0	323.0					
						< 124.8			<	1.1	324.0					
						< 67.9			<	0.9	330.+					
						< 69.7			<	0.0	334.0					
						167.0	52.1		79	3.5	336.5					
						< 66.0			<	0.0	421.0					
						< 113.0			<	1.4	422.0					
						< 78.7			<	0.7	423.0					
						< 38.5			<	0.2	421.+					

TABLE 4—Continued

Name	RA	Dec	l	b	θ_{95}	F	ΔF	γ	Counts	\sqrt{TS}	VP	ID	Other Name	Note	Ref	z
	<					71.7			<	0.4	229.+					
						73.8	23.9		108	3.3	232.0					
						73.1	27.8		82	2.8	302.3					
						57.9	21.4		103	2.9	323.0					
	<					116.3			<	1.6	324.0					
	<					119.2			<	0.6	330.0					
						48.9	23.3		78	2.2	332.0					
						40.6	20.7		80	2.0	330.+					
						85.3	35.9		62	2.6	334.0					
						142.9	50.5		56	3.2	336.5					
	<					65.2			<	0.0	421.0					
	<					57.1			<	0.0	422.0					
	<					71.0	28.2		71	2.7	423.0					
	<					55.6			133	1.4	421.+					
	<					163.7			74	1.9	423.5					
	<					141.1			62	1.4	429.0					
	<					26.2			<	0.8	P1					
						39.4	12.2		200	3.4	P2					
						61.5	11.3		412	5.8	P3					
						33.8	15.1		111	2.3	P4					
						23.1	7.7		278	3.1	P12					
						33.0	5.9		727	5.8	P1234					
3EG J1738+5203	264.64	52.05	79.37	32.05	0.82	18.2	3.5	2.42	117	6.4	P1234	A	2EG J1739+5152	em	a,d,e	1.375
						28.8		± 0.23	17	0.8	2.0		1739+522			
	<					28.0			36	2.0	9.2					
	<					30.7			23	1.2	22.0					
	<					19.0	9.1		14	2.8	201.0					
	<					28.7			25	1.7	202.0					
						14.6	5.9		23	3.1	201.+					
						41.3	10.2		53	5.1	212.0					
	<					24.6			12	0.0	302.+					
						44.9	26.9		7	2.3	403.0					
						9.7	4.7		26	2.3	P1					
						26.9	5.7		78	6.0	P2					
	<					18.8			13	0.0	P3					
	<					19.7	3.8		110	6.4	P12					
	<					27.4			24	1.1	P34					
3EG J1741-2050	265.41	-20.84	6.44	5.00	0.63	24.1	3.9	2.25	526	6.6	P1234					C
						23.6		± 0.12	79	0.7	5.0					
						57.8	29.1		28	2.2	7.2					
						55.8	26.5		33	2.4	13.1					
						21.4	10.8		59	2.1	16.0					
	<					87.9			24	0.4	210.0					
	<					90.1			34	0.9	214.0					
						87.6	34.2		33	3.0	223.0					
						38.4	17.6		43	2.4	226.0					
						48.4	15.6		72	3.5	223.+					
	<					91.2			23	0.1	231.0					

TABLE 4—Continued

Name	RA	Dec	l	b	θ_{95}	F	ΔF	γ	Counts	\sqrt{TS}	VP	ID	Other Name	Note	Ref	z
						40.6	21.5		33	2.0	229.+					
						<			<	0.7	232.0					
						<			<	0.2	302.3					
						<			<	1.2	323.0					
						39.2	16.8		44	2.6	324.0					
						<			<	1.2	330.+					
						<			<	1.7	334.0					
						<			<	1.4	421.0					
						<			<	0.7	422.0					
						67.6			62	1.7	423.0					
						<			<	1.9	421.+					
						<			<	0.3	423.5					
						86.2	23.5		60	4.3	429.0					
						22.2	6.7		160	3.5	P1					
						30.6	9.1		131	3.6	P2					
						18.3	6.7		135	2.9	P3					
						35.4	10.6		106	3.6	P4					
						26.7	5.4		306	5.3	P12					
						23.8	5.7		247	4.5	P34					
						33.1	5.9	2.49	398	6.0	P12					
						36.0	10.4	± 0.14	131	3.7	5.0		2EG J1742-2250	C	a	
						<			<	0.7	7.2					
						<			<	2.0	13.1					
						28.1	11.9		79	2.5	16.0					
						<			<	0.0	210.0					
						<			<	1.3	214.0					
						<			<	1.5	223.+					
						98.6	50.1		23	2.2	231.0					
						90.1			73	1.9	229.+					
						66.9			77	1.7	232.0					
						35.7			42	0.0	302.3					
						67.6	18.8		103	4.0	323.0					
						44.3			44	0.3	324.0					
						28.3	14.5		59	2.1	332.0					
						31.8	13.2		82	2.6	330.+					
						89.6			66	1.4	334.0					
						92.1			23	0.0	336.5					
						52.8			28	0.0	421.0					
						63.6			41	0.7	422.0					
						37.1			37	0.0	423.0					
						24.5			54	0.0	421.+					
						70.9			27	0.0	423.5					
						48.1			29	0.0	429.0					
						32.9	7.4		243	4.8	P1					
						29.7	9.6		137	3.3	P2					
						24.9	7.8		181	3.3	P3					
						20.4			65	0.0	P4					
						13.3	6.2		139	2.2	P34					

TABLE 4—Continued

Name	RA	Dec	l	b	θ_{95}	F	ΔF	γ	Counts	\sqrt{TS}	VP	ID	Other Name	Note	Ref	z	
3EG J1744-0310	266.02	-3.18	22.19	13.42	0.49*	22.7	4.3		509	5.6	P1234						
						21.9	5.3	2.42	129	4.6	P1	A	1741-038	em	d	1.054	
						37.4		± 0.42	38	1.1	5.0				C		
						53.5			23	0.7	7.2						
						48.7	19.6		25	3.1	13.1						
						36.0	10.2		68	4.1	16.0						
						19.9			41	0.5	20.0						
						48.6			21	0.4	223.+						
						43.5			18	0.0	229.+						
						48.9			29	0.8	302.3						
						37.7			40	1.2	324.0						
						16.3			34	0.0	332.0						
						19.2			50	0.7	330.+						
						47.9			15	0.0	334.0						
						64.5			8	0.0	422.0						
					51.5			17	0.4	423.0							
					34.1			19	0.0	421.+							
					23.6			19	0.0	429.0							
					24.7			31	0.2	P2							
					19.5			90	1.5	P3							
					18.0			24	0.0	P4							
					17.6	4.7		126	4.1	P12							
					15.3			91	1.3	P34							
					11.7	3.3		154	3.7	P1234							
3EG J1744-3011	266.23	-30.19	358.85	-0.52	0.32	63.9	7.1	2.17	1442	9.4	P1234		2EG J1747-3039	C	a		
						63.6	15.7	± 0.08	266	4.2	5.0						
						103.4			34	0.0	7.2						
						172.7			67	1.5	13.1						
						106.0	24.1		238	4.6	16.0						
						161.5			57	1.2	27.0						
						181.4			57	1.0	210.0						
						217.8	56.0		92	4.4	214.0						
						194.2			21	0.0	219.0						
						120.8	53.1		55	2.4	223.0						
						100.4			130	1.8	226.0						
						74.0	25.4		130	3.1	223.+						
						133.3			28	0.0	231.0						
						131.3			90	1.5	229.+						
						57.2			82	0.3	232.0						
					78.5			81	0.6	302.3							
					94.9	24.5		191	4.1	323.0							
					117.1	40.2		82	3.1	324.0							
					149.1			56	0.7	330.0							
					117.3	27.7		195	4.5	332.0							
					102.8	25.0		210	4.4	330.+							
					145.0			111	2.0	334.0							
					102.7			40	0.0	336.5							
					126.8			81	1.4	421.0							

TABLE 4—Continued

Name	RA	Dec	l	b	θ_{95}	F	ΔF	γ	Counts	\sqrt{TS}	VP	ID	Other Name	Note	Ref	z
3EG J1744-3934	266.20	-39.57	350.81	-5.38	0.66	119.7	38.9		90	3.3	422.0					
	<	<	<	<	<	61.2		<	62	0.2	423.0					
	<	<	<	<	<	48.8	20.9		117	2.4	421.+					
	<	<	<	<	<	148.7			57	0.8	423.5					
						154.9	54.9		69	3.1	429.0					
						61.2	11.9		458	5.4	P1					
						50.0	15.0		247	3.4	P2					
						74.0	13.1		514	5.9	P3					
						59.2	18.5		191	3.3	P4					
						60.7	9.4		754	6.7	P12					
						68.8	10.7		699	6.7	P34					
						17.1	3.5	2.42	318	5.2	P1234				em	
						29.6		± 0.17	104	2.0	5.0				C	
						32.1			37	0.2	16.0					
						46.3			14	0.0	23.0					
						56.9			34	1.2	27.0					
						45.9			14	0.0	38.0					
						32.7			17	0.0	209.0					
						102.9	39.5		26	3.3	210.0					
						54.4			18	0.0	214.0					
					42.4	15.7		47	3.1	226.0						
					40.7	13.9		60	3.3	223.+						
					73.2			31	0.9	229.+						
					32.3	12.5		53	2.8	232.0						
					59.6	23.1		40	3.0	302.3						
					18.3			40	0.0	323.0						
					92.9			30	0.9	324.0						
					61.2			55	1.4	330.+						
					43.9	23.7		24	2.1	334.0						
					53.6			27	0.2	336.5						
					47.7			29	0.7	421.0						
					37.1			26	0.2	422.0						
					45.6			34	0.5	423.0						
					27.9			57	0.9	421.+						
					77.1			32	1.3	423.5						
					126.5			23	1.3	429.0						
					12.7	5.7		77	2.3	P1						
					32.3	7.4		153	4.9	P2						
					26.6			137	2.0	P3						
					29.5			78	1.5	P4						
					21.4	4.6		230	5.1	P12						
					12.0	5.4		94	2.3	P34						
					29.0	5.1	2.55	259	6.3	P12						
					26.9	11.0	± 0.18	50	2.7	5.0						
					61.9			31	1.0	7.2						
					48.7			30	0.5	13.1						
					26.3	9.6		63	3.0	16.0						
					32.6	12.5		48	3.0	20.0						
3EG J1746-1001	266.50	-10.03	16.34	9.64	0.76								2EG J1746-0935	em	a	
														C		

TABLE 4—Continued

Name	RA	Dec	l	b	θ_{95}	F	ΔF	γ	Counts	\sqrt{FS}	VP	ID	Other Name	Note	Ref	z
	<					87.0			<	14	0.1	210.0				
	<					81.6			<	18	0.0	214.0				
						130.4	81.0			8	2.2	219.0				
						66.3	22.0			40	3.6	226.0				
						64.9	19.1			53	4.1	223.+				
	<					118.2			<	31	1.7	231.0				
	<					74.2			<	45	1.6	229.+				
	<					45.6			<	40	1.0	302.3				
	<					63.3			<	35	1.4	323.0				
	<					25.2	13.3		<	32	2.1	324.0				
	<					16.0			<	50	0.0	330.+				
	<					40.5	22.4		<	20	2.1	334.0				
	<					99.5			<	23	0.8	421.0				
	<					55.0			<	15	0.0	422.0				
	<					67.2			<	37	1.3	423.0				
	<					44.6			<	47	1.1	421.+				
	<					27.8			<	25	0.0	429.0				
						26.1	5.7			178	5.0	P1				
						39.8	11.3			84	4.0	P2				
						12.4	5.6			79	2.3	P3				
	<					26.1			<	51	0.6	P4				
						10.1	4.8			83	2.2	P34				
						19.7	3.5			340	6.0	P1234				
3EG J1746-2851	266.51	-28.86	0.11	-0.04	0.13	119.9	7.4	1.70		2747	17.5	P1234				
						98.3	16.3	± 0.07		409	6.4	5.0		2EG J1746-2852	em	a
	<					196.2			<	73	1.8	7.2		GEV J1746-2854	C	
	<					163.6			<	73	1.4	13.1				
						157.0	24.0			369	7.1	16.0				
						118.4	61.0			36	2.1	27.0				
	<					222.6			<	69	1.7	210.0				
	<					92.5			<	39	0.0	214.0				
	<					389.3			<	41	1.8	219.0				
						161.4	55.2			73	3.2	223.0				
						84.8	30.0			108	3.0	226.0				
						105.8	26.7			183	4.2	223.+				
						206.1	73.2			48	3.2	231.0				
	<					145.1			<	104	1.8	229.+				
						150.5	30.2			205	5.4	232.0				
						77.8	34.6			82	2.3	302.3				
						105.3	25.5			204	4.4	323.0				
	<					123.2			<	96	1.5	324.0				
						247.0	60.4			103	4.6	330.0				
						142.7	27.1			261	5.7	332.0				
						169.7	25.0			381	7.4	330.+				
	<					72.4			<	58	0.0	334.0				
						146.8	61.6			52	2.6	336.5				
						186.9	45.2			115	4.6	421.0				
						112.3	40.1			81	3.0	422.0				

TABLE 4—Continued

Name	RA	Dec	l	b	θ_{95}	F	ΔF	γ	Counts	\sqrt{TS}	VP	ID	Other Name	Note	Ref	z
	<					115.6			<	1.7	423.0					
						121.0	22.7		285	5.7	421.+					
						187.5	60.7		70	3.4	423.5					
						305.7	54.1		152	6.5	429.0					
						111.9	12.3		854	9.7	P1					
						109.4	15.7		534	7.4	P2					
						105.2	13.4		754	8.3	P3					
						160.2	19.9		517	8.8	P4					
						110.5	9.7		1383	12.2	P12					
						122.7	11.1		1275	11.8	P34					
3EG J1757-0711	269.48	-7.20	20.30	8.47	0.68	20.3	4.0	2.51	324	5.5	P1234			em		
	<					44.6		± 0.20	67	1.5	5.0			C		
	<					51.1	21.8		33	2.7	7.2					
	<					62.8			50	1.5	13.1					
	<					39.5			70	1.3	16.0					
	<					42.7	11.5		90	4.3	20.0					
	<					79.1			13	0.0	214.0					
	<					49.6			30	0.3	223.+					
	<					61.0	33.5		19	2.1	231.0					
	<					48.3			25	0.2	229.+					
	<					37.0			25	0.0	302.3					
	<					26.0			32	0.0	324.0					
	<					37.9	20.5		24	2.0	330.0					
	<					34.3			91	1.6	332.0					
	<					19.8	8.8		65	2.4	330.+					
	<					51.1			26	0.1	334.0					
	<					82.1			15	0.0	422.0					
	<					79.9	26.6		38	3.6	423.0					
	<					55.5	19.5		46	3.3	421.+					
	<					35.0	15.9		32	2.5	429.0					
	<					26.3	6.1		179	4.7	P1					
	<					39.3			67	1.2	P2					
	<					21.0			120	1.3	P3					
	<					43.4	12.5		76	4.0	P4					
	<					24.0	5.5		205	4.7	P12					
	<					16.2	5.7		121	3.0	P34					
3EG J1800-0146	270.22	-1.78	25.49	10.39	0.77	26.1	6.1	2.79	151	4.8	P34			em		
	<					25.6		± 0.22	23	0.0	5.0			C		
	<					45.1			27	0.3	7.2					
	<					39.7			29	0.0	13.1					
	<					23.5			31	0.0	16.0					
	<					30.5			82	2.0	20.0					
	<					72.2			7	0.0	214.0					
	<					62.8			17	0.0	231.0					
	<					69.4	29.3		25	2.9	229.+					
	<					48.7			23	0.3	302.3					
	<					35.1	15.0		37	2.6	324.0					
	<					37.7	20.6		21	2.1	330.0					

TABLE 4—Continued

Name	RA	Dec	l	b	θ_{95}	F	ΔF	γ	Counts	\sqrt{TS}	VP	ID	Other Name	Note	Ref	z
3EG J1800-2338	270.12	-23.65	6.25	-0.18	0.32	31.4	9.8		70	3.6	332.0					
						31.1	8.8		87	4.0	330.+					
						83.5			<							
						61.0	31.3		29	0.8	334.0					
						44.2			18	2.3	423.0					
						16.3			36	1.3	429.0					
						61.3			<							
						26.7	6.8		<							
						48.2			<							
						17.5			<							
						15.7	3.8		<							
						61.3	6.7	2.10		202	4.4	P1234				
						59.0	15.6	± 0.10		1359	9.6	P1234		2EG J1801-2312	@	a,p,q
						116.1			<	222	4.0	5.0		GEV J1800-2328	C	
						78.0	35.0		<	73	1.0	7.2		W28 SNR?		
						94.5	23.2			60	2.4	13.1				
						118.5			<	188	4.3	16.0				
						138.3			<	30	0.0	210.0				
						202.7			<	48	0.8	214.0				
						88.8			<	15	0.0	219.0				
					66.4	30.3		<	35	0.0	223.0					
					91.2			<	68	2.3	226.0					
					101.7	54.6		<	130	1.8	223.+					
					135.5			<	36	2.0	231.0					
					103.0			<	102	1.9	229.+					
					102.3	33.5		<	96	1.2	232.0					
					80.0			<	101	3.3	302.3					
					61.9			<	140	1.6	323.0					
					148.0			<	65	0.3	324.0					
					76.9	20.9		<	85	1.7	330.0					
					78.9	18.9			187	3.9	332.0					
					88.0	35.3			237	4.4	330.+					
					138.4			<	78	2.6	334.0					
					170.5			<	28	0.0	336.5					
					164.8			<	82	1.8	421.0					
					91.6	32.1		<	91	1.8	422.0					
					87.7	23.3			90	3.0	423.0					
					189.8	71.0			177	4.0	421.+					
					112.5			<	48	3.0	423.5					
					67.0	11.5			83	1.4	429.0					
					40.5	15.1			480	6.1	P1					
					58.7	11.4			168	2.8	P2					
					84.3	18.8			462	5.4	P3					
					55.4	9.1			253	4.8	P4					
					65.9	9.7			626	6.4	P12					
					87.8	18.4			717	7.1	P34					
3EG J1800-3955	270.22	-39.93	352.05	-8.24	1.01			3.10	82	6.0	330.+	A	2EGS J1800-4005	em	b,j	?
						22.5		± 0.35	79	1.7	5.0		1759-396	C		
						29.2			26	0.2	16.0					

TABLE 4—Continued

Name	RA	Dec	l	b.	θ_{95}	F	ΔF	γ	Counts	\sqrt{FS}	VP	ID	Other Name	Note	Ref	z
	<	<				61.6			<	32	1.4	27.0				
	<	<				69.7			<	14	0.0	35.0				
	<	<				43.5			<	15	0.0	38.0				
	<	<				17.2			<	13	0.0	209.0				
	<	<				65.6			<	15	0.0	210.0				
	<	<				76.2			<	22	1.2	214.0				
	<	<				119.6			<	8	0.0	219.0				
	<	<				22.0			<	30	0.1	223.+				
	<	<				41.5	23.1		<	17	2.1	229.+				
	<	<				19.0			<	29	0.0	232.0				
	<	<				58.4			<	34	1.1	302.3				
	<	<				14.6			<	35	0.0	323.0				
						46.8	27.4			15	2.0	324.0				
						145.7	48.9			25	3.8	330.0				
						77.4	19.7			59	4.9	332.0				
						35.8	19.1			21	2.1	334.0				
	<	<				60.6			<	27	0.7	336.5				
	<	<				30.3			<	17	0.0	421.0				
	<	<				48.1			<	33	1.1	422.0				
	<	<				34.3			<	23	0.3	423.0				
	<	<				16.8			<	32	0.0	421.+				
	<	<				76.7			<	25	1.4	423.5				
	<	<				51.7			<	9	0.0	429.0				
	<	<				15.4			<	84	1.2	P1				
	<	<				13.3			<	61	0.4	P2				
	<	<				25.0	6.0		<	131	4.6	P3				
	<	<				16.3			<	40	0.2	P4				
	<	<				12.3			<	124	1.4	P12				
						17.5	4.7		<	134	4.0	P34				
						9.8	2.9			174	3.6	P1234				
3EG J1806-5005	271.54	-50.10	343.29	-13.76	0.89	62.1	19.7	2.93		27	4.3	23.0	a	PMN J1808-5011?	C	
	<	<				12.0		± 0.43	<	24	0.0	5.0				
	<	<				20.1			<	13	0.0	27.0				
	<	<				60.8			<	24	1.7	35.0				
	<	<				39.1			<	26	1.4	38.0				
	<	<				37.0			<	30	1.6	209.0				
	<	<				20.1			<	15	0.0	223.+				
	<	<				67.4			<	12	0.0	229.+				
	<	<				16.7			<	19	0.0	232.0				
	<	<				43.5			<	11	0.0	302.3				
	<	<				29.5			<	52	1.7	323.0				
	<	<				58.6			<	18	0.9	334.0				
	<	<				45.0			<	19	0.4	336.5				
	<	<				31.2			<	12	0.0	421.0				
	<	<				19.6			<	9	0.0	422.0				
	<	<				38.9			<	13	0.0	423.0				
	<	<				12.3			<	14	0.0	421.+				
						9.1	4.4			37	2.3	P1				

TABLE 4—Continued

Name	RA	Dec	l	b	θ_{95}	F	ΔF	γ	Counts	\sqrt{TS}	VP	ID	Other Name	Note	Ref	z						
3EG J1809-2328	272.49	-23.47	7.47	-1.99	0.16	<	13.3		<	42	0.6	P2										
						<	21.4		<	59	1.5	P3										
						<	14.1			19	0.0	P4										
						<	7.3	3.3		53	2.4	P12										
						<	14.0			58	0.9	P34										
							5.9	2.7		68	2.3	P1234										
						<	41.7	5.6		914	7.8	P1234	2EG J1811-2339	C	a							
						<	45.0			170	1.7	5.0	GEV J1809-2327									
						<	184.4	36.9		128	5.8	7.2										
						<	53.2			45	0.0	13.1										
						<	77.9	21.3		136	3.9	16.0										
						<	177.8			43	1.2	210.0										
						<	141.6			47	1.1	214.0										
							63.0	26.6		61	2.5	226.0										
							63.8	22.7		87	3.0	223.+										
							87.9	46.2		34	2.1	231.0										
							91.3	33.0		66	3.0	229.+										
							55.3	29.2		48	2.0	232.0										
						<	52.3			48	0.0	302.3										
						<	62.9			112	1.4	323.0										
<	106.4	27.6		111	4.3	324.0																
<	64.6			38	0.0	330.0																
	64.8	17.6		160	3.9	332.0																
	47.5	15.5		145	3.2	330.+																
<	50.8			47	0.0	334.0																
<	133.8			25	0.3	336.5																
<	88.7			43	0.5	421.0																
<	85.2	37.1		47	2.5	422.0																
<	45.9			45	0.0	423.0																
<	41.4			83	0.5	421.+																
<	174.0			39	1.2	423.5																
	60.6	29.5		45	2.2	429.0																
	42.0	9.7		297	4.5	P1																
	70.6	13.8		281	5.5	P2																
	37.5	9.4		296	4.2	P3																
<	49.0			145	1.5	P4																
	46.7	7.8		516	6.3	P12																
	31.7	7.9		345	4.2	P34																
	32.4	6.7		309	5.2	P12																
<	46.6			89	1.3	5.0																
	47.4	24.3		38	2.1	7.2																
	46.9	22.8		47	2.2	13.1																
<	52.6			85	1.3	16.0																
<	35.0	13.3		75	2.8	20.0																
<	133.1			18	0.0	210.0																
<	110.1			20	0.2	214.0																
	59.1	24.1		45	2.7	223.+																
<	68.4			28	0.0	231.0																
3EG J1810-1032	272.52	-10.54	18.81	4.23	0.39*	<	46.6	2.29	<	89	1.3	5.0										
							47.4	24.3		38	2.1	7.2										
							46.9	22.8		47	2.2	13.1										
						<	52.6			85	1.3	16.0										
						<	35.0	13.3		75	2.8	20.0										
						<	133.1			18	0.0	210.0										
						<	110.1			20	0.2	214.0										
							59.1	24.1		45	2.7	223.+										
						<	68.4			28	0.0	231.0										

em
C

TABLE 4—Continued

Name	RA	Dec	l	b.	θ_{95}	F	ΔF	γ	Counts	\sqrt{TS}	VP	ID	Other Name	Note	Ref	z
						73.9	28.4		43	3.0	229.+					
						< 104.3			<	1.9	302.3					
						< 47.3			<	0.0	323.0					
						< 69.4			<	1.9	324.0					
						23.7	11.7		70	2.1	332.0					
						< 38.8			<	1.8	330.+					
						< 50.0			<	0.0	334.0					
						< 83.0			<	0.0	421.0					
						109.1	52.7		26	2.3	422.0					
						< 50.1			<	0.0	423.0					
						< 43.9			<	0.2	421.+					
						< 37.6			<	0.0	429.0					
						28.0	7.5		209	4.0	P1					
						36.0	14.4		74	2.7	P2					
						15.2	7.6		106	2.1	P3					
						< 27.0			<	0.0	P4					
						< 23.9			<	1.7	P34					
						21.9	4.7		406	4.9	P1234					
3EG J1812-1316	273.14	-13.27	16.70	2.39	0.39	45.4	5.7	2.29	913	8.5	P1234		2EG J1813-1229	C	a	
						< 42.3		± 0.11	<	0.7	5.0		GEV J1814-1228			
						72.6	28.1		63	2.8	7.2					
						131.1	28.5		140	5.2	13.1					
						< 38.7			<	0.0	16.0					
						< 36.7			<	0.3	20.0					
						< 111.8			<	0.0	214.0					
						< 93.9			<	0.0	223.0					
						< 115.4			<	1.9	226.0					
						87.9	40.9		39	2.4	231.0					
						86.7	33.6		53	2.9	229.+					
						< 68.1			<	0.0	232.0					
						< 93.3			<	1.1	302.3					
						< 103.3			<	1.8	323.0					
						< 46.3			<	0.2	324.0					
						34.9	14.3		107	2.6	332.0					
						37.5	12.9		143	3.1	330.+					
						< 88.0			<	0.9	334.0					
						< 152.6			<	0.9	422.0					
						105.7	32.0		74	3.7	423.0					
						91.7	25.1		113	4.0	421.+					
						< 68.8			<	1.1	429.0					
						35.7	9.0		280	4.1	P1					
						48.6	14.8		131	3.5	P2					
						34.4	9.3		255	3.8	P3					
						67.7	17.4		147	4.2	P4					
						48.5	7.8		511	6.6	P12					
						42.7	8.2		409	5.5	P34					
3EG J1813-6419	273.34	-64.33	330.04	-20.32	0.68	14.2	4.0	2.85	64	4.2	P1234					C
						27.0	14.0	± 0.44	13	2.5	23.0					

TABLE 4—Continued

Name	RA	Dec	l	b	θ_{95}	F	ΔF	γ	Counts	\sqrt{TS}	VP	ID	Other Name	Note	Ref	z
						235.2	80.1		56	3.3	421.0					
						133.7			<		422.0					
						76.7			<		423.0					
						60.3			<		421.+					
						109.5			<	1.5	429.0					
						20.4			<	0.0	P1					
						41.8			<	0.1	P2					
						42.5			<	0.0	P4					
						20.2			<	0.3	P12					
						78.0	11.0		744	7.5	P34					
						42.0	7.4		832	5.8	P1234					
3EG J1824+3441	276.21	34.69	62.49	20.14	0.82	28.7	9.3	2.03	30	4.0	20.0			em		
						16.7		± 0.50	24	0.8	2.0			C		
						12.5			13	0.0	9.2					
						17.2			17	0.2	201.+					
						12.7			19	0.0	203.0					
						12.6			15	0.0	212.0					
						29.2			10	0.0	303.4					
						38.3			13	0.6	302.+					
						28.2			12	0.4	318.1					
						10.8			5	0.0	328.0					
						37.4			13	0.4	331.5					
						32.6			17	0.6	333.0					
						12.7			20	0.0	328.+					
						9.4	3.6		36	3.0	P1					
						7.4			27	0.0	P2					
						9.2			25	0.1	P3					
						9.4			71	1.8	P12					
						11.1			31	0.5	P34					
						8.1			84	1.8	P1234					
3EG J1824-1514	276.20	-15.24	16.37	-1.16	0.52	35.2	6.5	2.19	722	5.6	P1234					
						44.8	17.7	± 0.18	119	2.6	5.0					
						67.2	29.6		69	2.4	7.2					
						58.4			74	0.4	13.1					
						72.7	27.1		94	2.8	16.0					
						41.6	20.5		76	2.1	20.0					
						218.7			33	0.8	210.0					
						202.8	79.0		42	2.9	214.0					
						120.3			33	0.2	223.0					
						84.6	39.9		49	2.3	226.0					
						89.9			47	0.3	231.0					
						73.9			43	0.0	229.+					
						80.4			31	0.0	232.0					
						108.3			70	0.9	302.3					
						87.2	31.3		90	3.0	323.0					
						53.2			63	0.1	324.0					
						135.8			102	1.8	330.0					
						35.4	16.9		110	2.2	332.0					

TABLE 4—Continued

Name	RA	Dec	l	b	θ_{95}	F	ΔF	γ	Counts	\sqrt{TS}	VP	ID	Other Name	Note	Ref	z
						39.0	15.4		151	2.6	330.+					
						<			<	0.0	334.0					
						224.1			<	1.5	421.0					
						<			<	1.4	422.0					
						<			<	0.2	423.0					
						<			100	1.1	421.+					
						104.5	30.8		95	3.7	429.0					
						54.3	10.5		439	5.4	P1					
						<			158	1.4	P2					
						31.8	11.0		240	3.0	P3					
						61.7	20.1		136	3.2	P4					
						41.7	9.0		449	4.8	P12					
						37.1	9.6		363	4.0	P34					
3EG J1825+2854	276.29	28.91	56.79	18.03	0.97*	34.3	10.9	4.47	31	4.0	9.2			em		
						<		± 1.15	18	0.0	2.0			C		
						<			11	0.0	7.1					
						<			20	0.0	20.0					
						<			13	0.0	201.+					
						<			20	0.2	203.0					
						<			17	0.2	212.0					
						<			5	0.0	303.4					
						<			10	0.0	318.1					
						<			14	0.2	328.0					
						<			9	0.0	331.0					
						<			17	0.4	333.0					
						<			32	1.0	328.+					
						<			48	0.9	P1					
						<			25	0.0	P2					
						<			25	0.2	P3					
						<			54	0.6	P12					
						<			26	0.2	P34					
						<			60	0.6	P1234					
3EG J1825-7926	276.26	-79.44	314.56	-25.44	0.78	18.4	4.5	2.47	72	4.9	P1234		2EG J1821-7915	C	a	
						18.6	9.7	± 0.31	15	2.3	17.0					
						<			12	0.6	23.0					
						<			19	1.5	35.0					
						<			20	3.7	38.0					
						<			13	2.3	224.0					
						<			14	2.4	314.0					
						<			10	0.0	315.0					
						<			31	2.0	314.+					
						<			7	0.0	402.+					
						<			39	4.0	P1					
						<			20	2.8	P2					
						<			59	4.9	P12					
						<			27	0.6	P34					
3EG J1826-1302	276.55	-13.04	18.47	-0.44	0.46	66.7	10.1	2.00	682	6.9	P12		2EG J1825-1307	C	a	
						<		± 0.11	165	1.7	5.0					

TABLE 4—Continued

Name	RA	Dec	l	b	θ_{95}	F	ΔF	γ	Counts	\sqrt{TS}	VP	ID	Other Name	Note	Ref	z
	<					57.4			<	60	7.2					
	<					52.7			<	68	13.1					
						107.4	29.1			136	4.0					
						91.4	20.9			201	4.7					
	<					195.0			<	36	0.5					
	<					207.0			<	50	1.4					
	<					121.0			<	62	1.0					
	<					83.9			<	44	0.0					
						248.3	49.1			134	5.8					
						94.2	46.0			56	2.2					
	<					68.0			<	58	0.0					
	<					86.8			<	105	1.2					
	<					46.6			<	186	1.0					
	<					68.0			<	52	0.0					
	<					167.6			<	38	0.2					
						203.1	72.7			51	3.1					
						162.3	41.8			108	4.3					
						184.2	33.6			210	6.0					
	<					108.8			<	99	1.5					
						54.8	11.2			443	5.1					
						104.5	22.5			223	5.0					
	<					26.4			<	195	0.4					
						129.8	23.8			266	5.9					
						33.7	10.8			319	3.2					
						46.3	7.3			912	6.5					
						132.2	24.0			122	6.8					
3EG J1828+0142	277.25	1.72	31.90	5.78	0.55	42.5		2.76	<	31	0.1			2EG J1828+0145	em	a
						18.2		± 0.39	<	73	0.4				C	
						67.3			<	24	0.0					
						57.7			<	13	0.0					
						46.8			<	37	0.3					
						29.1	12.9		<	58	2.4					
						32.2			<	81	1.0					
						73.5			<	19	0.0					
						114.3	50.2		<	20	2.8					
						43.4			<	28	0.0					
						17.7	7.0		<	101	2.7					
						43.9			<	25	0.0					
						36.4			<	130	1.9					
						49.5			<	40	0.7					
						14.4	6.6		<	90	2.3					
						16.2	8.4		<	71	2.0					
						16.6			<	177	1.3					
3EG J1832-2110	278.10	-21.18	11.92	-5.50	0.51	26.6	3.7	2.59		550	7.8			2EG J1834-2138	C	aj
						17.8	8.8	± 0.13	<	58	2.1			GEV J1832-2128		
						30.9			<	32	0.0			1830-210		
						31.7	14.7		<	41	2.4					
						80.3	19.8		<	83	4.7					

TABLE 4—Continued

Name	RA	Dec	l	b	θ_{95}	F	ΔF	γ	Counts	\sqrt{TS}	VP	ID	Other Name	Note	Ref	z
						<	35.4		<	37	0.3					
						<	81.3		<	18	0.0					
						<	80.7		<	25	0.6					
						<	99.3	24.8		66	4.9					
						<	40.3		<	22	0.0					
						<	42.3		<	24	0.0					
						<	68.7	26.1		39	3.1					
						<	89.3		<	57	1.9					
						<	30.0	13.1		47	2.5					
						<	60.7		<	60	1.6					
						<	46.1	10.9		123	4.8					
						<	43.0	9.7		143	5.0					
						<	30.2		<	30	0.0					
						<	53.4	28.1		20	2.2					
						<	51.9	28.3		22	2.1					
						<	35.5		<	28	0.1					
						<	25.7	13.0		41	2.1					
						<	67.7		<	51	1.8					
						<	23.7	5.8		185	4.4					
						<	41.4	10.5		126	4.4					
						<	32.0	6.2		240	5.6					
						<	23.2	10.4		54	2.4					
						<	23.1	5.0		251	4.9					
						<	29.6	5.3		292	6.0					
						<	16.2	2.9	2.62	316	6.2					
						<	14.6	6.2	± 0.20	54	2.6					
						<	46.4		<	38	1.3					
						<	37.7	13.4		39	3.3					
						<	27.8		<	24	0.0					
						<	47.8		<	40	1.6					
						<	77.5		<	15	0.5					
						<	70.0		<	19	0.5					
						<	45.4		<	16	0.0					
						<	45.9		<	35	1.0					
						<	57.4		<	26	0.8					
						<	31.8	17.3		18	2.1					
						<	28.6	14.8		24	2.2					
						<	35.7		<	23	0.3					
						<	14.5		<	31	0.0					
						<	44.5		<	33	0.9					
						<	17.1	8.6		42	2.1					
						<	49.0		<	49	1.7					
						<	72.3	39.4		12	2.3					
						<	37.3		<	18	0.2					
						<	54.4		<	30	1.4					
						<	20.1		<	17	0.0					
						<	15.6		<	29	0.0					
						<	60.7		<	33	1.9					
3EG J1834-2803	278.59	-28.06	5.92	-8.97	0.52								2EGS J1833-2754	ern	b	
														C		

TABLE 4—Continued

Name	RA	Dec	l	b	θ_{95}	F	ΔF	γ	Counts	\sqrt{TS}	VP	ID	Other Name	Note	Ref	z
3EG J1835+5918	278.87	59.32	88.74	25.07	0.15	17.4	5.4		97	3.5	P1					
						20.4	6.2		88	3.6	P2					
						14.7	4.8		105	3.3	P3					
						<			<	0.6	P4					
						18.3	4.0		181	5.0	P12					
						11.9	4.0		114	3.2	P34					
						60.6	4.4	1.69	452	19.0	P1234			2EG J1835+5919	a	
						55.0	14.6	± 0.07	44	4.8	2.0			GEV J1835+5921		
						45.1	14.3		23	4.4	9.2					
						32.5	10.0		31	4.1	22.0					
						81.0	22.8		26	5.1	201.0					
						85.6	19.6		42	6.3	202.0					
						83.7	14.9		69	8.1	201.+					
						78.0	11.9		96	9.3	203.0					
					55.9	8.1		118	9.6	212.0						
					57.0	33.4		6	2.5	302.0						
					84.1	16.4		56	7.5	303.2						
					76.2	32.8		11	3.3	303.4						
					85.5			7	0.3	303.7						
					75.1	13.9		64	7.8	302.+						
					72.4			2	0.0	403.0						
					41.3	7.2		93	7.5	P1						
					66.9	6.1		279	15.4	P2						
					58.6	4.7		376	17.1	P12						
					74.0	12.6		76	8.4	P34						
3EG J1836-4933	279.52	-49.56	345.93	-18.26	0.66	9.8	2.7	2.14	100	4.1	P1234					C
						<		± 0.35	33	1.1	5.0					
						<			10	0.0	27.0					
						<			15	0.6	35.0					
						<			14	0.2	38.0					
						<			15	1.0	42.0					
						<			32	1.7	209.0					
						<			8	0.0	210.0					
						<			10	0.0	214.0					
						<			10	0.1	223.0					
						<			12	0.0	226.0					
						<			17	3.6	229.+					
						<			34	1.7	232.0					
						<			35	1.1	323.0					
					<			12	2.1	334.0						
					<			14	0.5	336.5						
					<			8	2.0	421.0						
					<			22	1.7	422.0						
					<			15	0.3	423.0						
					<			16	2.1	421.+						
					<			45	1.2	P1						
					<			37	2.7	P2						
					<			52	1.9	P3						

TABLE 4—Continued

Name	RA	' Dec	l	b	θ_{95}	F	ΔF	γ	Counts	\sqrt{FS}	VP	ID	Other Name	Note	Ref	z							
3EG J1837-0423	279.41	-4.40	27.44	1.06	0.52	7.2	3.1		49	2.6	P12												
						15.0	5.1		51	3.4	P34												
						310.4	63.7	2.71	99	5.8	423.0												
						<	<	± 0.44	<	46	0.0	5.0											
						<	<		<	59	0.0	7.2											
						<	<		<	65	0.1	13.1											
						<	<		<	160	1.2	20.0											
						<	<		<	19	0.0	43.0											
						<	<		<	18	0.0	223.0											
						<	<		<	49	0.4	231.0											
						<	<		<	58	1.6	229.+											
						<	<		<	30	0.0	302.3											
						<	<		<	68	0.5	324.0											
						<	<		<	42	0.0	330.0											
<	<		<	85	0.0	332.0																	
<	<		<	94	0.0	330.+																	
<	<		<	83	1.9	334.0																	
<	<		<	55	0.3	429.0																	
<	<		<	136	0.0	P1																	
<	<		<	81	1.1	P2																	
<	<		<	129	0.2	P3																	
<	<		<	98	3.3	P4																	
<	<		<	162	0.2	P12																	
<	<		<	231	1.4	P34																	
<	<		<	274	0.8	P1234																	
3EG J1837-0606	279.26	-6.10	25.86	0.40	0.19	49.6	7.9	1.82	745	6.5	P1234		GRO J1835-06	em	s								
						<	<	± 0.14	<	55	0.0	5.0				GEV J1837-0610	C						
						69.5	30.0		82	2.4	7.2												
						80.5			120	1.4	13.1												
						31.3	15.7		109	2.0	20.0												
						89.8			48	0.2	231.0												
						159.7			57	1.1	229.+												
						126.6			44	0.6	302.3												
						59.8	30.1		61	2.1	324.0												
						81.2	38.9		55	2.2	330.0												
						65.8	19.6		178	3.5	332.0												
						68.5	17.5		231	4.1	330.+												
						120.1	48.6		62	2.7	334.0												
						148.6			56	0.9	423.0												
155.4	36.1		131	4.8	429.0																		
27.7	10.8		208	2.6	P1																		
95.9			97	1.3	P2																		
67.6	13.8		355	5.1	P3																		
78.3	29.1		95	2.9	P4																		
30.2	10.2		257	3.0	P12																		
75.9	12.6		491	6.4	P34																		
20.7	5.5		87	4.3	P2								2EG J1847-3220	em	a								
19.2			67	1.8	5.0									C									

TABLE 4—Continued

Name	RA	Dec	l	b	θ_{95}	F	ΔF	γ	Counts	\sqrt{TS}	VP	ID	Other Name	Note	Ref	z
<	<	<	<	<	<	24.4			<	0.0	7.2					
<	<	<	<	<	<	30.0			<	0.9	13.1					
<	<	<	<	<	<	27.7			<	0.0	38.0					
<	<	<	<	<	<	29.2	10.4		35	3.4	209.0					
<	<	<	<	<	<	49.3			11	0.2	214.0					
<	<	<	<	<	<	52.0			34	1.9	226.0					
<	<	<	<	<	<	35.3	20.5		13	2.1	231.0					
<	<	<	<	<	<	47.6			21	0.9	229.+					
<	<	<	<	<	<	48.2			40	1.9	232.0					
<	<	<	<	<	<	21.2			50	1.2	323.0					
<	<	<	<	<	<	33.9			17	0.0	324.0					
<	<	<	<	<	<	41.2			14	0.0	330.0					
<	<	<	<	<	<	17.5			25	0.0	332.0					
<	<	<	<	<	<	15.7			28	0.0	330.+					
<	<	<	<	<	<	25.3			23	0.0	334.0					
<	<	<	<	<	<	30.8			5	0.0	336.5					
<	<	<	<	<	<	34.9			15	0.6	421.0					
<	<	<	<	<	<	29.6			15	0.1	422.0					
<	<	<	<	<	<	23.3			17	0.0	423.0					
<	<	<	<	<	<	14.0			23	0.0	421.+					
<	<	<	<	<	<	30.3			11	0.0	429.0					
<	<	<	<	<	<	15.3			84	1.8	P1					
<	<	<	<	<	<	8.1			50	0.0	P3					
<	<	<	<	<	<	12.3			25	0.0	P4					
<	<	<	<	<	<	13.0	3.3		126	4.3	P12					
<	<	<	<	<	<	6.6			55	0.0	P34					
<	<	<	<	<	<	7.1	2.4		127	3.2	P1234					
3EG J1850+5903	282.54	59.05	88.92	23.18	0.91	46.7	12.8	2.58	43	4.6	2.0					em
<	<	<	<	<	<	32.0		± 0.41	14	0.3	9.2					C
<	<	<	<	<	<	20.8			16	0.0	22.0					
<	<	<	<	<	<	43.0			12	0.0	201.0					
<	<	<	<	<	<	37.1			17	0.0	202.0					
<	<	<	<	<	<	26.7			19	0.0	201.+					
<	<	<	<	<	<	20.8			30	0.4	203.0					
<	<	<	<	<	<	14.0			32	0.3	212.0					
<	<	<	<	<	<	30.7			23	0.8	303.2					
<	<	<	<	<	<	26.7			26	0.8	302.+					
<	<	<	<	<	<	35.4			13	0.0	401.0					
<	<	<	<	<	<	18.6	6.5		40	3.4	P1					
<	<	<	<	<	<	8.9			40	0.0	P2					
<	<	<	<	<	<	19.6			8	0.0	P4					
<	<	<	<	<	<	14.2			94	2.0	P12					
<	<	<	<	<	<	18.5			28	0.6	P34					
<	<	<	<	<	<	12.6			102	2.0	P1234					
3EG J1850-2652	282.67	-26.88	8.58	-11.75	1.00	89.8	29.8	2.29	26	4.2	223.0		2EG J1850-2638	em	a	
<	<	<	<	<	<	15.4	6.7	± 0.45	49	2.5	5.0					
<	<	<	<	<	<	20.0			21	0.0	7.2					
<	<	<	<	<	<	14.8			20	0.0	13.1					

TABLE 4—Continued

Name	RA	Dec	l	b	θ_{95}	F	ΔF	γ	Counts	\sqrt{TS}	VP	ID	Other Name	Note	Ref	z
	<					47.3			<	8	0.0	43.0				
	<					20.4	10.5		<	21	2.2	209.0				
	<					70.8			<	11	0.0	210.0				
	<					54.2			<	11	0.0	214.0				
	<					31.3			<	19	0.0	226.0				
	<					33.8			<	16	0.0	229.+				
	<					56.3			<	30	1.3	231.0				
	<					21.2			<	13	0.0	232.0				
	<					30.6			<	15	0.0	302.3				
	<					24.7			<	48	1.4	323.0				
	<					60.8			<	42	1.8	324.0				
	<					21.2			<	42	0.7	332.0				
	<					24.3			<	60	1.5	330.+				
	<					27.8			<	28	0.5	334.0				
	<					30.2			<	12	0.0	421.0				
	<					40.0			<	17	0.3	422.0				
	<					21.8			<	15	0.0	423.0				
	<					16.4			<	25	0.0	421.+				
	<					32.0			<	17	0.0	429.0				
	<					13.9			<	80	1.3	P1				
	<					10.5	5.6		<	41	2.0	P2				
	<					8.3	4.2		<	55	2.1	P3				
	<					14.0			<	28	0.0	P4				
	<					7.8	3.4		<	75	2.4	P12				
	<					13.3			<	115	1.8	P34				
	<					6.5	2.5		<	119	2.8	P1234				
3EG J1856+0114	284.10	1.24	34.60	-0.54	0.19	67.5	8.6	1.93	<	796	8.4	P1234	2EG J1857+0118	@	a,p,q	
	<					51.8		± 0.10	<	51	0.1	7.2	GEV J1856+0115	em		
	<					54.9			<	68	0.3	13.1	W44 SNR?	C		
	<					75.1	13.7		<	347	5.9	20.0				
	<					218.8	86.9		<	33	2.9	43.0				
	<					148.6			<	61	1.2	231.0				
	<					147.1	41.4		<	91	3.9	324.0				
	<					94.3	45.1		<	46	2.2	330.0				
	<					77.1	22.9		<	148	3.6	332.0				
	<					80.4	20.4		<	193	4.2	330.+				
	<					127.8	63.5		<	33	2.2	334.0				
	<					151.9	45.2		<	76	3.7	429.0				
	<					50.0	10.8		<	350	4.9	P1				
	<					71.7	15.2		<	278	5.0	P3				
	<					51.4	10.5		<	381	5.1	P12				
	<					81.4	14.4		<	356	6.0	P34				
3EG J1858-2137	284.61	-21.62	14.21	-11.15	0.36*	11.2	2.6	3.45	<	205	4.7	P1234		em		
	<					22.0		± 0.38	<	56	1.2	5.0		C		
	<					30.6			<	40	1.1	7.2				
	<					18.9			<	31	0.5	13.1				
	<					38.7			<	43	1.7	20.0				
	<					72.1	34.6		<	17	2.5	43.0				

TABLE 4—Continued

Name	RA	Dec	l	b	θ_{65}	F	ΔF	γ	Counts	\sqrt{TS}	VP	ID	Other Name	Note	Ref	z
						46.8	14.4		39	4.1	209.0					
						<	<		<	<	<					
						61.6			9	0.0	214.0					
						<	<		<	<	<					
						34.8			16	0.0	226.0					
						<	<		<	<	<					
						38.3			25	0.7	231.0					
						<	<		<	<	<					
						35.5			14	0.0	229.+					
						<	<		<	<	<					
						39.2			15	0.0	232.0					
						<	<		<	<	<					
						54.2			22	0.6	302.3					
						<	<		<	<	<					
						22.2	10.1		32	2.5	323.0					
						<	<		<	<	<					
						32.7			25	0.7	324.0					
						<	<		<	<	<					
						14.0	6.6		41	2.3	330.+					
						<	<		<	<	<					
						26.6			25	0.4	334.0					
						<	<		<	<	<					
						41.9	23.7		12	2.2	421.0					
						<	<		<	<	<					
						44.2			14	0.0	422.0					
						<	<		<	<	<					
						33.3			18	0.0	423.0					
						<	<		<	<	<					
						33.9			38	1.0	421.+					
						<	<		<	<	<					
						33.3			19	0.2	429.0					
						<	<		<	<	<					
						12.5			86	1.2	P1					
						<	<		<	<	<					
						14.1	6.3		45	2.5	P2					
						<	<		<	<	<					
						13.1	4.4		85	3.3	P3					
						<	<		<	<	<					
						23.5			40	0.6	P4					
						<	<		<	<	<					
						7.0	3.3		71	2.2	P12					
						<	<		<	<	<					
						12.4	3.9		101	3.4	P34					
						<	<		<	<	<					
						62.1	8.9	2.38	682	7.3	P1234		2EGS J1903+0529	@	b,q	
						66.9	32.2	± 0.17	54	2.2	7.2		GEV J1907+0557	em		
						52.4			53	0.0	13.1		G40.5-0.5 SNR?	C		
						<	<		<	<	<					
						61.7	13.0		307	5.0	20.0					
						<	<		<	<	<					
						316.3			43	1.9	43.0					
						<	<		<	<	<					
						187.5			59	1.4	231.0					
						<	<		<	<	<					
						140.9	69.9		28	2.2	318.1					
						119.8	48.1		51	2.7	324.0					
						<	<		<	<	<					
						101.8			35	0.1	328.0					
						<	<		<	<	<					
						177.2			26	0.4	331.0					
						<	<		<	<	<					
						136.8	54.5		48	2.7	330.0					
						166.3	73.1		40	2.5	331.5					
						101.1	27.5		137	3.9	332.0					
						109.6	24.6		187	4.8	330.+					
						<	<		<	<	<					
						134.4			45	0.8	333.0					
						61.3	30.1		65	2.1	328.+					
						163.7	58.4		56	3.1	429.0					
						49.8	10.8		345	4.8	P1					
						81.1	17.1		275	5.0	P3					
						50.9	10.6		368	5.0	P12					
						60.1	16.0		224	3.9	P34					
						16.7	3.2	2.60	261	5.6	P1234		2EGS J1905-1120		b	
						27.6	11.3	± 0.21	39	2.8	5.0					
						<	<		<	<	<					
						23.8	9.0		37	0.4	7.2					
						20.6	9.0		41	2.6	13.1					
						24.1			64	1.2	20.0					
						<	<		<	<	<					

TABLE 4—Continued

Name	RA	Dec	l	b	θ_{95}	F	ΔF	γ	Counts	\sqrt{TS}	VP	ID	Other Name	Note	Ref	z
						< 105.8			<	30	1.5					
						< 28.6			<	20	0.0					
						< 84.8			<	25	1.0					
						< 75.8	33.1		<	20	2.9					
						< 55.6			<	36	1.4					
						< 46.9			<	39	1.2					
						43.1	19.1			27	2.6					
						22.8	8.4			57	3.0					
						27.5	7.8			85	4.0					
						< 46.6			<	30	0.8					
						< 62.9			<	22	1.0					
						< 49.9			<	29	1.1					
						< 33.5			<	23	0.0					
						15.2	4.5		<	120	3.6					
						34.9			<	39	0.8					
						23.3	5.7		<	128	4.5					
						28.6			<	33	0.6					
						14.2	4.2		<	128	3.6					
						20.1	5.1		<	134	4.4					
3EG J1911-2000	287.93	-20.00	17.03	-13.29	0.54	17.5	2.7	2.39	292	7.2	P1234	A	2EG J1911-1945 1908-201	C	a,e	?
						13.3		± 0.18	<	28	0.0					
						31.5	10.3		<	45	3.6					
						25.4	7.9		<	47	3.8					
						31.9			<	42	1.7					
						33.1			<	28	0.9					
						25.1			<	18	0.2					
						50.4			<	17	0.7					
						30.5	11.1		<	37	3.2					
						38.1			<	26	1.1					
						40.5			<	23	0.9					
						19.3	7.9		<	43	2.7					
						17.6	6.9		<	49	2.9					
						35.7			<	30	0.9					
						42.1			<	9	0.0					
						37.1	20.3		<	16	2.1					
						47.6			<	41	1.9					
						41.1			<	20	0.4					
						16.5	4.1		<	115	4.5					
						23.2			<	60	1.8					
						17.9	4.7		<	104	4.3					
						37.8			<	51	1.8					
						14.9	3.4		<	142	4.9					
						18.0	4.3		<	129	4.7					
3EG J1921-2015	290.50	-20.26	17.81	-15.60	0.65	29.2	8.1	—	53	4.4	5.0	a	1920-211?	C		?
						10.6		—	16	0.0	7.2					
						12.7			<	24	0.0					
						15.0			<	19	0.0					
						18.3			<	18	0.0					

TABLE 4—Continued

Name	RA	' Dec	l	b	θ_{95}	F	ΔF	γ	Counts	\sqrt{FS}	VP	ID	Other Name	Note	Ref	z
	<	<	<	<	<	20.7			<	15	0.1	231.0				
	<	<	<	<	<	22.7			<	25	0.2	323.0				
	<	<	<	<	<	25.2			<	14	0.0	324.0				
	<	<	<	<	<	11.1			<	28	0.0	330.+				
	<	<	<	<	<	22.3			<	18	0.0	334.0				
	<	<	<	<	<	31.0			<	11	0.0	423.0				
	<	<	<	<	<	23.5			<	17	0.0	421.+				
	<	<	<	<	<	11.1			<	76	1.3	P1				
	<	<	<	<	<	12.5			<	26	0.0	P2				
	<	<	<	<	<	7.7			<	40	0.0	P3				
	<	<	<	<	<	19.0			<	21	0.0	P4				
	<	<	<	<	<	8.6			<	77	1.0	P12				
	<	<	<	<	<	7.1			<	45	0.0	P34				
	<	<	<	<	<	4.6			<	71	0.0	P1234				
3EG J1928+1733	292.10	17.56	52.71	0.07	0.75	157.0	36.9	2.23	89	5.0	331.5			em		
	<	<	<	<	<	50.9	20.6	± 0.32	71	2.7	2.0					
	<	<	<	<	<	50.3	25.3		45	2.1	7.1					
	<	<	<	<	<	20.6			75	0.0	20.0					
	<	<	<	<	<	41.9	19.0		65	2.3	203.0					
	<	<	<	<	<	143.8			13	0.0	303.4					
	<	<	<	<	<	49.0			28	0.0	318.1					
	<	<	<	<	<	47.6			39	0.1	328.0					
	<	<	<	<	<	155.6			56	1.9	331.0					
	<	<	<	<	<	77.6			61	1.0	333.0					
	<	<	<	<	<	68.1	15.8		172	4.7	328.+					
	<	<	<	<	<	32.3			191	1.8	P1					
	<	<	<	<	<	33.9	12.8		108	2.8	P3					
	<	<	<	<	<	29.9			223	2.0	P12					
	<	<	<	<	<	20.9	6.7		223	3.2	P1234					
3EG J1935-4022	293.98	-40.38	358.65	-25.23	0.29	21.9	4.9	2.86	98	5.2	P1	A	2EG J1934-4014	em	a,d,e	0.966
	<	<	<	<	<	22.6	7.3	± 0.40	43	3.7	5.0		1933-400	C		
	<	<	<	<	<	58.3			25	1.3	7.2					
	<	<	<	<	<	25.7			14	0.3	13.1					
	<	<	<	<	<	93.9	31.4		21	4.1	35.0					
	<	<	<	<	<	57.2	20.7		21	3.5	38.0					
	<	<	<	<	<	17.2			15	0.0	42.0					
	<	<	<	<	<	94.0			12	0.8	43.0					
	<	<	<	<	<	16.0	5.8		38	3.2	209.0					
	<	<	<	<	<	29.1			4	0.0	223.0					
	<	<	<	<	<	40.3			10	0.0	231.0					
	<	<	<	<	<	9.8			4	0.0	232.0					
	<	<	<	<	<	11.5			19	0.0	323.0					
	<	<	<	<	<	20.4			11	0.0	334.0					
	<	<	<	<	<	81.1			15	1.4	421.0					
	<	<	<	<	<	83.6			17	1.2	422.0					
	<	<	<	<	<	28.9			8	0.0	423.0					
	<	<	<	<	<	34.3			23	1.0	421.+					
	<	<	<	<	<	15.1			48	1.4	P2					

TABLE 4—Continued

Name	RA	Dec	l	b	θ_{95}	F	ΔF	γ	Counts	\sqrt{TS}	VP	ID	Other Name	Note	Ref	z
3EG J1937-1529	294.47	-15.49	23.95	-17.12	0.91	<	9.9		<	22	0.0	P3				
						<	14.0	3.4		108	4.7	P12				
						<	9.3			27	0.0	P34				
							8.5	2.7		89	3.4	P1234				
							55.0	18.6	3.45	25	4.0	43.0	A	1936-155	em	1.657
							22.0	9.8	± 1.27	24	2.7	5.0			C	
						<	25.5			41	1.5	7.2				
						<	11.2			23	0.0	13.1				
						<	14.5			25	0.2	20.0				
						<	19.1			14	0.0	209.0				
						<	69.5			6	0.0	223.0				
						<	22.1			16	0.0	231.0				
						<	57.3			10	0.3	229.+				
						<	20.1			13	0.0	323.0				
						<	27.1			12	0.0	324.0				
<	12.7			26	0.0	330.+										
<	15.8			9	0.0	334.0										
<	44.6			11	0.0	423.0										
<	32.5			12	0.0	429.0										
<	11.0	3.5		77	3.5	P1										
<	11.8			20	0.0	P2										
<	8.3			31	0.0	P3										
<	23.6			14	0.0	P4										
<	7.6	3.0		67	2.8	P12										
<	7.8			34	0.0	P34										
<	7.4			97	1.3	P1234										
3EG J1940-0121	295.23	-1.36	37.41	-11.62	0.79	<	41.0	10.7	3.15	61	4.7	330.+				
						<	19.2		± 0.39	25	0.0	7.2				
						<	18.5			30	0.8	13.1				
						<	9.9			36	0.0	20.0				
						<	46.9			18	0.4	43.0				
						<	35.4			18	0.3	231.0				
						<	69.5			23	1.1	324.0				
						<	81.8			16	1.0	328.0				
						<	82.5			7	0.0	331.0				
						<	58.3	24.7		18	3.2	330.0				
						<	82.3			11	0.6	331.5				
						<	33.6	11.8		40	3.4	332.0				
						<	37.1			7	0.0	333.0				
						<	31.0			19	0.3	328.+				
						<	42.2			10	0.0	334.0				
<	73.1			22	1.1	429.0										
<	10.8			74	1.0	P1										
<	25.3	7.2		67	4.1	P3										
<	9.6			71	0.8	P12										
<	25.6	6.9		75	4.3	P34										
<	8.7	3.2		90	3.0	P1234										
<	54.3	12.9		50	5.8	42.0										
3EG J1949-3456	297.29	-34.94	5.25	-26.29	0.61											
													2EG J1950-3503	em	a	

TABLE 4—Continued

Name	RA	Dec	l	b	θ_{95}	F	ΔF	γ	Counts	\sqrt{TS}	VP	ID	Other Name	Note	Ref	z
<	<	<	<	<	<	22.5		—	<	0.9	5.0					
<	<	<	<	<	<	49.3			<	2.0	7.2					
<	<	<	<	<	<	19.8			<	0.3	13.1					
<	<	<	<	<	<	31.9			<	0.0	35.0					
<	<	<	<	<	<	31.6			<	0.0	38.0					
<	<	<	<	<	<	39.6			<	0.0	43.0					
<	<	<	<	<	<	19.2			<	1.5	209.0					
<	<	<	<	<	<	56.4			<	0.0	223.0					
<	<	<	<	<	<	42.4			<	0.3	231.0					
<	<	<	<	<	<	11.9			<	0.0	323.0					
<	<	<	<	<	<	48.8			<	1.9	330.+					
<	<	<	<	<	<	26.2			<	0.0	334.0					
<	<	<	<	<	<	61.6			<	0.6	422.0					
<	<	<	<	<	<	25.3			<	0.0	423.0					
<	<	<	<	<	<	22.1			<	0.0	421.+					
<	<	<	<	<	<	16.5	4.5		<	4.3	P1					
<	<	<	<	<	<	15.5			<	1.1	P2					
<	<	<	<	<	<	9.9			<	0.0	P3					
<	<	<	<	<	<	12.0	3.3		<	4.1	P12					
<	<	<	<	<	<	8.7			<	0.0	P34					
<	<	<	<	<	<	5.0	2.5		<	2.1	P1234					
3EG J1955-1414	298.94	-14.25	27.01	-20.56	0.84	30.1	7.0	2.53	75	5.3	P34		2EGS J1954-1419	em	b	
<	<	<	<	<	<	19.2		± 0.28	29	0.8	7.2				C	
<	<	<	<	<	<	19.9			39	1.1	13.1					
<	<	<	<	<	<	27.4			44	1.8	20.0					
<	<	<	<	<	<	21.9			12	0.0	43.0					
<	<	<	<	<	<	33.9			24	1.1	209.0					
<	<	<	<	<	<	32.4			21	0.7	231.0					
<	<	<	<	<	<	55.0			16	0.9	324.0					
<	<	<	<	<	<	35.7	21.1		11	2.2	330.0					
<	<	<	<	<	<	29.1	10.0		34	3.6	332.0					
<	<	<	<	<	<	25.4	8.5		38	3.6	330.+					
<	<	<	<	<	<	45.9	18.9		20	3.1	334.0					
<	<	<	<	<	<	11.5			64	1.3	P1					
<	<	<	<	<	<	22.6			31	1.0	P2					
<	<	<	<	<	<	29.6	7.5		66	4.9	P3					
<	<	<	<	<	<	10.5			73	1.3	P12					
<	<	<	<	<	<	10.7	3.0		101	4.0	P1234					
3EG J1958+2909	299.69	29.16	66.23	-0.16	0.57	26.9	4.8	1.85	424	5.9	P1234		GEV J1957+2859	em	c	
<	<	<	<	<	<	28.7		± 0.20	80	0.7	2.0					
<	<	<	<	<	<	39.8			61	0.9	7.1					
<	<	<	<	<	<	34.3			49	0.5	20.0					
<	<	<	<	<	<	42.9	10.4		159	4.5	203.0					
<	<	<	<	<	<	52.1	17.9		68	3.2	212.0					
<	<	<	<	<	<	51.6	19.7		48	2.9	318.1					
<	<	<	<	<	<	56.5	19.2		63	3.3	328.0					
<	<	<	<	<	<	70.2			35	0.6	331.0					
<	<	<	<	<	<	73.0			56	1.3	331.5					

TABLE 4—Continued

Name	RA	Dec	l	b	θ_{95}	F	ΔF	γ	Counts	\sqrt{TS}	VP	ID	Other Name	Note	Ref	z
						<	45.5		<	67	7.1		GEV J2020+3658			
						<	47.4	11.0		224	4.6	203.0				
						<	29.6			62	0.0	212.0				
						<	60.2			56	0.6	302.+				
						<	41.7	20.7		36	2.2	318.1				
						<	82.0			74	1.6	328.0				
							73.2	35.8		30	2.3	331.0				
							73.8	31.5		46	2.6	331.5				
							82.8	26.7		69	3.5	333.0				
							62.1	14.3		172	4.7	328.+				
							30.4	10.6		140	3.0	P1				
							28.1	8.9		191	3.3	P2				
							48.8	10.5		228	5.0	P3				
							26.4	6.8		302	4.0	P12				
3EG J2020+4017	305.25	40.30	78.05	2.08	0.16	123.7	6.7	2.08	1974	21.0	P1234		2EG J2020+4026	@	a,p,q	
						132.3	15.9	± 0.04	398	9.5	2.0		GEV J2020+4023	C		
						88.8	22.1		116	4.5	7.1		γ Cyg SNR?			
						135.1	12.6		653	12.3	203.0					
						100.4	16.9		243	6.7	212.0					
						<	351.4		<	37	1.9	302.0				
							106.4	27.2		95	4.4	303.2				
							166.1	91.1		15	2.2	303.4				
							147.1	76.8		14	2.3	303.7				
							119.9	25.1		131	5.4	302.+				
							65.6	24.8		51	2.9	318.1				
							175.5	31.9		139	6.5	328.0				
							125.6	44.5		46	3.2	331.0				
							89.3	36.0		49	2.7	331.5				
							163.4	33.4		119	5.7	333.0				
							145.5	17.9		353	9.4	328.+				
							117.5	12.9		507	10.4	P1				
							123.1	10.1		893	13.9	P2				
							122.3	12.7		537	11.0	P3				
							121.4	7.9		1404	17.4	P12				
3EG J2020-1545	305.10	-15.75	28.09	-26.62	0.90	11.8	3.4	3.40	65	4.0	P1			em		
						<	24.5	± 0.55	<	37	1.9	13.1		C		
							18.7	9.0		16	2.6	19.0				
							17.5	9.5		16	2.3	20.0				
						<	22.3		<	11	0.0	231.0				
						<	24.1		<	16	0.3	332.0				
						<	17.5		<	15	0.0	330.+				
						<	20.4		<	29	0.9	P2				
						<	14.2		<	16	0.0	P3				
							10.2	3.0		70	3.8	P12				
							9.2	2.8		74	3.6	P1234				
3EG J2021+3716	305.30	37.27	75.58	0.33	0.30	59.1	6.2	1.86	949	10.3	P1234		2EG J2019+3719	C	a	
						46.2	14.1	± 0.10	143	3.5	2.0		(partial)			
						87.1	20.5		128	4.8	7.1					

TABLE 4—Continued

Name	RA	Dec	l	b	θ_{95}	F	ΔF	γ	Counts	\sqrt{TS}	VP	ID	Other Name	Note	Ref	z
						54.9	11.6		263	5.0	203.0					
						88.4	17.3		189	5.7	212.0					
						172.5	86.8		16	2.4	302.0					
						56.5	27.3		44	2.2	303.2					
						<	171.2		<	0.0	303.4					
						<	168.6		<	0.0	303.7					
						77.8	25.6		74	3.3	302.+					
						<	41.2		<	0.0	318.1					
						66.5	25.9		59	2.8	328.0					
						<	132.7		<	1.5	331.0					
						99.7	34.5		60	3.2	331.5					
						<	53.1		<	0.0	333.0					
						57.8	15.4		42	4.0	328.+					
						61.1	11.5		155	4.0	P1					
						69.0	9.7		279	5.7	P1					
						42.1	11.3		478	7.7	P2					
						65.5	7.4		192	4.0	P3					
						24.7	5.2	2.31	753	9.6	P12					
3EG J2023+4317	305.52	43.29	80.63	3.62	0.72			± 0.19	391	5.0	P1234			em		
						<	23.9		67	0.1	2.0			C		
						<	62.4		73	1.3	7.1					
						<	99.0		52	1.7	34.0					
						35.6	10.1		164	3.7	203.0					
						25.7	12.7		68	2.1	212.0					
						<	75.2		75	1.8	303.2					
						<	78.7		8	0.0	303.7					
						<	63.4		77	1.6	302.+					
						<	64.0		44	0.9	318.1					
						<	79.8		54	1.3	328.0					
						<	80.8	42.1	25	2.1	331.0					
						<	89.8		42	0.7	331.5					
						<	75.5		48	0.7	333.0					
						<	32.4	15.2	68	2.3	328.+					
						<	32.6		146	1.5	P1					
						<	31.2	7.9	226	4.2	P2					
						26.2	10.3		107	2.7	P3					
						24.0	6.1		282	4.1	P12					
						74.5	13.4	2.38	77	7.6	7.2	A	2EG J2023-0836	em	a,d,e	1.388
3EG J2025-0744	306.36	-7.75	36.72	-24.40	0.44	<	18.8	± 0.17	25	0.7	13.1		GEV J2024-0812			
						<	30.5	8.8	41	4.4	19.0		2022-077			
						<	21.8		34	1.5	20.0					
						<	32.4	14.1	19	2.9	43.0					
						<	43.1		18	1.0	231.0					
						23.0	4.0		135	7.1	P1					
						21.8	3.8		137	7.0	P12					
						21.2	3.5		148	7.3	P1234					
3EG J2027+3429	306.95	34.50	74.08	-2.36	0.77	<	25.9	2.28	402	5.8	P1234		2EG J2026+3610	em	a	
						<	38.0	± 0.15	114	1.7	2.0			C		
						33.7	14.6		54	2.5	7.1					

TABLE 4—Continued

Name	RA	Dec	l	b	θ_{95}	F	ΔF	γ	Counts	\sqrt{TS}	VP	ID	Other Name	Note	Ref	z
	<	<	<	<	<	16.9			<	77	0.0	203.0				
	<	<	<	<	<	45.0			<	82	1.3	212.0				
	<	<	<	<	<	100.7			<	8	0.0	302.0				
						99.3	28.6		65	4.0	303.2					
						62.3	24.1		50	2.8	302.+					
						37.2	18.9		32	2.2	318.1					
						47.3	20.0		43	2.6	328.0					
	<	<	<	<	<	49.9			21	0.0	331.0					
	<	<	<	<	<	77.5			49	1.1	331.5					
	<	<	<	<	<	73.8			61	1.5	333.0					
						31.0	11.4		87	2.9	328.+					
						25.5	8.6		118	3.2	P1					
						25.8	7.5		165	3.6	P2					
						33.7	8.9		152	4.0	P3					
						22.1	5.6		243	4.2	P12					
3EG J2033+4118	308.41	41.32	80.27	0.73	0.28	73.0	6.7	1.96	1165	11.8	P1234		2EG J2033+4112	C	a	
						67.2	16.0	± 0.10	189	4.6	2.0					
						70.4	23.4		92	3.2	7.1					
	<	<	<	<	<	119.9			63	1.8	34.0					
						62.4	12.6		296	5.3	203.0					
						104.1	18.2		250	6.4	212.0					
						57.6	26.8		53	2.3	303.2					
	<	<	<	<	<	139.1			14	0.0	303.7					
	<	<	<	<	<	65.0			73	1.0	302.+					
	<	<	<	<	<	86.0			60	1.6	318.1					
						127.4	32.8		95	4.4	328.0					
						115.4	45.7		40	2.9	331.0					
						103.5	40.2		53	2.8	331.5					
	<	<	<	<	<	91.8			63	0.9	333.0					
						95.8	18.6		219	5.7	328.+					
						74.1	12.4		344	6.5	P1					
						76.8	10.3		548	8.1	P2					
						62.0	12.7		259	5.3	P3					
						73.5	7.9		866	10.1	P12					
3EG J2034-3110	308.73	-31.18	12.25	-34.64	0.73*	17.4	5.2	3.43	50	4.0	P1					em
	<	<	<	<	<	28.6		± 0.78	16	0.0	7.2					
	<	<	<	<	<	37.6			27	1.9	13.1					
	<	<	<	<	<	11.4	6.6		15	2.1	42.0					
	<	<	<	<	<	6.2			14	0.0	209.0					
	<	<	<	<	<	14.6			4	0.0	231.0					
	<	<	<	<	<	20.1			12	0.0	323.0					
	<	<	<	<	<	32.4	19.6		9	2.1	334.0					
	<	<	<	<	<	5.2			14	0.0	P2					
	<	<	<	<	<	27.3			24	1.0	P3					
	<	<	<	<	<	10.6			58	1.7	P12					
						5.2	2.8		33	2.0	P1234					
3EG J2035+4441	308.85	44.69	83.17	2.50	0.54	29.2	5.5	2.08	444	5.5	P1234					@
	<	<	<	<	<	45.5		± 0.26	118	1.6	2.0					em

TABLE 4—Continued

Name	RA	Dec	l	b	θ_{95}	F	ΔF	γ	Counts	\sqrt{TS}	VP	ID	Other Name	Note	Ref	z
						46.6	21.1		52	2.4	7.1			C		
						<			<	0.0	34.0					
						44.5	11.1		198	4.3	203.0					
						26.8	13.2		69	2.1	212.0					
						<			<	0.0	302.0					
						48.4	21.4		50	2.5	303.2					
						<			<	0.0	303.4					
						80.4			9	0.0	303.7					
						58.1			73	1.4	302.+					
						48.3			29	0.0	318.1					
						<			<	0.0	328.0					
						54.2			33	0.0	328.0					
						<			<	0.0	331.0					
						86.3			24	0.0	331.0					
						153.7	42.2		64	4.3	331.5					
						66.2	32.4		37	2.2	333.0					
						50.5	17.0		94	3.2	328.+					
						21.0	10.0		93	2.2	P1					
						37.2	8.5		261	4.6	P2					
						31.2	11.1		118	3.0	P3					
						32.1	6.5		367	5.2	P12					
3EG J2036+1132	309.18	11.54	56.12	-17.18	0.62*	13.3	3.1	2.83	121	4.9	P1234	A	2EG J2039+1131	em	a,e	0.601
						<		± 0.26	26	1.0	2.0		2032+107	C		
						25.4	9.6		28	3.3	7.1					
						12.7			18	0.0	19.0					
						<			<	0.3	20.0					
						14.7			24	0.3	20.0					
						32.7	10.5		37	3.8	203.0					
						<			<	0.5	318.1					
						34.6			14	0.5	318.1					
						35.9	15.0		20	3.0	328.0					
						<			<	0.0	331.0					
						28.1			7	0.0	331.0					
						<			<	0.0	331.5					
						38.5			15	0.0	331.5					
						23.5			11	0.0	333.0					
						27.7			46	1.7	328.+					
						21.8	11.0		15	2.5	410.0					
						10.2	3.8		53	3.0	P1					
						19.6			40	1.1	P3					
						14.2	3.7		90	4.4	P12					
						11.7	5.6		32	2.4	P34					
3EG J2046+0933	311.58	9.57	55.75	-20.23	0.60*	20.8	6.2	2.22	51	4.1	P34			em		
						<		± 0.51	25	0.5	7.1			C		
						32.3			11	0.0	7.2					
						23.3			10	0.0	13.1					
						11.7	6.1		20	2.2	19.0					
						12.1			19	0.0	20.0					
						18.9			17	0.0	203.0					
						40.5	18.4		14	2.9	318.1					
						41.9			20	0.9	328.0					
						56.5			12	1.1	331.0					
						33.1			11	0.0	331.5					
						56.5			23	1.7	333.0					

TABLE 4—Continued

Name	RA	Dec	l	b	θ_{95}	F	ΔF	γ	Counts	\sqrt{TS}	VP	ID	Other Name	Note	Ref	z	
3EG J2251-1341	342.80	-13.69	52.48	-58.91	0.77	40.4	9.5	2.43	40	6.0	404.0						
						43.5		± 0.46	<	1.2	9.1						
						30.0			<	0.9	13.2						
						6.8			<	0.1	19.0						
						30.3			<	1.4	320.0						
						9.7			<	0.0	327.0						
						5.7			<	0.0	P1						
						12.9			<	0.6	P3						
						34.2	8.9		<	5.4	P4						
						5.6			<	0.1	P12						
						16.5	4.8		<	4.4	P34						
						6.5	2.4		39	3.1	P1234						
3EG J2254+1601	343.51	16.02	86.05	-38.30	0.28	53.7	4.0	2.21	467	17.9	P1234	A	2EG J2253+1615	C	a, d, e	0.859	
						81.5	8.8	± 0.06	176	13.4	19.0			GEV J2253+1622			
						91.0	23.9		31	5.2	26.0			2251+158			
						25.1	14.1		15	2.1	28.0			3C 454.3			
						60.6	13.3		57	5.8	26.+						
						116.1	18.4		74	9.5	37.0						
						24.6	9.6		31	3.0	320.0						
						33.8	11.3		30	3.7	327.0						
						49.0			18	1.0	336.0						
						48.8	6.8		121	10.2	410.0						
						75.0	6.8		281	15.3	P1						
						28.7	6.7		72	5.2	P3						
						39.6	4.8		196	10.7	P34						
3EG J2255+1943	343.99	19.73	89.03	-35.43	0.87*	62.2	21.5	2.36	21	4.0	336.0	a	2250+1926?	em		?	
						19.0		± 0.61	30	0.9	19.0						
						17.3			18	0.1	26.+						
						18.9			12	0.0	37.0						
						16.9			19	0.2	320.0						
						21.4			17	0.0	327.0						
						14.6	5.3		38	3.2	410.0						
						9.9			32	0.3	P1						
						19.7			44	1.5	P3						
						10.6	3.8		51	3.1	P34						
						5.8	2.8		47	2.2	P1234						
3EG J2255-5012	343.99	-50.21	338.75	-58.12	0.70*	23.6	7.4	2.79	27	4.4	404.0						
						19.2		± 0.53	13	0.4	9.1						
						13.1			10	0.0	10.0						
						17.5			10	0.0	13.2						
						19.3			17	0.7	42.0						
						17.8			11	0.0	209.0						
						30.9			6	0.0	220.0						
						15.0			6	0.0	224.0						
						29.6			7	0.0	428.0						
						6.8			20	0.0	P1						
						8.9			11	0.0	P2						
						17.5	6.1		24	3.9	P4						

TABLE 4—Continued

Name	RA	Dec	l	b	θ_{95}	F	ΔF	γ	Counts	\sqrt{TS}	VP	ID	Other Name	Note	Ref	z			
3EG J2314+4426	348.70	44.44	105.32	-15.10	0.78	<	5.4		<	22	0.0	P12							
						<	9.2		<	50	1.8	P1234							
						<	40.4	10.0	2.34	49	5.4	P4					em		
						<	48.4		± 0.32	9	0.2	26.0							
						<	32.9			10	0.0	28.0							
						<	27.0			14	0.0	26.+							
						<	24.8			40	1.7	34.0							
						<	24.0			27	0.8	211.0							
						<	32.9			9	0.0	303.2							
						<	31.0			11	0.0	302.+							
3EG J2321-0328	350.41	-3.48	76.82	-58.07	1.24	<	44.6	15.0	<	27	4.0	401.0							
						<	33.9	13.0		20	3.5	410.0							
						<	10.6	5.7		25	2.1	P1							
						<	14.9			52	1.4	P12							
						<	35.5	8.6		55	5.3	P34							
						<	13.9	4.0		70	4.0	P1234							
						<	38.2	10.1		39	5.1	320.0	A	2EGS J2322-0321				b,j,j	1.411
						<	6.5			15	0.0	19.0							
						<	29.0			5	0.0	26.0							
						<	12.3			4	0.0	28.0							
3EG J2352+3752	358.10	37.88	110.26	-23.54	0.94	<	9.1		<	5	0.0	26.+							
						<	26.5			10	0.0	37.0							
						<	7.6			8	0.0	327.0							
						<	26.5			8	0.0	336.0							
						<	16.3			13	0.0	410.0							
						<	5.5			18	0.0	P1							
						<	8.2	4.4		19	2.1	P3							
						<	14.1			45	1.9	P34							
						<	6.0			38	0.7	P1234							
						<	37.5	10.3		38	4.8	211.0	a	2EGS J2354+3811				em	1.032
3EG J2358+4604	359.57	46.07	113.39	-15.82	0.68	<	12.7	2.47	<	14	0.0	26.+							
						<	11.3			12	0.0	34.0							
						<	23.2			12	0.7	37.0							
						<	37.4			3	0.0	336.0							
						<	16.8			11	0.2	410.0							
						<	7.0			19	0.0	P1							
						<	21.4			14	0.3	P4							
						<	8.5	3.6		31	2.7	P12							
						<	16.3			12	0.0	P34							
						<	6.1	3.2		27	2.1	P1234							
3EG J2358+4604	359.57	46.07	113.39	-15.82	0.68	<	14.3	3.7	<	69	4.6	P1234	A	2351+456					
						<	18.6			11	0.2	26.+					em	1.992	
						<	25.7			40	1.9	34.0					C		
						<	42.8	20.3		11	3.0	37.0							
						<	16.4	6.4		29	3.1	211.0							
						<	18.2	10.1		12	2.3	401.0							
						<	11.8	5.2		28	2.7	P1							
						<	13.5	4.0		56	4.0	P12							

TABLE 4—Continued

Name	RA	Dec	l	b	θ_{95}	F	ΔF	γ	Counts	\sqrt{TS}	VP	ID	Other Name	Note	Ref	z
3EG J2359+2041	359.99	20.70	107.01	-40.58	1.04	16.0	4.7	2.09	48	4.2	P1	A	2356+196	C	a,d,e	1.066
						20.9	9.8	± 0.35	15	2.8	26.0		2EG J0000+2041			
						21.5		<	26	1.4	28.0					
						12.8	5.5		25	2.8	26.+					
						26.3	9.0		28	3.8	37.0					
						17.7			14	0.0	320.0					
						31.5			20	1.7	327.0					
						22.2			7	0.0	336.0					
						19.1			21	1.1	410.0					
						19.4			10	0.0	425.0					
						12.7			22	0.4	P3					
						13.4			22	0.7	P4					
						8.4			28	0.5	P34					
						8.3	2.8		53	3.4	P1234					

REFERENCES.—

- a 2EG
- b 2EGS
- c Lamb & Macomb 1997
- d von Montigny et al. 1995
- e Mukherjee et al. 1997
- f Tavani et al. 1998
- g Mattox et al. 1995
- h McGlynn et al. 1996
- i Mattox et al. 1997a
- j Bloom et al. 1997a
- k Mattox et al. 1997b
- l Tavani et al. 1997
- m Vestrand et al. 1995
- n Catanese et al. 1997
- o Bloom et al. 1997b
- p Esposito et al. 1996
- q Sturmer & Dermer 1995
- r Nolan et al. 1996
- s Fichtel et al. 1994
- t Mukherjee et al. 1995b
- u Zook et al. 1997
- v Brazier et al. 1998
- w Halpern & Eracleous 1997
- x Verbunt et al. 1996
- y Kuiper et al. 1998
- z Hermsen et al. 1998

TABLE 5
 SOURCES FROM THE SECOND EGRET CATALOG AND
 SUPPLEMENT NOT APPEARING IN THE THIRD CATALOG

Source	\sqrt{TS} in 2EG	present analysis
2EG J0403+3357	4.5	3.2
2EG J0426+6618	4.5	3.2
2EGS J0500+5902	4.0	3.3
2EGS J0552-1026	4.3	3.5
2EG J1136-0414	4.1	3.2
2EGS J1236-0416	4.2	3.9+
2EG J1239+0441	6.3	3.9 ¹
2EG J1314+5151	4.0	3.6
2EG J1430+5356	4.1	3.8
2EG J1443-6040	5.2	4.3
2EG J1631-2845	6.0	3.9 ²
2EG J1709-0350	4.3	3.9+
2EG J1815+2950	4.0	3.8
2EG J2027+1054	4.4	2.9

¹counts split between 3EG J1236+0457 and a source below the catalog threshold

²counts split between 3EG J1625-2955, 3EG J1638-2749, and a source below the catalog threshold

TABLE 6
EGRET COMBINED VIEWING PERIODS

CVP	Viewing Periods Combined							
0.2+	=	0.2	+	0.3	+	0.4	+	0.5
24.+	=	24.0	+	24.5				
26.+	=	26.0	+	28.0				
36.+	=	36.0	+	36.5				
201.+	=	201.0	+	202.0				
virgo2	=	204.0	+	205.0	+	206.0		
215.+	=	215.0	+	217.0				
223.+	=	223.0	+	226.0				
227.+	=	227.0	+	228.0				
229.+	=	229.0	+	229.5				
230.+	=	230.0	+	230.5				
302.+	=	302.0	+	303.2	+	303.7		
virgo3a	=	304.0	+	305.0	+	306.0	+	307.0
virgo3b	=	311.0	+	311.6	+	312.0	+	313.0
314.+	=	314.0	+	315.0				
319.+	=	319.0	+	319.5				
321.+	=	321.1	+	321.5				
328.+	=	328.0	+	331.0	+	331.5	+	333.0
330.+	=	330.0	+	332.0				
335.+	=	335.0	+	335.5				
402.+	=	402.0	+	402.5				
virgo4	=	405.0	+	406.0	+	407.0	+	408.0
411.+	=	411.1	+	411.5				
412.+	=	412.0	+	413.0				
419.+	=	419.1	+	419.5				
421.+	=	421.0	+	422.0	+	423.0		

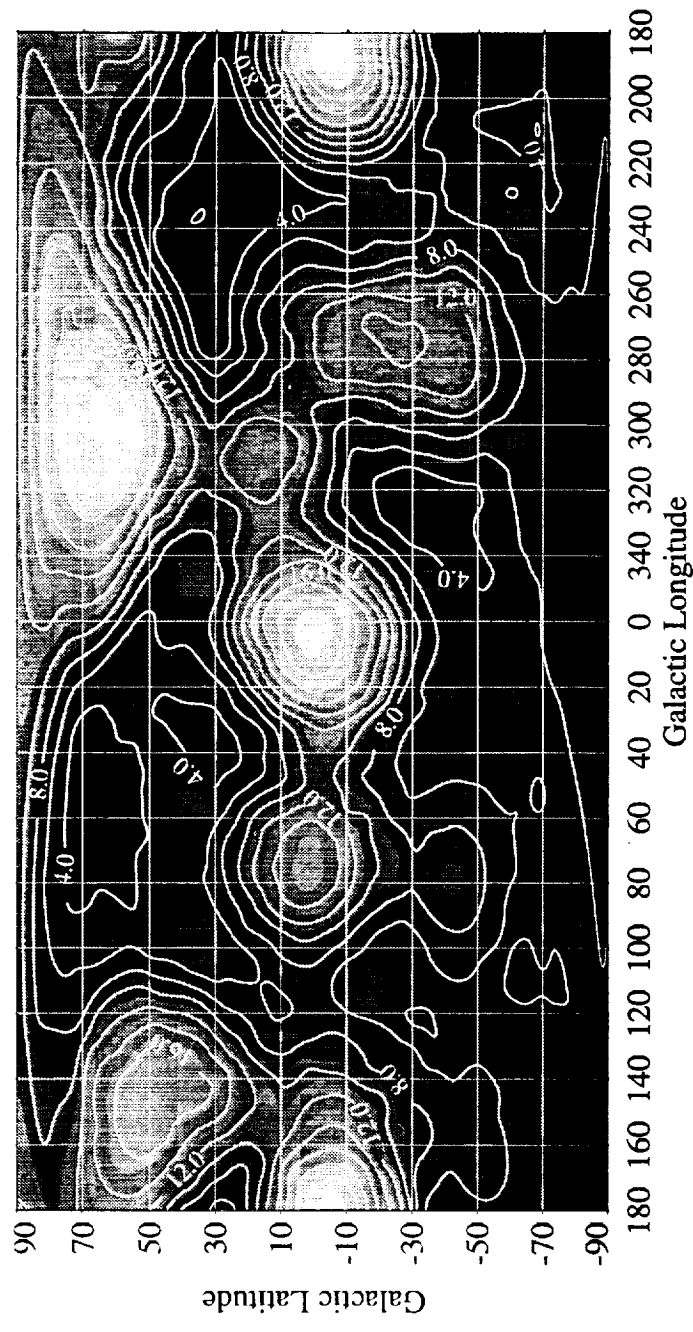


Figure 1

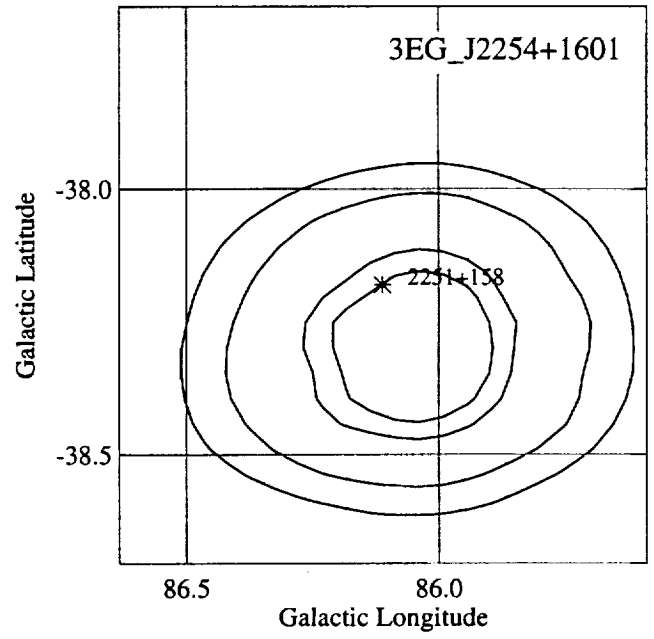
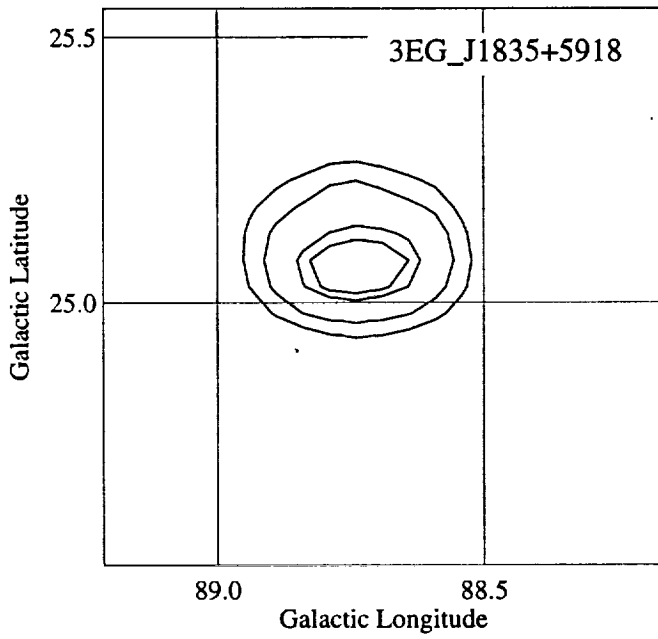
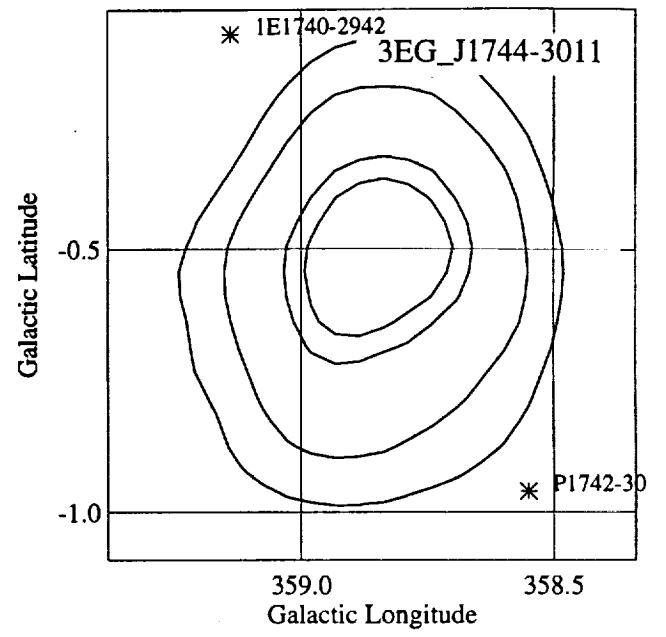
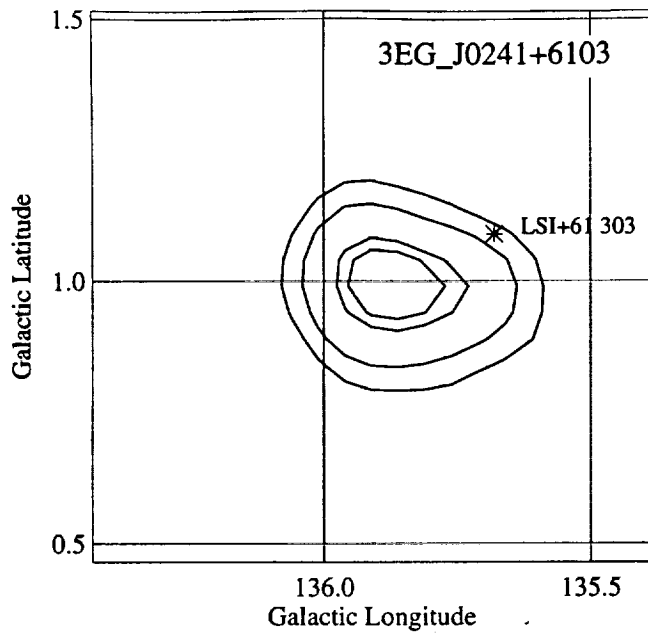


Figure 2

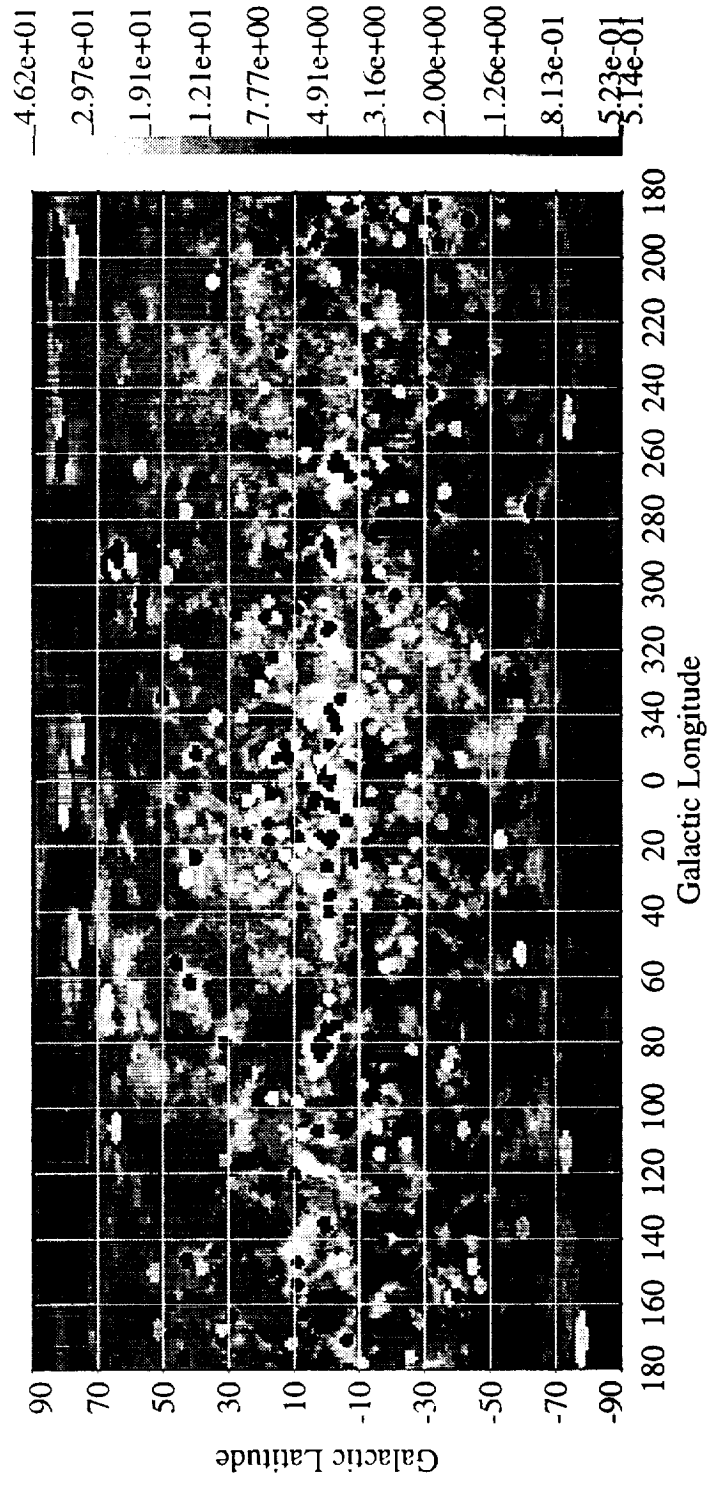


Figure 3

Third EGRET Catalog

$E > 100 \text{ MeV}$

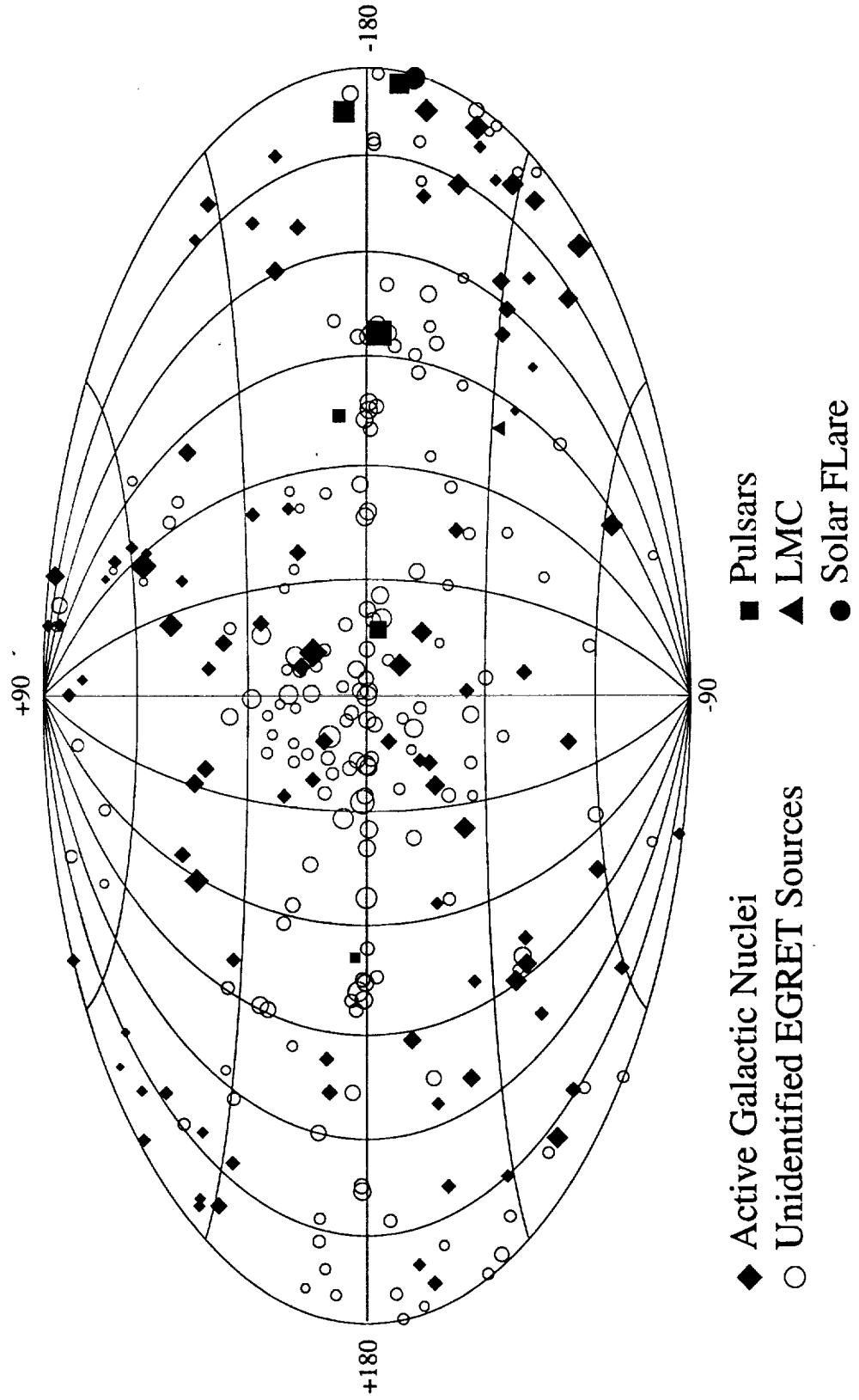


Figure 4

