

THE PALOMAR TESTBED INTERFEROMETER

M. M. COLAVITA,¹ J. K. WALLACE,¹ B. E. HINES,¹ Y. GURSEL,¹ F. MALBET^{1,2} D. L. PALMER,¹ X. P. PAN,³ M. SHAO,¹
J. W. YU,¹ A. F. BODEN,¹ P. J. DUMONT,¹ J. GUBLER,⁴ C. D. KORESKE,³ S. R. KULKARNI,³ B. F. LANE,¹
D. W. MOBLEY,¹ AND G. T. VAN BELLE¹*Received 1998 June 15; accepted 1998 August 3*

ABSTRACT

The Palomar Testbed Interferometer (PTI) is a long-baseline infrared interferometer located at Palomar Observatory, California. It was built as a testbed for interferometric techniques applicable to the Keck Interferometer. First fringes were obtained in 1995 July. PTI implements a dual-star architecture, tracking two stars simultaneously for phase referencing and narrow-angle astrometry. The three fixed 40 cm apertures can be combined pairwise to provide baselines to 110 m. The interferometer actively tracks the white-light fringe using an array detector at 2.2 μm and active delay lines with a range of ± 38 m. Laser metrology of the delay lines allows for servo control, and laser metrology of the complete optical path enables narrow-angle astrometric measurements. The instrument is highly automated, using a multiprocessing computer system for instrument control and sequencing.

Subject headings: atmospheric effects — instrumentation: detectors —
instrumentation: interferometers — techniques: interferometric

1. INTRODUCTION

The Palomar Testbed Interferometer (PTI) is a long-baseline infrared interferometer installed at Palomar Observatory, California. It was developed by the Jet Propulsion Laboratory, California Institute of Technology, for NASA as a testbed for interferometric techniques applicable to the Keck Interferometer (Colavita et al. 1998). These include high-sensitivity direct-detection interferometry in the infrared with array detectors and dual-star interferometry with phase referencing for narrow-angle astrometry. However, the technology to implement PTI, including active fringe tracking, optical delay lines, laser metrology, and real-time control, is applicable not only to the Keck Interferometer but also to other missions, such as the Space Interferometry Mission (SIM) (Unwin, Boden, & Shao 1997). PTI also serves as a testbed for interferometric planning, operations, and data processing tools applicable to both missions.

Major development of PTI began in 1992 November with the commencement of funding from NASA under its Toward Other Planetary Systems (TOPS) program. The interferometer was installed at Palomar Observatory during the spring of 1995, and first fringes were obtained in 1995 July. Subsequent work has focused on scientific investigations and engineering of the more advanced observational modes. Figure 1 is a photograph of the instrument.

PTI builds on experience gained with the Mark III interferometer, which was a visible-wavelength interferometer installed at Mount Wilson, California. The Mark III used active fringe tracking for wide-angle astrometry and parametric imaging (Shao et al. 1988; Shao & Colavita 1992a). PTI differs from the Mark III in that it operates in the infrared and, in addition to parametric imaging, supports

narrow-angle interferometric astrometry implemented using phase referencing, described below.

2. NARROW-ANGLE INTERFEROMETRIC ASTROMETRY

The development of technology for detecting extrasolar planets is one of the motivations for building PTI. Most of the recent discoveries of extrasolar planets have been through measurement of radial velocities (Mayor & Queloz 1995). This technique senses the Doppler shift of the light from a star caused by the longitudinal component of an unseen companion's motion. A complementary technique to radial velocities is astrometry, which measures the wobble in the position of a star caused by the transverse component of a companion's motion. Although high-accuracy global astrometry remains the purview of space missions, the detection of extrasolar planets through astrometry is primarily a narrow-angle problem, as the measurement can be made with respect to angularly nearby reference stars. In this case the atmospheric limits to astrometric accuracy achievable with a long-baseline interferometer are several orders of magnitude below the wide-angle atmospheric limit (Shao & Colavita 1992b; Colavita 1994). Figure 2 shows the increase in astrometric accuracy achievable in a differential measurement with long baselines and narrow fields. For interferometer baselines of ~ 100 m and star separations of $15''$ – $20''$, accuracies of tens of μas in an hour measurement are possible.

To exploit this accuracy, both the parent star of the putative planet (henceforth primary star), as well as one or more astrometric reference stars (henceforth secondary stars), must be detectable by the interferometer. For the nearby sample, for which the astrometric technique is most sensitive, the primary star will be bright and provide an adequate signal-to-noise ratio within an $r_0^2 \tau_0$ coherence volume to track. However, angularly nearby stars will generally be too faint to fringe track. But for secondary stars chosen within the isoplanatic patch of the primary star, the primary star can be used as a phase reference (Shao & Colavita 1992a; Quirrenbach et al. 1994) to synthesize a

¹ Jet Propulsion Laboratory, California Institute of Technology, 4800 Oak Grove Drive, Pasadena, CA 91109.

² California Institute of Technology, Pasadena, CA.

³ Currently at Laboratoire d'Astrophysique, Observatoire de Grenoble, UMR UJF/CNRS 5571, France.

⁴ University of California, San Diego, CA.

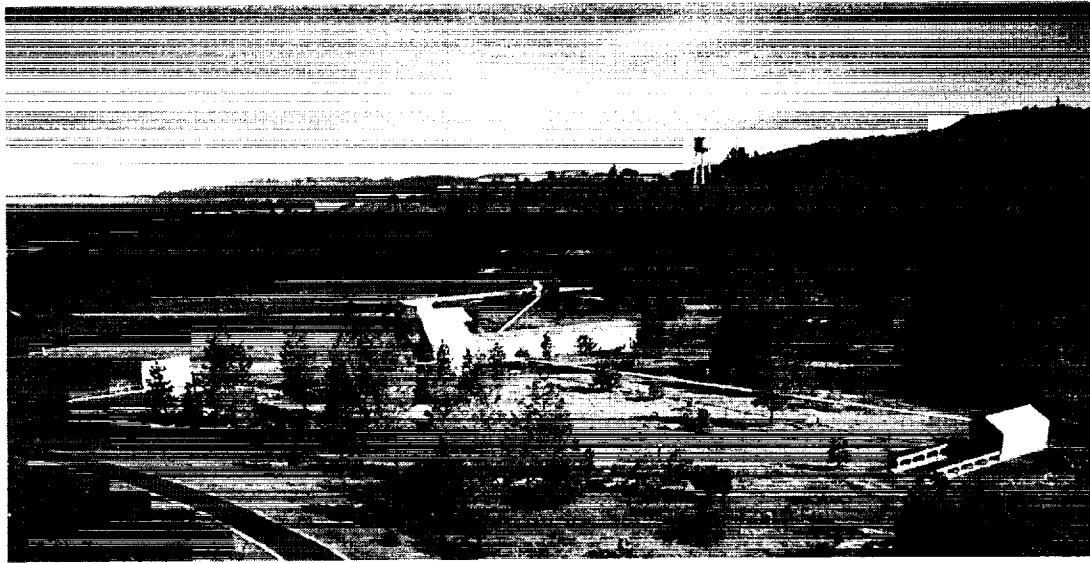


FIG. 1.—Photograph of the Palomar Testbed Interferometer (PTI) at Palomar Observatory taken from the catwalk of the 5 m Hale telescope looking northeast. The driveway and adjacent road are painted white to minimize daytime heating.

long coherent integration time, greatly increasing sensitivity. Phase referencing works best in the near-infrared, which provides a large isoplanatic patch and the ability to exploit large apertures. Combined with adaptive optics, which corrects wave-front aberrations across the individual pupils, the fringe stabilization provided by phase referencing allows for sensitivities similar to those of a space-based system (Shao & Colavita 1992a). Sky coverage—the fraction of the sky over which a suitable astrometric reference is available—is a key metric. PTI, as a testbed with moderate apertures, has limited sky coverage. However, good sky coverage can be achieved with apertures in the 1.5–2.0 m range, as planned for the Keck Interferometer outriggers (Colavita et al. 1998).

Combining phase referencing with simultaneous measurements of two stars is the basis of dual-star astrometry. Figure 3 shows the basic implementation. Light from separate stars in the field of view of each aperture is directed

into separate interferometers sharing a common baseline. Internal path delays for each interferometer are measured with laser metrology to common fiducials at each aperture. These common fiducials “tie together” the two interferometers, allowing, for example, fringe-tracking errors on the primary star to be fed forward to the secondary star to implement phase referencing. The secondary interferometer, cophased by the primary interferometer, makes the actual astrometric measurement by switching between the secondary star and the primary star; the change in delay between the two stars is the astrometric observable.

Because of the small field of view for the narrow-angle measurements, requirements on baseline knowledge are modest. The error δ in a differential astrometric measurement over an angular separation θ caused by a fractional baseline error of $\delta B/B$ is attenuated by the separation as $\delta = \theta(\delta B/B)$. For example, a 100 μm error in a 100 m baseline for astrometry over a 20" separation introduces errors

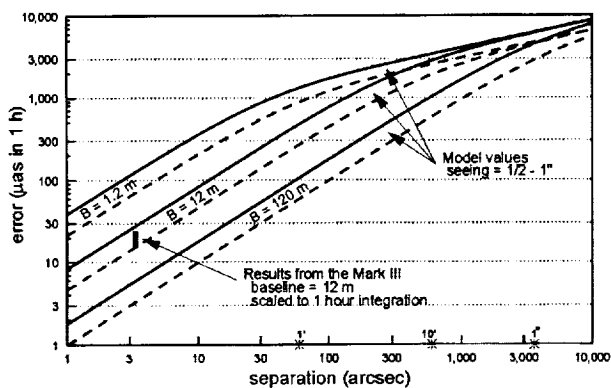


FIG. 2.—Differential astrometric accuracy vs. star separation in a one-hour integration for different baseline lengths (from Shao & Colavita 1992b); atmospheric models providing 1/2" and 1" seeing are shown. These results assume an infinite outer scale, and better results are achieved when the baseline exceeds the outer scale, as would be expected with a 100 m baseline at most sites. Measurements with the Mark III interferometer of a 3"3 binary star (Colavita 1994) are consistent with the model.

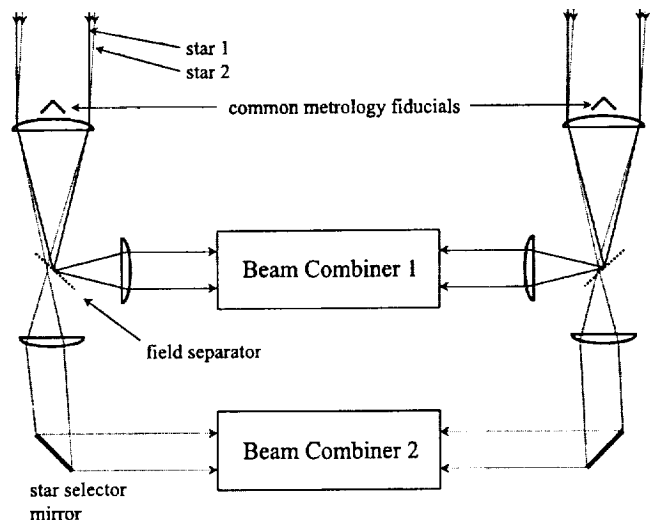


FIG. 3.—Dual-star concept

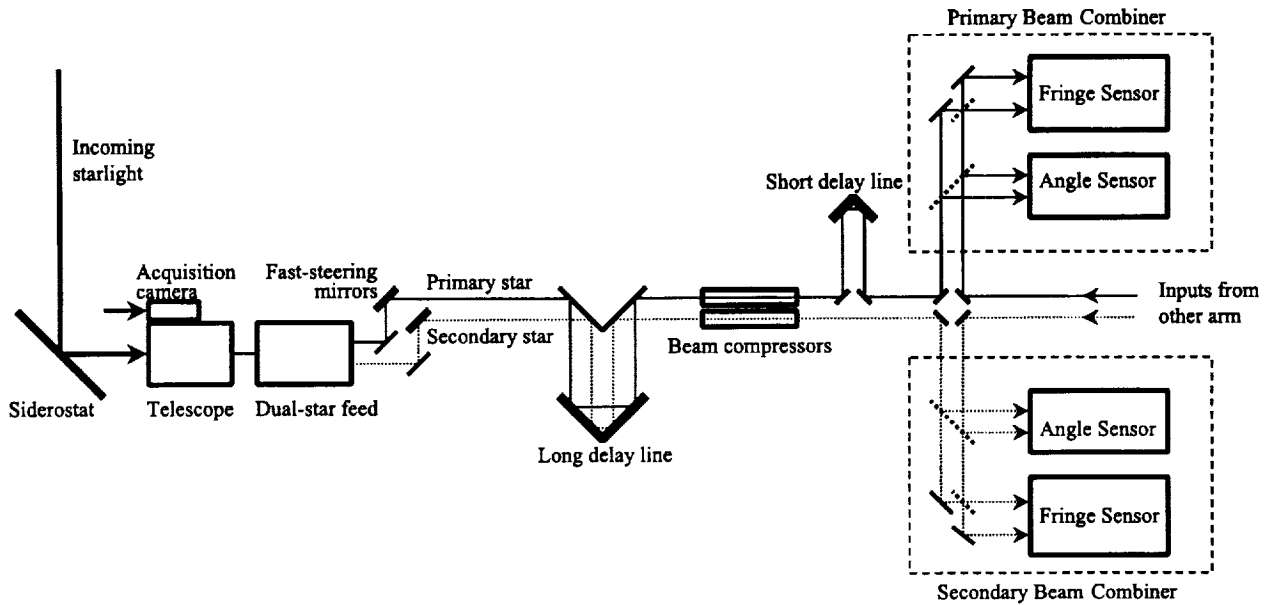


FIG. 4.—PTI beam train

of only $\sim 20 \mu\text{s}$. Thus, separate metrology of the baseline is generally unnecessary, and baseline solutions can be obtained from wide-angle astrometry using one of the interferometers (Shao et al. 1990).

3. INSTRUMENT OVERVIEW

PTI is located northeast of the 5 m Hale Telescope at Palomar Observatory, Palomar Mountain, California; Figure 1 is a photograph of the interferometer taken from the catwalk of the 5 m telescope. The central building houses the optical delay lines, the beam-combining laboratory, and the computer/control room. The three small shelters located north, south, and west of the central building contain the siderostats, telescopes, and dual-star feeds. Light is directed from the siderostat shelters through evacuated pipes to the central building.

PTI is operated as a two-element interferometer, combining light from two of the three siderostats at one time. Initial observations combined light from the north and south piers

for a 110 m baseline that is oriented 20° east of north. The inclusion of the west pier allows additional baselines. Table 1 summarizes some key instrument parameters. Figure 4 is a schematic of the beam train of PTI. Light at each aperture is collected by a 50 cm siderostat mirror, which directs the light to a fixed 40 cm telescope; a wide-angle camera adjacent to the telescope provides coarse star acquisition to get the stars within the field of view of the angle tracker in the beam-combining lab. The 40 cm telescope forms an image of the field, which is split into primary and secondary beams by the dual-star feed; fast-steering mirrors in the dual-star feed correct for wave-front tilt. The two beams from each aperture are directed through beam pipes to the central building, where they are directed into a common long delay line, providing identical delays for the two beams. Local metrology of the delay line is used for servo control. Beam compressors reduce the beam diameters to a more convenient size before sending the primary star through a short delay line. This delay line introduces a differential delay

TABLE 1
PTI VITAL STATISTICS

Parameter	Value
Location	Palomar Observatory, Palomar Mountain, CA (long: $-116^\circ 86' 33''$; lat: $33^\circ 35' 67''$; elevation: 1687 m)
Baselines	NS: 110 m: (37.1 E, 103.3 N, -3.3 Z) NW: 86 m: (-81.7 E, -28.2 N, 3.1 Z) SW: 87 m: (-44.6 E, 75.1 N, -0.2 Z)
Aperture	40 (cm)
Delay range	± 38.3 (m)
Architecture	Dual-star, active fringe tracking
Fringe-tracking wavelength	2.0-2.4 (μm)
Spectrometer wavelength	1.5-2.4 (μm)
Fringe sensor	NICMOS3 infrared array with fringe-scanning modulation, 10 ms frame rate
Angle-tracking wavelength	0.7-1.0 (μm)
Angle sensor	Si APD quad cell

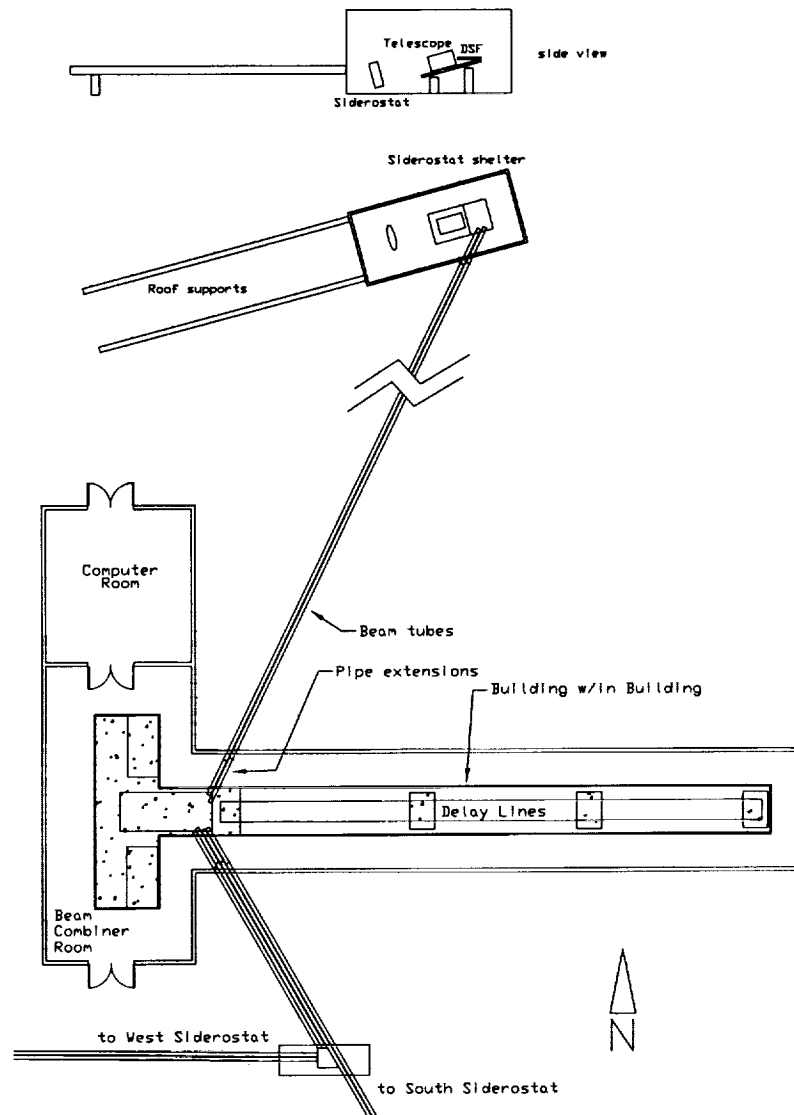


FIG. 5.—PTI building and overall layout

between primary and secondary to enable phase referencing within the isoplanatic patch. PTI has separate beam combiners for the primary and secondary stars. In each the visible light ($0.7\text{--}1.0\ \mu\text{m}$) is split off with a dichroic beamsplitter and directed to an angle tracker that controls the fast-steering mirrors in the dual-star feeds. The infrared light ($1.6\text{--}2.4\ \mu\text{m}$) is combined in a Michelson beam combiner feeding one 128×128 pixel quadrant of a NICMOS3 array. In dual-star mode, “constant-term” metrology (§ 11.2) monitors the entire optical path from beam combiner to dual-star feed. A distributed real-time control system orchestrates operation of the system.

3.1. Design Considerations

Operation at $2.2\ \mu\text{m}$ is optimal for dual-star astrometry (Shao & Colavita 1992b), exploiting both the large coherence volume and increased isoplanatic patch available in the infrared. Although the choice of a 40 cm aperture for PTI was established primarily on the basis of cost, it is also well matched to average atmospheric conditions. For

nominal 1" seeing, the coherence diameter r_0 at $2.2\ \mu\text{m}$ is 53 cm; thus a $d = 40$ cm aperture is well corrected with only modest tip/tilt correction.

The PTI design incorporates most of the usual system requirements. The layout is highly symmetric in order to minimize visibility losses due to differential image rotation and differential phase effects. To maintain high throughput, most optics use protected-silver coatings. Transmissive optics are generally antireflection-coated IR-transmissive fused silica, which work well out to $2.5\ \mu\text{m}$. Dust covers are used in most places to protect the optics, and a CO_2 snow gun is used to clean the siderostat mirrors.

Atmospheric dispersion is relatively small over the K band (Appendix C), and thus air delay lines can be used, allowing for considerable simplicity of implementation. However, because of the long propagation paths in the delay lines and in beam transport, care must be taken to minimize turbulence, as discussed below.

The system was designed to be highly modular. This allowed subsystem assembly and testing prior to install-

ation at the site. For example, the pointing system was debugged on the roof of our lab at JPL, while closed-loop operation of the fringe tracker with the delay line was accomplished in the basement of the same building. This modularity extended to the computer system, where subsystems were allocated their own real-time computer board, even if computational needs did not mandate it, in order to simplify the development process.

4. BUILDING AND SITE

The central building is a T-shaped modular insulated building with a length of 30.5 m. The top part of the building, measuring 6.1×18.3 m, houses the beam-combining lab and the computer room; the latter is partitioned off from the rest of the building and located adjacent to the driveway in Figure 1. Figure 5 gives more detail.

The beam-combining lab includes three optical tables. These optical tables are grouted onto 0.45 m diameter concrete posts on top of a central isolation pad. The center 1.2×3.7 m table supports relay optics, beam compressors, metrology components, and the short delay lines. The other two 1.2×2.4 m tables support $1.2 \times 2.4 \times 0.1$ m breadboards on which are assembled the primary and secondary beam combiners; the use of breadboards simplified integration at Palomar, as most assembly could take place at JPL.

The long part of the building, 4.9×24.4 m, encloses the long delay lines. Two 22×0.6 m deep I beams provide the primary delay-line support. They attach via embedded J bolts to the central isolation pad at the front and at three other isolated pads along their length. Box-beam crosspieces, $0.10 \times 0.15 \times 1.7$ m, are located at 0.6 m intervals along the I beam. Each delay line runs on a pair of 38.1 mm diameter round steel rails with extruded aluminum supports that mount to the crosspieces; a center square rail is used for the friction drive. The support system allows for three delay lines, although only two are installed.

A "building-in-a-building" approach, first used on the Sydney University Stellar Interferometer (SUSI; Davis 1994), is implemented using $1.2 \times 2.4 \times 0.05$ m rigid insulating panels surrounding the optical tables and long delay lines as shown in Figure 5. The building in a building allows the heating and air-conditioning units, which are mounted on isolated pads, to run continually, maintaining a constant interior temperature without affecting internal seeing. Additional thermal control measures include the use of white paint on the building driveway and adjacent road; white gravel is used in the vicinity of the siderostat shelters.

The siderostat shelters house the siderostats, telescopes, and dual-star feeds. They are insulated 5.2×2.7 m buildings, elevated 1.5 m above the local grade. With the exception of one fixed wall, the roof and upper wall roll back on supports, as seen in the foreground shelter in Figure 1, leaving a 0.75 m high lower wall. In operation, a windscreen made of rigid insulating panels surrounds the interior optics, and a separate cover encloses the dual-star feed. The shelter includes an electronics rack for the remote electronics, which is vented to the outside.

The pipes that bring light from the siderostat shelters to the central building are evacuated tubes capped with IR-transmissive fused silica windows. They terminate approximately 1 m from the siderostat shelters. During observations, when the shelter roofs are rolled back, short lengths of PVC pipe enclose the light paths from the end of the evacuated pipes to the edge of the dual-star feed cover

to minimize local seeing. Similarly, at the termination of the evacuated pipes at the walls of the central building, short lengths of PVC pipe enclose the light path into the building in a building.

We note that the light pipes were originally simple non-evacuated insulated aluminum tubes. Sufficiently insulated, these tubes worked acceptably for propagating the $2 \mu\text{m}$ stellar beams. However, as part of a system upgrade in 1997 (Wallace 1998), the tubes were replaced with evacuated pipes, which improved the propagation of the 633 nm constant-term metrology beams, which make a double pass through the tubes. The driving disturbance in the air pipes was the temperature difference between the tops of the pipes, radiatively cooling to the sky, and the bottoms, which would be coupled to the warmer ground. Although the insulation minimized the effect, some convection was seen at dusk when setting up the instrument; we suspect that the air pipes would be entirely acceptable if buried and away from diurnal disturbances.

5. SIDEROSTAT SYSTEM

The siderostat mount is an altitude-azimuth gimbal moving a 50 cm Zerodur flat. The mirror is supported on a nine point wiffletree suspension. Adjustable hard points, opposed by spring plungers, locate the mirror surface with the altitude axis. The altitude-bearing mounts can be shimmed to align the altitude and azimuth axes. The mount provides access to the back surface of the siderostat mirror through a hole in the mirror cell. A contacting depth gauge, encoded by a laser interferometer, was used to measure from a fixed point off the mount to the front or back of the siderostat mirror with the mount rotated to (azimuth, altitude) coordinates of $(0^\circ, 0^\circ)$, $(180^\circ, 0^\circ)$, $(0^\circ, 180^\circ)$, and $(180^\circ, 180^\circ)$. Combined with the center thickness of the siderostat mirror, these measurements allow determination of the offset between the two axes and the mirror surface offset. (As the measurements are always made at near-normal incidence to the front or back surface of the mirror, tolerances on the precise mount angles at which measurements are made are relatively loose.) The mount is adjusted to keep deviations from an ideal siderostat to less than $100 \mu\text{m}$. Mirror edge location is via delrin tabs, and the unbalanced altitude load is compensated with a counterweight.

The system is driven with a DC servo motor. It provides 0.027 motor steps and a maximum slew rate of $\sim 1^\circ \text{ s}^{-1}$. Direct axis encoding is provided by $6^{1/48}$ optical encoders; the zero points of each axis are defined by magnetic proximity switches on the main wheel repeatable to less than one encoder step. Computer readable "soft" limit switches indicate extremes of travel, whereas "hard" limits protect against software failures by disabling the siderostat drive.

5.1. Control Aspects

The real-time control system for the siderostats provides track and slew control based on sidereal targets from the instrument sequencer, as well as a variety of other target types. Slew and track control use rate feedback to the axis indexers: large-angle slews use the encoders for closed-loop control, and tracking uses the indexer position; transition between modes is automatic based on the size of the tracking error. The controller accepts offsets from the acquisition cameras and angle trackers for star acquisition, and from the angle tracker for fast-steering-mirror desaturation. The translation from sidereal targets to mount position is via an

eight parameter mount model that incorporates the orientation of the axes, the zero points of the axes rotations, the orientation of the siderostat mirror in its cell, and the direction of the feed beam from the telescope. These parameters are determined via an off-line least-squares routine using pointing residuals to known targets; when properly calibrated, open-loop pointing is good to $\sim 15''$ rms, well within the field of view of the acquisition system. The only nightly calibration required of the siderostat system is a homing process to establish the encoder zero points. Manual paddle controls are provided but are not required in normal operation.

For observations in 1997 an accelerometer feedforward system was implemented to compensate for a small amount of piston attributable to the siderostats that was detectable in the fringe phase. The system uses an accelerometer⁵ mounted to the back of each siderostat mirror that senses acceleration along the mirror normal. Analog electronics filter and doubly integrate the accelerometer output to provide a measure of the mirror piston above 1.5 Hz. This signal is digitized at 2 kHz, scaled by $2 \cos \theta$, where θ is the angle between the siderostat normal and the telescope feed-beam and is fed forward to the delay line for compensation.

6. ACQUISITION SYSTEM

The siderostat mirror directs light to a 40 cm Cassegrain telescope. However, preceding the telescope, an elliptical mirror located in the shadow of the telescope secondary directs a fraction of the stellar beam to a wide-angle star acquisition system, as shown in Figure 6. Given the long baselines and high magnification of the beam transport system, accurate pointing is required in order for starlight to enter the field of view of the angle tracker inside the beam-combining lab.

The acquisition system uses a commercial 12 bit thermoelectrically cooled CCD camera⁶ that interfaces to the control system using general-purpose interface bus (GPIB). The camera is preceded by a 90 mm diameter, 1300 mm focal length telescope followed by a 2:1 teleconverter. These provide an angular scale of 1.8 pixel^{-1} over a field of view of $12' \times 18'$; smaller fields are selectable via subframe readout.

The acquisition system incorporates a 70 mm corner cube for calibration. The corner cube is located at the edge of the elliptical mirror feeding the acquisition system so that a portion of a boresight laser injected in the beam-combining lab and fed backward through the system is intercepted and directed into the acquisition camera.

6.1. Control Aspects

The acquisition system implements a basic centroid operation to locate the star image in the field, using a 10×10 box about the brightest pixel. The exposure time is optimized if the intensity is out of defined bounds. Subframe readout is used after the first exposure to minimize image transfer time. Feedback of centroids to the siderostats is used to automate the acquisition process. The acquisition system also provides information on apparent star magnitude to the angle tracker.

⁵ Sunstrand QA3000.

⁶ Photometrics Star-1: format 384×576 ; pixel size $23 \mu\text{m}$; read noise $20 e^-$; dark current $15 e^- \text{ s}^{-1}$ at -45°C .

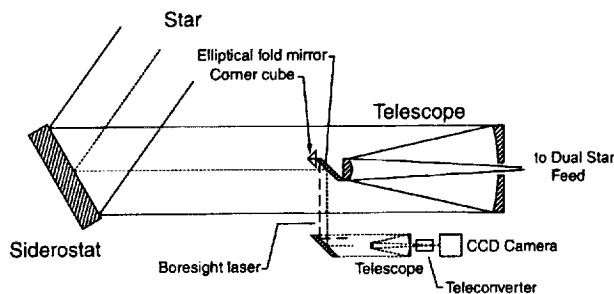


FIG. 6.—Schematic of the acquisition system

The acquisition system provides several calibration modes. A *primary boresight*, done at the beginning of a night, records the image centroid of the primary boresight laser retroreflected off the acquisition corner cube; this location establishes the initial zero point for star centroiding. This zero point is updated between scans, once the angle tracker has acquired the star, using a *star boresight*, which records the current stellar position. The repeated star boresights remove drifts in the acquisition system, as well as any systematic offsets due to aberrations in the primary laser image. For dual-star operations a *secondary boresight* measures the image centroid of the secondary boresight laser. This is used to servo the secondary star selector mirror in the dual-star feed to coalign the secondary and primary boresights.

7. COLLECTOR TELESCOPE AND DUAL-STAR FEED

The siderostat mirror feeds a 40 cm Cassegrain telescope. The telescope is mounted to a 1.2×2.4 m optical table, inclined 15° with respect to horizontal; the telescopes point 15° south of west at the siderostats (Colavita et al. 1994). The north and south telescopes employ a thermally compensated truss (Krim 1975) with invar truss elements and aluminum end pieces, whereas the west telescope uses a rail-mounted secondary that is athermalized with an invar metering rod. The telescopes use an $f/3$ primary and provide an $f/10$ output beam at a back focal distance of 400 mm. The secondary diameter is 124 mm, with a secondary obscuration of 140 mm. The wave-front quality of the telescopes is 30–40 nm rms. The 15° inclination of the telescopes improves the vignette-free field of regard of the siderostat. For sources at a declination of $\delta = 30^\circ$, the system is unvignetted for hour angles h.a. < 0 ; areal vignetting remains less than 10% for h.a. < 1.5 h and less than 20% for h.a. < 2.5 h. Figure 9 provides additional information on the field of regard of the system.

The telescope feeds the dual-star feed (DSF), shown schematically in Figure 7. The DSF separates the light from the primary and secondary stars into separate beams and directs them to the beam-combining lab. The DSF also contains the fast-steering mirrors (FSMs) used to correct wave-front tilt. The DSF is constructed on a 0.9×1.2 m optical breadboard mounted horizontally behind the telescope.

With reference to Figure 7, mirror M1 folds the inclined output beam of the telescope into the horizontal plane where it is focused onto the field separator M2 at a scale of $19.4 \mu\text{m arcsec}^{-1}$. The primary beam transmits through the field separator and is reflected by mirror M3 through a 25 mm hole in mirror M5 to parabola M4. The parabola has a

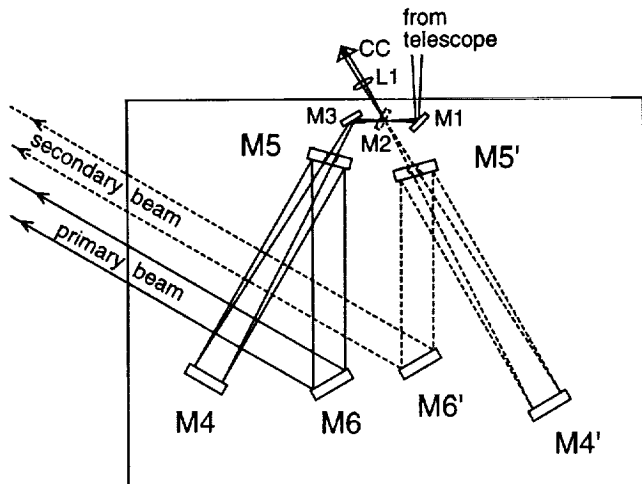


FIG. 7.—Schematic of the dual-star feed. Mirror M2 is the field separator; mirrors M4 and M4' are also fast-steering mirrors; mirror M6' is the secondary star selector mirror (SSSM).

focal length of 750 mm and recollimates the starlight into a 75 mm beam (compression of 5.33 with respect to the telescope primary). The collimated beam reflects off annular mirror M5 to fold mirror M6, which directs the primary beam toward the beam-combining lab.

The large 75 mm collimated beam minimizes diffraction in the beam transport and also reduces delay-dependent phase and amplitude errors (Tango & Twiss 1974). The Rayleigh length d^2/λ for propagation at $2.2 \mu\text{m}$ is 2600 m; with ~ 100 m internal propagation distances, PTI operates at a small fraction of this value.

While the primary beam transmits through the field separator M2, the secondary beam is reflected and is recollimated and directed similarly to the primary beam with mirrors M4', M5', and M6'. Mirror M6' is referred to as the secondary star selector mirror (SSSM) and is located conjugate to the plane in the 40 cm beam between the siderostat and telescope that includes the telescope secondary. This

plane defines the system input pupil and also includes (physically or virtually) the constant-term fiducials, discussed in § 11.2. Tilt of the SSSM is used to select a secondary star from the telescope image on M2. An optional Lyot stop can be located adjacent to the SSSM.

The SSSM is a flexure mount driven by two micro-stepped actuators; including the 5.33 demagnification and a factor of 2 for reflection, its angular resolution on the sky is $0''.015$. The SSSM is controlled by the siderostat control system, tracking the sidereal motion of the secondary star with respect to the primary star and accepting offsets from the acquisition and angle-tracker systems.

Mirrors M4 and M4' are also flexure mounts and are driven with $15 \mu\text{m}$ piezoelectric (PZT) actuators for control of high-frequency tip/tilt sensed in the beam-combining lab. They have a range on the sky of $\pm 10''$. When tracking, only a small portion of this range is used.

Several options are available for the field separator M2. For single-star observations, the field separator is just removed. For dual-star observations, and especially for engineering tests, an achromatic beamsplitter is convenient. For application in the converging beam we use a dielectric deposited on a $300 \mu\text{m}$ thick substrate. For large magnitude differences between primary and secondary, the optimal field separator is a pinhole. However, to maintain metrology continuity, the pinhole must be deposited on a substrate incorporating a metrology beamsplitter coating.

8. CENTRAL OPTICS AND DELAY LINES

Figure 8 is a schematic of the central area of the beam-combining lab. The 75 mm collimated beams from the primary and secondary stars enter the central building as shown in Figure 5. The light is directed by feed mirrors on the center table into the long delay lines, which occupy the long part of the central building.

8.1. Long Delay Lines

The long delay lines use a four-stage design nearly identical to one previously developed at JPL (Colavita et al. 1991; Colavita, Hines, & Shao 1992). The optical assembly is an athermalized cat's eye implemented with a parabola and a

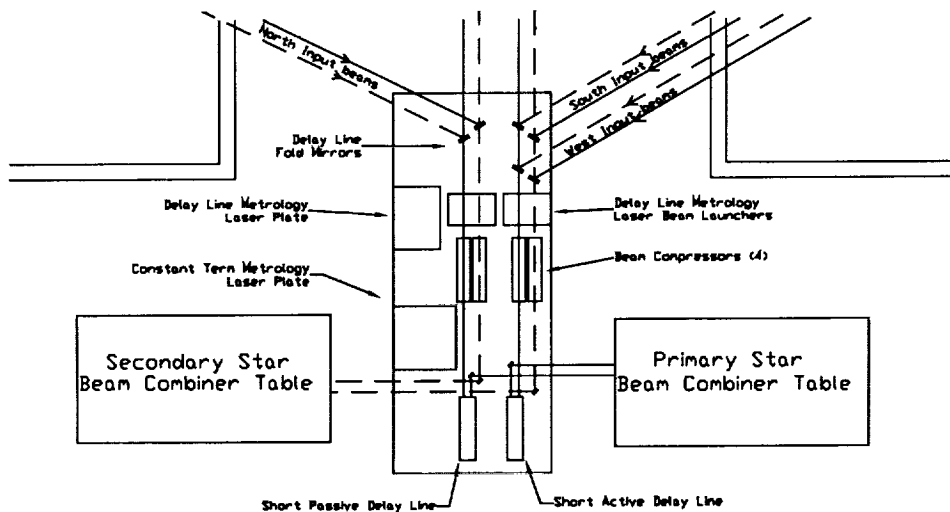


FIG. 8.—Detail of the beam-combining lab. Light paths for primary (solid line) and secondary (dotted line) stars are shown. The south delay-line feed mirrors can be removed to allow injection of light from the west siderostat. The beams exiting the long delay lines pass beneath the delay-line feed mirrors into the beam compressors.

flat. The parabola is 330×230 mm with a 1070 mm focal length. The flat at the system focus is mounted on a PZT for high-bandwidth servo control; a compensating PZT provides momentum balance. The optical assembly is suspended with flexure arms above an optics cart that rolls on steel wheels on the delay-line track. The optical assembly is driven with respect to the optics cart with a voice-coil motor for intermediate-level control. A separate motor cart contains a microstepper motor that provides coarse motion using a friction drive to the center rail; a second voice-coil motor drives the optics cart with respect to the motor cart. Control and drive signals are provided via a ribbon cable that runs in a cable tray from the front of the delay-line track, under the delay-line cart, around an idler pulley, and then to the motor cart. The idler pulley is on a third cart, which is tensioned via a cable from a torque motor at the back of the delay-line track. The delay line maintains delay jitter of 10–20 nm rms at speeds of tens of mm s^{-1} . This is well in excess of PTI requirements of jitter less than 50 nm for a 1% visibility reduction at $2.2 \mu\text{m}$ at a maximum sidereal rate of 5 mm s^{-1} .

PTI uses two long delay lines. The south ("active") delay line is of the type just described. The north ("passive") delay line includes just the motor stage and is moved only between observations. Thus quiet motion is not required and it can use a more rudimentary (and less expensive) optics cart that rides on ball bushings and has rigid connections to both the optical assembly and the motor cart. Residual motion of the passive delay line during an observation is sensed by laser metrology and servoed out by the active delay line. The delay-line tracks are 22 m long; allowing room for the various carts and some margin for deceleration from slew, the physical travel of each delay line is 19.15 m for a total optical delay using both delay lines of ± 38.3 m. The delay-line travel was chosen subject to cost constraints, and sets the limits of sky coverage on the north-south baseline, shown graphically in Figure 9.

The delay lines incorporate a PZT for modulation that is mechanically in series with the servo PZT. This PZT is driven with a fringe-scanning waveform as required for

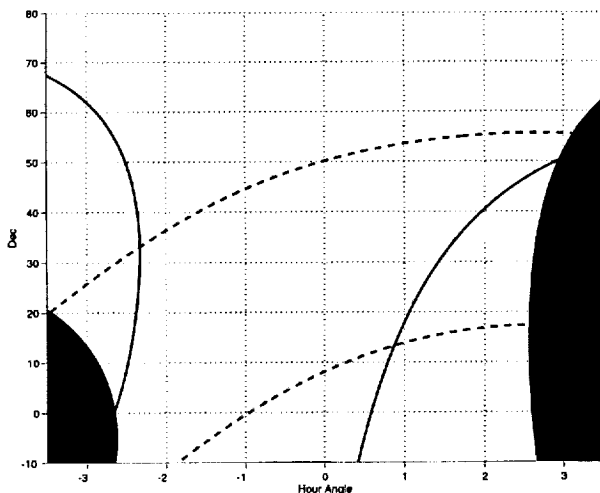


FIG. 9.—Sky coverage for PTI. The dashed lines bound the sky coverage for the north-south baseline as limited by the delay-line range; the solid lines bound the sky coverage for the north-west baseline. The shaded areas on the figure indicate where areal vignetting of the beam exceeds 20%.

fringe detection. The use of a separate PZT for modulation allows for simple distortion correction; a waveform-generator card provides a predistorted drive waveform to correct for PZT nonlinearities. If the modulation were implemented as an additional signal on the servo PZT, its nonlinearity would be a function of the operating point of the servo.

The long delay lines delay both the primary and secondary stars. With respect to the parabolic mirror, 75 mm primary and secondary beams enter at the upper left and upper right and exit diagonally opposite the optical axis at the lower right and lower left. These delayed beams exit the delay lines and pass beneath the feed mirrors toward the beam compressors.

8.2. Beam Compressors

The beam compressors reduce the starlight beam diameter by a factor of 3.75 from a transport diameter of 75 mm to 20 mm to reduce the size of the remaining back-end optics. They use an on-axis Gregorian design with confocal parabolas. The primary is 100 mm in diameter with a 500 mm focal length. The compressor despace is maintained with invar rods for athermalization. The projected obscuration of the compressor is less than that of the main telescope secondary.

8.3. Short Delay Lines

After the beam compressors the primary beams pass through the short delay lines. These introduce a differential delay between the primary and secondary star. Thus, if L and l are the delays introduced by the long and short delay lines, the delays seen by the primary and secondary stars are $L + l$ and L , respectively. With this delay-line configuration, path length modulation can be implemented on the long delay line, affecting both the primary and secondary stars, or on the short delay line, affecting only the primary star.

The requirements on the small delay line are modest: for a $\pm 30''$ range on the sky with a 110 m baseline, the required delay is ± 17 mm with a maximum sidereal rate of $1 \mu\text{m s}^{-1}$. The south small delay line is active, with a PZT and motor, whereas the north one is completely passive and included for optical symmetry. The small active delay line implements a simple two-stage servo. It uses a PZT at the focus of an $f/5$ 100 mm parabola and a microstepper-driven translation stage that moves the entire assembly.

8.4. Beam-Combiner Tables

The 20 mm primary beams delayed by the short delay line are directed to the primary beam-combining table; the light from the secondary star is directed after its compressors directly to the secondary beam combiner. The beam-combiner tables include the optics and detectors for the angle tracker and fringe tracker. Figure 10 is a schematic of the primary beam combiner. The secondary table is similar but uses a different fringe-detector configuration. The angle tracker uses light reflected from dichroic B1 into telescope L1, which feeds the angle-tracker detector. The fringe tracker demodulates the interference fringe formed at beamsplitter B3. The angle tracker and fringe tracker are discussed in detail in §§ 9 and 10, below. Additional components on the beam-combiner table include a white-light source, which is collimated and injected into the combined beam via beamsplitter B5. The white-light source is

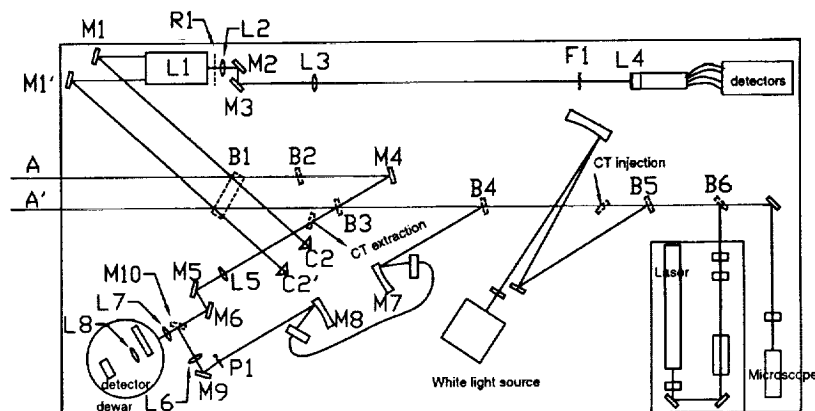


FIG. 10.—Schematic of the primary beam-combiner table

used for boresighting and calibration of both the fringe tracker and angle tracker. A HeNe laser can be injected via beamsplitter B6 and is used for boresighting the acquisition system, as discussed in § 6, as well as for manual boresighting and focusing. A microscope at the back of the system is useful for system alignment and test. Also indicated on the figure are the locations of the constant-term metrology injection and extraction optics (see § 11.2).

9. ANGLE TRACKER

The angle tracker senses and controls the wave-front tilt of the interfering starlight beams. The system uses an angle sensor in the beam combiner that controls fast-steering mirrors in the DSF; identical systems are implemented on both the primary and secondary beam combiners. Angle sensing is over the bandpass 0.7–1.0 μm using a quad-cell detector implemented with photon-counting Si APD detectors; a chopping scheme is implemented that shares the angle sensor between the two input beams on each beam combiner. The bandpass is limited at long wavelengths by the bandgap of the Si detectors and at short wavelengths by a long-pass filter that blocks scattered HeNe metrology light.

9.1. Atmospheric Issues

Assuming a standard Kolmogorov turbulence model, the total wave-front variance across an aperture of diameter d is $1.03(d/r_0)^{5/3}$ rad²; with perfect tip/tilt correction, the variance is reduced to $0.134(d/r_0)^{5/3}$ (Noll 1976). If the angle tracker removes 90% of the tip/tilt variance, the residual wave-front error for one aperture is $\sigma = 0.37$ rad rms. This results in a mean value for the squared fringe visibility of $\exp(-2\sigma^2) = 0.76$ (see Tango & Twiss 1980). To achieve this performance requires only modest angle-tracker bandwidths. For a wave-front tilt power spectrum $H(f)$ and wind speed W , the product $fH(f)$ peaks at 0.075–0.25 W/d depending on whether the wind is transverse or longitudinal (Roddier et al. 1993); most of the tilt energy lies below these frequencies. Assuming $W = 10$ m s⁻¹ and $d = 40$ cm, the peak is at 2–6 Hz.

9.2. Description

The angle-tracker components are mounted on the beam-combiner tables as shown in Figure 10. The 20 mm collimated beams from each aperture enter from the left. Dichroic B1 reflects the bandpass from 0.7–1.0 μm and

transmits at 633 nm and 1.5–2.4 μm . The reflected light from B1 is directed to telescope L1 [diameter 90 mm; focal length (f) 1300 mm], which forms nonoverlapping images of each beam on field lens L2 (f = 38 mm). Mirrors M1 and M1' are adjusted such that the beams cross at plane R1 prior to the field lens L2; this plane is imaged by L2 via fold mirror M2 onto mirror M3. Lens L3 (f = 250 mm) relays the image from field lens L2 onto the lenslet array L4 that defines the four quadrants of the detector. L4 is a portion of a commercial⁷ replicated microlenslet array; the lenslet pitch is 400 μm with individual focal lengths of 3.2 mm. The lenslet is mounted to the front of a custom assembly containing four 100 μm optical fibers at the focus of four of the lenslets; the fibers, with opaque jackets, feed the four detectors. Filter F1 is a long-pass filter that blocks scattered laser light at 633 nm.

The detectors are commercial⁸ passive-quenched avalanche photodiode (APD) photon counters selected for low dark count (< 5 counts s⁻¹). They provide a raw quantum efficiency of $\sim 27\%$ across 0.7–1.0 μm and are usable to count rates of ~ 1 MHz. Both beams share the detectors. This is accomplished by mounting mirror M3 on a PZT tip/tilt actuator. M3 is driven by a 100 Hz square-wave signal, alternately placing images of each beam onto the lenslet array L4. The image scale at L4, referred to the sky, is 130 μm arcsec⁻¹, and thus the lenslet array defines a quad-cell with a size of 6" \times 6". The separation of the chopped images is 8".

9.3. Control Aspects

The fundamental frame time of the system is 10 ms. Each frame includes a 4.3 ms integration on each beam; the dead time allows for settling of the chopper. Computer interface is through gated pulse counters. The fundamental track controller implements a conventional quad-cell algorithm and provides integral feedback to the FSMs in the DSF; control bandwidths to ~ 10 Hz can be implemented. Lower bandwidth feedback is provided to the siderostat (or SSSM) for FSM desaturation. For faint sources, co-adding of 10 ms frames can be selected. A spiral search algorithm, through direct handoff to the siderostat (or SSSM for the secondary angle tracker) is used for star acquisition. The search algorithm spirals out and then back to the origin using increas-

⁷ Adaptive Optics Associates.

⁸ EG&G SPCM-200-PQ.

ing search radii; the return to origin makes the algorithm robust against clouds and other beam blockages. The measured source intensity from the acquisition system is used to establish a detection threshold.

The secondary angle tracker can also accept direct high-bandwidth tip/tilt feedforward from the primary angle tracker in order to implement an isoplanatic tilt correction from the primary star to the secondary one. This can be implemented in conjunction with low-bandwidth tracking on the secondary star itself to take out slow drifts.

Calibration of the angle tracker uses two corner cubes to generate reference images. The white-light source injected at beamsplitter B5 propagates backward through the system. It generates two beams that reflect off dichroic beamsplitter B1, retroreflect from corner cubes C2 and C2', and then transmit through B1 to produce images on the quad cells. The angle tracker adjusts the endpoints of the chop waveform driving mirror M3 in order to center each image at the quad-cell center. This *chop calibrate* procedure is one of our initial nightly calibrations.

The angle tracker also includes support for other less frequent calibrations, including measurement of detector quantum efficiency and calculation of the coordinate transformation matrices between detector and FSM, detector and siderostat (or SSSM), and FSM and siderostat.

10. FRINGE TRACKER

The fringe trackers on PTI measure the fringe parameters of the interfering light. The fringe phase is used to control the optical delay lines to track the atmospheric fringe motion. The fringe phase from the primary star can also be used to cophase the secondary star. More precisely, three modes are supported:

Single star.—In this case, the secondary channel is disabled. The primary fringe tracker works at high speed to follow the atmospheric motion. The short delay line is disabled, and control handoffs are given to the long delay line. Although the nominal sample time is 10 ms, co-adding adjacent samples can be used, under conditions of good seeing, to increase the signal-to-noise ratio.

Bright secondary.—This case adds fast tracking of the secondary fringe motion. Delay-line handoffs are trivially orthogonalized to allow independent tracking. As discussed in § 8.3, the long and short delay lines both contribute to the primary delay, whereas only the long delay line contributes to the secondary delay. Thus, if \hat{d}_p and \hat{d}_s are filtered delay updates for the primary and secondary, delay-line handoffs to the long and short delay lines are generated as $\delta L = \hat{d}_s$ and $\delta l = \hat{d}_p - \hat{d}_s$.

Faint secondary.—In this phase-referenced mode, high-bandwidth control of the secondary fringe position comes from the primary fringe tracker, whereas low-bandwidth control comes from the secondary star itself. Delay-line handoffs are orthogonalized as $\delta L = \hat{d}_p + \hat{d}_s$ and $\delta l = -\hat{d}_s$.

10.1. Atmospheric Issues

PTI uses coherent tracking of the white-light interference fringe, with lower bandwidth fringe centering obtained from the group delay. Continuity requirements applied to the mod 2π fringe-phase measurements set the sample spacing. For 1" seeing, corresponding to a coherence diameter $r_0 = 53$ cm at $2.2 \mu\text{m}$, and a constant wind speed $W = 10 \text{ m s}^{-1}$, the fringe structure function is equal to 1 rad rms at coherence time $\tau_{0,2} = 11$ ms (see Appendix A). For a simple phase

unwrapper, the sample spacing must be less than this value to minimize the probability of unwrapping errors, and we adopt a value of $t = 10$ ms. With a more sophisticated phase unwrapper, as implemented on PTI, the effective coherence time increases to $\tau'_{0,2} = 14$ ms (see Appendix B).

Fringe motion during the coherent integration time reduces fringe visibility squared as (Tango & Twiss 1980): $\exp(-T/T_{0,2})^{5/3}$. The quantity $T_{0,2}$ is the coherence time associated with fluctuations about the interval mean (see Appendix A), given by $T_{0,2} = 0.815 r_0/W = 43$ ms. For $T = 6.75$ ms (discussed below), the reduction in V^2 due to temporal effects is 5%. Finally, the two-aperture Greenwood frequency can be computed as $f_{G,2} = (1.546 r_0/W)^{-1} = 12$ Hz. For a servo bandwidth $f_c = 10$ Hz (1/10 of the 100 Hz sample rate), the residual fringe-tracker error is $(f_{G,2}/f_c)^{5/6} = 1.2$ rad rms.

10.2. Optical Configuration

The optical configuration of the primary beam combiner is shown in Figure 10. Dichroic beamsplitter B1 passes the infrared light from the two 20 mm input beams, and a flat fringe is formed at beamsplitter B3; compensator B2 accounts for the thickness of the beamsplitter substrate. The combined light from one side of the beamsplitter ("white-light output") is directed via lens L5 (200 mm fl) and mirrors M5 and M6 to an external focus adjacent to mirror M10. The light from the other side of the beamsplitter ("spectrometer output") is directed via dichroic beamsplitter B4 through a spatial filter assembly and external spectrometer to form a line focus on mirror M10 adjacent to the white-light spot.

Dichroic beamsplitter B4 is 90% reflective from 1.5–2.4 μm ; the residual transmission allows injection of the white-light and laser sources in the combined beam for calibration. The spatial filter assembly is implemented using off-axis portions of parabolas M7 and M8 that focus the light into a single-mode fluoride-glass fiber⁹ and recollimate the exiting light.¹⁰ As the spatial filter is implemented in collimated space with mirrors M7 and M8 on kinematic bases, spatial filtering can be removed if desired with only minor realignment of the system. To maximize tracking sensitivity, no explicit spatial filtering is used on the white-light channel, although some filtering results from the finite pixel size.

Prism P1 and lens L6 (200 mm fl) implement a low-resolution spectrometer. Prism P1 can be chosen as desired, but is typically a simple 8°–12° (physical) fused silica wedge.¹¹ Lens L6 (like L5, L7, and L8) is a custom air-spaced achromat (fused silica + calcium fluoride), afocal from 1.5–2.4 μm .

The external focus at M10 is recollimated with lens L7 (100 mm fl) and relayed into a nitrogen Dewar.¹² The Dewar contains a filter wheel in collimated space with K (2.00–2.40 μm), K' (2.00–2.33 μm), and HK (1.5–2.40 μm) filters, plus a blank-off position. Pupil stops, nominally 10 mm diameter, are attached to the filters. A second 100 mm

⁹ Le Verre Fluore: $\lambda_c = 1.45 \mu\text{m}$, NA = 0.176.

¹⁰ The spatial filter was used for all observations in 1997 and several observations in 1996.

¹¹ The original spectrometer configuration used a single 16° fused silica prism; the configuration for 1997 reduced the dispersion with a -7:68 BK7 prism between M9 and L6; the text describes the current configuration.

¹² IR Labs ND8.

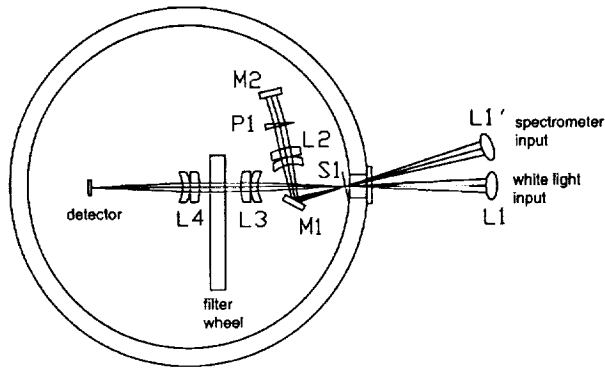


FIG. 11.—Layout of the secondary Dewar

lens after the filter wheel relays light onto the infrared detector.

The primary beam combiner, discussed so far, works at atmospheric rates. As it will typically be read-noise limited, the warm, slitless spectrometer design described above is adequate. For the secondary beam combiner, phase referencing allows longer integration times and the infrared background becomes more important. Thus a cold spectrometer is implemented, which moves some of the functions shown in Figure 10 into the secondary Dewar. Figure 11 gives a schematic of the secondary Dewar. Light from the white-light and spectrometer outputs of the beamsplitter are separately focused onto a slit behind the Dewar window by 200 mm lenses L1 and L1', identical to those used on the primary beam combiner. An external in-line spatial filter assembly can be used on the spectrometer side as on the primary beam combiner.

The entrance slit, nominally 40 μm wide, widens to 400 μm for part of its length. The white-light beam enters through the wide part of the slit, is collimated by lens L3, passes through a filter wheel that includes the *K*, *K'*, and *HK* filters and pupil stops, and is then relayed to the detector by lens L4. The spectrometer beam can use either the narrow or wide part of the slit. Because it enters off-axis, the spectrometer beam is intercepted by mirror M1, is recollimated by lens L2, and dispersed by prism P1. Mirror M2 introduces a double pass and is oriented to produce a line focus on the back of the slit adjacent to the white-light spot. This spectrum is then relayed through the filter wheel to the detector via lenses L3 and L4. For use on bright stars, the spectrometer prism P1 can be removed, M2 realigned, and an external prism inserted prior to L1'.

10.3. Detector and Electronics

The detector for both beam combiners is an engineering-grade NICMOS3 infrared array. One 128 \times 128 quadrant is used. Pixels are 40 \times 40 μm , and the external optics are configured so that the white-light spot and the spectrum are located adjacent to each other on a single line of the detector; the spectrometer resolution typically provides 5–8 pixels across the *K* band.

Video amplification and clock buffering are provided with commercial electronics¹³ on pod boxes attached to the Dewar. The video output drives a 16 bit, 500 kHz A/D converter that interfaces to the real-time system through a

first-in-first-out buffer (FIFO) on a custom VME board. This board also includes a large downloadable memory that contains the clock patterns for the array. The clock patterns for real-time use are aperiodic and are precomputed and downloaded during nightly system configuration.

The NICMOS3 detector provides a quantum efficiency of $\sim 65\%$ at 2.2 μm and a read noise for a single 2 μs correlated double-sample read of $\sim 32 e^-$. For use on PTI, multiple consecutive 2 μs reads are digitally averaged to decrease the effective read noise, typically to 11–16 e^- , as discussed below.

10.4. Fringe Demodulation and Array Clocking

To implement fast tracking, fringe demodulation on PTI uses a fringe-scanning algorithm, similar to that employed on the Mark III Interferometer (Shao et al. 1988), but adopted for use with array detectors. The modulation waveform is a 100 Hz sawtooth pattern implemented on one of the delay lines. This unidirectional scan minimizes the number of reads required to measure the fringe parameters. The array timing is aperiodic, varying the integration time per pixel such that each pixel is scanned by exactly one wavelength.

The timing for each 10 ms sample is identical. Each sample begins with a reset of the active and adjacent lines of the array followed by a short settling time. During this time the stroke waveform retraces from its value at the end of the previous sample. The first read begins typically 1.5 ms into the sample and measures the reset pedestal on the white-light and spectrometer pixels. The stroke waveform begins its linear scan at this time, and successive reads occur after each quarter wave of modulation for each pixel. Each of these (nondestructive) reads is typically an average of 16–64 consecutive 2 μs subreads. With the Dewar blanked off, the system at PTI achieves effective read noises for fringe demodulation of 24, 20, 16, 13, and 11 e^- at 2, 4, 8, 16, and 32 subreads. The nonwhite behavior most likely corresponds to 1/*f* noise in the detector.

The array clocking involves some overhead associated with the array reset and settling time, although this does take place during the stroke retrace. Additional overhead comes from the shift register implementation on the NICMOS3 chip, which does not have a clear, so that access to a previous pixel requires clocking out, reloading the shift register, and clocking back in.¹⁴ Fundamentally, matching the stroke to the wavelength means that the effective integration time at midband will be less than the longest integration time allowed. The present configuration achieves an integration time of 6.75 ms at 2.2 μm and 7.4 ms at 2.4 μm .

With wider wavelength coverage to accommodate both *H* and *K* bands simultaneously, varying the bin widths with pixel becomes less practical. Appendix D discusses the corrections to the fringe quadratures necessary for use with fixed-width time bins.

10.5. Fringe Acquisition and Tracking

The fast fringe-tracker algorithm is a variant of that used on the Mark I–III interferometers (Shao et al. 1988; Shao & Staclin 1980). Denote the five reads during each 10 ms sample time as z_i , a_i , b_i , c_i , and d_i , where $i = 0$ denotes the white-light pixel and $i = 1 \dots R$ denote the *R* spectrometer

¹³ IR Labs.

¹⁴ The PICNIC chip, which replaces NICMOS, has clearable shift registers and is resettable by row rather than by individual pixel.

pixels. The integrated flux in each quarter-wave time bin is calculated as $A_i = a_i - z_i$, $B_i = b_i - a_i$, $C_i = c_i - b_i$, and $D_i = d_i - c_i$. The raw fringe quadratures and total flux (in units of dn) are calculated from these values as

$$X_i = A_i - C_i, \quad (1)$$

$$Y_i = B_i - D_i, \quad (2)$$

$$N_i = A_i + B_i + C_i + D_i. \quad (3)$$

From these quantities we can estimate the fringe phase, visibility, and signal-to-noise ratio, but first it is necessary to correct for biases associated with the detection and readout process.

A detailed discussion of the bias correction of these quantities is given elsewhere (Colavita 1999). While explicit calibration measurements are interspersed with science observations, two initial calibrations are used to estimate the biases for use by the real-time system. The mean values B^X , B^Y , and B^N on X , Y , and N are estimated from a low-level calibration with the system observing dark sky. Applying these bias corrections yields $\hat{X} = X - B^X$, $\hat{Y} = Y - B^Y$, and $\hat{N} = N - B^N$, from which an energy measure NUM* is computed as

$$\text{NUM}^* = \hat{X}^2 + \hat{Y}^2. \quad (4)$$

The squared quantity NUM* contains biases attributable to read-noise and photon noise. The detector read-noise bias B^{rn} is estimated from the value of NUM* measured from a low-level calibration. The photon-noise bias B^{pn} takes the form $B^{pn} = k\hat{N}$, where k is the detector scale factor in dn/e^- . The factor k is estimated from the increase in the bias on NUM* with increasing light level. This high-level calibration uses the white-light source in Figure 10, which is retroreflected back into the Dewar with a corner cube placed at the exit of the primary table.¹⁵ Thus NUM* is corrected for these AC biases to yield

$$\widehat{\text{NUM}} = \text{NUM}^* - B^{rn} - B^{pn}. \quad (5)$$

By use of these bias-corrected quantities, instantaneous estimates of the fringe phase, fringe visibility, and fringe signal-to-noise ratio S (photon-noise limit) are computed as

$$\phi = \tan^{-1} \frac{\hat{Y}}{\hat{X}}, \quad (6)$$

$$V^2 = \frac{\pi^2 \widehat{\text{NUM}}}{2 \hat{N}^2}, \quad (7)$$

$$S^2 = 2 \frac{\widehat{\text{NUM}}}{\hat{N}}. \quad (8)$$

With read noise, the signal-to-noise ratio (S/N) of the phase estimate is just

$$S/N_\phi^2 = \frac{4}{\pi^2} \frac{N^2 V^2}{N + 4\sigma_{\text{cds}}^2}, \quad (9)$$

where σ_{cds}^2 is the effective double-correlated-sample read-noise variance.

The fringe tracker supports three fundamental states: *search*, *semilock*, and *lock*. Transitions between states depend on the instantaneous value of the fringe signal-to-noise ratio S^2 , as computed above, or its average value \bar{S}^2 ,

which is computed as the output of a sliding boxcar filter. A boxcar filter is selected for its finite impulse response (rather than a decaying-memory filter). Currently, a 15 point memory is used.

In the search state the fringe tracker commands the delay line to implement a geometric spiral about the predicted fringe position. Typically, the search step is $4.4 \mu\text{m}$ every other sample, with an initial search out to $+50 \mu\text{m}$, back through zero to $-100 \mu\text{m}$, etc. Transition from search to semilock occurs for $S^2 > T_1^2$.

In the semilock state the fringe tracker attempts to track the white-light fringe. If $\bar{S}^2 > T_2^2$ after a time-out period, typically 100 ms, the fringe tracker enters the lock state; otherwise, it reverts back to the search state and continues the spiral pattern.

In the lock state the fringe tracker tracks the white-light fringe. Loss of lock, and reversion to the search state and a restart of the search process about the last lock position, occurs if $\bar{S}^2 < T_3^2$. The transition thresholds T_1 , T_2 , and T_3 are typically 6.0, 4.0, and 3.3; as implemented, they incorporate a weak dependence on photon flux to accommodate uncompensated biases at high light levels.

The fringe-tracker servo is straightforward. The white-light phase at sample n , $\phi(n)$, is unwrapped to produce $\Phi(n)$, which is filtered and used to update the delay-line position. While a fixed-bandwidth tracker is employed, a Kalman-filter phase unwrapper is used to improve performance. Let $\chi(n)$ be the atmospheric phase process; a state-space model and estimator for χ is presented in Appendix B. The atmospheric phase is the sum of the unwrapped white-light phase plus the offset from the predicted sidereal position of the delay line, L , viz., $\chi(n) = \Phi(n) + kL(n)$. The white-light phase $\phi(n)$ is unwrapped about a prediction for the unwrapped phase at time n as

$$\Phi(n) = \text{mod}_{-\pi, \pi}[\phi(n) - \hat{\Phi}(n|n-1)] + \hat{\Phi}(n|n-1), \quad (10)$$

where $\hat{\Phi}(n|n-1)$ is computed with a Kalman-filter predictor of $\chi(n)$ as

$$\hat{\Phi}(n|n-1) = \hat{\chi}(n|n-1) - kL(n). \quad (11)$$

The update for the Kalman filter uses the observation $y(n) = \Phi(n) + kL(n)$.

A simple integral fringe-tracker controller is implemented using the error signal $\Phi(n)$. Essentially, the delay-line track handoff is updated with a new rate at sample boundaries. The fringe-tracker gain is set to achieve a closed-loop bandwidth of 10 Hz.

10.6. Fringe Centering

The K-band fringe envelope contains several fringes that have adequate S/N for tracking. For accurate phase referencing and astrometry, as well as for the best visibility measurements, it is necessary to choose the fringe closest to the center of the white-light fringe envelope, i.e., to work at zero group delay. Although the group delay is readily estimated using the spectrometer channels, because of their lower S/N the group delay is not available at the full sample rate. Rather the group delay is estimated at a lower rate and used to correct for integral tracking errors.

To improve their S/N, the spectrometer phasors $X_i + jY_i$, $i = 1 \dots R$, are phase referenced to the white-light phase and co-added as described elsewhere (Colavita 1999). The group delay is estimated from the peak bin of the complex Fourier transform of the phasors. Assume the spectrometer is linear in wavenumber from $\nu_1 = 1/\lambda_1$ to

¹⁵ The corner cubes C1, C1', although optically in the proper location, do not see much infrared light, as dichroic beamsplitter B1 is nominally transmissive at that wavelength.

$v_R = 1/\lambda_R$, for a synthetic wavelength $\Lambda = (v_1 - v_R)^{-1}$. With $\lambda_1 = 2.4 \mu\text{m}$ and $\lambda_2 = 2.0 \mu\text{m}$, $\Lambda = 12 \mu\text{m}$. Let f_p be the frequency of the peak in the power spectrum

$$A(f) = \left| \sum_{i=1}^R (X_i + jY_i) e^{-j2\pi f t_i} \right|^2. \quad (12)$$

The group delay g is then given as $g = f_p \Lambda (R - 1)/R$.

In addition to the group delay itself, a quality measure based on fluctuations in the power spectrum at other frequencies is also estimated. If the group delay is accepted, a track offset, typically limited to ± 1 fringe, is applied to the delay-line target. Typical coherent integration times for estimating the group delay are 0.4–0.9 s. To simplify the data processing, track offsets are pended to 0.5 s boundaries.

10.7. Other Fringe-Tracker Functions

The previous discussion addressed the fast-tracking mode of the fringe tracker. The slow tracking mode will not be discussed in detail here, but a few comments are in order. With phase referencing in conjunction with the cold secondary spectrometer, it should be possible to obtain background-limited detection. This requires a slower readout than described above to minimize the effect of read noise. At these low rates fringe scanning can be implemented using quarter-wave delay-line offsets rather than with continuous modulation. Another point is that cophasing quality is not limited to the tracker error, as set by the tracker bandwidth and Greenwood frequency. Essentially, as the fringe tracker measures its tracking error accurately, that information can be used in an open-loop feedforward correction. The result is that cophasing quality is limited by time delays from the mean epoch of the fringe measurement to its application to the secondary channel.

Besides tracking and acquisition, the fringe tracker implements initial and ongoing calibrations to correct for biases in the fringe parameters as discussed above. Other functions include alignment modes for positioning the white-light and spectrometer images and full-frame readout for testing and alignment. The fringe tracker also implements an FTS mode, which is useful for testing and for wavelength calibration of the spectrometer channels.

10.8. Performance

The photodetection probability for fringe tracking on PTI is approximately 4%. This incorporates all effects, including the factor of 2 attributable to the use of one beam-splitter output for fringe tracking, the 6.75 ms/10 ms duty cycle of the fringe detector, the spatial filtering attributable to the finite-sized white-light pixel, detector quantum efficiency, and warm and cold transmissivity. For $V^2 = 0.4$ and an effective read noise of $12 e^-$, an S/N for measurement of the fringe phase of 10 and 5 requires 1000 and 400 photons, respectively. The current fringe-tracking limiting magnitude is 4.5–5.0 K.

11. LASER METROLOGY

PTI uses two types of laser metrology systems: local metrology of the long delay lines for closed-loop servo control and end-to-end (constant term) metrology for astrometry and control of the short delay line.

11.1. Long Delay Line Metrology

The long delay line metrology system uses a fairly conventional heterodyne system, similar to that used on the Mark III interferometer (Shao et al. 1988). The laser source

plate uses a stabilized single frequency HeNe laser and two acousto-optic modulators to generate a 2 MHz frequency offset between polarizations. The source plate feeds two metrology heads, one each for the active and passive long delay lines. For each metrology head, one polarization serves as a phase reference and the other polarization measures the delay-line position in double pass. The metrology light enters and exits through two additional apertures on the delay-line front plate. Flat mirrors, rather than corner reflectors, are used for the metrology endpoints because of their tolerance to beam shear. A matched pair of optical wedges is used over the metrology apertures on the delay-line front plate so that the metrology light focuses to a slightly different location on the delay-line secondary mirror; thus any laser scatter from secondary-mirror imperfections falls outside of the starlight field of view.

The 2 MHz reference signal from the laser source plate and 2 MHz unknown signals from the active and passive long delay line metrology heads are digitized and fed to a custom laser fringe-counter card. The card counts integral and fractional fringes, providing 32 bits of integer and 8 bits of fraction, for a delay resolution with the double-pass implementation of 1.2 nm over a range of 1300 m. Limiting Doppler excursions to ± 1 MHz allows for delay slew rates of $\pm 0.3 \text{ m s}^{-1}$.

11.2. Constant-Term Metrology

Assuming a reasonably stable optical train, the long delay line metrology described above is all that is needed for single-star amplitude observations. Drifts in the unmonitored optical paths, as well as drifts between the (slightly different) metrology and starlight paths through the delay line, are tracked out by the fringe servo and at worst affect only the acquisition time of the fringe tracker. However, for cophasing and astrometry, metrology of the entire starlight path, common mode with the starlight, is required. For wide-angle astrometry, both from the ground and from space (Unwin et al. 1997), the interferometer baseline is defined by the location of a corner reflector located on the surface of the siderostat mirror. External metrology of the corner reflector monitors baseline changes, and internal (constant term) metrology monitors internal optical paths from the beam combiners to the same point. However, as discussed in § 2, the requirements on baseline stability for narrow-angle astrometry are much less than for wide-angle astrometry, and it is possible to move the corner cube off the siderostat to a point in the collimated space between the siderostat and DSF.

In the DSF design of Figure 7, the SSSM is conjugate to the 40 cm beam from the siderostat at the plane containing the telescope secondary mirror. This pupil is thus a good location for a retroreflector, as the metrology beam does not shear as the SSSM is adjusted. Alternately, this plane can be reimaged as shown in the figure. Lens L1 in Figure 7 forms an image of this plane (and the SSSM) in collimated space at the location of corner cube CC. A portion of the metrology light injected from the beam combiners along the primary and secondary paths thus retroreflects off of this common fiducial.

The constant-term metrology system on PTI is a separate heterodyne system from the long delay line metrology system. The constant-term source plate uses a stabilized laser to generate two dual-polarization beams: one at a frequency difference of 110 kHz at a frequency offset of 27

MHz from the laser frequency for the primary beam combiner and a second with a frequency difference of 440 kHz at a frequency offset of -27 MHz from the laser frequency for the secondary combiner. The source plate samples each beam to generate 110 and 440 kHz reference signals.

Initially, consider only the primary constant-term metrology. The 110 kHz dual-frequency beam is injected with a 5 mm mirror into the combined primary starlight beam in the space between beamsplitters B4 and B5, as shown in Figure 10, and retraces the starlight path of each arm to the DSF. Part of the light reflects off the star-separator beamsplitter to corner cube CC, retroreflects, and returns to the primary beam combiner where it is extracted by a dichroic beamsplitter located between beamsplitter B3 and lens L5. As the starlight beamsplitter is nonpolarizing, it is necessary to add polarizers such that the s polarization traverses one arm and the p polarization the other. To achieve this, small polarizers are placed in each arm over the fraction of the pupil used by the metrology beam. Alternatively, polarizers could be used directly in front of the corner cubes in the DSF (although the polarization state has degraded somewhat by that point).

The extracted metrology beam detected through a cross polarizer is a measure of the difference in the optical path lengths between the two arms of the interferometer. With the exception of the thin polarizers, this implementation is fully common mode with the starlight, but it is not especially efficient with respect to laser light. The relatively low polarization difference frequency allows for more sensitive metrology electronics (than those used for the long delay lines) to ensure a good S/N. The constant-term metrology signal is digitized and measured with a digital fringe counter, similar to the one for the long delay line system.

The secondary constant-term metrology system works identically to the primary one, using the same fiducials. However, examination of Figure 7 shows that when the SSSM is adjusted so that the primary and secondary beam combiners are boresighted (a calibration mode for dual-star astrometry), the primary metrology light leaks into the secondary path, and vice versa. The frequency arrangement above, with different difference and offset frequencies for primary and secondary, ensures that the only in-band leakage terms are at the frequency difference of the other metrology system. These leakage terms are filtered out of the analog signal with bandpass filters.

For differential astrometry the primary and secondary constant-term measurements, CT_p and CT_s , are combined with the phase offsets from the primary and secondary fringe trackers to yield the astrometric delays

$$d_p = CT_p + k^{-1}\Phi_p, \quad (13)$$

$$d_s = CT_s + k^{-1}\Phi_s. \quad (14)$$

The difference of the two delays, $\Delta = d_p - d_s$, is the narrow-angle astrometric observable. This difference is also used as the error signal for servo control of the small delay line. The difference Δ is calibrated by simultaneous measurements of the same (primary) star by both the primary and secondary fringe trackers.

12. REAL-TIME CONTROL SYSTEM

The real-time control system on PTI controls the hardware of the individual subsystems, as well as orchestrating the interactions between subsystems and providing overall

instrument sequencing. A multiprocessing system is implemented to provide adequate computational resources. It also allowed a clean partitioning of functionality that enabled concurrent development.

12.1. Hardware Architecture

Real-time control and sequencing on PTI is implemented with seven VME-based 68040 single-board computers (SBCs) interfaced to a SUN workstation, as illustrated in Figure 12 (Hines 1994). All of the real-time computers use the VxWorks operating system and C/C++. Cardcage 1 contains four SBCs, one each for control of the siderostat system, the angle-tracking system, the acquisition system, and overall instrument sequencing. Although the angle-tracker detector interfaces directly to this cardcage using a custom photon-binning board, most of the controlled hardware is located at the siderostat piers. Small slave card cages at these locations are accessed via fiberoptic bus repeaters to allow low-latency hardware access. The remote cardcages contain the GPIB boards for interfacing to the acquisition system, indexers for controlling the siderostats and SSSMs, and D/A converters for driving the FSMs.

The second cardcage contains a single SBC that controls the three servo-controlled delay lines: the long active, the long passive, and the short active (the short passive delay line has no actuators). This system implements a delay-line controller, described elsewhere (Colavita et al. 1991, 1992).

The third cardcage contains two SBCs, one each for the primary and secondary fringe trackers. The cardcage contains custom boards for clocking and interface to the IR arrays, as well as video cards for array display.

Intercardcage communication is via a reflective memory (essentially an asynchronous shared memory). The software driver uses the reflective memory to implement FIFOs, double buffers, and other structures for interprocess communication. Absolute time is available in each cardcage via an IRIG-B time-code reader; IRIG-B time comes from the global positioning system (GPS). Although each SBC uses ethernet for booting, only the sequencer implements a real-time ethernet connection to the SUN; all other subsystems interface to the sequencer (and each other) via the reflective memory.

12.2. Software Architecture

The software architecture for each subsystem is similar, consisting of a number of periodically scheduled tasks

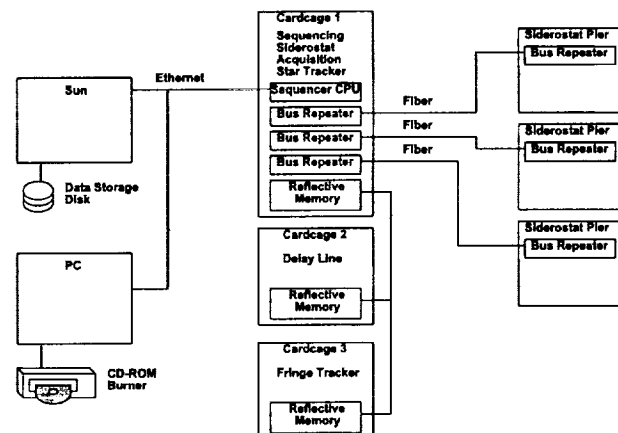


FIG. 12.—PTI computer hardware architecture

(1–2000 Hz) tied to GPS time, as well as event-driven tasks. Each subsystem implements a state machine characterized by modes that can be commanded, e.g., for the siderostat subsystem: *track*, *home*, etc., and associated states sequenced by the individual subsystem, e.g., *track:slew*, *track:track*, etc. Each subsystem provides a library of public functions that can be called by other subsystems. For the siderostat example, public functions are available to pass pointing handoffs, provide tracking corrections, etc. These public functions use the interprocessor-communications layer to call private functions that provide the actual functionality. Common public functions for each subsystem support command interpretation, data recording, and status and error reporting.

The sequencer is the only subsystem without explicit hardware. It provides high-level instrument sequencing and apparent-place calculations, automating observations to provide high observational throughput. The sequencer communicates with the hardware subsystems through their public functions and implements a command relay and data, status, and error servers. The sequencer interfaces with the SUN host using the remote procedure call (RPC) protocol over ethernet. RPCs are used to implement a command stream from the SUN to the sequencer and to return error, status, and data streams. The SUN hosts a graphical user interface for instrument control and monitoring, as well as the data-recording system.

12.3. User Interface and Sequencing

The user interface provides several views into the system. The highest level view is the observing window, which provides a summary of the status of each subsystem and control of the overall instrument sequencing. The instrument sequencer, a large state machine running on the sequencer SBC, provides fully automated observing (after nightly setup) based on star lists describing the targets and integration times. User control at this level is of the overall

sequencer and data recorder. The sequencer is multi-threaded, allowing concurrency to speed operations. For example, for automating a single-star observation, concurrent threads implement delay-line slew and star acquisition and tracking; when the threads rendezvous, fringe acquisition can begin.

For engineering and debugging, each subsystem provides a detailed window that displays a variety of status information and provides direct control of the subsystem mode, subsystem data recording, and access to many public functions, for example, to allow the passing of manual handoffs. All systems have a parameter structure that contains hardware mappings, servo parameters, etc., which can be updated from the engineering window. The default values of the parameter structures are updated from a free-form initialization file.

The data-recording subsystem separates the combined data-recording stream, tags the data blocks, and generates separate files for each subsystem or instance of a subsystem. These files are recorded to disk and later transferred to CD-ROM for archiving.

Funding for the development of PTI was provided by NASA under its TOPS (Toward Other Planetary Systems) and ASEPS (Astronomical Studies of Extrasolar Planetary Systems) programs and from the JPL Director's Discretionary Fund. Ongoing funding has been provided by NASA through its Origins Program and from the JPL Directors Research and Development Fund. Thanks to Kadri Vural and Rockwell International for the NICMOS3 detectors. Thanks also to the contributions of Chas Beichman, Gary Brack, Carl Bruce, Rob Calvet, Jean-Francois Leger, Harjit Singh, Sylvain Takerkart, Fred Vesceus, and Randy Wager. The work performed here was conducted at the Jet Propulsion Laboratory, California Institute of Technology, under contract with the National Aeronautics and Space Administration.

APPENDIX A

COHERENCE TIME

Coherence time can be defined in various ways (Buscher 1994). Let $\tau_{0,i}$ denote the structure-function definition of coherence time, viz., that sample spacing for which the phase difference between samples is 1 rad rms. The structure function depends on time as $D_i(t) = (t/\tau_{0,i})^{5/3}$. For $i = 1$, representing contributions from a single point on the wave front (the usual adaptive-optics definition), $\tau_{0,1} = 0.314r_0/W$ for coherence diameter r_0 and constant wind speed W (Buscher 1994). For $i = 2$, applicable to interferometry, there are contributions from two apertures, and $\tau_{0,2} = 0.207r_0/W$. Both definitions assume an outer scale much larger than $\tau_{0,i}W$, generally a good approximation. The definition of $\tau_{0,2}$ assumes an interferometer baseline $B \gg \tau_{0,2}W$, valid for the long baselines of PTI.

Let $T_{0,i}$ denote the variance definition of coherence time, viz., that time interval for which the phase fluctuations about the interval mean are 1 rad rms. It is given by $T_{0,1} = 1.235r_0/W$ and $T_{0,2} = 0.815r_0/W$, with time evolution $\sigma_t^2 = (T/T_{0,i})^{5/3}$. One- and two-aperture Greenwood frequencies (Greenwood 1977) can be computed similarly as $f_{G,1} = (2.343r_0/W)^{-1}$ and $f_{G,2} = (1.546r_0/W)^{-1}$. For a single-pole servo with bandwidth f_c , the servo error variance is given by $\epsilon_t^2 = (f_{G,i}/f_c)^{5/3} \text{ rad}^2$.

APPENDIX B

ESTIMATING THE FRINGE PHASE

We model the time evolution of the total fringe phase $\chi(t)$ by its structure function $D_2(t) = (t/\tau_{0,2})^{5/3}$, valid for $t \ll B/W$, where B is the interferometer baseline. The corresponding correlation function $C(t)$ is given by (see Ishimaru 1978) $C_2(t) = C_2(0) - 0.5D_2(t)$. A state-space representation of the fringe-phase process can be formed using Levinson's recursion to generate the autoregressive coefficients (see Kay & Marple 1981). In the limit of long baselines, $C_2(0) \rightarrow \infty$, and the one-state

model for a sampling spacing t is given by

$$x_{n+1} = x_n + w_n, \quad (\text{B1})$$

$$\chi_n = x_n, \quad (\text{B2})$$

with plant noise $\sigma_w^2 = D_2(t)$. For noiseless observations, the best one-step predictor of the fringe phase is $\hat{\chi}_{n+1|n} = \chi_n$, i.e., just the previous point, with a prediction error given by the plant noise $D_2(t)$.

A two-state model is given by

$$x_{n+1} = \begin{bmatrix} 0 & 1 \\ -0.587 & 1.587 \end{bmatrix} x_n + \begin{bmatrix} 0 \\ 1 \end{bmatrix} w_n, \quad (\text{B3})$$

$$\chi_n = [0 \quad 1] x_n, \quad (\text{B4})$$

with plant noise $\sigma_w^2 = 0.655D_2(t)$. For noiseless observations, the best one-step predictor is $\hat{\chi}_{n+1|n} = \chi_n + 0.587(\chi_n - \chi_{n-1})$, with a prediction error given by the plant noise $0.655D_2(t)$. Thus, including a velocity term substantially reduces the prediction error. Incorporating the factor of 0.655 into the structure function, we can write the plant noise (and prediction error) as $\sigma_w^2 = D'_2(t)$, where $D'_2(t) = (t/\tau'_{0,2})^{5/3}$ with an effective coherence time $\tau'_{0,2} = 1.289\tau_{0,2}$.

These matrix forms allow for a straightforward Kalman-filter implementation (see Gelb 1974), which can accommodate observation noise in measuring the fringe. Higher order models provide little additional benefit: a three-state model has a prediction variance only 2% better than the two-state model.

APPENDIX C

ATMOSPHERIC DISPERSION

Use of an air delay line can introduce visibility losses, as the (dispersionless) vacuum delay of an off-zenith source is compensated by a dispersive air path. Fortunately, atmospheric dispersion is relatively small in the infrared. The second column of Table 2 gives the residual group delay as a function of wavelength when the phase delays are matched at $2.2 \mu\text{m}$. These calculations assume a maximum air delay of 32 m at 0.8 atm. At $\lambda = 2.2 \mu\text{m}$, the fringe envelope is offset $16 \mu\text{m}$ from the point of equal phase delays between the air and vacuum paths, with a spread of $12 \mu\text{m}$ between 2.0 and $2.4 \mu\text{m}$. Matching group delays between the air and vacuum paths at $2.2 \mu\text{m}$ yields the third column of Table 2, which shows the residual phase as a function of wavelength about this point. Over the K band ($2.0\text{--}2.4 \mu\text{m}$), the quadratic phase residual yields a $\Delta V = 1.5\%$ reduction in broadband (white-light) fringe visibility.

For the narrow spectrometer channels, the spread in group delay across the band introduces only small visibility losses. For a spectrometer resolution R , the visibility loss attributable to an offset x from the peak of the fringe envelope for a particular channel is $\Delta V \simeq [\pi x/(\lambda R)]^2/6$; with a $5 \mu\text{m}$ offset and $R = 40$, the visibility reduction is $\sim 0.5\%$.

APPENDIX D

FRINGE DEMODULATION WITH FIXED-WIDTH TIME BINS

When the effective path length-modulation stroke is not exactly equal to the wavelength, the fringe phasor estimates are distorted. However, they can be corrected in a straightforward manner.

TABLE 2
RESIDUAL GROUP AND PHASE DELAYS ATTRIBUTABLE TO
ATMOSPHERIC DISPERSION AT A 32 m DELAY*

λ (μm)	Residual Group Delay (μm)	Residual Phase (rad)
1.6	38.04	11.05
1.7	32.74	6.63
1.8	28.31	3.70
1.9	24.56	1.83
2.0	21.37	0.72
2.1	18.62	0.16
2.2	16.24	0.00
2.3	14.16	0.13
2.4	12.34	0.47

* See Appendix C.

Write the fringe pattern as

$$f(\phi) = \frac{1}{s} (X^* \cos \phi + Y^* \sin \phi + N^*), \quad (D1)$$

where s is the length of the path length-modulation stroke, $X^{*2} + Y^{*2} = (N^*V)^2$, and $\phi = \tan^{-1}(Y^*/X^*) - \pi/2$ (sin fringe). Define four time bins $A = [-s/2, -s/4]$, $B = [-s/4, 0]$, $C = [0, s/4]$, and $D = [s/4, s/2]$, and let $X = A - C$, $Y = B - D$, $N = A + B + C + D$. Then

$$X = (1/s)[- \alpha(s)X^* - \beta(s)Y^*], \quad (D2)$$

$$Y = (1/s)[+ \alpha(s)X^* - \beta(s)Y^*], \quad (D3)$$

$$N = (1/s)[+ \gamma(s)X^* + sN^*], \quad (D4)$$

where

$$\alpha(s) = 2 \sin(s/4) - \sin(s/2), \quad (D5)$$

$$\beta(s) = 1 - \cos(s/2), \quad (D6)$$

$$\gamma(s) = 2 \sin(s/2). \quad (D7)$$

For a matched stroke ($s = 2\pi$), $\alpha = \beta = 2$.

The measured values X , Y , and N , can be corrected for the mismatched stroke as

$$X_{\text{corr}} = \frac{X + Y}{\beta} + \frac{X - Y}{\alpha}, \quad (D8)$$

$$Y_{\text{corr}} = \frac{X + Y}{\beta} - \frac{X - Y}{\alpha}, \quad (D9)$$

$$N_{\text{corr}} = N + \gamma'(X - Y), \quad (D10)$$

where $\gamma' = \gamma/(2\alpha)$. Although X_{corr} , Y_{corr} , and N_{corr} are unbiased, their variances are more complicated than for the case of a matched stroke and there is generally some performance penalty.

REFERENCES

- Buscher, D. F. 1994, *Proc. SPIE*, 2200, 260
 Colavita, M. M. 1994, *A&A*, 283, 1027
 ———. 1999, *PASP*, in press
 Colavita, M. M., Hines, B. E., & Shao, M. 1992, in *ESO Conf. and Workshop Proc. 39, High Resolution Imaging by Interferometry II*, ed. F. Merkle (Garching: ESO), 1143
 Colavita, M. M., Hines, B. E., Shao, M., Klose, G. J., & Gibson, B. V. 1991, *Proc. SPIE*, 1542, 205
 Colavita, M. M., et al. 1994, *Proc. SPIE*, 2200, 89
 Colavita, M. M., et al. 1998, *Proc. SPIE*, 3350, 776
 Davis, J. 1994, in *Proc. IAU Symp. 158, Very High Angular Resolution Imaging*, ed. J. G. Robertson & W. J. Tango (Dordrecht: Kluwer), 135
 Gelb, A., ed. 1974, *Applied Optimal Estimation* (Cambridge: MIT Press)
 Greenwood, D. P. 1977, *J. Opt. Soc. Am.*, 67, 390
 Hines, B. E. 1994, *Proc. SPIE*, 2200, 98
 Ishimaru, A. 1978, *Wave Propagation and Scattering in a Random Media*, Vol. 2 (New York: Academic)
 Kay, S. M., & Marple, S. L., Jr. 1981, *Proc. IEEE*, 69, 1380
 Krim, M. H. 1975, *Opt. Eng.*, 14, 552
 Mayor, M., & Queloz, D. 1995, *Nature*, 378, 355
 Noll, R. J. 1976, *J. Opt. Soc. Am.*, 66, 207
 Quirrenbach, A., Mozurkewich, D., Buscher, D. F., Hummel, C. A., & Armstrong, J. T. 1994, *A&A*, 286, 1019
 Roddier, F., Northcott, M. J., Graves, J. E., & McKenna, D. L. 1993, *J. Opt. Soc. Am. A*, 10, 957
 Shao, M., & Colavita, M. M. 1992a, *ARA&A*, 30, 457
 ———. 1992b, *A&A*, 262, 353
 Shao, M., & Staelin, D. H. 1980, *Appl. Opt.*, 19, 1519
 Shao, M., et al. 1988, *A&A*, 193, 357
 Shao, M., et al. 1990, *AJ*, 100, 1701
 Tango, W. J., & Twiss, R. Q. 1974, *Appl. Opt.*, 13, 1814
 ———. 1980, in *Progress in Optics*, Vol. 17, ed. E. Wolf, 239
 Unwin, S., Boden, A., & Shao, M. 1997, in *AIP Conf. Proc. 387, Space Technology and Applications International Forum* (New York: AIP), 63
 Wallace, J. K. 1998, *Proc. SPIE*, 3350, 864