



US005375221A

# United States Patent [19] Wright II et al.

[11] Patent Number: **5,375,221**  
[45] Date of Patent: **Dec. 20, 1994**

[54] **STAND-ALONE DIGITAL DATA STORAGE CONTROL SYSTEM INCLUDING USER CONTROL INTERFACE**

5,218,685 6/1993 Jones ..... 395/425  
5,233,692 8/1993 Gajjar et al. .... 395/425

[75] Inventors: **Kenneth D. Wright II**, Hampton; **David L. Gray**, Newport News, both of Va.

*Primary Examiner*—Joseph L. Dixon  
*Assistant Examiner*—Hiep T. Nguyen  
*Attorney, Agent, or Firm*—Linda B. B. Blackburn

[73] Assignee: **The United States of America as represented by the Administrator of the National Aeronautics and Space Administration**, Washington, D.C.

[57] **ABSTRACT**

[21] Appl. No.: **799,571**

A storage control system includes an apparatus and method for user control of a storage interface to operate a storage medium to store data obtained by a real-time data acquisition system. Digital data received in serial format from the data acquisition system is first converted to a parallel format and then provided to the storage interface. The operation of the storage interface is controlled in accordance with instructions based on user control input from a user. Also, a user status output is displayed in accordance with storage data obtained from the storage interface. By allowing the user to control and monitor the operation of the storage interface, a stand-alone, user-controllable data storage system is provided for storing the digital data obtained by a real-time data acquisition system.

[22] Filed: **Nov. 27, 1991**

[51] Int. Cl.<sup>5</sup> ..... **G06F 13/10**

[52] U.S. Cl. .... **395/425; 364/DIG. 1; 364/238.3; 364/239.2**

[58] Field of Search ..... **395/400, 425; 364/200 MS, 900 MS**

[56] **References Cited**

**U.S. PATENT DOCUMENTS**

4,791,622	12/1988	Clay et al. ....	369/59
4,843,544	6/1989	Dulac et al. ....	395/250
5,179,666	1/1993	Rimmer et al. ....	395/275
5,204,786	4/1993	Ishii et al. ....	360/32

**20 Claims, 7 Drawing Sheets**

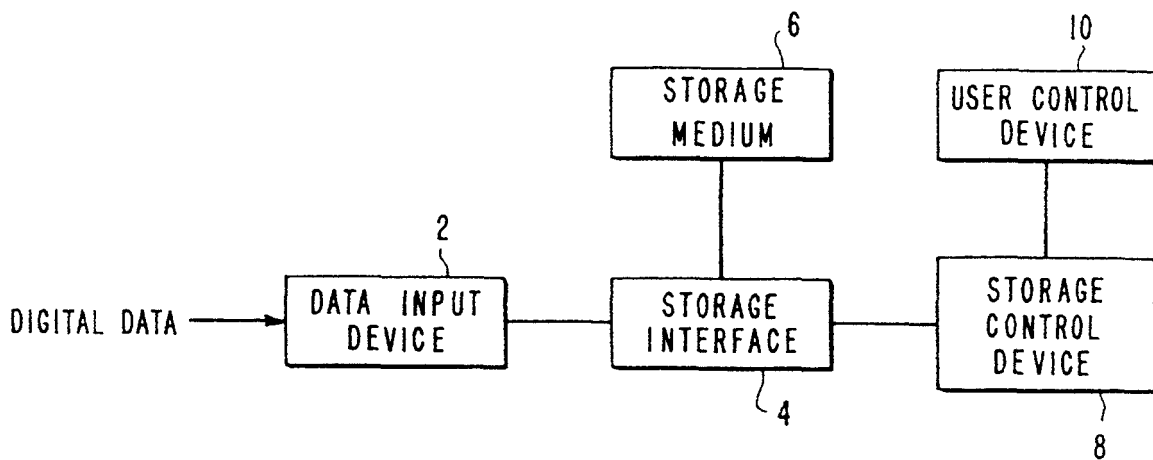


FIG. 1

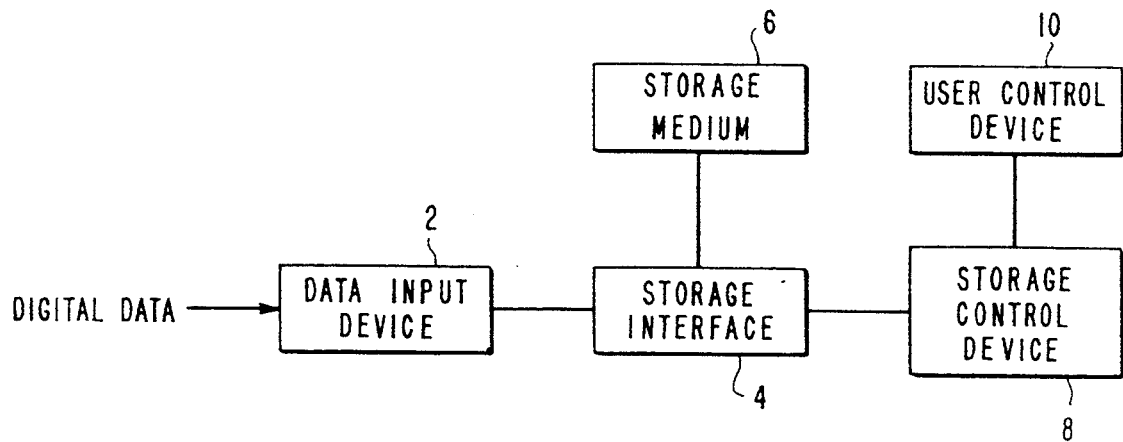
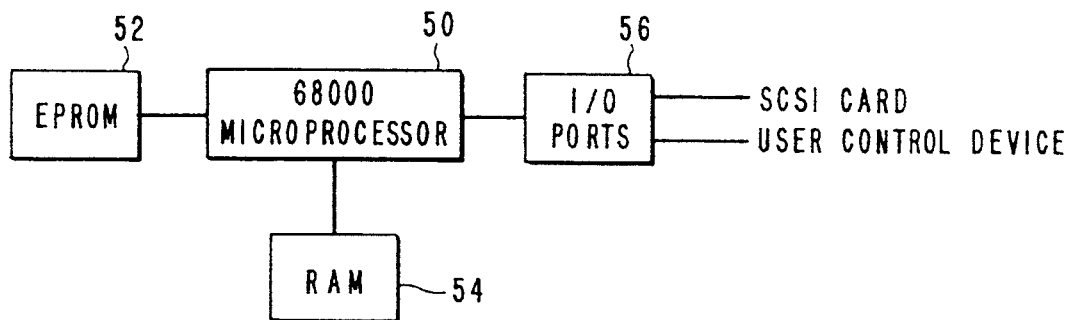
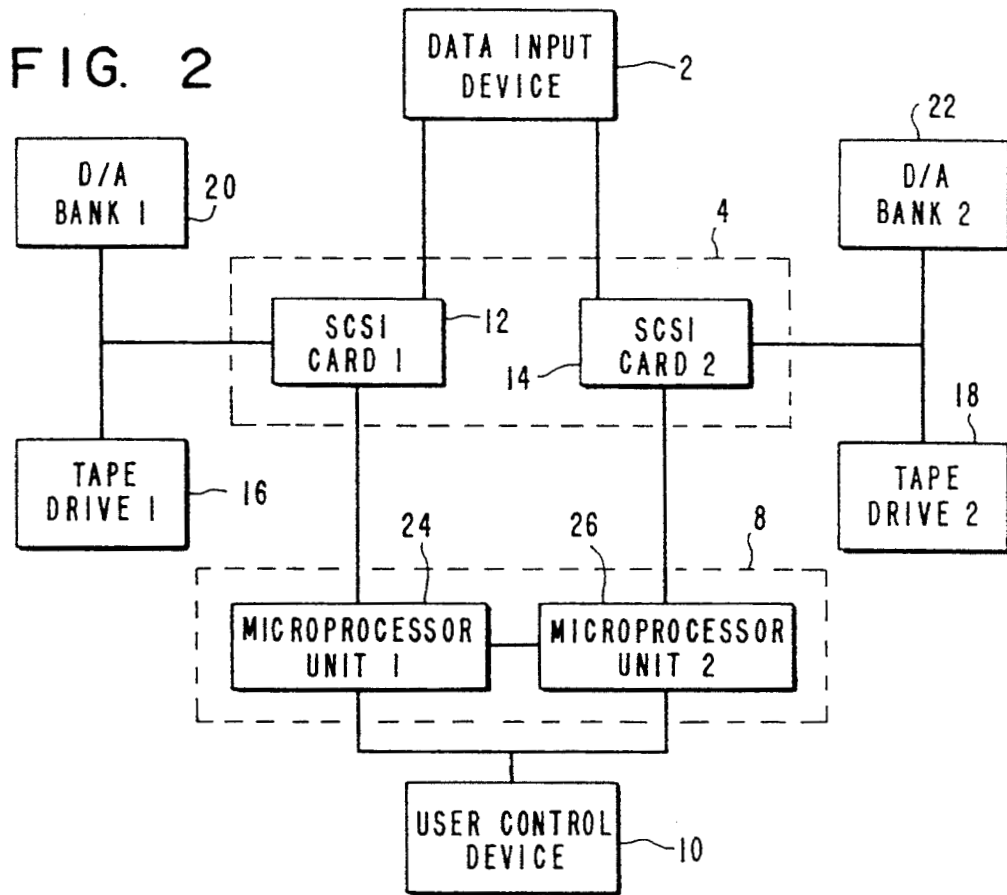


FIG. 4





**FIG. 3**

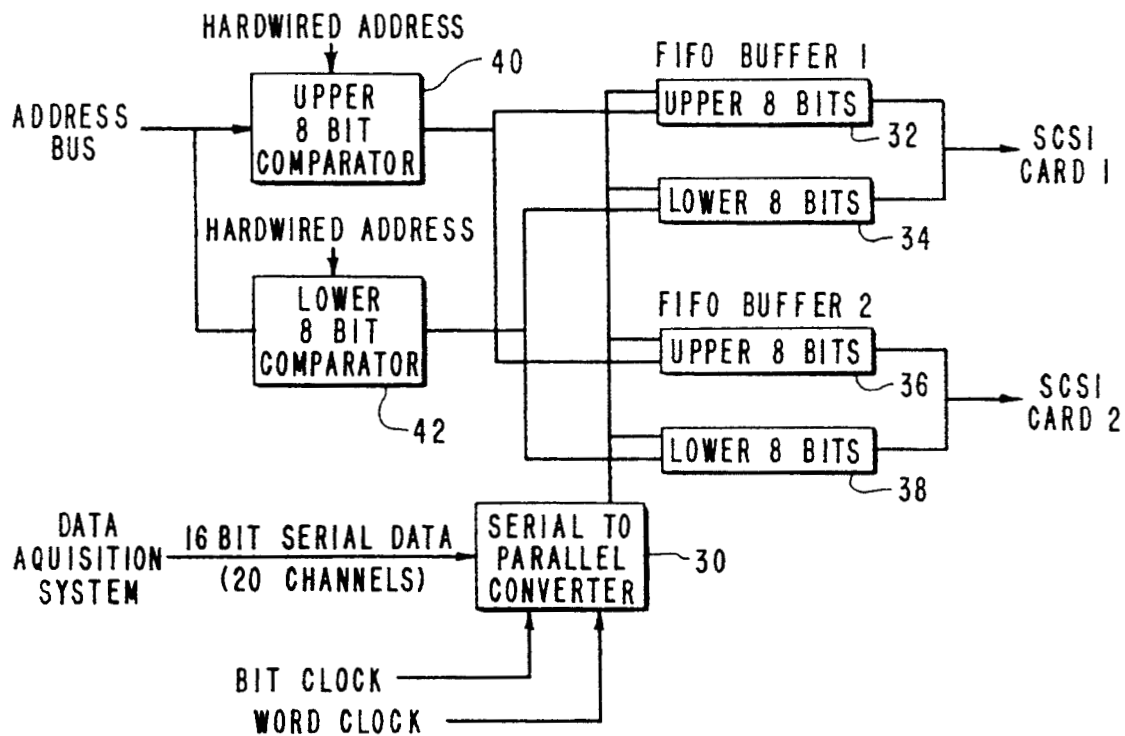


FIG. 5

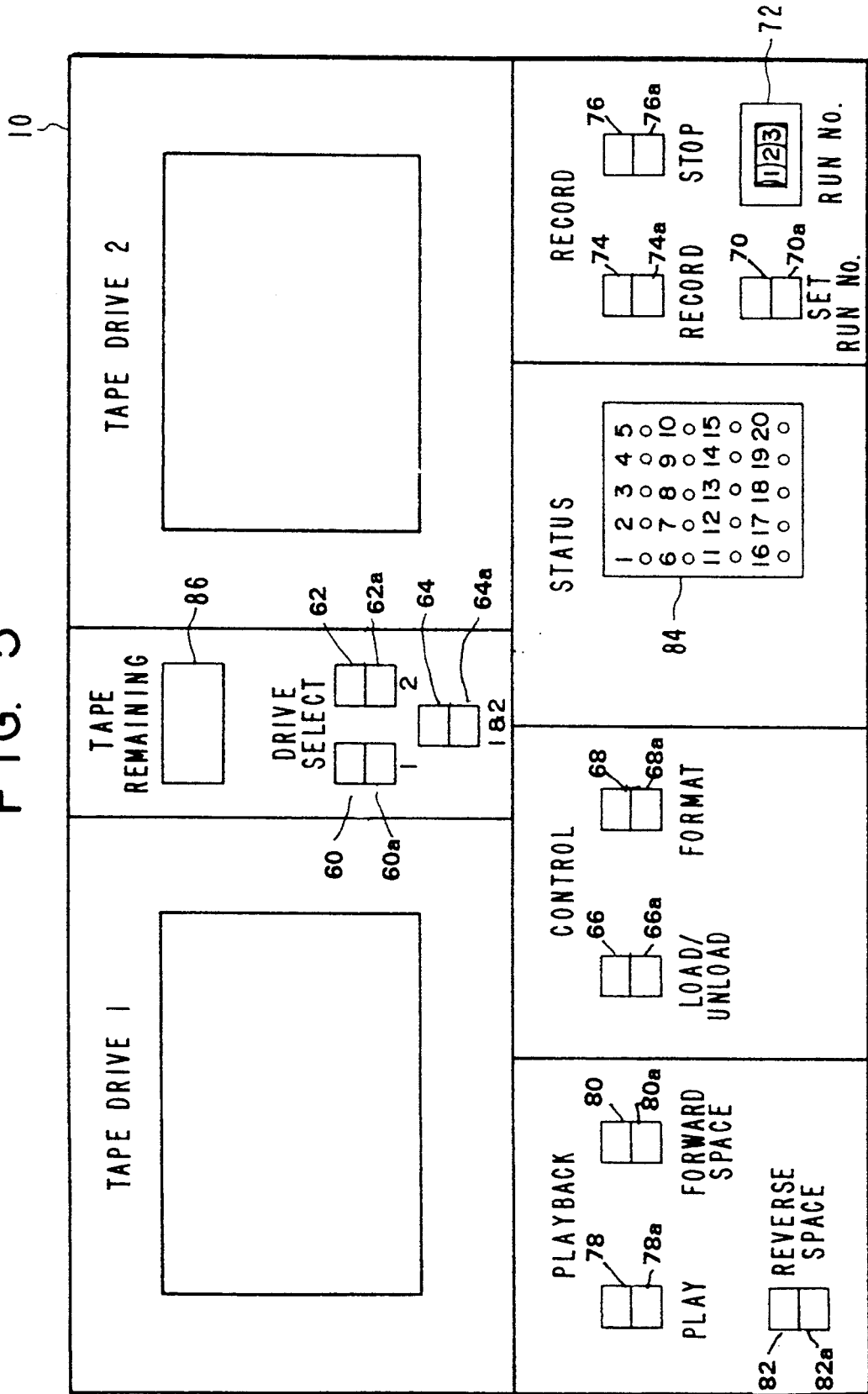


FIG. 6

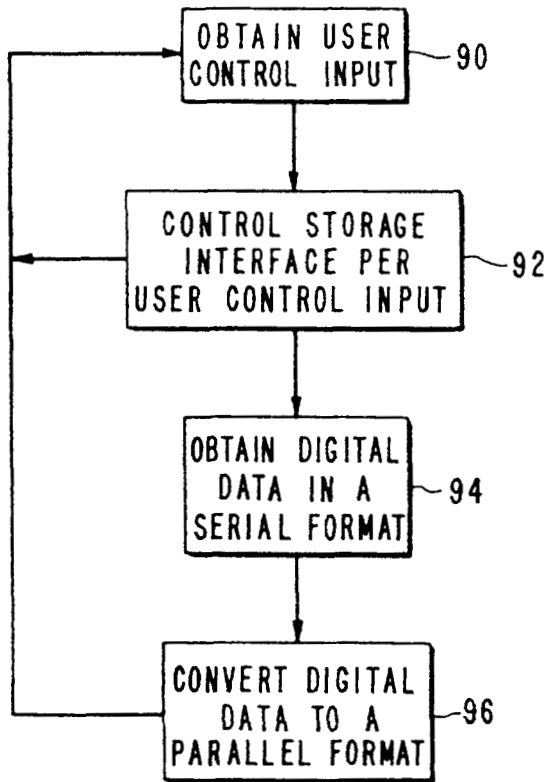


FIG. 8

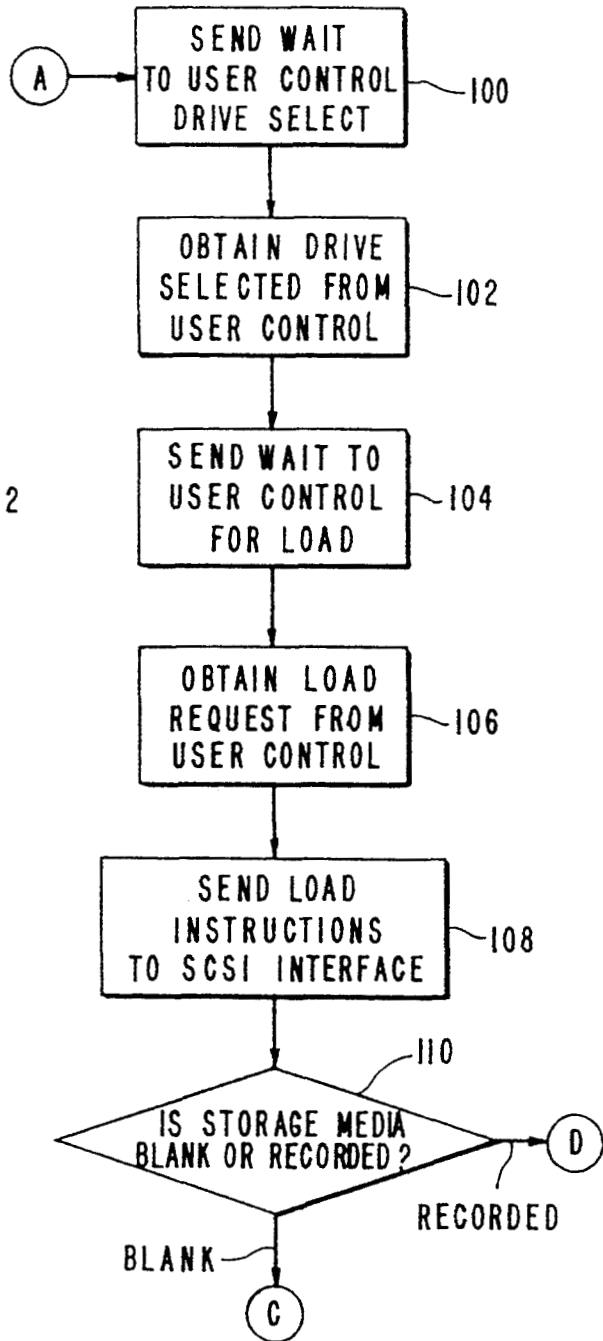


FIG. 7

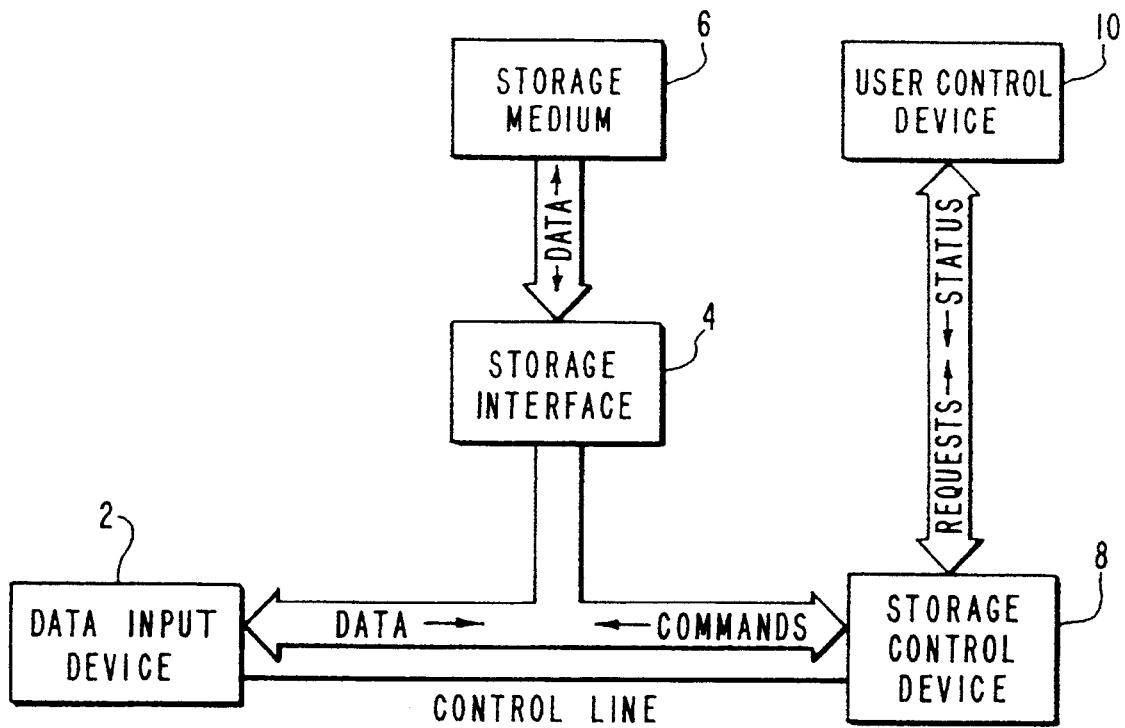


FIG. 9

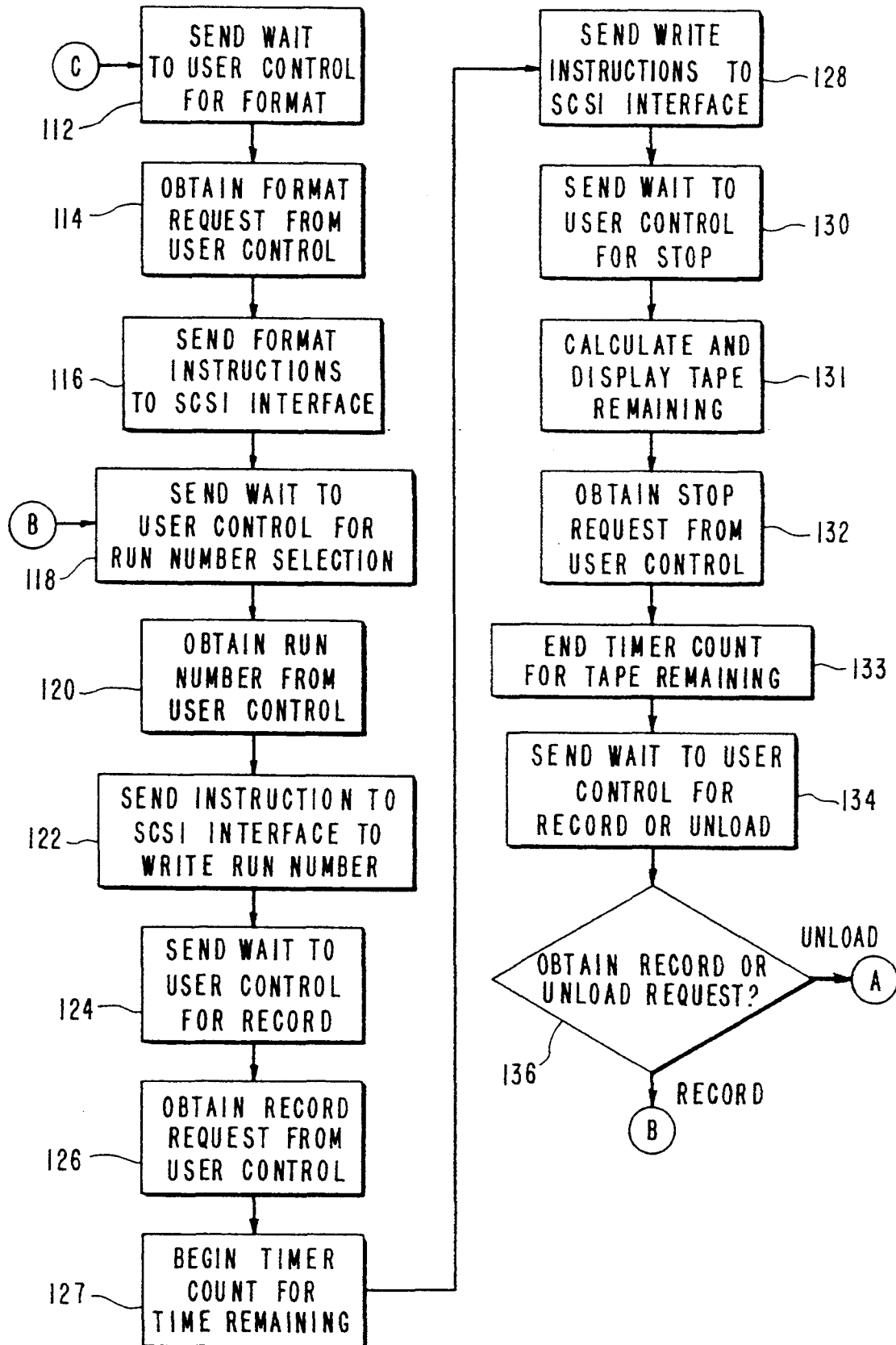
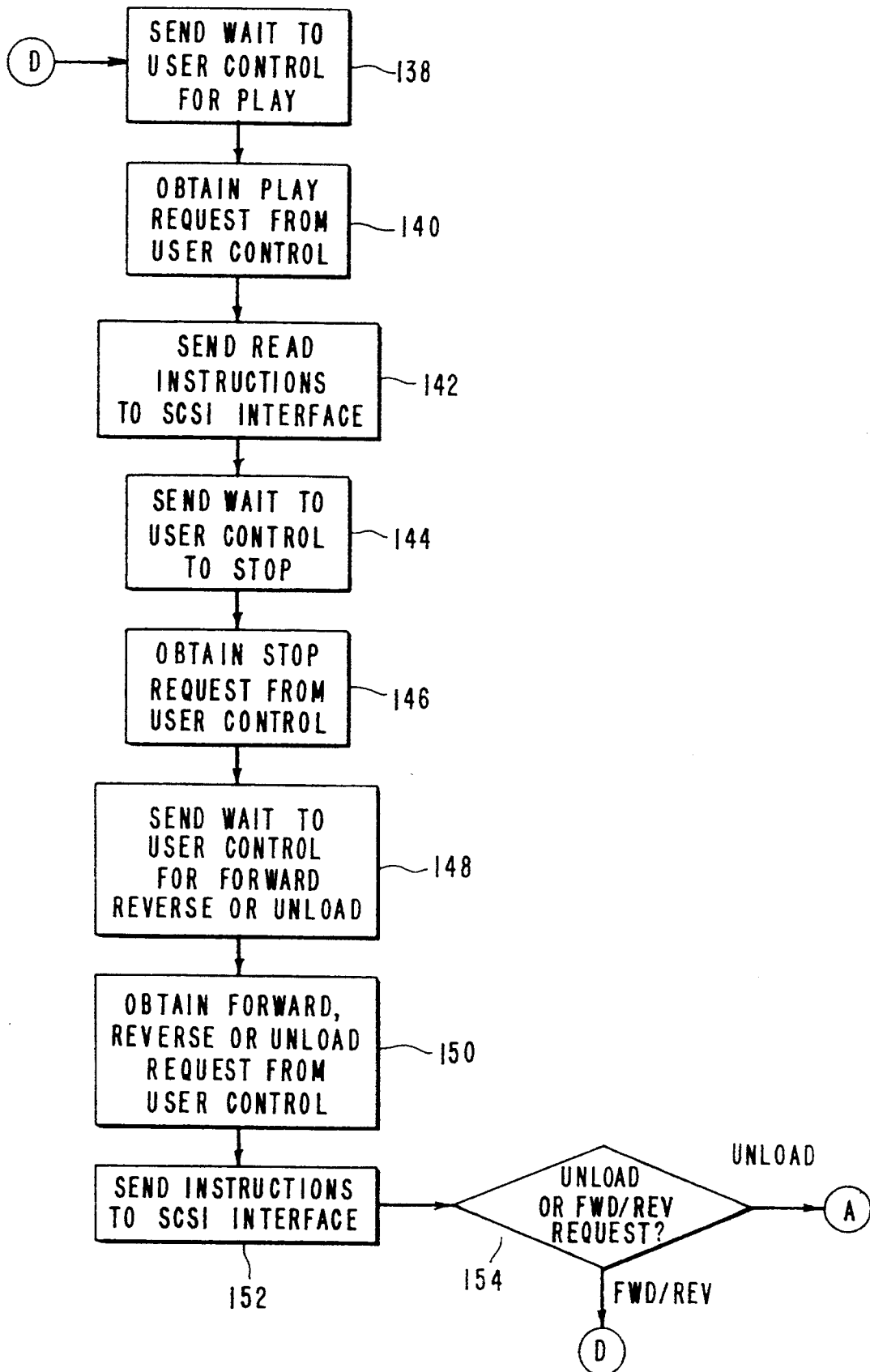


FIG. 10





## STAND-ALONE DIGITAL DATA STORAGE CONTROL SYSTEM INCLUDING USER CONTROL INTERFACE

### ORIGIN OF THE INVENTION

The invention described herein was made by employees of the U.S. government and may be manufactured and used by or for the government for governmental purposes without the payment of any royalties thereon or therefore.

### BACKGROUND OF THE INVENTION

#### 1. Field of the Invention

The present invention is directed to a storage control system and, more particularly, to a digital data storage control system that utilizes a storage interface to control the storage of digital data on a storage medium under the control input by a user.

#### 2. Description of the Related Art

A system is desirable that provides a cost effective way to store a large volume of data from a variety of sources. This is a particularly significant objective in the field of real-time data acquisition. For example, a system is desired that is capable of storing over 5 gigabytes of digital data. The only known previously available systems able to store this quantity of data have been specialized magnetic tape units which use IEEE-488, RS-232 or a customized I/O port to transfer data to a reduction computer. However, these prior systems have been very expensive due both to initial purchase of the system and to cost of the storage media. Also, it has been difficult to transfer data with these systems because of slow transfer rates of the IEEE-488 and RS-232, and because of the time consuming interface to the customized I/O port.

Storage interfaces do exist, such as the SCSI (Small Computer Systems Interface), with high transfer rates and the ability to utilize high data capacity storage media. However, these interfaces are designed to accept instructions from a computer, traditionally to perform operations such as a backup operation, as in the case of the SCSI. As such, no means are currently available by which a user can control the storage interface to perform the high speed, high capacity storage which is desired, for example, to record data obtained in real-time data acquisition. Thus, a system is desired which provides a user with the ability to control the operation of a storage interface so as to control a high speed, high capacity storage operation.

### SUMMARY OF THE INVENTION

An object of the invention is to provide user control of a storage interface operating a storage media to control the storage of digital data as desired.

Still another object of the invention is to provide a storage control interface with instructions necessary to obtain, record, play, drive select and run number setting operations.

Another object of the invention is to provide a status output to a user indicating operation details of the storage of digital data obtained by an existing storage interface.

A final object of the invention is to provide a storage control system capable of obtaining cost-effective, high quantity storage of digital data at a high transfer rate.

The present invention obtains the above and other objects by providing a digital data storage control sys-

tem that allows the user to utilize a storage interface to control the storage of digital data on a storage medium. The storage control system includes an apparatus or a method for controlling a storage interface to operate a storage medium to store data obtained by a real-time data acquisition system. Digital data received in serial format from the data acquisition system is first converted to a parallel format and then provided to the storage interface. The operation of the storage interface is controlled in accordance with instructions based on user control input from a user. Also, a user status output is displayed in accordance with the storage operations performed by the storage interface. By allowing the user to control and monitor the operation of the storage interface, the present invention provides a stand-alone, user-controllable data storage system capable of high-speed, high density storage of the digital data obtained by a real-time data acquisition system.

These and other features and advantages of the storage control system of the present invention will become more apparent with reference to the following detailed description and drawings.

### BRIEF DESCRIPTION OF THE DRAWINGS

FIG. 1 is a block diagram which illustrates the apparatus for controlling the storage interface to operate the storage medium in accordance with the present invention;

FIG. 2 is a block diagram illustrating a preferred embodiment of the storage control system of the present invention;

FIG. 3 is a block diagram illustrating the data input device 2 of FIG. 2 in greater detail;

FIG. 4 is a block diagram illustrating the microprocessor unit 8 of FIG. 2 in greater detail;

FIG. 5 is a front view of the user control device from FIG. 2 in greater detail;

FIG. 6 is a flowchart of the overall process performed by the storage control system of the present invention;

FIG. 7 is a diagram illustrating the data flow through the computer storage system of the present invention, in accordance with the general process in FIG. 6 which is executed by the storage control device 8;

FIGS. 8, 9 and 10 are flowcharts of the process performed by the microprocessor units in the preferred embodiment of the storage control system of the present invention; and

In the drawings, parts that are the same as those shown in previous figures are given the same reference numbers.

### DETAILED DESCRIPTION OF THE PREFERRED EMBODIMENTS

As discussed, the present invention provides a storage control system for controlling a storage interface to operate a storage medium so as to store data obtained by a real-time data acquisition system in accordance with the input of a user.

FIG. 1 is a diagram which illustrates the apparatus for controlling the storage interface to operate the storage medium in accordance with the present invention. In FIG. 1, the data input device 2 receives digital data in serial format from a data acquisition system and converts the serial format digital data to a parallel format. By converting the digital data to parallel format, the data input device allows the present invention to con-

trol storage of data acquired in any data acquisition system that provides the digital data in serial format. An example of such a data acquisition system is the digital acoustic measurement system described in *A Field Deployable Digital Acoustic Measurement System*, by David L. Gray, Kenneth D. Wright and Wayne D. Rowland, available from NASA Langley Research Center. The digital data is provided to the storage interface 4, which operates the storage of digital data on the storage medium 6. The storage interface is, for example, an SCSI (Small Computer Systems Interface) interface, but it could also be a DSSI (Digital Storage System Interface), an IEEE-488 (a standard IEEE reference) or a VME (also a standard IEEE reference which is referenced as IEEE P1014/P1.2). All such interfaces can be referenced or readily obtained through the purchase of cards, such as the SCSI interface card. One or more such cards can be provided. The storage medium itself is, for example, one or more 8 mm. helical scan tape drives, but could also be any storage medium, such as an optical disk. The use of the storage interface such as an SCSI renders the storage control system flexible as to storage media and capable of accommodating future developments in storage devices. The storage control device 8 controls the operation of the storage interface in accordance with user control input from the user control device 10. Specifically, the storage control device receives user control input, such as a play request, and provides instructions to the storage interface, such as read instructions, to perform the storage operations necessary to honor the request by the user. Also, the storage control device can obtain information from the storage interface necessary to provide the user control device with status information to be displayed regarding the status of the storage devices and operations. Since the user control device allows the user to control and monitor the storage operations by using the storage control device to control the storage interface, a stand-alone user controllable data storage system is obtained.

FIG. 2 is a diagram illustrating a preferred embodiment of the storage control system of the present invention. In FIG. 2, two SCSI cards 12 and 14 are provided as the storage interface 4. The SCSI cards 12 and 14 each control tape drives 16 and 18, respectively. The D/A banks 20 and 22 are provided to the tape drives 16 and 18, respectively, to monitor the data going onto the tape drives 16 and 18 during a record operation and coming off of the tape drives 16 and 18 during a play operation. Two microprocessor units 24 and 26 are provided as the storage control device 8, the two microprocessor units 24 and 26 corresponding to the two SCSI cards 12 and 14, respectively. The use of either or both tape drives 16 and 18 can be selected by the user via the user control device 10. For example, when the tape drive 16 is selected, the microprocessor unit 24 is active to control the SCSI card 12 to perform storage operations involving the tape drive 16. By providing two separate workable storage systems in the preferred embodiment, both units may be run in a synchronized manner so as to create a backup in real time. Also, if a malfunction develops with one of the tape drives 16 or 18, then the other drive can be used independently until the problem is resolved.

FIG. 3 is a diagram illustrating the data input device 2 in greater detail. A serial to parallel converter 30 is provided which receives 16 bit serial data from the data acquisition system, and receives inputs from a bit clock and word clock to perform the serial to parallel conver-

sion of the digital data. The digital data is then provided to the upper 8 bit 32 and lower 8 bit 34 of FIFO buffer 1 and to the upper 8 bits 36 and lower 8 bit 38 of FIFO buffer 2. The digital data in the FIFO buffer 1 is provided to the SCSI card 12 and the digital data in the FIFO buffer 2 to the SCSI card 14.

Address decoding hardware is also provided so that the serial data obtained from the data acquisition system can be provided along multiple channels. For example, in the preferred embodiment the 16 bit serial data is provided to the serial to parallel converter 30 along 20 channels. To ensure that the FIFO buffers 1 and 2 send the digital data to the SCSI cards only one byte at a time, the upper and lower 8 bit comparators 40 and 42 are provided. Each of the comparators 40 and 42 receives input from an address bus and also a hardwired address. For example, when the address on the address bus corresponds to the specific hardwired address provided to the upper 8 bit comparator 40, the output to the upper 8 bit 32 of FIFO buffer 1 and upper 8 bit 36 of FIFO buffer 2 allow the upper 8 bit digital data for each of the two buffers to be sent to the SCSI cards 12 and 14, respectively, at that time. When the address on the address bus corresponds to the specific hardwired address provided to the lower 8 bit comparator 42, the output to the lower 8 bit 34 of FIFO buffer 1 and the lower 8 bit 38 of FIFO buffer 2 allow the lower 8 bit digital data to be provided to the SCSI cards 12 and 14, respectively, at that time.

FIG. 4 is a diagram illustrating the microprocessor unit 24 in greater detail. Because the microprocessor units 24 and 26 are identical in the preferred embodiment and perform the same function, it should be noted that the microprocessor unit illustrated in FIG. 4 also describes the microprocessor unit 26. A 68,000 microprocessor 50 is provided which executes the control necessary to control the SCSI card 12 in accordance with the user input from the user control device 10. An EPROM 52 is provided which stores the control program executed in the 68,000 microprocessor 50, in 68,000 machine language code. This program is, for example, hard coded into the EPROM after assembling a 68,000 assembly language program with an assembler such as an AUDLET 68000 assembler, running on a 12 MHz 286 computer with a DOS operating system. The assembly language program is converted into machine code by, for example, an ORION UNILAB 8620, the machine code is burned into the EPROM 52. One example of an assembly language program written to provide the control program in the preferred embodiment is provided at the end of the detailed description and before the claims in this application, in accordance with M.P.E.P. 680.05. A RAM 54 is provided for storing the executable portions of the control program obtained from the EPROM during the execution of the control program by the 68,000 microprocessor 50. I/O ports 56 are provided for outputting interface control instructions from the 68,000 microprocessor 50 to the SCSI card 12 in accordance with the control program, and for inputting information from the SCSI card 12 which can be converted to status information by the control program executed by the 68,000 microprocessor 50 and then output to the user control device 10 via the I/O ports 56.

FIG. 5 is an illustration of the user control device 10 in the preferred embodiment of the storage control system in the present invention. In the preferred embodiment, the user control device is a user display and

control panel with conventional digital switches for user input and conventional light displays such as LEDs for displaying status information. Drive select switches 60, 62 and 64 are provided for selecting which of the tape drives 16 and 18 will be accessed to perform the storage operations corresponding to the digital data obtained from the data acquisition system. The drive select switch 60 selects tape drive 16, the drive select switch 62 selects tape drive 18 and the drive select switch 64 selects both tape drives 16 and 18. A load/unload switch 66 is provided for performing a load or unload operation for the tape drive selected. A format switch 68 is provided for requesting a format operation when the drive selected is blank. In such a case, a run number can be set identifying the digital data that will be recorded on to the blank drive by setting the set run number switch 70 and turning the run number dials 72 to the run number desired. The record switch 74 is provided to request a recording operation. This operation is performed until the stop switch 76 is selected.

When the tape on the drive selected is not blank but has already been recorded on, a play operation may be selected. The play switch 78 is provided for requesting this play operation. A forward space switch 80 and reverse space switch 82 are also provided for positioning the tape in the selected drive so that the play operation is performed at a desired tape location. The play operation is performed until the stop switch 76 is operated to request termination of the play operation.

Status lights 84 are provided for indicating the status of each of the channels and the drives. The status lights are only active during the record operation. They are controlled by digital logic gates which receive the serial data for each channel as input and provide output to each status light. If data is being received from any 1 of the maximum of 20 channels, then the logic gates enable an inactive channel status light for each channel that is not receiving data to the data input card. Inactive channels have a full scale positive DC level on the output of the inactive channels FIFO's. The user selects whether this channel is to be put on storage media or if it is to be ignored such that the inactive channel is skipped.

Also, the amount of tape remaining is indicated on the light display 86. The tape remaining is calculated by the microprocessor 50 (FIG. 4) and periodically updated, as will be explained.

Status lights (i.e., 60a, 62a, 64a, 66a, 68a, 70a, 74a, 76a, 78a, 80a and 82a) are provided for indicating the status of each of the storage functions. Each switch associated with a storage function (i.e., 60, 62, 64, 66, 68, 70, 74, 76, 78, 80 and 82) has a status light positioned adjacent to it such that the light indicates whether the function controlled by the switch is available to the user.

FIG. 6 shows the overall process performed by the storage control system of the present invention. As previously noted, control of the storage interface 4 is performed by the storage control device 8 in accordance with inputs from the user control device, such as those described in the preferred embodiment description in FIG. 5. Before describing in detail the control operations performed by the storage control device in accordance with the preferred embodiment, however, the control process in general will be described, since the general user control of the storage operations performed by the storage interface can be embodied in the many different forms.

In FIG. 6, user control input is first obtained (90) from the user control device 10. Then, the storage interface 4 is controlled (92) in accordance with the user control input provided. Specifically, instructions are provided to the storage interface 4 which are of the type and format that the storage interface 4 is designed to receive. If the user control input is not of the type requiring digital data to be received from the data acquisition system, then the storage control device continues to obtain user control input (90). If the user control input requests storage operations requiring that digital data is obtained from the data acquisition system, then the digital data is obtained (94) in a serial format and converted 96 to a parallel format. The control process is provided as a loop, so that user control input is once again continually obtained 90.

FIG. 7 is an illustration of the data flow through the computer storage system of the present invention in accordance with the general process in FIG. 6 which is executed by the storage control device 8. The storage control device 8 obtains requests from the user control device 10. The storage control device sends commands to the storage interface 4 which instruct the storage interface 4 to perform storage operations necessary to realize the requests obtained from the user control device 10. Depending on the commands sent by the storage control device 8, the storage interface 4 reads or writes data to or from the storage medium 6, or obtains the data from the data input device 2, as shown by the data flow lines on FIG. 7.

FIGS. 8, 9 and 10 show the process in detail that is performed by the microprocessor units 24 and 26 in the preferred embodiment of the storage control system of the present invention. The process described in FIGS. 8-10 corresponds to the preferred embodiment apparatus shown in FIGS. 2-5. As earlier noted, one example of an assembly language program which can be assembled into machine code to be hard coded onto the EPROM 52 in the microprocessors 24 and 26, is provided in the Appendix to this application. All steps shown in FIGS. 8-10 are performed by execution of the control program in the storage control device 8.

In FIG. 8, a wait instruction is first sent 100 to inform the user control device that the storage device is awaiting a drive select request. When the drive has been selected by the user via the user control device by operating switches 60, 62 or 64, the selected drive is obtained 102 from the user control device by the storage control device. Then, the storage control device sends a wait instruction indicating to the user control device that the storage control device is awaiting a load request. Upon operation of the load/unload switch 66 in the user control device 10, the storage control device obtains 106 the load request from the user control device 10 and sends 108 the appropriate load instructions to the SCSI interface to perform the load operation desired. If the storage medium is blank then a wait instruction is sent 112 to the user control device indicating that the storage control device awaits a format request. Upon user selection of a format request by operating the format switch 68 on the user control device 10, the format request is obtained 114 from the user control device 10 and appropriate formatting instructions are sent to the SCSI interface to perform the operations necessary to obtain the desired format operation. Then, a wait instruction is sent 118 to the user control device to await a run number selection, and when the run number has been selected via the set run number switch 70

and run number dial 72, the run number is obtained 120 and instructions are sent 122 to the SCSI interface to write the run number on to the tape on the selected drive. Next, a wait instruction is sent 124 to the user control device indicating that a record request is 5 awaited. When the record switch 74 is operated, the record request obtained 126 from the user control device. A timer is started 127 used to calculate the amount of tape remaining. Then, appropriate write instructions are sent 128 to the SCSI interface to perform the desired 10 record operation. A wait instruction is sent 130 to the user control device indicating that a stop request is awaited. Then, the microprocessor calculates the total time available on a blank storage media based on the following formula

INITIAL TOTAL TIME =

$$\frac{\text{TOTAL KNOWN CAPACITY OF STORAGE MEDIA}}{\text{DATA TRANSFER RATE}}$$

the data transfer rate is set by the user before recording begins. A timer in the microprocessor 50 starts to count when record is initiated and ends when the record process is stopped. The running time of the timer is subtracted from the initial total time and the display is 25 updated 131 every minute by the microprocessor. The recording operation continues until the stop switch 76 is operated and the stop request is obtained 132 from the user control device. Then, a wait instruction is sent 134 to the user control device to await a record or unload instruction. If 136 an unload request is indicated by selection of the load/unload switch 66, then control returns to step 100 and proceeds as described above. If, however a record request is obtained at 136, control returns to step 118 and proceeds as described above. 30

The case has been described where the storage medium is found to be blank at step 110. When the storage medium has been recorded on, however, control proceeds to step 138. A wait instruction is sent 138 to the

user control device to await a play request. Upon operation of the play switch 78, the play request is obtained 140 from the user control device and appropriate read instructions are sent 142 to the SCSI interface. A wait instruction is sent 144 to the user control device to await 5 a stop request, and the play operation continues until the stop switch 76 is operated and the stop request is thereby obtained 146 from the user control. A wait instruction is then sent 148 to the user control device to 10 await a forward, reverse or unload instruction. The forward, reverse or unload request is obtained 150 from the user control device through operation of either the forward space switch 80, reverse space switch 82 or load/unload switch 66, and the appropriate instructions are sent 152 to the SCSI interface to perform the desired 15 operation. If 154 the user input was a forward or reverse request, then control returns to step 138 once the storage control device has obtained the desired forward space or reverse space operation via the storage interface. If, however the user input was an unload request, then control returns to the beginning of the process at step 100. 20

By executing the process described above, the storage control device allows the SCSI interface to be utilized as a stand-alone, user-controllable data storage 25 system for storing digital data obtained by a real-time data acquisition system. Although the preferred embodiment for obtaining the storage control device of the present invention has been described above, the present 30 invention is not limited to this single embodiment, and may be embodied in many different forms without departing from the general concept of providing storage control of an existing storage interface in accordance with storage operation requests input by a user.

An example of the assembly language program which can be converted into the control program stored in the EPROM 52 and executed by the microprocessor 50 in accordance with the preferred embodiment of the present invention, is provided below. 35

LAR 14651-1

PATENT APPLICATION

```
*software to run PRIMARY tape drive no resistors on ports
MOVE.B    #$00,$41500
NOP
NOP
BEGIN     move.b    #$80,$1A000d    *port 3a to submode 1x
          move.b    #$80,$1A000F    *PORT 3B TO SUBMODE 1X
          move.b    #$02,$1a0007    *port 3b bit 1 in 2 out
          move.b    #$00,$1a0013    *reset port 3b
BEGIN2    move.b    #$80,$A000d     *set port 2a to submode 1x
          move.b    #$1F,$A0005     *port 2a bit 0 7 outputs
          move.b    #$80,$A000f     *set port 2b to submode 1x
          move.b    #$FF,$A0007     *port 2b all outputs
          move.b    #$80,$12000f    *port 1b to submode 1x
          move.b    #$ef,$120007    *bit 4 input
          move.b    #$7F,$1A0005    *port 3a bit 0-6 outputs

          move.b    #$00,$A0011     *clear all lines port 2a
          move.b    #$00,$A0013     *clear all lines port 2b
          move.b    #$00,$1A0011    *clear all lines port 3a
          move.b    #$ff,$120013    *preset 1b to all ones

          move.b    #$01,$A0011     *reset daves boards
          move.b    #$11,$1A0011    *reset kens boards
```

```

nop
move.b    #$00,$1A0011  *remove kens reset(non-d/a)
move.b    #$ff,$41401   *initialize hi time byte
move.b    #$ff,$41403   *initialize mid time byte
move.b    #$ff,$41405   *initialize low time byte
move.b    $A0011,d1     *load port a into d1

MOVE.B    $41500,D2
AND.B     #$FF,D2
BNE       NXTCONT      *CHECK IF 1ST TIME BIT SET

MOVE.B    #$FF,$41500   *LOAD FOR DETECT OF FIRST TIME
*set L5380 to be initiator
move.b    #$00,d3       *load d3 with data for reg 2
move.b    #$ea,d2       *load d2 with reg2
bsr      wreg           *write to reg 2
*choose SCSI ID
move.b    #$e9,d2       *load d2 with reg 4
move.b    #$02,d3       *load d3 with data for reg 4
bsr      wreg
*go through selection phase to command phase
bra      chkbsy
RT1      bsr           comm
*start SCSI command 00h (TEST UNIT READY)
*subroutine to send test unit ready (00h) command
move.b    #$00,d3       *load D3 with byte 0
bsr      HNDSHK         *send byte 0
move.b    #$00,d3       *load D3 with byte 1
bsr      HNDSHK         *send byte 1
move.b    #$00,d3       *load D3 with byte 2
bsr      HNDSHK         *send byte 2
move.b    #$00,d3       *load D3 with byte 3
bsr      HNDSHK         *send byte 3
move.b    #$00,d3       *load D3 with byte 4
bsr      HNDSHK         *send byte 4
move.b    #$00,d3       *load D3 with byte 5
bsr      HNDSHK         *send byte 5
nop
rts
chkbsy   bsr           RT1
move.b    #$7e,d2       *load d2 w/reg.3
move.b    #$03,d3       *ld d3 w status 0
bsr      WREG
bsr      HNDREAD
and.b     #$02,d4       *check for good status
BEQ      CHKBSY2
move.b    #$fe,d2
move.b    #$0f,d3
BSR      WREG
BSR      HNDREAD       *hndshk msg.in
BRA      CHKBSY
CHKBSY2  MOVE.B        #$FE,D2
MOVE.B    #$0f,d3
BSR      WREG
BSR      HNDREAD       *hndshk msg.in
newchk   bsr           RT1
move.b    #$7e,d2
move.b    #$03,d3
bsr      wreg
bsr      hndread

```

```

and.b      #$08,d4
beq        chkbsy3
move.b     #$fe,d2
move.b     #$0f,d3
bsr       wreg
bsr       hndread
bra       newchk
chkbsy3   move.b     #$fe,d2
          move.b     #$0f,d3
          bsr       wreg
          bsr       hndread
*turn on drive select leds

NXTCONT   move.b     #$7F,$1A0005  *port 3a bit 0-6 outputs
          move.b     #$FF,$A0005   *port 2a bit 0 4 outputs
          move.b     #$01,$A0011   *reset daves boards
          move.b     #$11,$1A0011  *reset kens boards
          MOVE.B     #$05,$A0011   *RESET DAVES BDS
          NOP
          move.b     #$04,$A0011   *remove reset sel. rec/ply gp
          MOVE.B     #$02,$1A0007
          MOVE.B     #$00,$1A0013  *RESET LOOP COUNT BIT
          move.b     #$00,$1A0011  *remove kens reset(non-d/a)
sync      move.b     #$07,$A0013  *set bits for tape drv selection
          move.b     #$04,$A0011  *ASSERT GP SEL BIT
          NOP
          move.b     #$06,$A0011   *assert write bit
          nop
          move.b     #$04,$A0011   *go into read mode
          move.b     $a0013,d4
          cmp.b     #$07,d4       *chk for led set
          bne      sync
          MOVE.B     #$02,$1A0007
          MOVE.B     #$00,$1A0013
BSCWTO    MOVE.B     $1A0013,D3
          AND.B     #$01,D3       *WAIT FOR BKUP. UNT. RDY
          BEQ      BSCWTO
          MOVE.B     #$02,$1A0013
bkupwt   move.b     $1a0013,d4
          and.b     #$01,d4
          bne      bkupwt
          nop
          MOVE.B     #$00,$1A0013  *RESET PRIM RDY BIT
          move.b     #$00,$A0007   *port 2b all inputs
WAIT     move.b     $A0013,d1
          and.b     #$01,d1       *drv 1 & 2
          bne      drv2wt
          move.b     #$FF,$41000   *store mult. in RAM
          move.b     #$7f,$1a0005
          MOVE.B     #$00,$41303   *BLANK TAPE MIN REMAINING
          MOVE.B     #$00,$41301   *BLANK TAPE HOURS REMAINING
          nop
          MOVE.B     #$05,$A0011   *RESET SW. BOARDS
          nop
          BSR      SRDSPLY
          bra      continue
drv2wt   move.b     $A0013,d1
          and.b     #$02,d1       *drv 2
          bne      drv1wt
          move.b     #$00,$a0005
          move.b     #$00,$a0007

```

	move.b	#\$6f,\$120007	*eop input
	move.b	#\$00,\$41000	*store mult. in RAM
	MOVE.B	#\$02,\$1A0007	*BIT 2 &4 OUT 1 & 3 IN
INAC	move.b	#\$00,\$1a0005	
	MOVE.B	\$1A0013,D4	
	AND.B	#\$08,D4	
	BEQ	QUITLP	
	MOVE.B	\$1A0013,D4	
	AND.B	#\$01,D4	
	BEQ	INAC	
	MOVE.B	#\$02,\$1A0013	
PRIMOUT	MOVE.B	\$1A0013,D4	
	AND.B	#\$01,D4	
	BNE	PRIMOUT	
	MOVE.B	#\$00,\$1A0013	*reset bkup BKUP
	BRA	INAC	
*QUITLP	MOVE.B	#\$08,\$1A0013	
*delay to	allow RESETTING TAPES FOR NEXT TIME		
QUITLP	move.b	#\$00,\$a0021	*setup timer ctrl reg.
	move.b	#\$aa,\$a002b	*low byte of wait count
	move.b	#\$aa,\$a0029	*mid byte of wait count
	move.b	#\$11,\$a0027	*high byte of count reg
	move.b	#\$01,\$a0021	*start counter
swdly20	move.b	\$a0035,d5	*check for zero detect
	and.b	#\$01,d5	
	beq	swdly20	*proceed after. 4 seconds
	NOP		
	BRA	BEGIN	
drv1wt	move.b	\$A0013,d1	
	and.b	#\$04,d1	*drv 1
	bne	wait	
	move.b	#\$FF,\$41000	*store mult. in RAM
	move.b	#\$7f,\$1a0005	
	MOVE.B	#\$00,\$41301	*BLANK TAPE HOURS REMAINING
	MOVE.B	#\$00,\$41303	*BLANK TAPE MIN REMAINING
	nop		
	move.b	#\$05,\$A0011	*RESET SW. BOARDS
	NOP		
	BSR	SRDSPLY	
continue	move.b	\$41000,d3	*recall mult.
	move.b	#\$ff,d2	*I/O CTRL CODE
	AND.B	D2,D3	
	MOVE.B	D3,\$A0005	*SEND TO PORT ADDR
	move.b	#\$05,\$A0011	*reset sw. boards
	move.b	#\$11,\$1A0011	*reset flip flop
	nop		
	nop		
	move.b	#\$00,\$1A0011	*remove flip flop reset
sync2	move.b	#\$84,\$A0011	*set load led bit
	move.b	#\$86,\$A0011	*set write bit
	nop		
	move.b	#\$84,\$A0011	*reset write bit
	move.b	\$a0011,d4	
	cmp.b	#\$84,d4	
	bne	sync2	

BSCWT40	MOVE.B	\$1A0013,D3	
	AND.B	#\$01,D3	*WAIT FOR BKUP. UNT. RDY
	BEQ	BSCWT40	
	MOVE.B	#\$02,\$1A0013	
bkwt40	move.b	\$1a0013,d4	
	and.b	#\$01,d4	
	bne	bkwt40	
	NOF		
	MOVE.B	#\$00,\$1A0013	*RESET PRIM RDY BIT
	move.b	\$41000,d3	*recall mult.
	move.b	#\$1f,d2	*I/O CTRL CODE
	AND.B	D2,D3	
	MOVE.B	D3,\$A0005	*SEND TO PORT ADDR
ld	move.b	\$A0011,d1	*load 2a into d1
	and.b	#\$80,d1	*mask ld/unld
	bne	ld	*wait for sw. depression
	move.b	#\$05,\$A0011	*reset daves bds
ADDWT	MOVE.B	\$1A0013,D3	
	AND.B	#\$01,D3	*WAIT FOR BKUP. UNT. RDY
	BEQ	ADDWT	
	MOVE.B	#\$02,\$1A0013	
bkwta	move.b	\$1a0013,d4	
	and.b	#\$01,d4	
	bne	bkwta	
	NOF		
	MOVE.B	#\$00,\$1A0013	*RESET PRIM RDY BIT
ldagn	bsr	COMM	
	bsr	UNLOAD	
*check to	make sure	tape is loaded	
tapld	bsr	RT1	
	move.b	#\$7e,d2	*load d2 w/reg.3
	move.b	#\$03,d3	*ld d3 w status 0
	bsr	WREG	
	bsr	HNDREAD	
	and.b	#\$02,d4	*check for good status
	BEQ	tapld2	
	move.b	#\$fe,d2	
	move.b	#\$0f,d3	
	BSR	WREG	
	BSR	HNDREAD	*hndshk msg.in
	move.b	\$41000,d3	*recall mult.
	move.b	#\$FF,d2	*I/O CTRL CODE
	AND.B	D2,D3	
	MOVE.B	D3,\$A0005	*SEND TO PORT ADDR
	move.b	#\$84,\$A0011	*turn on load led
	move.b	#\$86,\$A0011	*SET WRITE BIT
	nop		
	move.b	#\$84,\$A0011	*RESET WRITE BIT
	move.b	\$41000,d3	*recall mult.
	move.b	#\$1F,d2	*I/O CTRL CODE
	AND.B	D2,D3	
	MOVE.B	D3,\$A0005	*SEND TO PORT ADDR
	move.b	\$A0011,d1	
	and.b	#\$80,d1	
	bne	tapld	
	move.b	#\$05,\$A0011	
	bra	ldagn	



```

tapld2  MOVE.B   #$FE,D2
        MOVE.B   #$0f,d3
        BSR     WREG
        BSR     HNDREAD      *hndshk msg.in
        bsr     waitsub
        MOVE.B   #$05,$A0011

truchk   bsr     RT1
        MOVE.B   #$7E,D2
        MOVE.B   #$03,D3
        BSR     WREG
        BSR     HNDREAD
        AND.B    #$08,D4
        BEQ     TAPLD3
        MOVE.B   #$FE,D2
        MOVE.B   #$0F,D3
        BSR     WREG
        BSR     HNDREAD
        BRA     TRUCHK
TAPLD3   MOVE.B   #$FE,D2
        MOVE.B   #$0F,D3
        BSR     WREG
        BSR     HNDREAD
        nop

BSCWT1   MOVE.B   $1A0013,D3
        AND.B    #$01,D3      *WAIT FOR BKUP. UNT. RDY
        BEQ     BSCWT1
        MOVE.B   #$02,$1A0013

bkwt1    move.b   $1a0013,d4
        and.b    #$01,d4
        bne     bkwt1
        NOP
        MOVE.B   #$00,$1A0013  *RESET PRIM RDY BIT

* check for data tape
DATCHK   bsr     COMM
        move.b   #$11,d3      *send fwdspace
        bsr     HNDSHK
        move.b   #$01,d3
        bsr     HNDSHK
        move.b   #$00,d3
        bsr     HNDSHK
        move.b   #$00,d3
        bsr     HNDSHK
        move.b   #$01,d3
        bsr     HNDSHK
        move.b   #$00,d3
        bsr     HNDSHK
        nop
        move.b   #$7e,d2      *load d2 w/reg.3
        move.b   #$03,d3      *ld d3 w status 0
        bsr     WREG
        bsr     HNDREAD
        and.b    #$ff,d4      *check for good status
        bne     BLKGP         *branch to blk gp tape
        move.b   #$fe,d2
        move.b   #$0f,d3
        BSR     WREG
        BSR     HNDREAD      *hndshk msg.in
        bra     RECGP        *BRANCH TO REC TAPE GP

```

\*DO YOU NEED CHECK CONDITION BEFORE EACH COMMAND ?

BLKGP	MOVE.B	#\$FE,D2	*MSG. IN AFTER SPACE STATUS
	MOVE.B	#\$0F,D3	
	BSR	WREG	
	BSR	HNDREAD	
BSCWT2	MOVE.B	\$1A0013,D3	
	AND.B	#\$01,D3	*WAIT FOR BKUP. UNT. RDY
	BEQ	BSCWT2	
bkwt2	MOVE.B	#\$02,\$1A0013	
	move.b	\$1a0013,d4	
	and.b	#\$01,d4	
	bne	bkwt2	
	NOP		
	MOVE.B	#\$00,\$1A0013	*RESET PRIM RDY BIT
	move.b	\$41000,d3	*recall mult.
	move.b	#\$FF,d2	*I/O CTRL CODE
	AND.B	D2,D3	
	MOVE.B	D3,\$A0007	*SEND TO PORT ADDR
	MOVE.B	#\$FF,\$A0005	*PORT 2A ALL OUTPUTS
	MOVE.B	#\$05,\$A0011	*RESET DAVES BDS
	NOP		
	MOVE.B	#\$04,\$A0011	*REMOVE RESET
	NOP		
sync3	MOVE.B	#\$10,\$A0013	*SET FORMAT BIT
	MOVE.B	#\$04,\$A0011	*SET GP SEL
	NOP		
	MOVE.B	#\$06,\$A0011	*WRITE BIT SET
	NOP		
	MOVE.B	#\$04,\$A0011	*GO INTO READ MODE
	MOVE.B	\$A0013,D4	
	CMP.B	#\$10,D4	
	BNE	SYNC3	
BSCWT42	MOVE.B	\$1A0013,D3	
	AND.B	#\$01,D3	*WAIT FOR BKUP. UNT. RDY
	BEQ	BSCWT42	
bkwt42	MOVE.B	#\$02,\$1A0013	
	move.b	\$1a0013,d4	
	and.b	#\$01,d4	
	bne	bkwt42	
	NOP		
	MOVE.B	#\$00,\$1A0013	*RESET PRIM RDY BIT
	MOVE.B	\$41000,D3	
	MOVE.B	#\$00,D2	
	AND.B	D2,D3	
	MOVE.B	D3,\$A0007	
FMTWT	MOVE.B	\$A0013,D1	
	AND.B	#\$10,D1	
	BNE	FMTWT	
	MOVE.B	#\$05,\$A0011	*RESET DAVES BDS
*CHANGE B1	BSR	B1	*FORMAT TAPE
BSCWT3	MOVE.B	\$1A0013,D3	
	AND.B	#\$01,D3	*WAIT FOR BKUP. UNT. RDY
	BEQ	BSCWT3	
	MOVE.B	#\$02,\$1A0013	
bkwt3	move.b	\$1a0013,d4	
	and.b	#\$01,d4	

```

bne          bkwt3
NOP
MOVE.B      #$00,$1A0013  *RESET PRIM RDY BIT

*CHECK SAMPLE RATE AND OUTPUT TIME REMAINING
BSR        SMPRT          *branch to sample rate proc.
BRA        RUNSEL        *branch to run no. sel. proc.

SRDSPLY    MOVE.B      $41000,D3      *RECALL MULILPIER
           MOVE.B      #$FF,D2       *I/O CTRL CODE
           AND.B       D2,D3
           MOVE.B      D3,$A0005     *SEND TO PORT ADDR
           MOVE.B      $41000,D3
           MOVE.B      #$FF,D2
           AND.B       D2,D3
           MOVE.B      D3,$A0007
           MOVE.B      #$1C,$A0011   *SET SAMPLE GROUP
           MOVE.B      $41301,D4     *LOAD HRS FROM RAM TO D4
           MOVE.B      D4,$A0013     *SEND HRS TO PORT
           MOVE.B      #$1E,$A0011   *SET UP FOR HIGH BYTE
           MOVE.B      #$3E,$A0011   *SET TIME LATCH
           MOVE.B      #$3C,$A0011   *RESET WRITE BIT
           MOVE.B      #$1C,$A0011   *RESET TIME LATCH
           MOVE.B      $41303,D4     *LOAD MIN FROM RAM
           MOVE.B      D4,$A0013     *SEND MIN TO PORT
           MOVE.B      #$0E,$A0011   *SET UP FOR LOW BYTE
           MOVE.B      #$2E,$A0011   *SET TIME LATCH
           MOVE.B      #$2C,$A0011   *RESET WRITE BIT
           MOVE.B      #$0C,$A0011   *RESET TIME LATCH
           MOVE.B      #$00,$A0013

           RTS

RUNSEL     MOVE.B      $41000,D3      *RECALL MULTIPLIER
           MOVE.B      #$FF,D2       *I/O CTRL CODE
           AND.B       D2,D3
           MOVE.B      D3,$A0005     *SEND TO PORT ADDR
           MOVE.B      #$05,$A0011   *RESET SW. BOARDS
           MOVE.B      #$07,$A0011   *PLACE BDS.INTO RCD GP MODE
           move.b      $41000,d3     *recall mult.
           move.b      #$FF,d2       *I/O CTRL CODE
           AND.B       D2,D3
           MOVE.B      D3,$A0007     *SEND TO PORT ADDR
BSCWT4    MOVE.B      $1A0013,D3
           AND.B       #$01,D3       *WAIT FOR BKUP. UNT. RDY
           BEQ        BSCWT4
           MOVE.B      #$02,$1A0013
bkwt4     move.b      $1a0013,d4
           and.b      #$01,d4
           bne        bkwt4
           NOP
           MOVE.B      #$00,$1A0013  *RESET PRIM RDY BIT

sync4     MOVE.B      #$40,$A0013    *SET RUN # SELECT BIT
           MOVE.B      #$06,$A0011  *SET WRITE BIT
           nop
           MOVE.B      #$04,$A0011  *READ MODE

           move.b     $a0013,d4
           cmp.b     #$40,d4
           bne     sync4

```

BSCWT44	MOVE.B	\$1A0013,D3	
	AND.B	#\$01,D3	*WAIT FOR BKUP. UNT. RDY
	BEQ	BSCWT44	
	MOVE.B	#\$02,\$1A0013	
bkwt44	move.b	\$1a0013,d4	
	and.b	#\$01,d4	
	bne	bkwt44	
	NOP		
	MOVE.B	#\$00,\$1A0013	*RESET PRIM RDY BIT
	MOVE.B	\$41000,D3	
	MOVE.B	#\$00,D2	
	AND.B	D2,D3	
	MOVE.B	D3,\$A0007	
RSELWT	MOVE.B	\$A0013,D1	
	AND.B	#\$40,D1	
	BNE	RSELWT	
RSEL2	MOVE.B	#\$05,\$A0011	*RESET DAVES BDS
	move.b	\$41000,d3	*recall mult.
	move.b	#\$FF,d2	*I/O CTRL CODE
	AND.B	D2,D3	
	MOVE.B	D3,\$A0007	*SEND TO PORT ADDR
sync5	MOVE.B	#\$20,\$A0013	*SET RUN # SET BIT
	MOVE.B	#\$06,\$A0011	*SET WRITE BIT
	nop		
	MOVE.B	#\$04,\$A0011	*READ MODE
	move.b	\$a0013,d4	
	cmp.b	#\$20,d4	
	bne	sync5	
BSCWT45	MOVE.B	\$1A0013,D3	
	AND.B	#\$01,D3	*WAIT FOR BKUP. UNT. RDY
	BEQ	BSCWT45	
	MOVE.B	#\$02,\$1A0013	
bkwt45	move.b	\$1a0013,d4	
	and.b	#\$01,d4	
	bne	bkwt45	
	NOP		
	MOVE.B	#\$00,\$1A0013	*RESET PRIM RDY BIT
	MOVE.B	\$41000,D3	
	MOVE.B	#\$00,D2	
	AND.B	D2,D3	
	MOVE.B	D3,\$A0007	
RSETWT	MOVE.B	\$A0013,D1	
	AND.B	#\$20,D1	
	BNE	RSETWT	
	MOVE.B	#\$05,\$A0011	*RESET DAVES BDS
	move.b	\$41000,d3	*recall mult.
	move.b	#\$FF,d2	*I/O CTRL CODE
	AND.B	D2,D3	
	MOVE.B	D3,\$A0007	*SEND TO PORT ADDR
sync6	MOVE.B	#\$88,\$A0013	*SET REC AND REW BITS
	MOVE.B	#\$06,\$A0011	*SET WRITE BIT
	nop		
	MOVE.B	#\$04,\$A0011	*READ MODE
*	move.b	\$41000,d3	*recall mult.
*	move.b	#\$00,d2	*I/O CTRL CODE
*	AND.B	D2,D3	
*	MOVE.B	D3,\$A0007	*SEND TO PORT ADDR
	move.b	\$a0013,d4	

```

      cmp.b      #$88,d4
      bne
BSCWT46  MOVE.B    $1A0013,D3
      AND.B     #$01,D3      *WAIT FOR BKUP. UNT. RDY
      BEQ      BSCWT46
      MOVE.B    #$02,$1A0013
bkwt46  move.b     $1a0013,d4
      and.b     #$01,d4
      bne      bkwt46
      NOP
      MOVE.B    #$00,$1A0013  *RESET PRIM RDY BIT
      move.b    $41000,d3     *recall mult.
      move.b    #$00,d2      *I/O CTRL CODE
      AND.B     D2,D3
      MOVE.B    D3,$A0007     *SEND TO PORT ADDR
RECWT   MOVE.B    $A0013,D1
      AND.B     #$80,D1
      BNE      REWWT
      bsr      waitsub
      MOVE.B    #$05,$A0011   *RESET DAVES BOARDS
      NOP
      MOVE.B    #$04,$A0011   *REMOVE RESET
      BRA      RCD
REWWT   MOVE.B    $A0013,D1   *LOAD SW.COND.
      AND.B     #$08,D1
      BNE      RECWT
      MOVE.B    #$05,$A0011   *RESET DAVES BOARDS
      NOP
      MOVE.B    #$04,$A0011   *REMOVE RESET
      BSR      DMA
      BSR      FILEM
*delay to allow REWIND after write fmk
      move.b    #$00,$a0021   *setup timer ctrl reg.
      move.b    #$aa,$a002b   *low byte of wait count
      move.b    #$aa,$a0029   *mid byte of wait count
      move.b    #$10,$a0027   *high byte of count reg
      move.b    #$01,$a0021   *start counter
swdly4  move.b    $a0035,d5    *check for zero detect
      and.b     #$01,d5
      beq      swdly4        *proceed after 4 seconds
      BRA      RWD

RCD     MOVE.B    $1A0013,D3
      AND.B     #$01,D3      *WAIT FOR BKUP UNT. RDY
      BEQ      RCD
      MOVE.B    #$02,$1A0013 *SET UNIT RDY BIT
BKWT48  MOVE.B    $1A0013,D4
      AND.B     #$01,D4
      BNE      BKWT48
      nop
      move.b    #$00,$1a0013  *reset prim rdy bit
      MOVE.B    #$05,$A0011   *RESET DAVES BDS

*set phase to match (data out)

*SEE PRINTOUTS
      BSR      B3            *send write
BSCWT5  MOVE.B    $1A0013,D3
      AND.B     #$01,D3      *WAIT FOR BKUP. UNT. RDY
      BEQ      BSCWT5
      MOVE.B    #$02,$1A0013

```

bkwt5	move.b	\$1a0013,d4	
	and.b	#\$01,d4	
	bne	bkwt5	
	NOP		
	MOVE.B	#\$05,\$A0011	*RESET DAVES BOARDS
	move.b	\$41000,d3	*recall mult.
	move.b	#\$FF,d2	*I/O CTRL CODE
	AND.B	D2,D3	
	MOVE.B	D3,\$A0007	*SEND TO PORT ADDR
	move.b	#\$ff,\$a0005	*add for resistor removal
	MOVE.B	#\$48,\$A0013	*SET REW & RUN SEL. BITS
	MOVE.B	#\$06,\$A0011	*SET WRITE & GP SEL
	nop		
	MOVE.B	#\$04,\$A0011	*READ
	nop		
	move.b	\$41000,d3	*recall mult.
	move.b	#\$00,d2	*I/O CTRL CODE
	AND.B	D2,D3	
	MOVE.B	D3,\$A0007	*SEND TO PORT ADDR
	nop		
SELWT2	MOVE.B	\$A0013,D1	
	AND.B	#\$40,D1	*MASK RUN SEL BITS
	BNE	REWWT2	
	BRA	RSEL2	*BRANCH TO RUN# SEL
REWWT2	MOVE.B	\$A0013,D1	
	AND.B	#\$08,D1	*MASK REWIND BIT
	BNE	SELWT2	
	MOVE.B	#\$05,\$A0011	*RESET DAVES BOARDS
	BSR	DMA	
	BSR	FILEM	
*delay to	allow REWIND after write	fmk	
	move.b	#\$00,\$a0021	*setup timer ctrl reg.
	move.b	#\$aa,\$a002b	*low byte of wait count
	move.b	#\$aa,\$a0029	*mid byte of wait count
	move.b	#\$10,\$a0027	*high byte of count reg
	move.b	#\$01,\$a0021	*start counter
swdly5	move.b	\$a0035,d5	*check for zero detect
	and.b	#\$01,d5	
	beq	swdly5	*proceed after 4 seconds
	BSR	RWD	
BSCWT6	MOVE.B	\$1A0013,D3	
	AND.B	#\$01,D3	*WAIT FOR BKUP. UNT. RDY
	BEQ	BSCWT6	
	MOVE.B	#\$02,\$1A0013	
bkwt6	move.b	\$1a0013,d4	
	and.b	#\$01,d4	
	bne	bkwt6	
	NOP		
	MOVE.B	#\$00,\$1A0013	*RESET PRIM RDY BIT
	nop		
*START OF	REWIND SUBROUTINE		
RWD	BSR	COMM	*GO THROUGH SELECTION
	BSR	REWIND	
	bsr	waitsub	
UNLD	move.b	\$41000,d3	*recall mult. .
	move.b	#\$FF,d2	*I/O CTRL CODE
	AND.B	D2,D3	

```

MOVE.B      D3,$A0005      *SEND TO PORT ADDR
RELOAD     MOVE.B      #$88,$A0011  *SET UNLOAD LED
           move.b      $41000,d3    *recall mult.
           move.b      #$FF,d2     *I/O CTRL CODE
           AND.B       D2,D3
           MOVE.B      D3,$A0007    *SEND TO PORT ADDR

           MOVE.B      #$00,$A0013
           MOVE.B      #$8a,$A0011  *SET WRITE BIT
           move.b      #$88,$A0011  *set read mode
           move.b      $41000,d3    *recall mult.
           move.b      #$1F,d2     *I/O CTRL CODE
           AND.B       D2,D3
           MOVE.B      D3,$A0005    *SEND TO PORT ADDR
           MOVE.B      $A0011,D4
           AND.B       #$80,D4
           BEQ         RELOAD
           NOP
           BSR        WAITSUB

UNLDWT     MOVE.B      $A0011,D1

           AND.B       #$80,D1
           BEQ         GO
           BRA         UNLDWT
GO          BSR        COMM
           BSR        UNLOAD
BSCWT8     MOVE.B      $1A0013,D3
           AND.B       #$01,D3      *WAIT FOR BKUP. UNT. RDY
           BEQ         BSCWT8
           MOVE.B      #$02,$1A0013
bkwt8      move.b      $1a0013,d4
           and.b       #$01,d4
           bne        bkwt8
           NOP
           MOVE.B      #$00,$1A0013  *RESET PRIM RDY BIT
           MOVE.B      #$0A,$1A0007
           MOVE.B      #$00,$1A0013  *SET COMPLETED LOOP BIT
           NOP
*delay to  allow RESETTING TAPES FOR NEXT TIME
           move.b      #$00,$a0021  *setup timer ctrl reg.
           move.b      #$aa,$a002b  *low byte of wait count
           move.b      #$aa,$a0029  *mid byte of wait count
           move.b      #$10,$a0027  *high byte of count reg
           move.b      #$01,$a0021  *start counter
swdly50    move.b      $a0035,d5     *check for zero detect
           and.b       #$01,d5
           beq        swdly50      *proceed after 4 seconds
           NOP

           BRA        BEGIN

*Subroutine to write two long filemarks
B1         nop
*b1        bsr        COMM          *go through selection
*          bsr        FILEM        *write two long filemarks
BSCWT9     MOVE.B      $1A0013,D3
           AND.B       #$01,D3      *WAIT FOR BKUP. UNT. RDY
           BEQ         BSCWT9

```

```

bkwt9    MOVE.B    #$02,$1A0013
         move.b    $1a0013,d4
         and.b     #$01,d4
         bne      bkwt9
         NOP
         MOVE.B    #$00,$1A0013    *RESET PRIM RDY BIT
         rts

```

\*end subroutine format

\*PROCEDURE FOR INPUT OF SAMP. RATE, OUTPUT TIME REM. (only for blank \*tape)

```

SMPRT    MOVE.B    $41000,D3        *RECALL MULT.
         MOVE.B    #$00,D2        *I/O CTRL CODE
         AND.B     D2,D3
         MOVE.B    D3,$A0007      *SEND TO PORT ADDR
         MOVE.B    $41000,D3      *RECALL MULTIPLIER
         MOVE.B    #$3F,D2        *I/O CTRL CODE
         AND.B     D2,D3
         MOVE.B    D3,$A0005      *SEND TO PORT ADDR
         MOVE.B    #$0D,$A0011    *RESET DAVES BDS
         nop
         NOP
         MOVE.B    #$1C,$A0011    *REMOVE RESET
         MOVE.B    #$1C,$A0011    *SELECT SAMPLE GROUP HI BYTE
         MOVE.B    $A0013,D5
RATE1    CMPI.B    #$00,D5        *CHECK FOR 781 SAMPLE RATE
         BGT      RATE2
         MOVE.B    #$2C,$41307    *ITERATIONS PER MIN CHANGE
         MOVE.B    #$02,$41301    *BLANK TAPE HOURS REMAINING
         MOVE.B    #$55,$41303    *BLANK TAPE MIN REMAINING
         BSR      SRDSPLY
         RTS
RATE2    MOVE.B    $A0013,D5
         CMPI.B    #$01,D5        *CHECK FOR 1562 SAMPLE RATE
         BGT      RATE3
         MOVE.B    #$2C,$41307    *ITERATIONS PER MIN CHANGE
         MOVE.B    #$02,$41301    *BLANK TAPE HOURS REMAINING
         MOVE.B    #$55,$41303    *BLANK TAPE MIN REMAINING
         BSR      SRDSPLY
         RTS
RATE3    MOVE.B    $A0013,D5
         CMPI.B    #$02,D5        *CHECK FOR 2344 SAMPLE RATE
         BGT      RATE4
         MOVE.B    #$2C,$41307    *ITERATIONS PER MIN CHANGE
         MOVE.B    #$02,$41301    *BLANK TAPE HOURS REMAINING
         MOVE.B    #$55,$41303    *BLANK TAPE MIN REMAINING
         BSR      SRDSPLY
         RTS
RATE4    MOVE.B    $A0013,D5
         CMPI.B    #$03,D5        *CHECK FOR 3125 SAMPLE RATE
         BGT      RATE5
         MOVE.B    #$2C,$41307    *ITERATIONS PER MIN CHANGE
         MOVE.B    #$02,$41301    *BLANK TAPE HOURS REMAINING
         MOVE.B    #$55,$41303    *BLANK TAPE MIN REMAINING
         BSR      SRDSPLY
         RTS
RATE5    MOVE.B    $A0013,D5
         CMPI.B    #$03,D5        *CHECK FOR 3906 SAMPLE RATE
         BGT      RATE6
         MOVE.B    #$2C,$41307    *ITERATIONS PER MIN CHANGE
         MOVE.B    #$02,$41301    *BLANK TAPE HOURS REMAINING

```



	MOVE.B	#\$55,\$41303	*BLANK TAPE MIN REMAINING
	BSR	SRDSPLY	
	RTS		
RATE6	MOVE.B	\$A0013,D5	
	CMPI.B	#\$04,D5	*CHECK FOR 4888 SAMPLE RATE
	BGT	RATE7	
	MOVE.B	#\$2C,\$41307	*ITERATIONS PER MIN CHANGE
	MOVE.B	#\$02,\$41301	*BLANK TAPE HOURS REMAINING
	MOVE.B	#\$55,\$41303	*BLANK TAPE MIN REMAINING
	nop		
	nop		
*	MOVE.B	\$41000,D3	*RECALL MULTIPLIER
*	MOVE.B	#\$FF,D2	*I/O CTRL CODE
*	AND.B	D2,D3	
*	MOVE.B	D3,\$A0005	*SEND TO PORT ADDR
*	MOVE.B	#\$05,\$A0011	*RESET SW. BOARDS
	BSR	SRDSPLY	
	nop		
	nop		
	RTS		
RATE7	MOVE.B	\$A0013,D5	
	CMPI.B	#\$05,D5	*CHECK FOR 5469 SAMPLE RATE
	BGT	RATE8	
	MOVE.B	#\$2C,\$41307	*ITERATIONS PER MIN CHANGE
	MOVE.B	#\$02,\$41301	*BLANK TAPE HOURS REMAINING
	MOVE.B	#\$55,\$41303	*BLANK TAPE MIN REMAINING
	BSR	SRDSPLY	
	RTS		
RATE8	MOVE.B	\$A0013,D5	
	CMPI.B	#\$06,D5	*CHECK FOR 6250 SAMPLE RATE
	BGT	RATE3	
	MOVE.B	#\$3C,\$41307	*ITERATIONS PER MIN CHANGE
	MOVE.B	#\$02,\$41301	*BLANK TAPE HOURS REMAINING
	MOVE.B	#\$16,\$41303	*BLANK TAPE MIN REMAINING
	BSR	SRDSPLY	
	RTS		
*END PROCED FOR INPUT OF SAMPLE RATE DETERMINE TIME REM			
DECTIME	MOVE.B	\$41303,D7	*RESTORE LOW BYTE (MIN)
	MOVE.B	#\$01,D5	
	SBCD.B	D5,D7	*BCD SUB OF MIN COUNT
	BLT	minrst	
	MOVE.B	D7,\$41303	
	BSR	SRDSPLY	*DISPLAY TIME
RETMIN	NOP		
	RTS		
MINRST	MOVE.B	\$41301,D6	*SET UNIT RDY BIT
	SUBI.B	#\$01,D6	*DEC HR COUNT
	MOVE.B	#\$59,\$41303	*RESET MIN TO 59
	MOVE.B	D6,\$41301	
	BSR	SRDSPLY	
	BRA	RETMIN	
*SEND WRITE			
B3	MOVE.B	\$1a0013,d4	*SET UNIT RDY BIT
	AND.B	#\$01,D4	*WAIT FOR BKUP. UNT. RDY
	BEQ	B3	
	MOVE.B	#\$02,\$1A0013	*RESET UNIT RDY BIT
bkwt50	move.b	\$1a0013,d4	

```

and.b    #$01,d4
bne      bkwt50
nop
move.b   #$00,$1a0013    *reset rdy bit
*start time decrementation
move.b   #$00,$1a0021    *setup timer ctrl reg
move.b   $41405,$1a002b *low byte of count
move.b   $41403,$1a0029 *mid byte
move.b   $41401,$1a0027 *high byte
move.b   #$01,$1a0021
*write fmk
bsr      dma
nop
nop
move.b   #$10,d3         *load D3 with byte 0
bsr      HNDSHK          *send byte 0
move.b   #$00,d3         *load D3 with byte 1
bsr      HNDSHK          *send byte 1
move.b   #$00,d3         *load D3 with byte 2
bsr      HNDSHK          *send byte 2
move.b   #$00,d3         *load D3 with byte 3
bsr      HNDSHK          *send byte 3
move.b   #$01,d3         *load D3 with byte 4
bsr      HNDSHK          *send byte 4
move.b   #$00,d3         *load D3 with byte 5
bsr      HNDSHK          *send byte 5
bsr      STATUS          *check status and message in
nop
nop

*delay to allow write after write fmk
move.b   #$00,$a0021    *setup timer ctrl reg.
move.b   #$aa,$a002b    *low byte of wait count
move.b   #$aa,$a0029    *mid byte of wait count
move.b   #$10,$a0027    *high byte of count reg
move.b   #$01,$a0021    *start counter
swdly3   move.b   $a0035,d5 *check for zero detect
and.b    #$01,d5
beq      swdly3         *proceed after 4 seconds

*add wait
BSCWT80  MOVE.B    $1A0013,D3
AND.B    #$01,D3        *WAIT FOR BKUP. UNT. RDY
BEQ      BSCWT80
MOVE.B   #$02,$1A0013
bkwt80   move.b   $1a0013,d4
and.b    #$01,d4
bne      bkwt80
NOP
MOVE.B   #$00,$1A0013    *RESET PRIM RDY BIT

*turn on stop switch led
move.b   $41000,d3      *recall mult.
move.b   #$FF,d2        *I/O CTRL CODE
AND.B    D2,D3
MOVE.B   D3,$A0005      *SEND TO PORT ADDR
MOVE.B   #$44,$A0011    *SET STOP AND GP SEL 2
move.b   #$ff,$a0007    *make port2b outputs
move.b   #$00,$a0013    *outputs all zero
MOVE.B   #$46,$A0011    *SET WRITE BIT
nop
MOVE.B   #$44,$A0011    *ENABLE READING OF STOPSW.
nop
move.b   #$00,$a0007

```

	move.b	\$41000,d3	*recall mult.
	move.b	#\$1F,d2	*I/O CTRL CODE
	AND.B	D2,D3	
	MOVE.B	D3,\$A0005	*SEND TO PORT ADDR
*send write command			
B3ABORT	BSR	DMA	
	bsr	WRITE	*start DMA write
	RTS		
*RECORDED TAPE ROUTINE STARTS HERE			
RECGP	BSR	COMM	
	BSR	MODESEL	
	NOP		
RECGPB	MOVE.B	\$1A0013,D3	
	AND.B	#\$01,D3	*WAIT FOR BKUP. UNT. RDY
	BEQ	RECGPB	
	MOVE.B	#\$02,\$1A0013	*SET PRIM RDY BIT
ABKWT1	MOVE.B	\$1A0013,D4	
	AND.B	#\$01,D4	
	BNE	ABKWT1	
	MOVE.B	#\$00,\$1A0013	*RESET PRIM RDY BIT
	move.b	\$41000,d3	*recall mult.
	move.b	#\$FF,d2	*I/O CTRL CODE
	AND.B	D2,D3	
	MOVE.B	D3,\$A0005	*SEND TO PORT ADDR
	move.b	\$41000,d3	*recall mult.
	move.b	#\$FF,d2	*I/O CTRL CODE
	AND.B	D2,D3	
	MOVE.B	D3,\$A0007	*SEND TO PORT ADDR
	move.b	#\$08,\$A0011	*set play gp bit
sync20	move.b	#\$c8,\$A0013	*set play,fwdsp,REW
	NOP		
	move.b	#\$0a,\$A0011	*set write bit
	NOP		
	MOVE.B	#\$08,\$A0011	*GO INTO READ MODE
	NOP		
	NOP		
	move.b	\$a0013,d4	
	cmp.b	#\$c8,d4	
	bne	sync20	
BSCWT60	MOVE.B	\$1A0013,D3	
	AND.B	#\$01,D3	*WAIT FOR BKUP. UNT. RDY
	BEQ	BSCWT60	
	MOVE.B	#\$02,\$1A0013	
bkwt60	move.b	\$1a0013,d4	
	and.b	#\$01,d4	
	bne	bkwt60	
	NOP		
	MOVE.B	#\$00,\$1A0013	*RESET PRIM RDY BIT
*	move.b	\$41000,d3	*recall mult.
*	move.b	#\$1F,d2	*I/O CTRL CODE
*	AND.B	D2,D3	
*	MOVE.B	D3,\$A0005	*SEND TO PORT ADDR
	move.b	\$41000,d3	*recall mult.
	move.b	#\$00,d2	*I/O CTRL CODE

	AND.B	D2,D3	
	MOVE.B	D3,\$A0007	*SEND TO PORT ADDR
	NOP		
	NOP		
PLAYWT	move.b	\$A0013,d1	
	and.b	#\$80,d1	*mask for play
	bne	FWDSPWT	
	move.b	#\$09,\$A0011	*reset daves boards
	move.b	\$41000,d3	*recall mult.
	move.b	#\$FF,d2	*I/O CTRL CODE
	AND.B	D2,D3	
	MOVE.B	D3,\$A0005	*SEND TO PORT ADDR
	move.b	\$41000,d3	*recall mult.
	move.b	#\$FF,d2	*I/O CTRL CODE
	AND.B	D2,D3	
	MOVE.B	D3,\$A0007	*SEND TO PORT ADDR
	MOVE.B	#\$00,\$A0013	
sync21	move.b	#\$48,\$A0011	*set stop & play gp
B2	move.b	#\$0e,\$1A0011	*enable data tape led/read
	move.b	#\$4a,\$A0011	*set write bit
	NOP		
	MOVE.B	#\$48,\$A0011	*READ MODE
	move.b	\$a0011,d4	
	and.b	#\$48,d4	
	beq	sync21	
	BSR	WAITSUB	
	move.b	\$41000,d3	*recall mult.
	move.b	#\$1F,d2	*I/O CTRL CODE
	AND.B	D2,D3	
	MOVE.B	D3,\$A0005	*SEND TO PORT ADDR
	BSR	DMA	
	BSR	READ	
BSCWT10	MOVE.B	\$1A0013,D3	
	AND.B	#\$01,D3	*WAIT FOR BKUP. UNT. RDY
	BEQ	BSCWT10	
	MOVE.B	#\$02,\$1A0013	
bkwt10	move.b	\$1a0013,d4	
	and.b	#\$01,d4	
	bne	bkwt10	
	NOP		
	MOVE.B	#\$00,\$1A0013	*RESET PRIM RDY BIT
	BRA	FRRSREW	*branch to continuation proc.
*	BRA	RECGP	*FOR TEST
FWDSPWT	move.b	\$A0013,d1	
	and.b	#\$40,d1	*mask for fwd space
	bne	RWDWT	
	move.b	#\$09,\$A0011	*reset daves boards
	bsr	dma	
	bsr	FSPACE	
BSCWT11	MOVE.B	\$1A0013,D3	
	AND.B	#\$01,D3	*WAIT FOR BKUP. UNT. RDY
	BEQ	BSCWT11	
	MOVE.B	#\$02,\$1A0013	
bkwt11	move.b	\$1a0013,d4	
	and.b	#\$01,d4	
	bne	bkwt11	
	NOP		

	MOVE.B	#\$00,\$1A0013	*RESET PRIM RDY BIT
	bra	PFSRSREW	*branch to continuation prog.
*UNLDWT2	move.b	\$A0011,d1	
*	and.b	#\$80,d1	*mask for unld
*	bne	PLAYWT	
*	move.b	#\$09,\$A0011	*reset daves boards
*	nop		
*	move.b	#\$08,\$A0011	*remove reset
*	BSR	COMM	
*	BSR	UNLOAD	
BSCWT12	MOVE.B	\$1A0013,D3	
	AND.B	#\$01,D3	*WAIT FOR BKUP. UNT. RDY
	BEQ	BSCWT12	
bkwt12	MOVE.B	#\$02,\$1A0013	
	move.b	\$1a0013,d4	
	and.b	#\$01,d4	
	bne	bkwt12	
	NOP		
	MOVE.B	#\$00,\$1A0013	*RESET PRIM RDY BIT
	move.b	#\$09,\$A0011	*reset daves bds
	nop		
	move.b	#\$08,\$A0011	*remove daves reset
PLAYWT2	bra	NXTCONT	
	MOVE.B	\$A0013,D1	
	AND.B	#\$80,D1	
	BNE	FDSPWT3	
	MOVE.B	#\$09,\$A0011	
	move.b	\$41000,d3	*recall mult.
	move.b	#\$FF,d2	*I/O CTRL CODE
	AND.B	D2,D3	
	MOVE.B	D3,\$A0005	*SEND TO PORT ADDR
	move.b	#\$48,\$A0011	*set stop & play gp
	move.b	#\$0e,\$1A0011	*enable data tape led/read
	move.b	#\$4a,\$A0011	*set write bit.
syncb21	move.b	#\$48,\$A0011	*go into read mode
	move.b	\$41000,d3	*recall mult.
	move.b	#\$1F,d2	*I/O CTRL CODE
	AND.B	D2,D3	
	MOVE.B	D3,\$A0005	*SEND TO PORT ADDR
	move.b	\$a0011,d4	
	and.b	#\$48,d4	
	beq	syncb21	
	BSR	WAITSUB	
	move.b	\$41000,d3	*recall mult.
	move.b	#\$1F,d2	*I/O CTRL CODE
	AND.B	D2,D3	
	MOVE.B	D3,\$A0005	*SEND TO PORT ADDR
	BSR	DMA	
	BSR	READ	
BSCWT32	MOVE.B	\$1A0013,D3	
	AND.B	#\$01,D3	*WAIT FOR BKUP. UNT. RDY
	BEQ	BSCWT32	
bkwt32	MOVE.B	#\$02,\$1A0013	
	move.b	\$1a0013,d4	
	and.b	#\$01,d4	
	bne	bkwt32	
	NOP		

	MOVE.B	#\$00,\$1A0013	*RESET PRIM RDY BIT
	BRA	FSRSREW	
RWDWT	MOVE.B	\$A0013,D1	
	AND.B	#\$08,D1	*MASK FOR REWIND
	BNE	PLAYWT	
	MOVE.B	#\$09,\$A0011	*RESET DAVES BOARDS
	BRA	RWD	
RWDWT2	MOVE.B	\$A0013,D1	
	AND.B	#\$08,D1	*MASK FOR REWIND
	BNE	REVSPWT	
	MOVE.B	#\$09,\$A0011	*RESET DAVES BOARDS
	BRA	RWD	
FDSPWT3	move.b	\$A0013,d1	
	and.b	#\$40,d1	*mask for fwd space
	bne	RWDWT2	
	move.b	#\$09,\$A0011	*reset daves boards
RT24	bsr	comm	
	*start SCSI command	00h (TEST UNIT READY)	
	*subroutine to send	test unit ready (00h) command	
	move.b	#\$00,d3	*load D3 with byte 0
	bsr	HNDSHK	*send byte 0
	move.b	#\$00,d3	*load D3 with byte 1
	bsr	HNDSHK	*send byte 1
	move.b	#\$00,d3	*load D3 with byte 2
	bsr	HNDSHK	*send byte 2
	move.b	#\$00,d3	*load D3 with byte 3
	bsr	HNDSHK	*send byte 3
	move.b	#\$00,d3	*load D3 with byte 4
	bsr	HNDSHK	*send byte 4
	move.b	#\$00,d3	*load D3 with byte 5
	bsr	HNDSHK	*send byte 5
	nop		
	move.b	#\$7e,d2	*load d2 w/reg.3
	move.b	#\$03,d3	*ld d3 w status 0
	bsr	WREG	
	bsr	HNDREAD	
	and.b	#\$FF,d4	*check for good status
	BEQ	SPL2	
	move.b	#\$fe,d2	
	move.b	#\$0f,d3	
	BSR	WREG	
	BSR	HNDREAD	*hndshk msg.in
	BRA	RT24	
SPL2	MOVE.B	#\$FE,D2	
	MOVE.B	#\$0F,D3	
	BSR	WREG	
	BSR	HNDREAD	
BSCWT24	MOVE.B	\$1A0013,D3	
	AND.B	#\$01,D3	*WAIT FOR BKUP. UNT. RDY
	BEQ	BSCWT24	
	MOVE.B	#\$02,\$1A0013	
bkwt24	move.b	\$1a0013,d4	
	and.b	#\$01,d4	
	bne	bkwt24	
	NOP		
	MOVE.B	#\$00,\$1A0013	*RESET PRIM RDY BIT

	bsr	dma	
	bsr	FSPACE	
BSCWT25	MOVE.B	\$1A0013,D3	
	AND.B	#\$01,D3	*WAIT FOR BKUP. UNT. RDY
	BEQ	BSCWT25	
bkwt25	MOVE.B	#\$02,\$1A0013	
	move.b	\$1a0013,d4	
	and.b	#\$01,d4	
	bne	bkwt25	
	NOP		
	MOVE.B	#\$00,\$1A0013	*RESET PRIM RDY BIT
	bra	PFSRSREW	*branch to continuation prog.
REVSPWT	MOVE.B	\$A0013,D1	
	AND.B	#\$20,D1	
	BNE	PLAYWT2	
	MOVE.B	#\$09,\$A0011	
	BSR	dma	
	BSR	RSPACE	
BSCWT13	MOVE.B	\$1A0013,D3	
	AND.B	#\$01,D3	*WAIT FOR BKUP. UNT. RDY
	BEQ	BSCWT13	
	MOVE.B	#\$02,\$1A0013	
bkwt13	move.b	\$1a0013,d4	
	and.b	#\$01,d4	
	bne	bkwt13	
	NOP		
	MOVE.B	#\$00,\$1A0013	*RESET PRIM RDY BIT
	BSR	dma	
	BSR	FSPACE	
BSCWT27	MOVE.B	\$1A0013,D3	
	AND.B	#\$01,D3	*WAIT FOR BKUP. UNT. RDY
	BEQ	BSCWT27	
	MOVE.B	#\$02,\$1A0013	
bkwt27	move.b	\$1a0013,d4	
	and.b	#\$01,d4	
	bne	bkwt27	
	NOP		
	MOVE.B	#\$00,\$1A0013	*RESET PRIM RDY BIT
	BRA	PFSRSREW	
PFSRSREW	move.b	\$41000,d3	*recall mult.
	move.b	#\$FF,d2	*I/O CTRL CODE
	AND.B	D2,D3	
	MOVE.B	D3,\$A0007	*SEND TO PORT ADDR
	move.b	\$41000,d3	*recall mult.
	move.b	#\$FF,d2	*I/O CTRL CODE
	AND.B	D2,D3	
	MOVE.B	D3,\$A0005	*SEND TO PORT ADDR
	MOVE.B	#\$08,\$A0011	*SET PLAY GP BIT
	MOVE.B	#\$E8,\$A0013	*SET PLAY,FWD SP,REV SP,REW BITS
	MOVE.B	#\$0A,\$A0011	*WRITE SET WRITE BIT
	nop		
	move.b	#\$08,\$A0011	*enable reading of sw.s
ASYNC2	MOVE.B	\$A0013,D4	
	AND.B	#\$E8,D4	
	BEQ	ASYNC2	
	move.b	\$41000,d3	*recall mult.
	move.b	#\$00,d2	*I/O CTRL CODE
	AND.B	D2,D3	

	47		48
	MOVE.B	D3,\$A0007	*SEND TO PORT ADDR
	BRA	RWDWT2	
FSRSREW	MOVE.B	\$41000,D3	*RECALL MULT.
	MOVE.B	#\$FF,D2	
	AND.B	D2,D3	
	MOVE.B	D3,\$A0007	*SEND TO PORT ADDR
	MOVE.B	\$41000,D3	*RECALL MULT.
	MOVE.B	#\$FF,D2	
	AND.B	D2,D3	
	MOVE.B	D3,\$A0005	*SEND TO PORT ADDR
	MOVE.B	#\$08,\$A0011	*SET PLAY GP BIT
	MOVE.B	#\$68,\$A0013	*SET FWD SP,REV SP,REW BITS
	MOVE.B	#\$0A,\$A0011	*WRITE SET WRITE BIT
	nop		
	move.b	#\$08,\$A0011	*enable reading of sw.s
	move.b	\$41000,d3	*recall mult.
	move.b	#\$00,d2	*I/O CTRL CODE
	AND.B	D2,D3	
ASYN3	MOVE.B	D3,\$A0007	*SEND TO PORT ADDR
	MOVE.B	\$A0013,D4	
	AND.B	#\$68,D4	
	BEQ	ASYN3	
	BRA	FDSPWT2	
FDSPWT2	move.b	\$A0013,d1	
	and.b	#\$40,d1	*mask for fwd space
	bne	RWDWT3	
	move.b	#\$09,\$A0011	*reset daves boards
RT14	bsr	comm	
	*start SCSI command	00h (TEST UNIT READY)	
	*subroutine to send	test unit ready (00h) command	
	move.b	#\$00,d3	*load D3 with byte 0
	bsr	HNDSHK	*send byte 0
	move.b	#\$00,d3	*load D3 with byte 1
	bsr	HNDSHK	*send byte 1
	move.b	#\$00,d3	*load D3 with byte 2
	bsr	HNDSHK	*send byte 2
	move.b	#\$00,d3	*load D3 with byte 3
	bsr	HNDSHK	*send byte 3
	move.b	#\$00,d3	*load D3 with byte 4
	bsr	HNDSHK	*send byte 4
	move.b	#\$00,d3	*load D3 with byte 5
	bsr	HNDSHK	*send byte 5
	nop		
	move.b	#\$7e,d2	*load d2 w/reg.3
	move.b	#\$03,d3	*ld d3 w status 0
	bsr	WREG	
	bsr	HNDREAD	
	and.b	#\$FF,d4	*check for good status
	BEQ	SPL	
	move.b	#\$fe,d2	
	move.b	#\$0f,d3	
	BSR	WREG	
	BSR	HNDREAD	*hndshk msg.in
	BRA	RT14	
SPL	MOVE.B	#\$FE,D2	
	MOVE.B	#\$0F,D3	
	BSR	WREG	
	BSR	HNDREAD	



BSCWT14	MOVE.B	\$1A0013,D3	
	AND.B	#\$01,D3	*WAIT FOR BKUP. UNT. RDY
	BEQ	BSCWT14	
	MOVE.B	#\$02,\$1A0013	
bkwt14	move.b	\$1a0013,d4	
	and.b	#\$01,d4	
	bne	bkwt14	
	NOP		
	MOVE.B	#\$00,\$1A0013	*RESET PRIM RDY BIT
*ADDED TO	GIVE FSPACE	CMD SETTling	TIME
FSWT	MOVE.B	\$41000,D3	*RECALL MULT.
	MOVE.B	#\$FF,D2	
	AND.B	D2,D3	
	MOVE.B	D3,\$A0007	*SEND TO PORT ADDR
	MOVE.B	#\$08,\$A0011	*SET PLAY GP BIT
	MOVE.B	#\$40,\$A0013	*SET FWD SP BIT
	MOVE.B	#\$0A,\$A0011	*WRITE SET WRITE BIT
	nop		
	move.b	#\$08,\$A0011	*enable reading of sw.s
	move.b	\$41000,d3	*recall mult.
	move.b	#\$00,d2	*I/O CTRL CODE
	AND.B	D2,D3	
	MOVE.B	D3,\$A0007	*SEND TO PORT ADDR
*SYNCFS	MOVE.B	\$A0013,D4	
*	AND.B	#\$40,D4	
*	BEQ	SYNCFS	
*	BRA	SPACEWT	
SPACEWT	move.b	\$A0013,d1	
	and.b	#\$40,d1	*mask for fwd space
	bne	SPACEWT	
	move.b	#\$09,\$A0011	*reset daves boards
	bsr	dma	
	bsr	FSPACE	
BSCWT15	MOVE.B	\$1A0013,D3	
	AND.B	#\$01,D3	*WAIT FOR BKUP. UNT. RDY
	BEQ	BSCWT15	
	MOVE.B	#\$02,\$1A0013	
bkwt15	move.b	\$1a0013,d4	
	and.b	#\$01,d4	
	bne	bkwt15	
	NOP		
	MOVE.B	#\$00,\$1A0013	*RESET PRIM RDY BIT
	bra	PFSRSREW	*branch to continuation prog.
RWDWT3	MOVE.B	\$A0013,D1	
	AND.B	#\$08,D1	*MASK FOR REWIND
	BNE	RVSPWT2	
	MOVE.B	#\$09,\$A0011	*RESET DAVES BOARDS
	BRA	RWD	
RVSPWT2	MOVE.B	\$A0013,D1	
	AND.B	#\$20,D1	
	BNE	FDSPWT2	
	MOVE.B	\$1A0013,D3	
	AND.B	#\$01,D3	*WAIT FOR BKUP. UNT. RDY
	BEQ	ABSCWT2	
	MOVE.B	#\$02,\$1A0013	
Abkwt4	move.b	\$1a0013,d4	
	and.b	#\$01,d4	
	bne	Abkwt4	

```

nop
move.b    #$00,$1a0013    *reset prim ready bit
MOVE.B    #$09,$A0011
BSR       RSPACE
NOP
BSR       WAITSUB
BRA       PFSRSREW
*end recorded tape group routine

*B4 (SPACE)
*Subroutine to space forward one filemark
B4        bsr          dma          *go through selection
          bsr.b       FSPACE       *space forward one filemark
BSCWT18   MOVE.B      $1A0013,D3
          AND.B       #$01,D3      *WAIT FOR BKUP. UNT. RDY
          BEQ        BSCWT18
          MOVE.B      #$02,$1A0013
bkwt18    move.b     $1a0013,d4
          and.b      #$01,d4
          bne       bkwt18
          NOP
          MOVE.B     #$00,$1A0013   *RESET PRIM RDY BIT
*         bra       GPRSP          *wait for another button
*end subroutine fwdspace

*subroutine to rewind the tape (01h)
REWIND    move.b     #$01,d3        *load D3 with byte 0
          bsr       HNDSHK        *send byte 0
          move.b    #$00,d3        *load D3 with byte 1
          bsr       HNDSHK        *send byte 1
          move.b    #$00,d3        *load D3 with byte 2
          bsr       HNDSHK        *send byte 2
          move.b    #$00,d3        *load D3 with byte 3
          bsr       HNDSHK        *send byte 3
          move.b    #$00,d3        *load D3 with byte 4
          bsr       HNDSHK        *send byte 4
          move.b    #$00,d3        *load D3 with byte 5
          bsr       HNDSHK        *send byte 5
          bsr       STATUS        *check status and message in
          rts                    *return to calling routine
*end rewind (01h) command
*subroutine to space (11h) forward
FSPACE    move.b     #$11,d3        *load D3 with byte 0
          bsr       HNDSHK        *send byte 0
          move.b    #$01,d3        *load D3 with byte 1
          bsr       HNDSHK        *send byte 1
          move.b    #$00,d3        *load D3 with byte 2
          bsr       HNDSHK        *send byte 2
          move.b    #$00,d3        *load D3 with byte 3
          bsr       HNDSHK        *send byte 3
          move.b    #$01,d3        *load D3 with byte 4
          bsr       HNDSHK        *send byte 4
          move.b    #$00,d3        *load D3 with byte 5
          bsr       HNDSHK        *send byte 5
          bsr       STATUS        *check status and message in
          rts                    *return to calling routine
*end space (11h) forward command
uncomm    bsr       comm
*end space (11h) backward command
*subroutine to unload the tape (1bh)

```

	53		54
UNLOAD	move.b	#\$1b,d3	*load D3 with byte 0
	bsr	HNDSHK	*send byte 0
	move.b	#\$00,d3	*load D3 with byte 1
	bsr	HNDSHK	*send byte 1
	move.b	#\$00,d3	*load D3 with byte 2
	bsr	HNDSHK	*send byte 2
	move.b	#\$00,d3	*load D3 with byte 3
	bsr	HNDSHK	*send byte 3
	move.b	#\$00,d3	*load D3 with byte 4
	bsr	HNDSHK	*send byte 4
	move.b	#\$00,d3	*load D3 with byte 5
	bsr	HNDSHK	*send byte 5
*	bsr	STATUS	*check status and message in
*check status byte and read in messages			
	nop		
	move.b	#\$7e,d2	*load d2 w/reg.3
	move.b	#\$03,d3	*ld d3 w status 0
	bsr	WREG	
	bsr	HNDREAD	
	and.b	#\$ff,d4	*check for good status
	bne	unbad	*branch to blk gp tape
	move.b	#\$fe,d2	
	move.b	#\$0f,d3	
	BSR	WREG	
	BSR	HNDREAD	*hndshk msg.in
	bra	ungood	*BRANCH TO REC TAPE GP
unbad	MOVE.B	#\$FE,D2	*MSG. IN AFTER SPACE STATUS
	MOVE.B	#\$0F,D3	
	BSR	WREG	
	BSR	HNDREAD	
	bsr	reqsens	
	bra	uncomm	
ungood	nop		
	rts		
	*return to calling routine		
*end unload (1bh) command			
*subroutine to write 2 filemarks (10h)			
FILEM	move.b	#\$10,d3	*load D3 with byte 0
	bsr	HNDSHK	*send byte 0
	move.b	#\$00,d3	*load D3 with byte 1
	bsr	HNDSHK	*send byte 1
	move.b	#\$00,d3	*load D3 with byte 2
	bsr	HNDSHK	*send byte 2
	move.b	#\$00,d3	*load D3 with byte 3
	bsr	HNDSHK	*send byte 3
	move.b	#\$02,d3	*load D3 with byte 4
	bsr	HNDSHK	*send byte 4
	move.b	#\$00,d3	*load D3 with byte 5
	bsr	HNDSHK	*send byte 5
	bsr	STATUS	*check status and message in
	nop		
	nop		
	rts		
*subroutine to space (11h) backward			
rspace	bsr	dma	
	nop		
	nop		
	move.b	#\$11,d3	*load D3 with byte 0
	bsr	HNDSHK	*send byte 0
	move.b	#\$01,d3	*load D3 with byte 1

```

bsr      HNDSHK
move.b   #$FF,d3
bsr      HNDSHK
move.b   #$FF,d3
bsr      HNDSHK
move.b   #$FF,d3
bsr      HNDSHK
move.b   #$00,d3
bsr      HNDSHK
bsr      STATUS
nop
nop

*delay to allow fspace after rspace
move.b   #$00,$a0021
move.b   #$aa,$a002b
move.b   #$aa,$a0029
move.b   #$10,$a0027
move.b   #$01,$a0021
swdly2   move.b   $a0035,d5
and.b    #$01,d5
beq      swdly2
BSR      dma

move.b   #$11,d3
bsr      HNDSHK
move.b   #$01,d3
bsr      HNDSHK
move.b   #$00,d3
bsr      HNDSHK
move.b   #$00,d3
bsr      HNDSHK
move.b   #$01,d3
bsr      HNDSHK
move.b   #$00,d3
bsr      HNDSHK
bsr      STATUS
*        bsr      comm
*        bsr      fspace
*        bsr      status
rts

*return to calling routine
*end write filemark & rev space command

*subroutine to send read (08h)
READ     move.b   #$08,d3
bsr      HNDSHK
move.b   #$01,d3
bsr      HNDSHK
move.b   #$20,d3
bsr      HNDSHK
move.b   #$c8,d3
bsr      HNDSHK
move.b   #$55,d3
bsr      HNDSHK
move.b   #$00,d3
bsr      HNDSHK
*check status byte and read in messages
*        bsr      STATUS
*        bsr      hndshk
*        bsr      hndshk
nop

```

```

*send byte 1
*load D3 with byte 2
*send byte 2
*load D3 with byte 3
*send byte 3
*load D3 with byte 4
*send byte 4
*load D3 with byte 5
*send byte 5
*check status and message in

```

```

*setup timer ctrl reg.
*low byte of wait count
*mid byte of wait count
*high byte of count reg
*start counter
*check for zero detect
*proceed after 4 seconds

*load D3 with byte0
*send byte 0
*load D3 with byte 1
*send byte 1
*load D3 with byte 2
*send byte 2
*load D3 with byte 3
*send byte 3
*load D3 with byte 4
*send byte 4
*load D3 with byte 5
*send byte 5
*check status and message in
*get head on data side of fmk

```

```

*return to calling routine

```

```

*end write filemark & rev space command

```

```

*subroutine to send read (08h)

```

```

READ     move.b   #$08,d3
bsr      HNDSHK
move.b   #$01,d3
bsr      HNDSHK
move.b   #$20,d3
bsr      HNDSHK
move.b   #$c8,d3
bsr      HNDSHK
move.b   #$55,d3
bsr      HNDSHK
move.b   #$00,d3
bsr      HNDSHK

```

```

*check status byte and read in messages

```

```

*        bsr      STATUS
*        bsr      hndshk
*        bsr      hndshk

```

```

nop

```

```

nop
nop
nop
BSR      WAITSUB
move.b   #$08,$1A0011  *reset d/a counter
MOVE.B   #$FF,$A0005   *SET PORT 2A ALL OUT
move.b   #$4a,$A0011   *write
nop
move.b   #$48,$A0011
move.b   #$28,$1A0011  *remove reset
move.b   #$4a,$A0011
nop
move.b   #$48,$A0011
*set phase to match (data in)
move.b   #$fe,d2       *load D2 with reg 3
move.b   #$01,d3       *load D3 with data for reg 3
bsr      WREG          *write reg 3 (data in D3)
BSR      WAITSUB
*Start DMA Mode
*set DMA mode bit
move.b   #$fa,d2       *load D2 with reg 2
move.b   #$02,d3       *load D3 with data for reg 2
bsr      WREGD        *write reg 2

*start DMA initiator receive
move.b   #$ff,d2       *load D2 with reg 7
move.b   #$f0,d3       *load D3 with data for reg 7
bsr      WREGD        *write reg 7
nop

*wait for stop sw. depression
STALL
nop
MOVE.B   #$1f,$A0005   *MAKE STOP SW INPUT
move.b   $A0011,d5     *read current value
and.b    #$40,d5       *mask contents of D5
bne      STALL        *loop until EOP goes high
BSR      WAITSUB
move.b   #$3e,$1A0011  *flip flop reset
move.b   #$7a,d2       *load d2 with reg 2
move.b   #$00,d3       *RESET DMAMODE BIT
bsr      WREG
*
bsr      STATUS        *REMOVED FOR MSG IN
move.b   #$2e,$1A0011  *remove flip flop reset
MOVE.B   #$05,$A0011   *RESET STOP SW
NOP
MOVE.B   #$04,$A0011   *REMOVE RESET

*wait for req active
act2
MOVE.B   #$f9,D2       *LOAD D2 W/ REG. 4
BSR      RREG
AND.B    #$20,D5       *chk for req active
BEQ      act2

*ASSERT ATN
NOP
NOP
MOVE.B   #$03,D3       *LOAD D3
NOP
MOVE.B   #$fc,D2       *LOAD D2
bsr      wreg

```

```

* HANDSHAKE ON REQ ACTIVE
REQA2    MOVE.B    #$F9,D2          *LOAD D2 W/ REG. 4
         BSR      RREG
         AND.B    #$20,D5
         BEQ     MSGO2
         BSR     ATNHND
         BRA     REQA2

*wait for msg out phase
MSGO2    move.b    #$fe,d2
         move.b    #$0e,d3
         bsr     wreg

*wait for phase change
PHASE2   move.b    $1A0011,d5
         and.b    #$80,d5
         bne     PHASE2

*send abort
         move.b    #$f8,d2
         move.b    #$06,d3
         bsr     wreg
         bsr     ATNHND

*DEASSERT ATN
         MOVE.B    #$FC,D2
         MOVE.B    #$00,D3
         BSR     WREG

*
         MOVE.B    #$09,$A0011    *RESET DAVES BDS
*
         NOP
*
         MOVE.B    #$08,$A0011    *REMOVE RESET
         rts                    *return to calling routine

*end read (08h) command

*subroutine to send write (0Ah)
WRITE    move.b    #$0A,d3        *load D3 with byte 0
         bsr     HNDSHK          *send byte 0
         move.b    #$01,d3        *load D3 with byte 1
         bsr     HNDSHK          *send byte 1
         move.b    #$20,d3        *load D3 with byte 2
         bsr     HNDSHK          *send byte 2
         move.b    #$c8,d3        *load D3 with byte 3
         bsr     HNDSHK          *send byte 3
         move.b    #$55,d3        *load D3 with byte 4
         bsr     HNDSHK          *send byte 4
         move.b    #$00,d3        *load D3 with byte 5
         bsr     HNDSHK          *send byte 5

*check status byte and read in messages
         nop

*
         move.b    #$7e,d2        *load d2 w/reg.3
*
         move.b    #$03,d3        *ld d3 w status 0
*
         bsr     WREG
*
         bsr     HNDREAD
*
         and.b    #$ff,d4        *check for good status
*
         bne     badsns          *branch to blk gp tape
*
         move.b    #$fe,d2
*
         move.b    #$0f,d3
*
         BSR     WREG
*
         BSR     HNDREAD        *hndshk msg.in
*
         bra     goodsns        *BRANCH TO REC TAPE GP

```

```

*ASSERT ATN
*adsns      nop
*          move.b    #$fe,d2
*          move.b    #$0f,d3
*          bsr       wreg
*          bsr       hndread
*          bra       b3abort
*end of present test
*          MOVE.B    #$FE,D2
*          MOVE.B    #$0F,D3
*          BSR      WREG
*          BSR      HNDREAD
*          BSR      REQSNS
*          bsr      status
*          BRA      B3ABORT

*          MOVE.B    #$03,D3          *LOAD D3
*          NOP
*          MOVE.B    #$FC,D2          *LOAD D2
*          bsr      wreg
* HANDSHAKE ON REQ ACTIVE
*ABREQA    MOVE.B    #$F9,D2          *LOAD D2 W/ REG. 4
*          BSR      RREG
*          AND.B    #$20,D5
*          BEQ      ABMSGO
*          BSR      ATNHND
*          BRA      ABREQA
*wait for msg out phase
*ABMSGO    move.b    #$fe,d2
*          move.b    #$0e,d3
*          bsr      wreg
*wait for phase change
*ABPHASE   move.b    $1A0011,d5
*          and.b    #$80,d5
*          bne     ABPHASE
*send abort
*          move.b    #$f8,d2
*          move.b    #$06,d3
*          bsr      wreg
*          bsr      ATNHND
*DEASSERT ATN
*          MOVE.B    #$FC,D2
*          MOVE.B    #$00,D3
*          BSR      WREG
*RETRY WRITE
*          BRA      B3ABORT

*badsns    MOVE.B    #$FE,D2          *MSG. IN AFTER SPACE STATUS
*          MOVE.B    #$0F,D3
*          BSR      WREG
*          BSR      HNDREAD
*          bsr      reqsens
*          bra      B3

*set phase to match data out

goodsns    nop
BSCWT70    MOVE.B    $1A0013,D3
           AND.B    #$01,D3          *WAIT FOR BKUP UNT RDY
           BEQ      BSCWT70
           MOVE.B    #$02,$1A0013

```

```

BKWT70    MOVE.B    $1A0013,D4
          AND.B    #$01,D4
          BNE     BKWT70
          NOP
          MOVE.B   #$00,$1A0013    *RESET PRIM RDY BIT
          move.b   #$01,$1A0011    *reset fifo
          nop
          NOP
          NOP
          NOP
          NOP
          move.b   #$20,$1A0011    *remove fifo reset
          move.b   #$fe,d2         *load d2 with reg 3
          move.b   #$00,d3         *load d3 with data for reg 3
          bsr     WREGD
BSCWT58   MOVE.B    $1A0013,D3
          AND.B    #$01,D3         *WAIT FOR BKUP UNT RDY
          BEQ     BSCWT58
BKWT58    MOVE.B    $1A0013,D4
          AND.B    #$01,D4
          BNE     BKWT58
          NOP
          MOVE.B   #$00,$1A0013    *RESET PRIM RDY BIT

*Start DMA Mode
*assert data
          move.b   #$fc,d2         *load D2 with reg 1
          move.b   #$09,d3         *load D3 with data for reg 1
          bsr     WREGD           *write reg 1
          move.b   #$20,$1A0011
*set DMA mode bit
          move.b   #$fa,d2         *load D2 with reg 2
          move.b   #$02,d3         *load D3 with data for reg 2
          bsr     WREGD           *write reg 2
*start DMA send
          move.b   #$fd,d2         *load D2 with reg 5
          move.b   #$00,d3         *load D3 with data for reg 5
          bsr     WREGD           *write reg 5
          nop
          nop
*data transfer begins
*procedure to decrement time after appropriate no. of iterations
EOP2     MOVE.B    $1A0035,D5    *CHECK FOR ZERO DETECT BIT
          AND.B    #$01,D5
          BEQ     STOPCHK
          MOVE.B   #$00,$1A0021  *HALT COUNTER

          MOVE.B   #$FF,$1A002B  *LOW BYTE OF COUNT REG
          MOVE.B   #$FF,$1A0029  *MID BYTE OF COUNT REG
          MOVE.B   #$FF,$1A0027  *HIGH BYTE OF COUNT REG
          MOVE.B   #$01,$1A0021  *RESTART COUNTER
          BSR     DECTIME
*RESTOP   MOVE.B    #$44,$A0011  *RESET STOP
*         MOVE.B    #$46,$A0011  *SET WRITE BIT
*
*         MOVE.B    #$44,$A0011  *RESET WRITE BIT
*         MOVE.B    $A0011,D4
*         AND.B    #$40,D4

```



```

*      BEQ      RESTOP
      NOP
      BSR      WAITSUB
      MOVE.B   $41000,D3
      MOVE.B   #$1F,D2
      AND.B    D2,D3
      MOVE.B   D3,$A0005

STOPCHK  MOVE.B   $A0011,D1      *READ CURRENT VALUE
          AND.B   #$40,D1      *MASK CONTENT OF D5
          BNE     EOP2        *LOOP UNTIL EOP2 GOES HIGH
          move.b  $1a002f,$41401 *store hi byte of count reg
          move.b  $1a0031,$41403 *store mid byte
          move.b  $1a0033,$41405 *store low byte

*wait and abort
*BSCWT59 MOVE.B   $1A0013,D3
*      AND.B   #$01,D3      *WAIT FOR BKUP UNIT RDY
*      BEQ    BSCWT59
*      MOVE.B  #$02,$1A0013
*BKWT59  MOVE.B   $1A0013,D4
*      AND.B   #$01,D4
*      BNE    BKWT59
*      NOP
*      MOVE.B  #$00,$1A0013    *RESET PRIM RDY BIT
*      bsr    waitsub

          move.b  #$30,$1A0011 *flip flop reset
          move.b  #$7a,d2      *load d2 with reg 2
          move.b  #$00,d3      *RESET DMAMODE BIT
          MOVE.B  #$05,$A0011  *RESET SW. BDS
          NOP
          NOP
          MOVE.B  #$04,$A0011  *REMOVE RESET
          bsr    WREG
*      bsr    STATUS          *REMOVED FOR MSG IN
          move.b  #$20,$1A0011 *remove flip flop reset
*ASSERT ATN
          NOP
          NOP
          MOVE.B  #$03,D3      *LOAD D3
          NOP
          MOVE.B  #$FC,D2      *LOAD D2
          bsr    wreg

* HANDSHAKE ON REQ ACTIVE
REQA    MOVE.B   #$F9,D2      *LOAD D2 W/ REG. 4
          BSR    RREG
          AND.B   #$20,D5
          BEQ    MSGO
          BSR    ATNHND
          BRA    REQA
*wait for msg out phase
MSGO    move.b   #$fe,d2
          move.b  #$0e,d3
          bsr    wreg
*wait for phase change
PHASE   move.b   $1A0011,d5
          and.b   #$80,d5
          bne    PHASE

```

```

*send abort
    move.b    #$f8,d2
    move.b    #$06,d3
    bsr      wreg
    bsr      ATNHND
*DEASSERT ATN
    MOVE.B    #$FC,D2
    MOVE.B    #$00,D3
    BSR      WREG

*          WRITE FILEMARK
*          BSR      COMM
*          bsr      filem
          rts          *return to calling routine
*end write (0Ah) command
*subroutine to send request sense
*set phase to match (data out)
reqsens    move.b    #$fe,d2          *load D2 with reg3
           move.b    #$00,d3          *load D3 with data for reg3
           bsr      WREG              *write reg 3 (data in D3)

*Detect -BSY high
           move.b    #$f9,d2          *load D2 with reg 4
HI          bsr      RREG              *read reg 4 (put data in D5)
           and.b    #$40,d5          *mask contents of D5
           bne     HI                  *loop until bit 6=0

*assert target ID
           move.b    #$01,d3          *load D3 with data for reg 0
           move.b    #$f8,d2          *load D2 with reg 0
           bsr      WREG              *write reg 0 (data in D3)
           move.b    #$01,d3          *load D3 with data for reg 1
           move.b    #$fc,d2          *load D2 with reg 1
           bsr      WREG              *write reg 1 (data in D3)

*assert -SEL line & -ATN line & assert data
           move.b    #$07,d3          *load D3 with data for reg 1
           move.b    #$fc,d2          *load D2 with reg 1
           bsr      WREG              *write reg 1 (data in D3)

*detect -BSY low
           move.b    #$f9,d2          *load D2 with reg 4
LOW10      bsr      RREG              *read reg 4 (put data in D5)
           and.b    #$40,d5          *mask contents of D5 D5
           beq     LOW10              *loop until bit 6=1

*Deassert -SEL line
           move.b    #$fc,d2          *load D2 with reg 1
           move.b    #$02,d3          *load D3 with data for reg 1
           bsr      WREG              *write reg 1 (data in D3)

*set phase to match (message out)
           move.b    #$fe,d2          *load D2 with reg 3
           move.b    #$0e,d3          *load D3 with data for reg 3
           bsr      WREG              *write reg 3 (data in D3)

*send (80h) identify message
           move.b    #$f8,d2          *load D2 with reg 0
           move.b    #$80,d3          *load D3 with data for reg 0
           bsr      WREG              *write reg 0 (data in D3)
           bsr      HNDSHK           *send command (80h)

*Deassert -ATN line
           move.b    #$fc,d2          *load D2 with reg 1
           move.b    #$00,d3          *load D3 with data for reg 1
           bsr      WREG              *write reg 1

*set phase to match (command)
           move.b    #$fe,d2          *load D2 with reg 3
           move.b    #$0a,d3          *load D3 with data for reg 3

```

```

        bsr          WREG          *write reg 3 (data in D3)
*start command
    move.b          #$03,d3        *load D3 with byte 0
    bsr             HNDSHK        *send byte 0
    move.b          #$00,d3        *load D3 with byte 1
    bsr             HNDSHK        *send byte 1
    move.b          #$00,d3        *load D3 with byte 2
    bsr             HNDSHK        *send byte 2
    move.b          #$00,d3        *load D3 with byte 3
    bsr             HNDSHK        *send byte 3
    move.b          #$04,d3        *load D3 with byte 4
    bsr             HNDSHK        *send byte 4
    move.b          #$00,d3        *load D3 with byte 5
    bsr             HNDSHK        *send byte 5
*SET PHASE TO MATCH DATA IN
    move.b          #$fe,d2        *load d2 with reg 3
    move.b          #$01,d3        *load d3 with data for reg 3
    bsr             wreg
*handshake 4 bytes of data in
    bsr             hndshk
    nop
    bsr             hndshk
    nop
    bsr             hndread
    nop
    bsr             hndshk
    rts
*subroutine to send mode select (15h) command
*start command
MODESEL  move.b          #$15,d3        *load D3 with byte 0
        bsr             HNDSHK        *send byte 0
        move.b          #$00,d3        *load D3 with byte 1
        bsr             HNDSHK        *send byte 1
        move.b          #$00,d3        *load D3 with byte 2
        bsr             HNDSHK        *send byte 2
        move.b          #$00,d3        *load D3 with byte 3
        bsr             HNDSHK        *send byte 3
        move.b          #$08,d3        *load D3 with byte 4
        bsr             HNDSHK        *send byte 4
        move.b          #$00,d3        *load D3 with byte 5
        bsr             HNDSHK        *send byte 5
*end SCSI command
*set phase to match (data out)
    move.b          #$fe,d2        *load D2 with reg 3
    move.b          #$00,d3        *load D3 with data for reg 3
    bsr             WREG          *write reg 3
*send sense data
    move.b          #$00,d3        *load D3 with byte 0
    bsr             HNDSHK        *send byte 0
    move.b          #$00,d3        *load D3 with byte 1
    bsr             HNDSHK        *send byte 1
    move.b          #$10,d3        *load D3 with byte 2
    bsr             HNDSHK        *send byte 2
    move.b          #$00,d3        *load D3 with byte 3
    bsr             HNDSHK        *send byte 3
    move.b          #$00,d3        *load D3 with byte 4
    bsr             HNDSHK        *send byte 4
    move.b          #$00,d3        *load D3 with byte 5
    bsr             HNDSHK        *send byte 5
    move.b          #$A6,d3        *MOTION THRESHOLD
    bsr             HNDSHK        *send byte 6

```

	move.b	#\$01,d3	*RECONNECT THRESHOLD
	BSR	HNDSHK	*SEND BYTE 7
	bsr	STATUS	*check status and message in
	rts		*return to calling routine
*end mode select (15h) command			
TAPOUT	bsr	comm	
*subroutine to send test unit ready (00h) command			
TEST	move.b	#\$00,d3	*load D3 with byte 0
	bsr	HNDSHK	*send byte 0
	move.b	#\$00,d3	*load D3 with byte 1
	bsr	HNDSHK	*send byte 1
	move.b	#\$00,d3	*load D3 with byte 2
	bsr	HNDSHK	*send byte 2
	move.b	#\$00,d3	*load D3 with byte 3
	bsr	HNDSHK	*send byte 3
	move.b	#\$00,d3	*load D3 with byte 4
	bsr	HNDSHK	*send byte 4
	move.b	#\$00,d3	*load D3 with byte 5
	bsr	HNDSHK	
	nop		
	move.b	#\$7e,d2	*load d2 w/reg.3
	move.b	#\$03,d3	*ld d3 w status 0
	bsr	WREG	
	bsr	HNDREAD	
	and.b	#\$ff,d4	*check for good status
	beq	TR3	*branch to MSG.IN GOOD
	move.b	#\$fe,d2	
	move.b	#\$0f,d3	
	BSR	WREG	
	BSR	HNDREAD	*hndshk msg.in
	BRA	tapout	*RETRANSMIT TUR
TR3	move.b	#\$fe,d2	
	move.b	#\$0f,d3	
	BSR	WREG	
	BSR	HNDREAD	*hndshk msg.in
	rts		*return to calling routine
*subroutine wait			
waitsub	MOVE.B	\$1A0013,D3	
	AND.B	#\$01,D3	*WAIT FOR BKUP. UNT. RDY
	BEQ	waitsub	
	MOVE.B	#\$02,\$1A0013	
waitshk	move.b	\$1a0013,d4	
	and.b	#\$01,d4	
	bne	waitshk	
	NOP		
	MOVE.B	#\$00,\$1A0013	*RESET PRIM RDY BIT
	rts		
*subroutine to go from bus free phase through selection phase to			
* command phase and right up to sending the command			
*set phase to match (data out)			
COMM	move.b	#\$fe,d2	*load D2 with reg 3
	move.b	#\$00,d3	*load D3 with data for reg 3
	bsr	WREG	*write reg 3 (data in D3)
*Detect -BSY high			
	move.b	#\$f9,d2	*load D2 with reg 4
HIGH	bsr	RREG	*read reg 4 (put data in D5)
	and.b	#\$40,d5	*mask contents of D5
	bne	HIGH	*loop until bit 6=0

```

*assert target ID
    move.b    #$01,d3    *load D3 with data for reg 0
    move.b    #$f8,d2    *load D2 with reg 0
    bsr      WREG        *write reg 0 (data in D3)
    move.b    #$01,d3    *load D3 with data for reg 1
    move.b    #$fc,d2    *load D2 with reg 1
    bsr      WREG        *write reg 1 (data in D3)
*assert -SEL line & -ATN line & assert data
    move.b    #$07,d3    *load D3 with data for reg 1
    move.b    #$fc,d2    *load D2 with reg 1
    bsr      WREG        *write reg 1 (data in D3)
*detect -BSY low
    move.b    #$f9,d2    *load D2 with reg 4
LOW2        bsr      RREG    *read reg 4 (put data in D5)
    and.b    #$40,d5    *mask contents of D5
    beq     LOW2        *loop until bit 6=1
*Deassert -SEL line
    move.b    #$fc,d2    *load D2 with reg 1
    move.b    #$02,d3    *load D3 with data for reg 1
    bsr      WREG        *write reg 1 (data in D3)
    *set phase to match (message out)
    move.b    #$fe,d2    *load D2 with reg 3
    move.b    #$0e,d3    *load D3 with data for reg 3
    bsr      WREG        *write reg 3 (data in D3)
*send (80h) identify message
    move.b    #$f8,d2    *load D2 with reg 0
    move.b    #$80,d3    *load D3 with data for reg 0
    bsr      WREG        *write reg 0 (data in D3)
    bsr      HNDSHK     *send command (80h)
*Deassert -ATN line
    move.b    #$fc,d2    *load D2 with reg 1
    move.b    #$00,d3    *load D3 with data for reg 1
    bsr      WREG        *write reg 1
*set phase to match (command)
    move.b    #$fe,d2    *load D2 with reg 3
    move.b    #$0a,d3    *load D3 with data for reg 3
    bsr      WREG        *write reg 3 (data in D3)
    rts                *return to calling routine
*end subroutine COMM
*subroutine to go from bus free phase through selection phase to
* command phase and right up to sending the command
*in DMA mode
*set phase to match (data out)
DMA        move.b    #$fe,d2    *load D2 with reg 3
    move.b    #$00,d3    *load D3 with data for reg 3
    bsr      WREG        *write reg 3 (data in D3)
*detect -BSY high
    move.b    #$f9,d2    *load D2 with reg 4
HIGH2      move.b    #$f9,d2    *try to solve bsy detect
    bsr      RREG        *read reg 4 (put data in D5)
    nop
    nop
    and.b    #$40,d5    *mask contents of D5
    bne     HIGH2      *loop until bit 6=0
*assert target ID
    move.b    #$01,d3    *load D3 with data for reg 0
    move.b    #$f8,d2    *load D2 with reg 0
    bsr      WREG        *write reg 0 (data in D3)
    move.b    #$01,d3    *load D3 with data for reg 1
    move.b    #$fc,d2    *load D2 with reg 1
    bsr      WREG        *write reg 1 (data in D3)

```

```

*assert select line & assert data
    move.b    #$05,d3
    move.b    #$fc,d2
    bsr      WREG
*detect -BSY low
    move.b    #$f9,d2
LOW3      bsr      RREG
    and.b     #$40,d5
    beq      LOW3
*Deassert -SEL line
    move.b    #$fc,d2
    move.b    #$00,d3
    bsr      WREG

*set phase to match (command)
    move.b    #$fe,d2
    move.b    #$0a,d3
    bsr.b     WREG
    rts
*end subroutine DMA

*subroutine to read in status byte and message from tape

*set phase to match (status)
STATUS    move.b    #$7e,d2
          move.b    #$03,d3
          bsr      WREG
          bsr      HNDREAD
*          and.b     #$ff,d4
*          bne      WARNING
          *load D2 with reg 3
          *load D3 with data for reg 3
          *write reg 3 (data in D3)
          *handshake status byte
          *check for good status
          *branch if not good status

*set phase to match (message in)
          move.b    #$fe,d2
          move.b    #$0f,d3
          bsr      WREG
          bsr      HNDREAD
*          and.l     #$fffffff,d4
*          bne      WARNING
          *load D2 with reg 3
          *load D3 with data for reg 3
          *write reg 3 (data in D3)
          *handshake message in byte
          *set condition code register
          *branch if not command complete
          *return to calling subroutine
*end subroutine STATUS

*subroutine to handle a warning
*WARNING  move.b    #$00,a1
          *load address of warning light

*          move.b    #$ff,d2
          *load value to light light
*          move.b    d2,a1
          *activate light
*          stop #00
          *stop executing commands
*          bra WAIT
          *start program at beginning
*end subroutine warning

*subroutine to read in bytes of data into D4
*this routine not necessary if only DMA mode is used
HNDREAD   move.b    #$79,d2
REQ3      bsr      RREG
          and.b     #$20,d5
          beq      REQ3
          move.b    #$78,d2
          bsr      RREG
          move.b    d5,d4
          *load D2 with reg 4
          *read reg 4 put data in D5)
          *mask contents of D4
          *loop until -REQ goes high
          *load D2 with reg 0
          *read reg 0 (put data in D5)
          *store d5 in d4

```

77

78

```

    move.b    #$7c,d2    *load D2 with reg 1
    move.b    #$10,d3    *load D3 with data for reg 1
    bsr.b     WREG       *write reg 1 (data in D3)
    move.b    #$79,d2    *load D2 with reg 4
REQ4  bsr       RREG       *read reg 4 (put data in D5)
    and.b     #$20,d5    *mask contents of D5
    bne      REQ4       *loop until -REQ goes low
    move.b    #$7c,d2    *load D2 with reg 1
    move.b    #$00,d3    *load D3 with data for reg 1
    bsr.b     WREG       *write reg 1 (data in D3)
    rts      REQ4       *return to calling routine
*end subroutine HNDREAD

```

\*subroutine to write to the reg contained in D2

```

WREG  proc
    move.b    #$80,$12000d *set port A to submode 1x
    move.b    #$ff,$120005 *set port A to all outputs
    move.b    d3,$120011   *send register number
    move.b    d2,$120013   *send d2
    and.b     #$4f,d2      *assert CS line
    move.b    d2,$120013
    and.b     #$77,d2      *assert IOW line
    move.b    d2,$120013   *send D2
    or.b      #$20,d2      *deassert CS line
    move.b    d2,$120013   *send D2
    or.b      #$08,d2      *deassert IOW line
    move.b    d2,$120013   *send D2
    rts      WREG         *return to main procedure

```

\*end subroutine WREG

```

WREGD  proc
    move.b    #$80,$12000d *set port A to submode 1x
    move.b    #$ff,$120005 *set port A to all outputs
    move.b    d3,$120011   *send reg. no.
    move.b    d2,$120013   *send d2
    and.b     #$cf,d2
    move.b    d2,$120013
    and.b     #$f7,d2
    move.b    d2,$120013
    or.b      #$20,d2
    move.b    d2,$120013
    or.b      #$08,d2
    move.b    d2,$120013
    rts      WREGD

```

\*end subroutine wregd

\*subroutine to read from reister contained in D2

```

RREG  move.b    #$80,$12000d *set port A to submode 1x
    move.b    #$00,$120005 *set port A to all inputs
    move.b    d2,$120013   *send register number
    and.b     #$cf,d2      *deassert CS line
    move.b    d2,$120013   *send D2
    and.b     #$af,d2      *deassert IOR line
    move.b    d2,$120013   *send D2
    move.b    $120011,d5    *send port A data from D3
    move.b    $120011,d5    *try to solve bsy detect
    or.b      #$20,d2      *assert CS line
    move.b    d2,$120013   *send D2
    or.b      #$40,d2      *assert IOR line
    move.b    d2,$120013   *send D2
    rts      RREG         *return to main procedure

```

\*end subroutine RREG

```

*subroutine to handshake with SCSI bus (data already in D3)
HNDSHK    move.b    #$f9,d2    *load D2 with reg 4
REQ       bsr      RREG      *read reg 4
          and.b    #$20,d5    *mask contents of D5
          beq     REQ       *loop until -REQ goes high
          move.b  #$f8,d2    *load D2 with reg 0
          bsr    WREG      *write reg 0 (data in D3)
          move.b  #$fc,d2    *load D2 with reg 1
          move.b  #$01,d3    *load D3 with data for reg 1
          bsr    WREG      *write reg 1 (data in D3)
          move.b  #$fc,d2    *load D2 with reg 1
          move.b  #$11,d3    *load D3 with data for reg 1
          bsr    WREG      *write reg 1 (data in D3)
          move.b  #$f9,d2    *load D2 with reg 4
REQ2      bsr      RREG      *read reg 4 (put data in D5)
          and.b  #$20,d5    *mask contents of D5
          bne    REQ2     *loop until -REQ goes low
          move.b  #$fc,d2    *load D2 with reg 1
          move.b  #$00,d3    *load D3 with data for reg 1
          bsr    WREG      *write reg 1 (data in D3)
          rts           *return to calling procedure
ATNHND   move.b    #$f9,d2    *load D2 with reg 4
ATNREQ   bsr      RREG      *read reg 4
          and.b  #$20,d5    *mask contents of D5
          beq     ATNREQ   *loop until -REQ goes high
          move.b  #$f8,d2    *load D2 with reg 0
          bsr    WREG      *write reg 0 (data in D3)
          move.b  #$fc,d2    *load D2 with reg 1
          move.b  #$03,d3    *load D3 with data for reg 1
          bsr    WREG      *write reg 1 (data in D3)
          move.b  #$fc,d2    *load D2 with reg 1
          move.b  #$13,d3    *load D3 with data for reg 1
          bsr    WREG      *write reg 1 (data in D3)
          move.b  #$f9,d2    *load D2 with reg 4
ATNRQ    bsr      RREG      *read reg 4 (put data in D5)
          and.b  #$20,d5    *mask contents of D5
          bne    ATNRQ   *loop until -REQ goes low
          move.b  #$fc,d2    *load D2 with reg 1
          move.b  #$02,d3    *load D3 with data for reg 1
          bsr    WREG      *write reg 1 (data in D3)
          rts           *return to calling procedure

*software to run backup tape drive
MOVE.B   #$00,$41500
NOP
NOP
BEGIN    move.b    #$80,$1A000d *port 3a to submode 1x
          move.b    #$80,$1A000F *PORT 3B TO SUBMODE 1X
          move.b    #$01,$1a0007
          move.b    #$00,$1a0013
BEGIN2   move.b    #$80,$A000d   *set port 2a to submode 1x
          move.b    #$00,$A0005   *port 2a bit 0 4 outputs
          move.b    #$80,$A000f   *set port 2b to submode 1x
          move.b    #$00,$A0007   *port 2b all INPUTS
          move.b    #$80,$12000f  *port 1b to submode 1x
          move.b    #$6f,$120007  *bit 4 input
          move.b    #$7f,$1A0005  *port 3a inputs
*
          bsr      waitsub
          move.b    #$00,$A0011   *clear all lines port 2a
          move.b    #$00,$A0013   *clear all lines port 2b

```



```

move.b    #$00,$1A0011    *clear all lines port 3a
move.b    #$ff,$120013    *preset 1b to all ones
move.b    #$01,$A0011     *reset daves boards
move.b    #$11,$1A0011    *reset kens boards
nop
move.b    #$00,$1A0011    *remove kens reset(non-d/a)
move.b    #$ff,$41401     *initialize hi time byte
move.b    #$ff,$41403     *initialize mid time byte
move.b    #$ff,$41405     *initialize low time byte
move.b    $A0011,d1       *load port a into d1
and.b     #$20,d1         *mask test sw. bit
*         BNE             FCNTST    *branch to test if sw. set
*         MOVE.B         $41500,D2
*         AND.B          #$FF,D2
*         BNE             NXTCONT
*         MOVE.B         $1A0013,D4
*         AND.B          #$08,D4
*         BNE             NXTCONT
*         MOVE.B         #$FF,$41500    *LOAD FOR DETECT OF LOOP CT
*set L5380 to be initiator
move.b    #$00,d3         *load d3 with data for reg 2
move.b    #$ea,d2         *load d2 with reg2
bsr      wreg             *write to reg 2
*choose SCSI ID
move.b    #$e9,d2         *load d2 with reg 4
move.b    #$02,d3         *load d3 with data for reg 4
bsr      wreg
*go through selection phase to command phase
bra      chkbsy
RT1      bsr             comm
*start SCSI command 00h (TEST UNIT READY)
*subroutine to send test unit ready (00h) command
move.b    #$00,d3         *load D3 with byte 0
bsr      HNDSHK          *send byte 0
move.b    #$00,d3         *load D3 with byte 1
bsr      HNDSHK          *send byte 1
move.b    #$00,d3         *load D3 with byte 2
bsr      HNDSHK          *send byte 2
move.b    #$00,d3         *load D3 with byte 3
bsr      HNDSHK          *send byte 3
move.b    #$00,d3         *load D3 with byte 4
bsr      HNDSHK          *send byte 4
move.b    #$00,d3         *load D3 with byte 5
bsr      HNDSHK          *send byte 5
nop
rts
chkbsy   bsr             RT1
move.b    #$7e,d2         *load d2 w/reg.3
move.b    #$03,d3         *ld d3 w status 0
bsr      WREG
bsr      HNDREAD
and.b     #$02,d4         *check for good status
BEQ      CHKBSY2
move.b    #$fe,d2
move.b    #$0f,d3
BSR      WREG
BSR      HNDREAD         *hndshk msg.in
BRA      CHKBSY
CHKBSY2  MOVE.B         #$FE,D2
MOVE.B         #$0f,d3
BSR      WREG

```

	BSR	HNDREAD	*hndshk msg.in
newchk	bsr	RT1	
	move.b	#\$7e,d2	
	move.b	#\$03,d3	
	bsr	wreg	
	bsr	hndread	
	and.b	#\$08,d4	
	beq	chkbsy3	
	move.b	#\$fe,d2	
	move.b	#\$0f,d3	
	bsr	wreg	
	bsr	hndread	
	bra	newchk	
chkbsy3	move.b	#\$fe,d2	
	move.b	#\$0f,d3	
	bsr	wreg	
	bsr	hndread	
*turn on drive select leds			
*NXTCONT	MOVE.B	#\$7F,\$1A0005	*PORT 3A BIT 0-6 OUTPUTS
*	MOVE.B	#\$1F,\$A0005	*PORT 2A BIT 0-4 OUTPUTS
*	MOVE.B	#\$01,\$A0011	*RESET DAVES BDS
*	MOVE.B	#\$11,\$A0011	*RESET KENS BDS
NXTCONT	MOVE.B	#\$05,\$A0011	*RESET DAVES BDS
	NOP		
	move.b	#\$04,\$A0011	*remove reset sel. rec/ply gp
	MOVE.B	#\$01,\$1A0007	
	MOVE.B	#\$00,\$1A0013	*RESET LOOP COUNT BIT
	MOVE.B	#\$00,\$1A0011	*REMOVE KENS RESET(NON-D/A)
	move.b	#\$07,\$A0013	*set bits for tape drv selection
	move.b	#\$06,\$A0011	*assert write bit
	nop		
	move.b	#\$04,\$A0011	*go into read mode
sync	move.b	\$a0013,d4	*chk for led lighting
	and.B	#\$07,d4	
	beq	sync	
	MOVE.B	#\$01,\$1A0007	*BIT 1 OUT,2 IN
BSCWTO	MOVE.B	#\$01,\$1A0013	*SET UNIT RDY BIT
	nop		
	nop		
	MOVE.B	\$1A0013,D3	
	AND.B	#\$02,D3	*WAIT FOR PRIM. UNT. RDY
	BEQ	BSCWTO	
	MOVE.B	#\$00,\$1A0013	*RESET UNIT RDY BIT
	move.b	#\$00,\$A0007	*port 2b all inputs
IMPROV	move.b	\$a0013,d4	*chk for led lighting
	and.b	#\$07,d4	
	beq	IMPROV	
wait	move.b	\$A0013,d1	
	and.b	#\$01,d1	*drv 1 & 2
	bne	drv2wt	
	move.b	#\$00,\$41000	*store mult. in RAM
	move.b	#\$00,\$1A0005	*port 3a bit 0,3,4OUT
	bra	continue	
drv2wt	move.b	\$A0013,d1	
	and.b	#\$02,d1	*drv 2
	bne	drv1wt	
	move.b	#\$ef,\$120007	*make eop output
	NOP		
	MOVE.B	#\$FF,\$120013	*ADDED FOR DRV 2 SOLO OPER.

	move.b	#\$ff,\$41000	*store mult. in RAM
	move.b	#\$7f,\$1a0005	
	move.b	#\$00,\$41301	*blank tape hours remaining
	move.b	#\$00,\$41303	*blank tape minutes remaining
	bsr	SRDSPLY	
	bra	continue	
drv1wt	move.b	\$A0013,d1	
	and.b	#\$04,d1	*drv 1
	bne	wait	
	move.b	#\$00,\$41000	*store mult. in RAM
	move.b	#\$00,\$1a0005	
INAC	MOVE.B	#\$01,\$1A0007	*BIT 1 OUT,2 IN
	MOVE.B	\$1A0013,D4	
	AND.B	#\$08,D4	
	BEQ	QUITLP	
	MOVE.B	#\$01,\$1A0013	*SET BIT FOR BKUP
	MOVE.B	\$1A0013,D3	
	AND.B	#\$02,D3	
	BEQ	INAC	
	MOVE.B	#\$00,\$1A0013	
	BRA	INAC	
QUITLP	MOVE.B	#\$00,\$1A0013	
	bra	BEGIN	
*	beq	wtrrn	*wait for reselection
*	bra	wait	
continue	move.b	\$41000,d3	*recall mult.
	move.b	#\$ff,d2	*I/O CTRL CODE
	AND.B	D2,D3	
	MOVE.B	D3,\$A0005	*SEND TO PORT ADDR
	move.b	#\$05,\$A0011	*reset sw. boards
	move.b	#\$11,\$1A0011	*reset flip flop
	nop		
	nop		
	nop		
	move.b	#\$00,\$1A0011	*remove flip flop reset
sync1	move.b	#\$84,\$A0011	*set load led bit
	move.b	#\$86,\$A0011	*set write bit
	nop		
	move.b	#\$84,\$A0011	*reset write bit
	move.b	\$a0011,d4	
	AND.B	#\$80,d4	
	BEQ	sync1	
BSCWT40	MOVE.B	#\$01,\$1A0013	*SET UNIT RDY BIT
	MOVE.B	\$1A0013,D3	
	AND.B	#\$02,D3	*WAIT FOR PRIM. UNT. RDY
	BEQ	BSCWT40	
	MOVE.B	#\$00,\$1A0013	*RESET UNIT RDY BIT
	move.b	\$41000,d3	*recall mult.
	move.b	#\$1f,d2	*I/O CTRL CODE
	AND.B	D2,D3	
	MOVE.B	D3,\$A0005	*SEND TO PORT ADDR
sync2	move.b	\$a0011,d1	
	and.b	#\$80,d1	
	beq	sync2	
ld	move.b	\$A0011,d1	*load 2a into d1
	and.b	#\$80,d1	*mask ld/unld
	bne	ld	*wait for sw. depression
	move.b	#\$05,\$A0011	*reset daves bds

ADDWT	MOVE.B	#\$01,\$1A0013	*SET UNIT RDY BIT
	MOVE.B	\$1A0013,D3	
	AND.B	#\$02,D3	*WAIT FOR PRIM. UNT. RDY
	BEQ	ADDWT	
	MOVE.B	#\$00,\$1A0013	*RESET UNIT RDY BIT
ldagn	bsr	COMM	
	bsr	UNLOAD	
*check to	make sure	tape is loaded	
tapld	bsr	RT1	
	move.b	#\$7e,d2	*load d2 w/reg.3
	move.b	#\$03,d3	*ld d3 w status 0
	bsr	WREG	
	bsr	HNDREAD	
	and.b	#\$02,d4	*check for good status
	BEQ	tapld2	
	move.b	#\$fe,d2	
	move.b	#\$0f,d3	
	BSR	WREG	
	BSR	HNDREAD	*hndshk msg.in
	move.b	\$41000,d3	*recall mult.
	move.b	#\$FF,d2	*I/O CTRL CODE.
	AND.B	D2,D3	
	MOVE.B	D3,\$A0005	*SEND TO PORT ADDR
	move.b	#\$84,\$A0011	*turn on load led
	move.b	#\$86,\$A0011	*SET WRITE BIT
	nop		
	move.b	#\$84,\$A0011	*RESET WRITE BIT
	move.b	\$41000,d3	*recall mult.
	move.b	#\$1F,d2	*I/O CTRL CODE
	AND.B	D2,D3	
	MOVE.B	D3,\$A0005	*SEND TO PORT ADDR
	move.b	\$A0011,d1	
	and.b	#\$80,d1	
	bne	tapld	
	move.b	#\$05,\$A0011	
	bra	ldagn	
*tapld2	move.b	#\$01,\$1a0013	*set unit rdy bit
*	nop		
*	nop		
*	MOVE.B	\$1A0013,D3	
*	NOP		
*	NOP		
*	nop		
*	nop		
*	nop		
*	AND.B	#\$02,D3	*WAIT FOR PRIM. UNT. RDY
*	BEQ	tapld2	
*	MOVE.B	#\$00,\$1A0013	*RESET UNIT RDY BIT
tapld2	MOVE.B	#\$FE,D2	
	MOVE.B	#\$0f,d3	
	BSR	WREG	
	BSR	HNDREAD	*hndshk msg.in
	bsr	waitsub	
	MOVE.B	#\$05,\$A0011	
truchk	bsr	RT1	
	MOVE.B	#\$7E,D2	

```

MOVE.B    #\$03,D3
BSR       WREG
BSR       HNDREAD
AND.B     #\$08,D4
BEQ       TAPLD3
MOVE.B    #\$FE,D2
MOVE.B    #\$0F,D3
BSR       WREG
BSR       HNDREAD
BRA       TRUCHK
TAPLD3    MOVE.B    #\$FE,D2
          MOVE.B    #\$0F,D3
          BSR       WREG
          BSR       HNDREAD
          nop
          MOVE.B    #\$01,\$1A0013    *SET UNIT RDY BIT
          NOP
          NOP
          nop
          nop
          nop
          nop
          MOVE.B    \$1A0013,D3
          NOP
          NOP
          nop
          nop
          nop
          AND.B     #\$02,D3          *WAIT FOR PRIM. UNT. RDY
          BEQ       BSCWT1
          MOVE.B    #\$00,\$1A0013    *RESET UNIT RDY BIT
* check for data tape
DATCHK    bsr      COMM
          move.b    #\$11,d3          *send fwdspace
          bsr      HNDSHK
          move.b    #\$01,d3
          bsr      HNDSHK
          move.b    #\$00,d3
          bsr      HNDSHK
          move.b    #\$00,d3
          bsr      HNDSHK
          move.b    #\$01,d3
          bsr      HNDSHK
          move.b    #\$00,d3
          bsr      HNDSHK
          nop
          move.b    #\$7e,d2          *load d2 w/reg.3
          move.b    #\$03,d3          *ld d3 w status 0
          bsr      WREG
          bsr      HNDREAD
          and.b     #\$ff,d4          *check for good status
          bne      BLKGP             *branch to blk gp tape
          move.b    #\$fe,d2
          move.b    #\$0f,d3
          BSR      WREG
          BSR      HNDREAD          *hndshk msg.in
          bra      RECGP           *BRANCH TO REC TAPE GP
*DO YOU NEED CHECK CONDITION BEFORE EACH COMMAND ?

BLKGP     MOVE.B    #\$FE,D2          *MSG. IN AFTER SPACE STATUS
          MOVE.B    #\$0F,D3
          BSR      WREG

```

	BSR	HNDREAD	
	MOVE.B	#\$01,\$1A0013	*SET UNIT RDY BIT
	NOP		
	NOP		
	nop		
	nop		
	nop		
BSCWT2	MOVE.B	\$1A0013,D3	
	NOP		
	NOP		
	nop		
	nop		
	nop		
	AND.B	#\$02,D3	*WAIT FOR PRIM. UNT. RDY
	BEQ	BSCWT2	
	MOVE.B	#\$00,\$1A0013	*RESET UNIT RDY BIT
	move.b	\$41000,d3	*recall mult.
	move.b	#\$FF,d2	*I/O CTRL CODE
	AND.B	D2,D3	
	MOVE.B	D3,\$A0007	*SEND TO PORT ADDR
	move.b	\$41000,d3	
	move.b	#\$ff,d2	
	and.b	d2,d3	
	MOVE.B	D3,\$A0005	
	NOP		
	move.b	#\$05,\$a0011	
	NOP		
	move.b	#\$04,\$a0011	
	NOP		
sync3	MOVE.B	#\$10,\$A0013	*SET FORMAT BIT
	MOVE.B	#\$04,\$A0011	*WRITE BIT SET
	nop		
	move.b	#\$06,\$a0011	
	NOP		
	MOVE.B	#\$04,\$A0011	*GO INTO READ MODE
	move.b	\$a0013,d4	
	and.b	#\$10,d4	
	beq	sync3	
*	move.b	\$41000,d3	*recall mult.
*	move.b	#\$00,d2	*I/O CTRL CODE
*	AND.B	D2,D3	
*	MOVE.B	D3,\$A0007	*SEND TO PORT ADDR
	MOVE.B	#\$01,\$1A0013	*SET UNIT RDY BIT
	NOP		
	NOP		
	nop		
	nop		
	nop		
BSCWT41	MOVE.B	\$1A0013,D3	
	NOP		
	NOP		
	nop		
	nop		
	nop		
	AND.B	#\$02,D3	*WAIT FOR PRIM. UNT. RDY
	BEQ	BSCWT41	
	MOVE.B	#\$00,\$1A0013	*RESET UNIT RDY BIT
	move.b	\$41000,d3	*recall mult.
	move.b	#\$00,d2	*I/O CTRL CODE
	AND.B	D2,D3	

fat	MOVE.B	D3,\$A0007	*SEND TO PORT ADDR
	move.b	\$a0013,d3	
	and.b	#\$10,d3	
	beq	fat	
FMTWT	MOVE.B	\$A0013,D1	
	AND.B	#\$10,D1	
	BNE	FMTWT	
	MOVE.B	#\$05,\$A0011	*RESET DAVES BDS
*CHANGE B1			
	MOVE.B	#\$01,\$1A0007	
	BSR	B1	*FORMAT TAPE
BSCWT3	MOVE.B	#\$01,\$1A0013	*SET UNIT RDY BIT
	nop		
	nop		
	nop		
	MOVE.B	\$1A0013,D3	
	nop		
	nop		
	nop		
	AND.B	#\$02,D3	*WAIT FOR PRIM. UNT. RDY
	BEQ	BSCWT3	
	MOVE.B	#\$00,\$1A0013	*RESET UNIT RDY BIT
*CHECK SAMPLE RATE AND OUTPUT TIME REMAINING			
	BSR	SMPRT	*branch to sample rate proc.
	BRA	RUNSEL	*branch to run no. sel. proc.
srdsply	move.b	\$41000,d3	*recall muliplier
	move.b	#\$ff,d2	*I/O ctrl code
	and.b	d2,d3	
	move.b	d3,\$a0005	*send to port address
	move.b	#\$05,\$a0011	*reset switch boards
*	move.b	#\$11,\$1a0011	*reset flip flop
*	move.b	#\$00,\$1a0011	*remove flip flop reset
	move.b	\$41000,d3	
	move.b	#\$ff,d2	
	and.b	d2,d3	
	move.b	d3,\$a0007	
	move.b	#\$1c,\$a0011	*set sample group
	move.b	\$41301,d4	*load hrs from ram to d4
	move.b	d4,\$a0013	*send hrs to port
	move.b	#\$1e,\$a0011	*set up for high byte
	move.b	#\$3e,\$a0011	*set time latch
	move.b	#\$3c,\$a0011	*reset write bit
	move.b	#\$1c,\$a0011	*reset time latch
	move.b	\$41303,d4	*load min. from ram
	move.b	d4,\$a0013	*send min to port
	move.b	#\$0e,\$a0011	*set up for low byte
	move.b	#\$2e,\$a0011	*set time latch
	move.b	#\$2c,\$a0011	*reset write bit
	move.b	#\$0c,\$a0011	*reset time latch
	move.b	#\$00,\$a0013	
	move.b	#\$05,\$a0011	*reset sw. bds
	rts		
RUNSEL	MOVE.B	#\$07,\$A0011	*PLACE BDS.INTO RCD GP MODE
	move.b	\$41000,d3	*recall mult.
	move.b	#\$FF,d2	*I/O CTRL CODE
	AND.B	D2,D3	

	95		96
BSCWT4	MOVE.B	D3,\$A0007	*SEND TO PORT ADDR
	MOVE.B	#\$01,\$1A0013	*SET UNIT RDY BIT
	nop		
	nop		
	nop		
	MOVE.B	\$1A0013,D3	
	nop		
	nop		
	nop		
	AND.B	#\$02,D3	*WAIT FOR PRIM. UNT. RDY
	BEQ	BSCWT4	
	MOVE.B	#\$00,\$1A0013	*RESET UNIT RDY BIT
sync4	MOVE.B	#\$40,\$A0013	*SET RUN # SELECT BIT
	MOVE.B	#\$06,\$A0011	*SET WRITE BIT
	nop		
	MOVE.B	#\$04,\$A0011	*READ MODE
*	move.b	\$41000,d3	*recall mult.
*	move.b	#\$00,d2	*I/O CTRL CODE
*	AND.B	D2,D3	
*	MOVE.B	D3,\$A0007	*SEND TO PORT ADDR
	move.b	\$a0013,d4	
	and.b	#\$40,d4	
	beq	sync4	
BSCWT44	MOVE.B	#\$01,\$1A0013	*SET UNIT RDY BIT
	nop		
	nop		
	MOVE.B	\$1A0013,D3	
	nop		
	nop		
	AND.B	#\$02,D3	*WAIT FOR PRIM. UNT. RDY
	BEQ	BSCWT44	
	MOVE.B	#\$00,\$1A0013	*RESET UNIT RDY BIT
	move.b	\$41000,d3	*recall mult.
	move.b	#\$00,d2	*I/O CTRL CODE
	AND.B	D2,D3	
	MOVE.B	D3,\$A0007	*SEND TO PORT ADDR
fat2	move.b	\$a0013,d3	
	and.b	#\$40,d3	
	beq	fat2	
RSELWT	MOVE.B	\$A0013,D1	
	AND.B	#\$40,D1	
	BNE	RSELWT	
RSEL2	MOVE.B	#\$05,\$A0011	*RESET DAVES BDS
	move.b	\$41000,d3	*recall mult.
	move.b	#\$FF,d2	*I/O CTRL CODE
	AND.B	D2,D3	
	MOVE.B	D3,\$A0007	*SEND TO PORT ADDR
sync5	MOVE.B	#\$20,\$A0013	*SET RUN # SET BIT
	MOVE.B	#\$06,\$A0011	*SET WRITE BIT
	nop		
	MOVE.B	#\$04,\$A0011	*READ MODE
*	move.b	\$41000,d3	*recall mult.
*	move.b	#\$00,d2	*I/O CTRL CODE
*	AND.B	D2,D3	
*	MOVE.B	D3,\$A0007	*SEND TO PORT ADDR
	move.b	\$a0013,d4	
	and.b	#\$20,d4	
	beq	sync5	



BSCWT45	MOVE.B	#\$01,\$1A0013	*SET UNIT RDY BIT
	nop		
	nop		
	nop		
	MOVE.B	\$1A0013,D3	
	nop		
	nop		
	nop		
	AND.B	#\$02,D3	*WAIT FOR PRIM. UNT. RDY
	BEQ	BSCWT45	
	MOVE.B	#\$00,\$1A0013	*RESET UNIT RDY BIT
	move.b	\$41000,d3	*recall mult.
	move.b	#\$00,d2	*I/O CTRL CODE
	AND.B	D2,D3	
	MOVE.B	D3,\$A0007	*SEND TO PORT ADDR
fat3	move.b	\$a0013,d3	
	and.b	#\$20,d3	
	beq	fat3	
RSETWT	MOVE.B	\$A0013,D1	
	AND.B	#\$20,D1	
	BNE	RSETWT	
	MOVE.B	#\$05,\$A0011	*RESET DAVES BDS
	move.b	\$41000,d3	*recall mult.
	move.b	#\$FF,d2	*I/O CTRL CODE
	AND.B	D2,D3	
	MOVE.B	D3,\$A0007	*SEND TO PORT ADDR
sync6	MOVE.B	#\$88,\$A0013	*SET REC AND REW BITS
	MOVE.B	#\$06,\$A0011	*SET WRITE BIT
	nop		
	MOVE.B	#\$04,\$A0011	*READ MODE
*	move.b	\$41000,d3	*recall mult.
*	move.b	#\$00,d2	*I/O CTRL CODE
*	AND.B	D2,D3	
*	MOVE.B	D3,\$A0007	*SEND TO PORT ADDR
	move.b	\$a0013,d4	
	and.b	#\$80,d4	*check record
	beq	sync6	
	move.b	\$a0013,d4	
	and.b	#\$08,d4	*check rewind
	beq	sync6	
BSCWT46	MOVE.B	#\$01,\$1A0013	*SET UNIT RDY BIT
	nop		
	nop		
	nop		
	MOVE.B	\$1A0013,D3	
	nop		
	nop		
	nop		
	AND.B	#\$02,D3	*WAIT FOR PRIM. UNT. RDY
	BEQ	BSCWT46	
	MOVE.B	#\$00,\$1A0013	*RESET UNIT RDY BIT
	MOVE.B	#\$04,\$A0011	*READ MODE
	move.b	\$41000,d3	*recall mult.
	move.b	#\$00,d2	*I/O CTRL CODE
	AND.B	D2,D3	
	MOVE.B	D3,\$A0007	*SEND TO PORT ADDR
*fat4	move.b	\$a0013,d3	
*	and.b	#\$80,d3	
*	beq	fat4	

RECWT	MOVE.B	\$A0013,D1	
	AND.B	#\$80,D1	
	BNE	REWWT	
	bsr	waitsub	
	MOVE.B	#\$05,\$A0011	*RESET DAVES BOARDS
	NOP		
	MOVE.B	#\$04,\$A0011	*REMOVE RESET
	BRA	RCD	
REWWT	MOVE.B	\$A0013,D1	*LOAD SW.COND.
	AND.B	#\$08,D1	
	BNE	RECWT	
	MOVE.B	#\$05,\$A0011	*RESET DAVES BOARDS
	NOP		
	MOVE.B	#\$04,\$A0011	*REMOVE RESET
	BSR	DMA	
	BSR	FILEM	
*delay to	allow	REWIND after write	fmk
	move.b	#\$00,\$a0021	*setup timer ctrl reg.
	move.b	#\$aa,\$a002b	*low byte of wait count
	move.b	#\$aa,\$a0029	*mid byte of wait count
	move.b	#\$10,\$a0027	*high byte of count reg
	move.b	#\$01,\$a0021	*start counter
swdly4	move.b	\$a0035,d5	*check for zero detect
	and.b	#\$01,d5	
	beq	swdly4	*proceed after 4 seconds
	BRA	RWD	
RCD	MOVE.B	#\$01,\$1A0013	*SET UNIT RDY BIT
	nop		
	nop		
	MOVE.B	\$1A0013,D3	
	nop		
	nop		
	nop		
	AND.B	#\$02,D3	*WAIT FOR PRIM. UNT. RDY
	BEQ	RCD	
	MOVE.B	#\$00,\$1A0013	*RESET UNIT RDY BIT
	MOVE.B	#\$05,\$A0011	*RESET DAVES BDS
*SEE PRINTOUTS			
	BSR	B3	*send write
BSCWT5	MOVE.B	#\$01,\$1A0013	*SET UNIT RDY BIT
	nop		
	nop		
	nop		
	MOVE.B	\$1A0013,D3	
	nop		
	nop		
	nop		
	AND.B	#\$02,D3	*WAIT FOR PRIM. UNT. RDY
	BEQ	BSCWT5	
	MOVE.B	#\$00,\$1A0013	*RESET UNIT RDY BIT
	MOVE.B	#\$05,\$A0011	*RESET DAVES BOARDS
	move.b	\$41000,d3	*recall mult.
	move.b	#\$FF,d2	*I/O CTRL CODE
	AND.B	D2,D3	
	MOVE.B	D3,\$A0007	*SEND TO PORT ADDR

	101		102
async1	MOVE.B	#\$48,\$A0013	*SET REW & RUN SEL. BITS
	MOVE.B	#\$06,\$A0011	*SET WRITE & GP SEL
	nop		
	move.b	#\$04,\$a0011	*go into read
	move.b	\$41000,d3	*recall mult.
	move.b	#\$00,d2	*I/O CTRL CODE
	AND.B	D2,D3	
	MOVE.B	D3,\$A0007	*SEND TO PORT ADDR
	move.b	\$a0013,d4	
	and.b	#\$40,d4	*check run sel
	beq	async1	
	move.b	\$a0013,d4	
	and.b	#\$08,d4	*check rewind
	beq	async1	
SELWT2	MOVE.B	\$A0013,D1	
	AND.B	#\$40,D1	*MASK RUN SEL BITS
	BNE	REWWT2	
	BRA	RSEL2	*BRANCH TO RUN# SEL
REWWT2	MOVE.B	\$A0013,D1	
	AND.B	#\$08,D1	*MASK REWIND BIT
	BNE	SELWT2	
	MOVE.B	#\$05,\$A0011	*RESET DAVES BOARDS
	BSR	DMA	
	BSR	FILEM	
*delay to	allow REWIND after write	fmk	
	move.b	#\$00,\$a0021	*setup timer ctrl reg.
	move.b	#\$aa,\$a002b	*low byte of wait count
	move.b	#\$aa,\$a0029	*mid byte of wait count
	move.b	#\$10,\$a0027	*high byte of count reg
	move.b	#\$01,\$a0021	*start counter
swdly5	move.b	\$a0035,d5	*check for zero detect
	and.b	#\$01,d5	
	beq	swdly5	*proceed after 4 seconds
	BSR	RWD	
BSCWT57	MOVE.B	#\$01,\$1A0013	*SET UNIT READY BIT
	MOVE.B	\$1A0013,D3	
	AND.B	#\$02,D3	*WAIT FOR PRIM UNT RDY
	BEQ	BSCWT57	
	MOVE.B	#\$00,\$1A0013	*RESET UNIT RDY BIT
	NOP		
	MOVE.B	#\$05,\$A0011	*RESET DAVES BDS
	BSR	RWD	
BSCWT6	MOVE.B	#\$01,\$1A0013	*SET UNIT RDY BIT
	MOVE.B	\$1A0013,D3	
	AND.B	#\$02,D3	*WAIT FOR PRIM. UNT. RDY
	BEQ	BSCWT6	
	MOVE.B	#\$00,\$1A0013	*RESET UNIT RDY BIT
	nop		
*START OF	REWIND SUBROUTINE		
RWD	BSR	COMM	*GO THROUGH SELECTION
	BSR	REWIND	
*delay to	allow unload led sync		
	move.b	#\$00,\$a0021	*setup timer ctrl reg.
	move.b	#\$aa,\$a002b	*low byte of wait count
	move.b	#\$aa,\$a0029	*mid byte of wait count
	move.b	#\$20,\$a0027	*high byte of count reg
	move.b	#\$01,\$a0021	*start counter

	103		104
swdly15	move.b	\$a0035,d5	*check for zero detect
	and.b	#\$01,d5	
	beq	swdly15	*proceed after 4 seconds
	BSR	WAITSUB	
UNLD	move.b	\$41000,d3	*recall mult.
	move.b	#\$9F,d2	*I/O CTRL CODE
	AND.B	D2,D3	
	MOVE.B	D3,\$A0005	*SEND TO PORT ADDR
newsync	MOVE.B	#\$88,\$A0011	*SET UNLOAD LED
	move.b	\$41000,d3	*recall mult.
	move.b	#\$FF,d2	*I/O CTRL CODE
	AND.B	D2,D3	
	MOVE.B	D3,\$A0007	*SEND TO PORT ADDR
	MOVE.B	#\$00,\$A0013	
	MOVE.B	#\$8a,\$A0011	*SET WRITE BIT
	move.b	#\$88,\$A0011	*set read mode
	move.b	\$a0011,d4	
	and.b	#\$80,d4	
	beq	newsync	
	BSR	WAITSUB	
	move.b	\$41000,d3	*recall mult.
	move.b	#\$1F,d2	*I/O CTRL CODE
	AND.B	D2,D3	
	MOVE.B	D3,\$A0005	*SEND TO PORT ADDR
news2	move.b	\$a0011,d1	
	and.b	#\$80,d1	
	beq	news2	
UNLDWT	MOVE.B	\$A0011,D1	
	AND.B	#\$80,D1	
	BEQ	GO	
	BRA	UNLDWT	
GO	BSR	COMM	
	BSR	UNLOAD	
BSCWT8	MOVE.B	#\$01,\$1A0013	*SET UNIT RDY BIT
	MOVE.B	\$1A0013,D3	
	AND.B	#\$02,D3	*WAIT FOR PRIM. UNT. RDY
	BEQ	BSCWT8	
	MOVE.B	#\$00,\$1A0013	*RESET UNIT RDY BIT
	MOVE.B	\$41000,D3	
	AND.B	#\$FF,D3	
	BEQ	WTEND2	
	MOVE.B	#\$09,\$1A0007	
	MOVE.B	#\$00,\$1A0013	
*delay to allow RESETTING TAPES FOR NEXT TIME			
WTEND2	move.b	#\$00,\$a0021	*setup timer ctrl reg.
	move.b	#\$aa,\$a002b	*low byte of wait count
	move.b	#\$aa,\$a0029	*mid byte of wait count
	move.b	#\$10,\$a0027	*high byte of count reg
	move.b	#\$01,\$a0021	*start counter
swdly30	move.b	\$a0035,d5	*check for zero detect
	and.b	#\$01,d5	
	beq	swdly30	*proceed after 4 seconds
*TEND	MOVE.B	\$1A0013,D2	
*	AND.B	#\$08,D2	
*	BEQ	WTEND	
*	BRA	BEGIN2	

```
*WTEND2  MOVE.B  #$04,$1A0013
          BRA    BEGIN
```

\*Subroutine to write two long filemarks

```
B1      NOP
*B1     bsr      COMM      *go through selection
*       bsr      FILEM    *write two long filemarks
*BSCWT9 MOVE.B   #$01,$1A0013 *SET UNIT RDY BIT
*       MOVE.B   $1A0013,D3
*       AND.B    #$02,D3    *WAIT FOR PRIM. UNT. RDY
*       BEQ     BSCWT9
*       MOVE.B   #$00,$1A0013 *RESET UNIT RDY BIT
*       BSR     WAITSUB
          rts
*end subroutine format
```

\*PROCEDURE FOR INPUT OF SAMP. RATE, OUTPUT TIME REM. (only for blank \*tape)

```
SMPRT   move.b   $41000,d3    *recall mult.
          move.b   #$00,d2    *I/O CTRL CODE
          AND.B    D2,D3
          MOVE.B   D3,$A0007  *SEND TO PORT ADDR
          move.b   $41000,d3  *recall mult.
          move.b   #$3F,d2    *I/O CTRL CODE
          AND.B    D2,D3
          MOVE.B   D3,$A0005  *SEND TO PORT ADDR
          MOVE.B   #$0D,$A0011 *RESET DAVES BDS
          NOP
          NOP
          move.b   #$1c,$A0011 *select sample group,high byte
          move.b   $a0013,d5
RATE1   cmpi.b   #$00,d5     *check for 781 sample rate
          bgt     RATE2
          move.b   #$2C,$41307 *iterations per min change
          move.b   #$02,$41301 *blank tape hours remaining
          move.b   #$55,$41303 *blank tape minutes remaining
          bsr     SRDSPLY
          rts
RATE2   move.b   $a0013,d5
          cmpi.b   #$01,d5     *check for 1562sample rate
          bgt     RATE3
          move.b   #$2C,$41307 *iterations per min change
          move.b   #$02,$41301 *blank tape hours remaining
          move.b   #$55,$41303 *blank tape minutes remaining
          bsr     SRDSPLY
          rts
RATE3   move.b   $a0013,d5
          cmpi.b   #$02,d5     *check for 2344 sample rate
          bgt     RATE4
          move.b   #$2C,$41307 *iterations per min change
          move.b   #$02,$41301 *blank tape hours remaining
          move.b   #$55,$41303 *blank tape minutes remaining
          bsr     SRDSPLY
          rts
RATE4   move.b   $a0013,d5
          cmpi.b   #$03,d5     *check for 3125 sample rate
          bgt     RATE5
          move.b   #$2c,$41307 *iterations per min change
          move.b   #$02,$41301 *blank tape hours remaining
```

107

108

```

    move.b    #$55,$41303    *blank tape minutes remaining
    bsr      SRDSPLY
    rts
RATE5      move.b    $a0013,d5
           cmpi.b    #$03,d5    *check for 3906 sample rate
           bgt      RATE6
           move.b    #$2C,$41307    *iterations per min change
           move.b    #$02,$41301    *blank tape hours remaining
           move.b    #$55,$41303    *blank tape minutes remaining
           bsr      SRDSPLY
           rts
RATE6      move.b    $a0013,d5
           cmpi.b    #$04,d5    *check for 4888 sample rate
           bgt      RATE7
           move.b    #$2c,$41307    *iterations per min change
           move.b    #$02,$41301    *blank tape hours remaining
           move.b    #$55,$41303    *blank tape minutes remaining
           bsr      SRDSPLY
           rts
RATE7      move.b    $a0013,d5
           cmpi.b    #$05,d5    *check for 5469 sample rate
           bgt      RATE8
           move.b    #$34,$41307    *iterations per min change
           move.b    #$02,$41301    *blank tape hours remaining
           move.b    #$36,$41303    *blank tape minutes remaining
           bsr      SRDSPLY
           rts
RATE8      move.b    $a0013,d5
           cmpi.b    #$06,d5    *check for 6250 sample rate
           move.b    #$3c,$41307    *iterations per min change
           move.b    #$02,$41301    *blank tape hours remaining
           move.b    #$16,$41303    *blank tape minutes remaining
           bsr      SRDSPLY
           rts
*end proced. for input of sample rate determine time remaining
DECTIME   move.b    $41303,d7    *restore low byte(min.)
           move.b    #$01,d5
           sbcd.b    d5,d7    *decrement min. count
           blt      minrst
           move.b    d7,$41303
           bsr      srdsply    *display time
retmin    nop
           rts
minrst    move.b    $41301,d6    *load hours
           subi.b    #$01,d6    *dec hour count
           move.b    #$59,$41303    *reset min. to 59
           move.b    d6,$41301
           bsr      SRDSPLY
           bra      retmin
           rts
*SEND WRITE

B3        MOVE.B    #$01,$1A0013    *SET UNIT RDY BIT
           nop
           nop
           nop
           MOVE.B    $1A0013,D3
           nop
           nop
           nop

```

```

AND.B      #$02,D3      *WAIT FOR PRIM. UNT. RDY
BEQ        B3
MOVE.B     #$00,$1A0013 *RESET UNIT RDY BIT
*start time decrementation
move.b     #$00,$1a0021 *setup timer control reg
move.b     $41405,$1a002b *low byte of count
move.b     $41403,$1a0029 *mid byte
move.b     $41401,$1a0027 *high byte
move.b     #$01,$1a0021 *start count
* WRITE FMK wait 3 sec and send write
bsr       dma
nop
nop
move.b     #$10,d3      *load D3 with byte 0
bsr       HNDSHK      *send byte 0
move.b     #$00,d3      *load D3 with byte 1
bsr       HNDSHK      *send byte 1
move.b     #$00,d3      *load D3 with byte 2
bsr       HNDSHK      *send byte 2
move.b     #$00,d3      *load D3 with byte 3
bsr       HNDSHK      *send byte 3
move.b     #$01,d3      *load D3 with byte 4
bsr       HNDSHK      *send byte 4
move.b     #$00,d3      *load D3 with byte 5
bsr       HNDSHK      *send byte 5
bsr       STATUS      *check status and message in
*delay to allow write after filemark
move.b     #$00,$a0021  *setup timer ctrl reg.
move.b     #$aa,$a002b  *low byte of wait count
move.b     #$aa,$a0029  *mid byte of wait count
move.b     #$10,$a0027  *high byte of count reg
move.b     #$01,$a0021  *start counter
swdly3    move.b     $a0035,d5 *check for zero detect
and.b     #$01,d5
beq       swdly3      *proceed after 4 seconds
BSCWT80  MOVE.B     #$01,$1A0013 *SET UNIT RDY BIT
MOVE.B     $1A0013,D3
AND.B     #$02,D3      *WAIT FOR PRIM. UNT. RDY
BEQ       BSCWT80
MOVE.B     #$00,$1A0013 *RESET UNIT RDY BIT
*turn on stop switch led
move.b     $41000,d3    *recall mult.
move.b     #$FF,d2     *I/O CTRL CODE
AND.B     D2,D3
MOVE.B     D3,$A0005    *SEND TO PORT ADDR
MOVE.B     #$44,$A0011 *set stop and group select
MOVE.B     $41000,D3
MOVE.B     #$FF,D2
AND.B     D2,D3
MOVE.B     D3,$A0007
MOVE.B     #$00,$A0013
MOVE.B     #$46,$A0011 *SET WRITE BIT
NOP
move.b     #$44,$a0011 *enable reading stop
NOP
MOVE.B     #$00,$A0007
MOVE.B     $41000,D3
MOVE.B     #$1F,D2
AND.B     D2,D3
MOVE.B     D3,$A0005    *STOP BIT INPUT

```

```

B3ABORT   BSR      DMA
*DELTA    move.b   $1A0011,d5

*         and.b    #$80,d5      *mask for c/d
*         bne     delta
*         bsr     WRITE      *start DMA write
*         RTS

*recorded tape routine starts here
RECGP     BSR      COMM
          BSR      MODESEL
*RECGPB   MOVE.B   #$01,$1A0013  *SET UNIT RDY BIT
*         MOVE.B   $1A0013,D3
*         AND.B    #$02,D3      *WAIT FOR PRIM. UNT. RDY
*         BEQ     RECGPB
*         MOVE.B   #$00,$1A0013  *RESET UNIT RDY BIT
          BSR      WAITSUB
          move.b   $41000,d3     *recall mult.
          move.b   #$FF,d2      *I/O CTRL CODE
          AND.B    D2,D3
          MOVE.B   D3,$A0005     *SEND TO PORT ADDR

          move.b   $41000,d3     *recall mult.
          move.b   #$FF,d2      *I/O CTRL CODE
          AND.B    D2,D3
          MOVE.B   D3,$A0007     *SEND TO PORT ADDR

sync20    move.b   #$08,$A0011   *set play gp bit
          move.b   #$c8,$A0013   *set play,fwdsp,REW
          move.b   #$0a,$A0011   *set write bit
          NOP
          move.b   #$08,$A0011   *read mode
          move.b   $a0013,d4
          AND.B    #$c8,d4
          BEQ     sync20
*BSCWT60  MOVE.B   #$01,$1A0013  *SET UNIT RDY BIT
*         MOVE.B   $1A0013,D3
*         AND.B    #$02,D3      *WAIT FOR PRIM. UNT. RDY
*         BEQ     BSCWT60
*         MOVE.B   #$00,$1A0013  *RESET UNIT RDY BIT
          BSR      WAITSUB
          move.b   $41000,d3     *recall mult.
          move.b   #$1F,d2      *I/O CTRL CODE
          AND.B    D2,D3
          MOVE.B   D3,$A0005     *SEND TO PORT ADDR
          move.b   $41000,d3     *recall mult.
          move.b   #$00,d2      *I/O CTRL CODE
          AND.B    D2,D3
          MOVE.B   D3,$A0007     *SEND TO PORT ADDR
PLAYWT    move.b   $A0013,d1
          and.b    #$80,d1      *mask for play
          bne     FWDSPWT

          move.b   #$09,$A0011   *reset daves boards
          move.b   $41000,d3     *recall mult.
          move.b   #$FF,d2      *I/O CTRL CODE
          AND.B    D2,D3
          MOVE.B   D3,$A0005     *SEND TO PORT ADDR
          move.b   $41000,d3     *recall mult.
          move.b   #$FF,d2      *I/O CTRL CODE
          AND.B    D2,D3

```



	MOVE.B	D3,\$A0007	*SEND TO PORT ADDR
	MOVE.B	#\$00,\$A0013	
sync21	move.b	#\$48,\$A0011	*set stop & play gp
B2	move.b	#\$0e,\$1A0011	*enable data tape led/read
	move.b	#\$4a,\$A0011	*set write bit
	NOP		
	move.b	#\$48,\$A0011	*go into read mode
	move.b	\$a0011,d4	
	AND.B	#\$40,d4	
	BEQ	sync21	
	BSR	WAITSUB	
	move.b	\$41000,d3	*recall mult.
	move.b	#\$1F,d2	*I/O CTRL CODE
	AND.B	D2,D3	
	MOVE.B	D3,\$A0005	*SEND TO PORT ADDR
	BSR	DMA	
	BSR	READ	
*BSCWT11	MOVE.B	#\$01,\$1A0013	*SET UNIT RDY BIT
*	MOVE.B	\$1A0013,D3	
*	AND.B	#\$02,D3	*WAIT FOR PRIM. UNT. RDY
*	BEQ	BSCWT11	
*	MOVE.B	#\$00,\$1A0013	*RESET UNIT RDY BIT
	BSR	WAITSUB	
	BRA	FRRSREW	*branch to continuation proc.
*	BRA	RECGP	*FOR TEST
FWDSPWT	move.b	\$A0013,d1	
	and.b	#\$40,d1	*mask for fwd space
	bne	RWDWT	
	move.b	#\$09,\$A0011	*reset daves boards
	bsr	dma	
	bsr	FSPACE	
BSCWT12	MOVE.B	#\$01,\$1A0013	*SET UNIT RDY BIT
	MOVE.B	\$1A0013,D3	
	AND.B	#\$02,D3	*WAIT FOR PRIM. UNT. RDY
	BEQ	BSCWT12	
	MOVE.B	#\$00,\$1A0013	*RESET UNIT RDY BIT
	bra	PFRSREW	*branch to continuation prog.
*UNLDWT2	move.b	\$A0011,d1	
*	and.b	#\$80,d1	*mask for unld
*	bne	PLAYWT	
*	move.b	#\$09,\$A0011	*reset daves boards
*	nop		
*	move.b	#\$08,\$A0011	*remove reset
*	BSR	COMM	
*	BSR	UNLOAD	
BSCWT13	MOVE.B	#\$01,\$1A0013	*SET UNIT RDY BIT
	MOVE.B	\$1A0013,D3	
	AND.B	#\$02,D3	*WAIT FOR PRIM. UNT. RDY
	BEQ	BSCWT13	
	MOVE.B	#\$00,\$1A0013	*RESET UNIT RDY BIT
	move.b	#\$09,\$A0011	*reset daves bds
	nop		
	move.b	#\$08,\$A0011	*remove daves reset
	bra	NXTCONT	
PLAYWT2	move.b	\$A0013,d1	
	and.b	#\$80,d1	*mask for play
	bne	FDSPWT3	
	move.b	#\$09,\$A0011	*reset daves boards

	move.b	\$41000,d3	*recall mult.
	move.b	#\$FF,d2	*I/O CTRL CODE
	AND.B	D2,D3	
	MOVE.B	D3,\$A0005	*SEND TO PORT ADDR
syncb21	move.b	#\$48,\$A0011	*set stop & play gp
	move.b	#\$0e,\$1A0011	*enable data tape led/read
	move.b	#\$4a,\$A0011	*set write bit
	move.b	#\$48,\$A0011	*go into read mode
	move.b	\$41000,d3	*recall mult.
	move.b	#\$1F,d2	*I/O CTRL CODE
	AND.B	D2,D3	
	MOVE.B	D3,\$A0005	*SEND TO PORT ADDR
	move.b	\$a0011,d4	
	AND.B	#\$40,d4	
	BEQ	syncb21	
	BSR	WAITSUB	
	move.b	\$41000,d3	*recall mult.
	move.b	#\$1F,d2	*I/O CTRL CODE
	AND.B	D2,D3	
	MOVE.B	D3,\$A0005	*SEND TO PORT ADDR
	BSR	DMA	
	BSR	READ	
BSCWT21	MOVE.B	#\$01,\$1A0013	*SET UNIT RDY BIT
	MOVE.B	\$1A0013,D3	
	AND.B	#\$02,D3	*WAIT FOR PRIM. UNT. RDY
	BEQ	BSCWT21	
	MOVE.B	#\$00,\$1A0013	*RESET UNIT RDY BIT
	BRA	FSRSREW	*branch to continuation proc.
RWDWT	MOVE.B	\$A0013,D1	
	AND.B	#\$08,D1	*MASK FOR REWIND
	BNE	PLAYWT	
	MOVE.B	#\$09,\$A0011	*RESET DAVES BOARDS
	BRA	RWD	
RWDWT2	MOVE.B	\$A0013,D1	
	AND.B	#\$08,D1	*MASK FOR REWIND
	BNE	REVSPWT	
	MOVE.B	#\$09,\$A0011	*RESET DAVES BOARDS
	BRA	RWD	
FDSPWT3	move.b	\$A0013,d1	
	and.b	#\$40,d1	*mask for fwd space
	bne	RWDWT2	
	move.b	#\$09,\$A0011	*reset daves boards
RT24	bsr	comm	
	*start SCSI command 00h (TEST UNIT READY)		
	*subroutine to send test unit ready (00h) command		
	move.b	#\$00,d3	*load D3 with byte 0
	bsr	HNDSHK	*send byte 0
	move.b	#\$00,d3	*load D3 with byte 1
	bsr	HNDSHK	*send byte 1
	move.b	#\$00,d3	*load D3 with byte 2
	bsr	HNDSHK	*send byte 2
	move.b	#\$00,d3	*load D3 with byte 3
	bsr	HNDSHK	*send byte 3
	move.b	#\$00,d3	*load D3 with byte 4
	bsr	HNDSHK	*send byte 4
	move.b	#\$00,d3	*load D3 with byte 5
	bsr	HNDSHK	*send byte 5
	nop		

	move.b	#\$7e,d2	*load d2 w/reg.3
	move.b	#\$03,d3	*ld d3 w status 0
	bsr	WREG	
	bsr	HNDREAD	
	and.b	#\$FF,d4	*check for good status
	BEQ	SPL2	
	move.b	#\$fe,d2	
	move.b	#\$0f,d3	
	BSR	WREG	
	BSR	HNDREAD	*hndshk msg.in
	BRA	RT24	
SPL2	MOVE.B	#\$FE,D2	
	MOVE.B	#\$0F,D3	
	BSR	WREG	
	BSR	HNDREAD	
BSCWT25	MOVE.B	#\$01,\$1A0013	*SET UNIT RDY BIT
	MOVE.B	\$1A0013,D3	
	AND.B	#\$02,D3	*WAIT FOR PRIM. UNT. RDY
	BEQ	BSCWT25	
	MOVE.B	#\$00,\$1A0013	*RESET UNIT RDY BIT
	bsr	dma	
	bsr	FSPACE	
BSCWT26	MOVE.B	#\$01,\$1A0013	*SET UNIT RDY BIT
	MOVE.B	\$1A0013,D3	
	AND.B	#\$02,D3	*WAIT FOR PRIM. UNT. RDY
	BEQ	BSCWT26	
	MOVE.B	#\$00,\$1A0013	*RESET UNIT RDY BIT
	bra	PFSRSREW	*branch to continuation prog.
REVSPWT	MOVE.B	\$A0013,D1	
	AND.B	#\$20,D1	
	BNE	PLAYWT2	
	MOVE.B	#\$09,\$A0011	
*	BSR	COMM	*compare to primary
	BSR	RSPACE	
BSCWT14	MOVE.B	#\$01,\$1A0013	*SET UNIT RDY BIT
	MOVE.B	\$1A0013,D3	
	AND.B	#\$02,D3	*WAIT FOR PRIM. UNT. RDY
	BEQ	BSCWT14	
	MOVE.B	#\$00,\$1A0013	*RESET UNIT RDY BIT
	BRA	PFSRSREW	
PFSRSREW	move.b	\$41000,d3	*recall mult.
	move.b	#\$FF,d2	*I/O CTRL CODE
	AND.B	D2,D3	
	MOVE.B	D3,\$A0007	*SEND TO PORT ADDR
	move.b	\$41000,d3	*recall mult.
	move.b	#\$FF,d2	*I/O CTRL CODE
	AND.B	D2,D3	
	MOVE.B	D3,\$A0005	*SEND TO PORT ADDR
	MOVE.B	#\$08,\$A0011	*SET PLAY GP BIT
	MOVE.B	#\$E8,\$A0013	*SET PLAY,FWD SP,REV SP,REW BITS
	MOVE.B	#\$0A,\$A0011	*WRITE SET WRITE BIT
	nop		
	move.b	#\$08,\$A0011	*enable reading of sw.s
ASYN2	MOVE.B	\$A0013,D4	
	AND.B	#\$E8,D4	
	BEQ	ASYN2	
	move.b	\$41000,d3	*recall mult.
	move.b	#\$00,d2	*I/O CTRL CODE
	AND.B	D2,D3	
	MOVE.B	D3,\$A0007	*SEND TO PORT ADDR
	BRA	RWDWT2	

```

FSRSREW  MOVE.B   $41000,D3      *RECALL MULT.
          MOVE.B   #$FF,D2
          AND.B    D2,D3
          MOVE.B   D3,$A0007     *SEND TO PORT ADDR
          move.b   $41000,d3     *recall mult.
          move.b   #$FF,d2      *I/O CTRL CODE
          AND.B    D2,D3
          MOVE.B   D3,$A0005     *SEND TO PORT ADDR
          MOVE.B   #$08,$A0011   *SET PLAY GP BIT
          MOVE.B   #$68,$A0013   *SET FWD SP,REV SP,REW BITS
          MOVE.B   #$0A,$A0011   *WRITE SET WRITE BIT
          nop
          move.b   #$08,$A0011   *enable reading of sw.s
          move.b   $41000,d3     *recall mult.
          move.b   #$00,d2      *I/O CTRL CODE
          AND.B    D2,D3
          MOVE.B   D3,$A0007     *SEND TO PORT ADDR
ASYNC3   MOVE.B   $A0013,D4
          AND.B    #$68,D4
          BEQ     ASYNC3
          BRA     FDSPWT2
FDSPWT2  move.b   $A0013,d1
          and.b   #$40,d1      *mask for fwd space
          bne    RWDWT3
          move.b  #$09,$A0011   *reset daves boards
RT14     bsr     comm
*start SCSI command 00h (TEST UNIT READY)
*subroutine to send test unit ready (00h) command
          move.b  #$00,d3      *load D3 with byte 0
          bsr    HNDSHK       *send byte 0
          move.b  #$00,d3      *load D3 with byte 1
          bsr    HNDSHK       *send byte 1
          move.b  #$00,d3      *load D3 with byte 2
          bsr    HNDSHK       *send byte 2
          move.b  #$00,d3      *load D3 with byte 3
          bsr    HNDSHK       *send byte 3
          move.b  #$00,d3      *load D3 with byte 4
          bsr    HNDSHK       *send byte 4
          move.b  #$00,d3      *load D3 with byte 5
          bsr    HNDSHK       *send byte 5
          nop

          move.b  #$7e,d2      *load d2 w/reg.3
          move.b  #$03,d3      *ld d3 w status 0
          bsr    WREG
          bsr    HNDREAD
          and.b   #$FF,d4      *check for good status
          BEQ     SPL
          move.b  #$fe,d2
          move.b  #$0f,d3
          BSR    WREG
          BSR    HNDREAD       *hndshk msg.in
          BRA     RT14
SPL      MOVE.B   #$FE,D2
          MOVE.B   #$0F,D3
          BSR     WREG
          BSR     HNDREAD
BSCWT15 MOVE.B   #$01,$1A0013   *SET UNIT RDY BIT
          MOVE.B   $1A0013,D3
          AND.B    #$02,D3     *WAIT FOR PRIM. UNT. RDY

```

```

      BEQ          BSCWT15
      MOVE.B      #$00,$1A0013  *RESET UNIT RDY BIT
      bsr        dma
      bsr        FSPACE
BSCWT16  MOVE.B      #$01,$1A0013  *SET UNIT RDY BIT
      MOVE.B      $1A0013,D3
      AND.B       #$02,D3        *WAIT FOR PRIM. UNT. RDY
      BEQ        BSCWT16
      MOVE.B      #$00,$1A0013  *RESET UNIT RDY BIT
      bra       PFSRSREW        *branch to continuation prog.
RWDWT3   MOVE.B      $A0013,D1
      AND.B       #$08,D1        *MASK FOR REWIND
      BNE       RVSPWT2
      MOVE.B      #$09,$A0011    *RESET DAVES BOARDS
      BRA       RWD
RVSPWT2  MOVE.B      $A0013,D1
      AND.B       #$20,D1
      BNE       FDSPWT2
ABSCWT1  MOVE.B      #$01,$1A0013  *SET UNIT RDY BIT
      MOVE.B      $1A0013,D3
      AND.B       #$02,D3        *WAIT FOR PRIM. UNT. RDY
      BEQ        ABSCWT1
      MOVE.B      #$00,$1A0013  *RESET UNIT RDY BIT
      NOP
      MOVE.B      #$09,$A0011
      BSR        RSPACE
      NOP
      BSR        WAITSUB
      BRA       PFSRSREW

```

\*end recorded tape group routine

\*B4 (SPACE)

\*Subroutine to space forward one filemark

```

B4      bsr        dma          *go through selection
      bsr.b       FSPACE       *space forward one filemark
BSCWT19 MOVE.B      #$01,$1A0013  *SET UNIT RDY BIT
      MOVE.B      $1A0013,D3
      AND.B       #$02,D3        *WAIT FOR PRIM. UNT. RDY
      BEQ        BSCWT19
      MOVE.B      #$00,$1A0013  *RESET UNIT RDY BIT
*      bra       GPRSP        *wait for another button

```

\*end subroutine fwdspace

\*subroutine to rewind the tape (01h)

```

REWIND  move.b     #$01,d3      *load D3 with byte 0
      bsr        HNDSHK       *send byte 0
      move.b     #$00,d3      *load D3 with byte 1
      bsr        HNDSHK       *send byte 1
      move.b     #$00,d3      *load D3 with byte 2
      bsr        HNDSHK       *send byte 2
      move.b     #$00,d3      *load D3 with byte 3
      bsr        HNDSHK       *send byte 3
      move.b     #$00,d3      *load D3 with byte 4
      bsr        HNDSHK       *send byte 4
      move.b     #$00,d3      *load D3 with byte 5
      bsr        HNDSHK       *send byte 5
      bsr        STATUS       *check status and message in
      rts          *return to calling routine

```

\*end rewind (01h) command

\*subroutine to space (11h) forward

	123		124
FSPACE	move.b	#\$11,d3	*load D3 with byte 0
	bsr	HNDSHK	*send byte 0
	move.b	#\$01,d3	*load D3 with byte 1
	bsr	HNDSHK	*send byte 1
	move.b	#\$00,d3	*load D3 with byte 2
	bsr	HNDSHK	*send byte 2
	move.b	#\$00,d3	*load D3 with byte 3
	bsr	HNDSHK	*send byte 3
	move.b	#\$01,d3	*load D3 with byte 4
	bsr	HNDSHK	*send byte 4
	move.b	#\$00,d3	*load D3 with byte 5
	bsr	HNDSHK	*send byte 5
	bsr	STATUS	*check status and message in
	rts		*return to calling routine
*end space (11h) forward command			
uncomm	bsr	comm	
*end space (11h) backward command			
*subroutine to unload the tape (1bh)			
UNLOAD	move.b	#\$1b,d3	*load D3 with byte 0
	bsr	HNDSHK	*send byte 0
	move.b	#\$00,d3	*load D3 with byte 1
	bsr	HNDSHK	*send byte 1
	move.b	#\$00,d3	*load D3 with byte 2
	bsr	HNDSHK	*send byte 2
	move.b	#\$00,d3	*load D3 with byte 3
	bsr	HNDSHK	*send byte 3
	move.b	#\$00,d3	*load D3 with byte 4
	bsr	HNDSHK	*send byte 4
	move.b	#\$00,d3	*load D3 with byte 5
	bsr	HNDSHK	*send byte 5
*	bsr	STATUS	*check status and message in
*check status byte and read in messages			
	nop		
	move.b	#\$7e,d2	*load d2 w/reg.3
	move.b	#\$03,d3	*ld d3 w status 0
	bsr	WREG	
	bsr	HNDREAD	
	and.b	#\$ff,d4	*check for good status
	bne	unbad	*branch to blk gp tape
	move.b	#\$fe,d2	
	move.b	#\$0f,d3	
	BSR	WREG	
	BSR	HNDREAD	*hndshk msg.in
	bra	ungood	*BRANCH TO REC TAPE GP
unbad	MOVE.B	#\$FE,D2	*MSG. IN AFTER SPACE STATUS
	MOVE.B	#\$0F,D3	
	BSR	WREG	
	BSR	HNDREAD	
	bsr	reqsens	
	bra	uncomm	
ungood	nop		
	rts		*return to calling routine
*end unload (1bh) command			
*subroutine to write 2 filemarks (10h)			
FILEM	move.b	#\$10,d3	*load D3 with byte 0
	bsr	HNDSHK	*send byte 0
	move.b	#\$00,d3	*load D3 with byte 1
	bsr	HNDSHK	*send byte 1

125

126

```

move.b    #$00,d3    *load D3 with byte 2
bsr       HNDSHK    *send byte 2
move.b    #$00,d3    *load D3 with byte 3
bsr       HNDSHK    *send byte 3
move.b    #$02,d3    *load D3 with byte 4
bsr       HNDSHK    *send byte 4
move.b    #$00,d3    *load D3 with byte 5
bsr       HNDSHK    *send byte 5
bsr       STATUS    *check status and message in
nop
nop
rts

*subroutine to space (11h) backward
rspace    bsr        dma
nop
nop
move.b    #$11,d3    *load D3 with byte 0
bsr       HNDSHK    *send byte 0
move.b    #$01,d3    *load D3 with byte 1
bsr       HNDSHK    *send byte 1
move.b    #$FF,d3    *load D3 with byte 2
bsr       HNDSHK    *send byte 2
move.b    #$FF,d3    *load D3 with byte 3
bsr       HNDSHK    *send byte 3
move.b    #$FF,d3    *load D3 with byte 4
bsr       HNDSHK    *send byte 4
move.b    #$00,d3    *load D3 with byte 5
bsr       HNDSHK    *send byte 5
bsr       STATUS    *check status and message in

*delay to allow fspace after rspace
move.b    #$00,$a0021 *setup timer ctrl reg.
move.b    #$aa,$a002b *low byte of wait count
move.b    #$aa,$a0029 *mid byte of wait count
move.b    #$10,$a0027 *high byte of count reg
move.b    #$01,$a0021 *start counter
swdly2    move.b    $a0035,d5 *check for zero detect
and.b     #$01,d5
beq       swdly2
BSR      dma

move.b    #$11,d3    *load D3 with byte0
bsr       HNDSHK    *send byte 0
move.b    #$01,d3    *load D3 with byte 1
bsr       HNDSHK    *send byte 1
move.b    #$00,d3    *load D3 with byte 2
bsr       HNDSHK    *send byte 2
move.b    #$00,d3    *load D3 with byte 3
bsr       HNDSHK    *send byte 3
move.b    #$01,d3    *load D3 with byte 4
bsr       HNDSHK    *send byte 4
move.b    #$00,d3    *load D3 with byte 5
bsr       HNDSHK    *send byte 5
bsr       STATUS    *check status and message in
rts             *return to calling routine

*subroutine to send read (08h)
READ      move.b    #$08,d3    *load D3 with byte 0
bsr       HNDSHK    *send byte 0
move.b    #$01,d3    *load D3 with byte 1

```

```

bsr      HNDSHK      *send byte 1
move.b  #$20,d3     *load D3 with byte 2
bsr      HNDSHK      *send byte 2
move.b  #$c8,d3     *load D3 with byte 3
bsr      HNDSHK      *send byte 3
move.b  #$55,d3     *load D3 with byte 4
bsr      HNDSHK      *send byte 4
move.b  #$00,d3     *load D3 with byte 5
bsr      HNDSHK      *send byte 5
*check status byte and read in messages
*
bsr      STATUS
BSR      WAITSUB
move.b  #$08,$1A0011 *reset d/a counter
move.b  $41000,d3    *recall mult.
move.b  #$FF,d2     *I/O CTRL CODE
AND.B   D2,D3
MOVE.B  D3,$A0005   *SEND TO PORT ADDR
move.b  #$4a,$A0011 *write
nop
move.b  #$48,$A0011
move.b  #$28,$1A0011 *remove reset
move.b  #$4a,$A0011
nop
move.b  #$48,$A0011
*set phase to match (data in)
move.b  #$fe,d2     *load D2 with reg 3
move.b  #$01,d3     *load D3 with data for reg 3
bsr      WREGD      *write reg 3 (data in D3)
BSR      WAITSUB
*Start DMA Mode
*set DMA mode bit
move.b  #$fa,d2     *load D2 with reg 2
move.b  #$02,d3     *load D3 with data for reg 2
bsr      WREGD      *write reg 2

*start DMA initiator receive
move.b  #$ff,d2     *load D2 with reg 7
move.b  #$f0,d3     *load D3 with data for reg 7
bsr      WREGD      *write reg 7
nop

*delay to allow wait for stopcheck
move.b  #$00,$a0021 *setup timer ctrl reg.
move.b  #$aa,$a002b *low byte of wait count
move.b  #$aa,$a0029 *mid byte of wait count
move.b  #$10,$a0027 *high byte of count reg
move.b  #$01,$a0021 *start counter
swdly10 move.b  $a0035,d5 *check for zero detect
and.b   #$01,d5
beq     swdly10     *proceed after 4 seconds

*wait for stop sw. depression
STALL  nop
move.b  $41000,d3   *recall mult.
move.b  #$1F,d2     *I/O CTRL CODE
AND.B   D2,D3
MOVE.B  D3,$A0005   *SEND TO PORT ADDR
move.b  $A0011,d5   *read current value
and.b   #$40,d5     *mask contents of D5
bne     STALL       *loop until EOP goes high
BSR      WAITSUB

```



```

move.b    #$3e,$1A0011  *flip flop reset
move.b    #$7a,d2       *load d2 with reg 2
move.b    #$00,d3       *RESET DMAMODE BIT
bsr       WREG
*         bsr          STATUS      *REMOVED FOR MSG IN
move.b    #$2e,$1A0011  *remove flip flop reset
*wait for req active
act2      MOVE.B    #$F9,D2      *LOAD D2 W/ REG. 4
          BSR       RREG
          AND.B     #$20,D5      *chk for req active
          BEQ       act2

*ASSERT ATN
          NOP
          NOP
          MOVE.B    #$03,D3      *LOAD D3
          NOP
          MOVE.B    #$FC,D2      *LOAD D2
          bsr       wreg

* HANDSHAKE ON REQ ACTIVE
REQA2     MOVE.B    #$F9,D2      *LOAD D2 W/ REG. 4
          BSR       RREG
          AND.B     #$20,D5
          BEQ       MSGO2
          BSR       ATNHND
          BRA       REQA2
*wait for msg out phase
MSGO2     move.b    #$fe,d2
          move.b    #$0e,d3
          bsr       wreg

*wait for phase change
PHASE2    move.b    $1A0011,d5
          and.b     #$80,d5
          bne      PHASE2

*send abort
          move.b    #$f8,d2
          move.b    #$06,d3
          bsr       wreg
          bsr       ATNHND
*DEASSERT ATN
          MOVE.B    #$FC,D2
          MOVE.B    #$00,D3
          BSR       WREG

*         MOVE.B    #$09,$A0011  *RESET DAVES BDS
*         NOP
*         MOVE.B    #$08,$A0011  *REMOVE RESET

          rts                    *return to calling routine
*end read (08h) command

*subroutine to send write (0Ah)
WRITE     move.b    #$0A,d3      *load D3 with byte 0
          bsr       HNDSHK      *send byte 0
          move.b    #$01,d3      *load D3 with byte 1
          bsr       HNDSHK      *send byte 1
          move.b    #$20,d3      *load D3 with byte 2
          bsr       HNDSHK      *send byte 2

```

5,375,221

131		132	
move.b	#\$c8,d3	*load D3 with byte 3	
bsr	HNDSHK	*send byte 3	
move.b	#\$55,d3	*load D3 with byte 4	
bsr	HNDSHK	*send byte 4	
move.b	#\$00,d3	*load D3 with byte 5	
bsr	HNDSHK	*send byte 5	
*check status byte and read in messages			
nop			
*	move.b	#\$7e,d2	*load d2 w/reg.3
*	move.b	#\$03,d3	*ld d3 w status 0
*	bsr	WREG	
*	bsr	HNDREAD	
*	and.b	#\$ff,d4	*check for good status
*	bne	badsns	*branch to blk gp tape
*	move.b	#\$fe,d2	
*	move.b	#\$0f,d3	
*	BSR	WREG	
*	BSR	HNDREAD	*hndshk msg.in
	bra	goodsns	*BRANCH TO REC TAPE GP
*ASSERT ATN			
BADSNS	NOP		
	NOP		
	MOVE.B	#\$03,D3	*LOAD D3
	NOP		
	MOVE.B	#\$FC,D2	*LOAD D2
	bsr	wreg	
* HANDSHAKE ON REQ ACTIVE			
ABREQA	MOVE.B	#\$F9,D2	*LOAD D2 W/ REG. 4
	BSR	RREG	
	AND.B	#\$20,D5	
	BEQ	ABMSGO	
	BSR	ATNHND	
	BRA	ABREQA	
*wait for msg out phase			
ABMSGO	move.b	#\$fe,d2	
	move.b	#\$0e,d3	
	bsr	wreg	
*wait for phase change			
ABPHASE	move.b	\$1A0011,d5	
	and.b	#\$80,d5	
	bne	ABPHASE	
*send abort			
	move.b	#\$f8,d2	
	move.b	#\$06,d3	
	bsr	wreg	
	bsr	ATNHND	
*DEASSERT ATN			
	MOVE.B	#\$FC,D2	
	MOVE.B	#\$00,D3	
	BSR	WREG	
*RESEND WRITE			
	BRA	B3ABORT	
*badsns	MOVE.B	#\$FE,D2	*MSG. IN AFTER SPACE STATUS
*	MOVE.B	#\$0F,D3	
*	BSR	WREG	
*	BSR	HNDREAD	
*	bsr	reqsens	

```

*      bra      B3
*set phase to match data out
goodsns  nop
BSCWT70  MOVE.B   #$01,$1A0013  *SET UNIT RDY BIT
        nop
        nop
        nop
        MOVE.B   $1A0013,D3
        nop
        nop
        nop
        AND.B    #$02,D3      *WAIT FOR PRIM UNIT RDY
        BEQ     BSCWT70
        MOVE.B   #$00,$1A0013 *RESET UNIT RDY BIT

        move.b   $41000,d3    *recall multiplier
        move.b   #$7f,d2
        and.b    d2,d3
        move.b   d3,$1a0005    *send to port addr
        move.b   #$01,$1a0011 *reset fifo
        nop
        nop
        nop
        nop
        move.b   #$20,$1a0011  *remove fifo reset
        move.b   #$fe,d2      *load d2 with reg 3
        move.b   #$00,d3      *load d3 with data for reg 3
        bsr     wregd

*loop for data out phase
*mode    move.b   #$0,d6
*
*      bsr     RREG          *READ REG 3
*      cmp    d6,d5
*      bne    mode
*check for eop reset high
*eoprst  move.b   $120013,d5
*      and.b   #$80,d5
*      beq    eoprst        *check eop bit
BSCWT58  MOVE.B   #$01,$1A0013 *SET UNIT RDY BIT
        nop
        nop
        nop
        MOVE.B   $1A0013,D3
        nop
        nop
        nop
        AND.B    #$02,D3      *WAIT FOR PRIM UNIT RDY
        BEQ     BSCWT58
        MOVE.B   #$00,$1A0013 *RESET UNIT RDY BIT

*Start DMA Mode
*assert data
        move.b   #$fc,d2      *load D2 with reg 1
        move.b   #$09,d3      *load D3 with data for reg 1
        bsr     WREGD         *write reg 1
        move.b   #$20,$1A0011
*set DMA mode bit
        move.b   #$fa,d2      *load D2 with reg 2
        move.b   #$02,d3      *load D3 with data for reg 2
        bsr     WREGD         *write reg 2

```

```

*start DMA send
  move.b    #$fd,d2
  move.b    #$00,d3
  bsr      WREGD
  nop
  nop
*data transfer begins

*procedure to decrement time after appropriate no. of iterations
EOP2      MOVE.B    $1A0035,D5      *CHECK FOR ZERO DETECT BIT
          AND.B    #$01,D5
          BEQ     STOPCHK
          MOVE.B   #$00,$1A0021    *HALT COUNTER
          MOVE.B   #$FF,$1A002B    *LOW BYTE OF COUNT REG
          MOVE.B   #$FF,$1A0029    *MID BYTE OF COUNT REG
          MOVE.B   #$FF,$1A0027    *HIGH BYTE OF COUNT REG
          MOVE.B   #$01,$1A0021    *START COUNTER
          NOP
          MOVE.B   #$01,$1A0021    *START COUNTER
          BSR     DECTIME
          MOVE.B   #$44,$A0011     *RESET STOP
          MOVE.B   #$46,$A0011     *SET WRITE BIT
          MOVE.B   #$44,$A0011     *RESET WRITE BIT
          bsr     waitsub

          NOP
          MOVE.B   $41000,D3
          MOVE.B   #$1F,D2
          AND.B    D2,D3
          MOVE.B   D3,$A0005      *STOP BIT INPUT
STOPCHK   MOVE.B   $A0011,D1      *READ CURRENT VALUE
          AND.B    #$40,D1        *MASK CONTENTS OF D5
          BNE     EOP2           *LOOP UNTIL EOP2 GOES HIGH
          MOVE.B   $1A002F,$41401 *STORE HIGH BYTE
          MOVE.B   $1A0031,$41403 *STORE MID BYTE
          MOVE.B   $1A0033,$41405 *STORE LOW BYTE

*BSCWT59  MOVE.B   #$01,$1A0013    *SET UNIT RDY BIT
*         MOVE.B   $1A0013,D3
*         AND.B    #$02,D3        *WAIT FOR PRIM UNIT RDY
*         BEQ     BSCWT59
*         MOVE.B   #$00,$1A0013    *RESET UNIT RDY BIT
          BSR     WAITSUB
          move.b   #$30,$1A0011    *flip flop reset
          move.b   #$7a,d2        *load d2 with reg 2
          move.b   #$00,d3        *RESET DMAMODE BIT
          MOVE.B   #$05,$A0011     *RESET SW BOARDS
          NOP
          NOP
          MOVE.B   #$04,$A0011     *REMOVE SW BD RESET
          bsr     WREG
*         bsr     STATUS          *REMOVED FOR MSG IN
          move.b   #$20,$1A0011    *remove flip flop reset
*ASSERT ATN
          NOP
          NOP
          MOVE.B   #$03,D3        *LOAD D3
          NOP
          MOVE.B   #$FC,D2        *LOAD D2
          bsr     wreg

```

```

* HANDSHAKE ON REQ ACTIVE
REQA    MOVE.B    #$F9,D2    *LOAD D2 W/ REG. 4
        BSR      RREG
        AND.B    #$20,D5
        BEQ     MSGO
        BSR     ATNHND
        BRA     REQA
*wait for msg out phase
MSGO    move.b    #$fe,d2
        move.b    #$0e,d3
        bsr     wreg
*wait for phase change
PHASE   move.b    $1A0011,d5
        and.b    #$80,d5
        bne     PHASE
*send abort
        move.b    #$f8,d2
        move.b    #$06,d3
        bsr     wreg
        bsr     ATNHND
*DEASSERT ATN
        MOVE.B    #$FC,D2
        MOVE.B    #$00,D3
        BSR     WREG

*        WRITE FILEMARK
*        BSR     COMM
*        bsr     filem
        rts
*return to calling routine
*end write (0Ah) command
*subroutine to send request sense
*set phase to match (data out)
reqsens move.b    #$fe,d2    *load D2 with reg3
        move.b    #$00,d3    *load D3 with data for reg3
        bsr     WREG        *write reg 3 (data in D3)
*Detect -BSY high
        move.b    #$f9,d2    *load D2 with reg 4
HI       bsr     RREG        *read reg 4 (put data in D5)
        and.b    #$40,d5    *mask contents of D5
        bne     HI          *loop until bit 6=0
*assert target ID
        move.b    #$01,d3    *load D3 with data for reg 0
        move.b    #$f8,d2    *load D2 with reg 0
        bsr     WREG        *write reg 0 (data in D3)
        move.b    #$01,d3    *load D3 with data for reg 1
        move.b    #$fc,d2    *load D2 with reg 1
        bsr     WREG        *write reg 1 (data in D3)
*assert -SEL line & -ATN line & assert data
        move.b    #$07,d3    *load D3 with data for reg 1
        move.b    #$fc,d2    *load D2 with reg 1
        bsr     WREG        *write reg 1 (data in D3)
*detect -BSY low
        move.b    #$f9,d2    *load D2 with reg 4
LOW10    bsr     RREG        *read reg 4 (put data in D5)
        and.b    #$40,d5    *mask contents of D5 D5
        beq     LOW10      *loop until bit 6=1
*Deassert -SEL line
        move.b    #$fc,d2    *load D2 with reg 1
        move.b    #$02,d3    *load D3 with data for reg 1
        bsr     WREG        *write reg 1 (data in D3)
*set phase to match (message out)

```

139

```

    move.b    #$fe,d2
    move.b    #$0e,d3
    bsr      WREG
*send (80h) identify message
    move.b    #$f8,d2
    move.b    #$80,d3
    bsr      WREG
    bsr      HNDSHK
*Deassert -ATN line
    move.b    #$fc,d2
    move.b    #$00,d3
    bsr      WREG
*set phase to match (command)
    move.b    #$fe,d2
    move.b    #$0a,d3
    bsr      WREG
*start command
    move.b    #$03,d3
    bsr      HNDSHK
    move.b    #$00,d3
    bsr      HNDSHK
    move.b    #$00,d3
    bsr      HNDSHK
    move.b    #$00,d3
    bsr      HNDSHK
    move.b    #$04,d3
    bsr      HNDSHK
    move.b    #$00,d3
    bsr      HNDSHK
*SET PHASE TO MATCH DATA IN
    move.b    #$fe,d2
    move.b    #$01,d3
    bsr      wreg
*handshake 4 bytes of data in
    bsr      hndshk
    nop
    bsr      hndshk
    nop
    bsr      hndread
    nop
    bsr      hndshk
    rts
*subroutine to send mode select (15h) command
*start command
MODESEL  move.b    #$15,d3
        bsr      HNDSHK
        move.b    #$00,d3
        bsr      HNDSHK
        move.b    #$00,d3
        bsr      HNDSHK
        move.b    #$00,d3
        bsr      HNDSHK
        move.b    #$00,d3
        bsr      HNDSHK
        move.b    #$08,d3
        bsr      HNDSHK
        move.b    #$00,d3
        bsr      HNDSHK
*end SCSI command
*set phase to match (data out)
    move.b    #$fe,d2
    move.b    #$00,d3
    bsr      WREG

```

140

```

*load D2 with reg 3
*load D3 with data for reg 3
*write reg 3 (data in D3)

*load D2 with reg 0
*load D3 with data for reg 0
*write reg 0 (data in D3)
*send command (80h)

*load D2 with reg 1
*load D3 with data for reg 1
*write reg 1

*load D2 with reg 3
*load D3 with data for reg 3
*write reg 3 (data in D3)

*load D3 with .byte 0
*send byte 0
*load D3 with byte 1
*send byte 1
*load D3 with byte 2
*send byte 2
*load D3 with byte 3
*send byte 3
*load D3 with byte 4
*send byte 4
*load D3 with byte 5
*send byte 5

*load d2 with reg 3
*load d3 with data for reg 3

*load D3 with byte 0
*send byte 0
*load D3 with byte 1
*send byte 1
*load D3 with byte 2
*send byte 2
*load D3 with byte 3
*send byte 3
*load D3 with byte 4
*send byte 4
*load D3 with byte 5
*send byte 5

*load D2 with reg 3
*load D3 with data for reg 3
*write reg 3

```

```

*send sense data
    move.b    #$00,d3    *load D3 with byte 0
    bsr      HNDSHK     *send byte 0
    move.b    #$00,d3    *load D3 with byte 1
    bsr      HNDSHK     *send byte 1
    move.b    #$10,d3    *load D3 with byte 2
    bsr      HNDSHK     *send byte 2
    move.b    #$00,d3    *load D3 with byte 3
    bsr      HNDSHK     *send byte 3
    move.b    #$00,d3    *load D3 with byte 4
    bsr      HNDSHK     *send byte 4
    move.b    #$00,d3    *load D3 with byte 5
    bsr      HNDSHK     *send byte 5
    move.b    #$A6,d3    *motion threshold
    bsr      HNDSHK     *send byte 6
    move.b    #$01,d3    *load D3 with byte 7
    bsr      HNDSHK     *send byte 7
    bsr      STATUS     *check status and message in
    rts              *return to calling routine

```

\*end mode select (15h) command

TAPOUT bsr comm

\*subroutine to send test unit ready (00h) command

```

TEST    move.b    #$00,d3    *load D3 with byte 0
        bsr      HNDSHK     *send byte 0
        move.b    #$00,d3    *load D3 with byte 1
        bsr      HNDSHK     *send byte 1
        move.b    #$00,d3    *load D3 with byte 2
        bsr      HNDSHK     *send byte 2
        move.b    #$00,d3    *load D3 with byte 3
        bsr      HNDSHK     *send byte 3
        move.b    #$00,d3    *load D3 with byte 4
        bsr      HNDSHK     *send byte 4
        move.b    #$00,d3    *load D3 with byte 5
        bsr      HNDSHK
        nop
        move.b    #$7e,d2    *load d2 w/reg.3
        move.b    #$03,d3    *ld d3 w status 0
        bsr      WREG
        bsr      HNDREAD
        and.b     #$ff,d4    *check for good status
        beq      TR3        *branch to MSG.IN GOOD
        move.b    #$fe,d2
        move.b    #$0f,d3
        BSR      WREG
        BSR      HNDREAD    *hndshk msg.in
        BRA      tapout     *RETRANSMIT TUR
TR3     move.b    #$fe,d2
        move.b    #$0f,d3
        BSR      WREG
        BSR      HNDREAD    *hndshk msg.in
        rts              *return to calling routine

```

\*subroutine fordrive hndshk wait

```

waitsub MOVE.B    #$01,$1A0013 *SET UNIT RDY BIT
        nop
        nop
        nop
        nop
        nop
        nop
        MOVE.B    $1A0013,D3

```

```

nop
nop
nop
nop
nop
AND.B      #$02,D3      *WAIT FOR PRIM. UNT. RDY
BEQ        waitsub
move.b     $1a0013,d3
and.b      #$02,d3
beq        waitsub
MOVE.B     #$00,$1A0013 *RESET UNIT RDY BIT
nop
nop
rts

```

\*subroutine to go from bus free phase through selection phase to

\* command phase and right up to sending the command

\*set phase to match (data out)

```

COMM      move.b     #$fe,d2      *load D2 with reg 3
          move.b     #$00,d3      *load D3 with data for reg 3
          bsr        WREG         *write reg 3 (data in D3)

*Detect -BSY high
HIGH      move.b     #$f9,d2      *load D2 with reg 4
          bsr        RREG         *read reg 4 (put data in D5)
          and.b      #$40,d5      *mask contents of D5
          bne        HIGH         *loop until bit 6=0

*assert target ID
          move.b     #$01,d3      *load D3 with data for reg 0
          move.b     #$f8,d2      *load D2 with reg 0
          bsr        WREG         *write reg 0 (data in D3)
          move.b     #$01,d3      *load D3 with data for reg 1
          move.b     #$fc,d2      *load D2 with reg 1
          bsr        WREG         *write reg 1 (data in D3)

*assert -SEL line & -ATN line & assert data
          move.b     #$07,d3      *load D3 with data for reg 1
          move.b     #$fc,d2      *load D2 with reg 1
          bsr        WREG         *write reg 1 (data in D3)

*detect -BSY low
LOW2      move.b     #$f9,d2      *load D2 with reg 4
          bsr        RREG         *read reg 4 (put data in D5)
          and.b      #$40,d5      *mask contents of D5
          beq        LOW2         *loop until bit 6=1

*Deassert -SEL line
          move.b     #$fc,d2      *load D2 with reg 1
          move.b     #$02,d3      *load D3 with data for reg 1
          bsr        WREG         *write reg 1 (data in D3)

*set phase to match (message out)
          move.b     #$fe,d2      *load D2 with reg 3
          move.b     #$0e,d3      *load D3 with data for reg 3
          bsr        WREG         *write reg 3 (data in D3)

*send (80h) identify message
          move.b     #$f8,d2      *load D2 with reg 0
          move.b     #$80,d3      *load D3 with data for reg 0
          bsr        WREG         *write reg 0 (data in D3)
          bsr        HNDSHK       *send command (80h)

*Deassert -ATN line
          move.b     #$fc,d2      *load D2 with reg 1
          move.b     #$00,d3      *load D3 with data for reg 1
          bsr        WREG         *write reg 1

*set phase to match (command)
          move.b     #$fe,d2      *load D2 with reg 3

```



```

    move.b    #$0a,d3    *load D3 with data for reg 3
    bsr      WREG        *write reg 3 (data in D3)
    rts                    *return to calling routine
*end subroutine COMM
*subroutine to go from bus free phase through selection phase to
* command phase and right up to sending the command
*in DMA mode
*set phase to match (data out)
DMA      move.b    #$fe,d2    *load D2 with reg 3
         move.b    #$00,d3    *load D3 with data for reg 3
         bsr      WREG        *write reg 3 (data in D3)
*detect -BSY high
HIGH2    move.b    #$f9,d2    *load D2 with reg 4
         bsr      RREG        *read reg 4 (put data in D5)
         and.b    #$40,d5    *mask contents of D5
         bne     HIGH2        *loop until bit 6=0
*assert target ID
         move.b    #$01,d3    *load D3 with data for reg 0
         move.b    #$f8,d2    *load D2 with reg 0
         bsr      WREG        *write reg 0 (data in D3)
         move.b    #$01,d3    *load D3 with data for reg 1
         move.b    #$fc,d2    *load D2 with reg 1
         bsr      WREG        *write reg 1 (data in D3)
*assert select line & assert data
         move.b    #$05,d3    *load D3 with data for reg 1
         move.b    #$fc,d2    *load D2 with reg 1
         bsr      WREG        *write reg 1 (data in D3)
*detect -BSY low
LOW3     move.b    #$f9,d2    *load D2 with reg 4
         bsr      RREG        *read reg 4 (put data in D5)
         and.b    #$40,d5    *mask contents of D5
         beq     LOW3         *loop until bit 6=1
*Deassert -SEL line
         move.b    #$fc,d2    *load D2 with reg 1
         move.b    #$00,d3    *load D3 with data for reg 1
         bsr      WREG        *write reg 1 (data in D3)

*set phase to match (command)
         move.b    #$fe,d2    *load D2 with reg 3
         move.b    #$0a,d3    *load D3 with data for reg 3
         bsr.b   WREG        *write reg 3 (data in D3)
         rts                    *return to calling routine
*end subroutine DMA

*subroutine to read in status byte and message from tape

*set phase to match (status)
STATUS   move.b    #$7e,d2    *load D2 with reg 3
         move.b    #$03,d3    *load D3 with data for reg 3
         bsr      WREG        *write reg 3 (data in D3)
         bsr      HNDREAD    *handshake status byte
*         and.b    #$ff,d4    *check for good status
*         bne     WARNING    *branch if not good status

*set phase to match (message in)
         move.b    #$fe,d2    *load D2 with reg 3
         move.b    #$0f,d3    *load D3 with data for reg 3
         bsr      WREG        *write reg 3 (data in D3)
         bsr      HNDREAD    *handshake message in byte
*         and.l    #$ffffff,d4 *set condition code register

```

```

*           bne      WARNING      *branch if not command complete
           rts
*end subroutine STATUS

*subroutine to handle a warning
*WARNING move.b     #$00,a1       *load address of warning light

*           move.b   #$ff,d2       *load value to light light
*           move.b   d2,a1         *activate light
*           stop #00      *stop executing commands
*           bra WAIT    *start program at beginning
*end subroutine warning

*subroutine to read in bytes of data into D4
*this routine not necessary if only DMA mode is used
HNDREAD  move.b     #$79,d2       *load D2 with reg 4
REQ3     bsr       RREG         *read reg 4 put data in D5)
           and.b    #$20,d5       *mask contents of D4
           beq      REQ3         *loop until -REQ goes high
           move.b   #$78,d2       *load D2 with reg 0
           bsr       RREG         *read reg 0 (put data in D5)
           move.b   d5,d4         *store d5 in d4
           move.b   #$7c,d2       *load D2 with reg 1
           move.b   #$10,d3       *load D3 with data for reg 1
           bsr.b    WREG         *write reg 1 (data in D3)
           move.b   #$79,d2       *load D2 with reg 4
REQ4     bsr       RREG         *read reg 4 (put data in D5)
           and.b    #$20,d5       *mask contents of D5
           bne      REQ4         *loop until -REQ goes low
           move.b   #$7c,d2       *load D2 with reg 1
           move.b   #$00,d3       *load D3 with data for reg 1
           bsr.b    WREG         *write reg 1 (data in D3)
           rts
           *return to calling routine
*end subroutine HNDREAD

*subroutine to write to the reg contained in D2
WREG     proc
           move.b   #$80,$12000d  *set port A to submode 1x
           move.b   #$ff,$120005  *set port A to all outputs
           move.b   d3,$120011     *send register number
           move.b   d2,$120013     *send d2
           and.b    #$4f,d2        *assert CS line
           move.b   d2,$120013     *assert IOW line
           and.b    #$77,d2        *send D2
           move.b   d2,$120013     *deassert CS line
           or.b     #$20,d2        *send D2
           move.b   d2,$120013     *deassert IOW line
           or.b     #$08,d2        *send D2
           move.b   d2,$120013     *send D2
           rts
           *return to main procedure
*end subroutine WREG

WREGD   proc
           move.b   #$80,$12000d  *set port A to submode 1x
           move.b   #$ff,$120005  *set port A to all outputs
           move.b   d3,$120011     *send reg. no.
           move.b   d2,$120013     *send d2
           and.b    #$cf,d2
           move.b   d2,$120013
           and.b    #$f7,d2
           move.b   d2,$120013
           or.b     #$20,d2

```

```

    move.b    d2,$120013
    or.b      #$08,d2
    move.b    d2,$120013
    rts
*end subroutine wregd
*subroutine to read from reister contained in D2
RREG      move.b    #$80,$12000d    *set port A to submode 1x
          move.b    #$00,$120005    *set port A to all inputs
          move.b    d2,$120013      *send register number
          and.b     #$cf,d2         *deassert CS line
          move.b    d2,$120013      *send D2
          and.b     #$af,d2         *deassert IOR line
          move.b    d2,$120013      *send D2
          move.b    $120011,d5      *send port A data from D3
          or.b      #$20,d2         *assert CS line
          move.b    d2,$120013      *send D2
          or.b      #$40,d2         *assert IOR line
          move.b    d2,$120013      *send D2
          rts                       *return to main procedure
*end subroutine RREG
*subroutine to handshake with SCSI bus (data already in D3)
HNDSHK    move.b    #$f9,d2         *load D2 with reg 4
REQ       bsr       RREG           *read reg 4
          and.b     #$20,d5         *mask contents of D5
          beq      REQ            *loop until -REQ goes high
          move.b    #$f8,d2         *load D2 with reg 0
          bsr      WREG           *write reg 0 (data in D3)
          move.b    #$fc,d2         *load D2 with reg 1
          move.b    #$01,d3         *load D3 with data for reg 1
          bsr      WREG           *write reg 1 (data in D3)
          move.b    #$fc,d2         *load D2 with reg 1
          move.b    #$11,d3         *load D3 with data for reg 1
          bsr      WREG           *write reg 1 (data in D3)
          move.b    #$f9,d2         *load D2 with reg 4
REQ2      bsr      RREG           *read reg 4 (put data in D5)
          and.b     #$20,d5         *mask contents of D5
          bne     REQ2            *loop until -REQ goes low
          move.b    #$fc,d2         *load D2 with reg 1
          move.b    #$00,d3         *load D3 with data for reg 1
          bsr      WREG           *write reg 1 (data in D3)
          rts                       *return to calling procedure
ATNHND    move.b    #$f9,d2         *load D2 with reg 4
ATNREQ    bsr      RREG           *read reg 4
          and.b     #$20,d5         *mask contents of D5
          beq      ATNREQ         *loop until -REQ goes high
          move.b    #$f8,d2         *load D2 with reg 0
          bsr      WREG           *write reg 0 (data in D3)
          move.b    #$fc,d2         *load D2 with reg 1
          move.b    #$03,d3         *load D3 with data for reg 1
          bsr      WREG           *write reg 1 (data in D3)
          move.b    #$fc,d2         *load D2 with reg 1
          move.b    #$13,d3         *load D3 with data for reg 1
          bsr      WREG           *write reg 1 (data in D3)
          move.b    #$f9,d2         *load D2 with reg 4
ATNRQ    bsr      RREG           *read reg 4 (put data inD5)
          and.b     #$20,d5         *mask contents ofD5
          bne     ATNRQ         *loop until -REQ goeslow
          move.b    #$fc,d2         *load D2 with reg1
          move.b    #$02,d3         *load D3 with data for reg1
          bsr      WREG           *write reg 1 (data inD3)
          rts                       *return to calling procedure

```

We claim:

1. A stand-alone storage control system for controlling storage onto a medium of data obtained by a real time data acquisition system, said storage control system comprising:

data input means for receiving digital data in serial format as input from the data acquisition system and converting the digital data to parallel format; a storage interface, operatively connected to said data input means and the storage medium, and operating the storage medium to store the digital data received from said data input means;

user control means for receiving a user control input and displaying a user status output; and

storage control means for controlling operation of the storage medium by said storage interface by providing storage control instructions to said storage interface in accordance with the user control input, the storage control system operating independent of any computer system.

2. A storage control system as in claim 1, wherein said storage control means provides write instructions to said storage interface when the user control input is a record request.

3. A storage control system as in claim 1, wherein said storage control means provides read instructions to said storage interface when the user control input is a play request.

4. A storage control system as in claim 1, wherein said storage control means provides a storage status based on storage information obtained from said storage interface and said user control means displays the user status output in accordance with the storage status.

5. A storage control system as in claim 4, wherein said storage control means predetermines a remaining recording time based on a predetermined data transfer rate, and the remaining recording time is output to the user control means and displayed as user status output.

6. A storage control system as in claim 1, wherein the storage medium comprises multiple storage drives, said storage interface comprises multiple interface cards each connected to a corresponding one of the multiple storage drives, and said storage control means comprises multiple microprocessors, each connected to a corresponding one of the interface cards and providing enable instructions to one of the multiple interface cards when the user control input designates one of the multiple drives, to enable the designated one of the multiple drives to be operated by said storage interface.

7. A storage control system as in claim 1, wherein said storage control means provides instructions to the storage interface to write to the storage medium a run number selected as the user control input.

8. A storage control system as in claim 1, wherein said storage interface comprises a small computer systems interface.

9. A storage control system as in claim 1, wherein said data input means comprises multiple data input cards, connected to and providing input to said storage interface, and receiving the serial data on correspond-

ing multiple input channels from the data acquisition system.

10. A storage control system as in claim 9, wherein each of the multiple data input cards has a corresponding card address, and the data input means places the digital data onto one of the input cards only when an input channel address corresponds to the card address of the corresponding one of the input cards.

11. A storage control system as in claim 10, further comprising digital to analog conversion means, operatively connected to said storage interface and to the storage medium, for converting the digital data stored on the storage medium to analog output data, and wherein said storage control means provides a storage status based on the analog output data to said user control means to be displayed as a user status output, in accordance with the analog output data.

12. A storage control system as in claim 11, wherein said digital to analog conversion means comprises multiple digital to analog converters each corresponding to one of the multiple input channels and providing the analog output data for each channel to said user control means as the user status output.

13. A method of controlling storage onto a storage medium of data obtained by a real time data acquisition system, by controlling a stand-alone storage interface which operates the storage medium, said method comprising the steps of:

(a) converting digital data received from the data acquisition system in serial format to a parallel format;

(b) receiving a user control input; and

(c) controlling operation of the stand-alone storage interface to store the digital data on the storage medium in accordance with the user control input.

14. A method as in claim 13, wherein step (c) comprises providing load storage instructions to the storage interface in accordance with the user control input.

15. A method as in claim 13, wherein step (c) comprises providing write instructions to said storage interface when the user control input is a record request.

16. A method as in claim 13, wherein step (c) comprises providing read instructions to said storage interface when the user control input is a play request.

17. A method as in claim 13, wherein step (c) comprises providing enable instructions to one of multiple interface cards to enable a corresponding one of multiple storage drives.

18. A method as in claim 13, wherein step (c) comprises providing instructions to the storage interface to write to the storage medium a run number selected as the user input.

19. A method as in claim 13, further comprising the step (d) of displaying user status output in accordance with storage data output by the storage interface.

20. A method as in claim 19, further comprising the step (e) of calculating a remaining record time based on a predetermined data transfer rate, and wherein step (d) comprises displaying the user status output to indicate the remaining recording time.

\* \* \* \* \*