

A Mass Computation Model for Lightweight Brayton Cycle Regenerator Heat Exchangers

Albert J. Juhasz¹

NASA Glenn Research Center, Cleveland, Ohio 44135

Based on a theoretical analysis of convective heat transfer across large internal surface areas, this paper discusses the design implications for generating lightweight gas-gas heat exchanger designs by packaging such areas into compact three-dimensional shapes. Allowances are made for hot and cold inlet and outlet headers for assembly of completed regenerator (or recuperator) heat exchanger units into closed cycle gas turbine flow ducting.

Surface area and resulting volume and mass requirements are computed for a range of heat exchanger effectiveness values and internal heat transfer coefficients. Benefit cost curves show the effect of increasing heat exchanger effectiveness on Brayton cycle thermodynamic efficiency on the plus side, while also illustrating the cost in heat exchanger required surface area, volume, and mass requirements as effectiveness is increased. The equations derived for counterflow and crossflow configurations show that as effectiveness values approach unity, or 100 percent, the required surface area, and hence heat exchanger volume and mass tend toward infinity, since the implication is that heat is transferred at a zero temperature difference. To verify the dimensional accuracy of the regenerator mass computational procedure, calculation of a regenerator specific mass, that is, heat exchanger weight per unit working fluid mass flow, is performed in both English and SI units. Identical numerical values for the specific mass parameter, whether expressed in lb/(lb/sec) or kg/(kg/sec), show the dimensional consistency of overall results.

Nomenclature

a	= passage height dimension (<0.01 m for plate-fin HX)
$A_W \approx (A_W + A_C)/2$	= average surface area
$C_h = (Wc_p)_h$	= hot fluid capacity rate (W/K)
$C_C = (Wc_p)_C$	= cold fluid capacity rate (W/K), also C_{\min} , and C_{\max} , are, respectively, the smaller and larger of the C_C and C_h values
C_{PC}, C_{PT}	= specific heats for the compressor and turbine flows
d_{CAS}	= density of casing material (kg/m ³)
e_C	= surface effectiveness for cold area, A_C
e_h	= surface effectiveness for hot area, A_h
ϵ_{RG}	= regenerator effectiveness
h_C, h_h	= local heat transfer coefficients, cold and hot sides- (W/m ² -K (SI) or Btu/ft ² -hr-R (English))
H and T	= gas enthalpy and temperature values with subscripts referring to state points
k	= thermal conductivity of the wall material (units in W/m-K (SI) or Btu/ft-hr-R (English))
M_{CAS}	= regenerator casing mass (kg)
t_W	= casing wall thickness (m)
T_{IC}	= compressor inlet temperature (K)
T_{IT}	= turbine inlet temperature (K)
T_{IT}/T_{IC}	= cycle temperature ratio
W_C, W_T	= compressor and turbine mass flow rate
V_{COR}	= regenerator core volume (m ³ or ft ³)
S	= total heat transfer surface area (m ² or ft ²)
U	= overall heat transfer coefficient (W/m ² -K or Btu/ft ² -hr-R)

¹Senior Project Engineer, Power and On-Board Propulsion Division, 21000 Brookpark Rd., and AIAA Associate Fellow.

I. Introduction

THE function of heat exchangers is to transfer thermal energy between different media, such as a warmer fluid, which is being cooled, and a colder one that is being heated in the process. The fluids may be either in the liquid or gaseous phase, or one or the other may even undergo a change of phase, as in the example of a boiling liquid or a condensing vapor. Heat exchangers are essential components in space heating, refrigeration, air conditioning, and chemical and petrochemical plants and refineries. They also have a major role in the implementation of various thermodynamic cycles in large electrical power plants and heat engines, including Closed Cycle Gas Turbines (CCGT) for stationary conventional fueled or nuclear power plants¹⁻³ or propulsion systems⁴ where efficient conversion of thermal-to-electrical energy or rotary shaft work energy is a principal objective. For the variety of heat exchanger design configurations for each particular application, which may range from shell-tube to plate-fin designs in parallel flow, counterflow, or crossflow configurations, refer to the many texts in this field.^{5,6} For a given temperature difference between the hot and cold fluids, the underlying objective for all heat exchanger types is to maximize the heat transfer surface area of the wall or separating barrier between the two fluids, while minimizing the resistance to flow, or pressure drop of the fluid flow through the heat exchanger. Since the focus of this paper is on regenerator surface area and weight, refer to Ref. 7 for an analysis on heat exchanger pressure drop. See Ref. 8 for an edited compilation on the topic of gas turbine heat transfer.

The objective of this paper is to develop a theoretical model for the determination of CCGT regenerator (recuperator) heat exchanger volume and mass for power systems ranging from kilowatt to multi-megawatt output levels. The model development includes an examination of the fundamental relationships between the required heat exchanger effectiveness, heat transfer surface area and the internal heat transfer coefficients available, both on the hot and cold passage side for overall heat transfer as an input variable. This input variable can be obtained from the thermodynamics of the Closed Brayton Cycle (CBC) power system under consideration as modeled, for example, by the BRMAPS code,^{9,10} the total working fluid mass flow rate passing through the regenerator's hot and cold passages.

II. Development of Regenerator Mass Model

As indicated above, modeling of a CBC recuperator heat exchanger needs to be performed in conjunction with the analysis of the entire Brayton energy conversion system to determine the working fluid mass flow rate and the temperatures at the entrance and exit state points for the hot and cold flow passages. Four possible regenerated CBC configurations for space power systems with a nuclear reactor heat source for direct or indirect heat input and rejection are shown in Fig. 1. For the indirectly heated cycle configurations the input thermal energy is supplied by liquid metal cooled reactors (LMCR), while a high-temperature gas reactor (HTGR), which heats the inert CCGT gaseous (e.g., He and He-Xe) working fluid directly, is used for the directly heated cycles. Similarly, indirect heat rejection implies a pumped liquid-to-gas heat exchanger cooling the cycle working fluid, while the liquid is cooled in a space radiator. In direct heat rejection the cycle working fluid flows over evaporator ends of radiator heat pipes, which in turn the condenser sections are cooled via the space radiator.

Note that removing the recuperator from each of the four configurations shown would result in four additional cycles referred to as non-regenerated CBC configuration.

Since these non-regenerated power systems do not require a recuperator, they are not the main focus of this paper. However, they are used in system tradeoff studies in comparing the higher expected cycle efficiency of regenerated systems at certain operating conditions with the lower system mass of the non-regenerated CBC configurations.

III. CBC Regenerator Heat Transfer

To review the role of the regenerator in a CBC gas turbine power system refer to Fig. 2, which shows a direct comparison of a regenerated CBC schematic (Fig. 2(a)) with its corresponding Temperature-Entropy or $T - S$ diagram (Fig. 2(b)).

The nomenclature of Fig. 2 is largely self explanatory with **C** and **T** designating "compressor" and "turbine," **H.S.** is heat source, **Q** is thermal energy, and **W_C** and **W_T** represent work (for compressor and turbine). Temperatures are designated by **T** and pressures by **P**, with subscripts referring to the various locations in Fig. 2(a).

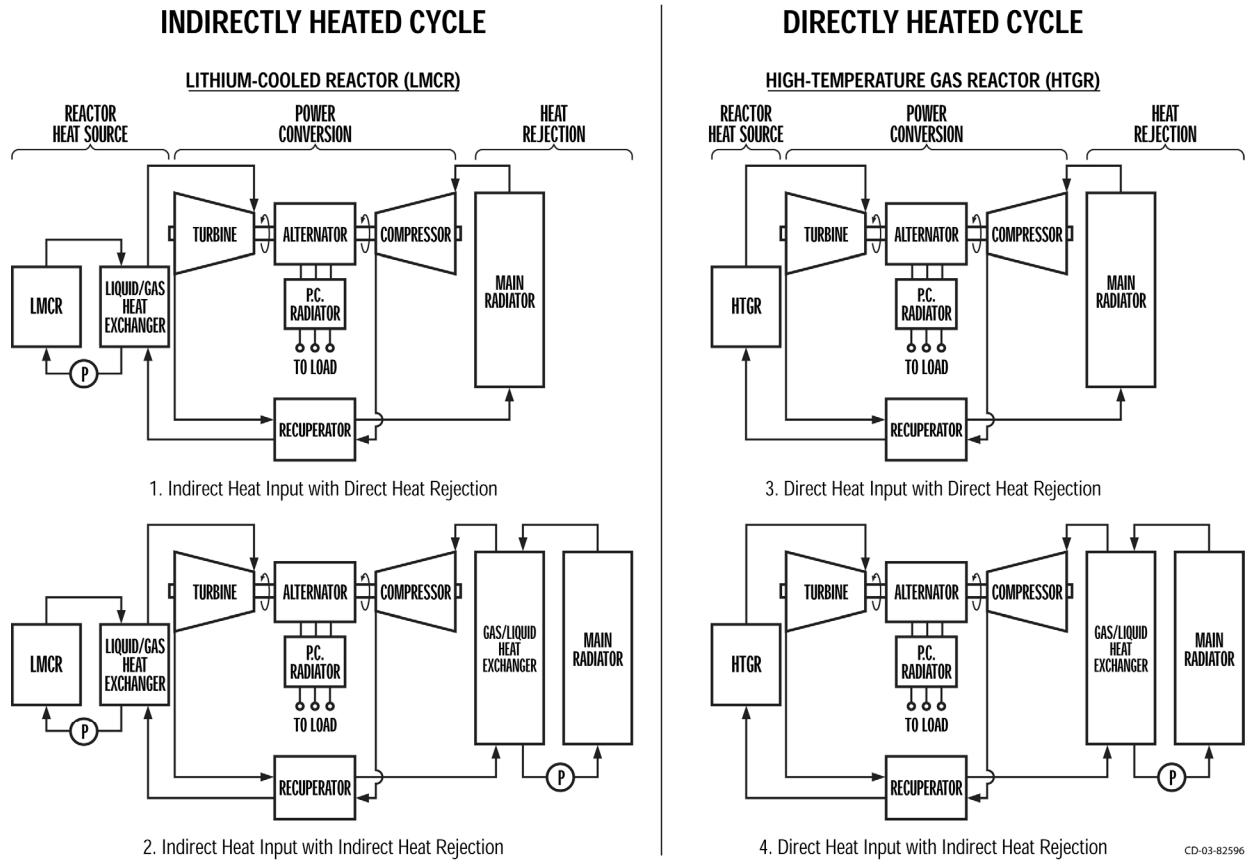


Figure 1. Regenerated CBC configurations with direct or indirect heat input and rejection.

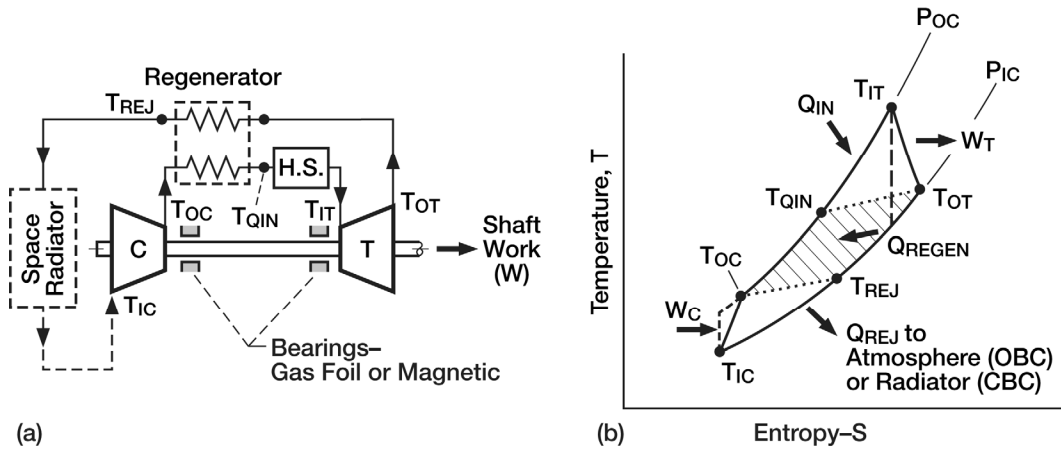


Figure 2. Regenerator effect on Brayton cycle. (a) Schematic diagram. (b) T – S diagram.

A figure of merit called the regenerator effectiveness, ϵ_{RG} , is the ratio of the actual quantity of heat transferred, Q_{TRANS} , to the compressor exit stream at temperature T_{OC} to the heat available for transfer in the turbine exit flow, Q_{AVAIL} . Hence,

$$\epsilon_{RG} = \frac{Q_{TRANS}}{Q_{AVAIL}} = \frac{W_C (H_{T_{QIN}} - H_{T_{OC}})}{W_T (H_{T_{TOT}} - H_{T_{OC}})} = \frac{W_C C_{PC} (T_{QIN} - T_{OC})}{W_T C_{PT} (T_{TOT} - T_{OC})} \quad (1)$$

where, by definition

ϵ_{RG} = regenerator effectiveness

W_C, W_T = are the compressor and turbine weight (i.e., mass) minus flow rate

C_{PC}, C_{PT} = specific heats for the compressor and turbine flows

H and T = gas enthalpy and temperature values with subscripts referring to state points shown in Figs. 2(a) and (b)

From the numerator of Eq. (1) it is easily seen that

$$Q_{TRANS} = W_C C_{PC} (T_{QIN} - T_{OC}) \quad (2a)$$

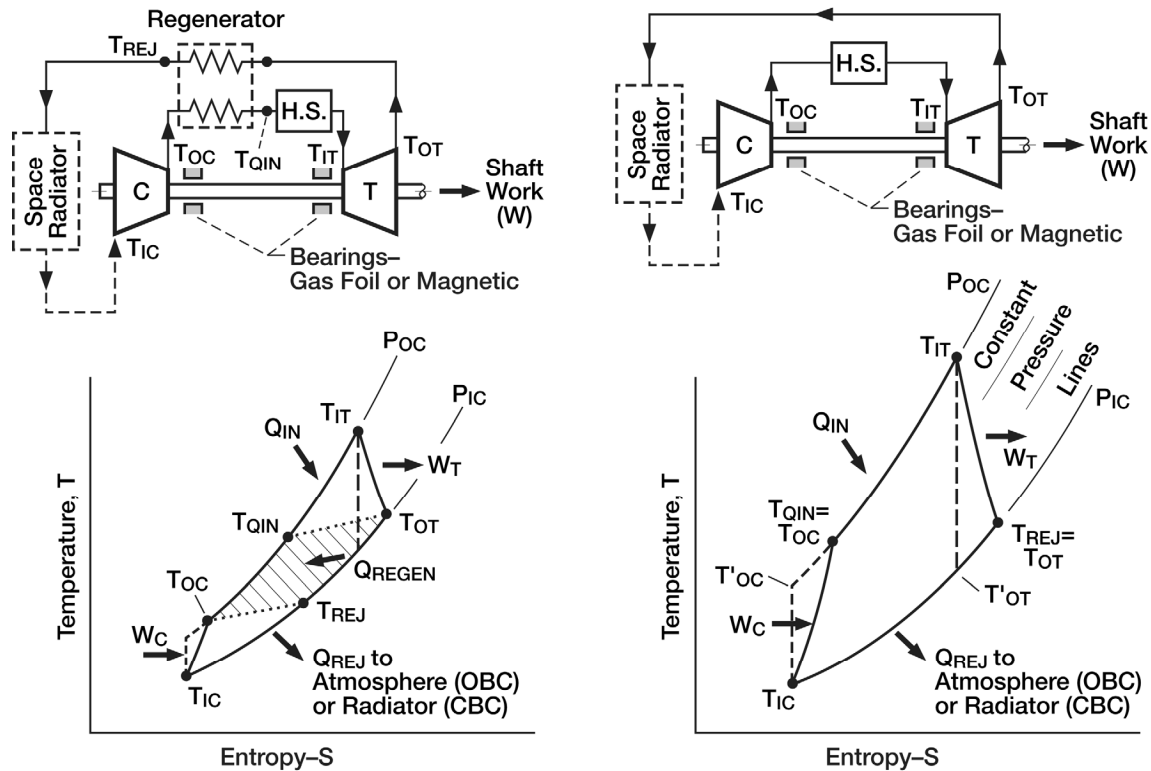
but is also true that

$$Q_{TRANS} = W_T C_{PT} (T_{OT} - T_{REJ}) \quad (2b)$$

As previously mentioned, in closed cycle applications, $W_C = W_T$ with specific heat being a constant for helium or for any inert gas mixture, Eq. (1) simplifies to

$$\epsilon_{RG} = \frac{T_{QIN} - T_{TOC}}{T_{TOT} - T_{TOC}} = \frac{T_{TOT} - T_{TREJ}}{T_{TOT} - T_{TOC}} \quad (3)$$

To further illustrate how the presence, or absence, of a regenerator (recuperator) affects the system schematic and the T-S diagram of a CBC, consider the comparisons shown in Fig. 3.



CD-04-82620

Figure 3. Thermodynamic comparison of regenerated and non-regenerated CBC. (a) Regenerated cycle. (b) Non-regenerated cycle.

Note that whereas the regenerated cycle heat is transferred from the higher temperature, and the lower pressure turbine exit streams to the compressor flow, there is no heat exchange between the two streams for the non-regenerated cycle, which therefore needs to operate at a higher cycle pressure ratio, P_{OC}/P_{IC} , to maximize thermodynamic cycle efficiency. Since at this higher pressure ratio, the turbine exit temperature T_{OT} may be approximately the same or even lower than the compressor exit temperature T_{OC} , any attempt to transfer heat between the two streams would actually lower the cycle efficiency and therefore be counterproductive. So, while the non-regenerated cycle has a simpler configuration and a lower mass due to the absence of a heat exchanger and connecting ductwork, the regenerated cycle has a higher efficiency at its lower optimum pressure ratio. This will be further illustrated in a later section of this paper.

IV. Derivation of Regenerator Total Surface Area

Referring to Fig. 2(a) one can define an effective, or log mean temperature difference, Δt_m , as

$$\Delta t_m = \frac{(T_{REJ} - T_{OC}) - (T_{OT} - T_{QIN})}{\ln \frac{(T_{REJ} - T_{OC})}{(T_{OT} - T_{QIN})}} \quad (4)$$

In our derivation it is convenient to expand the terms in parentheses of Eq. (4) in terms of the temperature changes for the compressor stream ($T_{QIN} - T_{OC}$) and the turbine discharge flow ($T_{OT} - T_{REJ}$). Rewriting Eq. (1) to show the dependence of Δt_m on these temperature differences gives

$$\Delta t_m = \frac{(T_{QIN} - T_{OC}) - (T_{OT} - T_{REJ})}{\ln \frac{(T_{OT} - T_{OC}) - (T_{OT} - T_{REJ})}{(T_{OT} - T_{OC}) - (T_{QIN} - T_{OC})}} \quad (5)$$

Substituting for $(T_{QIN} - T_{OC})$ and $(T_{OT} - T_{REJ})$ from Eq. (2) into Eq. (5) yields

$$\Delta t_m = \frac{(Q_{TRANS}/W_C C_{PC}) - (Q_{TRANS}/W_T C_{PT})}{\ln \frac{(T_{OT} - T_{OC}) - (Q_{TRANS}/W_T C_{PT})}{(T_{OT} - T_{OC}) - (Q_{TRANS}/W_C C_{PC})}} \quad (6)$$

The somewhat complicated form of Eq. (6) can be greatly simplified by making the following substitutions for some of the parameter groups:

$$\beta = \frac{Q_{TRANS}}{W_C C_{PC}} ; \chi = \frac{W_C C_{PC}}{W_T C_{PT}} ; \text{ and } \delta = T_{OT} - T_{OC} \quad (7)$$

With the indicated substitution Eq. (6) can now be rewritten as

$$\Delta t_M = \frac{(1 - \chi)\beta}{\ln \frac{(\delta - \chi)\beta}{\delta - \beta}} = \frac{(1 - \chi)\beta}{\ln \left[1 + \frac{(1 - \chi)\beta}{\delta - \beta} \right]} \quad (8)$$

Since the only difference between the compressor flow W_C and the turbine flow W_T is due to potential leakage by ducting compressor flow to gas foil bearings and alternator cooling, the value $(1 - \chi)$ is very close to zero. Expanding the denominator of Eq. (6) into a series and neglecting higher order terms leads to

$$\ln \left[1 + \frac{(1 - \chi)\beta}{\delta - \beta} \right] \approx \frac{(1 - \chi)\beta}{\delta - \beta} \quad (9)$$

Substituting the expression obtained in Eq. (9) into Eq. (8) results in the following expression for Δt_m :

$$\Delta t_m \approx \frac{(1-\chi)\beta}{(1-\chi)\beta/(\delta-\beta)} \equiv \delta - \beta \quad (10)$$

Using the symbol definitions from Eq. (7), Eq. (10) can be written as

$$\Delta t_m \approx (T_{OT} - T_{OC}) - \frac{Q_{TRANS}}{W_C C_{PC}} \quad (11)$$

Since the total heat transferred Q_{TRANS} is a function of total surface area S , Δt_m and an overall heat transfer coefficient, U_{AV} , the expression for this coefficient is adapted from the previously cited reference⁵, which defines the overall heat transfer coefficients for the hot and cold sides, U_h and U_C in terms of hot- and cold-side heat transfer coefficients h_h and h_C can be written as

$$\frac{1}{U_h} = \frac{1}{e_h h_h} + \frac{a}{(A_w/A_h)k} + \frac{1}{(A_C/A_h)e_C h_C} \quad (11a)$$

$$\frac{1}{U_C} = \frac{1}{e_C h_C} + \frac{a}{(A_w/A_C)k} + \frac{1}{(A_h/A_C)e_h h_h} \quad (11b)$$

The following symbols remain to be defined for Eq. 11:

- a = passage height dimension (<0.01 m for plate-fin HX)
- h_C, h_h = local heat transfer coefficients for the cold and hot sides (units in W/m²-K (SI) or Btu/ft²-hr-R (English))
- k = thermal conductivity of the wall material (units in W/m-K (SI) or BTU/ft-hr-R (English))
- e_C = surface effectiveness for cold area, A_C
- e_h = surface effectiveness for hot area, A_h
- $A_w \approx (A_w + A_C)/2$ = average surface area
- $C_h = (Wc_p)_h$ = hot fluid capacity rate (W/K)
- $C_C = (Wc_p)_C$ = cold fluid capacity rate (W/K), also C_{min} and C_{max} , are, respectively, the smaller and larger of the C_C and C_h values

Kays and London⁵ next compute a number of heat transfer units parameter defined as

$$N_{tu} = \frac{AU_{AV}}{C_{min}} = \frac{1}{C_{min}} \int_0^A U dA \quad (11c)$$

Letting $U = U_{AV}$ (in W/m²-K), as defined in Eqs. (11), represents an overall heat transfer coefficient, and S (in m²) stands for a total required heat transfer surface area. The total heat transferred from the turbine exit gas to the compressor discharge stream can be written as

$$Q_{TRANS} = S * U * \Delta t_m = SU \left[(T_{OT} - T_{OC}) - \frac{Q_{TRANS}}{W_C C_{PC}} \right]$$

or

$$Q_{TRANS} \left(1 + \frac{SU}{W_C C_{PC}} \right) = SU (T_{OT} - T_{OC}) \quad (12)$$

Solving for Q_{TRANS} we obtain

$$Q_{TRANS} = \frac{SU(T_{OT} - T_{OC})}{\left(1 + \frac{SU}{W_C C_{PC}}\right)} \quad (13)$$

Rearranging Eq. (13) and noting from Eq. (2b) that Q_{TRANS} can be written as $Q_{TRANS} = W_T C_{PT}(T_{OT} - T_{REJ})$, we may write

$$Q_{TRANS} = W_T C_{PT}(T_{OT} - T_{REJ}) = \frac{(T_{OT} - T_{OC})}{\frac{1}{SU} + \frac{1}{W_C C_{PC}}} \quad (14)$$

Since for a regenerator (recuperator) with the same working fluid passing through the hot and cold passages, $W_T C_{PT}/W_C C_{PC} \approx 1$, Eq. (14) may be solved for the regenerator effectiveness as defined in Eq. (3). Thus

$$\epsilon_{RG} = \frac{T_{TOT} - T_{TREJ}}{T_{TOT} - T_{TOC}} = \frac{1}{1 + W_C C_{PC} / SU} \quad (15)$$

Equation (15) can then be solved for surface area S as given by Eq. (16)

$$S = \frac{W_C C_{PC}}{U} \left(\frac{\epsilon_{RG}}{1 - \epsilon_{RG}} \right) \quad (16)$$

While Eq. (16) expresses the total surface area required for a regenerator of effectiveness ϵ_{RG} , in terms of total mass flow rate $W_C = W_T$ (identical to the compressor or turbine flow rate) and overall heat transfer coefficient U , a form found more useful by the author for actual heat exchanger surface area calculations is based on surface area per unit working fluid mass flow, or

$$\frac{S}{W_C} = \frac{C_{PC}}{U} \left(\frac{\epsilon_{RG}}{1 - \epsilon_{RG}} \right) \quad (17)$$

Multiplying the result obtained on the right-hand side of Eq. (17) by the compressor mass flow rate will give the total heat exchanger surface area. Equations (16) and (17) show that the surface area S will be directly proportional to the throughput mass flow rate, and vary inversely with U , and also increase logarithmically with effectiveness ϵ_{RG} , becoming theoretically infinite at 100 percent effectiveness (i.e., $\epsilon_{RG} = 1$).

V. Determination of Regenerator Mass

Once the total heat transfer surface area has been determined, calculation of regenerator mass can be accomplished in a few steps. One necessary additional input is a surface compactness parameter, which expresses the number of square units of surface area that can be packaged, or stacked, into a unit volume of multipassage regenerator heat exchanger hardware, while still leaving enough open area between the stacked plates for hot and cold gas to flow through. Next, the density of materials used for the heat exchanger plate-fin construction—the casing and the connecting ductwork—needs to be determined. Manufacturing experience has shown that as much as 1000 ft² of surface area can be stacked into a cubic foot of volume. This packing density or stacking factor (STF in English units) translates into ~ 3281 m²/m³ in SI units, referred to as STRFRSI in the regenerator subroutine developed for this paper. The regenerator core volume, V_{COR} , can be written as

$$V_{COR} = S * STF \quad (18)$$

Initially assuming a cubic configuration, a characteristic length dimension is $(V_{COR})^{0.333}$. Arbitrarily setting this value as the height, L_H (m), we can set the length $L_L = 2*L_H$ and the width dimension, $L_W = 0.5*L_H$, the core volume for a parallel-piped form can be written as

$$V_{COR} = L_H L_L L_W \quad (\text{m}^3) \quad (19)$$

The regenerator core mass, M_{COR} (kg), will be the volume times an average core density, d_{COR} (kg/m³), giving

$$M_{COR} = L_H L_L L_W d_{COR} \quad (\text{kg}) \quad (20)$$

The regenerator casing mass is the sum of the masses of the six sides of the parallel-piped

$$M_{CAS} = 2 * [(L_H L_W) + (L_H L_L) + (L_L L_W)] * t_W * d_{CAS} \quad (21)$$

where

M_{CAS} = regenerator casing mass (kg)
 t_W = casing wall thickness (m)
 d_{CAS} = density of casing material (kg/m³)

Finally, assuming that the mass of the hot and cold inlet and outlet ducts is 25 percent of casing mass, that is, $M_{DUCT} \sim 0.25M_{CAS}$, the total regenerator mass M_{REG} becomes

$$M_{REG} = M_{COR} + M_{CAS} + M_{DUCT} \quad (22)$$

The above equations and procedures were programmed into a subroutine called RGNW of the previously mentioned BRMAPS code, which was then run in a standalone mode to generate the results discussed in the next section. Note that since regenerator effectiveness, ϵ_{RG} , was an input variable for these computations, the procedure to compute ϵ_{RG} for the recommended counterflow or crossflow recuperator configurations for desired N_{tu} values⁵ was not required for the subroutine. The procedure is however available as an option in the author's main program (BRMAPS).

VI. Regenerator Mass Results

Numerical results of regenerator mass are shown in Table I, which is an output by one of the author's subroutines on regenerator performance and specific mass, for He working fluid, as a function of regenerator effectiveness (ERG), stacking factor (STFRI), core material density (DENI), and overall heat transfer coefficient (UU). Resulting values are shown in columns 2 and 5, respectively, referring to specific heat transfer area and specific mass. Note that the first 10 rows of the table are displayed in English and the remaining rows in SI units. The units displayed in column 5 are identical to the SI and English unit portions of the table.

As a check on the internal dimensional consistency maintained during the calculations, the reader may easily verify that with constant overall heat transfer coefficients of 25 Btu/ft²-hr-R, which is identical to 142.08 W/m²-K. The numerical specific mass values are identical within roundoff error accuracy in both systems of units. The reason is that the units of lb/(lb/sec) and those of kg/(kg/sec) both reduce to units of seconds, so identical numerical values do result. The author has found that the practice of performing internal computations in two sets of units is an excellent way to ensure that no dimensional errors inadvertently were introduced into computational procedures. The accuracy of code output results can thus be validated to a higher degree of confidence level than would otherwise be the case. The SI portion of the tabulated results is plotted in Fig. (4), for a range of overall heat transfer coefficient values. This figure confirms the observations made regarding Eqs. (16) and (17), concerning the rapid increase of total surface area per unit mass flow, especially for regenerator effectiveness values greater than 0.8. This is because the surface area tends towards infinity as the effectiveness parameter is approaching unity. This is manifested by the heat exchanger surface area and mass doubling as the difference between 100 percent effectiveness and the design effectiveness is halved. Thus a recuperator having 95 percent effectiveness would have twice the surface area and mass required for 90 percent effectiveness. Similarly, an increase in effectiveness from 98 to 99 percent would require doubling the surface area and mass of the heat exchanger.

Table I: Regenerator Design Comparison in English and SI Units for He Working Fluid

REG.EFFCTNSS (ERG)	SPCFC AREA (SOW) (FT2-HR/LB)	STACK FCTR (STFRI) (FT2/FT3)	MATL DENSTY (DEN=DENI) (LBM/FT3)	SPCFC MASS (SMASS) -LB/(LB/SEC)	HT TRNSF COEFF. (UU)
.100	.00551	1000.0	243.5	5.80	25.00
.200	.01240	1000.0	243.5	13.04	25.00
.300	.02125	1000.0	243.5	22.36	25.00
.400	.03306	1000.0	243.5	34.78	25.00
.500	.04959	1000.0	243.5	52.17	25.00
.600	.07439	1000.0	243.5	78.25	25.00
.700	.11572	1000.0	243.5	121.72	25.00
.800	.19837	1000.0	243.5	208.67	25.00
.900	.44633	1000.0	243.5	469.51	25.00
.950	.94226	1000.0	243.5	991.18	25.00

REG.EFFCTNSS (ERG)	SPCFC AREA (SOW) (M2-SEC/KG)	STACK FCTR (STFRSI) (M2/M3)	MATL DENSTY (DENSI) (KGM/M3)	SPCFC MASS (SMASS) KG/(KG/SEC)	HT TRNSF COEFF. (UUS) (J/(M2-SEC-K) (W/M2-K)
.100	4.06	3280.8	3900.0	5.80	142.08
.200	9.14	3280.8	3900.0	13.04	142.08
.300	15.67	3280.8	3900.0	22.35	142.08
.400	24.38	3280.8	3900.0	34.77	142.08
.500	36.56	3280.8	3900.0	52.16	142.08
.600	54.84	3280.8	3900.0	78.23	142.08
.700	85.31	3280.8	3900.0	121.70	142.08
.800	146.25	3280.8	3900.0	208.62	142.08
.900	329.07	3280.8	3900.0	469.41	142.08
.950	694.70	3280.8	3900.0	990.97	142.08

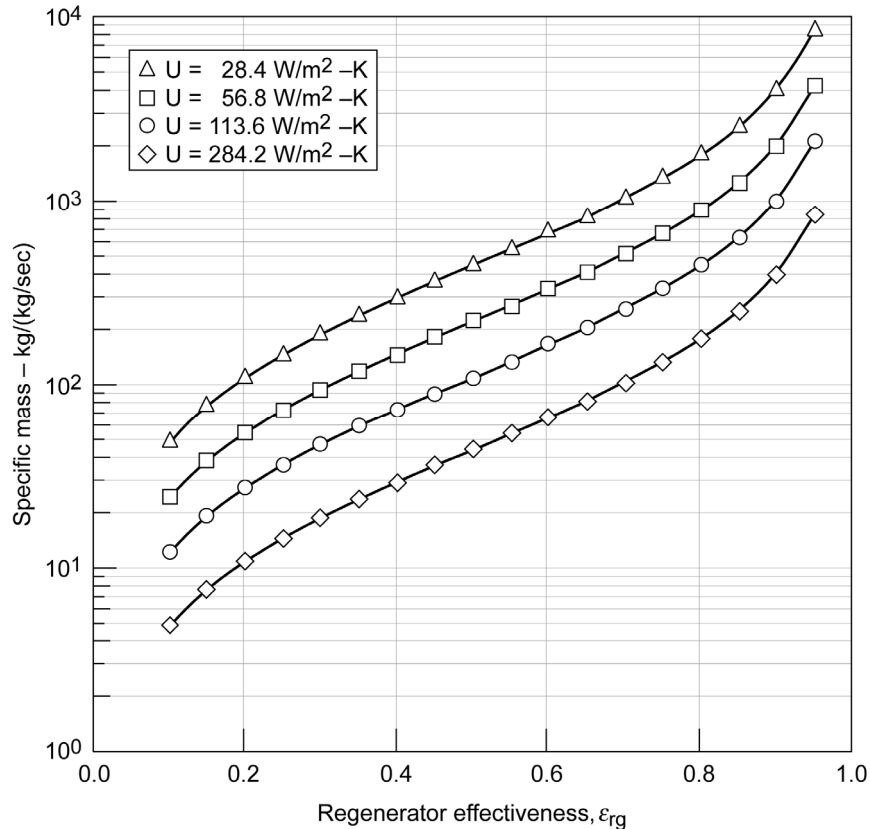


Figure 4. Regenerator specific mass as a function of effectiveness with heat transfer coefficient U as a parameter.

The curve for the low heat transfer coefficient values shown in Fig. 4 is representative for conventional heat exchangers with multiple staggered tube rows. Space power systems will need regenerators utilizing the plate-fin heat exchanger design concept with the capability to raise the heat transfer coefficient values to over $280 \text{ W/m}^2\text{-K}$ ($50 \text{ Btu/hr-ft}^2\text{-F}$). The dramatic reduction in regenerator weight for the higher heat transfer coefficient values can be readily deduced from the figure. Furthermore, it needs to be pointed out that the regenerator core density value was based on use of high-temperature metal alloys with values of $\sim 3900 \text{ kg/m}^3$ (see Table I). Future use of high thermal conductivity composite materials may reduce this value by a factor of three or more. Such a breakthrough will be of great value in further reducing the mass (weight) for heat exchange components of space-based systems.

VII. Comparative Cycle Performance

Having determined the mass penalty on CBC space power systems due to incorporation of a recuperator (i.e., regenerative heat exchanger) in the energy conversion cycle, tradeoff studies on regenerated versus non-regenerated cycles require relevant information on how regenerators designed for a range of effectiveness values will enhance cycle efficiency. Figure 5 shows results of thermodynamic cycle efficiency as a function of compressor pressure ratio for He working fluid with regenerator effectiveness, ERG, as a parameter. These results were obtained using the author-developed CBC code, referred to as BRMAPS.⁹ Cycle performance for cycle temperature ratios of 3.0 and 4.0 are shown in Fig. 5(a) and (b), respectively.

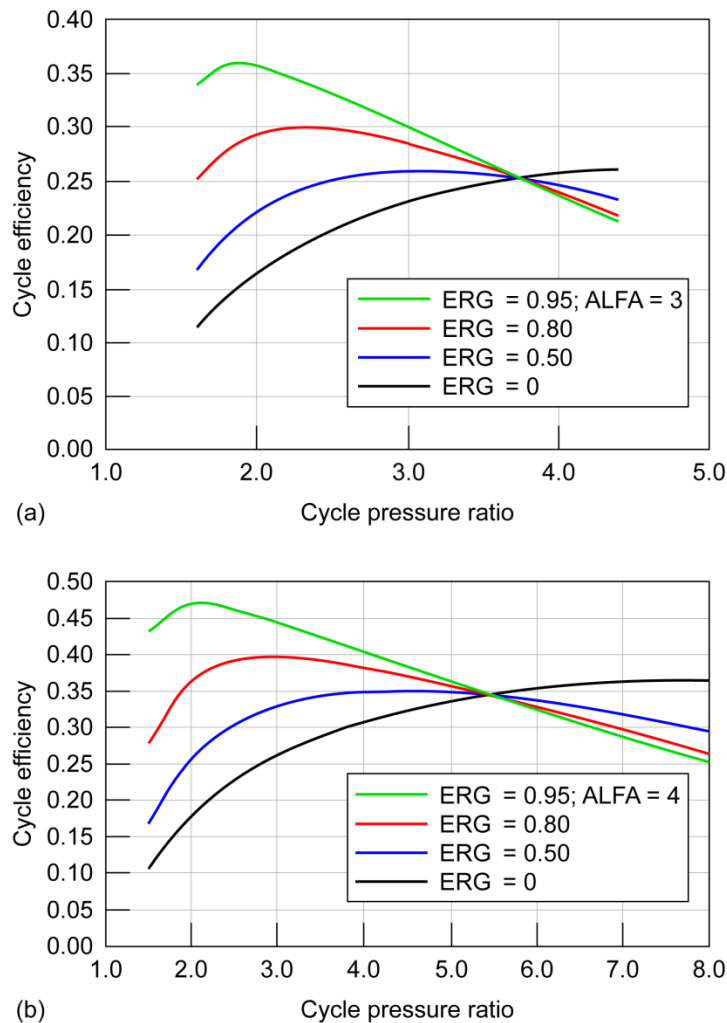


Figure 5. Thermodynamic efficiency of Brayton cycles at various regenerator effectiveness values and operating conditions with He working fluid. (a) Temperature ratio 3.0. (b) Temperature ratio 4.0.

It should be noted that due to the increased cycle pressure drop of the highly regenerated cycle ($ERG = 0.95$), the turbine pressure ratio was set at only 94 percent of the compressor pressure ratio, implying a loss pressure ratio ($LPR = 0.94$) for a well designed regenerator. For the non-regenerated cycle ($ERG = 0$), the turbine pressure ratio was 98 percent of that developed by the compressor, and the LPR parameter was set proportionately between these values for the lower ERG parameters shown. The reader may surmise that an excessively high regenerator pressure loss would negate the increase in cycle efficiency obtained by regeneration. This is indeed a correct conclusion. If the LPR parameter is set to 0.8, implying a 20 percent pressure loss, the efficiency for 95 percent effectiveness would be no higher than that obtained for the non-regenerated cycles.

Regarding Fig. 5, note that cycle efficiency is raised considerably as regenerator effectiveness (ERG) is varied from 0, indicating no regeneration, to 0.95 (i.e., 95 percent) at pressure ratios below a certain threshold, or crossover value, which is ~ 3.7 for τ_c ($ALFA$) = 3.0 and ~ 5.4 for $ALFA = 4.0$. Detailed numerical calculations of cycle state point temperatures confirm that the crossover pressure ratios designate conditions at which the turbine exit gas temperatures (T_{OT}) are exactly equal to temperatures at the compressor discharge, and thus, there is no heat transfer from the turbine discharge gas stream to the compressor stream. Hence, all cycles will have the same efficiency, regardless of regenerator effectiveness. For pressure ratios above the crossover value, the efficiency of the nonregenerated cycle will exceed that of the regenerated cycles with the highest effectiveness regenerator incurring the largest efficiency penalty.

Additional observations that can be gleaned from Fig. 5 show that the pressure ratio at which the highest cycle efficiency is obtained becomes progressively lower with increasing effectiveness ($\epsilon_{RG} = ERG$). Thus, for a cycle temperature ratio of 3.0 (Fig. 5 (a)), the optimum pressure ratio is approximately 1.8 for an ϵ_{RG} of 0.95, yielding an efficiency of about 0.36 (i.e., 36 percent). But for the lower ERG value of 0.80 the pressure ratio optimum rises to ~ 2.20 , at which an efficiency of only 30 percent is obtained. The reader may also note that as the cycle temperature ratio is raised to 4.0, efficiency values increase by ~ 10 percent and the optimum pressure ratios shift to the right by increments that are in inverse relation to the ERG value. The increase in cycle efficiency between the non-regenerated case ($ERG = 0$) and the highest regenerated cycle ($ERG = 0.95$) at the optimum pressure ratios for each is about 10 percent for each temperature ratio. Note that tradeoff studies of cycle efficiency versus regenerator mass also need to take into account that, whereas centrifugal turbomachinery may be sufficient for the relatively low pressure ratios required for highly regenerated cycles, the higher optimum pressure ratios for the non-regenerated machines may require multistage axial turbines and compressors. These, however, have a higher component (i.e., polytropic) efficiency, which may significantly reduce or even negate the efficiency advantage of regenerated cycles. Detailed tradeoff studies will require accurate performance turbomachine specifications.

VIII. Concluding Remarks

A computational procedure for the determination of CBC (closed Brayton cycle) recuperator mass and an accompanying computer subroutine were developed for incorporation in a previously written gas turbine code. Relevant equations were derived for computing the total heat exchanger surface area requirements as a function of overall heat transfer coefficient, plate-fin material thermal conductivity, and gas turbine mass flow rate. Relevant results on recuperator mass per unit CBC flow rate (in $kg/(kg/sec)$ or $lb/(lb/sec)$) as a function of effectiveness with overall heat transfer coefficient as a parameter were shown (Fig. 4). As expected, as effectiveness values approach unity, or 100 percent, the required surface area and hence, heat exchanger mass tends toward infinity since heat transfer at near-zero temperature difference is implied. The beneficial effect of regeneration on CBC thermodynamic efficiency was also shown (Fig. 5), especially for low-cycle pressure ratios, where the temperature of the turbine exit flow significantly exceeds that of the compressor. The requirement for low regenerator pressure loss (<6 percent) was also implied in the results shown in Fig. 5.

Comparison of Figs. 4 and 5 should permit meaningful tradeoff studies on the efficacy of regeneration for selected operating conditions. To verify the dimensional accuracy of the regenerator mass computational procedure, all calculation steps for a regenerator's specific mass, that is, heat exchanger weight per unit working fluid mass flow are performed in both English and SI units. Identical numerical values for the specific mass parameter, whether expressed in $lb/(lb/sec)$ or $kg/(kg/sec)$, show the dimensional consistency of overall results.

Acknowledgments

This work was supported by the Power and On-Board Propulsion Division, Thermal Energy Conversion Systems Branch at NASA GRC.

References

- ¹Ackeret J. C.: “Aerodynamische Waermekraftanlage mit geschlossenem Kreislauf,” VDI.85 (1941) No. 22, pp. 491–500.
- ²McDonald, C.F.: “The Key Role of Heat Exchangers in Advanced Gas Cooled Reactor Plants,” *Heat Recovery Systems & CHP*, Vol. 14, No. 1, pp. 7–24, 1994
- ³Juhasz, A. J., Rarick, R. A., and Rangarajan, R.: “High Efficiency Nuclear Power Plants using Liquid Fluoride Thorium Reactor Technology,” AIAA Paper 2009-4565. Presented at the 7th IECEC, August 2–5, 2009, Denver, CO.
- ⁴Zucrow, M. J.: “Aircraft and Missile Propulsion-Vol. II,” John Wiley & Sons Inc., New York, 1958.
- ⁵Kays, W. M. and London A. L.: “Compact Heat Exchangers,” McGraw-Hill Book Company, Inc., 1984.
- ⁶McAdams, W. H.: “Heat Transmission,” McGraw-Hill Book Company, Inc., 1954.
- ⁷Sparrow, E. M. and Liu, C. H.: “Heat Transfer, Pressure Drop and Performance Relationship for In-Line, Staggered and Continuous Plate Heat Exchangers,” *Int. Journal of Heat & Mass Transfer*, Vol. 22, pp. 1613–1625, 1979.
- ⁸Sunden, B. and Faghri, M., eds.: “Heat Transfer in Gas Turbines,” MIT Press, Boston, 2001.
- ⁹Juhasz, A. J.: “Analysis and Numerical Optimization of Gas Turbine Space Power Systems with Nuclear Fission Reactor Heat Sources,” Doctoral Dissertation, Cleveland State University, May 25, 2005.
- ¹⁰Juhasz, A. J.: “Multi-Megawatt Gas Turbine Power Systems for Lunar Colonies,” NASA/TM—2006-214658, Dec. 2006.