



US008264134B2

(12) **United States Patent**  
**Tuma et al.**

(10) **Patent No.:** **US 8,264,134 B2**  
(45) **Date of Patent:** **Sep. 11, 2012**

(54) **ULTRAMINIATURE BROADBAND LIGHT SOURCE WITH SPIRAL SHAPED FILAMENT**

(56) **References Cited**

(75) Inventors: **Margaret L. Tuma**, Strongsville, OH (US); **Joseph S. Collura**, Lakewood, OH (US); **Henry Helvajian**, Pasadena, CA (US); **Michael D. Pocha**, Livermore, CA (US); **Glenn A. Meyer**, Danville, CA (US); **Charles F. McConaghy**, Livermore, CA (US); **Barry L. Olsen**, Oakdale, CA (US); **William W Hansen**, Lakewood, CA (US)

(73) Assignee: **The United States of America as Represented by the Administrator of National Aeronautics and Space Administration**, Washington, DC (US)

(\* ) Notice: Subject to any disclaimer, the term of this patent is extended or adjusted under 35 U.S.C. 154(b) by 0 days.

(21) Appl. No.: **12/795,356**

(22) Filed: **Jun. 7, 2010**

(65) **Prior Publication Data**

US 2011/0006663 A1 Jan. 13, 2011

**Related U.S. Application Data**

(63) Continuation of application No. 11/625,545, filed on Jan. 22, 2007, now Pat. No. 7,755,292.

(51) **Int. Cl.**

**H01J 17/04** (2006.01)

**H01J 61/04** (2006.01)

(52) **U.S. Cl.** ..... **313/344**; 313/326; 313/331; 313/333; 313/341; 313/272

(58) **Field of Classification Search** ..... 313/631, 313/326, 331, 333, 341, 344

See application file for complete search history.

U.S. PATENT DOCUMENTS

3,604,971	A *	9/1971	Tracy	313/522
4,563,617	A *	1/1986	Davidson	315/312
5,343,112	A *	8/1994	Wegmann et al.	313/346 R
5,493,177	A *	2/1996	Muller et al.	313/578
5,946,083	A *	8/1999	Melendez et al.	356/73
5,955,839	A *	9/1999	Jaffe et al.	313/578
5,956,003	A *	9/1999	Fisher	345/73
6,555,948	B1 *	4/2003	Noll	313/112
6,796,866	B2 *	9/2004	George et al.	445/23
6,812,626	B2 *	11/2004	Perlo et al.	313/316
7,368,870	B2 *	5/2008	Wang	313/580
2003/0025429	A1 *	2/2003	Hell et al.	313/310
2003/0041649	A1 *	3/2003	George et al.	73/24.02
2003/0227243	A1 *	12/2003	Perlo et al.	313/316
2004/0070324	A1 *	4/2004	Lisitsyn	313/271
2004/0250589	A1 *	12/2004	Hogan et al.	72/194
2005/0173411	A1 *	8/2005	Goto	219/543
2007/0205709	A1 *	9/2007	Kato	313/495

\* cited by examiner

*Primary Examiner* — Anne Hines

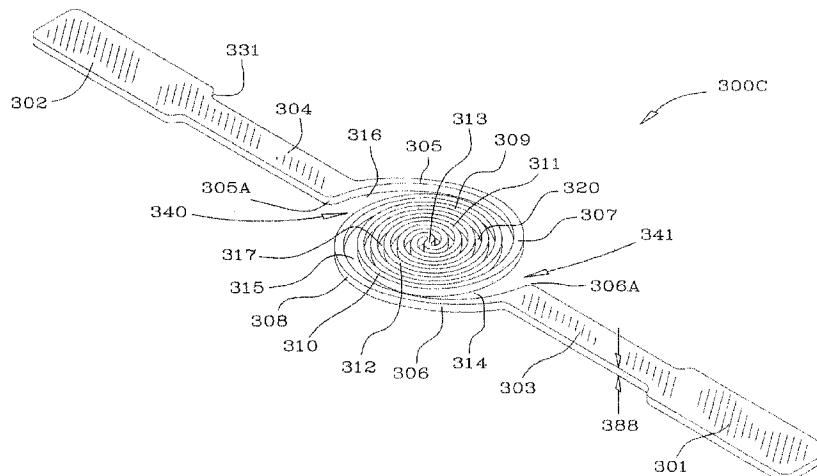
*Assistant Examiner* — Jacob R Stern

(74) *Attorney, Agent, or Firm* — Robert H. Earp, III

(57) **ABSTRACT**

An ultraminiature light source using a double-spiral shaped tungsten filament includes end contact portions which are separated to allow for radial and length-wise unwinding of the spiral. The double-spiral filament is spaced relatively far apart at the end portions thereof so that contact between portions of the filament upon expansion is avoided. The light source is made by fabricating a double-spiral ultraminiature tungsten filament from tungsten foil and housing the filament in a ceramic package having a reflective bottom and a well wherein the filament is suspended. A vacuum furnace brazing process attaches the filament to contacts of the ceramic package. Finally, a cover with a transparent window is attached onto the top of the ceramic package by solder reflow in a second vacuum furnace process to form a complete hermetically sealed package.

**10 Claims, 21 Drawing Sheets**



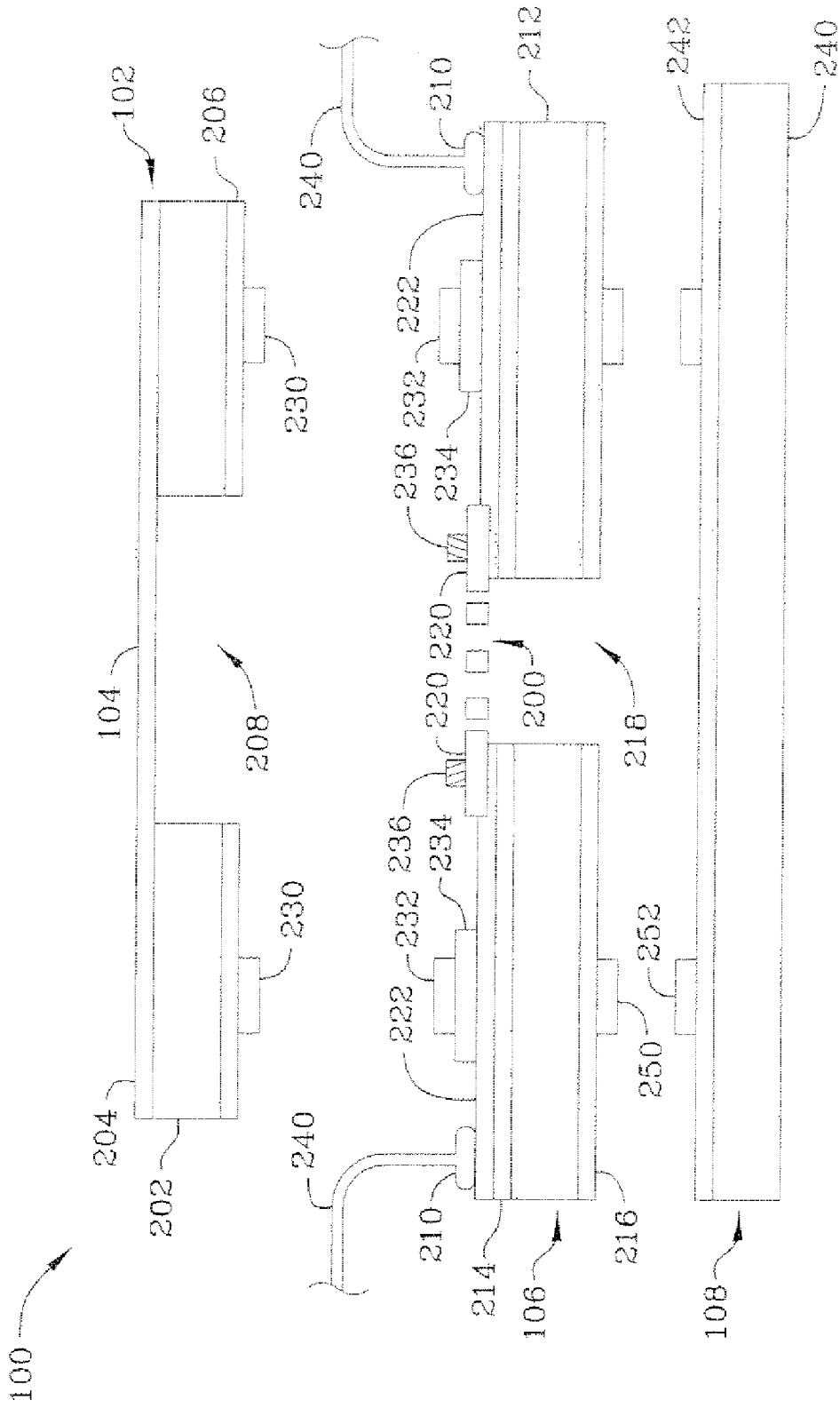


FIG. 1 (PRIOR ART)

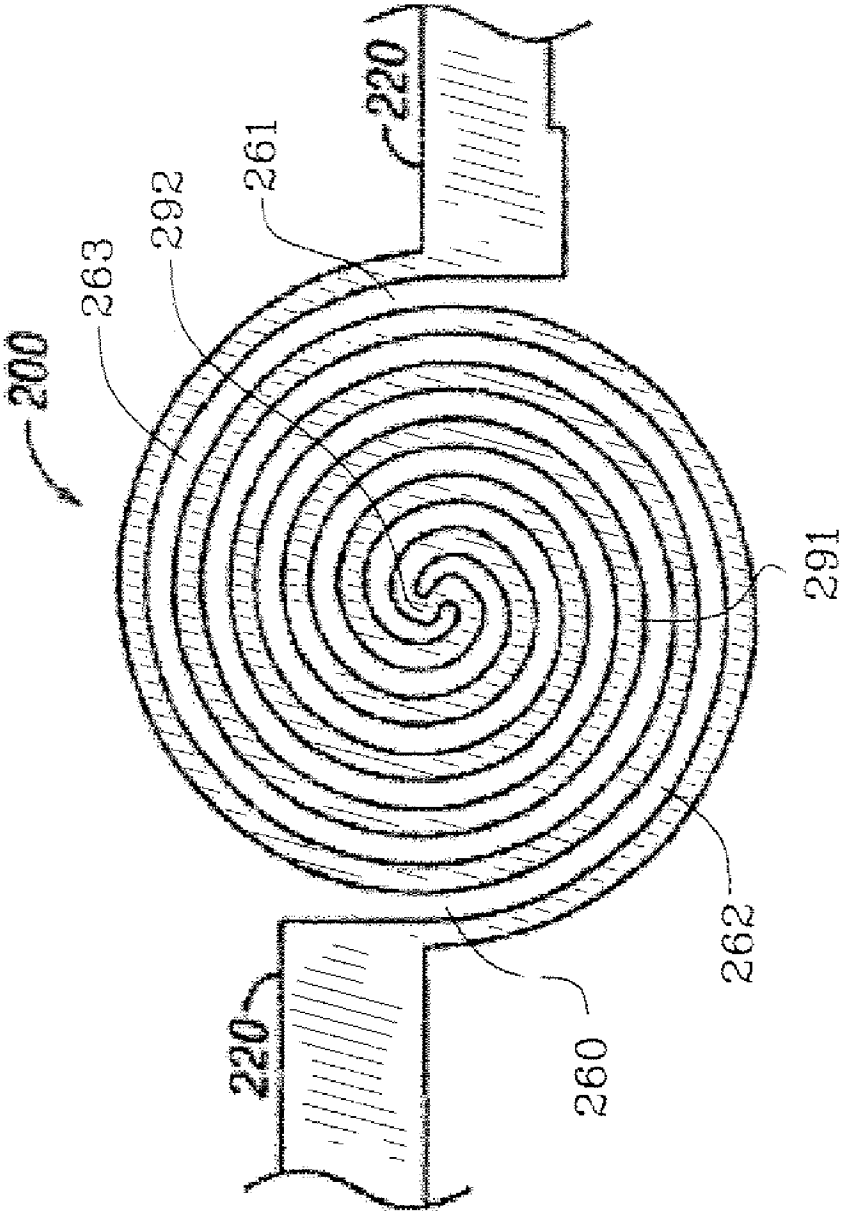


FIG. 2 (PRIOR ART)

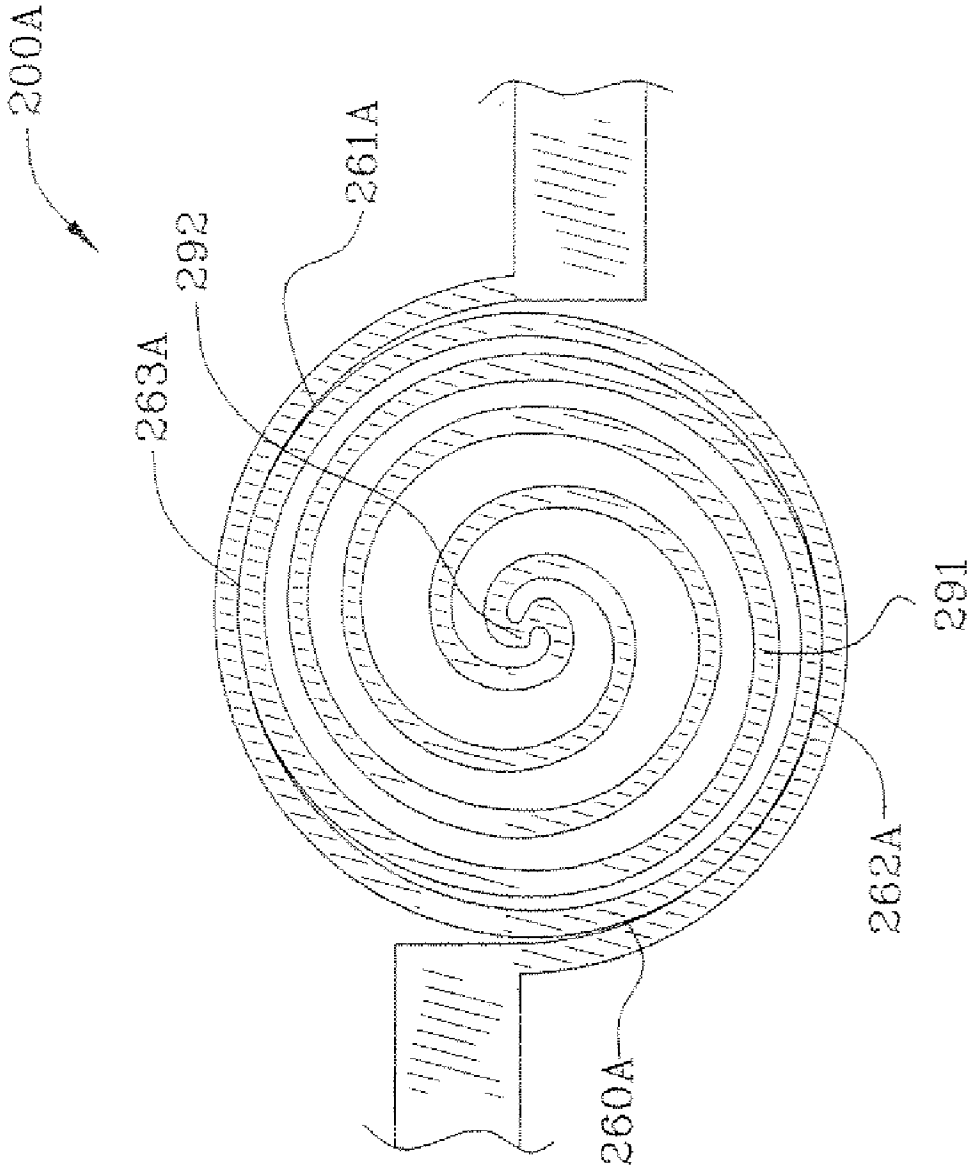


FIG. 2A (PRIOR ART)

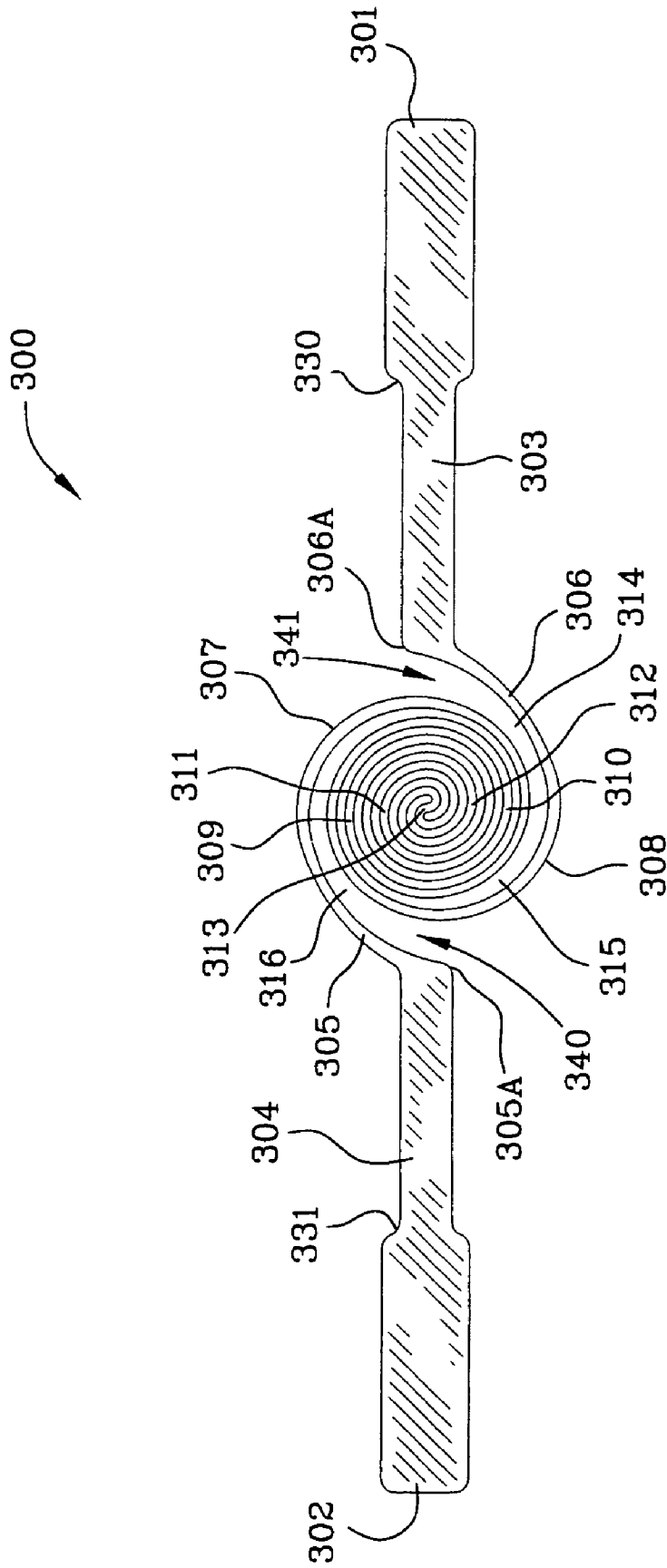


FIG. 3

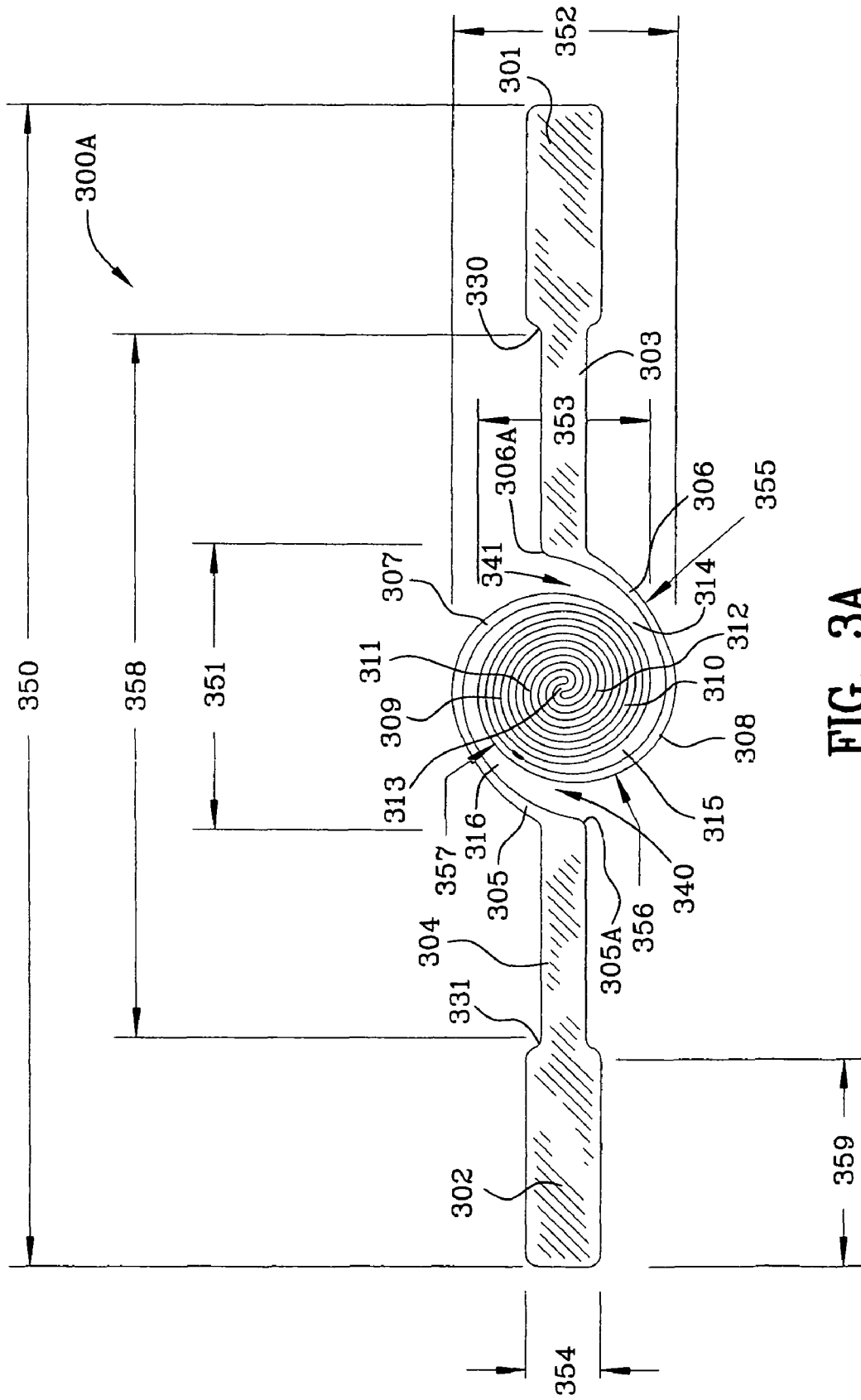


FIG. 3A

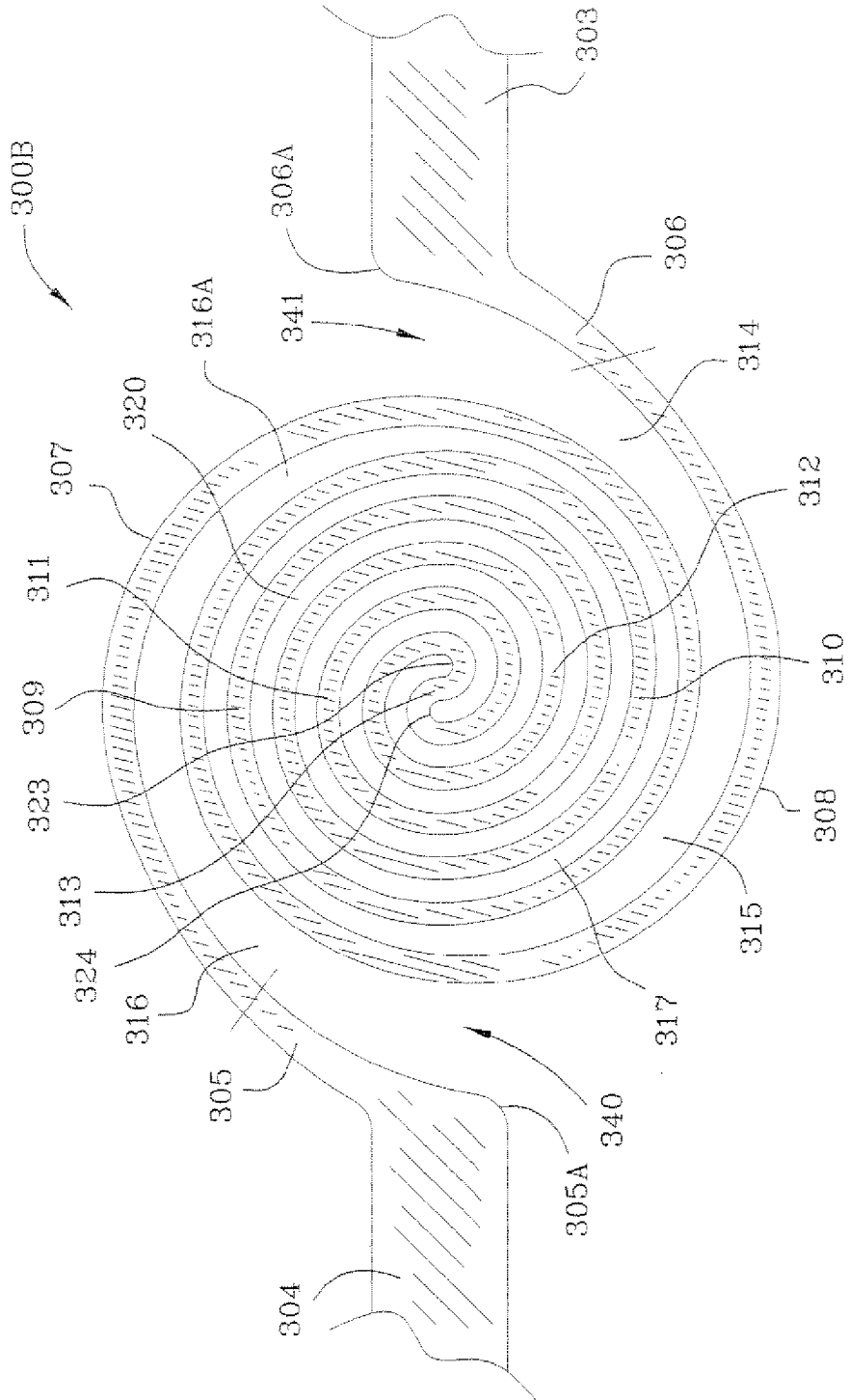


FIG. 3B

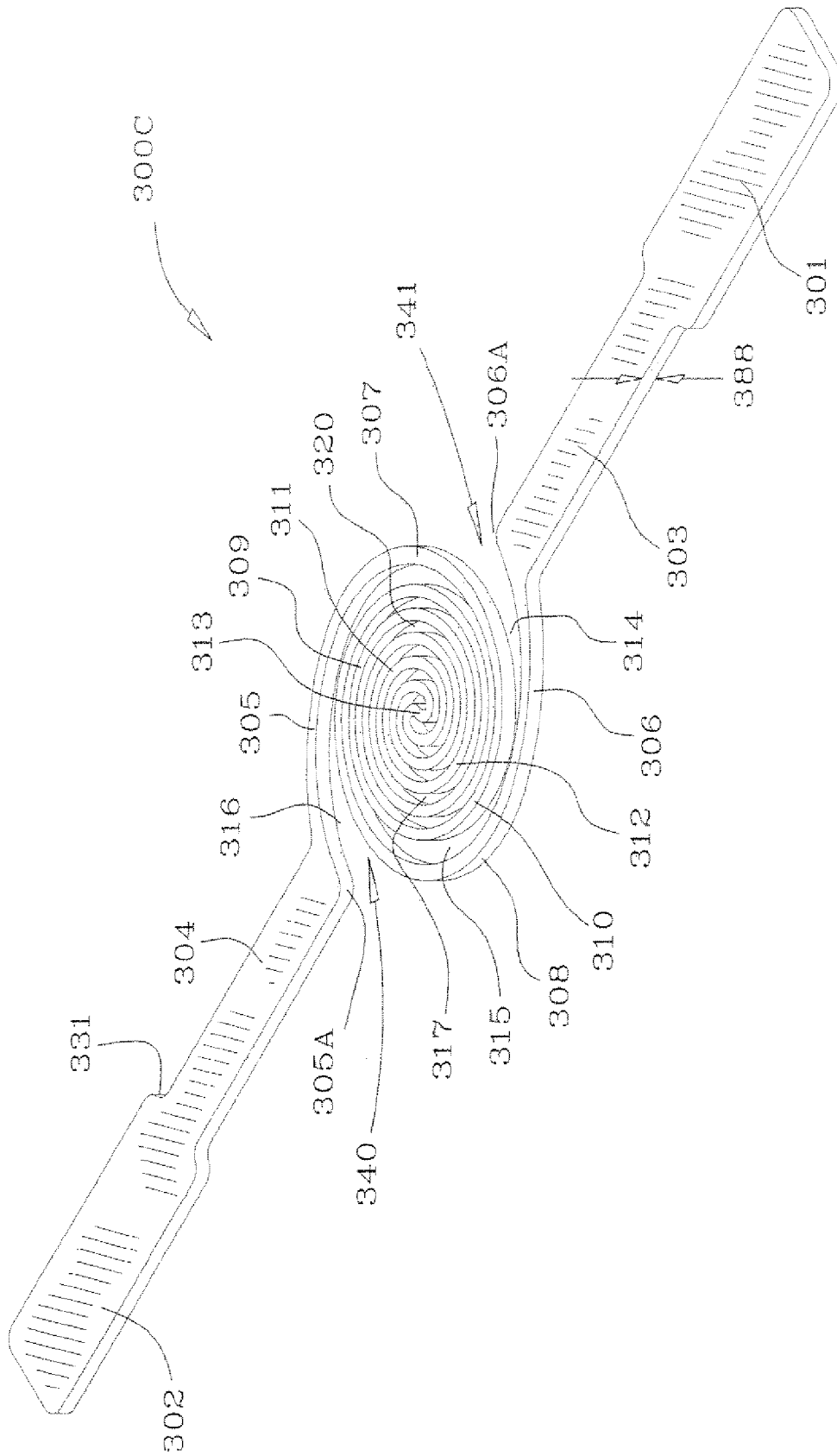


FIG. 3C



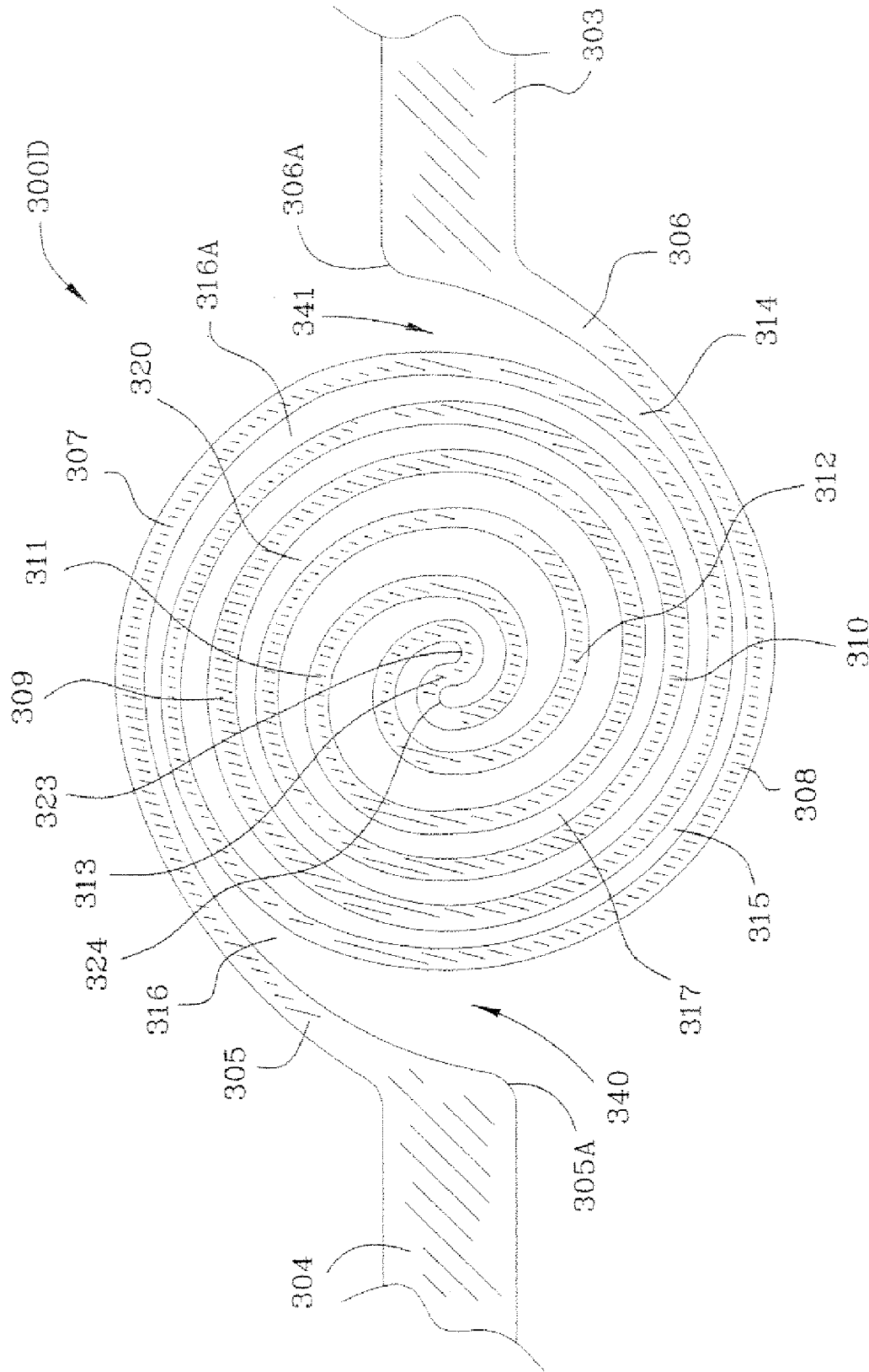


FIG. 3D

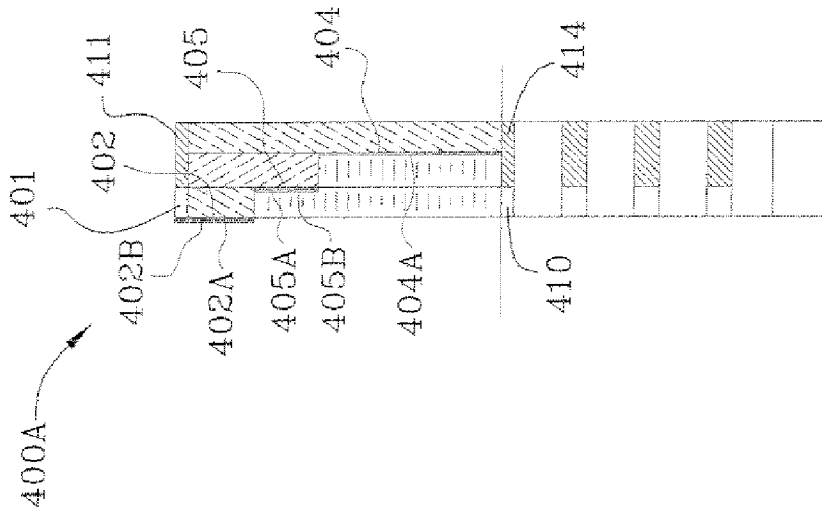


FIG. 4A

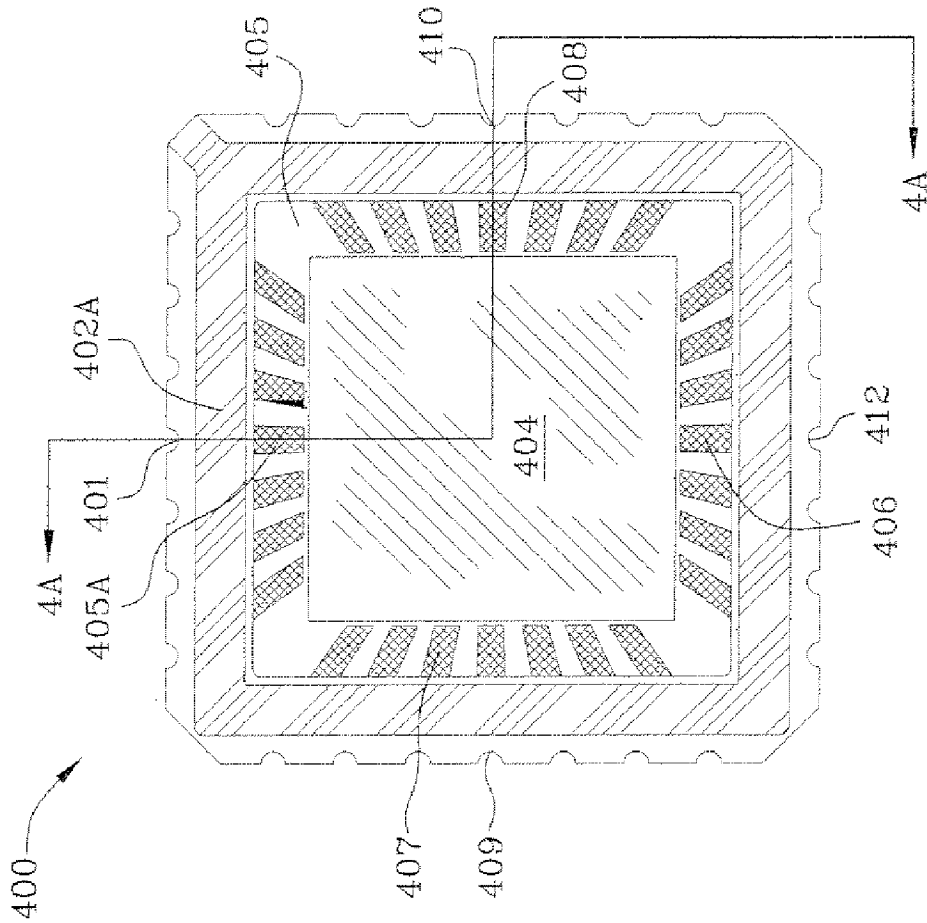


FIG. 4

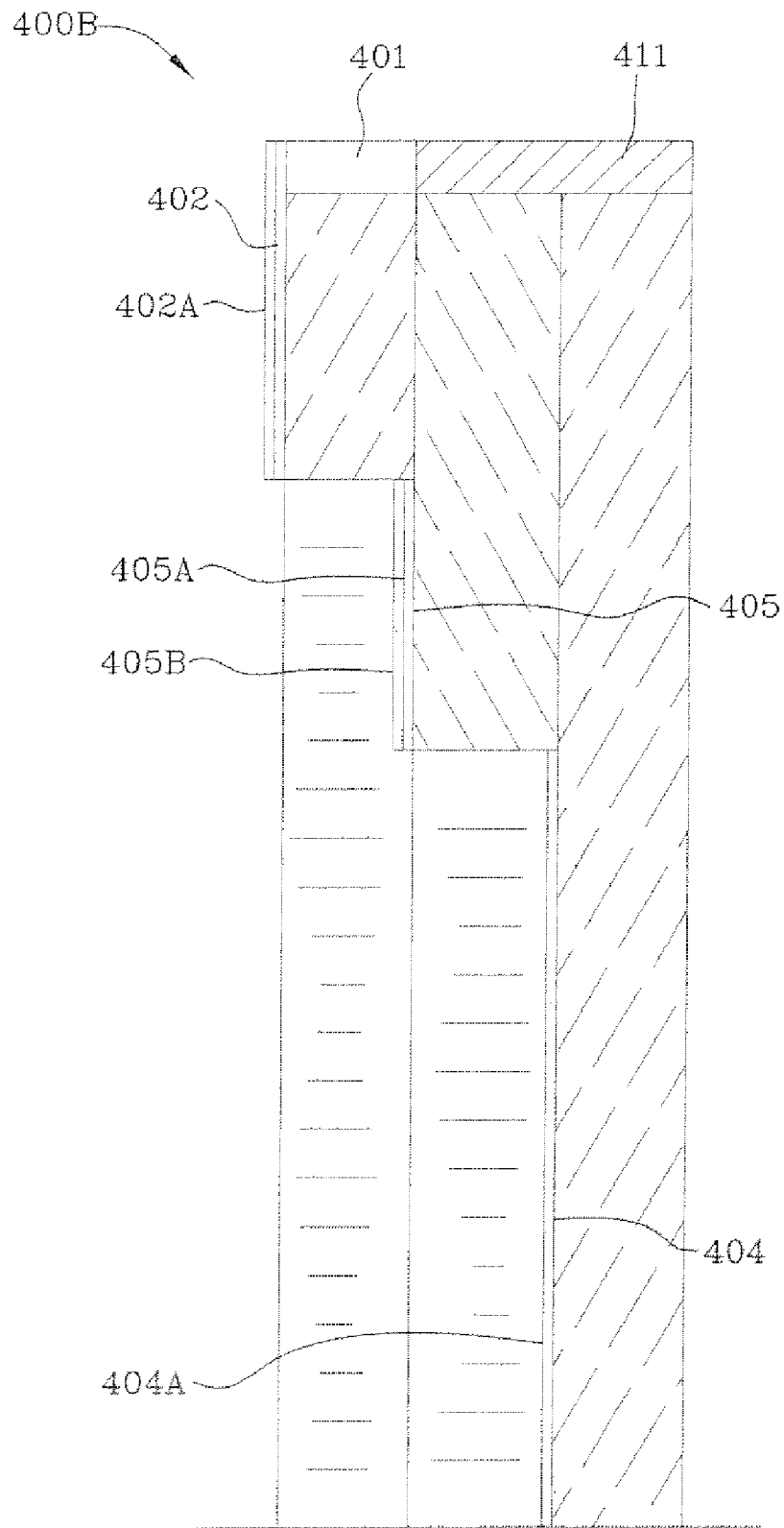


FIG. 4B

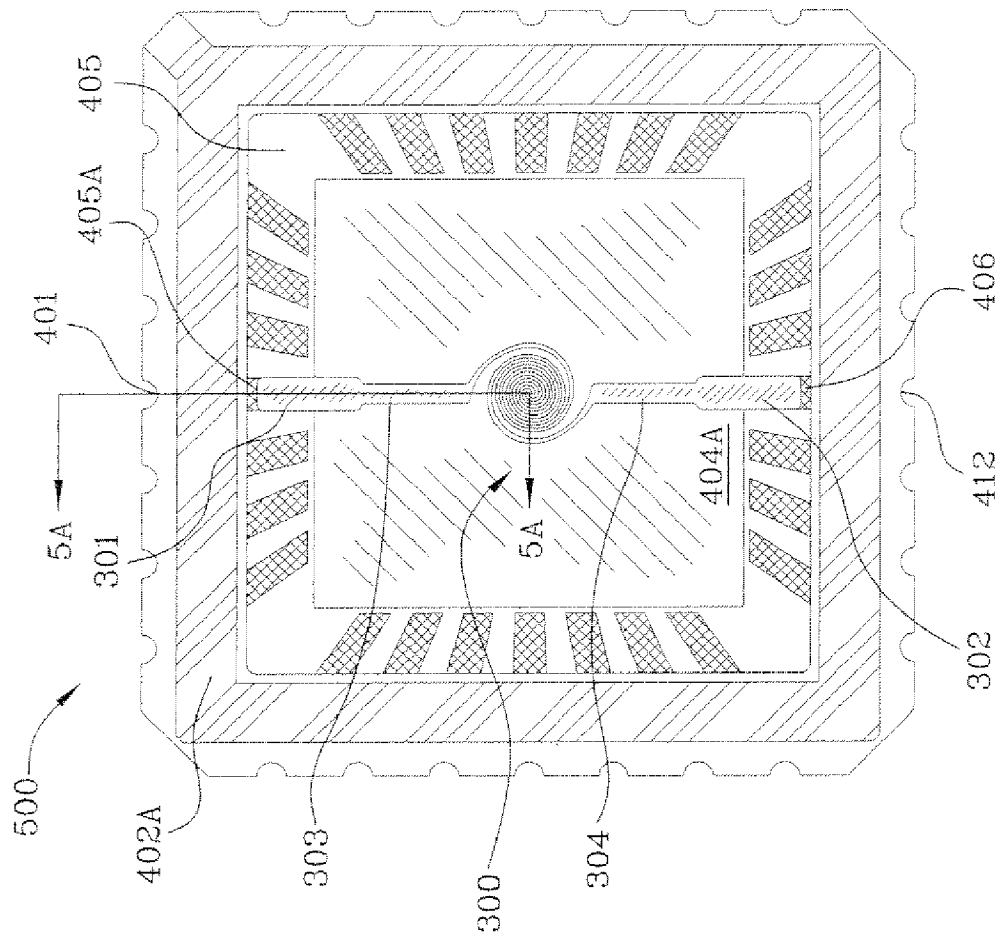


FIG. 5

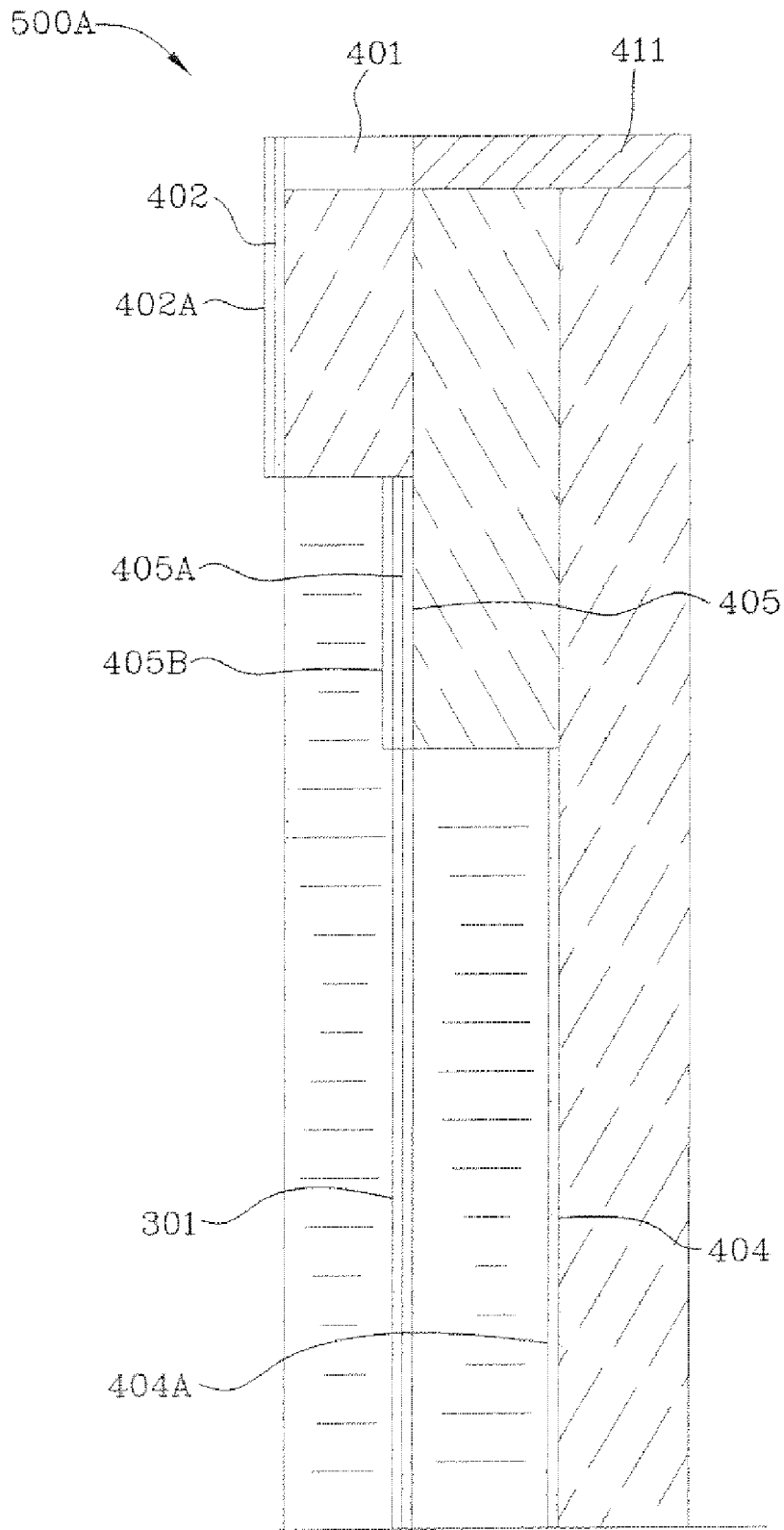
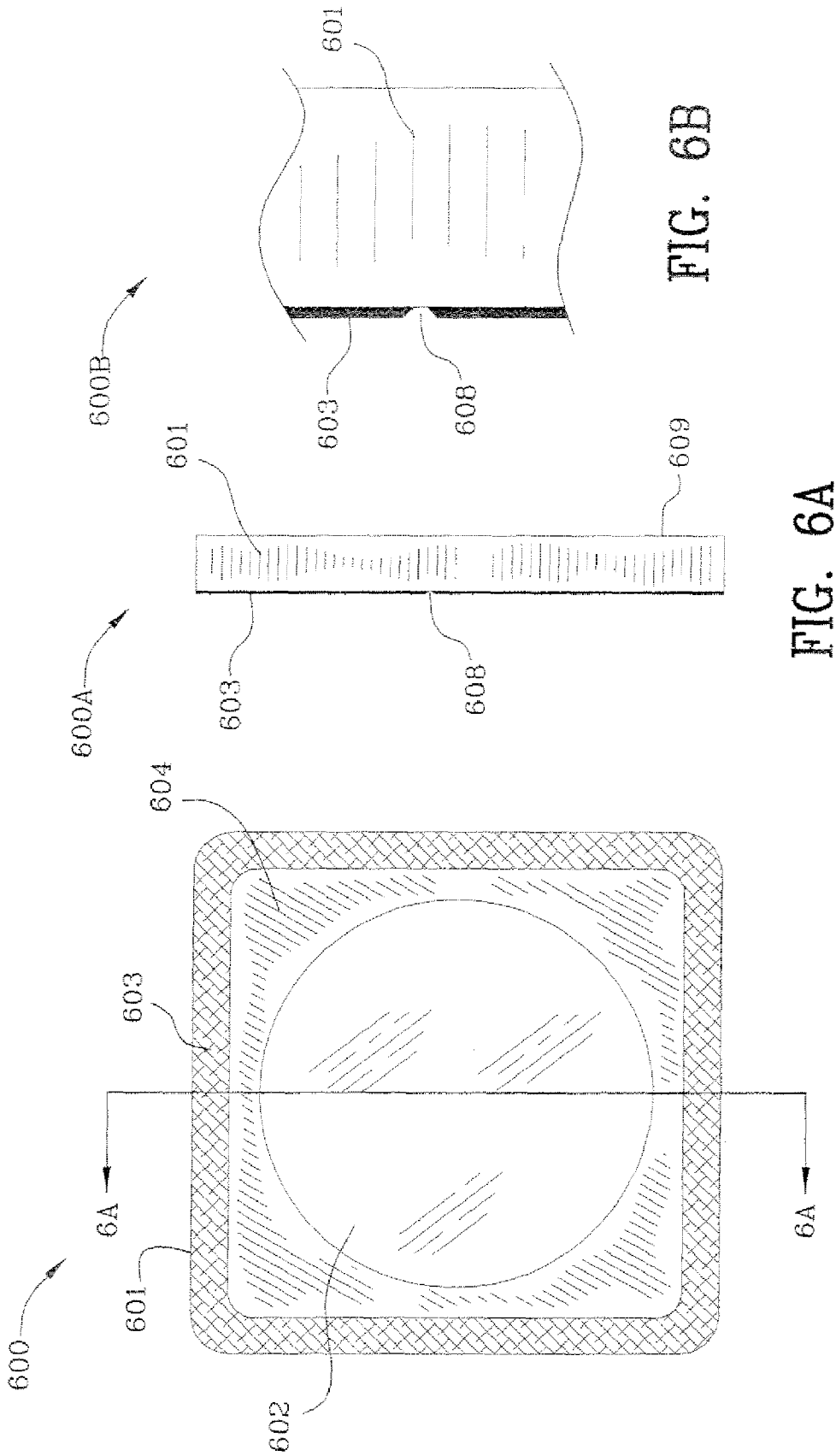


FIG. 5A



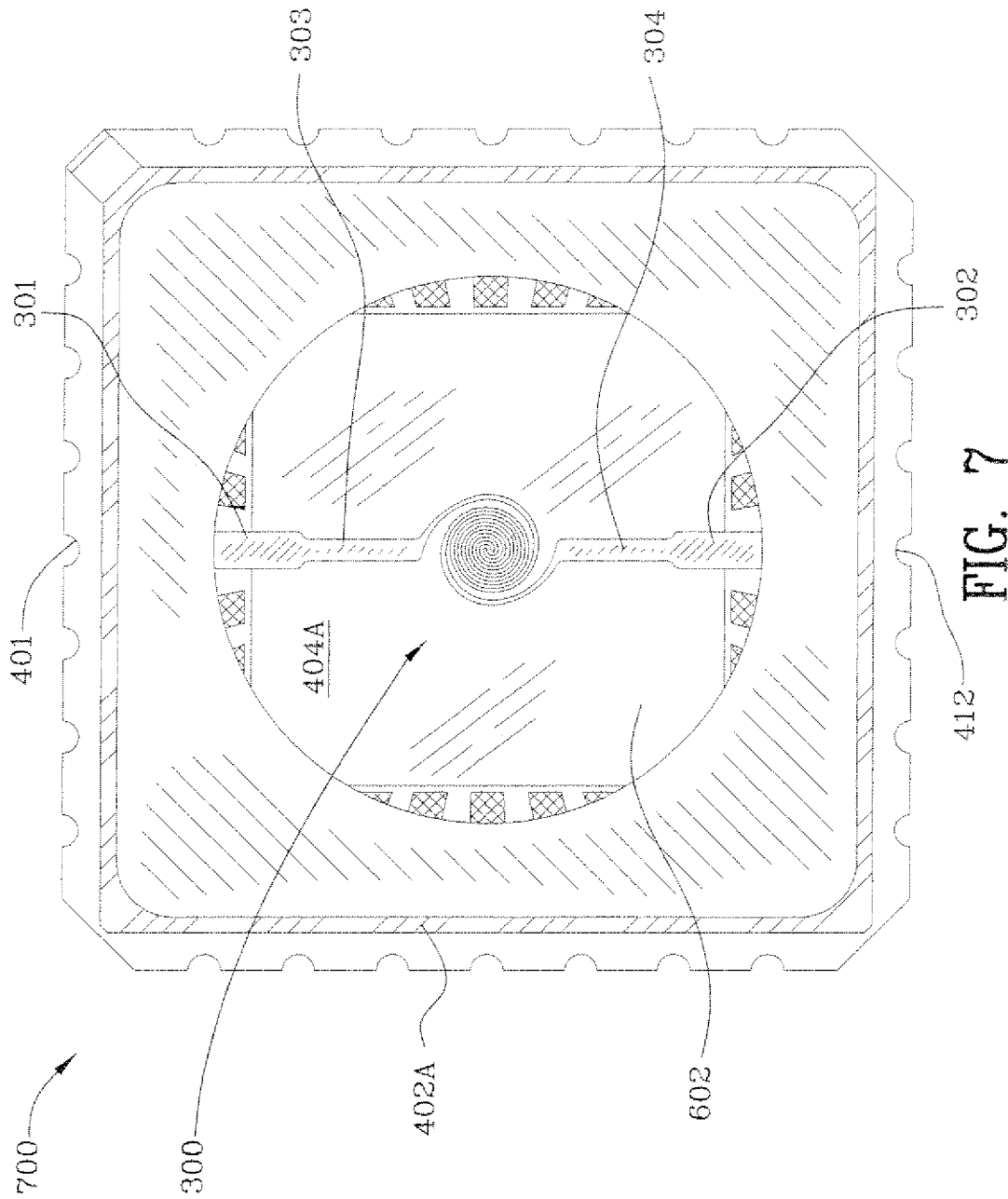


FIG. 7

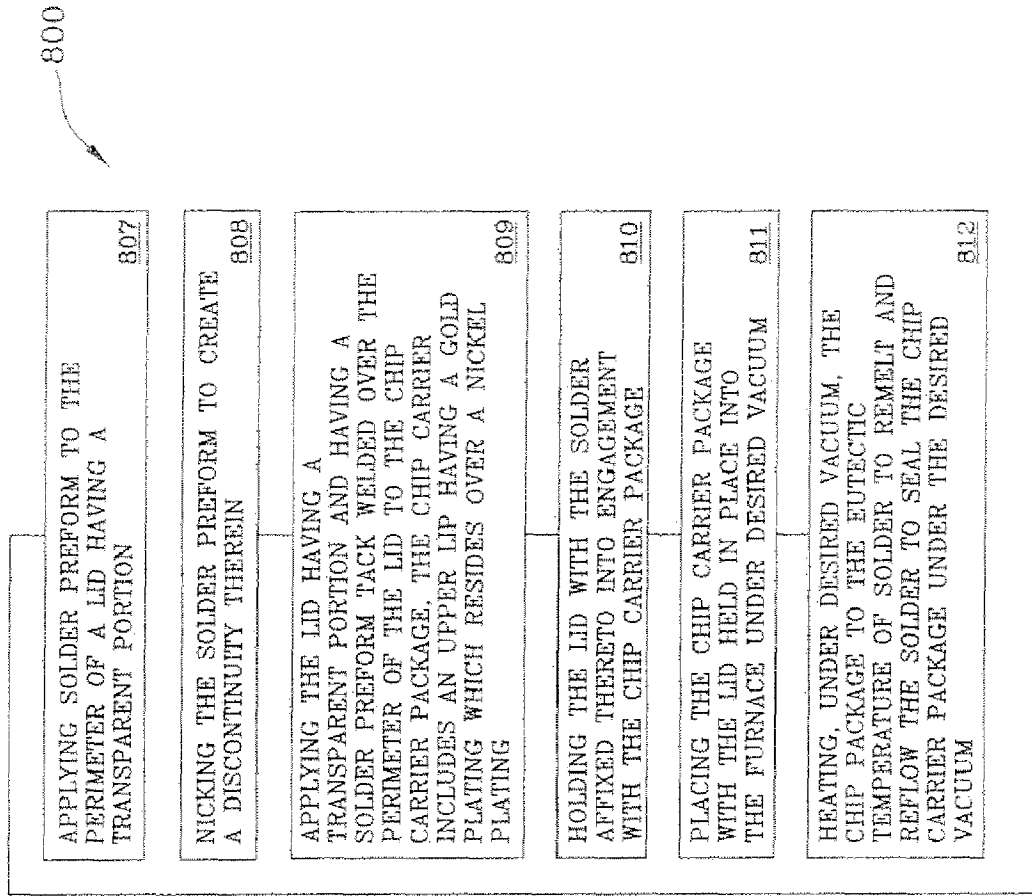


FIG. 8



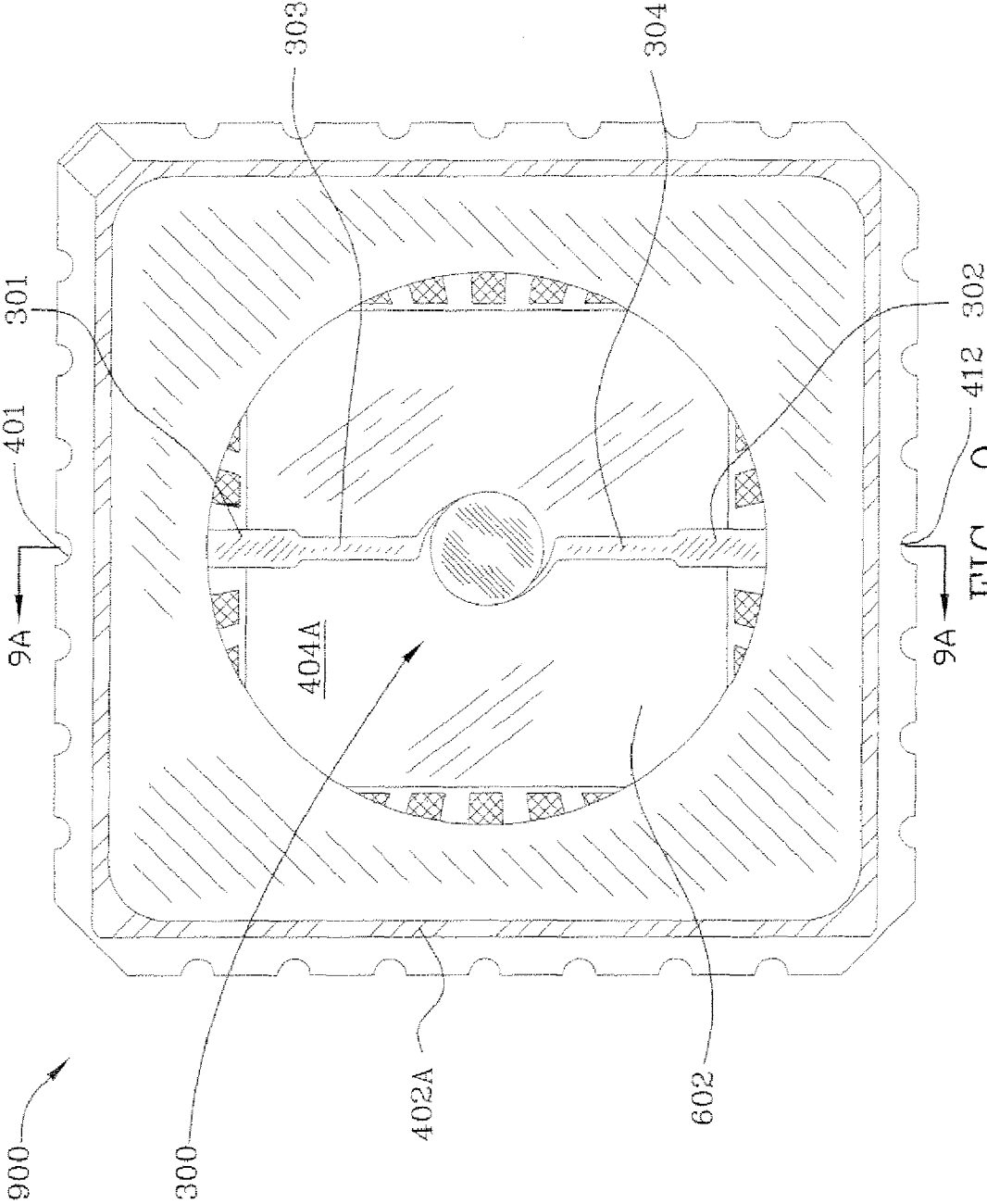


FIG. 9

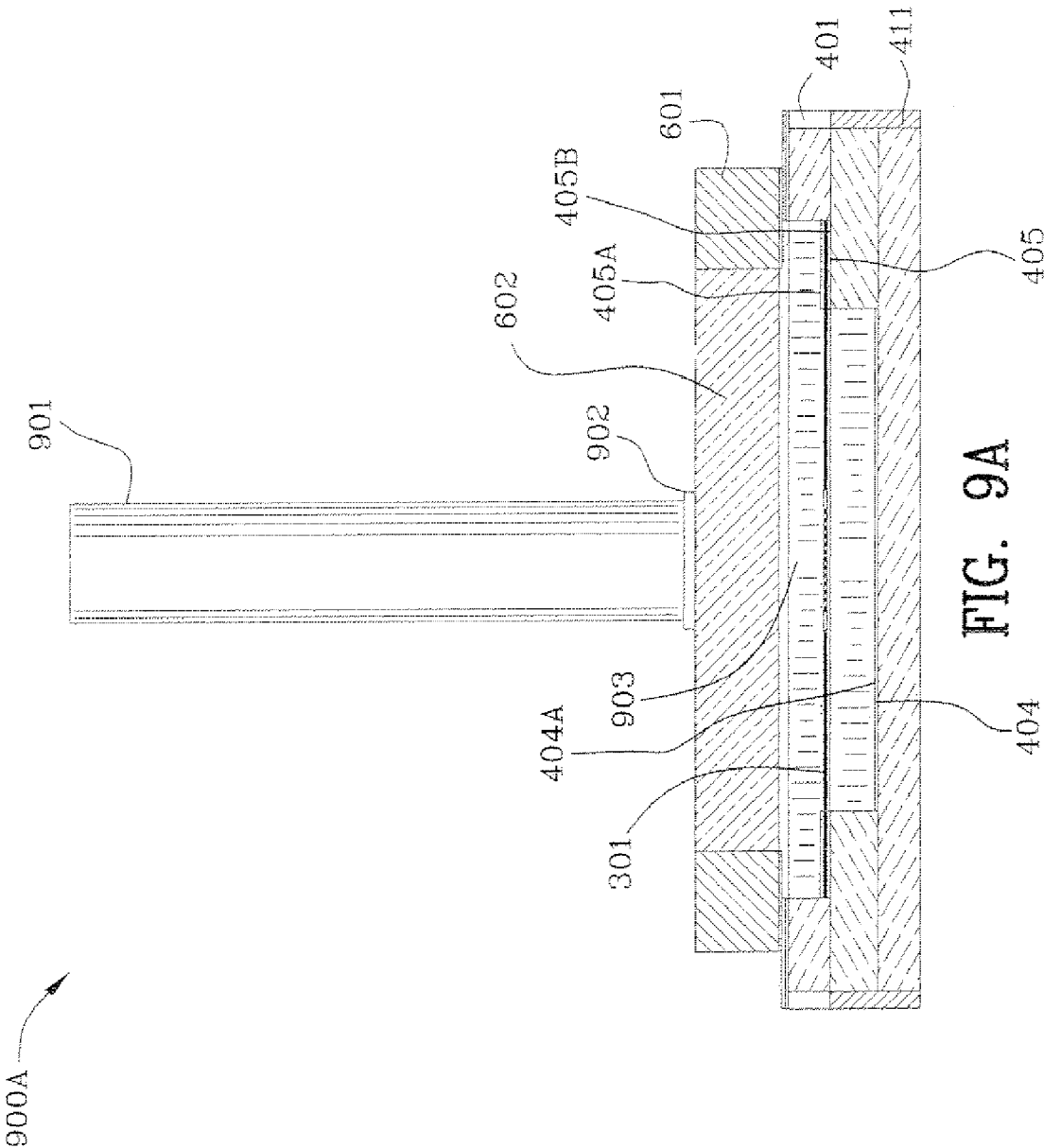


FIG. 9A

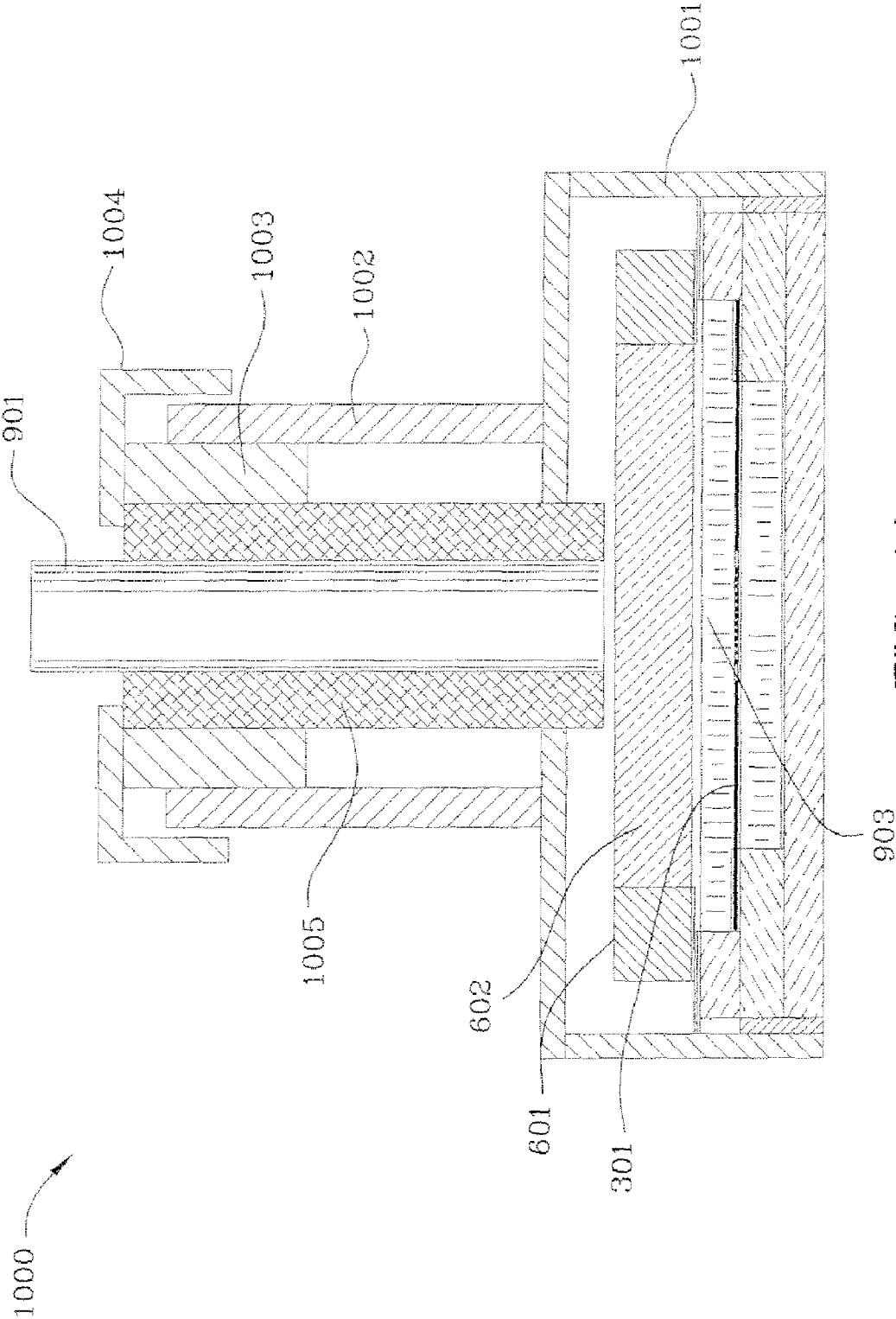


FIG. 10

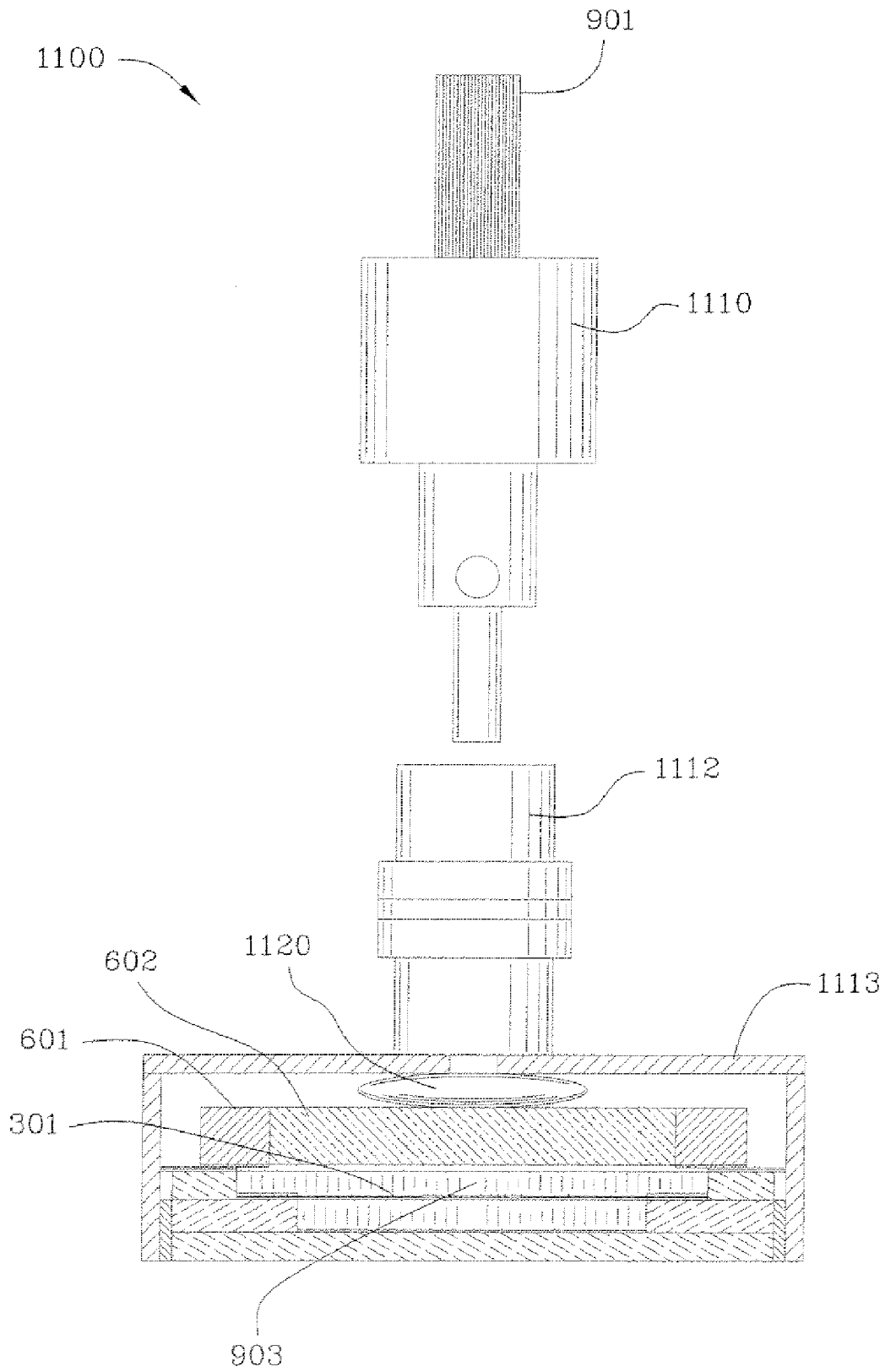


FIG. 11

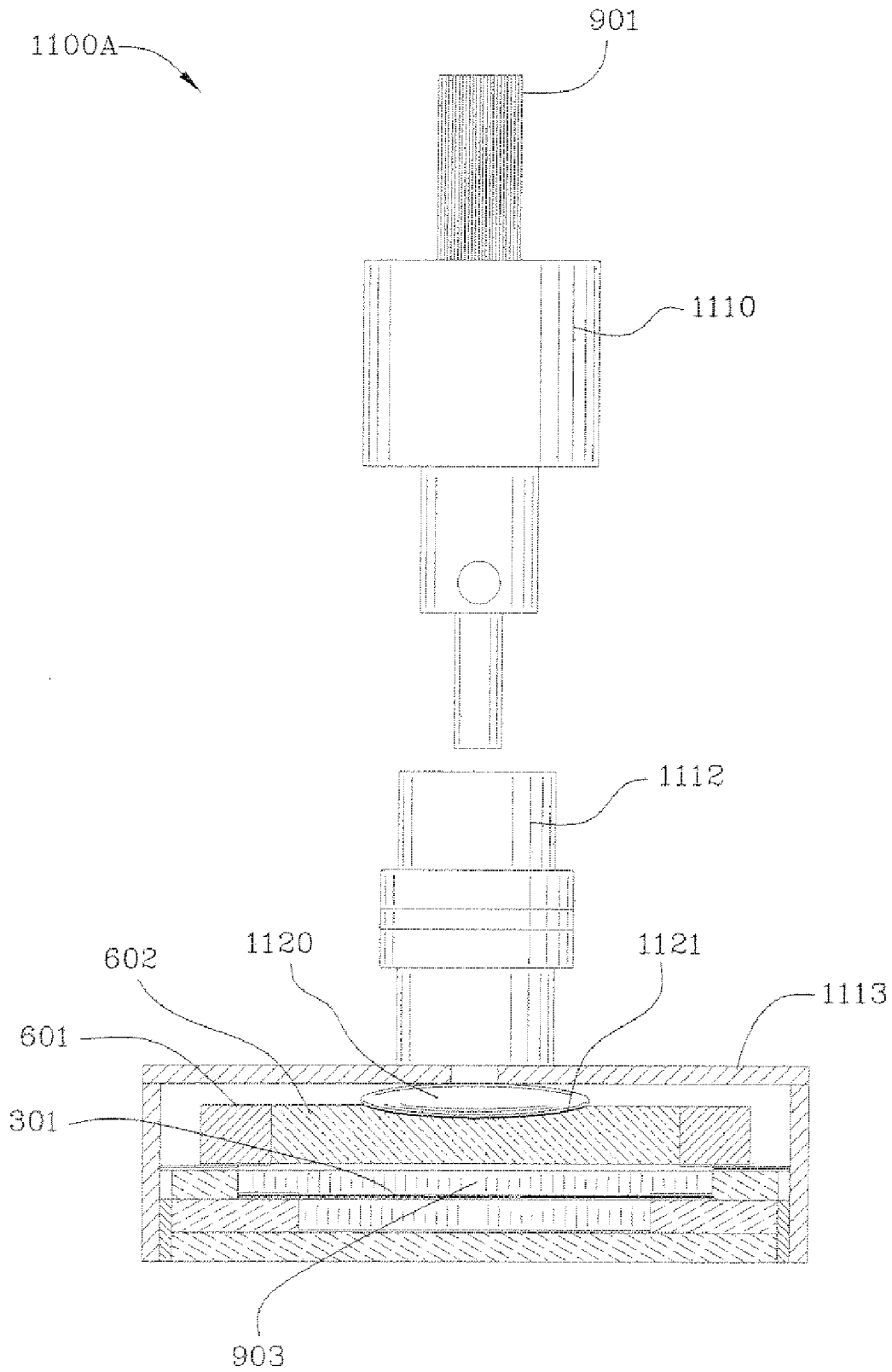


FIG. 11A

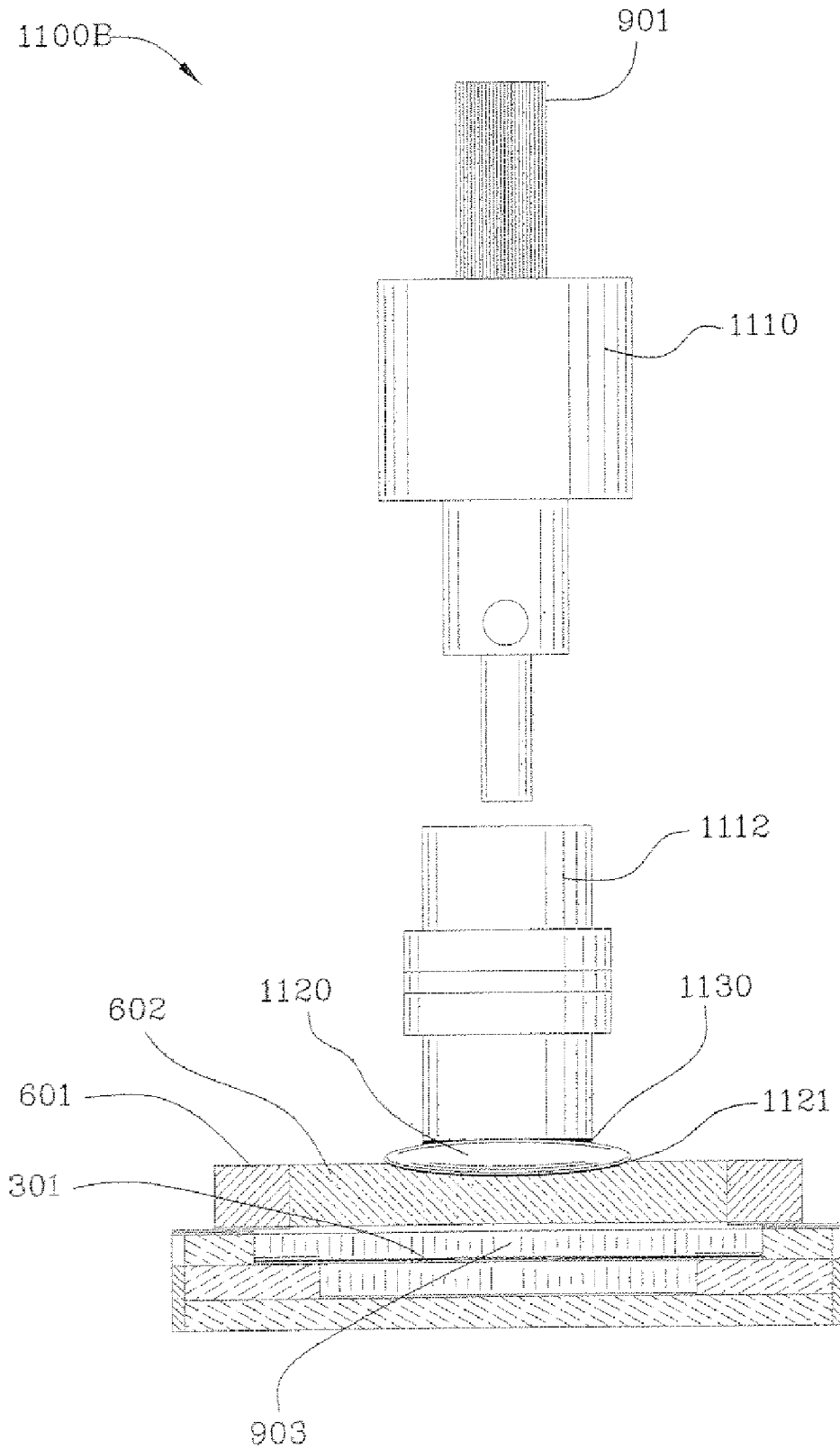


FIG. 11B

## ULTRAMINIATURE BROADBAND LIGHT SOURCE WITH SPIRAL SHAPED FILAMENT

### CROSS-REFERENCE TO RELATED APPLICATIONS

This application is a continuation claiming the benefit of priority from U.S. patent application Ser. No. 11/625,545 filed on Jan. 22, 2007, now U.S. Pat. No. 7,755,292, which is hereby incorporated by reference herein.

### ORIGIN OF THE INVENTION

The invention described herein was made by an employee of the United States Government, and may be manufactured and used by the government for government purposes without the payment of any royalties therein and therefore. The invention was made under contract between the United States Government and employees of other entities and as such the United States Government has certain rights in this invention.

### FIELD OF THE INVENTION

The invention is in the field of broadband incandescent light sources which may be used for the calibration of spectrometers and for powering optical sensors.

### BACKGROUND OF THE INVENTION

The invention is in the field of broadband light sources used to calibrate spectrometers or supply light to other optical instruments for powering them or for other calibration and measurement purpose. Spectrometers are instruments which are used to determine spectral information about objects which indicate to scientists and engineers qualitative and quantitative information about the objects. Light emitting objects (which may include planets and samples from planets) emit light in the form of photons when excited by an energy source. Light in the form of photons is emitted when electrons of an object change states in distinct energy levels according to quantum theory. It is this emission which scientists and engineers sense with a spectrometer to evaluate and correlate measurements of the spectrometer with known spectral information about elements to infer the constituency of the object. The light emitting source or object may be a planet or it may be a sample taken from a planet and analyzed in a laboratory type environment on-board a space ship.

Spectrometers have been known for some time but those in use today are highly specialized and designed to process and measure electromagnetic radiation over a certain band of frequencies. Crude spectrometers can be made at home from cereal boxes with slits in them which admit light in a certain region of the visible spectrum to a compact disk placed at an angle with respect to the incoming light which is then refracted in spectra which can be viewed and used to infer the chemical make-up of the atmosphere. Spectrometers used on board spaceships are very sophisticated instruments and include complex calibratable gratings and electronics to accept and process light from planets and samples from planets in determining the elemental composition of an object. Spectrometers analyze the excitation objects which have been excited by a light source.

Military use of spectrometers is prevalent to identify discontinuities in the surface of our own planet to infer that which is not normal for a specific location thus identifying weapons and equipment.

Electromagnetic radiation is denoted as such because it includes electric fields and magnetic fields which are propagated by the source of the radiation. The general equation of frequency times wavelength=speed of light governs all electromagnetic radiation such that the higher the frequency the shorter the wavelength and vice versa.

The spectrometers which can be used with the broadband light source of the instant invention are designed to view the entire visible light spectrum.

White light sources are used to calibrate spectrometers in the visible range. It is desirable, therefore, to have an output source which spans past the visible light spectrum. The visible light range includes red, orange, yellow, green, blue, indigo and violet. Some recent commentaries are now indicating that indigo should possibly not be included as a separate color as it is a combination of other colors.

A broadband white light source includes all components of the visible spectrum as demonstrated by early scientists such as Newton wherein white light coming from the sun was broken down to its several components with the use of a prism.

U.S. Pat. No. 6,796,866 which has one inventor in common with the instant application is incorporated herein by reference. FIG. 1 is a schematic 100 of the prior art device illustrated in U.S. Pat. No. 6,796,866. There are three silicon layers 108, 106, 102 disclosed in the '866 patent. The silicon substrate 202 includes a top nitride layer 204, a bottom nitride layer 206, and a cavity 208 which allows for the transmission of light to the window 104. The silicon substrate 106 is a middle filament mount layer having a top nitride layer 214 and a bottom nitride layer 216. The silicon substrate layer 108 includes a reflective top layer 242. The spiral filament 220 is bridged across an aperture 218 in the middle substrate 106. Contacts 220 of the filament communicate with electrical leads 222 which in turn communicate with wire bond pad 210 and wire bond lead 240.

The '866 patent discloses a MEMS based package which employs Ti/Pt/Au bonding rings 230, 232, 250, 252 to bond the bottom layer 108 to the middle layer 106 and the middle layer 106 to the top layer 102. The bonding rings are deposited on the Si semiconductors in a facing relationship. Insulation 234 is interposed between the nitride 214 and the contact pads 232 to prevent electrical shorting between electrical leads 222 and conductive bonding rings 232.

The bottom layer 108, the middle layer 106 (silicon substrate 212), and the top layer 102 are bonded together. The reflective surface 242 contributes to the radiation of light through transmission window 104 in the top nitride layer 204 of the top layer 102.

FIG. 2 is a schematic 200 of the prior art device illustrated in U.S. Pat. No. 6,796,866. The end contact portions 220 are connected to electrical leads 222, 236 according to the specification of the '866 patent. It will be noticed that the spacing between the double-spirals is constant between the end portions 220 and an intermediate portion 291 all the way to the central portion 292. The language of a double-spiral, intermediate portion 291 and the central portion 292 does not appear in the '866 patent and are not extracted therefrom. It has been discovered that when the filament of the '866 patent is heated from the joule heating caused by the flow of current therethrough, the filament 200 expands radially and it also expands lengthwise.

Actual mechanical and electrical contact may result in partial shorting of a portion of a turn of the spiral. If the turns are too close together this can happen due to some distortion of the spiral during operation or due to vibration. In an earlier design in which the space between turns was everywhere

constant, the shorting tended to occur near outer part of the spiral where distortion appeared to be most severe.

The filament has constant thickness. The width of the filament varies along its length as wider tabs (end contacts and less wide outer windings and still less wide inner windings. The thermal expansion of the material differs based on joule heating which varies with the voltage applied and with the resistance (determined by cross-sectional area) of the particular part of the filament. The end contacts of the filament are wider than the windings of the filament so the end contacts or tabs have a larger cross-sectional area than the windings and so have a lower resistance than the windings and so have less joule heating for a particular operating voltage than the windings. Since both the end contacts and outer windings are wider than the inner windings, both the end contacts and outer windings run cooler than the inner windings for a particular operating voltage. The cooler metal expands less and is less flexible than the warmer inner windings. The inner windings expand along their length, following the curve out. As the inner windings tend to de-coil or unwind, their length increases and they may eventually collide with the more stationary cooler outer windings producing an electrical short path.

FIG. 2A is a schematic 200A of the prior art device illustrated in U.S. Pat. No. 6,796,866 with the tungsten coil thereof illustrated in the process of unwinding. Reference numerals 260A, 261A, 262A and 263A indicate the general location where the first and second spirals interengage each other upon heating thereof. In FIG. 2, reference numerals 260, 261, 262, and 263 indicate gaps between the windings of the spirals. When the first and second spirals are heated they expand and engage as indicated by reference numerals 260A, 261A, 262A and 263A as illustrated in FIG. 2A.

The shortened path then has lower resistance and draws even more current which increases the evaporation rate of the filament which decreases the lifetime because the filament narrows further until it gets to a point where it melts and opens the circuit creating an open circuit path.

Although the light source of the '866 patent is a very efficient broadband light source its assembly is somewhat complicated and involves the deposition of the Ti/Pt/Au bonding rings on the top, middle and bottom layers and subsequent processing under vacuum or in an inert atmosphere at or near atmospheric pressure in a thermal compression binder to assemble the device together.

U.S. Pat. No. 5,977,707 to Koenig discloses a planar spiral made from tungsten as illustrated in FIG. 7 thereof but the remaining, claimed structure and processes are not found or suggested by the reference.

U.S. Pat. No. 3,604,971 to Tracy discloses a filament mound a structure for a display which includes plurality of helical filaments to form a display but fails to disclose a single planar double spiral as claimed.

Therefore, it is desirable to have an ultraminiature light source which does not short-out due to thermal expansion and vibrations of the filament and which is efficiently packaged.

#### SUMMARY OF THE INVENTION

An ultraminiature light source comprises a ceramic base and a generally planar double-spiral shaped tungsten filament suspended within the ceramic base. The ceramic base may be a glass or glass ceramic. A lid which is partially transparent is placed over the ceramic base. The lid may also be coated with dielectric material to selectively transfer specific radiation bands that are selective to the application. The ceramic enclosure or base includes a reflective bottom, a ledge, and a raised

perimeter having a metallic surface. The ledge includes metallic surfaces embedded therein for electrical communication with the double-spiral shaped tungsten filament. The double-spiral shaped tungsten filament comprises first and second interleaved concentric spiral portions radially converging with decreasing radius and centrally joined together in a central portion. Each of the first and second spiral portions of the double-spiral shaped tungsten filament includes an end contact portion, an intermediate portion and a central portion. A feature of the aforesaid design double spiral shaped filament is that upon joule heating it lengthens and this physical feature can be used to place the filament in compression against an end stop for additional vibrational damping.

A first gap defined between the first and second spiral portions of the dual-spiral shaped tungsten filament and a second gap defined between the second and first spiral portions of the dual-spiral shaped tungsten filament. The first spiral portion being wound, for example, in a clockwise direction and the second spiral portion being wound in a clockwise direction with said first gap defined between the first and second spirals. The second gap defined between the second and first spiral portions being substantially constant between the intermediate portions of the spiral portions. The first gap between the end contact portion of the first spiral portion and the second spiral portion being relatively larger than the first gap between the intermediate portions of the first and second spiral portions.

The second gap between the end contact portion of the second spiral and the first spiral portion being relatively larger than the second gap between the intermediate portions of the second and first spiral portions. The first and second gaps near and at the central portion being relatively smaller than the gaps between the intermediate portions of the spiral portions of the double-spiral shaped filament. The end contacts of the first and second spiral portions may be brazed or affixed by other means to the metal surfaces of the ledge of the ceramic enclosure such that the double-spiral shaped tungsten filament is suspended above the reflective base. The transparent portion of the lid is soldered to the metal surfaces of the ceramic bases and forms a chamber within which the double-spiral shaped tungsten filament resides and is suspended therein. The chamber being substantially at a desired vacuum or filled with non-reactive gas for a desired specific photochemical action.

The process for making an ultraminiature light source is disclosed and claimed. The steps include fabricating a double-spiral ultraminiature tungsten filament from tungsten foil. Braze preform is placed over two metal contacts of a suitable chip carrier package. End contacts of the tungsten filament are positioned so as to bring them into engagement with the braze preform preform covering the contacts of the chip carrier package. The chip carrier package is placed with the filament positioned therein into a vacuum furnace. Preferably, the chip carrier package has a base plated with a material selected from the group of reflective refractory metal, refractory ceramic carbide, boride, and nitride. The chip carrier package is heated to approximately 800° C. under a desired vacuum and the tungsten filament is bonded to the chip carrier package by the braze preform. The chip carrier package, the tungsten filament, and the brazing are then cooled while the pressure is increased to atmospheric pressure. A solder preform is applied to the perimeter of the lid which has a transparent portion. The solder preform is nicked to create a discontinuity therein.

The lid has a solder preform which is tack welded over the perimeter of the lid. The solder preform of the lid is then applied over the perimeter of the chip carrier package. The



chip carrier package includes an upper lip or perimeter which has a gold plating which resides over a nickel plating which interengages the solder preform. The lid with said solder affixed thereto is brought forcibly into engaging contact with the chip carrier package and placed into the furnace under a desired vacuum. The chip package is then heated under the desired vacuum to the eutectic temperature of the solder to remelt and reflow the solder to seal the chip carrier package under the desired vacuum. The chip carrier is then cooled to room temperature and restored to atmospheric pressure.

The ceramic chip carrier of the instant invention as described below includes a stepped profile in cross-section. The bottom of the ceramic chip carrier includes a gold plated surface which may be polished. The first step of the profile includes contacts over which the ultraminiature dual spiral filament is bridged.

The '866 patent reference does not teach or disclose an ultraminiature dual spiral having divergent end contact portions which are brazed to a pair of contacts within the ceramic chip carrier. Nor does the '866 patent teach or disclose the use of a ceramic chip carrier in combination with a commercially available lid. Nor does the '866 patent teach or disclose the claimed process steps.

Nor does the structure of the '866 patent prohibit shorting of the spirals upon thermal expansion or because of vibration.

The invention also discloses structure for using the light emitted from the dual spiraled tungsten filament. Specifically, an ultraminiature light conducting package comprises a dual spiraled tungsten filament having a substantially constant thickness and a carrier package having a transparent window. The dual spiraled tungsten filament is suspended within the package. A fiber optic light guide is affixed to the transparent window of the package.

Accordingly, it is an object of the invention to provide an ultraminiature light source which is efficiently coupled to a fiber optic guide.

Accordingly, it is an object of the invention to provide an ultraminiature light source which includes a double-spiral filament with divergent end contact portions.

Accordingly, it is an object of the invention to provide an ultraminiature light source which includes a double-spiral filament having wide end contacts which neck down to a reduced-width transitional portion which then gradually reduce down in width in the shape of a wide sweeping and tapering arc to a width maintained by the inner windings which terminate in a central portion.

Accordingly, it is an object of the invention to provide an ultraminiature light source in a chip carrier package which includes a ceramic base and a partially transparent lid.

Accordingly, it is an object of the invention to provide an ultraminiature light source whose filament maintains its integrity despite vibration and heating.

Accordingly, it is an object of the invention to provide an ultraminiature light source whose filament does not short between portions thereof due to thermal expansion of the tungsten, tungsten alloy or other filament material.

Accordingly, it is an object of the invention to use a commercially available package and lid in combination with a new process and new filament disclosed herein which is advantageous insofar as sealing of the package, simplicity of construction, ruggedness, durability and cost are concerned.

These and other objects will be best understood when reference is made to the Brief Description of the Drawings, Description of the Invention and Claims which follow hereinbelow.

#### BRIEF DESCRIPTION OF THE DRAWINGS

FIG. 1 is a schematic of the prior art device illustrated in U.S. Pat. No. 6,796,866.

FIG. 2 is a schematic of the prior art device illustrated in U.S. Pat. No. 6,796,866.

FIG. 2A is a schematic of the prior art device illustrated in U.S. Pat. No. 6,796,866 with the tungsten coil thereof illustrated in the process of unwinding.

FIG. 3 is an illustration of the double-spiral filament of the instant invention having end contact portions which are divergent from the next adjacent spiral.

FIG. 3A is an illustration of the double-spiral filament of the instant invention similar to FIG. 3 with additional reference numerals employed to indicate dimensions and radii of the filament.

FIG. 3B is an enlargement of a portion of the double-spiral filament illustrated in FIG. 3A.

FIG. 3C is a perspective view of the double-spiral filament illustrated in FIG. 3.

FIG. 3D is an illustration of the double-spiral filament of the instant invention similar to FIG. 3 after the filament has been energized and thermal expansion of the filament has taken place.

FIG. 4 is an illustration of the ceramic base illustrating a reflective bottom, a ledge having contact pairs which engages the end contact portions of the spiral, and an upper perimeter or lip which is coated with metal.

FIG. 4A is a quarter-sectional view of the ceramic base illustrating the reflective bottom portion, the ledge and the upper perimeter or lip.

FIG. 4B is an enlarged quarter-sectional view of the ceramic base or housing illustrating the reflective layer covering the bottom of the leadless chip carrier, the nickel plating on the perimeter and the gold plating on the nickel plating.

FIG. 5 is a view similar to FIG. 4 with the double-spiral element placed in the ceramic base straddling the ledge with the end contact portions mating with a respective pair of the contact pairs of the ledge.

FIG. 5A is a quarter sectional view of FIG. 5.

FIG. 6 is a view of the bottom side of the lid illustrating the transparent window and the lip which mates with the upper surface of the ceramic base.

FIG. 6A is a side view of the lid.

FIG. 6B is an enlarged portion of FIG. 6A illustrating a nick in the solder preform.

FIG. 7 is a top view of the ultraminiature light source assembled.

FIG. 8 is a schematic of the steps to manufacture the ultraminiature light source.

FIG. 9 is a top view of the ultraminiature light source with a fiber optic guide secured to the transparent window with optical adhesive.

FIG. 9A is an enlarged cross-sectional view taken along the lines 9A-9A of FIG. 9.

FIG. 10 is an enlarged cross-sectional view similar to FIG. 9A illustrating another fiber optical guide coupling arrangement.

FIG. 11 is an enlarged cross-sectional view of another connector arrangement.

FIG. 11A is an enlarged cross-sectional view of another connector similar to FIG. 11 with a lens integral with the lamp package window.

FIG. 11B is an enlarged cross-sectional view of a connector similar to FIG. 11A with the connector directly engaging and attached to the lens with adhesive, solder, braze, glass frit or welded to the package lid.

The drawings will be best understood when reference is made to the Description of the Invention and Claims which follow hereinbelow.

## DESCRIPTION OF THE INVENTION

FIG. 3 is an illustration of the double-spiral element **300** of the instant invention having end contact portions **301**, **302** which are divergent from the next adjacent spiral. By increasing the radius of the outer windings of the double-spiral, the inner windings are allowed to decoil while not contacting the outer windings or tabs so that the short path is less likely for a particular operating voltage. The net result is to allow more stable light output for a longer lifetime at a higher operating point for the filament.

End contact portions **301**, **302** of the double-spiral filament contact ledge **405** of leadless chip carrier package **400** and are in electrical communication therewith. See, FIGS. 4 and 4A, which generally represent a commercially available leadless chip carrier package such as the one illustrated and made by Kyocera Corporation of Kyoto, Japan, Kyocera Drawing Number PB-C88231-JMI. It will be noted that the leadless chip carrier package includes a plurality of gold contacts which are embedded in or deposited on the surface of the ledge. Any oppositely oriented pair of contacts may be used as they will position the double-spiral filament centrally within the chip carrier package. The double-spiral filament **300** is centrally mounted as this will maximize the light output through a correspondingly oriented window **602** in a lid **600** as illustrated in FIGS. 6 and 7.

A braze preform available from Morgan Ceramics/Wesgo Metals Incusil-ABA having 59% Ag, 27.25% Cu, 12.5% In and 1.25% Ti having a liquidus temp=715° C. covers the contacts of the leadless chip carrier. The leadless chip carrier with the filament engaging the braze preform and the contacts are then heated under a desired vacuum at approximately 800° C. until the filament is secured in place.

A transitional portion **303** of the filament interconnects end contact portion **301** and outer spiral portion **306** of the first spiral and a transitional portion **304** interconnects the end contact portion **302** and outer spiral portion **305** of the second spiral. It will be noticed that the end contact portions **301** and **302** are significantly larger in cross-sectional area than the transitional portions **303**, **304**. The filament is 0.050 mm (50 μm) thick everywhere and the end contacts are approximately 0.50 mm (500 μm) wide as represented by reference numeral **354** in FIG. 3A. Also see, FIG. 3C, reference numeral **388** illustrating the thickness **388** of the filament. Shoulders **330**, **331** reduce the width of the end contact portions to the width of the transition portions **303**, **304**.

FIG. 3A is an illustration **300A** of the double-spiral filament **300** of the instant invention similar to FIG. 3 with additional reference numerals employed to indicate dimensions and radii of the filament.

Referring still to FIG. 3, the beginning **305A** of the outer-most winding **307** of the second spiral **305** is illustrated. Reference numeral **307** represents the outer-most winding of the second spiral. Reference numeral **305A** represents the beginning of the outer-most winding **307** of the second spiral **305**. Reference numeral **306A** represents the beginning of the outer-most winding **308** of the first spiral **306**. Reference numeral **308** represents the outer-most winding of the first spiral **308**.

Arrow **340** is indicated in FIG. 3 as pointing to the gap **316** (sometimes referred herein as "the second gap") between second spiral **305** and first spiral **306** and arrow **341** is pointing toward the beginning of the gap **314** (sometimes referred herein as "the first gap") between first spiral **306** and second spiral **305**. These arrows signify the relatively large gaps at the entrances to the interleaved first **306** and second spiral **305**. FIG. 3D illustrates the gaps **314**, **316** of the filament after

energization (i.e., after the application of appropriate voltage across the end contacts **301**, **302**) of the tungsten or tungsten alloy filament. The inner windings as discussed hereinbelow are expanded radially outward and lengthened slightly. The filament, as illustrated in FIG. 3, accommodates the joule heating of the filament such that the unwanted contact in the region, defined generally by reference numerals **260**, **261**, **262** and **263** in FIG. 2A, is avoided and does not occur. Referring to FIG. 3D, the fill factor may change with joule heating, but the filament should unspool evenly so the fill factor should remain mostly the same even though the output disk should grow or shrink as the filament heats or cools.

Referring to FIGS. 3-3D, fill factors for the filament disclosed herein will vary depending on desired temperature of the particular filament used; however, the filament illustrated in FIG. 3 is 25 μm thick (reference numeral **388**, FIG. 3C) everywhere, has a 50% fill factor using a 50 μm spacing between spirals **305**, **306**, and has a 50 μm winding width. The filament of FIG. 3 operates at approximately 2200° K for 1000 hours. The importance of the fill factor or aspect ratio has to do with the fact that the closer the windings are together the more light you can output per unit area. The spacing is determined by the amount that the filament expands due to thermal effects during operation.

Still referring to FIGS. 3-3D, the inner windings are approximately about the same cross-section, and are the smallest in cross-sectional area of the filament components. This makes the hot spot of the filament generally in the middle (central portion **313**) of the filament away from the walls of the package. Since the light comes from the middle of the package it can be easily coupled to the optical fiber attached to the window of the light source.

Still referring to FIGS. 3-3D, the outer windings are tapered like a sickle as a transition from the strong end contacts **301/303** and **302/304** to the inner windings of the interleaved spirals **305**, **306**. The outer windings **305**, **306** are shaped like a sickle with the arc being fairly wide and sturdy to provide a strong gradual transition to the inner windings instead of going right front the end contacts directly to a narrow winding as does the structure of FIGS. 2 and 2A. The arc supports the inner windings encouraging them to uncoil as they heat instead of just twisting off in a torquing motion at the end contact connection point. The arc distributes the stress during temperature changes and thus increases the service life. The arc also provides for the inner windings of the coil to grow outwardly. The end contacts have the greatest cross-section of the filament. In this way the end contacts create a stable base for damping filament vibration and have a lot of adhesion surface area to bind the filament to the leadless chip carrier package. The large end contact portions also provide a relatively large place to handle the filament during the assembly process.

Still referring to FIGS. 3-3D the narrower inner windings (intermediate windings **309**, **310**, **311**, **312**) have the same current as the end contact portions because the current is the same throughout all portions of the filament. The narrower inner windings have the same thickness as the end contact portions **301**, **302** and as the inner windings' cross-sectional area is smaller (than the arc, transition portions and end contacts) their relative resistance per incremental unit length is relatively higher and they joule heat more since the same current is squeezed through essentially a smaller volume which means the same number of electrons per second interact with fewer atoms generating more photons and different energy photons than are generated at the end contact portions.

Still referring to FIGS. 3-3D, having the arc and designing the filament such that the outer windings are spaced apart

from the inner windings (intermediate windings **309**, **310**, **311**, **312**) may decrease the fill factor somewhat but most of the light is from the inner windings so the optical fiber will couple effectively to the filament. In this arrangement the fill factor is about 50%. Filaments having fill factors greater than 50% may be used. The inner windings are approximately 50  $\mu\text{m}$  wide and are spaced apart approximately 50  $\mu\text{m}$  from winding to winding.

The second spiral **305** includes intermediate winding portions **309**, **311** which terminate in a central portion **313** which joins second and first spirals **305**, **306** together. The first spiral includes intermediate winding portions **310**, **312** which also terminate in the central portion **313**. Generally the windings of the spirals **305**, **306** are widest at the arc which comprises outer-most winding and gradually tapers to the width of the inner winding which is approximately 50  $\mu\text{m}$ .

Referring to FIG. 3A, the overall length **350** of the filament is approximately 8 mm (8000  $\mu\text{m}$ ). The radii **355** of the outer-most windings **307**, **308** of the second and first spirals **305**, **306**, respectively, are approximately 0.89 mm (890  $\mu\text{m}$ ). The radii **356** of the outer-most windings **307**, **308** of both spirals **306**, **305** are reduced gradually to approximately 0.68 mm (680  $\mu\text{m}$ ) through an arc of about 90° and the radii **357** are further reduced to 0.58 mm (580  $\mu\text{m}$ ) through an arc of 180°. Thereafter, the radii are further reduced.

The approximate length **351** between transition portion **303**, **304** is 4.84 mm (4840  $\mu\text{m}$ ) for the example illustrated in FIG. 3A. The outer diameter **352** of the filament is approximately 1.50 mm (1,500  $\mu\text{m}$ ) and is also illustrated in FIG. 3A. The diameter **353** of the tungsten or tungsten alloy filament is approximately 1.15 mm (1,150  $\mu\text{m}$ ) at the point where the outer-most windings have swept an arc of approximately 180° from the entrance. The filament employs end contact portions **301**, **302** which are then reduced in cross-section in transition portions **303**, **304**. The distance **358** between the contact portions (i.e., where they are reduced by shoulders **330**, **331** to become transition portions **303**, **304**) is approximately 4.84 mm (4,840  $\mu\text{m}$ ). The contact end portions are 1.43 mm (1,430  $\mu\text{m}$ ) in length as indicated by reference numeral **359**.

The invention is disclosed herein by way of example only and those skilled in the art will readily recognize after reading the specification that many of the dimensions stated herein may be changed without departing from the spirit and scope of the claimed invention.

FIG. 3B is an enlargement **300B** of a portion of the double-spiral filament illustrated in FIG. 3A. Reference numeral **314** represents the first gap between the first spiral **306** and the second spiral **305** at the beginning of the outer-most winding **308**. Reference numeral **315** represents the first gap between the first spiral **306** and the second spiral **305** after an arc of about 90° of the outer-most winding **308**. Reference numeral **317** represents the first gap between intermediate portions of the first spiral **306** and the second spiral **305**. Reference numeral **323** represents the termination of the first gap between the intermediate portions of the first and second spirals. The gap terminates where the spirals are joined as indicated by reference numeral **313**.

Still referring to FIG. 3B, second gap **320** between intermediate portions of the second **305** and first **306** spirals is illustrated and that second gap which began as **316**, **316A** terminates as indicated by reference numeral **324**.

FIG. 3C is a perspective view **300C** of the double-spiral filament illustrated in FIG. 3 and which illustrates the thickness **388** of 0.025 mm (25  $\mu\text{m}$ ) and the generally planar form of the filament which is generally represented by the refer-

ence numeral **300** in FIG. 3. In the future it is contemplated that a thickness of 0.050 (50  $\mu\text{m}$ ) may be used.

FIG. 4 is an illustration of the ceramic housing or base **400** illustrating a bottom **400**, a ledge **405** having contact pairs **405A**, **406** which engage the end contact portions **301**, **302** of the spiral filament **300**, and an upper perimeter or lip **402** which is metal coated **402B**, **402A**.

The ceramic housing has a metallized upper lip **402A** consisting of a base coating of nickel plating **402B** with a top coating of 0.0015 mm (1.5  $\mu\text{m}$ ) of gold plating **402A**.

The bottom **404** of the housing may be polished. Alternatively, a reflective refractory metal, refractory ceramic carbide, boride, or nitride **404A** may be deposited on the bottom **404**. The bottom reflector layer provides a reflective surface **404A** to improve transmission through the transmission window **602** above, see FIG. 7. Alternatively, the bottom reflector layer may include a reflective metal layer **404A** which may be a Ti 200 Å/Pt 1000 Å reflective film. Silver may also be used as a reflective material.

Still referring to FIG. 4, grooves **401**, **412**, **409**, **410**, are cut vertically into the sides of the leadless chip carrier **400** to allow for interconnections directly to metal contacts **411**, **414** within the grooves from outside the leadless chip carrier. Metal contact **405A** is in electrical communication (not shown) with contact **411** within the leadless chip carrier **400**. Similarly metal contact **408** is in electrical communication (not shown) with contact **414** within the leadless chip carrier **400**.

Contact pairs **407**, **408** and **406**, **405A**, are the preferred contacts over which braze preform is placed prior to placing end contact portions **301**, **302** therein for heating to secure the filament within. Any of the contact pairs may be used as they all result in the centering of the filament within the housing and for its alignment with the window in the lid.

FIG. 4A is a quarter-sectional view **400A** of the ceramic base or housing **400** illustrating the reflective bottom portion **404A**, the ledge **405** and the upper perimeter or lip **402**. FIG. 4A provides a good illustration of outer surface contacts **411**, **414** for interconnection to outside devices.

FIG. 4B is an enlarged portion **400B** of the quarter-sectional view **400A** of the ceramic base or housing illustrating the reflective layer **404A** covering the bottom of the leadless chip carrier, the nickel plating **402B** on the perimeter and the gold plating **402A** on the nickel plating **402B**. Reference numeral **405B** indicates a braze preform on top of contact **405A** in which end contact **301**, **302** may be placed. The end contacts of the tungsten filament may be bonded to contacts of the chip carrier package by a suitable process such as brazing, electron beam welding, spot welding or laser welding.

FIG. 5 is a view **500** similar to FIG. 4 with the double-spiral filament **300** placed the ceramic base or housing **400** straddling the ledge **405** with the end contact portions **301**, **302** mating with a respective pair **405A**, **406** of contact pairs of the ledge **405**.

FIG. 5A is a quarter sectional view **500A** of FIG. 5 illustrating the braze preform securing the end contact portion **301** to contact **405A** on ledge **405** of housing **400**. End contact portion **301** is fused to the contact **405A** upon sufficient heating and subsequent cooling.

FIG. 6 is a view **600** of the bottom side of the lid **601** illustrating the transparent window **602** and the lip **603A** which mates with and is secured to the upper surface **402A** of the ceramic base. The lid is commercially available from Spectrum Semiconductor Materials of San Jose, Calif. part no. C-731-21-50MK100MND-GKL. The material of the lid is Kovar and includes the gold plating on top of nickel with a 80% Au/20% Sn solder preform. FIG. 6A is a side **600A** of the

lid **601** illustrating the lip **603A** with solder preform **603** applied over the lip. At least one notch, nick or groove **608** is cut into the solder preform **603** such that when it is secured or held into sealing engagement with gold plated surface **402A** and placed in a furnace under vacuum conditions the contents of the ceramic housing **400** and the lid **601** are evacuated. Alternatively, the ceramic housing and lid may be placed in an environment of halogen gas. FIG. **6B** is an enlarged portion of FIG. **6A** illustrating nick **608** in more detail. The heat of the furnace remelts and reflows the solder preform eliminating the nick and securing the lid and the chip carrier package together.

FIG. **7** is a top view **700** of the ultraminiature light source assembled.

FIG. **8** is a schematic **800** of the steps to manufacture the ultraminiature light source. The steps include fabricating a double-spiral ultraminiature tungsten filament from tungsten foil—**801**; placing braze preform over two metal contacts of a suitable chip carrier package—**802**; positioning end contacts of the tungsten filament into engagement with the braze preform covering the contacts of the chip carrier package—**803**; placing the chip carrier package with the filament positioned therein into a vacuum furnace, the chip carrier package having a base plated with a material selected from the group of reflective refractory metal, refractory ceramic carbide, boride, and nitride—**804**; heating, under desired vacuum, the chip carrier package, the tungsten filament, and the braze preform **805** at approximately  $800^{\circ}$  C. to melt the braze preform and bond the filament to the chip package; cooling the chip carrier package, the tungsten filament, and the brazing while increasing pressure to atmospheric pressure—**806**; applying solder preform to the perimeter of a lid having a transparent portion—**807**; nicking the solder preform to create a discontinuity therein—**808**; applying the lid having a transparent portion and having a solder preform tack welded over the perimeter of the lid to the chip carrier package, the chip carrier includes an upper lip having a gold plating which resides over a nickel plating; holding the lid with the solder affixed thereto into engagement with the chip carrier package—**810**; placing the chip carrier package with the lid held in place into the furnace under desired vacuum—**811**; heating, under desired vacuum, the chip package to the eutectic temperature of solder to remelt and reflow the solder to seal the chip carrier package under the desired vacuum to create an air tight seal between the package and the lid—**812**; and, cooling to room temperature and restoring atmospheric pressure within the furnace—**813**.

Alternatively, the step of placing braze preform on the contacts may be substituted with any suitable process of bonding the contacts to the chip carrier by brazing, electron beam welding, spot welding or laser welding.

The eutectic point referred to in the step denoted by reference numeral **812** is the point at which the liquid phase borders directly on the solid phase. The temperature that corresponds to this point is known as the eutectic temperature.

The step of applying solder preform to the perimeter of a lid having a transparent portion—**807**—includes the solder preform being tack welded to the window lid. The attachment of the solder preform to the lid prior to the sealing process avoids potential handling damage to the delicate  $0.510$  mm ( $510$   $\mu$ m) thick gold preform and reduces alignment offsets of the gold preform to the sealing surfaces.

The ceramic housing has a metallized upper lip consisting of a base coating of nickel plating with a top coating of  $0.0015$  mm ( $1.5$   $\mu$ m) of gold plating.

The light source disclosed herein was successfully tested at  $3.125$  VDC at  $0.40$  A yielding approximately  $1.250$  W at  $2200^{\circ}$  K for approximately  $1000$  hours. Different filament materials operating at different voltages will produce different values.

FIG. **9** is a top view **900** of the ultraminiature light source with a fiber optic guide **901** secured to the transparent window **602** with optical adhesive **902**.

FIG. **9A** is an enlarged cross-sectional view **900A** taken along the lines **9A-9A** of FIG. **9**. A gap **903** of approximately  $0.58$  mm ( $580$   $\mu$ m) is illustrated in FIG. **9A** between the filament and the window **602**.

The advantage of the tungsten light source disclosed herein includes the fact that it provides a broad optical spectrum. This broad spectrum is accompanied by a short coherence length. It is key, therefore, to couple the light source into an optical fiber in an efficient manner. This becomes increasingly problematic when the core size of the optical fiber is small. Fibers used in optical fiber sensors may be  $50$  microns or smaller. Such fibers usually have a small numerical aperture number (NA) such as  $0.22$ . This means that either the light entering the fiber must be fairly collimated or that the fiber must be close to the source if the light is not highly collimated. The tungsten light source disclosed herein radiates light in all directions although the dual spiral coils tend to concentrate the light source. In order to maximize coupling a small filament light source with dimensions approaching that of the fiber, close spacing of the fiber to the filament is required to achieve any sort of efficiency in getting the tungsten light spectrum into the fiber.

FIG. **10** is an enlarged cross-sectional view **1000** similar to FIG. **9A** illustrating another fiber optic guide coupling arrangement. Connector housing **1001** fits over the packaged tungsten filament light source and the connector female receptacle **1002** is in engagement with the package. Male connector **1003** is insertable within the female connector **1002**. Male connector **1003** includes a housing portion **1004** and a resilient portion **1005** for receiving the fiber **901**. The fiber **901** is positioned in proximity to the window for good coupling to the tungsten filament. Resilient material **1005** is used to grip the fiber optic guide **901** and enables the replacement of the optic fiber **901** if necessary.

FIG. **11** is an enlarged cross-sectional view **1100** of another connector arrangement wherein the fiber is held in a male connector **1110**, which in turn is coupled to a female connector receptacle **1112** affixed to a lamp package mount **1113**. Optionally a lens **1120** may be used. FIG. **11A** is an enlarged cross-sectional view **1100A** of another connector similar to FIG. **11** with a lens integrally affixed **1121** with the lamp package window. FIG. **11B** is an enlarged cross-sectional view **100B** of a connector similar to FIG. **11A** with the connector directly engaging and attached to the lens by adhesive, solder, braze, or glass frit **1130**. Alternatively the lens **1120** may be welded to the package lid.

**1100**—cross-sectional view of a coupling arrangement with an optional lens **1100A**—cross-sectional view of a coupling arrangement with a lens integral with the transparent window.

#### LIST OF REFERENCE NUMERALS

- 100**—schematic of related art device in U.S. Pat. No. 6,796,866.
- 102**—top silicon substrate
- 104**—transparent window in top silicon substrate
- 106**—middle silicon substrate for mounting filament
- 200**—bottom silicon substrate

200—filament  
 202—silicon substrate  
 212—silicon substrate  
 204—top nitride layer of top substrate  
 206—bottom nitride layer of top substrate  
 210—wire bond pad  
 214—top nitride layer of middle filament mounting substrate  
 106  
 216—bottom nitride layer of middle filament mounting substrate  
 218—aperture in bottom substrate  
 220—end contacts of the spiral filament  
 222—electrical leads  
 230—bonding ring  
 232—bonding ring  
 234—insulation  
 236—electrical leads  
 240—wire bond lead  
 242—reflective top layer of bottom silicon substrate 108  
 250—bonding ring  
 252—bonding ring  
 260—gap  
 261—gap  
 262—gap  
 263—gap  
 260A—contact area after heating  
 261A—contact area after heating  
 262A—contact area after heating  
 263A—contact area after heating  
 291—intermediate portion  
 292—central portion  
 300—double-spiral filament  
 300A—double-spiral filament with dimensions includes  
 300B—enlarged filament portion of FIG. 3  
 300C—perspective view of filament  
 301—end contact portion which sits on ledge of leadless chip carrier package  
 302—end contact portion which sits on ledge of leadless chip carrier package  
 303—transitional portion interconnecting end contact portion 301 and outer spiral portion 306 of the first spiral  
 304—transitional portion interconnecting end contact portion 302 and outer spiral portion 305 of the second spiral  
 305—second spiral  
 305A—beginning of outer-most winding 307 the second spiral 305  
 306—first spiral  
 306A—beginning of outer-most winding 308 of the first spiral  
 307—outer-most winding of the second spiral  
 308—outer-most winding of the first spiral  
 309—intermediate winding of the second spiral  
 310—intermediate winding of the first spiral  
 311—intermediate winding of the second spiral  
 312—intermediate winding of the first spiral  
 313—central portion joining first and second spirals  
 314—gap between beginning portion, of first spiral and second spiral  
 315—gap between beginning portion of first spiral and second spiral where they begin to converge  
 316—gap between beginning portion of second spiral and first spiral  
 316A—gap between beginning portion of second spiral and first spiral where they begin to converge  
 317—gap between intermediate portions of first and second spirals

320—gap between intermediate portions of second and first spirals  
 323—termination of gap between intermediate portions of first and second spirals  
 5 324—termination of gap between intermediate portions of second and first spirals  
 340—arrow to beginning of gap between second spiral 305 and first spiral 306  
 341—arrow to beginning of gap between first apical 306 and second spiral 305  
 10 350—overall length of approximately 8.00 mm of the filament of the example illustrated  
 351—approximate length of 4.84 mm between transition portions 303, 340 of the example illustrated  
 15 352—outer diameter of approximately 1.50 mm of the filament of the example illustrated  
 353—diameter of filament after approximately 180° arc of the example illustrated  
 354—approximate width of 0.0500 mm of the contact portions 302, 301 of the example illustrated  
 20 355—approximate radii of 0.89 mm of the first and second spirals at the beginning of the spirals of the example of the example illustrated  
 356—approximate radii of 0.68 mm of the first and second  
 25 spirals after an approximate 90° arc of the example illustrated  
 357—approximate radii of 0.58 mm of the first and second spirals after an approximate 180° arc of the example illustrated  
 30 358—approximate distance of 4.84 mm between the contact portion of the example illustrated  
 359—length of end contact portion  
 388—thickness of the filament  
 400—top plan view of a leadless chip carrier  
 35 400A—quarter-sectional view of the leadless chip carrier illustrated in FIG. 4 taken along the lines 4A-4A  
 400B—quarter-sectional view of the leadless chip carrier illustrated in FIG. 4 further illustrating the braze preform and the reflective bottom  
 40 401—side indentation of leadless chip carrier  
 402—upper surface or perimeter of the leadless chip carrier  
 402A—nickel plating  
 402B—gold plating  
 404—bottom of leadless chip carrier package  
 45 404A—reflective material on the bottom of the chip carrier package  
 405—ledge  
 405A—contact  
 405B—braze preform, electron welding, spot welding, laser  
 50 welding  
 406—contact  
 407—contact  
 408—contact  
 409—exterior contact  
 55 410—exterior contact  
 411—exterior contact  
 412—side indentation of leadless chip carrier package  
 500—top plan view of a leadless chip carrier similar to view of FIG. 4 with the filament placed therein  
 500A—quarter-sectional view taken along the lines 5A-5A of FIG. 5  
 501—braze preform  
 600—bottom view of the lid 601  
 600A—side view of the lid 601  
 65 600B—enlarged portion of FIG. 6A  
 601—lid  
 602—transparent window

## 15

**603**—solder preform on bottom facing lip  
**603A**—lip  
**604**—bottom side of top cover of the lip  
**608**—nick in the solder preform **603**  
**609**—top cover of lid **601**  
**700**—completed assembly of the light source with the lid  
**800**—schematic of process to manufacture the light source  
**801**—fabricating a double-spiral ultraminiature tungsten filament from tungsten foil  
**802**—placing braze preform over two metal contacts of a suitable chip carrier package or electron welding, spot welding or laser welding  
**803**—positioning end contacts of the tungsten filament into engagement with the braze preform covering the contacts of the chip carrier package  
**804**—placing the chip carrier package with the filament positioned therein into a vacuum furnace the chip carrier package having a base plated with a material selected from the group of reflective refractory metal, refractory ceramic carbide, boride, and nitride  
**805**—heating, under desired vacuum, the chip carrier package, the tungsten filament, and the braze preform at approximately 800° C.  
**806**—cooling the chip carrier package, the tungsten filament, and the brazing while increasing pressure to atmospheric pressure  
**807**—applying solder preform to the perimeter of a lid having a transparent portion  
**808**—nicking the solder preform to create a discontinuity therein  
**809**—applying the lid having a transparent portion and having a solder preform tack welded over the perimeter of the lid to the chip carrier package, the chip carrier includes an upper lip having a gold plating which resides over a nickel plating  
**810**—holding the lid with the solder affixed thereto into engagement with the chip carrier package  
**811**—placing the chip carrier package with the lid held in place into the furnace under desired vacuum  
**812**—heating, under desired vacuum, the chip package to the eutectic temperature of solder to remelt and reflow the solder to seal the chip carrier package under the desired vacuum  
**813**—cooling to room temperature and restoring atmospheric pressure within the furnace  
**900**—top view of filament within the assembled package coupled to a fiber optic guide  
**900A**—cross-sectional view taken along the lines **9A-9A**  
**901**—fiber optic guide  
**902**—optical adhesive  
**903**—gap between window **602** and filament  
**1000**—cross-sectional view of a connector for coupling a fiber optic guide to the assembled package  
**1001**—connector housing  
**1002**—connector female receptacle  
**1003**—male connector  
**1004**—housing of the male connector  
**1005**—resilient material gripping the fiber optic guide **901**  
**1100**—cross-sectional view of a coupling arrangement with an optional lens  
**1100A**—cross-sectional view of a coupling arrangement with a lens integral with the transparent window  
**1100B**—cross-sectional view of a connector affixed directly to a lens  
**1110**—male connector  
**1112**—female connector  
**1113**—package coupling mount

## 16

**1120**—lens  
**1121**—lens embedded in window **602**  
**1130**—adhesive, solder, braze, glass frit or ultrasonic weld  
 Those skilled in the art will readily recognize that the invention has been set forth by way of examples only and that many changes may be made to the structure of the examples and to the process set forth by way of examples without departing from the spirit and scope of the claims attached hereto.

The invention claimed is:

1. A light source filament comprising:
  - a first and a second mutually confronting end portions;
    - a first and a second filament winding extending inwardly towards one another from their respective end portions and spirally confronting one another concentrically along a reducing diameter until joined at a central portion;
    - a first gap defined as the space between the first and the second filament windings, said first gap having a proximal end at the first end portion and a distal end at the central portion;
    - a second gap defined as the space between the second and the first filament windings, said second gap having a proximal end at the second end portion and a distal end at the central portion; and
 wherein the width of the first and second gap is reduced by at least 50% from the proximal end through an arc of approximately 180 degrees.
  2. The light source filament of claim 1, wherein the filament material is selected from the group consisting of tungsten, an alloy of tungsten, and other incandescent filament materials.
  3. The light source filament of claim 2, wherein after the arc of approximately 180 degrees, the first and the second gap maintains a substantially constant width therealong through its distal end.
  4. The light source filament of claim 3, wherein the width of the first and second gap is reduced by at least 75% from the proximal end through an arc of approximately 180 degrees.
  5. The light source filament of claim 4, wherein the first and second gaps prevent electrical shorting and arcing due to thermal expansion during operation between the first and second filament windings from the proximal end of the first and second gaps through an arc of approximately 180 degrees.
  6. The light source filament of claim 5, wherein the first and second filament windings are generally planar.
  7. The light source filament of claim 6, wherein the width of the first and the second filament windings tapers from their respective end portions through an arc of approximately 180 degrees.
  8. The light source filament of claim 7, wherein after an arc of approximately 180 degrees, the first and the second filament windings maintain a substantially constant width therealong until termination at the central portion.
  9. The light source filament of claim 8, wherein the first and the second filament windings are less than 100  $\mu\text{m}$  wide.
  10. A light source filament comprising:
    - first and a second mutually confronting end portions;
    - a first and a second filament winding extending inwardly towards one another from their respective end portions and spirally confronting one another concentrically along a reducing diameter until joined at a central portion;

**17**

a first gap defined as the space between the first and the second filament windings, said first gap having a proximal end at the first end portion and a distal end at the central portion;

a second gap defined as the space between the second and the first filament windings, said second gap having a proximal end at the second end portion and a distal end at the central portion; and

**18**

wherein the width of the first and second gap is reduced by at least 50% from the proximal end through an arc of approximately 180 degrees to prevent electrical shorting and arcing due to thermal expansion between the first and second filament windings during operation.

\* \* \* \* \*