



The WFIRST Optical Design of the Phase-A Wide Field Channel

Bert Pasquale

Catherine T Marx, Guangjun Gao, Nerses Armani, Thomas Casey

July 13, 2017

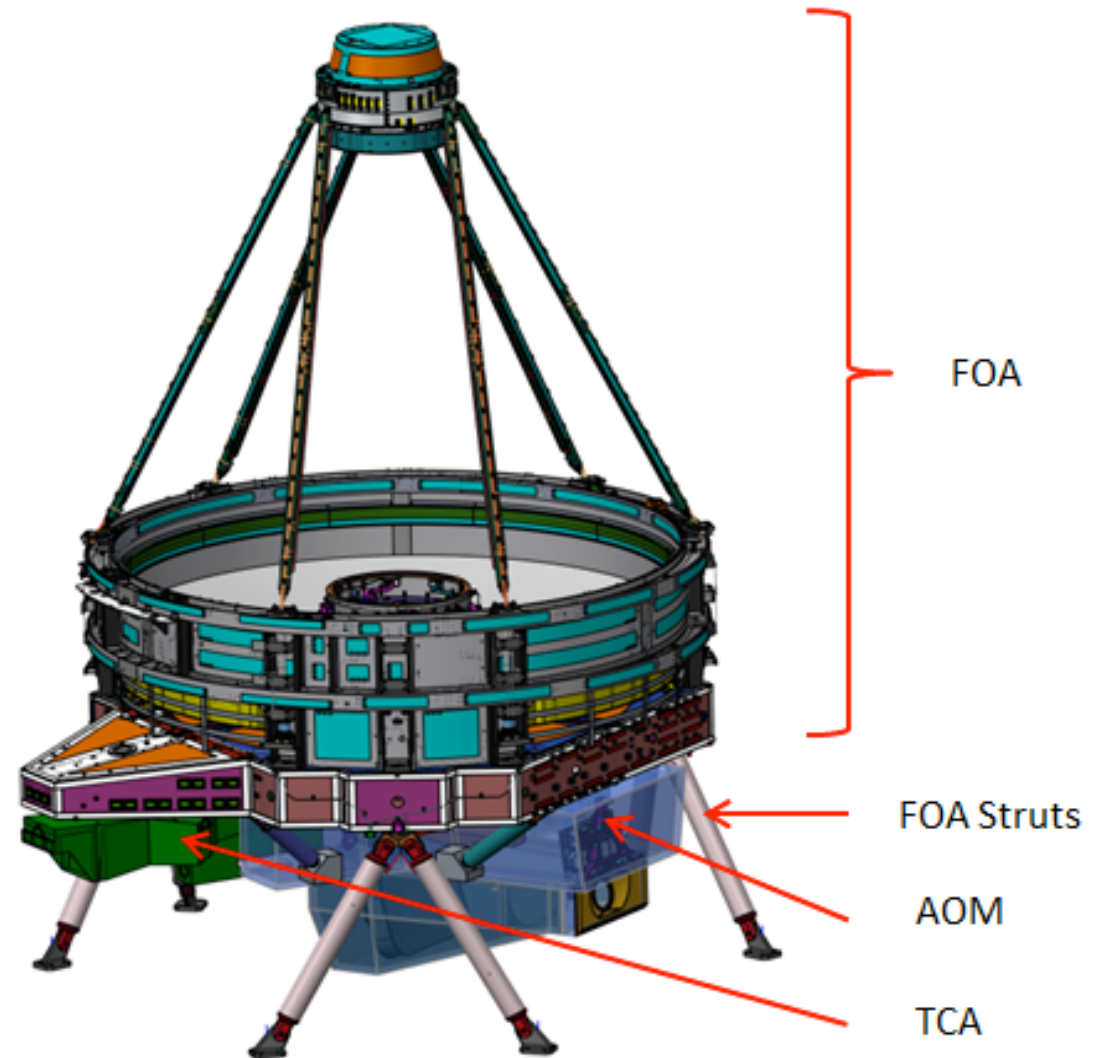
International Optical Design Conference

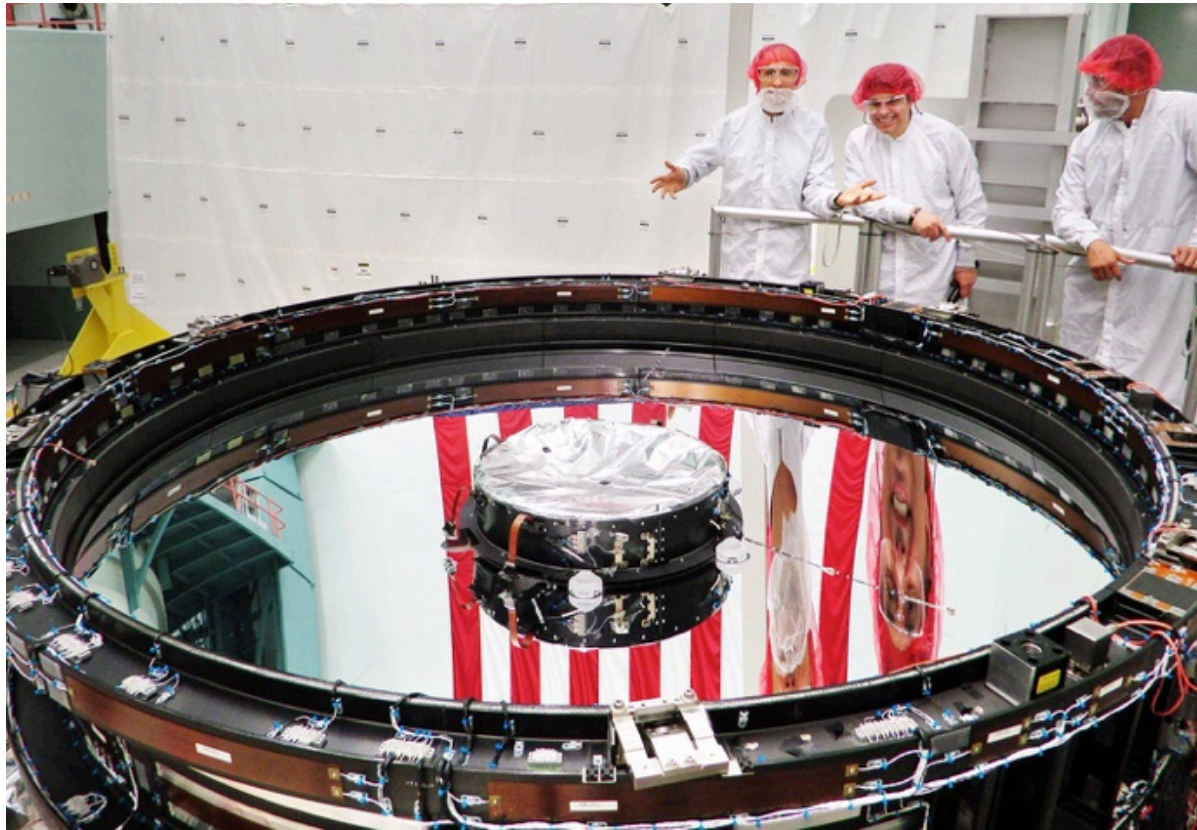
Denver, CO

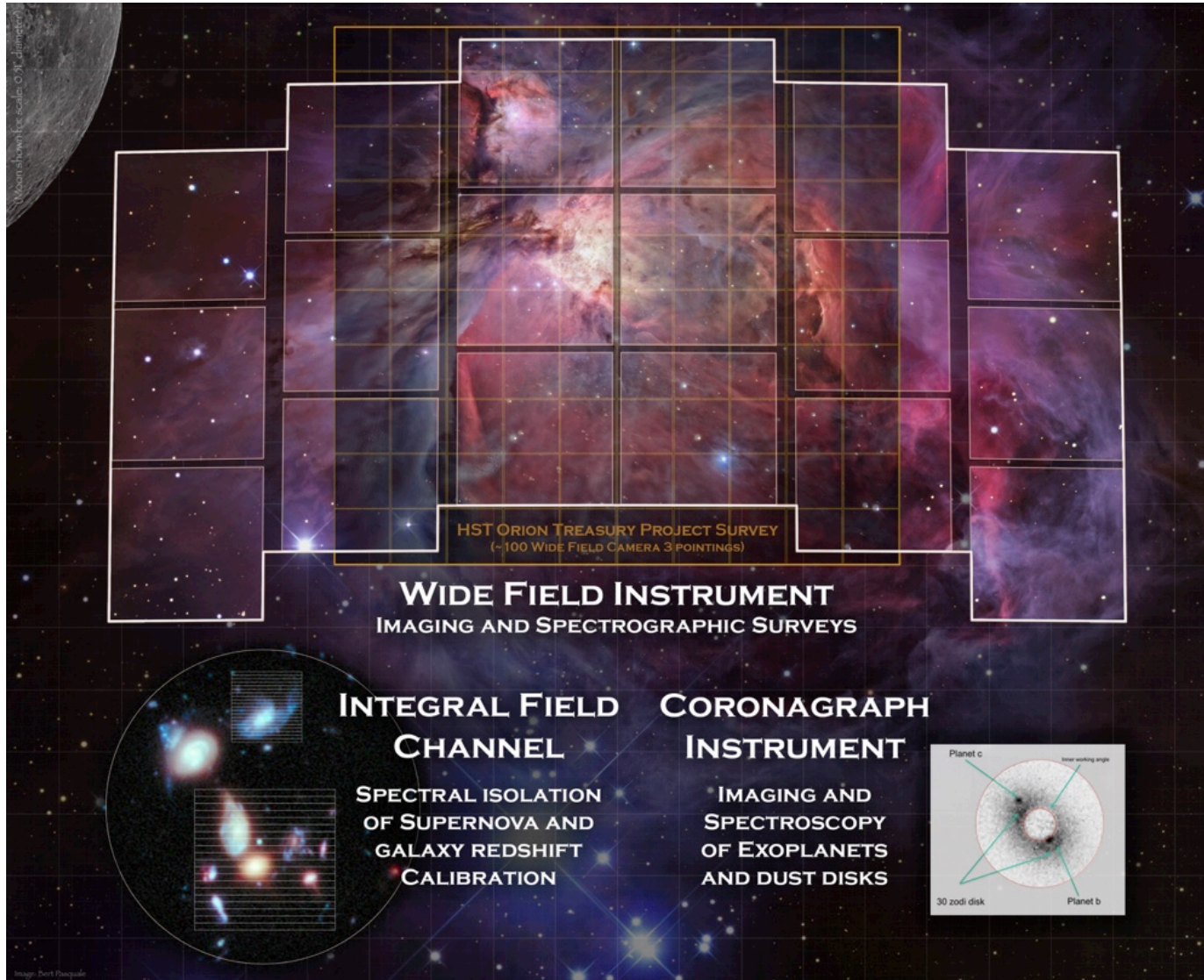
- OVERVIEW
- SCIENCE
- OBSERVATORY PHASE-A ARCHITECTURE CHANGES
- WIDE FIELD CHANNEL OPTICAL LAYOUT
- PERFORMANCE
- INTEGRAL FIELD CHANNEL

WFIRST Imaging Optics Assembly (IOA)

- Observatory architecture revamped for Phase-A
- Aft Optics Module (AOM)
 - WFC Aft Optics
 - IFC Relay Optics
- CGI Tertiary Collimator Assembly (TCA)

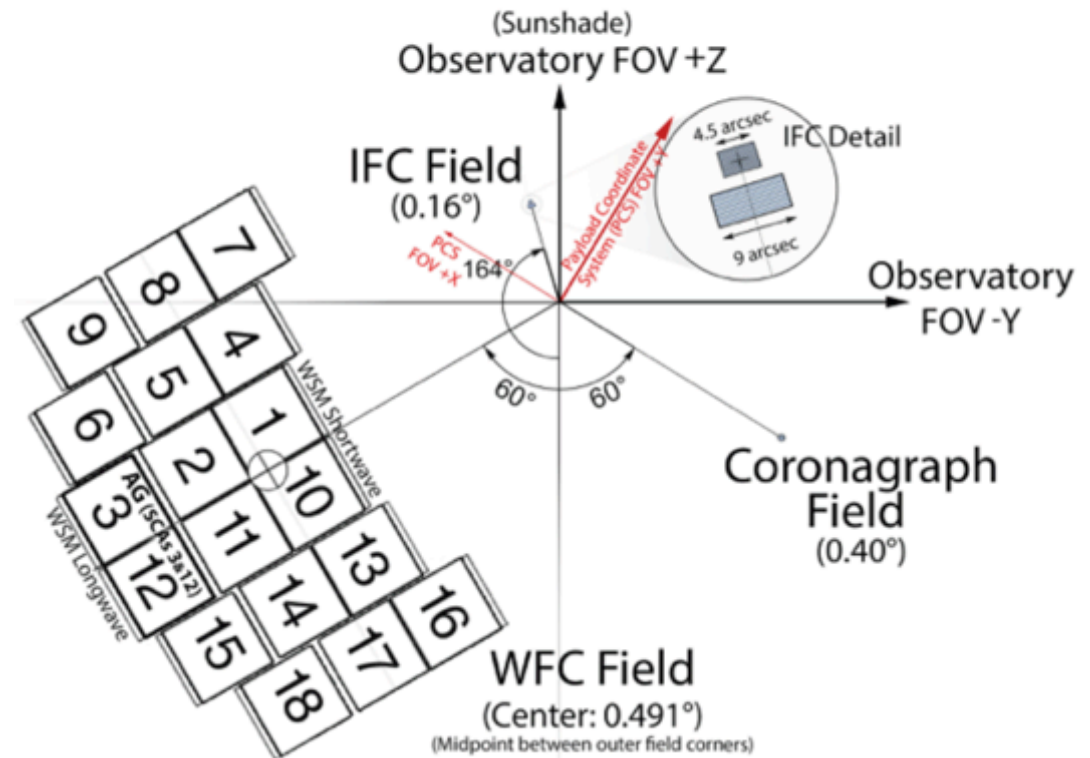


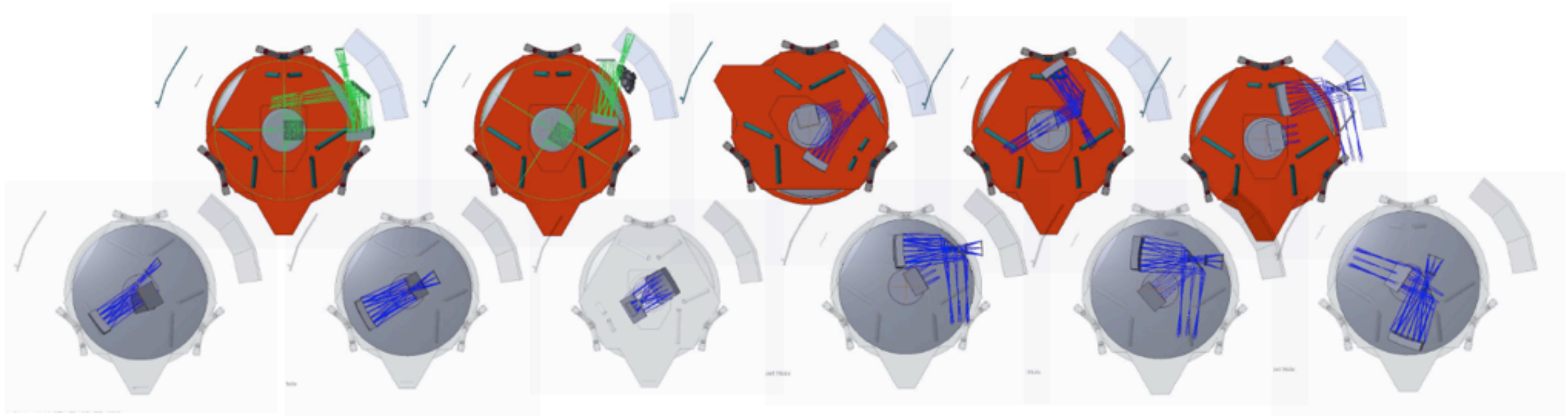




WFIRST Instrument Field of View Layout Sky Projection

Phase-A SRR Design (v.7.6.8)





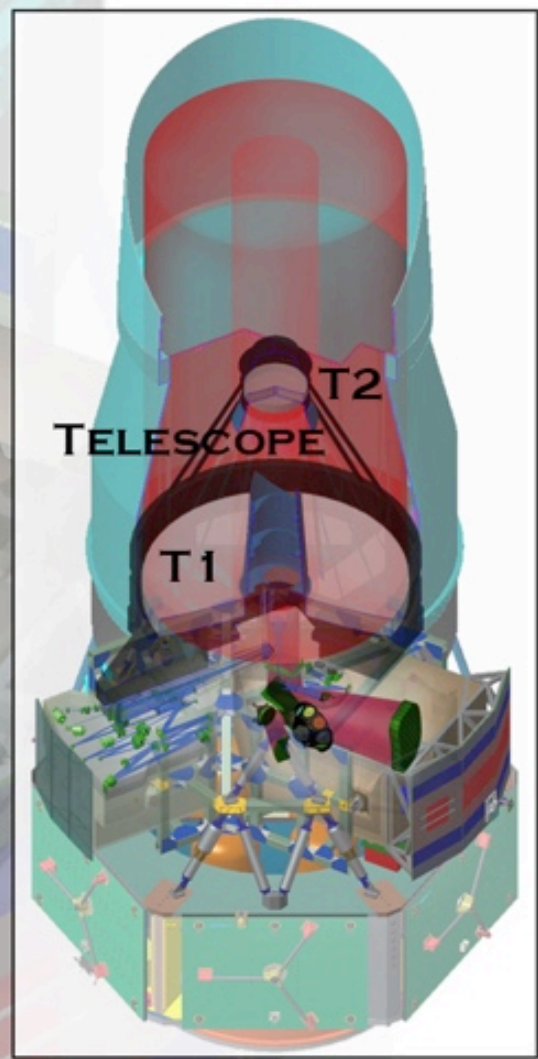
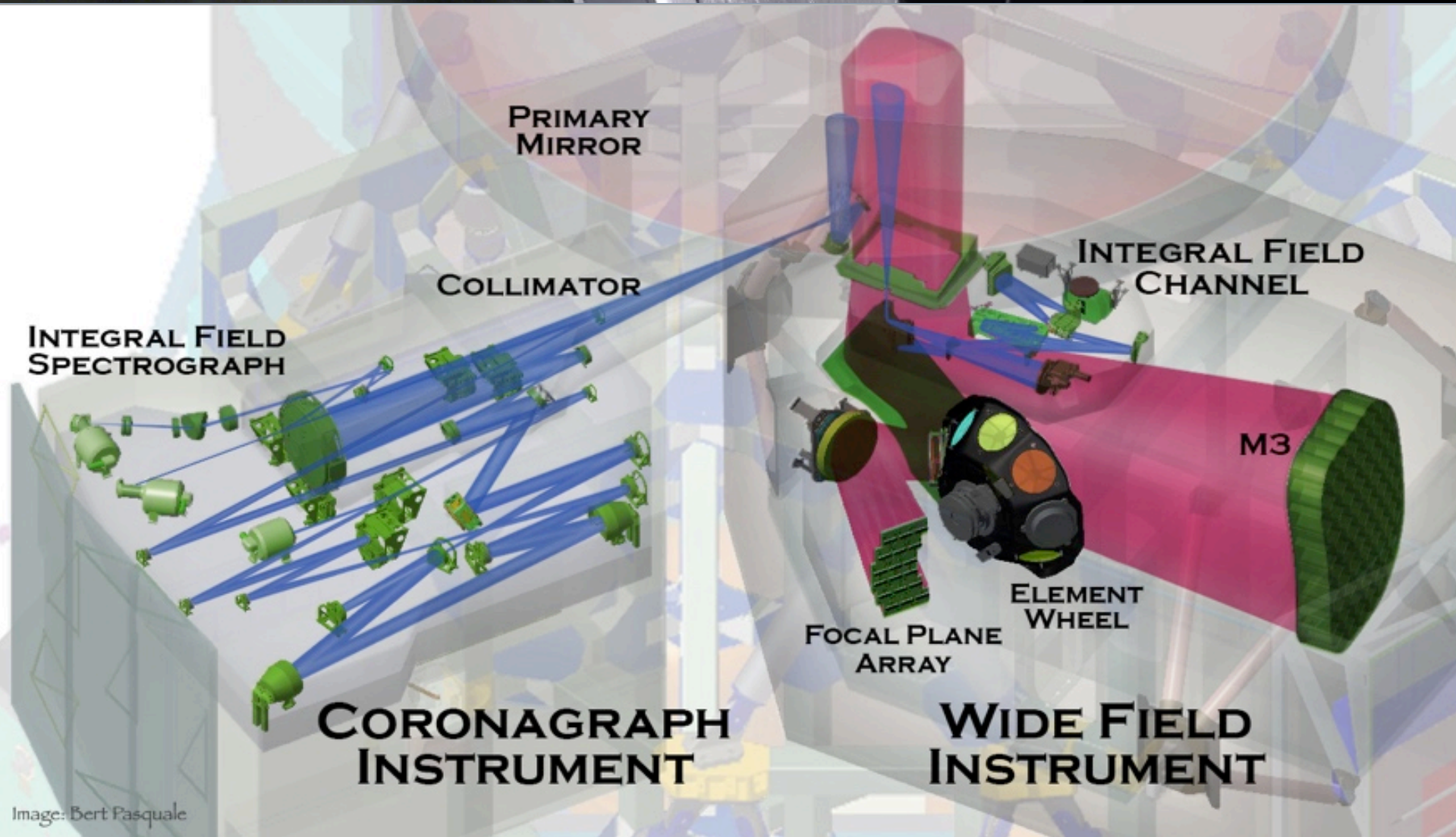
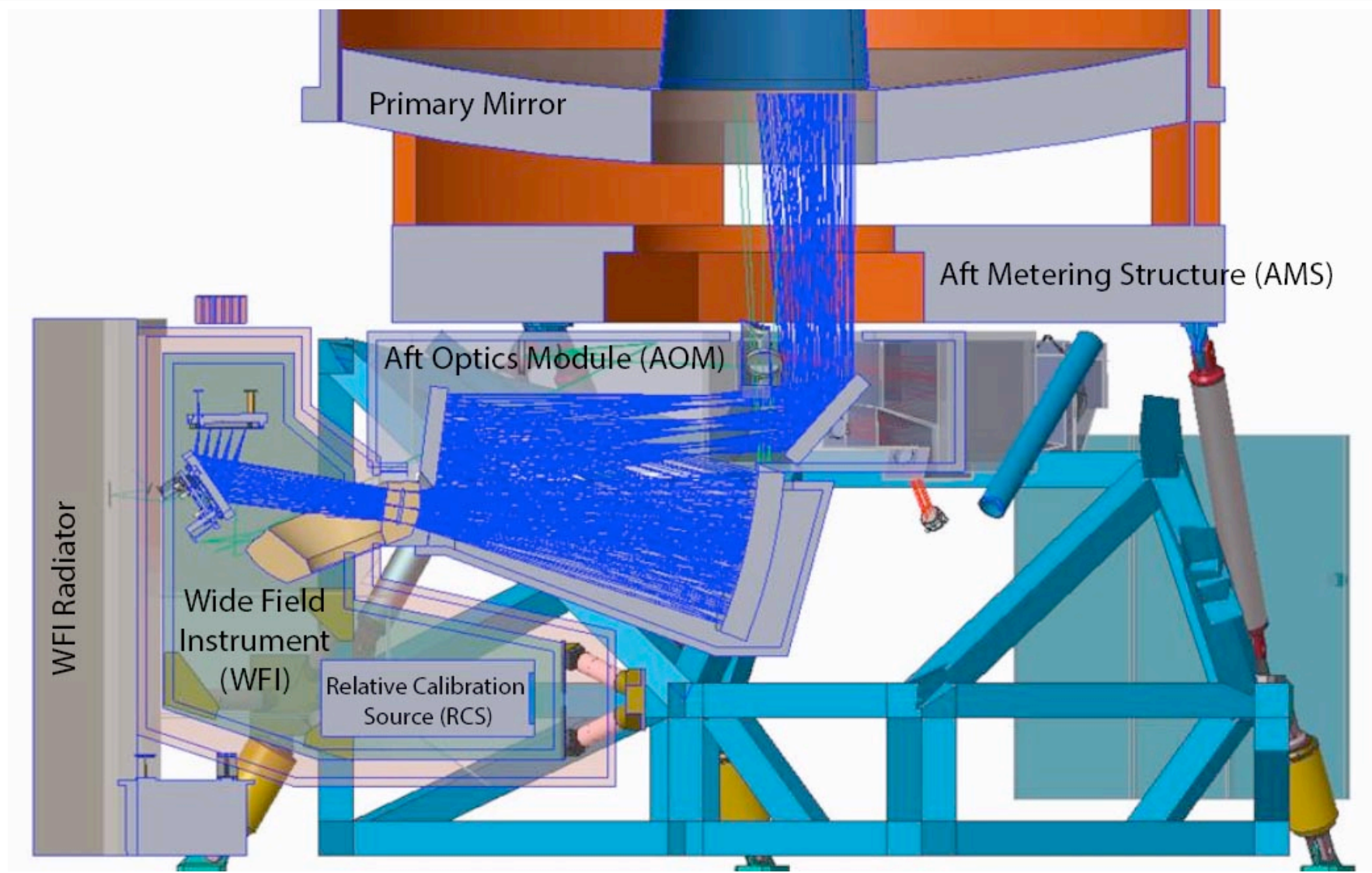
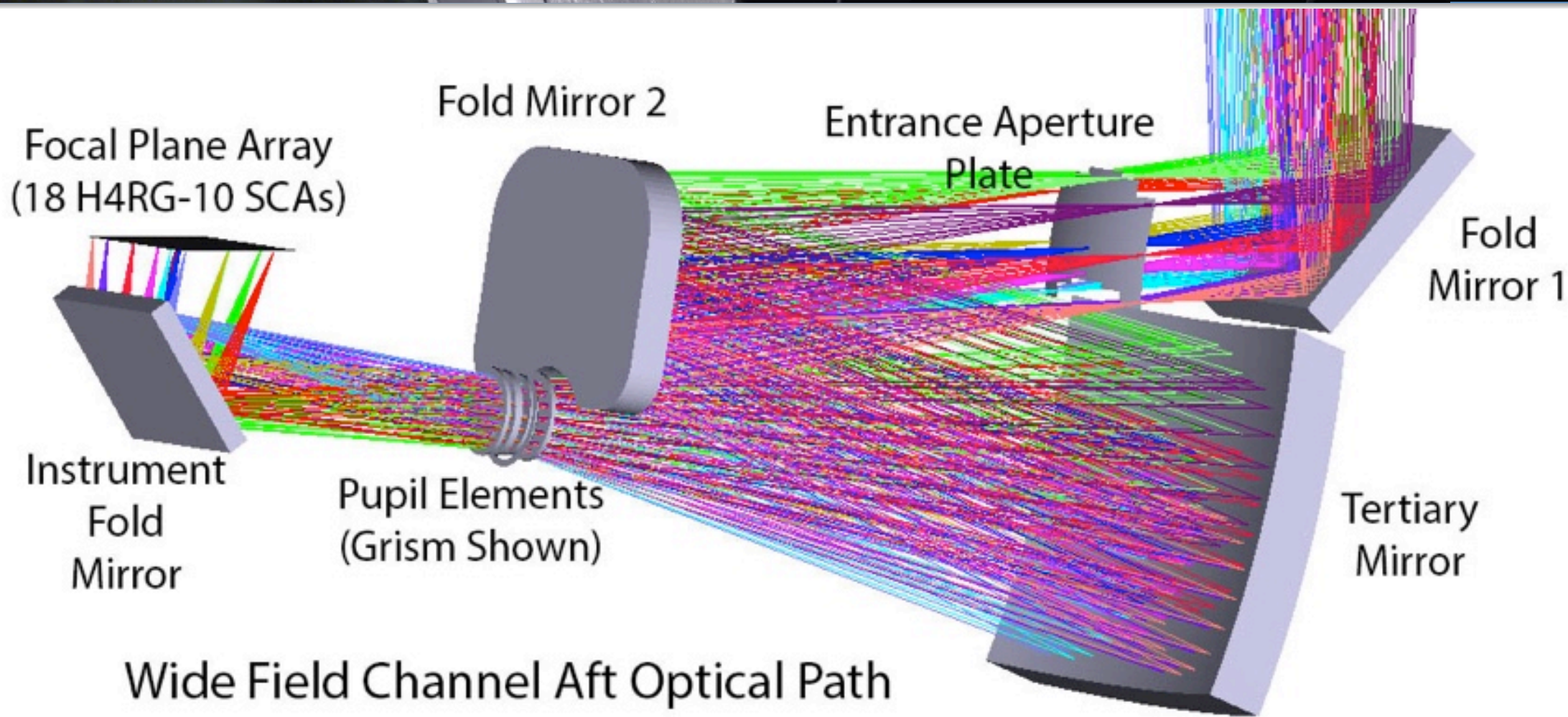
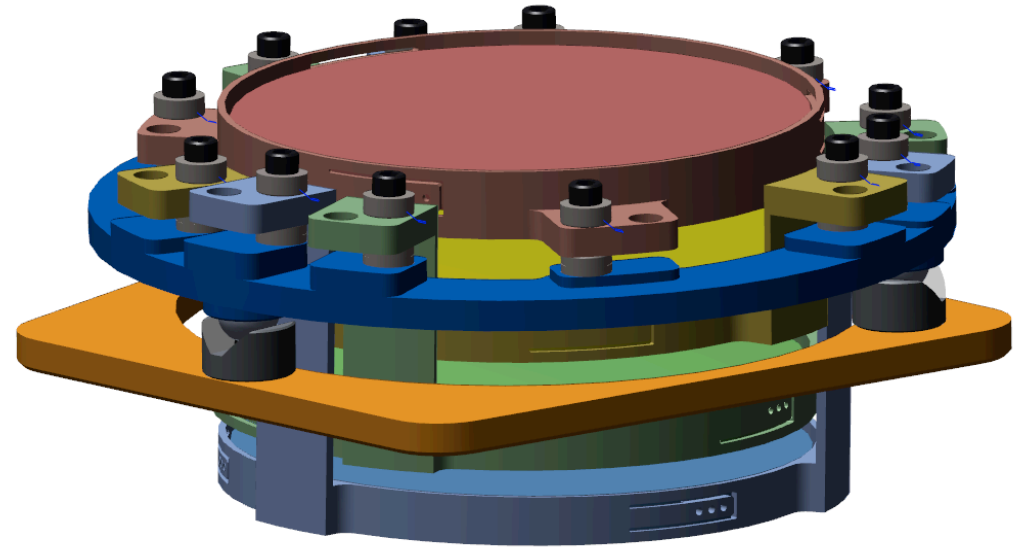
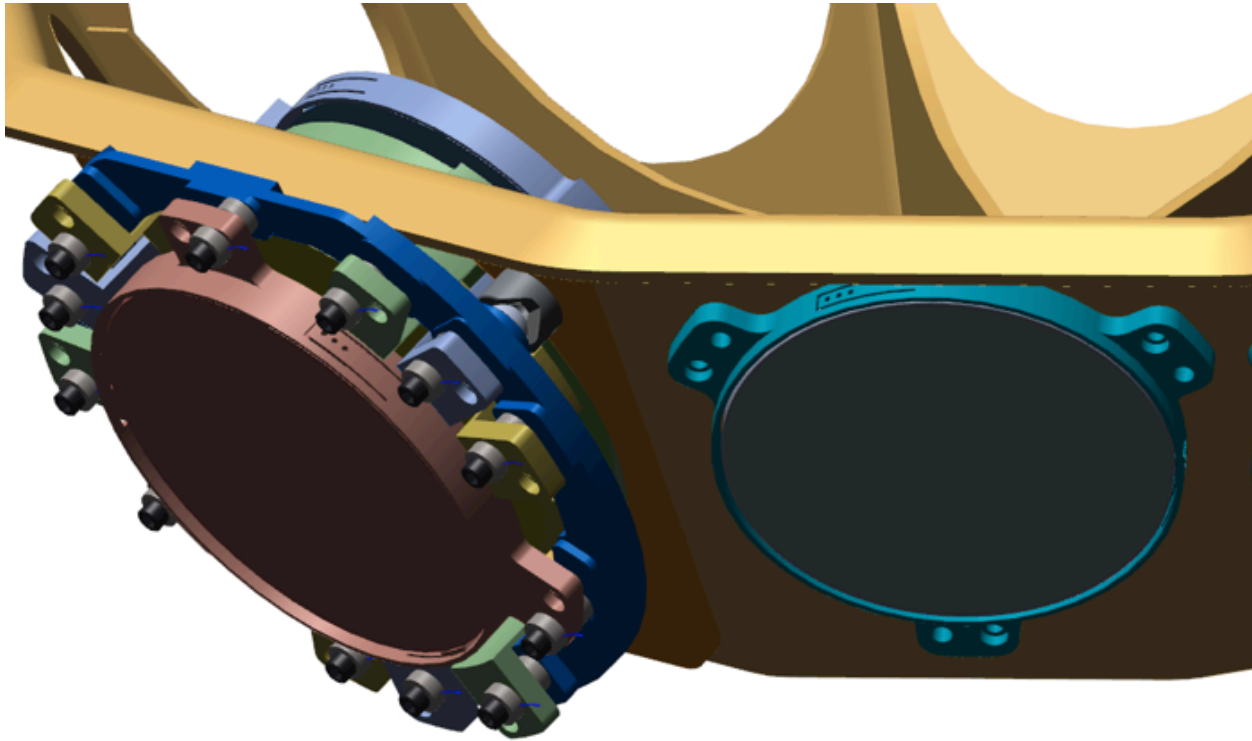
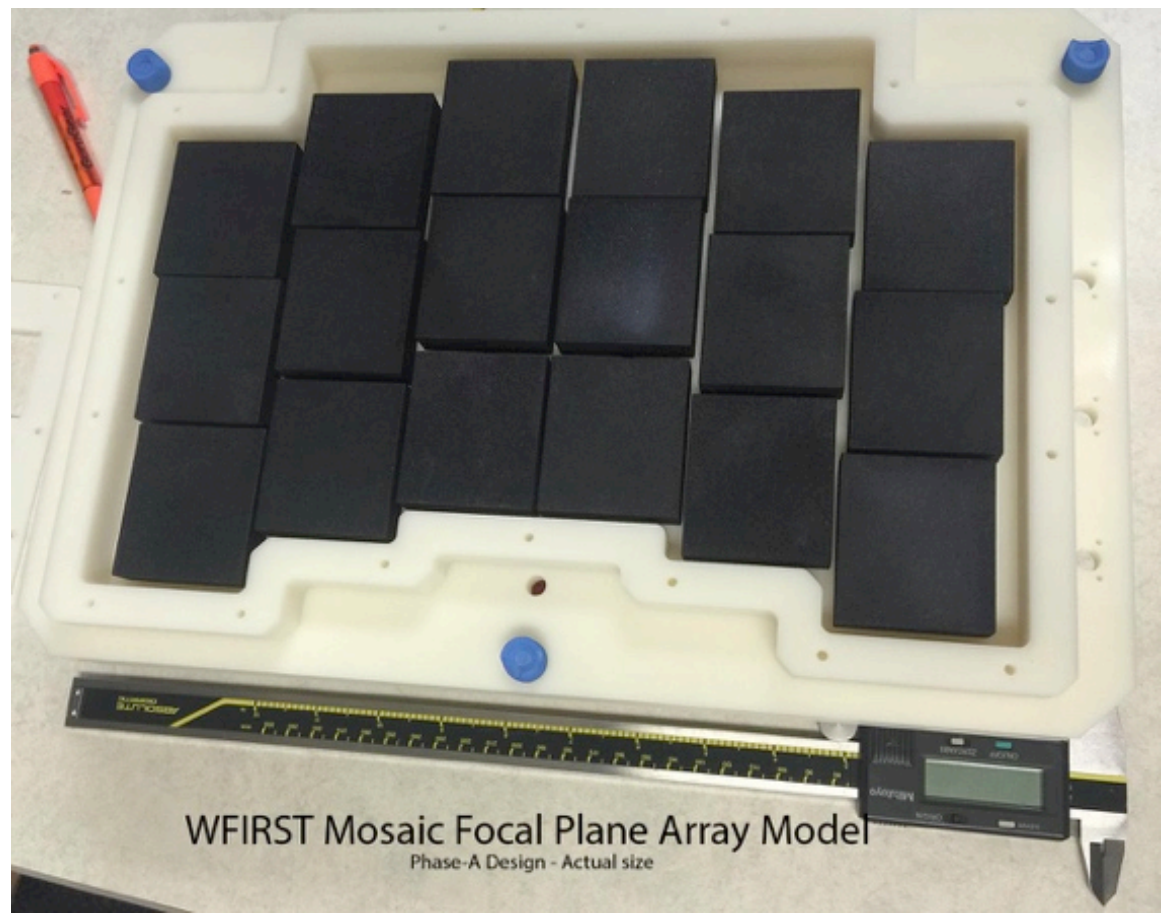


Image: Bert Pasquale

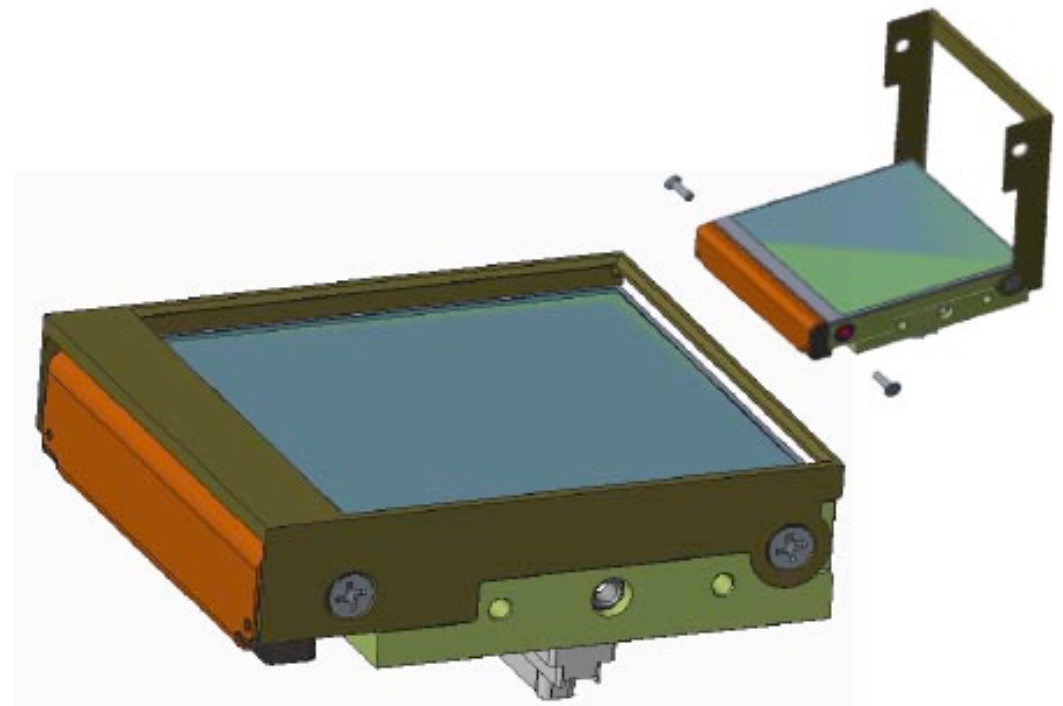


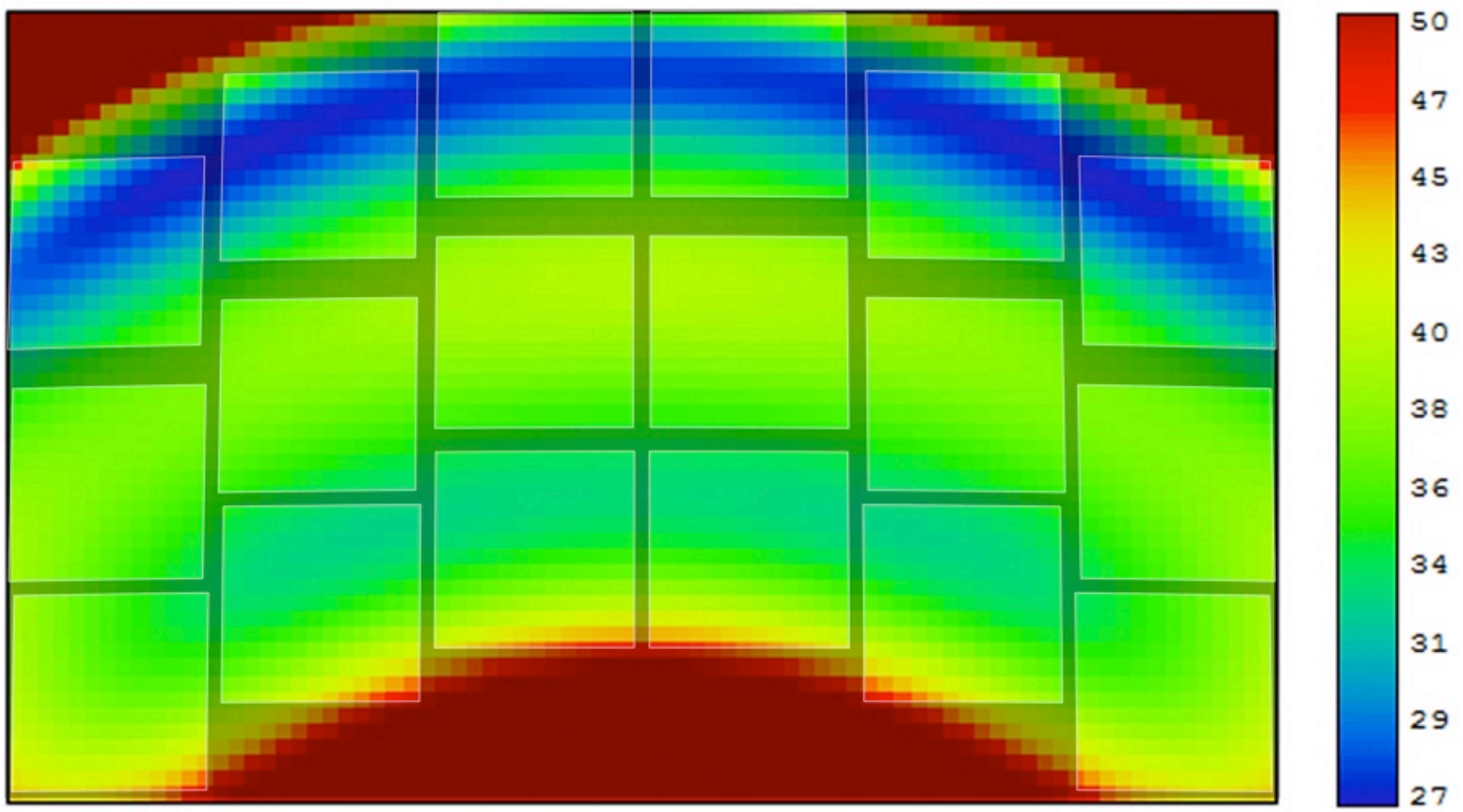


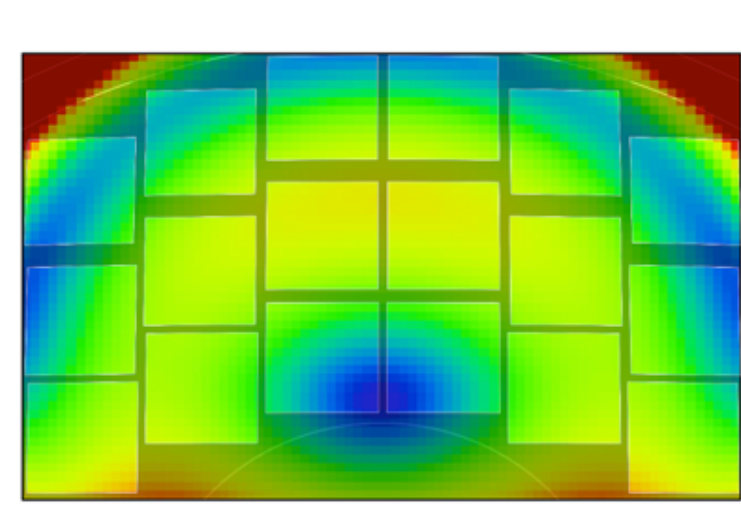




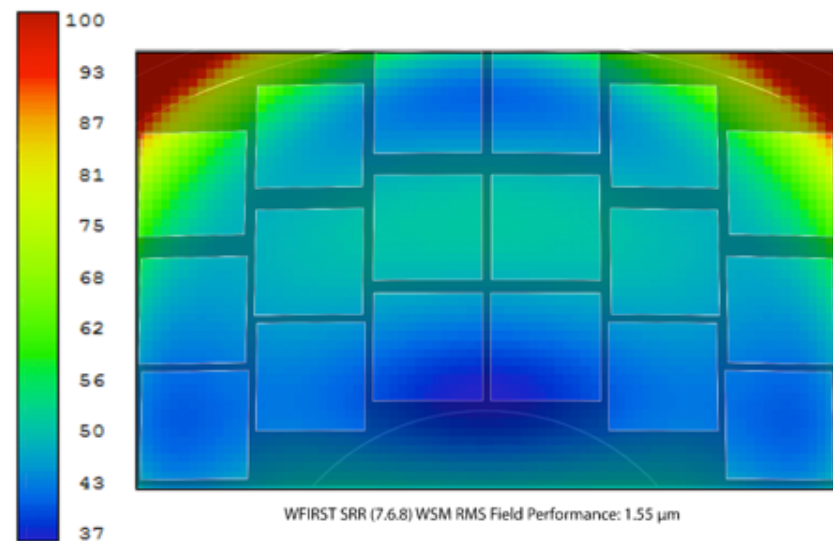
WFIRST Mosaic Focal Plane Array Model
Phase-A Design - Actual size



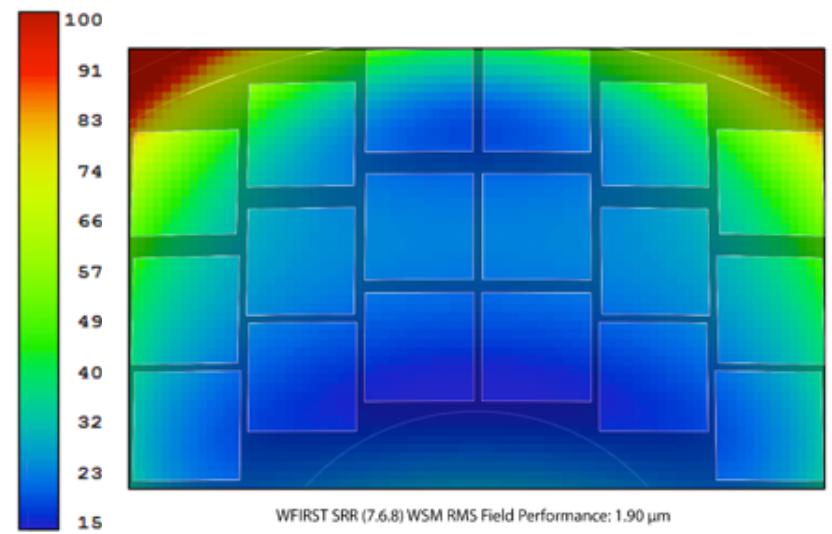




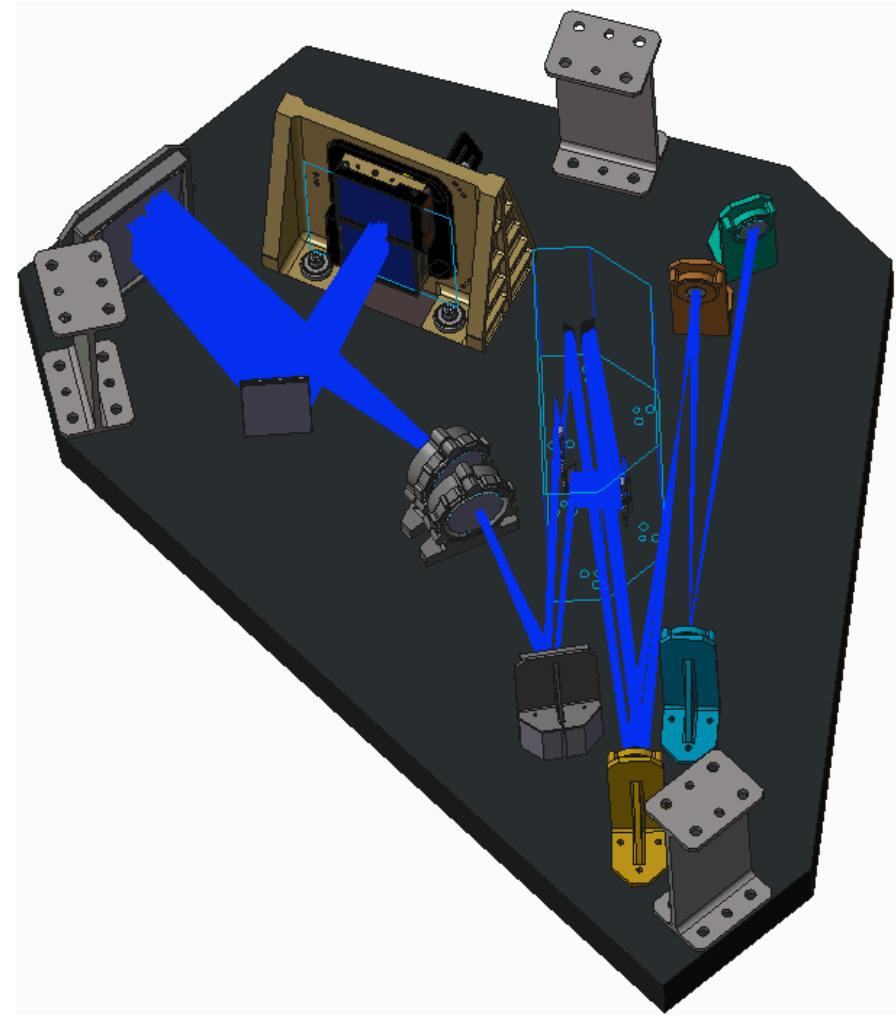
WFIRST SRR (7.6.8) WSM RMS Field Performance: 0.95 μm



WFIRST SRR (7.6.8) WSM RMS Field Performance: 1.55 μm



WFIRST SRR (7.6.8) WSM RMS Field Performance: 1.90 μm



- System Requirements Review (Late 2017)
- Optical sensitivities and predictive performance modeling
- Roadmap to the Phase-B proto-flight design work
- Inter-disciplinary analysis
- Scientific simulations
- Acquisition strategy



Thank You!



Questions & Answers

Bert.Pasquale@nasa.gov