



US009896681B2

(12) **United States Patent**
Goodwin et al.

(10) **Patent No.:** **US 9,896,681 B2**
(45) **Date of Patent:** ***Feb. 20, 2018**

- (54) **GENETIC REGULATION OF BONE AND CELLS BY ELECTROMAGNETIC STIMULATION FIELDS AND USES THEREOF**
- (71) Applicant: **The United States of America as Represented by the Administrator of the National Aeronautics and Space Administration, Washington, DC (US)**
- (72) Inventors: **Thomas J. Goodwin, Kemah, TX (US); Linda C. Shackelford, Webster, TX (US)**
- (73) Assignee: **The United States of America as represented by the National Aeronautics and Space Administration, Washington, DC (US)**

4,993,413	A	2/1991	McLeod
5,002,890	A	3/1991	Morrison
5,026,650	A	6/1991	Schwarz
5,153,132	A	10/1992	Goodwin
5,153,133	A	10/1992	Schwarz
5,155,034	A	10/1992	Wolf
5,155,035	A	10/1992	Schwarz
5,308,764	A	5/1994	Goodwin
5,627,021	A	5/1997	Goodwin
5,846,807	A	12/1998	Goodwin
6,485,963	B1	11/2002	Wolf
6,673,597	B2	1/2004	Wolf
6,730,498	B1	5/2004	Goodwin
6,919,205	B2	7/2005	Brighton
7,160,024	B2	1/2007	Dougherty, Sr.
7,179,217	B2	2/2007	Goodwin
7,456,019	B2	11/2008	Goodwin
2006/0229487	A1	10/2006	Goodwin
2007/0105769	A1	5/2007	Simon
2008/0138415	A1	6/2008	Hussain
2009/0234417	A1	9/2009	Pastena
2011/0105959	A1	5/2011	OConnor

(*) Notice: Subject to any disclaimer, the term of this patent is extended or adjusted under 35 U.S.C. 154(b) by 0 days.

This patent is subject to a terminal disclaimer.

(21) Appl. No.: **14/445,995**

(22) Filed: **Jul. 29, 2014**

(65) **Prior Publication Data**
US 2014/0342428 A1 Nov. 20, 2014

Related U.S. Application Data

(63) Continuation-in-part of application No. 12/899,815, filed on Oct. 7, 2010, now Pat. No. 8,795,147.

(51) **Int. Cl.**
A61N 2/00 (2006.01)
C12N 13/00 (2006.01)
A61N 2/02 (2006.01)

(52) **U.S. Cl.**
CPC *C12N 13/00* (2013.01); *A61N 2/02* (2013.01)

(58) **Field of Classification Search**
None
See application file for complete search history.

(56) **References Cited**
U.S. PATENT DOCUMENTS

4,839,046	A	6/1989	Chandler
4,988,623	A	1/1991	Schwarz

OTHER PUBLICATIONS

Au, et al., "Interactive effects of surface topography and pulsatile electrical field stimulation on orientation and elongation of fibroblasts and cardiomyocytes", *Biomaterials*, 28 (29):4277-93 (2007).
Hammond, et al., "Optimized suspension culture: the rotarinf-wall cessel", *Am J Physiol Renal Physiol*, 281:F12-25 (2001).
Reddy, et al., "Micronuclei in blood and bone marrow cells of mice exposed to specific complex time-varying pulsed magnetic fields", *Bioelectromagnetics*, 31:445-53 (2010).

Primary Examiner — Catherine S Hibbert
(74) *Attorney, Agent, or Firm* — Benjamin Aaron Adler

(57) **ABSTRACT**

The present invention provides methods to modify the genetic regulation of mammalian tissue, bone, cells or any combination thereof by preferential activation, up-regulation and/or down-regulation. The method comprises steps of tuning the predetermined profiles of one or more time-varying stimulation fields by manipulating the B-Field magnitude, rising slew rate, rise time, falling slew rate, fall time, frequency, wavelength, and duty cycle, and exposing mammalian cells or tissues to one or more tuned time-varying stimulation fields with predetermined profiles. Examples of mammalian cells or tissues are chondrocytes, osteoblasts, osteocytes, osteoclasts, nucleus pulposus, associated tissue, or any combination. The resulted modification on gene regulation of these cells, tissues or bones may promote the retention, repair of and reduction of compromised mammalian cartilage, bone, and associated tissue.

19 Claims, 8 Drawing Sheets

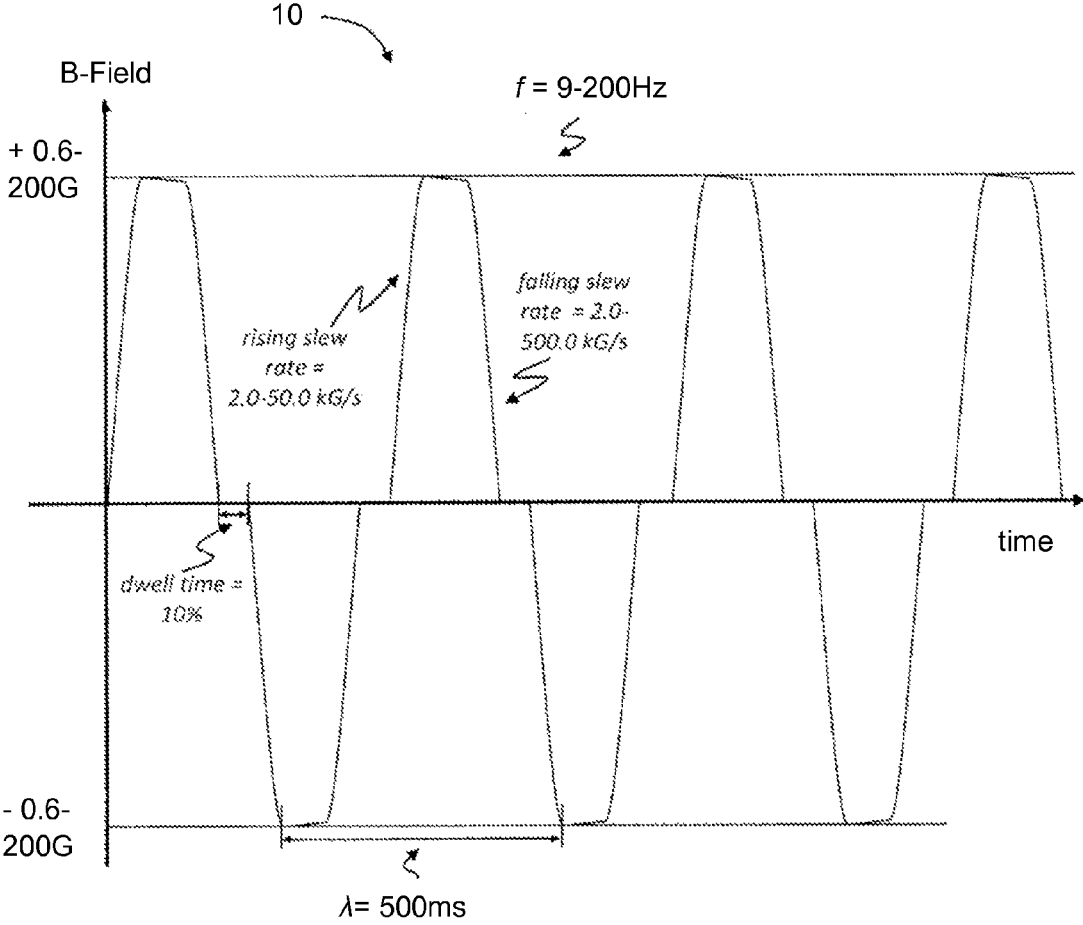


FIG. 1

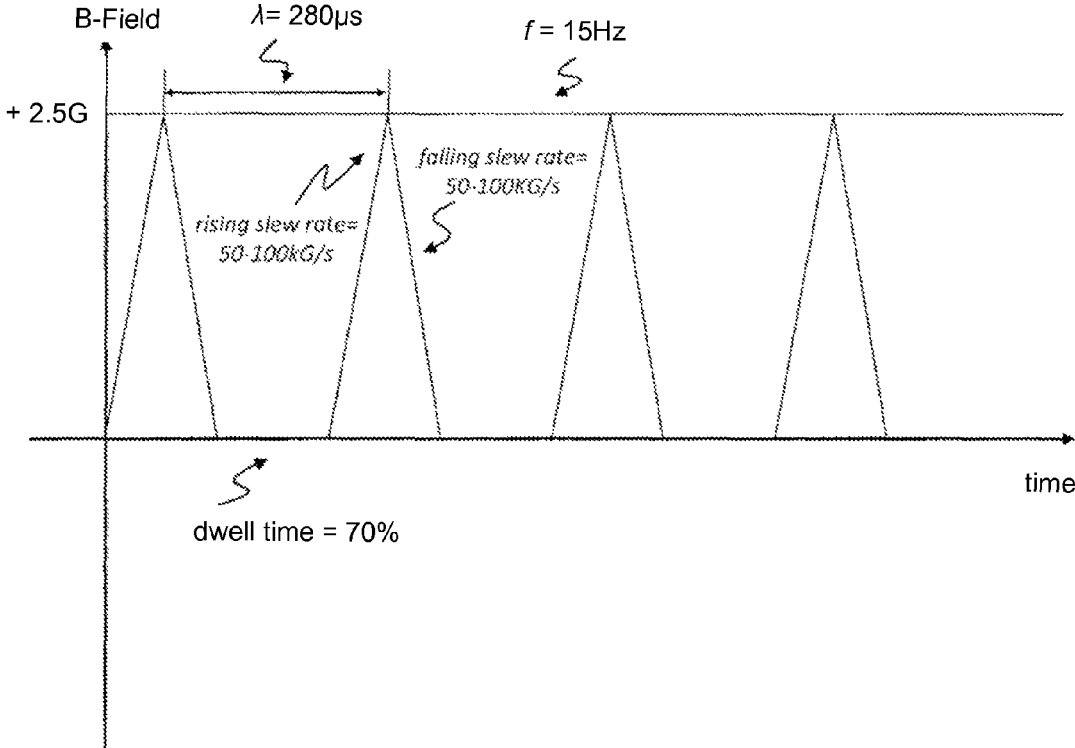


FIG. 2

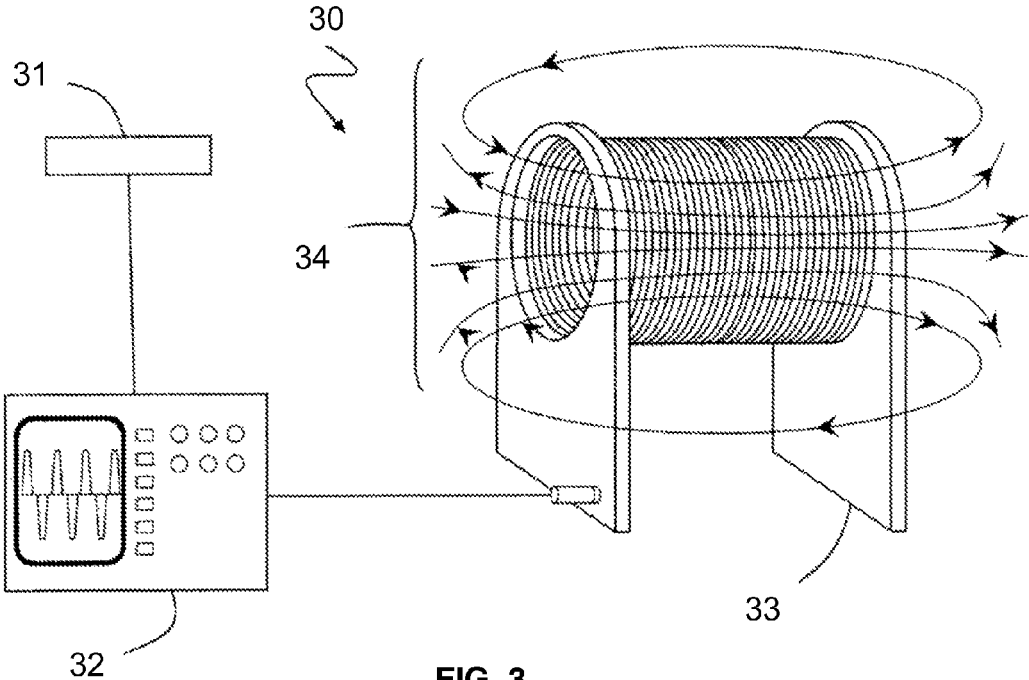


FIG. 3

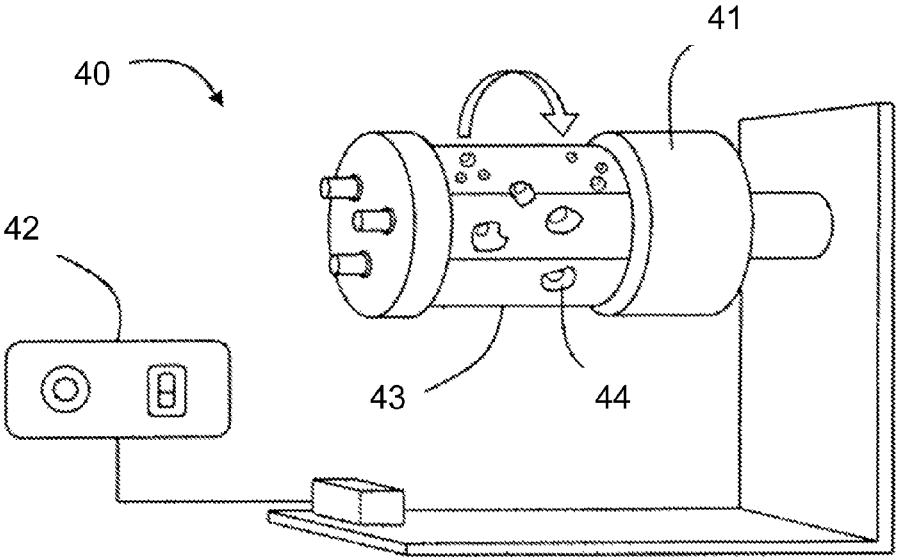
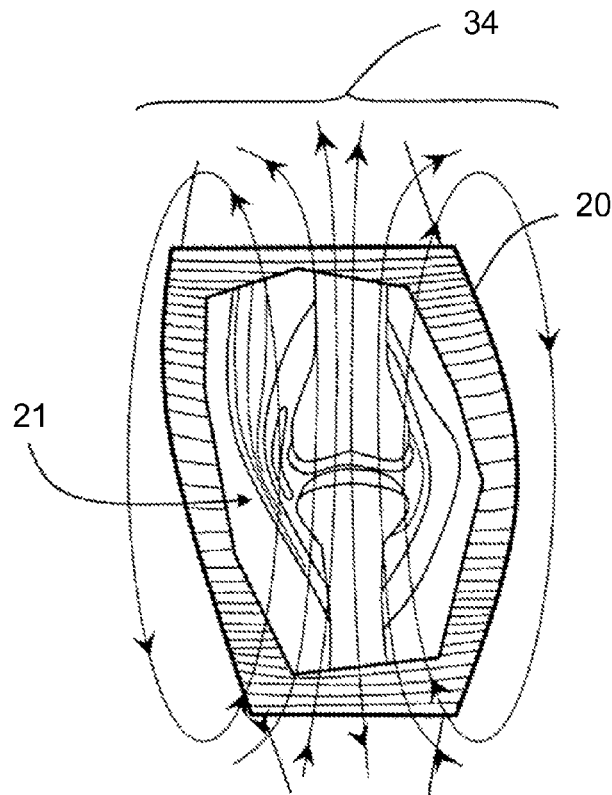
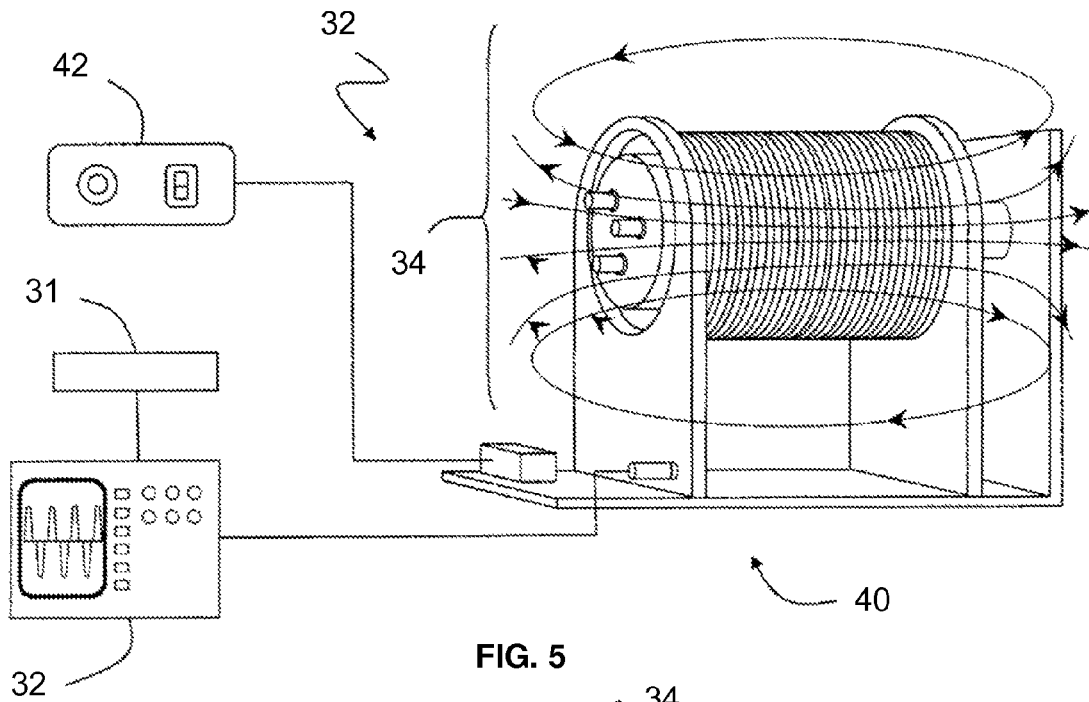


FIG. 4



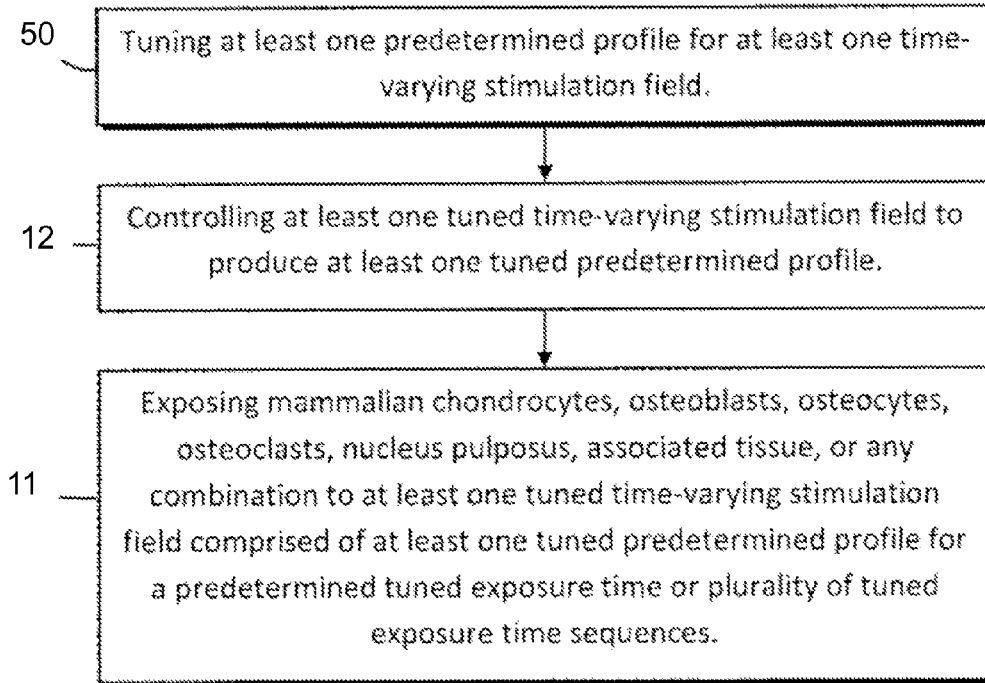


FIG. 7

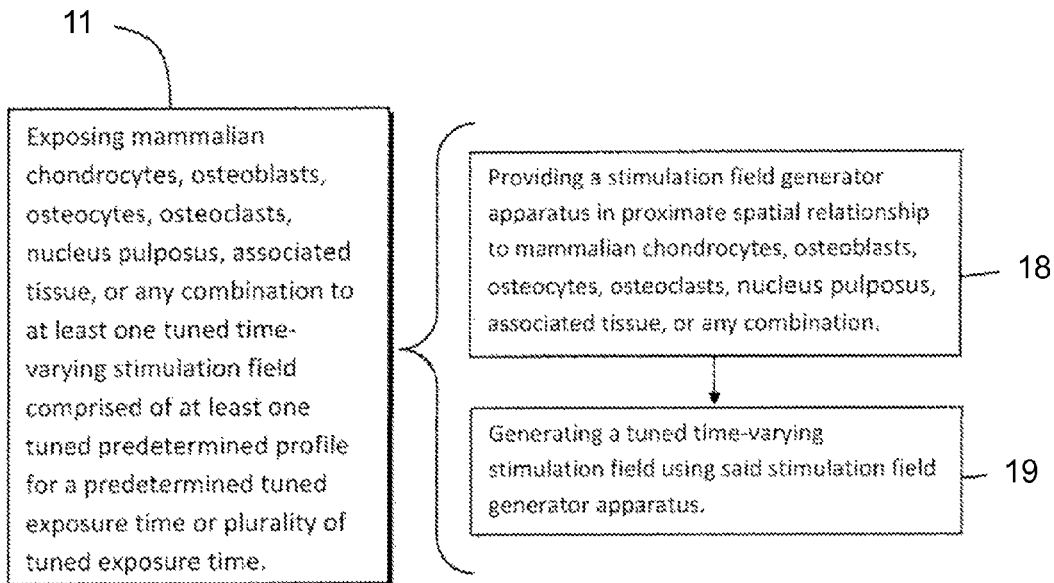


FIG. 8

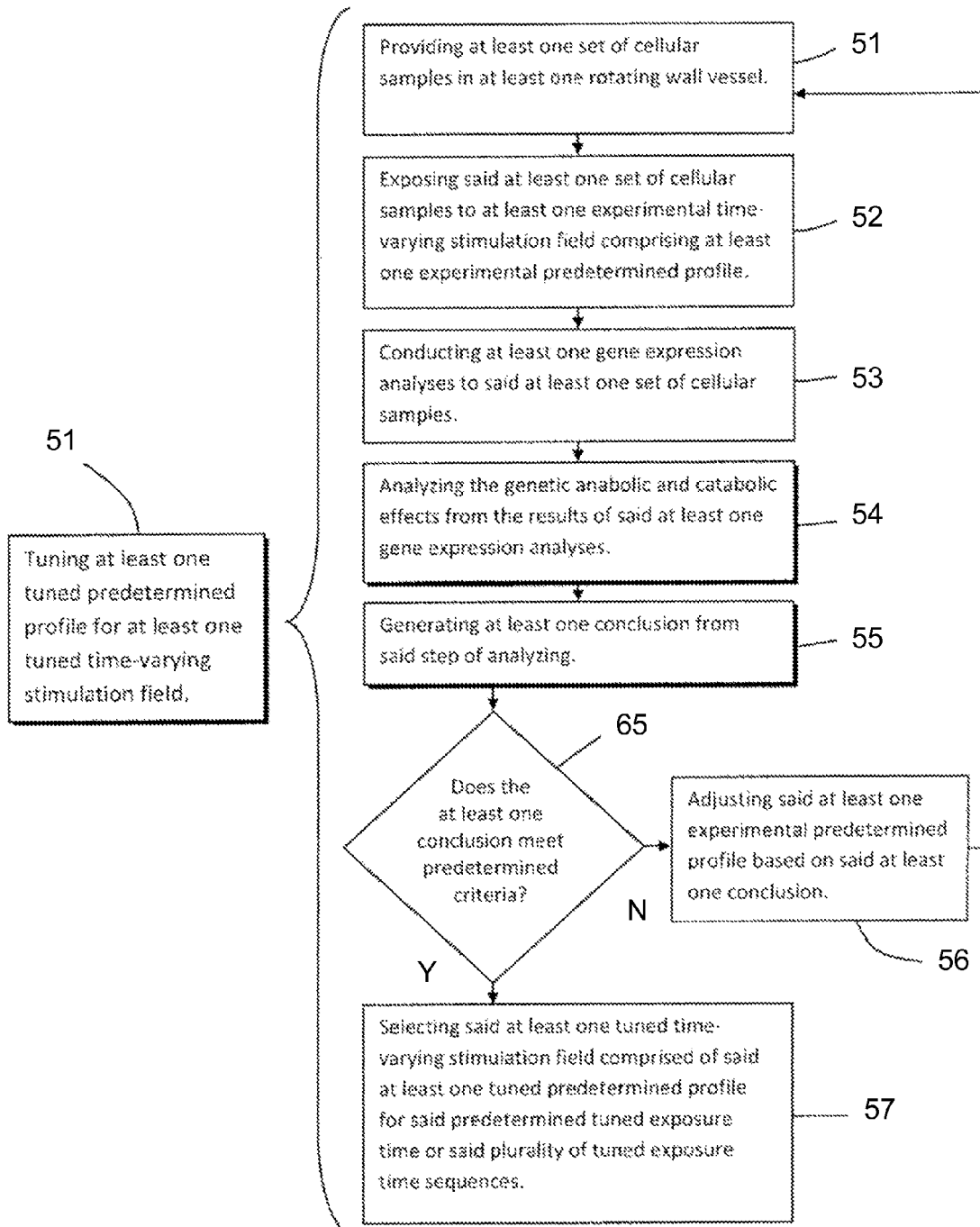


FIG. 9

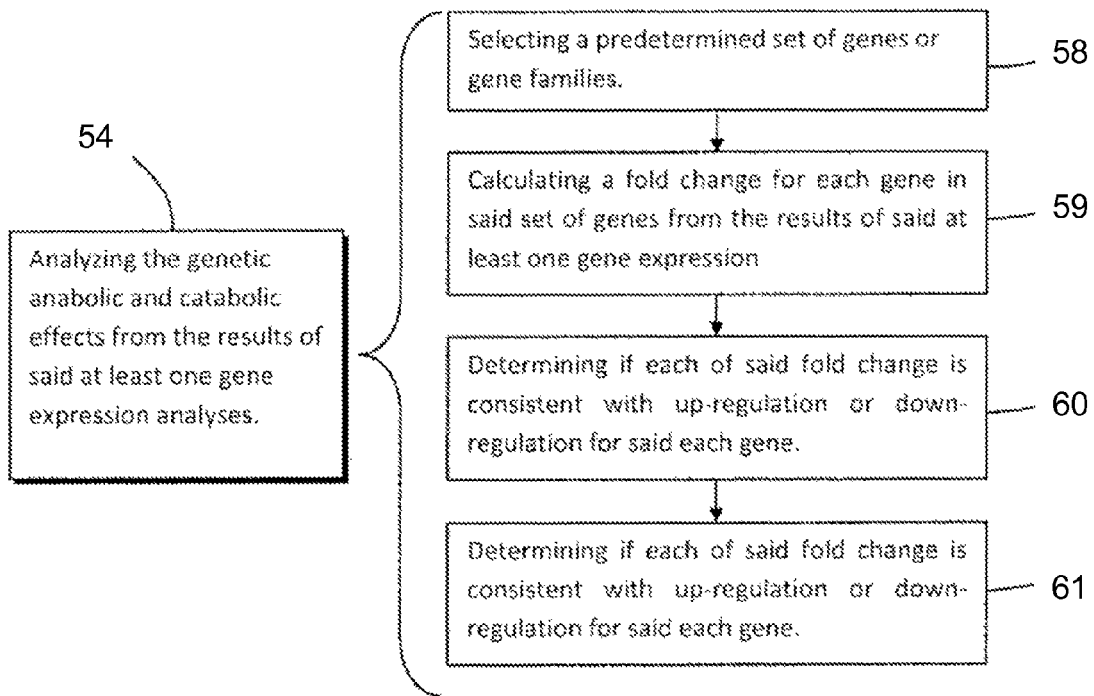


FIG. 10

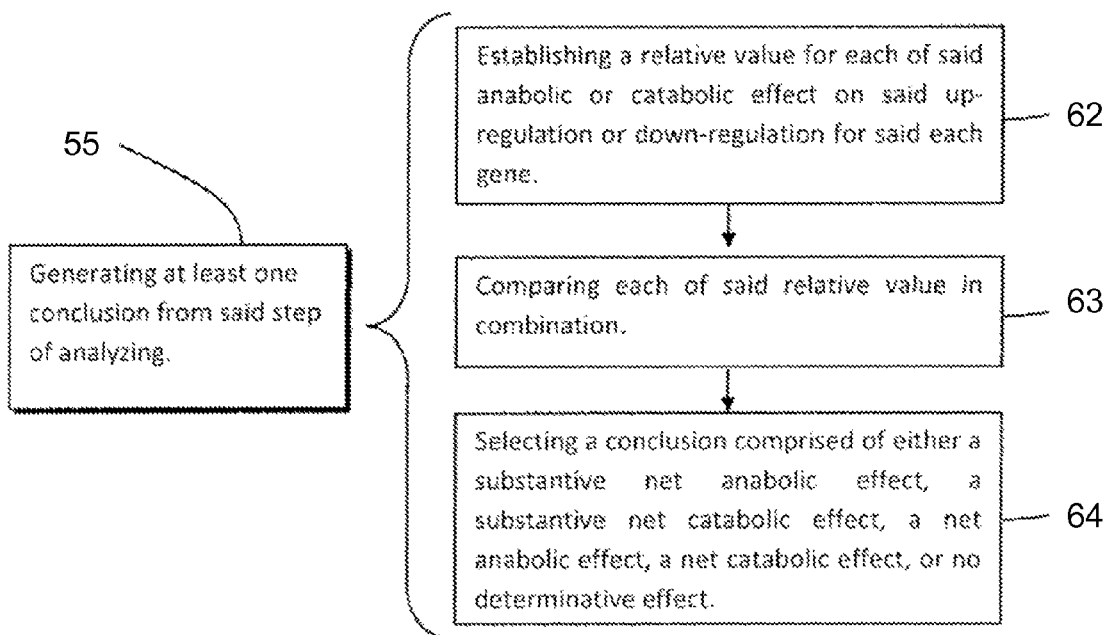


FIG. 11

1

GENETIC REGULATION OF BONE AND CELLS BY ELECTROMAGNETIC STIMULATION FIELDS AND USES THEREOF

ORIGIN OF THE INVENTION

The invention described herein was made by employees of the United States Government and may be manufactured and used by or for the Government of the United States of America for governmental purposes without the payment of any royalties thereon or therefor.

BACKGROUND OF THE INVENTION

1. Field of the Innovation

The present innovation relates generally to the fields of biophysics, bioelectromechanics, tissue regeneration, tissue culture, and neurophysiology. More specifically, the present innovation relates to the use of an electromagnetic field, and preferably, a time-varying magnetic field, for modifying, potentiating or controlling the growth and specific genetic expression of biological cells and tissue, such as mammalian tissue. More specifically, the present innovation relates to the use of a noninvasive method and apparatus comprising relatively low frequency magnetic fields for modifying the genetic regulation of mammalian chondrocytes, osteoblasts, osteocytes, osteoclasts, nucleus pulposus, associated tissue, or any combination.

2. Background and Related Art

Cartilage is a type of dense connective tissue existing within many joints and is composed of specialized cells called chondrocytes that produce a large amount of extracellular or cartilaginous matrix comprised of actin and collagen fibers, proteoglycans, glycosaminoglycans, and elastin fibers. Chondrocytes are the only cells found in cartilage.

Unlike other connective tissues, cartilage does not contain blood vessels or is referred to as avascular. Thus, compared to other connective tissues, cartilage grows and repairs more slowly.

There are several diseases which can affect the cartilage. Chondrodystrophies are a group of diseases characterized by disturbance of growth and subsequent ossification of cartilage. Osteoarthritis (OA) is a common disease affecting cartilage.

Cartilage has limited repair capabilities, because chondrocytes are bound in lacunae, they cannot migrate to damaged areas. Therefore, if damaged, cartilage is difficult to heal. Also, because hyaline cartilage does not have a blood supply, the deposition of new cartilaginous matrix is slow.

Acetaminophen/paracetamol is generally used as a first line treatment and anti-inflammatory drugs (NSAIDs) are only recommended as add on therapy if pain relief is not sufficient. There is a need to find definitive answers and to develop procedures that relieve arthritis symptoms and produce a durable replacement for damaged cartilage.

Bones are rigid organs that form part of the endoskeleton of vertebrates. One of the types of tissue that makes up bone is the mineralized osseous tissue, also called bone tissue, which gives it rigidity and a honeycomb-like three-dimensional internal structure.

There are several types of cells constituting the bone. For example, osteoblasts are mononucleate bone-forming cells that descend from osteoprogenitor cells. They are located on the surface of osteoid seams and make a protein mixture

2

known as osteoid, which mineralizes to become bone. Osteoid is primarily composed of Type I collagen.

In the disease commonly known as osteoporosis, bone demineralizes and becomes abnormally rarefied. Diminished bone density may lead to vertebrae collapse, fractures of hips, lower arms, wrists, ankles as well as incapacitating pains.

Current therapies comprise invasive procedures (e.g. surgery or drug administration) as opposed to the described innovation which is a non-invasive procedure. Alternative nonsurgical therapies for such diseases include electrical bone growth stimulation comprised of electric and magnetic field therapies. However these therapies are moderately invasive as they rely on either skin contact or insertion of probes/electrodes into the tissues.

Nucleus pulposus is the jelly-like substance in the middle of the spinal disc that functions to distribute hydraulic pressure in all directions within each disc under compressive loads. The nucleus pulposus comprises disc chondrocytes (as opposed to articular chondrocytes), collagen fibrils, and proteoglycan aggrecans that have hyaluronic long chains which attract water. Attached to each hyaluronic chain are side chains of chondroitin sulfate and keratan sulfate.

Electric and Magnetic Fields

An electric field is a property that describes the space that surrounds electrically charged particles. Electric fields are created by differences in electric potential or voltage: i.e., the higher the voltage, the stronger will be the resultant electric field. In contrast, magnetic fields that are generated electromagnetically are created when electric current flows: i.e., the greater the current, the stronger the magnetic field. An electric field will exist even when there is no current flowing. In contrast, a magnetic field generated electromagnetically will not exist when there is no current. If current does flow, the strength of the magnetic field that is generated electromagnetically will vary with power consumption but the electric field strength will be constant. Resultant forces are related to both electric and magnetic fields. The force associated with an electric field depends on a stationary or static charge. Conversely, the force exerted on a charged particle associated with a magnetic field (i.e., Lorentz force) depends on a moving charge. Further, electric and magnetic fields are not entirely mutually exclusive. For example, charged particles do not only produce electric fields. As charges move, they generate magnetic fields, and if the magnetic field changes, the change in said magnetic field will generate electric fields. Thus weak metals (ions) such as Ca^{2+} , K^+ , Li^+ , and Mg^{2+} are all subject to modulation or resonance effect and can be made to move sub-cellularly due to magnetic flux. Stated differently, a changing magnetic field gives rise to an electric field. In nature lightning is an example of an atmospheric electrical discharge that creates an attendant magnetic field.

Electrical Stimulation Therapies

Electrical stimulation therapies include: capacitive coupling (CC); and direct current (DC) or direct coupling. The original basis for forms of electric stimulation therapy was the observation that physical stress on bone causes the appearance of tiny electric currents (i.e., a piezo-electric effect) that, along with mechanical strain, were thought to be the mechanisms underlying transduction of the physical stresses (compression and tension) into an electrical signal that promotes bone formation. CC relies on an electric field that is generally generated by 2 capacitive plates or electrodes placed on a patient's skin on opposite ends of a region of interest to apply electrical stimulation in the region of interest. DC-based therapies require the placement of oppos-

ing electrodes in direct contact with the skin surface surrounding the tissue of interest (Trock, 2000) and generally involve implantation of the electrodes. The region of interest is stimulated by a constant direct current.

Magnetic Field Therapies

Magnetic field therapies include: time-varying magnetic field (TVMF) therapies including pulsed electromagnetic field (PEMF) therapies. The general use of time-varying magnetic fields to stimulate the growth of cells has been disclosed in the related art. It has been theorized that the piezo-electric properties in human tissue such as bone and cartilage forms the basis for regulating bone and cartilage formation. Specifically, because a magnetic field imposes a force on magnetic particles and moving electrically charged particles, the magnetic field forces simulate physical stress in human tissue thereby resulting in small, induced currents (Faraday currents) in the tissue's highly conductive extracellular fluid. In general, time-varying magnetic field therapies involve the use of coils to electrically generate a magnetic field. PEMFs are considered a subset of time-varying magnetic field therapies and are generally associated with pulses or bursts in its waveforms. Resultant waveforms used in PEMF therapies can be substantially monophasic, substantially biphasic, substantially square, sinusoidal, or substantially triangular. Further, PEMF therapies are generally comprised of frequencies on the lower end of the electromagnetic spectrum such as from 6-500 Hz. Further, waveforms used in PEMF therapies generally have high rising and falling slew rates on the order of Tesla/sec, thereby promoting said pulses or bursts.

In U.S. Pat. No. 7,179,217 an apparatus for enhancing tissue repair in mammals is disclosed. The disclosed apparatus comprises: a sleeve for encircling a portion of a mammalian body part, said sleeve comprising an electrically conductive coil capable of generating a magnetic field when an electrical current is applied thereto, means for supporting the sleeve on the mammalian body part; and a means for supplying the electrically conductive coil with a square wave time-varying electrical current sufficient to create a time-varying magnetic force of from approximately 0.05 G to 0.5 G within the interior of the coil in order that when the sleeve is placed on a mammalian body part and the time-varying magnetic force of from approximately 0.05 G to 0.5 G is generated on the mammalian body part for an extended period of time, tissue regeneration within the mammalian body part is increased to a rate in excess of the normal tissue regeneration rate that would occur without application of the time-varying magnetic force. The electrically conductive coil is preferably a ferromagnetic material, such as wire, with approximately ten windings per inch. The sleeve can be placed on a body part, e.g. an arm or a leg, of the mammal and the body part exposed to the 0.05 G to 0.5 G time-varying magnetic force for an extended period of time to enhance tissue repair, such increasing the healing rate of bone fracture repair or increased healing rate of ulcerated skin. It is preferable that the treated mammal is provided an increased level of calcium ions (Ca⁺ or Ca⁺⁺) during the application of the time-varying magnetic force.

Anabolic and Catabolic Gene Expressions

In recent decades, many more hormones with at least some effects have been discovered, including cytokines or paracrine and autocrine factors which are the products of genomic up or down regulations. Further specific genes and some molecules work in concert with each other or in gene cascades (chaperones) which facilitate the end goal of tissue remodeling, with processes such as glucose metabolism

fluctuating to match an animal's normal periods of activity throughout the day (Ramsey, et al., 2007).

Similarly, known biomolecules such as vitamins are useful in perpetuating the process of normal cartilage and bone maintenance. Vitamin D (specifically D3) and Vitamin K are known to a degree in relation to normal mammalian (specifically human) physiology (Atkins, 2009), (Koshihara, 1997). The inventors postulate that due to the facilitated stimulation of important gene expressions (specifically osteocalcin up-regulation which was unanticipated as part of the responding cascade) that addition of increased concentrations of these two vitamins during treatment of the affected area (ROI) in any outlined regime or matrix will further enhance and accelerate the formation of new bone and differentiate the expression of bone from cartilage in the subject tissue as mineralization will produce bone and not cartilage.

Anabolism is the set of metabolic pathways or genomic and protein responses that construct molecules from smaller units (de Bolster, 1997). These reactions require an energy system which in the case of cells is derived from other genomic responses in the breakdown of energy "packets" in the cell. One way of categorizing metabolic processes, whether at the cellular, organ or organism level is as anabolic or as catabolic, which is the opposite of anabolic.

Catabolism is the set of pathways that break down molecules into smaller units and release energy (de Bolster, 1997). In catabolism, large molecules such as nucleic acids, proteins, polysaccharides, and lipids, are broken down into smaller units such as amino acids, nucleotides, monosaccharides, and fatty acids, respectively. For the purposes herein, "catabolic" will be associated with a reparative function and specifically, the breakdown, reorganization, or the degeneration of tissue from an organic perspective.

Currently, full advantage is not being taken of the use of these biophysical and electrical stimuli. However, as the underlying mechanisms at the molecular and cellular level become understood, medical instrumentation using this medical technology will become more widely implemented. Currently, the related art primarily depends on frequency and B-Field magnitude associated with an electromagnetic field waveform for the stimulated growth of biological cells and associated tissue. In fact, related art publications indicate that a B-Field magnitude is the primary control variable for affecting biological cell and tissue growth. At some point, the B-field magnitude's effect becomes more of a thermal effect as compared to a physical force imparted at the cellular level. For example any magnetic field greater than 30 kHz falls into the radio frequency range and is known to result in thermal heating effects at the sub-cellular level. The related art is deficient in discovery of a specific stimulation field profile necessary for up-regulating and down-regulating specific genes, wherein said profile is comprised of not only frequency and B-Field magnitude, but also waveform shape, rise time, rising slew rate, fall time, falling slew rate, duty cycle, dwell time, time of exposure, and other possible factors. The therapeutic implications of the discovery of specific profiles associated with stimulating specific genes will be explained herein. Thus, it would be desirable to provide an apparatus and method of use which would promote the stimulation of specific genes by a specific stimulation field of predetermined profile.

SUMMARY OF THE INVENTION

The present invention relates to a system and method to modifying the genetic regulation of mammalian chondro-

cytes, osteoblasts, osteocytes, osteoclasts, nucleus pulposus, associated tissue, or any combination. There are multiple embodiments with respect to what comprises "associated tissue". For example, associated tissue may comprise cartilaginous tissue, osseous tissue, connective tissue, cancellous tissue, tendon and muscle, or any combination, etc. More specifically, the act of modifying may be comprised of promoting the retention, repair of and reduction of compromised cartilage, bone, and associated tissue in a mammalian system by preferential stimulation of the aforementioned cell types in the mammalian physiology in a specific order or sequence. A stimulation field generator may be used to deliver a tuned time-varying stimulation field profile of predetermined performance characteristics or Figures of Merit (FOM) to the targeted tissue for a predetermined tuned exposure time or plurality of tuned exposure time sequences wherein said FOMs may comprise B-Field magnitude, frequency, wavelength, rising slew rate, falling slew rate, rise time, fall time, and duty cycle(s). The apparatus may include several components comprising: 1) a power source, 2) control component, and 3) a transmission component. The power source supplies the electricity necessary to produce an electromagnetically generated time-varying stimulation field of predetermined profile that is controlled and governed by the control component of the apparatus wherein said time-varying stimulation field is induced to a target tissue or region of interest (ROI) by a transmission component. The transmission component may take the embodiment of standard transmission antennae, magnetic coils, a complexed array that consists of multiple coils, antennae to deliver the correct magnetic field to the ROI in the proper field density, or any combination. In an embodiment, the apparatus delivers a tuned time-varying stimulation field comprising at least one tuned predetermined profile to preferentially stimulate (up-regulate, down-regulate, or a combination of both) the biochemical cellular and sub-cellular molecular responses to trigger the activation of known mammalian genes responsible for the regeneration, restoration, repair, maintenance, or any combination of cartilage, bone, or both.

It is an object of the present invention to provide an apparatus for biomedical therapeutic applications based on the application of time-varying magnetic fields, and more particularly to TVMFs produced in a device which utilizes a tuned electrical signal capable producing a tuned predetermined time-varying stimulation field comprised of at least one tuned predetermined profile at a treatment site for cartilage, bone, and soft tissue therapy.

It is another object of the present invention to provide a multi-functional, modular device using wire coils that create a tuned predetermined time-varying stimulation field of at least one tuned predetermined profile designed for penetration into cartilage, bone, associated tissue, or any combination for the treatment of osteoarthritis, fractures, osteoporosis, and the like.

It is a further object of the invention to provide at least one tuned electrical signal based on frequency, amplitude, rise time, rising slew rate, fall time, falling slew rate, duty cycle, dwell cycle(s), or any combination to a stimulation field generator apparatus in order to generate and emit a tuned time-varying stimulation field of at least one tuned predetermined profile to modify the genetic regulation of the aforementioned mammalian cells.

It is yet another object of the invention to provide time-varying magnetic field neuromuscular stimulation utilizing a predetermined time-varying stimulation field for reducing muscle atrophy as a countermeasure to body unloading

effects. These effects may be encountered in a hospital while bed ridden or in another type of environmental challenge such as human spaceflight.

In an embodiment, the apparatus may emit and deliver to the target area or tissue a substantially square wave between about 9 Hz to about 200 Hz; with a rise time between about 125 μ s to about 1 ms; a rising slew rate of between about 2.0 kG/s to about 50.0 kG/s; a fall time between about 125 μ s to 1 ms; a falling slew rate of between about 2.0 kG/s to about 500.0 kG/s, or any combination. Additionally, the apparatus may operate on a duty cycle of between about 65% to about 80% (and a subsequent dwell time of between about 35% to about 20%, respectively). Still further, the apparatus may operate for a predetermined tuned exposure time from about 1 hour to about 1200 hours in a continuous manner or based on a predetermined time schedule. Deviations from these FOMs may elicit deferential responses with regard to mammalian cells, ion transport, and thus genetic and protein expression.

In an embodiment, the innovation is a method comprising the steps of positioning an apparatus in a predetermined proximate spatial relationship to a region of interest comprising damaged chondrocytes, osteoblasts, osteocytes, osteoclasts, nucleus pulposus, or any combination, wherein said apparatus is capable of producing a time-varying stimulation field; generating a predetermined time-varying stimulation field in the form of a substantially square waveform with a B-Field magnitude from about 0.6 G to about 50 G, a frequency from about 9 Hz to about 200 Hz, a rise time of from about 0.75 ms to about 1 ms, rising slew rate from about 2.0 kG/s to about 20.0 kG/s, a fall time from about 125 μ s to about 300 μ s, a falling slew rate from about 5.0 kG/s to about 50.0 kG/s, and a duty cycle from about 65% to about 80%, and wherein said stimulation field promotes the growth of chondrocytes, osteoblasts, osteocytes, osteoclasts, nucleus pulposus, or any combination.

In an embodiment, the innovation is a method comprising the steps of providing an apparatus comprising a power source, control component, and a transmission component; positioning a region of interest comprising damaged chondrocytes, osteoblasts, osteocytes, osteoclasts, nucleus pulposus, or any combination in proximate spatial relationship to said apparatus; operating said apparatus to generate time-varying stimulation field comprised of a substantially square wave with a frequency from about 9 Hz to about 200 Hz, a rise time of from about 0.75 ms to about 1 ms, rising slew rate from about 2.0 kG/s to about 20.0 kG/s, a fall time from about 125 μ s to about 300 μ s, and a falling slew rate from about 5.0 kG/s to about 50.0 kG/s, wherein the duty cycle of said square wave is from about 65% to about 80%, wherein the operation of said apparatus produces said time-varying stimulation field, and wherein the stimulation field promotes the growth of chondrocytes, osteoblasts, osteocytes, osteoclasts, nucleus pulposus, or any combination. With particular reference to FIG. 6, in another embodiment, power source, control component, transmission component, or any combination is incorporated in a sleeve 20 (such as for example, described in U.S. Pat. No. 7,179,217, wherein the power source, control component, and transmission component are operably connected to each other. The sleeve is capable of wrapping around a ROI 21, such as a body part or an appendage of a mammalian physiology and is capable of delivering a magnetic field 34 to said ROI.

In an embodiment, a pulsed stimulation field of predetermined profile may be used in combination with (either serially or in parallel) a time-varying stimulation field of predetermined profile for determining differential matrix

signaling for accomplishing various therapeutic applications. In another embodiment, the control component controls predetermined characteristics of one or more fields. In another embodiment, the control component is comprised of a conductor, an amplifier, or both.

In an embodiment, the stimulation field is comprised of a magnetic field of a predetermined profile capable of accomplishing CA^{2+} ionic transport modulation for mammalian chondrocytes, osteoblasts, osteocytes, osteoclasts, nucleus pulposus, associated tissues, or any combination. In another embodiment, the stimulation field is comprised of a magnetic field of a predetermined profile capable of modifying the genetic regulation of mammalian chondrocytes, osteoblasts, osteocytes, osteoclasts, nucleus pulposus, associated tissue, or any combination. In still another embodiment, the stimulation field is capable of producing or suppressing specific biomolecules that are associated with and necessary and responsible for the growth, retention, regeneration and repair of chondrocytes, osteoblasts, osteoclasts, osteocytes, and nucleus pulposus.

In an embodiment, the predetermined time-varying stimulation field is capable of modifying the genetic regulation of mammalian chondrocytes, osteoblasts, osteocytes, osteoclasts, nucleus pulposus, associated tissues, or any combination to increase the growth rate of these cells and tissues greater than the normal physiological rates of growth. In another embodiment, the predetermined time-varying stimulation field is capable of being regulated to enhance the growth, retention, restoration, and repair of cells associated with activating gene families including, but not limited to: BMP, actin, thrombospondins, laminins, proteoglycans, collagens, tumor necrosis factors, transforming growth factors, and cytoskeletal families.

As used in this paper, a “stimulation field” refers to a magnetic field generated electromagnetically wherein the magnetic field is comprised of a B-Field wherein a particle having an electric charge, q , and moving in said B-field with a velocity, v , experiences a physical force. Further, as used in this paper, a “region of interest” is defined as an area targeted to be exposed to a stimulation field. A region of interest can be, for example; a rotating wall vessel containing biological materials or a predetermined area on a patient’s body. Still further, as used in paper, a “profile” refers to a waveform. In addition, “figures of merit” refer to measurable performance characteristics or values. Still further, “anabolic” refers to the building of tissue or the regeneration of tissue from an organic perspective. “Catabolic” refers to a reparative function and specifically, the breakdown, reorganization, or the degeneration of tissue from an organic perspective. HCH as used herein refers to human chondrocytes. HOB as used herein refers to human osteoblasts. As used herein, NDR refers to no or zero differential regulation. As used herein, NRE refers to no regulated effect. As used herein in the claim(s), when used in conjunction with the word “comprising”, the words “a” or “an” mean one or more.

BRIEF DESCRIPTION OF THE DRAWINGS

So that the matter in which the above-recited features, advantages and objects of the invention, as well as others that will become clear, are attained and can be understood in detail, more particular descriptions of the invention briefly summarized above may be had by reference to certain embodiments thereof that are illustrated in the appended drawings. These drawings form a part of the specification.

The appended drawings illustrate preferred embodiments of the invention and therefore are not to be considered limiting in their scope.

FIG. 1 depicts an exemplary stimulation field profile of a substantially biphasic, square waveform.

FIG. 2 depicts an exemplary stimulation field profile of a substantially monophasic, delta waveform.

FIG. 3 illustrates an exemplary stimulation field generator apparatus.

FIG. 4 illustrates an exemplary rotating wall vessel.

FIG. 5 illustrates an exemplary rotating wall vessel integrated with an exemplary stimulation field generator apparatus.

FIG. 6 illustrates an exemplary stimulation field generator apparatus in the form of a sleeve wherein said stimulation field generator apparatus delivers a magnetic field of predetermined profile to a region of interest on a mammalian physiology.

FIG. 7 depicts a flowchart of a method to modify the genetic regulation of mammalian tissue, bone, or any combination comprising the steps of: exposing said mammalian chondrocytes, osteoblasts, osteocytes, osteoclasts, nucleus pulposus, associated tissue, or any combination to at least one tuned time-varying stimulation field.

FIG. 8 depicts a flowchart of sub-steps associated with a step of exposing mammalian chondrocytes, osteoblasts, osteocytes, osteoclasts, nucleus pulposus, associated tissue, or any combination to at least one tuned time-varying stimulation field.

FIG. 9 depicts a flowchart of sub-steps associated with a step of tuning at least one tuned predetermined profile for at least one tuned time-varying stimulation field.

FIG. 10 depicts a flowchart of sub-steps associated with a step of analyzing genetic anabolic and catabolic effects from the results of at least one gene expression analyses.

FIG. 11 depicts a flowchart of sub-steps associated with a step of generating at least one conclusion from a step of analyzing.

DETAILED DESCRIPTION OF THE INVENTION

The innovation utilizes stimulation fields of at least one predetermined profile to modify the genetic regulation of mammalian chondrocytes, osteoblasts, osteocytes, osteoclasts, nucleus pulposus, associated tissues, or any combination. In an embodiment, the at least one predetermined profile is tuned in accordance with empirical techniques. Various embodiments of the apparatus and method are applicable but are not limited to the diseases of osteoarthritis and osteoporosis as well as to be used to treat and resolve damaged structures of the skeletal and soft or connective tissues of the physiology. The innovation described herein uses a completely non-invasive method and protocol to affect the desired results outlined above. The innovation also relates to a method of treating diseased tissue in a human through the exposure of a tuned or tunable stimulation field of at least one tuned predetermined profile to diseased tissue in a human, including osteoarthritis, osteoporosis, osteopenia, and other cartilage/bone diseases, defects, and injuries.

In an embodiment, the method includes steps associated with tuning or selecting a tuned predetermined time-varying stimulation field of at least one tuned predetermined profile for at least one predetermined time period wherein different profiles may be employed for different periods of time. It is well known that an electrical current flowing through a wire generates a magnetic field. The resultant magnetic field is

produced by the motion of electrical charges, i.e., electrical current. However, the specific manner of tuning electrical signal characteristics or FOMs and to produce a tuned predetermined time-varying stimulation field to optimize the re-growth of tissue based on cellular and sub-cellular observations is not well-known in the related art. The innovation described herein attempts to solve at least some of the problems described above.

In an embodiment, the innovation is comprised of a device that can be wrapped around a ROI such as, for example, joints where damaged cartilage is located. The device may produce at least one stimulation field at a pre-determined frequency, wavelength, magnitude, rise time, rising slew rate, fall time, falling slew rate, duty cycle, or any combination that will result in tissue modification. For example, this embodiment addresses problems associated with invasive surgical techniques by non-invasively applying a TVMF to the affected areas to regenerate and re-grow cartilage cells, bone cells, or both.

As an example in an embodiment, the inventors have determined that successful reproducible transmission of electrically generated stimulation fields of predetermined frequency are comprised of five factors: (1) the profile or waveform of the stimulation field comprising predetermined FOMs; (2) a sufficient field flux to overcome the ambient environment; (3) design of a transmission component (antennae); (4) change of slew rate and rise and fall time; and (5) exposure time of the ROI to the stimulation field. The innovation described herein results from laboratory studies at the cellular level designed to elucidate the fundamental underlying mechanisms that link stimulation field exposure to biological effects. Specifically, the results of the inventors' research identify mechanisms based on molecular or cellular changes that are brought about by stimulation fields of predetermined profile thereby providing clues as to how a physical force is converted or transduced into a biological action within a mammalian physiology.

With particular reference to FIG. 7, for example, in an embodiment, the innovation comprises a method to modify the genetic regulation of mammalian tissue, bone, or any combination comprising the steps of: exposing said mammalian chondrocytes, osteoblasts, osteocytes, osteoclasts, nucleus pulposus, associated tissue, or any combination to at least one tuned time-varying stimulation field **11** comprised of at least one tuned predetermined profile for a predetermined tuned exposure time or plurality of tuned exposure time sequences wherein said at least one tuned predetermined profile is comprised of a plurality of tuned predetermined figures of merit and is controllable through at least one of said plurality of tuned predetermined figures of merit, wherein said plurality of predetermined tuned figures of merit is comprised of a tuned B-Field magnitude, tuned rising slew rate, tuned rise time, tuned falling slew rate, tuned fall time, tuned frequency, tuned wavelength, and tuned duty cycle; controlling said at least one tuned time-varying stimulation field to produce said at least one tuned predetermined profile **12** by manipulating said tuned B-Field magnitude, said tuned exposure time or said plurality of tuned exposure time sequences and at least one of the following said tuned predetermined figures of merit: said tuned rising slew rate, said tuned rise time, said tuned falling slew rate, said tuned fall time, said tuned frequency, said tuned wavelength, or said tuned duty cycle. The method may be further comprised of the step of tuning said at least one predetermined profile **50** associated with at least one time-varying stimulation field thereby resulting in at least one tuned time-varying stimulation field comprised of at least

one tuned predetermined profile, wherein said at least one tuned predetermined profile is comprised of a plurality of tuned predetermined figures of merit and is controllable through at least one of said plurality of tuned predetermined figures of merit, wherein said plurality of predetermined tuned figures of merit is comprised of a tuned B-Field magnitude, tuned rising slew rate, tuned rise time, tuned falling slew rate, tuned fall time, tuned frequency, tuned wavelength, and tuned duty cycle.

With particular reference to FIG. 8, for example, in an embodiment, the step of exposing said mammalian chondrocytes, osteoblasts, osteocytes, osteoclasts, nucleus pulposus, associated tissue, or any combination to at least one tuned time-varying stimulation field **11** may be comprised of: providing a stimulation field generator apparatus in proximate spatial relationship to said mammalian chondrocytes, osteoblasts, osteocytes, osteoclasts, nucleus pulposus, associated tissue, or any combination **18**; and generating said tuned time-varying stimulation field using said stimulation field generator apparatus **19**.

With particular reference to FIG. 9, for example, in an embodiment, the step of tuning may be comprised of: providing at least one set of cellular samples in at least one rotating wall vessel **51**; exposing said at least one set of cellular samples **52** to at least one experimental time-varying stimulation field comprising at least one experimental predetermined profile; conducting at least one gene expression analyses to said at least one set of cellular samples **53**; analyzing the genetic anabolic and catabolic effects from the results of said at least one gene expression analyses **54**; generating at least one conclusion from said step of analyzing **55**; adjusting said at least one experimental predetermined profile based on said at least one conclusion **56**; and selecting at least one tuned time-varying stimulation field comprised of at least one tuned predetermined profile for a predetermined tuned exposure time or a plurality of tuned exposure time sequences **57**. In an embodiment, the step of conducting at least one gene expression **53** may occur after said step of exposing said at least one set of cellular samples **52**. In an embodiment, the step of adjusting said at least one experimental predetermined profile **56** may occur if said at least one conclusion does not meet predetermined criteria. The at least one set of cellular samples may be selected from the group consisting of human chondrocytes and human osteoblasts in addition to associated tissues.

With particular reference to FIG. 10, for example, in an embodiment, the step of analyzing the genetic anabolic and catabolic effects **54** may be comprised of: selecting a predetermined set of genes or gene families **58**; calculating a fold change for each gene in said set of genes from the results of said at least one gene expression **59**; determining if each of said fold change is consistent with up-regulation or down-regulation for said each gene **60**; and classifying each of said fold change as an anabolic or catabolic effect based on said up-regulation or down-regulation for said each gene **61**.

With particular reference to FIG. 11, for example, in an embodiment, the said step of generating at least one conclusion **55** may be comprised of: establishing a relative value for each of said anabolic or catabolic effect on said up-regulation or down-regulation for said each gene **62**; comparing each of said relative value in combination **63**; selecting a conclusion comprised of either a substantive net anabolic effect, a substantive net catabolic effect, a net anabolic effect, a net catabolic effect, or no determinative effect **64**.

In an embodiment, a substantially square wave signal with a frequency from about 10 Hz to about 200 Hz can be induced to a ROI via a transmission component with the intent of influencing and thereby modifying the sub-cellular molecular components of mammalian chondrocytes, osteoblasts, osteocytes, osteoclasts, nucleus pulposus, (and associated tissue) thereby affecting the genomic and proteomic output or expression of these cells. The expression deltas are directly responsible, as compared to controls (untreated cells), for signaling differences at the sub-cellular and nuclear levels of the cells. The inventors have determined through laboratory tests that various embodiments of a stimulation field with a predetermined profile via manipulation of an electrical signal's FOMs, with specific ranges of electrical signal characteristics used to generate a stimulation field of predetermined profile, result in modification of cartilage and bone cells. For example, a time-varying stimulation field of predetermined profile comprised of a particular B-Field magnitude, frequency, rise time, fall time, slew rate, and wavelength for a predetermined exposure time or plurality of exposure time sequences (i.e., an exposure time schedule) may be used to preferentially excite specific sub-cellular organelles within the subject cells resulting in the desired events previously enumerated. The resultant profile may be a substantially square waveform.

Laboratory tests were comprised of exposing separate ROIs to a time-varying stimulation field of predetermined profile and a PEMF of predetermined profile wherein the ROIs was comprised of a rotating wall vessel (RWV). The RWV was inserted into a transmission component (see FIG. 5). The RWV contained a predetermined volume of micro-carriers and predetermined cell volume comprised of human chondrocytes or human osteoblasts; and cell growth media. Both 2D and 3D culturing techniques were employed. Cell growth observations and analysis were then performed.

Stimulation Field Generator Apparatus

With particular reference to FIG. 3, in regard to the stimulation field generator apparatus 30 mentioned above, an apparatus 30 is provided to electrically generate a stimulation field of predetermined profile 10. The apparatus 30 may include several components including: 1) a power source 31, 2) a control component 32, and 3) a transmission component 33. The apparatus 30 is effectively tuned via an electrical signal of predetermined profile to subsequently deliver a stimulation field of predetermined profile 10 to preferentially stimulate the biochemical cellular and sub-cellular molecular responses to trigger the activation of known mammalian genes responsible for the restoration, repair, maintenance, or any combination of cartilage and bone.

With continued reference to FIG. 3, the power source 31 supplies an electrical current to the control component 32 wherein the supplied electricity flows through the transmission component 33 thereby emitting a magnetic field 34. Multiple embodiments of a power source exist. For example, the power source 31 may comprise a battery; a power converter that converts one form of electrical power to another desired form and voltage (e.g., a device that converts 120 or 240 volt AC supplied by a utility company to a well-regulated lower voltage DC for electronic devices; low voltage, low power DC power supply units are commonly integrated with the devices they supply, such as computers and household electronics); a switched-mode power supply; a linear regulator, a rectifier; a high capacity capacitance power source; an electrical outlet power source; or any combination.

With continued reference to FIG. 3, the control component 32 of the apparatus 30 is used to produce a desired electrical signal, thereby in combination with the power source 31 and transmission component 33, produces a stimulation field of predetermined profile 10. The resultant stimulation field is further induced to a target tissue or ROI 21 by the transmission component 33, which will be discussed later. Multiple embodiments of a control component 32 exist. For example, the control component 32 may comprise a voltage or amperage driven signal generator as known as a function generator, arbitrary waveform generator, digital pattern generator, pulse generator, or frequency generator; computerized dongle circuitry with integrated firmware and software; a conductor; an amplifier; a sensor; a microprocessor; or any combination.

With continued reference to FIG. 3, the transmission component 33 delivers the stimulation field of predetermined profile to the target area in the proper field density. Multiple embodiments of a transmission component 33 are available. For example, in an embodiment, the transmission component 33 comprises a wire, wherein the wire is wound into a coil about a core, wherein the turns of the wire sit substantially side-by-side. When an electrical current is run through the wire, an electrically generated magnetic field or electromagnetic field passes through the center of the coil. An alternating current may be employed to thereby generate an electromagnetic field profile that alternates with respect to direction. Multiple embodiments exist in regard to the shape and design of the coil. For example, the coil may form the shape of a straight tube; a helix (similar to a corkscrew) such as a solenoid; a solenoid that is bent into a donut shape (i.e., a toroid); or any combination. The transmission component may also comprise a container of a predetermined shape and size wherein the wire is radially disposed on the container thereby forming the coil. Still further, in an embodiment, the transmission component may also comprise a sleeve 20 capable of wrapping around an appendage associated with a mammalian physiology wherein the ROI 21 is associated with said mammalian physiology.

Resultant Time-Varying B-Field

In an embodiment, the stimulation field generator apparatus 30 is tuned to deliver a stimulation field of predetermined profile 10 to preferentially stimulate the biochemical cellular and sub-cellular molecular responses to trigger the activation of known mammalian genes responsible for the restoration, repair, modification, and maintenance of cartilage and bone. Production of the desired profile is accomplished by controlling the electricity transferred within the stimulation field generator apparatus 30. As discussed, the electricity or electrical flow is controlled by the control component 32. The control component 32 manages the electricity in terms of an electrical signal. An electrical signal may be representative of a voltage, current, or both and conveys time-based information. Further, in an embodiment, additional management of the electrical signal may be conducted to normalize the total energy; to selectively modulate the resultant profile or waveform; to normalize the profile's duty cycle, rising slew rate, falling slew rate, etc.; or any combination.

With particular reference to FIG. 1, in an embodiment, a resultant stimulation field of predetermined profile 10 is comprised of a substantially biphasic, square waveform. In an embodiment, a substantially biphasic, square waveform comprising a frequency in the range from about 9 Hz to about 200 Hz may be employed. Further, a resultant profile with the following FOMs may be employed: a B-Field magnitude from about 0.6 G to about 200 G; a rise time from

about 125 μ s to about 1 ms; a rising slew rate from about 2.0 kG/s to about 50.0 kG/s; a fall time from about 125 μ s to about 1 ms; a falling slew rate from about 5.0 kG/s to about 50.0 kG/s; and a duty cycle of between 65-80% (and a subsequent dwell time of between 20-35%). Additional FOMs may be employed such as wavelength, exposure duration, etc. FIG. 1 illustrates a time-varying stimulation field profile for a stimulatory waveform for use in bone and tissue healing according to an embodiment of the present innovation.

Rotating Wall Vessels

As described above and with particular reference to FIG. 4, RWVs 40 were used and comprised a base unit 41, a controller unit 42, and a culture vessel (aka vessel) 43. The RWV base unit 41 makes up the mechanical portion of the RWV 40. Briefly, the base unit contains a small air pump to provide circulation along the spin filter in the center of the culture vessel, and a stepper motor designed to spin the weight of all culture vessels. The RWV controller unit 42 houses electronics specifically created to energize the stepper motor within the base unit 41 to a consistent and calibrated rate, providing for equal rotation speeds between set ups so that each unit in service can be spun at identical rates. The RWV culture vessel 43 may be comprised of a Slow Turning Lateral Vessel (STLV) or a High Aspect Rotating Vessel (HARV). Cell samples 44 are contained in the culture vessel 43. Cell samples 44 may comprise chondrocytes, nucleus pulposus, osteoblasts, osteoclasts, osteocytes, associated tissue, or any combination. Each STLV is comprised of a base, a barrel, a center core for oxygenation, a cap with syringe ports, and a fill plug. To offset the potential damage to cells from off-gassing, new HARVs and STLVs must be detoxified in a procedure involving ethanol and autoclaving before first use.

Human Chondrocytes

In the laboratory tests, the HCH's were comprised of articular chondrocytes from donors ranging in age from 50-85, and both male and female donors. These are primary cell populations not established or immortalized cultures. Seven male lines and seven female lines were studied. Each individual donor was cultured in 2D and expanded until a minimum of 5×10^7 cells could be cryopreserved. Following initial, individual expansion, one vial of each donor was combined into a pool, keeping male donors separate from female donors, and expanded in 2D until an additional 1×10^8 cells in pool could be cryobanked. This combined pool never exceeded passage 7. One should not lose the primary characteristics of the cells in culture and therefore effort was expended into maximizing the number of cells available while minimizing the number of ex-vivo passages. Additionally, by banking as individuals first, then creating a pool, this technique provides the capability to "go back" and create additional vials of pooled cells if experimentation focus expands. The result of this effort was an additional 4.5×10^8 cells per sex or 9×10^8 total cells.

Human Osteoblasts

In laboratory testing, human osteoblasts (HOBs) were cryopreserved. Again, the HOBs were received from older donors, in this case ranging in age from 50 to 59 and from both male and female donors. Like the HCH, each lot/donor was expanded and banked as an individual, and then combined by sex into multi-donor pools, yielding a pool of five male donors and an additional pool of five female donors.

Cell Growth Media

Cell growth media, GTSF-2 is a tri-sugar, double-buffered media custom formulated on an L-15/Alpha-MEM base. Cells grown in two dimensions (2D) in standard flasks or

plates are exposed to such an unnatural condition that their growth requirements are skewed as compared to in vivo. Hence, just about any glucose-containing, single-buffered isotonic salt solution will sustain them with minor exceptions as to primary, transformed, transfected or immortalized cell status. The RWV however creates a more in-vivo like environment. Cells are largely free from the pull of gravity and fluid shear, and are able to fully express their natural DNA encoded characteristics. That is, they are able to differentiate and develop cellular structures similar to or even exactly like their in-vivo counterparts. With a more complete growth capability, the need for a more complete media arises. GTSF-2 provides this complete media utilizing glucose, galactose and fructose as simple and increasingly complex energy sources, as well as HEPES and NaHCO₃ (sodium bicarbonate) to ensure pH remains as close to physiologic normal as possible even in the most growth-active cultures. GTSF-2 is available in commercial formulations via their "specialty media" group as DPMI 40% MEM ALPHA MOD/60% L-15, catalog number SH3A099.01.

Two-Dimensional (2D) Culturing Techniques

In order to preserve as many vials of low passage cells as possible and extend the life of the cryo-pool of cells to accommodate any future needs, a single vial of frozen HCH or HOB pooled cells is thawed to initiate cells for bioreactor experiments. From a single 1×10^7 cells/vial unit, we are able to expand into as many as 2×10^8 cells, enough cells to populate twelve STLVs, without passage beyond p7. Standard culturing techniques are used. T-flasks purchased from Corning and GTSF-2 media with 10% FBS are used to expand the HOB or HCH cells sufficiently to meet the required numbers for the designed experiment. As the cell population within the flask reaches a cell density of approximately 75-80%, cells are passaged into a new flask using standard trypsinization techniques at a density roughly 25% of the previous flask. In other words, one flask is passaged into four. This continues until enough flasks are available to yield the necessary number of cells. It should be noted that continued growth of primary cells is difficult and time consuming as normal cells are not known to be sustained in 2D culture for prolonged periods.

Microcarrier Preparation

Several different microcarrier substrates are available to suit the need of the tissue being recapitulated. For example, PGA (polyglycolic acid), cyclodextran, collagen and gelatin are exemplary forms of microcarrier substrates. In an embodiment, gelatin microcarriers, from Sigma-Aldrich (St. Louis, Mo.), called Cultispher were employed. Cultispher is a macroporous gelatin bead, coated with gelatin and the increased surface area allows for better cell density with a lighter cell load. Cultispher is provided as a dry powder and weighed out in milligrams based on the culture. Roughly 3 mg/ml into a 55 ml STLV is sufficient growth space for HCH and HOB cultures. Once the desired amount is weighed, the microcarriers are placed into a small, autoclavable jar and phosphate buffered saline (PBS) is added in sufficient quantity so that they can rehydrate properly. The microcarriers are allowed to "soak" in PBS overnight. The following day the microcarriers are autoclaved to ensure sterility. After autoclaving, they must be refrigerated overnight before use.

Initiation of Three-Dimensional (3D) Cultures

The quantity of cells and microcarriers used in any of the culture vessels is dependent on a number of factors. For the laboratory tests, the HCH and HOB are primary cells. As such they require a starting cell density considerably higher than that of a transformed or transfected cell lines. Addi-

tionally, in order for the RWV to work properly, cell density in relation to spatial and fluid limitations must be considered. The balance is adding enough cells for the crucial, initial cell-cell interactions that will establish the culture but not adding so many such that towards the end of the culture period the cell density is too great to be supported in the fluid volume and head space of the vessel. After a few limited trials, it was determined that an initial seeding density of 3×10^5 cells/ml/vessel was a good balance for HCH and HOB cells. Using standard trypsinization techniques, the HCH or HOB cells were removed from the 2D flasks used to expand the HCH or HOB. The HCH or HOB cells were stored in media while performing cell counts. In an embodiment, hemacytometers and trypan exclusion techniques were used to determine cell counts. Once the number of cells per mL is determined, a predetermined amount of the cells were loaded into the vessel to equal the desired concentration. Next, pre-measured, pre-sterilized microcarriers were added. Finally, the remaining volume with GTSF2 media was added. After all culture components are loaded, air and all subsequent air bubbles were removed, and the vessel pressurized. This is accomplished via the syringe ports on the top of the vessel. By filling a syringe with media and repetitively squirting that media into the vessel while pulling air out, all dead/air space in the vessel can be filled. After all the bubbles have been removed in this manner, putting pressure on the fluid in the syringe creates pressure within the vessel. The vessels were subsequently pressurized and capped off. The vessel is now ready to be mounted on the base unit of the RWV.

3D Culture Maintenance

Generally speaking, the cultures are not fed within the first 48 hours after initiation. This allows the cells time to bind with the microcarriers and begin to produce the proteins responsible for cell-cell communication and adhesion. Feedings thereafter are determined via I-STAT (Abbott Labs, Princeton, N.J.), a hand-held portable blood gas analyzer which is used in hospitals and clinics worldwide. The analysis it performs is dependent on the cartridge used. For culturing purposes, Na^+ and Cl^+ ions present in the supernatants are an indicator of cell metabolism in that NaCl is cleaved during uptake. Glucose is also notable. Glucose is one of three sugars in GTSF-2 and the only one that can currently be analyzed consistently. It is a primary energy source for the cells and the quantity used in any period of time between feedings provides information on the activity level of the cells. BUN (blood urea nitrogen) readings on the I-STAT correlate with stress levels within the culture. NaHCO_3 (sodium bicarbonate) levels provide information about the quantity of acid produced as a result of metabolic activity. These various ions plus other parameters the I-STAT measures, are essential to making good decisions as to quantity and frequency of feeding of the cultures. The ultimate goal is to maintain as physiologic normal within the bioreactor. A pH of 7.2, roughly 80-100 mg/dL of glucose, and adequate but not excessive salt and bicarbonate to balance the solution are achieved to maintain proper isotonicity. Deviations measured each 24 hour period from normal and the time it takes for them to occur is how the maintenance schedule for the cultures are determined.

Analytical Techniques Utilized Post-Experiment

Light microscopy is also used in conjunction with immunohistochemistry (IHC). Cells are embedded in a paraffin matrix, then thin layers are cut and mounted on slides. These slices are then stained with an antibody conjugated to a color of some kind or to a flouochrome to make the binding site visible. The antibodies can be to a cell type specific antigen

found only in that specific cell. The antibodies can also be to a protein or cytokine product being produced by the cell. The slides with the tissue slices mounted on them are then viewed via a microscope—either light or confocal—and photographed for analysis and publication. Concentration of the color or flouochrome on the cell is indicative of the quantity of the antigen or protein in question. Dark coloring means high binding and high presence whereas light coloring is a reduced presence and low binding. IHC is generally considered a “qualitative” assessment however and other techniques are used to “quantify” marker expression. A portion of tissue like assemblies are aliquoted, washed $3 \times$ with filter-sterilized water, aspirated, and fixed in a final concentration of 2% Glutaraldehyde/3% Formaldehyde prepared in PBS. The samples are fixed for a minimum of 24 hrs at 4°C . overnight. The samples are flushed in triplicate with filter-sterilized deionized water to remove salts and then transferred for observation and imaging to a FEI XL30 Environmental Scanning Electron Microscope. Genetic array analyses are performed on experiments after each major change in parameters or change in cell type.

Laboratory Testing

The inventors have conducted several studies on the effects of time-varying stimulation fields on cellular processes. For example, in a study, a mixed population of human chondrocytes (HCH) was created and banked from patient samples ranging in age from 58 through 81 years. These samples were selected due to their indications of early stage osteoarthritis. A male test population was exposed to a stimulation field of predetermined profiles comprising a predetermined B-Field magnitude and waveform shape, produced by an electrical signal in a continuous manner for about 30 days in a RWV. FIG. 5 illustrates an exemplary set-up incorporating the integration of a RWV and a stimulation field generator. Cellular gene expression analyses comprised of fold change analyses were accomplished by an AFFYMETRIX Gene Array survey of 47,000 human genes (U133 Plus 2.0 Chip) using the HCH samples exposed to the stimulation field as well as control HCH samples. The expression results were confirmed by a Reverse Transcriptase Polymerized Chain Reaction (RT-PCR) or LUMINEX Assays. There was a difference between the types of regulated genes. The experiment was repeated with two sets of HCH samples were each exposed to separate stimulation fields of predetermined profile (one stimulation field for each set of samples). The B-Field magnitude for each stimulation field was different in this experiment. After a similar gene array survey, there was a difference between the types of regulated genes exposed to the different stimulation fields. The experiment was repeated with two HOB samples were exposed to separate stimulation fields of predetermined profile (one stimulation field for each set of samples). The B-Field magnitude for each stimulation field was substantially equal in this experiment. It was anticipated that any cellular activity, expressed in cellular gene expression analysis, would be relatively equal because the related art suggests that a B-Field's magnitude is the determinative variable. However, the experiment yielded unanticipated results. Specifically, a subsequent gene array survey revealed significant differences in gene expressions between the two cell samples. Differences in the type of regulated genes exposed to the different stimulation fields were observed. As an example, the gene array survey results from these experiments indicate significant differences between stimulation field profiles in regard to potential use for osteoarthritis treatment. The results clearly indicate preferential regulation of cellular mechanisms identified with

human chondrogenesis, osteogenesis, and extracellular matrix (ECM) deposition from a set of specific signals wherein B-Field magnitude is not the determinative variable. Rather, the shape of a stimulation field profile (i.e., waveform) and FOMs (in addition to a B-Field magnitude) are also influential factors.

In an embodiment, a mixed population of human chondrocytes described above was expanded in culture flasks. First, tissue-like-assemblies (TLAs) were constructed from normal human chondrocytes. From these TLAs, cell samples were grown (i.e., expanded) in two-dimensional (2D) culture flasks. The cell sample population was derived from several patient samples wherein these samples were pooled and gender isolated. The subsequent cultures were established in a GTSF-2 growth medium. GTSF-2 growth medium is a basal cell culture medium. In addition to traditional growth-factors, GTSF-2 contains a blend of three sugars (glucose, galactose, and fructose) at their physiological levels. The cultures were removed from the 2D flasks by trypsin-EDTA and counted.

Exposures of these chondrocyte cell samples to a predetermined time schedule of stimulation fields of predetermined profiles were performed in the following manner. A known cell volume was inoculated into at least three rotating wall vessels (RWVs) for each sample set and a control sample set wherein the RWVs are associated with a rotating bioreactor, such as a RCCS-1 system, which is a commercial unit manufactured by Synthecon, Inc. RWVs were inserted into a predetermined coil designed to deliver a stimulation field of predetermined profile comprised of a predetermined set of FOMs. The RWVs contained a predetermined volume of microcarriers. Electricity was subsequently supplied to the coil in accordance with a predetermined profile. In the simulated microgravity environment of the RWV, the human chondrocyte and human osteoblast cells adhered to new growth matrices and began to multiply in cell-bead aggregates. The cell-bead aggregates developed for a predetermined exposure time or plurality of exposure time sequences wherein multiple embodiments exist thereto (e.g., for about 30 days; between about 1 hour and about 720 hours; for 24 hours on, 24 hours off, repeat for a total of 30 days; etc.).

Cell growth observations and analyses were then performed using the sample set(s) which were contained in at least 3 RWVs per sample set and a control sample set also comprised of samples contained in at least 3 RWVs. Gene analyses were accomplished by an AFFYMETRIX GENECHIP Human Genome U133 Plus 2.0 Array, RT-PCR, or LUMINEX Assay. A survey of the entire human genome of approximately 47,000 human genes exposed to multiple stimulation field profiles as regulated by multiple electrical signals was conducted.

Similar experiments were performed with human osteoblasts. In addition, the same result in regard to stimulation fields of different profiles inducing regenerative (e.g., anabolic) vs. reparative (e.g., catabolic) genes was observed but with increased genetic activity. A sample set of experimental results is as follows wherein said sample set are provided for the purpose of illustrating the development of the innovation as well as various embodiments of the innovation and are not meant to limit the present innovation in any fashion.

Example 1 (Human Chondrocytes)

In a first experiment, a first set of HCH cell samples contained in at least 3 RWVs were exposed to a first time-varying stimulation field of predetermined profile comprised of substantially a biphasic, square wave with a

frequency of about 10 Hz; a wavelength of about 500 ms; a rising slew rate between about 0.2 T/s (2.0 kG/s) to about 0.45 T/s (4.5 kG/s); a falling slew rate between about 0.45 T/s (4.5 kG/s) to about 1.5 T/s (15.5 kG/s); a dwell time of about 10% after each burst; a duty cycle of about 80% on and about 20% off; and a resultant B-Field magnitude of about 5.9 μ T (0.059 G). The experiment was conducted at 10 Hz. For reference purposes, the frequency of Earth's geomagnetic field is 7.83 Hz, thus the experiment satisfies the criteria of being appreciably different from the background magnetic field. Exposure was continuous for the length of this experiment wherein said length was about 30 days or about 720 hours. Gene analysis comprising a fold change analysis as describe above was conducted for the HCH cell samples exposed to the first time-varying stimulation field. Exemplary results from said gene analysis associated with the first time-varying stimulation field are provided in Table 2 below.

Generally, the related art consensus teaches that a field strength (either electric or magnetic) should be sufficiently powerful enough to penetrate deep enough inside cells to cause the desired effect. In order for this to happen the applied energy levels must be sufficiently high to penetrate deep enough inside cells, otherwise only a minimal and superficial effect can be expected. Electric fields are more susceptible to shielding effects as compared to magnetic fields. As described above, the laboratory set-up comprised the use of at least 3 RWVs for the first set of HCH samples wherein the at least 3 RWVs were each enclosed within wire coils designed to generate a magnetic field. Thus, the level of interference was minimized and the relatively low B-Field magnitude of the first time-varying stimulation field did result in the regulation of over 2000 genes. However, consideration as to applying an equivalent "effective" B-Field magnitude to a mammalian subject may require increasing the B-Field magnitude by a predetermined amplification factor of predetermined value or "gain" thereby requiring the creation of a dose response curve. This amplification factor or gain may be required due to differences in the level of interference associated with the inventors' laboratory set-up and a mammalian physiology (e.g., skeletal structure comprised of bone). The inventors stipulate that translation of the "optimum" effective field and conditions must take into account the systemic dampening encountered by the application to an entire physiology.

An unanticipated observation was made in regard to the type of genes that were regulated in that genes normally associated with a regenerative function (i.e., anabolic genes) were up-regulated at a much higher percentage as compared to genes associated with a reparative function (i.e., catabolic genes). In some cases, genes exposed to the first time-varying stimulation field were down-regulated thereby resulting in a catabolic effect or up-regulated thereby resulting in an anabolic effect, or vice-versa. In an embodiment, a set of genes may be selected based on known function(s). The fold change for each gene is said set may be analyzed and determined to be consistent with up-regulation, down-regulation, or no regulation. Each regulated gene may be subsequently analyzed for an anabolic effect, catabolic effect, or no differential regulation (NDR). In a further embodiment, a relative value for each anabolic and catabolic effect may be assigned. And, the entire set of anabolic and catabolic effects may be compared in terms of the relative values of each effect. Thus, the resultant anabolic vs. catabolic effects may be determined. It should be noted that many of the genes (anabolic) up-regulated in this experiment

are associated with embryonic development (Lanza, 2000). Table 1 provides a summary of said effects for the first experiment.

TABLE 1

Stimulation Field	# Genes Regulated	# of Anabolic Gene Effects†	# of Catabolic Gene Effects†
First Time-Varying Stimulation Field	2021	37	11

†In exemplary results in accordance to Table 1.

As observed in Table 1, the results for the first time-varying stimulation field are indicative of anabolic or regenerative effects. Table 2 provides additional details with respect to this observation wherein anabolic and catabolic effects are identified.

TABLE 2

Gene Family	Fold Increase/Decrease for First Time-Varying Stimulation Field	Anabolic or Catabolic Effect of Genes Associated with Chondrocyte Development
WNT Family		
WNT5B	+3.43	Anabolic
WSP1	+3.41	Anabolic
WSP2	+3.03	Anabolic
Bone Morphogenetic Protein (BMP) Family		
BMP2	-8.63	Catabolic
BMP6	-4.56	Catabolic
Forkhead Box (FOX) Family		
FOXF1	-3.32	Catabolic
FOXN3	-4.00	Catabolic
Sex Determining Region Y (SRY) SOX Family		
SOX9 (SRY-box 9)	-3.03	Catabolic
SOX10 (SRY-box 10)	-2.91	Catabolic
Parathyroid Hormone (PTH) Family		
PTH1H (PTH-like hormone [LH])	-11.00	Catabolic
Latent Transforming Growth Factor (TGF) Family (ECM)		
Latent TGF Beta Binding Protein 2	+6.54	Anabolic
Latent TGF Beta Binding Protein 3	+3.71	Anabolic
Integrin Family (Cell Sulfur-Based [Sur]: ECM)		
Integrin beta-like 1 (ITGBL1) with epidermal growth factor (EGF)-like repeat domains	+6.45	Anabolic
Integrin beta 2 (ITGB2) complement component 3, receptor 3, and 4 subunit	+4.38	Anabolic
Integrin beta 3 binding protein (beta3-endonexin) (ITGB3BP)	+2.93	Anabolic
Interleukin (IL) Family (Cellular Cytokine Response)		
IL-32	+3.92	Anabolic
IL-33 (IL-1 super family)	+3.39	Anabolic
IL-1 receptor (IL-1R1) (IL-1 super family)	+2.95	Anabolic

TABLE 2-continued

Gene Family	Fold Increase/Decrease for First Time-Varying Stimulation Field	Anabolic or Catabolic Effect of Genes Associated with Chondrocyte Development
IL-4 inducible 1 (IL-4I1) (TH2 induction)	+3.01	Anabolic
IL-8	-4.82	Anabolic
IL-6	-2.66	Anabolic
IL-24	-3.41	Catabolic
IL-17A	-2.87	Anabolic
Thrombospondin Family (COMPs)		
Thrombospondin 2 (THBS2)	+4.79	Anabolic
Thrombospondin 3 (THBS3)	+3.73	Anabolic
Laminin Family		
Laminin Beta 1 (LAMB1)	+3.14	Anabolic
Laminin Beta 2 (LAMB2)	+2.91	Anabolic
Laminin Gamma 1 (LAMC1)	+2.82	Anabolic
Proteoglycan Family		
Biglycan (BGN)	+6.45	Anabolic
Aggrecan (ACAN)	+3.81	Anabolic
PAPLN (Papilin)	+3.38	Anabolic
Chondroitin Sulphate	+3.16	Anabolic
Proteoglycan 4 (CSPG4)		
Hyaluronan and Proteoglycan Link protein 1 (HAPLN 1)	+4.66	Anabolic
Proteoglycan 4 (PRG4)	+2.85	Anabolic
Collagen Family		
Collagen, Type 1, Alpha 1 (COL1A1)	+32.67	Anabolic
Collagen, Type 3, Alpha 1 (COL3A1)	+4.23	Anabolic
Collagen, Type 4, Alpha 4 (COL4A4)	+3.53	Anabolic
Collagen, Type 5, Alpha 1 (COL5A1)	+7.52	Anabolic
Collagen, Type 5, Alpha 2 (COL5A2)	+6.54	Anabolic
Collagen, Type 6, Alpha 2 (COL6A2)	+4.00	Anabolic
Collagen, Type 8, Alpha 2 (COL8A2)	+3.63	Anabolic
Collagen, Type 12, Alpha 1 (COL12A1)	+3.93	Anabolic
Collagen, Type 16, Alpha 1 (COL16A1)	+3.68	Anabolic
Collagen, Type 21, Alpha 1 (COL21A1)	+5.54	Anabolic
Collagen, Type 27, Alpha 1 (COL27A1)	+5.06	Anabolic
Insulin (INS) Family		
Insulin-Like Growth Factor (IGF) Binding Protein (BP) 1	-13.18	Catabolic
IGFBP5	-5.03	Catabolic
INS	-2.89	Catabolic

Table 2 shows several select genes experienced up or down-regulation in the first experiment. For example, BMPs are a group of growth factors also known as cytokines originally discovered for their ability to induce the formation of bone and cartilage and are also considered to constitute a group of pivotal morphogenetic signals, orchestrating tissue architecture throughout the body. BMP2 was down-regulated in the first experiment. BMP2 acts as a disulfide-linked homodimer and induces bone and cartilage formation and plays a key role in osteoblast differentiation. Further, BMP2 is beneficial in the treatment of a variety of bone-related conditions including delayed union and non-union. In this experiment, the down-regulation of BMP2 represents a

catabolic effect. Particularly as the goal was to enhance the growth of human chondrocytes. A similar application of a set of FOMs will result in the up-regulation of BMPs. Thus, this experiment demonstrated that changes in FOMs as well as overall B-Field can significantly change outcomes. As another example, the up-regulation of the genes in the collagen family represents an anabolic effect.

Example 2 (Human Chondrocytes)

In a second experiment, a second set of HCH cell samples contained in at least 3 RWVs were exposed to a second time-varying stimulation field of predetermined profile comprised of substantially a biphasic, square wave with a frequency of about 10 Hz; a wavelength of about 500 ms; a rising slew rate between about 0.2 T/s (2.0 kG/s) to about 0.45 T/s (4.5 kG/s); a falling slew rate between about 0.45 T/s (4.5 kG/s) to about 1.55 T/s (15.5 kG/s); a dwell time of about 10% after each burst; a duty cycle of about 80% on and about 20% off; and a resultant B-Field magnitude of about 65 μT (0.65 G). A third set of HCH cell samples contained in at least 3 RWVs were also separately exposed to a third time-varying stimulation field of predetermined profile comprised of a substantially monophasic, delta wave with a frequency of about 15 Hz; a duty cycle of about 30% on and about 70% off; and a resultant B-Field magnitude of about 250 μT (2.5 G). The third time-varying stimulation field is generally illustrated in FIG. 2. Note that the waveform represented in the third time-varying stimulation field may be designated a “pulse” or “burst” due to both its shape and wavelength (aka a “pulsed time-varying stimulation field”). Exposures were continuous for the length of this experiment wherein said length was about 30 days or about 720 hours. Equivalent equipment was used for the second and third sets of HCH cell samples. However, it is noted that different transmission components (e.g., antennae) were utilized between the first and second experiments.

These results were indicative of varying cellular effects due to substantive differences in the B-Field magnitudes with respect to the second and third time-varying stimulation fields as well as between the first and second time-varying stimulation fields. Hence, the results of the second experiment were, on its face, consistent with consensus related art publications that described a B-Field magnitude as comprising the determinative control factor for cellular effects. In other words, as can be observed in Table 4 and Table 2, there are substantive differences in the resultant gene expressions between human chondrocyte cellular exposure to the second

and third time-varying stimulation fields as well as between the first and second time-varying stimulation fields. For example, the total number of regulated genes between the first and second time-varying stimulation fields (2021 vs. 1097) constituted a 46% decrease in regulated genes. It was not anticipated that such a substantive decrease in regulated genes would occur. Rather, because consensus related art publications disclose that a B-Field magnitude is the determinative control value and a high enough B-Field magnitude is required to stimulate cellular effects, it was anticipated that the total number of regulated genes would increase. The inventors hypothesized that the substantive decrease in regulated genes was related to the fact that different transmission components were used in regard to the first and second experiments. In terms of net effects, the results of the second experiment validated the inventors’ observations in regard to anabolic vs. catabolic effects associated with the second time-varying stimulation field. Table 3 represents a summary of the second experiment in regard to gene expression.

TABLE 3

Stimulation Field	# Genes Regulated	# of Anabolic Gene Effects*	# of Catabolic Gene Effects*
Second Time-Varying Stimulation Field	1097	52	3
Third Time-Varying Stimulation Field	850	12	15

*In exemplary results in accordance to Table 4.

As can be observed in Tables 3 and 4, the anabolic and catabolic effects associated with the second and third time-varying stimulation fields were substantively different. Yet there is a commonality between the first and second stimulation fields or specifically, the disproportionately large number of anabolic vs. catabolic gene responses. The exemplary results for the second time-varying stimulation field are indicative of anabolic or regenerative effects. Conversely, the exemplary results from the third time-varying stimulation field are relatively neutral in regard to anabolic vs. catabolic effects while the total B-Field is much higher (65 μT vs. 250 μT). This result is not expected given prior art publications and was therefore unanticipated. Specifically there should be much greater effects at 250 μT as compared to 65 μT, however this was not the case. A comparison of the exemplary results associated with the two field profiles are provided in Table 4 below:

TABLE 4

Gene Family	Anabolic or Catabolic		Anabolic or Catabolic	
	Fold Increase/Decrease for Second Time Varying Stimulation Field	Fold Effect of Genes Associated with Chondrocyte Development	Fold Increase/Decrease for Third Time Varying Stimulation Field	Fold Effect of Genes Associated with Chondrocyte Development
WNT Family				
WNT5B	+00.0	NDR	-3.43	Catabolic
WSP1	+00.0	NDR	+3.25	Anabolic
WSP2	+00.0	NDR	-2.91	Catabolic
Bone Morphogenetic Protein (BMP) Family				
BAMBI	+5.03	Anabolic	+2.95	Anabolic
BMP1	+3.32	Anabolic	-3.98	Catabolic
BMP6	+2.95	Anabolic	+00.0	NDR

TABLE 4-continued

Gene Family	Fold Increase/ Decrease for Second Time Varying Stimulation Field	Anabolic or Catabolic Effect of Genes Associated with Chondrocyte Development	Fold Increase/ Decrease for Third Time Varying Stimulation Field	Anabolic or Catabolic Effect of Genes Associated with Chondrocyte Development
<u>Forkhead Box (FOX) Family</u>				
FOXQ1	-4.69	Catabolic	+00.0	NDR
FOXN3	-3.61	Catabolic	+00.0	NDR
FOXC1	+00.0	NDR	-3.32	Catabolic
<u>Sex Determining Region Y (SRY) SOX Family</u>				
SOX4 (SRY-box4)	+2.91	Anabolic	+2.91	Anabolic
SOX9 (SRY-box 9)	+00.0	NDR	-4.66	Catabolic
<u>Parathyroid Hormone (PTH) Family</u>				
PTH LH (PTH-like hormone [LH])	+4.03	Catabolic	-6.59	Anabolic
<u>Transforming Growth Factor (TGF) Family</u>				
TGF-Beta 1	+3.03	Anabolic	+00.0	NDR
TGF-Beta 2	+4.41	Anabolic	+00.0	NDR
Latent TGF Beta Binding Protein 3	+4.26	Anabolic	+2.89	Anabolic
<u>Integrin Family (Cell Sur: ECM)</u>				
Integrin Alpha 8 (ITGA8)	+9.99	Anabolic	+00.0	NDR
Integrin Alpha 4 (ITGA4); CD49D)	+4.41	Anabolic	+00.0	NDR
Integrin Alpha 6 ITGA6	0.00	NDR	+3.23	Anabolic
Integrin Beta 3 (ITGB3)	+3.63	Anabolic	+00.0	NDR
Integrin Beta 2 (ITGB2)	+3.71	Anabolic	+00.0	NDR
Integrin Alpha 2 (ITGA2); CD49B	+3.34	Anabolic	+00.0	NDR
Integrin beta-like 1 (ITGBL1) with epidermal growth factor (EGF)-like repeat domains	+5.46	Anabolic	+00.0	NDR
<u>Interleukin Family (Cellular Cytokine Response)</u>				
Interleukin 33 (IL-33)(IL-1 super family)	+8.74 × 10 ⁶	Anabolic	+00.0	NDR
<u>Interleukin Family (IL-10 Family)</u>				
Interleukin 26 (IL-26)(IL-10 Family)	+4.59	Anabolic	+00.0	NDR
Interleukin 8 (IL-8)	+4.82	Anabolic	+00.0	NDR
Interleukin 6 (IL-6)	+2.89	Anabolic	+00.0	NDR
Interleukin (IL-11)	0.00	NDR	-2.91	Catabolic
<u>Thrombospondin Family</u>				
Thrombospondin 1 (THBS1)	+4.61	Anabolic	+00.0	NDR
Thrombospondin 2 (THBS2)	+3.73	Anabolic	+00.0	NDR
ADAM metalloproteinase with thrombospondin type 1 motif (ADAMTS1)	+3.18	Anabolic	-3.72	Catabolic
ADAM metalloproteinase with thrombospondin type 5 motif (ADAMTS5)	+4.00	Anabolic	-2.89	Catabolic
<u>Laminin Family</u>				
Laminin Beta 1 (LAMB1)	+00.0	NDR	+3.78	Anabolic
<u>Proteoglycan Family</u>				
Biglycan (BGN)	+3.46	Anabolic	+00.0	NDR
Aggrecan (ACAN)	+3.81	Anabolic	+00.0	NDR
PAPLN (Papilin)	+00.0	NDR	+4.79	Anabolic
Hyaluronan and Proteoglycan Link protein 1 (HAPLN 1)	+5.03	Anabolic	+00.0	NDR

TABLE 4-continued

Gene Family	Fold Increase/Decrease for Second Time Varying Stimulation Field	Anabolic or Catabolic Effect of Genes Associated with Chondrocyte Development	Fold Increase/Decrease for Third Time Varying Stimulation Field	Anabolic or Catabolic Effect of Genes Associated with Chondrocyte Development
Proteoglycan 4 (PRG4)	+3.76	Anabolic	+00.0	NDR
Leucine Proline-enriched Proteoglycan (Leprecan-Like) 1 (LEPRE1)	+2.91	Anabolic	+00.0	NDR
Matrix Metallapeptidase (MMP) Family				
SMMP1 (interstitial collagenase)	-3.39	Anabolic	+5.50	Catabolic
MMP3 (interstitial collagenase) stromelysin 1	-2.89	Anabolic	+3.18	Catabolic
MMP13 (interstitial collagenase 3)	-3.97	Anabolic	+4.41	Catabolic
Tissue Inhibitor of Metalloproteinases (TIMP) Family				
TIMP Inhibitor 3 (TIMP3) (Sorsby Fundus Dystrophy)	+3.03	Anabolic	-4.03	Catabolic
Collagen Family				
Collagen, Type 1, Alpha 1 (COL1A1)	+32.62	Anabolic	+5.98	Anabolic
Collagen, Type 3, Alpha 1 (COL3A1)	+4.23	Anabolic	+3.84	Anabolic
Collagen, Type 4, Alpha 1 (COL4A1)	+2.95	Anabolic	+00.0	NDR
Collagen, Type 4, Alpha 2 (COL4A2)	+3.12	Anabolic	+00.0	NDR
Collagen, Type 4, Alpha 4 (COL4A4)	+5.06	Anabolic	+00.0	NDR
Collagen, Type 5, Alpha 1 (COL5A1)	+22.62	Anabolic	+00.0	NDR
Collagen, Type 11, Alpha 1 (COL11A1) (Cartilage)	+44.63	Anabolic	+00.0	NDR
Collagen, Type 12, Alpha 1 (COL12A1)	+3.92	Anabolic	+00.0	NDR
Collagen, Type 15, Alpha 1 (COL15A1) (Muscle and Microvascular Deterio)	+22.47	Anabolic	-9.71	Catabolic
Collagen, Type 21, Alpha 1 (COL21A1)	+00.0	NDR	+5.06	Anabolic
Collagen, Type 27, Alpha 1 (COL27A1)	+00.0	NDR	+5.06	Anabolic
Insulin Family				
Insulin-Like Growth Factor (IGF) 1 (IGF1)	0.00	NDR	+3.94	Anabolic
Insulin-Like Growth Factor (IGF) 2 (IGF2)	+4.76	Anabolic	+4.29	Anabolic
IGF Binding Protein (IGFBP) 1	+7.78	Anabolic	-52.35	Catabolic
IGFBP2	+13.45	Anabolic	-00.0	NDR
IGFBP3	+10.70	Anabolic	-3.07	Catabolic
IGFBP5	+2.81	Anabolic	-5.74	Catabolic
IGFBP6	0.00	NDR	-3.05	Catabolic
Actin Family				
Actin, Alpha 2 (ACTA) 2	+3.32	Anabolic	+00.0	NDR
Actinin, Alpha 1 (ACTN1)	+3.12	Anabolic	+00.0	NDR
Palladin Cytoskeletal Associated Protein (PALLD)	+3.23	Anabolic	+00.0	NDR
Actin/Cytoskeletal Related Genes				
Cytoskeleton-Associated Protein (CKAP) 4	+2.85	Anabolic	+00.0	NDR
Catenin (Cadherin-Associated Protein, Alpha 1) (CTNNA1)	+3.81	Anabolic	+00.0	NDR

TABLE 4-continued

Gene Family	Fold Increase/ Decrease for Second Time Varying Stimulation Field	Anabolic or Catabolic Effect of Genes Associated with Chondrocyte Development	Fold Increase/ Decrease for Third Time Varying Stimulation Field	Anabolic or Catabolic Effect of Genes Associated with Chondrocyte Development
	Cadherin 2, N-Cadherin (Neuronal) (CDH2)	+16.45	Anabolic	+00.0
H-Cadherin (Heart) (CDH13)	+3.27	Anabolic	-2.99	Catabolic
Filamin B, Beta (Actin Binding Protein 278) (FLNB)	+2.95	Anabolic	+00.0	NDR
Filamin C, Gamma (Actin Binding Protein 280) (FLNC)	+00.0	NDR	-2.93	Catabolic

As can be observed in Table 4, several select genes of interest experienced up or down-regulation in the second experiment. It is noted that ADAMTS genes are generally considered to be anabolic when up-regulated but catabolic when down-regulated. As can be observed in Table 4, ADAMTS1 and 5 were both up-regulated with respect to exposure to the second time-varying stimulation field. Conversely, ADAMTS1 and 5 were down-regulated with respect to exposure to the third time-varying stimulation field. MMPs proteases are generally considered catabolic because they breakdown tissue (a process associated with remodeling and repair). When MMPs are down-regulated, catabolic effects are suppressed thereby having in a net anabolic effect. Conversely, when MMPs are up-regulated their catabolic effects are enhanced. As can be observed in Table 4, MMP1, 3, and 13 were down-regulated with respect to exposure to the second time-varying stimulation field. Conversely, MMP 1, 3, and 13 were up-regulated with respect to exposure to the third time-varying stimulation field. BMP1 is involved in cartilage development and is related to a regenerative function or anabolic in nature. Table 4 shows that BMP1 was up-regulated with respect to exposure to the second time-varying stimulation field. Conversely, BMP1 was down-regulated with respect to exposure to the third time-varying stimulation field.

Example 3 (Human Osteoblasts)

In a third experiment, a first set of HOB cell samples contained in at least 3 RWVs were exposed to substantially the same time-varying stimulation field profile as compared to the second time-varying stimulation field of predetermined profile in the second experiment. For clarity purposes, this stimulation field profile will be referred to as a fourth time-varying stimulation field of predetermined profile comprised of substantially a biphasic, square wave with a frequency of about 10 Hz; a wavelength of about 500 ms; a rising slew rate between about 0.2 T/s (2.0 kG/s) to about 0.45 T/s (4.5 kG/s); a falling slew rate between about 0.45 T/s (4.5 kG/s) to about 1.55 T/s (15.5 kG/s); a dwell time of about 10% after each burst; a duty cycle of about 80% on and about 20% off; and a resultant B-Field magnitude of about 65 μ T (0.65 G). A second set of HOB cell samples contained in at least 3 RWVs were also separately exposed to substantially the same stimulation field as compared to the third time-varying stimulation field previously described.

For clarity purposes, this pulsed stimulation field will be referred to as the fifth time-varying stimulation field of predetermined profile comprised substantially of a monophasic, delta wave with a frequency of 15 Hz; a duty cycle of about 30% on and about 70% off; and a resultant B-Field magnitude of about 65 μ T (0.65 G), wherein said B-Field magnitude is substantially fixed in one direction (i.e., monophasic). Note that in this experiment, the B-Field magnitudes of the fourth and fifth time-varying stimulation fields were substantially equal. Equivalent equipment was used for the first and second sets of HOB cell samples. Equivalent equipment was used in comparison with the second and third experiments. Exposures were continuous for the length of this experiment wherein said length was about 30 days or about 720 hours. As in the second experiment, the resultant cellular effects between the first and second sets of HOB cell samples were substantively different. It is noted here that two separate gene analyses for the first and second set of HOB cell samples were conducted. For the first set of HOB cell samples, these gene analyses are defined as #1 and #2 Fold Increase/Decrease for Fourth Time Varying Stimulation Field in Tables 6 and 7 below. For the second set of HOB cell samples, these gene analyses are defined as #3 and #4 Fold Increase/Decrease for Fifth Time Varying Stimulation Field in Tables 6 and 7 below. A comparison of exemplary results associated with the two separate gene analyses for each of the two field profiles are provided in the tables below:

TABLE 5

Stimulation Field	# Genes Regulated	# of Anabolic Gene Effects	# of Catabolic Gene Effects
#1 Fourth Time-Varying Stimulation Field	2495	87	6
#2 Fourth Time-Varying Stimulation Field	2691	81	4
#3 Fifth Time-Varying Stimulation Field	437	20	7
#4 Fifth Time-Varying Stimulation Field	527	21	5

¹In exemplary results in accordance to Tables 6 and 7.

TABLE 6

Gene Family	#1 Fold Increase/Decrease for Fourth Time Varying Stimulation Field	Anabolic or Catabolic Effect Effect of Genes Associated with Osteoblast and bone cell Development	#3 Fold Increase/Decrease for Fifth Time Varying Stimulation Field	Anabolic or Catabolic Effect Effect of Genes Associated with Osteoblast and bone cell Development
actin (ACTB)	NDR	NRE	+3.3309	Anabolic
ADAM metallopeptidase domain 10 (ADAM10)	+4.0239	Anabolic	+3.1776	Anabolic
ADAM metallopeptidase domain 17 (tumor necrosis factor interacts with TNF alpha (ADAM17))	+3.1086	Anabolic	NDR	NRE
ADAM metallopeptidase with thrombospondin type 1 motif (ADAMTS1)	+9.6955	Anabolic	NDR	NRE
apoptosis inhibitor 5 (API5)	+2.9426	Anabolic	NDR	NRE
B-cell CLL/lymphoma 3 (BCL3)	+2.9013	Anabolic	NDR	NRE
B-cell CLL/lymphoma 6 (zinc finger protein 51) (BCL6)	NDR	NRE	+2.8596	Anabolic
BCL2-associated athanogene 2 (BAG2)	NDR	NRE	+2.8730	Anabolic
BCL2-related protein A1 (BCL2A1)	-3.2422	Catabolic	NDR	NRE
biglycan (BGN) (201262_s_at)	+17.3408	Anabolic	NDR	NRE
bone morphogenetic protein 2 (BMP2)	+136.2100	Anabolic	NDR	NRE
bone morphogenetic protein receptor (BMPR2)	+3.2517	Anabolic	NDR	NRE
cadherin 11 Bone Specific/Osteoblasts (CDH11)	+3.4967	Anabolic	NDR	NRE
Calcium/calmodulin-dependent protein kinase (CaM kinase) II delta (CAMK2D)	+6.0076	Anabolic	NDR	NRE
calmodulin 1 (phosphorylase kinase (CALM1))	NDR	NRE	+2.9689	Anabolic
calumenin (CALU) (214845_s_at)	+4.0815	Anabolic	+3.5804	Anabolic
cartilage oligomeric matrix protein (COMP)	+12.1656	Anabolic	-3.8106	Catabolic
CASP8 and FADD-like apoptosis regulator (CFLAR)	-2.8575	Anabolic	NDR	NRE
catenin (cadherin-associated protein) (CTNNA1)	+4.4593	Anabolic	+3.2564	Anabolic
cathepsin C (CTSC)	-4.2881	Anabolic	NDR	NRE
cathepsin O (CTSO)	-2.8365	Anabolic	NDR	NRE
cathepsin S (CTSS)	-2.9715	Anabolic	NDR	NRE
chondroitin sulfate proteoglycan 4 (CSPG4) (214297_at)	+4.0672	Anabolic	NDR	NRE
clusterin Anti apoptosis and MMPs (CLU)	+19.4810	Anabolic	NDR	NRE
collagen (COL12A1)	+2.9218	Anabolic	NDR	NRE
collagen (COL15A1)	-16.2926	Anabolic	NDR	NRE
collagen (COL1A1)	+2.8683	Anabolic	NDR	NRE
collagen (COL3A1)	+4.7532	Anabolic	NDR	NRE
collagen (COL3A1)	+4.5715	Anabolic	NDR	NRE
collagen (COL4A1)	+3.1465	Anabolic	NDR	NRE
collagen (COL4A2)	+3.2012	Anabolic	+2.8581	Anabolic

TABLE 6-continued

Gene Family	#1 Fold Increase/Decrease for Fourth Time Varying Stimulation Field	Anabolic or Catabolic Effect Effect of Genes Associated with Osteoblast and bone cell Development	#3 Fold Increase/Decrease for Fifth Time Varying Stimulation Field	Anabolic or Catabolic Effect Effect of Genes Associated with Osteoblast and bone cell Development
collagen (COL4A3BP)	+3.3796	Anabolic	NDR	NRE
collagen (COL5A2)	+3.6551	Anabolic	NDR	NRE
collagen (COL6A1)	+3.0345	Anabolic	+3.2741	Anabolic
collagen (COL8A1)	+2.9195	Anabolic	NDR	NRE
cytochrome P450 (CYP1B1) embryonic development	+6.4062	Anabolic	+3.7186	Anabolic
cytochrome P450 (CYP24A1) Vit D3 homeostatis	+5.0863	Anabolic	NDR	NRE
endoglin (Osler-Rendu-Weber syndrome 1) (ENG)	NDR	NRE	+2.9135	Catabolic
Fas (TNF receptor superfamily (FAS))	+3.2724	Anabolic	+3.5713	Anabolic
fibrillin 1 (FBN1)	+3.2809	Anabolic	+3.7335	Anabolic
fibroblast growth factor 1 (acidic) (FGF1)	-2.8473	Anabolic	NDR	NRE
fibroblast growth factor 18/embryonic development, cell growth, morphogenesis, tissue repair (FGF18)	+4.5734	Anabolic	NDR	NRE
fibulin 1 (FBLN1)	+4.1863	Anabolic	NDR	NRE
forkhead box N3 (FOXP3)	+3.9116	Anabolic	NDR	NRE
forkhead box O1 (FOXO1)	+2.8822	Anabolic	NDR	NRE
forkhead box O3 Tumor Suppressor (FOXO3) (204132_s_at)	+3.3640	Anabolic	NDR	NRE
forkhead box O3 (FOXO3) (210655_s_at)	+3.1184	Anabolic	NDR	NRE
forkhead box Q1 Function Unknown (FOXQ1)	+3.3091	Anabolic	NDR	NRE
importin 11 (IPO11)	+2.9481	Anabolic	NDR	NRE
importin 7 (IPO7) (200992_at)	+4.7592	Anabolic	NDR	NRE
insulin-like growth factor 1 (somatomedin C) (IGF1)	+3.1870	Anabolic	NDR	NRE
insulin-like growth factor binding protein 1 (IGFBP1)	-13.6898	Anabolic	NDR	NRE
insulin-like growth factor binding protein 5 (IGFBP5)	-18.5362	Anabolic	NDR	NRE
interleukin 1 family (IL1F8)	NDR	NRE	+4.1682	Catabolic
interleukin 17D (IL17D)	-2.8729	Anabolic	NDR	NRE
interleukin 32 (IL32)	+2.8646	Anabolic	NDR	NRE
interleukin 33 (IL33)	+48.2994	Anabolic	+3.2614	Anabolic
interleukin 6 (interferon (IL6))	-3.7429	Anabolic	NDR	NRE
interleukin 8 (IL8)	+3.0542	Anabolic	+3.6065	Anabolic
laminin (LAMB1)	+2.9398	Anabolic	-2.9140	Catabolic
leptin (obesity homolog (LEP))	-2.8863	Anabolic	NDR	NRE

TABLE 6-continued

Gene Family	#1 Fold Increase/Decrease for Fourth Time Varying Stimulation Field	Anabolic or Catabolic Effect Effect of Genes Associated with Osteoblast and bone cell Development	#3 Fold Increase/Decrease for Fifth Time Varying Stimulation Field	Anabolic or Catabolic Effect Effect of Genes Associated with Osteoblast and bone cell Development
matrix metalloproteinase 14 (membrane-inserted) (MMP14)	NDR	NRE	+2.8543	Catabolic
mitogen-activated protein kinase associated protein 1 (MAPKAP1)	+3.6457	Anabolic	NDR	NRE
mitogen-activated protein kinase-activated protein kinase 2/inhibition of apoptosis, regulation of cell development, and cell differentiation (MAPKAPK2)	+8.9929	Anabolic	NDR	NRE
msh homeobox 1 (MSX1)	+3.4459	Anabolic	NDR	NRE
Notch homolog 2 (Drosophila) (NOTCH2)	+5.1985	Anabolic	+3.6551	Anabolic
nuclear factor of activated T-cells (NFATC3)	+4.0922	Anabolic	NDR	NRE
osteoglycin (OGN)	+3.2508	Anabolic	NDR	NRE
pallidin homolog (mouse) (PLDN)	+2.9546	Anabolic	NDR	NRE
parathyroid hormone-like hormone (PTH1H)	-3.9816	Catabolic	NDR	NRE
peroxisome proliferator-activated receptor alpha (PPARA)	+3.7661	Anabolic	NDR	NRE
platelet derived growth factor C (PDGFC)	+11.8582	Anabolic	+3.7643	Anabolic
procollagen-lysine (PLOD2)	+3.1194	Anabolic	NDR	NRE
procollagen-proline (P4HB)	+3.1958	Anabolic	+3.3121	Anabolic
protocadherin beta 6 (PCDHB6)	+3.5486	Anabolic	NDR	NRE
protocadherin gamma subfamily A (PCDHGA3)	+3.1857	Anabolic	NDR	NRE
reticulocalbin 1 (RCN1)	-2.8536	Anabolic	NDR	NRE
runt-related transcription factor 2 (RUNX2)	+4.2303	Anabolic	NDR	NRE
signal transducer and activator of transcription 1 (STAT1)	-4.7015	Anabolic	+3.0161	Catabolic
signal transducer and activator of transcription 2 (STAT2)	-3.1518	Anabolic	NDR	NRE
signal transducer and activator of transcription 3 (acute-phase response factor) (STAT3)	+2.9537	Anabolic	NDR	NRE
SMAD family member 1 (SMAD1)	+2.9000	Anabolic	NDR	NRE

TABLE 6-continued

Gene Family	#1 Fold Increase/Decrease for Fourth Time Varying Stimulation Field	Anabolic or Catabolic Effect Effect of Genes Associated with Osteoblast and bone cell Development	#3 Fold Increase/Decrease for Fifth Time Varying Stimulation Field	Anabolic or Catabolic Effect Effect of Genes Associated with Osteoblast and bone cell Development
SMAD family member 2 (SMAD2)	+2.9848	Anabolic	NDR	NRE
SMAD family member 4 (SMAD4)	+4.8768	Anabolic	+2.9077	Anabolic
SMAD family member 6 (SMAD6)	+3.6075	Anabolic	NDR	NRE
sparc/osteonectin (SPOCK1)	+3.3007	Anabolic	NDR	NRE
SRY (sex determining region Y)-box 4 (SOX4) (201417_at)	+6.0198	Anabolic	NDR	NRE
SRY (sex determining region Y)-box 9 (campomelic dysplasia (SOX9))	+2.9461	Anabolic	NDR	NRE
stanniocalcin 1 (STC1)	-133.3427	Anabolic	NDR	NRE
stanniocalcin 2 (STC2)	-6.3031	Anabolic	-2.8380	Anabolic
superoxide dismutase 2 (SOD2)	+4.1182	Anabolic	NDR	NRE
syndecan 1 (SDC1)	+2.8761	Anabolic	NDR	NRE
TRAF family member- associated NFKB activator (TANK)	+2.9982	Anabolic	NDR	NRE
tumor necrosis factor (ligand) superfamily TRAIL (TNFSF10)	-5.8708	Anabolic	NDR	NRE
tumor necrosis factor (ligand) superfamily (TNFSF13B)	-3.9019	Anabolic	+3.3676	Catabolic
tumor necrosis factor (ligand) superfamily (TNFSF15)	-13.4107	Anabolic	NDR	NRE
tumor necrosis factor receptor superfamily (TNFRSF10D)	NDR	NRE	-2.9040	Anabolic
v-akt murine thymoma viral oncogene homolog 3 (protein kinase B (AKT3))	+4.3325	Anabolic	NDR	NRE

TABLE 7

Gene Family	#2 Fold Increase/Decrease for Fourth Time Varying Stimulation Field	Anabolic or Catabolic Effect Effect of Genes Associated with Osteoblast and bone cell Development	#4 Fold Increase/Decrease for Fifth Time Varying Stimulation Field	Anabolic or Catabolic Effect Effect of Genes Associated with Osteoblast and bone cell Development
actin (ACTB)	NDR	NRE	+3.2497	Anabolic
ADAM metallopeptidase domain 10 (ADAM10)	+3.8784	Anabolic	+3.1870	Anabolic
ADAM metallopeptidase domain 17 (tumor necrosis factor (ADAM17))	+3.0926	Anabolic	+3.1296	Anabolic

TABLE 7-continued

Gene Family	#2 Fold Increase/Decrease for Fourth Time Varying Stimulation Field	Anabolic or Catabolic Effect of Genes Associated with Osteoblast and bone cell Development	#4 Fold Increase/Decrease for Fifth Time Varying Stimulation Field	Anabolic or Catabolic Effect of Genes Associated with Osteoblast and bone cell Development
ADAM metalloproteinase domain 33 (ADAM33)	-5.5601	Catabolic	NDR	NRE
ADAM metalloproteinase with thrombospondin type 1 motif (ADAMTS1)	+4.3910	Anabolic	NDR	NRE
ADAM metalloproteinase with thrombospondin type 1 motif (ADAMTS6)	-2.9113	Catabolic	NDR	NRE
B-cell CLL/lymphoma 6 (zinc finger protein 51) (BCL6)	+4.2264	Anabolic	+2.9836	Anabolic
biglycan (BGN)	+10.8190	Anabolic	NDR	NRE
bone gamma-carboxyglutamate (gla) protein (osteocalcin) (BGLAP)	+3.4068	Anabolic	NDR	NRE
bone morphogenetic protein 2 (BMP2)	+265.1634	Anabolic	NDR	NRE
calcium/calmodulin-dependent protein kinase (CaM kinase) II delta (CAMK2D)	+4.2280	Anabolic	NDR	NRE
calmodulin 1 (phosphorylase kinase (CALM1))	NDR	NRE	+2.9379	Anabolic
calumenin (CALU)	+3.2043	Anabolic	+3.1993	Anabolic
cartilage oligomeric matrix protein (COMP)	+17.7007	Anabolic	-4.0956	Catabolic
catenin (cadherin-associated protein) (CTNNA1)	+4.5090	Anabolic	+3.5238	Anabolic
cathepsin C (CTSC)	-4.9355	Anabolic	NDR	NRE
cathepsin H (CTSH)	-3.1342	Anabolic	NDR	NRE
cathepsin S (CTSS)	-2.8325	Anabolic	NDR	NRE
chondroitin sulfate proteoglycan 4 (CSPG4)	+3.2199	Anabolic	NDR	NRE
clusterin (CLU)	+26.2849	Anabolic	NDR	NRE
collagen (COL12A1)	+3.6143	Anabolic	+2.9117	Anabolic
collagen (COL16A1)	-2.8512	Anabolic	-3.0354	Anabolic
collagen (COL1A1)	+2.8438	Anabolic	NDR	NRE
collagen (COL3A1)	+5.4512	Anabolic	NDR	NRE
collagen (COL4A2)	+3.0110	Anabolic	NDR	NRE
collagen (COL5A2)	+2.9639	Anabolic	NDR	NRE
cytochrome P450 (CYP11A1)	-2.9175	Anabolic	NDR	NRE
cytochrome P450 (CYP19A1)	-11.9176	Anabolic	NDR	NRE
cytochrome P450 (CYP1B1)	+7.1220	Anabolic	+4.4823	Anabolic
cytochrome P450 (CYP24A1)	+5.3640	Anabolic	NDR	NRE
cytochrome P450 (CYP4V2)	-2.9432	Anabolic	NDR	NRE
cytochrome P450 (CYP51A1)	+4.7959	Anabolic	NDR	NRE
cytochrome P450 (CYP7B1)	-4.6752	Anabolic	NDR	NRE
endoglin (Osler-Rendu-Weber syndrome 1) (ENG)	+2.9055	Catabolic	NDR	NRE
Fas (TNF receptor superfamily) (FAS)	+3.0606	Anabolic	NDR	NRE
fibrillin 1 (FBN1)	+3.3971	Anabolic	+3.6475	Anabolic

TABLE 7-continued

Gene Family	#2 Fold Increase/Decrease for Fourth Time Varying Stimulation Field	Anabolic or Catabolic Effect Effect of Genes Associated with Osteoblast and bone cell Development	#4 Fold Increase/Decrease for Fifth Time Varying Stimulation Field	Anabolic or Catabolic Effect Effect of Genes Associated with Osteoblast and bone cell Development
fibroblast growth factor 1 (acidic) (FGF1)	-2.9045	Anabolic	NDR	NRE
fibroblast growth factor 18 (FGF18)	+6.0853	Anabolic	NDR	NRE
embryonic development				
fibulin 1 (FBLN1)	+4.8829	Anabolic	NDR	NRE
forkhead box Q1 (FOXQ1)	+3.2639	Anabolic	NDR	NRE
importin 11 (IPO11)	+3.5238	Anabolic	NDR	NRE
importin 7 (IPO7)	+4.7773	Anabolic	NDR	NRE
insulin-like growth factor 1 (somatomedin C) (IGF1)	+2.9529	Anabolic	NDR	NRE
insulin-like growth factor binding protein 1 (IGFBP1)	-11.3487	Anabolic	NDR	NRE
insulin-like growth factor binding protein 2 (IGFBP2)	-3.4126	Anabolic	NDR	NRE
interleukin 1 family (IL1F8)	NDR	NRE	+4.6908	
interleukin 32 (IL32)	+2.8329	Anabolic	NDR	NRE
interleukin 33 (IL33)	+77.4903	Anabolic	+3.4328	Anabolic
interleukin 4 induced 1 (IL4I1)	-2.9266	Anabolic	NDR	NRE
interleukin 6 (interferon (IL6)	-4.0698	Anabolic	NDR	NRE
interleukin 8 (IL8)	NDR	NRE	+4.4075	Anabolic
laminin (LAMB1)	+3.5168	Anabolic	NDR	NRE
leptin (obesity homolog (LEP)	-2.8432	Anabolic	NDR	NRE
mitogen-activated protein kinase associated protein 1 (MAPKAP1)	+3.4504	Anabolic	NDR	NRE
mitogen-activated protein kinase-activated protein kinase 2 (MAPKAPK2)	+6.6319	Anabolic	+3.4968	Anabolic
msh homeobox 1 (MSX1)	+3.1872	Anabolic	NDR	NRE
Notch homolog 2 (Drosophila) (NOTCH2)	+6.6681	Anabolic	+3.9031	Anabolic
nuclear factor of activated T-cells (NFATC3)	+4.4679	Anabolic	NDR	NRE
osteoglycin (OGN)	+2.9048		NDR	NRE
pallidin homolog (mouse) (PLDN)	+3.7839		NDR	NRE
parathyroid hormone-like hormone (PTH1H)	-2.9471	Anabolic	NDR	NRE
peroxisome proliferator-activated receptor alpha (PPARA)	+3.3980	Anabolic	NDR	NRE
platelet derived growth factor C (PDGFC) (222719_s_at)	+8.6547	Anabolic	NDR	NRE
platelet-derived growth factor alpha polypeptide (PDGFA)	+2.8343	Anabolic	NDR	NRE

TABLE 7-continued

Gene Family	#2 Fold Increase/Decrease for Fourth Time Varying Stimulation Field	Anabolic or Catabolic Effect Effect of Genes Associated with Osteoblast and bone cell Development	#4 Fold Increase/Decrease for Fifth Time Varying Stimulation Field	Anabolic or Catabolic Effect Effect of Genes Associated with Osteoblast and bone cell Development
procollagen-lysine (PLOD2)	+3.2120	Anabolic	NDR	NRE
procollagen-proline (P4HB)	+3.3854	Anabolic	+3.2322	Anabolic
protocadherin 7 (PCDH7)	+4.3290	Anabolic	NDR	NRE
protocadherin beta 15 (PCDHB15)	+3.1245	Anabolic	NDR	NRE
protocadherin beta 5 (PCDHB5)	+4.9055	Anabolic	NDR	NRE
protocadherin gamma subfamily A (PCDHGA10 /// PCDHGA11 /// PCDHGA12 /// PCDHGA3 /// PCDHGA5 /// PCDHGA6)	+3.6665	Anabolic	+3.1682	Anabolic
protocadherin gamma subfamily C (PCDHGC3)	+3.2147	Anabolic	NDR	NRE
runt-related transcription factor 2 (RUNX2)	+4.6912	Anabolic	NDR	NRE
signal transducer and activator of transcription 1 (STAT1)	-5.6924	Anabolic	+3.5656	Catabolic
signal transducer and activator of transcription 2 (STAT2)	-3.1503	Anabolic	+3.3033	Catabolic
signal transducer and activator of transcription 3 (acute-phase response factor) (STAT3)	+2.8810	Anabolic	+2.8416	Anabolic
SMAD family member 2 (SMAD2)	+2.9680	Anabolic	NDR	NRE
SMAD family member 4 (SMAD4)	+4.4233	Anabolic	+3.2649	Anabolic
SMAD family member 6 (SMAD6)	+3.8208	Anabolic	NDR	NRE
SMAD family member 7 (SMAD7)	+3.4806	Anabolic	NDR	NRE
sparc/osteonectin (SPOCK1)	+3.2869	Anabolic	NDR	NRE
SRY (sex determining region Y)-box 4 (SOX4)	+3.6585	Anabolic	NDR	NRE
SRY (sex determining region Y)-box 9 (campomelic dysplasia (SOX9)	+2.8642	Anabolic	NDR	NRE
stanniocalcin 1 (STC1)	-76.1478	Anabolic	NDR	NRE
stanniocalcin 2 (STC2)	-7.3838	Anabolic	NDR	NRE
superoxide dismutase 2 (SOD2)	+3.6248	Anabolic	NDR	NRE
syndecan 1 (SDC1)	+3.0232	Anabolic	NDR	NRE
TIMP metalloproteinase inhibitor 3 (Sorsby fundus dystrophy (TIMP3)	NDR	NRE	+2.8771	Anabolic
tumor necrosis factor (ligand) superfamily BAFF (TNFSF13B)	-3.1995	Anabolic	NDR	NRE

TABLE 7-continued

Gene Family	#2 Fold Increase/Decrease for Fourth Time Varying Stimulation Field	Anabolic or Catabolic Effect of Genes Associated with Osteoblast and bone cell Development	#4 Fold Increase/Decrease for Fifth Time Varying Stimulation Field	Anabolic or Catabolic Effect of Genes Associated with Osteoblast and bone cell Development
tumor necrosis factor (ligand) superfamily TRAIL (TNFSF10)	-3.2316	Anabolic	+3.6523	Catabolic
tumor necrosis factor receptor superfamily (TNFRSF10A)	+2.8649	Anabolic	NDR	NRE
tumor necrosis factor receptor superfamily (TNFRSF10D)	NDR	NRE	-2.9102	Anabolic
tumor necrosis factor receptor superfamily (TNFRSF11B)	-2.9260	Catabolic	NDR	NRE
tumor necrosis factor receptor superfamily (TNFRSF21)	NDR	NRE	+3.4511	Catabolic
v-akt murine thymoma viral oncogene homolog 3 (protein kinase B (AKT3))	+4.0693	Anabolic	NDR	NRE

Based on consensus related art publications, it was anticipated that the results associated with the fourth and fifth time-varying stimulation fields would be substantially or at least reasonably equal given that the B-Field magnitudes were substantially the same. However, the actual results refuted this expectation. In fact, the actual results of the third experiment indicate that the differences in gene expressions were not substantially the result of B-Field magnitude. Rather, other FOMs related to a field's profile affect cellular activity wherein said other FOMs can overcome the strength (or lack thereof) of a B-Field magnitude. Of the 47,000 genes analyzed, approximately 2500 genes responded to the fourth time-varying stimulation field as compared to approximately 450 genes responding to the fifth time-varying stimulation field which comprises a greater than 550% increase in gene response. The difference in the number of gene responses and associated percentage difference is indicative of the fourth time-varying stimulation field having a significantly greater effect on HOBs as compared to the fifth time-varying stimulation field. Hence, as discussed, the results refute the related art expectation that substantially or at least reasonably similar results were expected due to substantially similar B-Field magnitudes associated with the fourth and fifth time-varying stimulation fields.

Certain types of genes and genomic cascades respond differently to different stimulation fields of predetermined profiles. And, in regard to the fourth time-varying stimulation field, anabolic genes are substantially up-regulated as compared to other types of genes. Further, the inventors realized another unanticipated result in that the percentage of regulated genes associated with the HOB sample exposed to the fourth time-varying stimulation field was much higher as compared to the percentage of regulated genes associated with the HCH sample exposed to the second time-varying stimulation field. Thus, the same stimulation field of predetermined profile affects genetic response in HCH differently as compared to HOB. Thus, the same stimulation field profile can be applied to different tissue wherein different

30 results occur. In regard to different genetic responses in HCH and compared to HOB, the inventors postulate that due to substantial differences in the total CA2+ and K+ density in cartilage vs. mineralized bone, the subcellular transcription signals are different when exposed to the same stimulation field. This presents an unanticipated explanation for the many different results seen in scientific articles using PEMFs. Thus a variety of potential tuning solutions for different mammalian tissues is likely.

35 Still further, the inventors realized that based on the fact that different stimulation fields can affect cells with regard to regulation of regenerative and reparative genes to produce a net regenerative (i.e., anabolic) or net reparative (i.e., catabolic) effect, different stimulation fields and their associated exposure times or time schedules can be used in combination with each other to design customized therapeutic applications. Multiple embodiments exist for combining stimulation fields and their associated exposure times or time schedules. For example, in an embodiment, a stimulation field (and its associated exposure times or time schedules) tuned to produce a net catabolic effect in HOB cells, HCH cells, or both can be initially used to stimulate a net catabolic effect. After a predetermined amount of catabolic or reparative effect(s) are realized, another stimulation field (and its associated exposure times or time schedules) tuned to produce a net anabolic effect in HOB cells, HCH cells, or both can be utilized until a predetermined amount of anabolic or regenerative effect(s) are realized. The process can be repeated if so desired. Alternatively, in another embodiment, it is conceivable that a therapeutic application may be customized to use a stimulation field (and its associated exposure times or time schedules) tuned to produce a net catabolic effect in HOB cells, HCH cells, or both in combination and simultaneously with a stimulation field (and its associated exposure times or time schedules) tuned to produce a net anabolic effect in HOB cells, HCH cells, or both. Still further, the use of tuned stimulation fields in series, in parallel, or both may be employed.

These results represent a means to tune at least one predetermined profile of a time-varying stimulation field to preferentially stimulate (up-regulate, down-regulate, or a combination of both) the biochemical cellular and sub-cellular molecular responses to trigger the activation of known mammalian genes responsible for the restoration, repair, and maintenance of cartilage and bone. Specifically, said preferential stimulation can be targeted to specific genes, gene families, or a combination of both, responsible for anabolic effects, catabolic effects, or a combination of both. Tables 2, 4, 6, and 7 are incorporated herein as identifying examples of such specific genes and gene families that may be targeted for preferential stimulation by a tuned time-varying stimulation field of at least one tuned predetermined profile. It has been demonstrated that the use of cell samples (such as HOB or HCH, however any kind of biological cell sample can be used depending on the biological matter of interest) and microcarriers encased in RWVs in combination with a stimulation field generator can be used in an empirical manner to tune a time-varying stimulation field of at least one predetermined profile to optimize genetic anabolic effects, catabolic effect, or a combination of both. With particular reference to FIG. 9, for example, as can be extracted by the sequence of experiments previously described, a tuning step 50 may comprise providing at least one set of cellular samples in at least one rotating wall vessel 51; exposing said at least one set of cellular samples to at least one experimental time-varying stimulation field comprising at least one experimental predetermined profile 52; conducting at least one gene expression analyses to said at least one set of cellular samples 53; analyzing the genetic anabolic and catabolic effects from the results of said at least one gene expression analyses 54; generating at least one conclusion from said step of analyzing 55; comparing said at least one conclusion with predetermined criteria 65; if said at least one conclusion does not meet predetermined criteria, adjusting said at least one experimental predetermined profile based on said at least one conclusion 56; and selecting said at least one tuned time-varying stimulation field profile for said predetermined tuned exposure time or said plurality of tuned exposure time sequences 57. The predetermined criteria in step 56 may comprise, for example, a predetermined number of anabolic genetic effects or responses; catabolic genetic effects or responses; or a combination of both. With particular reference to FIG. 10, for example, the step of analyzing the genetic anabolic and catabolic effects may be comprised of: selecting a predetermined set of genes 58; calculating a fold change for each gene in said set of genes from the results of said at least one gene expression 59; determining if each of said fold change is consistent with up-regulation or down-regulation for said each gene 60; and classifying each of said fold change as an anabolic or catabolic effect based on said up-regulation or down-regulation for said each gene 61. The said step of generating at least one conclusion may be comprised of: establishing a relative value for each of said anabolic or catabolic effect on said up-regulation or down-regulation for said each gene 62; comparing each of said relative value in combination 63; selecting a conclusion comprised of either a substantive net anabolic effect, a substantive net catabolic effect, a net anabolic effect, a net catabolic effect, or no determinative effect 64.

One skilled in the art would readily appreciate that the present innovation is well adapted to carry out the objects and obtain the ends and advantages mentioned, as well as those inherent therein. The present examples along with the methods, procedures, treatments, and biological materials

described herein are presently representative of embodiments and preferred embodiments; are exemplary; and are not intended as limitations to the scope of the innovation. Changes therein and other uses will occur to those skilled in the art which are encompassed within the spirit of the subject innovation as defined by the scope of the claims.

The following references are cited herein:

- Atkins, G. (2009). *American Journal of Physiology—Cell Physiology*, 1152.
- de Bolster, M. (1997). Glossary of Terms Used in Bioinorganic Chemistry. Retrieved Oct. 30, 2007, from Glossary of Terms Used in Bioinorganic Chemistry: <http://www.chem.qmul.ac.uk/iupac/bioinorg/AB.html#20>
- Goodwin, T. J. (1998). U.S. Pat. No. 5,846,807.
- Goodwin, T. J., & Parker, C. R. (2007). U.S. Pat. No. 7,179,217
- Ishikawa, T. (2006). *Journal of Biological Chemistry*, 16927-16934.
- Koshihara, Y. (1997). *Journal of Bone and Mineral Research*, 431-438.
- Lanza, R. (2000). *Handbook of Stem Cells*. Burlington: Academic Press.
- Nicholls, D. G., & Ferguson, S. J. (2002). *Bioenergetics*. Academic Press.
- Ramsey, et al., (2007). *The Clockwork of Metabolism*. *Annu. Rev. Nutr.*, 219-240.
- Trock, D. H. (2000). *Rheumatic Disease Clinics of North America*, 51-62.

What is claimed is:

1. A method to up-regulate or down-regulate an expression level of human genes of interest, comprising the steps of:

positioning a time-varying stimulation field generating apparatus proximate to a sample of human chondrocyte cells or human osteoblast cells or a combination thereof; and

generating, via said apparatus, a time-varying stimulation field with a B-Field magnitude of about 0.059 G or 0.65 G and a frequency of about 10 Hz for the human chondrocyte cells or a B-Field magnitude of about 0.65 G and a frequency of about 10 Hz or 15 Hz for the human osteoblast cells, a rising slew rate of about 2.0 kG/s to about 4.5 kG/s, a rise time, a falling slew rate of about 4.5 kG/s to about 15.5 kG/s, a fall time, a wavelength of about 500 ms, a duty cycle of about 80% or 30%, and a sample exposure time of 720 hours predetermined for upregulation or down-regulation of the expression level of the human genes of interest in the sample.

2. The method of claim 1, wherein said time-varying stimulation field generating apparatus comprises:

a power source;

a control component operably connected to said power source; and

a transmission component operably connected to said control component and said power source.

3. The method of claim 1, wherein the mammalian genes of interest for said human chondrocyte cells are a Wnt signaling gene, forkhead box gene, a sex determining region Y Sry-related high mobility group box gene, a parathyroid hormone gene, a transforming growth factor beta super gene, a latent transforming growth factor gene, an integrin gene, an interleukin gene, a thrombospondin gene, a laminin gene, a proteoglycan gene, a collagen gene, an insulin gene, a disintegrin and metalloproteinase gene, an actin gene, a catenin gene and a cadherin super gene.

47

4. The method of claim 1, wherein the mammalian genes of interest for said human osteoblast cells are a forkhead box gene, a parathyroid hormone gene, an integrin gene, a interleukin gene, a thrombospondin gene, a laminin gene, a proteoglycan gene, an osteoglycin gene, a collagen gene, an insulin gene, a disintegrin and metalloproteinase gene, a disintegrin and metalloproteinase with thrombospondin motifs gene, a matrix metalloproteinase gene, an actin gene, a catenin gene, a cadherin super gene, a B-cell lymphoma gene, a calmodulin calcium-modulated gene, a calumenin gene, a cathepsin gene, a clusterin, cytochrome P 450 super gene, an endoglin gene, a fibrillin gene, a fibroblast growth factor gene, a leptin gene, a mitogen-activated protein kinase activated protein kinase gene, a muscle segment homeobox gene, a neurogenic locus notch homolog protein gene, a peroxisome proliferator-activated receptors gene, a platelet derived growth factor gene, a reticulocalbin gene, a runt related transcription factors gene, a signal transducer and activator of transcription gene, a similar to mothers against decapentaplegic gene, a stanniocalcin gene, a superoxide dismutase gene, a syndecan gene, a tumor necrosis factor super gene, an AKT/protein kinase B signaling gene, and an importin gene.

5. The method of claim 2, wherein said predetermined time-varying stimulation field is in the form of a substantially square, biphasic waveform.

6. The method of claim 1, wherein said rise time is between about 125 μ s to 1 ms.

7. The method of claim 1, wherein said fall time is between about 125 μ s to 1 ms.

8. The method of claim 1, further comprising the step of contacting said human chondrocyte cells or human osteoblast cells with Vitamin D, Vitamin K or a combination of Vitamin D and Vitamin K.

9. A method of activating mammalian human genes associated with bone formation, comprising the steps of:

generating at least one time-varying stimulation field in the form of a substantially square, biphasic waveform by using a time-varying stimulation field generating apparatus;

manipulating a B-Field magnitude, rising slew rate, rise time, falling slew rate, fall time, frequency, wavelength, duty cycle, sample exposure time or time

48

sequences, or a combination thereof of the at least one time varying stimulation field to values predetermined for activating the mammalian genes;

exposing samples of mammalian cells associated with bone formation to said at least one time varying stimulation field manipulated for activation of the mammalian genes; and

contacting said mammalian cells associated with bone formation with Vitamin D, Vitamin K or a combination of Vitamin D and Vitamin K at the exposing step.

10. The method of claim 9, wherein said time varying stimulation field generating apparatus comprises:

a power source;

a control component operably connected to said power source; and

a transmission component operably connected to said control component and said power source.

11. The method of claim 9, wherein said mammalian genes are bone morphogenetic protein family genes, actin family genes, thrombospondin family genes, laminin family genes, proteoglycan family genes, collagen family genes, tumor necrosis factor genes family, transforming growth factor family genes, actin/cytoskeleton related family genes or a combination thereof.

12. The method of claim 9, wherein said B-Field magnitude is between about 0.6 G to about 50 G.

13. The method of claim 9, wherein said B-Field frequency is from about 10 Hz to about 16 Hz.

14. The method of claim 9, wherein said rise time is from about 0.75 ms to about 1 ms and said rising slew rate is from about 2.0 kG/s to about 4.5 kG/s.

15. The method of claim 9, wherein said fall time is from about 125 μ s to about 300 μ s and said falling slew rate from about 4.5 kG/s to about 15.5 kG/s.

16. The method of claim 9, wherein said duty cycle from about 65% to about 80%.

17. The method of claim 9, wherein said B-field magnitude is about 0.65 G.

18. The method of claim 9, wherein said frequency is about 10 Hz.

19. The method of claim 9, wherein said cellular samples are damaged cartilage, bone or a combination thereof.

* * * * *