



US009926885B2

(12) **United States Patent**
Gallagher et al.

(10) **Patent No.:** **US 9,926,885 B2**

(45) **Date of Patent:** **Mar. 27, 2018**

(54) **EFFICIENT, LOW PRESSURE RATIO PROPULSOR FOR GAS TURBINE ENGINES**

(56) **References Cited**

(71) Applicant: **United Technologies Corporation**, Farmington, CT (US)

U.S. PATENT DOCUMENTS

(72) Inventors: **Edward J. Gallagher**, West Hartford, CT (US); **Byron R. Monzon**, Cromwell, CT (US)

2,258,792 A 4/1941 New
2,936,655 A 5/1960 Peterson et al.
(Continued)

(73) Assignee: **UNITED TECHNOLOGIES CORPORATION**, Farmington, CT (US)

FOREIGN PATENT DOCUMENTS

EP 0791383 8/1997
EP 1142850 10/2001
(Continued)

(*) Notice: Subject to any disclaimer, the term of this patent is extended or adjusted under 35 U.S.C. 154(b) by 0 days.

OTHER PUBLICATIONS

(21) Appl. No.: **15/709,540**

McMillian, A. (2008) Material development for fan blade containment casing. Abstract. p. 1. Conference on Engineering and Physics: Synergy for Success 2006. Journal of Physics: Conference Series vol. 105. London, UK. Oct. 5, 2006.

(22) Filed: **Sep. 20, 2017**

(Continued)

(65) **Prior Publication Data**

US 2018/0023511 A1 Jan. 25, 2018

Related U.S. Application Data

Primary Examiner — Zelalem Eshete

(63) Continuation of application No. 15/252,689, filed on Aug. 31, 2016, which is a continuation of application (Continued)

(74) Attorney, Agent, or Firm — Carlson, Gaskey & Olds, P.C.

(51) **Int. Cl.**
F02K 3/075 (2006.01)
F02K 3/06 (2006.01)
(Continued)

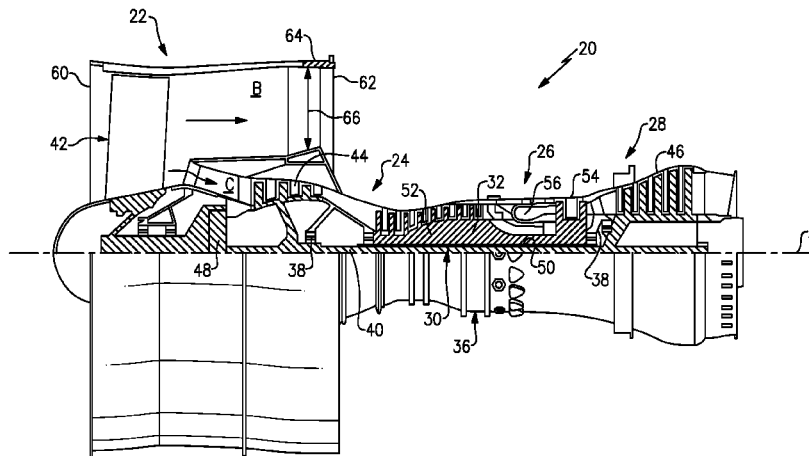
(57) **ABSTRACT**

A gas turbine engine includes a bypass flow passage that has an inlet and defines a bypass ratio in a range of approximately 8.5 to 13.5. A fan is arranged within the bypass flow passage. A first turbine is a 5-stage turbine and is coupled with a first shaft, which is coupled with the fan. A first compressor is coupled with the first shaft and is a 3-stage compressor. A second turbine is coupled with a second shaft and is a 2-stage turbine. The fan includes a row of fan blades that extend from a hub. The row includes a number (N) of the fan blades, a solidity value (R) at tips of the fan blades, and a ratio of N/R that is from 14 to 16.

(52) **U.S. Cl.**
CPC **F02K 3/06** (2013.01); **F01D 17/14** (2013.01); **F02K 1/06** (2013.01); **F05D 2220/327** (2013.01); **F05D 2260/4031** (2013.01)

(58) **Field of Classification Search**
CPC ... F01D 17/14; F02K 3/06; F02K 1/06; F05D 2220/327; F05D 2220/4031
See application file for complete search history.

30 Claims, 2 Drawing Sheets



Related U.S. Application Data

No. 13/176,365, filed on Jul. 5, 2011, now Pat. No. 9,506,422.

- (51) **Int. Cl.**
F02K 1/06 (2006.01)
F01D 17/14 (2006.01)

(56) **References Cited**

U.S. PATENT DOCUMENTS

3,021,731	A	2/1962	Stoeckicht
3,194,487	A	7/1965	Tyler et al.
3,287,906	A	11/1966	McCormick
3,352,178	A	11/1967	Lindgren et al.
3,412,560	A	11/1968	Gaubatz
3,468,473	A	9/1969	Davies et al.
3,747,343	A	7/1973	Rosen
3,754,484	A	8/1973	Roberts
3,820,719	A	6/1974	Clark
3,892,358	A	7/1975	Gisslen
3,932,058	A	1/1976	Harner et al.
3,935,558	A	1/1976	Miller et al.
3,988,889	A	11/1976	Chamay et al.
4,130,872	A	12/1978	Harloff
4,284,174	A	8/1981	Salvana et al.
4,478,551	A	10/1984	Honeycutt, Jr. et al.
4,486,146	A	12/1984	Campion
4,649,114	A	3/1987	Miltenburger et al.
4,696,156	A	9/1987	Burr et al.
4,885,912	A	12/1989	Nakhamkin
4,979,362	A	12/1990	Vershure, Jr.
5,102,379	A	4/1992	Pagluica et al.
5,141,400	A	8/1992	Murphy et al.
5,169,288	A	12/1992	Gliebe et al.
5,317,877	A	6/1994	Stuart
5,433,674	A	7/1995	Sheridan et al.
5,447,411	A	9/1995	Curley et al.
5,466,198	A	11/1995	McKibbin et al.
5,524,847	A	6/1996	Brodell et al.
5,677,060	A	10/1997	Terentjeva et al.
5,769,607	A	6/1998	Neely et al.
5,778,659	A	7/1998	Duesler et al.
5,857,836	A	1/1999	Stickler et al.
5,915,917	A	6/1999	Eveker et al.
5,975,841	A	11/1999	Lindemuth et al.
5,985,470	A	11/1999	Spitsberg et al.
6,004,095	A	12/1999	Waitz et al.
6,195,983	B1	3/2001	Wadia et al.
6,223,616	B1	5/2001	Sheridan
6,315,815	B1	11/2001	Spadaccini et al.
6,318,070	B1	11/2001	Rey et al.
6,382,905	B1	5/2002	Czachor et al.
6,387,456	B1	5/2002	Eaton, Jr. et al.
6,517,341	B1	2/2003	Brun et al.
6,607,165	B1	8/2003	Manteiga et al.
6,709,239	B2	3/2004	Chandraker
6,709,492	B1	3/2004	Spadaccini et al.
6,814,541	B2	11/2004	Evans et al.
7,021,042	B2	4/2006	Law
7,107,756	B2*	9/2006	Rolt F02K 3/06 60/224
7,241,112	B2	7/2007	Dambrine
7,328,580	B2	2/2008	Lee et al.
7,374,403	B2	5/2008	Decker et al.
7,591,754	B2	9/2009	Duong et al.
7,662,059	B2	2/2010	McCune
7,758,306	B2	7/2010	Burton et al.
7,770,377	B2	8/2010	Rolt
7,806,651	B2	10/2010	Kennepohl et al.
7,824,305	B2	11/2010	Duong et al.
7,882,691	B2	2/2011	Lemmers, Jr. et al.
7,926,260	B2	4/2011	Sheridan et al.
7,950,237	B2	5/2011	Grabowski et al.
7,997,868	B1	8/2011	Liang et al.
8,205,432	B2	6/2012	Sheridan

8,667,775	B1	3/2014	Kisska et al.
9,121,412	B2	9/2015	Gallagher et al.
2006/0228206	A1	10/2006	Decker et al.
2008/0003096	A1	1/2008	Kohli et al.
2008/0095633	A1	4/2008	Wilson
2008/0116009	A1	5/2008	Sheridan et al.
2008/0155961	A1	7/2008	Johnson
2008/0206048	A1	8/2008	Coupe et al.
2008/0226454	A1	9/2008	Decker et al.
2008/0317588	A1	12/2008	Grabowski et al.
2009/0056343	A1	3/2009	Suciu et al.
2009/0074565	A1	3/2009	Suciu et al.
2009/0245997	A1	10/2009	Hurwitz et al.
2010/0089019	A1	4/2010	Knight et al.
2010/0105516	A1	4/2010	Sheridan et al.
2010/0148396	A1	6/2010	Xie et al.
2010/0150696	A1	6/2010	Lenk
2010/0162683	A1	7/2010	Grabowski et al.
2010/0212281	A1	8/2010	Sheridan
2010/0218483	A1	9/2010	Smith
2010/0260609	A1	10/2010	Wood et al.
2010/0331139	A1	12/2010	McCune
2011/0020130	A1	1/2011	Murakami
2011/0142670	A1	6/2011	Pilpel
2011/0159797	A1	6/2011	Beltman et al.
2011/0293423	A1	12/2011	Bunker et al.
2012/0124964	A1	5/2012	Hasel et al.

FOREIGN PATENT DOCUMENTS

EP	1712738	10/2006
GB	1516041	6/1978
GB	2041090	9/1980
GB	2426792	12/2006
WO	2007038674	4/2007
WO	2015034630	3/2015
WO	2015047511	4/2015

OTHER PUBLICATIONS

Kurzke, J. (2009). Fundamental differences between conventional and geared turbofans. Proceedings of ASME Turbo Expo: Power for Land, Sea, and Air. 2009, Orlando, Florida. pp. 145-153.

Agarwal, B.D and Broutman, Li. (1990). Analysis and performance of fiber composites, 2nd Edition. John Wiley & Sons, Inc. New York: New York. pp. 1-30, 50-51, 56-58, 60-61, 64-71, 87-9, 324-329, 436-437.

Carney, K., Pereira, M. Revilock, and Matheny, P. (2003). Jet engine fan blade containment using two alternate geometries. 4th European LS-DYNA Users Conference. pp. 1-10.

Brines, G.L. (1990). The turbofan of tomorrow. Mechanical Engineering: The Journal of the American Society of Mechanical Engineers, 108(8), 65-67.

Faghri, A. (1995). Heat pipe and science technology. Washington, D.C.: Taylor & Francis. pp. 1-60.

Hess, C. (1998). Pratt & Whitney develops geared turbofan. *Flug Revue* 43(7). Oct. 1998.

Grady, J.E., Weir, D.S., Lamoureux, M.C., and Martinez, M.M. (2007). Engine noise research in NASA's quiet aircraft technology project. Papers from the International Symposium on Air Breathing Engines (ISABE). 2007.

Griffiths, B. (2005). Composite fan blade containment case. Modem Machine Shop. Retrieved from: <http://www.mmonline.com/articles/composite-fan-blade-containment-case> pp. 1-4.

Hall, C.A. and Crichton, D. (2007). Engine design studies for a silent aircraft. *Journal of Turbomachinery*, 129, 179-487.

Haque, A. and Shamsuzzoha, M., Hussain, F., and Dean, D. (2003). S20-glass/epoxy polymer nanocomposites: Manufacturing, structures, thermal and mechanical properties. *Journal of Composite Materials*, 37 (20), 1821-1837.

Brennan, P.J. and Kroliczek, E.J. (1979). Heat pipe design handbook. Prepared for National Aeronautics and Space Administration by B & K Engineering, Inc. Jun. 1979. pp. 1-348.

Horikoshi, S. and Serpone, N. (2013). Introduction to nanoparticles. *Microwaves in nanoparticle synthesis*. Wiley-VCH Verlag GmbH & Co. KGaA. pp. 1-24.

(56)

References Cited

OTHER PUBLICATIONS

- Kerrebrock, J.L. (1977). Aircraft engines and gas turbines. Cambridge, MA: The MIT Press. p. 11.
- Xie, M. (2008). Intelligent engine systems: Smart case system. NASA/CR-2008-215233. pp. 1-31.
- Knip, Jr., G. (1987). Analysis of an advanced technology subsonic turbofan incorporating revolutionary materials. NASA Technical Memorandum. May 1987. pp. 1-23.
- Willis, W.S. (1979). Quiet clean short-haul experimental engine (QCSEE) final report. NASA/CR-159473 pp. 1-289.
- Kojima, Y., Usuki, A., Kawasumi, M., Okada, A., Fukushima, Y., Kurauchi, T., and Kamigaito, O. (1992). Mechanical properties of nylon 6-clay hybrid. *Journal of Materials Research*, 8(5), 1185-1189.
- Kollar, L.P. and Springer, G.S. (2003). Mechanics of composite structures. Cambridge, UK: Cambridge University Press. p. 465.
- Ramsden, J.M. (Ed). (1978). The new European airliner. *Flight International*, 113(3590). Jan. 7, 1978. pp. 39-43.
- Langston, L. and Faghri, A. Heat pipe turbine vane cooling. Prepared for Advanced Turbine Systems Annual Program Review. Morgantown, West Virginia. Oct. 17-19, 1995. pp. 3-9.
- Oates, G.C. (Ed). (1989). Aircraft propulsion systems and technology and design. Washington, D.C.: American Institute of Aeronautics, Inc. pp. 341-344.
- Lau, K., Gu, C. and Hui, D. (2005). A critical review on nanotube and nanotube/nanoclay related polymer composite materials. *Composites: Part B* 37(2006) 425-436.
- Shorter Oxford English dictionary, 6th Edition. (2007). vol. 2, N-Z. p. 1888.
- Lynwander, P. (1983). Gear drive systems: Design and application. New York, New York: Marcel Dekker, Inc. pp. 145, 355-358.
- Sweetman, B. and Sutton, O. (1998). Pratt & Whitney's surprise leap. *Interavia Business & Technology*, 51621, p. 25.
- Mattingly, J.D. (1996). Elements of gas turbine propulsion. New York, New York: McGraw-Hill, Inc. pp. 8-15.
- Pyrograf-III Carbon Nanofiber. Product guide. Retrieved Dec. 1, 2015 from: http://pyrografproducts.com/Merchant5/merchant.mvc?Screen=cp_nanofiber.
- Nanacor Technical Data for Epoxy Nanocomposites using Nanomer 1.30E Nanoclay. Nnacor, Inc. Oct. 2004.
- Ratna, D. (2009). Handbook of thermoset resins. Shawbury, UK: iSmithers. pp. 187-216.
- Wendus, B.E., Stark, D.F., Holler, R.P., and Funkhouser, M.E. (2003). Follow-on technology requirement study for advanced subsonic transport. NASA/CR-2003-212467. pp. 1-37.
- Silverstein, C.C., Gottschlich, J.M., and Meininger, M. The feasibility of heat pipe turbine vane cooling. Presented at the International Gas Turbine and Aeroengine Congress and Exposition, The Hague, Netherlands. Jun. 13-16, 1994. pp. 1-7.
- Merriam-Webster's collegiate dictionary, 11th Ed. (2009). p. 824.
- Merriam-Webster's collegiate dictionary, 10th Ed. (2001). p. 1125-1126.
- Whitaker, R. (1982). ALF 502: plugging the turbofan gap. *Flight International*, p. 237-241, Jan. 30, 1982.
- Hughes, C. (2010). Geared turbofan technology. NASA Environmentally Responsible Aviation Project. Green Aviation Summit. NASA Ames Research Center. Sep. 8-9, 2010. pp. 1-8.
- Gliebe, P.R. and Janardan, B.A. (2003). Ultra-high bypass engine aeroacoustic study. NASA/CR-2003-21252. GE Aircraft Engines, Cincinnati, Ohio. Oct. 2003. pp. 1-103.
- Moxon, J. How to save fuel in tomorrow's engines. *Flight International*. Jul. 30, 1983. 3873(124). pp. 272-273.
- File History for U.S. Appl. No. 12/131,876.
- Cusick, M. (1981). Avco Lycoming's ALF 502 high bypass fan engine. Society of Automotive Engineers, inc. Business Aircraft Meeting & Exposition. Wichita, Kansas. Apr. 7-10, 1981. pp. 1-9.
- Fledderjohn, K.R. (1983). The TFE731-5: Evolution of a decade of business jet service. SAE Technical Paper Series. Business Aircraft Meeting & Exposition. Wichita, Kansas. Apr. 12-15, 1983. pp. 1-12.
- Dickey, T.A. and Dobak, E.R. (1972). The evolution and development status of ALF 502 turbofan engine. National Aerospace Engineering and Manufacturing Meeting. San Diego, California. Oct. 2-5, 1972. pp. 1-12.
- Gunston, B. (Ed.) (2000). Jane's aero-engines, Issue seven. Coulsdon, Surrey, UK: Jane's Information Group Limited. pp. 510-512.
- Ivchenko-Progress D-436. Jane's Aero-engines, Aero-engines—Turbofan. Feb. 8, 2012.
- Ivchenko-Progress AI-727M. Jane's Aero-engines, Aero-engines—Turbofan. Nov. 27, 2011.
- Ivchenko-Progress D-727. Jane's Aero-engines, Aero-engines—Turbofan. Feb. 7, 2007.
- Turbomeca Aubisque. Jane's Aero-engines, Aero-engines—Turbofan. Nov. 2, 2009.
- Aviadvigatel D-110. Jane's Aero-engines, Aero-engines—Turbofan. Jun. 1, 2010.
- Rolls-Royce M45H. Jane's Aero-engines, Aero-engines—Turbofan. Feb. 24, 2010.
- Honeywell LF502. Jane's Aero-engines, Aero-engines—Turbofan. Feb. 9, 2012.
- Honeywell LF507. Jane's Aero-engines, Aero-engines—Turbofan. Feb. 9, 2012.
- Honeywell TFE731. Jane's Aero-engines, Aero-engines—Turbofan. Jul. 18, 2012.
- NASA Conference Publication. Quiet, powered-lift propulsion. Cleveland, Ohio. Nov. 14-15, 1978. pp. 1-420.
- "Civil Turbojet/Turbofan Specifications", Jet Engine Specification Database (Apr. 3, 2005).
- Kandebo, S.W. (1993). Geared-turbofan engine design targets cost, complexity. *Aviation Week & Space Technology*, 148(8). Start p. 32.
- Hendricks, E.S. and Tong, M.T. (2012). Performance and weight estimates for an advanced open rotor engine. NASA/TM-2012-217710. pp. 1-13.
- Guynn, M. D., Berton, J.J., Fisher, K. L., Haller, W.J., Tong, M. T., and Thurman, D.R. (2011). Refined exploration of turbofan design options for an advanced single-aisle transport. NASA/TM-2011-216883. pp. 1-27.
- Zalud, T. (1998). Gears put a new spin on turbofan performance. *Machine Design*, 70(20), p. 104.
- Kurzke, J. (2008). Preliminary Design, Aero-engine design: From state of the art turbofans towards innovative architectures. pp. 1-72.
- Amboni, G. and Xu, L. (2009). Fan root aerodynamics for large bypass gas turbine engines: Influence on the engine performance and 3D design. Proceedings of ASME Turbo Expo 2009: Power for Land, Sea and Air. Jun. 8-12, 2009, Orlando, Florida, USA. pp. 1-12.
- Han, J., Dutta, S., and Ekkad, S.V. (2000). Gas turbine heat transfer and cooling technology. New York, NY: Taylor & Francis. pp. 1-25, 129-157, and 160-249.
- Mattingly, J.D. (1996). Elements of gas turbine propulsion. New York, New York: McGraw-Hill, Inc. pp. 1-18, 60-62, 85-87, 95-104, 121-123, 223-234, 242-245, 278-280, 303-309, 323-326, 462-479, 517-520, 563-565, 673-675, 682-685, 697-699, 703-705, 802-805, 862-864, and 923-925.
- Declaration of Reza Abhari, Ph.D. In re U.S. Pat. No. 8,844,265. Executed Jun. 28, 2016. pp. 1-91.
- Declaration of John Eaton, Ph.D. In re U.S. Appl. No. 8,869,568. Executed Mar. 28, 2016. pp. 1-87.
- Declaration of Reza Abhari. In re U.S. Pat. No. 8,695,920. Executed Nov. 30. pp. 1-67.
- Declaration of Reza Abhari. In re U.S. Pat. No. 8,448,895. Executed Nov. 28. pp. 1-81.
- Declaration of Reza Abhari. In re U.S. Appl. No. 8,695,920, claims 1-4, 7-14, 17 and 19. Executed Nov. 29. pp. 1-102.
- Declaration of Dr. Magdy Attia. In re U.S. Appl. No. 8,313,280. Executed Oct. 21, 2016. pp. 1-88.
- Lord, W.K., MacMartin, D.G., and Tillman, T.G. (2000). Flow control opportunities in gas turbine engines. American Institute of Aeronautics and Astronautics. pp. 1-15.
- Daly, M. Ed. (2010). Jane's Aero-Engine. Issue Twenty-seven. Mar. 2010. p. 633-636.

(56)

References Cited

OTHER PUBLICATIONS

- Roux, E. (2007). Turbofan and turbojet engines database handbook. Editions Elodie Roux. Blagnac: France. pp. 1-595.
- Wilfert, G. (2008). Geared fan. Aero-Engine Design: From State of the Art Turbofans Towards Innovative Architectures, von Karman Institute for Fluid Dynamics, Belgium, Mar. 3-7, 2008. pp. 1-26.
- Declaration of Dr. Magdy Attia. In re U.S. Appl. No. 8,517,668. Executed Dec. 8, 2016. pp. 1-81.
- Cramoisi, G. Ed. (2012). Death in the Potomac: The crash of Air Florida Flight 90. Air Crash Investigations. Accident Report NTSB/AAR-82-8. p. 45-47.
- Norton, M. and Karczub, D. (2003). Fundamentals of noise and vibration analysis for engineers. Press Syndicate of the University of Cambridge. New York: New York. p. 524.
- U.S. Department of Transportation: Federal Aviation Administration Advisory Circular. Runway overrun prevention. Dated: Nov. 6, 2007. p. 1-8 and Appendix 1 p. 1-15, Appendix 2 p. 1-6, Appendix 3 p. 1-3, and Appendix 4 p. 1-5.
- U.S. Department of Transportation: Federal Aviation Administration Advisory Circular. Standard operating procedures for flight deck crewmembers. Dated: Feb. 27, 2003. p. 1-6 and Appendices.
- Vasudevan, A.K. and Petrovic, J.J. (1992). A comparative overview of molybdenum disilicide composites. *Materials Science and Engineering*, A155, 1992. pp. 1-17.
- Clarke, D.R. and Levi, C.G. (2003). Materials design for the next generation thermal barrier coatings. *Annual. Rev. Mater. Res.* vol. 33. 2003. pp. 383-417.
- Lee, K.N. (2000). Current status of environmental barrier coatings for Si-Based ceramics. *Surface and Coatings Technology* 133-134, 2000. pp. 1-7.
- Bornstein, N. (1993). Oxidation of advanced intermetallic compounds. *Journal de Physique IV*, 1993, 03 (C9), pp. C9-367-C9-373.
- Krenkel, W., Naslain, R., and Schneider, H. Eds. (2001). High temperature ceramic matrix composites pp. 224-229. Weinheim, DE: Wiley-VCH Verlag GmbH.
- Gibala, R., Ghosh, A.K., Van Aken, D.C., Srolovitz, D.J., Basu, A., Chang, H., . . . Yang, W. (1992). Mechanical behavior and interface design of MoSi₂-based alloys and composites. *Materials Science and Engineering*, A155, 1992. pp. 147-158.
- Shah, D.M. (1992). MoSi₂ and other silicides as high temperature structural materials. *Superalloys 1992. The Minerals, Metals, & Materials Society*. pp. 409-422.
- Zhao, J.C. and Westbrook, J.H. (2003). Ultrahigh-temperature materials for jet engines. *MRS Bulletin*. vol. 28 (9). Sep. 2003. pp. 622-630.
- Tsirlin, M., Pronin, Y.E., Florina, E.K., Mukhametov, S. Kh., Khatsernov, M.A., Yun, H.M., . . . Kroke, E. (2001). Experimental investigation of multifunctional interphase coatings on SiC fibers for non-oxide high temperature resistant CMGs. *High Temperature Ceramic Matrix Composites. 4th Int'l Conf. on High Temp. Ceramic Matrix Composites*. Oct. 1-3, 2001. pp. 149-156.
- Jacobson, N.S. (1993). Corrosion of silicon-based ceramics in combustion environments. *J. Am. Ceram. Soc.* 76 (1). pp. 3-28.
- Jorgensen, P.J., Wadsworth, M.E., and Cutler, I.B. (1961). Effects of water vapor on oxidation of silicon carbide. *J. Am. Ceram. Soc.* 44(6). pp. 248-261.
- Xu, Y., Cheng, L., Zhang, L., Ying, H., and Zhou, W. (1999). Oxidation behavior and mechanical properties of C/SiC composites with Si—MoSi₂ oxidation protection coating. *J. of Mat. Sci.* vol. 34. 1999. pp. 6009-6014.
- Sundaram, S.K., Hsu, J-Y., Speyer, R.F. (1995). Molten glass corrosion resistance of immersed combustion-heating tube materials in e-glass. *J. Am. Ceram. Soc.* 78(7). pp. 1940-1946.
- Jeng, Y.-L., Lavernia, E.J. (1994). Processing of molybdenum disilicide. *J. of Mat. Sci.* vol. 29. 1994. pp. 2557-2571.
- Suzuki, Y., Morgan, P.E.D., and Niihara, K. (1998). Improvement in mechanical properties of powder-processed MoSi₂ by the addition of Sc₂O₃ and Y₂O₃. *J. Am. Ceram. Soc.* 81(12). pp. 3141-3149.
- Webster, J.D., Westwood, M.E., Hayes, F.H., Day, R.J., Taylor, R., Duran, A., . . . Vogel, W.D. (1998). Oxidation protection coatings for C/SiC based on yttrium silicate. *Journal of European Ceramic Society* vol. 18. 1998. pp. 2345-2350.
- Petrovic, J.J., Castro, R.G., Vaidya, R.U., Peters, M.I., Mendoza, D., Hoover, R.C., and Gallegos, D. E. (2001). Molybdenum disilicide materials for glass melting sensor sheaths. *Ceramic Engineering and Science Proceedings*. vol. 22(3). 2001. pp. 59-64.
- Kahn, H., Tayebi, N., Ballarini, R., Mullen, R.L., Heuer, A.H. (2000). Fracture toughness of polysilicon MEMS devices. *Sensors and Actuators* vol. 82. 2000. pp. 274-280.
- Viuhlstein, C.L., Stach, E.A., and Ritchie, R.O. (2002). A reaction-layer mechanism for the delayed failure of micron-scale polycrystalline silicon structural films subjected to high-cycle fatigue loading. *Ada Materialia* vol. 50. 2002. pp. 3579-3595.
- Sundaram, S.K., Hsu, J-Y., Speyer, R.F. (1994). Molten glass corrosion resistance of immersed combustion heating tube materials in soda-lime-silicate glass. *J. Am. Ceram. Soc.* 77(6). pp. 1613-1623.
- Leckie, F.A. and Dal Bello, D.J. (2009). Strength and stiffness of engineering systems. *Mechanical Engineering Series*. Springer. pp. 1-3.
- El-Sayad, A.F. (2008). Aircraft propulsion and gas turbine engines. Boca Raton, FL: CRC Press. pp. 215-219 and 855-860.
- Bunker, R.S. (2005). A review of shaped hole turbine film-cooling technology. *Journal of Heat Transfer* vol. 127. Apr. 2005. pp. 441-453.
- Davies, D. and Miller, D.C. (1971). A variable pitch fan for an ultra quiet demonstrator engine. 1976 Spring convention: Seeds for Success in Civil Aircraft Design in the Next Two Decades. pp. 1-18.
- Middleton, P. (1971). 614: VFW's jet feederliner. *Flight International*, Nov. 4, 1971. p. 725, 729-732.
- Schaefer, J.W., Sagerser, D.R., and Stokolich, E.G. (1977). Dynamics of high-bypass-engine thrust reversal using a variable-pitch fan. Technical Report prepare for NASA. NASA-TM-X-3524. May 1, 1977. pp. 1-33.
- Savelle, S.A. and Garrard, G.D. (1996). Application of transient and dynamic simulations to the U.S. Army T55L-712 helicopter engine. *The American Society of Mechanical Engineers*. Presented Jun. 10-13, 1996. pp. 1-8.
- Drago, R.J. and Margasahayam, R.N. (1987). Stress analysis of planet gears with integral bearings; 3D finite-element model development and test validation. 1987 MSC NASTRAN World Users Conference. Los Angeles, CA. Mar. 1987. pp. 1-14.
- Baker, R.W. (2000). Membrane technology and applications. New York, NY: McGraw-Hill. pp. 87-153.
- Cheryan, M. (1998). Ultrafiltration and microfiltration handbook. Lancaster, PA: Technomic Publishing Company, Inc. pp. 171-236.
- Seader, J.D. and Henley, E.J. (1998). Separation process principles. New York, NY: John Wiley & Sons, Inc. pp. 722-6 and 764-71.
- Spadaccini, L.J., and Huang, H. (2002). On-line fuel deoxygenation for coke suppression. *ASME*, Jun. 2002. pp. 1-7.
- Darrah, S. (1987). Jet fuel deoxygenation. Interim Report for Period Mar. 1987-Jul. 1988. pp. 1-22.
- Bucknell, R.L. (1973). Influence of fuels and lubricants on turbine engine design and performance, fuel and lubricant analyses. Final Technical Report, Mar. 1971-Mar. 1973. pp. 1-252.
- Hazlett, R.N. (1991). Thermal oxidation stability of aviation turbine fuels. Philadelphia, PA: ASTM. pp. 1-163.
- Taylor, W.F. (1974). Deposit formation from deoxygenated hydrocarbons. I. General features. *Ind. Eng. Chem., Prod. Res. Develop.*, vol. 13(2). 1974. pp. 133-138.
- Taylor, W.F. (1974). Deposit formation from deoxygenated hydrocarbons. II. Effect of trace sulfur compounds. *Ind. Eng. Chem., Prod. Res. Dev.*, vol. 15(1). 1974. pp. 64-8.
- Taylor, W.F. and Frankenfeld, J.W. (1978). Deposit formation from deoxygenated hydrocarbons. 3. Effects of trace nitrogen and oxygen compounds. *Ind. Eng. Chem., Prod. Res. Dev.*, vol. 17(1). 1978. pp. 86-90.
- Frankenfeld, J.W. and Taylor, W.F. (1980). Deposit formation from deoxygenated hydrocarbons. 4. Studies in pure compound systems. *Ind. Eng. Chem., Prod. Res. Dev.*, vol. 19(1). 1978. pp. 65-70.
- Hemighaus, G., Boval, T., Bacha, J., Barnes, F., Franklin, M., Gibbs, L., . . . Morris, J. (2007). Aviation fuels: Technical review. Chevron

(56) **References Cited**

OTHER PUBLICATIONS

- Products Company. pp. 1-94. Retrieved from: https://www.cgabusinessdesk.com/document/aviation_tech_review.pdf.
- Spadaccini, L.J., Sobel, D.R., and Huang, H. (2001). Deposit formation and mitigation in aircraft fuels. *Journal of Eng. For Gas Turbine and Power*, vol. 123. Oct. 2001. pp. 741-746.
- Edwards, T. and Zabarnick, S. (1993). Supercritical fuel deposition mechanisms. *Ind. Eng. Chem. Res.* vol. 32. 1993. pp. 3117-3122.
- Huang, H., Sobel, D.R., and Spadaccini, L.J. (2002). Endothermic heat-sink of hydrocarbon fuels for scramjet cooling. *AIAA/ASME/SAE/ASEE*, Jul. 2002. pp. 1-7.
- Bessarabov, D.G., Jacobs, E.P., Sanderson, R.D., and Beckman, I.N. (1996). Use of nonporous polymeric flat-sheet gas-separation membranes in a membrane-liquid contactor: experimental studies. *Journal of Membrane Sciences*, vol. 113. 1996. pp. 275-284.
- Matsumoto, T., Toshiro, U., Kishida, A., Tsutomu, F., Maruyama, I., and Akashi, M. (1996). Novel functional polymers: Poly(dimethylsiloxane)-polyamide multiblock copolymer. VII. Oxygen permeability of aramid-silicone membranes in a gas-membrane-liquid system. *Journal of Applied Polymer Science*, vol. 64(6). May 9, 1997. pp. 1153-1159.
- Technical Data. Teflon. WS Hampshire Inc. Retrieved from: http://catalog.wshampshire.com/Asset/psg_teflon_ptfe.pdf.
- Anderson, N.E., Loewenthal, S.H., and Black, J.D. (1984). An analytical method to predict efficiency of aircraft gearboxes. NASA Technical Memorandum prepared for the Twentieth Joint Propulsion Conference. Cincinnati, OH. Jun. 11-13, 1984. pp. 1-25.
- Edkins, D.P., Hirschkrone, R., and Lee, R. (1972). TF34 turbofan quiet engine study. Final Report prepared for NASA. NASA-CR-120914. Jan. 1, 1972. pp. 1-99.
- Waters, M.H. and Schairer, E.T. (1977). Analysis of turbofan propulsion system weight and dimensions. NASA Technical Memorandum. Jan. 1977. pp. 1-65.
- Meyer, A.G. (1988). Transmission development of TEXTRON Lycoming's geared fan engine. Technical Paper. Oct. 1988. pp. 1-12.
- Dudley, D.W., Ed. (1962). *Gear handbook*. New York, NY: McGraw-Hill. pp. 14-17 (TOC, Preface, and Index).
- Hughes, C. (2002). Aerodynamic performance of scale-model turbofan outlet guide vanes designed for low noise. Prepared for the 40th Aerospace Sciences Meeting and Exhibit. Reno, NV. NASA/TM-2001-211352. Jan. 14-17, 2002. pp. 1-38.
- Kaplan, B., Nicke, E., Voss, C. (2006). Design of a highly efficient low-noise fan for ultra-high bypass engines. Proceedings of GT2006 for ASME Turbo Expo 2006: Power for Land, Sea and Air. Barcelona, SP. May 8-11, 2006. pp. 1-10.
- Gates, D. Bombardier flies at higher market. *Seattle Times*. Jul. 13, 2008. pp. C6.
- Decker, S. and Clough, R. (2016). GE wins shot at voiding pratt patent in jet-engine clash. *Bloomberg Technology*. Retrieved from: <https://www.bloomberg.com/news/articles/2016-06-30/ge-wins-shot-to-invalidate-pratt-airplane-engine-patent-in-u-s>.
- Trembley, Jr., H.F. (1977). Determination of effects of ambient conditions on aircraft engine emissions. Alf 502 aombustor rig testing and engine verification test. Prepared for Environmental Protection Agency. Sep. 1977. pp. 1-256.
- Lewicki, D.G., Black, J.D., Savage, M., and Coy, J.J. (1985). Fatigue life analysis of a turboprop reduction gearbox. NASA Technical Memorandum. Prepared for the Design Technical Conference (ASME). Sep. 11-13, 1985. pp. 1-26.
- McCune, M.E. (1993). Initial test results of 40,000 horsepower fan drive gear system for advanced ducted propulsion systems. AIAA 29th Joint Conference and Exhibit. Jun. 28-30, 1993. pp. 1-10.
- Wright, G.H. and Russell, J.G. (1990). The M.455D-02 variable pitch geared fan engine demonstrator test and evaluation experience. *Aeronautical Journal*, vol. 84(836). Sep. 1980. pp. 268-277.
- Drago, R.J. (1974). Heavy-lift helicopter brings up drive ideas. *Power Transmission Design*. Mar. 1987. pp. 1-15.
- Krantz, T.L. (1990). Experimental and analytical evaluation of efficiency of helicopter planetary stage. NASA Technical Paper. Nov. 1990. pp. 1-19.
- Heingartner, P., MBA, D., Brown, D. (2003). Determining power losses in the helical gear mesh; Case Study. ASME 2003 Design Engineering Technical Conferences. Chicago, IL. Sep. 2-6, 2003. pp. 1-7.
- Thulin, R.D., Howe, D.C., and Singer, I.D. (1982). Energy efficient engine: High pressure turbine detailed design report. Prepared for NASA. NASA CR-165608. Received Aug. 9, 1984. pp. 1-178.
- Petition for Inter Partes Review of U.S. Pat. No. 9,121,412. *General Electric Company, Petitioner, v. United Technologies Corporation, Patent Owner*. Filed Apr. 25, 2016.
- Declaration of Reza Abhari, Ph.D. In re U.S. Pat. No. 9,121,412. Executed Apr. 23, 2016. pp. 1-71.
- Gray, D.E. et al. (1978). Energy efficient engine preliminary design and integration study. United Technologies Corporation; Pratt & Whitney Aircraft Group. Prepared for NASA. Nov. 1, 1978. pp. 1-366.
- Meier, N. (2005). Civil Turbojet/Turbofan Specifications. Retrieved from <http://www.jet-engine.net/civtfspec.html>.
- Decision for Inter Partes Review of U.S. Pat. No. 9,121,412. Claims 1, 2, 4, 5, 7, 8, and 11. *General Electric Company, Petitioner v. United Technologies Corporation, Patent Owner*. Entered date of Oct. 27, 2016.
- Munt, R. (1981). Aircraft technology assessment: Progress in low emissions engine. Technical Report. May 1981. pp. 1-171.
- Avco Lycoming Divison. ALF 502L Maintenance Manual. Apr. 1981. pp. 1-118.
- Type Certificate Data Sheet No. E6NE. Department of Transportation Federal Aviation Administration. Jun. 7, 2002. pp. 1-10.
- Honeywell LF502. *Jane's Aero-engines, Aero-engines—Turbofan*. Aug. 17, 2016.
- Rauch, D. (1972). Design study of an air pump and integral lift engine ALF-504 using the Lycoming 502 core. Prepare for NASA. Jul. 1972. pp. 1-182.
- Dassault Falcon 900EX Easy Systems Summary. Retrieved from: <http://www.smartcockpit.com/docs/F900EX-Engines.pdf> pp. 1-31.
- Honeywell TFE731 Pilot Tips. pp. 1-143.
- Honeywell TFE731-5AR to -5BR Engine Conversion Program. Sep. 2005. pp. 1-4.
- Garret TFE731 Turbofan Engine (CAT C). Chapter 79: Lubrication System. TTFE731 Issue 2. 2010. pp. 1-24.
- Marsh, G. (2012). Aero engines lose weight thanks to composites. *Reinforced Plastics*. 56(6). Nov. 1, 2012. pp. 32-35.
- European Search Report for European Patent Application No. 16166928 completed Sep. 7, 2016.
- European Search Report for European Patent Application No. 12174431 completed Sep. 8, 2016.
- Thompson, L. (2016). Gamechanger: How Pratt & Whitney transformed itself to lead a revolution in jet propulsion. *Forbes*. Retrieved Apr. 28, 2016 from: <http://www.forbes.com/sites/lorenthompson/2016/01/21/gamechanger-how-pratt-whitney-transformed-itself-to-lead-a-revolution-in-jet-propulsion/print/>.
- Grose, T.K. (2013). Reshaping flight for fuel efficiency: Five technologies on the runway. *National Geographic*. Retrieved Mar. 16, 2016 from: <http://news.nationalgeographic.com/news/energy/2013/041130423-reshaping-flight-for-fuel-efficiency.html>.
- Krauskopf, L. & Shumaker, L. (2014). GE exec says avoided geared design in jet engine battle with Pratt Reuters. Sep. 15, 2014. <http://www.reuters.com/article/us-general-electric-united-tech-engine-idUSKBN0HA2H620140915>.
- Tsang, D. (2011). Special report: The engine battle heats up (Update 1). *Aspire Aviation*. Retrieved Apr. 3, 2016 from: <http://www.aspireaviation.com/2011/05/10/pw-purepower-engine-vs-cfm-leap-x/>.
- Dixon, S.L. (1998). *Fluid mechanics, thermodynamics of turbomachinery*. Oxford: Elsevier Butterworth-Heinemann. pp. 94-144.
- Epstein, A.H. (2014). Aeropropulsion for commercial aviation in the twenty-first century and research directions seeded. *AiAA Journal* 52(5). May 2014. pp. 901-911.

(56)

References Cited

OTHER PUBLICATIONS

- Viattingly, J.D. (1996). Elements of gas turbine propulsion. New York, New York: McGraw-Hill, Inc. pp. 299-305.
- Deposition Transcript of Reza Abhari, Ph.D. *General Electric Company, Petitions vs. United Technologies Corporation, Patent Owner*. IPR2016-00952. pp. 1-224.
- Pratt & Whitney (2014). Evaluation of ARA catalytic hydrothermolysis (CH) fuel: Continuous lower energy, emissions and noise (CLEEN) program. FR-27652-2 Rev. 1. Apr. 30, 2014. pp. 1-17.
- Declaration of Dr. K. Mathioudakis. In re U.S. Pat. No. 9,121,412. Executed Jan. 27, 2017. pp. 1-65.
- Benzakein, M.J. (2001). Propulsion strategy for the 21st century—A vision into the future. pp. 1-9.
- Mattingly, J.D. (2006). Elements of propulsion gas turbines and rockets. . New York, New York: AIAA Education Series. p. 419.
- Horlock, J.H. (1958). Axial flow compressors: Fluid mechanics and thermodynamics. London: Butterworths Scientific Publications. pp. 29, 70.
- NASA (1965). Aerodynamic design of axial-flow compressors. pp. 1-505.
- Flack, R. (2005). Fundamentals of jet propulsion with applications. New York: Cambridge University Press. p. 281.
- Guynn, M.D., Berton, J.J., Fisher, K., Haller, W.J., Tong, M.T. & Thurman, D.R. (2009). Analysis of turbofan design options for an advanced sing-aisle transport aircraft. AIAA 2009-6942. Sep. 21-23, 2009. p. 1-13.
- Xu, L. & Gronstedt, T. (2010). Design analysis of an intercooled turbofan engine. Journal of Engineering for Gas Turbine Engines and Power vol. 132. Nov. 2010. pp. 114503-1-114503-4.
- Hill, P.G. & Peterson, C.R. (2010). Mechanics and thermodynamics of propulsion, 2nd Edition. New Delhi, India: Dorling Kindersley. p. 225-6.
- Guynn, M.D., Berton, J.J. & Haller, W.J. (2013). Advanced single-aisle transport propulsion design options revisited. AIAA 2013-4330. Aug. 12-14, 2013. p. 1-17.
- Patent Owner's Response. *General Electric Company, Petition, v. United Technologies Corporation, Patent Owner*. U.S. Pat. No. 9,121,412. IPR2016-00952. Filed Jan. 27, 2017. p. 1-75.
- Coy, Peter. The little gear that could reshape the jet engine: A simple idea's almost 30-year, \$10 billion journey oto the aircraft mainstream. Bloomberg Business. Oct. 15, 2015. p. 1-4.
- Read, B. (2014). Powerplant revolution. AeroSpace. May 2014. pp. 28-31.
- Warwick, G. (2007). Civil engines: Pratt & Whitney gears up for the future with GTF. Flight International, Nov. 2007. Retrieved Jun. 14, 2016 from: <https://www.flightglobal.com/news/articles/civil-engines-pratt-amp-whitney-gears-up-for-the-future-with-219989/>.

* cited by examiner

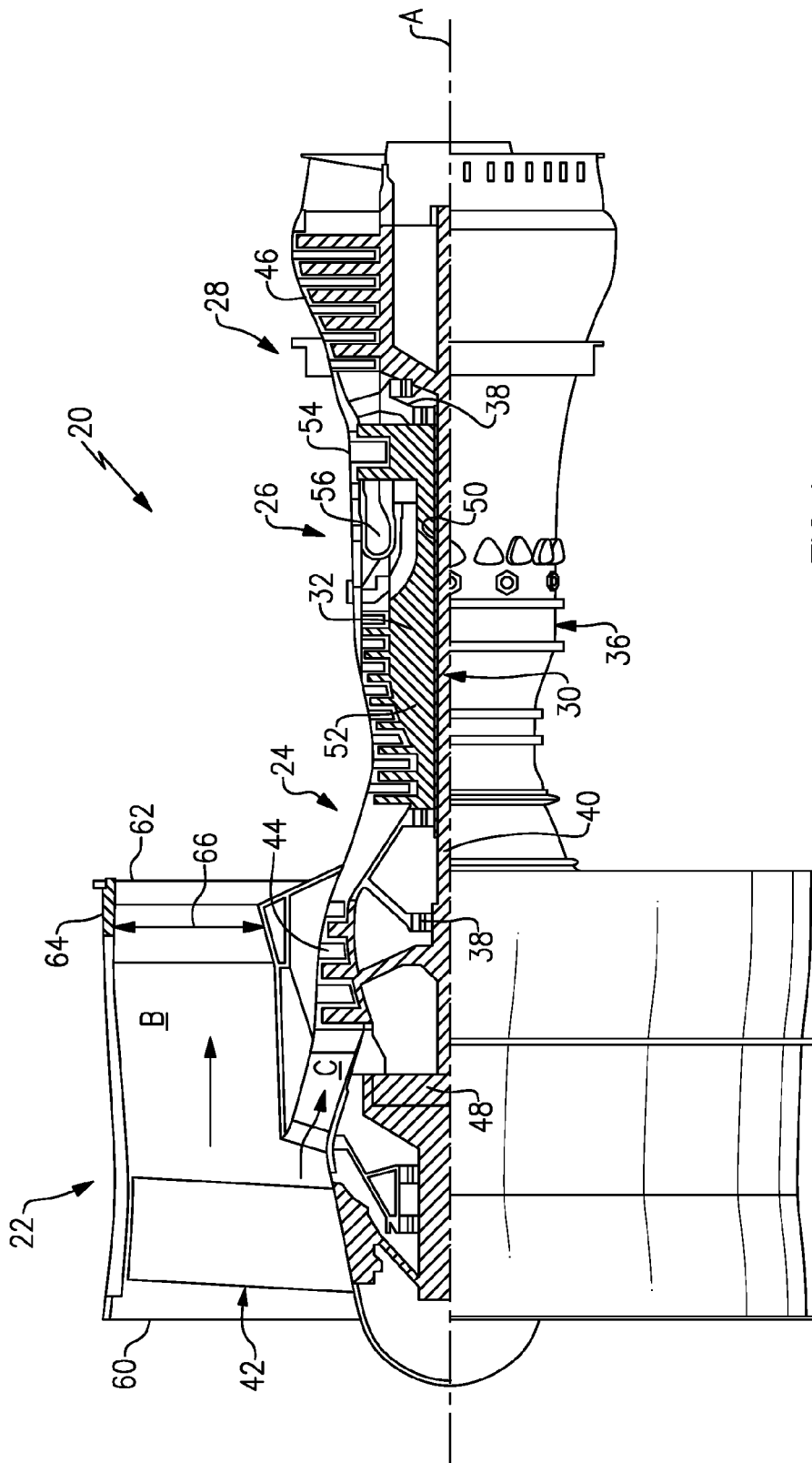


FIG. 1

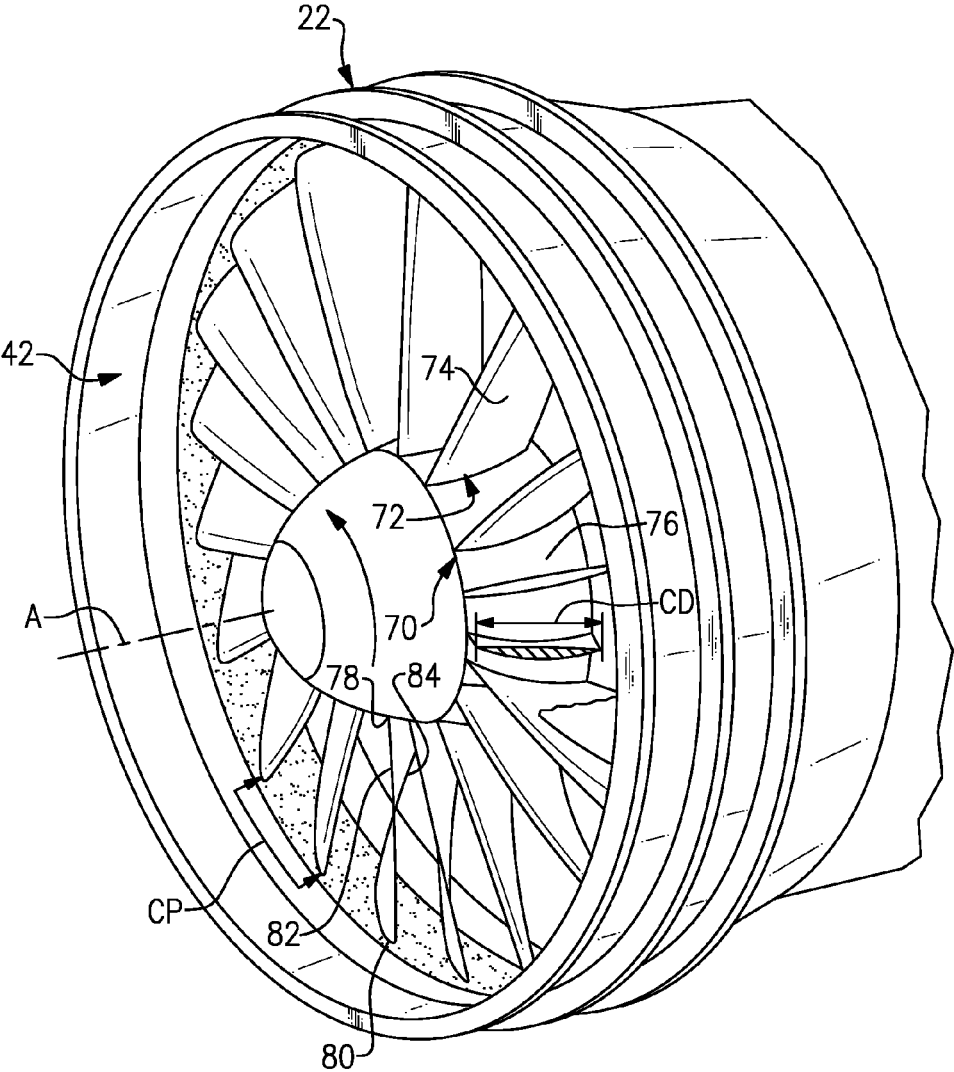


FIG.2

1

EFFICIENT, LOW PRESSURE RATIO PROPULSOR FOR GAS TURBINE ENGINES

CROSS REFERENCE TO RELATED APPLICATIONS

The present disclosure is a continuation of U.S. application Ser. No. 15/252,689, filed August 31, 2016, which is a continuation of U.S. application Ser. No. 13/176,365, filed July 5, 2011.

STATEMENT REGARDING FEDERALLY SPONSORED RESEARCH OR DEVELOPMENT

This invention was made with government support under contract number NAS3-01138 awarded by NASA. The government has certain rights in the invention.

BACKGROUND

This disclosure relates to gas turbine engines and, more particularly, to an engine having a geared turbo fan architecture that is designed to efficiently operate with a high bypass ratio and a low pressure ratio.

The propulsive efficiency of a gas turbine engine depends on many different factors, such as the design of the engine and the resulting performance debits on the fan that propels the engine. As an example, the fan rotates at a high rate of speed such that air passes over the blades at transonic or supersonic speeds. The fast-moving air creates flow discontinuities or shocks that result in irreversible propulsive losses. Additionally, physical interaction between the fan and the air causes downstream turbulence and further losses. Although some basic principles behind such losses are understood, identifying and changing appropriate design factors to reduce such losses for a given engine architecture has proven to be a complex and elusive task.

SUMMARY

An exemplary gas turbine engine includes a spool, a turbine coupled to drive the spool, and a propulsor that is coupled to be driven by the turbine through the spool. A gear assembly is coupled between the propulsor and the spool such that rotation of the turbine drives the propulsor at a different speed than the spool. The propulsor includes a hub and a row of propulsor blades that extend from the hub. The row includes no more than 20 of the propulsor blades.

In another aspect, a gas turbine engine includes a core flow passage and a bypass flow passage. A propulsor is arranged at an inlet of the bypass flow passage and core flow passage. The propulsor includes a hub and a row of propulsor blades that extend from the hub. The row includes no more than 20 of the propulsor blades and the bypass flow passage has a design pressure ratio of approximately 1.3-1.55 with regard to an inlet pressure and an outlet pressure of the bypass flow passage.

An exemplary propulsor for use in a gas turbine engine includes a rotor having a row of propulsor blades that extends radially outwardly from a hub. Each of the propulsor blades extends radially between a root and a tip and in a chord direction between a leading edge and a trailing edge to define a chord dimension at the tip of each propulsor blade. The row of propulsor blades defines a circumferential pitch with regard to the tips. The row of propulsor blades has a solidity value defined as the chord dimension divided by the circumferential pitch. The row also includes a number of

2

the propulsor blades that is no greater than 20 such that a ratio of the number of propulsor blades to the solidity value is from 9 to 20.

BRIEF DESCRIPTION OF THE DRAWINGS

The various features and advantages of the disclosed examples will become apparent to those skilled in the art from the following detailed description. The drawings that accompany the detailed description can be briefly described as follows.

FIG. 1 is a schematic cross-section of a gas turbine engine.

FIG. 2 is a perspective view of a fan section of the engine of FIG. 1.

DETAILED DESCRIPTION OF THE PREFERRED EMBODIMENT

FIG. 1 schematically illustrates a gas turbine engine 20. The gas turbine engine 20 may be a two-spool turbofan that generally incorporates a fan section 22, a compressor section 24, a combustor section 26 and a turbine section 28. Alternative engine architectures may include a single-spool design, a three-spool design, or an open rotor design, among other systems or features.

The fan section 22 drives air along a bypass flow passage B while the compressor section 24 drives air along a core flow passage C for compression and communication into the combustor section 26. Although depicted as a turbofan gas turbine engine, it is to be understood that the concepts described herein are not limited to use with turbofans and the teachings may be applied to other types of gas turbine engines.

The engine 20 includes a low speed spool 30 and high speed spool 32 mounted for rotation about an engine central longitudinal axis A relative to an engine static structure 36 via several bearing systems 38. The low speed spool 30 generally includes an inner shaft 40 that is coupled with a propulsor 42, a low pressure compressor 44 and a low pressure turbine 46. The low pressure turbine 46 drives the propulsor 42 through the inner shaft 40 and a gear assembly 48, which allows the low speed spool 30 to drive the propulsor 42 at a different (e.g. lower) angular speed.

The high speed spool 32 includes an outer shaft 50 that is coupled with a high pressure compressor 52 and a high pressure turbine 54. A combustor 56 is arranged between the high pressure compressor 52 and the high pressure turbine 54. The inner shaft 40 and the outer shaft 50 are concentric and rotate about the engine central longitudinal axis A, which is collinear with their longitudinal axes.

A core airflow in core flow passage C is compressed by the low pressure compressor 44 then the high pressure compressor 52, mixed with the fuel in the combustor 56, and then expanded over the high pressure turbine 54 and low pressure turbine 46. The turbines 54, 46 rotationally drive the respective low speed spool 30 and high speed spool 32 in response to the expansion.

As shown, the propulsor 42 is arranged at an inlet 60 of the bypass flow passage B and core flow passage C. Air flow through the bypass flow passage B exits the engine 20 through an outlet 62 or nozzle. For a given design of the propulsor 42, the inlet 60 and the outlet 62 of the engine 20 define a design pressure ratio with regard to an inlet pressure at the inlet 60 and an outlet pressure at the outlet 62 of the bypass flow passage B. As an example, the design pressure ratio may be determined based upon the stagnation inlet

pressure and the stagnation outlet pressure at a design rotational speed of the engine 20. In that regard, the engine 20 may optionally include a variable area nozzle 64 within the bypass flow passage B. The variable area nozzle 64 is operative to change a cross-sectional area 66 of the outlet 62 to thereby control the pressure ratio via changing pressure within the bypass flow passage B. The design pressure ratio may be defined with the variable area nozzle 64 fully open or fully closed.

Referring to FIG. 2, the propulsor 42, which in this example is a fan, includes a rotor 70 having a row 72 of propulsor blades 74 that extend circumferentially around a hub 76. Each of the propulsor blades 74 extends radially outwardly from the hub 76 between a root 78 and a tip 80 and in a chord direction (axially and circumferentially) between a leading edge 82 and a trailing edge 84. A chord dimension (CD) is a length between the leading edge 82 and the trailing edge 84 at the tip of each propulsor blade 74. The row 72 of propulsor blades 74 also defines a circumferential pitch (CP) that is equivalent to the arc distance between the tips 80 of neighboring propulsor blades 74.

As will be described, the example propulsor 42 includes a number (N) of the propulsor blades 74 and a geometry that, in combination with the architecture of the engine 20, provides enhanced propulsive efficiency by reducing performance debits of the propulsor 42.

In the illustrated example, the number N of propulsor blades in the row 72 is no more than 20. In one example, the propulsor 42 includes 18 of the propulsor blades 74 uniformly circumferentially arranged about the hub 76. In other embodiments, the number N may be any number of blades from 12-20.

The propulsor blades 74 define a solidity value with regard to the chord dimension CD and the circumferential pitch CP. The solidity value is defined as a ratio (R) of CD/CP (i.e., CD divided by CP). In embodiments, the solidity value of the propulsor 42 is between 1.0 and 1.3. In further embodiments, the solidity value is from 1.1 to 1.2.

Additionally, in combination with the given example solidity values, the engine 20 may be designed with a particular design pressure ratio. In embodiments, the design pressure ratio may be between 1.3 and 1.55. In a further embodiment, the design pressure ratio may be between 1.3 and 1.4.

The engine 20 may also be designed with a particular bypass ratio with regard to the amount of air that passes through the bypass flow passage B and the amount of air that passes through the core flow passage C. As an example, the design bypass ratio of the engine 20 may nominally be 12, or alternatively in a range of approximately 8.5 to 13.5.

The propulsor 42 also defines a ratio of N/R. In embodiments, the ratio N/R is from 9 to 20. In further embodiments, the ratio N/R is from 14 to 16. The table below shows additional examples of solidity and the ratio N/R for different numbers of propulsor blades 74.

TABLE

Number of Blades, Solidity and Ratio N/R		
Number of Blades (N)	Solidity	Ratio N/R
20	1.3	15.4
18	1.3	13.8
16	1.3	12.3
14	1.3	10.8
12	1.3	9.2
20	1.2	16.7

TABLE-continued

Number of Blades, Solidity and Ratio N/R		
Number of Blades (N)	Solidity	Ratio N/R
18	1.2	15.0
16	1.2	13.3
14	1.2	11.7
12	1.2	10.0
20	1.1	18.2
18	1.1	16.4
16	1.1	14.5
14	1.1	12.7
12	1.1	10.9
20	1.0	20.0
18	1.0	18.0
16	1.0	16.0
14	1.0	14.0
12	1.0	12.0

The disclosed ratios of N/R enhance the propulsive efficiency of the disclosed engine 20. For instance, the disclosed ratios of N/R are designed for the geared turbo fan architecture of the engine 20 that utilizes the gear assembly 48. That is, the gear assembly 48 allows the propulsor 42 to rotate at a different, lower speed than the low speed spool 30. In combination with the variable area nozzle 64, the propulsor 42 can be designed with a large diameter and rotate at a relatively slow speed with regard to the low speed spool 30. A relatively low speed, relatively large diameter, and the geometry that permits the disclosed ratios of N/R contribute to the reduction of performance debits, such as by lowering the speed of the air or fluid that passes over the propulsor blades 74.

Although a combination of features is shown in the illustrated examples, not all of them need to be combined to realize the benefits of various embodiments of this disclosure. In other words, a system designed according to an embodiment of this disclosure will not necessarily include all of the features shown in any one of the Figures or all of the portions schematically shown in the Figures. Moreover, selected features of one example embodiment may be combined with selected features of other example embodiments.

The preceding description is exemplary rather than limiting in nature. Variations and modifications to the disclosed examples may become apparent to those skilled in the art that do not necessarily depart from the essence of this disclosure. The scope of legal protection given to this disclosure can only be determined by studying the following claims.

What is claimed is:

1. A gas turbine engine comprising:

- a bypass flow passage and a core flow passage, the bypass flow passage including an inlet and defining a bypass ratio in a range of approximately 8.5 to 13.5 with regard to flow through the bypass flow passage and flow through the core flow passage;
 - a fan arranged within the bypass flow passage;
 - a first shaft and a second shaft;
 - a first turbine coupled with the first shaft, the first shaft coupled with the fan, wherein the first turbine is a 5-stage turbine;
 - a first compressor coupled with the first shaft, wherein the first compressor is a 3-stage compressor; and
 - a second turbine coupled with the second shaft, wherein the second turbine is a 2-stage turbine;
- wherein the fan includes a hub and a row of fan blades that extend from the hub, and the row includes a number (N) of the fan blades, a solidity value (R) at tips of the

5

fan blades, and a ratio of N/R that is from 14 to 16 to manage the propulsive losses at the lower speed.

2. The gas turbine engine as recited in claim 1, wherein the number (N) of the fan blades is 18.

3. The gas turbine engine as recited in claim 2, wherein the bypass flow passage includes an inlet and an outlet defining a design pressure ratio with regard to an inlet pressure at the inlet and an outlet pressure at the outlet at a design rotational speed of the engine, the design pressure ratio being approximately 1.3 to 1.55.

4. The gas turbine engine as recited in claim 3, wherein the design pressure ratio is approximately 1.55.

5. The gas turbine engine as recited in claim 4, wherein the first shaft and the second shaft are concentric, the first shaft being an inner shaft and the second shaft being an outer shaft.

6. The gas turbine engine as recited in claim 5, wherein the bypass ratio is nominally 12.

7. The gas turbine engine as recited in claim 6, wherein each of the fan blades is fixed in position between the hub and the tip.

8. The gas turbine engine as recited in claim 1, wherein the bypass flow passage includes an inlet and an outlet defining a design pressure ratio with regard to an inlet pressure at the inlet and an outlet pressure at the outlet at a design rotational speed of the engine, the design pressure ratio being between 1.3 and 1.4.

9. The gas turbine engine as recited in claim 8, wherein each of the fan blades is fixed in position between the hub and the tip.

10. A gas turbine engine comprising:

a bypass flow passage and a core flow passage, the bypass flow passage defining a bypass ratio in a range of approximately 8.5 to 13.5 with regard to flow through the bypass flow passage and flow through the core flow passage;

a fan arranged within the bypass flow passage;

a first shaft and a second shaft, wherein the first shaft and the second shaft are concentric, the first shaft being an inner shaft and the second shaft being an outer shaft;

a first turbine coupled with the first shaft, the first shaft coupled with the fan, wherein the first turbine is a 5-stage turbine;

a first compressor coupled with the first shaft, wherein the first compressor is a 3-stage compressor; and

a second turbine coupled with the second shaft, wherein the second turbine is a 2-stage turbine;

wherein the fan includes a hub and a row of fan blades that extend from the hub, and the row includes a number (N) of the fan blades, the number (N) being 18, a solidity value (R) at tips of the fan blades that is from 1.0 to 1.2, and a ratio of N/R that is from 15.0 to 18.0.

11. The gas turbine engine as recited in claim 10, wherein the bypass flow passage includes an inlet and an outlet defining a design pressure ratio with regard to an inlet pressure at the inlet and an outlet pressure at the outlet at a design rotational speed of the engine, the design pressure ratio being approximately 1.3 to 1.55.

12. The gas turbine engine as recited in claim 11, wherein the solidity value (R) at the tips of the fan blades is from 1.0 to 1.1.

13. The gas turbine engine as recited in claim 12, wherein the ratio of N/R is from 16.4 to 18.0.

14. The gas turbine engine as recited in claim 12, further comprising a variable area nozzle, wherein the design pressure ratio is achieved in operation with the variable area nozzle fully open.

6

15. The gas turbine engine as recited in claim 13, wherein the bypass ratio is nominally 12.

16. The gas turbine engine as recited in claim 13, wherein the design pressure ratio is between 1.3 and 1.4.

17. The gas turbine engine as recited in claim 11, wherein the solidity value (R) at the tips of the fan blades is from 1.1 to 1.2.

18. The gas turbine engine as recited in claim 17, wherein the ratio of N/R is from 15.0 to 16.4.

19. The gas turbine engine as recited in claim 18, wherein the design pressure ratio is approximately 1.55.

20. The gas turbine engine as recited in claim 19, wherein the bypass ratio is nominally 12.

21. The gas turbine engine as recited in claim 19, wherein the design pressure ratio is between 1.3 and 1.4.

22. The gas turbine engine as recited in claim 10, wherein each of the fan blades is fixed in position between the hub and the tip.

23. A gas turbine engine comprising:

a bypass flow passage and a core flow passage, the bypass flow passage defining a bypass ratio in a range of approximately 8.5 to 13.5 with regard to flow through the bypass flow passage and flow through the core flow passage, and wherein the bypass flow passage includes an inlet and an outlet defining a design pressure ratio with regard to an inlet pressure at the inlet and an outlet pressure at the outlet at a design rotational speed of the engine, the design pressure ratio being approximately 1.3 to 1.55;

a fan arranged within the bypass flow passage;

a first shaft and a second shaft, wherein the first shaft and the second shaft are concentric, the first shaft being an inner shaft and the second shaft being an outer shaft;

a first turbine coupled with the first shaft, the first shaft coupled with the fan;

a first compressor coupled with the first shaft, wherein the first compressor is a 3-stage compressor; and

a second turbine coupled with the second shaft, wherein the second turbine is a 2-stage turbine;

wherein the fan includes a hub and a row of fan blades that extend from the hub, and the row includes a number (N) of the fan blades, the number (N) being 18, a solidity value (R) at tips of the fan blades that is from 1.0 to 1.1, and a ratio of N/R that is from 16.4 to 18.0.

24. The gas turbine engine as recited in claim 23, wherein the design pressure ratio is approximately 1.55.

25. The gas turbine engine as recited in claim 24, wherein the bypass ratio is nominally 12.

26. The gas turbine engine as recited in claim 24, wherein the design pressure ratio is between 1.3 and 1.4.

27. The gas turbine engine as recited in claim 23, wherein each of the fan blades is fixed in position between the hub and the tip.

28. A gas turbine engine comprising:

a bypass flow passage and a core flow passage, the bypass flow passage defining a bypass ratio in a range of approximately 8.5 to 13.5 with regard to flow through the bypass flow passage and flow through the core flow passage, and wherein the bypass flow passage includes an inlet and an outlet defining a design pressure ratio with regard to an inlet pressure at the inlet and an outlet pressure at the outlet at a design rotational speed of the engine, the design pressure ratio being approximately 1.55;

a fan within the bypass flow passage;

a first shaft and a second shaft, wherein the first shaft and the second shaft are concentric, the first shaft being an inner shaft and the second shaft being an outer shaft; a first turbine coupled with the first shaft, the first shaft coupled with the fan;

5

a first compressor coupled with the first shaft, wherein the first compressor is a 3-stage compressor; and a second turbine coupled with the second shaft, wherein the second turbine is a 2-stage turbine;

wherein the fan includes a hub and a row of fan blades that extend from the hub, and the row includes a number (N) of the fan blades, the number (N) being 18, a solidity value (R) at tips of the fan blades that is from 1.0 to 1.1, and a ratio of N/R that is from 16.4 to 18.0.

10

29. The gas turbine engine as recited in claim **28**, wherein each of the fan blades is fixed in position between the hub and the tip.

15

30. The gas turbine engine as recited in claim **28**, wherein the first turbine is a 5-stage turbine.

20

* * * * *