
The Origins Space Telescope Cryo-Thermal Architecture

M. DiPirro, L. Fantano

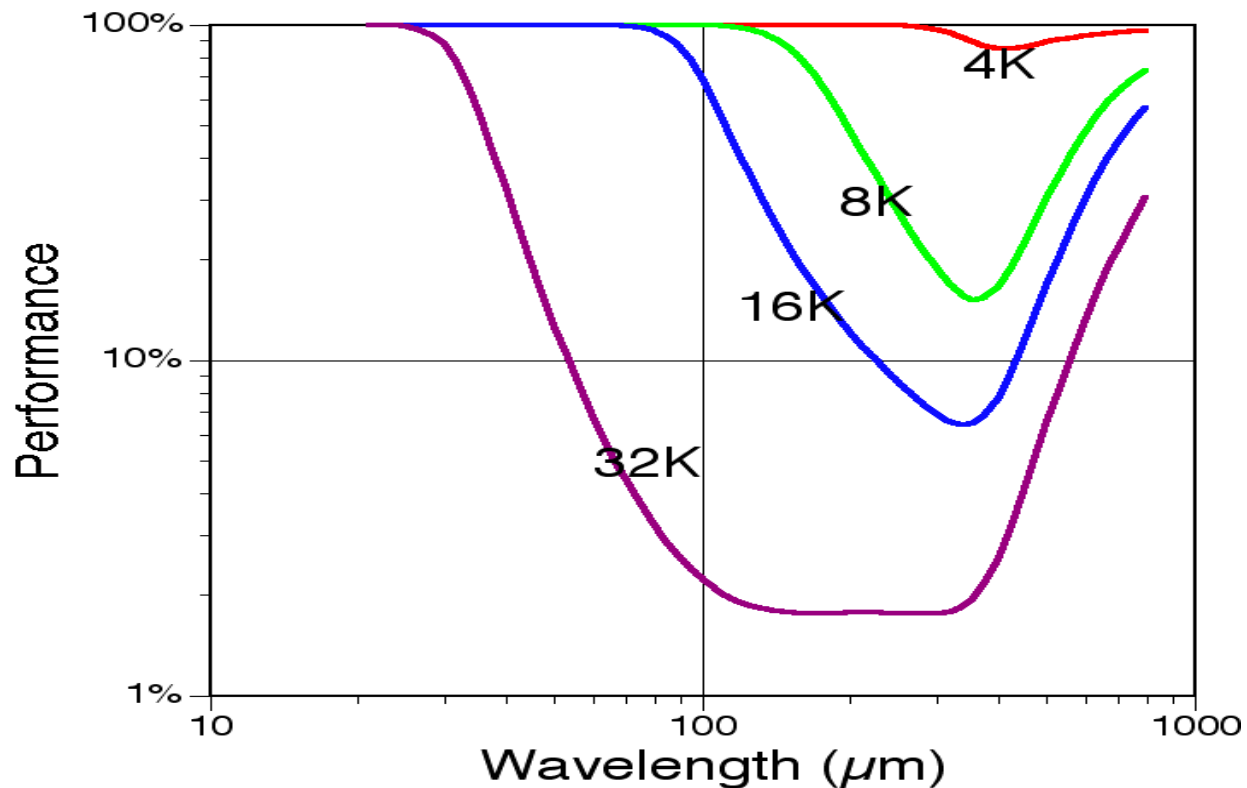
NASA/Goddard Space Flight Center

What is OST?

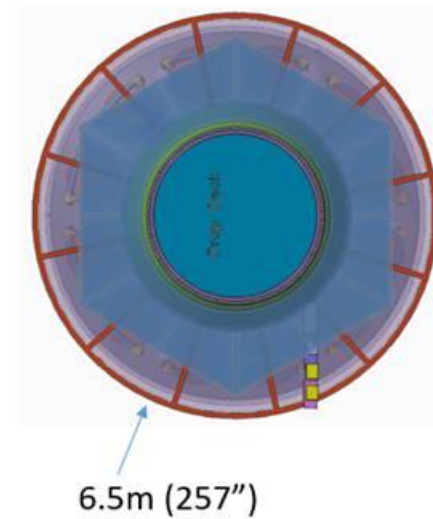
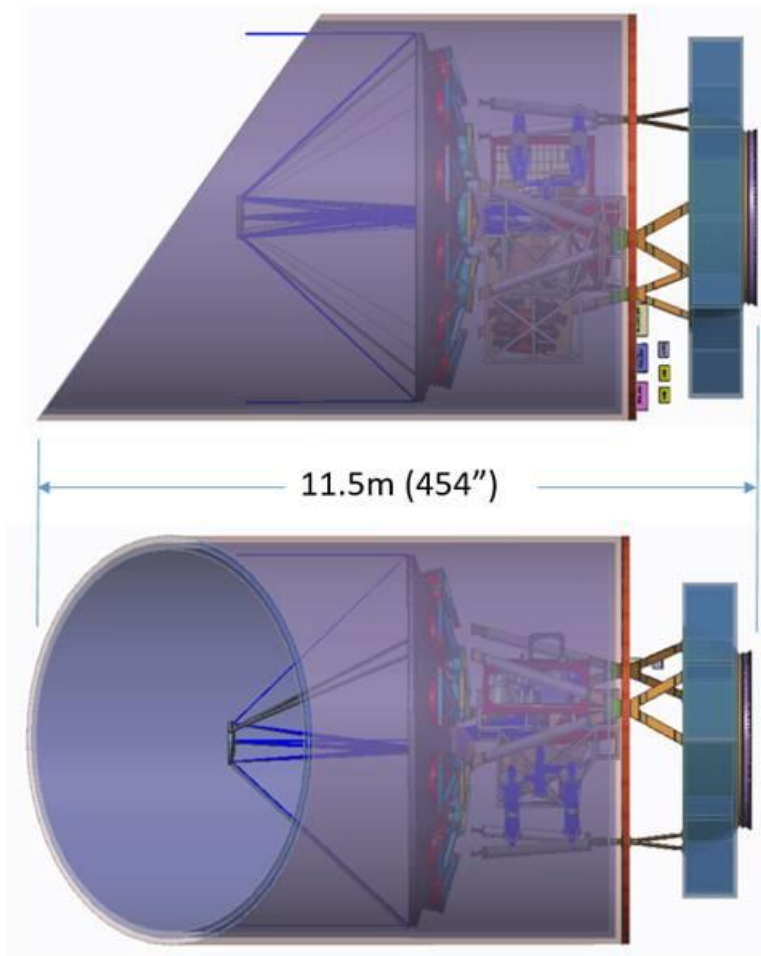
- NASA Headquarters Astrophysics Division commissioned 4 studies for one possible flagship mission to launch in the 2030's
 - Lynx (X-ray Surveyor)
 - LUVOIR (Large UV, Optical, and near InfraRed Observatory)
 - HabEx (Habitable Exoplanet mission)
 - Origins Space Telescope (OST) (Far IR Surveyor)

Why Do We need a 4.0 K Telescope?

- OST will cover the wavelength range from 6 μm to 600 μm
 - The goal is to be background limited – limited by the cosmos rather than self emission from the telescope



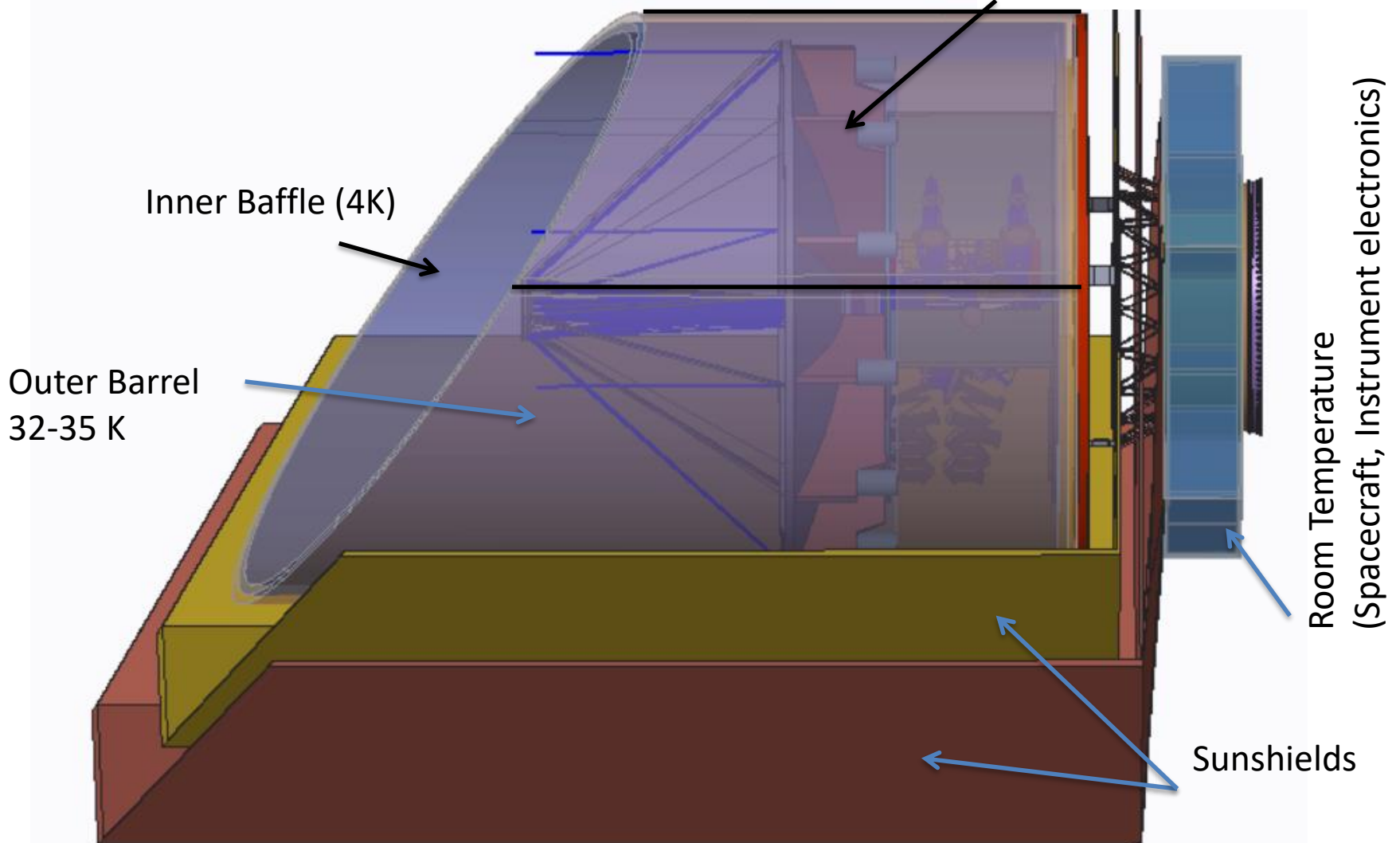
How Big is This Thing?



OST Stowed
Dimensions
5-8-18
G. Martins

Thermal Zones

Single Stage Radiator
30-35 K, 1.5-2.9W



One Question

- How can we do a JWST-size 4 K telescope when a 40 K telescope (JWST) was so difficult?
 - Cryocoolers are now more mature
 - Cryocoolers at low temperature have a huge advantage over radiative cooling at low T
 - OST has a longer wavelength so the optics are less challenging
 - Low temperature has advantages
 - Low thermal contraction with changing temperatures for one
 - The design is driven by cryo/thermal considerations
 - Cryogenics leads to solutions!!!

State of the Art for cooling

- ACTDP and follow-up matured coolers from 3 different companies
- Approximately 10,000 W of input power per W of cooling power
- Space Cryocooler Reliability is Extremely High
 - From Ron Ross's ongoing survey

Staged Cooling

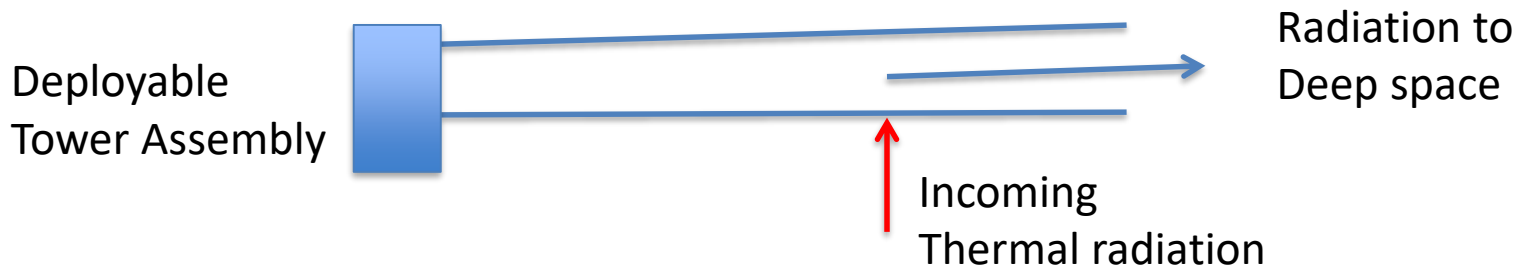
- Utilize staged cooling to go from 300 to 0.05 K
 - Start with radiative cooling of the sunshield
 - Use 32-35 K deep space radiator
 - Use 3 stages of cryocooler cooling
 - Notionally 70 K, 20 K, and 4 K
 - Finish with a subKelvin cooler to provide 50 mK

Nominal Heat Flows

- Rough calculation of the heat absorbed by the 4 K cryocooler stage is broken down as follows:
 - Telescope: radiation: 7 mW, conduction from structure 6 mW, conduction from harnesses 20 mW
 - Instrument dissipation: Maximum 65 mW mainly from low temperature preamplifiers
- Will use four 50 mW cryocoolers in parallel which provide redundancy, 100% margin on the expected cooling load, and keeps size close to current technology

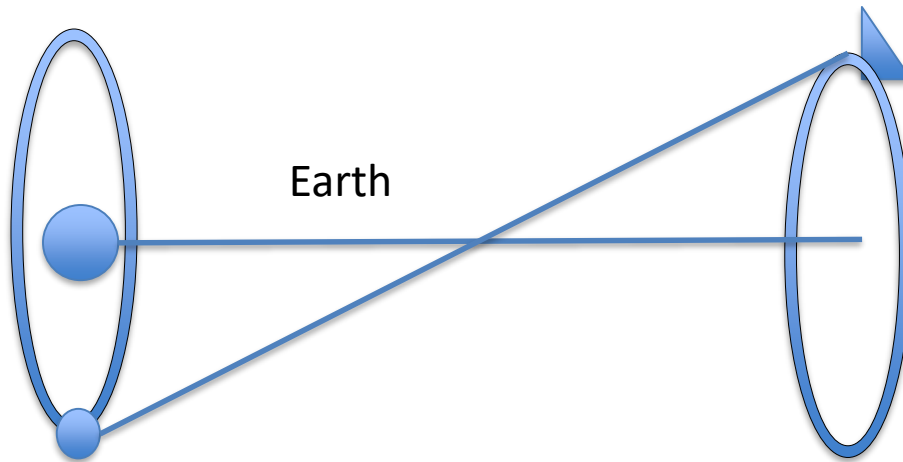
Sunshield Principle

- Radiate horizontally, block radiation perpendicular



- Practical Considerations
 - The Sun, Earth, and Moon do not stay in one place
 - Solar pressure imbalance
 - Deployment

Keep Out Angles



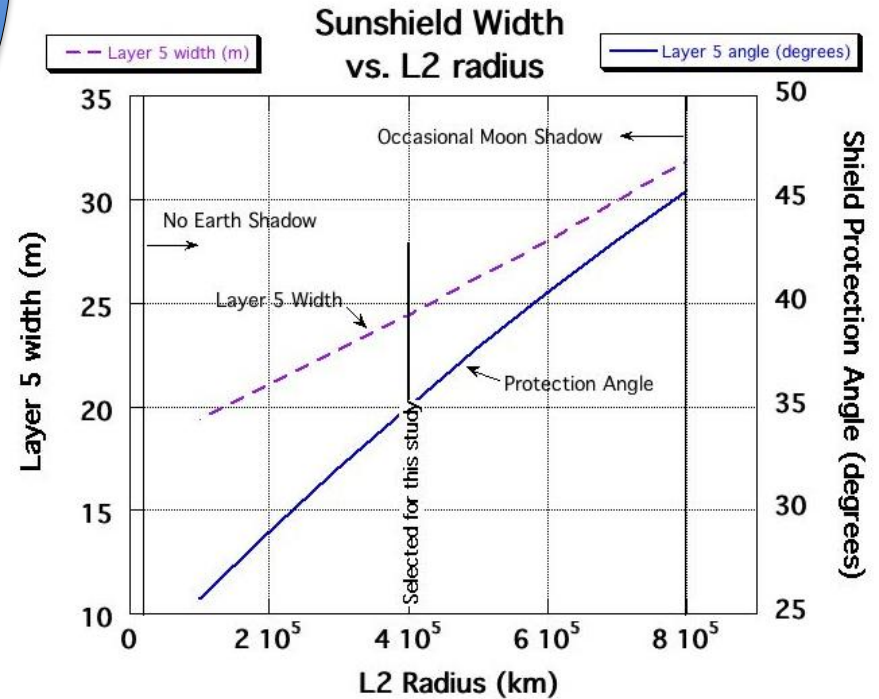
OST

L2 Orbit

Earth

Moon

Field of Regard adds to shield size
 OST Pitch = $+5^\circ/-45^\circ$, Roll = $\pm 5^\circ$,
 Yaw = 360°

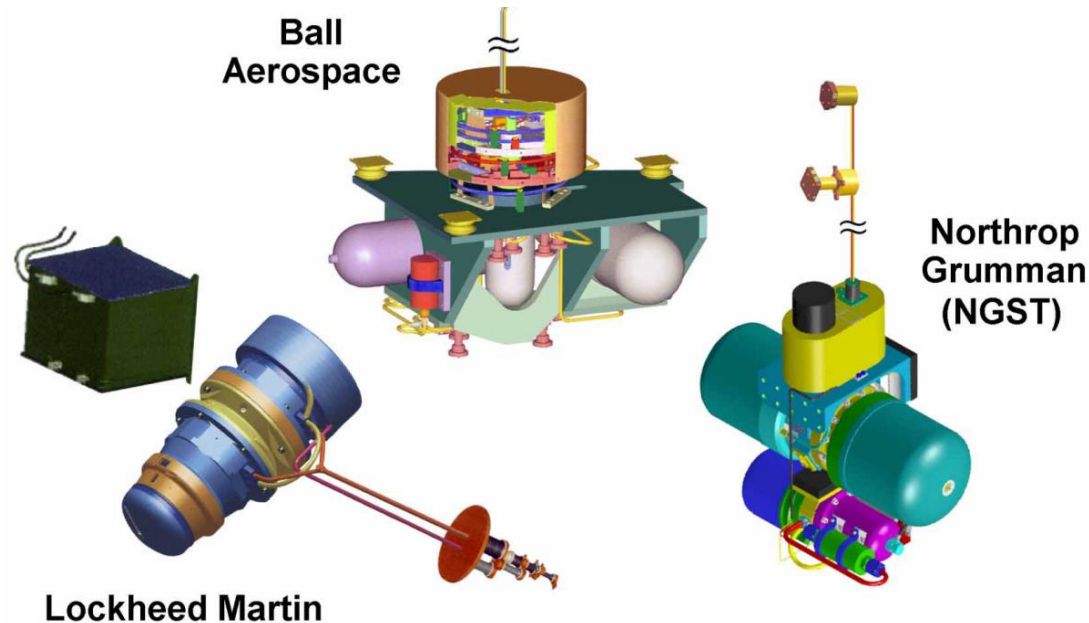


Solar Pressure

- Ideally the center of solar pressure ($\sim 9 \mu\text{Pa}$) and center of mass are in the same place
- Any offset must be overcome with momentum wheels and propulsion
 - Aside from mass, frequent propulsive maneuvers disrupt observing time
- Concept 2 has 5 times less solar torque than Concept 1 enabling standard reaction wheel control

Cryocooler Considerations

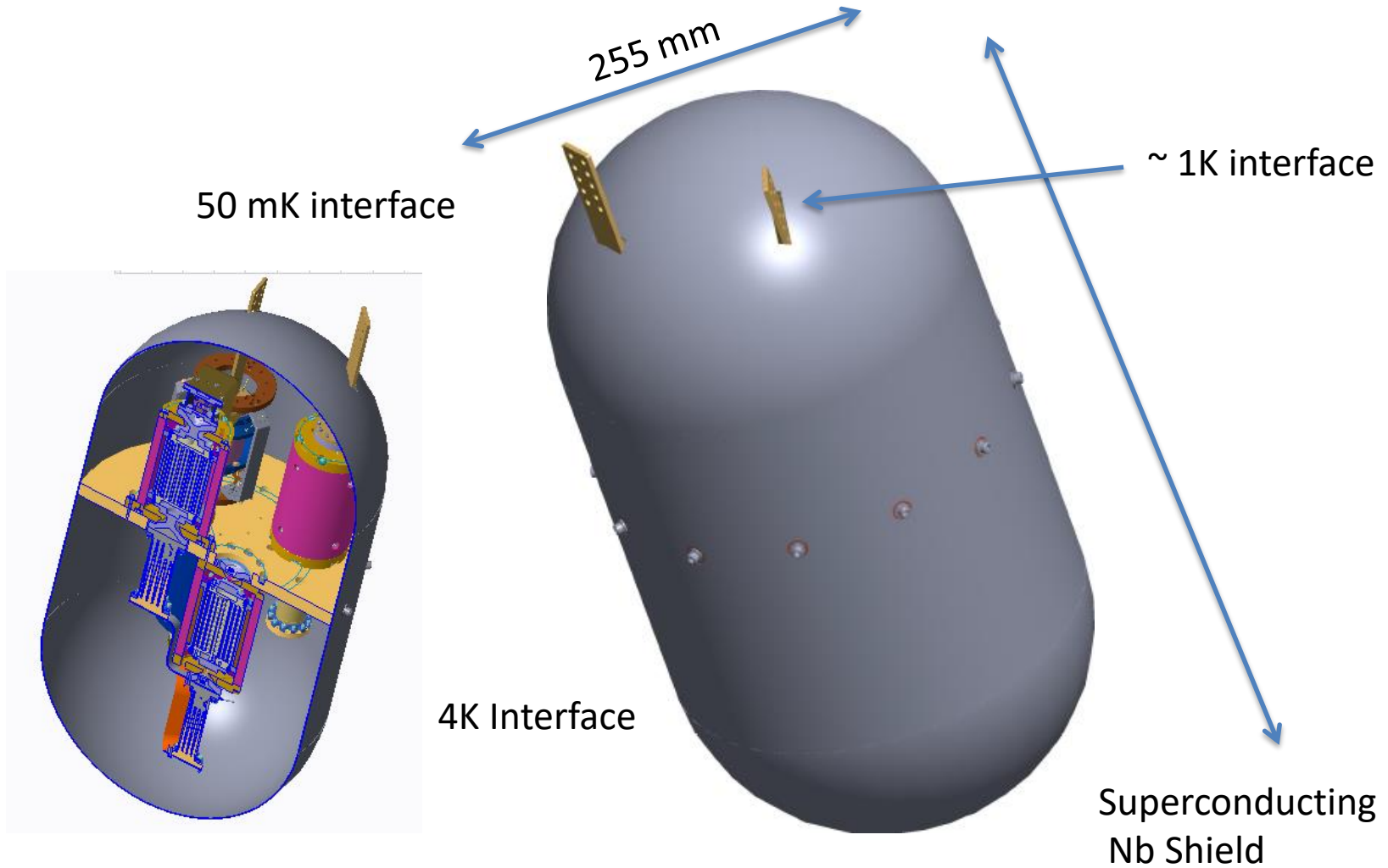
- Staged heat extraction
- Vibration issues
 - Not so much for image stabilization as for microphonics on detectors
- Packaging and distributing cooling
- 50 mW cooling @ 4 K plus 100 mW @20 K and 3W@70 K cooling for 500 W of input power



Sub-Kelvin Cooling

- Instruments whose detectors require cooling to less than 1 K will be sized to accommodate a provisional sub-Kelvin cooler. Such a cooler is currently at TRL4 and will be at TRL6 by the end of the current SAT (end of 2019)
 - Up to 6 μ W continuous cooling at 50 mK (max duty cycle)
 - Up to TBD mW cooling at \sim 1K (250 μ W at 0.6 K for example)
 - Heat rejection to 4 K
 - 6 mW (at max duty cycle), 3 mW at min duty cycle
 - Magnetic shielding to provide $< 1\mu$ T at the boundary of the cooler
 - Mass \sim 21 kg
 - Volume (see graphic)

Multi-Stage ADR Sub-Kelvin Cooling



Summary and Conclusions

- The Origins Space Telescope is being studied as a flagship class astrophysics mission for the 2030's
 - 5.9 m diameter primary operating at 4 K
 - Cooling is achieved by proper staging of sunshields, radiators, and mechanical cryocoolers
 - 4 K and lower instruments
 - 2 instruments require subKelvin (50 mK) temperatures which could be provided by new continuous adiabatic demagnetization refrigerator