



(12) **United States Patent**
Gallagher et al.

(10) **Patent No.:** **US 10,012,150 B2**
(45) **Date of Patent:** ***Jul. 3, 2018**

(54) **EFFICIENT, LOW PRESSURE RATIO PROPULSOR FOR GAS TURBINE ENGINES**

(58) **Field of Classification Search**
CPC ... F02K 3/06; F02K 1/06; F01D 5/282; F01D 17/14; F01D 5/147; F01D 15/12;
(Continued)

(71) Applicant: **United Technologies Corporation**,
Farmington, CT (US)

(56) **References Cited**

(72) Inventors: **Edward J. Gallagher**, West Hartford, CT (US); **Byron R. Monzon**, Cromwell, CT (US); **Shari L. Bugaj**, Haddam, CT (US)

U.S. PATENT DOCUMENTS

3,287,906 A 11/1966 McCormick
3,468,473 A 9/1969 Davies et al.
(Continued)

(73) Assignee: **United Technologies Corporation**,
Farmington, CT (US)

FOREIGN PATENT DOCUMENTS

(*) Notice: Subject to any disclaimer, the term of this patent is extended or adjusted under 35 U.S.C. 154(b) by 0 days.

EP 1712738 10/2006
GB 1516041 6/1978
(Continued)

This patent is subject to a terminal disclaimer.

OTHER PUBLICATIONS

(21) Appl. No.: **15/233,142**

Hall, C.A., and Crichton, D., "Engine Design Studies for a Silent Aircraft", Journal of Turbomachinery, vol. 129, Jul. 2007, pp. 479-487 (paper presented at ASME Turbo Expo 2006: Power for Land, Sea, and Air, GT2006-90559, Barcelona, Spain, May 8-11, 2006, pp. 1653-1662).*

(22) Filed: **Aug. 10, 2016**

(65) **Prior Publication Data**

US 2016/0369703 A1 Dec. 22, 2016

(Continued)

Related U.S. Application Data

Primary Examiner — Carlos A Rivera

(63) Continuation of application No. 14/695,373, filed on Apr. 24, 2015, which is a continuation-in-part of
(Continued)

(74) *Attorney, Agent, or Firm* — Carlson, Gaskey & Olds, P.C.

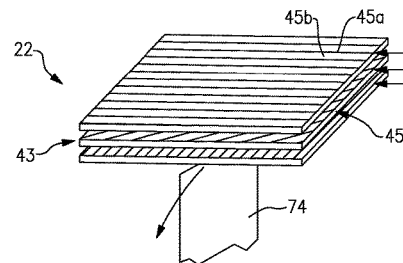
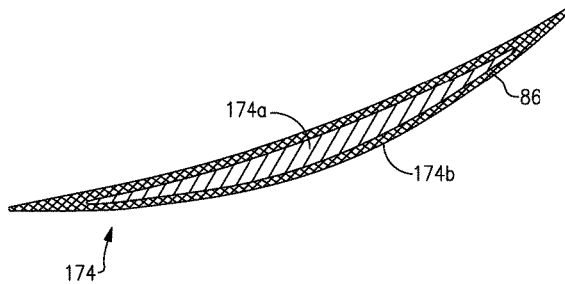
(51) **Int. Cl.**
F02C 7/36 (2006.01)
F02K 1/06 (2006.01)
(Continued)

(57) **ABSTRACT**

A gas turbine engine includes a gear assembly and a bypass flow passage that includes an inlet and an outlet that define a design pressure ratio between 1.3 and 1.55. A fan is arranged at the inlet. A first turbine is coupled with a first shaft such that rotation of the first turbine will drive the fan, through the first shaft and the gear assembly, at a lower speed than the first shaft. The fan includes a row of fan blades. The row includes 12-16 (N) fan blades, a solidity value (R) that is from 1.0 to 1.3, and a ratio of N/R that is from 10.0 to 16.

(52) **U.S. Cl.**
CPC **F02C 7/36** (2013.01); **F01D 5/147** (2013.01); **F01D 5/282** (2013.01); **F01D 15/12** (2013.01);
(Continued)

25 Claims, 3 Drawing Sheets



Related U.S. Application Data

application No. 13/484,858, filed on May 31, 2012, now Pat. No. 9,121,368, which is a continuation of application No. 13/176,365, filed on Jul. 5, 2011.

(51) **Int. Cl.**

- F02K 3/06** (2006.01)
- F01D 5/28** (2006.01)
- F01D 5/14** (2006.01)
- F01D 15/12** (2006.01)
- F04D 29/02** (2006.01)
- F04D 29/053** (2006.01)
- F04D 29/32** (2006.01)
- F04D 29/38** (2006.01)
- F04D 29/52** (2006.01)
- F04D 29/56** (2006.01)

(52) **U.S. Cl.**

CPC **F02K 1/06** (2013.01); **F02K 3/06** (2013.01); **F04D 29/023** (2013.01); **F04D 29/053** (2013.01); **F04D 29/325** (2013.01); **F04D 29/388** (2013.01); **F04D 29/526** (2013.01); **F04D 29/563** (2013.01); **F05D 2220/32** (2013.01); **F05D 2220/327** (2013.01); **F05D 2220/36** (2013.01); **F05D 2260/4031** (2013.01); **F05D 2300/603** (2013.01); **Y02T 50/672** (2013.01)

(58) **Field of Classification Search**

CPC F02C 7/36; F05D 2260/4031; F05D 2220/327; F05D 2300/603
See application file for complete search history.

(56)

References Cited

U.S. PATENT DOCUMENTS

3,747,343	A	7/1973	Rosen	
3,754,484	A	8/1973	Roberts	
3,892,358	A	7/1975	Gisslen	
4,130,872	A	12/1978	Harloff	
4,486,146	A	12/1984	Campion	
4,885,912	A *	12/1989	Nakhamkin	F02C 1/06 60/652
5,169,288	A	12/1992	Gliebe et al.	
5,433,674	A	7/1995	Sheridan et al.	
5,447,411	A	9/1995	Curley et al.	
5,524,847	A	6/1996	Brodell et al.	
5,769,607	A	6/1998	Neely et al.	
5,778,659	A	7/1998	Duesler et al.	
5,857,836	A	1/1999	Stickler et al.	
5,915,917	A	6/1999	Eveker et al.	
5,975,841	A	11/1999	Lindemuth et al.	
6,004,095	A	12/1999	Waitz et al.	
6,195,983	B1	3/2001	Wadia et al.	
6,223,616	B1	5/2001	Sheridan	
6,318,070	B1	11/2001	Rey et al.	
6,382,905	B1 *	5/2002	Czachor	F01D 11/122 415/128
6,709,239	B2	3/2004	Chandraker	
6,814,541	B2	11/2004	Evans et al.	
7,021,042	B2	4/2006	Law	
7,107,756	B2	9/2006	Rolt	
7,241,112	B2 *	7/2007	Dambrine	B29C 70/48 29/889.7
7,374,403	B2	5/2008	Decker et al.	
7,591,754	B2	9/2009	Duong et al.	
7,758,306	B2	7/2010	Burton et al.	
7,770,377	B2	8/2010	Rolt	
7,824,305	B2	11/2010	Duong et al.	
7,882,691	B2	2/2011	Lemmers, Jr. et al.	
7,926,260	B2	4/2011	Sheridan et al.	
7,950,237	B2	5/2011	Grabowski et al.	

8,205,432	B2	6/2012	Sheridan	
8,667,775	B1	3/2014	Kisska et al.	
9,121,412	B2	9/2015	Gallagher et al.	
2006/0228206	A1	10/2006	Decker et al.	
2008/0095633	A1	4/2008	Wilson	
2008/0155961	A1	7/2008	Johnson	
2008/0206048	A1 *	8/2008	Coupe	B29C 70/24 415/200
2008/0226454	A1	9/2008	Decker et al.	
2009/0074565	A1	3/2009	Suciu et al.	
2009/0245997	A1 *	10/2009	Hurwitz	F01D 17/08 415/1
2010/0089019	A1	4/2010	Knight et al.	
2010/0148396	A1	6/2010	Xie et al.	
2010/0150696	A1 *	6/2010	Lenk	F01D 21/045 415/9
2010/0162683	A1	7/2010	Grabowski et al.	
2010/0218483	A1	9/2010	Smith	
2010/0260609	A1	10/2010	Wood et al.	
2010/0331139	A1	12/2010	McCune	
2011/0020130	A1 *	1/2011	Murakami	B29C 70/30 416/223 R
2011/0142670	A1 *	6/2011	Pilpel	F03D 3/062 416/230
2013/0008146	A1 *	1/2013	Gallagher	F01D 17/14 60/226.3

FOREIGN PATENT DOCUMENTS

GB	2041090	9/1980
GB	2426792	12/2006
WO	2007038674	4/2007
WO	2015034630	3/2015
WO	2015047511	4/2015

OTHER PUBLICATIONS

Rauch, D., "Design Study of an Air Pump and Integral Lift Engine ALF-504 Using the Lycoming 502 Core", NASA Report CR-120992, NASA Lewis Research Center, Cleveland, Ohio, 1972, pp. 1-182.*

Warwick, G., "Civil Engines: Pratt & Whitney gears up for the future with GTF", Flight International, Nov. 2007, accessed on Jul. 17, 2015 at <http://www.flightglobal.com/news/articles/civil-engines-pratt-amp-whitney-gears-up-for-the-future-with-gtf>.*

Coy, Peter, "The Little Gear That Could Reshape the Jet Engine", Bloomberg Business, Oct. 15, 2015, pp. 1-4 [accessed on Nov. 10, 2015 at <http://www.bloomberg.com/news/articles/2015-10-15/pratt-s-purepower-gtf-jet-engine-innovation-took-almost-30-years>].*

Read, Bill, "Powerplant Revolution", AeroSpace, May 2014, pp. 28-31.*

McMillian, A. (2008) Material development for fan blade containment casing. Abstract. p. 1. Conference on Engineering and Physics: Synergy for Success 2006. Journal of Physics: Conference Series vol. 105. London, UK. Oct. 5, 2006.

Kurzke, J. (2009). Fundamental differences between conventional and geared turbofans. Proceedings of ASME Turbo Expo: Power for Land, Sea, and Air. 2009, Orlando, Florida. pp. 145-153.

Agarwal, B.D and Broutman, L.J. (1990). Analysis and performance of fiber composites, 2nd Edition. John Wiley & Sons, Inc. New York: New York. pp. 1-30, 50-51, 56-58, 60-61, 64-71, 87-89, 324-329, 436-437.

Carney, K., Pereira, M. Revilock, and Matheny, P. (2003). Jet engine fan blade containment using two alternate geometries. 4th European LS-DYNA Users Conference. pp. 1-10.

Brines, G.L. (1990). The turbofan of tomorrow. Mechanical Engineering: The Journal of the American Society of Mechanical Engineers, 108(8), 65-67.

Faghri, A. (1995). Heat pipe and science technology. Washington, D.C.: Taylor & Francis. pp. 1-60.

Hess, C. (1998). Pratt & Whitney develops geared turbofan. Flug Revue 43(7). Oct. 1998.

(56)

References Cited

OTHER PUBLICATIONS

- Grady, J.E., Weir, D.S., Lamoureux, M.C., and Martinez, M.M. (2007). Engine noise research in NASA's quiet aircraft technology project. Papers from the International Symposium on Air Breathing Engines (ISABE). 2007.
- Griffiths, B. (2005). Composite fan blade containment case. Modern Machine Shop. Retrieved from: <http://www.mmsonline.com/articles/composite-fan-blade-containment-case> pp. 1-4.
- Hall, C.A. and Crichton, D. (2007). Engine design studies for a silent aircraft. *Journal of Turbomachinery*, 129, 479-487.
- Haque, A. and Shamsuzzoha, M., Hussain, F., and Dean, D. (2003). S2O-glass/epoxy polymer nanocomposites: Manufacturing, structures, thermal and mechanical properties. *Journal of Composite Materials*, 37 (20), 1821-1837.
- Brennan, P.J. and Kroliczek, E.J. (1979). Heat pipe design handbook. Prepared for National Aeronautics and Space Administration by B & K Engineering, Inc. Jun. 1979. pp. 1-348.
- Horikoshi, S. and Serpone, N. (2013). Introduction to nanoparticles. *Microwaves in nanoparticle synthesis*. Wiley-VCH Verlag GmbH & Co. KGaA. pp. 1-24.
- Kerrebrock, J.L. (1977). *Aircraft engines and gas turbines*. Cambridge, MA: The MIT Press. p. 11.
- Xie, M. (2008). Intelligent engine systems: Smart case system. NASA/CR-2008-215233. pp. 1-31.
- Knip, Jr., G. (1987). Analysis of an advanced technology subsonic turbofan incorporating revolutionary materials. NASA Technical Memorandum. May 1987. pp. 1-23.
- Willis, W.S. (1979). Quiet clean short-haul experimental engine (QCSEE) final report. NASA/CR-159473 pp. 1-289.
- Kojima, Y., Usuki, A., Kawasumi, M., Okada, A., Fukushima, Y., Kurauchi, T., and Kamigaito, O. (1992). Mechanical properties of nylon 6-clay hybrid. *Journal of Materials Research*, 8(5), 1185-1189.
- Kollar, L.P. and Springer, G.S. (2003). *Mechanics of composite structures*. Cambridge, UK: Cambridge University Press. p. 465.
- Ramsden, J.M. (Ed). (1978). The new European airliner. *Flight International*, 113(3590). Jan. 7, 1978. pp. 39-43.
- Langston, L. and Faghri, A. Heat pipe turbine vane cooling. Prepared for Advanced Turbine Systems Annual Program Review. Morgantown, West Virginia. Oct. 17-19, 1995. pp. 3-9.
- Oates, G.C. (Ed). (1989). *Aircraft propulsion systems and technology and design*. Washington, D.C.: American Institute of Aeronautics, Inc. pp. 341-344.
- Lau K., Gu, C., and Hui, D. (2005). A critical review on nanotube and nanotube/nanoclay related polymer composite materials. *Composites: Part B* 37(2006) 425-436.
- Shorter Oxford English dictionary, 6th Edition. (2007). vol. 2, N-Z. p. 1888.
- Lynwander, P. (1983). *Gear drive systems: Design and application*. New York, New York: Marcel Dekker, Inc. pp. 145, 355-358.
- Sweetman, B. and Sutton, O. (1998). Pratt & Whitney's surprise leap. *Interavia Business & Technology*, 53:621, p. 25.
- Mattingly, J.D. (1996). *Elements of gas turbine propulsion*. New York, New York: McGraw-Hill, Inc. pp. 8-15.
- Pyrograf-III Carbon Nanofiber. Product guide. Retrieved Dec. 1, 2015 from: http://pyrografproducts.com/Merchant5/merchant.mvc?Screen=cp_nanofiber.
- Nanocor Technical Data for Epoxy Nanocomposites using Nanomer 1.30E Nanoclay. Nnacor, Inc. Oct. 2004.
- Ratna, D. (2009). *Handbook of thermoset resins*. Shawbury, UK: iSmithers. pp. 187-216.
- Wendus, B.E., Stark, D.F., Holler, R.P., and Funkhouser, M.E. (2003). Follow-on technology requirement study for advanced subsonic transport. NASA/CR-2003-212467. pp. 1-37.
- Silverstein, C.C., Gottschlich, J.M., and Meininger, M. The feasibility of heat pipe turbine vane cooling. Presented at the International Gas Turbine and Aeroengine Congress and Exposition, The Hague, Netherlands. Jun. 13-16, 1994. pp. 1-7.
- Merriam-Webster's collegiate dictionary, 11th Ed. (2009). p. 824.
- Merriam-Webster's collegiate dictionary, 10th Ed. (2001). p. 1125-1126.
- Whitaker, R. (1982). ALF 502: plugging the turbofan gap. *Flight International*, p. 237-241, Jan. 30, 1982.
- Hughes, C. (2010). Geared turbofan technology. NASA Environmentally Responsible Aviation Project. Green Aviation Summit. NASA Ames Research Center. Sep. 8-9, 2010. pp. 1-8.
- Gliebe, P.R. and Janardan, B.A. (2003). Ultra-high bypass engine aeroacoustic study. NASA/CR-2003-21252. GE Aircraft Engines, Cincinnati, Ohio. Oct. 2003. pp. 1-103.
- Moxon, J. How to save fuel in tomorrow's engines. *Flight International*. Jul. 30, 1983. 3873(124). pp. 272-273.
- File History for U.S. Appl. No. 12/131,876.
- Cusick, M. (1981). Avco Lycoming's ALF 502 high bypass fan engine. Society of Automotive Engineers, inc. Business Aircraft Meeting & Exposition. Wichita, Kansas. Apr. 7-10, 1981. pp. 1-9.
- Fledderjohn, K.R. (1983). The TFE731-5: Evolution of a decade of business jet service. SAE Technical Paper Series. Business Aircraft Meeting & Exposition. Wichita, Kansas. Apr. 12-15, 1983. pp. 1-12.
- Dickey, T.A. and Dobak, E.R. (1972). The evolution and development status of ALF 502 turbofan engine. National Aerospace Engineering and Manufacturing Meeting. San Diego, California. Oct. 2-5, 1972. pp. 1-12.
- Gunston, B. (Ed.) (2000). *Jane's aero-engines*, Issue seven. Coulsdon, Surrey, UK: Jane's Information Group Limited. pp. 510-512.
- Ivchenko-Progress D-436. *Jane's Aero-engines*, Aero-engines—Turbofan. Feb. 8, 2012.
- Ivchenko-Progress AI-727M. *Jane's Aero-engines*, Aero-engines—Turbofan. Nov. 27, 2011.
- Ivchenko-Progress D-727. *Jane's Aero-engines*, Aero-engines—Turbofan. Feb. 7, 2007.
- Turbomeca Aubisque. *Jane's Aero-engines*, Aero-engines—Turbofan. Nov. 2, 2009.
- Aviadvigatel D-110. *Jane's Aero-engines*, Aero-engines—Turbofan. Jun. 1, 2010.
- Rolls-Royce M45H. *Jane's Aero-engines*, Aero-engines—Turbofan. Feb. 24, 2010.
- Honeywell LF502. *Jane's Aero-engines*, Aero-engines—Turbofan. Feb. 9, 2012.
- Honeywell LF507. *Jane's Aero-engines*, Aero-engines—Turbofan. Feb. 9, 2012.
- Honeywell TFE731. *Jane's Aero-engines*, Aero-engines—Turbofan. Jul. 18, 2012.
- NASA Conference Publication. Quiet, powered-lift propulsion. Cleveland, Ohio. Nov. 14-15, 1978. pp. 1-420.
- "Civil Turbojet/Turbofan Specifications", *Jet Engine Specification Database* (Apr. 3, 2005).
- Kandebo, S.W. (1993). Geared-turbofan engine design targets cost, complexity. *Aviation Week & Space Technology*, 148(8). Start p. 32.
- Hendricks, E.S. and Tong, M.T. (2012). Performance and weight estimates for an advanced open rotor engine. NASA/TM-2012-217710. pp. 1-13.
- Guynn, M. D., Berton, J.J., Fisher, K. L., Haller, W.J., Tong, M. T., and Thurman, D.R. (2011). Refined exploration of turbofan design options for an advanced single-aisle transport. NASA/TM-2011-216883. pp. 1-27.
- Zalud, T. (1998). Gears put a new spin on turbofan performance. *Machine Design*, 70(20), p. 104.
- File History for U.S. Pat. No. 9,121,412.
- Davies, D. and Miller, D.C. (1971). A variable pitch fan for an ultra quiet demonstrator engine. 1976 Spring Convention: Seeds for Success in Civil Aircraft Design in the Next Two Decades. pp. 1-18.
- Middleton, P. (1971). 614: VFW's jet feederliner. *Flight International*, Nov. 4, 1971. p. 725, 729-732.
- Willis, W.S. (1979). Quiet clean short-haul experimental engine final report. Prepared for NASA. Aug. 1979. pp. 1-293.
- Sweetman, B. and Sutton, O. (1998). Pratt & Whitney's surprise leap: The announcement of the PW8000 geared turbofan caught the industry unawares. *Interavia*. Jun. 1998; 53, 621. pp. 25-26.
- Brines, G. (1990). The turbofan of tomorrow. *Mechanical Engineering: The Journal of the American Society of Mechanical Engineers*. 112, 8. pp. 65-67.

(56)

References Cited

OTHER PUBLICATIONS

Mattingly, J.D. (1996). Elements of gas turbine propulsion. McGraw-Hill. New York, NY. pp. 1-18, 60-62, 85-87, 95-104, 121-123, 223-234, 242-245, 278-285, 303-309, 323-326, 462-479, 517-520, 563-565, 630-632, 673-675, 682-685, 697-699, 703-705, 802-805, 862-864, 923-925.

Gunston, B. (2000). Ed. Jane's aero-engines. Issue Seven. Janes Information Group Limited. Alexandria, VA. pp. 510-512.

Nendus, B.E., Stark, D.F., Holler, R.P., and Funkhouse, M.E. (2003). Follow-on technology requirement study for advanced subsonic transport. Technical Report prepared for NASA. NASA/CR-2003-212467. Aug. 1, 2003. pp. 1-47.

Whitaker, R. (1982). ALF502: plugging the turbofan gap. Flight International, Jan. 30, 1982. p. 237-241.

Schaefer, J.W., Sagerser, D.R., and Stakolich, E.G. (1977). Dynamics of high-bypass-engine thrust reversal using a variable-pitch fan.

Technical Report prepare for NASA. NASA-TM-X-3524. May 1, 1977. pp. 1-33.

Savelle, S.A. and Garrard, G.D. (1996). Application of transient and dynamic simulations to the U.S. Army T55-L-712 helicopter engine. The American Society of Mechanical Engineers. Presented Jun. 10-13, 1996. pp. 1-8.

Petition for Inter Partes Review of U.S. Pat. No. 9,121,412.

Declaration of Reza Abhari, Ph.D. In re U.S. Pat. No. 9,121,412. Executed Apr. 23, 2016. pp. 1-71.

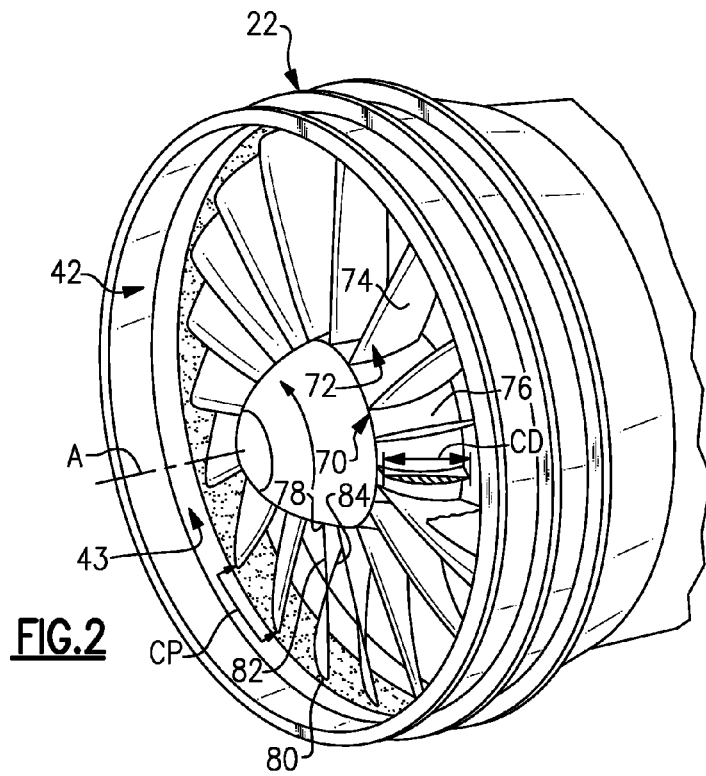
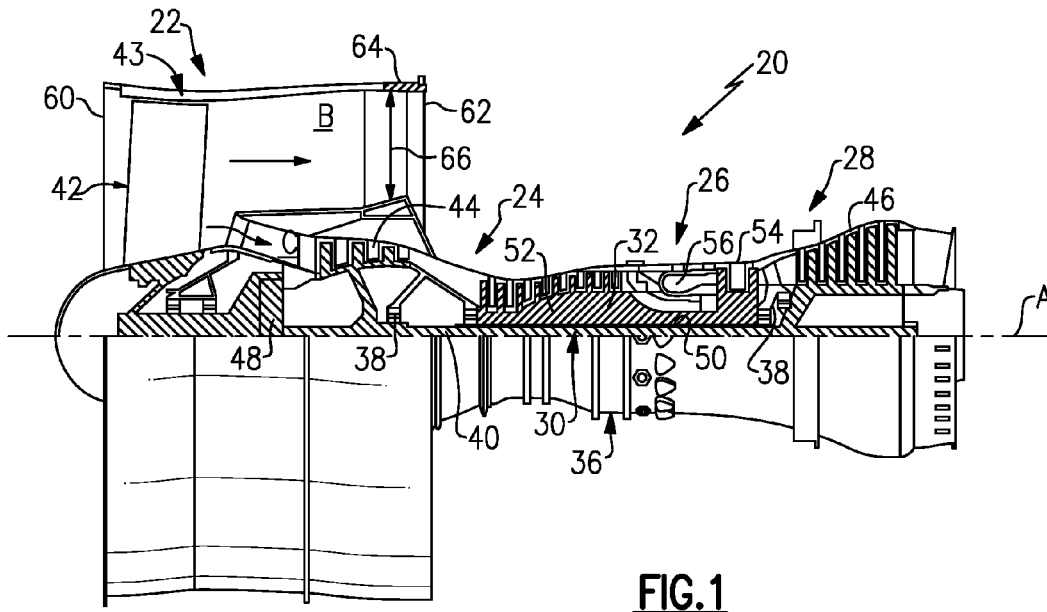
Edkins, D.P. and Hirschkron, R.L. (1972). TF34 turbofan quiet engine study final report. NASA CR-120914. Dec. 31, 1972. pp. 1-96.

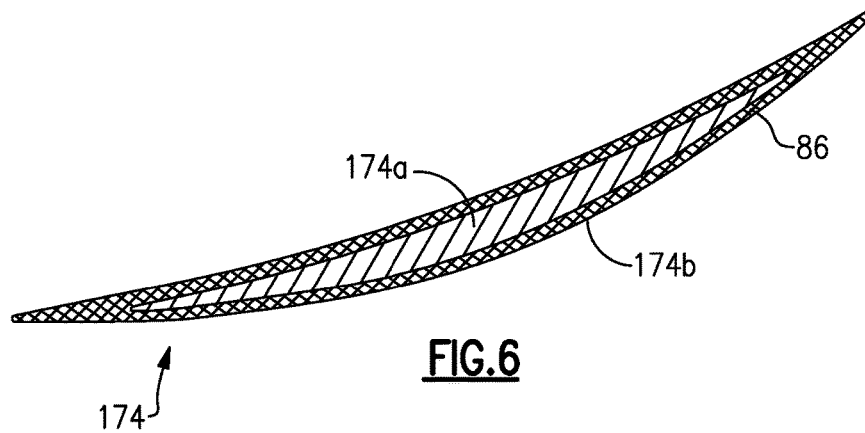
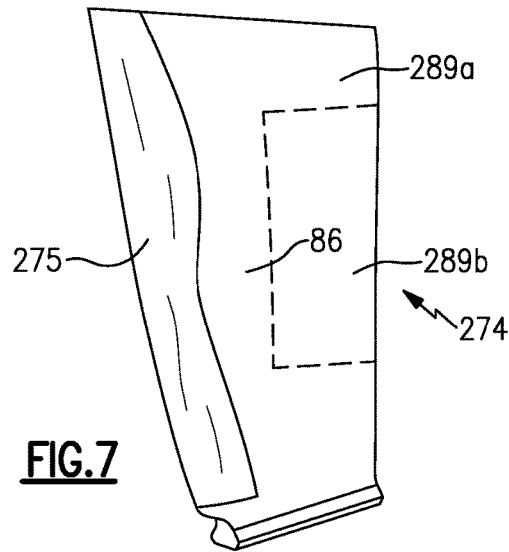
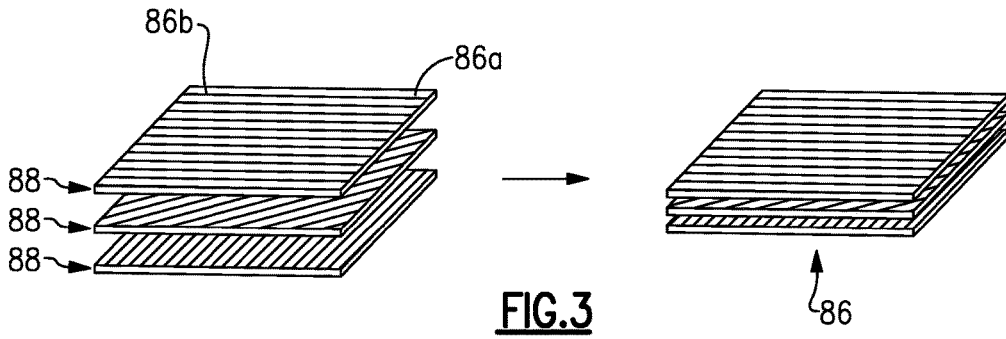
Marsh, G. (2012). Aero engines lose weight thanks to composites. Reinforced Plastics. 56(6). Nov. 1, 2012. pp. 32-35.

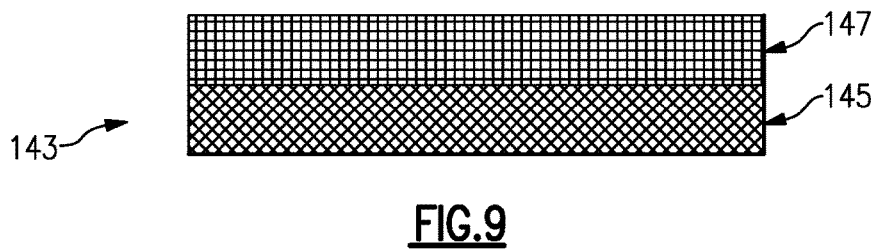
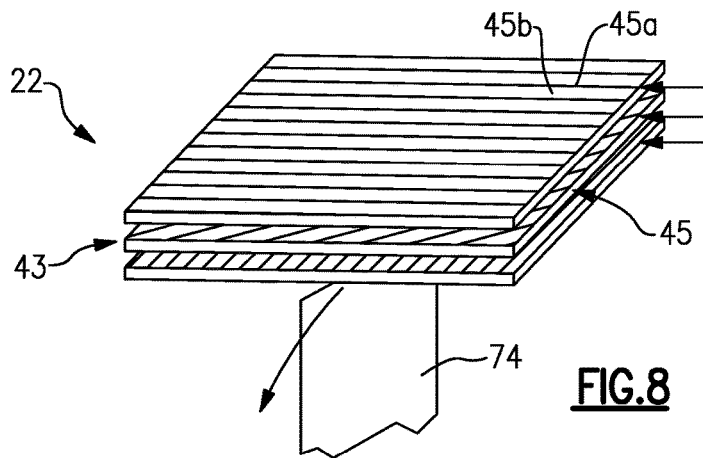
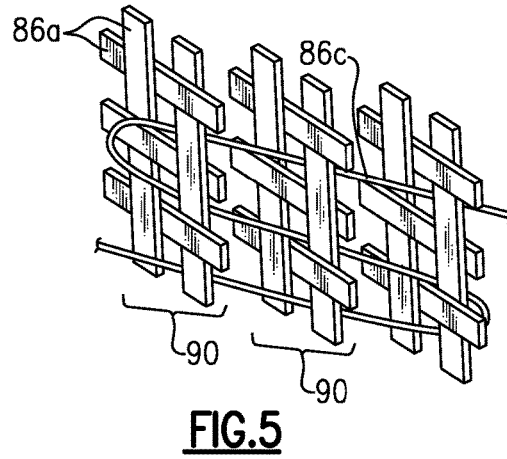
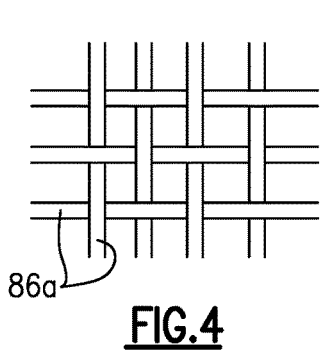
European Search Report for European Patent Application No. 16166928 dated Sep. 7, 2016.

European Search Report for European Patent Application No. 12174431 dated Sep. 8, 2016.

* cited by examiner







EFFICIENT, LOW PRESSURE RATIO PROPULSOR FOR GAS TURBINE ENGINES

CROSS REFERENCE TO RELATED APPLICATIONS

The present disclosure is a continuation of U.S. application Ser. No. 14/695,373, filed Apr. 24, 2015, which is a continuation-in-part of U.S. application Ser. No. 13/484,858, filed May 31, 2012, which is a continuation of U.S. application Ser. No. 13/176,365, filed Jul. 5, 2011.

STATEMENT REGARDING FEDERALLY SPONSORED RESEARCH OR DEVELOPMENT

This invention was made with government support under contract number NAS3-01138 awarded by NASA. The government has certain rights in the invention.

BACKGROUND

This disclosure relates to gas turbine engines and, more particularly, to an engine having a geared turbo fan architecture that is designed to efficiently operate with a high bypass ratio and a low pressure ratio.

The overall propulsive efficiency and fuel burn of a gas turbine engine depends on many different factors, such as the design of the engine and the resulting performance debits on the fan that propels the engine. As an example, the fan rotates at a high rate of speed such that air passes over the blades at transonic or supersonic speeds. The fast-moving air creates flow discontinuities or shocks that result in irreversible propulsive losses. Additionally, physical interaction between the fan and the air causes downstream turbulence and further losses. Although some basic principles behind such losses are understood, identifying and changing appropriate design factors to reduce such losses for a given engine architecture has proven to be a complex and elusive task.

SUMMARY

A gas turbine engine according to an example of the present disclosure includes a core flow passage, a bypass flow passage, and a propulsor arranged at an inlet of the bypass flow passage and the core flow passage. The propulsor includes a row of propulsor blades. The row includes no more than 20 of the propulsor blades. The propulsor has a pressure ratio of between about 1.2 or 1.3 and about 1.7 across the propulsor blades.

In a further embodiment of any of the foregoing embodiments, the pressure ratio is between about 1.3 and about 1.4.

In a further embodiment of any of the foregoing embodiments, each of the propulsor blades extends radially between a root and a tip and in a chord direction between a leading edge and a trailing edge at the tip to define a chord dimension (CD). The row of propulsor blades defines a circumferential pitch (CP) with regard to the tips. The row of propulsor blades has a solidity value (R) defined as CD/CP that is between about 0.9 or 1.0 and about 1.3.

In a further embodiment of any of the foregoing embodiments, the propulsor is coupled to be driven by a turbine through a spool, and a gear assembly is coupled between the propulsor and the spool such that rotation of the turbine drives the propulsor at a different speed than the spool.

In a further embodiment of any of the foregoing embodiments, the propulsor blades include a carbon-fiber reinforced polymer matrix material.

In a further embodiment of any of the foregoing embodiments, the polymer of the carbon-fiber reinforced polymer matrix material is a thermoplastic polymer.

In a further embodiment of any of the foregoing embodiments, the propulsor blades each further comprise a sheath on a leading edge thereof.

In a further embodiment of any of the foregoing embodiments, each of the propulsor blades includes a first distinct region of carbon-fiber reinforced polymer matrix material and a second distinct region of a non-carbon-fiber reinforced polymer matrix material.

In a further embodiment of any of the foregoing embodiments, the propulsor blades each include a distinct core that supports a skin of carbon-fiber reinforced polymer matrix material.

In a further embodiment of any of the foregoing embodiments, the skin of carbon-fiber reinforced polymer matrix material has a three-dimensional fiber structure.

In a further embodiment of any of the foregoing embodiments, the core is formed of a metallic material.

In a further embodiment of any of the foregoing embodiments, the core is formed of a fiber-reinforced material that is different in composition from the carbon-fiber reinforced polymer matrix material.

A further embodiment of any of the foregoing embodiments includes a case surrounding the propulsor, the case including a carbon-fiber reinforced polymer matrix material.

A further embodiment of any of the foregoing embodiments includes a case surrounding the propulsor. The case and the propulsor blades include a carbon-fiber reinforced polymer matrix material. The propulsor blades each include an airfoil body that has a distinct core that supports a skin of the carbon-fiber reinforced polymer matrix material, and a sheath secured on a leading edge of the airfoil body.

In a further embodiment of any of the foregoing embodiments, wherein the carbon-fiber reinforced polymer matrix material of the propulsor blades is different from the carbon-fiber reinforced polymer matrix material of the case with respect to composition.

In a further embodiment of any of the foregoing embodiments, the row includes no more than 17 of the propulsor blades.

In a further embodiment of any of the foregoing embodiments, the propulsor blades each include a distinct core that supports a skin of the carbon-fiber reinforced polymer matrix material.

In a further embodiment of any of the foregoing embodiments, the fiber reinforced polymer matrix material of the case includes carbon fibers.

A gas turbine engine according to an example of the present disclosure includes a core flow passage, a bypass flow passage, and a propulsor arranged at an inlet of the bypass flow passage and the core flow passage. The propulsor includes a row of propulsor blades. The row includes no more than 20 of the propulsor blades and the propulsor blades include a carbon-fiber reinforced polymer matrix material. Each of the propulsor blades extends radially between a root and a tip and in a chord direction between a leading edge and a trailing edge at the tip to define a chord dimension (CD). The row of propulsor blades defines a circumferential pitch (CP) with regard to the tips. The row of propulsor blades has a solidity value (R) defined as CD/CP that is less than about 1.2 or less than about 1.1.

BRIEF DESCRIPTION OF THE DRAWINGS

The various features and advantages of the disclosed examples will become apparent to those skilled in the art

from the following detailed description. The drawings that accompany the detailed description can be briefly described as follows.

FIG. 1 is a schematic cross-section of an embodiment of a gas turbine engine.

FIG. 2 is a perspective view of a fan section of the engine of FIG. 1.

FIG. 3 illustrates an embodiment of a carbon-fiber reinforced polymer matrix material.

FIG. 4 illustrates an embodiment of a two-dimensional woven fiber structure.

FIG. 5 illustrates an embodiment of a three-dimensional fiber structure.

FIG. 6 is a cross-section of an embodiment of a propulsor blade that has a distinct core and a skin of carbon-fiber reinforced polymer matrix material.

FIG. 7 illustrates an embodiment of a propulsor blade that has a sheath.

FIG. 8 illustrates a portion of an embodiment of a case and propulsor blade.

FIG. 9 illustrates another embodiment of a case.

DETAILED DESCRIPTION OF THE PREFERRED EMBODIMENT

FIG. 1 schematically illustrates a gas turbine engine 20. The gas turbine engine 20 may be a two-spool turbofan that generally incorporates a fan section 22, a compressor section 24, a combustor section 26 and a turbine section 28. Alternative engine architectures may include a single-spool design, a three-spool design, or an open rotor design, among other systems or features.

The fan section 22 drives air along a bypass flow passage B while the compressor section 24 drives air along a core flow passage C for compression and communication into the combustor section 26. Although depicted as a turbofan gas turbine engine, it is to be understood that the concepts described herein are not limited to use with turbofans and the teachings may be applied to other types of gas turbine engines.

The engine 20 includes a low speed spool 30 and high speed spool 32 mounted for rotation about an engine central longitudinal axis A relative to an engine static structure 36 via several bearing systems 38. The low speed spool 30 generally includes an inner shaft 40 that is coupled with a propulsor 42, a low pressure compressor 44 and a low pressure turbine 46. The propulsor 42 is in the fan section 22 and a case 43 surrounds the propulsor 42. The low pressure turbine 46 drives the propulsor 42 through the inner shaft 40 and a gear assembly 48, which allows the low speed spool 30 to drive the propulsor 42 at a different (e.g. lower) angular speed.

The high speed spool 32 includes an outer shaft 50 that is coupled with a high pressure compressor 52 and a high pressure turbine 54. A combustor 56 is arranged between the high pressure compressor 52 and the high pressure turbine 54. The inner shaft 40 and the outer shaft 50 are concentric and rotate about the engine central longitudinal axis A, which is collinear with their longitudinal axes.

A core airflow in core flow passage C is compressed by the low pressure compressor 44 then the high pressure compressor 52, mixed with the fuel in the combustor 56, and then expanded over the high pressure turbine 54 and low pressure turbine 46. The turbines 54, 46 rotationally drive the respective low speed spool 30 and high speed spool 32 in response to the expansion.

As shown, the propulsor 42 is arranged at an inlet 60 of the bypass flow passage B and core flow passage C. Air flow through the bypass flow passage B exits the engine 20 through an outlet 62 or nozzle. For a given design of the propulsor 42, the inlet 60 and the outlet 62 of the engine 20 define a design (fan) pressure ratio with regard to an inlet pressure at the inlet 60 and an outlet pressure at the outlet 62 of the bypass flow passage B. As an example, the design pressure ratio may be determined based upon the stagnation inlet pressure and the stagnation outlet pressure at a design rotational speed of the engine 20. In that regard, the engine 20 may optionally include a variable area nozzle 64 within the bypass flow passage B. The variable area nozzle 64 is operative to change a cross-sectional area 66 of the outlet 62 to thereby control the pressure ratio via changing pressure within the bypass flow passage B. The design pressure ratio may be defined with the variable area nozzle 64 fully open or fully closed.

Referring to FIG. 2, the propulsor 42, which in this example is a fan, includes a rotor 70 having a row 72 of propulsor blades 74 that extend a circumferentially around a hub 76. Each of the propulsor blades 74 extends radially outwardly from the hub 76 between a root 78 and a tip 80 and in a chord direction (axially and circumferentially) between a leading edge 82 and a trailing edge 84. A chord dimension (CD) is a length between the leading edge 82 and the trailing edge 84 at the tip of each propulsor blade 74. The row 72 of propulsor blades 74 also defines a circumferential pitch (CP) that is equivalent to the arc distance between the tips 80 of neighboring propulsor blades 74.

As will be described, the example propulsor 42 includes a number (N) of the propulsor blades 74 and a geometry that, in combination with the architecture of the engine 20, provides enhanced overall propulsive efficiency by reducing performance debits of the propulsor 42.

In the illustrated example, the number N of propulsor blades in the row 72 is no more than 20. In one example, the propulsor 42 includes 18 of the propulsor blades 74 uniformly circumferentially arranged about the hub 76. In other embodiments, the number N may be any number of blades from 12-20.

The propulsor blades 74 define a solidity value with regard to the chord dimension CD and the circumferential pitch CP. The solidity value is defined as a ratio (R) of CD/CP (i.e., CD divided by CP). In embodiments, the solidity value of the propulsor 42 is between 0.9 or 1.0 and 1.3. In further embodiments, the solidity value is from 1.1 to 1.2. In additional embodiments, the solidity value is less than 1.1, and in a further example is also greater than 0.85.

Additionally, in combination with the given example solidity values, the fan 22 of the engine 20 may be designed with a particular design pressure ratio. In embodiments, the design pressure ratio may be between 1.2 or 1.3 and 1.55. In a further embodiment, the design pressure ratio may be between 1.3 and 1.4. In further examples, the design pressure ratio is between 1.3 and 1.7.

The engine 20 may also be designed with a particular bypass ratio with regard to the amount of air that passes through the bypass flow passage B and the amount of air that passes through the core flow passage C. As an example, the design bypass ratio of the engine 20 may nominally be 12, or alternatively in a range of approximately 8.5 to 13.5 or 18.

The propulsor 42 also defines a ratio of N/R. In embodiments, the ratio N/R is from 9 to 20. In further embodiments, the ratio N/R is from 14 to 16. The table below shows additional examples of solidity and the ratio N/R for different numbers of propulsor blades 74.

TABLE

Number of Blades, Solidity and Ratio N/R		
Number of Blades (N)	Solidity	Ratio N/R
20	1.3	15.4
18	1.3	13.8
16	1.3	12.3
14	1.3	10.8
12	1.3	9.2
20	1.2	16.7
18	1.2	15.0
16	1.2	13.3
14	1.2	11.7
12	1.2	10.0
20	1.1	18.2
18	1.1	16.4
16	1.1	14.5
14	1.1	12.7
12	1.1	10.9
20	1.0	20.0
18	1.0	18.0
16	1.0	16.0
14	1.0	14.0
12	1.0	12.0

The disclosed ratios of N/R enhance the overall propulsive efficiency and fuel burn of the disclosed engine **20**. For instance, the disclosed ratios of N/R are designed for the geared turbo fan architecture of the engine **20** that utilizes the gear assembly **48**. That is, the gear assembly **48** allows the propulsor **42** to rotate at a different, lower speed than the low speed spool **30**. In combination with the variable area nozzle **64**, the propulsor **42** can be designed with a large diameter and rotate at a relatively slow speed with regard to the low speed spool **30**. A relatively low speed, relatively large diameter, and the geometry that permits the disclosed ratios of N/R contribute to the reduction of performance debits, such as by lowering the speed of the air or fluid that passes over the propulsor blades **74**.

The propulsor blades **74** can include a carbon-fiber reinforced polymer matrix material, an example portion of which is depicted in FIG. 3 at **86**. In this example, the material **86** includes carbon fibers **86a** that are disposed in a polymer matrix **86b**. The propulsor blades **74** can be formed exclusively of the material **86** or partially of the material **86** in combinations with alloys or other fiber-reinforced materials.

The material **86** can include a plurality of carbon fiber layers **88** that are stacked and consolidated to form the material **86**. For example, the fiber layers **88** can each have uni-directionally oriented fibers and the layers **88** can be cross-plyed. In further examples, one or more of the layers **88** has a different fiber structure, such as but not limited to, random fiber orientation, woven, or three-dimensional. An example two-dimensional woven fiber structure is depicted in FIG. 4. An example three-dimensional fiber structure is depicted in FIG. 5. In this example, the fibers **86a** are woven into sheets **90**, and transverse fibers **86c** bundle the sheets **90** to one another. As can be appreciated, other two- or three-dimensional fiber structures could alternatively or additionally be used.

The polymer matrix **86b** can include thermoplastic polymer, thermoset polymer, or combinations thereof. Thermoset polymers can include, but are not limited to, epoxy and phenolic. Thermoplastic polymers can include, but are not limited to, polyethers and polyimides.

The carbon fibers **86a** provide the material **86** with strength and stiffness. For example, the properties of the carbon fibers **86a** can be selected in accordance with desired

properties of the material **86**, and thus desired properties of the propulsor blades **74**. In one example, the carbon fibers **86a** are polyacrylonitrile or polyacrylonitrile-based. The fibers are initially with polyacrylonitrile fibers and are then graphitized. Alternatively, the fibers are initially thermoplastic fibers that are then graphitized. Thermoplastics can include, but are not limited to, polyethylene, polyarylether, and poly ether ketones. In further examples, the carbon fibers **86a** have an average diameter of 1-100 micrometers. Alternatively, the carbon fibers **86a** are nano-sized and have a diameter of less than 1 micrometer. In other examples, the carbon fibers **86a** are carbon-containing such that the fibers include carbon as a primary constituent or element. In one example, the carbon fibers **86a** are carbide.

FIG. 6 illustrates a cross-sectional view of another example propulsor blade **174**, which may include any of the aforementioned features. In this disclosure, like reference numerals designate like elements where appropriate and reference numerals with the addition of one-hundred or multiples thereof designate modified elements that are understood to incorporate the same features and benefits of the corresponding elements. In this example, the propulsor blade **174** includes a distinct core **174a** that supports a skin **174b** of the carbon-fiber reinforced polymer matrix material **86**. In this example, the core **174a** is a solid piece, but it alternatively can be hollow to reduce weight.

The core **174a** can be formed of a metallic material, a fiber reinforced polymer matrix material, or combinations thereof. An example metallic material includes a titanium-based alloy. The fiber reinforced polymer matrix material can include carbon fiber, as in any of the examples of the material **86**. Alternatively, the fibers in the core **174a** are non-carbon fibers. Example non-carbon fibers can include, but are not limited to, glass fibers, metallic fibers, ceramic fibers, polymeric fibers, and combinations thereof.

In further examples, the core **174** is formed of a fiber-reinforced material that is different in composition from the material **86** of the skin **174b**. The difference in composition can be in the kinds of polymers of the matrices, the kinds of fibers, the amounts of the polymer matrices, the amounts of the fibers, or any combination of such differences.

In further examples, the skin **174b** is the multi-layered structure of the material **86**. For example, layers **88** are laid-up on or around the core **174a** and then consolidated. Alternatively, the skin **174b** is a continuous sleeve. The core **174a** is inserted into the sleeve and then the skin **174b** is consolidated. In one further example, the material **86** of the sleeve has a three-dimensional fiber structure.

FIG. 7 illustrates another example propulsor blade **274** that is formed of the material **86**. In this example, the propulsor blade **274** also includes a sheath **275** on a leading edge of the blade. For example, the sheath **275** protects the propulsor blade **274** from foreign object impact. In one example, the sheath **275** is formed of a metallic material. The metallic material can include, but is not limited to, a titanium-based alloy, a cobalt-based alloy, or combinations thereof. In further examples, the sheath **275** is multi-layered and includes at least one layer of a metallic material. One or more additional layers can include a layer of a metallic material of a different composition, a layer of a polymer-based material, or combinations thereof.

The sheath **275** is secured to the leading edge of the propulsor blade **274**. In this regard, the sheath **275** can be bonded using an adhesive, mechanically attached to the blade, or secured by a combination of adhesive bonding and mechanical attachment.

In a further example, the propulsor blade **274** includes a first distinct region **289a** (outside of dashed line region) of carbon-fiber reinforced polymer matrix material **86** and a second distinct region **289b** (inside dashed line region) of a non-carbon-fiber reinforced polymer matrix material. The non-carbon fibers can include, but are not limited to, glass fibers, aramid fibers, boron fibers, carbide fibers, or combinations thereof. The second distinct region **289b** of non-carbon-fiber reinforced polymer matrix material provides the ability to locally tailor the performance of the propulsor blade **274** with regard to properties. For example, the vibrational properties are locally tailored through selection of the properties of the second distinct region **289b** to control vibration or control response to an impact event.

FIG. **8** illustrates selected portions of the fan section **22** of the engine **20**, including the case **43** and a portion of one of the propulsor blades **74**. The case **43** serves as a containment structure in the case of a blade release event. For example, the case **43** includes a fiber reinforced polymer matrix material **45**. The material **45** includes fibers **45a** that are disposed in a polymer matrix **45b**. The fibers **45a** can be carbon fibers or non-carbon fibers. Non-carbon fibers can include, but are not limited to, glass fibers, aramid fibers, or combinations thereof. In one example, the material **45** includes a plurality of fiber layers **45c** that are stacked and consolidated to form the material **45**. For example, all of the layers **45c** have the same kind of fibers. In other examples, alternating layers **45c**, or an alternating pattern of layers **45c**, have different kinds of fibers, one of which is carbon fibers.

In further examples, the carbon-fiber reinforced polymer matrix material **86** of the propulsor blades **74** is different from the carbon-fiber reinforced polymer matrix material **45** of the case **43** with respect to composition. The difference in composition can be in the kinds of polymers of the matrices, the kinds of fibers, the amounts of the polymer matrices, the amounts of the fibers, or any combination of such differences. Further, the differences can be tailored for thermal conformance between the propulsor blades **74** and the case **43**.

FIG. **9** illustrates another example case **143** that includes a layer of the material **45** adjacent a layer **147**. The layer **147** can be a layer of carbon-fiber reinforced polymer matrix material, non-carbon-fiber reinforced polymer matrix material, or metallic material, such as in a honeycomb or acoustic structure.

Although a combination of features is shown in the illustrated examples, not all of them need to be combined to realize the benefits of various embodiments of this disclosure. In other words, a system designed according to an embodiment of this disclosure will not necessarily include all of the features shown in any one of the Figures or all of the portions schematically shown in the Figures. Moreover, selected features of one example embodiment may be combined with selected features of other example embodiments.

The preceding description is exemplary rather than limiting in nature. Variations and modifications to the disclosed examples may become apparent to those skilled in the art that do not necessarily depart from the essence of this disclosure. The scope of legal protection given to this disclosure can only be determined by studying the following claims.

What is claimed is:

1. A gas turbine engine comprising:
a gear assembly;
a bypass flow passage, the bypass flow passage including an inlet and an outlet which define a design pressure ratio with regard to an inlet pressure at the inlet and an

outlet pressure at the outlet at a design rotational speed of the engine, the design pressure ratio being between 1.3 and 1.55;

a fan arranged within the bypass flow passage;
a first shaft and a second shaft;
a first turbine coupled with the fan through the first shaft and the gear assembly; and
a second turbine coupled with the second shaft;
wherein the fan includes a hub and a row of fan blades that extend radially outwardly from the hub and the row includes a number (N) of the fan blades that is from 12 to 16, a solidity value (R) at tips of the fan blades that is from 1.0 to 1.3, and a ratio of N/R that is from 10.0 to 16.

2. The gas turbine engine as recited in claim 1, wherein the second turbine is a 2-stage turbine.

3. The gas turbine engine as recited in claim 2, further comprising a first compressor located between the first turbine and the gear assembly.

4. The gas turbine engine as recited in claim 3, wherein the first compressor is a 3-stage compressor and is coupled with the first shaft.

5. The gas turbine engine as recited in claim 3, wherein the number (N) of fan blades is 16, and the solidity value (R) at the tips of the fan blades is from 1.0 to 1.2.

6. The gas turbine engine as recited in claim 3, wherein the number (N) of fan blades is 14, and the solidity value (R) at the tips of the fan blades is from 1.0 to 1.1.

7. The gas turbine engine as recited in claim 2, further comprising a variable area nozzle, and wherein each fan blade is fixed in position between the hub and the tip.

8. The gas turbine engine as recited in claim 7, wherein the design pressure ratio is defined with the variable area nozzle fully open.

9. The gas turbine engine as recited in claim 6, wherein the fan blades include a carbon-fiber reinforced polymer matrix material.

10. The gas turbine engine as recited in claim 9, wherein the fan blades further include a three-dimensional fiber structure.

11. The gas turbine engine as recited in claim 10, wherein the carbon-fiber has an average diameter of 1-100 micrometers.

12. The gas turbine engine as recited in claim 9, further comprising a case surrounding the fan, the case including a carbon-fiber reinforced polymer matrix material.

13. The gas turbine engine as recited in claim 12, wherein the case further includes glass fiber, aramid fiber, or combinations thereof.

14. The gas turbine engine as recited in claim 13, wherein the carbon-fiber reinforced polymer matrix material of the fan blades and the carbon-fiber reinforced polymer matrix material of the case each include a polymer and a fiber, and the carbon-fiber reinforced polymer matrix material of the fan blades is different from the carbon-fiber reinforced polymer matrix material of the case in one or more of the kinds of polymers of the matrices, or the kinds of fibers.

15. The gas turbine engine as recited in claim 3, wherein the number (N) of fan blades is 12, and the solidity value (R) at the tips of the fan blades is from 1.0 to 1.1.

16. A gas turbine engine comprising:
a gear assembly;
a bypass flow passage and a core flow passage, the bypass flow passage including an inlet;
a fan arranged within the bypass flow passage;
a first shaft and a second;

9

a first turbine coupled with the fan through the first shaft and the gear assembly; and
 a second turbine coupled with the second shaft, wherein the second turbine is a 2-stage turbine;
 wherein the fan includes a hub and a row of fan blades that extend from the hub, and the row includes a number (N) of the fan blades that is from 14 to 16, a solidity value (R) at tips of the fan blades that is from 1.0 to 1.3, and a ratio of N/R that is from 11.7 to 16.

17. The gas turbine engine as recited in claim 16, wherein the number (N) of fan blades is 16, the solidity value (R) at the tips of the fan blades is from 1.0 to 1.2.

18. The gas turbine engine as recited in claim 17, wherein the bypass flow passage further includes an outlet, the inlet and the outlet define a design pressure ratio with regard to an inlet pressure at the inlet and an outlet pressure at the outlet at a design rotational speed of the engine, and the design pressure ratio is between 1.3 and 1.55.

19. The gas turbine engine as recited in claim 18, wherein the design pressure ratio is between 1.3 and 1.4.

20. The gas turbine engine as recited in claim 16, further comprising a first compressor located between the first turbine and the gear assembly, and wherein the number (N) of fan blades is 14, and the solidity value (R) at the tips of the fan blades is from 1.0 to 1.1.

21. The gas turbine engine as recited in claim 20, further comprising a case surrounding the fan, wherein:

- the case includes a carbon-fiber reinforced polymer matrix material;
- the fan blades include a carbon-fiber reinforced polymer matrix material with the carbon- fiber having an average diameter of 1-100 micrometers; and

10

the carbon-fiber reinforced polymer matrix material of the fan blades and the carbon-fiber reinforced polymer matrix material of the case each include a polymer and a fiber, and the carbon- fiber reinforced polymer matrix material of the fan blades is different from the carbon-fiber reinforced polymer matrix material of the case in one or more of the kinds of polymers of the matrices, or the kinds of fibers.

22. A gas turbine engine comprising:

- a gear assembly;
 - a bypass flow passage and a core flow passage;
 - a fan arranged within the bypass flow passage;
 - a first shaft and a second shaft;
 - a first turbine coupled with the fan through the first shaft and the gear assembly; and
 - a second turbine coupled with the second shaft, wherein the second turbine is a 2-stage turbine;
- wherein the fan includes a hub and a row of fan blades that extend radially outwardly from the hub, and the row includes a number (N) of the fan blades that is from 12 to 14 and a solidity value (R) at tips of the fan blades that is from 1.0 to 1.2.

23. The gas turbine engine as recited in claim 22, wherein a ratio of N/R is from 10.9 to 14.0.

24. The gas turbine engine as recited in claim 23, wherein the number (N) of fan blades is 12.

25. The gas turbine engine as recited in claim 23, wherein the number (N) of fan blades is 14, and the ratio of N/R is from 12.7 to 14.0.

* * * * *