



# **Volatiles Loss from water bearing regolith simulant at Lunar Environments**

**Julie Kleinhenz**

NASA Glenn Research Center

**Jim Smith**

NASA Kennedy Space Center

**Ted Roush & Anthony Colaprete**

NASA Ames Research Center

**Kris Zacny, Gale Paulsen, & Alex Wang**

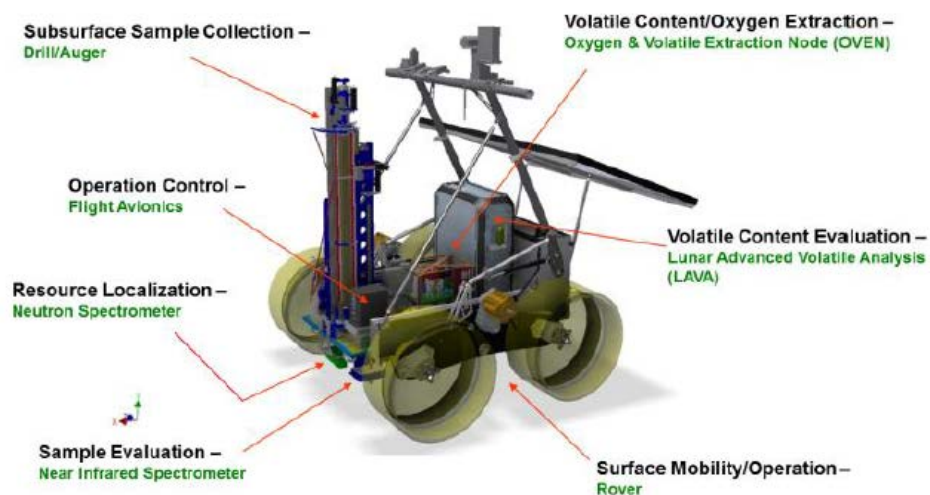
Honeybee Robotics Spacecraft Mechanisms

**Aaron Paz**

NASA Johnson Space Center

# Lunar Polar Volatiles

- Permanently shadowed craters at the lunar poles contain water, ~5 wt% according to LCROSS
- Interest in water for ISRU applications
- Desire to ‘ground truth’ water using surface prospecting
  - e.g. Resource Prospector (RP) & RESOLVE
- How to access subsurface water resources and accurately measure quantity
  - Excavation operations and exposure to lunar environment may affect the results

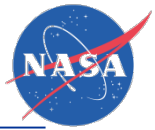




## Volatile capture tests

- A series of ground based dirty thermal vacuum tests are being conducted to better understand the subsurface sampling operations
  - Sample removal and transfer
  - Volatiles loss during sampling operations
  - Concept of operations
  - Instrumentation
- This presentation covers:
  - The capabilities of the VF-13 Thermal Vacuum Chamber (TVAC)
  - The Resource Prospector TVAC hardware
  - The summary and results of 5 years of RP volatiles tests
    - 43 viable samples

# Planetary Surface Simulation Facility



**Dedicated 'dirty' thermal vacuum chamber operated with up to 1-ton of lunar soil simulant**

## Dimensions

- Maximum internal volume of 6.35 m<sup>3</sup>
- Internal dimensions: 3.6 m tall, 1.35 m diameter with cold wall, 1.5 m without cold wall
  - Fixed base 1.08 m deep + Removable cap 2.52 m tall

## Thermal capability

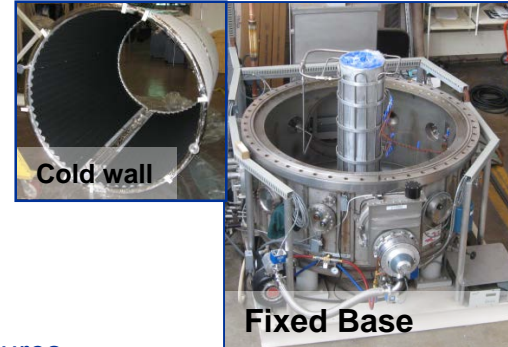
- Removable cold wall in cap (top 2.5 m of chamber)
  - Temperature control from ambient to liquid nitrogen temperatures
  - 2 semi circular halves, independently controlled to achieve temperature gradients
  - Minimum temperature 80K (liquid nitrogen cooled)
- Fixed base has separate Liquid Nitrogen cooling, independent of cold wall
  - Supports cooling of soil bin (existing bin is 0.278 m diameter, 1.2 m tall)
- Liquid nitrogen is supplied from a 55,000 gallon dewar

## Vacuum capability

- Achievable pressure on the order of 10<sup>-6</sup> Torr, with soil
- Variety of customizable electrical and mechanical feed-throughs
- Four vacuum pumps to accommodate range of pressure regimes and pump rates
- Ports available for gas feed from portable bottles, to achieve customizable pressures and gas compositions (e.g., Mars environment)

## Facility operation

- PLC control software allows for unattended operation for majority of pump down and cooling
- Customizable digital data acquisition system supporting over 80 channels
- Internal cameras for optical access



Cap lowered over cold wall

# VF13

## Planetary Surface Simulation Facility



### Planetary Soil Simulants

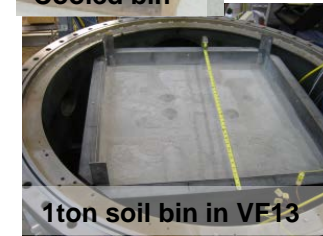
- Available bin sizes
  - Square bin: 1 m<sup>3</sup> holds 800 kg of soil simulant
  - Cylindrical Cooled bin: 0.278 m diameter, 1.2 m tall, holds 100 kg of simulant
    - Can be instrumented with 15 thermocouples embedded in the soil
- Two bins of each size so that one can be prepared while other is tested
- Variety of simulants currently at GRC: LHT3m, JSC1A, Chenobi, GRC3, GRC1
- Preparation in SLOPE lab to accommodate large quantities of soil
  - Preparation can include: compaction (vibrational), moisture control (drying/wetting)

### Available Test-Support Hardware

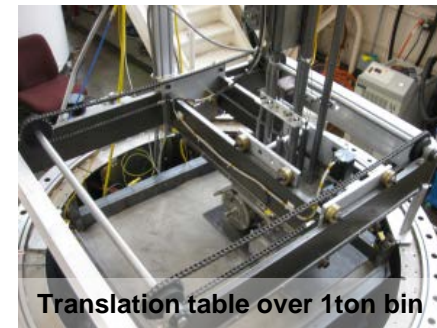
- Robotic Translation Table to position hardware above soil bin
  - Enables lateral motion of research hardware to reach different locations on the soil bed surface
  - Separate control of X and Y directions, manual control
- Drill system
  - Simple 2 motor drive system can accommodate a 1 m tall drill tool
  - Mounted to translation table for multiple drill holes in the same bin
  - Encoders for feedback of rotation rate and drill depth



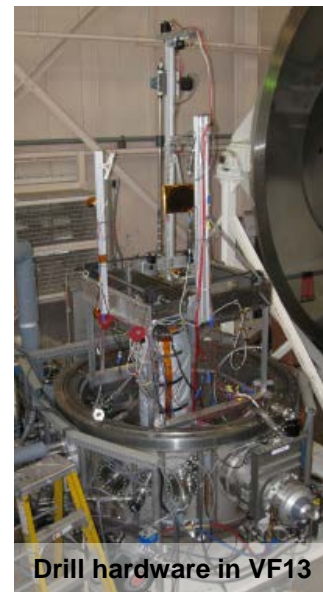
Cooled bin



1ton soil bin in VF13

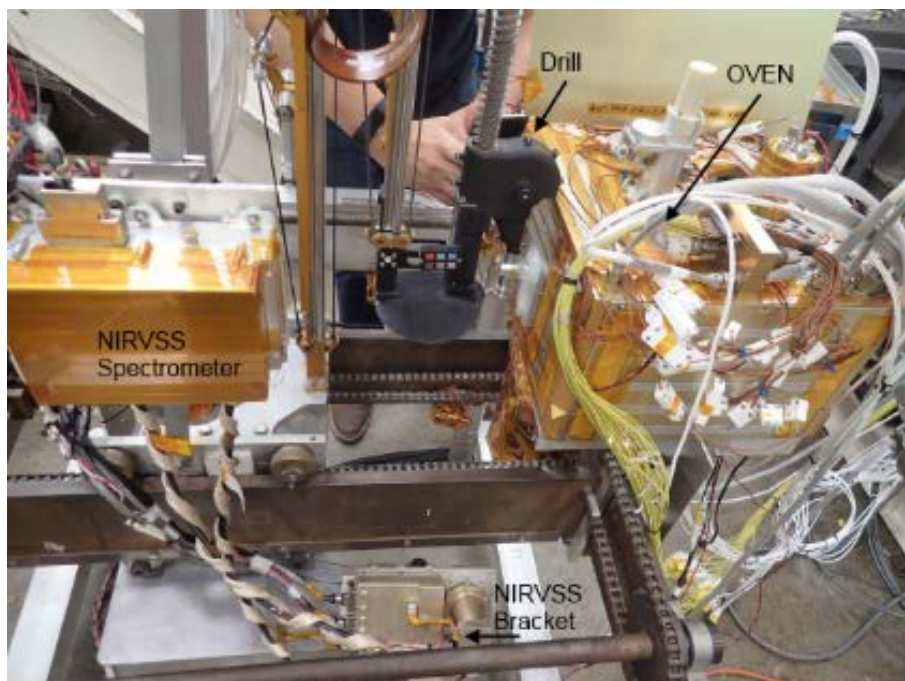


Translation table over 1ton bin



Drill hardware in VF13

# Resource Prospector: TVAC Hardware



OVEN Configuration (2017)



SCM Configuration (2016)

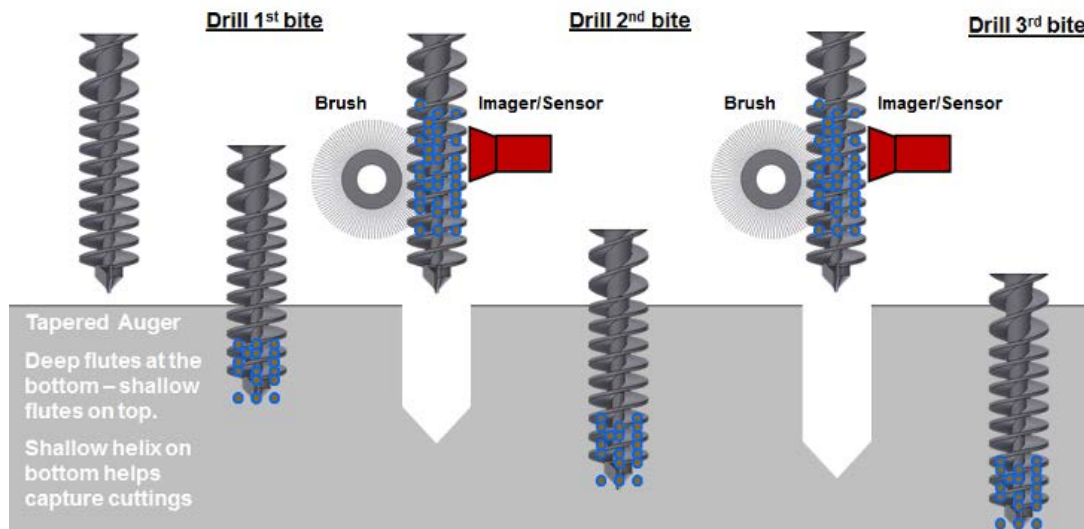
**Drill:** Sample retrieval

**NIRVSS:** Soil surface assay

**OVEN or SCMs:** Sample containment for analysis

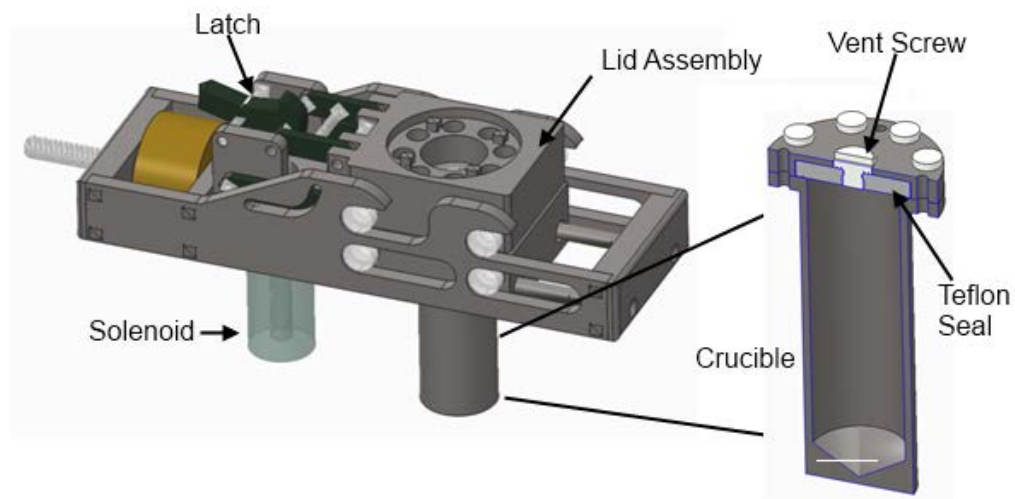
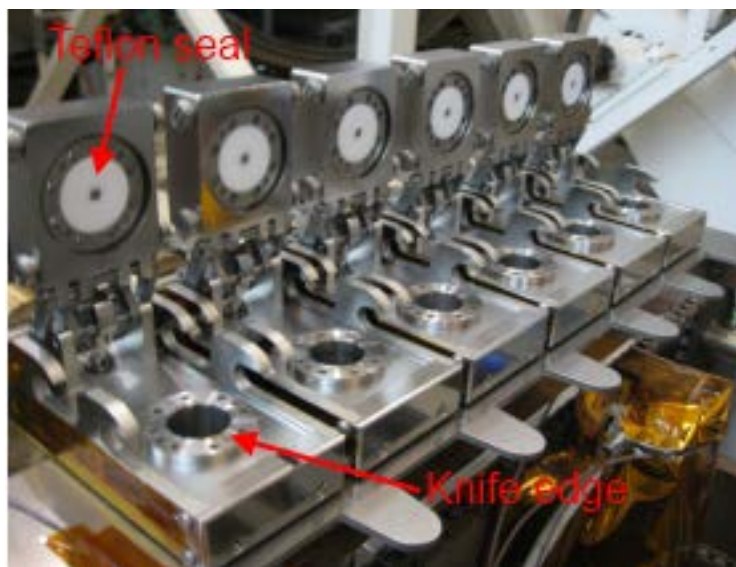
# Lunar Prospector Drill

- Developed by Honeybee Robotics, and based on the Mars Icebreaker drill
- 100cm long, 2.5cm diameter auger
  - 10cm sample section has wider flutes at high pitch to capture granular material
  - Progressive "Bite sampling" approach to drilling
    - Retains depth stratigraphy of the holes
    - Less material conveyed to surface, less chance of stuck bit
- Sample delivery mechanism
  - Deployed to surface as stabilizing foot
  - Fully contains the 10cm sample when auger retracted
  - Passive brush that rotates as auger spins past. Material brushed off auger and through funnel for collection
- Actuators: Percussion, deployment Z-stage, Drill Z-stage, Auger rotation



# Sample Capture Mechanisms (SCM)

- Capture soil from the auger and seal at vacuum conditions to retain volatiles
- Stepper motor actuated, spring driven mechanism with a knife edge-to-teflon seal, 100lbf clamp force
- Sealed 18ml crucibles easily removed for sample analysis
- 6 Sample Capture Mechanisms in each test for multiple samples.





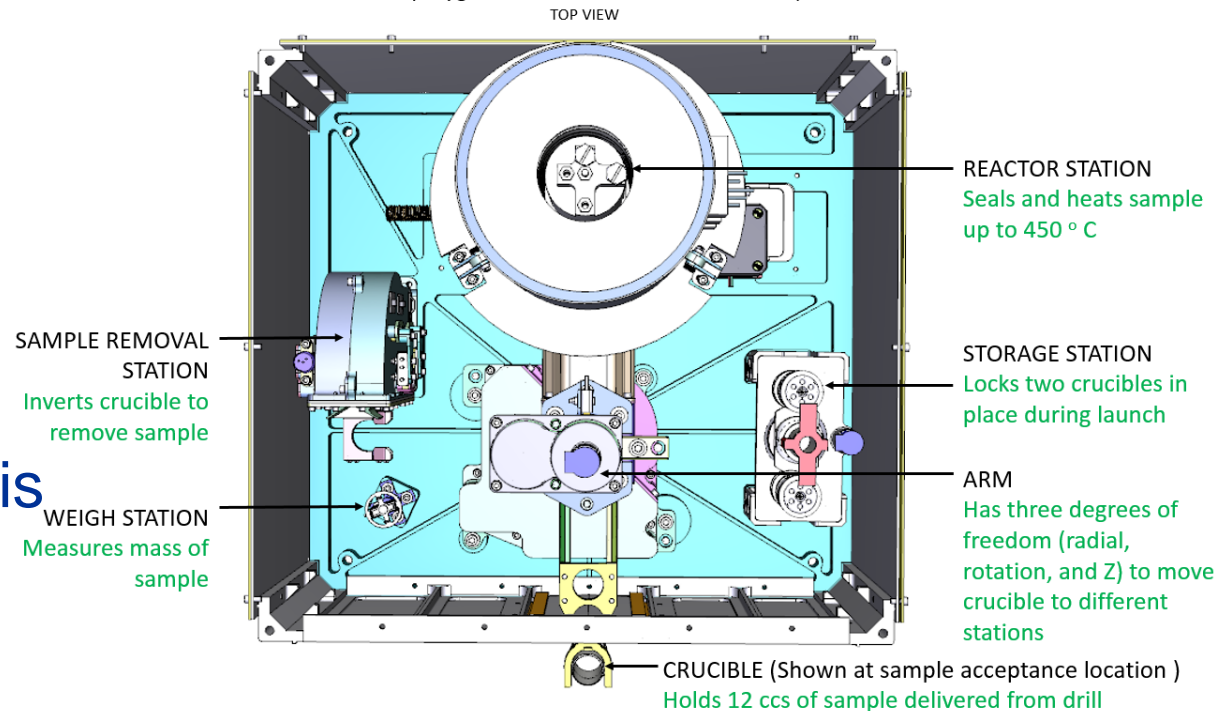
# RP Sample retrieval



# Oxygen and Volatile Extraction Node (OVEN)

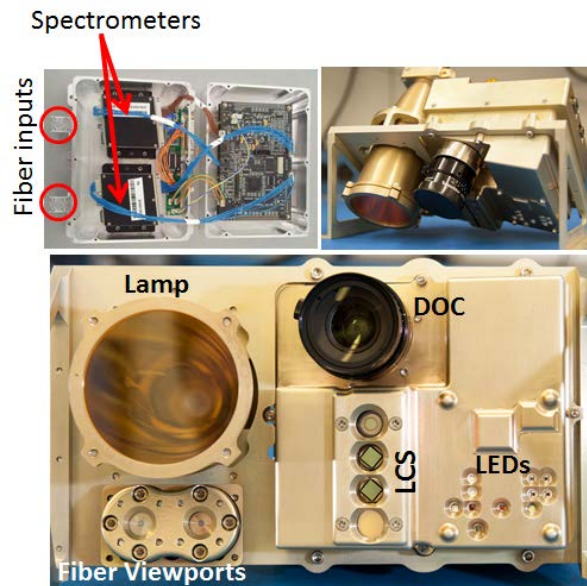
- Carousel system designed to reuse 12cc crucibles for sample capture and volatile evolution
  - Seal, Weigh, Heat, Dispose
  - Volatile analysis in downstream spectrometer, not available in TVAC

- TVAC alteration:
  - Sample capture
  - Seal
  - Store
- Sealed samples removed for analysis
  - Break vacuum to replace crucible



# Near Infrared Volatiles Spectrometer Subsystem (NIRVSS)

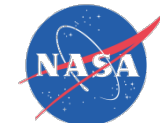
- Views soil surface and drill cutting pile to evaluate surface water profile
- Components include:
  - Observation camera
  - Illumination sources (Lamp & LEDs)
  - Low wavelength Calibration Sensor
  - 2 Near Infrared Spectrometers (Fiber optic)





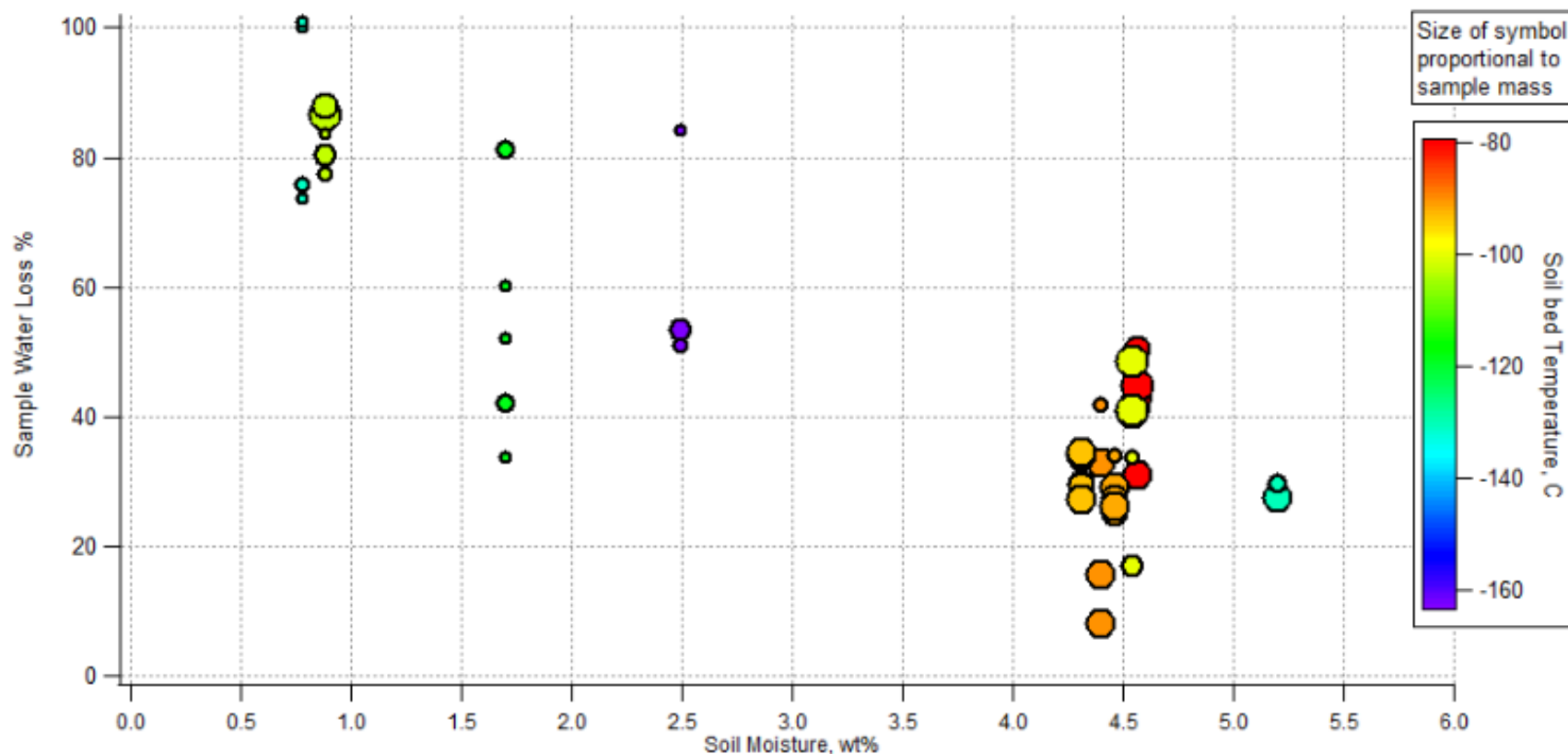
# Variables

Variable	Target	Actual conditions
Pressure	minimize	Average $4e^{-6}$ Torr Median $3e^{-6}$ Torr Range: $2e^{-5}$ Torr to $1.5e^{-6}$ Torr
Cold Wall Temperature	$-50^{\circ}\text{C}$ or $-170^{\circ}\text{C}$ (sunlight surface or cold as possible)	$-50^{\circ}\text{C}$ or $-170^{\circ}\text{C}$
Soil Temperature	$\leq -100^{\circ}\text{C}$	$-80^{\circ}\text{C}$ to $-160^{\circ}\text{C}$ (all but 3 under $-100^{\circ}\text{C}$ )
Soil Moisture	0.5 wt% to 5 wt%	4 test w/ 5 wt% 2 tests w/ 2.5 wt% 2 tests w/ 0.8 wt%. 2 tests w/ alternating layers of 5 wt% and 0.5 wt%
Crucible temperature	$-20^{\circ}\text{C}$ to $+20^{\circ}\text{C}$	SCMS: $-20^{\circ}\text{C}$ or $+10^{\circ}\text{C}$ OVEN: $\sim +20^{\circ}\text{C}$
Exposure Time	minimize	$\sim 15$ min to retrieve sample 5 min to fill crucible
Sample size	15 g	Average 12 g Median 14 g Range: 3.3 g to 20.7 g



# Results

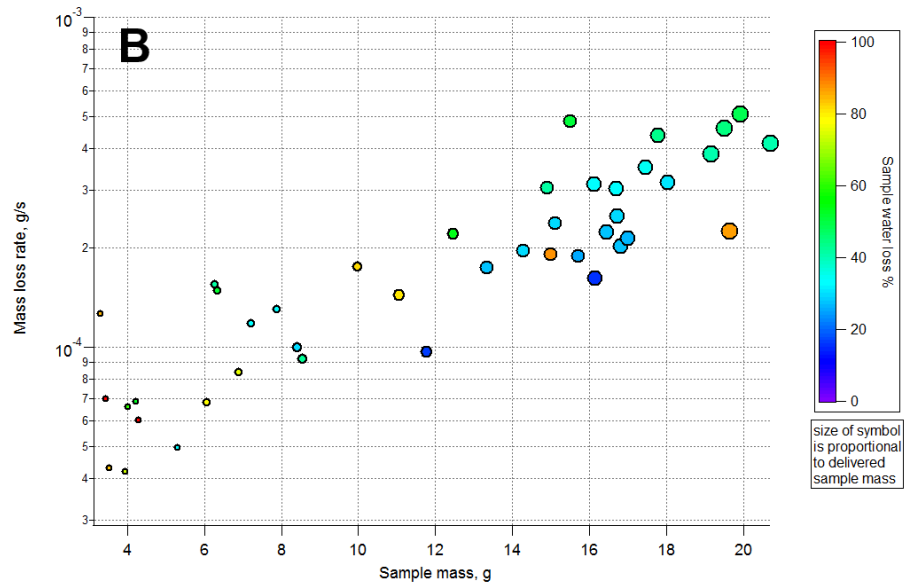
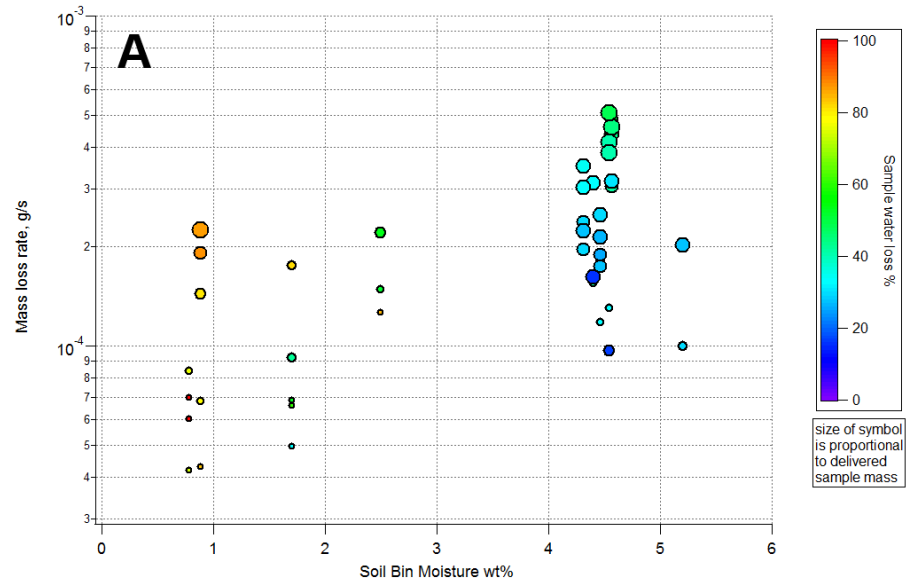
- The sampling process had a greater impact on drier soil beds:
  - Average loss for 5% bed: 30%
  - Average loss for 0.8% bed: 80%
- If the sublimation rate is consistent, then for same exposure time a sample with lower moisture will lose a greater percentage





# Results: Mass loss

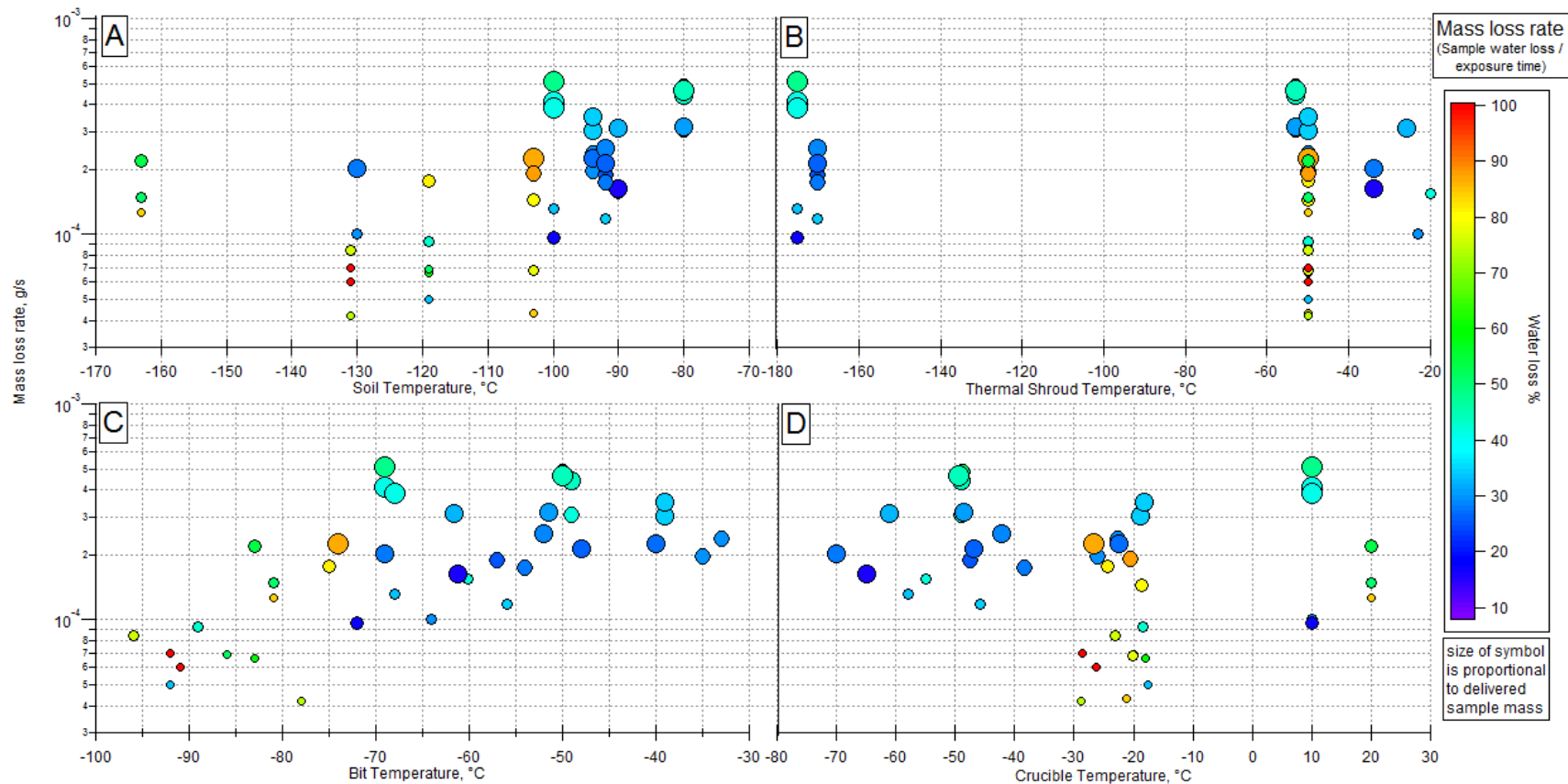
- Sample mass loss divided by exposure time (out of hole) to get mass loss rates
- Total sample mass (symbols) correlates strongly with loss rate
  - Smaller samples have slower loss rate
  - For samples of similar size, loss rates are similar, regardless of starting moisture content





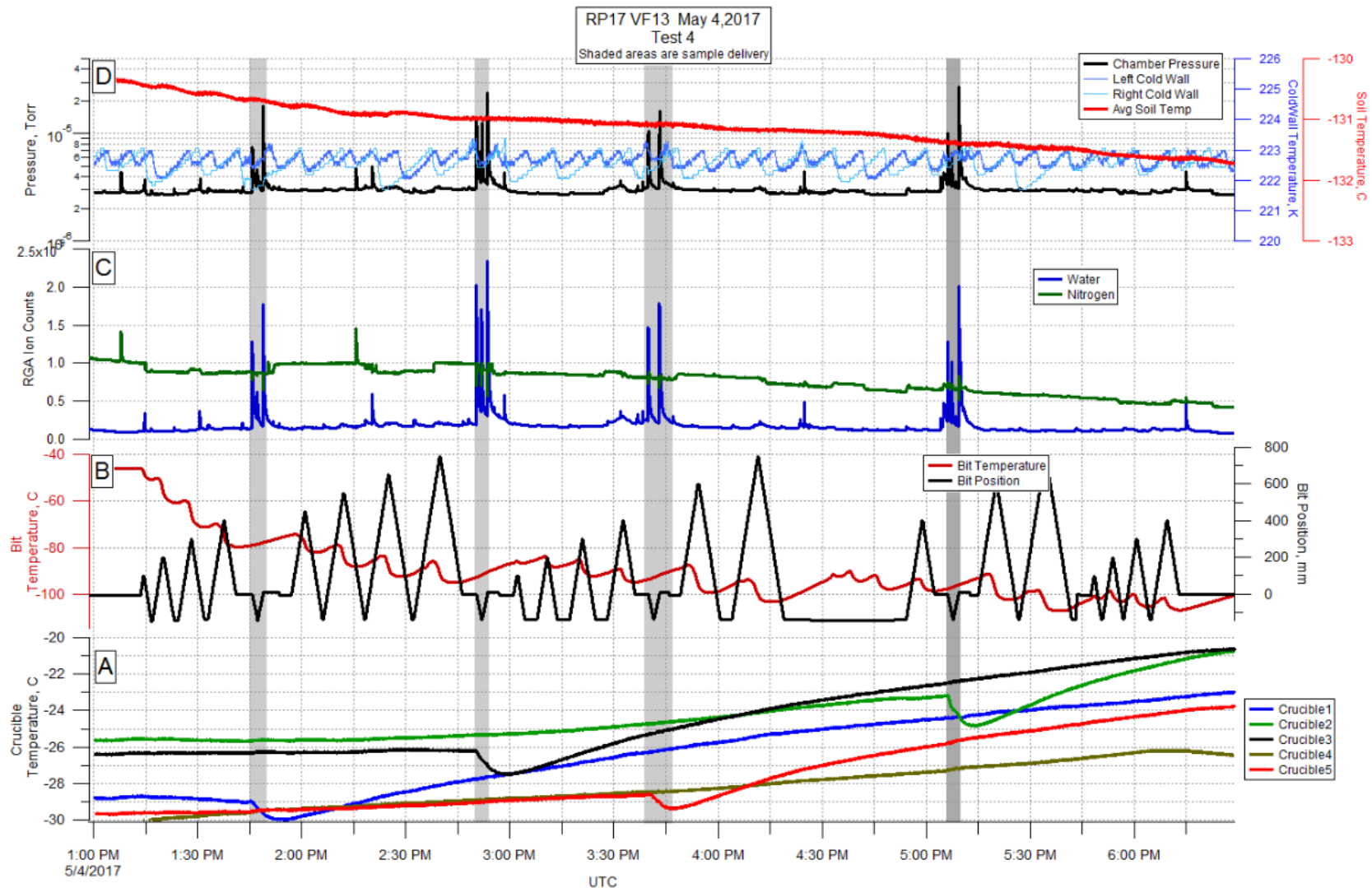
# Results: sublimation driver

- Assuming the loss rates correlate with sublimation rate, what is the driving factor?
- Pressure is similar for all tests, which leaves temperature
- Which temperature? Samples exposed to several temperatures before delivery.





# Results: RGA, When is the water lost?







## Conclusions

- VF-13 is a 6.35 m<sup>3</sup> dirty thermal vacuum chamber available for testing with simulants at lunar or Martian conditions.
- Volatiles loss tests for Resource Prospector (RP) have been conducted in VF-13 for 5 years
  - Volatiles loss during drill sampling and transfer operations
  - 3 RP subsystems integrated in these tests
  - 43 viable simulant samples have been analyzed
- The complexity of the sampling process (number of variables, exposure variability, etc) have made definitive conclusion challenging
  - Mass loss rates have consistency for similar sample size, but scatter cannot be correlated to temperature conditions
  - Analytical correlations to sublimation rates at temperature and pressure are not sufficient for correlation.
- Mass spectrometer data shows majority of water loss occurs during 'brushing' operation, when the sample is agitated upon delivery to crucible