

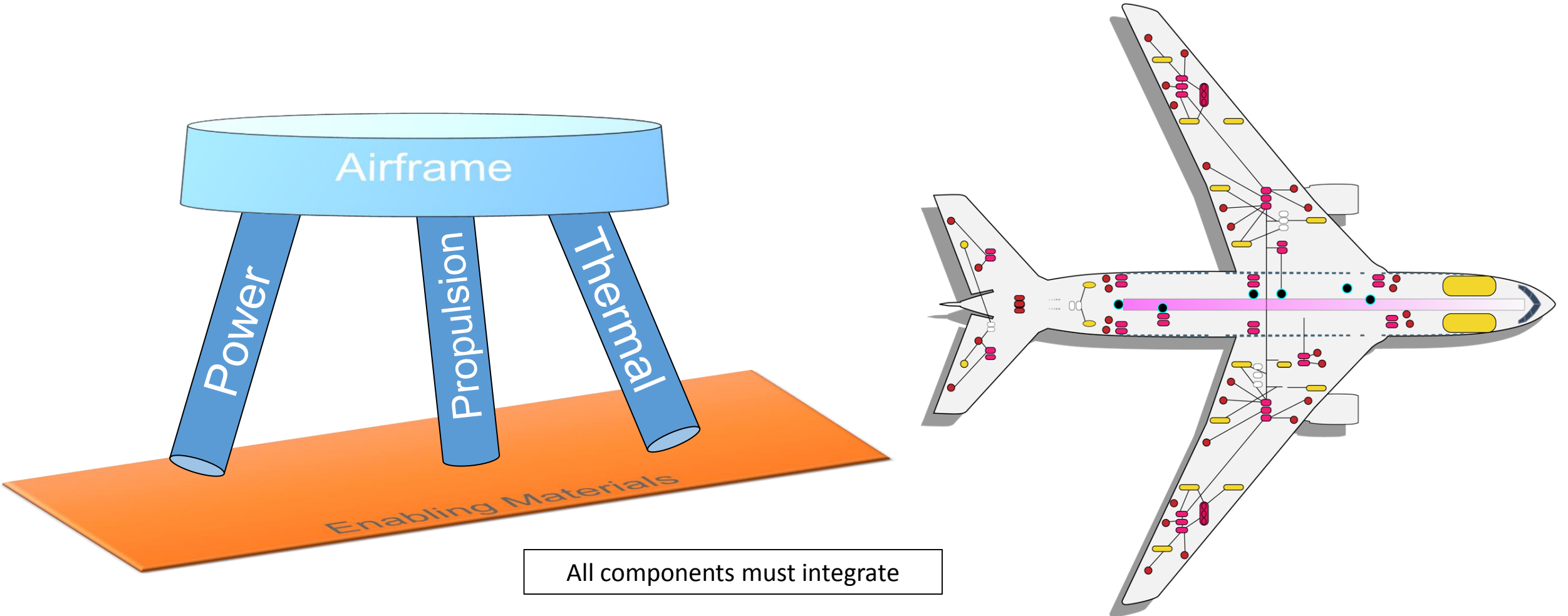


Novel Thermal Energy Conversion Technologies for Advanced Electric Air Vehicles

July 12, 2018

Dr. Rodger Dyson
Hybrid Gas Electric Propulsion Technical Lead
NASA Glenn Research Center

Power, Propulsion, Thermal, Airframe Integration



Basic Building Block for Electric Aircraft: Thermo-Acoustic Engine and Heat Pumping



KEY PROPERTIES

Can be used for thermal energy conversion:

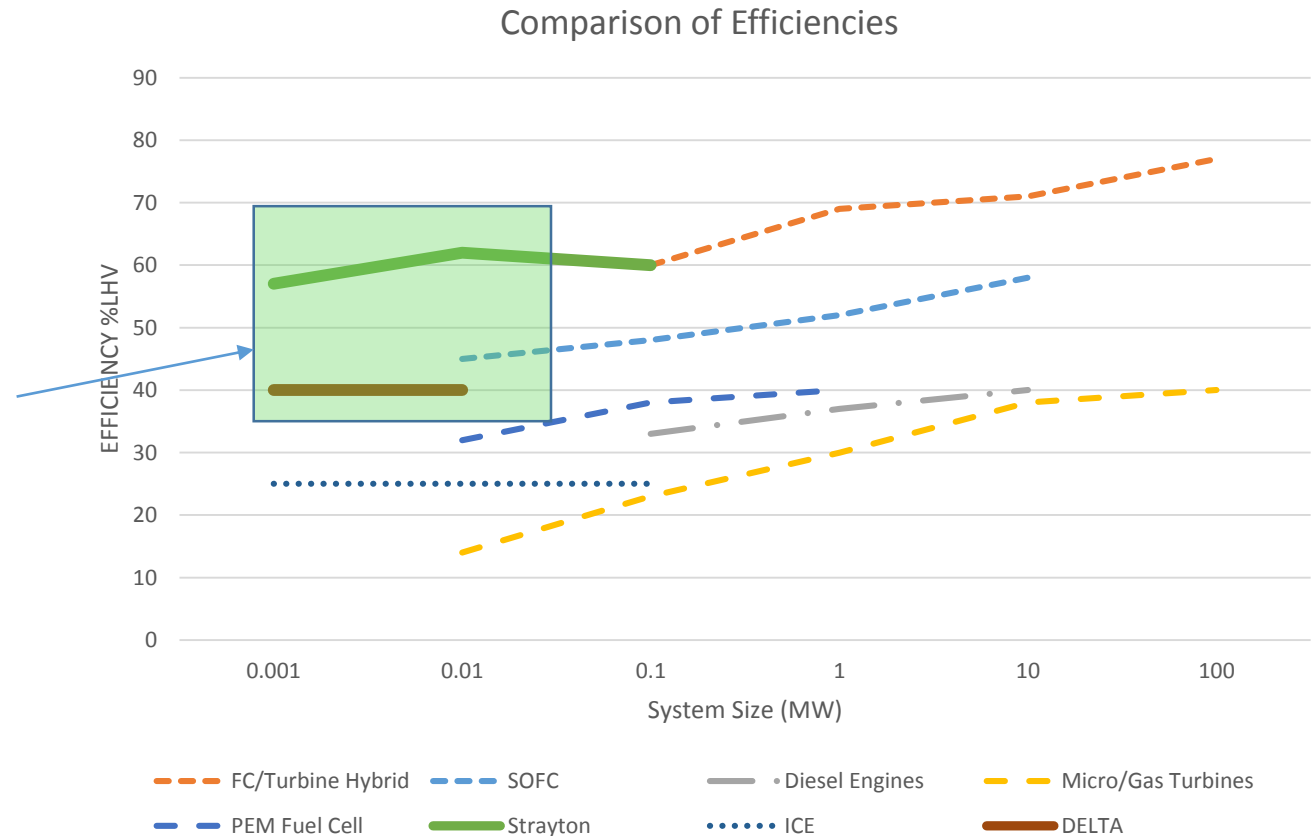
- From heat to mechanical power
- From mechanical power to cooling
- From heat to heat pump when used in double configuration shown

Power Options

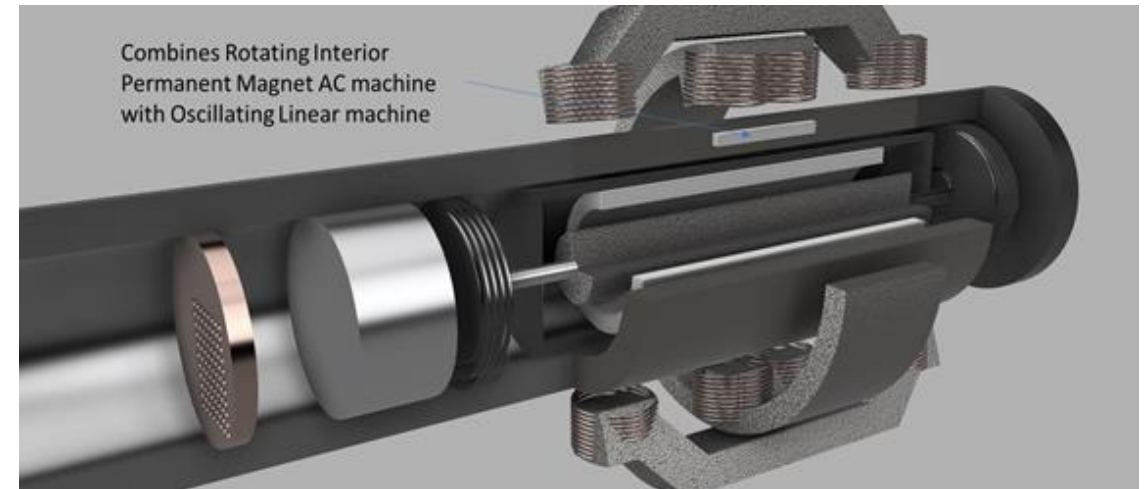
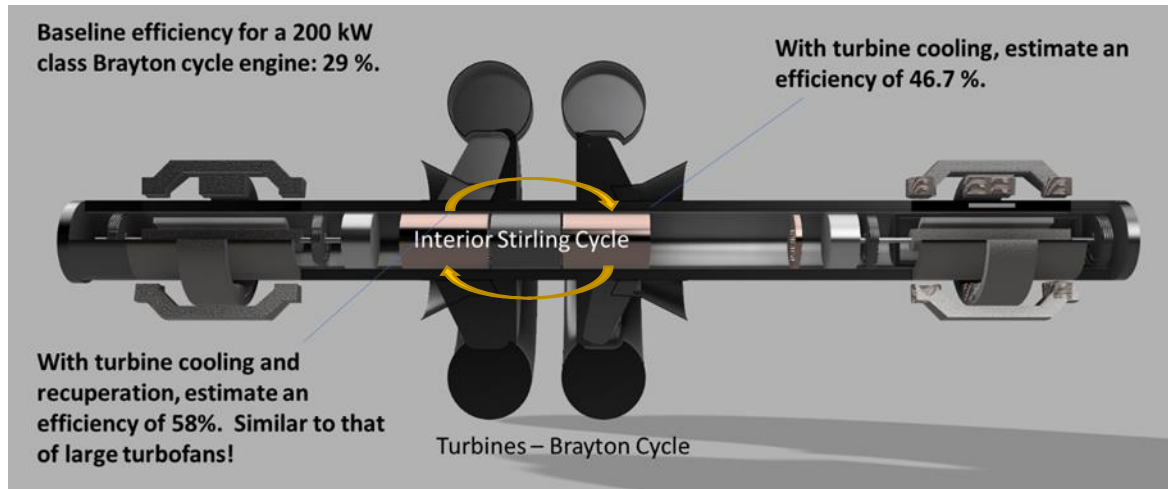
- FC/Turbine Hybrid
- PEM/SOFC
- Micro/Gas turbines
- Diesel
- ICE
- **DELTA**
- **Strayton**

Region of Interest

Technology	Net System AC Power (kW)	Net Fuel LHV to AC Electric Power Conversion Efficiency	Full Production Equipment Manufacturing Cost \$ per W	System Maintenance Cost \$/kwh	System Availability Percent	System Life (yrs)
Ideal	>100	>70	<0.9	0.02	>95	>20
SOFC-GT	>100	>70	<4	<1	>95	>5
Strayton Fuel Cell	>100	>50	<0.05	<0.02	>95	>20
μ -Turbine	<300	>20	<1	<0.1	>95	<5
ICE OTTO	>100	>25	<0.05	<0.03	>95	<10
Gas Turbine	>1000	>40	<0.5	<0.1	>95	<5



Stirling and Brayton (Strayton) Engine Genset



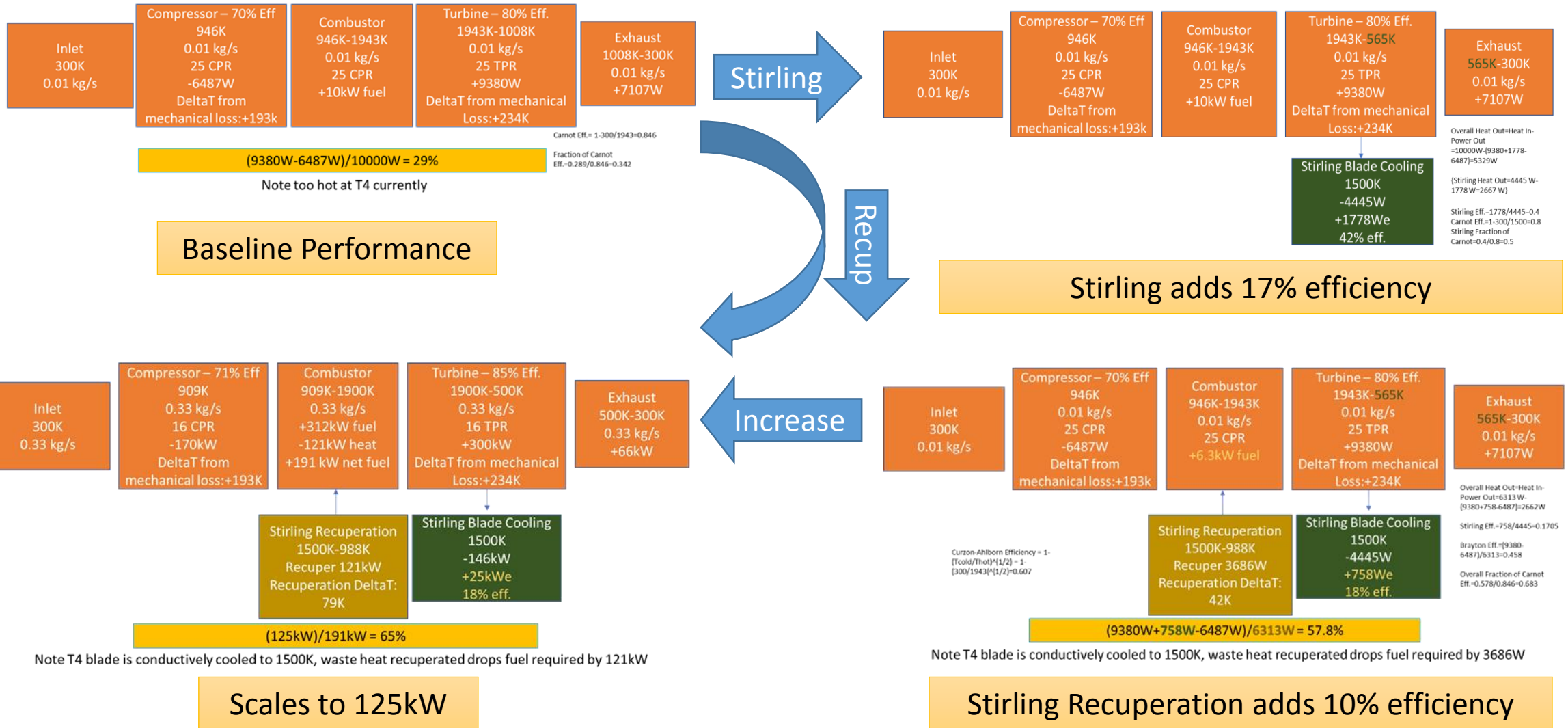
Key Features

- Combines Stirling and Brayton cycles synergistically for <2MW high efficiency and specific power
- Provides both topping and bottoming cycles using a Brayton and Stirling cycle (both are top and bottom!)
- Achieves recuperation without a recuperator
- Naturally cools the turbine blades
- Power is extracted via rotating and oscillation
- Fuel Flexible with high turn-down ratio

Key Features

- High-speed Brayton cycle and internal Stirling cycle use no-maintenance air and flexure bearings
- Power balancing between cycles via direct control
- No contact rotating bearings and power transfer
- High speed rotation enable short conductive blades
- No hot moving Stirling cycle parts
- Leverages recent HEMM work for flexure stiffness
- Pedigree from previous DOE/Reliance Electric 2008

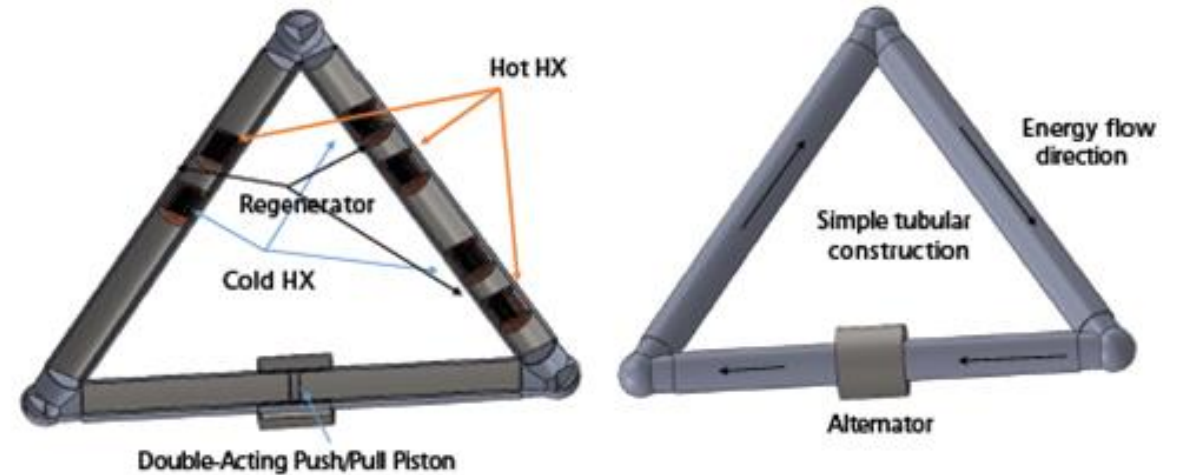
Thermodynamic Efficiency Step-by-Step



Double-Acting Extremely Light-Weight Thermo-Acoustic Generator (DELTA)

Key Features

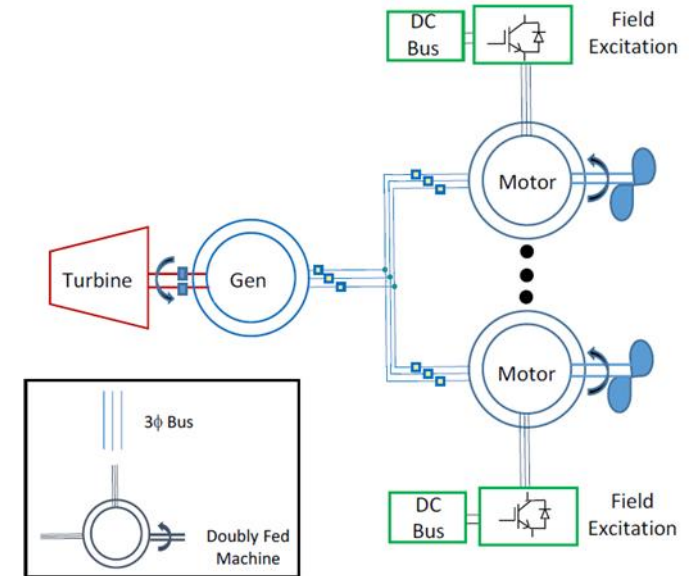
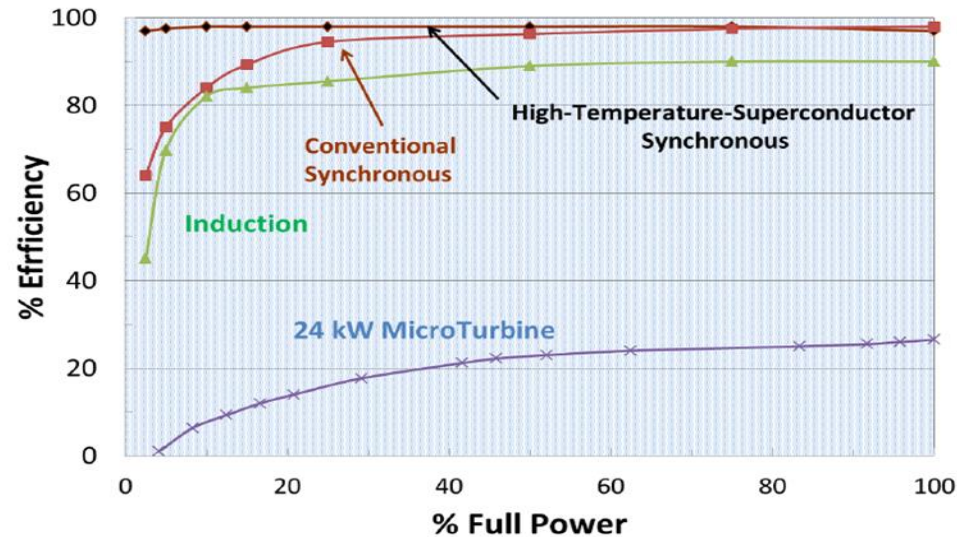
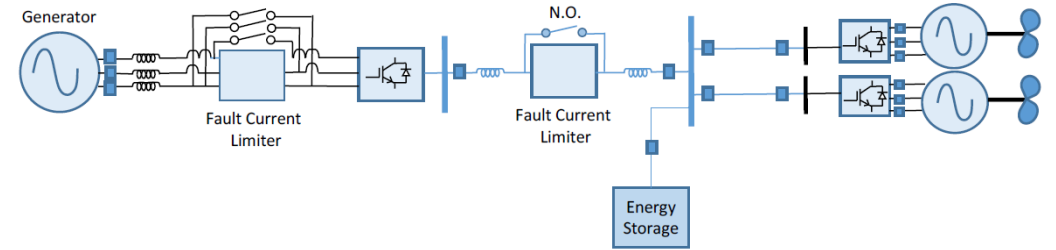
- Utilizes multistage high frequency thermo-acoustics
- Uses a double-acting piston and engine reactive power to minimize required spring
- Fuel flexible including cryogenic
- Shape flexible for embedding in unusual locations
- Silent operation
- Higher efficiency and comparable specific power with ICE



Provides silent power for APU and UAV applications

Propulsion Options

- Fully Superconducting
- Partially Superconducting
- PM Synchronous
- Induction
- Double-fed



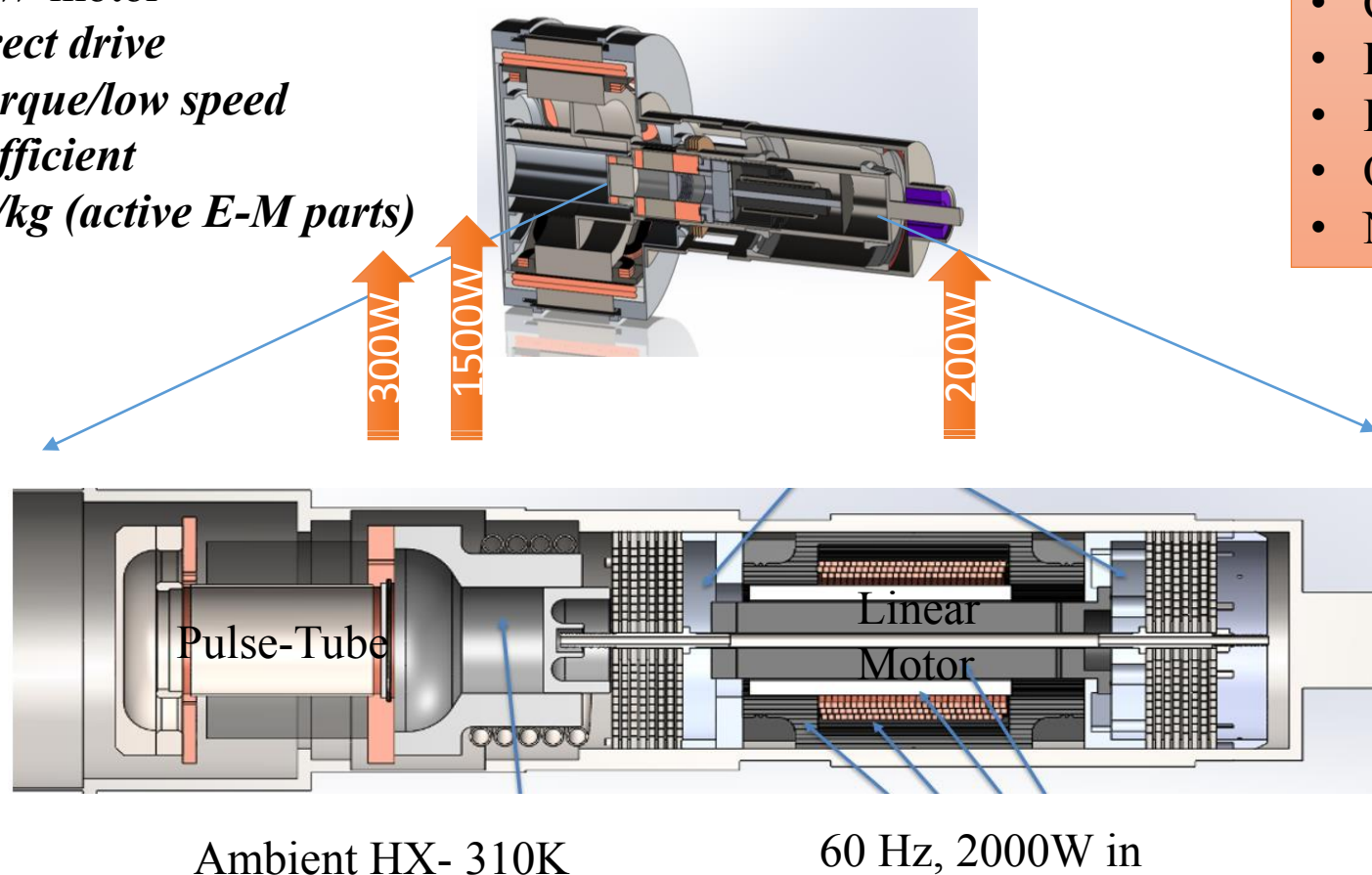
HEMM w/Embedded Cryocooler

HEMM is designed to operate as

- a **1.4 MW** motor
- with **direct drive**
- **High torque/low speed**
- **>98% efficient**
- **>16 kw/kg (active E-M parts)**

Cryocooler Key Features:

- Cool superconducting rotor
- Fit inside rotating motor
- Integrates cooler and linear machine
- Operate rotating or stationary
- No cold moving parts



Top Level Parameter	Value
Frequency	60 Hz
Gas	Helium
Pressure	6.2 MPa
Heat Lifted @ 50K	55W
Heat Rejected	2000W
Electrical In	2000W
Mechanical P _{in}	1661W
Coil Current Density	4 A/mm ²
Piston Amplitude	1.3 cm

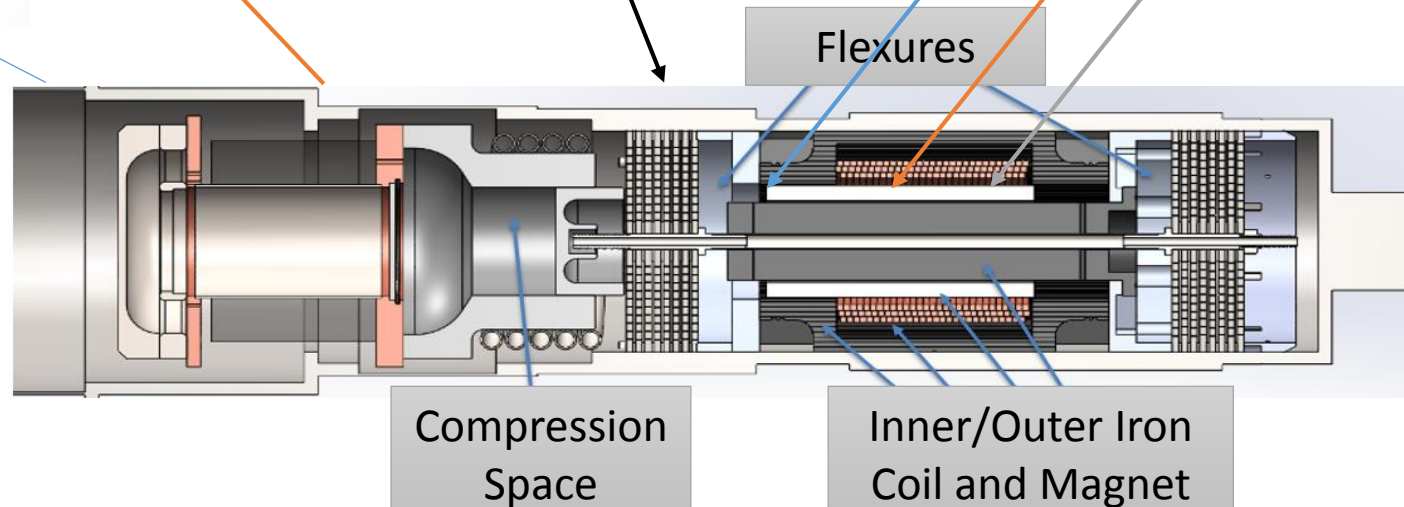
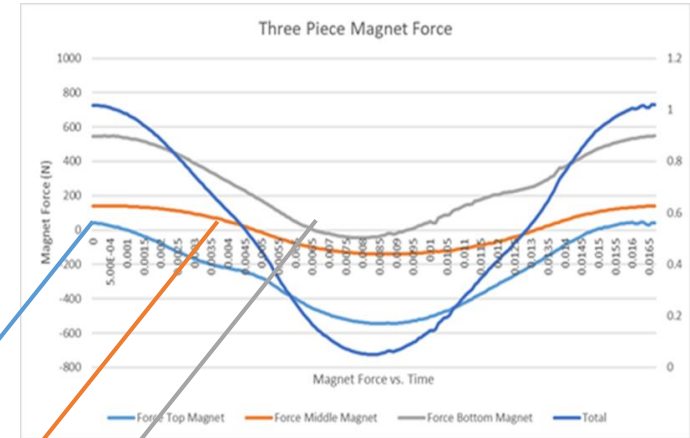
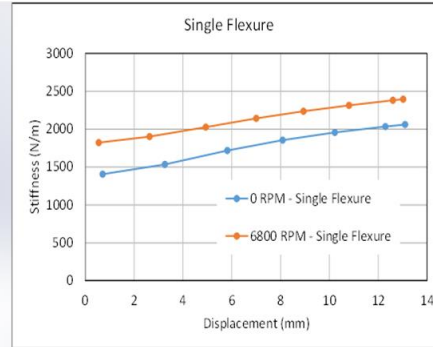
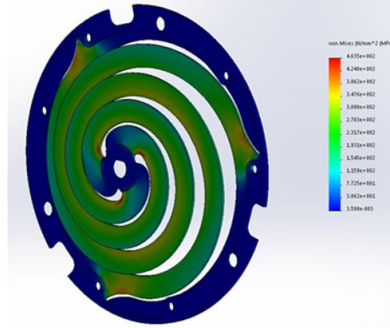
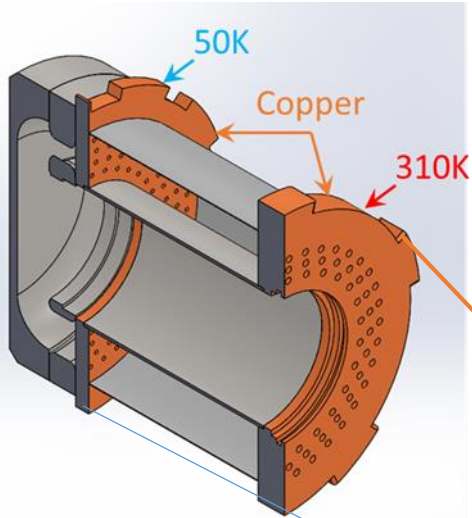
Superconducting inside the motor and provides Strayton risk reduction

Linear Machine and Pulse-Tube Cooler

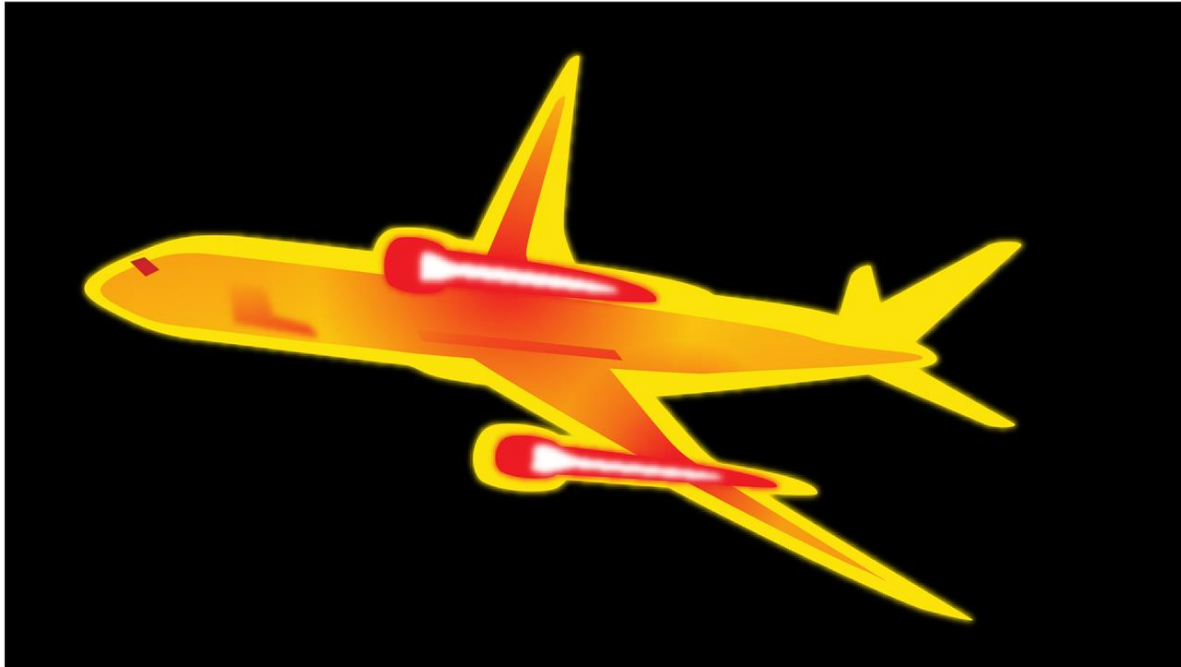
No cold moving parts

Flexure Stiffness Increases Under Rotation

Long Linear Magnet has Distributed Forces



Thermal Options

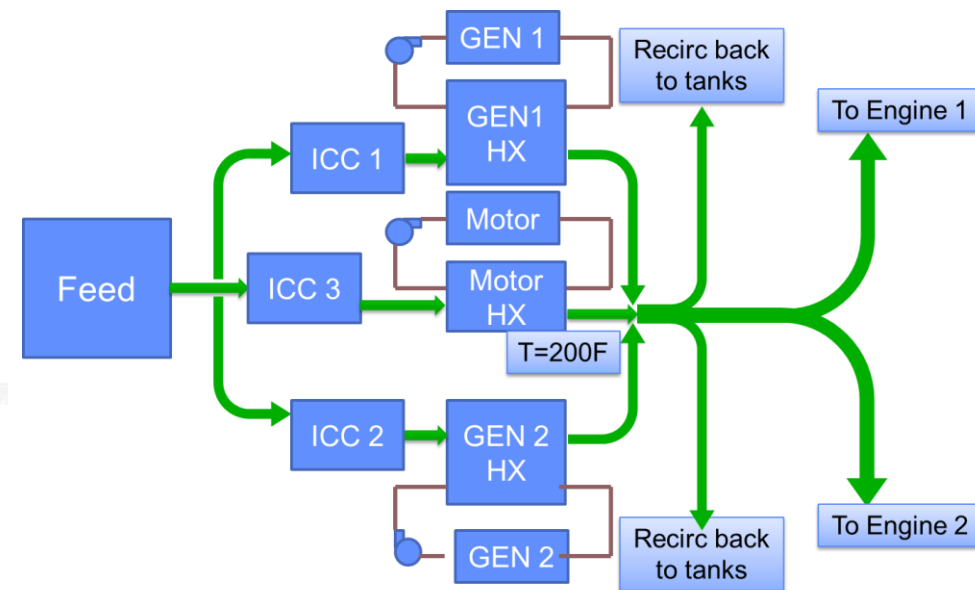
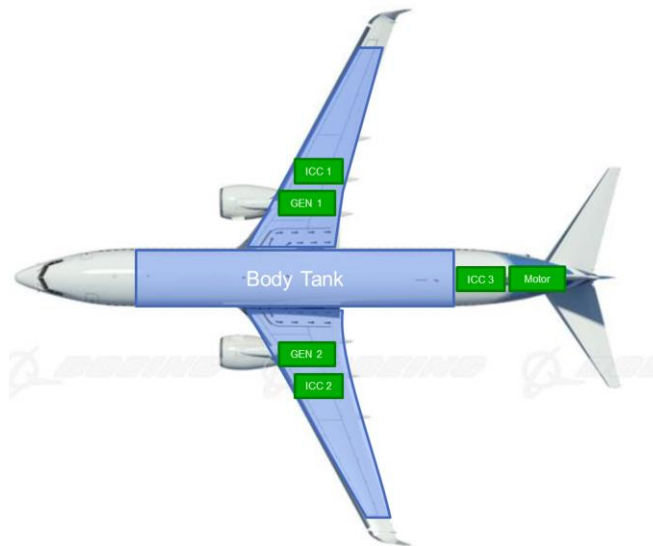


Current proposed solutions (and limits) include:

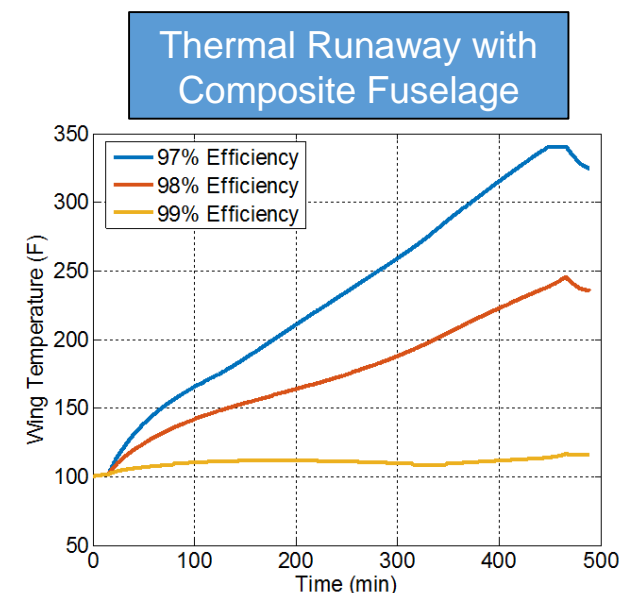
- Ram air HX
 - adds weight and aircraft drag
- Convective skin cooling HX
 - adds weight, drag, and inefficient
- Dumping heat into fuel
 - limited thermal capacity
- Dumping heat into lubricating oil
 - limited thermal capacity
- Active cooling
 - adds weight and consumes engine power
- Phase change cooling
 - adds weight and limited thermal capacity
- Heat pipe, pumped multiphase, vapor compression
 - adds weight and consumes engine power

Thermal Limits

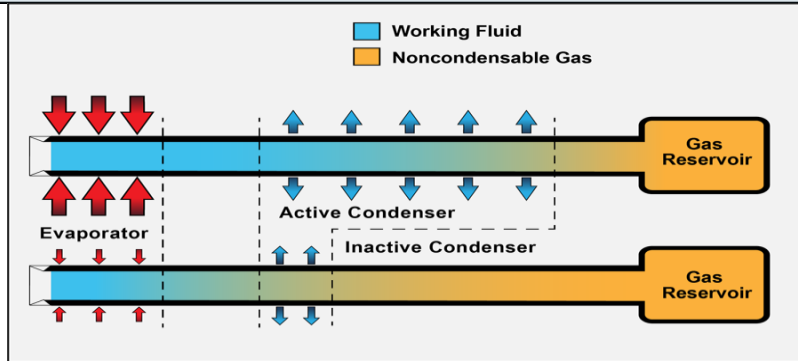
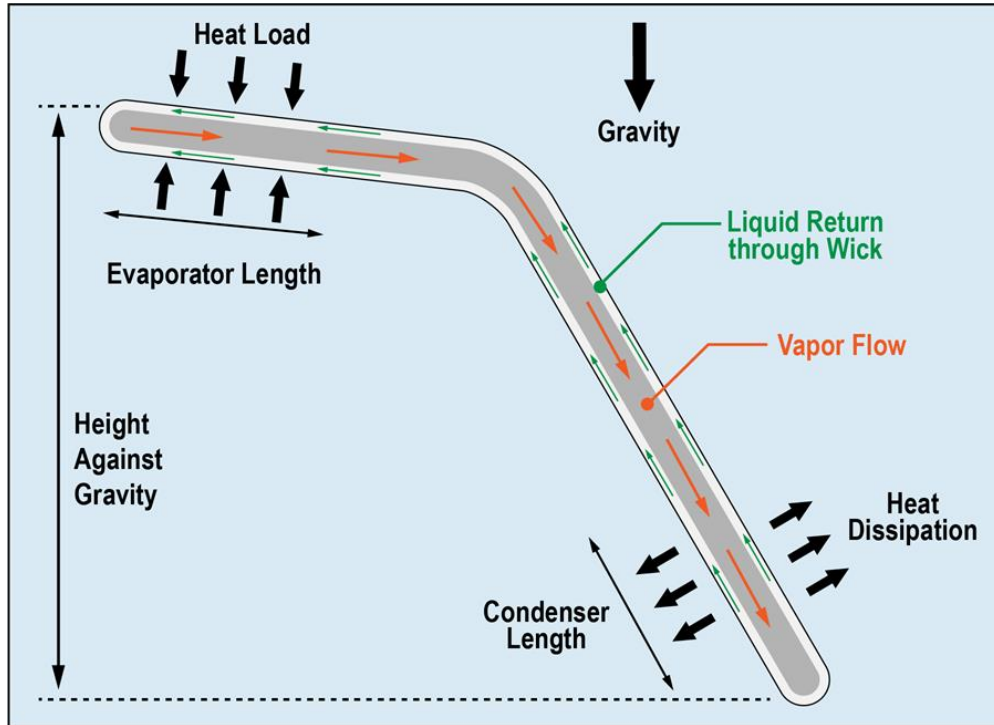
- Into Fuel
- Recirculate Fuel
- Ram Air
- Into Engine
- Vapor-Compression



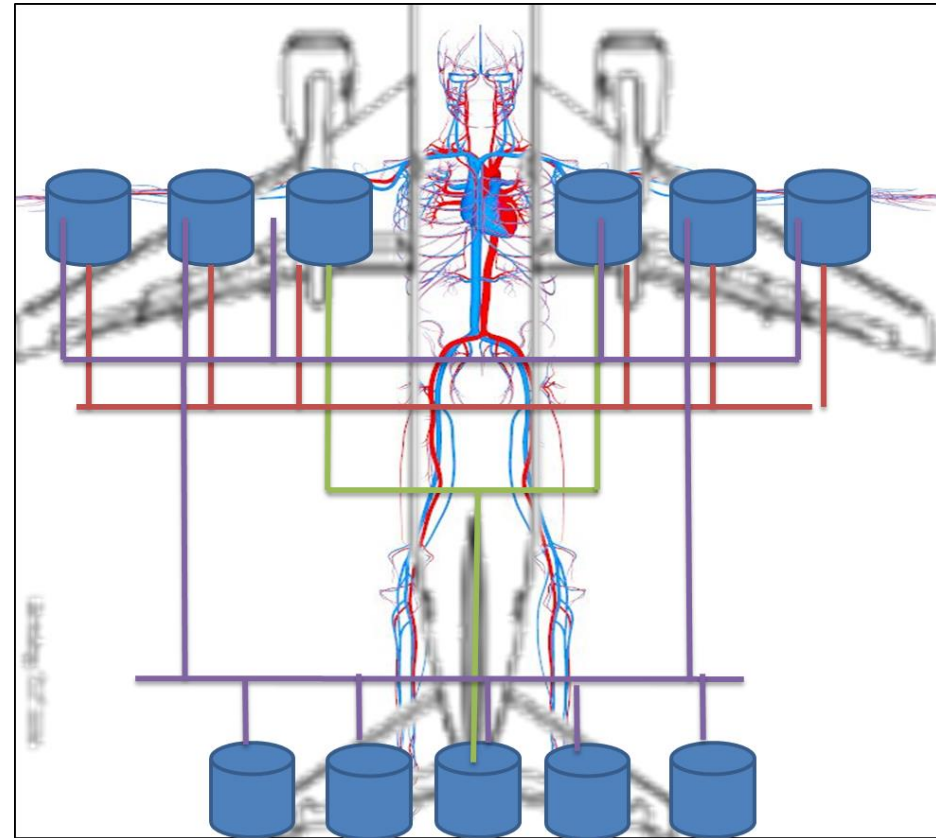
	1% Hot Day		Standard Day	
	Total Penalty (zero exit Velocity)	Total Penalty (non-zero exit velocity)	Total Penalty (zero exit Velocity)	Total Penalty (non-zero exit velocity)
900NM	4.98%	3.31%	2.76%	2.36%
3500NM	5.00%	3.62%	3.01%	2.57%



Variable Conductance Heat Pipe



Solid-state Heat Transfer Switching

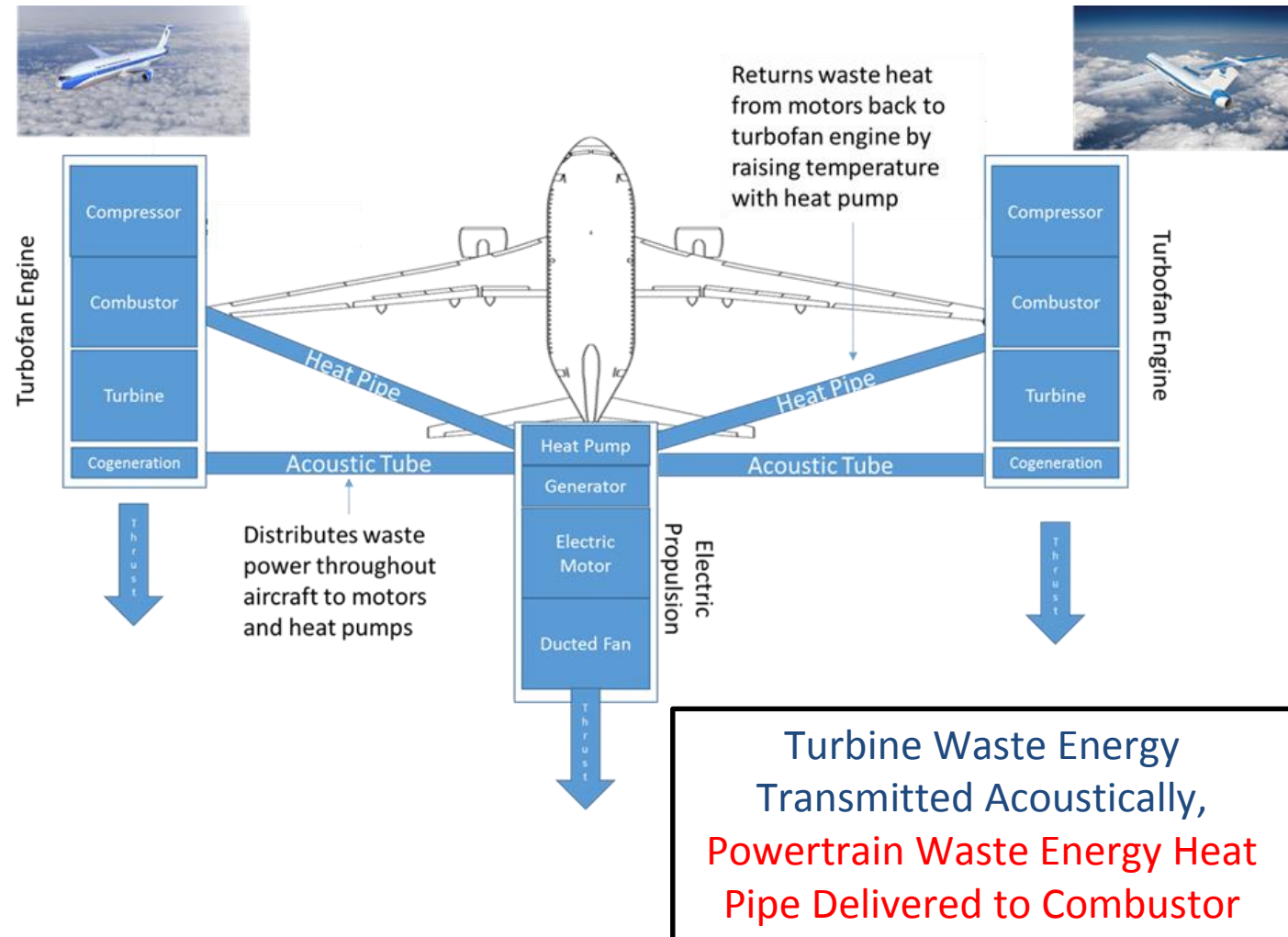


Acoustic and Heat Pipe Tubes Embedded in Airframe

TREES – Thermal Recovery Energy Efficient System Complete Cycle

Solid-state (no moving part) energy recycle and control

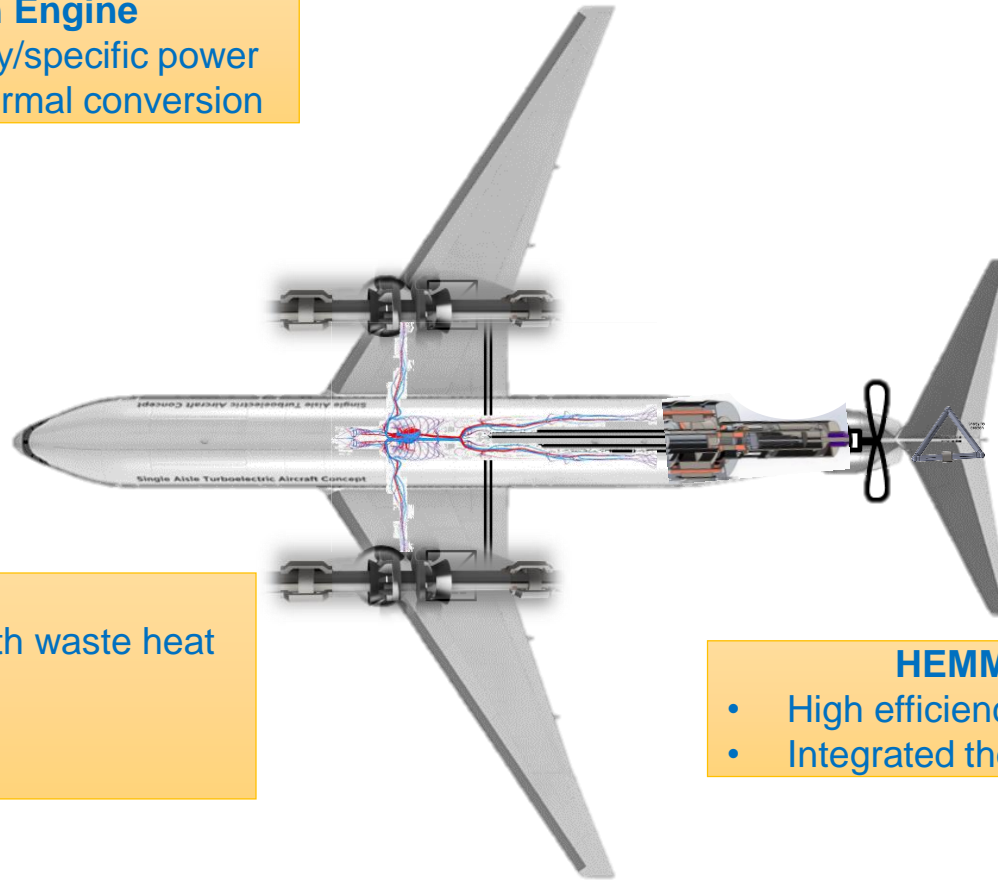
- Localized skin heating for active lift/drag management, de-icing, powertrain cooling, cabin management, and military cloaking



Integrated Benefit

Strayton Engine

- High efficiency/specific power
- Integrated thermal conversion



DELTA

- High efficiency/specific power
- Quiet

TREES

- Distributes waste heat with waste heat
- Saves fuel
- Improves aerodynamics
- Naturally de-ices

HEMM Motor

- High efficiency/specific power
- Integrated thermal conversion

Advanced Integration is Required at Component and System Level

Conclusion

- Maximum benefit with electric aircraft is achieved by integrating at both the component level and system level.
- Thermal Energy Conversion technologies provide the fundamental building block for this integration.
- **HEMM** motor provides flight-weight high efficiency at high power
- **Strayton** engine provides flight-weight high efficiency at medium power
- **DELTA** engine provides flight-weight high efficiency at low power
- **TREES** enables the tight integration of all these technologies at the vehicle level.

