



Software Defined Wireless Avionics for Flight Test

Matt Waldersen

AST, Flight Systems Design

Neil A. Armstrong Flight Research Center



Why Do We Need Wireless Avionics

- Cables are heavy
 - On the Airbus A380-800
 - ~100,000 individual wires
 - ~300 miles total length
 - ~12,500 pounds total weight
- Difficult to integrate into an aircraft
 - Adding new cable harness to an aircraft is time consuming
 - High personnel and procurement costs





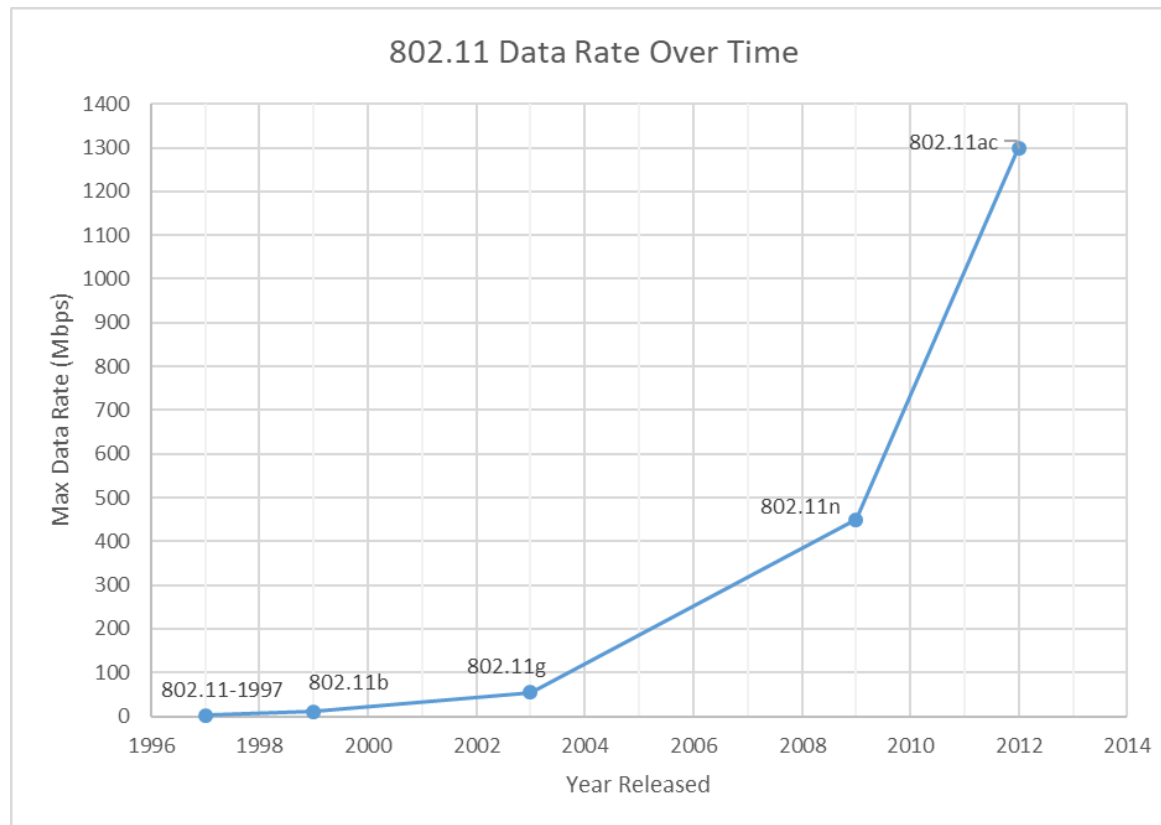
Barriers to Wireless Avionics (1 of 3)

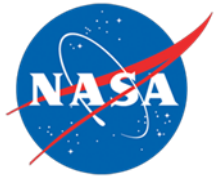
- Current avionics systems don't support wireless technology
 - High cost and risk in replacing pre-existing avionics systems
 - Pre-existing wired systems aren't going to magically disappear
- Regulatory compliance complexities
 - Vary by governing agency and territory
 - Regulations evolve over time
 - FAA Advisory Circular AC 91.21-1 "Use of Portable Electronic Devices Aboard Aircraft" has evolved five times since 2000



Barriers to Wireless Avionics (2 of 3)

- Obsolescence risk
 - “Why would I design a flight system that can’t incorporate new or alternative wireless technology several years from now?”





Barriers to Wireless Avionics (3 of 3)

- No “one size fits all” solution to wireless avionics
- Each wireless transmission methods has it’s own pro’s and con’s
 - 802.11 is great for high bandwidth transmission but is power intensive
 - Bluetooth is low power, but is also low bandwidth
- An optimal wireless avionics system needs to be heterogeneous



Goals and Objectives

- Design a wireless avionics interface that lessens the challenge of integrating new wireless systems
- Design a wireless avionics interface that can rapidly incorporate dissimilar wireless technology
 - Choose right wireless technology for the right application
 - Reduce obsolescence risk
- Design a wireless avionics interface that's implementation agnostic
 - Doesn't need to vary from aircraft to aircraft
- Design a wireless avionics interface that provides a layer of abstraction
 - Eliminate need to modify preexisting avionics system to interface with new wireless systems



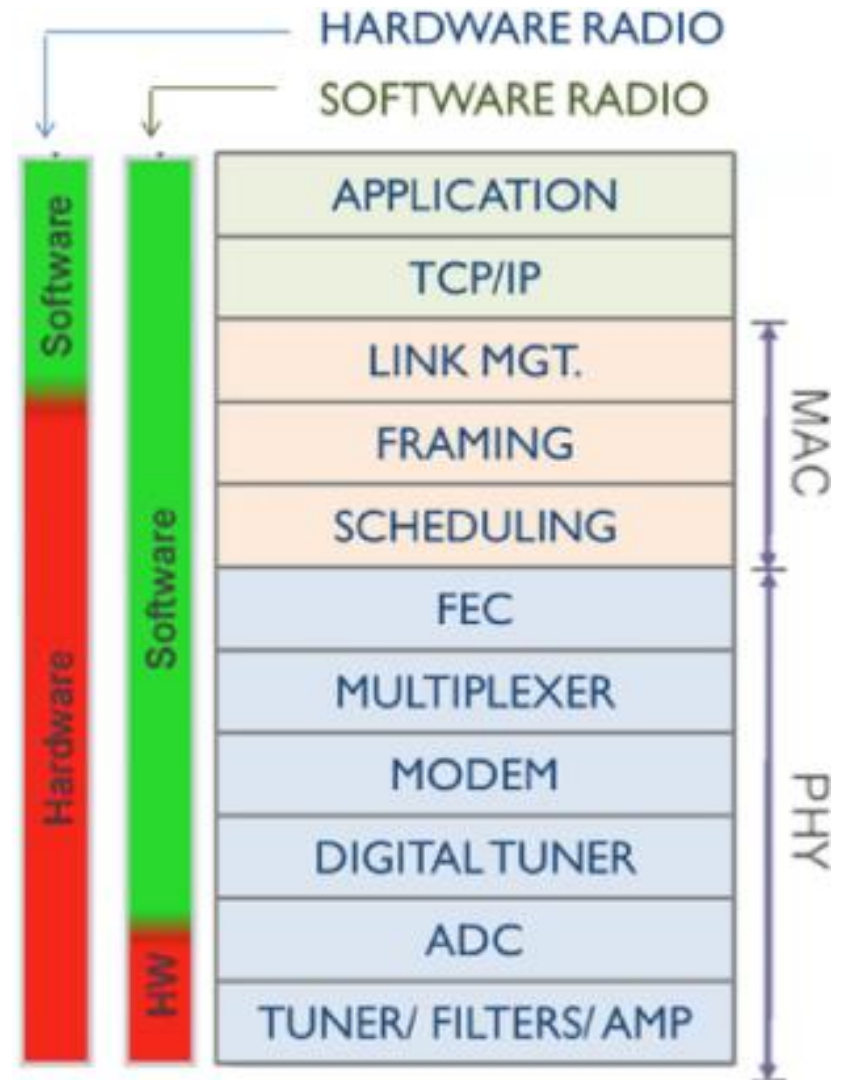
Overview of Current Work

- Currently designing a wireless flight system that leverages software defined radio (SDR) technology
- Benefits of SDR technology
 - Rapidly incorporate new wireless capability entirely through software modification
- Developing software defined radio access point that allows wireless system developers to integrate their experiments without modification to pre-existing avionics architecture or hardware
- Only the interface to avionics is being developed
 - Intent is to facilitate the technology of others



What Is Software Defined Radio?

- Software Defined Radio (SDR) is a wireless device where RF communication is interpreted in software rather than dedicated hardware
- Can be modified to operate on wide suite of frequencies
- Reprogrammable to accommodate a wide variety of current and future protocols
 - Ideal for testing and developing new sensor technology
 - Field upgradable to remain at the forefront of RF communication protocols

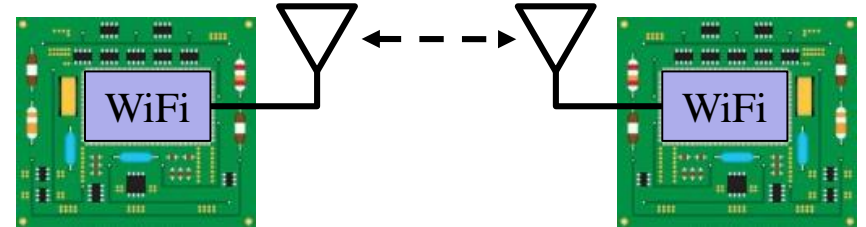




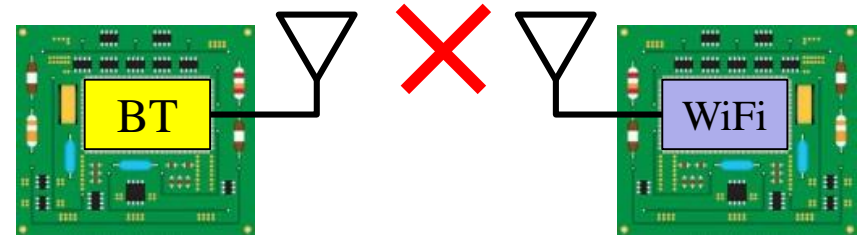
Software Defined Radio Usage Scenario

Scenario Without SDR

1. Start with hypothetical wireless flight sensor system that communicates via WiFi

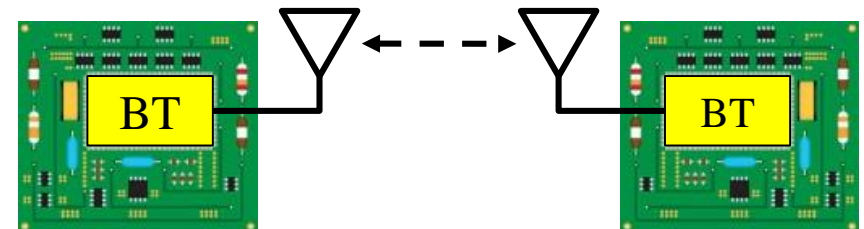
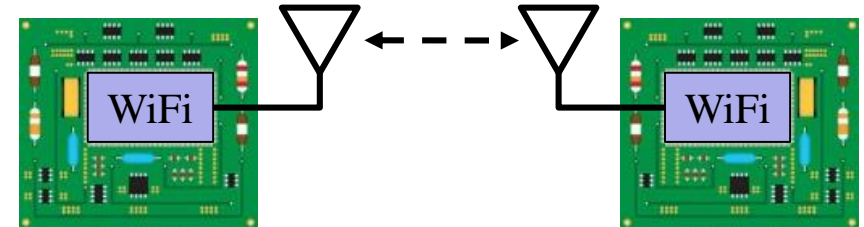


2. A new-cutting edge wireless sensor technology comes out that uses BlueTooth



3. Modify pre-existing Wi-Fi system to incorporate Wi-Fi and BlueTooth

- Increase hardware complexity
- Significant non-recurring engineering costs
- Requires engineering resources for both hardware and software development

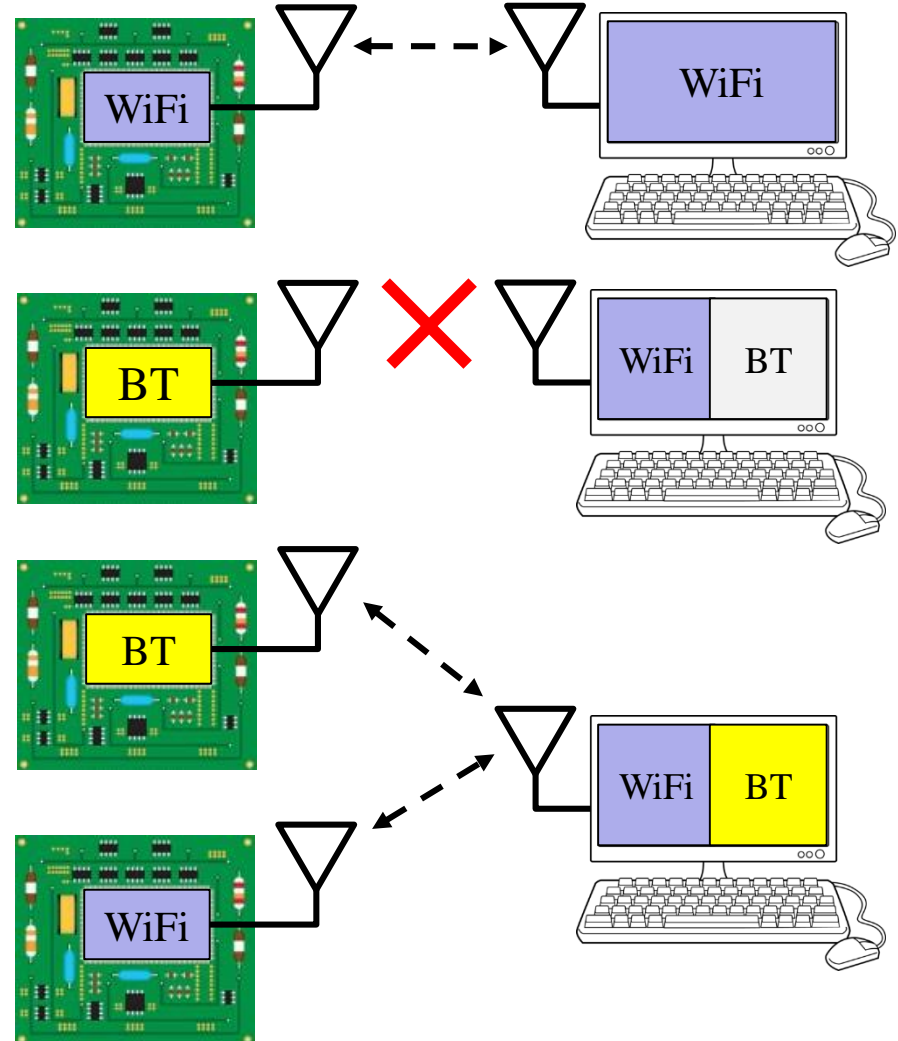




Software Defined Radio Usage Scenario

Scenario With SDR

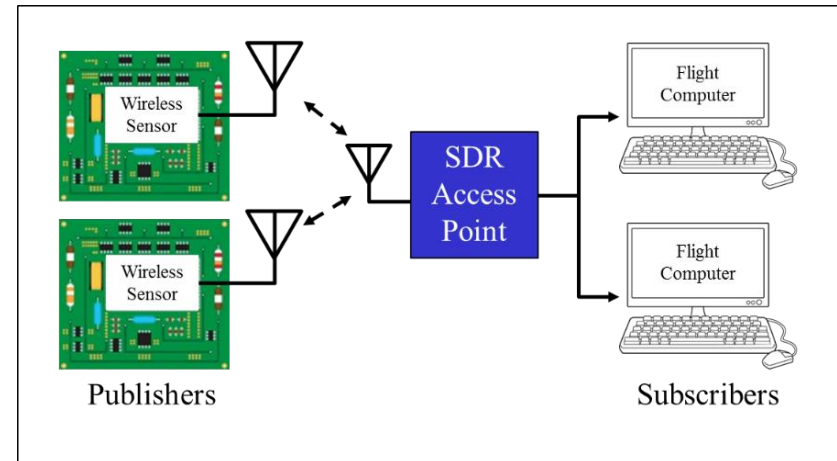
1. Start with hypothetical wireless flight sensor system that communicates via WiFi and utilizes SDR technology
2. A new-cutting edge wireless sensor technology comes out that uses BlueTooth
3. BlueTooth communication protocols are uploaded to the SDR, and the new sensor nodes are easily integrated into the vehicle
 - No Hardware Modification
 - Negligible Non-Recurrent Engineering Cost





Architecture Overview

- Utilizes a SDR access point as a “broker” in a “publish subscribe” architecture
- Avionics systems request (or subscribe) to specific pieces of information provided by the SDR access point
- Wireless devices transmit (or publish) data that is acquired by the SDR access point





Architecture Advantages (1 of 2)

Solution Needs



Eliminate Need
for New
Hardware



Rapid
Wireless
Configurability



Implementation
Agnostic



Abstraction
Layer Between
Vehicle &
Sensor

Solution Implementation

Using a Software Defined Radio (SDR) as a single “universal access point” for wireless devices

SDR’s can be reprogrammed through software modifications. New wireless capability is added at “the speed of software”

Access point serves as a courier of information between wireless devices and a vehicle network

Wireless devices and vehicle systems are only concerned with communicating with SDR



Architecture Advantages (2 of 2)

- SDR access point utilizes traffic shaping to improve network efficiency
- No direct connection between internal avionics systems and external wireless devices
 - The only way a hacker would be able to communicate with an avionics system would be if that avionics system “subscribed” to it
- Can adapt to evolving regulatory requirements
 - Can operation can be modified to comply with varying spectrum compliance requirements
 - Over time and by region of operation
- Modular architecture
 - Potential market for wireless hardware and SDR gateway software modules



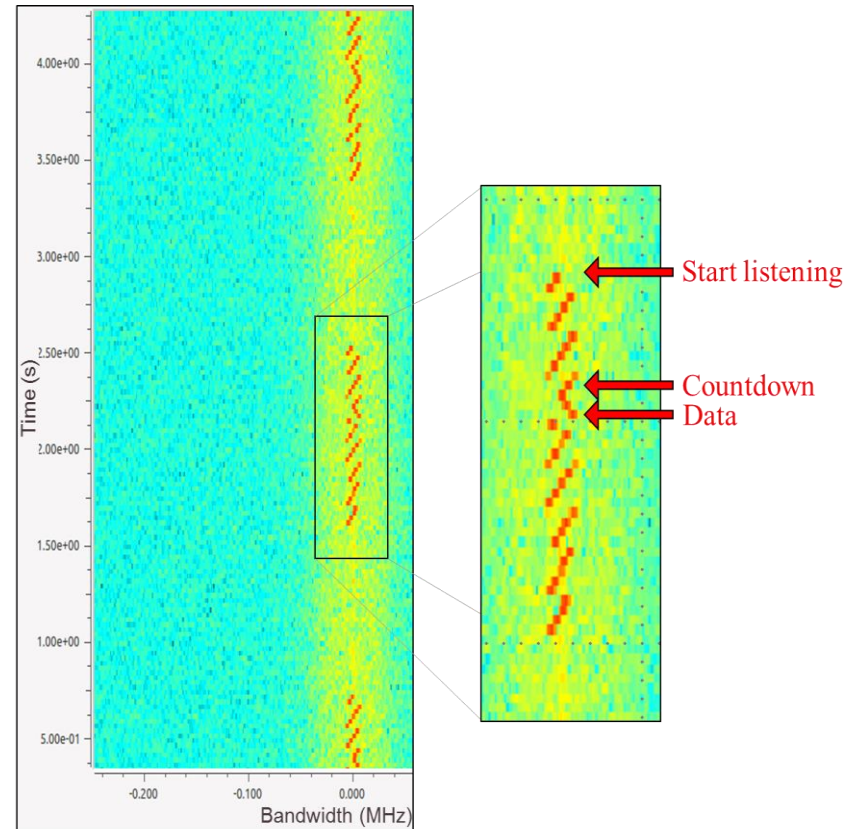
Architecture Challenges

- How do we certify a software defined radio
 - Do we use hardware filters to eliminate possibility to out of band transmissions?
 - Comes at the cost of reduced flexibility
 - Do we apply the same software assurance practices used to certify other avionics systems?
 - Comes at the cost of increased design complexity
- System scalability hasn't been pushed to it's limits
 - Lab testing wasn't able to find a limit to the number of wireless devices that can be used at one time, but I'm sure it's there somewhere
- System adoption requires buy in from both avionics developers and wireless system developers
 - Won't benefit aircraft designers if wireless developers only provide a custom interface solution
 - Wireless develops can't put their product in the field if no one is using this interface



Current Status

- Successfully demonstrated the ability to communicate with two COTS transceivers that operate on dissimilar protocols and frequencies.
 - TRL 3
- Patent has been filed on software architecture
- Currently pursuing corporate partners to license the technology





Path Forward & Closing Concepts

- In order for this concept to work, we need partners
 - We need people willing to test their wireless systems using this concept
 - We need end users to utilize this concept, so wireless developers have a path to industry infusion
- We need partners willing to commercialize this technology
 - Licensing is currently available through NASA's technology transfer portal
 - Go to: <https://technology.nasa.gov/patent/DRC-TOPS-42>