

NASA GRC Compass Team Conceptual Point Design and Trades of a Hybrid Solar Electric Propulsion (SEP)/Chemical Propulsion Human Mars Deep Space Transport (DST) Vehicle

Melissa L. McGuire,¹ Steven R. Oleson,² Laura M. Burke³,
J. Michael Newman,⁴ and Michael C. Martini⁵
NASA Glenn Research Center, Cleveland, Ohio, 44135, USA

NASA has long been conducting studies which apply different in-space propulsion technology assumptions to the mission of sending humans to Mars. Two of the technologies under study that are considered to be the most near-term with respect to technology readiness level (TRL) are traditional chemical propulsion systems and high-power Solar Electric Propulsion (SEP) systems. The benefit of relatively low trip times inherent in using impulsive chemical propulsion systems to perform the full round-trip ΔV for human Mars missions is hampered by the large propellant mass required to perform these burns. SEP systems offer the benefit of much lower propellant requirements to perform the same round-trip missions, at the cost of longer trip times. Traditionally, impulsive chemical systems are better suited than SEP when used in a gravity well, and SEP systems are more efficient than traditional impulsive systems when used in interplanetary space. A typical mission to Mars includes both of these scenarios, and thus several NASA architecture studies, performed over the last few years, have looked to combine the use of both SEP and chemical propulsion systems where they are the most beneficial to human Mars missions. This combined propulsion system concept has been referred to as a SEP/Chem hybrid Mars Transfer Vehicle and is currently shown as the concept Deep Space Transport (DST) in the March 2017 NASA presentation to the National Aerospace Council (NAC).

Nomenclature

<i>AEPS</i>	=	Advanced Electric Propulsion System
<i>AOP</i>	=	Argument of Perigee
C_3	=	characteristic energy
<i>C&DH</i>	=	Command and Data Handling
<i>CMG</i>	=	Control Moment Gyros
<i>DRO</i>	=	Distant Retrograde Orbit
<i>DSG</i>	=	Deep Space Gateway
<i>DST</i>	=	Deep Space Transport
<i>EP</i>	=	Electric Propulsion
<i>GOX/CH₄</i>	=	Gaseous oxygen/gaseous methane
<i>Hab</i>	=	Habitat
<i>HEO</i>	=	Highly Elliptical Orbit

¹ Branch Chief, Mission Architecture and Analysis Branch, NASA Glenn Research Center.

² Compass Team Lead, Mission Architecture and Analysis Branch, NASA Glenn Research Center. AIAA Senior Member Grade

³ Mission Design Engineer, Mission Architecture and Analysis Branch, NASA Glenn Research Center.

⁴ Compass Team Systems Integration Lead, Mission Architecture and Analysis Branch, NASA Glenn Research Center.

⁵ Mission Design Engineer, Mission Architecture and Analysis Branch, NASA Glenn Research Center. AIAA Senior Member

<i>HERMeS</i>	= Hall Effect Rocket with Magnetic Shielding
<i>Isp</i>	= specific impulse
<i>LDHEO</i>	= lunar distant highly elliptical orbit
<i>LGA</i>	= Lunar Gravity Assist
<i>LO_x/LCH₄</i>	= Liquid oxygen/liquid methane
<i>MAV</i>	= Mars Ascent Vehicle
<i>MOI</i>	= Mars orbit insertion
<i>MSC</i>	= Mars Study Capability
<i>NAC</i>	= National Aerospace Council
<i>NRHO</i>	= near rectilinear halo orbit
<i>NTR</i>	= Nuclear Thermal Rocket
<i>PPE</i>	= Power and Propulsion Element
<i>RCS</i>	= Reaction Control System
<i>ROSA</i>	= Roll Out Solar Array
<i>SEP</i>	= Solar Electric Propulsion
<i>SEP/Chem</i>	= Solar Electric Propulsion/Chemical Propulsion
<i>SLS</i>	= Space Launch System
<i>Sol</i>	= A Solar Day on Mars
<i>TEI</i>	= trans-Earth injection
<i>TLI</i>	= trans-lunar injection
<i>TMI</i>	= trans-Mars injection
<i>TRL</i>	= Technology Readiness Level
<i>WSB</i>	= weak stability boundary

I.Introduction

NASA Glenn Research Center's concurrent engineering design team, Compass, has performed several concept designs of a Solar Electric Propulsion (SEP)/Chem Hybrid Human Mars Transfer Vehicle, capable of safely sending a crew of four to Mars and returning them home to Earth. Also referred to as the Deep Space Transport (DST) [1] in the current NASA preliminary exploration concepts, the design documented here was performed for NASA's Mars Study Capability (MSC) team and built upon previous Compass concept designs of this type of Human Mars Transfer Vehicle[2]. Combining SEP and Chemical Propulsion in the Human Mars Transfer Vehicle takes advantage of the strengths of both propulsion systems to efficiently and robustly send humans to and from Mars. For Mars opportunities starting in 2033, and extending through to 2045, this SEP/Chem hybrid vehicle, also referred to as DST, would be outfitted and refueled in a lunar near rectilinear halo orbit (NRHO) and be capable of delivering a pressurized Habitat with a crew of four to an orbit about Mars. Launched with only enough fuel to deliver itself to the NRHO on a single Space Launch System (SLS) rocket to a trans-lunar injection (TLI) trajectory, the SEP/Chem hybrid Mars Transfer Vehicle would transfer to NRHO and meet with NASA's Deep Space Gateway (DSG) or with another element to refuel (xenon and chemical propellant) and resupply logistics and supplies for the Habitat.

The Compass Team's design study provides a detailed conceptual point design (pre-phase A level) against which trades can be made to ascertain the impact of different subsystem technologies. This paper captures the concept design. It also captured the system level benefits and impacts of technology development of the Chemical and Electric Propulsion (EP) systems on a human Mars mission. Figure 1 is an artist's depiction of the hybrid SEP/Chem propulsive DST vehicle. This baseline vehicle used LO_x/LCH₄ as the primary chemical propulsion system and 13.3 kW Hall Effect thruster strings, currently under development for the Advanced Electric Propulsion System (AEPS) contract. These thrusters are also planned as the primary EP system for the Power and Propulsion Element (PPE) of NASA's Gateway as the primary EP system. In order to fully understand the impact of propulsion system technologies on the round-trip mission, an optimized end-to-end trajectory was developed for the baseline design, as well as for each of the propulsion system trade cases.

II.Concept of Operations

The following notional concept of operations for the DST (illustrated in Figure 2) was used to create a baseline design referred to throughout this paper as Case 1, and was applied consistently to all of the trade cases. The DST was assumed to be a single integrated vehicle, composed of a pressurized crew Habitat and a power and propulsion

Transport module. The DST was assumed to be launched on a single SLS and delivered to an orbit about the Earth. In order to fit inside a single SLS (Item 1 in Figure 2), it was assumed that the DST would be launched with propellant sufficient to deliver itself to the NRHO and would then require refueling to complete the round-trip Earth to Mars mission (Item 2 in Figure 2). The number of resupply/refueling vehicles and their designs were left for future design studies. Once the DST was fueled and outfitted (Item 4 in Figure 2), it would transfer to a lunar distance high Earth orbit (LDHEO) where it would rendezvous with the crew that was launched in the Orion by way of an SLS to the same LDHEO. After the crew transferred over to the DST (Item 5 in Figure 2), the Orion would separate and return to Earth. The DST would perform a series of lunar gravity assist (LGA) maneuvers, followed by a chemical trans-Mars injection (TMI) burn to achieve its escape from Earth. From there the DST would continue with the rest of the interplanetary

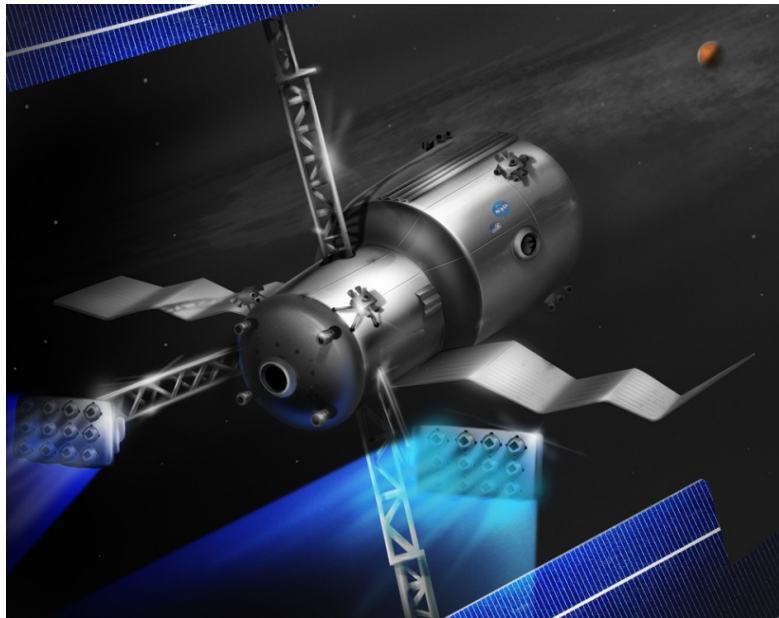


Figure 1: Artist depiction of the Deep Space Transport (DST) Crew vehicle.

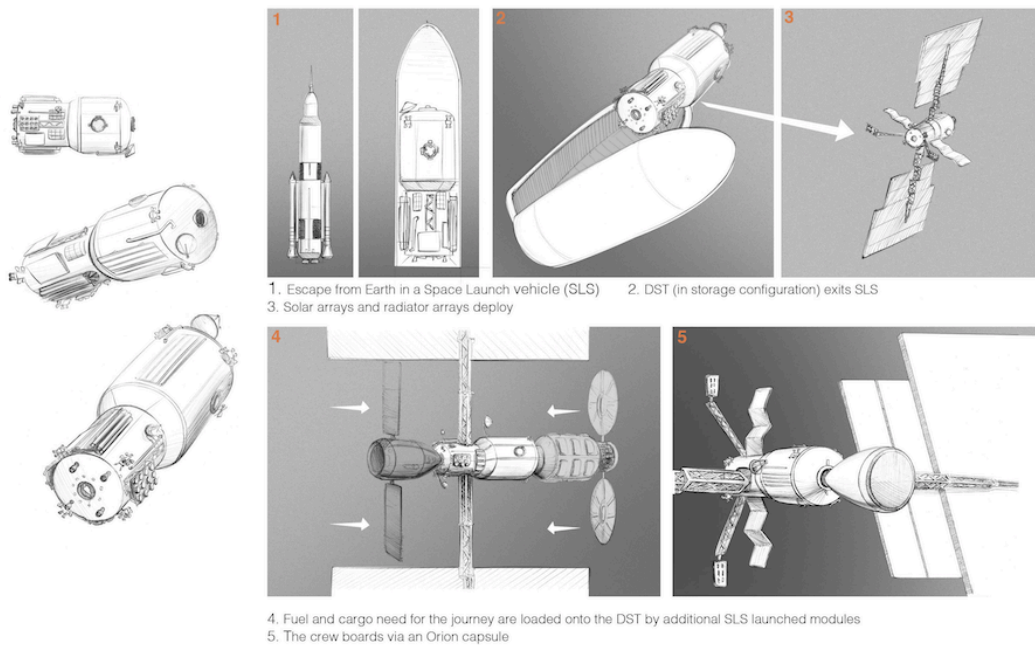


Figure 2: Notional Artist Interpretation of DST Assembly Sequence

cruise phase utilizing the SEP system. At Mars, the DST would capture into a 5 Sol orbit using the chemical thrusters to perform the Mars orbit insertion (MOI) burn. Next, the crew would utilize a pre-deployed taxi at Mars to move from the DST to taxis which deliver them to orbiting, pre-deployed Mars landers. After spending ~300 days on the surface, the crew would return to the orbiting DST using the pre-deployed Mars Ascent Vehicle (MAV). Once returned to the DST, a trans-Earth injection (TEI) burn is performed using the chemical thrusters to escape Mars, followed by SEP thrusting in interplanetary space. Upon returning to Earth, the DST would perform a sequence of LGA maneuvers to capture back into the LDHEO. Once in the LDHEO, the DST would rendezvous with the Orion which would then separate and return the crew to Earth. Using a weak stability boundary (WSB) transfer, the DST would return to the original NRHO for refueling and refitting for the next human Mars mission opportunity.

III. Mission Description

Trajectory analysis and optimization of human Mars missions has been explored by many mission designers throughout the years. [3], [4], [5], [6] Both low thrust (e.g., electric propulsion systems) [7], [8] and high thrust (chemical, nuclear thermal rocket (NTR), etc.) propulsion options have been examined. [9] Recent analysis has focused on applying both low and high thrust propulsion systems together on a single vehicle and utilizing each type where they work best in a round-trip Mars mission. [10] Low thrust systems work best outside of the gravity wells and can more efficiently use propellant to provide ΔV at the cost of longer trip times. High thrust systems are well suited for use in escaping and capturing into gravity wells at the cost of higher propellant usage. In 2013 the Compass Team explored the application of a combined SEP/Chem system to the design of a crewed vehicle to fly NASA's DRM 5.0 mission. [11],[12] The DST concept documented in this paper was built upon these previous analyses, and designed to combine the best of low thrust and high thrust propulsion systems for round-trip delivery of a crew of four from the Earth to Mars.

A. Baseline Reference Trajectory

In March of 2017, NASA announced its conceptual next steps for exploration of destinations beyond LEO. The first phase of this exploration will involve building a Gateway in orbit about the Moon. [13] The reference trajectory used for the baseline DST design in this paper was a 2037 Mars opportunity crewed surface mission to Jezero Crater (see Figure 3). The DST was assumed to dock to the Gateway in a 9:2 near rectilinear halo orbit (NRHO) [14] during initial outfitting and for refit and refueling following completed missions. For crewed missions, it was assumed that the SEP-Hybrid vehicle performs a 6 month near-ballistic WSB transfer from the NRHO to a lunar distant highly elliptical orbit (LDHEO) to await rendezvous with the crew. During uncrewed periods in the LDHEO the SEP-Hybrid must perform 10 m/s orbit maintenance burns during each orbit to maintain perigee altitude. Where possible, the trajectory was modeled such that the EP system would perform the ΔV 's due its more efficient higher Isp (Specific Impulse) system.

Following crew rendezvous in the LDHEO, the DST may require up to three additional orbits to achieve the correct phasing necessary to perform a LGA maneuver sequence to increase the outgoing C_3 to $2 \text{ km}^2/\text{s}^2$. In this analysis, the DST escapes Earth on July 18, 2037. The SEP system is used during the outbound interplanetary transit to reduce the departure and capture chemical propulsion burns done near Earth and Mars. Because the EP system cannot provide sufficient initial acceleration following the LGAs to reach Mars while enabling a 300-day surface stay, the chemical system must perform a 360 m/s TMI burn.

The crewed vehicle arrives at Mars on August 7, 2038 and uses the chemical propulsion system to perform a 138 m/s MOI burn to capture into the desired 5 Sol orbit. To enable landing near the Jezero Crater, the argument of perigee (AOP) of the arrival orbit is constrained to be equal to the latitude of Jezero Crater, 18.8° . During Mars stay, the DST uses the SEP propulsion system to complete an 11 m/s reorientation maneuver to align the departure orbit. The inclination of the departure orbit is constrained to be greater than or equal to 18.8° to enable the MAV to perform a coplanar launch and rendezvous. After the crew transfers back to the DST in the departure orbit, the DST chemical propulsion system performs a 220 m/s TEI burn to escape Mars.

The SEP system is used during the Earth inbound interplanetary transit to reduce the departure burn done near Mars and to ensure that the arrival C_3 at Earth remains under $2 \text{ km}^2/\text{s}^2$. This arrival velocity requirement facilitates the capture back into the LDHEO following another LGA maneuver sequence. Orion will again rendezvous with the SEP-Hybrid DST vehicle in order to deliver the crew back safely to Earth. Following Orion separation, the DST will transfer back to the NRHO via WSB transfer to dock with Gateway to prepare for its next mission.

The trajectories documented in this paper are modeled using the high-fidelity trajectory tool, Copernicus. Copernicus development started at the University of Texas at Austin and currently continues at Johnson Space Center (JSC). [15] Copernicus is a generalized spacecraft trajectory design and optimization tool, capable of designing low

thrust and impulsive trajectories. [16] Copernicus is an n-body tool and is considered high fidelity. The solutions presented in this paper are from fully integrated trajectories using both impulsive and finite burns to model the chemical and EP propulsion systems. The DE430 ephemeris model was used with point masses for the Earth and Moon. Solar radiation pressure has not been modeled at this time.

B. Mission Mass Summary

In order to accurately model the round-trip trajectory, all mass drop/add assumptions, both from propulsion system operations and the assembly on orbit, needed to be tracked. A summary of all the mass and ΔV assumptions provided by MSC for the study is seen in Table 1. The waste mass drops are functions of mission duration and consumption rate and occur at several points in the mission. Where possible, it was assumed that the EP system would perform the ΔV 's due to its significantly greater efficiency compared to the chemical system.

A mission chronological accounting of all mission ΔV 's, along with propellant consumption and mass drops can be seen in Table 2. All propellant numbers in Table 2 represent usable propellant. Margin was carried on all propellants; An additional 5% of usable xenon, 5% of useable main chemical propellant, and 10% of usable RCS/ACS propellant, and is included in the vehicle inert mass summary.

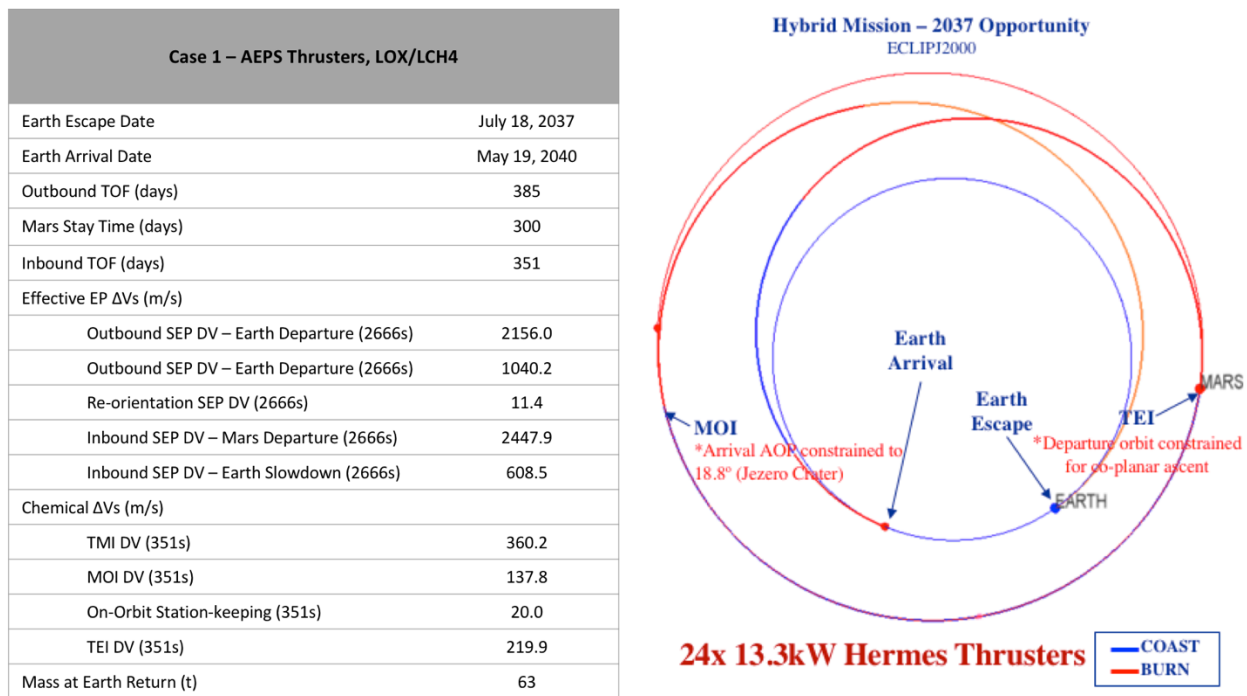


Figure 3: 2037 Interplanetary Reference Trajectory for the Compass Design of the Deep Space Transport (DST)

Table 1: Mass and ΔV Assumptions

Parameter	Value (kg)	Parameter	Value (m/s)
Masses		Delta V	
Orion	21,090	TLI Cleanup, Target LGA	30
Crew	328	Insert into NRHO via WSB	45
Logistics Loaded at Gateway	14,040	Dock to Gateway in NRHO	45
Items offloaded of Hab, loaded at Gateway	1896	Depart LDHEO from NRHO via WBS	45
Logistics Module Inert Mass	4300	Burn to eliminate Lunar Resonance	20
Logistics Module Payload	8700	Station Keeping in LDHEO/Rev	10
Samples Obtained from Martian Surface	250	Phasing burn, depart LDHEO, target WSB	20
Waste Mass Drops		5 Sol Parking Orbit Maintenance at Mars	20
Prior to MOI	2325		
Prior to TEI	4896		
Prior to Earth Arrival	2125		

Table 2: Mission ΔV and Propellant Summary

Mission DeltaV Summary												
Phase #	Phase Name	Pre-Burn Mass (kg)	EP DV (m/s)	Main Chem DV (m/s)	RCS/ACS DV (m/s)	Main Isp (s)	RCS/ACS Isp (s)	EP Prop (kg)	Main Chem Prop (kg)	RCS/ACS Prop (kg)	Post Burn Mass (kg)	Change In Mass (kg)
1	Launch	44756	0	0	0			0	0	0	44756	0
2	Null Tip off Rates	44756	0	0	0		330	0	0	1	44755	-1
3	Correct Insertion Errors, target LGA	44755	0	0	30		330	0	0	413	44342	-413
4	LGA 5 days after launch	44342	0	0	0			0	0	0	44342	0
5	Vehicle Commissioning / Open arrays / test thrusters	44342	0	0	0			0	0	0	44342	0
6	Transfer Into NRHO Using WSB (6months)	44342	45	0	0	2600		78	0	0	44263	-78
7	1 month of ACS Attitude Control	44263	0	0	4		330	0	0	50	44213	-50
8	5 months of SEP Attitude Control	44213	17	0	0	2600		30	0	0	44183	-30
9	Dock To Gateway In NRHO	44183	0	0	45		330	0	0	610	43573	-610
Totals Before Resupply At Gateway			62	0	79			108	0	1074		
10	Load required propellant	43573	0	0	0			0	0	0	88253	44680
11	Load items that were offloaded from Hab	88253	0	0	0			0	0	0	90149	1896
12	Load all logistics except 8.7t that will be brought by Orion	90149	0	0	0			0	0	0	104189	14040
13	Depart for LDHEO to meet up with crew via WSB	104189	45	0	0	2600		184	0	0	104006	-184
14	Un-Phasing burn to eliminate Lunar resonance	104006	0	20	0	351		0	603	0	103403	-603
15	LDHEO Maintenance 10 m/s/rev near apogee	103403	100	0	0	2600		405	0	0	102998	-405
16	Crew Rendezvous With Orion and 13t Logistics Module	102998	0	0	0			0	0	0	137416	34418
17	Transfer 8.7t of logistics and spares from Logistics Module	137416	0	0	0			0	0	0	137416	0
18	Separate Uncrewed Orion and Inert Logistics Module	137416	0	0	0			0	0	0	112026	-25390
19	Phasing for Departure, target LGA	112026	0	20	0	351		0	649	0	111377	-649
20	2 LGA to achieve C3 = 2 km^2/s^2	111377	0	0	0			0	0	0	111377	0
21	Chemical Burn at Earth Escape	111377	0	360	0	351		0	11067	0	100310	-11067
22	EP To Mars, DV 1	100310	2156	0	0	2600		8134	0	0	92177	-8134
23	EP To Mars, DV 2	92177	1040	0	0	2600		3685	0	0	88492	-3685
24	Attitude Control With SEP, Outbound	88492	6	0	0	2600		20	0	0	88472	-20
25	Drop Outbound Used Consumables	88472	0	0	0			0	0	0	86147	-2325
26	MOI burn to 5 SOL	86147	0	138	0	351		0	3381	0	82766	-3381
27	Reorient For Mars Departure	82766	11	0	0	2600		37	0	0	82729	-37
28	5-Sol Parking Orbit Maintenance	82729	20	0	0	2600		65	0	0	82664	-65
29	300 Days of attitude Control with SEP	82664	19	0	0	2600		60	0	0	82604	-60
30	Transfer 250 kg of samples from Martian Surface	82604	0	0	0			0	0	0	82854	250
31	Drop Used Consumables From 300d Stay	82854	0	0	0			0	0	0	77958	-4896
32	TEI from 5-sol	77958	0	220	0	351		0	4825	0	73133	-4825
33	Earth Return DV1	73133	2448	0	0	2600		6695	0	0	66439	-6695
34	Earth Return DV2	66439	609	0	0	2600		1567	0	0	64872	-1567
35	Attitude Control With SEP, Inbound	64872	8	0	0	2600		20	0	0	64852	-20
36	Drop Inbound Used Consumables	64852	0	0	0			0	0	0	62727	-2125
37	2 LGA, Achieve LDHEO	62727	0	20	0	351		0	363	0	62363	-363
38	LDHEO Orbit Maintenance	62363	30	0	0	2600		73	0	0	62290	-73
39	Orion arrives and docks with DST	62290	0	0	0			0	0	0	83380	21090
40	LDHEO Orbit Maintenance	83380	20	0	0	2600		65	0	0	83315	-65
41	Orion departs with crew to return safely to Earth	83315	0	0	0			0	0	0	61897	-21418
42	Target LGA	61897	0	20	0	351		0	359	0	61538	-359
43	LDHEO to NRHO via WSB	61538	45	0	0	2600		109	0	0	61429	-109
44	ACS Prop For Potential Safe Modes	61429	0	0	9		330	0	0	180	61249	-180
Totals After Resupply At Gateway			6556	798	9			21118	21246	180		
45	Transfer required RCS propellant from commercial tanker	61249	0	0	0			0	0	0	62194	945
46	Dock To Gateway	62194	0	0	45		330	0	0	859	61335	-859
Total			6619	798	88			21226	21246	1254		

This section will provide a more detailed explanation for the ΔVs captured in Table 2 and applied throughout the various phases of the mission. These ΔVs were used to derive the propellant masses for the chemical and EP systems.

1. Launch through Docking with Gateway (Phases 1 to 9 in Table 2)

The DST launches on the SLS with enough propellant to reach the NRHO and dock with Gateway. The launch includes a 23,813 kg inert Transport Module (the propulsion and power portion of the DST), a 19,760 kg inert Habitat mass, along with 1,074 kg usable RCS/ACS and 108 kg of usable xenon, for a total launch mass of 44,756 kg. The RCS/ACS system is used to null tip-off rates, correct insertion errors and target a LGA, as well as provide attitude control and perform the docking maneuver to Gateway in the NRHO. The EP system is assumed to perform the necessary ΔV to transfer into the NRHO via the WSB following an LGA, as well as provide attitude control during the transfer. It is assumed that Gateway provides all required orbit maintenance and attitude control while DST is docked to it in the NRHO.

2. Refit DST with Propellant and Logistics in the NRHO (Phases 10 to 12 in Table 2)

The amount of usable propellant required to complete the remaining portion of the mission was calculated by applying the rocket equation to all remaining ΔVs, ensuring that the vehicle inert mass was returned to Earth. The usable propellant includes 21,118 kg of xenon, 21,246 kg of main chemical propellant, and 180 kg of RCS/ACS propellant. Including margin, a total of 44,680 kg of propellant is loaded onto DST while in the NRHO, as seen on

line 10. In addition to propellant, 14,040 kg of logistics, as well as 1,896 kg of items that were offloaded from the Habitat at launch are also loaded on DST, as seen on lines 11 and 12 in Table 2.

3. *Depart NRHO, Rendezvous with Crew in LDHEO, Transfer Additional Logistics (Phases 13 to 17 in Table 2)*

After refueling and outfitting, the DST then departs the NRHO to rendezvous with Orion in an LDHEO. Orion brings a 13,000 kg co-manifested logistics module and docks to the DST in the LDHEO. The crew transfer 8,700 kg of logistics from the logistics module to the DST.

4. *Earth Departure (Phases 18 to 21 in Table 2)*

With all required propellant and logistics loaded, and the crew onboard, the DST is ready to depart for Mars. The now un-crewed Orion vehicle separates from DST along with the empty logistics module. The DST performs phasing burns to target the 2 LGA sequence to increase the outgoing C_3 to a value of $2 \text{ km}^2/\text{s}^2$. The chemical system performs a TMI burn to further increase the departure energy following the LGA maneuvers.

For a detailed explanation of the heliocentric portion of the mission, the 300 day stay at Mars, and return to the NRHO (phases 22 to 44), see section A, baseline reference trajectory.

Once back in the NRHO, the DST docks to Gateway. Rather than carry all of the required propellant to perform this docking maneuver (859 kg) all the way to Mars and back, it was assumed that a commercial flight would bring up the required propellant, dock to DST and transfer it prior to DST docking with Gateway.

IV. Spacecraft and Mission Growth Approach

The Compass Team utilizes the AIAA S-120-2006, “Standard Mass Properties Control for Space Systems,” as the guideline for its mass growth calculations. To provide clarity, the mass terms and approach, which follow the AIAA guidelines and are utilized by the Compass team for this design are described below.

Basic mass is the bottoms-up estimate of component mass, as determined by the subsystem leads. This design assessment is the estimated, calculated, or measured (actual) mass, and includes an estimate for undefined design details like cables, multilayer insulation, and adhesives. Basic mass is subject to change as the design matures, therefore subsystem designers estimate this growth, called mass growth allowance (MGA). MGA is the predicted change to the basic mass of an item based on an assessment of its design maturity, fabrication status, and any in-scope design changes that may still occur. Propellant mass (including pressurant) is carried in the Basic Mass listing, but the growth approach is unique, as MGA is not applied to it. Margins on propellant are carried in the propellant calculation itself or in the ΔV used to calculate the propellant required to fly a mission. When MGA is added to the basic mass, the resulting number is the predicted mass. Basic mass, MGA, and predicted mass are represented as separate columns on Table 3 and Table 4, with predicted mass shown in Table 7.

Estimated spacecraft dry mass is the total basic mass for the spacecraft element, without propellant. When propellant is included with the basic mass, this number becomes the estimated spacecraft wet mass, and includes propellant used, predicted boil-off, residuals, reserves, etc.

As previously mentioned, Compass follows AIAA S-120-2006, where the total growth is prescribed to be 30% of the Dry Mass of the entire spacecraft system. When 30% is applied to this design, the resulting number is represented in Table 3 and Table 4 as “Dry Mass Desired System Level Growth.”. When the growth for each subsystem is compiled, an aggregate growth percentage can be determined, as a percentage of total estimated spacecraft dry mass. It is often necessary to carry additional growth beyond the aggregate MGA at the Spacecraft level, such that the total spacecraft system reaches the dry mass desired system level growth of 30%. This additional growth is reflected in Table 3 and Table 4 as “Additional Growth (carried at system level), or “System Level Growth.”

Finally, when the basic mass, MGA, and system level growth are summed together, including propellant, the result is the “Total Wet Mass with Growth” or “Total Mass.” These terms and concept are captured graphically in Figure 4.

The mass and growth terms and approach as discussed, are applied to this design study, and the resulting numbers are illustrated in Table 3 for the Power and Propulsion Transport Element, and Table 4 for the Payload Element.

V. DST Propulsion and Power Stage Subsystem Summaries

Referred to as the baseline DST concept design, this concept assumed the use of a cryogenic chemical propulsion system and a near-term Hall thruster electric propulsion system. This design was an integrated single launch design, and the masses of the Transport module and the Payload (Habitat) are summarized on Tables 3 and 4 respectively. Rather than design them as two separate elements, the DST was designed as an integrated single spacecraft which included both the crew Habitat and the propulsion transport module. Everything not in the crew Habitat can be

described as a power and propulsion transport module. In order to design this Transport module, assumptions were made as to systems available on the habitat and requirements from the Habitat that were levied on the DST propulsion and power transport module.

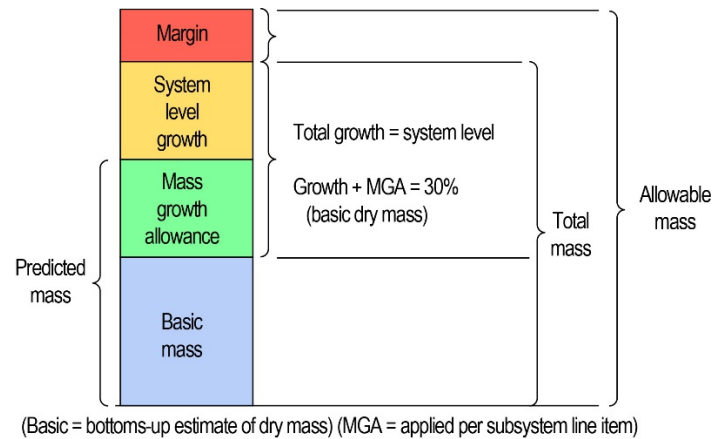


Figure 4: Graphical illustration of the definition of basic, predicted, total and allowable mass

Table 3: Baseline DST Propulsion and Power Stage Mass Summary

Spacecraft MEL			
Main Subsystems	Basic Mass (kg)	Growth (kg)	Predicted Mass (kg)
Power and Propulsion Transport	19633	2993	22627
Attitude Determination and Control	44	1	45
Command & Data Handling	85	24	110
Communications and Tracking	10	1	11
Electrical Power Subsystem	4960	864	5824
Thermal Control (Non-Propellant)	1713	308	2022
Propulsion (Chemical Hardware)	2675	376	3051
Propellant (Chemical)	1476		1476
Propulsion (EP Hardware)	3144	451	3595
Propellant (EP)	137		137
Structures and Mechanisms	5389	967	6356
Estimated Transport Dry Mass	18020	2993	21013
Estimated Transport Wet Mass	19633	2993	22627
Dry Mass Desired System Level Growth	18020	5406	23426
Additional Growth (carried at system level)		2413	
Total Wet Mass with Growth	19633	5406	25039

Table 4: Baseline DST Payload Mass Summary

Spacecraft MEL			
Main Subsystems	Basic Mass (kg)	Growth (kg)	Predicted Mass (kg)
Payload	19760	0	19760
Hab Module	19631	0	19631
Attitude Determination and Control	49	0	49
Electrical Power Subsystem	80	0	80
Estimated Payload Dry Mass	19760	0	19760
Estimated Payload Wet Mass	19760	0	19760
Dry Mass Desired System Level Growth	19760	0	19760
Additional Growth (carried at system level)		0	
Total Wet Mass with Growth	19760	0	19760

In this Compass design, the external components of which are shown in Figure 5, the main propulsion system was a hybrid configuration and consisted of both a chemical LO_x/LCH₄ cryogenic system and a 13.3 kW Hall thruster electric propulsion system. These two systems were based on the LO_x/LCH₄ systems that are currently being assumed

as main propulsion system for the Mars ascent vehicle under study by NASA human Mars concept studies and the PPE which is planned as the first element of NASA’s Gateway, respectively. For the Compass baseline concept, the primary chemical propulsion system consisted of four 1000 lbf LO_x/LCH₄ thrusters for main chemical propulsion and forty-eight 100 lbf GO_x/GCH₄ thrusters for Reaction Control System (RCS). The trajectory design required ~ 15 t of cryogenic LO_x/LCH₄. The main propulsion system’s propellant was assumed to be actively cryocooled (~ 1000 W input) to maintain zero boiloff and was assumed to be designed to be refueled on-orbit. The primary SEP system consisted of two pallets of twelve 13.3 kW Hall thrusters each and twelve cylindrical xenon tanks carrying the 22 t of xenon propellant required to perform the roundtrip trajectory. This xenon propellant is also assumed to be refueled on-orbit before each use and reuse of the DST.

The power system supplied 13.3 kW for each thruster, and individual PPU’s (Power Processing Units) were included to provide high voltage (600 V) to the Hall thrusters. In addition to the EP system power, the arrays also supplied 29 kW of power to the Habitat. The design of the power system consisted of two ~250 kW BOL/1 AU Mega ROSA arrays, running at 120 V from primary solar array. These arrays were common 27- by 8-m ROSA panels using triple junction ZTJ cells and suspended away from the main vehicle structure on booms to avoid the crew vehicle and thrust plumes. The BOL solar array power for the baseline Case 1 (and for Case 2 as well) operating at 120 V was 485 kW. The solar arrays were a total area of 1029.7 m² and total mass of 1650 kg.

For the purpose of this concept design, the Command and Data Handling (C&DH) and communications systems primarily relied on the larger systems assumed to be present on the crew Habitat to provide far range communications and vehicle propulsion system and attitude system operations. The main computers on board the DST propulsion module would interface with Habitat and have a minimum of 100 GB data on board storage. For navigation while in the NRHO, before the crew meets the DST in the Orion and transfers to the DST, two redundant X-band systems for hybrid module operation which were separate from the Habitat were assumed on the DST propulsion module. The Habitat computers were assumed responsible for generating the trajectory for main propulsion and commanding the RCS for control.

The Thermal Control system consisted of roughly 119 m² of deployed radiators capable of radiating ~32,000 W from the SEP, PMAD and module systems. It was assumed that the Habitat would have its own thermal systems and the propulsion and power module of the DST would not be responsible of thermal control of the Habitat.

The Guidance Navigation and Control (GN&C) system consisted of RCS thrusters and, although not included in the baseline design, potentially CMGs. Star trackers were included to provide pointing knowledge.

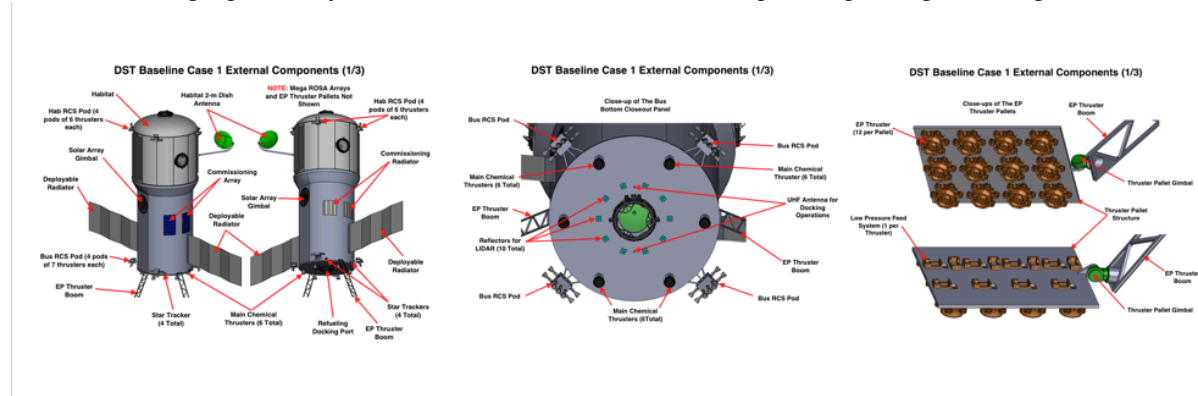


Figure 5: Three views of the DST Baseline Case identification of External Components

VI. Spacecraft Configuration

The conceptual DST was designed to fit inside a single SLS 8.4m fairing during launch. Figure 6 shows the notional DST concept design, consisting of the integrated crew Habitat (top) and power and propulsion Transport Module (bottom) as it would fit inside the SLS 8.4 m shroud. The booms for both the solar arrays and the thrusters are folded in order to stow both arrays against the main fuselage. Notional dimensions of the design are shown, and the configuration follows the envelope guidance in the SLS payload planners guide. [17]

Shortly after insertion on the TLI toward the moon, the NRHO, the DST deploys both solar arrays and thruster booms as shown in Figure 7. The purpose for separating the thruster pods from the vehicle with booms is to prevent the thruster plumes from impinging on the main vehicle and the solar arrays. Likewise, the solar array booms allow for both articulation of the arrays to track the Sun and to provide clearance to keep the arrays out of the thruster pod

plumes. Notional dimensions of the deployed configuration are also shown in Figure 6. When fully deployed, longest dimension across the solar arrays is 84.01m. The two solar array panels are each 39.09m x 28.46m. The solar array booms offer 10.91m distance between the DST power and propulsion module nad the solar array

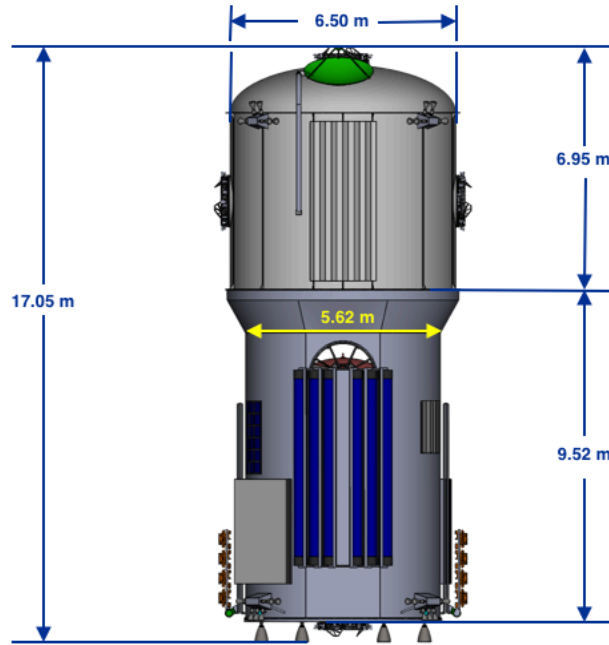


Figure 6: DST Stowed Configuration with Dimensions

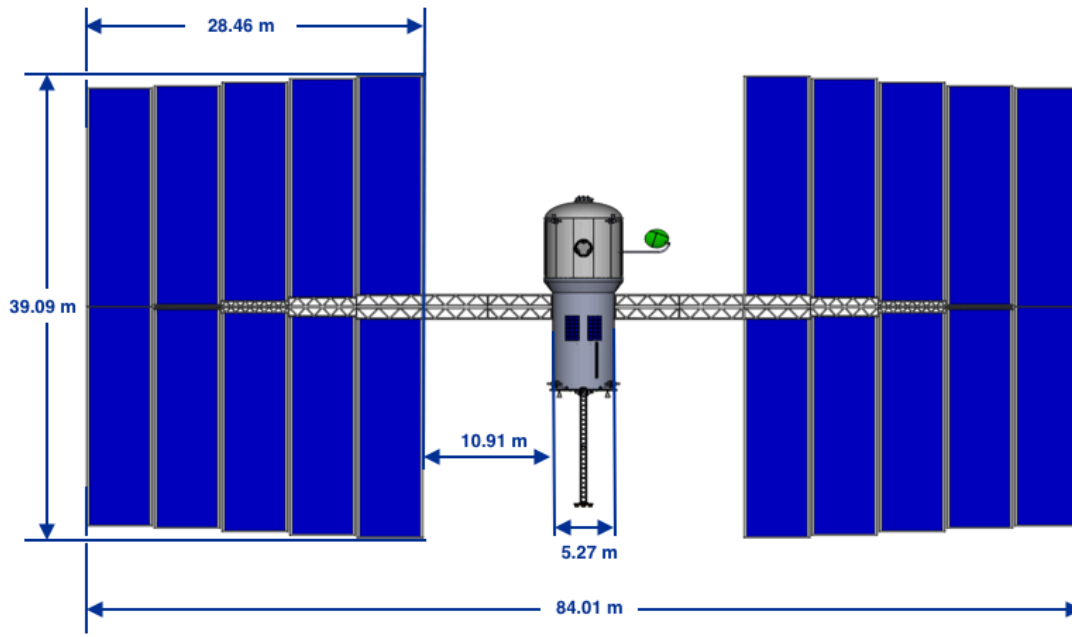


Figure 7: DST Deployed Configuration with dimensions

VII.Trade Summary

In additional to the single point design of the SEP/Chem hybrid vehicle, the Compass Team design study focused on technology trades in both the chemical and electric propulsion systems. Two different chemical propulsion technologies (LO_x/LCH₄ and storable NTO/MMH systems) were traded to understand the impact on the vehicle design

and corresponding trajectory. Utilizing these systems on the DST in addition to the landed assets could allow for cost and technology development savings in the overall Mars architecture. NASA’s Mars architecture currently under study makes wide use of the performance gains of LO_x/CH₄ systems. Additionally, two different electric propulsion thruster string systems (13.3 kW AEPS Hall Effect and future technology 50 kW Hall effect) were examined to understand the benefits to the mission for developing more efficient, higher power thruster strings. The 13.3 kW AEPS thruster string, also referred to as the HERMeS thruster [18], will be demonstrated on NASA’s upcoming PPE which will provide propulsive capability for Gateway.

The baseline case performed by Compass for the MSC team and captured in this paper assumed the use of a LO_x/LCH₄ chemical propulsion system and the AEPS 13.3 kW EP thruster strings. The driving assumption behind this case (Case 1 in Table 5) was to keep all subsystems as close to near term technology where possible, while leveraging technologies being utilized by other human exploration vehicles. For example, the system voltage was assumed to be 120 V and the solar array design assumed 29.5% efficient ZTJ cells. The EP system relied on the 13 kW AEPS contract string operating only at their current 600 V set point. Being unable to operate at a lower voltage reduced the SEP thrust level for the outbound leg of the trajectory leading to the need for a chemical TMI burn requiring ~10 t of chemical propellant. In Case 2 the chemical system was changed from the cryo-propellant system assumed in Case 1 to a more near-term technology storable system using NTO/MMH as the propellants. In Case 3, the cryo-propulsion system from Case 1 was paired with a proposed future high-power Hall Effect Rocket with Magnetic Shielding (HERMeS') 50 kW EP thruster strings and the solar array harness was run at 300V using the same ZTJ cells as cases 1 and 2. HERMeS' is the next iteration of the AEPS thrusters being developed for in-space EP system applications. This development was based on the identified need for SEP thruster systems capable of operating at Isp in the 2000s range at full power. The HERMeS' thruster will be designed to operate near 50kW at the lower 300V/2000s setpoint (necessitating a ~150amp cathode compared to AEPS ~20-amp cathode). The PPE will demonstrate and characterize the high-power SEP system utilizing the AEPS thrusters. This on-orbit data from PPE combined with the HERMeS' ground-testing will lead to high-confidence in the HERMeS' thruster string.

Table 5: Propulsion Trades Case Description Summary

Subsystem details per Trade Case	Case 1: (Baseline) Near Term SEP + LO _x /LCH ₄	Case 2: Near Term SEP + Storable Chem	Case 3: 50 kW EP Thruster Strings + LO _x /LCH ₄
Electric Propulsion system	13.3 kW Hall thruster strings, 120 V PPU	13.3 kW Hall thruster strings, 120 V PPU	50 kW EP strings, 300 V PPU
Chemical Propulsion system	Cryo LO _x /LCH ₄	Storable Chemical NTO/MMH	Cryo LO _x /LCH ₄
Communications	UHF use Habitat comm	UHF use Habitat comm	UHF use Habitat comm
Launch Vehicle	SLS, 8.4 m fairing	SLS, 8.4 m fairing	SLS, 8.4 m fairing
Power (SAS)	485 kW (BOL 1 AU)	485 kW (BOL 1 AU)	509 kW (BOL 1 AU)
Solar Array cell technology and voltage	120 V, ZTJ cells	120 V, ZTJ cells	300 V, ZTJ cells

A. Propulsion System Trade: Effects on the SEP-Hybrid Trajectory

Three separate DST concept designs were completed to evaluate technology trades in the chemical and electric propulsion systems including two different EP thrusters and two different main and RCS propellant combinations.

As discussed, two EP thrusters were evaluated: the 13.3 kW Advanced Electric Propulsion System (AEPS) Contract Hall thruster strings and the NASA proposed 50 kW HERMeS' thruster strings. For cases using the AEPS thruster strings, 24 total thrusters were placed on the DST Transport module resulting in a maximum power of approximately 319 kW usable by the thrusters. For cases using the HERMeS' thrusters, eight total thrusters were placed on the SEP-Chem bus resulting in a maximum power of approximately 400 kW usable by the thrusters.

The trajectory analysis used the 13.3 kW AEPS contractual performance requirements 600 V (13.3 kW at 600 V) performance curve for SEP propulsion system. [19] This operation point corresponds to a specific impulse of approximately 2666 s at 13.3 kW. Optimal operation of an SEP system of this type for the SEP-Hybrid mission is higher thrust (300 V) during the outbound leg and higher Isp (600 V) during the return leg. However, because the AEPS can only operate at a single voltage setting, 600 V, insufficient thrust is produced to achieve the acceleration necessary to eliminate a TMI burn.

As previously mentioned, HERMeS' is a proposed next iteration of the AEPS thrusters being developed for PPE and would be a scaled-up version of the HERMeS/AEPS thruster with a new PPU capable of providing full power operation at two voltage setpoints, 300 and 600 V, respectively. This corresponds to a specific impulse at 50 kW of

approximately 2000 and 2600 s, respectively. The increased thruster string power also reduced the required number of thruster strings from twenty-four down to eight, thereby reducing the overall complexity of the EP system.

A trade to evaluate cryogenic versus storable propellant storage resulted in two different chemical propellant combinations: LO_x/LCH₄ Main Propulsion with supercritical bipropellant RCS, and monomethyl hydrazine and nitrogen tetroxide (MON-3). A summary of the Compass point designs is given in Table 6. In this table, Case 1 represents the trajectory used for the baseline DST design outlined in this paper. Further details on the impacts of the propulsion system trades on the SEP-Hybrid trajectory can be found in [6].

A Summary of the total masses and subsystem masses of the three main propulsion system trades can be found in Table 7. The masses shown in this table are predicted mass, whose definition was previously described.

Table 6: Summary of Interplanetary Trajectories for Compass Technology Trade Point Designs

Performance Highlights	Case 1: (Baseline) Near Term SEP+LO _x /LCH ₄	Case 2: Near Term SEP+Storable Chem	Case 3: 50 kW EP Thruster Strings +LO _x /LCH ₄
EP Thruster Power	13.3 kW	13.3 kW	50 kW
EP Thruster Curve(s)	AEPS Contract	AEPS Contract	HERMeS'
Number of EP Thruster Strings	24	24	8
EP system power (kW)	319	319	400
Total Interplanetary TOF (d)	1036	1035	1035
Total SEP DV (m/s)	6264	6317.1	6557.8
Outbound SEP DV (m/s)	3196	3221.0	3485.2
Re-orientation SEP DV (m/s)	11.4	11.2	9.5
Inbound SEP DV (m/s)	3056.4	3084.9	3063.1
Total Chem DV (m/s)	717.9	704.7	359.9
TMI DV (m/s)	360.2	353.6	0.0
MOI DV (m/s)	137.8	136.5	139.3
TEI DV (m/s)	219.9	214.6	220.6
Total Xenon Propellant (t)	20.2	20.2	24.9
Total Chemical Propellant (t)	19.4	21.1	8.0
Mass at Earth Escape (t)	111.9	112.7	103.3
Mass at Earth Return (t)	63	62	61
Acceleration following TMI (km/s ²)	1.318×10 ⁻⁷	1.322×10 ⁻⁷	1.894×10 ⁻⁷

Table 7: Propulsion Trade DST Predicted Mass Comparison at Launch

System Description	Case 1: (Baseline) Near Term SEP+ LO _x /LCH ₄	Case 2: Near Term SEP+Storable Chem	Case 3: 50 kW EP Thruster Strings + LO _x /LCH ₄
	Mass (kg)	Mass (kg)	Mass (kg)
DST Total Mass	42395	41192	40511
Power and Propulsion Transport	22627	21423	20742
Science	45	45	45
Attitude Determination and Control	110	110	110
Command and Data Handling	11	11	11
Communications and Tracking	5824	5754	5286
Electrical Power System	2022	1794	1758
Thermal Control (non-Propellant)	3051	2496	2664
Propulsion (Chemical Hardware)	1476	1353	1420
Propellant (Chemical)	3595	3595	3831
Propulsion (EP Hardware)	137	136	133
Propellant (EP)	6356	6131	5484
Structures and Mechanisms	19769	19769	19769
Payload	19631	19631	19631
Hab Module	49	49	49
Attitude Determination and Control	89	89	89
Electrical Power System	44799	43671	42705
Total Mass with System Growth	42395	41192	40511

VIII. Conclusion

The Compass baseline DST design Case 1, which assumed near term SEP and advanced LO_x/LCH_4 successfully fit on a single SLS launch (104 kg of launch margin) but had a slightly larger departure wet mass (112 mt) compared to Case 2 and Case 3. This design stretched the bus dimensions to allow for single format ROSA elements. While the AEPS thruster is capable of operating at a lower Isp in the range of 2000 s, it has to be run at half power (~6 kW, limited by 20-A cathode) in order to do so. This would necessitate the vehicle be configured with 48 thruster strings to use the available power and provide the desired thrust to perform the Earth departure portion of the low thrust transfer.

The second design case, Case 2, which included the use of the same near-term SEP as Case 1 but utilized Orion's storable chemical propellant propulsion systems (thrusters, tanks, etc.) instead of the lower TRL LO_x/LCH_4 systems, allowed for even more dry mass launch margin. Because both the EP and the Chemical propulsion systems apply near term technology, the overall design has less technology development/risk. The current Mars mission CONOPS proposed that DST would be launched earlier than the other landed elements. This design results in an overall shorter vehicle by ~ 2 m. Because the storable propulsion system is less efficient (lower Isp) than LO_x/LCH_4 , this design slightly increases the refuel propellant mass (1.7 t) required per launch.

The last case examined, Case 3, replaced the near-term SEP system with theoretical advanced SEP (50 kW strings) and 300 V arrays and retained the advanced LO_x/LCH_4 system of the baseline Case 1. Because this was a case assuming future technology developments, the solar arrays were assumed to run at a high voltage of 300 V but still using ZTJ cells. The arrays were run unregulated but capped at a max voltage to simplify the PPU design. This higher voltage resulted in a lower total solar array system mass for the same solar array areas (1029.7 m²) than Cases 1 and 2 (1532 kg instead of 1650 kg). Using the higher power SEP system eliminated the need for a chemical departure burn and therefore reduced the total round-trip mission propellant requirements by >10 t of chemical propellant. By using a thruster and PPU capable of 2000 s operation at 50 kW (~ 150 A cathode), the more efficient EP system was able to perform more of the Earth departure ΔV . Using fewer thruster strings and associated PPUs on the booms reduced the complexity of the thruster system design. The reduction in chemical propellant required to perform the mission, and subsequent reduction in tank size, shortened the concept vehicle by about 2 m.

IX. Forward Work

As NASA's Mars teams continue to develop the architecture concepts for human missions to Mars, the Compass team will continue to update these design studies. Going forward, the team plans to update and fully document the concept design presented in this paper, once the assumptions used here are updated in the current design analysis cycles. For example, concept design work is still ongoing for the pressurized Habitat as well as determination of supplies and equations to guide consumables as a function of crew and crew trip time. Using these new payloads, the Compass team will continue these vehicle concept designs to identify technology performance to determine the best mix of SEP power level, associated Isp and chemical propellant loads. In addition to the combination of SEP and Chemical propulsion technology options examined in this paper, future analysis will evaluate the combination of storable propellants and number of high power, high thrust EP thrusters.

Acknowledgments

The authors wish to thank the outstanding men and women of the Compass team for their dedication to performing the many design studies involved in completing the various trades presented in this paper. Thank you to Compass' summer intern artist in residence, Alex Pawlusik, for bringing our concept designs to life. Special thanks to Dan Herman and his talented electric thruster experts for providing the estimated performance curves of the current AEPS and future higher power hall thrusters. Thank you to John Connolly, the lead of the Mars Study Team, for his guidance and support in steering the requirements for the human Mars mission concepts. And lastly, thank you to our project management, Dr. Michael Barrett, and line management, Josh Freeh and Derrick Cheston, for their support as we try to devise new and interesting solutions to future human Mars transportation options.

References

- [1] Connolly, John, *Deep Space Transport and Mars Mission Architecture (Presentation)*, Oct. 17. 2017, https://invite.jsc.nasa.gov/presentations/b2/D1_Mars_Connolly.pdf.
- [2] Mercer, C.R., Oleson, S.R., and Drake, B.G., "A Combined Solar Electric and Storable Chemical Propulsion Vehicle for Piloted Mars Missions," *SPACE 2013 Conference and Exposition*, AIAA 2013-5492, San Diego, CA, 2016. See also NASA/TM—2014-218093, 2014.
- [3] Drake, B.G. (ed.), "NASA's Decadal Planning Team Mars Mission Analysis Summary," NASA/TM-2007-214761, JSC-63725, 2007.
- [4] Percy, T.K., McGuire, M., and Polsgrove, T., "In-Space Transportation for NASA's Evolvable Mars Campaign," *AIAA Space and Astronautics Forum and Exposition (AIAA SPACE 2015)*, AIAA 2015-4519, Pasadena, CA, 2015.
- [5] Burke, Laura M., Martini, Michael C. and Oleson, Steven R., "A High Power Solar Electric Propulsion - Chemical Mission for Human Exploration of Mars," *50th AIAA/ASME/SAE/ASEE Joint Propulsion Conference*; 28-30 Jul. 2014; GRC-E-DAA-TN16239, Cleveland, OH.
- [6] Gefert, L.P., Hack, K.J., "Low-Thrust Control Law Development for Transfer from Low Earth Orbits to High Energy Elliptical Parking Orbits," AAS/AIAA Astrodynamics Specialist Conference, AAS 99-410, 16-19 AUGUST 1999, Girdwood, Alaska.
- [7] Freeh, J.E., Burke, L.M., Sjauw, W.K., McGuire, M.L., and Smith, B.K., "Comparison of Solar Electric and Chemical Propulsion Missions," *66th International Astronautical Congress (IAC 2015)*, IAC-15-D1.4.312-16, Jerusalem; Israel, 2015.
- [8] Gefert, L.P., Hack, K.J., Kerslake T.W., "Options for the Human Exploration of Mars using Solar Electric Propulsion," *STAIF Conference*, Albuquerque, 1999.
- [9] Burke, L.M., Oleson, S.R., Newman, J.M., and McGuire M.L., "Impact of Propulsion System Technology Trades on the Hybrid Solar Electric-Chemical Propulsion Deep Space Transport (DST) Vehicle Crewed Mission to Mars," *pre-publication NASA TM 2018*.
- [10] Borowski, S.K., McCurdy, D.R., and Packard, T.W., "Nuclear Thermal Propulsion (NTP): A Proven, Growth Technology for Fast Transit Human Missions to Mars," *Space 2013 Conference and Exposition*, AIAA 2013-5354, 10-12 Sep. 2013; San Diego, CA, 2013. See also NASA/TM-2014-218104, 2014.
- [11] Drake, B.G., Hoffman, S.J., and Beaty, D.W., "Human Exploration of Mars Design Reference Architecture 5.0," *2010 IEEE Aerospace Conference*; IEEEAC paper 1205-13, Big Sky, MT; 2010.
- [12] Drake, B.G. (ed.), "Human Exploration of Mars Design Reference Architecture 5.0, Addendum," NASA/SP-2009-566-ADD.
- [13] Hambleton, K. "Deep Space Gateway to Open Opportunities for Distant Destinations." NASA. NASA, 28 Mar. 2017. Web. 25 May 2017. <https://www.nasa.gov/feature/deep-space-gateway-to-open-opportunities-for-distant-destinations>.
- [14] Williams, Jacob, Lee, David E., Whitley, Ryan J., Bokelmann, Kevin A., Davis, Diane C., Berry, Christopher F. "Targeting Cislunar Near Rectilinear Halo Orbits for Human Space Exploration." 27th AAS/AIAA Space Flight Mechanics Meeting, AAS 17-267, 5-9 Feb. 2017; San Antonio, TX.
- [15] C. Ocampo and J. Senent, "The Design and Development of COPERNICUS: A Comprehensive Trajectory Design and Optimization System," Paper IAC-06-C1.4.04, Oct. 2006.
- [16] J. Williams, "Copernicus Trajectory Design and Optimization System," NASA. NASA, 3 Nov. 2016. Web. 11 Jan. 2017. <https://www.nasa.gov/centers/johnson/copernicus/index.html>.
- [17] "Space Launch System (SLS) Mission Planner's Guide," Apr 12, 2017. <https://ntrs.nasa.gov/archive/nasa/casi.ntrs.nasa.gov/20170005323.pdf>.
- [18] Huang, Wensheng, Williams, George J., Peterson, Peter Y., Kamhawi, Hani, Gilland, James H., and Herman, Daniel A., "Plasma Plume Characterization of the HERMeS During a 1722-hr Wear Test Campaign," 35th International Electric Propulsion Conference (IEPC), NASA/TM-2017-219726, IEPC-2017-307, 8-12 Oct. 2017, Atlanta, GA.
- [19] Stanley, S., Allen, M., Goodfellow, K., Chew, G., Rapetti, R., Tofil, T., Herman, D., Jackson, J., and Myers, R., "Development of a 13 kW Hall Thruster Propulsion System Performance Model for AEPS," *53rd AIAA/SAE/ASEE Joint Propulsion Conference*, AIAA 2017-4726, Atlanta, GA, 2017.