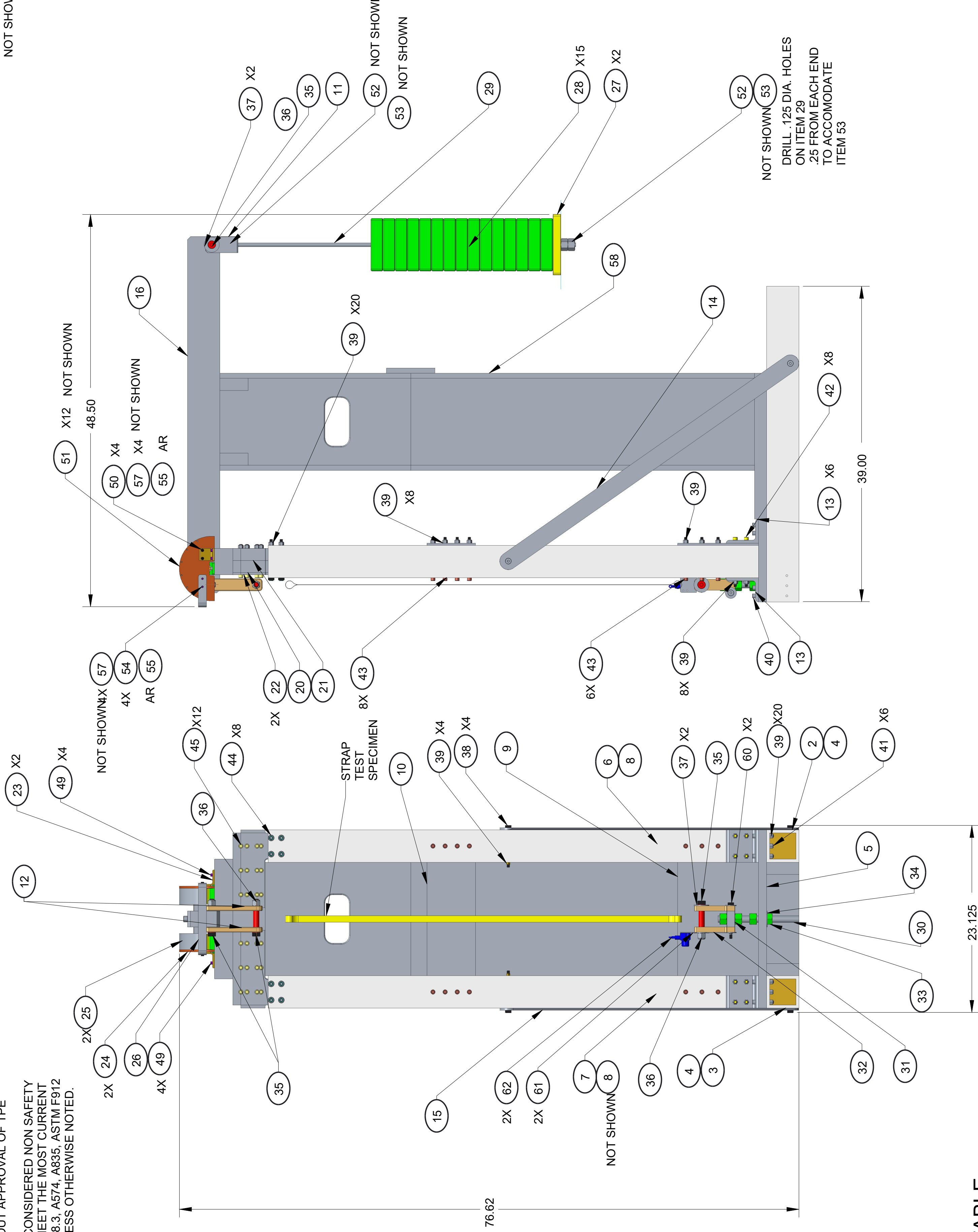


NOTES:

- 1. INTERPRET THIS DRAWING PER DOD-D-1000 AND DOD-STD-100
- 2. INTERPRET DIMENSIONS AND TOLERANCES PER ANSI Y14.5 (LATEST REVISION AT TIME OF DRAWING RELEASE)
- 3. REMOVE ALL BURRS AND SHARP EDGES
- 4. SURFACE ROUGHNESS OF 63 MICRONS
- 5. NO FIOS REQUIRED
- 6. NO DEVIATIONS WITHOUT APPROVAL OF TPE
- 7. ALL FASTENERS ARE CONSIDERED NON SAFETY CRITICAL AND SHALL MEET THE MOST CURRENT REVISION OF: ASME B18.3, A574, A835, ASTM F912 AS APPROPRIATE, UNLESS OTHERWISE NOTED.

TORQUE TABLE

SIZE	TORQUE IN-LBS
7/8-9 UNC	8250
3/4-10 UNC	4800
5/8-11 UNC	2720
1/2-13 UNC	1440
3/8-16 UNC	592
1/4-20 UNC	160
10-24 UNC	63



-1 MAIN FRAME ASSEMBLY (6 REQ'D.)

SCALE 1/8

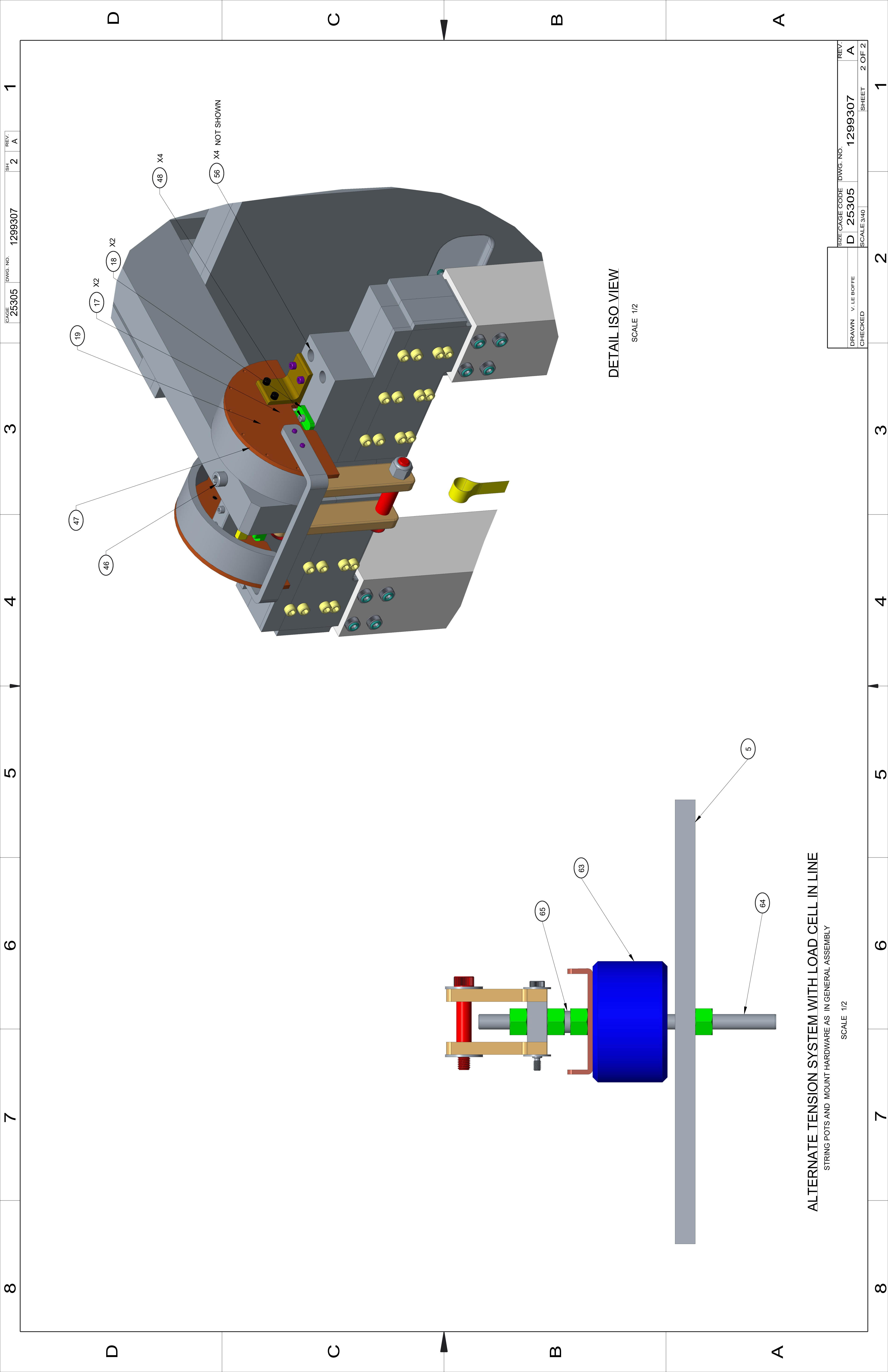
QTY	REQ'D	CAGE CODE	PART OR IDENTIFYING NO.	NOMENCLATURE DESCRIPTION	MATERIAL SPECIFICATION	ITEM NO.
1			-1	MAIN FRAME ASSEMBLY		1
1			9	LEAD ENGR.	V. LE BOFFE	05-07-18
1			1	BRANCH		
1				SPECIAL MARKING BY:		
1				SIMILAR TO		
1				N.A.		
1				FINISH		
1				TREATMENT		
1				XXX 0.02		
1				XXX 0.05		
1				XXX 0.1		
1				ANGULAR		
1				TOLERANCES		
1				UNLESS OTHERWISE SPECIFIED		
1				CONTRACT NO.		
1				APPROVALS		
1				DRAWN		
1				CHECKED		
1				DESIGNER		
1				DATE		
1				TITLE		
1				NATIONAL AERONAUTICS & SPACE ADMINISTRATION		
1				LANGLEY RESEARCH CENTER		
1				HAMPTON, VA 23681-0001		
1				SCALE		
1				SIZE		
1				CAGE CODE		
1				DWG. NO.		
1				REV.		
1				1299307		
1				A		
1				1 OF 2		

QTY	REQ'D	CAGE CODE	PART OR IDENTIFYING NO.	NOMENCLATURE DESCRIPTION	MATERIAL SPECIFICATION	ITEM NO.
1			-1	MAIN FRAME ASSEMBLY		1
1			1	R.H. LOWER FRAME BEAM	4"x4"x.375"THK. AL 6061-T6	2
1			1	L.H. LOWER FRAME BEAM	4"x4"x.375"THK. AL 6061-T6	3
1			1	WOOD FILLER BLOCK		4
1			1	BASE PLATE 22"x 10" X 1.0"		5
1			1	R.H. UPPER FRAME BEAM		6
1			1	L.H. UPPER FRAME BEAM		7
1			1	WOOD FILLER BLOCK		8
1			1	TIE-IN PLATE LOWER 22"x10"x.25"		9
1			1	TIE-IN PLATE UPPER 22"x10"x.25"		10
1			1	WEIGHTS YOKES		11
1			1	SPECIMEN SWING PLATE		12
1			1	ANGLE MOUNT 3"x4"x .375"		13
1			1	SIDE BRACE 2.125"x2.25"x.25"		14
1			1	SIDE BRACE 2.125"x2.25"x.25"		15
1			1	CANTILIVER BEAM 2"x4"x44"		16
1			1	MALE PIVOT		17
1			1	FEMALE PIVOT		18
1			1	CANTILIVER MOUNT BEAM		19
1			1	CROSS BEAM WITH MOUNT		20
1			1	REAR CROSS BEAM		21
1			1	FRONT FILLER PLATE		22
1			1	ANGLE MOUNT		23
1			1	FENDER COVER		24
1			1	CONNECTOR BAR		25
1			1	WEIGHT BASE		26
1			1	WEIGHT 40 LBS		27
1			1	7/8-9 THREADED ROD 43.5" LG.		28
1			1	8-11 HEX NUT		29
1			1	3/4 SCREW WASHER .770 ID		30
1			1	3/8-16 UNC SHCS 2.5 LG.		31
1			1	3/8-16 UNC SHCS 5.0 LG.		32
1			1	3/8-16 UNC SHCS 2.25 LG.		33
1			1	7/8-9 UNC HEX NUT GRADE 8		34
1			1	7/8 SCREW WASHER 2.0 OD		35
1			1	3/4 DIA SHOULDER BOLT 3.25 IN LG.		36
1			1	5/8-11 HEX NUT		37
1			1	1/2 DIA SHOULDER BOLT 4.25 IN LG.		38
1			1	9/16-18 UNC SHCS 4.00 LG.		39
1			1	9/16-18 UNC SHCS 5.0 LG.		40
1			1	9/16-18 UNC SHCS 2.5 LG.		41
1			1	1/2 DIA SHOULDER BOLT 4 IN LG.		42
1			1	1/2-13 UNC SHCS 1.375 LG.		43
1			1	1/4-20 UNC SHCS 1.375 LG.		44
1			1	1/4-20 UNC SHCS 1.25 LG.		45
1			1	1/4-20 UNC SHCS .875 LG.		46
1			1	1/4-20 UNC SHCS 0.75 LG.		47
1			1	1/2-13 UNC SHCS 1.375 LG.		48
1			1	1/2-13 UNC SHCS 1.375 LG.		49
1			1	1/2-13 UNC SHCS .50 LG.		50
1			1	1/2-13 UNC NUT GRADE 8		51
1			1	1/8 DIA. COTTER PIN 1.25 LG		52
1			1	MAC-MASTER CAR		53
1			1	MAC-MASTER CAR		54
1			1	MAC-MASTER CAR		55
1			1	MAC-MASTER CAR		56
1			1	MAC-MASTER CAR		57
1			1	MAC-MASTER CAR		58
1			1	MAC-MASTER CAR		59
1			1	MAC-MASTER CAR		60
1			1	MAC-MASTER CAR		61
1			1	MAC-MASTER CAR		62
1			1	MAC-MASTER CAR		63
1			1	MAC-MASTER CAR		64
1			1	MAC-MASTER CAR		65

QTY	REQ'D	CAGE CODE	PART OR IDENTIFYING NO.	NOMENCLATURE DESCRIPTION	MATERIAL SPECIFICATION	ITEM NO.
1			-1	MAIN FRAME ASSEMBLY		1
1			1	STRING POT DISPLACEMENT TRANSDUCER		2
1			1	STRING POT MOUNT PLATE		3
1			1	1/2 DIA SHOULDER BOLT 3 IN LG.		4
1			1	THERMAL ENCLOSURE ASSEMBLY		5
1			1	CANTILIVER BEAM SUPPORT ASSEMBLY		6
1			1	1/4-20 UNC LOCK NUT		7
1			1	3/8-16 UNC SHCS 2.0 LG		8
1			1	.281 I.D FLAT WASHER		9
1			1	1/4-20 UNC SHCS 1.25 LG.		10
1			1	MAC-MASTER CAR		11
1			1	MAC-MASTER CAR		12
1			1	MAC-MASTER CAR		13
1			1	MAC-MASTER CAR		14
1			1	MAC-MASTER CAR		15
1			1	MAC-MASTER CAR		16
1			1	MAC-MASTER CAR		17
1			1	MAC-MASTER CAR		18
1			1	MAC-MASTER CAR		19
1			1	MAC-MASTER CAR		20
1			1	MAC-MASTER CAR		21
1			1	MAC-MASTER CAR		22
1			1	MAC-MASTER CAR		23
1			1	MAC-MASTER CAR		24
1			1	MAC-MASTER CAR		25
1			1	MAC-MASTER CAR		26
1			1	MAC-MASTER CAR		27
1			1	MAC-MASTER CAR		28
1			1	MAC-MASTER CAR		29
1			1	MAC-MASTER CAR		30
1			1	MAC-MASTER CAR		31
1			1	MAC-MASTER CAR		32
1			1	MAC-MASTER CAR		33
1			1	MAC-MASTER CAR		34
1			1	MAC-MASTER CAR		35
1			1	MAC-MASTER CAR		36
1			1	MAC-MASTER CAR		37
1			1	MAC-MASTER CAR		38
1			1	MAC-MASTER CAR		39
1			1	MAC-MASTER CAR		40
1			1	MAC-MASTER CAR		41
1			1	MAC-MASTER CAR		42
1			1	MAC-MASTER CAR		43
1			1	MAC-MASTER CAR		44
1			1	MAC-MASTER CAR		45
1			1	MAC-MASTER CAR		46
1			1	MAC-MASTER CAR		47
1			1	MAC-MASTER CAR		48
1			1	MAC-MASTER CAR		49
1			1	MAC-MASTER CAR		50
1			1	MAC-MASTER CAR		51
1			1	MAC-MASTER CAR		52
1			1	MAC-MASTER CAR		53
1			1	MAC-MASTER CAR		54
1			1	MAC-MASTER CAR		55
1			1	MAC-MASTER CAR		56
1			1	MAC-MASTER CAR		57
1			1	MAC-MASTER CAR		58
1			1	MAC-MASTER CAR		59
1			1	MAC-MASTER CAR		60
1			1	MAC-MASTER CAR		61
1			1	MAC-MASTER CAR		62
1			1	MAC-MASTER CAR		63
1			1	MAC-MASTER CAR		64
1			1	MAC-MASTER CAR		65

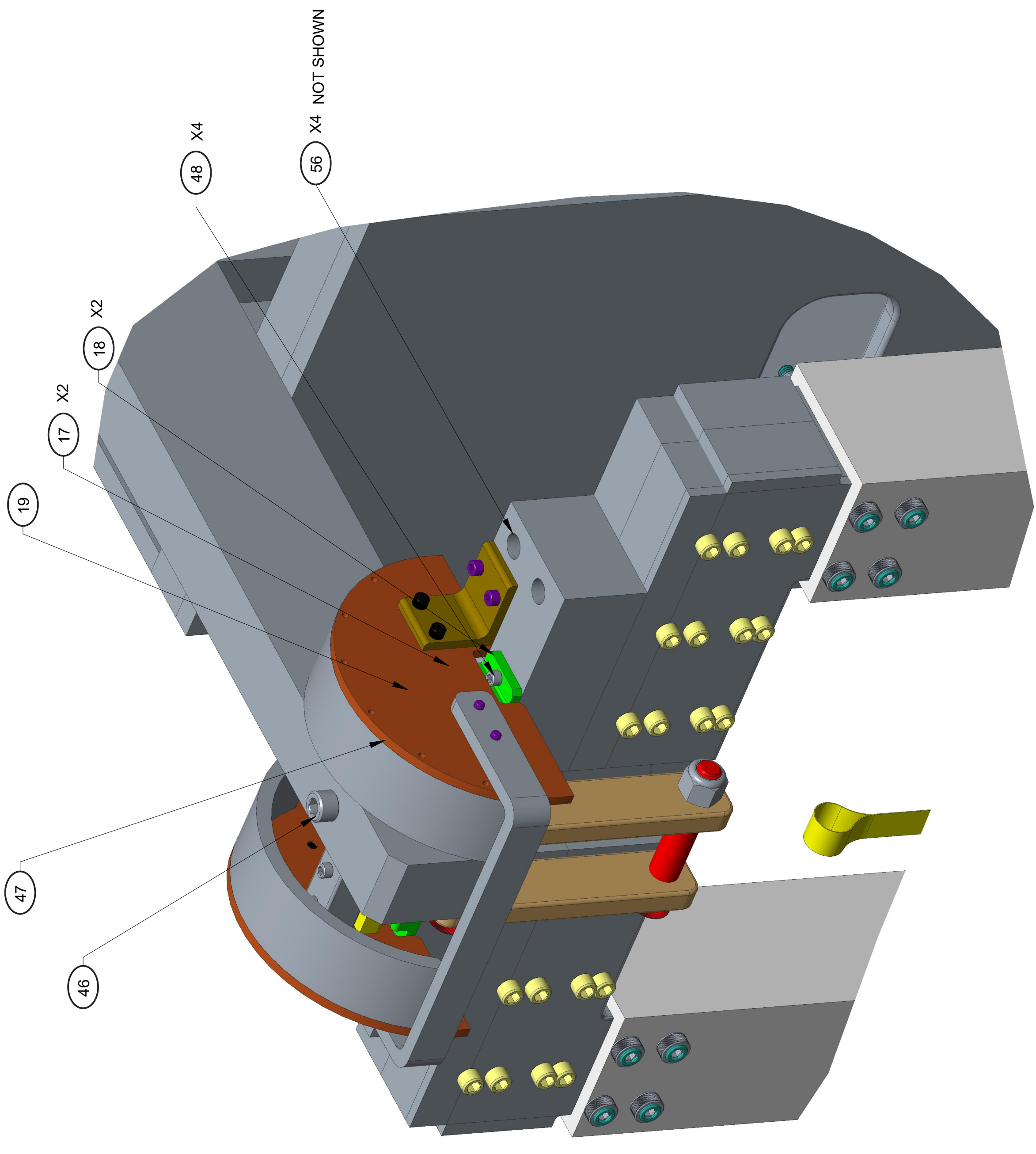
QTY	REQ'D	CAGE CODE	PART OR IDENTIFYING NO.	NOMENCLATURE DESCRIPTION	MATERIAL SPECIFICATION	ITEM NO.
1			-1	MAIN FRAME ASSEMBLY		1
1			1	LOAD CELL		2
1			1	G.F.A.		3
1			1	G.F.A.		4
1			1	AL 6061 T6		5
1			1	MAC-MASTER CAR		6
1			1	MAC-MASTER CAR		7
1			1	MAC-MASTER CAR		8
1			1	MAC-MASTER CAR		9
1			1	MAC-MASTER CAR		10
1			1	MAC-MASTER CAR		11
1			1	MAC-MASTER CAR		12
1			1	MAC-MASTER CAR		13
1			1	MAC-MASTER CAR		14
1			1	MAC-MASTER CAR		15
1			1	MAC-MASTER CAR		16
1			1	MAC-MASTER CAR		17
1			1	MAC-MASTER CAR		18
1			1	MAC-MASTER CAR		19
1			1	MAC-MASTER CAR		20
1			1	MAC-MASTER CAR		21
1			1	MAC-MASTER CAR		22
1			1	MAC-MASTER CAR		23
1			1	MAC-MASTER CAR		24
1			1	MAC-MASTER CAR		25
1			1	MAC-MASTER CAR		26
1			1	MAC-MASTER CAR		27
1			1	MAC-MASTER CAR		28
1			1	MAC-MASTER CAR		29
1			1	MAC-MASTER CAR		30
1			1	MAC-MASTER CAR		31
1			1	MAC-MASTER CAR		32
1			1	MAC-MASTER CAR		33
1			1	MAC-MASTER CAR		34
1			1	MAC-MASTER CAR		35
1			1	MAC-MASTER CAR		36
1			1	MAC-MASTER CAR		37
1			1	MAC-MASTER CAR		38
1			1	MAC-MASTER CAR		39
1			1	MAC-MASTER CAR		40
1			1	MAC-MASTER CAR		41
1			1	MAC-MASTER CAR		42
1			1	MAC-MASTER CAR		43
1			1	MAC-MASTER CAR		44
1			1	MAC-MASTER CAR		45
1			1	MAC-MASTER CAR		46
1			1	MAC-MASTER CAR		47
1			1	MAC-MASTER CAR		48
1			1	MAC-MASTER CAR		49
1			1	MAC-MASTER CAR		50
1			1	MAC-MASTER CAR		51
1			1	MAC-MASTER CAR		52
1			1	MAC-MASTER CAR		53
1			1	MAC-MASTER CAR		54
1			1	MAC-MASTER CAR		55
1			1	MAC-MASTER CAR		56
1			1	MAC-MASTER CAR		57
1			1	MAC-MASTER CAR		58
1			1	MAC-MASTER CAR		59
1			1	MAC-MASTER CAR		60
1			1	MAC-MASTER CAR		61
1			1	MAC-MASTER CAR		62
1			1	MAC-MASTER CAR		63
1			1	MAC-MASTER CAR		64
1			1	MAC-MASTER CAR		65

QTY	REQ'D	CAGE CODE	PART OR IDENTIFYING NO.	NOMENCLATURE DESCRIPTION	MATERIAL SPECIFICATION	ITEM NO.
1			-1	MAIN FRAME ASSEMBLY		1
1			1	MAC-MASTER CAR		2
1			1	MAC-MASTER CAR		3
1			1	MAC-MASTER CAR		4
1			1	MAC-MASTER CAR		5
1			1	MAC-MASTER CAR		6
1			1	MAC-MASTER CAR		7
1			1	MAC-MASTER CAR		8
1			1	MAC-MASTER CAR		9
1			1	MAC-MASTER CAR		10
1			1	MAC-MASTER CAR		

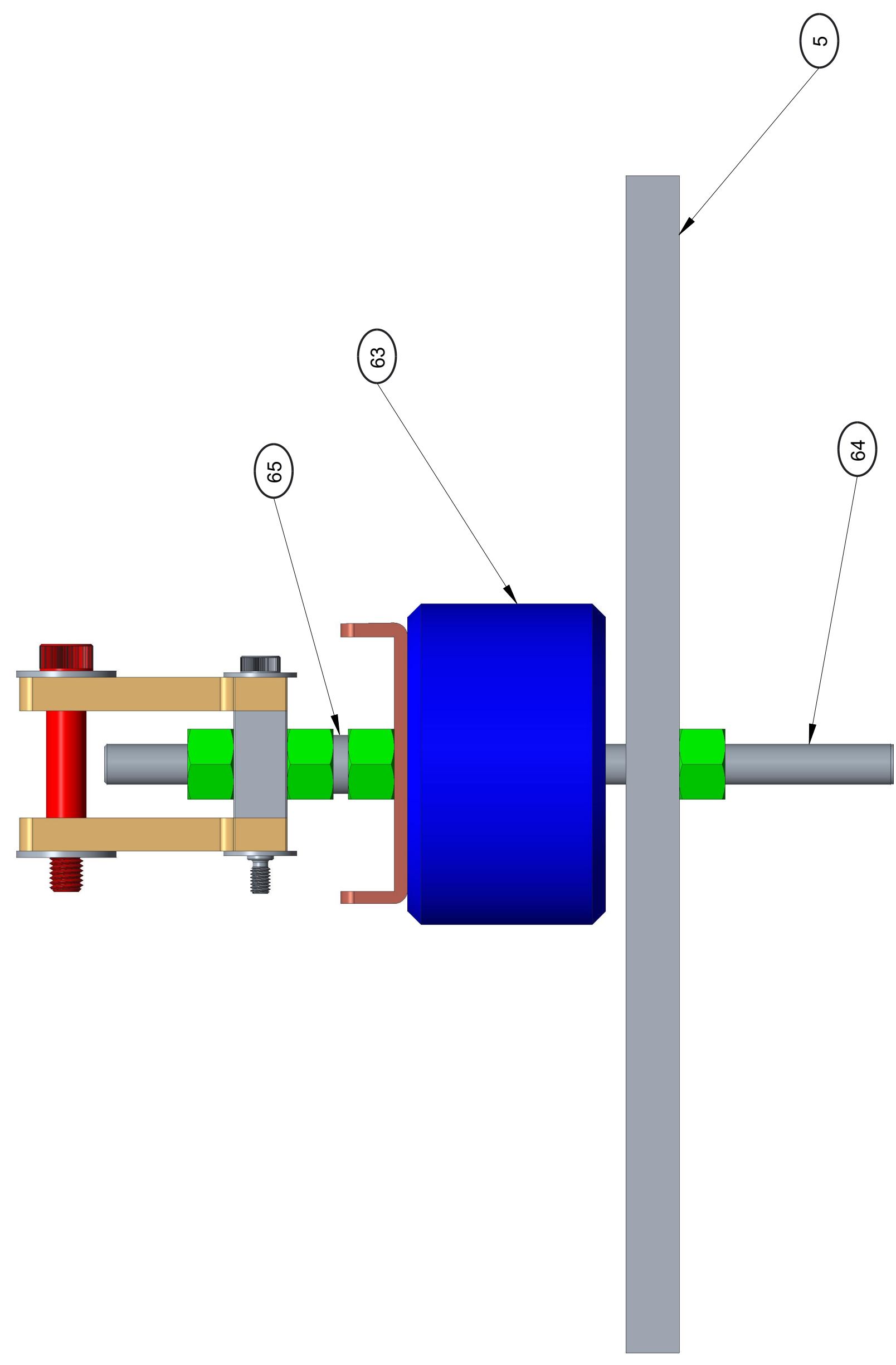


1 2 3 4 5 6 7 8

D C B A



DETAIL ISO VIEW  
SCALE 1/2

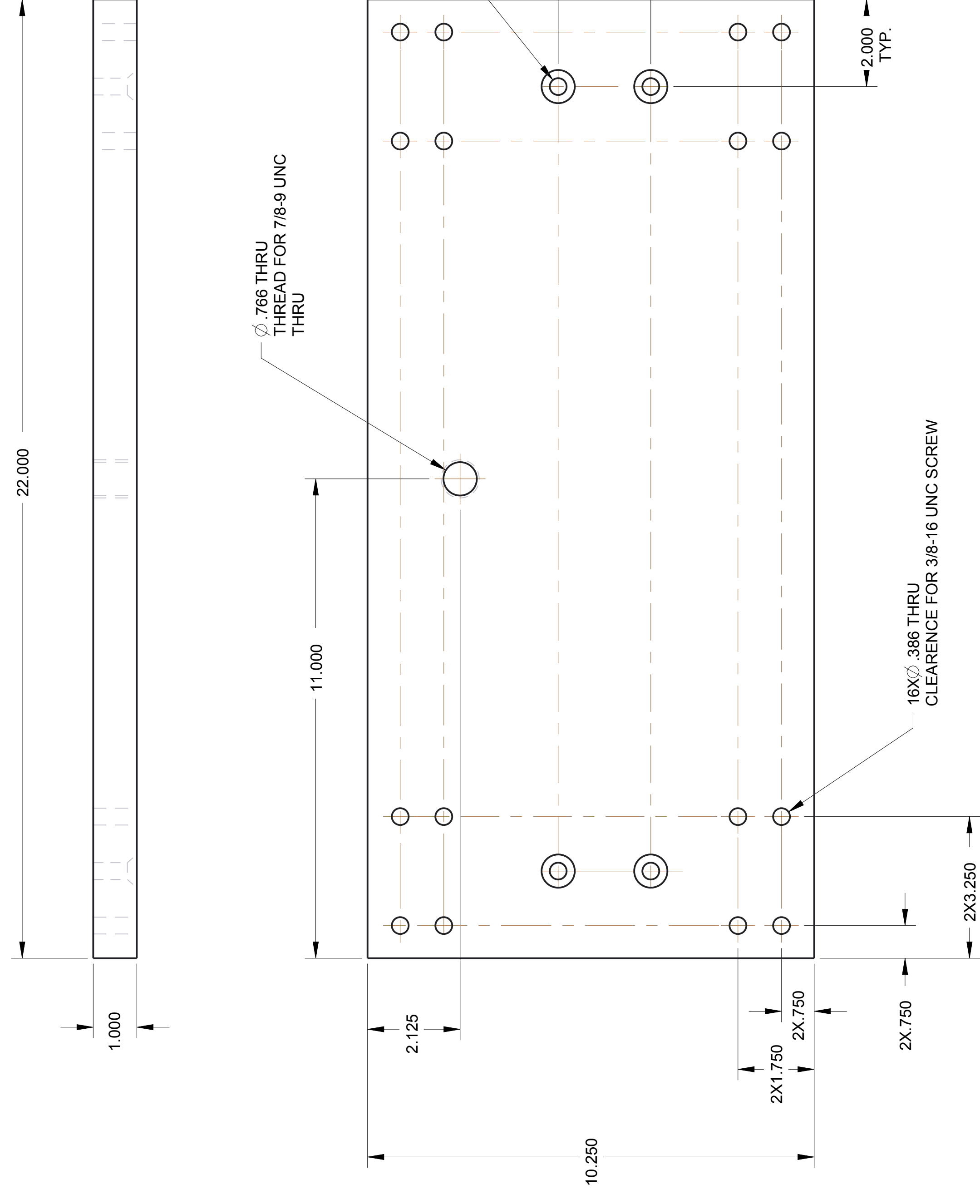


ALTERNATE TENSION SYSTEM WITH LOAD CELL IN LINE  
STRING POTS AND MOUNT HARDWARE AS IN GENERAL ASSEMBLY  
SCALE 1/2

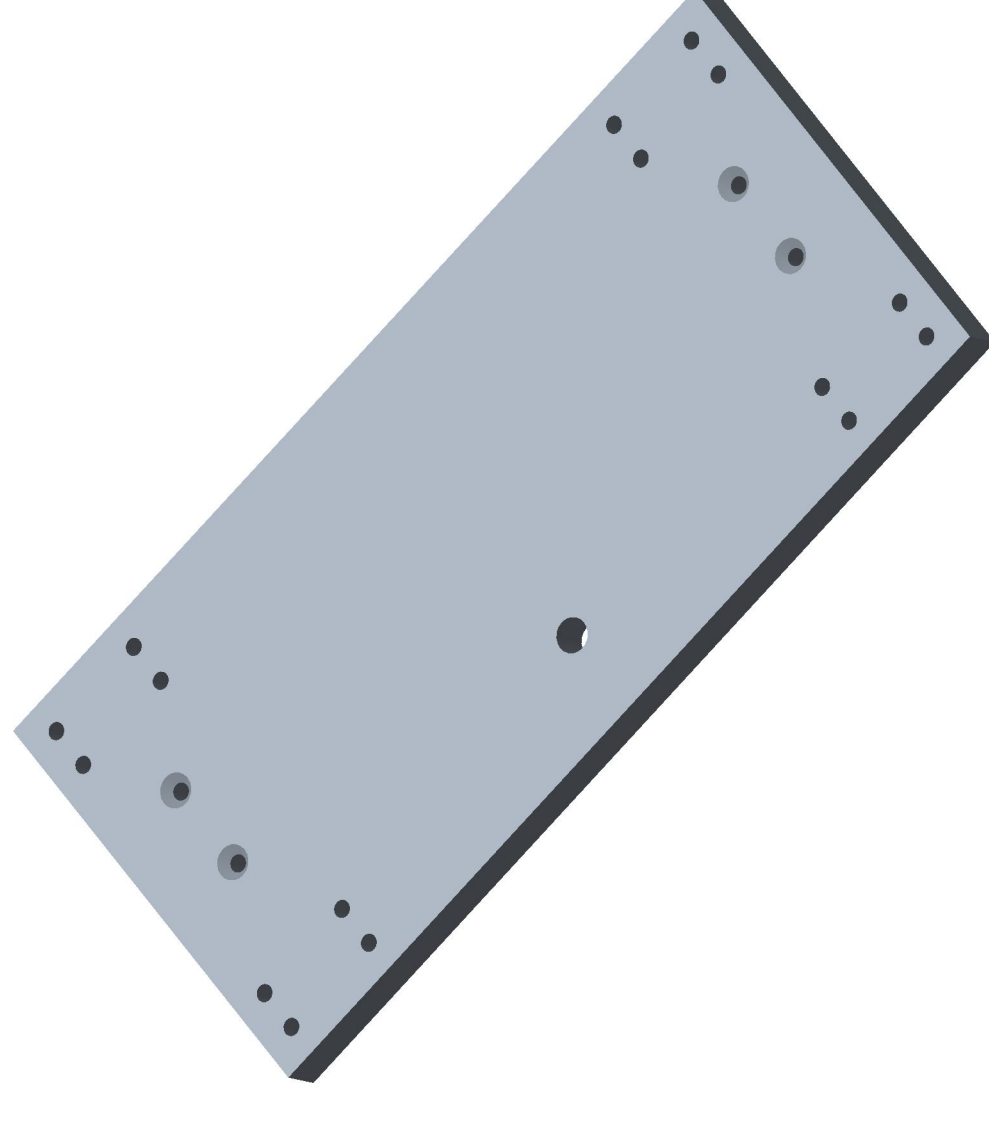
SIZE/CAGE CODE	DWG. NO.	REV.
D 25305	1299307	A
DRAWN V. LE BOFFE		CHECKED
SCALE 3/40		SHEET 2 OF 2

**NOTES:**

1. INTERPRET THIS DRAWING PER DOD-D-1000 AND DOD-STD-100
2. INTERPRET DIMENSIONS AND TOLERANCES PER ANSI Y14.5 (LATEST REVISION AT TIME OF DRAWING RELEASE)
3. REMOVE ALL BURRS AND SHARP EDGES
4. SURFACE ROUGHNESS OF 63 MICROINCHES
5. NO FIOS REQUIRED
6. NO DEVIATIONS WITHOUT APPROVAL OF TPE
7. ALL FASTENERS ARE CONSIDERED NON SAFETY CRITICAL AND SHALL MEET THE MOST CURRENT REVISION OF: ASME B18.3, A574, A835, ASTM F912 AS APPROPRIATE, UNLESS OTHERWISE NOTED.



**-1 BASE PLATE (1 REQ'D.)**  
SCALE 1/2



**ISO VIEW**  
SCALE 1/4

CAGE NO. <b>25305</b>	DWG. NO. <b>1299308</b>	SHEET <b>1</b>	REV. <b>-</b>
ZONEREV		REVISIONS	
DESCRIPTION		DATE	APPROVED

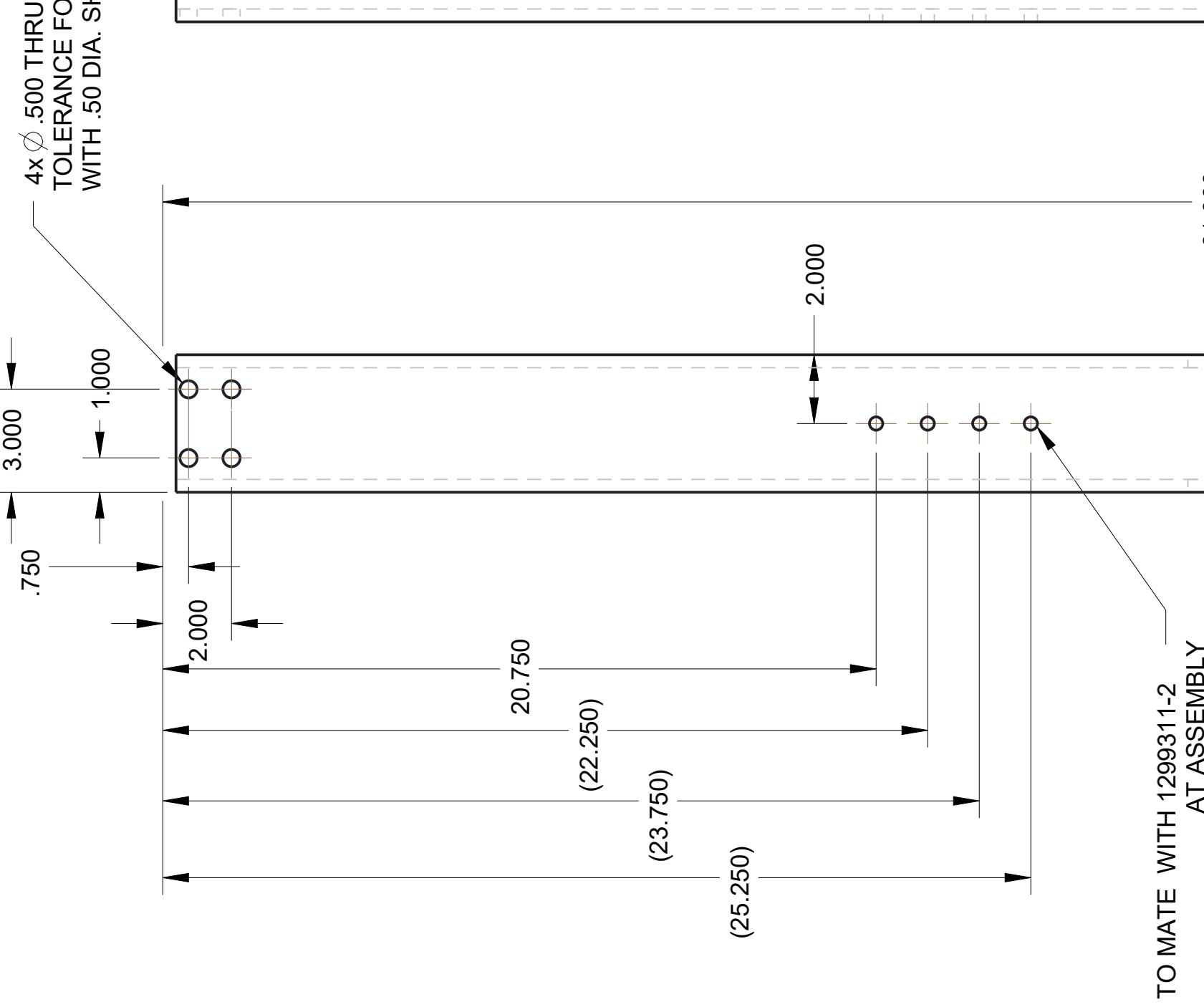
1	1	1	1
3	1	1	1
1	1	1	1
BASE PLATE		S.S.17-4 H1025	
NOMENCLATURE		ITEM	
IDENTIFICATION		NO.	
CONTRACT NO.		NATIONAL AERONAUTICS & SPACE ADMINISTRATION	
LANGLEY RESEARCH CENTER		LANGLEY RESEARCH CENTER	
HAMPTON, VA 23681-0001		HAMPTON, VA 23681-0001	
TITLE		BASE PLATE	
DATE		STRAP CREEP TEST HARDWARE	
APPROVALS		NEXT STEP 2	
DRAWN		DATE	
V. LE BOFFE		04/05/2018	
CHECKED		DESIGNER	
DESIGNER		LEAD ENGR.	
V. LE BOFFE		04/05/18	
FINISH		BRANCH	
NOTED		V. LE BOFFE	
SIMILAR TO		SCALE	
N.A.		D 25305	
SPECIAL MARKING SYM.		DWG. NO.	
		1299308	
		SCALE	
		3/80	
		FACTORY SHEET	
		1 OF 1	



**NOTES:**

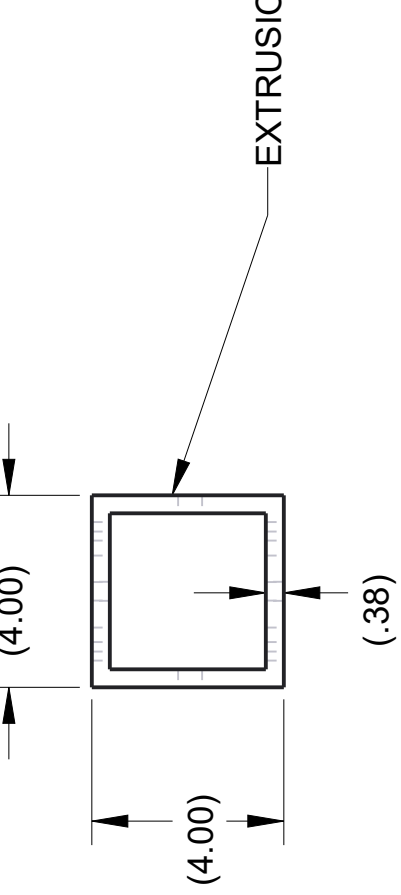
1. INTERPRET THIS DRAWING PER DOD-D-1000 AND DOD-STD-100
2. INTERPRET DIMENSIONS AND TOLERANCES PER ANSI Y14.5 (LATEST REVISION AT TIME OF DRAWING RELEASE)
3. REMOVE ALL BURRS AND SHARP EDGES
4. SURFACE ROUGHNESS OF 63 MICROINCHES
5. NO FIOS REQUIRED
6. NO DEVIATIONS WITHOUT APPROVAL OF TPE
7. ALL FASTENERS ARE CONSIDERED NON SAFETY CRITICAL AND SHALL MEET THE MOST CURRENT REVISION OF: ASME B18.3, A574, A835, ASTM F912 AS APPROPRIATE, UNLESS OTHERWISE NOTED.

4x  $\phi$ .500 THRU  
TOLERANCE FOR SLIDE FIT  
WITH .50 DIA. SHOULDER BOLT.

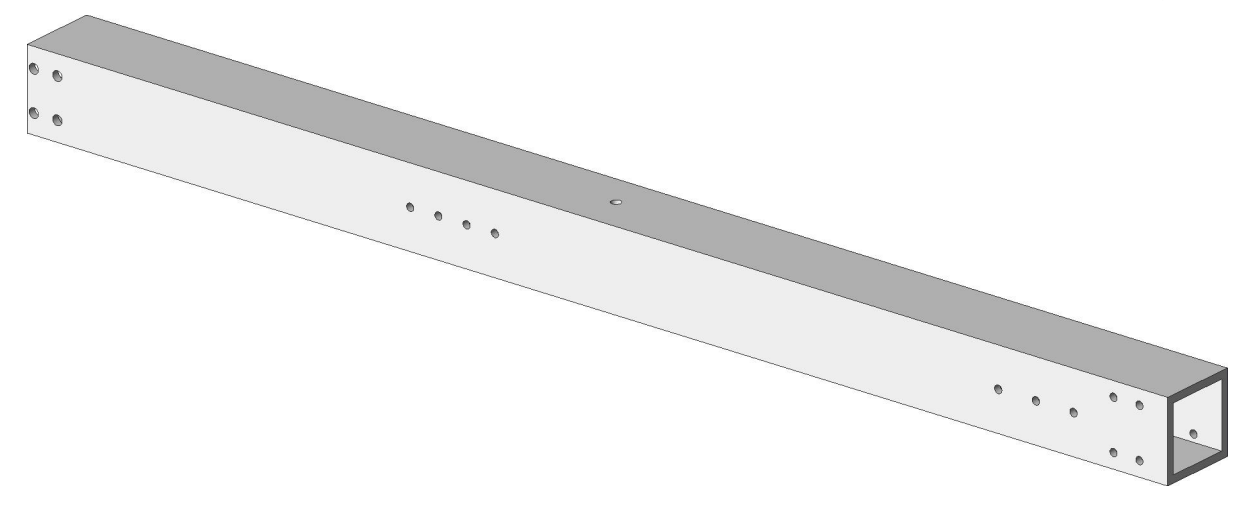


TO MATE WITH 1299311-2  
AT ASSEMBLY

11 X  $\phi$ .397 THRU  
CLEARANCE HOLE  
FOR 3/8-16 UNC SCREW  
TO MATE WITH 1299311-1  
AT ASSEMBLY

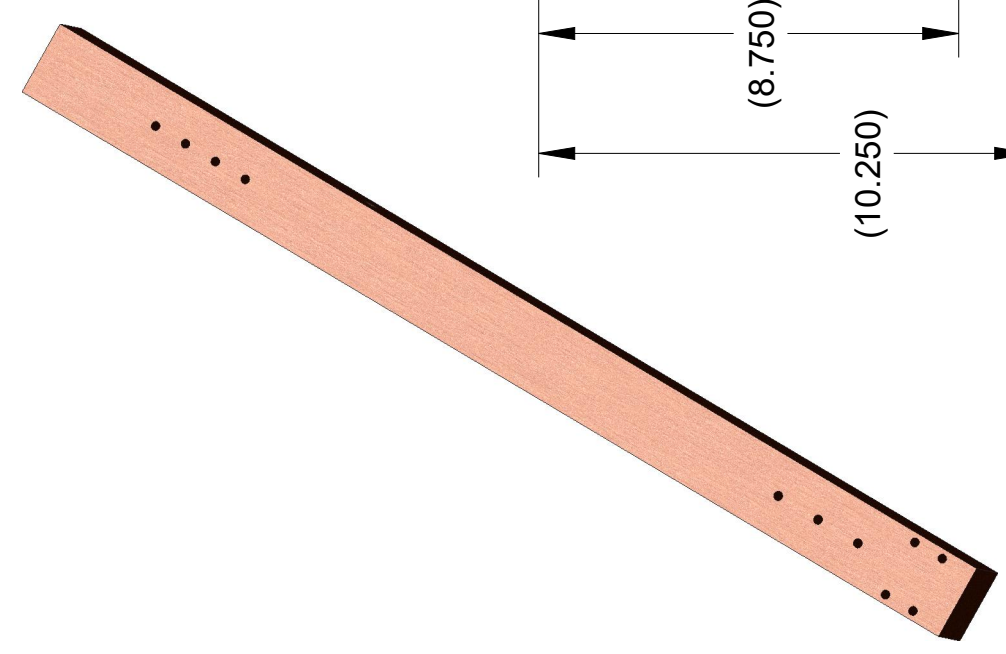


-1 R.H. UPPER FRAME BEAM (1 REQ'D.)  
-2 L.H. UPPER FRAME BEAM (1 REQ'D.)  
SCALE 1/4

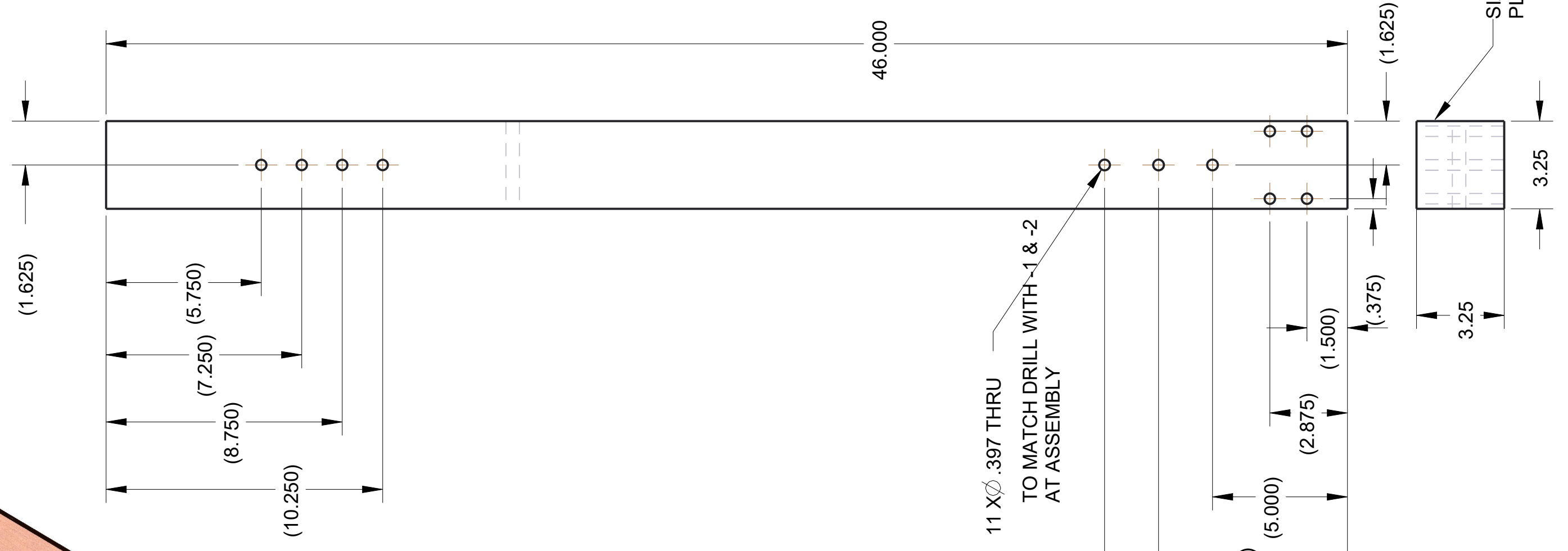


ISO VIEW  
SCALE 1/8

$\phi$ .500 THRU  
TOLERANCE FOR SLIDE FIT  
WITH .50 DIA. SHOULDER BOLT.  
TO MATE WITH 1299315-1 & -2  
AT ASSEMBLY



ISO VIEW  
SCALE 1/8



11 X  $\phi$ .397 THRU  
TO MATCH DRILL WITH -1 & -2  
AT ASSEMBLY

SIZE TO SLIDE FIT WITH -1 & -2 AT ASSEMBLY  
PLANE TO FIT NO MACHINING

**-3 WOOD FILLER BLOCK UPPER (2 REQ'D.)**

TO MATE WITH -1 & -2 AT ASSEMBLY  
SCALE 1/4

QTY REQ'D	CAGE CODE	IDENTIFYING NO.	PART OR IDENTIFYING NO.	NOMENCLATURE DESCRIPTION	MATERIAL SPECIFICATION	ITEM NO.
2		-3		WOOD FILLER BLOCK UPPER	YELLOW PINE	3
1		-2		L.H. UPPER FRAME BEAM	6061-T6 AL	2
1		-1		R.H. UPPER FRAME BEAM	6061-T6 AL	1

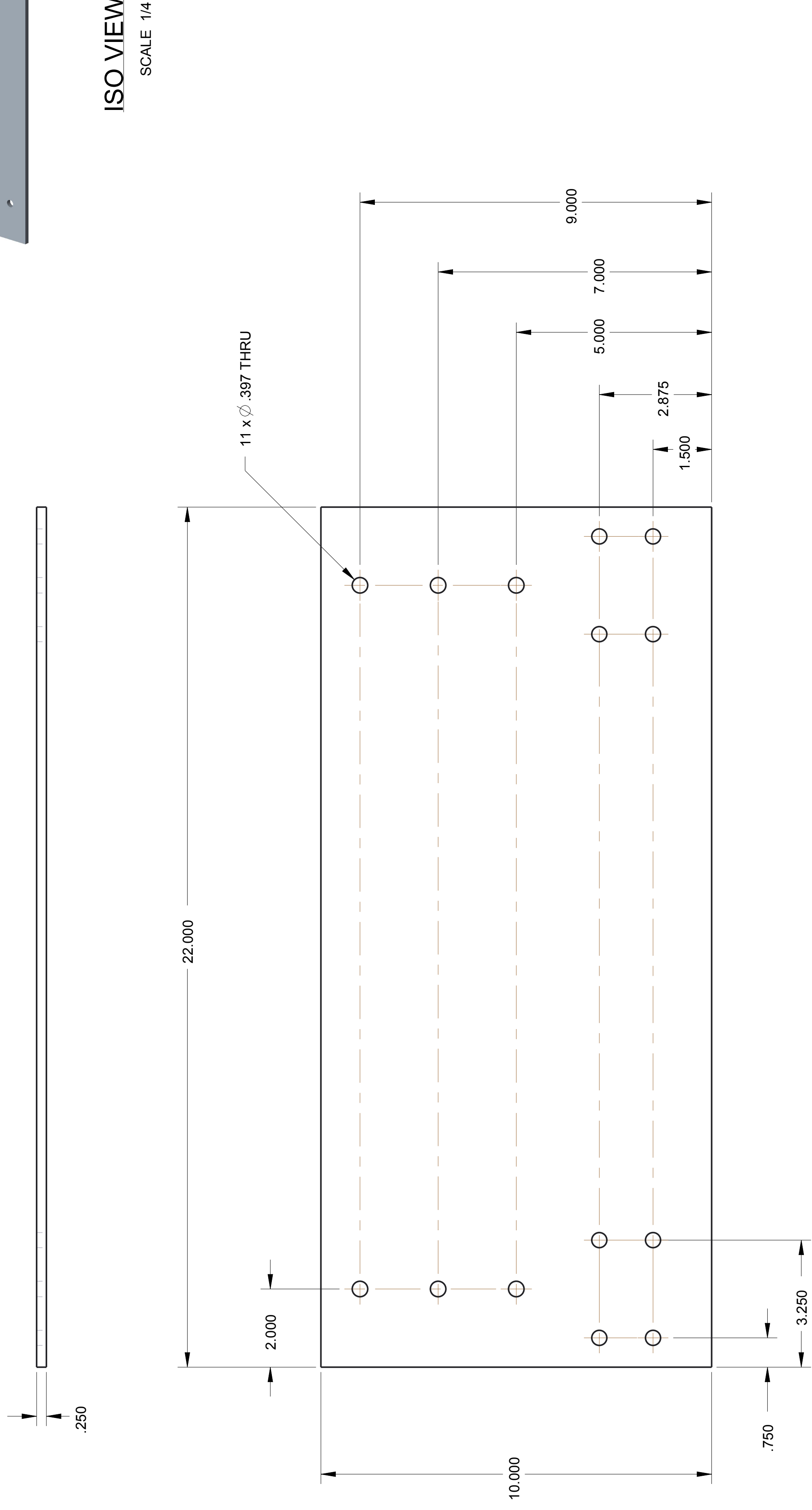
UNLESS OTHERWISE SPECIFIED DIMENSIONS ARE IN INCHES		CONTRACT NO.	
DECIMALS	ANGULAR	DATE	
XXX 0.00	.XE 0.1	04/11/2018	
XX 0.00	.X 0.1		
X 0.00	.X 0.1		
NO NOT SCALE DRAWING			
TREATMENT	FINISH	DESIGNER	LEAD ENGR.
	N.A.		V. LEBOFFE
SIMILAR TO	SPECIAL MARKING BY	BRANCH	DATE
	N.A.		4-11-18
-3	2	1299307-1	NEXT STEP 2
-2	1	1299307-1	NEXT STEP 2
-1	1	1299307-1	NEXT STEP 2
PART DASH NO.	NEXT QTY PER ASSY	NEXT ASSY	USED ON

REV.	NO.	DATE	BY	CHKD.	WT	APP.	SHEET	OF
-	1	1299310					1	1

PARTS LIST		NATIONAL AERONAUTICS & SPACE ADMINISTRATION LANGLEY RESEARCH CENTER HAMPTON, VA 23681-0001	
TITLE			
UPPER FRAME STRUCTURE STRAPS CREEP TEST HARDWARE NEXT STEP 2			
SIZE	CAGE CODE	DRWG. NO.	REV.
D	25305	1299310	-
SCALE	1/80		

NOTES:

1. INTERPRET THIS DRAWING PER DOD-D-1000 AND DOD-STD-100
2. INTERPRET DIMENSIONS AND TOLERANCES PER ANSI Y14.5 (LATEST REVISION AT TIME OF DRAWING RELEASE)
3. REMOVE ALL BURRS AND SHARP EDGES
4. SURFACE ROUGHNESS OF 63 MICROINCHES
5. NO FIOS REQUIRED
6. NO DEVIATIONS WITHOUT APPROVAL OF TPE
7. ALL FASTENERS ARE CONSIDERED NON SAFETY CRITICAL AND SHALL MEET THE MOST CURRENT REVISION OF: ASME B18.3, A574, A835, ASTM F912 AS APPROPRIATE, UNLESS OTHERWISE NOTED.



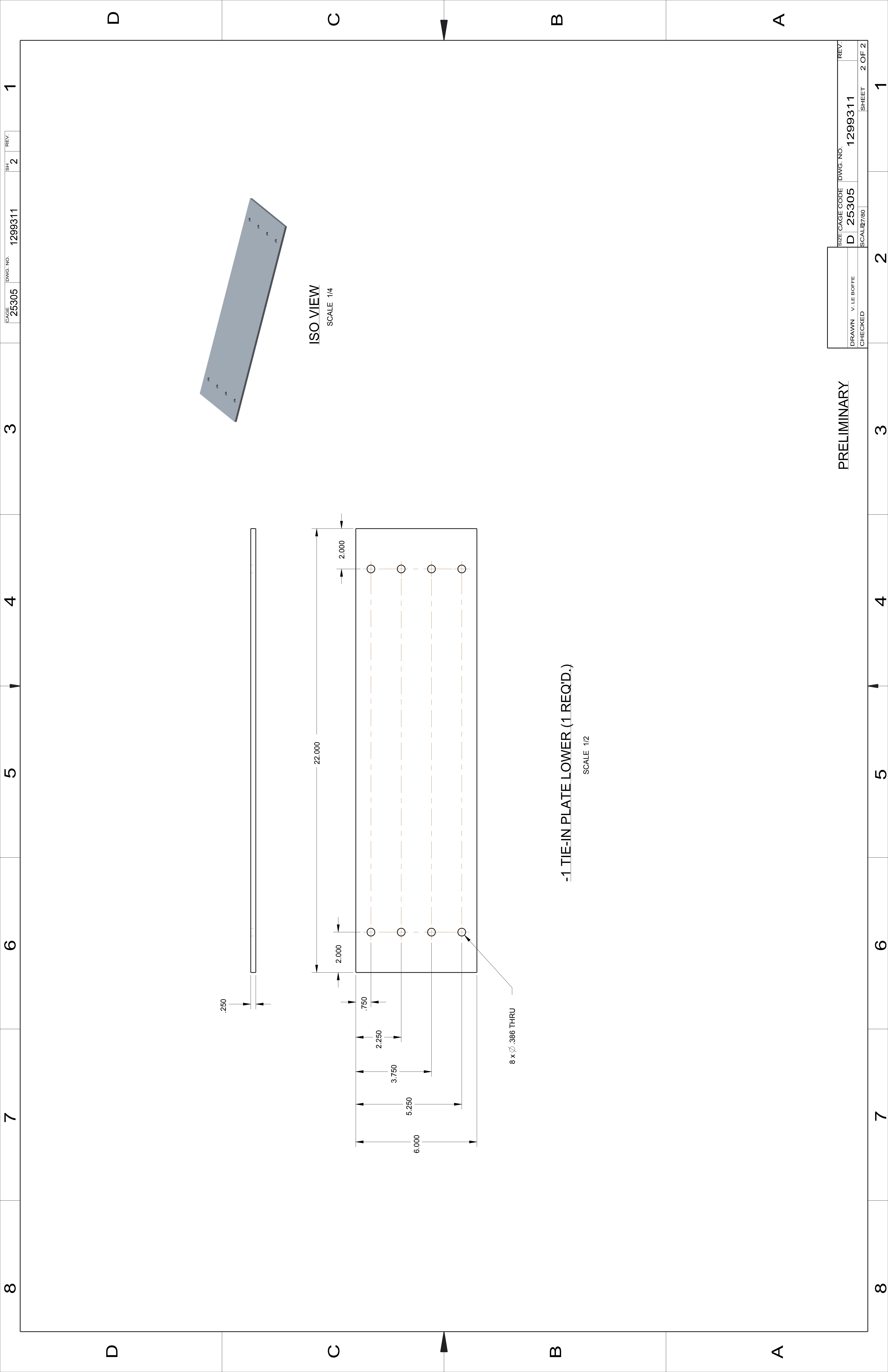
ISO VIEW  
SCALE 1/4

-1 TIE-IN PLATE LOWER (1 REQ'D.)  
SCALE 1/2

CAGE NO. 25305	DWG. NO. 1299311	SH. 1	REV. -
ZONEREV		DESCRIPTION	DATE
REVISIONS			
1			1
2			2
3			3
4			4
5			5
6			6
7			7
8			8

1	-2	TIE-IN PLATE UPPER	6061-T6 AL	2
1	-1	TIE-IN PLATE LOWER	6061-T6 AL	1
3		PARTS LIST		
UNLESS OTHERWISE SPECIFIED		CONTRACT NO.		
QTY REQD	CAGE CODE	PART OR IDENTIFYING NO.	NATIONAL AERONAUTICS & SPACE ADMINISTRATION	
DIMENSIONS IN INCHES		LANGLEY RESEARCH CENTER		
DECIMALS	ANGULAR	HAMPTON, VA 23681-0001		
.XXE 0.02	.XE 0.1			
.XXN 0.006				
.XXN 0.005				
DO NOT SCALE DRAWING				
TREATMENT				
FINISH		APPROVALS	DATE	
-2	1	V. LE BOFFE	04/11/2018	
-1	1	CHECKED		
SIMILAR TO		DESIGNER		
PART DASH NO.	QTY REQD PER ASSY	LEAD ENGR	V. LE BOFFE	4-11-18
		BRANCH		
		SCALE	1/2	
		SIZE	D 25305	
		DWG. NO.	1299311	
		CAGE NO.	25305	
		SHEET	1	1
		OF 2		2

TITLE		NATIONAL AERONAUTICS & SPACE ADMINISTRATION	
STRAPS CREEP TEST HARDWARE		LANGLEY RESEARCH CENTER	
NEXT STEP 2		HAMPTON, VA 23681-0001	
PARTS LIST			
APPROVALS		DATE	
V. LE BOFFE		04/11/2018	
CHECKED			
DESIGNER			
LEAD ENGR		V. LE BOFFE	4-11-18
BRANCH			
SIMILAR TO		SCALE	1/2
PRT DASH NO.		SIZE	D 25305
QTY REQD PER ASSY		DWG. NO.	1299311
		CAGE NO.	25305
		SHEET	1
		OF 2	2



ISO VIEW  
SCALE 1/4

-1 TIE-IN PLATE LOWER (1 REQ'D.)  
SCALE 1/2

8 x  $\phi$ .386 THRU

PRELIMINARY

SIZE/CAGE CODE	DWG. NO.	REV.
D 25305	1299311	1299311
DRAWN V. LE BOFFE	CHECKED	SHEET 2 OF 2

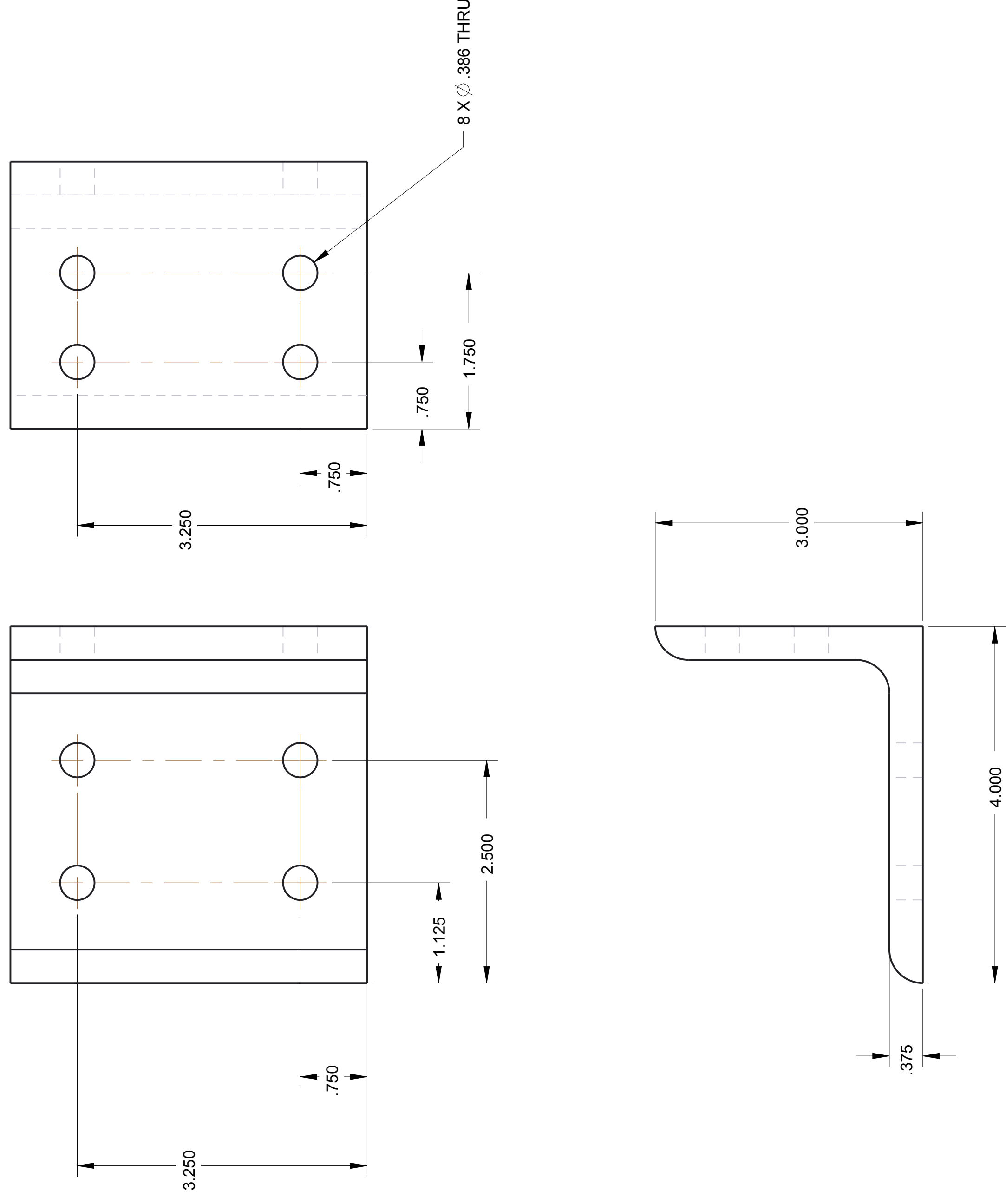






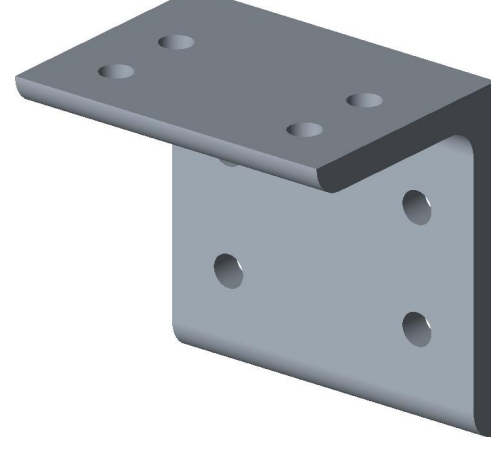
**NOTES:**

1. INTERPRET THIS DRAWING PER DOD-D-1000 AND DOD-STD-100
2. INTERPRET DIMENSIONS AND TOLERANCES PER ANSI Y14.5 (LATEST REVISION AT TIME OF DRAWING RELEASE)
3. REMOVE ALL BURRS AND SHARP EDGES
4. SURFACE ROUGHNESS OF 63 MICROINCHES
5. NO FIOS REQUIRED
6. NO DEVIATIONS WITHOUT APPROVAL OF TPE
7. ALL FASTENERS ARE CONSIDERED NON SAFETY CRITICAL AND SHALL MEET THE MOST CURRENT REVISION OF: ASME B18.3, A574, A835, ASTM F912 AS APPROPRIATE, UNLESS OTHERWISE NOTED.



**-1 ANGLE MOUNT (4 REQ'D.)**

SCALE 1/1



**ISO VIEW**

SCALE 1/2

CAGE 25305	DWG. NO. 1299314	REV. 1	SH.	REV.	DATE	APPROVED
ZONEREV		DESCRIPTION		REVISIONS		

4	KAGE CODE -1	PART OR IDENTIFYING NO.	ANGLE MOUNT	NOMENCLATURE IDENTIFICATION	6061-T6 AL	ITEM NO.
UNLESS OTHERWISE SPECIFIED DIMENSIONS ARE IN INCHES DECIMALS ANGULAR TOLERANCES .XXE 0.02 .XEE 0.1 .XNE 0.006 .XNE NOT SCALE DRAWING TREATMENT FINISH SIMILAR TO SPECIAL MARKING BY						
CONTRACT NO.			NATIONAL AERONAUTICS & SPACE ADMINISTRATION LANGLEY RESEARCH CENTER HAMPTON, VA 23681-0001			
DRAWN		DATE		TITLE		
V. LE BOFFE		04/11/2018		ANGLE MOUNT		
CHECKED				STRAP CREEP TEST HARDWARE		
DESIGNER				NEXT STEP 2		
LEAD ENGR.		V. LE BOFFE		SIZE		REV.
BRANCH		4-11-18		D 25305		1299314
				SCALE		1/16
						1 OF 1

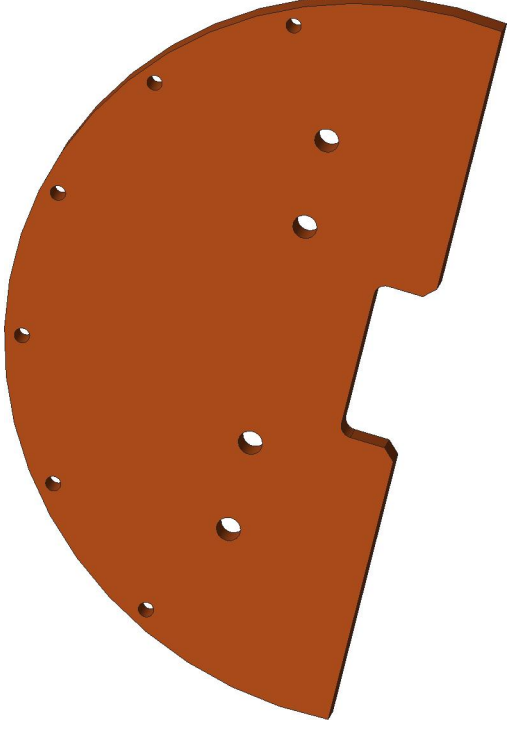
8 7 6 5 4 3 2 1

D C B A

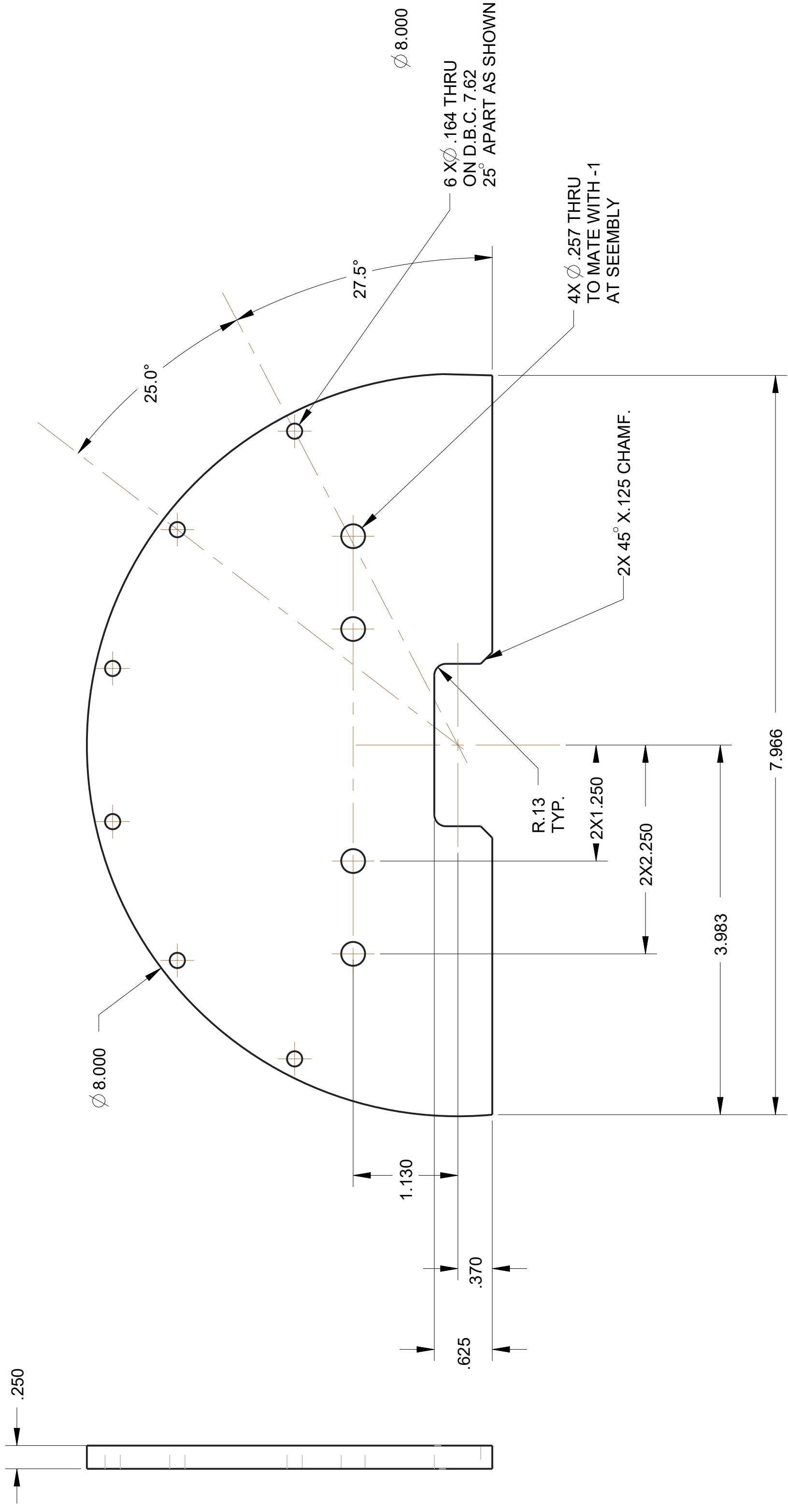


NOTES:

1. INTERPRET THIS DRAWING PER DOD-D-1000 AND DOD-STD-100
2. INTERPRET DIMENSIONS AND TOLERANCES PER ANSI Y14.5 (LATEST REVISION AT TIME OF DRAWING RELEASE)
3. REMOVE ALL BURRS AND SHARP EDGES
4. SURFACE ROUGHNESS OF 63 MICRONS
5. NO FIOS REQUIRED
6. NO DEVIATIONS WITHOUT APPROVAL OF TPE
7. ALL FASTENERS ARE CONSIDERED NON SAFETY CRITICAL AND SHALL MEET THE MOST CURRENT REVISION OF: ASME B18.3, A574, A835, ASTM F912 AS APPROPRIATE, UNLESS OTHERWISE NOTED.



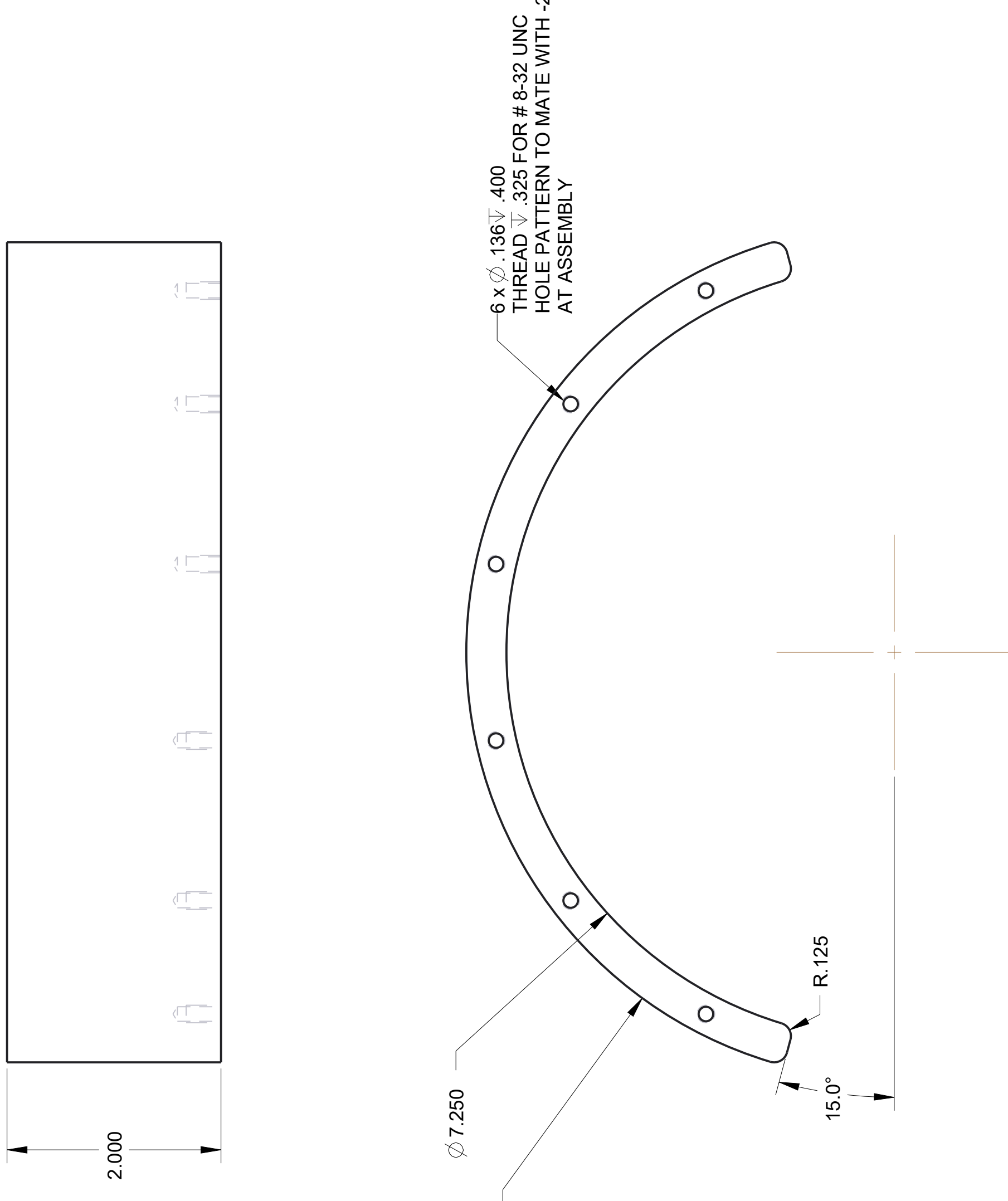
ISO VIEW  
SCALE 1/2



-2 SIDE PLATE (2 REQ'D.)  
SCALE 1/1



ISO VIEW  
SCALE 1/2



-3 FENDER COVER (2 REQ'D.)  
SCALE 1/1

D

C

B

A

CAGE NO.	DWG. NO.	REV.	DATE	APPROVED
ZONEREV	25305	1		

REV.	DESCRIPTION	DATE	APPROVED

REV.	DESCRIPTION	DATE	APPROVED

REV.	DESCRIPTION	DATE	APPROVED

REV.	DESCRIPTION	DATE	APPROVED

NATIONAL AERONAUTICS & SPACE ADMINISTRATION LANGLEY RESEARCH CENTER HAMPTON, VA 23681-0001	
TITLE PIVOT HARDWARE STRAP CREEP TEST HARDWARE NEXT STEP 2	
DATE	05/11/2018
DRAWN	V. LE BOFFE
CHECKED	
DESIGNER	
LEAD ENGR.	V. LE BOFFE
BRANCH	
SIZE	D 25305
DWG. NO.	1299316
REV.	-
SCALE	1/1
CAGE NO.	
SHEET	1 OF 2

UNLESS OTHERWISE SPECIFIED DIMENSIONS ARE IN INCHES DECIMALS .005 .010 .015 FRACTIONS 1/16 1/8 3/16 1/4 3/8 1/2 ANGULAR .X .X/2 .X/4 .X/8 TOLERANCES XX .005 .010 .015 XXX .010 .015 .020 DO NOT SCALE DRAWING FINISH N.A. SIMILAR TO NOTED SPECIAL MARKING BY	
CONTRACT NO.	
APPROVALS	
DRAWN	V. LE BOFFE
CHECKED	
DESIGNER	
LEAD ENGR.	V. LE BOFFE
BRANCH	
DATE	05/11/2018
PART OR IDENTIFYING NO.	
CAGE CODE	
QTY REQ'D	
PER ASSY	
FINAL	
NEXT ASSY	
USED ON	
APPLICATION	
1299307-1	NEXT STEP 2
1299307-1	NEXT STEP 2
1299307-1	NEXT STEP 2
1299307-1	NEXT STEP 2

1	-4	CONNECTOR BAR	AL 6061 T6	4
2	-3	FENDER COVER	AL 6061 T6	3
2	-2	SIDE PLATE	AL 6061 T6	2
2	-1	ANGLE MOUNT	AL 6061 T6	1

PARTS LIST	
CONTRACT NO.	
APPROVALS	
DRAWN	V. LE BOFFE
CHECKED	
DESIGNER	
LEAD ENGR.	V. LE BOFFE
BRANCH	
DATE	05/11/2018
PART OR IDENTIFYING NO.	
CAGE CODE	
QTY REQ'D	
PER ASSY	
FINAL	
NEXT ASSY	
USED ON	
APPLICATION	
1299307-1	NEXT STEP 2
1299307-1	NEXT STEP 2
1299307-1	NEXT STEP 2
1299307-1	NEXT STEP 2

8	7	6	5	4	3	2	1
---	---	---	---	---	---	---	---

8

7

6

5

4

3

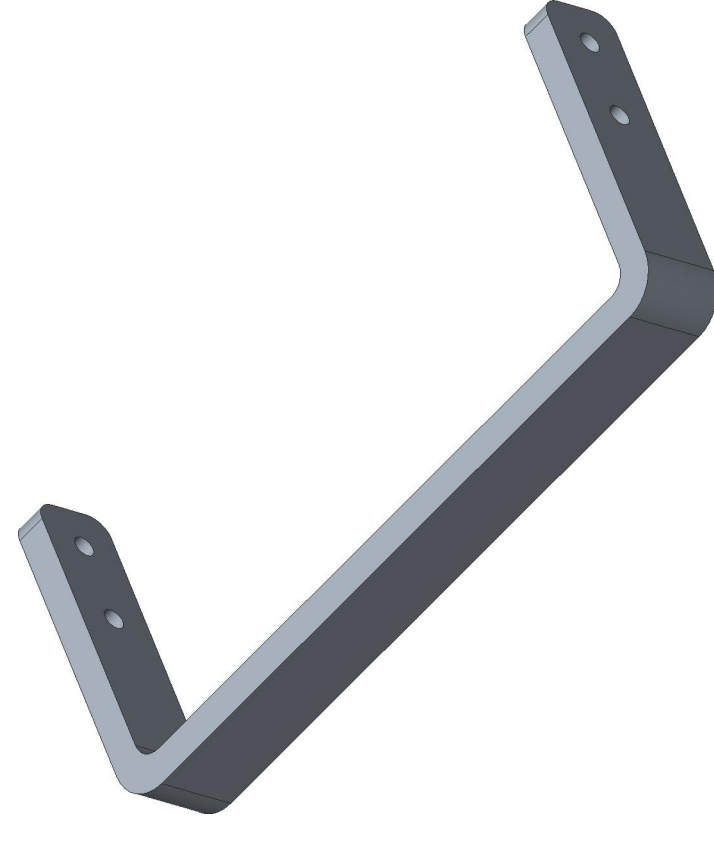
2

1

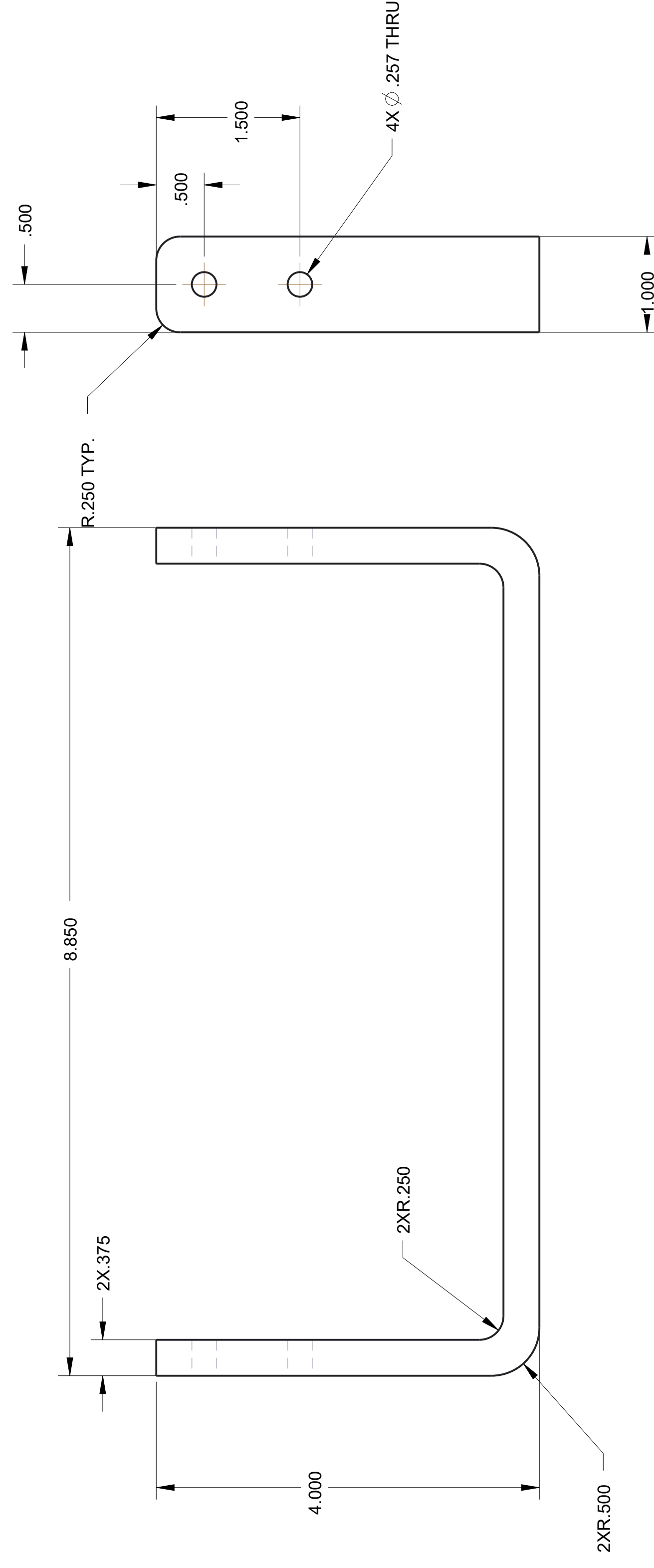
CAGE NO. 25305 DWG. NO. 1299316 REV. 2

D

D



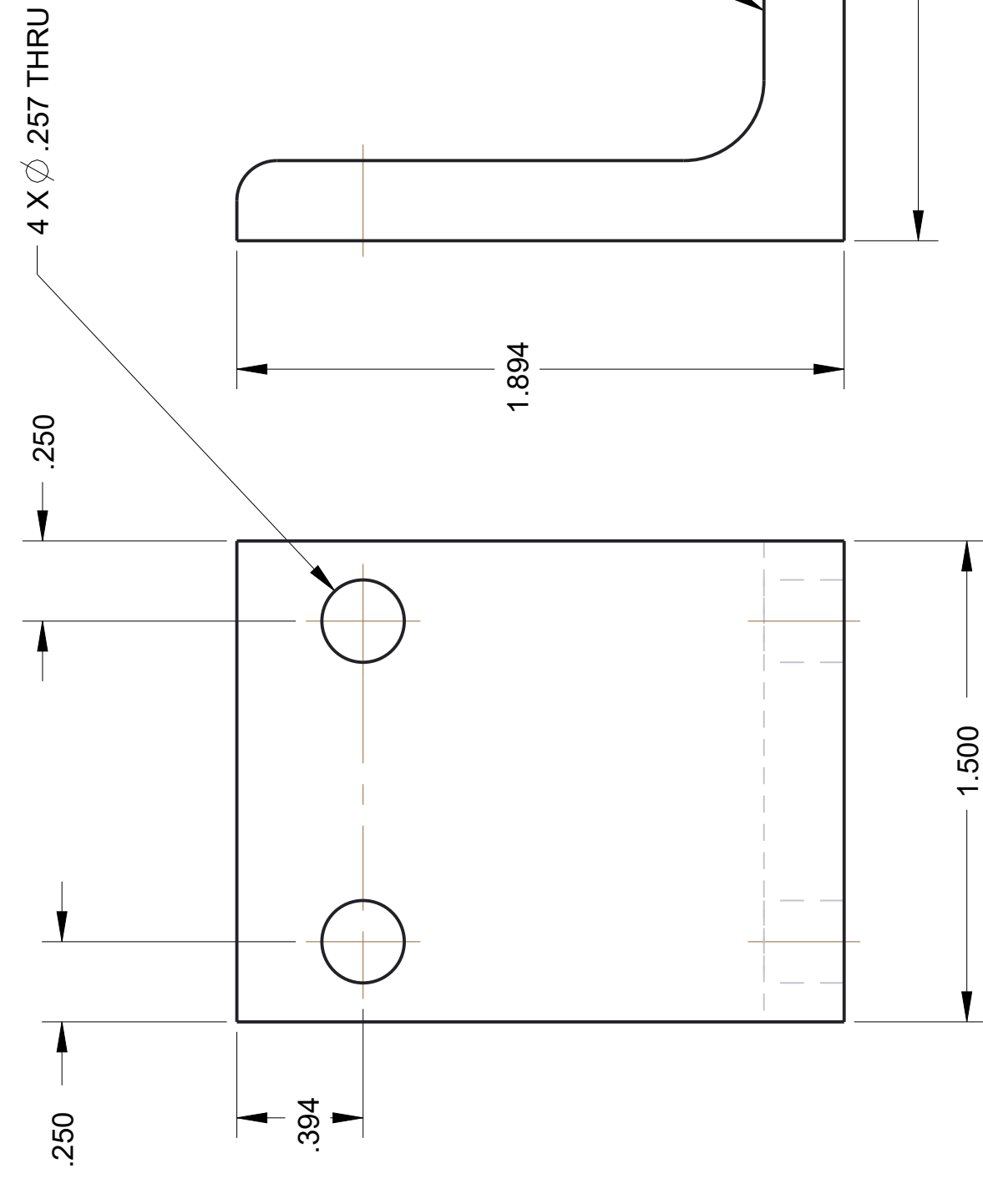
ISO VIEW  
SCALE 1/2



-4 CONNECTOR BAR (1 REQ'D.)  
SCALE 1/1

C

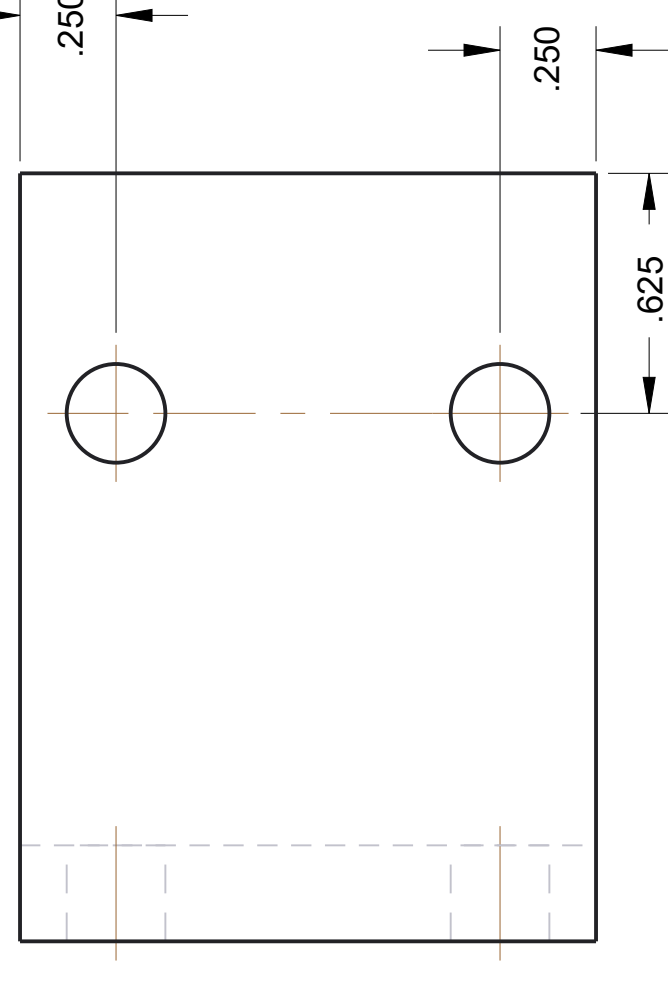
C



-1 ANGLE MOUNT (2 REQ'D.)  
SCALE 2/1

B

B



A

A

PRELIMINARY

DRAWN	V. LE BOFFE	SIZE/CAGE CODE	DWG. NO.	REV.
CHECKED		D	25305	1299316
		SCALE	1/1	SHEET
				2 OF 2

8

7

6

5

4

3

2

1

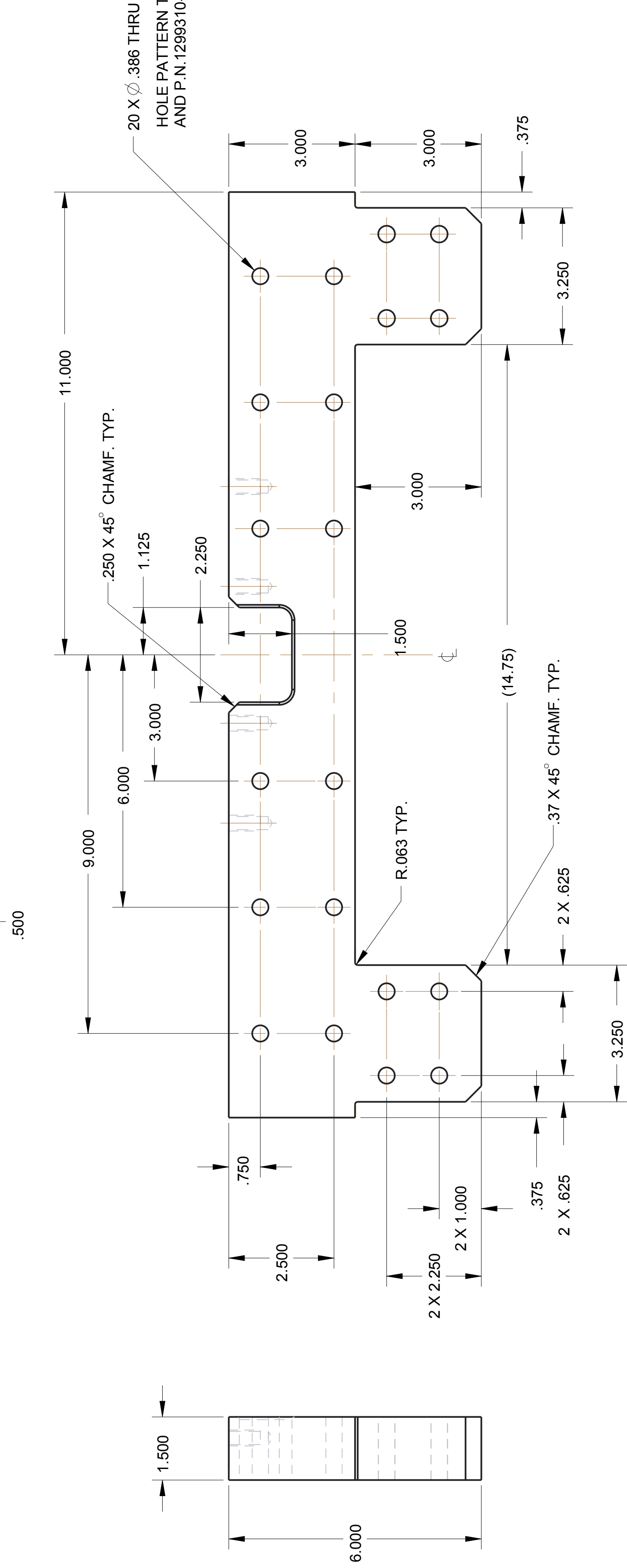
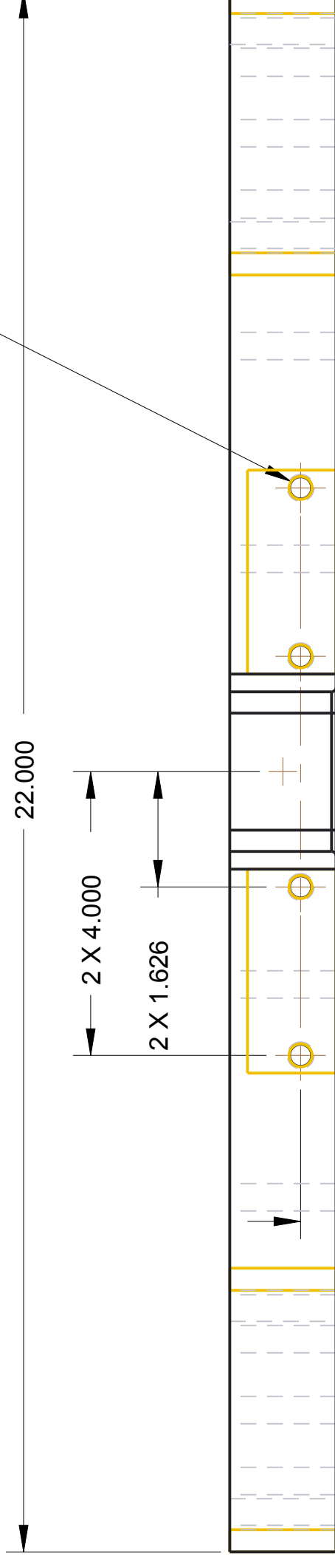
SCALE 1/1 SHEET 2 OF 2



**NOTES:**

1. INTERPRET THIS DRAWING PER DOD-D-1000 AND DOD-STD-100
2. INTERPRET DIMENSIONS AND TOLERANCES PER ANSI Y14.5 (LATEST REVISION AT TIME OF DRAWING RELEASE)
3. REMOVE ALL BURRS AND SHARP EDGES
4. SURFACE ROUGHNESS OF 63 MICROINCHES
5. NO FIOS REQUIRED
6. NO DEVIATIONS WITHOUT APPROVAL OF TPE
7. ALL FASTENERS ARE CONSIDERED NON SAFETY CRITICAL AND SHALL MEET THE MOST CURRENT REVISION OF: ASME B18.3, A574, A885, ASTM F912 AS APPROPRIATE. UNLESS OTHERWISE NOTED.

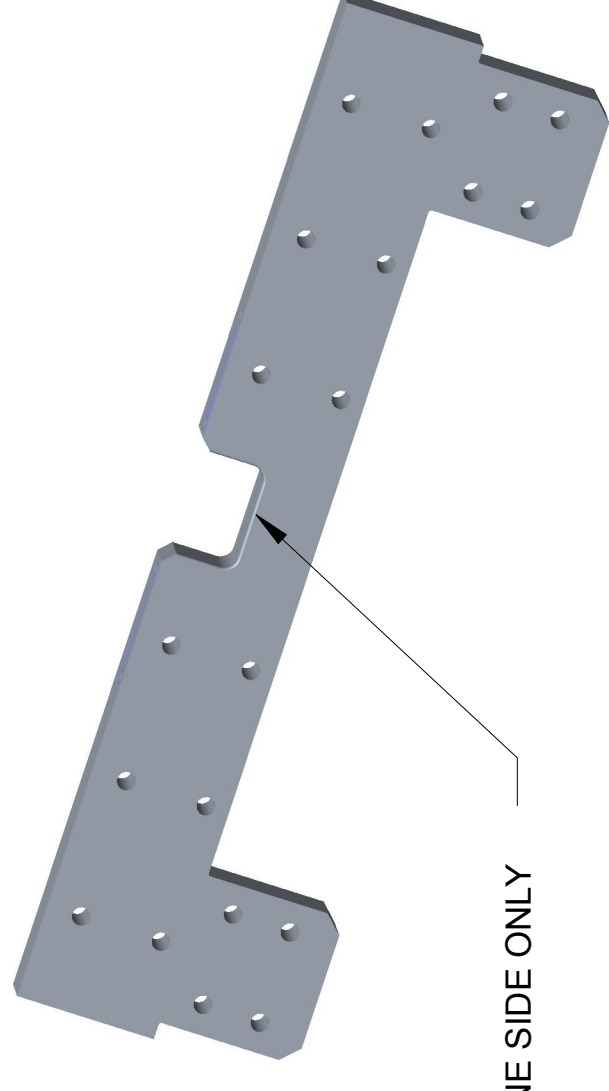
4X .312 $\pm$ .038  
THREAD FOR 3/8-16 UNC  $\nabla$ .750  
TO MATE WITH P.N. 1299319-1  
AT ASSEMBLY



**-1 CROSS BEAM WITH MOUNTS (1 REQ'D.)**

SCALE 1/2

**ISO VIEW**  
SCALE 1/4



.063 R. ONE SIDE ONLY

CAGE NO.	DWG. NO.	REV.	DATE	APPROVED
25305	1299318	1		

ZONE/REV	DESCRIPTION	DATE	APPROVED

8

7

6

5

4

3

1

1

D

C

B

A

PRELIMINARY

PART DASH NO.	FINAL	NEXT ASSY	USED ON	APPLICATION
-4	1	1299307-1	NEXT STEP 2	
-3	1	1299307-1	NEXT STEP 2	
-2	1	1299307-1	NEXT STEP 2	
-1	1	1299307-1	NEXT STEP 2	

UNLESS OTHERWISE SPECIFIED	CONTRACT NO.
DIMENSIONS IN INCHES	NATIONAL AERONAUTICS & SPACE ADMINISTRATION
TOLERANCES	LANGLEY RESEARCH CENTER
XXX .005	HAMPTON, VA 23681-0001
XX .010	
X .015	
ANGULAR	
.X .01	
TREATMENT	
NOTED	
FINISH	
NOTED	
SIMILAR TO	
SPECIAL MARKING BY	

ITEM NO.	QUANTITY	DESCRIPTION	DATE	APPROVALS	DATE	APPROVED
1	1	CROSS BEAM WITH MOUNTS	04/12/2018			
2	1	STRAPS CREEP TEST HARDWARE				
3	1	REAR BEAM WITH MOUNTS				
4	1	FRONT PLATE LEFT				

8

7

6

5

4

3

2

1

8

7

6

5

4

3

2

1

8

7

6

5

4

3

2

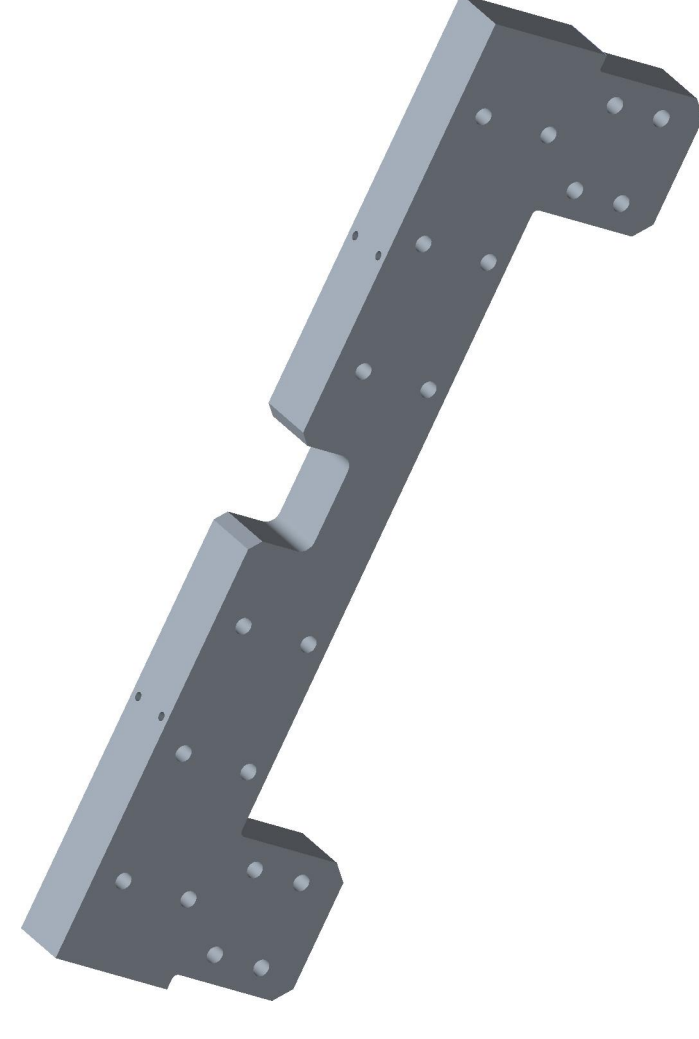
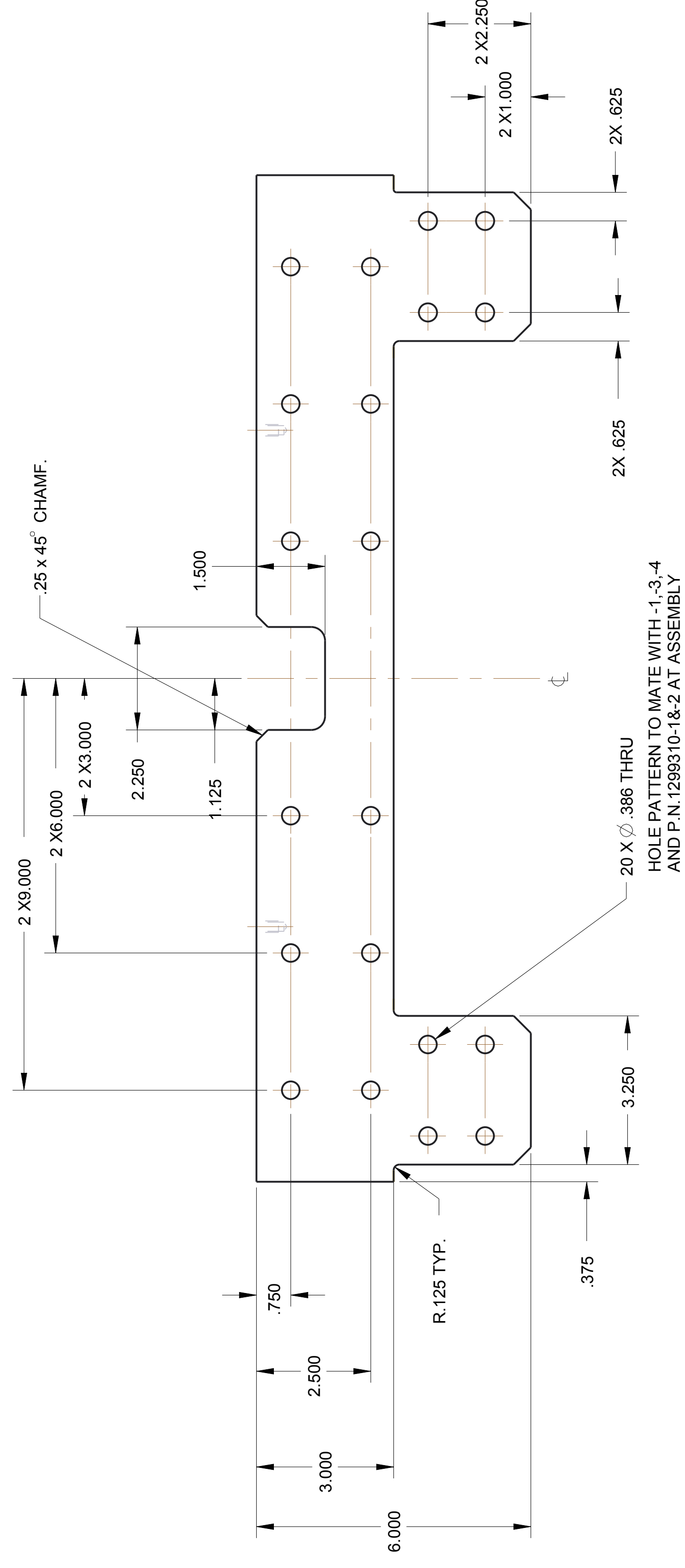
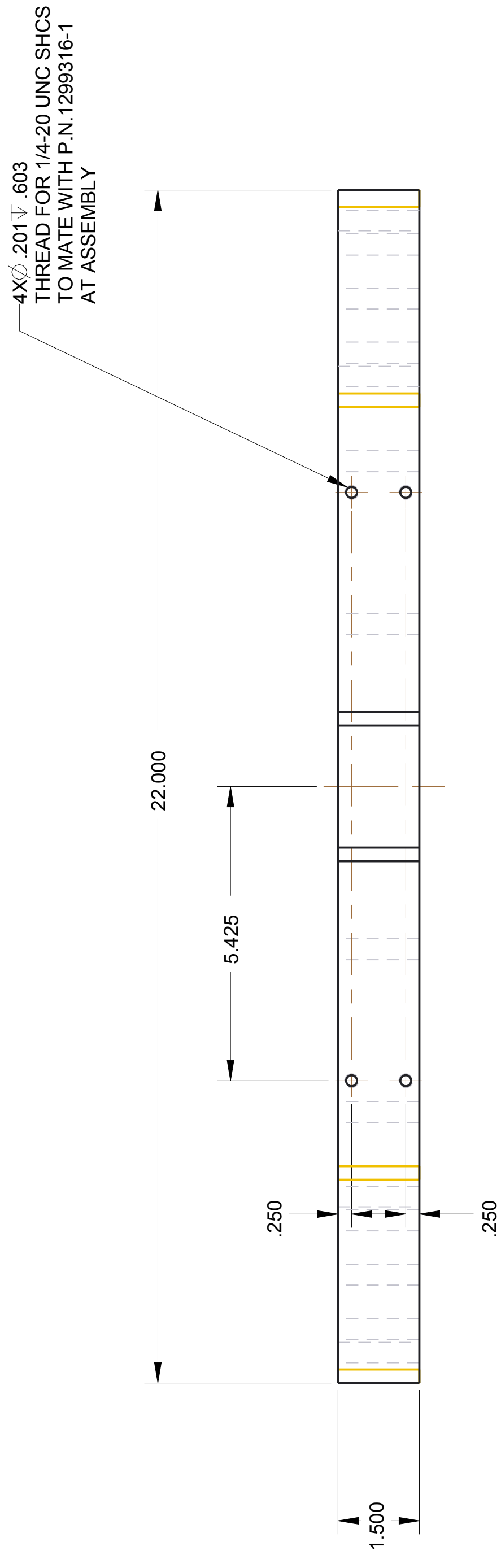
1

D

C

B

A



ISO VIEW  
SCALE 1/4

-2 REAR CROSS BEAM (1 REQ'D.)  
SCALE 1/2

PRELIMINARY

DRAWN	V. LE BOFFE
CHECKED	

SIZE/CAGE CODE	DWG. NO.	REV.
D 25305	1299318	
SCALE		SHEET
1/80		2 OF 3

CAGE	DWG. NO.	REV.
25305	1299318	2

D

C

B

A

8

7

6

5

4

3

2

1



8

7

6

5

4

3

2

1

D

C

B

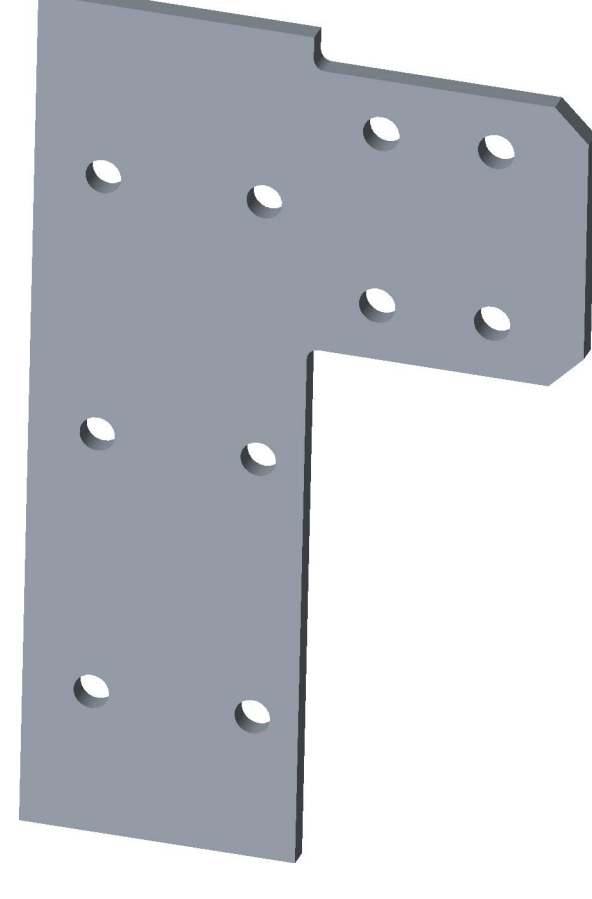
A

D

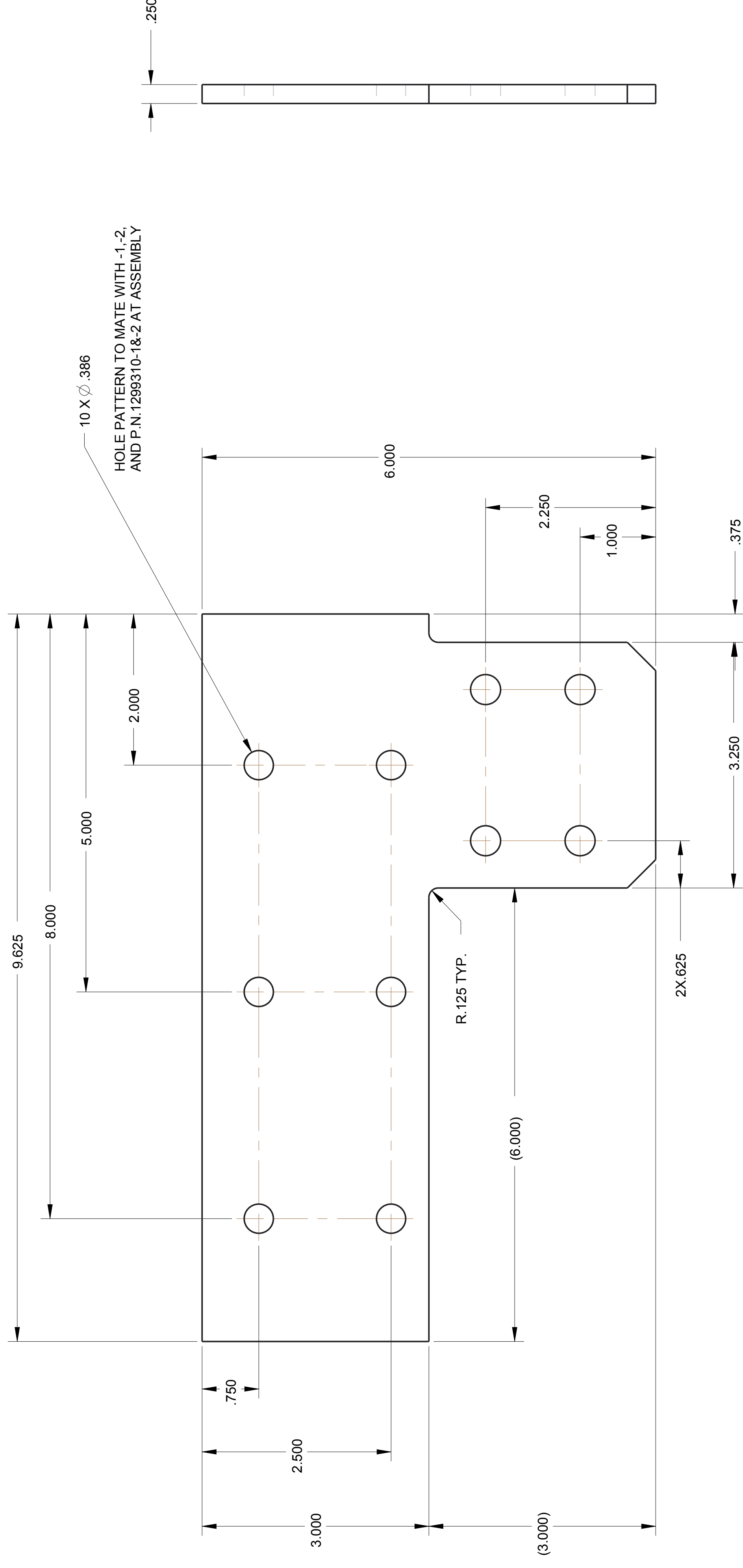
C

B

A



ISO VIEW  
SCALE 1/2



-3 FRONT PLATE RIGHT (1 REQ'D.)  
-4 FRONT PLATE LEFT (1 REQ'D.)

SCALE 1/1

PRELIMINARY

SIZE/CAGE CODE	DWG. NO.	REV.
D 25305	1299318	1
SCALE	SHEET	3 OF 3
DRAWN	CHECKED	
V. LE BOFFE		

SH

REV

1299318

25305

DWG. NO.

3

REV

1299318

SCALE

1299318

SHEET

3 OF 3

DRAWN

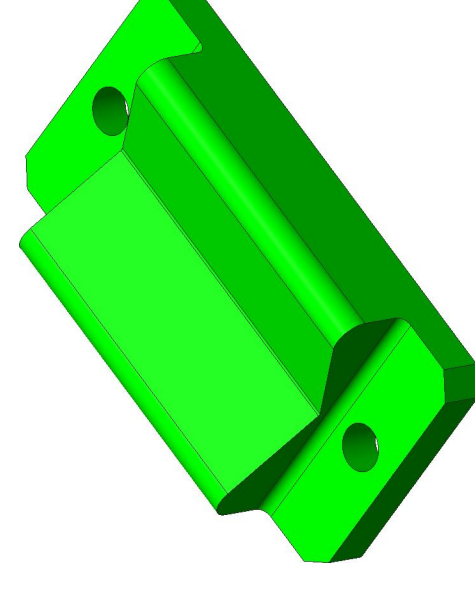
V. LE BOFFE

CHECKED

**NOTES:**

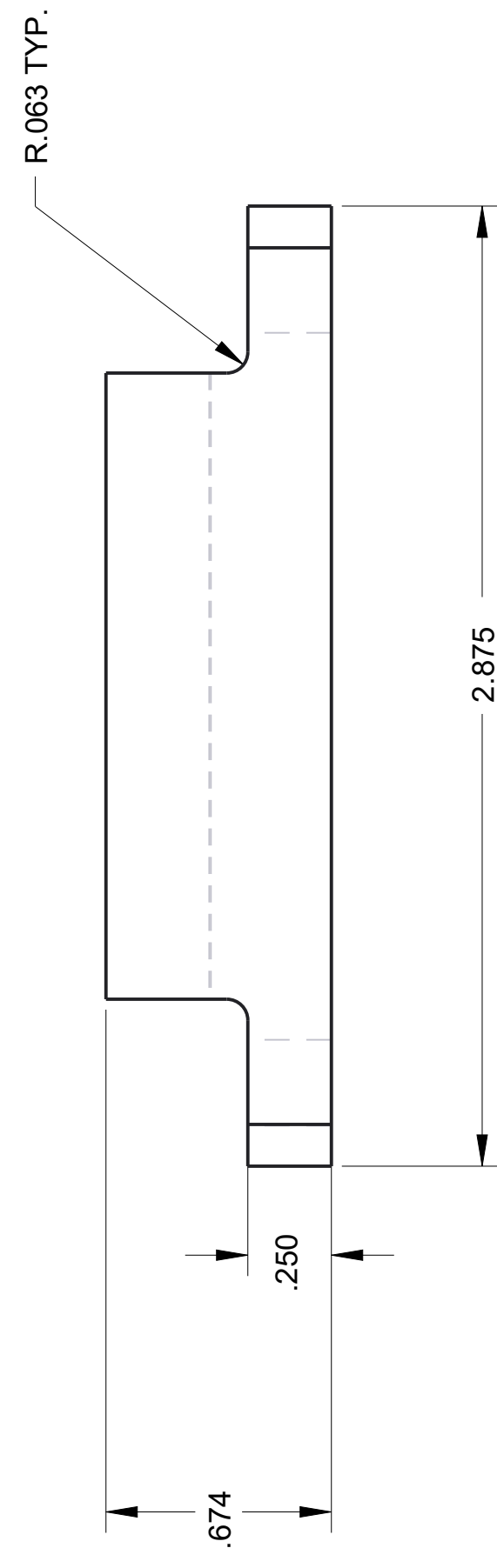
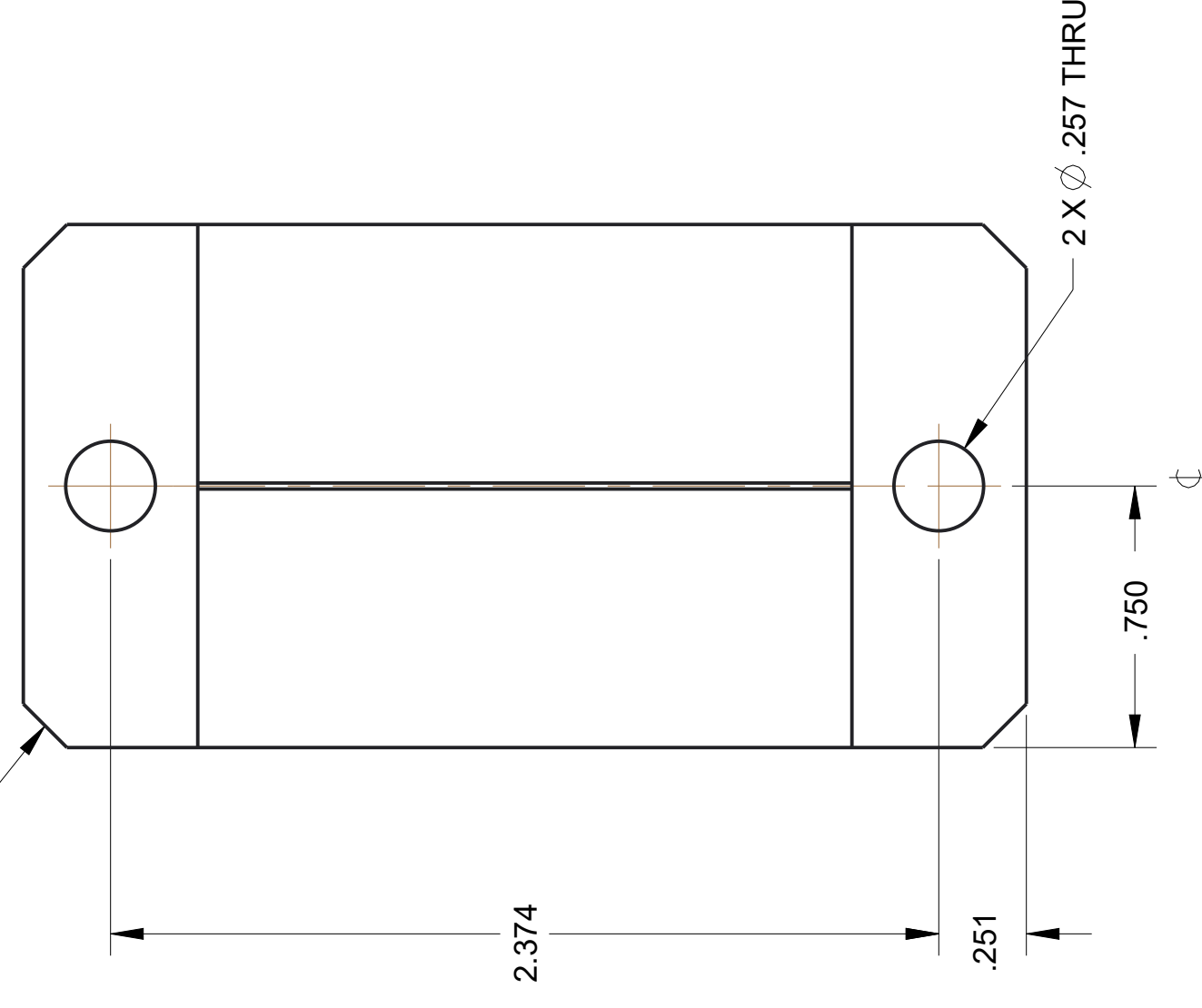
1. INTERPRET THIS DRAWING PER DOD-D-1000 AND DOD-STD-100
2. INTERPRET DIMENSIONS AND TOLERANCES PER ANSI Y14.5 (LATEST REVISION AT TIME OF DRAWING RELEASE)
3. REMOVE ALL BURRS AND SHARP EDGES
4. SURFACE ROUGHNESS OF 63 MICROINCHES
5. NO FIOS REQUIRED
6. NO DEVIATIONS WITHOUT APPROVAL OF TPE
7. ALL FASTENERS ARE CONSIDERED NON SAFETY CRITICAL AND SHALL MEET THE MOST CURRENT REVISION OF ASME B18.3, A574, A835, ASTM F912 AS APPROPRIATE, UNLESS OTHERWISE NOTED.

45° X .12 CHAMF. TYP.



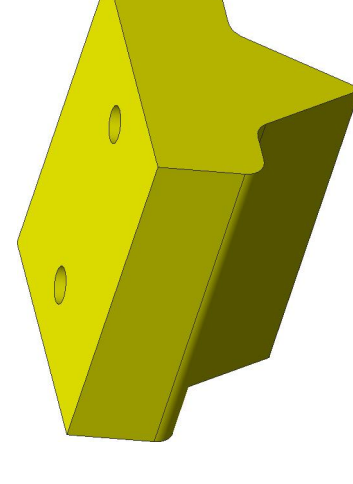
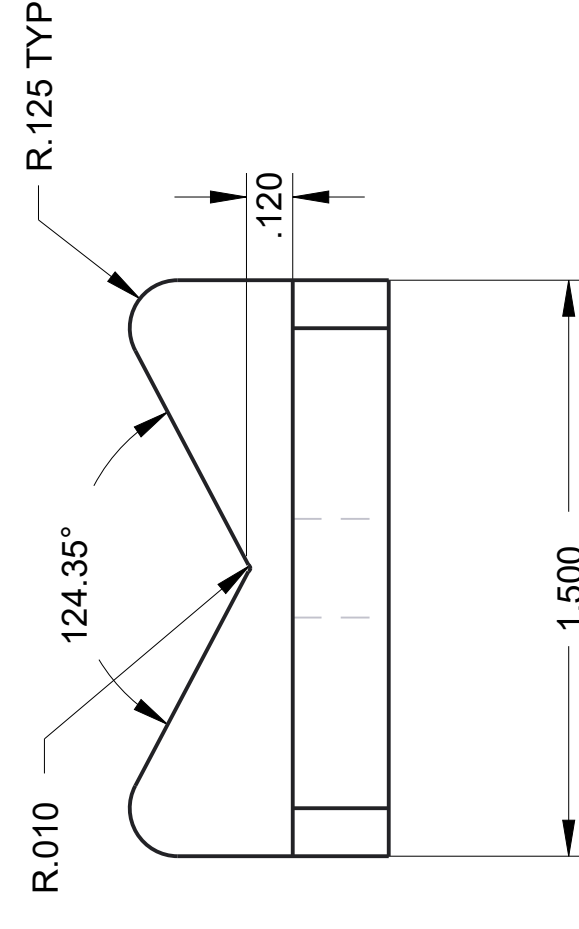
**ISO VIEW**

SCALE 1/1



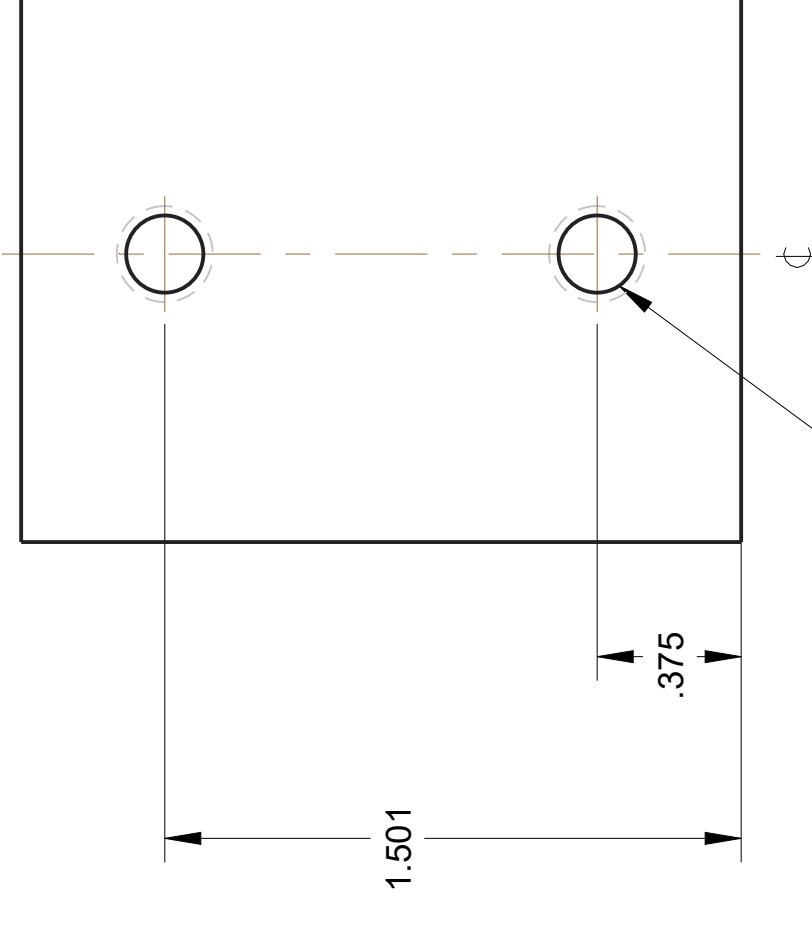
**-1 FEMALE PIVOT JOINT (1 REQ'D.)**

SCALE 2/1

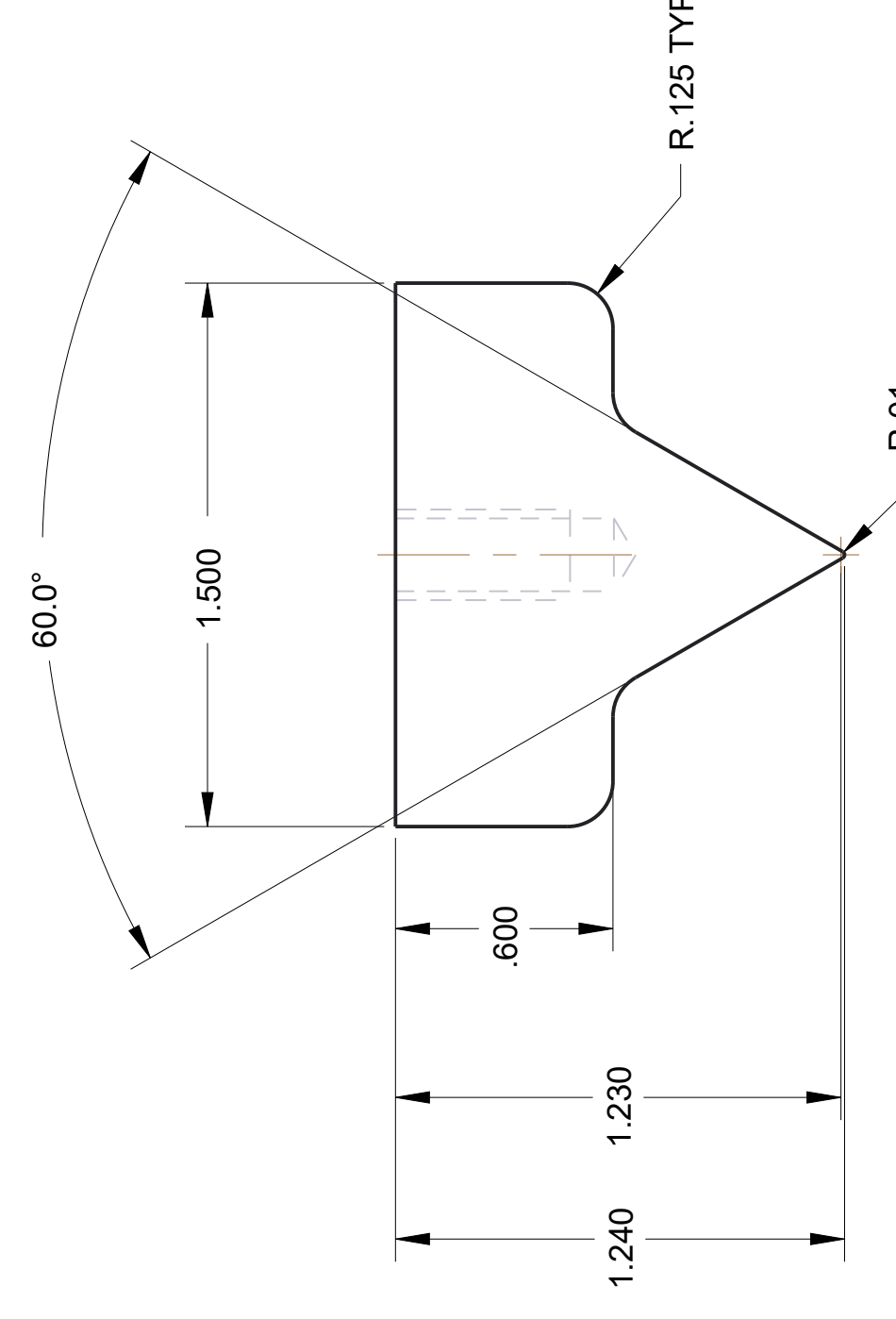


**ISO VIEW**

SCALE 1/1

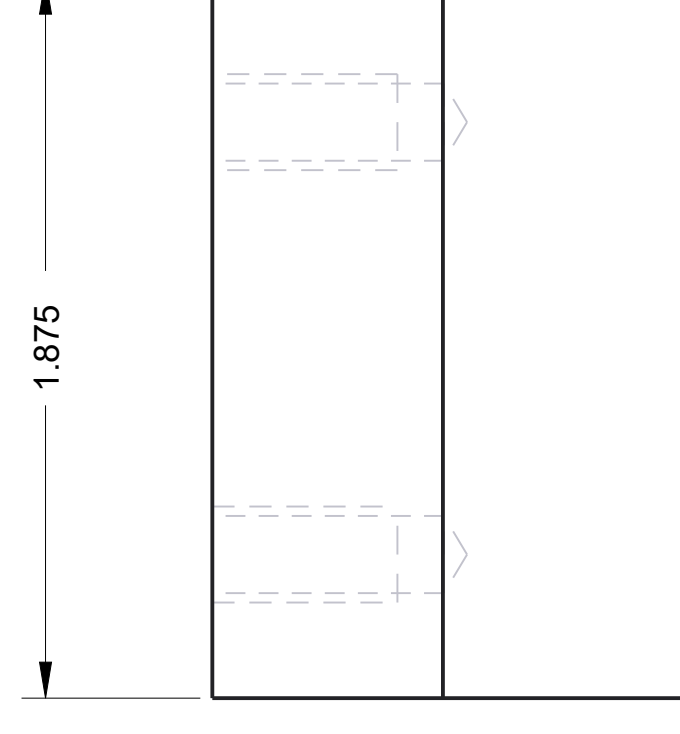


2 X Ø.201 V.70  
TAP 1/4-20 UNC V.50



**-2 MALE PIVOT JOINT (1 REQ'D.)**

SCALE 2/1



2	2	-2	MALE PIVOT JOINT	S. STEEL 17-4 H900	2
3	2	-1	FEMALE PIVOT JOINT	S. STEEL 17-4 H900	1
UNLESS OTHERWISE SPECIFIED DIMENSIONS ARE IN INCHES DECIMALS .006 .002 .001 ANGULAR .XXE .006 .001 .XE .01 TREATMENT NONE NOT TO SCALE DRAWING					
FINISH NOTED					
SIMILAR TO NOTED SPECIAL MARKING BY					

PARTS LIST					
NATIONAL AERONAUTICS & SPACE ADMINISTRATION LANGLEY RESEARCH CENTER HAMPTON, VA 23681-0001					
TITLE <b>PIVOT HARDWARE STRAP CREEP TEST HARDWARE NEXT STEP 2</b>					
DRAWN		DATE		REV.	
V. LE BOFFE		04/16/2018		-	
CHECKED		DESIGNER		-	
LEAD ENGR.		V. LE BOFFE		1299319	
BRANCH		4-16-18		1299319	
SCALE		1/1		1 OF 1	

CAGE NO.	DWG. NO.	REV.	DATE	APPROVED
25305	1299319	1	-	
REVISIONS				
ZONEREV	DESCRIPTION	DATE	APPROVED	

2	2	-2	MALE PIVOT JOINT	S. STEEL 17-4 H900	2
3	2	-1	FEMALE PIVOT JOINT	S. STEEL 17-4 H900	1

UNLESS OTHERWISE SPECIFIED DIMENSIONS ARE IN INCHES DECIMALS .006 .002 .001 ANGULAR .XXE .006 .001 .XE .01 TREATMENT NONE NOT TO SCALE DRAWING					
FINISH NOTED					
SIMILAR TO NOTED SPECIAL MARKING BY					

-2	2	1299307-1	NEXT STEP 2		
-1	2	1299307-1	NEXT STEP 2		
PART DASH	QTY REQD	NEXT ASSY	USED ON	APPLICATION	
NO.	PER ASSY				

2	2	-2	MALE PIVOT JOINT	S. STEEL 17-4 H900	2
3	2	-1	FEMALE PIVOT JOINT	S. STEEL 17-4 H900	1

UNLESS OTHERWISE SPECIFIED DIMENSIONS ARE IN INCHES DECIMALS .006 .002 .001 ANGULAR .XXE .006 .001 .XE .01 TREATMENT NONE NOT TO SCALE DRAWING					
FINISH NOTED					
SIMILAR TO NOTED SPECIAL MARKING BY					

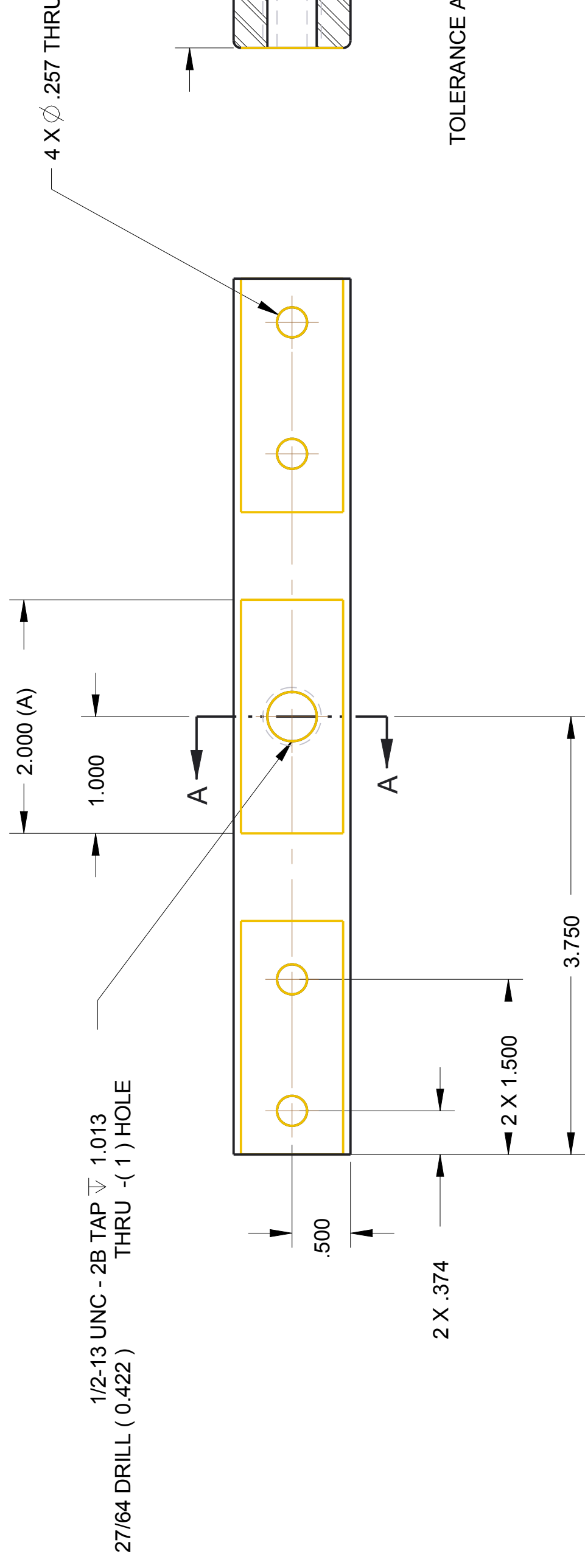
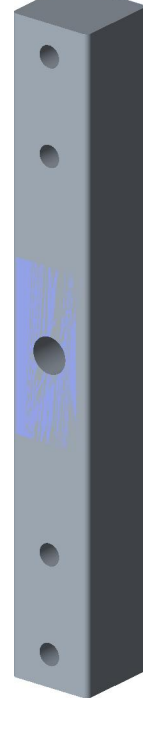
-2	2	1299307-1	NEXT STEP 2		
-1	2	1299307-1	NEXT STEP 2		
PART DASH	QTY REQD	NEXT ASSY	USED ON	APPLICATION	
NO.	PER ASSY				

2	2	-2	MALE PIVOT JOINT	S. STEEL 17-4 H900	2
3	2	-1	FEMALE PIVOT JOINT	S. STEEL 17-4 H900	1

UNLESS OTHERWISE SPECIFIED DIMENSIONS ARE IN INCHES DECIMALS .006 .002 .001 ANGULAR .XXE .006 .001 .XE .01 TREATMENT NONE NOT TO SCALE DRAWING					
FINISH NOTED					
SIMILAR TO NOTED SPECIAL MARKING BY					

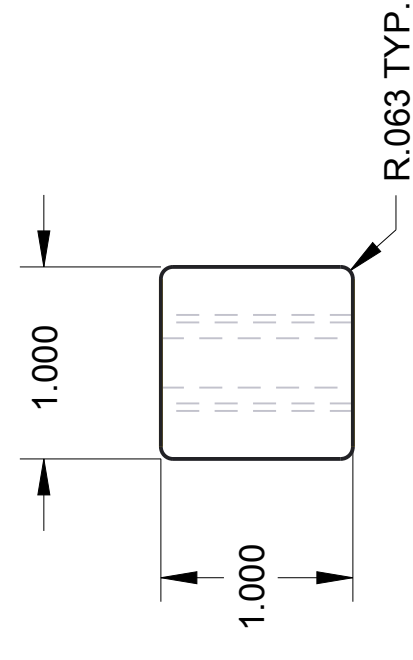
**NOTES:**

1. INTERPRET THIS DRAWING PER DOD-D-1000 AND DOD-STD-100
2. INTERPRET DIMENSIONS AND TOLERANCES PER ANSI Y14.5 (LATEST REVISION AT TIME OF DRAWING RELEASE)
3. REMOVE ALL BURRS AND SHARP EDGES
4. SURFACE ROUGHNESS OF 63 MICROINCHES
5. NO FIOS REQUIRED
6. NO DEVIATIONS WITHOUT APPROVAL OF TPE
7. ALL FASTENERS ARE CONSIDERED NON SAFETY CRITICAL AND SHALL MEET THE MOST CURRENT REVISION OF: ASME B18.3, A574, A835, ASTM F912 AS APPROPRIATE, UNLESS OTHERWISE NOTED.



SECTION A-A  
TOLERANCE APPLIED ONLY IN AREA INDICATED AS (A)

ISO VIEW  
SCALE 1/2



**-1 CANTILIVER MOUNT BEAM (1 REQ'D.)**

SCALE 1/1

CAGE NO.	DWG. NO.	REV.	DATE	APPROVED
25305	1299320	1		

ZONEREV	DESCRIPTION	DATE	APPROVED

1	1	1	1	1
QTY REQ'D	CAGE CODE	PART OR IDENTIFYING NO.	NOMENCLATURE DESCRIPTION	MATERIAL SPECIFICATION
-1			CANTILIVER MOUNT BEAM	S. STEEL 17-4 H1025

UNLESS OTHERWISE SPECIFIED DIMENSIONS ARE IN INCHES		CONTRACT NO.	
DECIMALS	ANGULAR	DRAWN	DATE
XXX 0.02	XXE 0.1	V. LE BOFFE	04/17/2018
XXX 0.006	XXE 0.1	CHECKED	
XXX 0.001	XXE 0.1	DESIGNER	
XXX 0.0005	XXE 0.1	LEAD ENGR	4-17-18
XXX 0.0002	XXE 0.1	BRANCH	
XXX 0.0001	XXE 0.1		
TREATMENT	NOTED		
FINISH	NOTED		
SIMILAR TO	SPECIAL MARKING SYM		
-1	1	1299307-1	NEXT STEP 2
PART DASH NO.	QTY REQ'D PER ASSY	NEXT ASSY	USED ON
		APPLICATION	

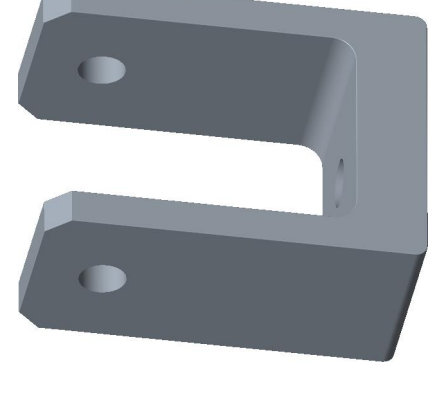
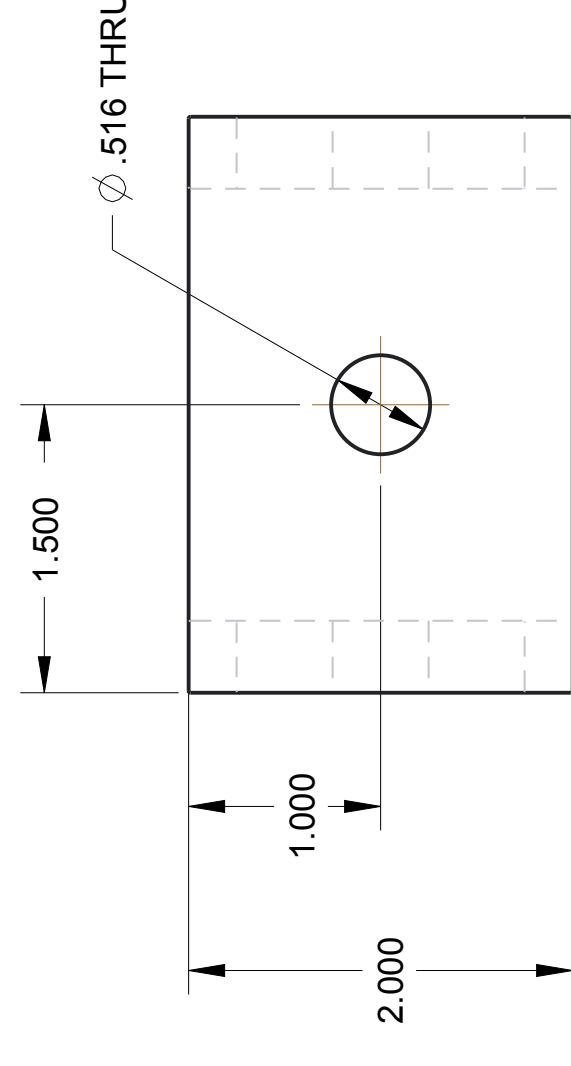
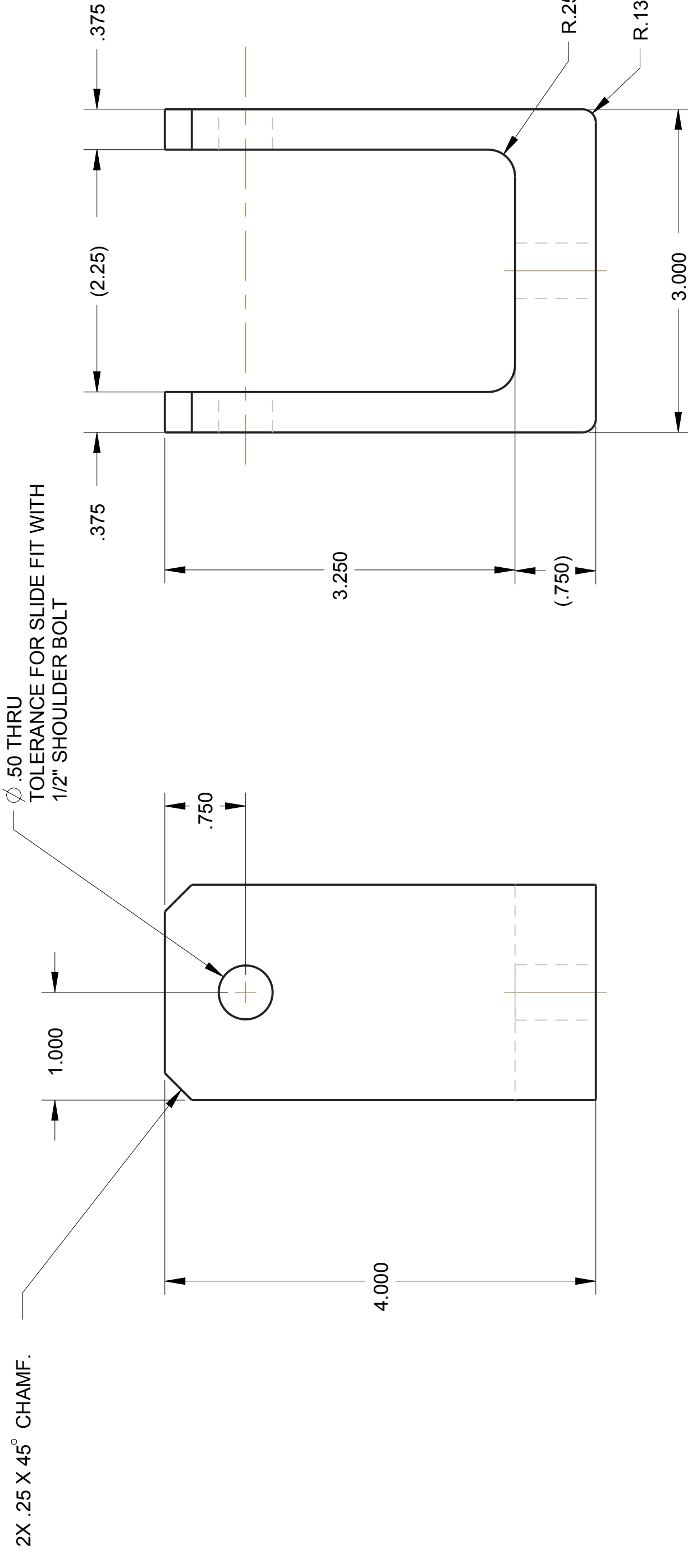
PARTS LIST		TITLE	
NATIONAL AERONAUTICS & SPACE ADMINISTRATION LANGLEY RESEARCH CENTER HAMPTON, VA 23681-0001		CANTILIVER MOUNT BEAM STRAP CREEP TEST HARDWARE NEXT STEP 2	
SIZE	CAGE CODE	DWG. NO.	REV.
D	25305	1299320	-
SCALE	1/1	CAGE-WT-FCT-WT	SHEET
			1 OF 1

PRELIMINARY	
-------------	--

8	7	6	5	4	3	2	1
---	---	---	---	---	---	---	---

NOTES:

- 1. INTERPRET THIS DRAWING PER DOD-D-1000 AND DOD-STD-100
- 2. INTERPRET DIMENSIONS AND TOLERANCES PER ANSI Y14.5 (LATEST REVISION AT TIME OF DRAWING RELEASE)
- 3. REMOVE ALL BURRS AND SHARP EDGES
- 4. SURFACE ROUGHNESS OF 63 MICROINCHES
- 5. NO FIOS REQUIRED
- 6. NO DEVIATIONS WITHOUT APPROVAL OF TPE
- 7. ALL FASTENERS ARE CONSIDERED NON SAFETY CRITICAL AND SHALL MEET THE MOST CURRENT REVISION OF: ASME B18.3, A574, A835, ASTM F912 AS APPROPRIATE; UNLESS OTHERWISE NOTED.



ISO VIEW  
SCALE 1/2

-1 WEIGHTS YOKE (1 REQ'D.)

SCALE 1/1

8	7	6	5	4	3	2	1																																																																																																																																																																																																																																																																																																																																																																																																																																																																																																																																																																																																																																																																																																																																																																																																																																																																																																																																																																																																																																																																																																																																																																																																																																																																																																																																																																																						
<table border="1" style="width: 100%; border-collapse: collapse;"> <tr> <td style="width: 20%;">CAGE NO.</td> <td style="width: 20%;">DWG. NO.</td> <td style="width: 20%;">REV. 1</td> <td style="width: 20%;">REV. -</td> <td style="width: 20%;">REV. -</td> <td style="width: 20%;">REV. -</td> </tr> <tr> <td colspan="3">1299321</td> <td colspan="3">1</td> </tr> <tr> <td colspan="2">ZONEREV</td> <td colspan="4">REVISIONS</td> </tr> <tr> <td colspan="2">DESCRIPTION</td> <td colspan="4">DATE</td> </tr> <tr> <td colspan="2"></td> <td colspan="4">APPROVED</td> </tr> </table>								CAGE NO.	DWG. NO.	REV. 1	REV. -	REV. -	REV. -	1299321			1			ZONEREV		REVISIONS				DESCRIPTION		DATE						APPROVED																																																																																																																																																																																																																																																																																																																																																																																																																																																																																																																																																																																																																																																																																																																																																																																																																																																																																																																																																																																																																																																																																																																																																																																																																																																																																																																																																											
CAGE NO.	DWG. NO.	REV. 1	REV. -	REV. -	REV. -																																																																																																																																																																																																																																																																																																																																																																																																																																																																																																																																																																																																																																																																																																																																																																																																																																																																																																																																																																																																																																																																																																																																																																																																																																																																																																																																																																																								
1299321			1																																																																																																																																																																																																																																																																																																																																																																																																																																																																																																																																																																																																																																																																																																																																																																																																																																																																																																																																																																																																																																																																																																																																																																																																																																																																																																																																																																																										
ZONEREV		REVISIONS																																																																																																																																																																																																																																																																																																																																																																																																																																																																																																																																																																																																																																																																																																																																																																																																																																																																																																																																																																																																																																																																																																																																																																																																																																																																																																																																																																																											
DESCRIPTION		DATE																																																																																																																																																																																																																																																																																																																																																																																																																																																																																																																																																																																																																																																																																																																																																																																																																																																																																																																																																																																																																																																																																																																																																																																																																																																																																																																																																																																											
		APPROVED																																																																																																																																																																																																																																																																																																																																																																																																																																																																																																																																																																																																																																																																																																																																																																																																																																																																																																																																																																																																																																																																																																																																																																																																																																																																																																																																																																																											
<table border="1" style="width: 100%; border-collapse: collapse;"> <tr> <td style="width: 20%;">GTY RECD</td> <td style="width: 20%;">CAGE CODE</td> <td style="width: 20%;">PART OR IDENTIFYING NO.</td> <td style="width: 20%;">WEIGHTS YOKE</td> <td style="width: 20%;">NOMENCLATURE</td> <td style="width: 20%;">MATERIAL SPECIFICATION</td> </tr> <tr> <td style="text-align: center;">1</td> <td style="text-align: center;">-1</td> <td style="text-align: center;">-1</td> <td style="text-align: center;">S.S. 17-4 H 1025</td> <td style="text-align: center;">1</td> <td style="text-align: center;">1</td> </tr> <tr> <td colspan="6" style="text-align: center;">PARTS LIST</td> </tr> <tr> <td colspan="6" style="text-align: center;"> <table border="1" style="width: 100%; border-collapse: collapse;"> <tr> <td colspan="2">UNLESS OTHERWISE SPECIFIED</td> <td colspan="4">CONTRACT NO.</td> </tr> <tr> <td>DECIMALS</td> <td>ANGULAR</td> <td colspan="4">NATIONAL AERONAUTICS &amp; SPACE ADMINISTRATION</td> </tr> <tr> <td>XXX 0.02</td> <td>XXE 0.1</td> <td colspan="4">LANGLEY RESEARCH CENTER</td> </tr> <tr> <td>XXX 0.05</td> <td>XXE 0.1</td> <td colspan="4">HAMPTON, VA 23681-0001</td> </tr> <tr> <td>XXX 0.10</td> <td>XXE 0.1</td> <td colspan="4"></td> </tr> <tr> <td>XXX 0.15</td> <td>XXE 0.1</td> <td colspan="4"></td> </tr> <tr> <td>XXX 0.20</td> <td>XXE 0.1</td> <td colspan="4"></td> </tr> <tr> <td>XXX 0.25</td> <td>XXE 0.1</td> <td colspan="4"></td> </tr> <tr> <td>XXX 0.30</td> <td>XXE 0.1</td> <td colspan="4"></td> </tr> <tr> <td>XXX 0.35</td> <td>XXE 0.1</td> <td colspan="4"></td> </tr> <tr> <td>XXX 0.40</td> <td>XXE 0.1</td> <td colspan="4"></td> </tr> <tr> <td>XXX 0.45</td> <td>XXE 0.1</td> <td colspan="4"></td> </tr> <tr> <td>XXX 0.50</td> <td>XXE 0.1</td> <td colspan="4"></td> </tr> <tr> <td>XXX 0.55</td> <td>XXE 0.1</td> <td colspan="4"></td> </tr> <tr> <td>XXX 0.60</td> <td>XXE 0.1</td> <td colspan="4"></td> </tr> <tr> <td>XXX 0.65</td> <td>XXE 0.1</td> <td colspan="4"></td> </tr> <tr> <td>XXX 0.70</td> <td>XXE 0.1</td> <td colspan="4"></td> </tr> <tr> <td>XXX 0.75</td> <td>XXE 0.1</td> <td colspan="4"></td> </tr> <tr> <td>XXX 0.80</td> <td>XXE 0.1</td> <td colspan="4"></td> </tr> <tr> <td>XXX 0.85</td> <td>XXE 0.1</td> <td colspan="4"></td> </tr> <tr> <td>XXX 0.90</td> <td>XXE 0.1</td> <td colspan="4"></td> </tr> <tr> <td>XXX 0.95</td> <td>XXE 0.1</td> <td colspan="4"></td> </tr> <tr> <td>XXX 1.00</td> <td>XXE 0.1</td> <td colspan="4"></td> </tr> <tr> <td>XXX 1.05</td> <td>XXE 0.1</td> <td colspan="4"></td> </tr> <tr> <td>XXX 1.10</td> <td>XXE 0.1</td> <td colspan="4"></td> </tr> <tr> <td>XXX 1.15</td> <td>XXE 0.1</td> <td colspan="4"></td> </tr> <tr> <td>XXX 1.20</td> <td>XXE 0.1</td> <td colspan="4"></td> </tr> <tr> <td>XXX 1.25</td> <td>XXE 0.1</td> <td colspan="4"></td> </tr> <tr> <td>XXX 1.30</td> <td>XXE 0.1</td> <td colspan="4"></td> </tr> <tr> <td>XXX 1.35</td> <td>XXE 0.1</td> <td colspan="4"></td> </tr> <tr> <td>XXX 1.40</td> <td>XXE 0.1</td> <td colspan="4"></td> </tr> <tr> <td>XXX 1.45</td> <td>XXE 0.1</td> <td colspan="4"></td> </tr> <tr> <td>XXX 1.50</td> <td>XXE 0.1</td> <td colspan="4"></td> </tr> <tr> <td>XXX 1.55</td> <td>XXE 0.1</td> <td colspan="4"></td> </tr> <tr> <td>XXX 1.60</td> <td>XXE 0.1</td> <td colspan="4"></td> </tr> <tr> <td>XXX 1.65</td> <td>XXE 0.1</td> <td colspan="4"></td> </tr> <tr> <td>XXX 1.70</td> <td>XXE 0.1</td> <td colspan="4"></td> </tr> <tr> <td>XXX 1.75</td> <td>XXE 0.1</td> <td colspan="4"></td> </tr> <tr> <td>XXX 1.80</td> <td>XXE 0.1</td> <td colspan="4"></td> </tr> <tr> <td>XXX 1.85</td> <td>XXE 0.1</td> <td colspan="4"></td> </tr> <tr> <td>XXX 1.90</td> <td>XXE 0.1</td> <td colspan="4"></td> </tr> <tr> <td>XXX 1.95</td> <td>XXE 0.1</td> <td colspan="4"></td> </tr> <tr> <td>XXX 2.00</td> <td>XXE 0.1</td> <td colspan="4"></td> </tr> <tr> <td>XXX 2.05</td> <td>XXE 0.1</td> <td colspan="4"></td> </tr> <tr> <td>XXX 2.10</td> <td>XXE 0.1</td> <td colspan="4"></td> </tr> <tr> <td>XXX 2.15</td> <td>XXE 0.1</td> <td colspan="4"></td> </tr> <tr> <td>XXX 2.20</td> <td>XXE 0.1</td> <td colspan="4"></td> </tr> <tr> <td>XXX 2.25</td> <td>XXE 0.1</td> <td colspan="4"></td> </tr> <tr> <td>XXX 2.30</td> <td>XXE 0.1</td> <td colspan="4"></td> </tr> <tr> <td>XXX 2.35</td> <td>XXE 0.1</td> <td colspan="4"></td> </tr> <tr> <td>XXX 2.40</td> <td>XXE 0.1</td> <td colspan="4"></td> </tr> <tr> <td>XXX 2.45</td> <td>XXE 0.1</td> <td colspan="4"></td> </tr> <tr> <td>XXX 2.50</td> <td>XXE 0.1</td> <td colspan="4"></td> </tr> <tr> <td>XXX 2.55</td> <td>XXE 0.1</td> <td colspan="4"></td> </tr> <tr> <td>XXX 2.60</td> <td>XXE 0.1</td> <td colspan="4"></td> </tr> <tr> <td>XXX 2.65</td> <td>XXE 0.1</td> <td colspan="4"></td> </tr> <tr> <td>XXX 2.70</td> <td>XXE 0.1</td> <td colspan="4"></td> </tr> <tr> <td>XXX 2.75</td> <td>XXE 0.1</td> <td colspan="4"></td> </tr> <tr> <td>XXX 2.80</td> <td>XXE 0.1</td> <td colspan="4"></td> </tr> <tr> <td>XXX 2.85</td> <td>XXE 0.1</td> <td colspan="4"></td> </tr> <tr> <td>XXX 2.90</td> <td>XXE 0.1</td> <td colspan="4"></td> </tr> <tr> <td>XXX 2.95</td> <td>XXE 0.1</td> <td colspan="4"></td> </tr> <tr> <td>XXX 3.00</td> <td>XXE 0.1</td> <td colspan="4"></td> </tr> <tr> <td>XXX 3.05</td> <td>XXE 0.1</td> <td colspan="4"></td> </tr> <tr> <td>XXX 3.10</td> <td>XXE 0.1</td> <td colspan="4"></td> </tr> <tr> <td>XXX 3.15</td> <td>XXE 0.1</td> <td colspan="4"></td> </tr> <tr> <td>XXX 3.20</td> <td>XXE 0.1</td> <td colspan="4"></td> </tr> <tr> <td>XXX 3.25</td> <td>XXE 0.1</td> <td colspan="4"></td> </tr> <tr> <td>XXX 3.30</td> <td>XXE 0.1</td> <td colspan="4"></td> </tr> <tr> <td>XXX 3.35</td> <td>XXE 0.1</td> <td colspan="4"></td> </tr> <tr> <td>XXX 3.40</td> <td>XXE 0.1</td> <td colspan="4"></td> </tr> <tr> <td>XXX 3.45</td> <td>XXE 0.1</td> <td colspan="4"></td> </tr> <tr> <td>XXX 3.50</td> <td>XXE 0.1</td> <td colspan="4"></td> </tr> <tr> <td>XXX 3.55</td> <td>XXE 0.1</td> <td colspan="4"></td> </tr> <tr> <td>XXX 3.60</td> <td>XXE 0.1</td> <td colspan="4"></td> </tr> <tr> <td>XXX 3.65</td> <td>XXE 0.1</td> <td colspan="4"></td> </tr> <tr> <td>XXX 3.70</td> <td>XXE 0.1</td> <td colspan="4"></td> </tr> <tr> <td>XXX 3.75</td> <td>XXE 0.1</td> <td colspan="4"></td> </tr> <tr> <td>XXX 3.80</td> <td>XXE 0.1</td> <td colspan="4"></td> </tr> <tr> <td>XXX 3.85</td> <td>XXE 0.1</td> <td colspan="4"></td> </tr> <tr> <td>XXX 3.90</td> <td>XXE 0.1</td> <td colspan="4"></td> </tr> <tr> <td>XXX 3.95</td> <td>XXE 0.1</td> <td colspan="4"></td> </tr> <tr> <td>XXX 4.00</td> <td>XXE 0.1</td> <td colspan="4"></td> </tr> <tr> <td>XXX 4.05</td> <td>XXE 0.1</td> <td colspan="4"></td> </tr> <tr> <td>XXX 4.10</td> <td>XXE 0.1</td> <td colspan="4"></td> </tr> <tr> <td>XXX 4.15</td> <td>XXE 0.1</td> <td colspan="4"></td> </tr> <tr> <td>XXX 4.20</td> <td>XXE 0.1</td> <td colspan="4"></td> </tr> <tr> <td>XXX 4.25</td> <td>XXE 0.1</td> <td colspan="4"></td> </tr> <tr> <td>XXX 4.30</td> <td>XXE 0.1</td> <td colspan="4"></td> </tr> <tr> <td>XXX 4.35</td> <td>XXE 0.1</td> <td colspan="4"></td> </tr> <tr> <td>XXX 4.40</td> <td>XXE 0.1</td> <td colspan="4"></td> </tr> <tr> <td>XXX 4.45</td> <td>XXE 0.1</td> <td colspan="4"></td> </tr> <tr> <td>XXX 4.50</td> <td>XXE 0.1</td> <td colspan="4"></td> </tr> <tr> <td>XXX 4.55</td> <td>XXE 0.1</td> <td colspan="4"></td> </tr> <tr> <td>XXX 4.60</td> <td>XXE 0.1</td> <td colspan="4"></td> </tr> <tr> <td>XXX 4.65</td> <td>XXE 0.1</td> <td colspan="4"></td> </tr> <tr> <td>XXX 4.70</td> <td>XXE 0.1</td> <td colspan="4"></td> </tr> <tr> <td>XXX 4.75</td> <td>XXE 0.1</td> <td colspan="4"></td> </tr> <tr> <td>XXX 4.80</td> <td>XXE 0.1</td> <td colspan="4"></td> </tr> <tr> <td>XXX 4.85</td> <td>XXE 0.1</td> <td colspan="4"></td> </tr> <tr> <td>XXX 4.90</td> <td>XXE 0.1</td> <td colspan="4"></td> </tr> <tr> <td>XXX 4.95</td> <td>XXE 0.1</td> <td colspan="4"></td> </tr> <tr> <td>XXX 5.00</td> <td>XXE 0.1</td> <td colspan="4"></td> </tr> <tr> <td>XXX 5.05</td> <td>XXE 0.1</td> <td colspan="4"></td> </tr> <tr> <td>XXX 5.10</td> <td>XXE 0.1</td> <td colspan="4"></td> </tr> <tr> <td>XXX 5.15</td> <td>XXE 0.1</td> <td colspan="4"></td> </tr> <tr> <td>XXX 5.20</td> <td>XXE 0.1</td> <td colspan="4"></td> </tr> <tr> <td>XXX 5.25</td> <td>XXE 0.1</td> <td colspan="4"></td> </tr> <tr> <td>XXX 5.30</td> <td>XXE 0.1</td> <td colspan="4"></td> </tr> <tr> <td>XXX 5.35</td> <td>XXE 0.1</td> <td colspan="4"></td> </tr> <tr> <td>XXX 5.40</td> <td>XXE 0.1</td> <td colspan="4"></td> </tr> <tr> <td>XXX 5.45</td> <td>XXE 0.1</td> <td colspan="4"></td> </tr> <tr> <td>XXX 5.50</td> <td>XXE 0.1</td> <td colspan="4"></td> </tr> <tr> <td>XXX 5.55</td> <td>XXE 0.1</td> <td colspan="4"></td> </tr> <tr> <td>XXX 5.60</td> <td>XXE 0.1</td> <td colspan="4"></td> </tr> <tr> <td>XXX 5.65</td> <td>XXE 0.1</td> <td colspan="4"></td> </tr> <tr> <td>XXX 5.70</td> <td>XXE 0.1</td> <td colspan="4"></td> </tr> <tr> <td>XXX 5.75</td> <td>XXE 0.1</td> <td colspan="4"></td> </tr> <tr> <td>XXX 5.80</td> <td>XXE 0.1</td> <td colspan="4"></td> </tr> <tr> <td>XXX 5.85</td> <td>XXE 0.1</td> <td colspan="4"></td> </tr> <tr> <td>XXX 5.90</td> <td>XXE 0.1</td> <td colspan="4"></td> </tr> <tr> <td>XXX 5.95</td> <td>XXE 0.1</td> <td colspan="4"></td> </tr> <tr> <td>XXX 6.00</td> <td>XXE 0.1</td> <td colspan="4"></td> </tr> <tr> <td>XXX 6.05</td> <td>XXE 0.1</td> <td colspan="4"></td> </tr> <tr> <td>XXX 6.10</td> <td>XXE 0.1</td> <td colspan="4"></td> </tr> <tr> <td>XXX 6.15</td> <td>XXE 0.1</td> <td colspan="4"></td> </tr> <tr> <td>XXX 6.20</td> <td>XXE 0.1</td> <td colspan="4"></td> </tr> <tr> <td>XXX 6.25</td> <td>XXE 0.1</td> <td colspan="4"></td> </tr> <tr> <td>XXX 6.30</td> <td>XXE 0.1</td> <td colspan="4"></td> </tr> <tr> <td>XXX 6.35</td> <td>XXE 0.1</td> <td colspan="4"></td> </tr> <tr> <td>XXX 6.40</td> <td>XXE 0.1</td> <td colspan="4"></td> </tr> <tr> <td>XXX 6.45</td> <td>XXE 0.1</td> <td colspan="4"></td> </tr> <tr> <td>XXX 6.50</td> <td>XXE 0.1</td> <td colspan="4"></td> </tr> <tr> <td>XXX 6.55</td> <td>XXE 0.1</td> <td colspan="4"></td> </tr> <tr> <td>XXX 6.60</td> <td>XXE 0.1</td> <td colspan="4"></td> </tr> <tr> <td>XXX 6.65</td> <td>XXE 0.1</td> <td colspan="4"></td> </tr> <tr> <td>XXX 6.70</td> <td>XXE 0.1</td> <td colspan="4"></td> </tr> <tr> <td>XXX 6.75</td> <td>XXE 0.1</td> <td colspan="4"></td> </tr> <tr> <td>XXX 6.80</td> <td>XXE 0.1</td> <td colspan="4"></td> </tr> <tr> <td>XXX 6.85</td> <td>XXE 0.1</td> <td colspan="4"></td> </tr> <tr> <td>XXX 6.90</td> <td>XXE 0.1</td> <td colspan="4"></td> </tr> <tr> <td>XXX 6.95</td> <td>XXE 0.1</td> <td colspan="4"></td> </tr> <tr> <td>XXX 7.00</td> <td>XXE 0.1</td> <td colspan="4"></td> </tr> <tr> <td>XXX 7.05</td> <td>XXE 0.1</td> <td colspan="4"></td> </tr> <tr> <td>XXX 7.10</td> <td>XXE 0.1</td> <td colspan="4"></td> </tr> <tr> <td>XXX 7.15</td> <td>XXE 0.1</td> <td colspan="4"></td> </tr> <tr> <td>XXX 7.20</td> <td>XXE 0.1</td> <td colspan="4"></td> </tr> <tr> <td>XXX 7.25</td> <td>XXE 0.1</td> <td colspan="4"></td> </tr> <tr> <td>XXX 7.30</td> <td>XXE 0.1</td> <td colspan="4"></td> </tr> <tr> <td>XXX 7.35</td> <td>XXE 0.1</td> <td colspan="4"></td> </tr> <tr> <td>XXX 7.40</td> <td>XXE 0.1</td> <td colspan="4"></td> </tr> <tr> <td>XXX 7.45</td> <td>XXE 0.1</td> <td colspan="4"></td> </tr> <tr> <td>XXX 7.50</td> <td>XXE 0.1</td> <td colspan="4"></td> </tr> <tr> <td>XXX 7.55</td> <td>XXE 0.1</td> <td colspan="4"></td> </tr> <tr> <td>XXX 7.60</td> <td>XXE 0.1</td> <td colspan="4"></td> </tr> <tr> <td>XXX 7.65</td> <td>XXE 0.1</td> <td colspan="4"></td> </tr> <tr> <td>XXX 7.70</td> <td>XXE 0.1</td> <td colspan="4"></td> </tr> <tr> <td>XXX 7.75</td> <td>XXE 0.1</td> <td colspan="4"></td> </tr> <tr> <td>XXX 7.80</td> <td>XXE 0.1</td> <td colspan="4"></td> </tr> <tr> <td>XXX 7.85</td> <td>XXE 0.1</td> <td colspan="4"></td> </tr> <tr> <td>XXX 7.90</td> <td>XXE 0.1</td> <td colspan="4"></td> </tr> <tr> <td>XXX 7.95</td> <td>XXE 0.1</td> <td colspan="4"></td> </tr> <tr> <td>XXX 8.00</td> <td>XXE 0.1</td> <td colspan="4"></td> </tr> <tr> <td>XXX 8.05</td> <td>XXE 0.1</td> <td colspan="4"></td> </tr> <tr> <td>XXX 8.10</td> <td>XXE 0.1</td> <td colspan="4"></td> </tr> <tr> <td>XXX 8.15</td> <td>XXE 0.1</td> <td colspan="4"></td> </tr> <tr> <td>XXX 8.20</td> <td>XXE 0.1</td> <td colspan="4"></td> </tr> <tr> <td>XXX 8.25</td> <td>XXE 0.1</td> <td colspan="4"></td> </tr> <tr> <td>XXX 8.30</td> <td>XXE 0.1</td> <td colspan="4"></td> </tr> <tr> <td>XXX 8.35</td> <td>XXE 0.1</td> <td colspan="4"></td> </tr> <tr> <td>XXX 8.40</td> <td>XXE 0.1</td> <td colspan="4"></td> </tr> <tr> <td>XXX 8.45</td> <td>XXE 0.1</td> <td colspan="4"></td> </tr> <tr> <td>XXX 8.50</td> <td>XXE 0.1</td> <td colspan="4"></td> </tr> <tr> <td>XXX 8.55</td> <td>XXE 0.1</td> <td colspan="4"></td> </tr> <tr> <td>XXX 8.60</td> <td>XXE 0.1</td> <td colspan="4"></td> </tr> <tr> <td>XXX 8.65</td> <td>XXE 0.1</td> <td colspan="4"></td> </tr> <tr> <td>XXX 8.70</td> <td>XXE 0.1</td> <td colspan="4"></td> </tr> <tr> <td>XXX 8.75</td> <td>XXE 0.1</td> <td colspan="4"></td> </tr> <tr> <td>XXX 8.80</td> <td>XXE 0.1</td> <td colspan="4"></td> </tr> <tr> <td>XXX 8.85</td> <td>XXE 0.1</td> <td colspan="4"></td> </tr> <tr> <td>XXX 8.90</td> <td>XXE 0.1</td> <td colspan="4"></td> </tr> <tr> <td>XXX 8.95</td> <td>XXE 0.1</td> <td colspan="4"></td> </tr> <tr> <td>XXX 9.00</td> <td>XXE 0.1</td> <td colspan="4"></td> </tr> <tr> <td>XXX 9.05</td> <td>XXE 0.1</td> <td colspan="4"></td> </tr> <tr> <td>XXX 9.10</td> <td>XXE 0.1</td> <td colspan="4"></td> </tr> <tr> <td>XXX 9.15</td> <td>XXE 0.1</td> <td colspan="4"></td> </tr> <tr> <td>XXX 9.20</td> <td>XXE 0.1</td> <td colspan="4"></td> </tr> <tr> <td>XXX 9.25</td> <td>XXE 0.1</td> <td colspan="4"></td> </tr> <tr> <td>XXX 9.30</td> <td>XXE 0.1</td> <td colspan="4"></td> </tr> <tr> <td>XXX 9.35</td> <td>XXE 0.1</td> <td colspan="4"></td> </tr> <tr> <td>XXX 9.40</td> <td>XXE 0.1</td> <td colspan="4"></td> </tr> <tr> <td>XXX 9.45</td> <td>XXE 0.1</td> <td colspan="4"></td> </tr> <tr> <td>XXX 9.50</td> <td>XXE 0.1</td> <td colspan="4"></td> </tr> <tr> <td>XXX 9.55</td> <td>XXE 0.1</td> <td colspan="4"></td> </tr> <tr> <td>XXX 9.60</td> <td>XXE 0.1</td> <td colspan="4"></td> </tr> <tr> <td>XXX 9.65</td> <td>XXE 0.1</td> <td colspan="4"></td> </tr> <tr> <td>XXX 9.70</td> <td>XXE 0.1</td> <td colspan="4"></td> </tr> <tr> <td>XXX 9.75</td> <td>XXE 0.1</td> <td colspan="4"></td> </tr> <tr> <td>XXX 9.80</td> <td>XXE 0.1</td> <td colspan="4"></td> </tr> <tr> <td>XXX 9.85</td> <td>XXE 0.1</td> <td colspan="4"></td> </tr> <tr> <td>XXX 9.90</td> <td>XXE 0.1</td> <td colspan="4"></td> </tr> <tr> <td>XXX 9.95</td> <td>XXE 0.1</td> <td colspan="4"></td> </tr> <tr> <td>XXX 10.00</td> <td>XXE 0.1</td> <td colspan="4"></td> </tr> </table> </td> </tr> <tr> <td colspan="8" style="text-align: center;"> <table border="1" style="width: 100%; border-collapse: collapse;"> <tr> <td style="width: 20%;">TITLE</td> <td colspan="5">WEIGHTS YOKE</td> </tr> <tr> <td style="width: 20%;">DRAWN</td> <td colspan="5">V. LE BOFFE</td> </tr> <tr> <td style="width: 20%;">CHECKED</td> <td colspan="5">V. LE BOFFE</td> </tr> <tr> <td style="width: 20%;">DESIGNER</td> <td colspan="5">V. LE BOFFE</td> </tr> <tr> <td style="width: 20%;">DATE</td> <td colspan="5">04/09/2018</td> </tr> <tr> <td style="width: 20%;">APPROVALS</td> <td colspan="5"></td> </tr> <tr> <td colspan="6" style="text-align: center;"> <table border="1" style="width: 100%; border-collapse: collapse;"> <tr> <td style="width: 20%;">PART</td> <td style="width: 20%;">FINAL</td> <td style="width: 20%;">NEXT STEP 1</td> <td style="width: 20%;">NEXT STEP 2</td> <td style="width: 20%;">USED ON</td> <td style="width: 20%;">APPLICATION</td> </tr> <tr> <td style="text-align: center;">-1</td> <td style="text-align: center;">1</td> <td style="text-align: center;">1299307-1</td> <td style="text-align: center;">NEXT STEP 2</td> <td style="text-align: center;">USED ON</td> <td style="text-align: center;">APPLICATION</td> </tr> <tr> <td style="text-align: center;">PART DASH</td> <td style="text-align: center;">QTY RECD</td> <td style="text-align: center;">PER ASSY</td> <td colspan="3"></td> </tr> <tr> <td style="text-align: center;">NO.</td> <td style="text-align: center;">PER ASSY</td> <td colspan="4"></td> </tr> </table> </td> </tr> <tr> <td colspan="6" style="text-align: center;"> <table border="1" style="width: 100%; border-collapse: collapse;"> <tr> <td style="width: 20%;">SIZE</td> <td style="width: 20%;">CAGE CODE</td> <td style="width: 20%;">DWG. NO.</td> <td style="width: 20%;">REV.</td> <td style="width: 20%;">SCALE</td> <td style="width: 20%;">SHEET</td> </tr> <tr> <td style="text-align: center;">D</td> <td style="text-align: center;">25305</td> <td style="text-align: center;">1299321</td> <td style="text-align: center;">-</td> <td style="text-align: center;">1/1</td> <td style="text-align: center;">1 OF 1</td> </tr> </table> </td> </tr> </table> </td> </tr> </table>								GTY RECD	CAGE CODE	PART OR IDENTIFYING NO.	WEIGHTS YOKE	NOMENCLATURE	MATERIAL SPECIFICATION	1	-1	-1	S.S. 17-4 H 1025	1	1	PARTS LIST						<table border="1" style="width: 100%; border-collapse: collapse;"> <tr> <td colspan="2">UNLESS OTHERWISE SPECIFIED</td> <td colspan="4">CONTRACT NO.</td> </tr> <tr> <td>DECIMALS</td> <td>ANGULAR</td> <td colspan="4">NATIONAL AERONAUTICS &amp; SPACE ADMINISTRATION</td> </tr> <tr> <td>XXX 0.02</td> <td>XXE 0.1</td> <td colspan="4">LANGLEY RESEARCH CENTER</td> </tr> <tr> <td>XXX 0.05</td> <td>XXE 0.1</td> <td colspan="4">HAMPTON, VA 23681-0001</td> </tr> <tr> <td>XXX 0.10</td> <td>XXE 0.1</td> <td colspan="4"></td> </tr> <tr> <td>XXX 0.15</td> <td>XXE 0.1</td> <td colspan="4"></td> </tr> <tr> <td>XXX 0.20</td> <td>XXE 0.1</td> <td colspan="4"></td> </tr> <tr> <td>XXX 0.25</td> <td>XXE 0.1</td> <td colspan="4"></td> </tr> <tr> <td>XXX 0.30</td> <td>XXE 0.1</td> <td colspan="4"></td> </tr> <tr> <td>XXX 0.35</td> <td>XXE 0.1</td> <td colspan="4"></td> </tr> <tr> <td>XXX 0.40</td> <td>XXE 0.1</td> <td colspan="4"></td> </tr> <tr> <td>XXX 0.45</td> <td>XXE 0.1</td> <td colspan="4"></td> </tr> <tr> <td>XXX 0.50</td> <td>XXE 0.1</td> <td colspan="4"></td> </tr> <tr> <td>XXX 0.55</td> <td>XXE 0.1</td> <td colspan="4"></td> </tr> <tr> <td>XXX 0.60</td> <td>XXE 0.1</td> <td colspan="4"></td> </tr> <tr> <td>XXX 0.65</td> <td>XXE 0.1</td> <td colspan="4"></td> </tr> <tr> <td>XXX 0.70</td> <td>XXE 0.1</td> <td colspan="4"></td> </tr> <tr> <td>XXX 0.75</td> <td>XXE 0.1</td> <td colspan="4"></td> </tr> <tr> <td>XXX 0.80</td> <td>XXE 0.1</td> <td colspan="4"></td> </tr> <tr> <td>XXX 0.85</td> <td>XXE 0.1</td> <td colspan="4"></td> </tr> <tr> <td>XXX 0.90</td> <td>XXE 0.1</td> <td colspan="4"></td> </tr> <tr> <td>XXX 0.95</td> <td>XXE 0.1</td> <td colspan="4"></td> </tr> <tr> <td>XXX 1.00</td> <td>XXE 0.1</td> <td colspan="4"></td> </tr> <tr> <td>XXX 1.05</td> <td>XXE 0.1</td> <td colspan="4"></td> </tr> <tr> <td>XXX 1.10</td> <td>XXE 0.1</td> <td colspan="4"></td> </tr> <tr> <td>XXX 1.15</td> <td>XXE 0.1</td> <td colspan="4"></td> </tr> <tr> <td>XXX 1.20</td> <td>XXE 0.1</td> <td colspan="4"></td> </tr> <tr> <td>XXX 1.25</td> <td>XXE 0.1</td> <td colspan="4"></td> </tr> <tr> <td>XXX 1.30</td> <td>XXE 0.1</td> <td colspan="4"></td> </tr> <tr> <td>XXX 1.35</td> <td>XXE 0.1</td> <td colspan="4"></td> </tr> <tr> <td>XXX 1.40</td> <td>XXE 0.1</td> <td colspan="4"></td> </tr> <tr> <td>XXX 1.45</td> <td>XXE 0.1</td> <td colspan="4"></td> </tr> <tr> <td>XXX 1.50</td> <td>XXE 0.1</td> <td colspan="4"></td> </tr> <tr> <td>XXX 1.55</td> <td>XXE 0.1</td> <td colspan="4"></td> </tr> <tr> <td>XXX 1.60</td> <td>XXE 0.1</td> <td colspan="4"></td> </tr> <tr> <td>XXX 1.65</td> <td>XXE 0.1</td> <td colspan="4"></td> </tr> <tr> <td>XXX 1.70</td> <td>XXE 0.1</td> <td colspan="4"></td> </tr> <tr> <td>XXX 1.75</td> <td>XXE 0.1</td> <td colspan="4"></td> </tr> <tr> <td>XXX 1.80</td> <td>XXE 0.1</td> <td colspan="4"></td> </tr> <tr> <td>XXX 1.85</td> <td>XXE 0.1</td> <td colspan="4"></td> </tr> <tr> <td>XXX 1.90</td> <td>XXE 0.1</td> <td colspan="4"></td> </tr> <tr> <td>XXX 1.95</td> <td>XXE 0.1</td> <td colspan="4"></td> </tr> <tr> <td>XXX 2.00</td> <td>XXE 0.1</td> <td colspan="4"></td> </tr> <tr> <td>XXX 2.05</td> <td>XXE 0.1</td> <td colspan="4"></td> </tr> <tr> <td>XXX 2.10</td> <td>XXE 0.1</td> <td colspan="4"></td> </tr> <tr> <td>XXX 2.15</td> <td>XXE 0.1</td> <td colspan="4"></td> </tr> <tr> <td>XXX 2.20</td> <td>XXE 0.1</td> <td colspan="4"></td> </tr> <tr> <td>XXX 2.25</td> <td>XXE 0.1</td> <td colspan="4"></td> </tr> <tr> <td>XXX 2.30</td> <td>XXE 0.1</td> <td colspan="4"></td> </tr> <tr> <td>XXX 2.35</td> <td>XXE 0.1</td> <td colspan="4"></td> </tr> <tr> <td>XXX 2.40</td> <td>XXE 0.1</td> <td colspan="4"></td> </tr> <tr> <td>XXX 2.45</td> <td>XXE 0.1</td> <td colspan="4"></td> </tr> <tr> <td>XXX 2.50</td> <td>XXE 0.1</td> <td colspan="4"></td> </tr> <tr> <td>XXX 2.55</td> <td>XXE 0.1</td> <td colspan="4"></td> </tr> <tr> <td>XXX 2.60</td> <td>XXE 0.1</td> <td colspan="4"></td> </tr> <tr> <td>XXX 2.65</td> <td>XXE 0.1</td> <td colspan="4"></td> </tr> <tr> <td>XXX 2.70</td> <td>XXE 0.1</td> <td colspan="4"></td> </tr> <tr> <td>XXX 2.75</td> <td>XXE 0.1</td> <td colspan="4"></td> </tr> <tr> <td>XXX 2.80</td> <td>XXE 0.1</td> <td colspan="4"></td> </tr> <tr> <td>XXX 2.85</td> <td>XXE 0.1</td> <td colspan="4"></td> </tr> <tr> <td>XXX 2.90</td> <td>XXE 0.1</td> <td colspan="4"></td> </tr> <tr> <td>XXX 2.95</td> <td>XXE 0.1</td> <td colspan="4"></td> </tr> <tr> <td>XXX 3.00</td> <td>XXE 0.1</td> <td colspan="4"></td> </tr> <tr> <td>XXX 3.05</td> <td>XXE 0.1</td> <td colspan="4"></td> </tr> <tr> <td>XXX 3.10</td> <td>XXE 0.1</td> <td colspan="4"></td> </tr> <tr> <td>XXX 3.15</td> <td>XXE 0.1</td> <td colspan="4"></td> </tr> <tr> <td>XXX 3.20</td> <td>XXE 0.1</td> <td colspan="4"></td> </tr> <tr> <td>XXX 3.25</td> <td>XXE 0.1</td> <td colspan="4"></td> </tr> <tr> <td>XXX 3.30</td> <td>XXE 0.1</td> <td colspan="4"></td> </tr> <tr> <td>XXX 3.35</td> <td>XXE 0.1</td> <td colspan="4"></td> </tr> <tr> <td>XXX 3.40</td> <td>XXE 0.1</td> <td colspan="4"></td> </tr> <tr> <td>XXX 3.45</td> <td>XXE 0.1</td> <td colspan="4"></td> </tr> <tr> <td>XXX 3.50</td> <td>XXE 0.1</td> <td colspan="4"></td> </tr> <tr> <td>XXX 3.55</td> <td>XXE 0.1</td> <td colspan="4"></td> </tr> <tr> <td>XXX 3.60</td> <td>XXE 0.1</td> <td colspan="4"></td> </tr> <tr> <td>XXX 3.65</td> <td>XXE 0.1</td> <td colspan="4"></td> </tr> <tr> <td>XXX 3.70</td> <td>XXE 0.1</td> <td colspan="4"></td> </tr> <tr> <td>XXX 3.75</td> <td>XXE 0.1</td> <td colspan="4"></td> </tr> <tr> <td>XXX 3.80</td> <td>XXE 0.1</td> <td colspan="4"></td> </tr> <tr> <td>XXX 3.85</td> <td>XXE 0.1</td> <td colspan="4"></td> </tr> <tr> <td>XXX 3.90</td> <td>XXE 0.1</td> <td colspan="4"></td> </tr> <tr> <td>XXX 3.95</td> <td>XXE 0.1</td> <td colspan="4"></td> </tr> <tr> <td>XXX 4.00</td> <td>XXE 0.1</td> <td colspan="4"></td> </tr> <tr> <td>XXX 4.05</td> <td>XXE 0.1</td> <td colspan="4"></td> </tr> <tr> <td>XXX 4.10</td> <td>XXE 0.1</td> <td colspan="4"></td> </tr> <tr> <td>XXX 4.15</td> <td>XXE 0.1</td> <td colspan="4"></td> </tr> <tr> <td>XXX 4.20</td> <td>XXE 0.1</td> <td colspan="4"></td> </tr> <tr> <td>XXX 4.25</td> <td>XXE 0.1</td> <td colspan="4"></td> </tr> <tr> <td>XXX 4.30</td> <td>XXE 0.1</td> <td colspan="4"></td> </tr> <tr> <td>XXX 4.35</td> <td>XXE 0.1</td> <td colspan="4"></td> </tr> <tr> <td>XXX 4.40</td> <td>XXE 0.1</td> <td colspan="4"></td> </tr> <tr> <td>XXX 4.45</td> <td>XXE 0.1</td> <td colspan="4"></td> </tr> <tr> <td>XXX 4.50</td> <td>XXE 0.1</td> <td colspan="4"></td> </tr> <tr> <td>XXX 4.55</td> <td>XXE 0.1</td> <td colspan="4"></td> </tr> <tr> <td>XXX 4.60</td> <td>XXE 0.1</td> <td colspan="4"></td> </tr> <tr> <td>XXX 4.65</td> <td>XXE 0.1</td> <td colspan="4"></td> </tr> <tr> <td>XXX 4.70</td> <td>XXE 0.1</td> <td colspan="4"></td> </tr> <tr> <td>XXX 4.75</td> <td>XXE 0.1</td> <td colspan="4"></td> </tr> <tr> <td>XXX 4.80</td> <td>XXE 0.1</td> <td colspan="4"></td> </tr> <tr> <td>XXX 4.85</td> <td>XXE 0.1</td> <td colspan="4"></td> </tr> <tr> <td>XXX 4.90</td> <td>XXE 0.1</td> <td colspan="4"></td> </tr> <tr> <td>XXX 4.95</td> <td>XXE 0.1</td> <td colspan="4"></td> </tr> <tr> <td>XXX 5.00</td> <td>XXE 0.1</td> <td colspan="4"></td> </tr> <tr> <td>XXX 5.05</td> <td>XXE 0.1</td> <td colspan="4"></td> </tr> <tr> <td>XXX 5.10</td> <td>XXE 0.1</td> <td colspan="4"></td> </tr> <tr> <td>XXX 5.15</td> <td>XXE 0.1</td> <td colspan="4"></td> </tr> <tr> <td>XXX 5.20</td> <td>XXE 0.1</td> <td colspan="4"></td> </tr> <tr> <td>XXX 5.25</td> <td>XXE 0.1</td> <td colspan="4"></td> </tr> <tr> <td>XXX 5.30</td> <td>XXE 0.1</td> <td colspan="4"></td> </tr> <tr> <td>XXX 5.35</td> <td>XXE 0.1</td> <td colspan="4"></td> </tr> <tr> <td>XXX 5.40</td> <td>XXE 0.1</td> <td colspan="4"></td> </tr> <tr> <td>XXX 5.45</td> <td>XXE 0.1</td> <td colspan="4"></td> </tr> <tr> <td>XXX 5.50</td> <td>XXE 0.1</td> <td colspan="4"></td> </tr> <tr> <td>XXX 5.55</td> <td>XXE 0.1</td> <td colspan="4"></td> </tr> <tr> <td>XXX 5.60</td> <td>XXE 0.1</td> <td colspan="4"></td> </tr> <tr> <td>XXX 5.65</td> <td>XXE 0.1</td> <td colspan="4"></td> </tr> <tr> <td>XXX 5.70</td> <td>XXE 0.1</td> <td colspan="4"></td> </tr> <tr> <td>XXX 5.75</td> <td>XXE 0.1</td> <td colspan="4"></td> </tr> <tr> <td>XXX 5.80</td> <td>XXE 0.1</td> <td colspan="4"></td> </tr> <tr> <td>XXX 5.85</td> <td>XXE 0.1</td> <td colspan="4"></td> </tr> <tr> <td>XXX 5.90</td> <td>XXE 0.1</td> <td colspan="4"></td> </tr> <tr> <td>XXX 5.95</td> <td>XXE 0.1</td> <td colspan="4"></td> </tr> <tr> <td>XXX 6.00</td> <td>XXE 0.1</td> <td colspan="4"></td> </tr> <tr> <td>XXX 6.05</td> <td>XXE 0.1</td> <td colspan="4"></td> </tr> <tr> <td>XXX 6.10</td> <td>XXE 0.1</td> <td colspan="4"></td> </tr> <tr> <td>XXX 6.15</td> <td>XXE 0.1</td> <td colspan="4"></td> </tr> <tr> <td>XXX 6.20</td> <td>XXE 0.1</td> <td colspan="4"></td> </tr> <tr> <td>XXX 6.25</td> <td>XXE 0.1</td> <td colspan="4"></td> </tr> <tr> <td>XXX 6.30</td> <td>XXE 0.1</td> <td colspan="4"></td> </tr> <tr> <td>XXX 6.35</td> <td>XXE 0.1</td> <td colspan="4"></td> </tr> <tr> <td>XXX 6.40</td> <td>XXE 0.1</td> <td colspan="4"></td> </tr> <tr> <td>XXX 6.45</td> <td>XXE 0.1</td> <td colspan="4"></td> </tr> <tr> <td>XXX 6.50</td> <td>XXE 0.1</td> <td colspan="4"></td> </tr> <tr> <td>XXX 6.55</td> <td>XXE 0.1</td> <td colspan="4"></td> </tr> <tr> <td>XXX 6.60</td> <td>XXE 0.1</td> <td colspan="4"></td> </tr> <tr> <td>XXX 6.65</td> <td>XXE 0.1</td> <td colspan="4"></td> </tr> <tr> <td>XXX 6.70</td> <td>XXE 0.1</td> <td colspan="4"></td> </tr> <tr> <td>XXX 6.75</td> <td>XXE 0.1</td> <td colspan="4"></td> </tr> <tr> <td>XXX 6.80</td> <td>XXE 0.1</td> <td colspan="4"></td> </tr> <tr> <td>XXX 6.85</td> <td>XXE 0.1</td> <td colspan="4"></td> </tr> <tr> <td>XXX 6.90</td> <td>XXE 0.1</td> <td colspan="4"></td> </tr> <tr> <td>XXX 6.95</td> <td>XXE 0.1</td> <td colspan="4"></td> </tr> <tr> <td>XXX 7.00</td> <td>XXE 0.1</td> <td colspan="4"></td> </tr> <tr> <td>XXX 7.05</td> <td>XXE 0.1</td> <td colspan="4"></td> </tr> <tr> <td>XXX 7.10</td> <td>XXE 0.1</td> <td colspan="4"></td> </tr> <tr> <td>XXX 7.15</td> <td>XXE 0.1</td> <td colspan="4"></td> </tr> <tr> <td>XXX 7.20</td> <td>XXE 0.1</td> <td colspan="4"></td> </tr> <tr> <td>XXX 7.25</td> <td>XXE 0.1</td> <td colspan="4"></td> </tr> <tr> <td>XXX 7.30</td> <td>XXE 0.1</td> <td colspan="4"></td> </tr> <tr> <td>XXX 7.35</td> <td>XXE 0.1</td> <td colspan="4"></td> </tr> <tr> <td>XXX 7.40</td> <td>XXE 0.1</td> <td colspan="4"></td> </tr> <tr> <td>XXX 7.45</td> <td>XXE 0.1</td> <td colspan="4"></td> </tr> <tr> <td>XXX 7.50</td> <td>XXE 0.1</td> <td colspan="4"></td> </tr> <tr> <td>XXX 7.55</td> <td>XXE 0.1</td> <td colspan="4"></td> </tr> <tr> <td>XXX 7.60</td> <td>XXE 0.1</td> <td colspan="4"></td> </tr> <tr> <td>XXX 7.65</td> <td>XXE 0.1</td> <td colspan="4"></td> </tr> <tr> <td>XXX 7.70</td> <td>XXE 0.1</td> <td colspan="4"></td> </tr> <tr> <td>XXX 7.75</td> <td>XXE 0.1</td> <td colspan="4"></td> </tr> <tr> <td>XXX 7.80</td> <td>XXE 0.1</td> <td colspan="4"></td> </tr> <tr> <td>XXX 7.85</td> <td>XXE 0.1</td> <td colspan="4"></td> </tr> <tr> <td>XXX 7.90</td> <td>XXE 0.1</td> <td colspan="4"></td> </tr> <tr> <td>XXX 7.95</td> <td>XXE 0.1</td> <td colspan="4"></td> </tr> <tr> <td>XXX 8.00</td> <td>XXE 0.1</td> <td colspan="4"></td> </tr> <tr> <td>XXX 8.05</td> <td>XXE 0.1</td> <td colspan="4"></td> </tr> <tr> <td>XXX 8.10</td> <td>XXE 0.1</td> <td colspan="4"></td> </tr> <tr> <td>XXX 8.15</td> <td>XXE 0.1</td> <td colspan="4"></td> </tr> <tr> <td>XXX 8.20</td> <td>XXE 0.1</td> <td colspan="4"></td> </tr> <tr> <td>XXX 8.25</td> <td>XXE 0.1</td> <td colspan="4"></td> </tr> <tr> <td>XXX 8.30</td> <td>XXE 0.1</td> <td colspan="4"></td> </tr> <tr> <td>XXX 8.35</td> <td>XXE 0.1</td> <td colspan="4"></td> </tr> <tr> <td>XXX 8.40</td> <td>XXE 0.1</td> <td colspan="4"></td> </tr> <tr> <td>XXX 8.45</td> <td>XXE 0.1</td> <td colspan="4"></td> </tr> <tr> <td>XXX 8.50</td> <td>XXE 0.1</td> <td colspan="4"></td> </tr> <tr> <td>XXX 8.55</td> <td>XXE 0.1</td> <td colspan="4"></td> </tr> <tr> <td>XXX 8.60</td> <td>XXE 0.1</td> <td colspan="4"></td> </tr> <tr> <td>XXX 8.65</td> <td>XXE 0.1</td> <td colspan="4"></td> </tr> <tr> <td>XXX 8.70</td> <td>XXE 0.1</td> <td colspan="4"></td> </tr> <tr> <td>XXX 8.75</td> <td>XXE 0.1</td> <td colspan="4"></td> </tr> <tr> <td>XXX 8.80</td> <td>XXE 0.1</td> <td colspan="4"></td> </tr> <tr> <td>XXX 8.85</td> <td>XXE 0.1</td> <td colspan="4"></td> </tr> <tr> <td>XXX 8.90</td> <td>XXE 0.1</td> <td colspan="4"></td> </tr> <tr> <td>XXX 8.95</td> <td>XXE 0.1</td> <td colspan="4"></td> </tr> <tr> <td>XXX 9.00</td> <td>XXE 0.1</td> <td colspan="4"></td> </tr> <tr> <td>XXX 9.05</td> <td>XXE 0.1</td> <td colspan="4"></td> </tr> <tr> <td>XXX 9.10</td> <td>XXE 0.1</td> <td colspan="4"></td> </tr> <tr> <td>XXX 9.15</td> <td>XXE 0.1</td> <td colspan="4"></td> </tr> <tr> <td>XXX 9.20</td> <td>XXE 0.1</td> <td colspan="4"></td> </tr> <tr> <td>XXX 9.25</td> <td>XXE 0.1</td> <td colspan="4"></td> </tr> <tr> <td>XXX 9.30</td> <td>XXE 0.1</td> <td colspan="4"></td> </tr> <tr> <td>XXX 9.35</td> <td>XXE 0.1</td> <td colspan="4"></td> </tr> <tr> <td>XXX 9.40</td> <td>XXE 0.1</td> <td colspan="4"></td> </tr> <tr> <td>XXX 9.45</td> <td>XXE 0.1</td> <td colspan="4"></td> </tr> <tr> <td>XXX 9.50</td> <td>XXE 0.1</td> <td colspan="4"></td> </tr> <tr> <td>XXX 9.55</td> <td>XXE 0.1</td> <td colspan="4"></td> </tr> <tr> <td>XXX 9.60</td> <td>XXE 0.1</td> <td colspan="4"></td> </tr> <tr> <td>XXX 9.65</td> <td>XXE 0.1</td> <td colspan="4"></td> </tr> <tr> <td>XXX 9.70</td> <td>XXE 0.1</td> <td colspan="4"></td> </tr> <tr> <td>XXX 9.75</td> <td>XXE 0.1</td> <td colspan="4"></td> </tr> <tr> <td>XXX 9.80</td> <td>XXE 0.1</td> <td colspan="4"></td> </tr> <tr> <td>XXX 9.85</td> <td>XXE 0.1</td> <td colspan="4"></td> </tr> <tr> <td>XXX 9.90</td> <td>XXE 0.1</td> <td colspan="4"></td> </tr> <tr> <td>XXX 9.95</td> <td>XXE 0.1</td> <td colspan="4"></td> </tr> <tr> <td>XXX 10.00</td> <td>XXE 0.1</td> <td colspan="4"></td> </tr> </table>						UNLESS OTHERWISE SPECIFIED		CONTRACT NO.				DECIMALS	ANGULAR	NATIONAL AERONAUTICS & SPACE ADMINISTRATION				XXX 0.02	XXE 0.1	LANGLEY RESEARCH CENTER				XXX 0.05	XXE 0.1	HAMPTON, VA 23681-0001				XXX 0.10	XXE 0.1					XXX 0.15	XXE 0.1					XXX 0.20	XXE 0.1					XXX 0.25	XXE 0.1					XXX 0.30	XXE 0.1					XXX 0.35	XXE 0.1					XXX 0.40	XXE 0.1					XXX 0.45	XXE 0.1					XXX 0.50	XXE 0.1					XXX 0.55	XXE 0.1					XXX 0.60	XXE 0.1					XXX 0.65	XXE 0.1					XXX 0.70	XXE 0.1					XXX 0.75	XXE 0.1					XXX 0.80	XXE 0.1					XXX 0.85	XXE 0.1					XXX 0.90	XXE 0.1					XXX 0.95	XXE 0.1					XXX 1.00	XXE 0.1					XXX 1.05	XXE 0.1					XXX 1.10	XXE 0.1					XXX 1.15	XXE 0.1					XXX 1.20	XXE 0.1					XXX 1.25	XXE 0.1					XXX 1.30	XXE 0.1					XXX 1.35	XXE 0.1					XXX 1.40	XXE 0.1					XXX 1.45	XXE 0.1					XXX 1.50	XXE 0.1					XXX 1.55	XXE 0.1					XXX 1.60	XXE 0.1					XXX 1.65	XXE 0.1					XXX 1.70	XXE 0.1					XXX 1.75	XXE 0.1					XXX 1.80	XXE 0.1					XXX 1.85	XXE 0.1					XXX 1.90	XXE 0.1					XXX 1.95	XXE 0.1					XXX 2.00	XXE 0.1					XXX 2.05	XXE 0.1					XXX 2.10	XXE 0.1					XXX 2.15	XXE 0.1					XXX 2.20	XXE 0.1					XXX 2.25	XXE 0.1					XXX 2.30	XXE 0.1					XXX 2.35	XXE 0.1					XXX 2.40	XXE 0.1					XXX 2.45	XXE 0.1					XXX 2.50	XXE 0.1					XXX 2.55	XXE 0.1					XXX 2.60	XXE 0.1					XXX 2.65	XXE 0.1					XXX 2.70	XXE 0.1					XXX 2.75	XXE 0.1					XXX 2.80	XXE 0.1					XXX 2.85	XXE 0.1					XXX 2.90	XXE 0.1					XXX 2.95	XXE 0.1					XXX 3.00	XXE 0.1					XXX 3.05	XXE 0.1					XXX 3.10	XXE 0.1					XXX 3.15	XXE 0.1					XXX 3.20	XXE 0.1					XXX 3.25	XXE 0.1					XXX 3.30	XXE 0.1					XXX 3.35	XXE 0.1					XXX 3.40	XXE 0.1					XXX 3.45	XXE 0.1					XXX 3.50	XXE 0.1					XXX 3.55	XXE 0.1					XXX 3.60	XXE 0.1					XXX 3.65	XXE 0.1					XXX 3.70	XXE 0.1					XXX 3.75	XXE 0.1					XXX 3.80	XXE 0.1					XXX 3.85	XXE 0.1					XXX 3.90	XXE 0.1					XXX 3.95	XXE 0.1					XXX 4.00	XXE 0.1					XXX 4.05	XXE 0.1					XXX 4.10	XXE 0.1					XXX 4.15	XXE 0.1					XXX 4.20	XXE 0.1					XXX 4.25	XXE 0.1					XXX 4.30	XXE 0.1					XXX 4.35	XXE 0.1					XXX 4.40	XXE 0.1					XXX 4.45	XXE 0.1					XXX 4.50	XXE 0.1					XXX 4.55	XXE 0.1					XXX 4.60	XXE 0.1					XXX 4.65	XXE 0.1					XXX 4.70	XXE 0.1					XXX 4.75	XXE 0.1					XXX 4.80	XXE 0.1					XXX 4.85	XXE 0.1					XXX 4.90	XXE 0.1					XXX 4.95	XXE 0.1					XXX 5.00	XXE 0.1					XXX 5.05	XXE 0.1					XXX 5.10	XXE 0.1					XXX 5.15	XXE 0.1					XXX 5.20	XXE 0.1					XXX 5.25	XXE 0.1					XXX 5.30	XXE 0.1					XXX 5.35	XXE 0.1					XXX 5.40	XXE 0.1					XXX 5.45	XXE 0.1					XXX 5.50	XXE 0.1					XXX 5.55	XXE 0.1					XXX 5.60	XXE 0.1					XXX 5.65	XXE 0.1					XXX 5.70	XXE 0.1					XXX 5.75	XXE 0.1					XXX 5.80	XXE 0.1					XXX 5.85	XXE 0.1					XXX 5.90	XXE 0.1					XXX 5.95	XXE 0.1					XXX 6.00	XXE 0.1					XXX 6.05	XXE 0.1					XXX 6.10	XXE 0.1					XXX 6.15	XXE 0.1					XXX 6.20	XXE 0.1					XXX 6.25	XXE 0.1					XXX 6.30	XXE 0.1					XXX 6.35	XXE 0.1					XXX 6.40	XXE 0.1					XXX 6.45	XXE 0.1					XXX 6.50	XXE 0.1					XXX 6.55	XXE 0.1					XXX 6.60	XXE 0.1					XXX 6.65	XXE 0.1					XXX 6.70	XXE 0.1					XXX 6.75	XXE 0.1					XXX 6.80	XXE 0.1					XXX 6.85	XXE 0.1					XXX 6.90	XXE 0.1					XXX 6.95	XXE 0.1					XXX 7.00	XXE 0.1					XXX 7.05	XXE 0.1					XXX 7.10	XXE 0.1					XXX 7.15	XXE 0.1					XXX 7.20	XXE 0.1					XXX 7.25	XXE 0.1					XXX 7.30	XXE 0.1					XXX 7.35	XXE 0.1					XXX 7.40	XXE 0.1					XXX 7.45	XXE 0.1					XXX 7.50	XXE 0.1					XXX 7.55	XXE 0.1					XXX 7.60	XXE 0.1					XXX 7.65	XXE 0.1					XXX 7.70	XXE 0.1					XXX 7.75	XXE 0.1					XXX 7.80	XXE 0.1					XXX 7.85	XXE 0.1					XXX 7.90	XXE 0.1					XXX 7.95	XXE 0.1					XXX 8.00	XXE 0.1					XXX 8.05	XXE 0.1					XXX 8.10	XXE 0.1					XXX 8.15	XXE 0.1					XXX 8.20	XXE 0.1					XXX 8.25	XXE 0.1					XXX 8.30	XXE 0.1					XXX 8.35	XXE 0.1					XXX 8.40	XXE 0.1					XXX 8.45	XXE 0.1					XXX 8.50	XXE 0.1					XXX 8.55	XXE 0.1					XXX 8.60	XXE 0.1					XXX 8.65	XXE 0.1					XXX 8.70	XXE 0.1					XXX 8.75	XXE 0.1					XXX 8.80	XXE 0.1					XXX 8.85	XXE 0.1					XXX 8.90	XXE 0.1					XXX 8.95	XXE 0.1					XXX 9.00	XXE 0.1					XXX 9.05	XXE 0.1					XXX 9.10	XXE 0.1					XXX 9.15	XXE 0.1					XXX 9.20	XXE 0.1					XXX 9.25	XXE 0.1					XXX 9.30	XXE 0.1					XXX 9.35	XXE 0.1					XXX 9.40	XXE 0.1					XXX 9.45	XXE 0.1					XXX 9.50	XXE 0.1					XXX 9.55	XXE 0.1					XXX 9.60	XXE 0.1					XXX 9.65	XXE 0.1					XXX 9.70	XXE 0.1					XXX 9.75	XXE 0.1					XXX 9.80	XXE 0.1					XXX 9.85	XXE 0.1					XXX 9.90	XXE 0.1					XXX 9.95	XXE 0.1					XXX 10.00	XXE 0.1					<table border="1" style="width: 100%; border-collapse: collapse;"> <tr> <td style="width: 20%;">TITLE</td> <td colspan="5">WEIGHTS YOKE</td> </tr> <tr> <td style="width: 20%;">DRAWN</td> <td colspan="5">V. LE BOFFE</td> </tr> <tr> <td style="width: 20%;">CHECKED</td> <td colspan="5">V. LE BOFFE</td> </tr> <tr> <td style="width: 20%;">DESIGNER</td> <td colspan="5">V. LE BOFFE</td> </tr> <tr> <td style="width: 20%;">DATE</td> <td colspan="5">04/09/2018</td> </tr> <tr> <td style="width: 20%;">APPROVALS</td> <td colspan="5"></td> </tr> <tr> <td colspan="6" style="text-align: center;"> <table border="1" style="width: 100%; border-collapse: collapse;"> <tr> <td style="width: 20%;">PART</td> <td style="width: 20%;">FINAL</td> <td style="width: 20%;">NEXT STEP 1</td> <td style="width: 20%;">NEXT STEP 2</td> <td style="width: 20%;">USED ON</td> <td style="width: 20%;">APPLICATION</td> </tr> <tr> <td style="text-align: center;">-1</td> <td style="text-align: center;">1</td> <td style="text-align: center;">1299307-1</td> <td style="text-align: center;">NEXT STEP 2</td> <td style="text-align: center;">USED ON</td> <td style="text-align: center;">APPLICATION</td> </tr> <tr> <td style="text-align: center;">PART DASH</td> <td style="text-align: center;">QTY RECD</td> <td style="text-align: center;">PER ASSY</td> <td colspan="3"></td> </tr> <tr> <td style="text-align: center;">NO.</td> <td style="text-align: center;">PER ASSY</td> <td colspan="4"></td> </tr> </table> </td> </tr> <tr> <td colspan="6" style="text-align: center;"> <table border="1" style="width: 100%; border-collapse: collapse;"> <tr> <td style="width: 20%;">SIZE</td> <td style="width: 20%;">CAGE CODE</td> <td style="width: 20%;">DWG. NO.</td> <td style="width: 20%;">REV.</td> <td style="width: 20%;">SCALE</td> <td style="width: 20%;">SHEET</td> </tr> <tr> <td style="text-align: center;">D</td> <td style="text-align: center;">25305</td> <td style="text-align: center;">1299321</td> <td style="text-align: center;">-</td> <td style="text-align: center;">1/1</td> <td style="text-align: center;">1 OF 1</td> </tr> </table> </td> </tr> </table>								TITLE	WEIGHTS YOKE					DRAWN	V. LE BOFFE					CHECKED	V. LE BOFFE					DESIGNER	V. LE BOFFE					DATE	04/09/2018					APPROVALS						<table border="1" style="width: 100%; border-collapse: collapse;"> <tr> <td style="width: 20%;">PART</td> <td style="width: 20%;">FINAL</td> <td style="width: 20%;">NEXT STEP 1</td> <td style="width: 20%;">NEXT STEP 2</td> <td style="width: 20%;">USED ON</td> <td style="width: 20%;">APPLICATION</td> </tr> <tr> <td style="text-align: center;">-1</td> <td style="text-align: center;">1</td> <td style="text-align: center;">1299307-1</td> <td style="text-align: center;">NEXT STEP 2</td> <td style="text-align: center;">USED ON</td> <td style="text-align: center;">APPLICATION</td> </tr> <tr> <td style="text-align: center;">PART DASH</td> <td style="text-align: center;">QTY RECD</td> <td style="text-align: center;">PER ASSY</td> <td colspan="3"></td> </tr> <tr> <td style="text-align: center;">NO.</td> <td style="text-align: center;">PER ASSY</td> <td colspan="4"></td> </tr> </table>						PART	FINAL	NEXT STEP 1	NEXT STEP 2	USED ON	APPLICATION	-1	1	1299307-1	NEXT STEP 2	USED ON	APPLICATION	PART DASH	QTY RECD	PER ASSY				NO.	PER ASSY					<table border="1" style="width: 100%; border-collapse: collapse;"> <tr> <td style="width: 20%;">SIZE</td> <td style="width: 20%;">CAGE CODE</td> <td style="width: 20%;">DWG. NO.</td> <td style="width: 20%;">REV.</td> <td style="width: 20%;">SCALE</td> <td style="width: 20%;">SHEET</td> </tr> <tr> <td style="text-align: center;">D</td> <td style="text-align: center;">25305</td> <td style="text-align: center;">1299321</td> <td style="text-align: center;">-</td> <td style="text-align: center;">1/1</td> <td style="text-align: center;">1 OF 1</td> </tr> </table>						SIZE	CAGE CODE	DWG. NO.	REV.	SCALE	SHEET	D	25305	1299321	-	1/1	1 OF 1
GTY RECD	CAGE CODE	PART OR IDENTIFYING NO.	WEIGHTS YOKE	NOMENCLATURE	MATERIAL SPECIFICATION																																																																																																																																																																																																																																																																																																																																																																																																																																																																																																																																																																																																																																																																																																																																																																																																																																																																																																																																																																																																																																																																																																																																																																																																																																																																																																																																																																																								
1	-1	-1	S.S. 17-4 H 1025	1	1																																																																																																																																																																																																																																																																																																																																																																																																																																																																																																																																																																																																																																																																																																																																																																																																																																																																																																																																																																																																																																																																																																																																																																																																																																																																																																																																																																																								
PARTS LIST																																																																																																																																																																																																																																																																																																																																																																																																																																																																																																																																																																																																																																																																																																																																																																																																																																																																																																																																																																																																																																																																																																																																																																																																																																																																																																																																																																																													
<table border="1" style="width: 100%; border-collapse: collapse;"> <tr> <td colspan="2">UNLESS OTHERWISE SPECIFIED</td> <td colspan="4">CONTRACT NO.</td> </tr> <tr> <td>DECIMALS</td> <td>ANGULAR</td> <td colspan="4">NATIONAL AERONAUTICS &amp; SPACE ADMINISTRATION</td> </tr> <tr> <td>XXX 0.02</td> <td>XXE 0.1</td> <td colspan="4">LANGLEY RESEARCH CENTER</td> </tr> <tr> <td>XXX 0.05</td> <td>XXE 0.1</td> <td colspan="4">HAMPTON, VA 23681-0001</td> </tr> <tr> <td>XXX 0.10</td> <td>XXE 0.1</td> <td colspan="4"></td> </tr> <tr> <td>XXX 0.15</td> <td>XXE 0.1</td> <td colspan="4"></td> </tr> <tr> <td>XXX 0.20</td> <td>XXE 0.1</td> <td colspan="4"></td> </tr> <tr> <td>XXX 0.25</td> <td>XXE 0.1</td> <td colspan="4"></td> </tr> <tr> <td>XXX 0.30</td> <td>XXE 0.1</td> <td colspan="4"></td> </tr> <tr> <td>XXX 0.35</td> <td>XXE 0.1</td> <td colspan="4"></td> </tr> <tr> <td>XXX 0.40</td> <td>XXE 0.1</td> <td colspan="4"></td> </tr> <tr> <td>XXX 0.45</td> <td>XXE 0.1</td> <td colspan="4"></td> </tr> <tr> <td>XXX 0.50</td> <td>XXE 0.1</td> <td colspan="4"></td> </tr> <tr> <td>XXX 0.55</td> <td>XXE 0.1</td> <td colspan="4"></td> </tr> <tr> <td>XXX 0.60</td> <td>XXE 0.1</td> <td colspan="4"></td> </tr> <tr> <td>XXX 0.65</td> <td>XXE 0.1</td> <td colspan="4"></td> </tr> <tr> <td>XXX 0.70</td> <td>XXE 0.1</td> <td colspan="4"></td> </tr> <tr> <td>XXX 0.75</td> <td>XXE 0.1</td> <td colspan="4"></td> </tr> <tr> <td>XXX 0.80</td> <td>XXE 0.1</td> <td colspan="4"></td> </tr> <tr> <td>XXX 0.85</td> <td>XXE 0.1</td> <td colspan="4"></td> </tr> <tr> <td>XXX 0.90</td> <td>XXE 0.1</td> <td colspan="4"></td> </tr> <tr> <td>XXX 0.95</td> <td>XXE 0.1</td> <td colspan="4"></td> </tr> <tr> <td>XXX 1.00</td> <td>XXE 0.1</td> <td colspan="4"></td> </tr> <tr> <td>XXX 1.05</td> <td>XXE 0.1</td> <td colspan="4"></td> </tr> <tr> <td>XXX 1.10</td> <td>XXE 0.1</td> <td colspan="4"></td> </tr> <tr> <td>XXX 1.15</td> <td>XXE 0.1</td> <td colspan="4"></td> </tr> <tr> <td>XXX 1.20</td> <td>XXE 0.1</td> <td colspan="4"></td> </tr> <tr> <td>XXX 1.25</td> <td>XXE 0.1</td> <td colspan="4"></td> </tr> <tr> <td>XXX 1.30</td> <td>XXE 0.1</td> <td colspan="4"></td> </tr> <tr> <td>XXX 1.35</td> <td>XXE 0.1</td> <td colspan="4"></td> </tr> <tr> <td>XXX 1.40</td> <td>XXE 0.1</td> <td colspan="4"></td> </tr> <tr> <td>XXX 1.45</td> <td>XXE 0.1</td> <td colspan="4"></td> </tr> <tr> <td>XXX 1.50</td> <td>XXE 0.1</td> <td colspan="4"></td> </tr> <tr> <td>XXX 1.55</td> <td>XXE 0.1</td> <td colspan="4"></td> </tr> <tr> <td>XXX 1.60</td> <td>XXE 0.1</td> <td colspan="4"></td> </tr> <tr> <td>XXX 1.65</td> <td>XXE 0.1</td> <td colspan="4"></td> </tr> <tr> <td>XXX 1.70</td> <td>XXE 0.1</td> <td colspan="4"></td> </tr> <tr> <td>XXX 1.75</td> <td>XXE 0.1</td> <td colspan="4"></td> </tr> <tr> <td>XXX 1.80</td> <td>XXE 0.1</td> <td colspan="4"></td> </tr> <tr> <td>XXX 1.85</td> <td>XXE 0.1</td> <td colspan="4"></td> </tr> <tr> <td>XXX 1.90</td> <td>XXE 0.1</td> <td colspan="4"></td> </tr> <tr> <td>XXX 1.95</td> <td>XXE 0.1</td> <td colspan="4"></td> </tr> <tr> <td>XXX 2.00</td> <td>XXE 0.1</td> <td colspan="4"></td> </tr> <tr> <td>XXX 2.05</td> <td>XXE 0.1</td> <td colspan="4"></td> </tr> <tr> <td>XXX 2.10</td> <td>XXE 0.1</td> <td colspan="4"></td> </tr> <tr> <td>XXX 2.15</td> <td>XXE 0.1</td> <td colspan="4"></td> </tr> <tr> <td>XXX 2.20</td> <td>XXE 0.1</td> <td colspan="4"></td> </tr> <tr> <td>XXX 2.25</td> <td>XXE 0.1</td> <td colspan="4"></td> </tr> <tr> <td>XXX 2.30</td> <td>XXE 0.1</td> <td colspan="4"></td> </tr> <tr> <td>XXX 2.35</td> <td>XXE 0.1</td> <td colspan="4"></td> </tr> <tr> <td>XXX 2.40</td> <td>XXE 0.1</td> <td colspan="4"></td> </tr> <tr> <td>XXX 2.45</td> <td>XXE 0.1</td> <td colspan="4"></td> </tr> <tr> <td>XXX 2.50</td> <td>XXE 0.1</td> <td colspan="4"></td> </tr> <tr> <td>XXX 2.55</td> <td>XXE 0.1</td> <td colspan="4"></td> </tr> <tr> <td>XXX 2.60</td> <td>XXE 0.1</td> <td colspan="4"></td> </tr> <tr> <td>XXX 2.65</td> <td>XXE 0.1</td> <td colspan="4"></td> </tr> <tr> <td>XXX 2.70</td> <td>XXE 0.1</td> <td colspan="4"></td> </tr> <tr> <td>XXX 2.75</td> <td>XXE 0.1</td> <td colspan="4"></td> </tr> <tr> <td>XXX 2.80</td> <td>XXE 0.1</td> <td colspan="4"></td> </tr> <tr> <td>XXX 2.85</td> <td>XXE 0.1</td> <td colspan="4"></td> </tr> <tr> <td>XXX 2.90</td> <td>XXE 0.1</td> <td colspan="4"></td> </tr> <tr> <td>XXX 2.95</td> <td>XXE 0.1</td> <td colspan="4"></td> </tr> <tr> <td>XXX 3.00</td> <td>XXE 0.1</td> <td colspan="4"></td> </tr> <tr> <td>XXX 3.05</td> <td>XXE 0.1</td> <td colspan="4"></td> </tr> <tr> <td>XXX 3.10</td> <td>XXE 0.1</td> <td colspan="4"></td> </tr> <tr> <td>XXX 3.15</td> <td>XXE 0.1</td> <td colspan="4"></td> </tr> <tr> <td>XXX 3.20</td> <td>XXE 0.1</td> <td colspan="4"></td> </tr> <tr> <td>XXX 3.25</td> <td>XXE 0.1</td> <td colspan="4"></td> </tr> <tr> <td>XXX 3.30</td> <td>XXE 0.1</td> <td colspan="4"></td> </tr> <tr> <td>XXX 3.35</td> <td>XXE 0.1</td> <td colspan="4"></td> </tr> <tr> <td>XXX 3.40</td> <td>XXE 0.1</td> <td colspan="4"></td> </tr> <tr> <td>XXX 3.45</td> <td>XXE 0.1</td> <td colspan="4"></td> </tr> <tr> <td>XXX 3.50</td> <td>XXE 0.1</td> <td colspan="4"></td> </tr> <tr> <td>XXX 3.55</td> <td>XXE 0.1</td> <td colspan="4"></td> </tr> <tr> <td>XXX 3.60</td> <td>XXE 0.1</td> <td colspan="4"></td> </tr> <tr> <td>XXX 3.65</td> <td>XXE 0.1</td> <td colspan="4"></td> </tr> <tr> <td>XXX 3.70</td> <td>XXE 0.1</td> <td colspan="4"></td> </tr> <tr> <td>XXX 3.75</td> <td>XXE 0.1</td> <td colspan="4"></td> </tr> <tr> <td>XXX 3.80</td> <td>XXE 0.1</td> <td colspan="4"></td> </tr> <tr> <td>XXX 3.85</td> <td>XXE 0.1</td> <td colspan="4"></td> </tr> <tr> <td>XXX 3.90</td> <td>XXE 0.1</td> <td colspan="4"></td> </tr> <tr> <td>XXX 3.95</td> <td>XXE 0.1</td> <td colspan="4"></td> </tr> <tr> <td>XXX 4.00</td> <td>XXE 0.1</td> <td colspan="4"></td> </tr> <tr> <td>XXX 4.05</td> <td>XXE 0.1</td> <td colspan="4"></td> </tr> <tr> <td>XXX 4.10</td> <td>XXE 0.1</td> <td colspan="4"></td> </tr> <tr> <td>XXX 4.15</td> <td>XXE 0.1</td> <td colspan="4"></td> </tr> <tr> <td>XXX 4.20</td> <td>XXE 0.1</td> <td colspan="4"></td> </tr> <tr> <td>XXX 4.25</td> <td>XXE 0.1</td> <td colspan="4"></td> </tr> <tr> <td>XXX 4.30</td> <td>XXE 0.1</td> <td colspan="4"></td> </tr> <tr> <td>XXX 4.35</td> <td>XXE 0.1</td> <td colspan="4"></td> </tr> <tr> <td>XXX 4.40</td> <td>XXE 0.1</td> <td colspan="4"></td> </tr> <tr> <td>XXX 4.45</td> <td>XXE 0.1</td> <td colspan="4"></td> </tr> <tr> <td>XXX 4.50</td> <td>XXE 0.1</td> <td colspan="4"></td> </tr> <tr> <td>XXX 4.55</td> <td>XXE 0.1</td> <td colspan="4"></td> </tr> <tr> <td>XXX 4.60</td> <td>XXE 0.1</td> <td colspan="4"></td> </tr> <tr> <td>XXX 4.65</td> <td>XXE 0.1</td> <td colspan="4"></td> </tr> <tr> <td>XXX 4.70</td> <td>XXE 0.1</td> <td colspan="4"></td> </tr> <tr> <td>XXX 4.75</td> <td>XXE 0.1</td> <td colspan="4"></td> </tr> <tr> <td>XXX 4.80</td> <td>XXE 0.1</td> <td colspan="4"></td> </tr> <tr> <td>XXX 4.85</td> <td>XXE 0.1</td> <td colspan="4"></td> </tr> <tr> <td>XXX 4.90</td> <td>XXE 0.1</td> <td colspan="4"></td> </tr> <tr> <td>XXX 4.95</td> <td>XXE 0.1</td> <td colspan="4"></td> </tr> <tr> <td>XXX 5.00</td> <td>XXE 0.1</td> <td colspan="4"></td> </tr> <tr> <td>XXX 5.05</td> <td>XXE 0.1</td> <td colspan="4"></td> </tr> <tr> <td>XXX 5.10</td> <td>XXE 0.1</td> <td colspan="4"></td> </tr> <tr> <td>XXX 5.15</td> <td>XXE 0.1</td> <td colspan="4"></td> </tr> <tr> <td>XXX 5.20</td> <td>XXE 0.1</td> <td colspan="4"></td> </tr> <tr> <td>XXX 5.25</td> <td>XXE 0.1</td> <td colspan="4"></td> </tr> <tr> <td>XXX 5.30</td> <td>XXE 0.1</td> <td colspan="4"></td> </tr> <tr> <td>XXX 5.35</td> <td>XXE 0.1</td> <td colspan="4"></td> </tr> <tr> <td>XXX 5.40</td> <td>XXE 0.1</td> <td colspan="4"></td> </tr> <tr> <td>XXX 5.45</td> <td>XXE 0.1</td> <td colspan="4"></td> </tr> <tr> <td>XXX 5.50</td> <td>XXE 0.1</td> <td colspan="4"></td> </tr> <tr> <td>XXX 5.55</td> <td>XXE 0.1</td> <td colspan="4"></td> </tr> <tr> <td>XXX 5.60</td> <td>XXE 0.1</td> <td colspan="4"></td> </tr> <tr> <td>XXX 5.65</td> <td>XXE 0.1</td> <td colspan="4"></td> </tr> <tr> <td>XXX 5.70</td> <td>XXE 0.1</td> <td colspan="4"></td> </tr> <tr> <td>XXX 5.75</td> <td>XXE 0.1</td> <td colspan="4"></td> </tr> <tr> <td>XXX 5.80</td> <td>XXE 0.1</td> <td colspan="4"></td> </tr> <tr> <td>XXX 5.85</td> <td>XXE 0.1</td> <td colspan="4"></td> </tr> <tr> <td>XXX 5.90</td> <td>XXE 0.1</td> <td colspan="4"></td> </tr> <tr> <td>XXX 5.95</td> <td>XXE 0.1</td> <td colspan="4"></td> </tr> <tr> <td>XXX 6.00</td> <td>XXE 0.1</td> <td colspan="4"></td> </tr> <tr> <td>XXX 6.05</td> <td>XXE 0.1</td> <td colspan="4"></td> </tr> <tr> <td>XXX 6.10</td> <td>XXE 0.1</td> <td colspan="4"></td> </tr> <tr> <td>XXX 6.15</td> <td>XXE 0.1</td> <td colspan="4"></td> </tr> <tr> <td>XXX 6.20</td> <td>XXE 0.1</td> <td colspan="4"></td> </tr> <tr> <td>XXX 6.25</td> <td>XXE 0.1</td> <td colspan="4"></td> </tr> <tr> <td>XXX 6.30</td> <td>XXE 0.1</td> <td colspan="4"></td> </tr> <tr> <td>XXX 6.35</td> <td>XXE 0.1</td> <td colspan="4"></td> </tr> <tr> <td>XXX 6.40</td> <td>XXE 0.1</td> <td colspan="4"></td> </tr> <tr> <td>XXX 6.45</td> <td>XXE 0.1</td> <td colspan="4"></td> </tr> <tr> <td>XXX 6.50</td> <td>XXE 0.1</td> <td colspan="4"></td> </tr> <tr> <td>XXX 6.55</td> <td>XXE 0.1</td> <td colspan="4"></td> </tr> <tr> <td>XXX 6.60</td> <td>XXE 0.1</td> <td colspan="4"></td> </tr> <tr> <td>XXX 6.65</td> <td>XXE 0.1</td> <td colspan="4"></td> </tr> <tr> <td>XXX 6.70</td> <td>XXE 0.1</td> <td colspan="4"></td> </tr> <tr> <td>XXX 6.75</td> <td>XXE 0.1</td> <td colspan="4"></td> </tr> <tr> <td>XXX 6.80</td> <td>XXE 0.1</td> <td colspan="4"></td> </tr> <tr> <td>XXX 6.85</td> <td>XXE 0.1</td> <td colspan="4"></td> </tr> <tr> <td>XXX 6.90</td> <td>XXE 0.1</td> <td colspan="4"></td> </tr> <tr> <td>XXX 6.95</td> <td>XXE 0.1</td> <td colspan="4"></td> </tr> <tr> <td>XXX 7.00</td> <td>XXE 0.1</td> <td colspan="4"></td> </tr> <tr> <td>XXX 7.05</td> <td>XXE 0.1</td> <td colspan="4"></td> </tr> <tr> <td>XXX 7.10</td> <td>XXE 0.1</td> <td colspan="4"></td> </tr> <tr> <td>XXX 7.15</td> <td>XXE 0.1</td> <td colspan="4"></td> </tr> <tr> <td>XXX 7.20</td> <td>XXE 0.1</td> <td colspan="4"></td> </tr> <tr> <td>XXX 7.25</td> <td>XXE 0.1</td> <td colspan="4"></td> </tr> <tr> <td>XXX 7.30</td> <td>XXE 0.1</td> <td colspan="4"></td> </tr> <tr> <td>XXX 7.35</td> <td>XXE 0.1</td> <td colspan="4"></td> </tr> <tr> <td>XXX 7.40</td> <td>XXE 0.1</td> <td colspan="4"></td> </tr> <tr> <td>XXX 7.45</td> <td>XXE 0.1</td> <td colspan="4"></td> </tr> <tr> <td>XXX 7.50</td> <td>XXE 0.1</td> <td colspan="4"></td> </tr> <tr> <td>XXX 7.55</td> <td>XXE 0.1</td> <td colspan="4"></td> </tr> <tr> <td>XXX 7.60</td> <td>XXE 0.1</td> <td colspan="4"></td> </tr> <tr> <td>XXX 7.65</td> <td>XXE 0.1</td> <td colspan="4"></td> </tr> <tr> <td>XXX 7.70</td> <td>XXE 0.1</td> <td colspan="4"></td> </tr> <tr> <td>XXX 7.75</td> <td>XXE 0.1</td> <td colspan="4"></td> </tr> <tr> <td>XXX 7.80</td> <td>XXE 0.1</td> <td colspan="4"></td> </tr> <tr> <td>XXX 7.85</td> <td>XXE 0.1</td> <td colspan="4"></td> </tr> <tr> <td>XXX 7.90</td> <td>XXE 0.1</td> <td colspan="4"></td> </tr> <tr> <td>XXX 7.95</td> <td>XXE 0.1</td> <td colspan="4"></td> </tr> <tr> <td>XXX 8.00</td> <td>XXE 0.1</td> <td colspan="4"></td> </tr> <tr> <td>XXX 8.05</td> <td>XXE 0.1</td> <td colspan="4"></td> </tr> <tr> <td>XXX 8.10</td> <td>XXE 0.1</td> <td colspan="4"></td> </tr> <tr> <td>XXX 8.15</td> <td>XXE 0.1</td> <td colspan="4"></td> </tr> <tr> <td>XXX 8.20</td> <td>XXE 0.1</td> <td colspan="4"></td> </tr> <tr> <td>XXX 8.25</td> <td>XXE 0.1</td> <td colspan="4"></td> </tr> <tr> <td>XXX 8.30</td> <td>XXE 0.1</td> <td colspan="4"></td> </tr> <tr> <td>XXX 8.35</td> <td>XXE 0.1</td> <td colspan="4"></td> </tr> <tr> <td>XXX 8.40</td> <td>XXE 0.1</td> <td colspan="4"></td> </tr> <tr> <td>XXX 8.45</td> <td>XXE 0.1</td> <td colspan="4"></td> </tr> <tr> <td>XXX 8.50</td> <td>XXE 0.1</td> <td colspan="4"></td> </tr> <tr> <td>XXX 8.55</td> <td>XXE 0.1</td> <td colspan="4"></td> </tr> <tr> <td>XXX 8.60</td> <td>XXE 0.1</td> <td colspan="4"></td> </tr> <tr> <td>XXX 8.65</td> <td>XXE 0.1</td> <td colspan="4"></td> </tr> <tr> <td>XXX 8.70</td> <td>XXE 0.1</td> <td colspan="4"></td> </tr> <tr> <td>XXX 8.75</td> <td>XXE 0.1</td> <td colspan="4"></td> </tr> <tr> <td>XXX 8.80</td> <td>XXE 0.1</td> <td colspan="4"></td> </tr> <tr> <td>XXX 8.85</td> <td>XXE 0.1</td> <td colspan="4"></td> </tr> <tr> <td>XXX 8.90</td> <td>XXE 0.1</td> <td colspan="4"></td> </tr> <tr> <td>XXX 8.95</td> <td>XXE 0.1</td> <td colspan="4"></td> </tr> <tr> <td>XXX 9.00</td> <td>XXE 0.1</td> <td colspan="4"></td> </tr> <tr> <td>XXX 9.05</td> <td>XXE 0.1</td> <td colspan="4"></td> </tr> <tr> <td>XXX 9.10</td> <td>XXE 0.1</td> <td colspan="4"></td> </tr> <tr> <td>XXX 9.15</td> <td>XXE 0.1</td> <td colspan="4"></td> </tr> <tr> <td>XXX 9.20</td> <td>XXE 0.1</td> <td colspan="4"></td> </tr> <tr> <td>XXX 9.25</td> <td>XXE 0.1</td> <td colspan="4"></td> </tr> <tr> <td>XXX 9.30</td> <td>XXE 0.1</td> <td colspan="4"></td> </tr> <tr> <td>XXX 9.35</td> <td>XXE 0.1</td> <td colspan="4"></td> </tr> <tr> <td>XXX 9.40</td> <td>XXE 0.1</td> <td colspan="4"></td> </tr> <tr> <td>XXX 9.45</td> <td>XXE 0.1</td> <td colspan="4"></td> </tr> <tr> <td>XXX 9.50</td> <td>XXE 0.1</td> <td colspan="4"></td> </tr> <tr> <td>XXX 9.55</td> <td>XXE 0.1</td> <td colspan="4"></td> </tr> <tr> <td>XXX 9.60</td> <td>XXE 0.1</td> <td colspan="4"></td> </tr> <tr> <td>XXX 9.65</td> <td>XXE 0.1</td> <td colspan="4"></td> </tr> <tr> <td>XXX 9.70</td> <td>XXE 0.1</td> <td colspan="4"></td> </tr> <tr> <td>XXX 9.75</td> <td>XXE 0.1</td> <td colspan="4"></td> </tr> <tr> <td>XXX 9.80</td> <td>XXE 0.1</td> <td colspan="4"></td> </tr> <tr> <td>XXX 9.85</td> <td>XXE 0.1</td> <td colspan="4"></td> </tr> <tr> <td>XXX 9.90</td> <td>XXE 0.1</td> <td colspan="4"></td> </tr> <tr> <td>XXX 9.95</td> <td>XXE 0.1</td> <td colspan="4"></td> </tr> <tr> <td>XXX 10.00</td> <td>XXE 0.1</td> <td colspan="4"></td> </tr> </table>						UNLESS OTHERWISE SPECIFIED		CONTRACT NO.				DECIMALS	ANGULAR	NATIONAL AERONAUTICS & SPACE ADMINISTRATION				XXX 0.02	XXE 0.1	LANGLEY RESEARCH CENTER				XXX 0.05	XXE 0.1	HAMPTON, VA 23681-0001				XXX 0.10	XXE 0.1					XXX 0.15	XXE 0.1					XXX 0.20	XXE 0.1					XXX 0.25	XXE 0.1					XXX 0.30	XXE 0.1					XXX 0.35	XXE 0.1					XXX 0.40	XXE 0.1					XXX 0.45	XXE 0.1					XXX 0.50	XXE 0.1					XXX 0.55	XXE 0.1					XXX 0.60	XXE 0.1					XXX 0.65	XXE 0.1					XXX 0.70	XXE 0.1					XXX 0.75	XXE 0.1					XXX 0.80	XXE 0.1					XXX 0.85	XXE 0.1					XXX 0.90	XXE 0.1					XXX 0.95	XXE 0.1					XXX 1.00	XXE 0.1					XXX 1.05	XXE 0.1					XXX 1.10	XXE 0.1					XXX 1.15	XXE 0.1					XXX 1.20	XXE 0.1					XXX 1.25	XXE 0.1					XXX 1.30	XXE 0.1					XXX 1.35	XXE 0.1					XXX 1.40	XXE 0.1					XXX 1.45	XXE 0.1					XXX 1.50	XXE 0.1					XXX 1.55	XXE 0.1					XXX 1.60	XXE 0.1					XXX 1.65	XXE 0.1					XXX 1.70	XXE 0.1					XXX 1.75	XXE 0.1					XXX 1.80	XXE 0.1					XXX 1.85	XXE 0.1					XXX 1.90	XXE 0.1					XXX 1.95	XXE 0.1					XXX 2.00	XXE 0.1					XXX 2.05	XXE 0.1					XXX 2.10	XXE 0.1					XXX 2.15	XXE 0.1					XXX 2.20	XXE 0.1					XXX 2.25	XXE 0.1					XXX 2.30	XXE 0.1					XXX 2.35	XXE 0.1					XXX 2.40	XXE 0.1					XXX 2.45	XXE 0.1					XXX 2.50	XXE 0.1					XXX 2.55	XXE 0.1					XXX 2.60	XXE 0.1					XXX 2.65	XXE 0.1					XXX 2.70	XXE 0.1					XXX 2.75	XXE 0.1					XXX 2.80	XXE 0.1					XXX 2.85	XXE 0.1					XXX 2.90	XXE 0.1					XXX 2.95	XXE 0.1					XXX 3.00	XXE 0.1					XXX 3.05	XXE 0.1					XXX 3.10	XXE 0.1					XXX 3.15	XXE 0.1					XXX 3.20	XXE 0.1					XXX 3.25	XXE 0.1					XXX 3.30	XXE 0.1					XXX 3.35	XXE 0.1					XXX 3.40	XXE 0.1					XXX 3.45	XXE 0.1					XXX 3.50	XXE 0.1					XXX 3.55	XXE 0.1					XXX 3.60	XXE 0.1					XXX 3.65	XXE 0.1					XXX 3.70	XXE 0.1					XXX 3.75	XXE 0.1					XXX 3.80	XXE 0.1					XXX 3.85	XXE 0.1					XXX 3.90	XXE 0.1					XXX 3.95	XXE 0.1					XXX 4.00	XXE 0.1					XXX 4.05	XXE 0.1					XXX 4.10	XXE 0.1					XXX 4.15	XXE 0.1					XXX 4.20	XXE 0.1					XXX 4.25	XXE 0.1					XXX 4.30	XXE 0.1					XXX 4.35	XXE 0.1					XXX 4.40	XXE 0.1					XXX 4.45	XXE 0.1					XXX 4.50	XXE 0.1					XXX 4.55	XXE 0.1					XXX 4.60	XXE 0.1					XXX 4.65	XXE 0.1					XXX 4.70	XXE 0.1					XXX 4.75	XXE 0.1					XXX 4.80	XXE 0.1					XXX 4.85	XXE 0.1					XXX 4.90	XXE 0.1					XXX 4.95	XXE 0.1					XXX 5.00	XXE 0.1					XXX 5.05	XXE 0.1					XXX 5.10	XXE 0.1					XXX 5.15	XXE 0.1					XXX 5.20	XXE 0.1					XXX 5.25	XXE 0.1					XXX 5.30	XXE 0.1					XXX 5.35	XXE 0.1					XXX 5.40	XXE 0.1					XXX 5.45	XXE 0.1					XXX 5.50	XXE 0.1					XXX 5.55	XXE 0.1					XXX 5.60	XXE 0.1					XXX 5.65	XXE 0.1					XXX 5.70	XXE 0.1					XXX 5.75	XXE 0.1					XXX 5.80	XXE 0.1					XXX 5.85	XXE 0.1					XXX 5.90	XXE 0.1					XXX 5.95	XXE 0.1					XXX 6.00	XXE 0.1					XXX 6.05	XXE 0.1					XXX 6.10	XXE 0.1					XXX 6.15	XXE 0.1					XXX 6.20	XXE 0.1					XXX 6.25	XXE 0.1					XXX 6.30	XXE 0.1					XXX 6.35	XXE 0.1					XXX 6.40	XXE 0.1					XXX 6.45	XXE 0.1					XXX 6.50	XXE 0.1					XXX 6.55	XXE 0.1					XXX 6.60	XXE 0.1					XXX 6.65	XXE 0.1					XXX 6.70	XXE 0.1					XXX 6.75	XXE 0.1					XXX 6.80	XXE 0.1					XXX 6.85	XXE 0.1					XXX 6.90	XXE 0.1					XXX 6.95	XXE 0.1					XXX 7.00	XXE 0.1					XXX 7.05	XXE 0.1					XXX 7.10	XXE 0.1					XXX 7.15	XXE 0.1					XXX 7.20	XXE 0.1					XXX 7.25	XXE 0.1					XXX 7.30	XXE 0.1					XXX 7.35	XXE 0.1					XXX 7.40	XXE 0.1					XXX 7.45	XXE 0.1					XXX 7.50	XXE 0.1					XXX 7.55	XXE 0.1					XXX 7.60	XXE 0.1					XXX 7.65	XXE 0.1					XXX 7.70	XXE 0.1					XXX 7.75	XXE 0.1					XXX 7.80	XXE 0.1					XXX 7.85	XXE 0.1					XXX 7.90	XXE 0.1					XXX 7.95	XXE 0.1					XXX 8.00	XXE 0.1					XXX 8.05	XXE 0.1					XXX 8.10	XXE 0.1					XXX 8.15	XXE 0.1					XXX 8.20	XXE 0.1					XXX 8.25	XXE 0.1					XXX 8.30	XXE 0.1					XXX 8.35	XXE 0.1					XXX 8.40	XXE 0.1					XXX 8.45	XXE 0.1					XXX 8.50	XXE 0.1					XXX 8.55	XXE 0.1					XXX 8.60	XXE 0.1					XXX 8.65	XXE 0.1					XXX 8.70	XXE 0.1					XXX 8.75	XXE 0.1					XXX 8.80	XXE 0.1					XXX 8.85	XXE 0.1					XXX 8.90	XXE 0.1					XXX 8.95	XXE 0.1					XXX 9.00	XXE 0.1					XXX 9.05	XXE 0.1					XXX 9.10	XXE 0.1					XXX 9.15	XXE 0.1					XXX 9.20	XXE 0.1					XXX 9.25	XXE 0.1					XXX 9.30	XXE 0.1					XXX 9.35	XXE 0.1					XXX 9.40	XXE 0.1					XXX 9.45	XXE 0.1					XXX 9.50	XXE 0.1					XXX 9.55	XXE 0.1					XXX 9.60	XXE 0.1					XXX 9.65	XXE 0.1					XXX 9.70	XXE 0.1					XXX 9.75	XXE 0.1					XXX 9.80	XXE 0.1					XXX 9.85	XXE 0.1					XXX 9.90	XXE 0.1					XXX 9.95	XXE 0.1					XXX 10.00	XXE 0.1																																																																																																																										
UNLESS OTHERWISE SPECIFIED		CONTRACT NO.																																																																																																																																																																																																																																																																																																																																																																																																																																																																																																																																																																																																																																																																																																																																																																																																																																																																																																																																																																																																																																																																																																																																																																																																																																																																																																																																																																																											
DECIMALS	ANGULAR	NATIONAL AERONAUTICS & SPACE ADMINISTRATION																																																																																																																																																																																																																																																																																																																																																																																																																																																																																																																																																																																																																																																																																																																																																																																																																																																																																																																																																																																																																																																																																																																																																																																																																																																																																																																																																																																											
XXX 0.02	XXE 0.1	LANGLEY RESEARCH CENTER																																																																																																																																																																																																																																																																																																																																																																																																																																																																																																																																																																																																																																																																																																																																																																																																																																																																																																																																																																																																																																																																																																																																																																																																																																																																																																																																																																																											
XXX 0.05	XXE 0.1	HAMPTON, VA 23681-0001																																																																																																																																																																																																																																																																																																																																																																																																																																																																																																																																																																																																																																																																																																																																																																																																																																																																																																																																																																																																																																																																																																																																																																																																																																																																																																																																																																																											
XXX 0.10	XXE 0.1																																																																																																																																																																																																																																																																																																																																																																																																																																																																																																																																																																																																																																																																																																																																																																																																																																																																																																																																																																																																																																																																																																																																																																																																																																																																																																																																																																																												
XXX 0.15	XXE 0.1																																																																																																																																																																																																																																																																																																																																																																																																																																																																																																																																																																																																																																																																																																																																																																																																																																																																																																																																																																																																																																																																																																																																																																																																																																																																																																																																																																																												
XXX 0.20	XXE 0.1																																																																																																																																																																																																																																																																																																																																																																																																																																																																																																																																																																																																																																																																																																																																																																																																																																																																																																																																																																																																																																																																																																																																																																																																																																																																																																																																																																																												
XXX 0.25	XXE 0.1																																																																																																																																																																																																																																																																																																																																																																																																																																																																																																																																																																																																																																																																																																																																																																																																																																																																																																																																																																																																																																																																																																																																																																																																																																																																																																																																																																																												
XXX 0.30	XXE 0.1																																																																																																																																																																																																																																																																																																																																																																																																																																																																																																																																																																																																																																																																																																																																																																																																																																																																																																																																																																																																																																																																																																																																																																																																																																																																																																																																																																																												
XXX 0.35	XXE 0.1																																																																																																																																																																																																																																																																																																																																																																																																																																																																																																																																																																																																																																																																																																																																																																																																																																																																																																																																																																																																																																																																																																																																																																																																																																																																																																																																																																																												
XXX 0.40	XXE 0.1																																																																																																																																																																																																																																																																																																																																																																																																																																																																																																																																																																																																																																																																																																																																																																																																																																																																																																																																																																																																																																																																																																																																																																																																																																																																																																																																																																																												
XXX 0.45	XXE 0.1																																																																																																																																																																																																																																																																																																																																																																																																																																																																																																																																																																																																																																																																																																																																																																																																																																																																																																																																																																																																																																																																																																																																																																																																																																																																																																																																																																																												
XXX 0.50	XXE 0.1																																																																																																																																																																																																																																																																																																																																																																																																																																																																																																																																																																																																																																																																																																																																																																																																																																																																																																																																																																																																																																																																																																																																																																																																																																																																																																																																																																																												
XXX 0.55	XXE 0.1																																																																																																																																																																																																																																																																																																																																																																																																																																																																																																																																																																																																																																																																																																																																																																																																																																																																																																																																																																																																																																																																																																																																																																																																																																																																																																																																																																																												
XXX 0.60	XXE 0.1																																																																																																																																																																																																																																																																																																																																																																																																																																																																																																																																																																																																																																																																																																																																																																																																																																																																																																																																																																																																																																																																																																																																																																																																																																																																																																																																																																																												
XXX 0.65	XXE 0.1																																																																																																																																																																																																																																																																																																																																																																																																																																																																																																																																																																																																																																																																																																																																																																																																																																																																																																																																																																																																																																																																																																																																																																																																																																																																																																																																																																																												
XXX 0.70	XXE 0.1																																																																																																																																																																																																																																																																																																																																																																																																																																																																																																																																																																																																																																																																																																																																																																																																																																																																																																																																																																																																																																																																																																																																																																																																																																																																																																																																																																																												
XXX 0.75	XXE 0.1																																																																																																																																																																																																																																																																																																																																																																																																																																																																																																																																																																																																																																																																																																																																																																																																																																																																																																																																																																																																																																																																																																																																																																																																																																																																																																																																																																																												
XXX 0.80	XXE 0.1																																																																																																																																																																																																																																																																																																																																																																																																																																																																																																																																																																																																																																																																																																																																																																																																																																																																																																																																																																																																																																																																																																																																																																																																																																																																																																																																																																																												
XXX 0.85	XXE 0.1																																																																																																																																																																																																																																																																																																																																																																																																																																																																																																																																																																																																																																																																																																																																																																																																																																																																																																																																																																																																																																																																																																																																																																																																																																																																																																																																																																																												
XXX 0.90	XXE 0.1																																																																																																																																																																																																																																																																																																																																																																																																																																																																																																																																																																																																																																																																																																																																																																																																																																																																																																																																																																																																																																																																																																																																																																																																																																																																																																																																																																																												
XXX 0.95	XXE 0.1																																																																																																																																																																																																																																																																																																																																																																																																																																																																																																																																																																																																																																																																																																																																																																																																																																																																																																																																																																																																																																																																																																																																																																																																																																																																																																																																																																																												
XXX 1.00	XXE 0.1																																																																																																																																																																																																																																																																																																																																																																																																																																																																																																																																																																																																																																																																																																																																																																																																																																																																																																																																																																																																																																																																																																																																																																																																																																																																																																																																																																																												
XXX 1.05	XXE 0.1																																																																																																																																																																																																																																																																																																																																																																																																																																																																																																																																																																																																																																																																																																																																																																																																																																																																																																																																																																																																																																																																																																																																																																																																																																																																																																																																																																																												
XXX 1.10	XXE 0.1																																																																																																																																																																																																																																																																																																																																																																																																																																																																																																																																																																																																																																																																																																																																																																																																																																																																																																																																																																																																																																																																																																																																																																																																																																																																																																																																																																																												
XXX 1.15	XXE 0.1																																																																																																																																																																																																																																																																																																																																																																																																																																																																																																																																																																																																																																																																																																																																																																																																																																																																																																																																																																																																																																																																																																																																																																																																																																																																																																																																																																																												
XXX 1.20	XXE 0.1																																																																																																																																																																																																																																																																																																																																																																																																																																																																																																																																																																																																																																																																																																																																																																																																																																																																																																																																																																																																																																																																																																																																																																																																																																																																																																																																																																																												
XXX 1.25	XXE 0.1																																																																																																																																																																																																																																																																																																																																																																																																																																																																																																																																																																																																																																																																																																																																																																																																																																																																																																																																																																																																																																																																																																																																																																																																																																																																																																																																																																																												
XXX 1.30	XXE 0.1																																																																																																																																																																																																																																																																																																																																																																																																																																																																																																																																																																																																																																																																																																																																																																																																																																																																																																																																																																																																																																																																																																																																																																																																																																																																																																																																																																																												
XXX 1.35	XXE 0.1																																																																																																																																																																																																																																																																																																																																																																																																																																																																																																																																																																																																																																																																																																																																																																																																																																																																																																																																																																																																																																																																																																																																																																																																																																																																																																																																																																																												
XXX 1.40	XXE 0.1																																																																																																																																																																																																																																																																																																																																																																																																																																																																																																																																																																																																																																																																																																																																																																																																																																																																																																																																																																																																																																																																																																																																																																																																																																																																																																																																																																																												
XXX 1.45	XXE 0.1																																																																																																																																																																																																																																																																																																																																																																																																																																																																																																																																																																																																																																																																																																																																																																																																																																																																																																																																																																																																																																																																																																																																																																																																																																																																																																																																																																																												
XXX 1.50	XXE 0.1																																																																																																																																																																																																																																																																																																																																																																																																																																																																																																																																																																																																																																																																																																																																																																																																																																																																																																																																																																																																																																																																																																																																																																																																																																																																																																																																																																																												
XXX 1.55	XXE 0.1																																																																																																																																																																																																																																																																																																																																																																																																																																																																																																																																																																																																																																																																																																																																																																																																																																																																																																																																																																																																																																																																																																																																																																																																																																																																																																																																																																																												
XXX 1.60	XXE 0.1																																																																																																																																																																																																																																																																																																																																																																																																																																																																																																																																																																																																																																																																																																																																																																																																																																																																																																																																																																																																																																																																																																																																																																																																																																																																																																																																																																																												
XXX 1.65	XXE 0.1																																																																																																																																																																																																																																																																																																																																																																																																																																																																																																																																																																																																																																																																																																																																																																																																																																																																																																																																																																																																																																																																																																																																																																																																																																																																																																																																																																																												
XXX 1.70	XXE 0.1																																																																																																																																																																																																																																																																																																																																																																																																																																																																																																																																																																																																																																																																																																																																																																																																																																																																																																																																																																																																																																																																																																																																																																																																																																																																																																																																																																																												
XXX 1.75	XXE 0.1																																																																																																																																																																																																																																																																																																																																																																																																																																																																																																																																																																																																																																																																																																																																																																																																																																																																																																																																																																																																																																																																																																																																																																																																																																																																																																																																																																																												
XXX 1.80	XXE 0.1																																																																																																																																																																																																																																																																																																																																																																																																																																																																																																																																																																																																																																																																																																																																																																																																																																																																																																																																																																																																																																																																																																																																																																																																																																																																																																																																																																																												
XXX 1.85	XXE 0.1																																																																																																																																																																																																																																																																																																																																																																																																																																																																																																																																																																																																																																																																																																																																																																																																																																																																																																																																																																																																																																																																																																																																																																																																																																																																																																																																																																																												
XXX 1.90	XXE 0.1																																																																																																																																																																																																																																																																																																																																																																																																																																																																																																																																																																																																																																																																																																																																																																																																																																																																																																																																																																																																																																																																																																																																																																																																																																																																																																																																																																																												
XXX 1.95	XXE 0.1																																																																																																																																																																																																																																																																																																																																																																																																																																																																																																																																																																																																																																																																																																																																																																																																																																																																																																																																																																																																																																																																																																																																																																																																																																																																																																																																																																																												
XXX 2.00	XXE 0.1																																																																																																																																																																																																																																																																																																																																																																																																																																																																																																																																																																																																																																																																																																																																																																																																																																																																																																																																																																																																																																																																																																																																																																																																																																																																																																																																																																																												
XXX 2.05	XXE 0.1																																																																																																																																																																																																																																																																																																																																																																																																																																																																																																																																																																																																																																																																																																																																																																																																																																																																																																																																																																																																																																																																																																																																																																																																																																																																																																																																																																																												
XXX 2.10	XXE 0.1																																																																																																																																																																																																																																																																																																																																																																																																																																																																																																																																																																																																																																																																																																																																																																																																																																																																																																																																																																																																																																																																																																																																																																																																																																																																																																																																																																																												
XXX 2.15	XXE 0.1																																																																																																																																																																																																																																																																																																																																																																																																																																																																																																																																																																																																																																																																																																																																																																																																																																																																																																																																																																																																																																																																																																																																																																																																																																																																																																																																																																																												
XXX 2.20	XXE 0.1																																																																																																																																																																																																																																																																																																																																																																																																																																																																																																																																																																																																																																																																																																																																																																																																																																																																																																																																																																																																																																																																																																																																																																																																																																																																																																																																																																																												
XXX 2.25	XXE 0.1																																																																																																																																																																																																																																																																																																																																																																																																																																																																																																																																																																																																																																																																																																																																																																																																																																																																																																																																																																																																																																																																																																																																																																																																																																																																																																																																																																																												
XXX 2.30	XXE 0.1																																																																																																																																																																																																																																																																																																																																																																																																																																																																																																																																																																																																																																																																																																																																																																																																																																																																																																																																																																																																																																																																																																																																																																																																																																																																																																																																																																																												
XXX 2.35	XXE 0.1																																																																																																																																																																																																																																																																																																																																																																																																																																																																																																																																																																																																																																																																																																																																																																																																																																																																																																																																																																																																																																																																																																																																																																																																																																																																																																																																																																																												
XXX 2.40	XXE 0.1																																																																																																																																																																																																																																																																																																																																																																																																																																																																																																																																																																																																																																																																																																																																																																																																																																																																																																																																																																																																																																																																																																																																																																																																																																																																																																																																																																																												
XXX 2.45	XXE 0.1																																																																																																																																																																																																																																																																																																																																																																																																																																																																																																																																																																																																																																																																																																																																																																																																																																																																																																																																																																																																																																																																																																																																																																																																																																																																																																																																																																																												
XXX 2.50	XXE 0.1																																																																																																																																																																																																																																																																																																																																																																																																																																																																																																																																																																																																																																																																																																																																																																																																																																																																																																																																																																																																																																																																																																																																																																																																																																																																																																																																																																																												
XXX 2.55	XXE 0.1																																																																																																																																																																																																																																																																																																																																																																																																																																																																																																																																																																																																																																																																																																																																																																																																																																																																																																																																																																																																																																																																																																																																																																																																																																																																																																																																																																																												
XXX 2.60	XXE 0.1																																																																																																																																																																																																																																																																																																																																																																																																																																																																																																																																																																																																																																																																																																																																																																																																																																																																																																																																																																																																																																																																																																																																																																																																																																																																																																																																																																																												
XXX 2.65	XXE 0.1																																																																																																																																																																																																																																																																																																																																																																																																																																																																																																																																																																																																																																																																																																																																																																																																																																																																																																																																																																																																																																																																																																																																																																																																																																																																																																																																																																																												
XXX 2.70	XXE 0.1																																																																																																																																																																																																																																																																																																																																																																																																																																																																																																																																																																																																																																																																																																																																																																																																																																																																																																																																																																																																																																																																																																																																																																																																																																																																																																																																																																																												
XXX 2.75	XXE 0.1																																																																																																																																																																																																																																																																																																																																																																																																																																																																																																																																																																																																																																																																																																																																																																																																																																																																																																																																																																																																																																																																																																																																																																																																																																																																																																																																																																																												
XXX 2.80	XXE 0.1																																																																																																																																																																																																																																																																																																																																																																																																																																																																																																																																																																																																																																																																																																																																																																																																																																																																																																																																																																																																																																																																																																																																																																																																																																																																																																																																																																																												
XXX 2.85	XXE 0.1																																																																																																																																																																																																																																																																																																																																																																																																																																																																																																																																																																																																																																																																																																																																																																																																																																																																																																																																																																																																																																																																																																																																																																																																																																																																																																																																																																																												
XXX 2.90	XXE 0.1																																																																																																																																																																																																																																																																																																																																																																																																																																																																																																																																																																																																																																																																																																																																																																																																																																																																																																																																																																																																																																																																																																																																																																																																																																																																																																																																																																																												
XXX 2.95	XXE 0.1																																																																																																																																																																																																																																																																																																																																																																																																																																																																																																																																																																																																																																																																																																																																																																																																																																																																																																																																																																																																																																																																																																																																																																																																																																																																																																																																																																																												
XXX 3.00	XXE 0.1																																																																																																																																																																																																																																																																																																																																																																																																																																																																																																																																																																																																																																																																																																																																																																																																																																																																																																																																																																																																																																																																																																																																																																																																																																																																																																																																																																																												
XXX 3.05	XXE 0.1																																																																																																																																																																																																																																																																																																																																																																																																																																																																																																																																																																																																																																																																																																																																																																																																																																																																																																																																																																																																																																																																																																																																																																																																																																																																																																																																																																																												
XXX 3.10	XXE 0.1																																																																																																																																																																																																																																																																																																																																																																																																																																																																																																																																																																																																																																																																																																																																																																																																																																																																																																																																																																																																																																																																																																																																																																																																																																																																																																																																																																																												
XXX 3.15	XXE 0.1																																																																																																																																																																																																																																																																																																																																																																																																																																																																																																																																																																																																																																																																																																																																																																																																																																																																																																																																																																																																																																																																																																																																																																																																																																																																																																																																																																																												
XXX 3.20	XXE 0.1																																																																																																																																																																																																																																																																																																																																																																																																																																																																																																																																																																																																																																																																																																																																																																																																																																																																																																																																																																																																																																																																																																																																																																																																																																																																																																																																																																																												
XXX 3.25	XXE 0.1																																																																																																																																																																																																																																																																																																																																																																																																																																																																																																																																																																																																																																																																																																																																																																																																																																																																																																																																																																																																																																																																																																																																																																																																																																																																																																																																																																																												
XXX 3.30	XXE 0.1																																																																																																																																																																																																																																																																																																																																																																																																																																																																																																																																																																																																																																																																																																																																																																																																																																																																																																																																																																																																																																																																																																																																																																																																																																																																																																																																																																																												
XXX 3.35	XXE 0.1																																																																																																																																																																																																																																																																																																																																																																																																																																																																																																																																																																																																																																																																																																																																																																																																																																																																																																																																																																																																																																																																																																																																																																																																																																																																																																																																																																																												
XXX 3.40	XXE 0.1																																																																																																																																																																																																																																																																																																																																																																																																																																																																																																																																																																																																																																																																																																																																																																																																																																																																																																																																																																																																																																																																																																																																																																																																																																																																																																																																																																																												
XXX 3.45	XXE 0.1																																																																																																																																																																																																																																																																																																																																																																																																																																																																																																																																																																																																																																																																																																																																																																																																																																																																																																																																																																																																																																																																																																																																																																																																																																																																																																																																																																																												
XXX 3.50	XXE 0.1																																																																																																																																																																																																																																																																																																																																																																																																																																																																																																																																																																																																																																																																																																																																																																																																																																																																																																																																																																																																																																																																																																																																																																																																																																																																																																																																																																																												
XXX 3.55	XXE 0.1																																																																																																																																																																																																																																																																																																																																																																																																																																																																																																																																																																																																																																																																																																																																																																																																																																																																																																																																																																																																																																																																																																																																																																																																																																																																																																																																																																																												
XXX 3.60	XXE 0.1																																																																																																																																																																																																																																																																																																																																																																																																																																																																																																																																																																																																																																																																																																																																																																																																																																																																																																																																																																																																																																																																																																																																																																																																																																																																																																																																																																																												
XXX 3.65	XXE 0.1																																																																																																																																																																																																																																																																																																																																																																																																																																																																																																																																																																																																																																																																																																																																																																																																																																																																																																																																																																																																																																																																																																																																																																																																																																																																																																																																																																																												
XXX 3.70	XXE 0.1																																																																																																																																																																																																																																																																																																																																																																																																																																																																																																																																																																																																																																																																																																																																																																																																																																																																																																																																																																																																																																																																																																																																																																																																																																																																																																																																																																																												
XXX 3.75	XXE 0.1																																																																																																																																																																																																																																																																																																																																																																																																																																																																																																																																																																																																																																																																																																																																																																																																																																																																																																																																																																																																																																																																																																																																																																																																																																																																																																																																																																																												
XXX 3.80	XXE 0.1																																																																																																																																																																																																																																																																																																																																																																																																																																																																																																																																																																																																																																																																																																																																																																																																																																																																																																																																																																																																																																																																																																																																																																																																																																																																																																																																																																																												
XXX 3.85	XXE 0.1																																																																																																																																																																																																																																																																																																																																																																																																																																																																																																																																																																																																																																																																																																																																																																																																																																																																																																																																																																																																																																																																																																																																																																																																																																																																																																																																																																																												
XXX 3.90	XXE 0.1																																																																																																																																																																																																																																																																																																																																																																																																																																																																																																																																																																																																																																																																																																																																																																																																																																																																																																																																																																																																																																																																																																																																																																																																																																																																																																																																																																																												
XXX 3.95	XXE 0.1																																																																																																																																																																																																																																																																																																																																																																																																																																																																																																																																																																																																																																																																																																																																																																																																																																																																																																																																																																																																																																																																																																																																																																																																																																																																																																																																																																																												
XXX 4.00	XXE 0.1																																																																																																																																																																																																																																																																																																																																																																																																																																																																																																																																																																																																																																																																																																																																																																																																																																																																																																																																																																																																																																																																																																																																																																																																																																																																																																																																																																																												
XXX 4.05	XXE 0.1																																																																																																																																																																																																																																																																																																																																																																																																																																																																																																																																																																																																																																																																																																																																																																																																																																																																																																																																																																																																																																																																																																																																																																																																																																																																																																																																																																																												
XXX 4.10	XXE 0.1																																																																																																																																																																																																																																																																																																																																																																																																																																																																																																																																																																																																																																																																																																																																																																																																																																																																																																																																																																																																																																																																																																																																																																																																																																																																																																																																																																																												
XXX 4.15	XXE 0.1																																																																																																																																																																																																																																																																																																																																																																																																																																																																																																																																																																																																																																																																																																																																																																																																																																																																																																																																																																																																																																																																																																																																																																																																																																																																																																																																																																																												
XXX 4.20	XXE 0.1																																																																																																																																																																																																																																																																																																																																																																																																																																																																																																																																																																																																																																																																																																																																																																																																																																																																																																																																																																																																																																																																																																																																																																																																																																																																																																																																																																																												
XXX 4.25	XXE 0.1																																																																																																																																																																																																																																																																																																																																																																																																																																																																																																																																																																																																																																																																																																																																																																																																																																																																																																																																																																																																																																																																																																																																																																																																																																																																																																																																																																																												
XXX 4.30	XXE 0.1																																																																																																																																																																																																																																																																																																																																																																																																																																																																																																																																																																																																																																																																																																																																																																																																																																																																																																																																																																																																																																																																																																																																																																																																																																																																																																																																																																																												
XXX 4.35	XXE 0.1																																																																																																																																																																																																																																																																																																																																																																																																																																																																																																																																																																																																																																																																																																																																																																																																																																																																																																																																																																																																																																																																																																																																																																																																																																																																																																																																																																																												
XXX 4.40	XXE 0.1																																																																																																																																																																																																																																																																																																																																																																																																																																																																																																																																																																																																																																																																																																																																																																																																																																																																																																																																																																																																																																																																																																																																																																																																																																																																																																																																																																																												
XXX 4.45	XXE 0.1																																																																																																																																																																																																																																																																																																																																																																																																																																																																																																																																																																																																																																																																																																																																																																																																																																																																																																																																																																																																																																																																																																																																																																																																																																																																																																																																																																																												
XXX 4.50	XXE 0.1																																																																																																																																																																																																																																																																																																																																																																																																																																																																																																																																																																																																																																																																																																																																																																																																																																																																																																																																																																																																																																																																																																																																																																																																																																																																																																																																																																																												
XXX 4.55	XXE 0.1																																																																																																																																																																																																																																																																																																																																																																																																																																																																																																																																																																																																																																																																																																																																																																																																																																																																																																																																																																																																																																																																																																																																																																																																																																																																																																																																																																																												
XXX 4.60	XXE 0.1																																																																																																																																																																																																																																																																																																																																																																																																																																																																																																																																																																																																																																																																																																																																																																																																																																																																																																																																																																																																																																																																																																																																																																																																																																																																																																																																																																																												
XXX 4.65	XXE 0.1																																																																																																																																																																																																																																																																																																																																																																																																																																																																																																																																																																																																																																																																																																																																																																																																																																																																																																																																																																																																																																																																																																																																																																																																																																																																																																																																																																																												
XXX 4.70	XXE 0.1																																																																																																																																																																																																																																																																																																																																																																																																																																																																																																																																																																																																																																																																																																																																																																																																																																																																																																																																																																																																																																																																																																																																																																																																																																																																																																																																																																																												
XXX 4.75	XXE 0.1																																																																																																																																																																																																																																																																																																																																																																																																																																																																																																																																																																																																																																																																																																																																																																																																																																																																																																																																																																																																																																																																																																																																																																																																																																																																																																																																																																																												
XXX 4.80	XXE 0.1																																																																																																																																																																																																																																																																																																																																																																																																																																																																																																																																																																																																																																																																																																																																																																																																																																																																																																																																																																																																																																																																																																																																																																																																																																																																																																																																																																																												
XXX 4.85	XXE 0.1																																																																																																																																																																																																																																																																																																																																																																																																																																																																																																																																																																																																																																																																																																																																																																																																																																																																																																																																																																																																																																																																																																																																																																																																																																																																																																																																																																																												
XXX 4.90	XXE 0.1																																																																																																																																																																																																																																																																																																																																																																																																																																																																																																																																																																																																																																																																																																																																																																																																																																																																																																																																																																																																																																																																																																																																																																																																																																																																																																																																																																																												
XXX 4.95	XXE 0.1																																																																																																																																																																																																																																																																																																																																																																																																																																																																																																																																																																																																																																																																																																																																																																																																																																																																																																																																																																																																																																																																																																																																																																																																																																																																																																																																																																																												
XXX 5.00	XXE 0.1																																																																																																																																																																																																																																																																																																																																																																																																																																																																																																																																																																																																																																																																																																																																																																																																																																																																																																																																																																																																																																																																																																																																																																																																																																																																																																																																																																																												
XXX 5.05	XXE 0.1																																																																																																																																																																																																																																																																																																																																																																																																																																																																																																																																																																																																																																																																																																																																																																																																																																																																																																																																																																																																																																																																																																																																																																																																																																																																																																																																																																																												
XXX 5.10	XXE 0.1																																																																																																																																																																																																																																																																																																																																																																																																																																																																																																																																																																																																																																																																																																																																																																																																																																																																																																																																																																																																																																																																																																																																																																																																																																																																																																																																																																																												
XXX 5.15	XXE 0.1																																																																																																																																																																																																																																																																																																																																																																																																																																																																																																																																																																																																																																																																																																																																																																																																																																																																																																																																																																																																																																																																																																																																																																																																																																																																																																																																																																																												
XXX 5.20	XXE 0.1																																																																																																																																																																																																																																																																																																																																																																																																																																																																																																																																																																																																																																																																																																																																																																																																																																																																																																																																																																																																																																																																																																																																																																																																																																																																																																																																																																																												
XXX 5.25	XXE 0.1																																																																																																																																																																																																																																																																																																																																																																																																																																																																																																																																																																																																																																																																																																																																																																																																																																																																																																																																																																																																																																																																																																																																																																																																																																																																																																																																																																																												
XXX 5.30	XXE 0.1																																																																																																																																																																																																																																																																																																																																																																																																																																																																																																																																																																																																																																																																																																																																																																																																																																																																																																																																																																																																																																																																																																																																																																																																																																																																																																																																																																																												
XXX 5.35	XXE 0.1																																																																																																																																																																																																																																																																																																																																																																																																																																																																																																																																																																																																																																																																																																																																																																																																																																																																																																																																																																																																																																																																																																																																																																																																																																																																																																																																																																																												
XXX 5.40	XXE 0.1																																																																																																																																																																																																																																																																																																																																																																																																																																																																																																																																																																																																																																																																																																																																																																																																																																																																																																																																																																																																																																																																																																																																																																																																																																																																																																																																																																																												
XXX 5.45	XXE 0.1																																																																																																																																																																																																																																																																																																																																																																																																																																																																																																																																																																																																																																																																																																																																																																																																																																																																																																																																																																																																																																																																																																																																																																																																																																																																																																																																																																																												
XXX 5.50	XXE 0.1																																																																																																																																																																																																																																																																																																																																																																																																																																																																																																																																																																																																																																																																																																																																																																																																																																																																																																																																																																																																																																																																																																																																																																																																																																																																																																																																																																																												
XXX 5.55	XXE 0.1																																																																																																																																																																																																																																																																																																																																																																																																																																																																																																																																																																																																																																																																																																																																																																																																																																																																																																																																																																																																																																																																																																																																																																																																																																																																																																																																																																																												
XXX 5.60	XXE 0.1																																																																																																																																																																																																																																																																																																																																																																																																																																																																																																																																																																																																																																																																																																																																																																																																																																																																																																																																																																																																																																																																																																																																																																																																																																																																																																																																																																																												
XXX 5.65	XXE 0.1																																																																																																																																																																																																																																																																																																																																																																																																																																																																																																																																																																																																																																																																																																																																																																																																																																																																																																																																																																																																																																																																																																																																																																																																																																																																																																																																																																																												
XXX 5.70	XXE 0.1																																																																																																																																																																																																																																																																																																																																																																																																																																																																																																																																																																																																																																																																																																																																																																																																																																																																																																																																																																																																																																																																																																																																																																																																																																																																																																																																																																																												
XXX 5.75	XXE 0.1																																																																																																																																																																																																																																																																																																																																																																																																																																																																																																																																																																																																																																																																																																																																																																																																																																																																																																																																																																																																																																																																																																																																																																																																																																																																																																																																																																																												
XXX 5.80	XXE 0.1																																																																																																																																																																																																																																																																																																																																																																																																																																																																																																																																																																																																																																																																																																																																																																																																																																																																																																																																																																																																																																																																																																																																																																																																																																																																																																																																																																																												
XXX 5.85	XXE 0.1																																																																																																																																																																																																																																																																																																																																																																																																																																																																																																																																																																																																																																																																																																																																																																																																																																																																																																																																																																																																																																																																																																																																																																																																																																																																																																																																																																																												
XXX 5.90	XXE 0.1																																																																																																																																																																																																																																																																																																																																																																																																																																																																																																																																																																																																																																																																																																																																																																																																																																																																																																																																																																																																																																																																																																																																																																																																																																																																																																																																																																																												
XXX 5.95	XXE 0.1																																																																																																																																																																																																																																																																																																																																																																																																																																																																																																																																																																																																																																																																																																																																																																																																																																																																																																																																																																																																																																																																																																																																																																																																																																																																																																																																																																																												
XXX 6.00	XXE 0.1																																																																																																																																																																																																																																																																																																																																																																																																																																																																																																																																																																																																																																																																																																																																																																																																																																																																																																																																																																																																																																																																																																																																																																																																																																																																																																																																																																																												
XXX 6.05	XXE 0.1																																																																																																																																																																																																																																																																																																																																																																																																																																																																																																																																																																																																																																																																																																																																																																																																																																																																																																																																																																																																																																																																																																																																																																																																																																																																																																																																																																																												
XXX 6.10	XXE 0.1																																																																																																																																																																																																																																																																																																																																																																																																																																																																																																																																																																																																																																																																																																																																																																																																																																																																																																																																																																																																																																																																																																																																																																																																																																																																																																																																																																																												
XXX 6.15	XXE 0.1																																																																																																																																																																																																																																																																																																																																																																																																																																																																																																																																																																																																																																																																																																																																																																																																																																																																																																																																																																																																																																																																																																																																																																																																																																																																																																																																																																																												
XXX 6.20	XXE 0.1																																																																																																																																																																																																																																																																																																																																																																																																																																																																																																																																																																																																																																																																																																																																																																																																																																																																																																																																																																																																																																																																																																																																																																																																																																																																																																																																																																																												
XXX 6.25	XXE 0.1																																																																																																																																																																																																																																																																																																																																																																																																																																																																																																																																																																																																																																																																																																																																																																																																																																																																																																																																																																																																																																																																																																																																																																																																																																																																																																																																																																																												
XXX 6.30	XXE 0.1																																																																																																																																																																																																																																																																																																																																																																																																																																																																																																																																																																																																																																																																																																																																																																																																																																																																																																																																																																																																																																																																																																																																																																																																																																																																																																																																																																																												
XXX 6.35	XXE 0.1																																																																																																																																																																																																																																																																																																																																																																																																																																																																																																																																																																																																																																																																																																																																																																																																																																																																																																																																																																																																																																																																																																																																																																																																																																																																																																																																																																																												
XXX 6.40	XXE 0.1																																																																																																																																																																																																																																																																																																																																																																																																																																																																																																																																																																																																																																																																																																																																																																																																																																																																																																																																																																																																																																																																																																																																																																																																																																																																																																																																																																																												
XXX 6.45	XXE 0.1																																																																																																																																																																																																																																																																																																																																																																																																																																																																																																																																																																																																																																																																																																																																																																																																																																																																																																																																																																																																																																																																																																																																																																																																																																																																																																																																																																																												
XXX 6.50	XXE 0.1																																																																																																																																																																																																																																																																																																																																																																																																																																																																																																																																																																																																																																																																																																																																																																																																																																																																																																																																																																																																																																																																																																																																																																																																																																																																																																																																																																																												
XXX 6.55	XXE 0.1																																																																																																																																																																																																																																																																																																																																																																																																																																																																																																																																																																																																																																																																																																																																																																																																																																																																																																																																																																																																																																																																																																																																																																																																																																																																																																																																																																																												
XXX 6.60	XXE 0.1																																																																																																																																																																																																																																																																																																																																																																																																																																																																																																																																																																																																																																																																																																																																																																																																																																																																																																																																																																																																																																																																																																																																																																																																																																																																																																																																																																																												
XXX 6.65	XXE 0.1																																																																																																																																																																																																																																																																																																																																																																																																																																																																																																																																																																																																																																																																																																																																																																																																																																																																																																																																																																																																																																																																																																																																																																																																																																																																																																																																																																																												
XXX 6.70	XXE 0.1																																																																																																																																																																																																																																																																																																																																																																																																																																																																																																																																																																																																																																																																																																																																																																																																																																																																																																																																																																																																																																																																																																																																																																																																																																																																																																																																																																																												
XXX 6.75	XXE 0.1																																																																																																																																																																																																																																																																																																																																																																																																																																																																																																																																																																																																																																																																																																																																																																																																																																																																																																																																																																																																																																																																																																																																																																																																																																																																																																																																																																																												
XXX 6.80	XXE 0.1																																																																																																																																																																																																																																																																																																																																																																																																																																																																																																																																																																																																																																																																																																																																																																																																																																																																																																																																																																																																																																																																																																																																																																																																																																																																																																																																																																																												
XXX 6.85	XXE 0.1																																																																																																																																																																																																																																																																																																																																																																																																																																																																																																																																																																																																																																																																																																																																																																																																																																																																																																																																																																																																																																																																																																																																																																																																																																																																																																																																																																																												
XXX 6.90	XXE 0.1																																																																																																																																																																																																																																																																																																																																																																																																																																																																																																																																																																																																																																																																																																																																																																																																																																																																																																																																																																																																																																																																																																																																																																																																																																																																																																																																																																																												
XXX 6.95	XXE 0.1																																																																																																																																																																																																																																																																																																																																																																																																																																																																																																																																																																																																																																																																																																																																																																																																																																																																																																																																																																																																																																																																																																																																																																																																																																																																																																																																																																																												
XXX 7.00	XXE 0.1																																																																																																																																																																																																																																																																																																																																																																																																																																																																																																																																																																																																																																																																																																																																																																																																																																																																																																																																																																																																																																																																																																																																																																																																																																																																																																																																																																																												
XXX 7.05	XXE 0.1																																																																																																																																																																																																																																																																																																																																																																																																																																																																																																																																																																																																																																																																																																																																																																																																																																																																																																																																																																																																																																																																																																																																																																																																																																																																																																																																																																																												
XXX 7.10	XXE 0.1																																																																																																																																																																																																																																																																																																																																																																																																																																																																																																																																																																																																																																																																																																																																																																																																																																																																																																																																																																																																																																																																																																																																																																																																																																																																																																																																																																																												
XXX 7.15	XXE 0.1																																																																																																																																																																																																																																																																																																																																																																																																																																																																																																																																																																																																																																																																																																																																																																																																																																																																																																																																																																																																																																																																																																																																																																																																																																																																																																																																																																																												
XXX 7.20	XXE 0.1																																																																																																																																																																																																																																																																																																																																																																																																																																																																																																																																																																																																																																																																																																																																																																																																																																																																																																																																																																																																																																																																																																																																																																																																																																																																																																																																																																																												
XXX 7.25	XXE 0.1																																																																																																																																																																																																																																																																																																																																																																																																																																																																																																																																																																																																																																																																																																																																																																																																																																																																																																																																																																																																																																																																																																																																																																																																																																																																																																																																																																																												
XXX 7.30	XXE 0.1																																																																																																																																																																																																																																																																																																																																																																																																																																																																																																																																																																																																																																																																																																																																																																																																																																																																																																																																																																																																																																																																																																																																																																																																																																																																																																																																																																																												
XXX 7.35	XXE 0.1																																																																																																																																																																																																																																																																																																																																																																																																																																																																																																																																																																																																																																																																																																																																																																																																																																																																																																																																																																																																																																																																																																																																																																																																																																																																																																																																																																																												
XXX 7.40	XXE 0.1																																																																																																																																																																																																																																																																																																																																																																																																																																																																																																																																																																																																																																																																																																																																																																																																																																																																																																																																																																																																																																																																																																																																																																																																																																																																																																																																																																																												
XXX 7.45	XXE 0.1																																																																																																																																																																																																																																																																																																																																																																																																																																																																																																																																																																																																																																																																																																																																																																																																																																																																																																																																																																																																																																																																																																																																																																																																																																																																																																																																																																																												
XXX 7.50	XXE 0.1																																																																																																																																																																																																																																																																																																																																																																																																																																																																																																																																																																																																																																																																																																																																																																																																																																																																																																																																																																																																																																																																																																																																																																																																																																																																																																																																																																																												
XXX 7.55	XXE 0.1																																																																																																																																																																																																																																																																																																																																																																																																																																																																																																																																																																																																																																																																																																																																																																																																																																																																																																																																																																																																																																																																																																																																																																																																																																																																																																																																																																																												
XXX 7.60	XXE 0.1																																																																																																																																																																																																																																																																																																																																																																																																																																																																																																																																																																																																																																																																																																																																																																																																																																																																																																																																																																																																																																																																																																																																																																																																																																																																																																																																																																																												
XXX 7.65	XXE 0.1																																																																																																																																																																																																																																																																																																																																																																																																																																																																																																																																																																																																																																																																																																																																																																																																																																																																																																																																																																																																																																																																																																																																																																																																																																																																																																																																																																																												
XXX 7.70	XXE 0.1																																																																																																																																																																																																																																																																																																																																																																																																																																																																																																																																																																																																																																																																																																																																																																																																																																																																																																																																																																																																																																																																																																																																																																																																																																																																																																																																																																																												
XXX 7.75	XXE 0.1																																																																																																																																																																																																																																																																																																																																																																																																																																																																																																																																																																																																																																																																																																																																																																																																																																																																																																																																																																																																																																																																																																																																																																																																																																																																																																																																																																																												
XXX 7.80	XXE 0.1																																																																																																																																																																																																																																																																																																																																																																																																																																																																																																																																																																																																																																																																																																																																																																																																																																																																																																																																																																																																																																																																																																																																																																																																																																																																																																																																																																																												
XXX 7.85	XXE 0.1																																																																																																																																																																																																																																																																																																																																																																																																																																																																																																																																																																																																																																																																																																																																																																																																																																																																																																																																																																																																																																																																																																																																																																																																																																																																																																																																																																																												
XXX 7.90	XXE 0.1																																																																																																																																																																																																																																																																																																																																																																																																																																																																																																																																																																																																																																																																																																																																																																																																																																																																																																																																																																																																																																																																																																																																																																																																																																																																																																																																																																																												
XXX 7.95	XXE 0.1																																																																																																																																																																																																																																																																																																																																																																																																																																																																																																																																																																																																																																																																																																																																																																																																																																																																																																																																																																																																																																																																																																																																																																																																																																																																																																																																																																																												
XXX 8.00	XXE 0.1																																																																																																																																																																																																																																																																																																																																																																																																																																																																																																																																																																																																																																																																																																																																																																																																																																																																																																																																																																																																																																																																																																																																																																																																																																																																																																																																																																																												
XXX 8.05	XXE 0.1																																																																																																																																																																																																																																																																																																																																																																																																																																																																																																																																																																																																																																																																																																																																																																																																																																																																																																																																																																																																																																																																																																																																																																																																																																																																																																																																																																																												
XXX 8.10	XXE 0.1																																																																																																																																																																																																																																																																																																																																																																																																																																																																																																																																																																																																																																																																																																																																																																																																																																																																																																																																																																																																																																																																																																																																																																																																																																																																																																																																																																																												
XXX 8.15	XXE 0.1																																																																																																																																																																																																																																																																																																																																																																																																																																																																																																																																																																																																																																																																																																																																																																																																																																																																																																																																																																																																																																																																																																																																																																																																																																																																																																																																																																																												
XXX 8.20	XXE 0.1																																																																																																																																																																																																																																																																																																																																																																																																																																																																																																																																																																																																																																																																																																																																																																																																																																																																																																																																																																																																																																																																																																																																																																																																																																																																																																																																																																																												
XXX 8.25	XXE 0.1																																																																																																																																																																																																																																																																																																																																																																																																																																																																																																																																																																																																																																																																																																																																																																																																																																																																																																																																																																																																																																																																																																																																																																																																																																																																																																																																																																																												
XXX 8.30	XXE 0.1																																																																																																																																																																																																																																																																																																																																																																																																																																																																																																																																																																																																																																																																																																																																																																																																																																																																																																																																																																																																																																																																																																																																																																																																																																																																																																																																																																																												
XXX 8.35	XXE 0.1																																																																																																																																																																																																																																																																																																																																																																																																																																																																																																																																																																																																																																																																																																																																																																																																																																																																																																																																																																																																																																																																																																																																																																																																																																																																																																																																																																																												
XXX 8.40	XXE 0.1																																																																																																																																																																																																																																																																																																																																																																																																																																																																																																																																																																																																																																																																																																																																																																																																																																																																																																																																																																																																																																																																																																																																																																																																																																																																																																																																																																																												
XXX 8.45	XXE 0.1																																																																																																																																																																																																																																																																																																																																																																																																																																																																																																																																																																																																																																																																																																																																																																																																																																																																																																																																																																																																																																																																																																																																																																																																																																																																																																																																																																																												
XXX 8.50	XXE 0.1																																																																																																																																																																																																																																																																																																																																																																																																																																																																																																																																																																																																																																																																																																																																																																																																																																																																																																																																																																																																																																																																																																																																																																																																																																																																																																																																																																																												
XXX 8.55	XXE 0.1																																																																																																																																																																																																																																																																																																																																																																																																																																																																																																																																																																																																																																																																																																																																																																																																																																																																																																																																																																																																																																																																																																																																																																																																																																																																																																																																																																																												
XXX 8.60	XXE 0.1																																																																																																																																																																																																																																																																																																																																																																																																																																																																																																																																																																																																																																																																																																																																																																																																																																																																																																																																																																																																																																																																																																																																																																																																																																																																																																																																																																																												
XXX 8.65	XXE 0.1																																																																																																																																																																																																																																																																																																																																																																																																																																																																																																																																																																																																																																																																																																																																																																																																																																																																																																																																																																																																																																																																																																																																																																																																																																																																																																																																																																																												
XXX 8.70	XXE 0.1																																																																																																																																																																																																																																																																																																																																																																																																																																																																																																																																																																																																																																																																																																																																																																																																																																																																																																																																																																																																																																																																																																																																																																																																																																																																																																																																																																																												
XXX 8.75	XXE 0.1																																																																																																																																																																																																																																																																																																																																																																																																																																																																																																																																																																																																																																																																																																																																																																																																																																																																																																																																																																																																																																																																																																																																																																																																																																																																																																																																																																																												
XXX 8.80	XXE 0.1																																																																																																																																																																																																																																																																																																																																																																																																																																																																																																																																																																																																																																																																																																																																																																																																																																																																																																																																																																																																																																																																																																																																																																																																																																																																																																																																																																																												
XXX 8.85	XXE 0.1																																																																																																																																																																																																																																																																																																																																																																																																																																																																																																																																																																																																																																																																																																																																																																																																																																																																																																																																																																																																																																																																																																																																																																																																																																																																																																																																																																																												
XXX 8.90	XXE 0.1																																																																																																																																																																																																																																																																																																																																																																																																																																																																																																																																																																																																																																																																																																																																																																																																																																																																																																																																																																																																																																																																																																																																																																																																																																																																																																																																																																																												
XXX 8.95	XXE 0.1																																																																																																																																																																																																																																																																																																																																																																																																																																																																																																																																																																																																																																																																																																																																																																																																																																																																																																																																																																																																																																																																																																																																																																																																																																																																																																																																																																																												
XXX 9.00	XXE 0.1																																																																																																																																																																																																																																																																																																																																																																																																																																																																																																																																																																																																																																																																																																																																																																																																																																																																																																																																																																																																																																																																																																																																																																																																																																																																																																																																																																																												
XXX 9.05	XXE 0.1																																																																																																																																																																																																																																																																																																																																																																																																																																																																																																																																																																																																																																																																																																																																																																																																																																																																																																																																																																																																																																																																																																																																																																																																																																																																																																																																																																																												
XXX 9.10	XXE 0.1																																																																																																																																																																																																																																																																																																																																																																																																																																																																																																																																																																																																																																																																																																																																																																																																																																																																																																																																																																																																																																																																																																																																																																																																																																																																																																																																																																																												
XXX 9.15	XXE 0.1																																																																																																																																																																																																																																																																																																																																																																																																																																																																																																																																																																																																																																																																																																																																																																																																																																																																																																																																																																																																																																																																																																																																																																																																																																																																																																																																																																																												
XXX 9.20	XXE 0.1																																																																																																																																																																																																																																																																																																																																																																																																																																																																																																																																																																																																																																																																																																																																																																																																																																																																																																																																																																																																																																																																																																																																																																																																																																																																																																																																																																																												
XXX 9.25	XXE 0.1																																																																																																																																																																																																																																																																																																																																																																																																																																																																																																																																																																																																																																																																																																																																																																																																																																																																																																																																																																																																																																																																																																																																																																																																																																																																																																																																																																																												
XXX 9.30	XXE 0.1																																																																																																																																																																																																																																																																																																																																																																																																																																																																																																																																																																																																																																																																																																																																																																																																																																																																																																																																																																																																																																																																																																																																																																																																																																																																																																																																																																																												
XXX 9.35	XXE 0.1																																																																																																																																																																																																																																																																																																																																																																																																																																																																																																																																																																																																																																																																																																																																																																																																																																																																																																																																																																																																																																																																																																																																																																																																																																																																																																																																																																																												
XXX 9.40	XXE 0.1																																																																																																																																																																																																																																																																																																																																																																																																																																																																																																																																																																																																																																																																																																																																																																																																																																																																																																																																																																																																																																																																																																																																																																																																																																																																																																																																																																																												
XXX 9.45	XXE 0.1																																																																																																																																																																																																																																																																																																																																																																																																																																																																																																																																																																																																																																																																																																																																																																																																																																																																																																																																																																																																																																																																																																																																																																																																																																																																																																																																																																																												
XXX 9.50	XXE 0.1																																																																																																																																																																																																																																																																																																																																																																																																																																																																																																																																																																																																																																																																																																																																																																																																																																																																																																																																																																																																																																																																																																																																																																																																																																																																																																																																																																																												
XXX 9.55	XXE 0.1																																																																																																																																																																																																																																																																																																																																																																																																																																																																																																																																																																																																																																																																																																																																																																																																																																																																																																																																																																																																																																																																																																																																																																																																																																																																																																																																																																																												
XXX 9.60	XXE 0.1																																																																																																																																																																																																																																																																																																																																																																																																																																																																																																																																																																																																																																																																																																																																																																																																																																																																																																																																																																																																																																																																																																																																																																																																																																																																																																																																																																																												
XXX 9.65	XXE 0.1																																																																																																																																																																																																																																																																																																																																																																																																																																																																																																																																																																																																																																																																																																																																																																																																																																																																																																																																																																																																																																																																																																																																																																																																																																																																																																																																																																																												
XXX 9.70	XXE 0.1																																																																																																																																																																																																																																																																																																																																																																																																																																																																																																																																																																																																																																																																																																																																																																																																																																																																																																																																																																																																																																																																																																																																																																																																																																																																																																																																																																																												
XXX 9.75	XXE 0.1																																																																																																																																																																																																																																																																																																																																																																																																																																																																																																																																																																																																																																																																																																																																																																																																																																																																																																																																																																																																																																																																																																																																																																																																																																																																																																																																																																																												
XXX 9.80	XXE 0.1																																																																																																																																																																																																																																																																																																																																																																																																																																																																																																																																																																																																																																																																																																																																																																																																																																																																																																																																																																																																																																																																																																																																																																																																																																																																																																																																																																																												
XXX 9.85	XXE 0.1																																																																																																																																																																																																																																																																																																																																																																																																																																																																																																																																																																																																																																																																																																																																																																																																																																																																																																																																																																																																																																																																																																																																																																																																																																																																																																																																																																																												
XXX 9.90	XXE 0.1																																																																																																																																																																																																																																																																																																																																																																																																																																																																																																																																																																																																																																																																																																																																																																																																																																																																																																																																																																																																																																																																																																																																																																																																																																																																																																																																																																																												
XXX 9.95	XXE 0.1																																																																																																																																																																																																																																																																																																																																																																																																																																																																																																																																																																																																																																																																																																																																																																																																																																																																																																																																																																																																																																																																																																																																																																																																																																																																																																																																																																																												
XXX 10.00	XXE 0.1																																																																																																																																																																																																																																																																																																																																																																																																																																																																																																																																																																																																																																																																																																																																																																																																																																																																																																																																																																																																																																																																																																																																																																																																																																																																																																																																																																																												
<table border="1" style="width: 100%; border-collapse: collapse;"> <tr> <td style="width: 20%;">TITLE</td> <td colspan="5">WEIGHTS YOKE</td> </tr> <tr> <td style="width: 20%;">DRAWN</td> <td colspan="5">V. LE BOFFE</td> </tr> <tr> <td style="width: 20%;">CHECKED</td> <td colspan="5">V. LE BOFFE</td> </tr> <tr> <td style="width: 20%;">DESIGNER</td> <td colspan="5">V. LE BOFFE</td> </tr> <tr> <td style="width: 20%;">DATE</td> <td colspan="5">04/09/2018</td> </tr> <tr> <td style="width: 20%;">APPROVALS</td> <td colspan="5"></td> </tr> <tr> <td colspan="6" style="text-align: center;"> <table border="1" style="width: 100%; border-collapse: collapse;"> <tr> <td style="width: 20%;">PART</td> <td style="width: 20%;">FINAL</td> <td style="width: 20%;">NEXT STEP 1</td> <td style="width: 20%;">NEXT STEP 2</td> <td style="width: 20%;">USED ON</td> <td style="width: 20%;">APPLICATION</td> </tr> <tr> <td style="text-align: center;">-1</td> <td style="text-align: center;">1</td> <td style="text-align: center;">1299307-1</td> <td style="text-align: center;">NEXT STEP 2</td> <td style="text-align: center;">USED ON</td> <td style="text-align: center;">APPLICATION</td> </tr> <tr> <td style="text-align: center;">PART DASH</td> <td style="text-align: center;">QTY RECD</td> <td style="text-align: center;">PER ASSY</td> <td colspan="3"></td> </tr> <tr> <td style="text-align: center;">NO.</td> <td style="text-align: center;">PER ASSY</td> <td colspan="4"></td> </tr> </table> </td> </tr> <tr> <td colspan="6" style="text-align: center;"> <table border="1" style="width: 100%; border-collapse: collapse;"> <tr> <td style="width: 20%;">SIZE</td> <td style="width: 20%;">CAGE CODE</td> <td style="width: 20%;">DWG. NO.</td> <td style="width: 20%;">REV.</td> <td style="width: 20%;">SCALE</td> <td style="width: 20%;">SHEET</td> </tr> <tr> <td style="text-align: center;">D</td> <td style="text-align: center;">25305</td> <td style="text-align: center;">1299321</td> <td style="text-align: center;">-</td> <td style="text-align: center;">1/1</td> <td style="text-align: center;">1 OF 1</td> </tr> </table> </td> </tr> </table>								TITLE	WEIGHTS YOKE					DRAWN	V. LE BOFFE					CHECKED	V. LE BOFFE					DESIGNER	V. LE BOFFE					DATE	04/09/2018					APPROVALS						<table border="1" style="width: 100%; border-collapse: collapse;"> <tr> <td style="width: 20%;">PART</td> <td style="width: 20%;">FINAL</td> <td style="width: 20%;">NEXT STEP 1</td> <td style="width: 20%;">NEXT STEP 2</td> <td style="width: 20%;">USED ON</td> <td style="width: 20%;">APPLICATION</td> </tr> <tr> <td style="text-align: center;">-1</td> <td style="text-align: center;">1</td> <td style="text-align: center;">1299307-1</td> <td style="text-align: center;">NEXT STEP 2</td> <td style="text-align: center;">USED ON</td> <td style="text-align: center;">APPLICATION</td> </tr> <tr> <td style="text-align: center;">PART DASH</td> <td style="text-align: center;">QTY RECD</td> <td style="text-align: center;">PER ASSY</td> <td colspan="3"></td> </tr> <tr> <td style="text-align: center;">NO.</td> <td style="text-align: center;">PER ASSY</td> <td colspan="4"></td> </tr> </table>						PART	FINAL	NEXT STEP 1	NEXT STEP 2	USED ON	APPLICATION	-1	1	1299307-1	NEXT STEP 2	USED ON	APPLICATION	PART DASH	QTY RECD	PER ASSY				NO.	PER ASSY					<table border="1" style="width: 100%; border-collapse: collapse;"> <tr> <td style="width: 20%;">SIZE</td> <td style="width: 20%;">CAGE CODE</td> <td style="width: 20%;">DWG. NO.</td> <td style="width: 20%;">REV.</td> <td style="width: 20%;">SCALE</td> <td style="width: 20%;">SHEET</td> </tr> <tr> <td style="text-align: center;">D</td> <td style="text-align: center;">25305</td> <td style="text-align: center;">1299321</td> <td style="text-align: center;">-</td> <td style="text-align: center;">1/1</td> <td style="text-align: center;">1 OF 1</td> </tr> </table>						SIZE	CAGE CODE	DWG. NO.	REV.	SCALE	SHEET	D	25305	1299321	-	1/1	1 OF 1																																																																																																																																																																																																																																																																																																																																																																																																																																																																																																																																																																																																																																																																																																																																																																																																																																																																																																																																																																																																																																																																																																																																																																																																																																																																																																		
TITLE	WEIGHTS YOKE																																																																																																																																																																																																																																																																																																																																																																																																																																																																																																																																																																																																																																																																																																																																																																																																																																																																																																																																																																																																																																																																																																																																																																																																																																																																																																																																																																																												
DRAWN	V. LE BOFFE																																																																																																																																																																																																																																																																																																																																																																																																																																																																																																																																																																																																																																																																																																																																																																																																																																																																																																																																																																																																																																																																																																																																																																																																																																																																																																																																																																																												
CHECKED	V. LE BOFFE																																																																																																																																																																																																																																																																																																																																																																																																																																																																																																																																																																																																																																																																																																																																																																																																																																																																																																																																																																																																																																																																																																																																																																																																																																																																																																																																																																																												
DESIGNER	V. LE BOFFE																																																																																																																																																																																																																																																																																																																																																																																																																																																																																																																																																																																																																																																																																																																																																																																																																																																																																																																																																																																																																																																																																																																																																																																																																																																																																																																																																																																												
DATE	04/09/2018																																																																																																																																																																																																																																																																																																																																																																																																																																																																																																																																																																																																																																																																																																																																																																																																																																																																																																																																																																																																																																																																																																																																																																																																																																																																																																																																																																																												
APPROVALS																																																																																																																																																																																																																																																																																																																																																																																																																																																																																																																																																																																																																																																																																																																																																																																																																																																																																																																																																																																																																																																																																																																																																																																																																																																																																																																																																																																													
<table border="1" style="width: 100%; border-collapse: collapse;"> <tr> <td style="width: 20%;">PART</td> <td style="width: 20%;">FINAL</td> <td style="width: 20%;">NEXT STEP 1</td> <td style="width: 20%;">NEXT STEP 2</td> <td style="width: 20%;">USED ON</td> <td style="width: 20%;">APPLICATION</td> </tr> <tr> <td style="text-align: center;">-1</td> <td style="text-align: center;">1</td> <td style="text-align: center;">1299307-1</td> <td style="text-align: center;">NEXT STEP 2</td> <td style="text-align: center;">USED ON</td> <td style="text-align: center;">APPLICATION</td> </tr> <tr> <td style="text-align: center;">PART DASH</td> <td style="text-align: center;">QTY RECD</td> <td style="text-align: center;">PER ASSY</td> <td colspan="3"></td> </tr> <tr> <td style="text-align: center;">NO.</td> <td style="text-align: center;">PER ASSY</td> <td colspan="4"></td> </tr> </table>						PART	FINAL	NEXT STEP 1	NEXT STEP 2	USED ON	APPLICATION	-1	1	1299307-1	NEXT STEP 2	USED ON	APPLICATION	PART DASH	QTY RECD	PER ASSY				NO.	PER ASSY																																																																																																																																																																																																																																																																																																																																																																																																																																																																																																																																																																																																																																																																																																																																																																																																																																																																																																																																																																																																																																																																																																																																																																																																																																																																																																																																																																				
PART	FINAL	NEXT STEP 1	NEXT STEP 2	USED ON	APPLICATION																																																																																																																																																																																																																																																																																																																																																																																																																																																																																																																																																																																																																																																																																																																																																																																																																																																																																																																																																																																																																																																																																																																																																																																																																																																																																																																																																																																								
-1	1	1299307-1	NEXT STEP 2	USED ON	APPLICATION																																																																																																																																																																																																																																																																																																																																																																																																																																																																																																																																																																																																																																																																																																																																																																																																																																																																																																																																																																																																																																																																																																																																																																																																																																																																																																																																																																																								
PART DASH	QTY RECD	PER ASSY																																																																																																																																																																																																																																																																																																																																																																																																																																																																																																																																																																																																																																																																																																																																																																																																																																																																																																																																																																																																																																																																																																																																																																																																																																																																																																																																																																																											
NO.	PER ASSY																																																																																																																																																																																																																																																																																																																																																																																																																																																																																																																																																																																																																																																																																																																																																																																																																																																																																																																																																																																																																																																																																																																																																																																																																																																																																																																																																																																												
<table border="1" style="width: 100%; border-collapse: collapse;"> <tr> <td style="width: 20%;">SIZE</td> <td style="width: 20%;">CAGE CODE</td> <td style="width: 20%;">DWG. NO.</td> <td style="width: 20%;">REV.</td> <td style="width: 20%;">SCALE</td> <td style="width: 20%;">SHEET</td> </tr> <tr> <td style="text-align: center;">D</td> <td style="text-align: center;">25305</td> <td style="text-align: center;">1299321</td> <td style="text-align: center;">-</td> <td style="text-align: center;">1/1</td> <td style="text-align: center;">1 OF 1</td> </tr> </table>						SIZE	CAGE CODE	DWG. NO.	REV.	SCALE	SHEET	D	25305	1299321	-	1/1	1 OF 1																																																																																																																																																																																																																																																																																																																																																																																																																																																																																																																																																																																																																																																																																																																																																																																																																																																																																																																																																																																																																																																																																																																																																																																																																																																																																																																																																																												
SIZE	CAGE CODE	DWG. NO.	REV.	SCALE	SHEET																																																																																																																																																																																																																																																																																																																																																																																																																																																																																																																																																																																																																																																																																																																																																																																																																																																																																																																																																																																																																																																																																																																																																																																																																																																																																																																																																																																								
D	25305	1299321	-	1/1	1 OF 1																																																																																																																																																																																																																																																																																																																																																																																																																																																																																																																																																																																																																																																																																																																																																																																																																																																																																																																																																																																																																																																																																																																																																																																																																																																																																																																																																																																								



8

7

6

5

4

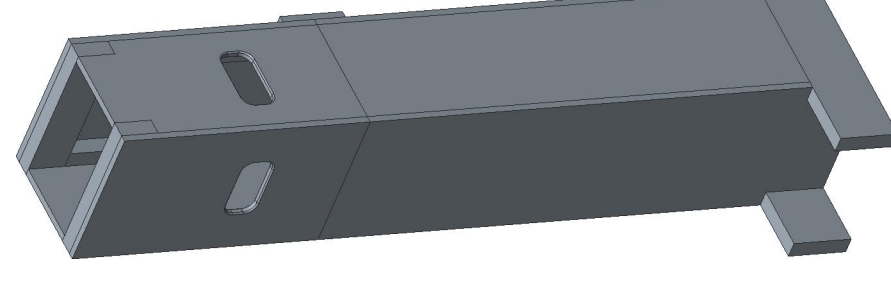
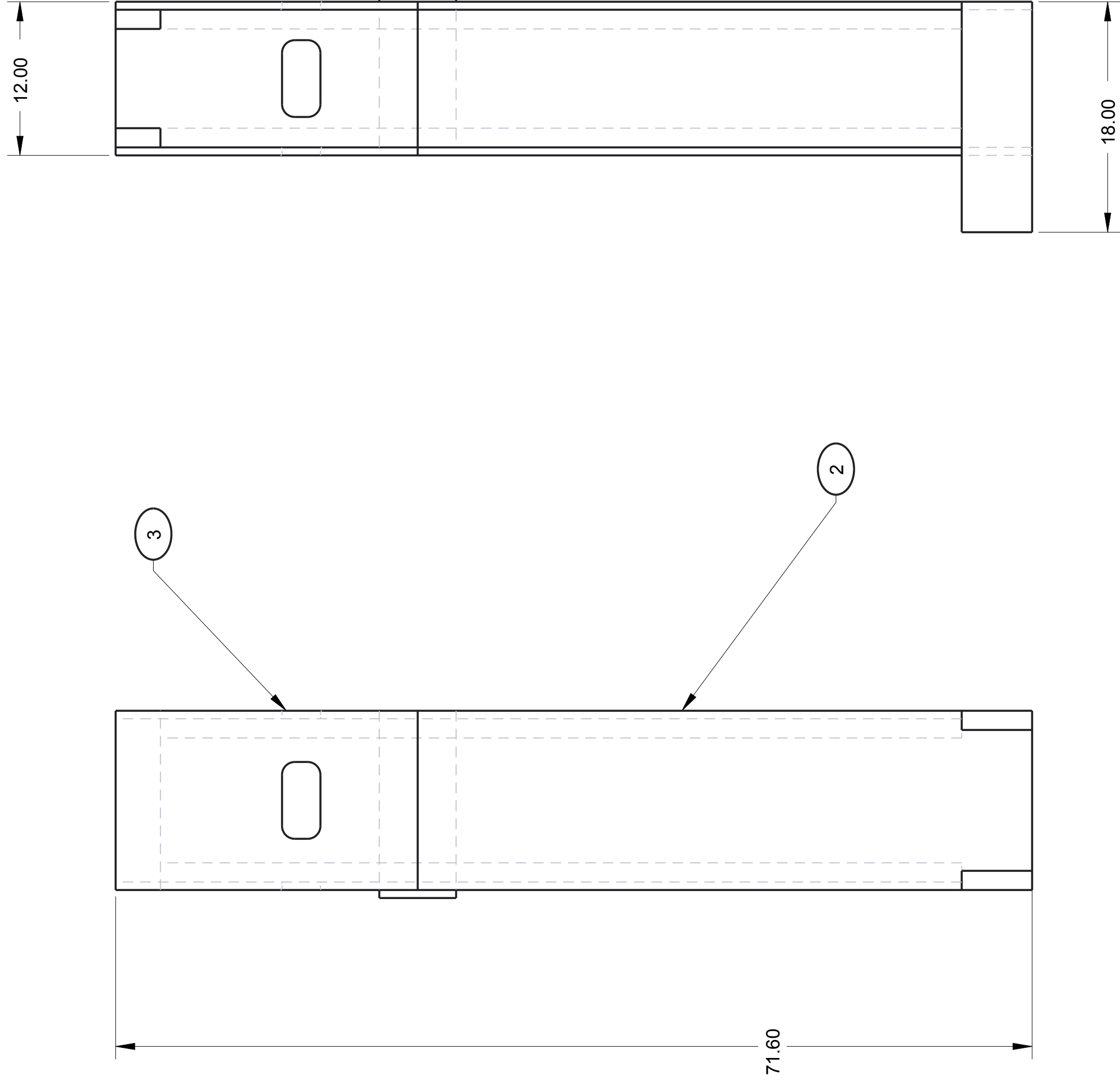
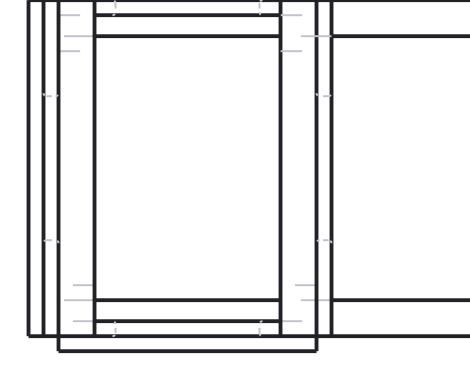
3

1299323

1

NOTES:

- 1. INTERPRET THIS DRAWING PER DOD-D-1000 AND DOD-STD-100
- 2. INTERPRET DIMENSIONS AND TOLERANCES PER ANSI Y14.5 (LATEST REVISION AT TIME OF DRAWING RELEASE)
- 3. REMOVE ALL BURRS AND SHARP EDGES
- 4. SURFACE ROUGHNESS OF 63 MICRORINCHES
- 5. NO FIOS REQUIRED
- 6. NO DEVIATIONS WITHOUT APPROVAL OF TPE
- 7. ALL FASTENERS ARE CONSIDERED NON SAFETY CRITICAL AND SHALL MEET THE MOST CURRENT REVISION OF: ASME B18.3, A574, A835, ASTM F912 AS APPROPRIATE. UNLESS OTHERWISE NOTED.



ISO VIEW  
SCALE 1/16

CANTILIVER BEAM SUPPORT ASSEMBLY (1 REQ'D.)

SCALE 1/8

AR	QTY REQ'D	CAGE CODE	PART OR IDENTIFYING NO.	NOMENCLATURE DESCRIPTION	MATERIAL SPECIFICATION	ITEM NO.
-15				WOOD SCREWS 1-5/8 LG	MCMASTER CARR OR EQUIV.	15
-14				WOOD SCREWS 2" LG	MCMASTER CARR OR EQUIV.	14
-13				6 X 10.75 X 5/8 NOM PLYWOOD	PLYWOOD	13
-12				6 X 14 X 5/8 NOM PLYWOOD	PLYWOOD	12
-11				2 X 4 NOM. X 14" LG	PINE	11
-10				2 X 2 NOM. X 20.1" LG	PINE	10
-9				7.75X 23.60 X 5/8 NOM. PLYWOOD	PLYWOOD	9
-8				14 X 23.6 X 5/8 NOM PLYWOOD	PLYWOOD	8
-7				2 X 2 NOM. X 42.50" LG	PINE	7
-6				14.0 X 48.0 X 5/8 NOM. PLYWOOD	PLYWOOD	6
-5				10.75 X 42.50 X 5/8 NOM. PLYWOOD	PLYWOOD	5
-4				2" X 6" NOM. X 18" LG	PINE	4
-3				UPPER SUPPORT BOX ASSEMBLY		3
-2				LOWER SUPPORT BOX ASSEMBLY		2
-1				CANTILIVER BEAM SUPPORT ASSEMBLY		1

UNLESS OTHERWISE SPECIFIED DIMENSIONS ARE IN INCHES		CONTRACT NO.	
DECIMALS	.006		
ANGULAR	.X1		
TREATMENT	NO NOT SCALE DRAWING		
FINISH	N.A.		
SIMILAR TO	N.A.		
PART DASH NO.			
NEXT FINAL QTY REQ'D PER ASSY	1		
NEXT STEP 2	1299324		
USED ON			
APPLICATION			

PARTS LIST		NATIONAL AERONAUTICS & SPACE ADMINISTRATION LANGLEY RESEARCH CENTER HAMPTON, VA 23681-0001	
TITLE CANTILIVER BEAM SUPPORT ASSEMBLY			
SIZE	CAGE CODE	DWG. NO.	REV.
D	25305	1299323	-
SCALE	1/180		

APPROVALS		DATE	
DRAWN	V. LE BOFFE		06/25/2018
CHECKED			
DESIGNER			
LEAD ENGR.	V. LE BOFFE		06/25/18
BRANCH			

8

7

6

5

4

3

2

1

1 OF 2 SHEET  
1299323  
1/180

D

C

B

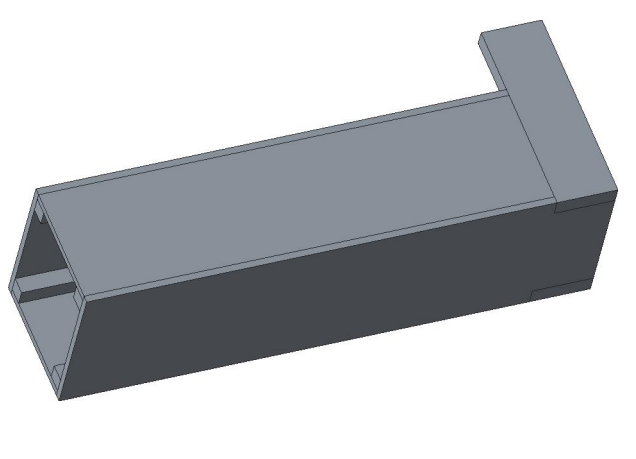
A

D

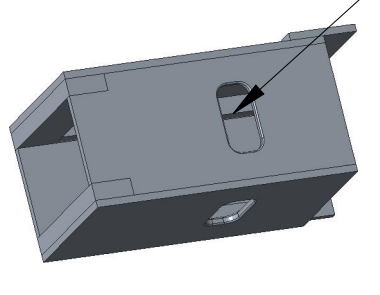
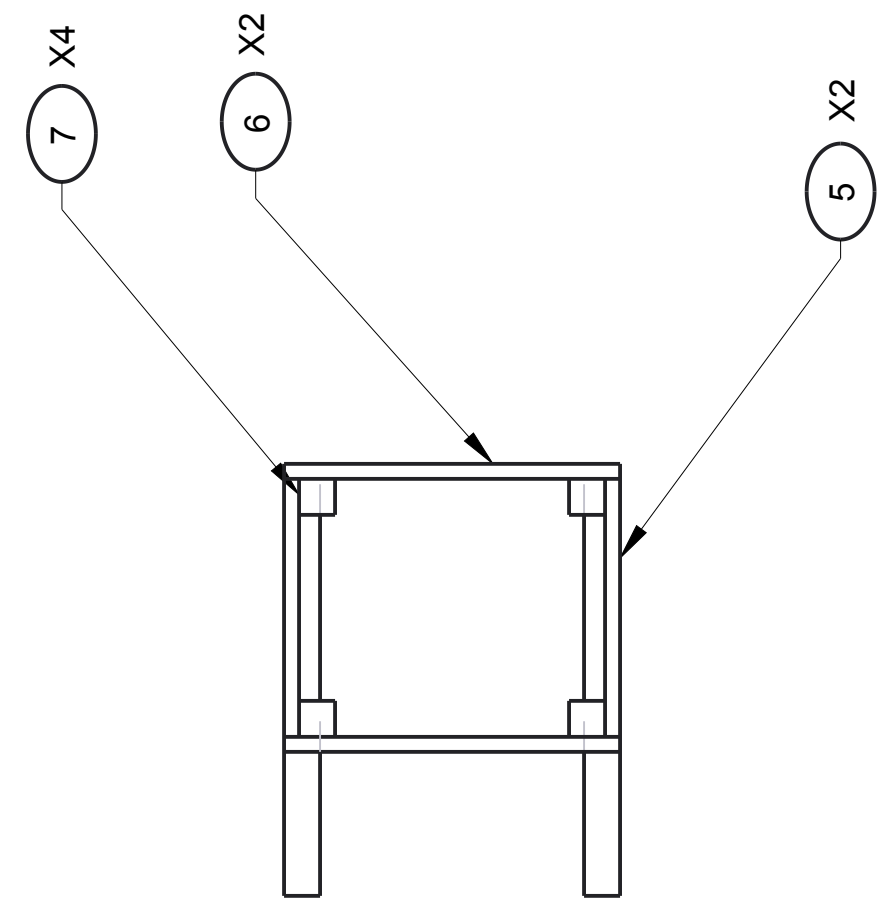
C

B

A

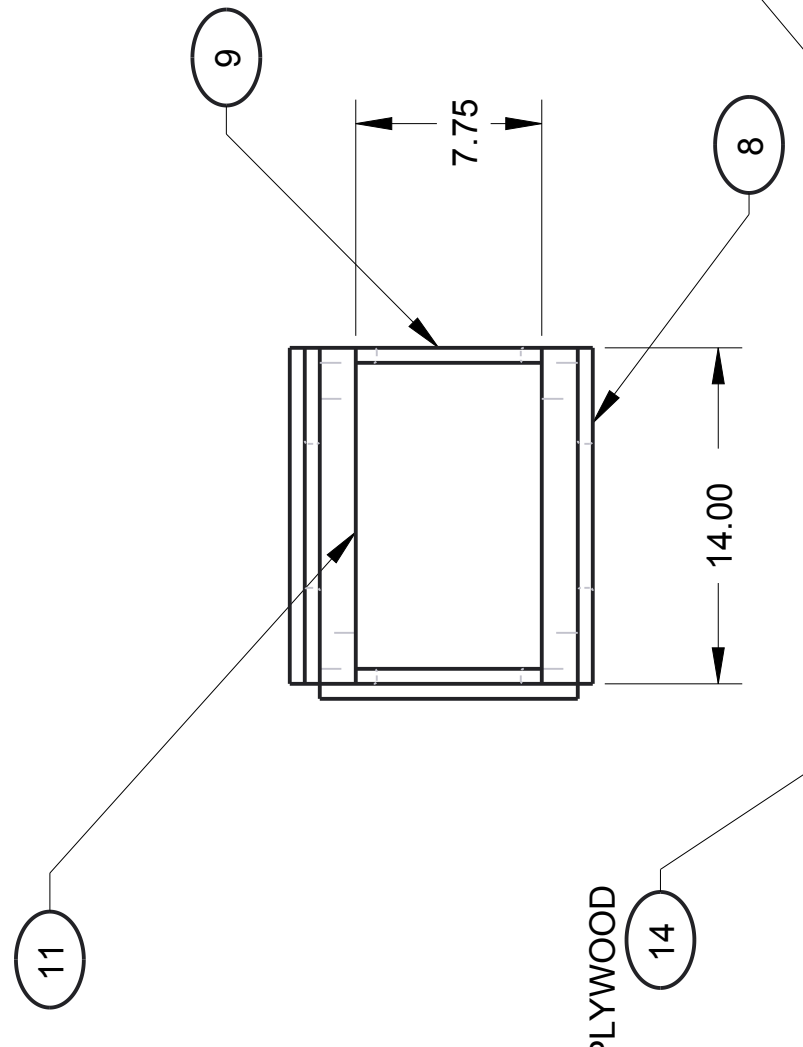


**ISO VIEW**  
SCALE 1/16



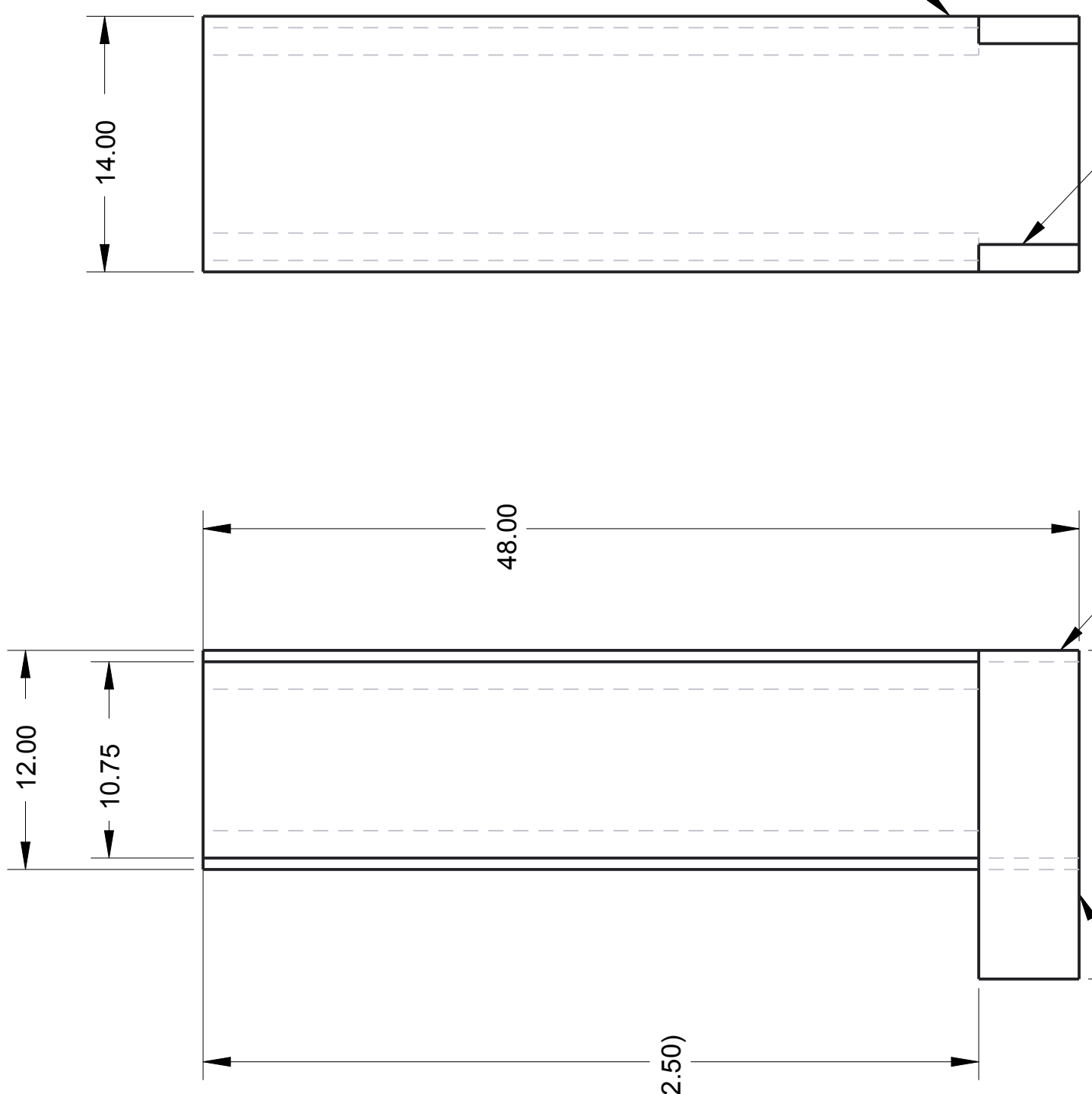
**ISO VIEW**  
SCALE 1/16

10 X4



15 ITEM 15 NOT SHOWN  
USE WOOD SCREW TO SECURE TO PLYWOOD TO 2X2  
4" SPACING ON CENTER OF 2X2

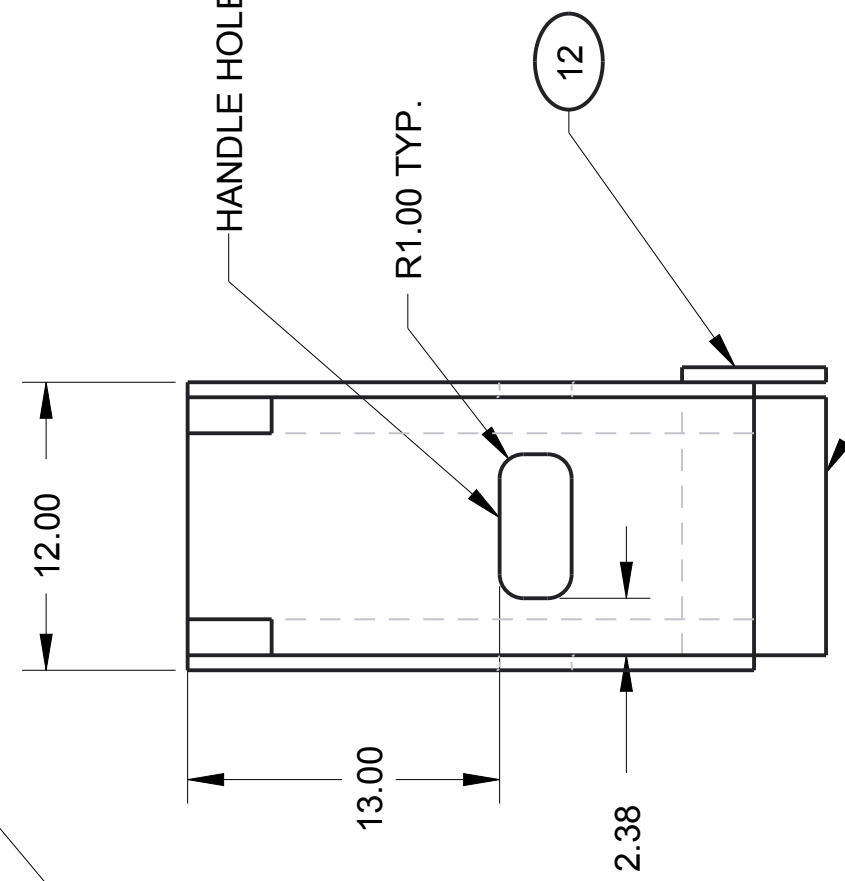
14  
USE 3 WOOD SCREW PER SIDE TO SECURE TO PLYWOOD  
EVENLY SPACED .25" FROM EDGE  
ITEM 14 NOT SHOWN



NOTCH AROUND 2X6

14  
USE 3 WOOD SCREW PER SIDE TO SECURE TO PLYWOOD  
EVENLY SPACED .25" FROM EDGE  
ITEM 14 NOT SHOWN

15  
ITEM 15 NOT SHOWN  
USE WOOD SCREW TO SECURE TO PLYWOOD TO 2X2  
4" SPACING ON CENTER OF 2X2

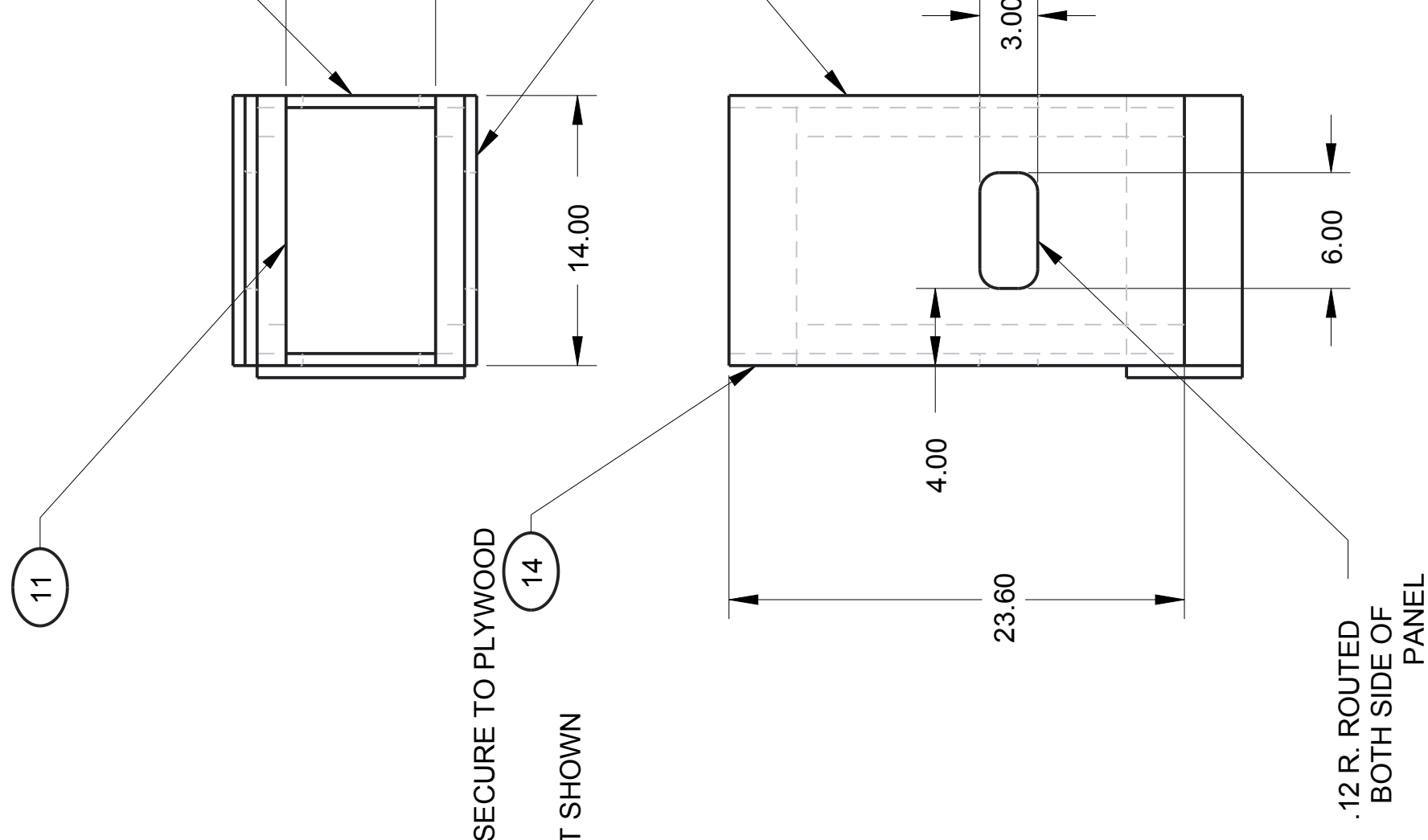


HANDLE HOLE 4 REQUIRED.

2X

**-2 LOWER SUPPORT BOX ASSEMBLY (1 REQ'D.)**  
SCALE 1/8

13  
USE -14 TO SECURE -2 TO -3  
AT INSTALLATION SET-UP



**-3 UPPER SUPPORT BOX ASSEMBLY (1 REQ'D.)**  
SCALE 1/8

SIZE/CAGE CODE	DWG. NO.	REV.
D 25305	1299323	
DRAWN	CHECKED	SHEET
V. LE BOFFE		2 OF 2

**NOTES:**

1. INTERPRET THIS DRAWING PER DOD-D-1000 AND DOD-STD-100
2. INTERPRET DIMENSIONS AND TOLERANCES PER ANSI Y14.5 (LATEST REVISION AT TIME OF DRAWING RELEASE)
3. REMOVE ALL BURRS AND SHARP EDGES
4. SURFACE ROUGHNESS OF .63 MICROINCHES
5. NO FIOS REQUIRED
6. NO DEVIATIONS WITHOUT APPROVAL OF TPE
7. ALL FASTENERS ARE CONSIDERED NON SAFETY CRITICAL AND SHALL MEET THE MOST CURRENT REVISION OF: ASME B18.3, A574, A835, ASTM F912 AS APPROPRIATE; UNLESS OTHERWISE NOTED.

8  
 8.85  
 10.10  
 .45  
 1.00  
 3.25  
 5.00  
 66.00  
 9.63  
 66.00  
 66.00  
 10.55  
 9.96  
 3.25  
 5.00  
 66.00  
 9.63  
 66.00  
 10.55  
 9.96

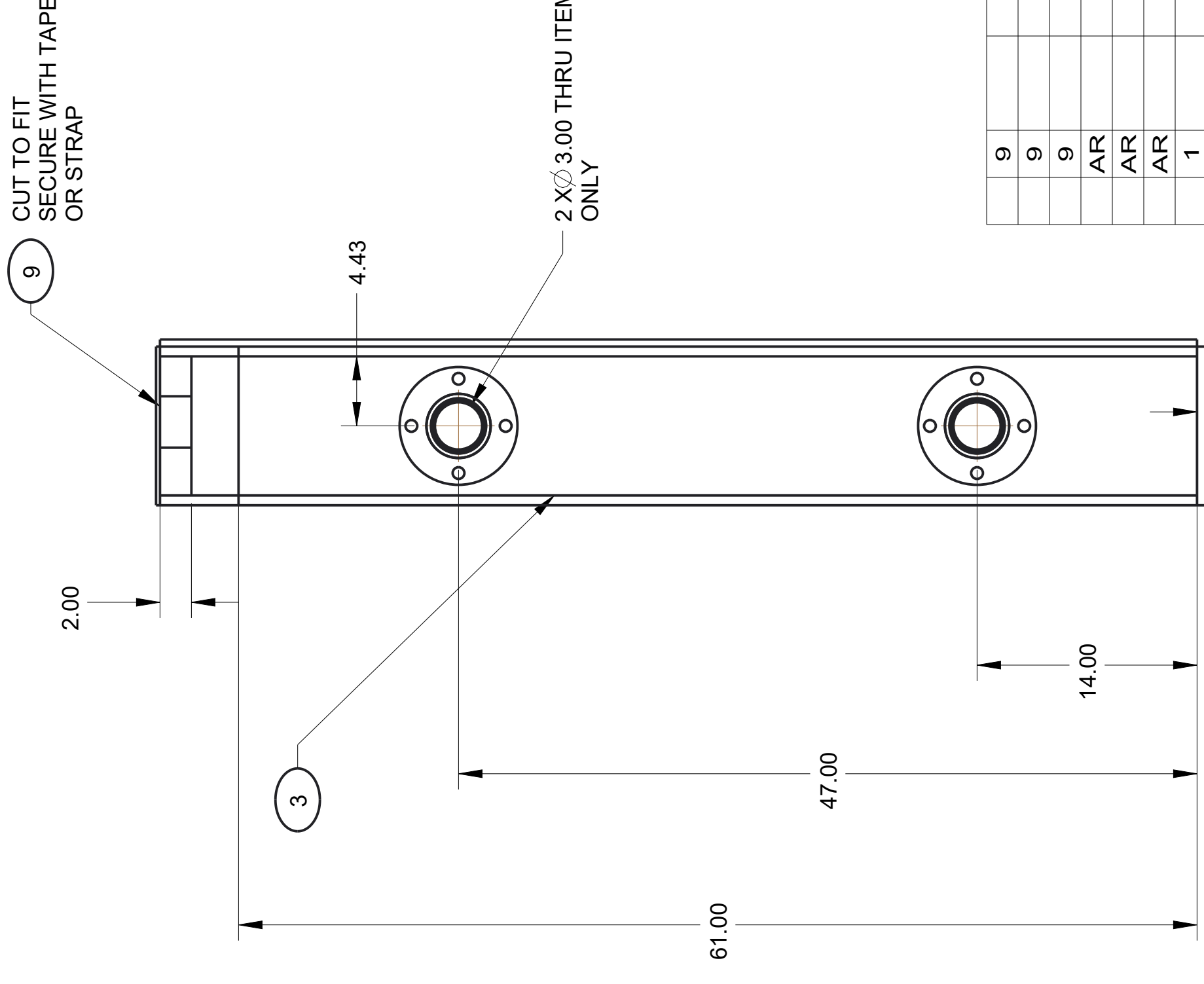
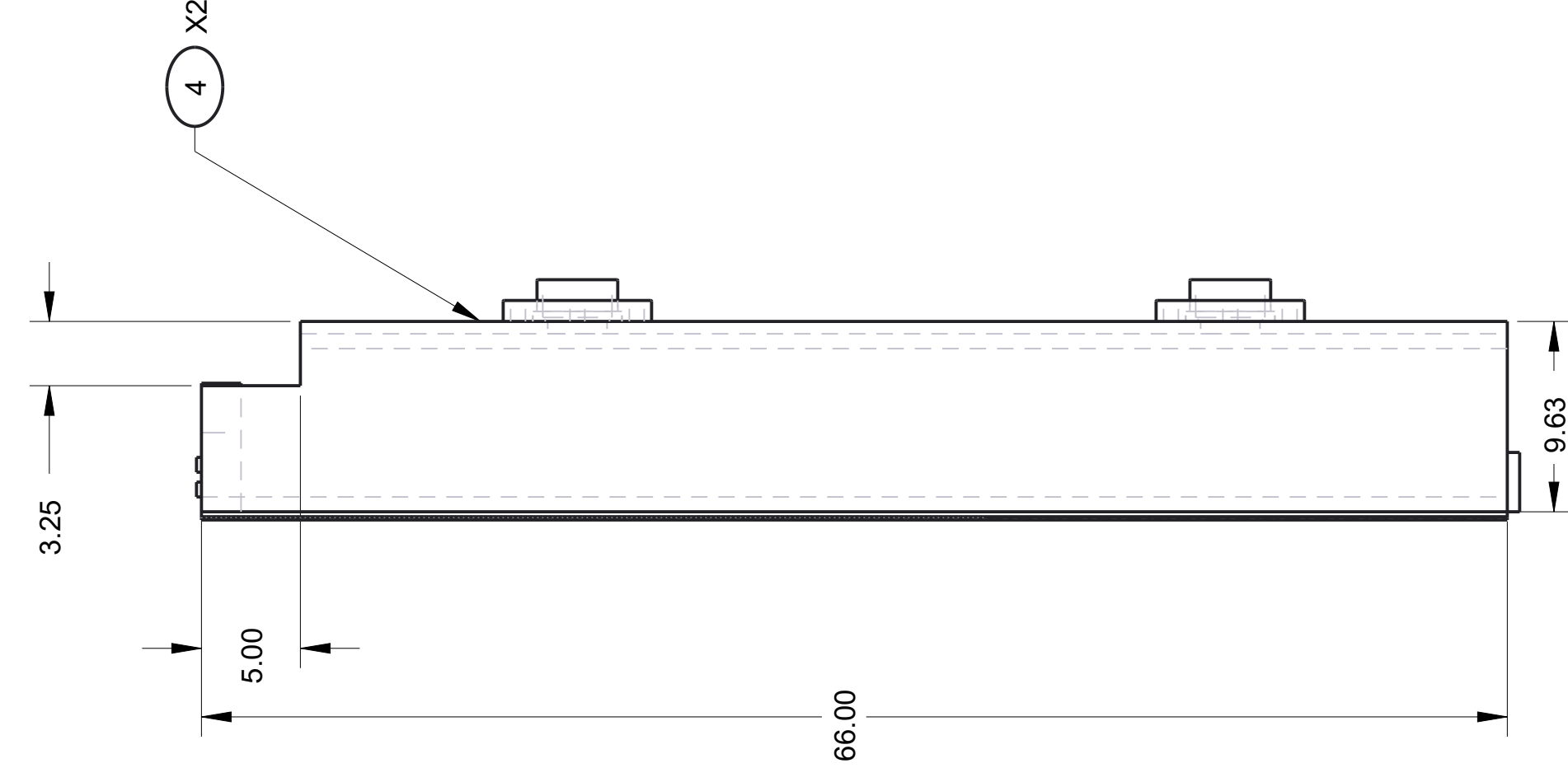
SECURE TO -4 & -1 WITH WOOD SCREWS 4" APART AS SHOWN

7  
 SECURE TO -4 WITH WOOD SCREWS 4" APART AS SHOWN

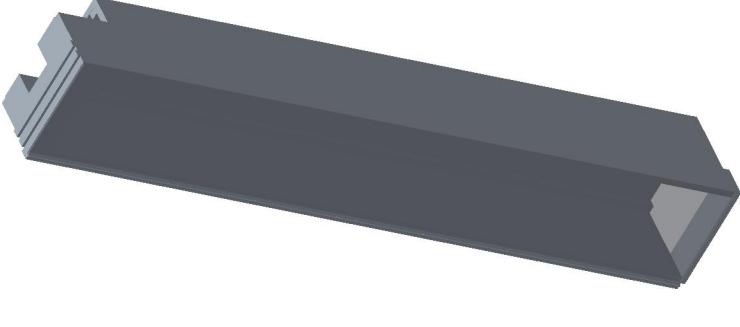
8  
 8.85  
 10.10  
 .45  
 1.00  
 3.25  
 5.00  
 66.00  
 9.63  
 66.00  
 10.55  
 9.96  
 3.25  
 5.00  
 66.00  
 9.63  
 66.00  
 10.55  
 9.96

SECURE TO -4 & -1 WITH WOOD SCREWS 4" APART AS SHOWN

5

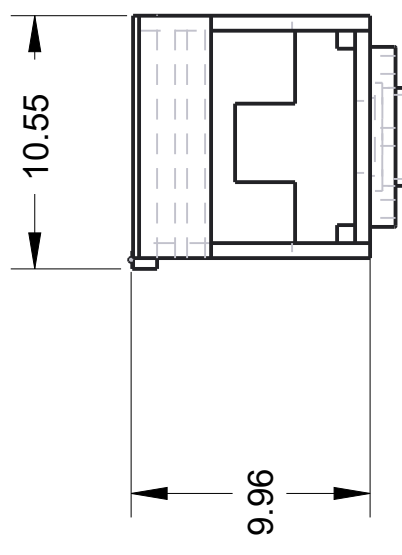


ISO VIEW  
 SCALE 1/16



ITEMS 11 TO 14 NOT SHOWN

**-1 THERMAL ENCLOSURE ASSEMBLY (1 REQ'D.)**  
 SCALE 1/8



QTY	REGD	CAGE CODE	PART OR IDENTIFYING NO.	NOMENCLATURE DESCRIPTION	MATERIAL SPECIFICATION	ITEM NO.
9			-18	BALLAST ANGLE MIRROR	6061 T6 AL	18
9			-17	BALLAST ANGLE	6061 T6 AL	17
9			-16	BALLAST PLATE	6061 T6 AL	16
AR				RIGID INSULATION 1"		15
AR				ADHESIVE/TAPE		14
AR				WOOD SCREWS 2" LONG		13
1				DOOR LATCH		12
2				FLOW FLANGES		11
1			-10	BASE FILL 5/8"	FOAM 10#	10
1			-9	TOP COVER 2.00"	FOAM 10#	9
2			-8	CORNER BLOCK 66.00" LG	2.00" X 2.00" PINE	8
1			-7	HINGE BLOCK 66.00" LG.	4.50" X 1.00" PINE	7
1			1582A113	DOOR HINGE 66.00" LG.	MC MASTER CARR OR EQUIV.	6
1			-5	ENCLOSURE DOOR 10.1 0" x 66.00"	.25 PLEXYGGLASS	5
2			-4	ENCLOSURE SIDE WALL 9.63" X 66.00"	5/8 NOM. PLYBOARD	4
1			-3	ENCLOSURE REAR WALL 8.85" X 61.00"	5/8 NOM. PLYBOARD	3
1			-2	STRING POT MOUNT	6061 T6 AL	2
1			-1	THERMAL ENCLOSURE ASSEMBLY		1

UNLESS OTHERWISE SPECIFIED DIMENSIONS ARE IN INCHES		CONTRACT NO.	
DECIMALS	ANGULAR		
XXX 0.02	.XXE 0.1		
XX 0.05	.XE 0.1		
XX 0.05	.XE 0.1		
XXX 0.02	.XXE 0.1		
XX 0.05	.XE 0.1		
XX 0.05	.XE 0.1		
XXX 0.02	.XXE 0.1		
XX 0.05	.XE 0.1		
XX 0.05	.XE 0.1		
TREATMENT		DATE	
N.A.		07/10/2018	
FINISH		APPROVALS	
N.A.		DRAWN	
		CHECKED	
		DESIGNER	
		LEAD ENGR.	
		BRANCH	
SIMILAR TO		SIZE	
PART DASH		CAGE CODE	
NO.		NO.	
		SCALE	
		1/8	
		DWG. NO.	
		1299324	
		REV.	
		D	
		1 OF 3	

PARTS LIST		NATIONAL AERONAUTICS & SPACE ADMINISTRATION LANGLEY RESEARCH CENTER HAMPTON, VA 23681-0001	
TITLE			
THERMAL ENCLOSURE STRAP CREEP TEST NEXT STEP 2			
QTY RECD PER ASSY	FINAL NEXT ASSY	USED ON	APPLICATION
-2	1	1299325-1	NEXT STEP2
-1	1	1299325-1	NEXT STEP2



8

7

6

5

4

3

2

1

D

C

B

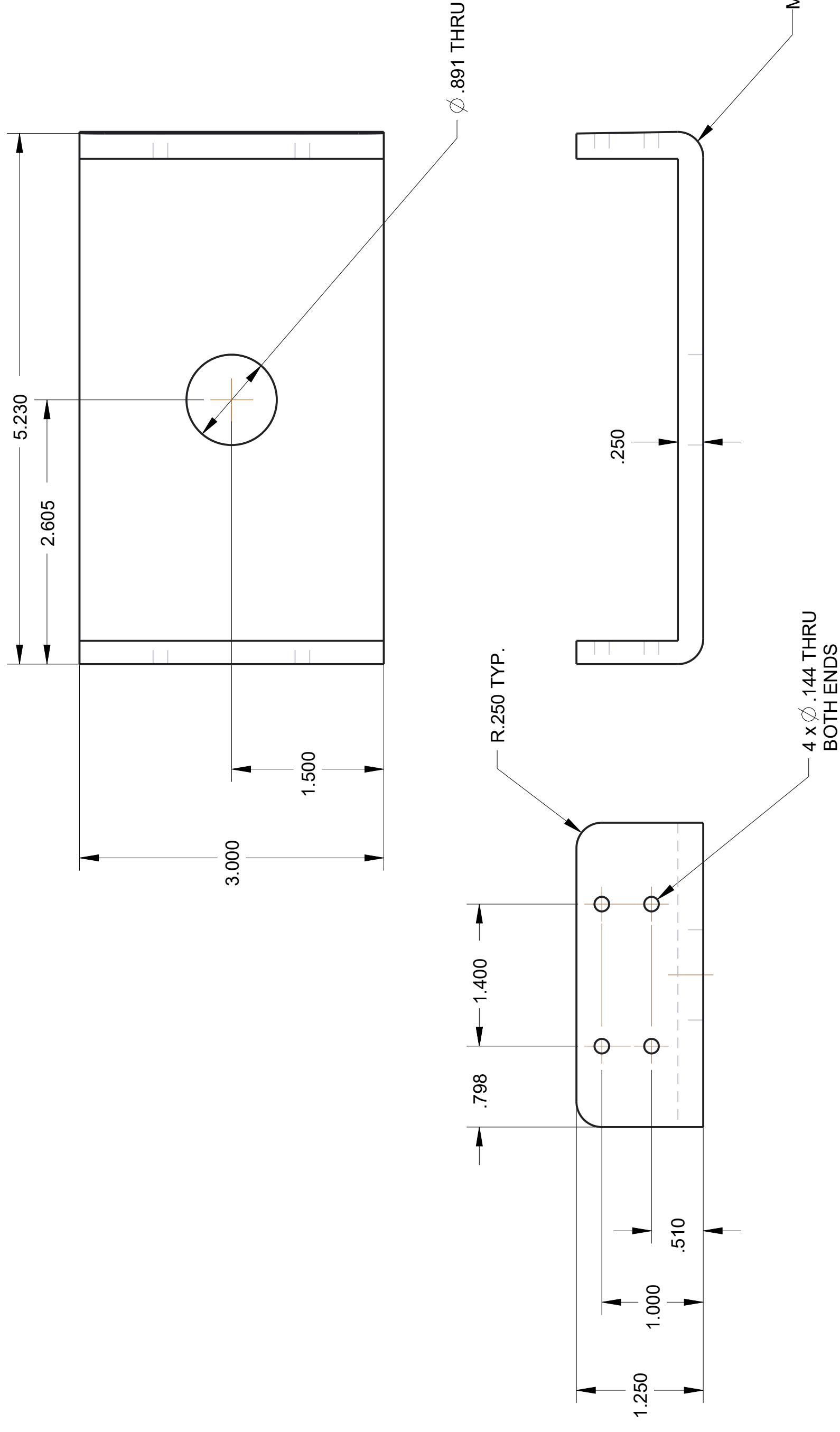
A

D

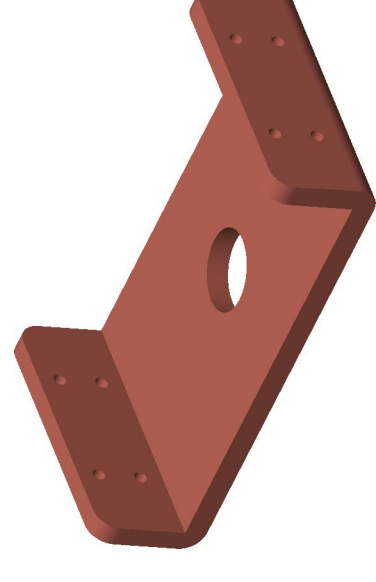
C

B

A



**-2 STRING POT MOUNT**  
SCALE 1/1



**ISO VIEW**  
SCALE 1/2

REV

2

C

1299324

DWG. NO.

25305

CASE

25305

DRAWN

V. LE BOFFE

CHECKED

SIZE/CAGE CODE DWG. NO.

D 25305 1299324

REV

C

SCALE 1/8

SHEET 2 OF 3

8

7

6

5

4

3

2

1

D

C

B

A

8

7

6

5

4

3

2

1

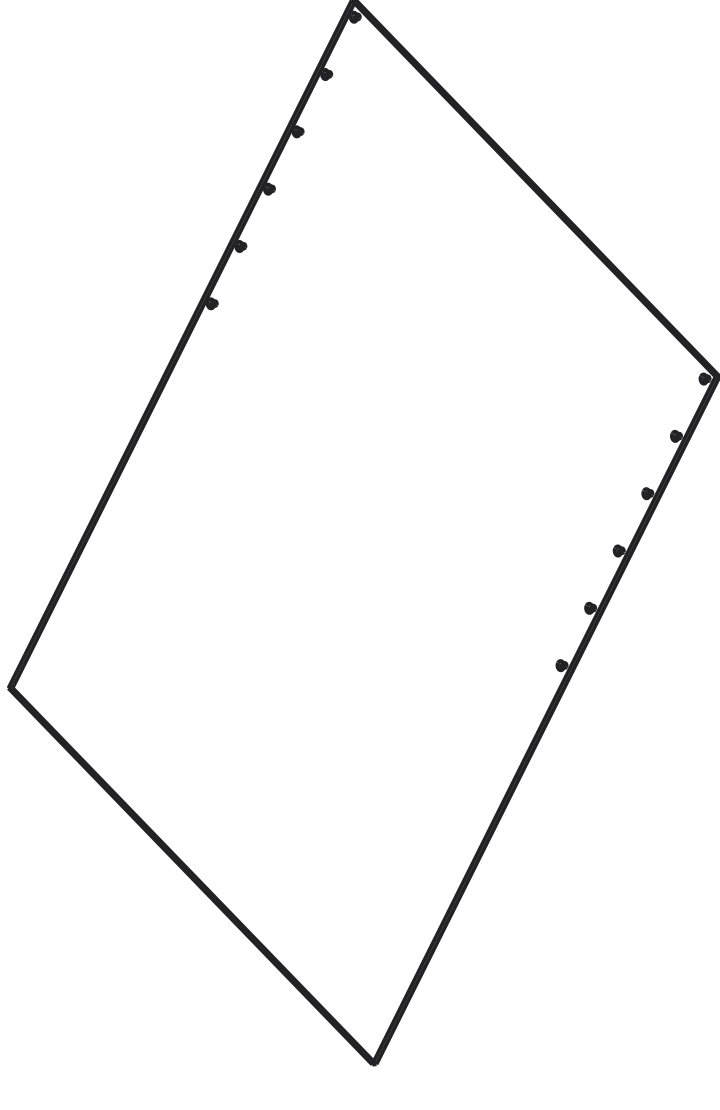
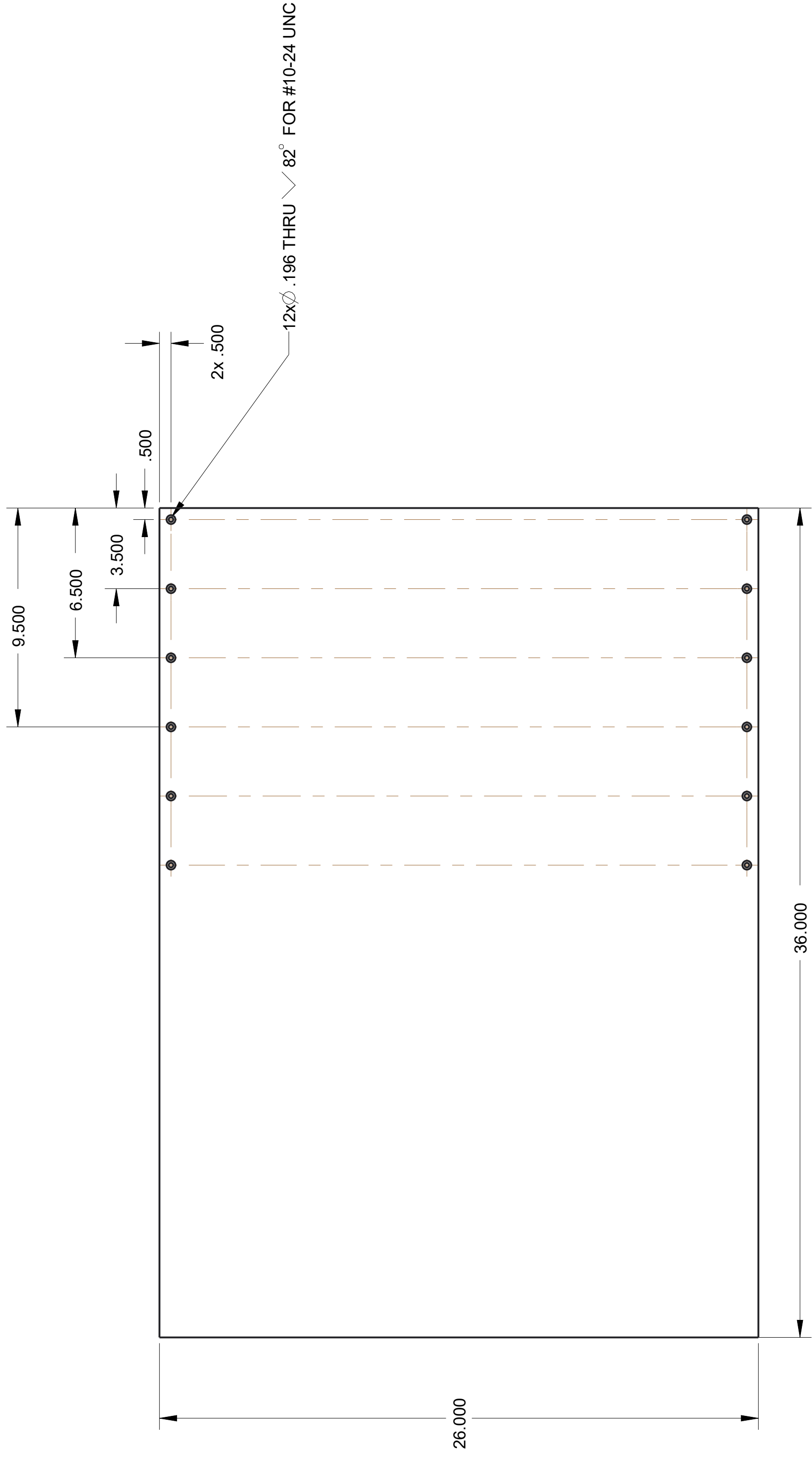
CAGE NO. 25305 DWG. NO. 1299324 SH. 3 REV. C

D

C

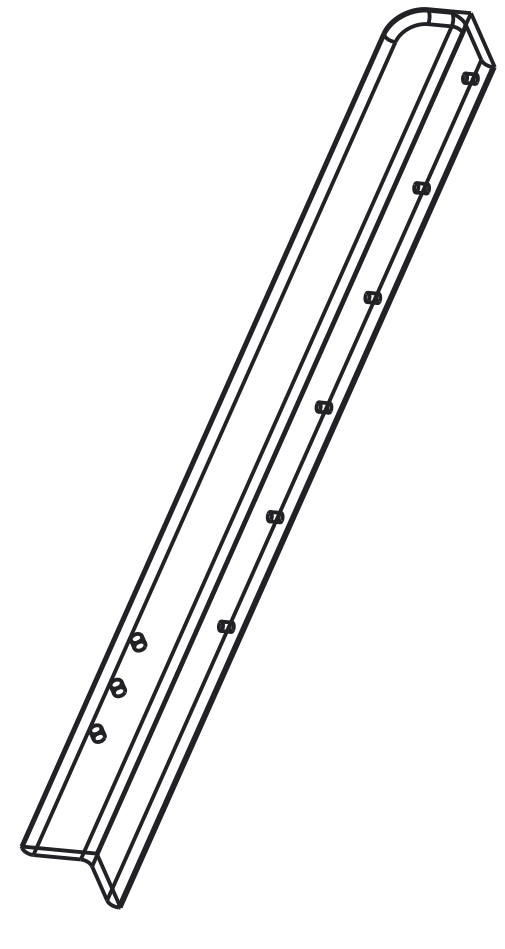
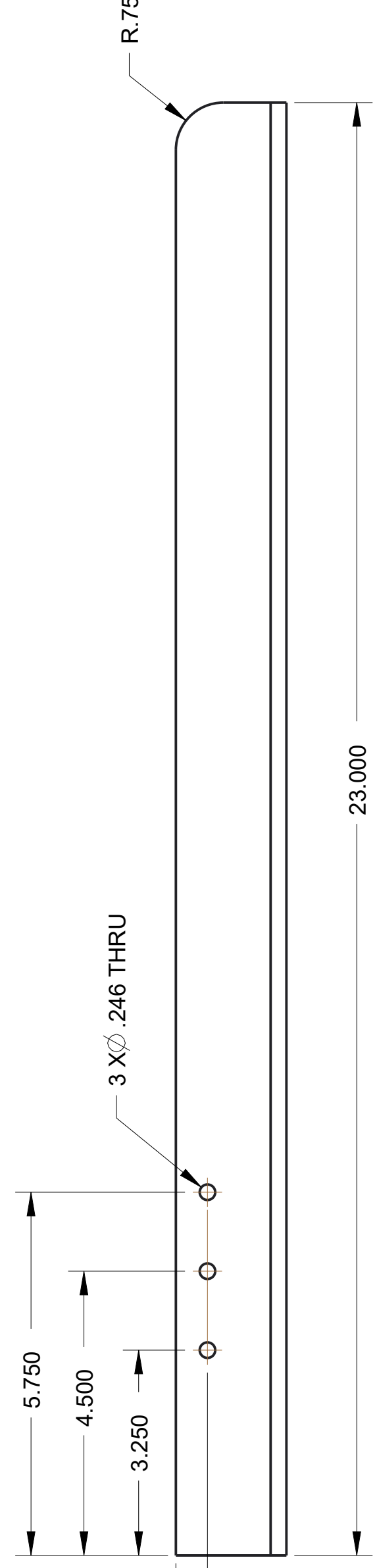
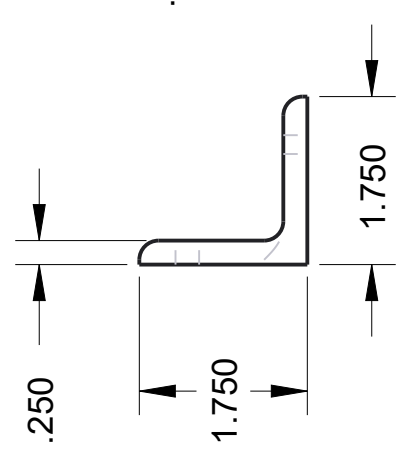
B

A

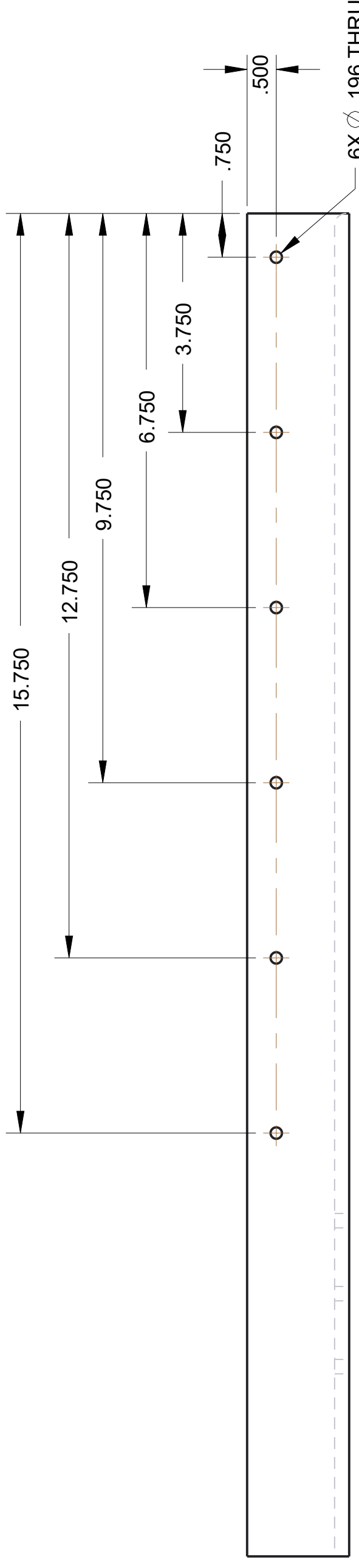


ISO VIEW  
SCALE 1/8

-16 BALLAST PLATE (9 REQ'D.)  
SCALE 1/4



ISO VIEW  
SCALE 1/4



-17 BALLAST ANGLE (9 REQ'D.)  
-18 BALLAST ANGLE MIRROR (9 REQ'D.)  
SCALE 1/2

SCALE 1/2

DRAWN	V. LE BOFFE	CHECKED	
SIZE/CAGE CODE	DWG. NO.	REV.	
D 25305	1299324	C	
SCALE 1/8		SHEET	3 OF 3

8

7

6

5

4

3

2

1

SCALE 1/8 SHEET 3 OF 3

8

7

6

5

4

3

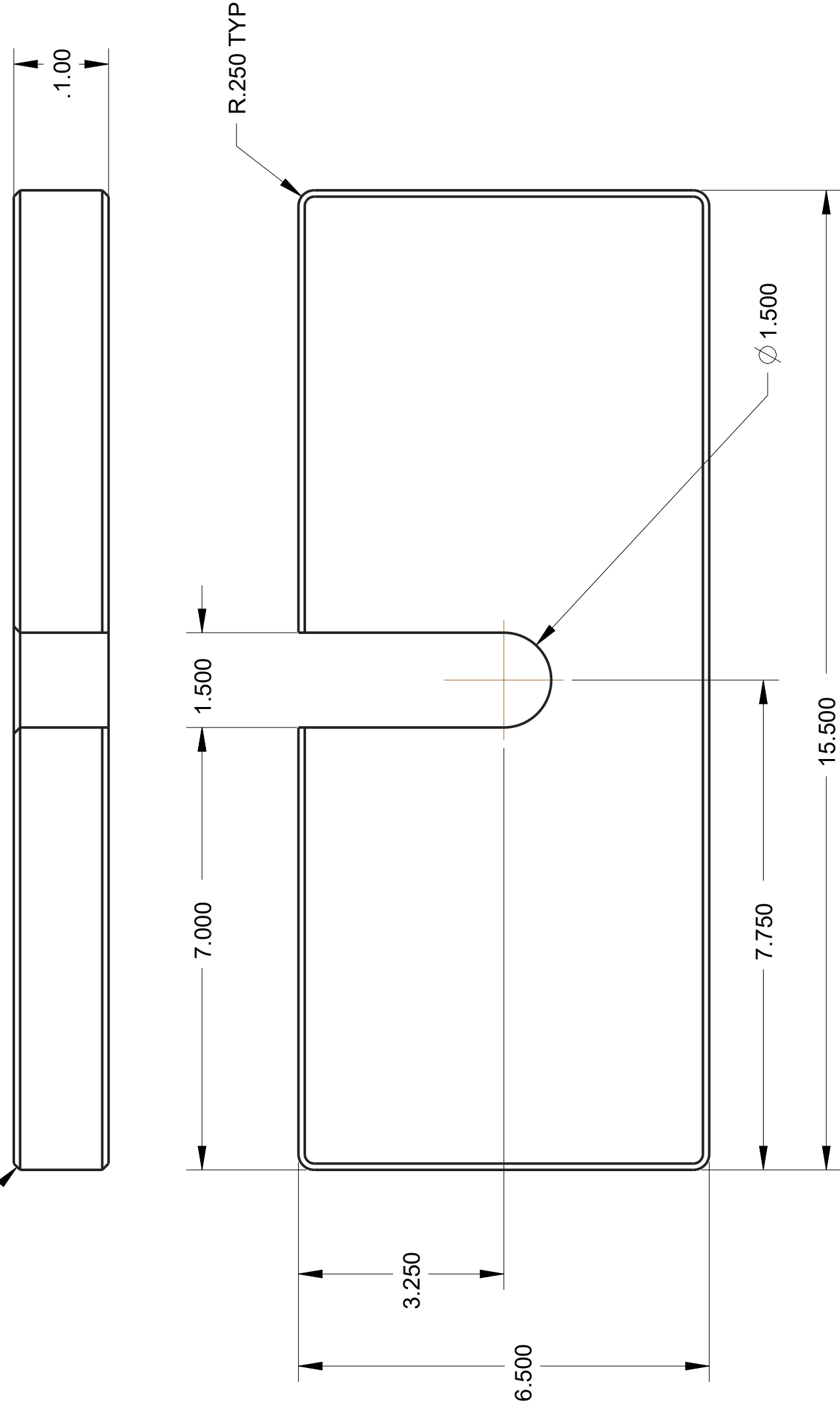
2

1

NOTES:

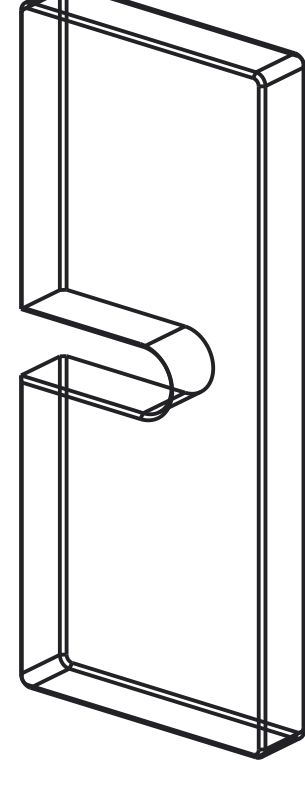
- 1. INTERPRET THIS DRAWING PER DOD-D-1000 AND DOD-STD-100
- 2. INTERPRET DIMENSIONS AND TOLERANCES PER ANSI Y14.5 (LATEST REVISION AT TIME OF DRAWING RELEASE)
- 3. REMOVE ALL BURRS AND SHARP EDGES
- 4. SURFACE ROUGHNESS OF 63 MICROINCHES
- 5. NO FIOS REQUIRED
- 6. NO DEVIATIONS WITHOUT APPROVAL OF TPE
- 7. ALL FASTENERS ARE CONSIDERED NON SAFETY CRITICAL AND SHALL MEET THE MOST CURRENT REVISION OF: ASME B18.3, A574, A835, ASTM F912 AS APPROPRIATE, UNLESS OTHERWISE NOTED.

REMOVE SHARP EDGES



- 1 WEIGHT PLATE 1.00" (10 REQ'D.) SHOWN
- 2 WEIGHT PLATE .75" (270 REQ'D.)
- 3 WEIGHT PLATE .50" (10 REQ'D.)
- 4 WEIGHT PLATE .25" (10 REQ'D.)

SCALE 1/2



ISO VIEW

SCALE 1/4

CAGE NO. 25305

DWG. NO. 1299647

REV. 1

DATE

APPROVED

REVISIONS

DESCRIPTION

DATE

APPROVED

D

C

B

A

QTY REQ'D	CAGE CODE	PART OR IDENTIFYING NO.	NOMENCLATURE DESCRIPTION	MATERIAL SPECIFICATION	ITEM NO.
10		-4	WEIGHT PLATE .25"	STEEL	4
10		-3	WEIGHT PLATE .50"	STEEL	3
270		-2	WEIGHT PLATE .75"	STEEL	2
10		-1	WEIGHT PLATE 1"	STEEL	1

UNLESS OTHERWISE SPECIFIED DIMENSIONS ARE IN INCHES		CONTRACT NO.	
DECIMALS	.0006		
FRACTIONS	1/16		
ANGULAR	.X: 0.1		
TREATMENT	NO NOT SCALE DRAWING	APPROVALS	DATE
FINISH	N.A.	DRAWN	2/24/2020
SIMILAR TO	N.A.	CHECKED	
SPECIAL MARKING BY		DESIGNER	
		LEAD ENGR.	2/24/20
		BRANCH	

TITLE WEIGHTS PLATES

STRAP CREEP TEST

NEXT STEP 2

SIZE	CAGE CODE	DWG. NO.	REV.
D	25305	1299647	-
SCALE	1/2	SHEET	1 OF 1

A

NATIONAL AERONAUTICS & SPACE ADMINISTRATION

LANGLEY RESEARCH CENTER

HAMPTON, VA 23681-0001

8

7

6

5

4

3

2

1